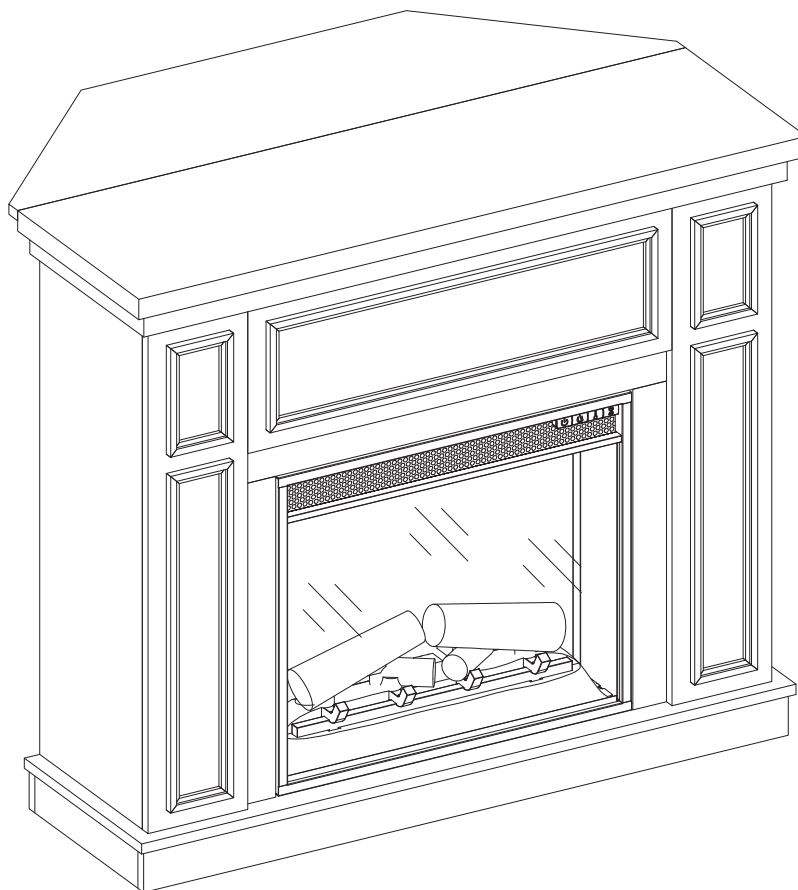


# HOME DECORATORS COLLECTION

XXX XXX/82339/23DM1864-PC72  
XXX XXX/82636/23DM1864-PG116  
XXX XXX/82629/23DM1864-PHT163

## USE AND CARE GUIDE

### GRANVILLE ELECTRIC FIREPLACE



Questions, problems, missing parts? Before returning to the store,  
call Home Decorators Collection Customer Service  
8 a.m. - 6 p.m., EST, Monday - Friday

**1-800-986-3460**

**[HOMEDEPOT.COM/HOMEDECORATORS](http://HOMEDEPOT.COM/HOMEDECORATORS)**

---

#### THANK YOU

*We appreciate the trust and confidence you have placed in Home Decorators through the purchase of this electric fireplace. We strive to continually create quality products designed to enhance your home. Visit us online to see our full line of products available for your home improvement needs. Thank you for choosing Home Decorators Collection!*

# Table of Contents

---

<b>Maximum Load Warning</b> .....	<b>2</b>	<b>Package Contents</b> .....	<b>6</b>
<b>Safety Information</b> .....	<b>3</b>	<b>Assembly</b> .....	<b>7</b>
<b>Warranty</b> .....	<b>4</b>	<b>Operation</b> .....	<b>12</b>
<b>Pre-Assembly</b> .....	<b>5</b>	<b>FCC/ICC Information</b> .....	<b>14</b>
<b>Hardware Included</b> .....	<b>5</b>	<b>Care &amp; Cleaning</b> .....	<b>14</b>
<b>Product Specifications</b> .....	<b>5</b>	<b>Troubleshooting</b> .....	<b>15</b>
<b>Planning Assembly</b> .....	<b>5</b>	<b>Replacement Parts</b> .....	<b>16</b>
<b>Tools Required</b> .....	<b>5</b>		

# Safety Information

## Important Safety Instructions

Please read and understand this entire manual before attempting to assemble, operate or install the product. If you have any questions regarding the product, please call customer service at 1-800-986-3460, 8 a.m.-6 p.m., EST, Monday-Friday.

When using electrical appliances, always follow basic precautions to reduce the risk of fire, electrical shock, and injury to persons, including the following:

1. Read all instructions before using this appliance.
2. If possible, always unplug this appliance when not in use.
3. Only a qualified service person should repair this product.
4. Do not use outdoors.
5. Do not cover the cord under carpeting. Do not cover with throw rugs, runners or the like. Arrange the cord away from traffic areas and where it will not be tripped over.
6. To disconnect this appliance, turn the controls to the "off" position, and then remove the plug from the outlet.
7. This heater is for use on 120 volts. This product is equipped with a polarized plug (one blade is wider than the other blade). To reduce the risk of electrical shock, this plug will fit into a polarized outlet only one way. This is a safety feature. If you are unable to insert the plug into the electrical outlet, try reversing the plug. If the plug still does not fit, contact a qualified electrician.
8. This appliance, when installed, must be electrically grounded in accordance with local codes or, in the absence of local codes, with the current CSA C22.2 Canadian Electrical Code. For U.S.A. installations, follow local codes and the National Electrical Code, ANSI/NFPA NO.70.
9. There is a thermostat limiter inside the heater. When inner temperature overheating or abnormal heating occurs, the thermostat protective device will cut off the power supply to avoid damage to the fireplace or risk of fire.



**DANGER:** In order to avoid overheating, do not cover the heater.



**WARNING:** Do not use surge protectors or extension cords with this product.



**WARNING:** If the supply cord is damaged, it must be replaced by the manufacturer, its service agent or similarly qualified persons in order to avoid a hazard.



**WARNING:** This appliance is hot when in use. To avoid burns, do not touch hot surfaces with bare skin. If provided, use handles when moving this appliance. Keep combustible materials, such as furniture, pillows, bedding, papers, clothes and curtains at least 3 ft. (0.9 m) from the front of this appliance.



**WARNING:** Under no circumstances should this fireplace be modified. Parts that must be removed for servicing must be replaced prior to operating this fireplace again.



**WARNING:** This appliance is not a toy. Supervise children playing near it.



**WARNING:** Use extreme caution when operating heater near children and the disabled.



**WARNING:** This heater is not intended for use in bathrooms, laundry areas and similar indoor locations. Never locate this appliance where it may fall into a bathtub or other water container.



**WARNING:** Do not insert or allow foreign objects to enter any ventilation or exhaust opening as this may cause an electric shock or fire, or damage the appliance.



**WARNING:** To prevent a possible fire, do not block air intakes or exhaust in any manner. Do not use on soft surfaces, like a bed, where the opening may become blocked.



**WARNING:** Use this appliance only as described in the manual. Any other use not recommended by the manufacturer may cause fire, electric shock or injury to persons.



**CAUTION:** Never leave the heater operating unattended. Extreme caution is necessary if children or invalids are nearby.



**NOTE:** To avoid injury from unexpected starting or electrical shock, do not plug the power cord into a source of power during unpacking and assembly. The cord must remain unplugged whenever you are adjusting/assembling the fireplace.

If any part is missing or damaged, do not attempt to use or plug in the power cord until the missing or damaged part is correctly replaced. To avoid electric shock, use only identical replacement parts when servicing double-insulated tools.



**NOTE:**  
**SAVE THESE INSTRUCTIONS**

# Warranty

---

**1 Year Limited Warranty:** The manufacturer warrants this product to be free from manufacturing and material defects for a period of one year from date of purchase, subject to the following conditions and limitations:

1. Install and operate this Electric Fireplace in accordance with the installation and operating instructions furnished with the product at all times. Any unauthorized repair, alteration, willful abuse, accident, or misuse of the product shall nullify this warranty.
2. This warranty is non-transferable and is made to the original owner, provided that the purchase was made through an authorized supplier of the product.
3. The warranty is limited to the repair or replacement of part(s) found to be defective in material or workmanship, provided that such part(s) have been subjected to normal conditions of use and service, after said defect is confirmed by the manufacturer's inspection.
4. The manufacturer may, at its discretion, fully discharge all obligations with respect to this warranty by refunding the wholesale price of the defective part(s).
5. Any installation, labor, construction, transportation, or other related costs/expenses arising from defective part(s), repair, replacement, or otherwise of same, will not be covered by this warranty, nor shall the manufacturer assume responsibility for same.
6. The owner/user assumes all other risks, if any, including the risk of any direct, indirect or consequential loss or damage arising out of the use, or inability to use the product, except as provided by law.
7. All other warranties – expressed or implied – with respect to the product, its components and accessories, or any obligations/liabilities on the part of the manufacturer are hereby expressly excluded.
8. The manufacturer neither assumes, nor authorizes any third party to assume on its behalf, any other liabilities with respect to the sale of the product.
9. The warranties as outlined within this document do not apply to non accessories used in conjunction with the installation of this product.
10. This warranty gives you specific legal rights, and you may also have other rights which vary from state to state.

This warranty is void if:

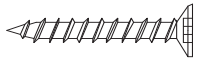
- a. The fireplace is subjected to prolonged periods of dampness or condensation.
- b. There has been unauthorized alteration, willful abuse, accident, or misuse of the product.
- c. You do not have the original receipt of purchase.

## **IF WARRANTY SERVICE IS NEEDED**

Contact the manufacturer by calling customer service department at 1-800-986-3460, 8 a.m.-6 p.m., EST, Monday-Friday. Make sure you have your warranty, your sales receipt, location of purchase and the model/serial number of your product.

# Pre-Assembly

## HARDWARE INCLUDED



AA



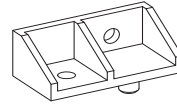
BB



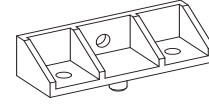
CC



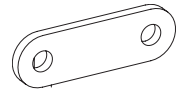
DD



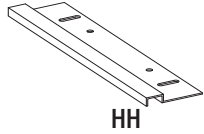
EE



FF



GG



HH



II



JJ

Part	Description	Part Number	Quantity
AA	Flat Head Screw	N/A	5
BB	Wood Dowel	PH-DWLNTL002	16
CC	Screw	N/A	2
DD	Bolt	PH-BLTBLK002	21
EE	2 Hole Plastic Connector	PH-PCBBLK001	6
FF	3 Hole Plastic Connector	PH-PCBBLK002	15
GG	Connection Plate (pre-attached)	PH-PLTBLK002	2
HH	Bracket (pre-attached)	PH-BKTZNC001	2
II	Floor Glide (pre-attached)	PH-GLDBRW001	5
JJ	Touch-up Pen	N/A	1



**NOTE:** Hardware not shown to actual size.

## PRODUCT SPECIFICATIONS

Voltage	120 V, 60 Hz
Amps (with heater)	11.7 Amps
Amps (without heater)	< 0.1 Amps
Watts (with heater)	1400 Watts
Watts (without heater)	< 10 Watts

## PLANNING ASSEMBLY

Before beginning assembly of product, make sure all parts are present. Compare parts with Hardware Included and Package Contents lists. If any part is missing or damaged, do not attempt to assemble, install or operate the product. Contact customer service for replacement parts.

Estimated Assembly Time: 60 Minutes

## TOOLS REQUIRED



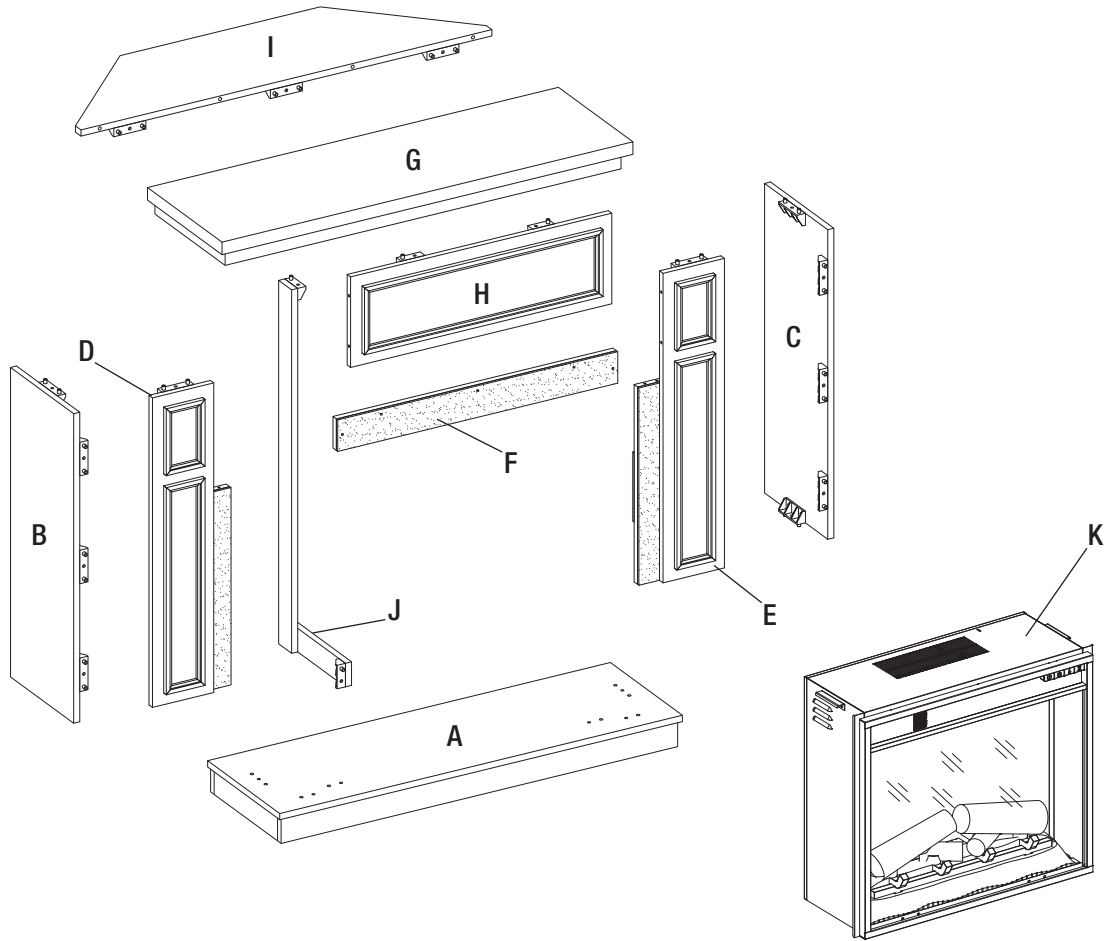
Phillips Screwdriver

# Pre-Assembly (continued)

## PACKAGE CONTENTS



**NOTE:** All panels are labeled left and right as viewed from the front of unit.

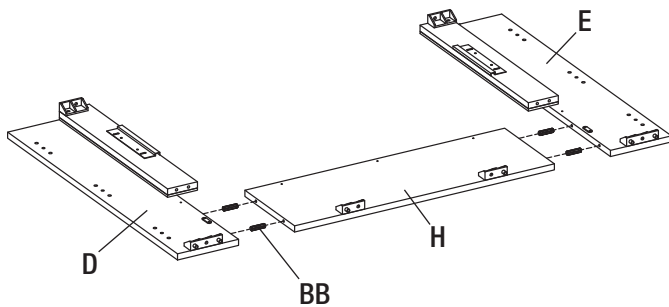


Part	Description	Quantity
A	Base	1
B	Left Side Panel	1
C	Right Side Panel	1
D	Left Front Panel	1
E	Right Front Panel	1
F	Center Front Panel	1
G	Top	1
H	Center Decorative Panel	1
I	Top Corner Extension	1
J	"L" Corner Brace	1
K	Fireplace Insert 23EF031GRA	1

# Assembly

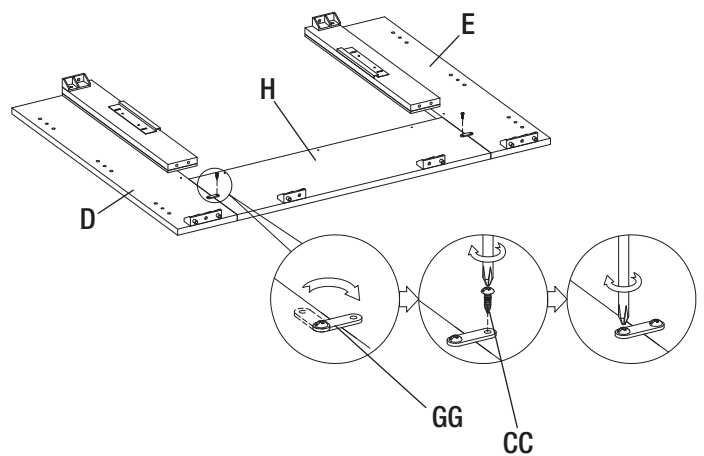
## 1 Assembling the Center Panel

- Locate the Left Front Panel (D), Right Front Panel (E), Center Decorative Panel (H), and set out face down on a scratch-free surface.
- Insert Wood Dowels (BB) into the holes in the Center Decorative Panel (H) and align with the holes in the Left Front Panel (D) and Right Front Panel (E).



## 2 Assembling the Center Panel

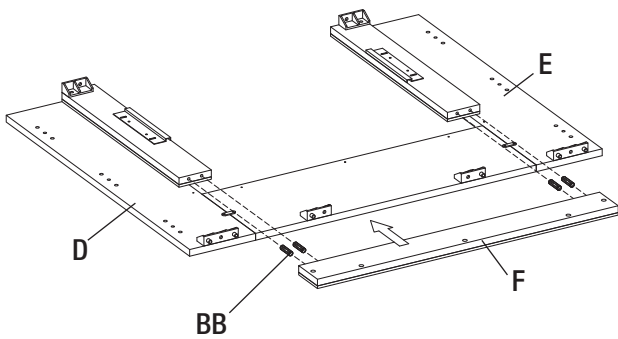
- Push the Left Front Panel (D) and Right Front Panel (E) snug to the Center Decorative Panel (H).
- Connect the Left Front Panel (D), Right Front Panel (E) and Center Decorative Panel (H) with Connection Plates (GG), and tighten the Screws (CC) into the pre-drilled holes.



# Assembly (continued)

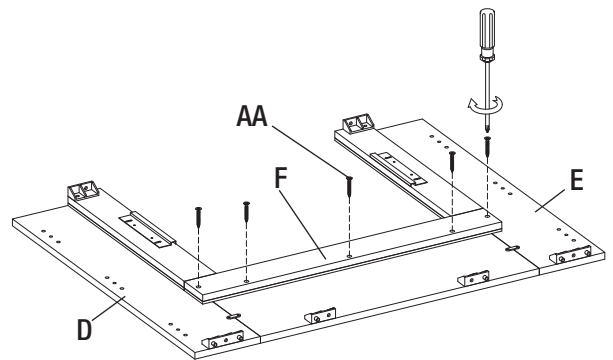
## 3 Attaching the Center Front Panel

- Insert Wood Dowels (BB) into the pre-drilled holes in the Center Front Panel (F).
- Push the Center Front Panel (F) snug to the Left Front Panel (D) and Right Front Panel (E).



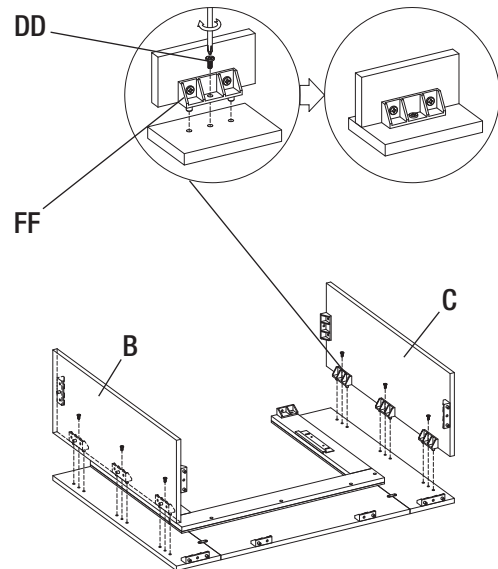
## 4 Attaching the Center Front Panel

- Attach the Center Front Panel (F) to the completed assembly from Step 3, using Flat Head Screws (AA) through pre-drilled holes in the Center Front Panel (F).



## 5 Attaching the Side Panels

- Attach the Left Side Panel (B) and Right Side Panel (C) to the completed assembly from Step 4 using Bolts (DD) through the holes in the Plastic Connection Blocks (FF) and tighten.

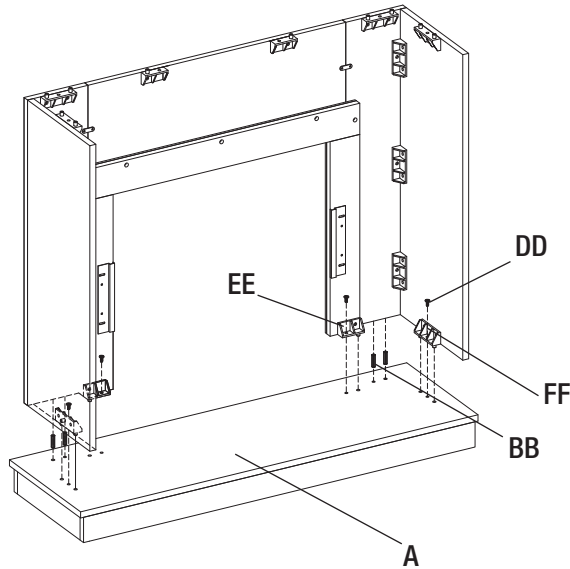




# Assembly (continued)

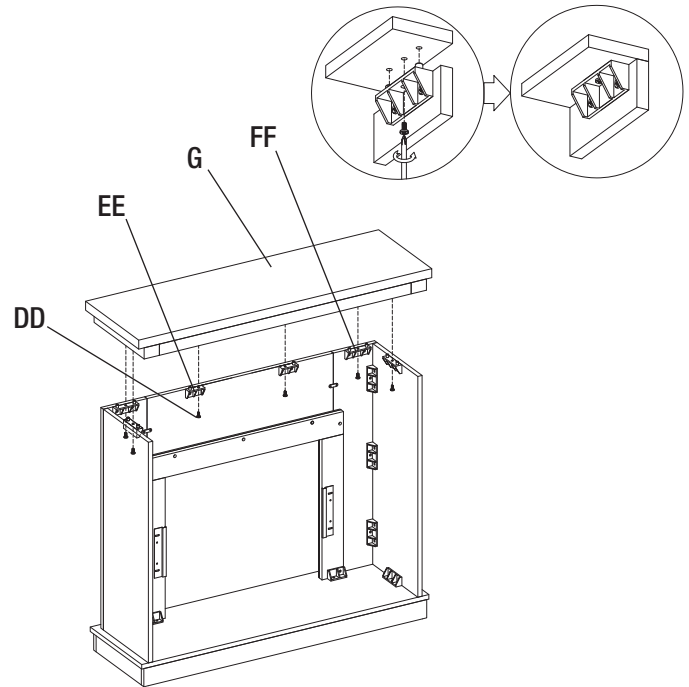
## 6 Attaching the Base

- Insert Wood Dowels (BB) into the pre-drilled holes in the Base (A).
- Attach the completed assembly from Step 5 to the Base (A), by inserting Bolts (DD) through the holes in the Plastic Connectors (EE and FF) and tighten.



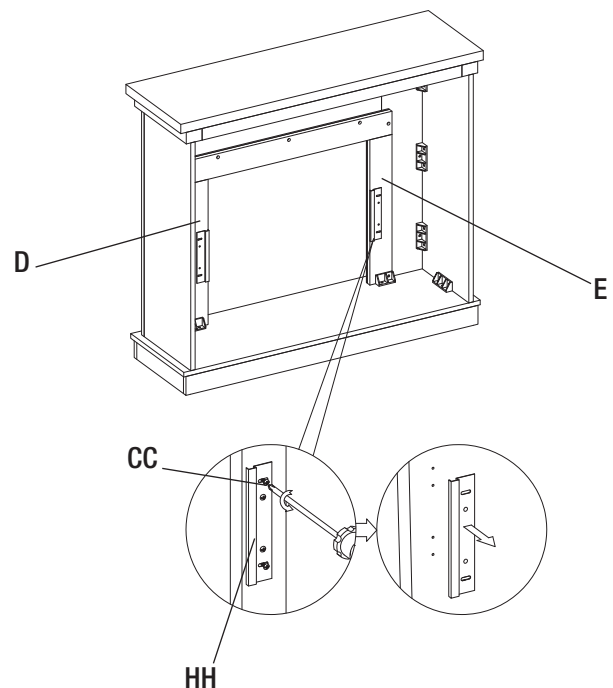
## 7 Attaching the Top

- Attach the Top (G) to the completed assembly from Step 6 by inserting Bolts (DD) through the holes in the Plastic Connectors (EE and FF).



## 8 Removing the Insert Mounting Brackets

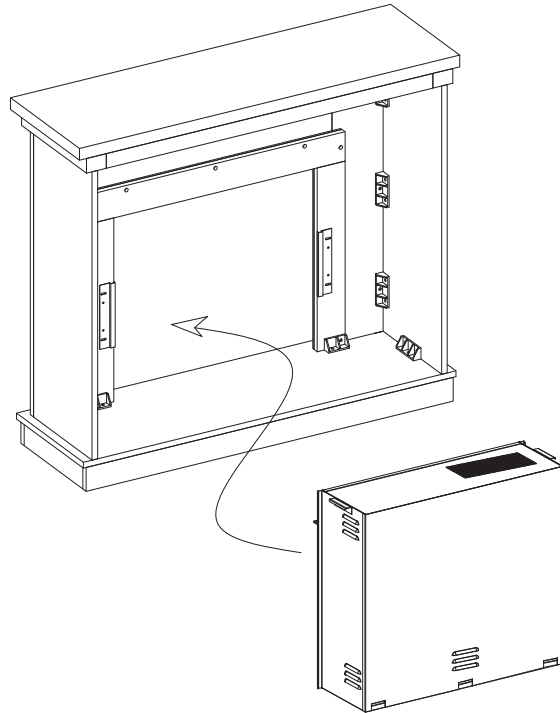
- Loosen the preattached screws (CC) and remove the two Mounting Brackets (HH) attached to the back of the Left and Right Front Panels (D and E).



## Assembly (continued)

### 9 Installing the Fireplace Insert

- Lift the fireplace insert carefully into the back of the unit and center in the insert in the opening. Do not drag the insert across the Hearth/Base (A) as it may scratch your unit.



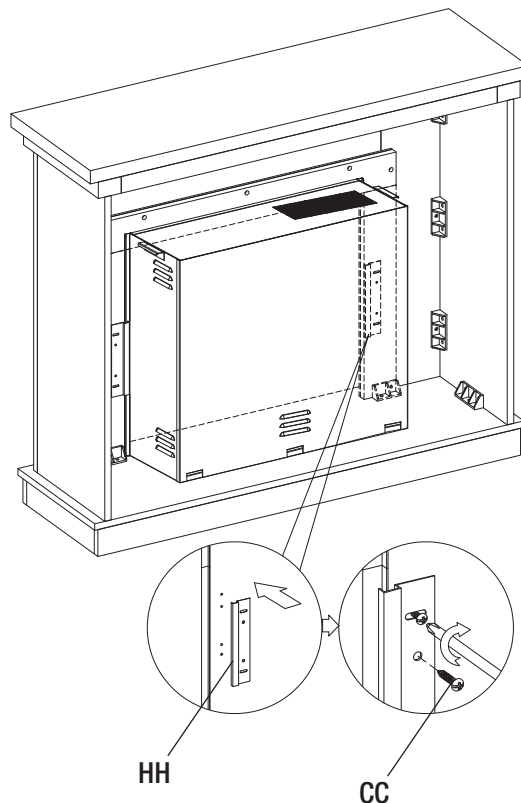
Electric  
Fireplace Insert



**NOTE:** Please read all “electric fireplace insert” instructions prior to installing the electric insert in your completed fireplace mantel. Install the insert in your fireplace close to its final position.

### 10 Securing the Insert

- Replace the two Mounting Brackets (HH) and secure the insert in place by tightening the Mounting Bracket Screws (CC). Ensure the insert is securely in place.



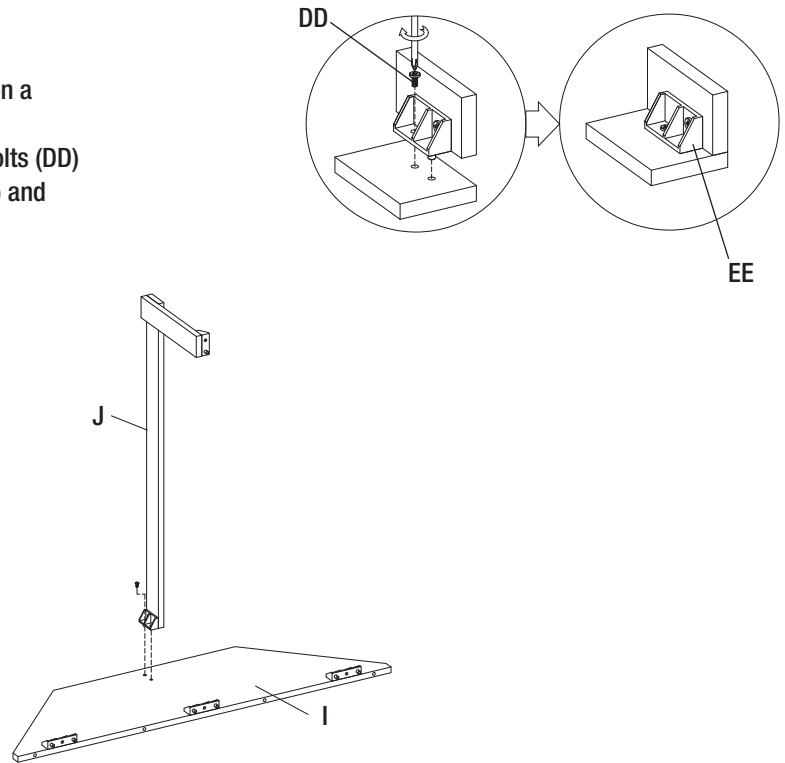
HH

CC

## Assembly (continued)

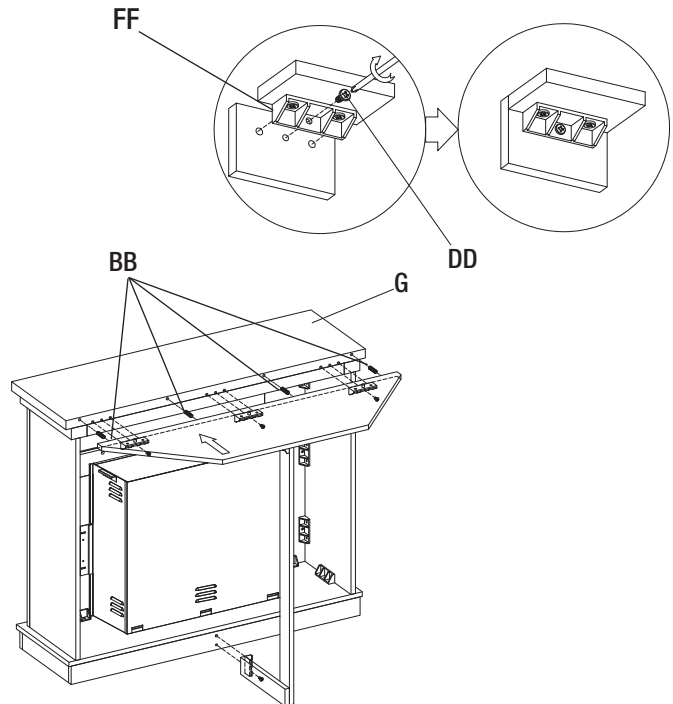
### 11 Attaching the L Corner Brace

- Place the Top Corner Extension (I) face down on a scratch-free surface.
- Attach the "L" Corner Brace (J) by inserting Bolts (DD) through the holes in the Plastic Connector (EE) and tighten.



### 12 Attaching the Top Corner Extension

- Insert Wood Dowels (BB) into the holes in the back of the Top (G).
- Move the completed assembly from step 11 into place at the back of the mantel.
- Use a Phillips Head Screwdriver to tighten Bolts (DD) through the Plastic Connectors (EE and FF).



**NOTE:** Use great care to move your completed unit. Move it only short distances, and use two people to move it into its final position.

# Operation



**NOTE:** The control panel can be accessed at the upper-right corner of the insert. When a function is changed from the control panel or remote control there will be a corresponding indicator (see Figure 1) on the upper-right of the projection screen. The indicator shows the function changed and the level selected by the control panel or remote control. When the function is turned off, the corresponding indicator will flash several times and then fade off.



Fig . 1

## 1 Powering the Fireplace

- Push the Power button to supply power to all functions of the fireplace and put the insert in a standby mode.
- Push the Power button again to turn off all functions.



**NOTE:** All previous settings are held in memory, so the next time you power up the fireplace, the unit will turn on with the same settings.



**NOTE:** Holding the Power button on the control panel for 10 seconds will disable the heater function.



## 2 Adjusting the Spectrafire Color

- There are 5 unique Spectrafire flame effects that can be selected.
  - 1: Spectrafire
  - 2: Sapphire
  - 3: Amethyst
  - 4: Campfire
  - 5: Midnight Fire
- AU: Auto Cycle which will automatically fade in and fade out a new color flame effect periodically.



## 3 Adjusting the Heater

- Press the Heater button to set the thermostat. Your fireplace consists of a fan-forced wire-element-type heater. The thermostat setting range is 62°F - 82°F or 17°C - 27°C or always ON. This button on the remote control only turns ON and OFF the heater function.



**NOTE:** To change between °F and °C press and hold the Heater button on the control panel for 3 seconds.



## 4 Adjusting the Spectrafire Intensity

- The intensity is only adjustable from the remote control. Each Spectrafire flame color option has 5 intensity options available.



## 5 Adjusting the Spectrafire Speed

- The flame speed is only adjustable from the remote control. Each Spectrafire flame color option has speed options available. Setting 1 is slowest ranging up to setting 5 which is the fastest.



## 6 Setting the Timer

- Press the Timer button to cycle through the 10 timer settings (30 minutes, 1 Hour, 2H, 3H, 4H, 5H, 6H, 7H, 8H and 9H) and the OFF setting.



## Operation (continued)

### 7 Replacing the Remote Control Battery

- When the remote control stops operating or its range seems reduced, it is time to replace the batteries with new ones.
- On the back end of the remote, press and slide the battery door open and remove the old batteries.
- Insert 2 AAA batteries, checking that the + and - sides of the batteries match inside the battery compartment.
- Replace the battery compartment door.



**NOTE:** Do not mix old and new batteries. Do not mix alkaline, standard (carbonzinc), or rechargeable (nicad, nimh, etc) batteries.



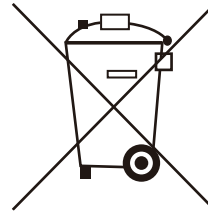
**NOTE:** Please operate the remote control at a slow measured pace. Press the remote control buttons with an even motion and gentle pressure. Repeatedly pressing buttons in rapid succession may cause the transmitter to malfunction.



**NOTE:** Batteries should be removed if the product is to be left unused for a long time.

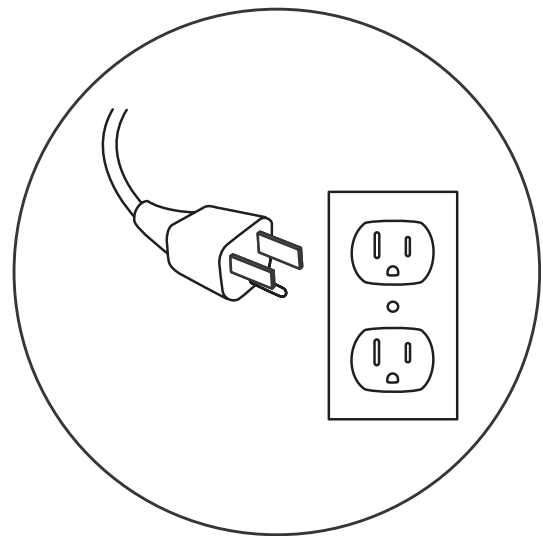
### 8 Disposing of Used Batteries

- The battery may contain hazardous substances that could endanger the environment and human health.
- This symbol marked on the battery and/or packaging indicates that used battery shall not be treated as municipal waste. Instead it shall be left at the appropriate collection point for recycling.
- By correctly disposing of used batteries, you prevent potential negative consequences for the environment and human health. Recycling used materials also conserves natural resources.
- For more information about collecting and recycling used batteries, please contact your local municipality, your waste disposal service or the point of sale where you purchased this product.



### 9 Power Cord Information

- This heater is for use on 120 volts. The cord has a plug as shown in the figure.
- Connect to properly grounded outlets only.
- Do not use a 2 prong adapter. Never use with an extension cord or relocatable power tap (outlet/power strip).



## FCC/IC Information

This equipment has been tested and found to comply with the limits for Class B digital device, pursuant to part 15 of the FCC Rules. These limits are designed to provide reasonable protection against harmful interference in a residential installation. This equipment generates, uses, and can radiate radio frequency energy and, if not installed and used in accordance with the instructions, may cause harmful interference to radio or television reception, which can be determined by turning the equipment off and on. The user is encouraged to try to correct the interference by one or more of the following measures:

- Reorient or relocate the receiving antenna.
- Increase the separation between the equipment and the receiver.
- Connect the equipment into an outlet on a circuit different from that to which the receiver is connected.
- Consult the dealer or an experienced radio/TV technician for help.

This device complies with Part 15 of the FCC Rules. Operation is subject to the following two conditions:

(1) This device may not cause harmful interference, and

(2) this device must accept any interference received, including interference that may cause undesired operation.

Modifications not approved by the party responsible for compliance could void user's authority to operate the equipment.

This Class B digital apparatus complies with Canadian ICES-003.

## Care and Cleaning

- Dust your fireplace regularly with a soft non-lint-producing cloth or household dusting product.
- Clean your fireplace with a gentle non-abrasive household cleaner. Dry your fireplace immediately with a soft cloth or towel.
- Tips for using touch-up pen (ZZ): For scratches, stroke in direction of scratch. For worn areas, stroke in direction of wood grain. Rub excess colorant promptly with a soft cloth.
- The motors used on the fan and the flame generator assembly are pre-lubricated for extended bearing life and require no further lubrication. However, we recommend periodic cleaning/vacuuming of the fan/heater.
- Make sure the unit is turned OFF and unplugged whenever you are cleaning the heater or fireplace.



**WARNING:** Make sure the power is turned off before proceeding with repairs. Any electrical repairs or rewiring of this unit should be carried out by a licensed electrician in accordance with national and local codes. If repairing or replacing any electrical component or wiring, the original wire routing, color coding and securing locations must be followed. During any service of this appliance, the power to the unit must be turned off. First turn the main power switch to the OFF position. Then remove the electrical plug from the wall outlet.



**WARNING:** Electrical outlet wiring must comply with local building codes and other applicable regulations to reduce the risk of fire, electrical shock and injury to persons.



**WARNING:** Do not use this fireplace if any part of it has been under water. Immediately call a qualified service technician to inspect the fireplace and replace any part of the electrical system.



**WARNING:** Disconnect power before attempting any maintenance or cleaning to reduce the risk of fire, electrical shock or personal injury.

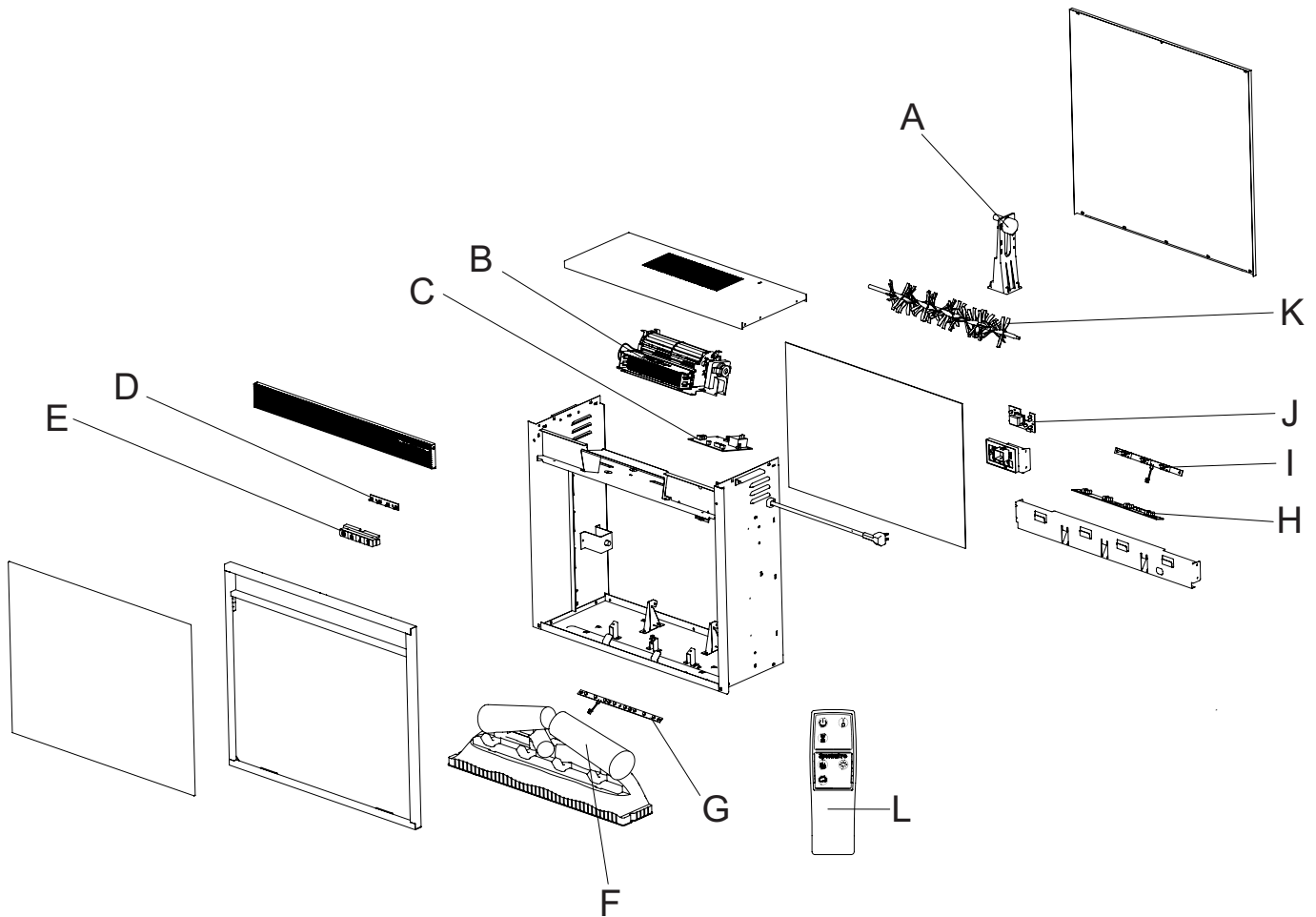
# Troubleshooting

PROBLEM	POSSIBLE CAUSE	CORRECTIVE ACTION
The display shows "E1".	The thermostat sensor is broken or disconnected.	Unplug the fireplace, remove the back panel of the fireplace and check that the thermostat is plugged into the main circuit board. If this does not solve the problem contact customer service for a replacement thermostat sensor.
The display shows "E2".	The thermostat sensor is broken.	Contact customer service for a replacement thermostat sensor.
The display shows "E3".	Manual Reset overheat protection has triggered.	Inspect the heater and check that the air inlets and outlets are not blocked as this may cause overheating. Unplug the heater for 30 minutes and allow it to cool down. Replug, operate, and monitor the heater for signs of overheating. If the problem persists discontinue use of the heater and contact customer service.
There is no power and the logs do not glow.	There is no power to the unit.	Check that the unit is plugged into a standard 120V outlet. Press the Power button several times and make sure power is set to the "ON" position.
The heater does not blow warm air.	The heater is in a cool down cycle.	Normal operation will continue to run for several minutes before shutting down. Times will vary based on temperatures. During this time cool air will blow.
The power cord gets warm.	This is normal operation.	Check your heater cord and plug connections. Faulty wall outlet connections or loose plugs can cause the outlet or plug to overheat. Be sure the plug fits tight in the outlet. Heaters draw more current than small appliances, overheating of the outlet may occur even if it has not occurred with the use of other appliances. During use check frequently to determine if your plug outlet or faceplate is HOT! If so, discontinue use of the heater and have a qualified electrician check and/or replace the faulty outlet(s).
The heater does not blow warm air.	The thermostat setting is preventing the heater from turning on.	Adjust the temperature settings to ensure that the thermostat is set higher than the current room temperature.
The heater does not work, but Power and Heater settings are "ON" and the thermostat is set.	Manual reset overheat protection triggered.	Turn the Power to "OFF" and unplug the unit from the wall outlet for 5 minutes. After 5 minutes plug the unit back into the wall outlet, and operate as normal. If the problem persists contact customer service.
The flame effect works but the heater function does not and the ember bed flashes when the Heater button is pressed.	The heater is disabled.	With the power on press and hold the Power button on the control panel for 10 seconds. Once re-enabled the ember bed lights will flash multiple times.
The remote control is not working.	There are no batteries or the signal is poor.	Change the remote batteries.  Operate the remote control at a slow measured pace. Press the remote control buttons with an even motion and gentle pressure. Repeatedly pressing buttons in rapid succession may cause the transmitter to malfunction.

# Replacement Parts

For replacement parts, call our customer service department at 1-800-986-3460, 8 a.m.-6 p.m., EST, Monday-Friday.

Part	Description	Qty
A	Flame Generator Drive Motor	1
B	Heater / Blower Assembly	1
C	Main Circuit Board	1
D	Control Panel Circuit Board	1
E	Control Panel Buttons	1
F	Emberbed with Log	1
G	Emberbed Light Board	1
H	Flame Circuit Board	1
I	Spectrafire Flame Board	1
J	LCD Display	1
K	Flame Generator / Spinner	1
L	Remote Control	1





# HOME DECORATORS COLLECTION

Questions, problems, missing parts? Before returning to the store call  
Home Depot Customer Service  
8 a.m. - 6 p.m., EST, Monday-Friday

1-800-986-3460

[HOMEDEPOT.COM/HOMEDECORATORS](https://www.homedepot.com/homedecorators)

RETAIN THIS MANUAL FOR FUTURE USE.

## Free Manuals Download Website

<http://myh66.com>

<http://usermanuals.us>

<http://www.somanuals.com>

<http://www.4manuals.cc>

<http://www.manual-lib.com>

<http://www.404manual.com>

<http://www.luxmanual.com>

<http://aubethermostatmanual.com>

Golf course search by state

<http://golfingnear.com>

Email search by domain

<http://emailbydomain.com>

Auto manuals search

<http://auto.somanuals.com>

TV manuals search

<http://tv.somanuals.com>