



**User Manual**

# **IDK-1121WR-30FHA1E**

**TFT-LCD 21.5" FHD (LED  
Backlight)**

**ADVANTECH**

*Enabling an Intelligent Planet*

---

## Copyright

The documentation and the software included with this product are copyrighted 2013 by Advantech Co., Ltd. All rights are reserved. Advantech Co., Ltd. reserves the right to make improvements in the products described in this manual at any time without notice. No part of this manual may be reproduced, copied, translated or transmitted in any form or by any means without the prior written permission of Advantech Co., Ltd. Information provided in this manual is intended to be accurate and reliable. However, Advantech Co., Ltd. assumes no responsibility for its use, nor for any infringements of the rights of third parties, which may result from its use.

## Acknowledgements

AMI is a trademark of American Megatrends Inc.

IBM and PC are trademarks of International Business Machines Corporation.

Intel® Core 2 Quad, Pentium Dual Core and Celeron are trademarks of Intel Corporation.

WinBond is a trademark of Winbond Corporation.

All other product names or trademarks are properties of their respective owners.

# A Message to the Customer

## Advantech Customer Services

Each and every Advantech product is built to the most exacting specifications to ensure reliable performance in the harsh and demanding conditions typical of industrial environments. Whether your new Advantech equipment is destined for the laboratory or the factory floor, you can be assured that your product will provide the reliability and ease of operation for which the name Advantech has come to be known.

Your satisfaction is our primary concern. Here is a guide to Advantech's customer services. To ensure you get the full benefit of our services, please follow the instructions below carefully.

## Technical Support

We want you to get the maximum performance from your products. So if you run into technical difficulties, we are here to help. For the most frequently asked questions, you can easily find answers in your product documentation. These answers are normally a lot more detailed than the ones we can give over the phone.

So please consult this manual first. If you still cannot find the answer, gather all the information or questions that apply to your problem, and with the product close at hand, call your dealer. Our dealers are well trained and ready to give you the support you need to get the most from your Advantech products. In fact, most problems reported are minor and are able to be easily solved over the phone.

In addition, free technical support is available from Advantech engineers every business day. We are always ready to give advice on application requirements or specific information on the installation and operation of any of our products.

---

## Product Warranty (2 years)

Advantech warrants to you, the original purchaser, that each of its products will be free from defects in materials and workmanship for two years from the date of purchase.

This warranty does not apply to any products which have been repaired or altered by persons other than repair personnel authorized by Advantech, or which have been subject to misuse, abuse, accident or improper installation. Advantech assumes no liability under the terms of this warranty as a consequence of such events.

Because of Advantech's high quality-control standards and rigorous testing, most of our customers never need to use our repair service. If an Advantech product is defective, it will be repaired or replaced at no charge during the warranty period. For out-of-warranty repairs, you will be billed according to the cost of replacement materials, service time and freight. Please consult your dealer for more details.

If you think you have a defective product, follow these steps:

1. Collect all the information about the problem encountered. (For example, CPU speed, Advantech products used, other hardware and software used, etc.) Note anything abnormal and list any onscreen messages you get when the problem occurs.
2. Call your dealer and describe the problem. Please have your manual, product, and any helpful information readily available.
3. If your product is diagnosed as defective, obtain an RMA (return merchandise authorization) number from your dealer. This allows us to process your return more quickly.
4. Carefully pack the defective product, a fully-completed Repair and Replacement Order Card and a photocopy proof of purchase date (such as your sales receipt) in a shippable container. A product returned without proof of the purchase date is not eligible for warranty service.
5. Write the RMA number visibly on the outside of the package and ship it prepaid to your dealer.

# Contents

<b>Chapter 1</b>	<b>Overview.....</b>	<b>1</b>
1.1	General Description .....	2
1.2	Display Characteristics.....	2
	Table 1.1: Display Characteristics .....	2
1.3	Optical Characteristics .....	3
	Table 1.2: Display Characteristics .....	3
1.4	Functional Block Diagram .....	5
	Figure 1.1 Function block diagram .....	5
1.5	Absolute Maximum Ratings .....	6
	1.5.1 TFT LCD Module .....	6
	1.5.2 Backlight Unit.....	6
	1.5.3 Absolute Ratings of Environment.....	6
1.6	Outline Dimension.....	7
	1.6.1 IDK-1121WR-30FHA1E.....	7
<b>Chapter 2</b>	<b>Electrical Characteristics.....</b>	<b>9</b>
2.1	TFT LCD Power Consumption .....	10
	Table 2.1: Power specification.....	10
2.1.1	Signal Electrical Characteristics.....	11
	Table 2.2: Signal electrical characteristics .....	11
2.2	Backlight Driving Conditions .....	11
	Table 2.3: Backlight driving conditions .....	11
<b>Chapter 3</b>	<b>Signal Characteristics.....</b>	<b>13</b>
3.1	Pixel Format Image .....	14
3.2	Pin Description .....	14
	Table 3.1: Pin Description .....	14
3.3	The Input Data Format .....	16
3.4	Interface Timing .....	17
	3.4.1 Timing Characteristics .....	17
	3.4.2 Input Timing Diagram.....	17
3.5	Power ON/OFF Sequence .....	18
<b>Chapter 4</b>	<b>Connector &amp; Pin Assignment.....</b>	<b>19</b>
4.1	TFT LCD Module.....	20
	4.1.1 Connector .....	20
	Table 4.1: Connector .....	20
	4.1.2 Pin Assignment.....	20
	Table 4.2: Pin Assignment.....	20
4.2	Backlight Unit .....	20
	4.2.1 Signal for LED light bar connector .....	20
	Figure 4.1 .....	21
<b>Chapter 5</b>	<b>Touch Screen &amp; Touch Controller ...</b>	<b>23</b>
5.1	Touch Screen.....	24
	5.1.1 Touch Characteristics .....	24
	5.1.2 Optical Characteristics .....	24

	5.1.3	Environment Characteristics.....	24
	5.1.4	Mechanical Characteristics.....	24
	5.1.5	Electronic Characteristics .....	24
	5.1.6	General specification .....	25
5.2		Touch controller .....	25
	5.2.1	Touch Controller Characteristics .....	25
	5.2.2	Pin Assignment and Description.....	26
		Figure 5.1 Board mounted header.....	27
	5.2.3	Physical dimension .....	28

## **Appendix A Handling Precautions ..... 29**

A.1		Optical Characteristics .....	30
-----	--	-------------------------------	----

# Chapter 1

Overview

## 1.1 General Description

IDK-1121W series is a Color Active Matrix Liquid Crystal Display composed of a TFT-LCD panel, a driver circuit, and backlight system. The screen format is intended to support the FHD (1920(H) x 1080(V)) screen and 16.7M colors (RGB 8-bits data). All input signals are dual LVDS interface. Driver board for the backlight is included.

## 1.2 Display Characteristics

The following are characteristics summary under 25°C condition:

**Table 1.1: Display Characteristics**

Item	Unit	Description
Screen Diagonal	[mm]	546.86(21.53")
Active Area	[mm]	476.64 (H) x 268.11 (V)
Pixels H x V		1920 (x3) x 1080
Pixel Pitch	[um]	248.25 (per one triad) × 248.25
Pixel Arrangement		R.G.B. Vertical Stripe
Display Mode		VA Mode, Normally Black
White Luminance (Center)	[cd/m <sup>2</sup> ]	300 (Typ.)
Contrast Ratio		5000 (Typ.)
Optical Response Time	[msec]	16 ms (Typ., on/off)
Nominal Input Voltage VDD	[Volt]	+5.0 V
Backlight Input Voltage	[Volt]	+12.0 V
Power Consumption	[Watt]	23W (Typ. Cell 3.5 + LED 19.2) (with LED driver board, all white pattern)
Weight	[Grams]	3100 (Typ.)
Physical Size	[mm]	496.5(W) x 292.2(H) x 20.75(D)
Electrical Interface		Dual channel LVDS
Support Color		16.7M colors (RGB 8 bits)
Surface Treatment		Anti-Glare, 3H
Temperature Range		N-series/R series
Operating	[°C]	0 to +60
Storage (Shipping)	[°C]	0 to +60
RoHS Compliance		RoHS Compliance
TCO Compliance		TCO 5.1 Compliance



## 1.3 Optical Characteristics

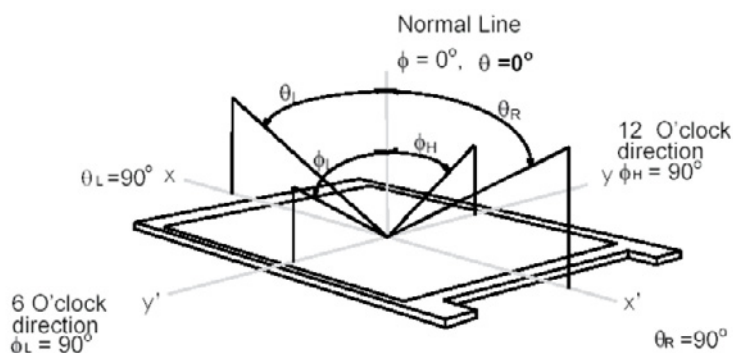
**Table 1.2: Display Characteristics**

Item	Unit	Conditions	Min.	Typ.	Max.	Note
Viewing Angle	[degree]	Horizontal (Right) CR = 10 (Left)	150	178	-	1
		Vertical (Up) CR = 10 (Down)	150	178	-	
Contrast ratio		Normal Direction	3000	5000	-	2
Response Time	[msec]	Raising Time (TrR)	-	10	12	3
		Falling Time (TrF)	-	6	7	
		Raising + Falling	-	16	19	
Color / Chromaticity Coordinates (CIE)		Red x	0.589	0.639	0.689	4
		Red y	0.283	0.333	0.383	
		Green x	0.284	0.334	0.384	
		Green y	0.573	0.623	0.673	
		Blue x	0.105	0.155	0.205	
		Blue y	0.000	0.048	0.098	
Color Coordinates (CIE) White		White x	0.263	0.313	0.363	
		White y	0.279	0.329	0.379	
Central Luminance	[cd/m <sup>2</sup> ]		240	300	-	5
Luminance Uniformity	[%]		75	80	-	6
Crosstalk (in 60Hz)	[%]				1.5	7
Flicker	dB				-20	8

Optical Equipment: BM-7, DT-101, or equivalent

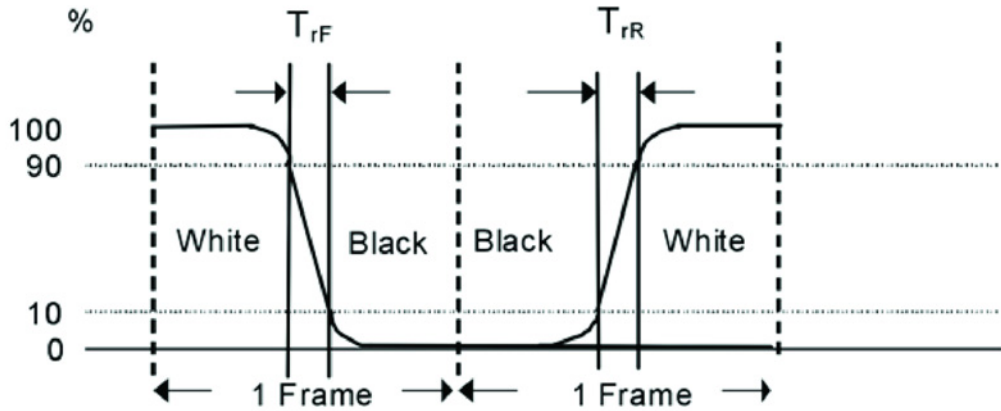
### Note 1: Definition of viewing angle

Viewing angle is the measurement of contrast ratio at the screen center, over a 180° horizontal and 180° vertical range (off-normal viewing angles). The 180° viewing angle range is broken down as below: 90° ( $\theta$ ) horizontal left and right, and 90° ( $\phi$ ) vertical high (up) and low (down). The measurement direction is typically perpendicular to the display surface with the screen rotated to its center to develop the desired measurement viewing angle.



**Note 2: Contrast Ratio** is measured by TOPCON SR-3

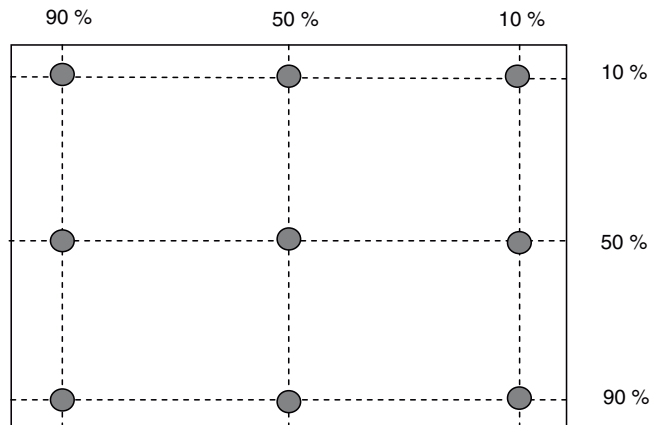
**Note 3: Definition of Response time** measured by Westar TRD-100A The output signals of photo detector are measured when the input signals are changed from “Full Black” to “Full White” (rising time, TrR), and from “Full White” to “Full Black” (falling time, TfF), respectively. The response time is interval between the 10% and 90% (1 frame at 60Hz) or amplitudes. TrR+ TfF = 16msec (typ.).



**Note 4: Color chromaticity and coordinates (CIE)** is measured by TOPCON SR-3

**Note 5: Central luminance** is measured by TOPCON SR-3

**Note 6: Luminance uniformity of 9 points** is defined as below and measured by TOPCON SR-3



$$\text{uniformity} = \frac{\text{Minimum Luminance in 9 points (1-9)}}{\text{Maximum Luminance in 9 points (1-9)}}$$

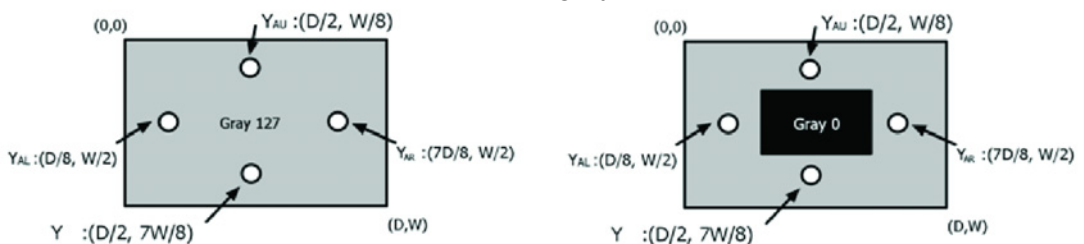
**Note 7: Crosstalk** is defined as below and measured by TOPCON SR-3

$$CT = |Y_B - Y_A| / Y_A * 100(\%)$$

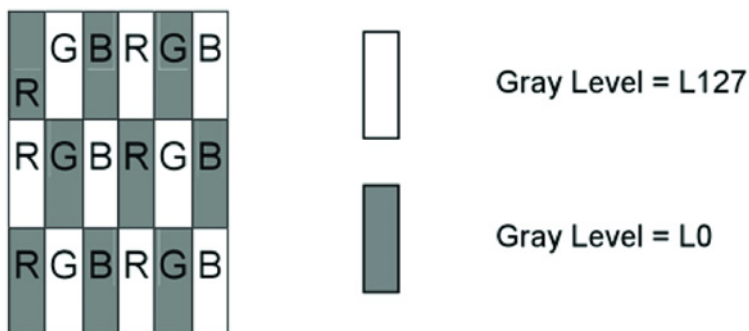
Where

YA = Luminance of measured location without gray level 0 pattern (cd/m<sup>2</sup>)

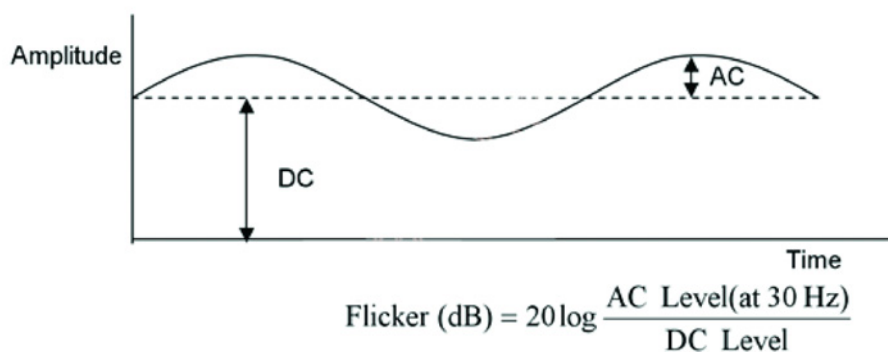
YB = Luminance of measured location with gray level 0 pattern (cd/m<sup>2</sup>)



**Note 8:** Test Pattern: Sub checker Pattern measured by TOPCON SR-3



Method: Record dB value with TRD-100



## 1.4 Functional Block Diagram

The following diagram shows the functional block of the 21.5 inches Color TFT-LCD Module:

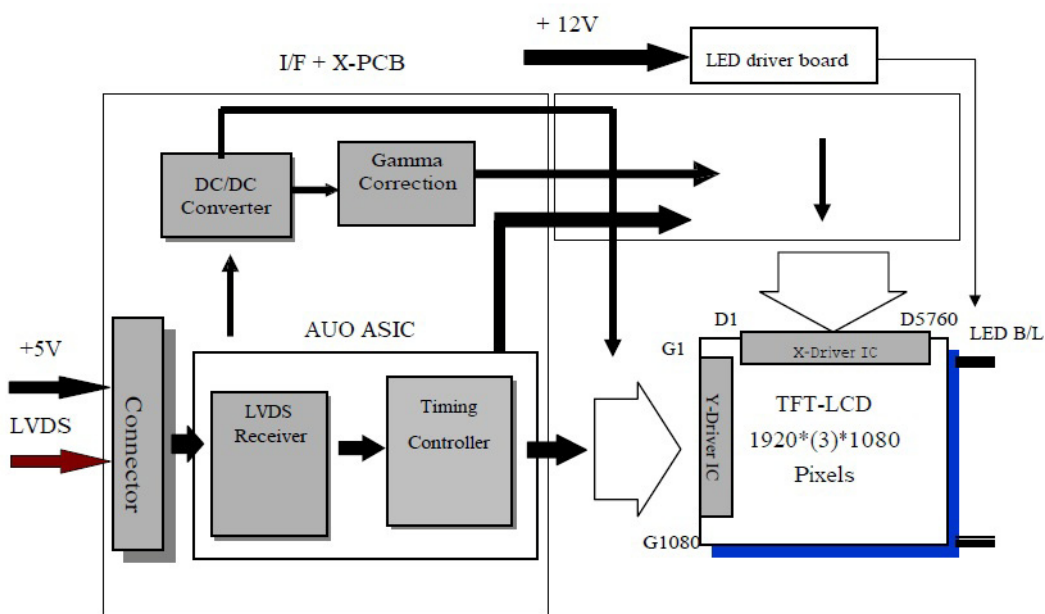


Figure 1.1 Function block diagram

## 1.5 Absolute Maximum Ratings

Absolute maximum ratings of the module is as following:

### 1.5.1 TFT LCD Module

Item	Symbol	Min.	Max.	Unit	Conditions
Logic/LCD Drive Voltage	VDD	0	5.5	[Volt]	Note 1,2

### 1.5.2 Backlight Unit

Item	Symbol	Min.	Max.	Unit	Conditions
LED light bar Input Voltage	VLED	10.8	13.2	[Volt]	Note 1,2

### 1.5.3 Absolute Ratings of Environment

Item	Symbol	Min.	Max.	Unit	Conditions
Operating Temperature	TOP	0	+60	[°C]	Note 3
Operation Humidity	HOP	5	+90	[%RH]	
Storage Temperature	TST	-20	+60	[°C]	
Storage Humidity	HST	5	90	[%RH]	

**Note 1:** Within Ta=25°C

**Note 2:** Permanent damage to the device may occur if exceeding maximum values

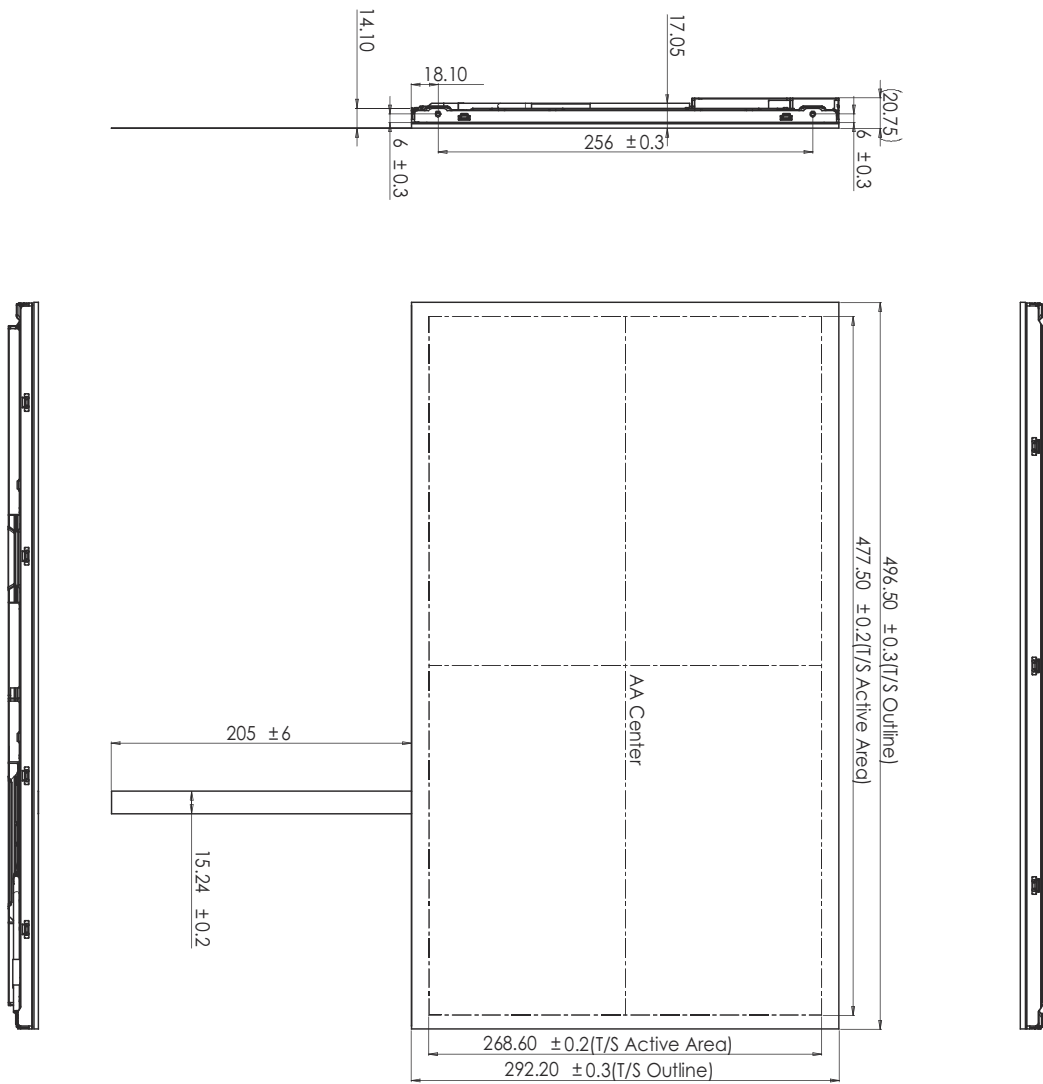
**Note 3:** For quality performance, please refer to AUO IIS (Incoming Inspection Standard).

**Note 4:** Operating Temperature (60°C) is defined as panel surface temperature.

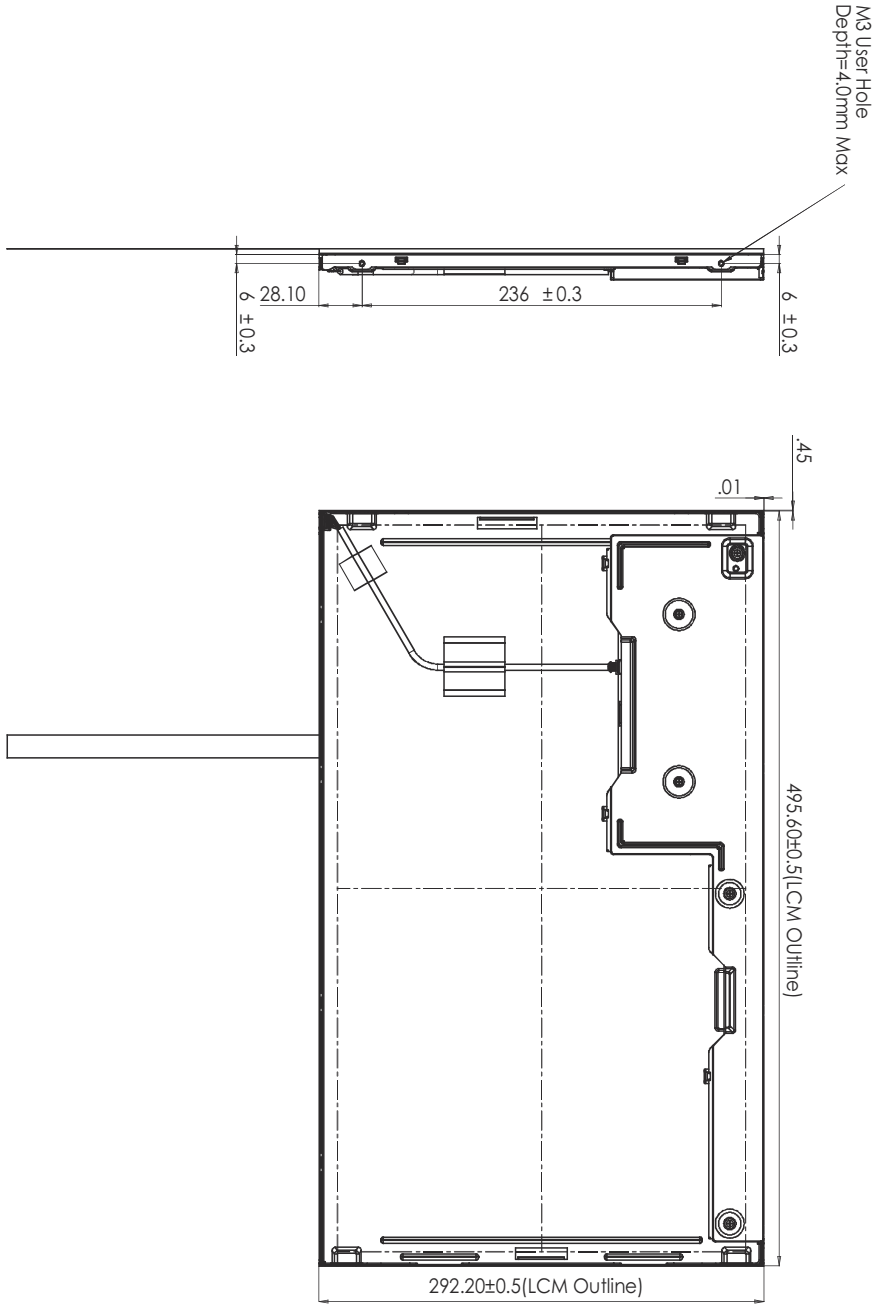
## 1.6 Outline Dimension

### 1.6.1 IDK-1121WR-30FHA1E

Front View



Rear View



# Chapter 2

Electrical  
Characteristics





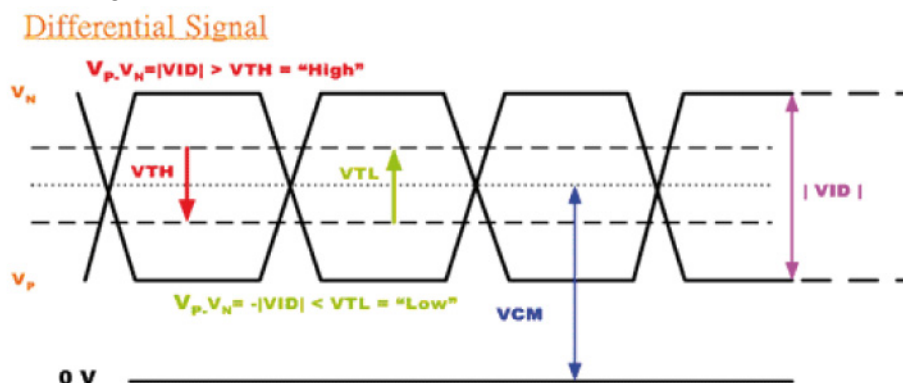
## 2.1.1 Signal Electrical Characteristics

Input signals shall be low or Hi-Z state when VDD is off.

**Table 2.2: Signal electrical characteristics**

Symbol	Parameter	Min.	Typ.	Max.	Unit	Condition
$V_{TH}$	Differential Input High Threshold	-	-	+100	[mV]	VCM = 1.2V, Note 1
$V_{TL}$	Differential Input Low Threshold	-100	-	-	[mV]	VCM = 1.2V Note 1
$ V_{ID} $	Input Differential Voltage	100	-	600	[mV]	Note 1
$V_{CM}$	Differential Input Common Mode Voltage	+1.0	+1.2	+1.5	[V]	VTH-VTL = 200mV (max) Note 1

**Note** LVDS Signal Waveform.



## 2.2 Backlight Driving Conditions

Following characteristics are measured under stable condition at 25°C.

**Table 2.3: Backlight driving conditions**

Item	Symbol	Value			Unit	Condition
		Min.	Typ.	Max		
Input Voltage	$V_{CC}$	10.8	12	13.2	Volt	
Input Current	$I_{VCC}$		1.6		A	100% Dimming
Power Consumption	$P_{LED}$		19.2	21	Watt	100% Dimming
PWM Dimming Frequency	$F_{PWM}$	200		20K	Hz	
Swing Voltage		4.8	5	5.5	Volt	100% Dimming
Dimming Duty Cycle		10		100	%	
Analog Dimming Voltage	$V_{Analog}$	1.5		5	Volt	Adjustable Dimming Range
LED Forward Current	IF		80		mA	Ta = 25°C, Note1
Operating Life		50000			Hrs	Ta = 25°C, Note 2,3

**Note1** Ta means ambient temperature.

**Note2** If modules is driven by high current or at high ambient temperature & humidity condition. The operating life will be reduced.

**Note3** Operating life means brightness goes down to 50% of initial brightness. Typical operating life time is estimated data.

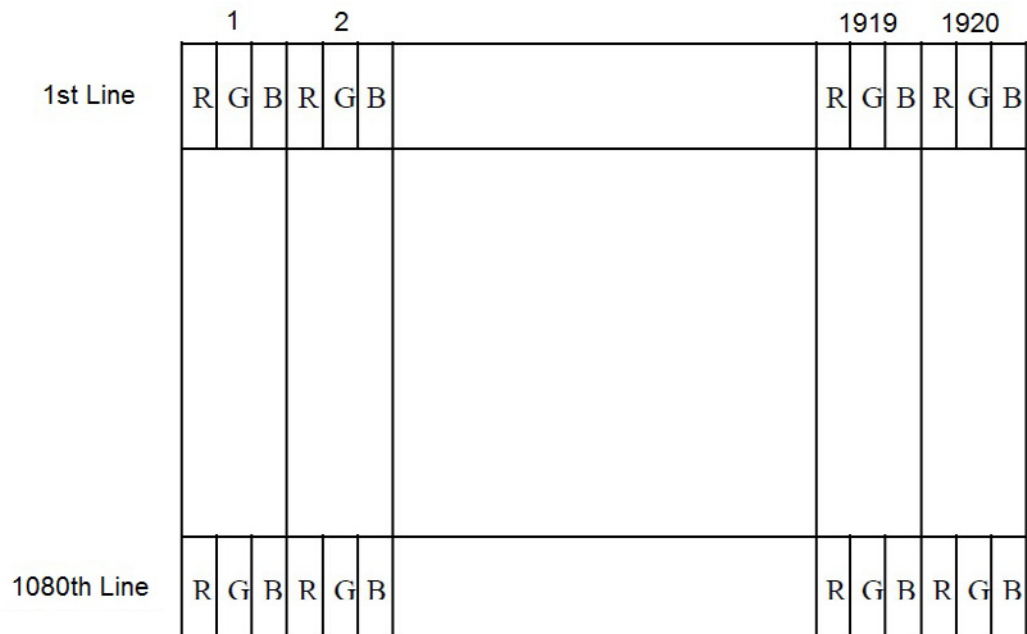


# Chapter 3

## Signal Characteristics

## 3.1 Pixel Format Image

Following figure shows the relationship between input signal and LCD pixel format.



## 3.2 Pin Description

The module using a pair of LVDS receiver SN75LVDS82 (Texas Instruments) or compatible. LVDS is a differential signal technology for LCD interface and high speed data transfer device. Transmitter shall be SN75LVDS83 (negative edge sampling) or compatible. The first LVDS port (RxOxxx) transmits odd pixels while the second LVDS port (RxExxx) transmits even pixels.

**Table 3.1: Pin Description**

Pin No.	Symbol	Description
1	RxO0-	Negative LVDS differential data input (Odd data)
2	RxO0+	Positive LVDS differential data input (Odd data)
3	RxO1-	Negative LVDS differential data input (Odd data)
4	RxO1+	Positive LVDS differential data input (Odd data)
5	RxO2-	Negative LVDS differential data input (Odd data, H-Sync, V-Sync, DSPTMG)
6	RxO2+	Positive LVDS differential data input (Odd data, H-Sync, V-Sync, DSPTMG)
7	VSS	Power Ground
8	RxOC-	Negative LVDS differential clock input (Odd clock)
9	RxOC+	Positive LVDS differential clock input (Odd clock)
10	RxO3-	Negative LVDS differential data input (Odd data)
11	RxO3+	Positive LVDS differential data input (Odd data)
12	RxE0-	Negative LVDS differential data input (Even data)
13	RxE0+	Positive LVDS differential data input (Even data)
14	VSS	Power Ground

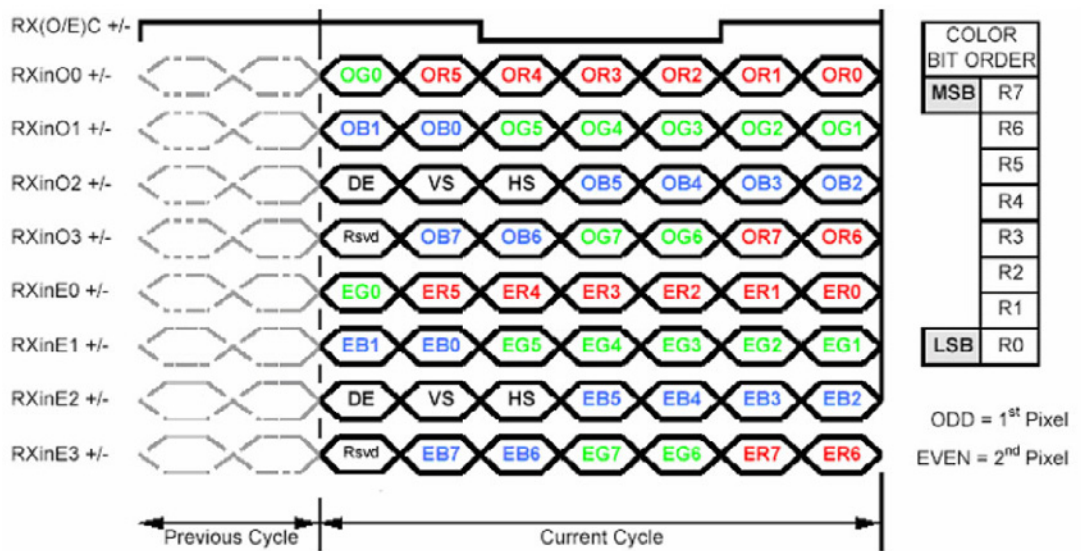
**Table 3.1: Pin Description**

15	RxE1-	Negative LVDS differential data input (Even data)
16	RxE1+	Positive LVDS differential data input (Even data)
17	VSS	Power Ground
18	RxE2-	Negative LVDS differential data input (Even data)
19	RxE2+	Positive LVDS differential data input (Even data)
20	RxEC-	Negative LVDS differential clock input (Even clock)
21	RxEC+	Positive LVDS differential clock input (Even clock)
22	RxE3-	Negative LVDS differential data input (Even data)
23	RxE3+	Positive LVDS differential data input (Even data)
24	VSS	Power Ground
25	NC	No connection (for AUO test only. Do not connect)
26	NC	No connection (for AUO test only. Do not connect)
27	NC	No connection (for AUO test only. Do not connect)
28	VDD	Power +5V
29	VDD	Power +5V
30	VDD	Power +5V

**Note1:** Input signals of odd and even clock shall be the same timing.

**Note2:** Please follow VESA.

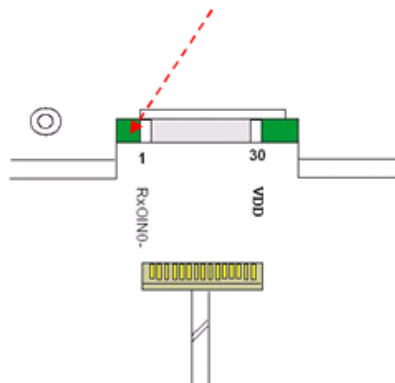
### 3.3 The Input Data Format



**Note1:** Normally DE mode only. VS and HS on EVEN channel are not used.

**Note2:** Please follow VESA.

**Note3:** 8-bit in



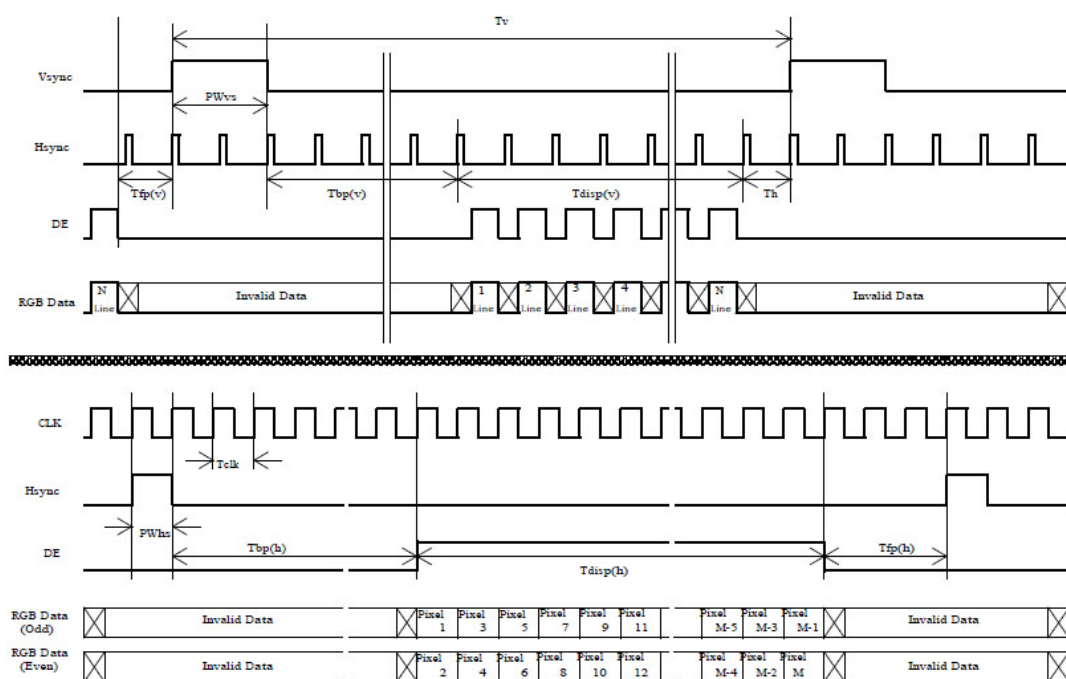
## 3.4 Interface Timing

### 3.4.1 Timing Characteristics

Signal Name	Item	Symbol	Min.	Typ.	Max.	Unit
Clock	Frequency	1/ TClock	40	72	83	MHz
Frame Rate	Frequency	1/Tv	50	60	75	Hz
Vertical Section	Period	TV	1088	1120	2047	T_line
	Active	TVD	1080	1080	1080	
	Blanking	TVB	8	40	967	
Horizontal Section	Period	TH	1034	1060	2047	T_clock
	Active	THD	960	960	960	
	Blanking	THB	74	100	1087	

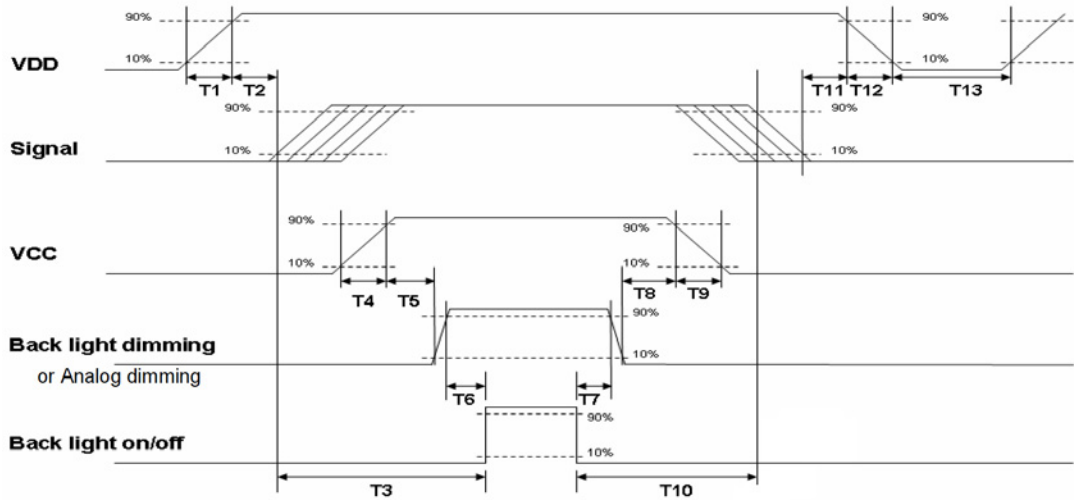
**Note:** DE mode.

### 3.4.2 Input Timing Diagram



## 3.5 Power ON/OFF Sequence

VDD power and lamp on/off sequence is as follows. Interface signals are also shown in the chart. Signals from any system shall be Hi-Z state or low level when VDD is off.



### Power Sequence Timing

Parameter	Value			Unit
	Min.	Typ.	Max.	
T1	0.5	-	10	[ms]
T2	30	40	50	[ms]
T3	200	-	-	[ms]
T4	0.5	-	10	[ms]
T5	10	-	-	[ms]
T6	10	-	-	[ms]
T7	0	-	-	[ms]
T8	10	-	-	[ms]
T9	-	-	10	[ms]
T10	110	-	-	[ms]
T11	0	16	50	[ms]
T12	-	-	10	[ms]
T13	1000	-	-	[ms]



# Chapter 4

Connector & Pin  
Assignment

## 4.1 TFT LCD Module

The physical connector interface is described below. These connectors are capable of accommodating the following signals and components.

### 4.1.1 Connector

**Table 4.1: Connector**

Connector Name / Description	Interface Connector / Interface card
Manufacture	JAE or compatible
Type Part Number	JAE (FI-XB30SRL-HF11) or equivalent
Mating Housing Part Number	FI-X30HL (JAE) or compatible

### 4.1.2 Pin Assignment

**Table 4.2: Pin Assignment**

Pin No.	Signal Name	Pin No.	Signal Name
1	RxOIN0-	2	RxOIN0+
3	RxOIN1-	4	RxOIN1+
5	RxOIN2-	6	RxOIN2+
7	GND	8	RxOCLKIN-
9	RxOCLKIN+	10	RxOIN3-
11	RxOIN3+	12	RxEIN0-
13	RxEIN0+	14	GND
15	RxEIN1-	16	RxEIN1+
17	GND	18	RxEIN2-
19	RxEIN2+	20	RxECLKIN-
21	RxECLKIN+	22	RxEIN3-
23	RxEIN3+	24	GND
25	NC	26	NC
27	NC	28	VDD
29	VDD	30	VDD

## 4.2 Backlight Unit

The physical connector interface is described below. These connectors are capable of accommodating the following signals and components.

### 4.2.1 Signal for LED light bar connector

Pin No.	Signal Name	Description
1	GND	Ground
2	GND	Ground
3	GND	Ground
4	BL_DIM_P	Back light dimming, 3,3 V
5	BL_EN	Back light enable, 5 V
6	---	NC

7	V12	Input voltage, 12 V
8	V12	Input voltage, 12 V
9	V12	Input voltage, 12 V

#### 4.2.1.1 LED input connector pin define (PIN1):

Connector Name / Designation	LED Connector
Manufacturer	Sin Sheng or compatible
Connector Model Number	MS24049HJ
Mating Model Number	P24049 or compatible

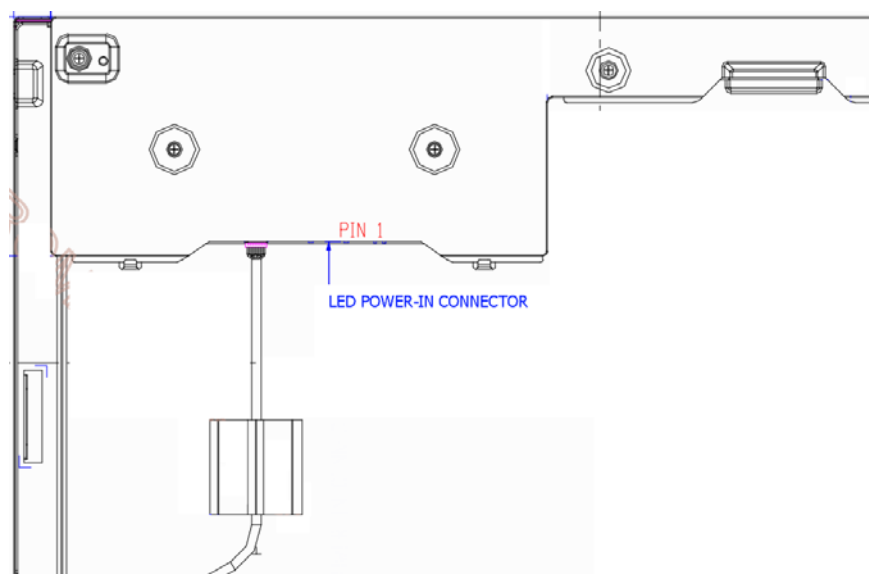


Figure 4.1



# Chapter 5

Touch Screen & Touch  
Controller

## 5.1 Touch Screen

### 5.1.1 Touch Characteristics

The touch panel is a resistance type used with flat LCD displays. Touches via finger or stylus send coordinate points to the PC from voltage changes at the contact point.

### 5.1.2 Optical Characteristics

	Item	Specification	Remarks
1	TRANSPARENCY	80% ± 3%	BYK-Gardner
2	HAZE	8.0% ± 3%	BYK-Gardner

### 5.1.3 Environment Characteristics

	Item	Specification	Remarks
1	Operation temperature	-20°C ~ 70°C	
2	Storage temperature	-40°C ~ 80°C	
3	Operation Humidity	20% ~ 80%RH	Non condensing
4	Storage Humidity	20% ~ 90%RH	

**Note!** All terms under 1 atmosphere.

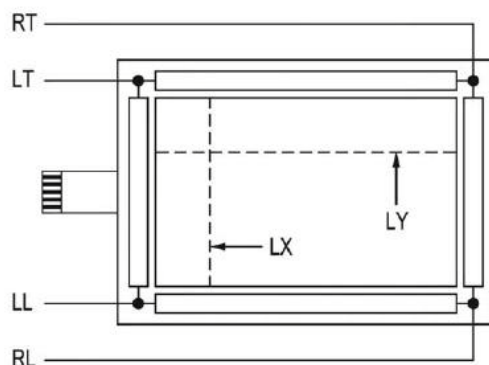


### 5.1.4 Mechanical Characteristics

	Item	Specification	Remarks
1	Hardness of surface	Pencil hardness 3H.	JIS K-5600-5-4 750gf, 45 degree
2	FPC peeling strength	1) 5N (5N Min.) 2) 19.6N (19.6N Min.)	1) Peeling upward by 90° 2) Peeling downward by 90°
3	Operation force	Pen 0.05N~1.96N Finger (5~200gf)	Dot-Spacer Within “guaranteed active area”, but not on the age and Dot-Spacer.

### 5.1.5 Electronic Characteristics

	Item	Specification	Remarks
1	Rated Voltage	DC 7V max.	
2	Loop Resistance	X axis: 20Ω ~ 500Ω(Figure as bellow) Y axis: 20Ω ~ 500Ω(Figure as bellow)	FPC connector
3	Linearity	X ≤1.5% (Figure as bellow) Y ≤1.5% (Figure as bellow)	Reference: 250gf
4	Chattering	≤ 15ms Max	
5	Insulation Resistance	≥ 20MΩ min (DC 25V)	

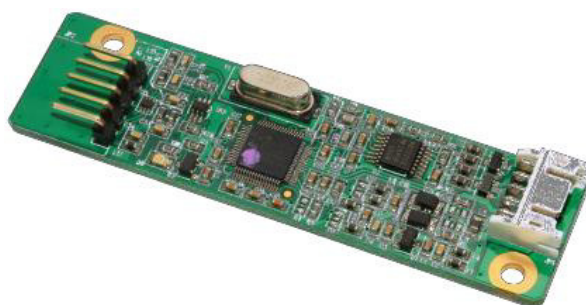


### 5.1.6 General specification

Item	Specification
1	Frame size 496.50±0.30 X 292.20±0.30 mm
2	View Area 481.50±0.20 X 272.60±0.20 mm
3	Active Area 477.50±0.20 X 268.60±0.20 mm
4	Total Thickness 3.20±0.20 mm
5	Tail length 205.00±6.00 mm

## 5.2 Touch controller

Advantech ETM-RES04C Touch Control Board, is the ultimate combo board. This touch panel controller provides optimum performance of your analog resistive touch panels for 5-wire models. It communicates with the PC system directly through USB and RS-232 connectors. The design is superior in sensitivity, accuracy and friendly operation. The touch panel driver emulates mouse left and right button functions.



### 5.2.1 Touch Controller Characteristics

#### 5.2.1.1 Specifications

##### Electrical Features

- +5 Vdc/ 100 mA typical, 50mV peak to peak maximum ripple and noise.
- Bi-directional RS-232 serial communication and USB 1.1 full speed
- Report rate of RS-232 is 180 points/sec (max.). And, USB is 200 points/sec (max.)
- Unaffected by environmental EMI
- Panel resistance of 5-wire resistive model is from 50 to 200 ohm (Pin to pin on same layer)

- Touch resistance under 3K ohm

### Serial Interface

- EIA 232E (Serial RS-232)
- No parity, 8 data bits, 1 stop bit, 9600 baud (N, 8, 1, 9600)
- Supports Windows 2000/ Vista/ XP/ 7, Windows CE 5.0/ 6.0/ 7.0, Windows NT4, Linux, DOS, QNX

### USB Interface

- Conforms to USB Revision 1.1 full speed.
- If the USB is connected to the controller, the controller will communicate over the USB, and will not communicate over the serial port.
- Support Windows 2000/ Vista/ XP/ 7, Windows CE 5.0/ 6.0/ 7.0, Linux, QNX

### Touch Resolution

- 2,048 x 2,048 resolution

### Response Time

- Max. 20 ms

## 5.2.1.2 Environmental Feature

### Reliability

- MTBF is 200,000 hours

### Temperature Ranges

- Operating : -25°C ~ 85°C
- Storage : -25°C ~ 85°C

### Relative Humidity

- 95% at 60°C, RH Non-condensing

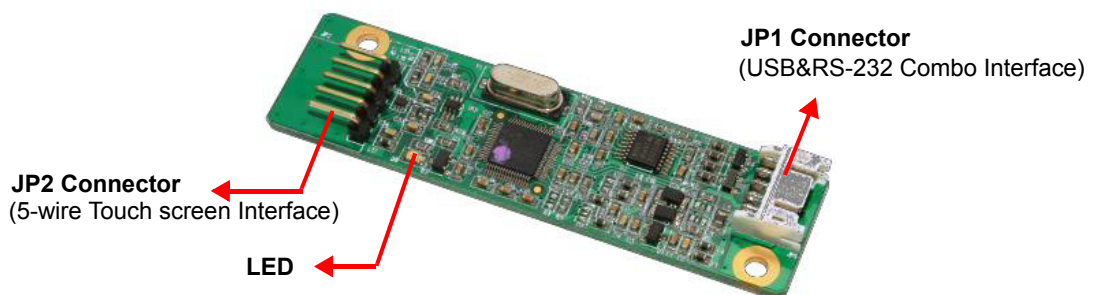
### Acquired RoHS certificate

### Regulatory FCC-B, CE approvals

Dimension: 75 mm x 20 mm x 10 mm

## 5.2.2 Pin Assignment and Description

### 5.2.2.1 Connector and LED Location



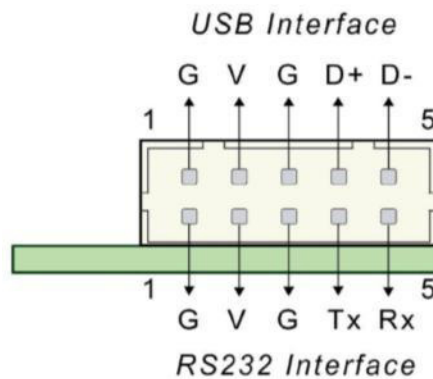


**5.2.2.2 Combo Interface Connector, JP1, Pins and signal descriptions**

The combo interface connector, USB and RS-232, is a box 2.0mm 10-pins 90 degree, Male type with lock connector, intended to be used with single wired pins in 5+5 pins header. The pins are numbered as shown in the table below.

USB Pin #	Signal Name	Signal Function	RS-232 Pin #	Signal Name	Signal Function
1	G	Ground	1	G	Ground
2	V	USB Power	2	V	Power
3	G	Ground	3	G	Ground
4	D+	USB D+	4	TxD	Serial Port
5	D-	USB D-	5	RxD	Serial Port

Signal Name	DB-9 pin #	RS-232 pin #	Sourced by	Signal Description
RxD	2	5	ctrl	serial data from controller to host
TxD	3	4	host	serial data from host to controller

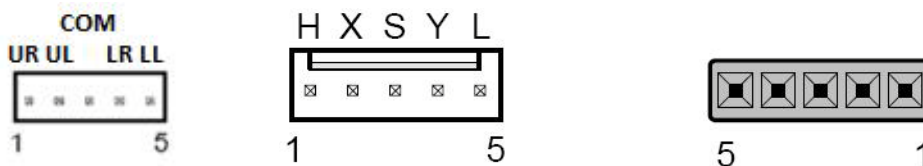


**Figure 5.1 Board mounted header**

**5.2.2.3 Touch Screen Connector, JP2, Pins and signal descriptions**

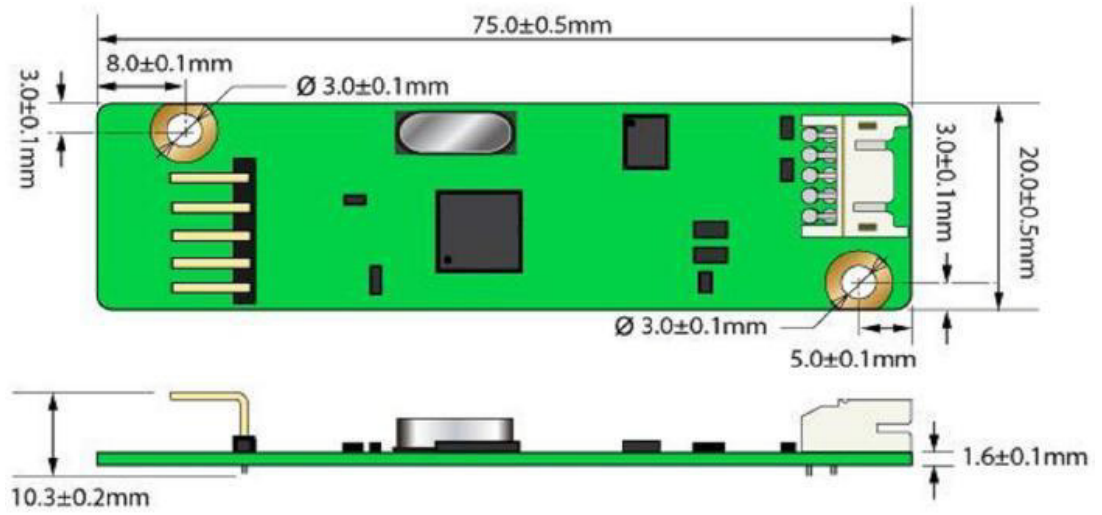
The Touch Screen connector, JP2, is a single row by 2.54mm 5-pins 90 degree, Male type connector. The pins are numbered as shown in the table below.

JP2 Pin #	Signal Name	Signal Description
1	H / UR	Drive signal attached to the touchscreen substrate upper right corner when viewed from a user's perspective.
2	Y / UL	Drive signal attached to the substrate upper left corner.
3	COM	-
4	X / LR	Drive signal attached to the substrate lower right corner.
5	L / LL	Drive signal attached to the substrate lower left corner.



### 5.2.3 Physical dimension

ETM-RES04C-EEH4EE Touch Control Board (Unit: mm)



# Appendix **A**

## Handling Precautions

---

## A.1 Optical Characteristics

The optical characteristics are measured under stable conditions at 25°C (Room Temperature)

1. Since the front polarizer is easily damaged, pay attention not to scratch it.
2. Be sure to turn off the power supply when inserting or disconnecting from the input connector.
3. Wipe off water drops immediately. Long contact with water may cause discoloration or spots.
4. When the panel surface is soiled, wipe it with absorbent cotton or other soft cloth.
5. Since the panel is made of glass, it may break or crack if dropped or bumped on hard surface.
6. Since CMOS LSI is used in this module, take care of static electricity and insure you are earthed when handling.
7. Do not open or modify the Module Assembly.
8. Do not press the reflector sheet at the back of the module from any direction.
9. In case if a Module has to be put back into the packing container slot after it was taken out, please press the far end of the LED light bar reflector edge softly, otherwise the TFT Module may be damaged.
10. At the insertion or removal of the Signal Interface Connector, be sure not to rotate nor tilt the Interface Connector of the TFT Module.
11. After installation of the TFT Module into an enclosure, no bending/twisting forces should be applied to the TFT Module. Otherwise the TFT Module may be damaged.
12. Small amounts of materials having a no flammability grade are used in the LCD module. The LCD module should be supplied by power complying with the requirements of Limited Power Source (IEC60950 or UL1950)

**ADVANTECH**

*Enabling an Intelligent Planet*

**[www.advantech.com](http://www.advantech.com)**

Please verify specifications before quoting. This guide is intended for reference purposes only.

All product specifications are subject to change without notice.

No part of this publication may be reproduced in any form or by any means, electronic, photocopying, recording or otherwise, without prior written permission of the publisher.

All brand and product names are trademarks or registered trademarks of their respective companies.

© Advantech Co., Ltd. 2013

## Free Manuals Download Website

<http://myh66.com>

<http://usermanuals.us>

<http://www.somanuals.com>

<http://www.4manuals.cc>

<http://www.manual-lib.com>

<http://www.404manual.com>

<http://www.luxmanual.com>

<http://aubethermostatmanual.com>

Golf course search by state

<http://golfingnear.com>

Email search by domain

<http://emailbydomain.com>

Auto manuals search

<http://auto.somanuals.com>

TV manuals search

<http://tv.somanuals.com>