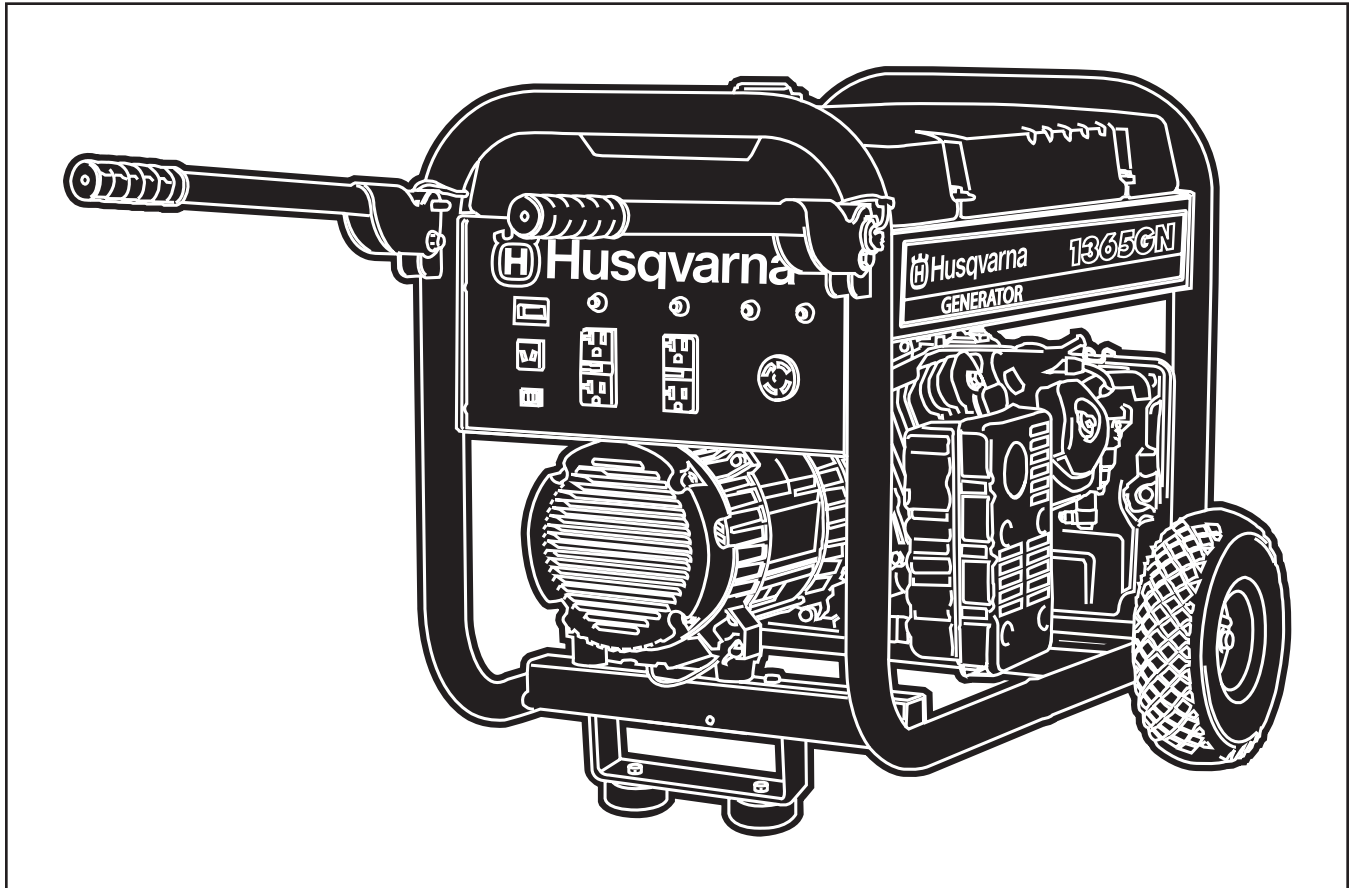


Husqvarna



01935

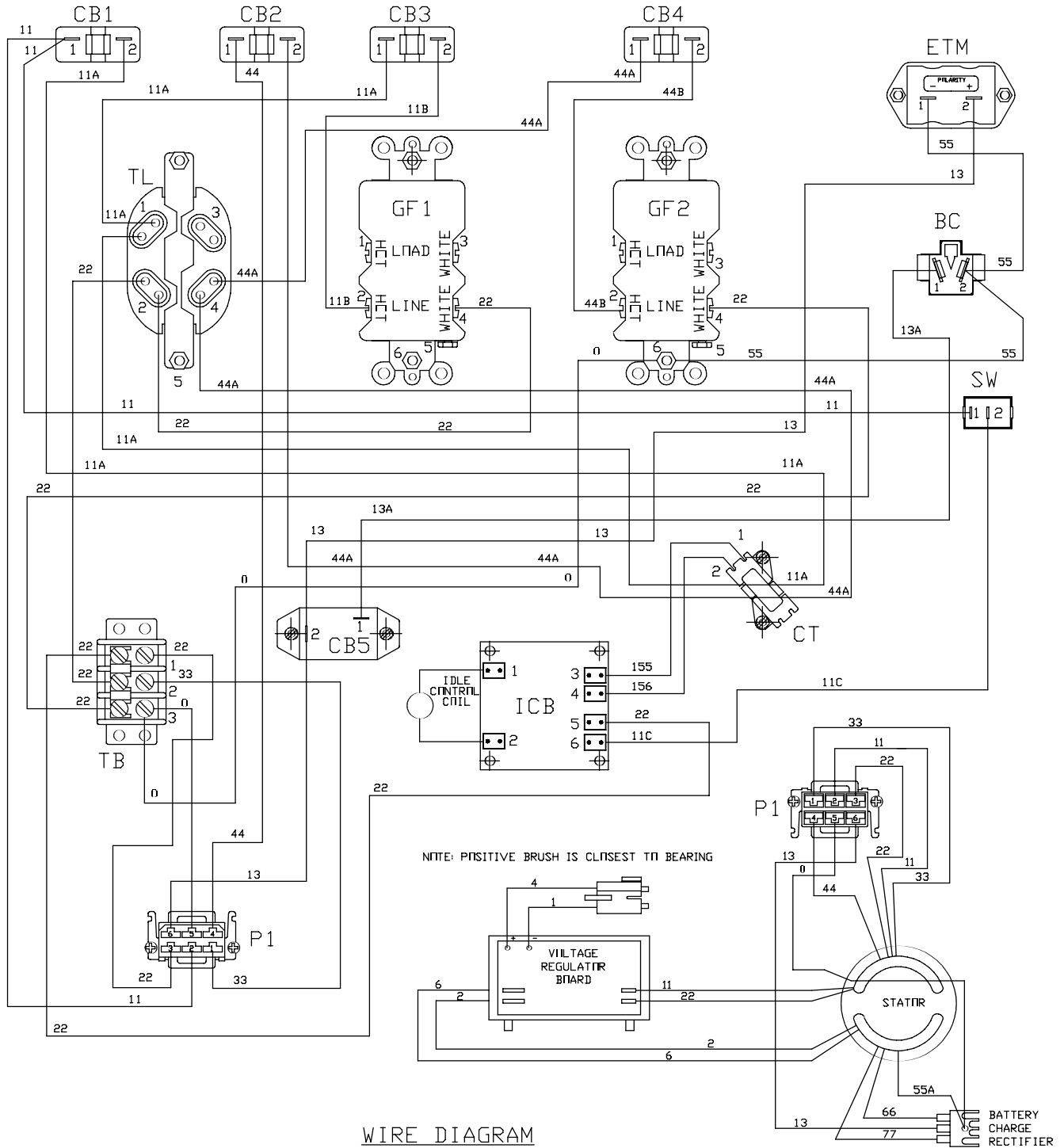
1365GN

Illustrated Parts List



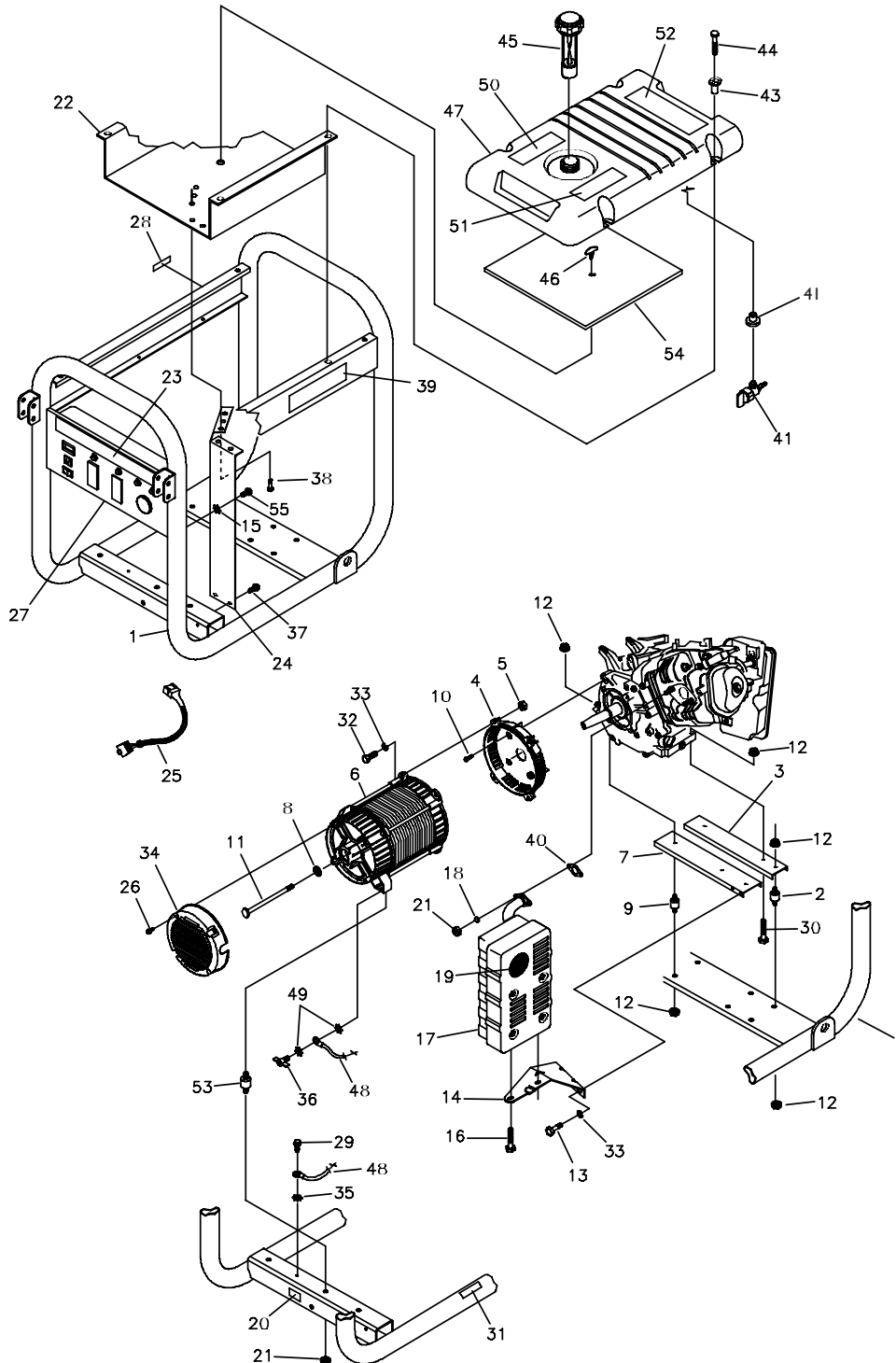
Wiring Diagram

WIRING DIAGRAM



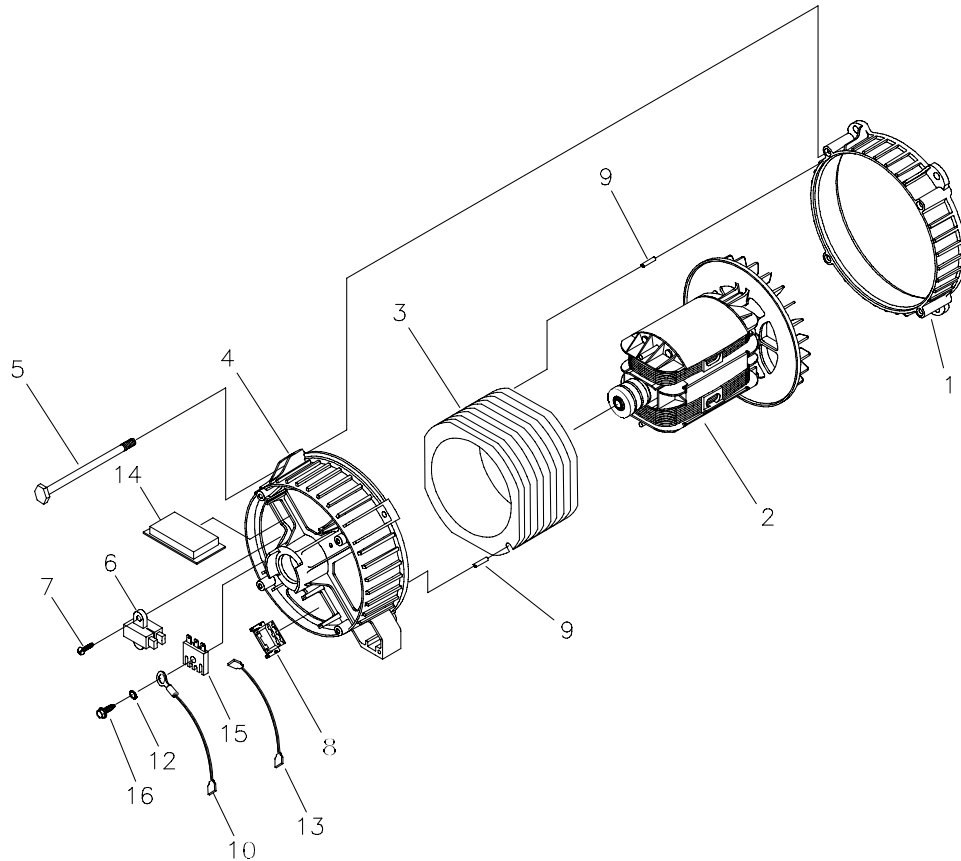
Exploded Views

EXPLODED VIEW – MAIN UNIT



Exploded Views

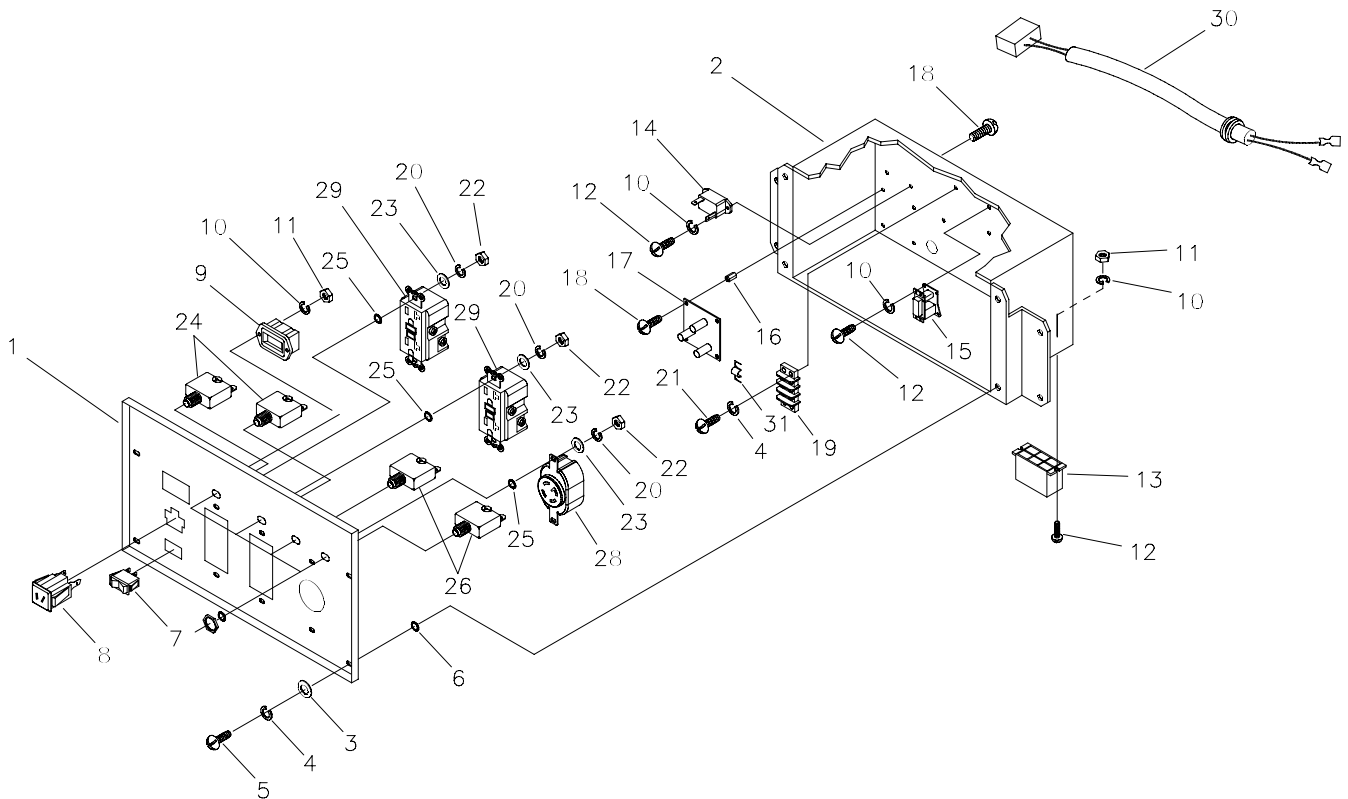
EXPLODED VIEW AND PARTS LIST – ALTERNATOR



Item	Part #	Description
1	186059GS	ADAPTER, Mounting, Alternator
2	192919GS	ROTOR
3	192920AGS	STATOR
4	193336GS	RBC, (with O-Ring, p/n 189197GS)
5	86308HGS	SCREW
6	66386GS	ASSY, Holder, Brush
7	66849GS	SCREW
8	22694GS	RECEPTACLE, 6 pin
9	81917GS	PIN, Roll
10	191051AGS	ASSY, Wire, Ground
11	23762GS	WASHER
12	192403XGS	WIRE, Ground
13	189769GS	RECTIFIER, Voltage, AVR
14	65795GS	RECTIFIER
15	66849AGS	SCREW

Exploded Views

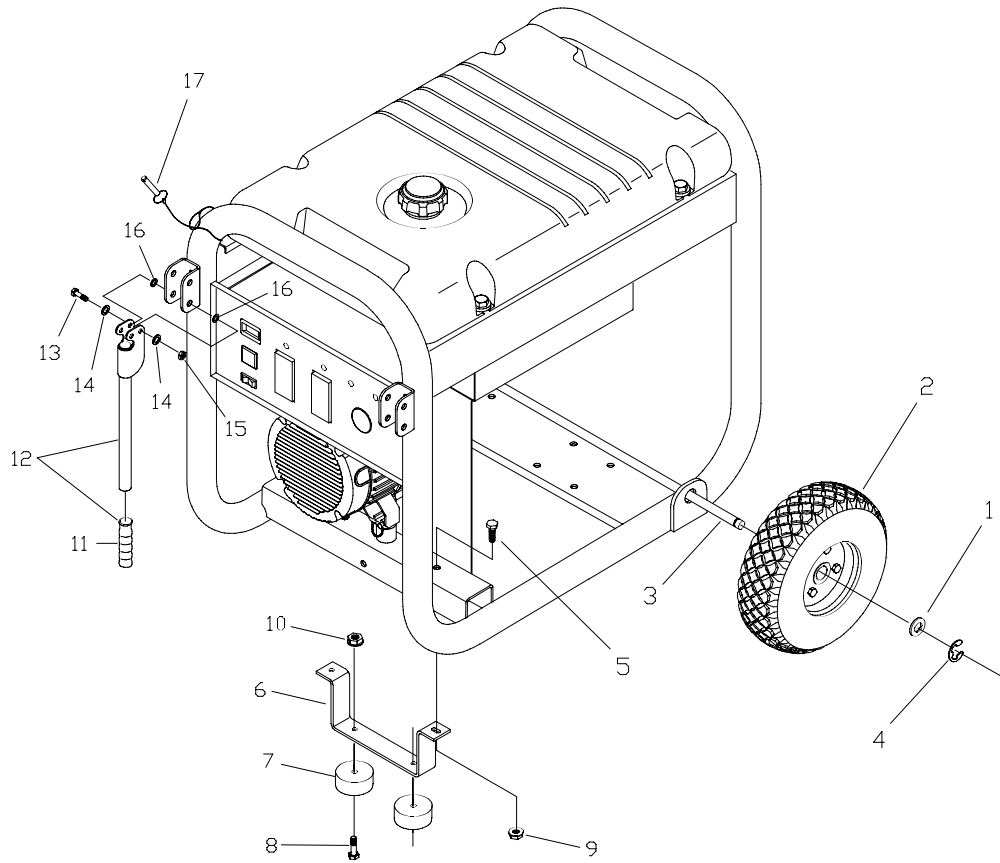
EXPLODED VIEW AND PARTS LIST – CONTROL PANEL



Item	Part #	Description	Item	Part #	Description
1	NSP	PANEL, Control	16	64525GS	STANDOFF, Hex
2	B192836GS	BOX, Control Panel	17	189367GS	PCB, Idle Control
3	23897GS	WASHER	18	64526GS	SCREW
4	49226GS	WASHER, Lock	19	193077GS	STRIP, Terminal
5	91526GS	SCREW	20	22264GS	WASHER, Lock
6	22447GS	WASHER	21	75477GS	SCREW
7	82538GS	SWITCH, Rocker	22	51715GS	NUT
8	90418GS	OUTLET, 12VDC, Snap	23	43180GS	WASHER
9	77604GS	METER, Hour	24	75207GS	BREAKER, Circuit
10	43182GS	WASHER, Lock	25	23365GS	WASHER
11	51714GS	NUT	26	75207PGS	BREAKER, Circuit
12	43181GS	SCREW	27	193095GS	JUMPER, Terminal Block
13	22694GS	HOUSING, Receptacle	28	43437GS	OUTLET, 120/240V, 30A
14	87962GS	BREAKER, Circuit	29	80409GS	OUTLET, 120V, 20A, Duplex. GFCI
15	84028GS	TRANSFORMER, Idle Cnt	30	189502GS	HARNESS, Wire

Exploded Views

EXPLODED VIEW AND PARTS LIST – WHEEL KIT



Item	Part #	Description
1	22247GS	WASHER
2	B4966GS	WHEEL
3	191267KGS	AXLE
4	191265GS	E-RING
5	39253GS	SCREW
6	B89595GS	BRACKET, Support, Unit
7	87841GS	MOUNT, Vibe Donut Type
8	22287GS	SCREW
9	67989GS	NUT
10	B2071GS	NUT, Lock
11	B4605GS	GRIP, Handle
12	B187113GS	ASSY, Handle (Includes Item 11)
13	39287GS	SCREW
14	22145GS	WASHER
15	49820GS	NUT, Nylok
16	187104GS	WASHER, Nylon
17	B4135GS	PIN, with Lanyard

Free Manuals Download Website

<http://myh66.com>

<http://usermanuals.us>

<http://www.somanuals.com>

<http://www.4manuals.cc>

<http://www.manual-lib.com>

<http://www.404manual.com>

<http://www.luxmanual.com>

<http://aubethermostatmanual.com>

Golf course search by state

<http://golfingnear.com>

Email search by domain

<http://emailbydomain.com>

Auto manuals search

<http://auto.somanuals.com>

TV manuals search

<http://tv.somanuals.com>