



Husqvarna®



LC 141iV, LC 141i, LC 141C



EN	Operator's manual	2-28
BG	Ръководство за експлоатация	29-58
CS	Návod k použití	59-85
DA	Bruksanvisning	86-112
DE	Bedienungsanweisung	113-141
EL	Οδηγίες χρήσης	142-171
ES	Manual de usuario	172-200
ET	Kasutusjuhend	201-226
FI	Käyttöohje	227-252
FR	Manuel d'utilisation	253-281
HR	Priručnik za korištenje	282-308
HU	Használati utasítás	309-337
IT	Manuale dell'operatore	338-365
JA	取扱説明書	366-392
LT	Operatoriaus vadovas	393-419
LV	Lietošanas pamācība	420-447
NL	Gebbruiksaanwijzing	448-475
NO	Bruksanvisning	476-502
PL	Instrukcja obsługi	503-531
PT	Manual do utilizador	532-560
RO	Instrucțiuni de utilizare	561-588
RU	Руководство по эксплуатации	589-620
SK	Návod na obsluhu	621-647
SL	Navodila za uporabo	648-674
SR	Priručnik za rukovaoca	675-702
SV	Bruksanvisning	703-729
TR	Kullanım kılavuzu	730-756
UK	Посібник користувача	757-786
ZH	操作手册	787-809

Contents

Introduction.....	2	Troubleshooting.....	22
Safety.....	5	Transportation, storage and disposal.....	23
Assembly.....	13	Technical data.....	24
Operation.....	15	EC Declaration of Conformity.....	28
Maintenance.....	20		

Introduction

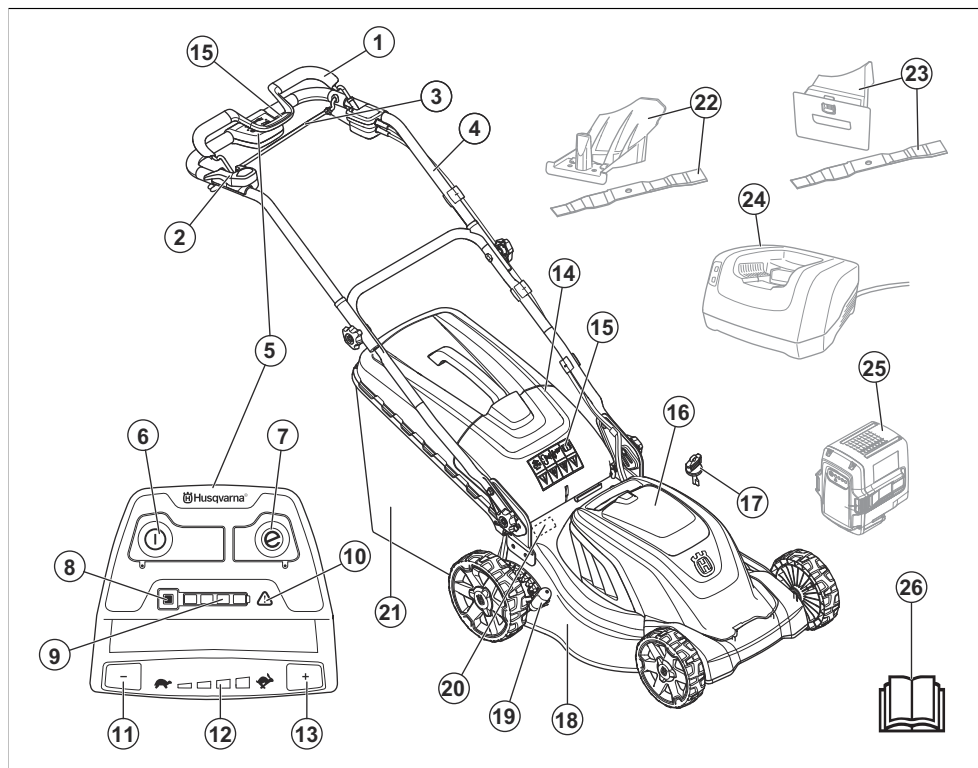
Product description

The product is a pedestrian-controlled rotary lawn mower. The grass is collected in a grass catcher. Remove the grass catcher to get rear discharge of the grass. Attach a mulch kit (accessory) to cut the grass into fertilizer.

Intended use

Use the product to cut grass. Do not use the product for other tasks.

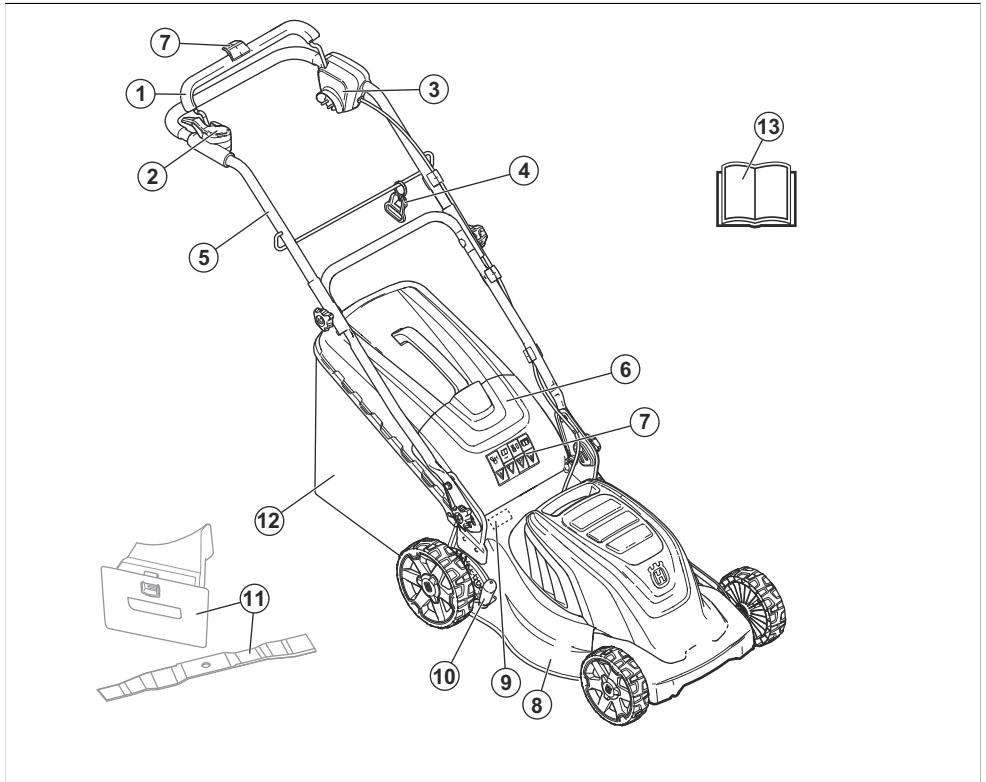
Product overview LC 141iV / LC 141i



- | | |
|--------------------------|-----------------------------|
| 1. Motor brake handle | 5. Control panel |
| 2. Start inhibitor | 6. ON/OFF button |
| 3. Drive bail (LC 141iV) | 7. SavE button |
| 4. Handle / handlebar | 8. Battery indicator button |

- 9. Battery charge indicator
- 10. Warning indicator (ERROR LED)
- 11. Decrease speed button (LC 141iV)
- 12. Speed level indicator (LC 141iV)
- 13. Increase speed button (LC 141iV)
- 14. Rear cover
- 15. Symbols
- 16. Battery lid
- 17. Safety key
- 18. Cutting cover
- 19. Cutting height lever
- 20. Rating plate
- 21. Grass catcher
- 22. Mulch kit (Accessory for LC 141iV)
- 23. Mulch kit (Accessory for LC 141i)
- 24. Battery charger (Accessory)
- 25. Battery (Accessory)
- 26. Operator's manual

Product overview LC 141C



- 1. Motor brake handle
- 2. Start inhibitor
- 3. Power cord socket
- 4. Power cord holder
- 5. Handle / handlebar
- 6. Rear cover
- 7. Symbols
- 8. Cutting cover
- 9. Rating plate
- 10. Cutting height lever
- 11. Mulch plug (Accessory)
- 12. Grass catcher
- 13. Operator's manual

Symbols on the product



Injury or death can occur to the operator or bystanders if the product

is not used carefully and correctly.



Read the operator's manual and make sure that you understand the instructions before you use this product.



Keep persons and animals at a safe distance from the work area.



Look out for thrown objects and ricochets.



Warning: Keep hands and feet away from the rotating blade.



Warning: Keep hands and feet away from rotating parts.



Remove the safety key before you do maintenance on the product. (model LC 141iV/LC 141i)



Disconnect the product from electrical outlet before you do maintenance on the product. (model LC 141C)

IPX1

IPX1 - The product has protection against dripping water (model LC 141iV/LC 141i)

IPX4

IPX4 - The product has protection against splashing water (model LC 141C)



Do not let rain fall on the product (model LC 141iV/LC 141i)



Warning: Do not operate the product across the power cord as this can result in electrical shock or damage to the product. (model LC 141C)



This product is in accordance with applicable EC directives.



Noise emission to the environment according to the European Community's Directive. The product's emission is specified in the Technical data chapter and on the label.



Direct current. 36V



Double insulation.



Recycle this product at a recycling location for electrical and electronic equipment. (Applies to Europe only)



Start procedure for model LC 141iV/
LC 141i: push ON/OFF button, loosen start inhibitor, push motor brake handle down.



Start procedure for model LC 141C: loosen start inhibitor, push motor brake handle down.



Release motor brake handle to stop.



Slow



Fast



Scannable code

Note: Other symbols/decals on the product refer to certification requirements for some markets.

Product liability

As referred to in the product liability laws, we are not liable for damages that our product causes if:

- the product is incorrectly repaired.
- the product is repaired with parts that are not from the manufacturer or not approved by the manufacturer.
- the product has an accessory that is not from the manufacturer or not approved by the manufacturer.
- the product is not repaired at an approved service center or by an approved authority.

Safety

Safety definitions

Warnings, cautions and notes are used to point out specially important parts of the manual.



WARNING: Used if there is a risk of injury or death for the operator or bystanders if the instructions in the manual are not obeyed.



CAUTION: Used if there is a risk of damage to the product, other materials or the adjacent area if the instructions in the manual are not obeyed.

Note: Used to give more information that is necessary in a given situation.

General safety instructions



WARNING: Read the warning instructions that follow before you use the product.

- This product is dangerous if used incorrectly or if you are not careful. Injury or death can occur if you do not obey the safety instructions.
- This product produces an electromagnetic field during operation. This field may under some circumstances interfere with active or passive medical implants. To reduce the risk of serious or fatal injury we recommend persons with medical implants to consult their physician and the medical implant manufacturer before operating this product.
- Always be careful and use your common sense. If you are not sure how to operate the product in a special situation, stop and speak to your Husqvarna dealer before you continue.
- Keep in mind that the operator will be held responsible for accidents that involve other persons or their property.

- Keep the product clean. Make sure that you can clearly read signs and decals.
- Never allow children or people unfamiliar with these instructions to use the appliance. Local regulations may restrict the age of the operator
- Always monitor a person, with decreased physical capacity or mental capacity, that uses the product. A responsible adult must be there at all times.
- Do not use the product if you are tired, ill, or under the influence of alcohol, drugs or medicine. This has a negative effect on your vision, alertness, coordination and judgment.
- Do not use the product if it is defective.
- Do not change this product or use it if it is possible that it has been changed by others.

Work area safety



WARNING: Read the warning instructions that follow before you use the product.

- Remove objects such as branches, twigs and stones

- from the work area before you use the product.
- Objects that hit against the cutting equipment can eject and cause damage to persons and objects. Keep bystanders and animals at a safe distance from the product.
 - Never use the product in bad weather such as fog, rain, strong winds, intense cold and risk of lightning. To use the product in bad weather or in moist or wet locations is tiring. Bad weather can cause dangerous conditions, such as slippery surfaces.
 - Look out for persons, objects and situations that can prevent safe operation of the product.
 - Look out for obstacles, such as roots, stones, twigs, pits and ditches. Long grass can hide obstacles.
 - To cut grass on slopes can be dangerous. Do not mow excessively steep slopes. Do not use the product on ground that slopes more than 15°
 - Exercise extreme caution when changing direction on slopes. Operate the product across the face of slopes. Do not move up and down.

- Be careful when you go near hidden corners and objects that prevent a clear view.

Work safety



WARNING: Read the warning instructions that follow before you use the product.

- Use this product to cut grass lawns only. It is not permitted to use it for other tasks.
- Use personal protective equipment. Refer to *Personal protective equipment on page 8*.
- Make sure that you know how to stop the motor quickly in an emergency.
- Do not operate the product in rain or wet conditions. The risk of electrical shock increases if water enters the product.
- Do not operate the product unless the blade and all covers are attached correctly. An incorrectly attached blade can come loose and cause personal injury.
- Make sure that the blade does not hit objects such as stones and roots. This can do damage to the blade and bend the motor shaft. A bent axle causes heavy vibration

and a very high risk that the blade becomes loose.

- If the blade hits an object or if vibrations occur, stop the product immediately. Stop the motor, turn the safety key to 0 and remove the battery (model LC 141iV and LC 141i) or disconnect the power cord (model LC 141C). Examine the product for damages. Repair damages or let an authorised service agent do the repair.
- Never attach the motor brake handle permanently to the handle when the motor is started.
- Put the product on a stable, flat surface and start it. Make sure that the blade does not hit the ground or other objects.
- Always stay behind the product when you operate it.
- Let all the wheels stay on the ground and keep 2 hands on the handle when you operate the product. Keep your hands and feet away from the rotating blades.
- Do not tilt the product when the motor is started.
- Be careful when you pull the product rearward.
- Never lift up the product when the motor is started. If you

must lift the product, first stop the motor, turn the safety key to 0 and remove the battery (model LC 141iV and LC 141i) or disconnect the power cord (model LC 141C).

- Do not walk rearward when you operate the product.
- Stop the motor when you move across areas without grass, for example paths made of gravel, stone and asphalt.
- Do not run with the product when the motor is started. Always walk when you operate the product.
- Stop the motor before you change the cutting height. Never make adjustments with the motor started.
- Never let the product stay out of view with the motor started. Stop the motor and make sure that the cutting equipment does not rotate.

Safety instructions for operation

Personal protective equipment



WARNING: Read the warning instructions that follow before you use the product.

- Personal protective equipment cannot fully prevent injury but

it decreases the degree of injury if an accident does occur. Let your dealer help you select the right equipment.

- Use heavy-duty slip-resistant boots or shoes. Do not use open shoes or go with bare feet.
- Use heavy, long pants.
- Use protective gloves when necessary, for example when you attach, examine or clean the cutting equipment.

Safety devices on the product



WARNING: Read the warning instructions that follow before you use the product.

- Do not use a product with defective safety devices.
- Do a check of the safety devices regularly. If the safety devices are defective, speak to your Husqvarna service agent.

To do a check of the cutting cover

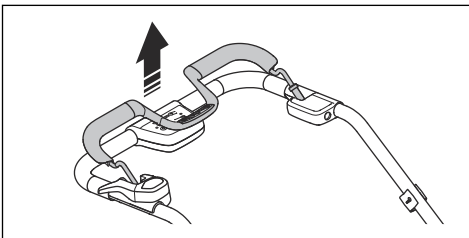
The cutting cover decreases vibrations in the product and decreases the risk of injury from the blade.

- Examine the cutting cover to make sure that there are no damages such as cracks.

Motor brake handle

The motor brake handle stops the motor. When the motor brake handle is released, the motor stops.

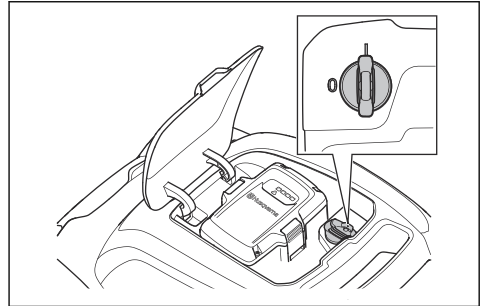
To do a check of the motor brake, start the motor and then release the motor brake handle. If the motor does not stop in 3 seconds, let an approved Husqvarna service agent adjust the motor brake.



Safety key (models LC 141IV and LC 141I)

The safety key is below the battery lid. The safety key connects the battery that supplies the motor with power.

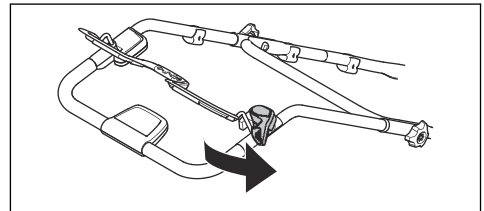
- Start and stop the motor to do a check of the safety key.
- If the safety key functions correctly, the motor only starts when the key is in position 1.



To examine the start inhibitor

Do a check of the start inhibitor to make sure that it prevents operation of the motor.

1. Push the motor brake handle in the direction of the handlebar. The start inhibitor stops the movement.
2. Push the start inhibitor out.



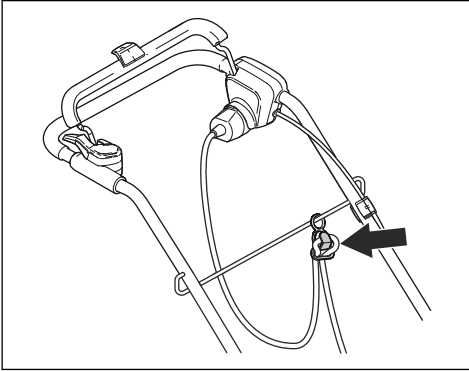
3. Release the start inhibitor and make sure that it goes back to its initial position.

To use the power cord holder (model LC 141C)

The power cord holder decreases the strain on the power socket and the power cord. The power cord holder also decreases the risk that you fall.

1. Bend the power cord to a small loop.
2. Put the loop in to the hole in the power cord holder.
3. Put the loop around the hook.

4. Pull the power cord to tighten the loop around the hook.



Battery safety



WARNING: Read the warning instructions that follow before you use the product.

- Use Husqvarna rechargeable batteries as a power supply for related Husqvarna products only. To prevent injury, do not use the battery as a power supply for other devices.
- Do not use non-rechargeable batteries.
- Risk of electrical shock. Do not connect the battery terminals to keys, coins, screws or other metal. This can cause a short circuit of the battery.
- Do not put objects into the air slots of the battery.
- Keep the battery away from sunlight, heat or open flame. The battery can explode and

cause burns and/or chemical burns.

- Keep the battery away from rain and wet conditions.
- Keep the battery away from microwaves and high pressure.
- Do not try to disassemble or break the battery.
- If the battery leaks, do not let the liquid touch your body or eyes. If you have touched the liquid, clean the area with a large quantity of water and get medical aid.
- Use the battery in temperatures between -10°C and 40°C .
- Do not clean the battery or the battery charger with water. See *To clean the battery and the battery charger on page 21*.
- Do not use a defective or damaged battery.
- Keep batteries in storage away from metal objects such as nails, coins, jewellery.

Battery charger safety



WARNING: Read the warning instructions that follow before you use the product.

- Use the QC battery chargers to charge Husqvarna replacement batteries only.
- Risk of electrical shock or short circuit. Do not put objects into the air slots of the charger. Do not try to disassemble the battery charger. Do not connect the charger terminals to metal objects. Use an approved mains socket.
- This product produces an electromagnetic field during operation. This field may under some circumstances interfere with active or passive medical implants. To reduce the risk of serious or fatal injury, we recommend persons with medical implants to consult their physician and the medical implant manufacturer before operating this product.
- Regularly make sure that the power cord of the battery charger is not damaged and that there are no cracks in it.
- Do not lift the battery charger by the power cord. To disconnect the battery charger from a mains socket, pull out the plug. Do not pull the power cord.
- Keep the power cord and extension cables away from water, oil and sharp edges. Make sure that the cable is not pinched in doors, fences or equivalent. It can cause the charger to become energized.
- Do not clean the battery charger with water.
- The battery charger can be used by children aged from 8 years and above and persons with reduced physical, sensory, or mental capabilities or lack of experience and knowledge if they have been given supervision or instruction concerning use of the battery charger in a safe way and understand the hazards involved. Children shall not play with the battery charger. Cleaning and user maintenance shall not be made by children without supervision.
- Do not charge non-rechargeable batteries in the battery charger.
- Do not use the battery charger near flammable materials or materials that can cause corrosion. Do not cover the battery charger. Pull out the plug to the battery charger if there is smoke or fire.
- Do not use a defective or damaged battery charger.

- Only charge the battery indoors in a room with good airflow and away from sunlight. Do not charge the battery in wet conditions.

Power cord safety

For model LC 141C.

- The use of a Residual Current Device (R.C.D.) with a tripping current of not more than 30mA is recommended. Even with an R.D.C. installed, 100% safety cannot be guaranteed and safe work procedures must be obeyed at all times. Do a check of your R.C.D. each time you use it.
- Immediately disconnect from the mains if the power cord is cut or the insulation is damaged.
- Do not touch a cut or damaged power cord until the electrical supply is disconnected.
- Do not repair a cut or damaged power cord. Replace it with a new one.

Safety instructions for maintenance



WARNING: Read the warning instructions that follow before you use the product.

- For model LC 141iV, LC 141i: To prevent accidental start during maintenance, turn the safety key to 0 and remove the battery. Wait at minimum 5 seconds before you start the maintenance.
- For model LC 141C: To prevent accidental start during maintenance, disconnect the power cord.
- Do the maintenance work correctly to increase the lifetime of the product and decrease the risk of accidents. Let an approved service agent do the professional repairs. Speak to your nearest service agent for more information.
- Only do the maintenance work written in this operator's manual. More extensive work must be done by an approved service agent.
- Put on heavy duty gloves when you use the cutting equipment. The blade is very sharp and cuts can easily occur.
- Keep the cutting edges sharp and clean for the best and safest performance.
- Let your service agent regularly examine the product and make necessary adjustments and repairs.
- Replace damaged, worn or broken parts.
- Obey the instructions for how to change accessories. Only

use accessories from the manufacturer.

- When not in operation, keep the product, battery and battery charger apart in a dry,

indoor and locked area. Make sure that children and persons that are not approved cannot get access to the product, battery or battery charger.

Assembly

Introduction



WARNING: Before you assemble the product, read the safety chapter.

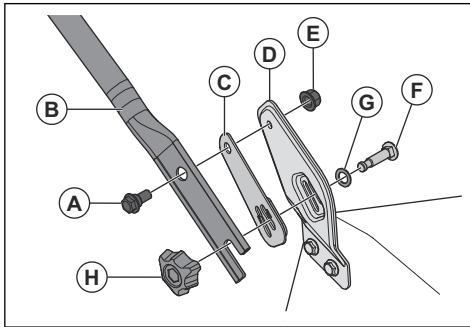


WARNING: For model LC 141iV, LC 141i: To prevent accidental start during assembly, turn the safety key to 0, remove the battery and wait at minimum 5 seconds.

For model LC 141C: To prevent accidental start during assembly, disconnect the power cord.

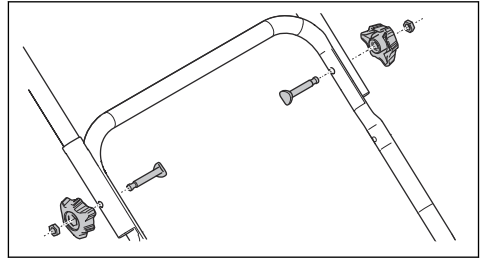
To assemble the handle

1. Push the screw (A) through the handle (B), the plastic washer (C) and the handle support bracket (D).

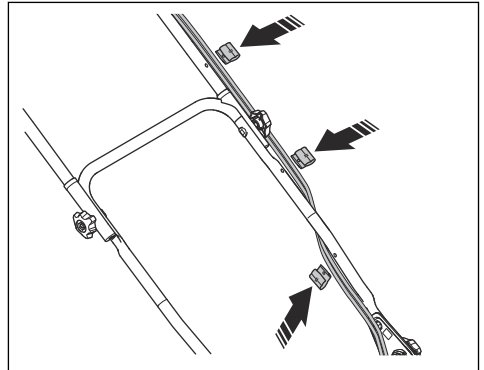


2. Tighten the nut (E) fully.
3. Push the screw (F) through the washer (G) and the handle support bracket.
4. Tighten the knob (H) fully.

5. Align the holes in the handlebar with the holes in the lower handle and attach the screws, washers and knobs. Tighten the knobs fully.

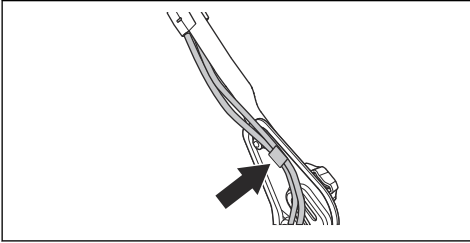


6. Attach the cables to the handle with the cable holders.



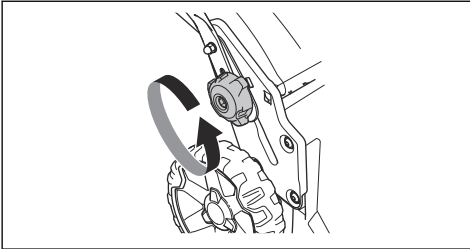
Note: Make sure that the tension in the cables is not too high. A too high tension can cause damage to the cable if the handle is folded to transport position.

- Put the cables around the hook at the bottom of the handle.

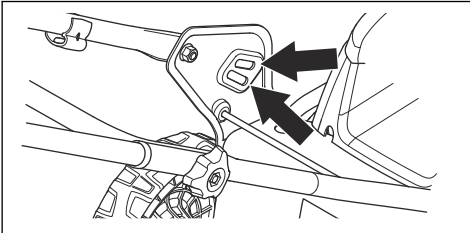


To adjust the handle height

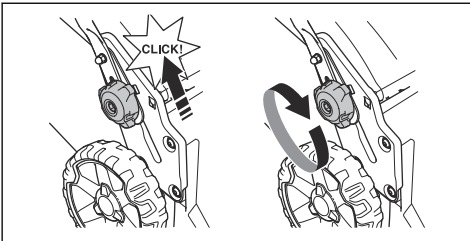
- Loosen the lower knobs.



- Remove the knob, washer, and screw on the left and the right side.
- The handle can be set to 2 different heights. Put the screw in one of the 2 holes on the left and the right side.

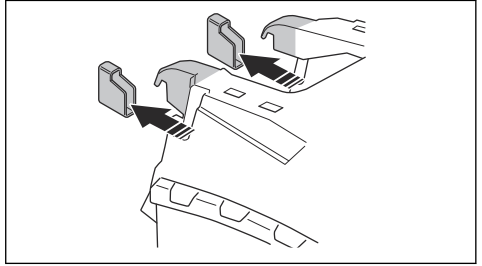


- Attach the screws, washers and knobs.
- Move the knobs up in the direction of the handle until they stop and you hear a click. Tighten the knobs fully.

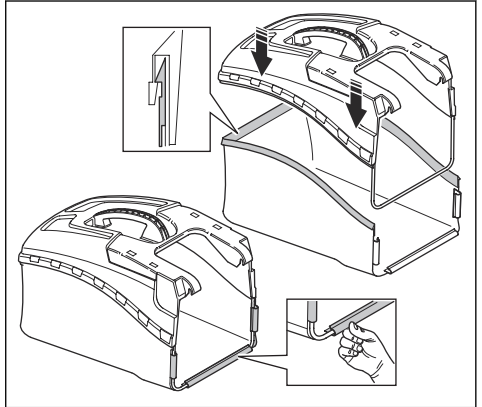


To assemble the grass catcher

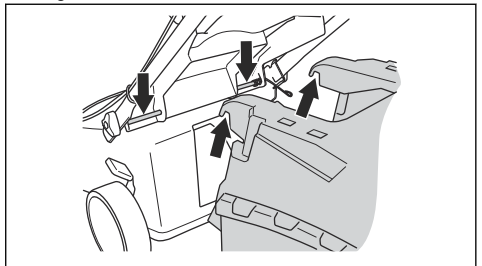
- Push the 2 transportation covers out and down.



- Put the top part of the grass catcher onto the lower part of the grass catcher. Attach the grass catcher frame with the clips.



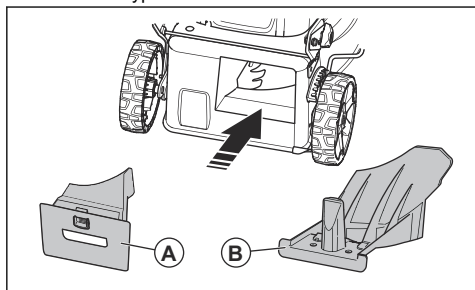
- Lift the rear cover.
- Attach the hooks on the grass catcher to the top edge of the chassis.



To assemble the mulching-kit

- Lift up the rear cover and remove the grass catcher.

- Put the mulch plug into the grass discharge channel. The mulch plug of type A is for LC 141i and LC 141C. Type B is for LC 141iV.



- Close the rear cover.
- Replace the blade with the Combi blade, see *To remove and replace the blade on page 21*.

Operation

Introduction



WARNING: Before you operate the product, you must read and understand the safety chapter.

Husqvarna Connect

Husqvarna Connect is a free app for your mobile device. The Husqvarna Connect app gives extended functions for your Husqvarna product:

- Extended product information.
- Information about, and help with, product parts and servicing.

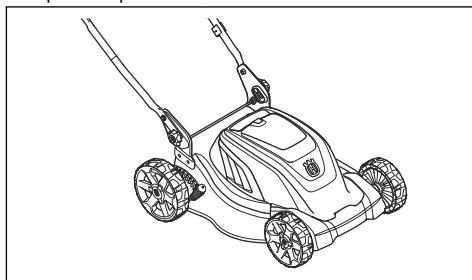
To start to use Husqvarna Connect

- Download the Husqvarna Connect app on your mobile device.
- Register in the Husqvarna Connect app.
- Do the instruction steps in the Husqvarna Connect app to connect and register the product.

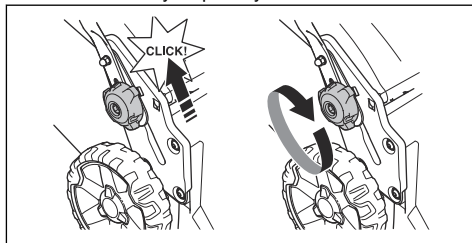
To set the product in operation position

If the handle is put in transport and storage position (see *To set the product in transport position on page 23*), do the procedure that follows to put the handle in operation position.

- Lift the handle until the lower handle locks into operation position.

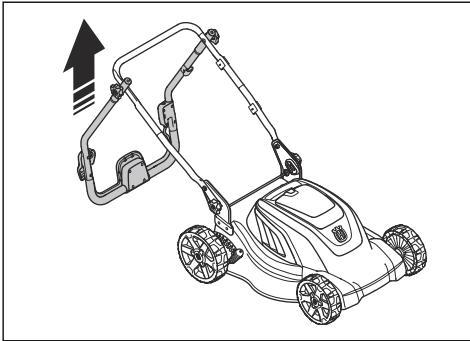


- Move the lower knobs up in the direction of the handle until they stop and you hear a click.



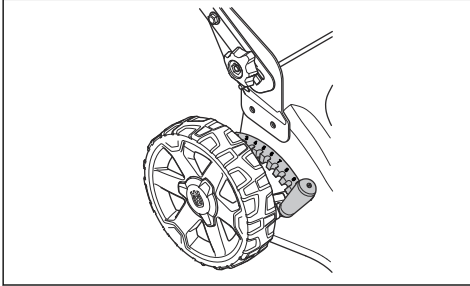
- Tighten the knobs.

4. Lift the upper handle and tighten the knobs.



To set the cutting height

1. Move the cutting height lever rearward to increase the cutting height.
2. Move the cutting height lever forward to decrease the cutting height.



CAUTION: Do not set the cutting height too low. The blades can hit the ground if the surface of the lawn is not level.

Battery

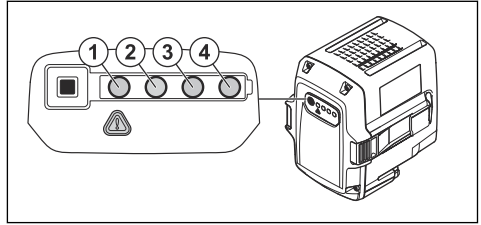


WARNING: Before you use the battery, you must read and understand the safety chapter. You must also read and understand the operator's manual for the battery and the battery charger.

Battery status

The display shows the remaining battery capacity and if there are problems with the battery. The battery capacity is shown for 5 seconds after the product is switched off or the battery indicator button is pressed. The warning

symbol on the battery is on when an error has occurred. See *Battery on page 22*.



LED lights	Battery status
All LEDs are lit	Fully charged (75-100%)
LED 1, LED 2, LED 3 are lit	The battery is 50%-75% charged
LED 1, LED 2 are lit	The battery is 25%-50% charged
LED 1 is lit	The battery is 0%-25% charged.
LED 1 flashes	The battery is empty. Charge the battery.

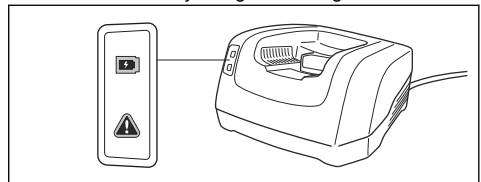
To charge the battery

Charge the battery before the first use. The battery is only 30% charged when supplied to the customer.

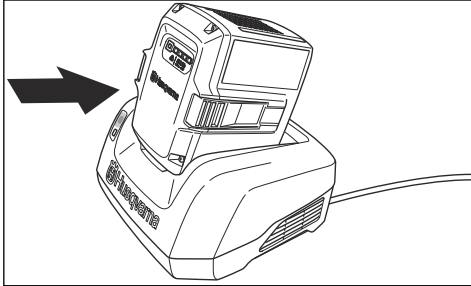
Note: The battery charger must be connected to the voltage and frequency specified on the rating plate.

The battery does not charge if the battery temperature is above 50°C. The battery charger decreases the temperature of the battery before it starts to charge.

1. Connect one end of the power cord for the battery charger into the socket of the battery charger.
2. Connect the other end of the power cord for the battery charger in an grounded mains socket. The LED on the battery charger flashes green one time.



- Put the battery in the battery charger. The green light on the charger comes on when the battery is correctly connected to the battery charger.



- When all LEDs on the battery have come on the battery is fully charged. Charge the battery for maximum 24 hours.
- To disconnect the battery charger from the mains socket, pull the plug, not the power cord.
- Remove the battery from the battery charger.

Battery charging status

A Husqvarna Li-ion battery can be charged or used at all charging levels. The battery is not damaged. A fully charged battery will not decrease its charge when the battery is left in the charger.

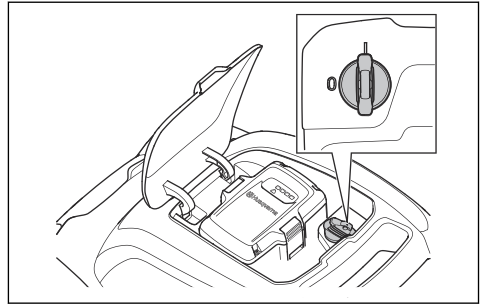
LED display	Charging status
LED 1 flashes	0%-25%
LED 1 is lit, LED 2 flashes	25%-50%
LED 1, LED 2 are lit, LED 3 flashes	50%-75%
LED 1, LED 2, LED 3 are lit, LED 4 flashes	75%-100%
LED 1, LED 2, LED 3, LED 4 are lit	Fully charged

To operate LC 141iV and LC 141i

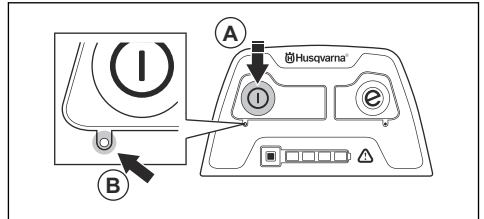
To start the product

- Put a charged battery in the battery compartment.

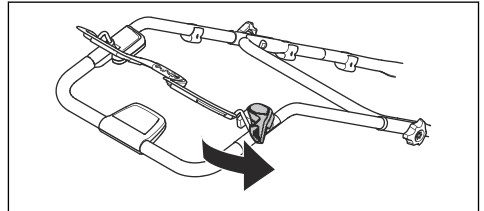
- Turn the safety key to 1.



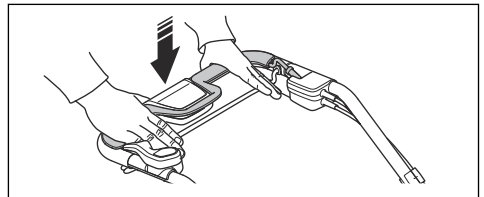
- Stay behind the product.
- Press the ON/OFF button (A) on the control panel and the green LED (B) comes on.



- Loosen the start inhibitor.

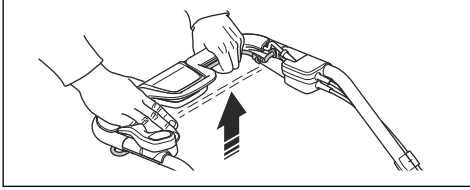


- Push the motor brake handle in the direction of the handlebar.

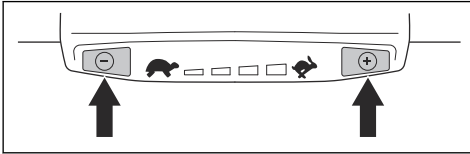


To use the drive on the wheels

- Model LC 141iV. Pull the drive bail in the direction of the handlebar to start the drive.



- Press + and - on the control panel to set the drive speed in 4 steps.

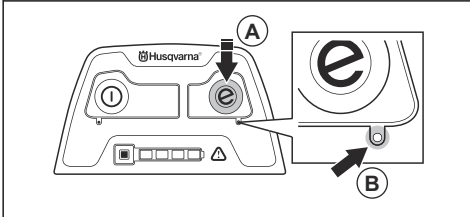


- Release the drive bail to disengage the drive, for example when you go near an obstacle.

To use the SavE function

The product has a battery saving function (SavE) that gives longer operation time.

1. Press the SavE button (A) to start the function. The green LED comes on.



2. Press the SavE button again to stop the function. The green LED (B) goes out.

The SavE function stops automatically if the ground conditions make it necessary to have a higher output. The SavE function starts automatically when the ground conditions let it.

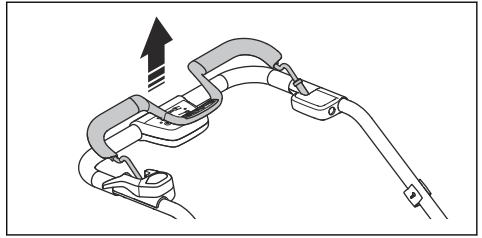
High load function

When the product cuts long or wet grass, the motor automatically increases rpm. The motor goes back to standard mode when high load is not necessary.

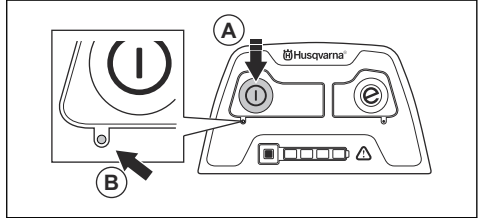
To stop the product

The product stops automatically if you do not operate it for 10 minutes. Always turn the safety key to 0 before you let the product out of view.

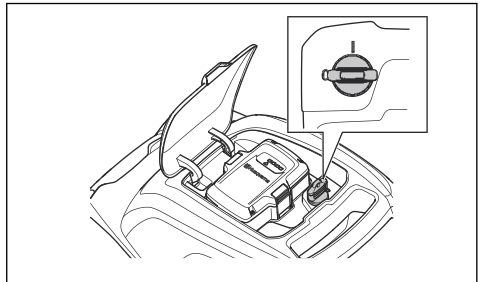
1. Release the motor brake handle to stop the motor.



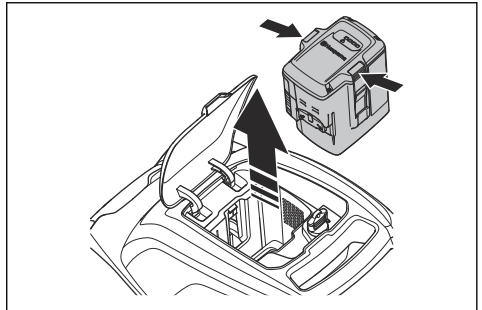
2. Press the ON/OFF button (A) on the control panel and the green LED (B) goes out.



3. Open the battery lid and turn the safety key to 0.



4. To remove the battery, press the 2 release buttons and pull out the battery.



5. Charge the battery if it is weak. For more information, see *To charge the battery on page 16*.

To operate LC 141C

To select an approved cable (LC 141C)

Note: For the UK market, use only the 16M extension cable that comes with the product. For all other markets, refer to the information below.

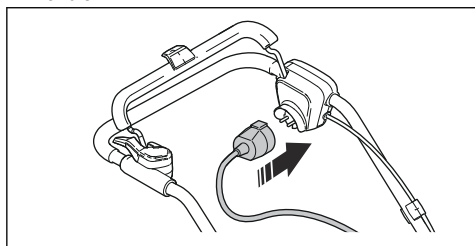
If extension cables are used, these must comply with the minimum cross-sections in the table below:

Voltage	Cable length	Cross section
220-240V/ 50Hz	Up to 20 m	1.5 mm ²
220-240V/ 50Hz	20-50 m	2.5 mm ²

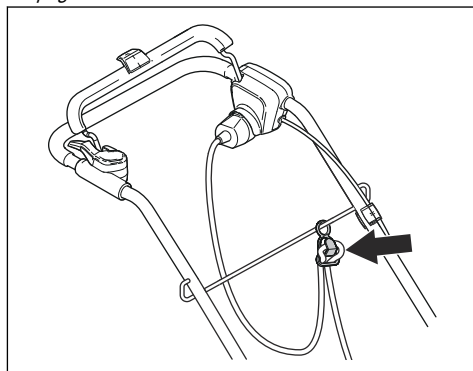
- Mains cables and extension cables are available from your local approved service agent for Husqvarna outdoor products.
- Only use extension cables specifically designed for outdoor use and which conform to one of the following specifications: Ordinary rubber (60245 IEC 53), Ordinary PVC (60227 IEC 53) or Ordinary PCP (60245 IEC 57)
- If the cable is damaged, it must be replaced by the manufacturer, its service agent or similarly qualified persons in order to avoid a hazard.

To start the product

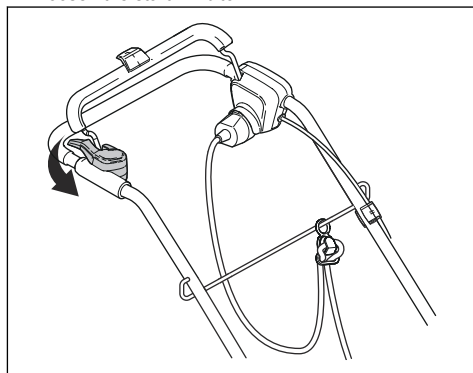
1. Connect a power cord to the socket below the handle.



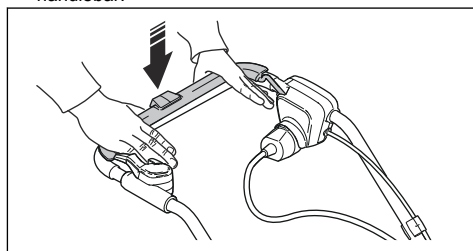
2. Put the power cord in the power cord holder. Refer to *To use the power cord holder (model LC 141C) on page 9.*



3. Stay behind the product.
4. Loosen the start inhibitor.

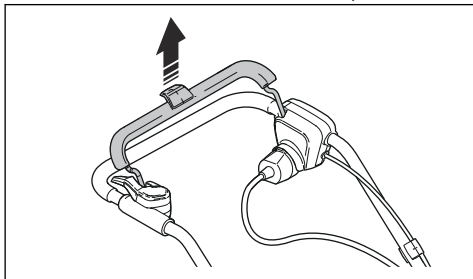


5. Push the motor brake handle in the direction of the handlebar.

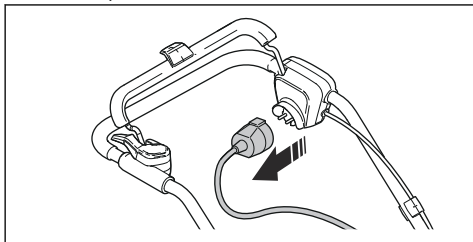


To stop the product

1. Release the motor brake handle to stop the motor.



2. Disconnect the power cord from the mains and then from the product.



CAUTION: Pull the plug straight out. Do not pull the power cord.

To get a good result

- Always use a sharp blade. A blunt blade gives an irregular result and the cut surface of the grass becomes yellow. A sharp blade also uses less energy than a blunt blade.
- Do not cut more than $\frac{1}{3}$ of the length of the grass. Cut first with the cutting height set high. Examine the result and lower the cutting height to an applicable level. If the grass is very long, drive slowly and cut 2 times if necessary.
- Cut in different directions each time to prevent stripes in the lawn.

Maintenance

Introduction



WARNING: Before you do maintenance, you must read and understand the safety chapter.

For all servicing and repair work on the product, special training is necessary. We guarantee the availability of professional repairs and servicing. If your dealer is not a

service agent, speak to them for information about the nearest service agent.

Maintenance schedule

The maintenance intervals are calculated from daily use of the product. The intervals change if the product is not used daily.

For maintenance identified with *, refer to *Safety devices on the product on page 9*.

LC 141IV, LC 141i and LC 141C	Each use	Monthly	Each season
Do a general inspection.	X		
Clean the product.	X		
Do a check of the start inhibitor *.	X		
Make sure that the safety devices on the product are not defective *.	X		
Examine the cutting equipment.	X		
Examine the cutting cover *.	X		
Do a check of the motor brake handle *.	X		

LC 141iV and LC 141i only	Each use	Monthly	Each season
Make sure that the ON/OFF button operates correctly and is not defective.	X		
Examine the battery for damage.	X		
Do a check of the battery charge.	X		
Make sure that the release buttons on the battery operates correctly and that the battery locks into the product.	X		
Examine the battery charger for damage and make sure that it operates correctly.		X	
Examine the connections between the battery and the product. Also examine the connection between the battery and the battery charger.			X

To do a general inspection

- Make sure that the nuts and screws on the product are tightened.
- Make sure that the cables on the product are not in a position where they can get damaged.

To clean the product

- Clean plastic parts with a clean and dry cloth.
- Do not use water to clean the product. Water can enter the battery or the motor and cause short circuit or damage to the product.
- Do not use a high pressure washer to clean the product.
- Do not flush water directly on the motor.
- Use a brush to remove leaves, grass and dirt.

To clean the battery and the battery charger



CAUTION: Do not clean the battery or the battery charger with water.

- Make sure that the battery and the battery charger are clean and dry before you put the battery into the battery charger.
- Clean the battery terminals with compressed air or use a soft and dry cloth.
- Clean the surfaces of the battery and the battery charger with a soft and dry cloth.

To examine the cutting equipment



WARNING: For models LC 141iV and LC 141i: To prevent accidental start, turn the safety key to 0, remove the battery and wait at minimum 5 seconds.

For model LC 141C: To prevent accidental start, disconnect the power cord.



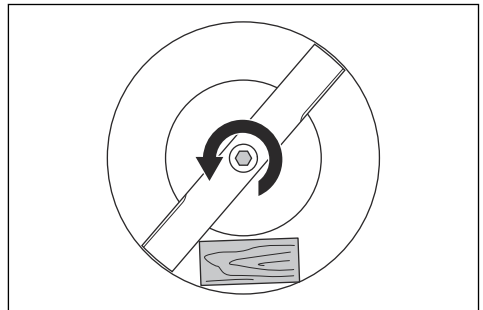
WARNING: Use protective gloves when you do maintenance on the cutting equipment. The blade is very sharp and cuts can easily occur.

1. Examine the cutting equipment for damage or cracks. Always replace a damaged cutting equipment.
2. Look at the blade to see if it is damaged or blunt.

Note: It is necessary to balance the blade after it is sharpened. Let a service center sharpen, replace and balance the blade. If you hit an obstacle that causes the product to stop, replace the damaged blade. Let the service center estimate if the blade can be sharpened or must be replaced.

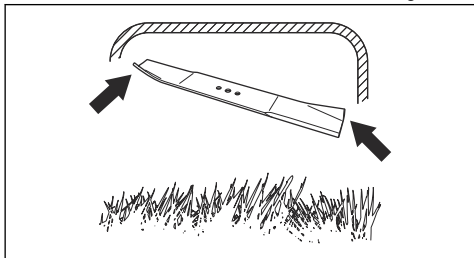
To remove and replace the blade

1. Lock the blade with a block of wood.

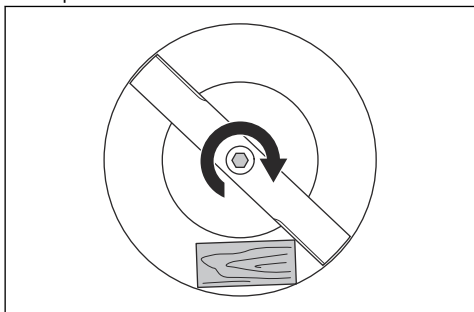


2. Remove the blade bolt.
3. Remove the blade.
4. Examine the blade support and blade bolt to see if there are damages.
5. Examine the motor shaft to make sure that it is not bent.

6. When you attach the new blade, point the angled ends of the blade in the direction of the cutting cover.



7. Make sure that the blade is aligned with the center of the motor shaft.
8. Lock the blade with a block of wood. Attach the spring washer and tighten the bolt and washer with a torque of 20 Nm.



9. Pull the blade around by hand and make sure that it turns freely.



WARNING: Use heavy duty gloves. The blade is very sharp and cuts can easily occur.

10. Start the product to do a test of the blade. If the blade is not correctly attached, there is vibration in the product or the cutting result is unsatisfactory.

Troubleshooting

Battery

LED on the battery	Cause	Solution
The green LED flashes.	The battery voltage is low.	Charge the battery. Refer to <i>To charge the battery on page 16</i> .
The error LED flashes.	The battery is weak.	Charge the battery. Refer to <i>To charge the battery on page 16</i> .
	The temperature in the work environment is too high or too low.	Use the battery in temperatures between -10°C and 40°C.
	Overvoltage.	Make sure that the mains voltage is the same as on the rating plate on the product. Remove the battery from the battery charger. Wait 5 seconds and try again to charge the battery. If the problem continues, speak to an approved service agent.
The error LED is on.	The cell difference too much (1V).	Speak to an approved service agent.

Battery charger

LED on the battery charger	Cause	Solution
The error LED flashes.	The temperature in the work environment is too high or too low.	Use the battery charger in temperatures between 5°C and 40°C.
The error LED is on.		Speak to an approved service agent.

Control panel

For problems, other than those in this section, speak to your service agent.

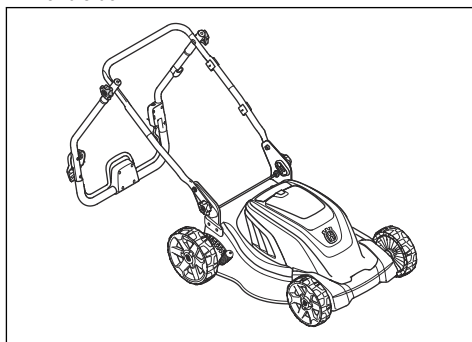
Keypad	Possible faults	Possible action
Error LED flashes	The motor is overloaded	Increase the cutting height. See <i>To set the cutting height on page 16</i> .
	The motor speed drops too much, and the motor stops	
	The motor control is too hot	Stop the motor and wait until it has become cool
	The blade is blocked	To prevent accidental start turn the safety key to 0, remove the battery and wait a minimum 5 seconds. Make sure that the blade can rotate freely. If the problem continues, speak to an authorised service agent
	Battery error or no signal from battery	Put the battery in the product correctly and examine the battery connector. If the error LED on the battery flashes, see <i>Battery on page 22</i> .
The product stops	The battery is weak	Charge the battery. See <i>To charge the battery on page 16</i> .
	Battery connector failure	Examine the battery connector

Transportation, storage and disposal

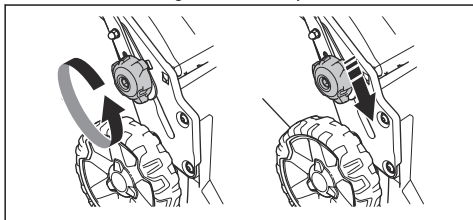
To set the product in transport position

1. Remove the grass catcher (if installed).

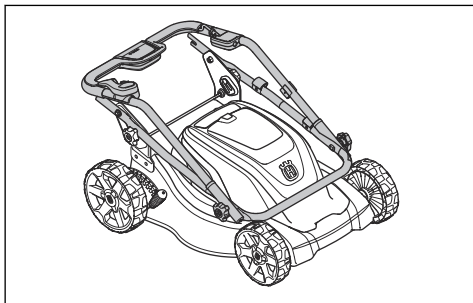
2. Loosen the knobs on the upper handle and fold the handle down.



3. Loosen the lower knobs.
4. Move the knobs to the lower end of the grooves on the left and the right side of the product.



5. Fold the handle forward.



Transportation

- The Dangerous Goods Legislation requirements apply to the contained Li-ion batteries.
- For commercial transports special requirements on package and labels must be obeyed.
- Make sure that you obey the regulations for dangerous material when you prepare the product for transport. Local regulations can apply.
- Always remove the battery for transport.
- Put tape on the battery connectors and make sure that the battery cannot move around during transport.
- Attach the product during transport.

Storage

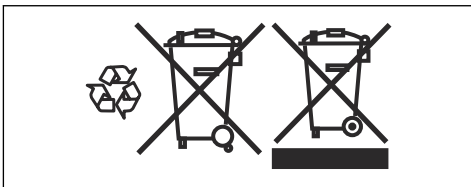
- Always remove the battery for storage.

- To prevent accidents, make sure that the battery is not connected to the product during storage.
- Keep the battery charger in a closed and dry space.
- Keep the battery and the battery charger in a dry space where there is no moisture or frost.
- Disconnect the battery from the battery charger during storage.
- Do not keep the battery where static electricity can occur. Do not keep the battery in a metal box.
- Keep the battery where the temperature is between 5°C and 25°C and out of sunlight.
- Keep the battery charger where the temperature is between 5°C and 45°C and out of sunlight.
- Make sure that the battery is charged to 30% - 50% before you put it in storage for long periods.
- Keep the product, battery and battery charger in a locked area out of reach for children and not approved persons.
- Clean the product and do a complete servicing before you put the product in storage for a long time.

Disposal

Symbols on the product or the packaging of the product indicate that this product cannot be handled as domestic waste. It must be submitted to an appropriate recycling station for the recovery of electrical and electronic equipment.

By ensuring that this product is taken care of correctly, you can help to counteract the potential negative impact on the environment and people that can otherwise result through the incorrect waste management of this product. For more detailed information about recycling this product, contact your municipality, your domestic waste service or the shop from where you purchased the product.



Technical data

Technical data LC 141iV, LC 141i

	LC 141iV	LC 141i
Cutting motor		
Motor type	BLDC (brushless) 36V	BLDC (brushless) 36V
Motor speed – SavE, rpm	2700	2700
Motor speed – Nominal, rpm	3100	3100

	LC 141iV	LC 141i
Motor speed – High load, rpm	3700	3700
Motor output – max. kW	0.8	0.8
Motor output – Nominal, kW	0.55	0.55
Drive motor		
Motor output – Nominal, kW	0.25	NA
Self walk speed, km/h	3.0–4.5	NA
Speed adjustment levels	4	NA
Weight		
Weight without battery, kg	21.5	18.6
Battery ¹		
Type of battery	Husqvarna Battery Series	Husqvarna Battery Series
Battery runtime		
Battery runtime, min, (free run) with SavE activated, with one Husqvarna 5.2 Ah battery (BLi200).	77	77
Battery runtime, min, (free run) with standard mode activated, with one Husqvarna 5.2 Ah battery (BLi200).	45	45
Noise emissions ²		
Sound power level, measured dB (A)	88	88
Sound power level, guaranteed L _{WA} dB (A)	89	89
Sound levels ³		
Sound pressure level at the operators ear, dB (A)	83	83
Vibration levels ⁴		
Handle, m/s ²	2.0	2.0
Cutting		
Cutting height, mm	25–70	25–70
Cutting width, cm	41	41
Blade, article number	Collect - 5011716-01	Collect - 5011716-01
Bagger capacity, litre	50	50

¹ For best results and performance the Husqvarna battery BLi200 is recommended.

² Noise emissions in the environment measured as sound power (L_{WA}) in conformity with EC directive 2000/14/EC.

³ Reported data for noise pressure level has a typical statistical dispersion (standard deviation) of 1.2 dB (A).

⁴ Reported data for vibration level has a typical statistical dispersion (standard deviation) of 0.2 m/s².

Approved batteries	Brand	Type	Battery capacity, Ah	Voltage, V	Weight, lb/kg
BLi10	Husqvarna	Lithium-ion	2.0	36	1.8/0.8
BLi100	Husqvarna	Lithium-ion	2.6	36	1.9/0.8
BLi20	Husqvarna	Lithium-ion	4.0	36	2.7/1.2
BLi200	Husqvarna	Lithium-ion	5.2	36	2.8/1.3
BLi300	Husqvarna	Lithium-ion	9.4	36	4.1/1.9

Approved chargers for the specified batteries,	Brand	Input voltage, V	Frequency, Hz	Power, W
QC80	Husqvarna	100–240	50–60	80
QC80F	Husqvarna	12	0	80
QC250	Husqvarna	220-240	50	250
QC330	Husqvarna	100–240	50–60	330
QC500	Husqvarna	100–240	50–60	500

Technical data LC 141C

LC 141C	
Motor	
Motor type	Series AC Motor
Motor speed – Nominal, rpm	3200
Power	1800 W
Power source	Corded electric
Power cable (included for the UK market only)	
Cable type	16M extension cord
Weight, kg	1.6
Weight	
Weight, kg	20.4
Noise emissions ⁵	
Sound power level, measured dB (A)	93
Sound power level, guaranteed L _{WA} dB (A)	95
Sound levels ⁶	

⁵ Noise emissions in the environment measured as sound power (L_{WA}) in conformity with EC directive 2000/14/EC.

⁶ Reported data for noise pressure level has a typical statistical dispersion (standard deviation) of 1.4 dB (A).

	LC 141C
Sound pressure level at the operators ear, dB (A)	85
Vibration levels ⁷	
Handle, m/s ²	2.0
Cutting	
Cutting height, mm	25–70
Cutting width, cm	41
Blade, Article number	Collect 5011716-01
Bagger capacity, litre	50

⁷ Reported data for vibration level has a typical statistical dispersion (standard deviation) of 0.2 m/s².

EC Declaration of Conformity

EC Declaration of Conformity

Husqvarna AB, SE-561 82 Huskvarna, Sweden, tel: +46-36-146500, declares that the **lawn mowers Husqvarna LC 141iV and LC 141i** from serial number 2018XXXXXXX and onwards and **Husqvarna LC 141C** from serial number 2015XXXXXXX, comply with the requirements of the COUNCIL'S DIRECTIVE:

- of June 8, 2011 on the "restriction of use of certain hazardous substances" **2011/65/EU**
- of May 17, 2006 "relating to machinery" **2006/42/EC**
- of February 26, 2014 "relating to electromagnetic compatibility" **2014/30/EU**
- of May 8, 2000 "relating to the noise emissions in the environment" **2000/14/EC**

For information relating to noise emissions, refer to the Technical data chapter.

The following standards have been applied for the certification of Husqvarna LC 141iV and LC 141i: **IEC 60335-2-77:2002, IEC 60335-1:2010+A1:2013, EN 55014-1:2017, EN 55014-2:2015, EN 61000-3-2:2014, EN 61000-3-3:2013, EN 62233:2008**

The following standards have been applied for the certification of Husqvarna LC 141C: **EN 60335-1:2012+A11:2014, EN 60335-2-77:2010, EN 62233:2008, EN 55014-1:2017+A11, EN 55014-2:2015, EN 61000-3-2:2019, EN 61000-3-11:2019**

Notified body: **0404, RISE SMP Svensk Maskinprovning AB, Box 7035, SE-750 07 Uppsala** has performed conformity assessment according to Annex VI of Directive 2000/14/EC.

Huskvarna, 2020-10-13



Claes Losdal, Development Manager/Garden Products
(Authorized representative for Husqvarna AB and responsible for technical documentation.)

Съдържание

Въведение.....	29	Отстраняване на проблеми.....	52
Безопасност.....	33	Транспортиране, съхранение и изхвърляне.....	53
Монтаж.....	42	Технически данни.....	55
Операция.....	44	Декларация за съответствие на ЕО.....	58
Поддръжка.....	50		

Въведение

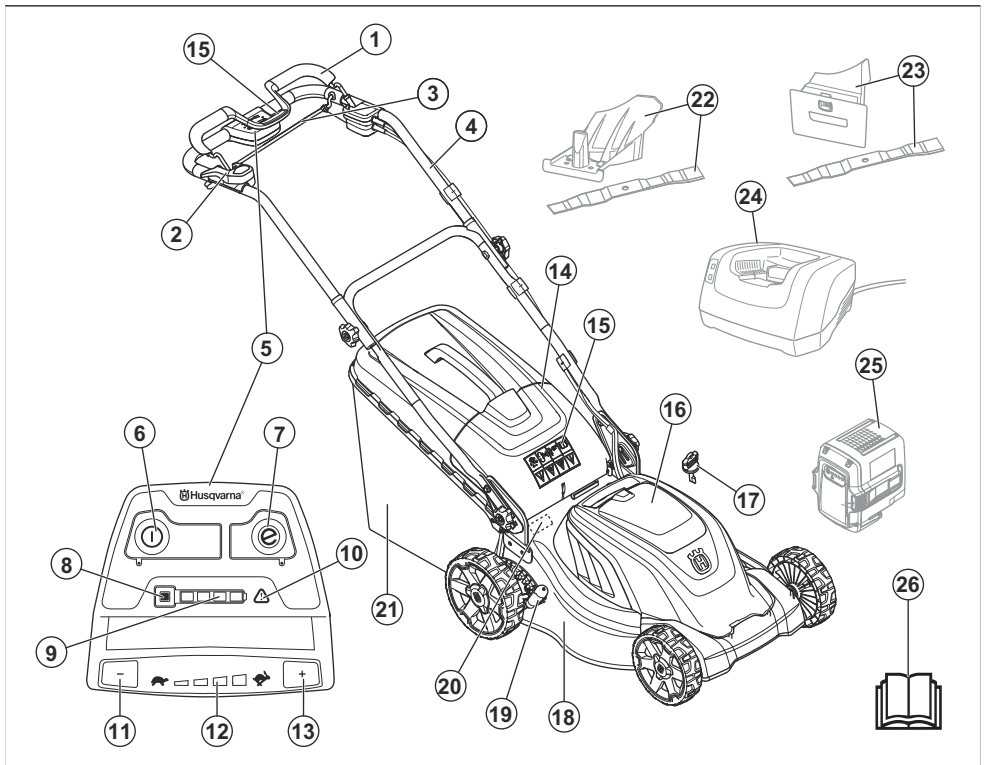
Описание на продукта

Продуктът е пешеходна ротационна косачка. Тревата се събира в кош за трева. Свалете коша за трева, за да се получи задно разтоварване на тревата. Поставете комплект за мулчиране (допълнителна принадлежност), за да нарежете тревата в тора.

Предназначение

Използвайте продукта за косене на трева. Не използвайте продукта за други задачи.

Общ преглед на продукта LC 141iV/LC 141i

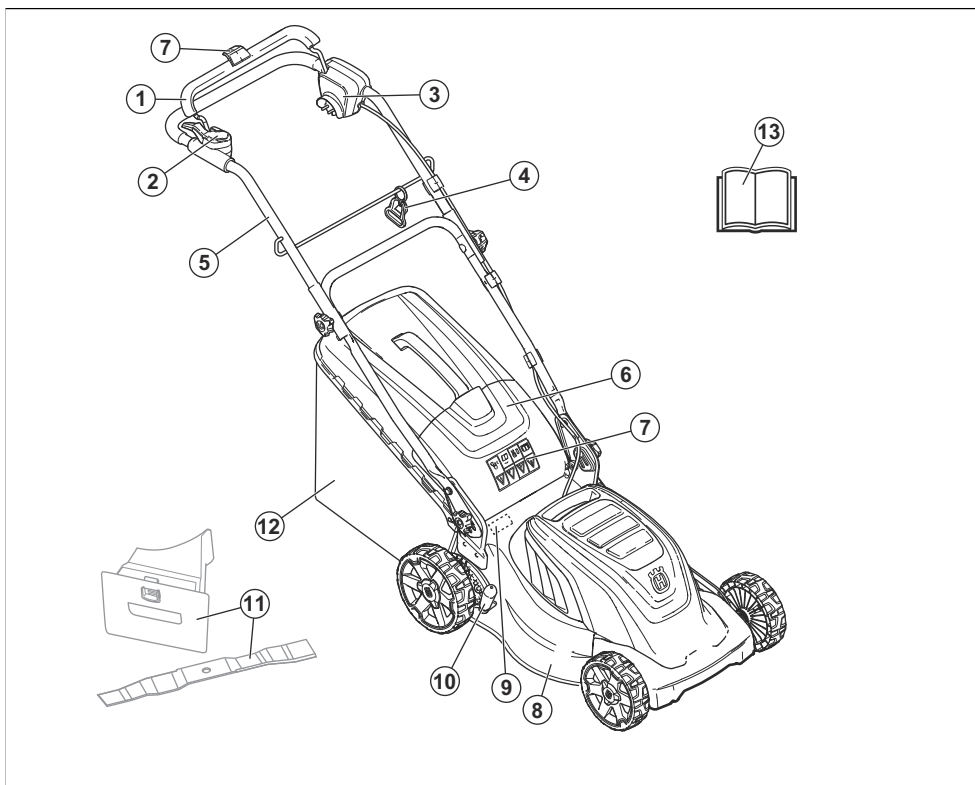


1. Ръкохватка за спиращката на двигателя
2. Инхибитор за стартиране
3. Дръжка за задвижване (LC 141iV)

4. Дръжка/управление
5. Пулт за управление
6. Бутон за ВКЛ./ИЗКЛ.

- | | |
|---|--|
| 7. Бутон SavE | 17. Ключ за безопасност |
| 8. Бутон за индикатора на батерията | 18. Капак срещу порязване |
| 9. Индикатор за състояние на акумулатора | 19. Лост за височината на рязане |
| 10. Индикатор за предупреждение (СВЕТОДИОД ЗА ГРЕШКА) | 20. Табелка за модела |
| 11. Бутон за намаляване на скоростта (LC 141iV) | 21. Кош за трева |
| 12. Индикатор за изравняване на скоростта (LC 141iV) | 22. Комплект за мулчиране (аксесоар за LC 141iV) |
| 13. Бутон за увеличаване на скоростта (LC 141iV) | 23. Комплект за мулчиране (аксесоар за LC 141i) |
| 14. Заден капак | 24. Зарядно устройство за акумулатор (Принадлежност) |
| 15. Символи | 25. Акумулатор (Принадлежност) |
| 16. Капак на акумулатора | 26. Инструкция за експлоатация |

Общ преглед на продукта LC 141C



- | | |
|--|---------------------------------------|
| 1. Ръкохватка за спирачката на двигателя | 9. Табелка за модела |
| 2. Инхибитор за стартиране | 10. Лост за височината на рязане |
| 3. Гнездо на захранващия кабел | 11. Щифт за мулчиране (Принадлежност) |
| 4. Държач на захранващия кабел | 12. Кош за трева |
| 5. Дръжка/управление | 13. Инструкция за експлоатация |
| 6. Заден капак | |
| 7. Символи | |
| 8. Капак срещу порязване | |

Символи върху машината



Невнимателното или погрешното използване на продукта може да доведе до нараняване или смърт на оператора или наблюдатели.



Прочетете ръководството за оператора и се уверете, че разбирате инструкциите, преди да използвате този продукт.



Дръжте хората и животните на безопасно разстояние от работната зона.



Пазете се от отскачащи предмети и рикошети.



Предупреждение: Дръжте ръцете и краката си далеч от въртящия се нож.



Предупреждение: Дръжте ръцете и краката си далеч от въртящи се части.



Извадете ключа за безопасност преди извършване на техническа поддръжка на продукта. (модел LC 141iV/LC 141i)



Преди да извършите техническата поддръжка, изключете уреда от електрическия контакт. (модел LC 141C)

IPX1

IPX1 – продуктът е със защита от капеща вода (модел LC 141iV/ LC 141i)

IPX4


IPX4 – продуктът е със защита от напръскване с вода (модел LC 141C)



Продуктът не трябва да бъде изложен на дъжд (модел LC 141iV/ LC 141i)



Предупреждение: При работа с продукта не преминавайте върху захранващия шнур, тъй като това може да доведе до електрически удар или повреда на продукта. (модел LC 141C)

 Този продукт отговаря на изискванията на приложимите директиви на ЕО.



Шумови емисии в околната среда в съответствие с Директивата на Европейската общност. Емисиите на продукта са посочени в раздела за технически характеристики и на табелката.

 Прав ток. 36V



Двойна изолация.



Рециклирайте този продукт на място за рециклиране – за електрическо и електронно оборудване. (Валидно само за Европа)



Процедура по стартиране за модел LC 141iV/ LC 141i: натиснете бутон за ВКЛ./ ИЗКЛ., разхлабете инхибитора за стартиране, натиснете ръкохватката на спирачката на двигателя надолу.



Процедура по стартиране за модел LC 141C: разхлабете инхибитора за стартиране, натиснете ръкохватката на спирачката на двигателя надолу.



Освободете ръкохватката на спирачката на двигателя за спиране.



Бавно



Бързо



Код с възможност за сканиране

Забележка: Останалите символи/стикери на машината се отнасят до изисквания по отношение на сертификати за определени пазари.

Отговорност за продукта

Както е посочено в законите за отговорност за вреди, причинени от стоки, ние не носим отговорност за щети, причинени от нашия продукт, ако:

- продуктът е неправилно ремонтиран.
- продуктът е ремонтиран с части, които не са от производителя или не са одобрени от производителя.
- продуктът има принадлежност, която не е от производителя или не е одобрена от производителя.
- продуктът не е ремонтиран в одобрен сервизен център или от одобрен орган.

Безопасност

Дефиниции за безопасност

Предупреждения, знаци за внимание и бележки се използват за указване на особено важни части на инструкцията.



ПРЕДУПРЕЖДЕНИЕ: Използва се, ако има опасност от нараняване или смърт за оператора или за околните, ако не се спазват инструкциите в ръководството.



ВНИМАНИЕ: Използва се, ако има опасност от повреждане на машината, други материали или съседната зона, ако не се спазват инструкциите в ръководството.

Забележка: Използва се за предоставяне на повече информация, която е необходима в дадена ситуация.

Общи инструкции за безопасност



ПРЕДУПРЕЖДЕНИЕ: Прочетете следващите предупредителни указания, преди да използвате машината.

- Този продукт е опасен, ако се използва неправилно или

ако не сте внимателни. Неспазването на инструкциите за безопасност може да доведе до нараняване или смърт.

- Тази машина създава електромагнитно поле по време на работа. При някои условия това поле може да интерферира с активни или пасивни медицински имплантанти. За да намалите риска от тежко или смъртоносно нараняване, ние препоръчваме лицата с медицински импланти да говорят с лекаря си и производителя на производителя на медицинския имплант, преди да започнат да работят с тази машина.
- Винаги бъдете внимателни и подхождайте разумно. Ако не сте сигурни как да работите с продукта при специална ситуация, спрете

и се обърнете към Вашия дилър на Husqvarna, преди да продължите.

- Имайте предвид, че операторът носи отговорност за нещастни случаи, включващи други хора или тяхното имущество.
- Поддържайте продукта чист. Уверете се, че разчитате ясно знаците и стикерите.
- Никога не позволявайте на деца или на хора, непознати с тези инструкции, да използват уреда. Местните разпоредби може да поставят възрастови ограничения за оператора
- Винаги наблюдавайте лица с намален физически или умствен капацитет, които използват продукта. През цялото време трябва да присъства отговорен възрастен.
- Не използвайте продукта, ако сте уморени, болни или под въздействието на алкохол, наркотици или лекарства. Това състояние оказва отрицателно въздействие върху Вашето зрение, бдителност, координация и преценка.

- Не използвайте продукта, ако е неизправен.
- Не променяйте този продукт или не го използвайте, ако има вероятност той да е бил променен от друг.

Безопасност на работната област



ПРЕДУПРЕЖДЕНИЕ:
Прочетете следващите предупредителни указания, преди да използвате машината.

- Отстранете препятствия като клони, пръчки и камъни от работната зона, преди да използвате продукта.
- Обектите, които се удрят в режещото оборудване, могат да бъдат изхвърлени и да причинят нараняване на лицата и щети на предметите. Дръжте страничните наблюдатели и животните на безопасно разстояние от продукта.
- Никога не използвайте продукта в лошо време – например при мъгла, дъжд, силни ветрове, много силен студ и риск от мълнии. Използването на продукта в лошо време или върху влажни или мокри терени е

изморително. Лошото време може да създаде опасни условия, като например хлъзгави повърхности.

- Внимавайте за лица, предмети и ситуации, които могат да са причина за намаляване на безопасната работа на продукта.
- Внимавайте за препятствия като корени, камъни, клони, ями и канавки. Дългата трева може да крие препятствия.
- Косенето на трева на склон може да бъде опасно. Не косете прекомерно стръмни склонове. Не работете с продукта, когато наклонът на повърхността е повече от 15°
- Бъдете изключително внимателни, когато сменяте посоката на движение по наклони. Използвайте продукта напречно на склона. Не се движете нагоре и надолу.
- Внимавайте, когато преминавате покрай закриват ъгли и предмети, които скриват зрителното Ви поле.

Безопасност при работа



ПРЕДУПРЕЖДЕНИЕ:

Прочетете следващите предупредителни указания, преди да използвате машината.

- Използвайте този продукт само за косене на морави. Не се допуска използването му за други цели.
- Използвайте лични предпазни средства. Вижте *Лични предпазни средства на страница 37*.
- Уверете се, че знаете как бързо да спрете двигателя при аварийна ситуация.
- Не използвайте продукта при дъжд или влага. Опасността от токов удар се повишава при навлизане на вода в продукта.
- Не работете с продукта, докато ножът и всички капаци не се монтират правилно. Неправилно монтираният нож може да се разхлаби и да причини телесна повреда.
- Уверете се, че ножът няма да се удря в обекти, като например камъни и корени. Това може да доведе до повреда на ножа и до огъване на двусекционния

вал на двигателя.

Огънатата ос предизвиква силни вибрации и има много голяма опасност ножът да се разхлаби.

- Ако ножът се удари в някакъв обект или се получат вибрации, спрете веднага продукта. Спрете двигателя, завъртете ключа за безопасност на 0 и отстранете акумулатора (модел LC 141iV и LC 141i) или разкачете захранващия шнур (модел LC 141C). Проверете продукта за повреди. Ремонтирайте повредите или потърсете оторизиран сервис за това.
- Никога не прикрепяйте ръкохватката за спирачката на двигателя за постоянно върху дръжката, когато двигателят е стартиран.
- Поставете продукта върху стабилна, равна повърхност и го стартирайте. Уверете се, че ножът не се допира в земята или в други предмети.
- Винаги стойте зад продукта, когато го използвате.
- Всички колела трябва да бъдат на земята и да държите дръжката с 2 ръце, когато работите с продукта. Дръжте ръцете и краката си

далеч от въртящите се остриета.

- Не накланяйте продукта при стартиран двигател.
- Бъдете внимателни, когато дърпате продукта назад.
- Никога не повдигайте продукта при стартиран двигател. Ако се налага да повдигнете продукта, първо спрете двигателя, завъртете ключа за безопасност на 0 и отстранете акумулатора (модел LC 141iV и LC 141i) или разкачете захранващия шнур (модел LC 141C).
- Не се движете назад при работа с продукта.
- Спрете двигателя, когато преминавате през области без трева, като например пътеки от чакъл, камък и асфалт.
- Не тичайте с продукта, докато двигателят работи. Винаги ходете, когато работите с продукта.
- Спрете двигателя, преди да промените височината на рязане. Никога не регулирайте при стартиран двигател.
- Никога не оставяйте продукта без надзор, когато двигателят работи. Спрете двигателя и се уверете, че

режещото оборудване не се върти.

Инструкции за безопасност за работа

Лични предпазни средства



ПРЕДУПРЕЖДЕНИЕ: Прочетете следващите предупредителни указания, преди да използвате машината.

- Личните предпазни средства не изключват изцяло риска от нараняване, но намаляват степента на нараняването при злополука. Нека вашият дилър Ви помогне да изберете подходящото оборудване.
- Носете ботуши или обувки, устойчиви на хлъзгане. Не носете отворени обувки и не ходете боси.
- Използвайте дълги панталони от здрав плат.
- Когато е необходимо, носете защитни ръкавици, например, когато закрепвате, проверявате или почиствате режещото оборудване.

Приспособления за безопасност на машината



ПРЕДУПРЕЖДЕНИЕ: Прочетете следващите предупредителни указания, преди да използвате машината.

- Не използвайте машина с неизправни приспособления за безопасност.
- Проверявайте редовно приспособленията за безопасност. Ако приспособленията за безопасност са дефектни, говорете с Вашия сервиз Husqvarna.

За проверка на капака срещу порязване

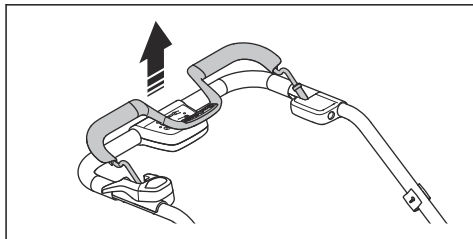
Капакът срещу порязване намалява вибрациите в продукта и опасността от нараняване, причинени от острието.

- Проверете капака срещу порязване, за да се уверите, че няма повреди, като например пукнатини.

Ръкохватка за спирачката на двигателя

Ръкохватка за спирачката на двигателя спира двигателя. Когато ръкохватката за спирачката на двигателя бъде пусната, двигателят спира.

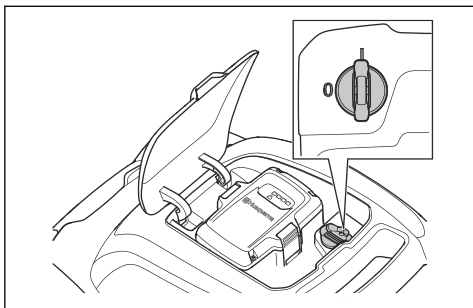
За да извършите проверка на спирачката на двигателя, стартирайте двигателя и след това отпуснете ръкохватката за спирачката на двигателя. Ако двигателят не спре след 3 секунди, позволете на одобрен сервиз на Husqvarna да регулира спирачката на двигателя.



Ключ за безопасност (модели LC 141iV и LC 141i)

Ключът за безопасност е под капака на акумулатора. Ключът за безопасност свързва акумулатора, който захранва двигателя с енергия.

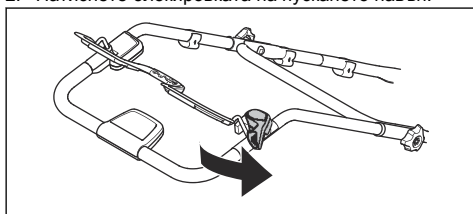
- Стартирайте и спрете двигателя, за да извършите проверка на ключа за безопасност.
- Ако ключът за безопасност функционира правилно, двигателят стартира само когато ключът е в положение 1.



За да проверите блокировката на пускането

Направете проверка на блокировката на пускане, за да се уверите, че тя не допуска работата на двигателя.

1. Натиснете ръкохватката за спиращката на двигателя по посока на управлението. Блокировката на пускането спира движението.
2. Натиснете блокировката на пускането навън.



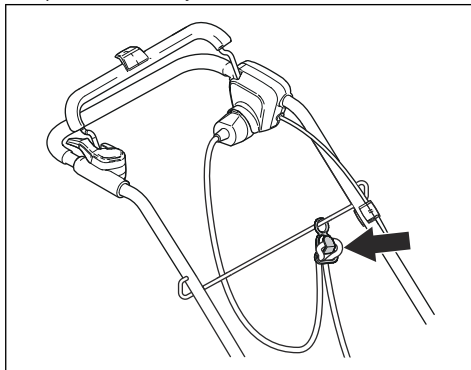
3. Освободете блокировката на пускането и се уверете, че тя се е върнала в първоначалното си положение.

За използване на държача на захранващия шнур (модел LC 141C)

Държачът на захранващия шнур намалява натоварването върху електрическия контакт и захранващия шнур. Държачът на захранващия шнур намалява също и риска да паднете.

1. Сгънете захранващия шнур, за да оформите малка примка.
2. Поставете примката в отвора на държача на захранващия шнур.
3. Поставете примката около куката.

4. Дръпнете захранващия шнур, за да затегнете примката около куката.



Инструкции за безопасност за батерията



ПРЕДУПРЕЖДЕНИЕ:
Прочетете следващите предупредителни указания, преди да използвате машината.

- Използвайте акумулаторни батерии Husqvarna като източник на захранване само на продукти Husqvarna. За да предотвратите нараняване, не използвайте акумулатора като източник на захранване за други устройства.
- Не използвайте батерии, които не се презареждат.
- Опасност от електрически удар. Не свързвайте клемите на акумулатора с ключове, монети, винтове или други метални

предмети. Това може да доведе до късо съединение на акумулатора.

- Не поставяйте предмети във въздушните отвори на акумулатора.
- Съхранявайте акумулатора далеч от слънчева светлина, топлина или открит огън. Акумулаторът може да се взриви и да причини изгаряния и/или химически изгаряния.
- Съхранявайте акумулатора далеч от дъжд или влага.
- Съхранявайте акумулаторната батерия далеч от микровълни и високо налягане.
- Не се опитвайте да разглобите или счупите акумулатора.
- Ако има в акумулатора има теч, не оставяйте течността да влиза в контакт с тялото и очите. Ако докоснете течността, измийте мястото с обилно количество вода и потърсете медицинска помощ.
- Използвайте акумулатора при температури между -10°C и 40°C .
- Не почиствайте батерията или зарядното устройство с вода. Вижте *За почистване*

на акумулатора и зарядното устройство на страница 51.

- Не използвайте дефектен или повреден акумулатор.
- Съхранявайте акумулаторите далеч от метални предмети като пирони, монети, бижута.

Инструкции за безопасност за зарядното устройство на акумулаторната батерия



ПРЕДУПРЕЖДЕНИЕ:

Прочетете следващите предупредителни указания, преди да използвате машината.

- Използвайте зарядните устройства QC за зареждане само на резервни акумулатори Husqvarna.
- Опасност от токов удар или късо съединение. Не поставяйте предмети във въздушните отвори на зарядното устройство. Не опитвайте да демонтирате зарядното устройство. Не свързвайте клемите на зарядното устройство към метални предмети. Използвайте одобрен електрически контакт.
- Тази машина създава електромагнитно поле по

време на работа. При някои условия това поле може да интерферира с активни или пасивни медицински имплантанти. За да намалите риска от сериозно или смъртоносно нараняване, ние препоръчваме лицата с медицински импланти да говорят с лекаря си и производителя на медицинския имплант, преди да започнат да работят с този продукт.

- Редовно проверявайте дали кабелът на зарядното устройство на акумулатора не е повреден и напукан.
- Не вдигайте зарядното устройство, като го държите за кабела. За да изключите зарядното устройство от стенния контакт, дръпнете щепсела. Не дърпайте захранващия шнур.
- Дръжте захранващия кабел и удължаващите шнурове далеч от вода, масло или остри ръбове. Уверете се, че кабелът не е защипан от врати, огради и подобни. Това може да доведе до напрежение в зарядното устройство.
- Не почиствайте зарядното устройство с вода.

- Това зарядно устройство може да се използва от деца на възраст от 8 години нагоре и лица с физически, сетивни или умствени способности или без знания и опит, ако са под надзор или са получили инструкции за безопасното използване на зарядното устройство и разбират свързаните с това рискове. Децата не трябва да си играят със зарядното устройство. Почистването и потребителската поддръжка не трябва да се извършват от деца без надзор.
- Не зареждайте акумулатори без възможност за зареждане в зарядното устройство.
- Не използвайте зарядното устройство близо до запалими материали или материали, които причиняват корозия. Не покривайте зарядното устройство. Ако има дим или огън, извадете щепсела на зарядното устройство.
- Не използвайте дефектно или повредено зарядно устройство.
- Зареждайте акумулатора само на закрито, в помещение с добра вентилация и далеч от

слънчева светлина. Не зареждайте акумулатора във влажна условия.

Безопасност на захранващия кабел

За модел LC 141C.

- Препоръчва се използването на устройство за остатъчен ток (R.C.D.) с ток на изключване не повече от 30 mA. Дори с инсталирано R.C.D. не може да се гарантира 100% безопасност и процедурите за безопасна работа трябва да се следват по всяко време. Проверявайте R.C.D. при всяко използване.
- Ако по захранващия шнур има срязвания или ако изолацията е повредена, незабавно го извадете от контакта.
- Не докосвайте срязан или повреден захранващ шнур, преди да изключите електрозахранването.
- Не поправяйте срязан или повреден захранващ кабел. Подменете го с нов.

Инструкции за безопасност при техническо обслужване



ПРЕДУПРЕЖДЕНИЕ: Прочетете следващите предупредителни указания, преди да използвате машината.

- За модел LC 141iV, LC 141i:
За да предотвратите

- случайно стартиране по време на техническо обслужване, завъртете ключа за безопасност на 0 и извадете акумулатора. Изчакайте най-малко 5 секунди преди да започнете техническото обслужване.
- За модел LC 141C: За да предотвратите случайно стартиране по време на техническо обслужване, извадете захранващия шнур.
- Извършете правилно техническото обслужване, за да увеличите срока на експлоатация на продукта и да намалите опасността от инциденти. Възложете извършването на професионалните ремонтни дейности на упълномощен сервиз. За повече информация говорете с най-близкия до Вас сервиз.
- Изпълнявайте стъпките от техническото обслужване, посочени в тази инструкция за експлоатация. По-значителни ремонтни дейности трябва да се изпълняват от одобрен сервиз.
- Сложете ръкавици за тежки условия, когато използвате режещото оборудване. Ножът е много остър и

можете лесно да се порежете.

- Поддържайте режещите краища остри и чисти за най-добра и безопасна производителност.
- Редовно проверявайте продукта при Вашия сервиз и извършвайте необходимите корекции и ремонтни дейности.
- Заменете повредени, износени или счупени части.
- Следвайте инструкциите за смяна на аксесоарите.

Използвайте само аксесоари от производителя.

- Когато не ги използвате, съхранявайте продукта, акумулатора и зарядното устройство отделно на закрито сухо и заключено място. Уверете се, че деца и лица, които не са одобрени, не могат да получат достъп до продукта, акумулатора или зарядното устройство.

Монтаж

Въведение



ПРЕДУПРЕЖДЕНИЕ: Преди да сглобите машината, прочетете главата за безопасност.

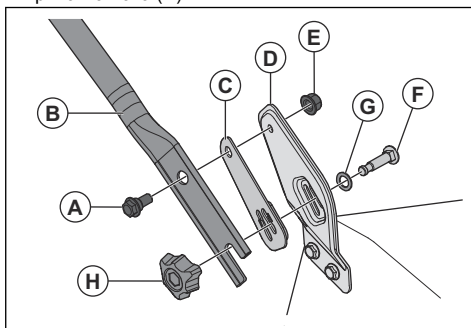


ПРЕДУПРЕЖДЕНИЕ: За модел LC 141iV, LC 141i: За да предотвратите случайно стартиране по време на монтаж, завъртете ключа за безопасност на 0, отстранете акумулатора и изчакайте най-малко 5 секунди.

За модел LC 141C: За да предотвратите случайно стартиране по време на монтаж, извадете захранващия шнур.

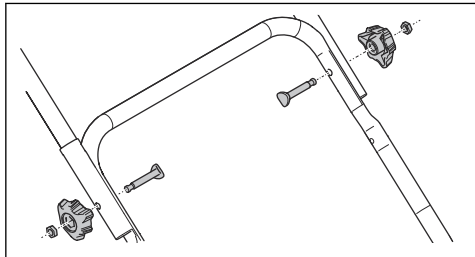
За да монтирате ръкохватката

1. Прекарайте винта (A) през ръкохватката (B), пластмасовата шайба (C) и опорната скоба на ръкохватката (D).

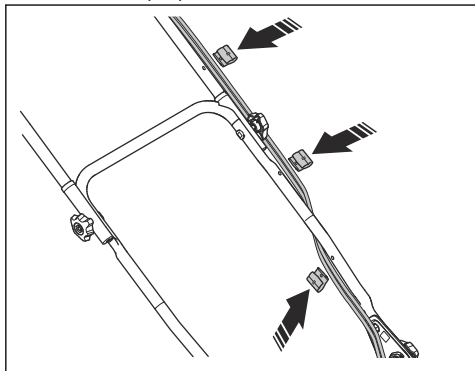


2. Затегнете гайката (E) докрай.
3. Прекарайте винта (F) през шайбата (G) и опорната скоба на ръкохватката.
4. Затегнете фиксатора (H) докрай.

5. Подравнете отворите в ръкохватката с отворите в долната част на дръжката и прикрепете винтовете, шайбите и фиксаторите. Затегнете напълно фиксаторите.

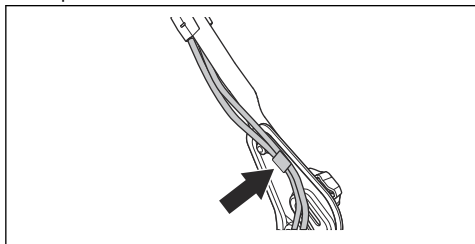


6. Закрепете кабелите към ръкохватката с помощта на кабелни превръзки.



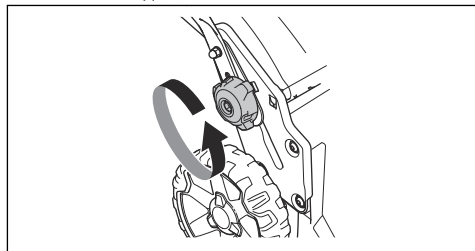
Забележка: Уверете се, че напрежението в кабелите не е твърде високо. Твърде високото напрежение може да повреди кабела, ако ръкохватката бъде сгъната в положение при транспортиране.

7. Поставете кабелите около куката в долната част на ръкохватката.

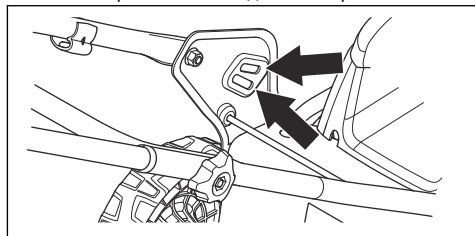


За регулиране на височината на ръкохватката

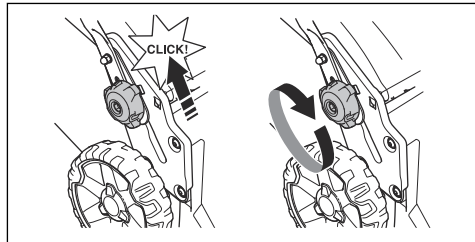
1. Разхлабете долните копчета.



2. Отстранете фиксатора, шайбата и винта от лявата и дясната страна.
3. Ръкохватката може да бъде зададена на 2 различни височини. Поставете винта в единия от 2-та отвора от лявата и дясната страна.

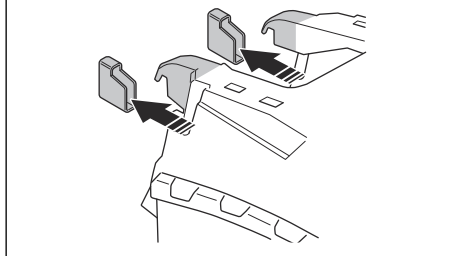


4. Прикрепете винтовете, шайбите и фиксаторите.
5. Преместете фиксаторите по посока на дръжката, докато спрат и се чуе щракване. Затегнете напълно фиксаторите.

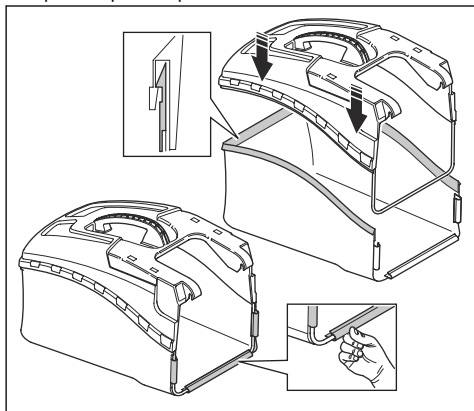


За сглобяване на коша за трева

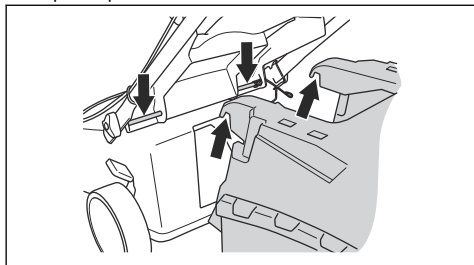
1. Бутнете 2-та транспортни капака навън и надолу.



2. Поставете горната част на коша за трева върху долната му част. Прикрепете рамката на коша за трева с фиксаторите.

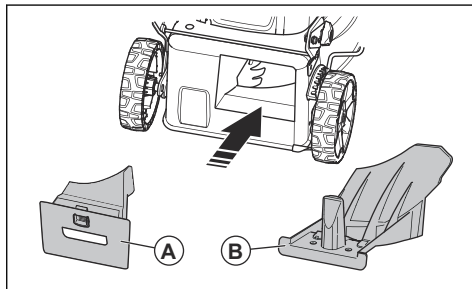


3. Вдигнете задния капак.
4. Прикрепете куките върху коша за трева към горния край на шасито.



За сглобяване на комплекта за мулчиране

1. Повдигнете задния капак и извадете коша за трева.
2. Поставете щифта за мулчиране в канала за разтоварване на тревата. Щифтът за мулчиране тип А е за LC 141i и LC 141C. Тип В е за LC 141IV.



3. Затворете задния капак.
4. Сменете ножа с комбинация нож, вижте *За да извадите и смените ножа на страница 51.*

Операция

Въведение



ПРЕДУПРЕЖДЕНИЕ: Преди работа с продукта трябва да прочетете и разберете главата за безопасност.

Husqvarna Connect

Husqvarna Connect е безплатно приложение за Вашето мобилно устройство. Приложението Husqvarna Connect осигурява разширени функции за Вашия продукт на Husqvarna:

- Разширена продуктова информация.
- Информация и помощ за частите на продукта и сервисното обслужване.

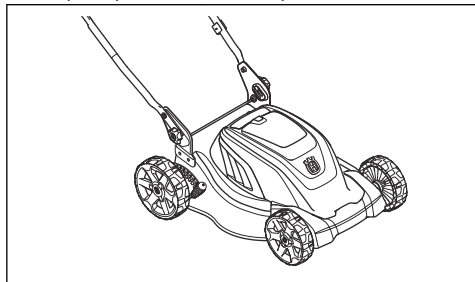
За да започнете да използвате Husqvarna Connect

1. Изтеглете приложението Husqvarna Connect на Вашето мобилно устройство.
2. Регистрирайте се в приложението Husqvarna Connect.
3. Изпълнете стъпките с инструкции в приложението Husqvarna Connect, за да свържете и регистрирате продукта.

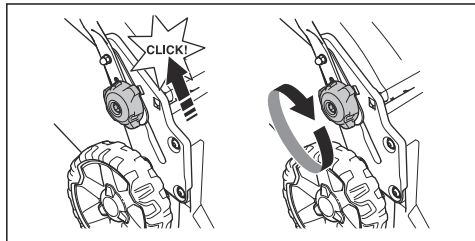
Задаване на продукта в положение за работа

Ако ръкохватката е в положение за транспортиране и съхранение (вижте *За задаване на продукта в положение за транспортиране на страница 53*), изпълнете следната процедура, за да поставите ръкохватката в работно положение.

1. Повдигнете ръкохватката, докато долната ѝ част се фиксира в положение за работа.

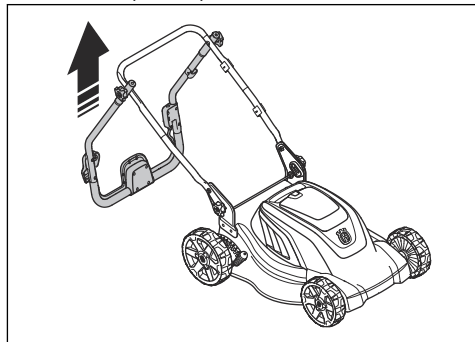


2. Преместете долните фиксатори по посока на дръжката, докато спрат и се чуе щракване.



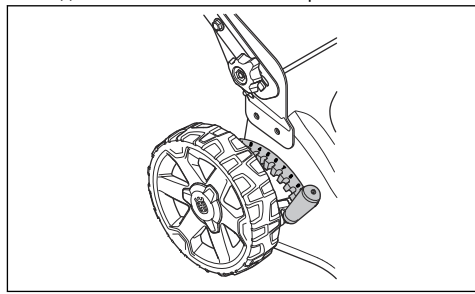
3. Затегнете фиксаторите.

4. Повдигнете горната част на ръкохватката и затегнете фиксаторите.



За регулиране на височината на рязане

1. Преместете назад лоста за височина на рязане, за да увеличите височината на рязане.
2. Преместете напред лоста за височина на рязане, за да намалите височината на рязане.



ВНИМАНИЕ: Не настройвайте твърде ниска височина на рязане. Ножовете могат да се ударят в земята, ако повърхността на моравата не е равна.

Акумулатор

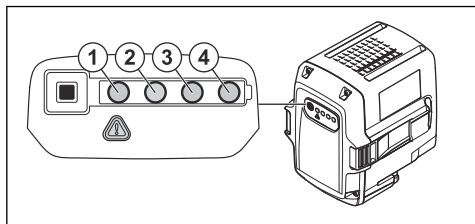


ПРЕДУПРЕЖДЕНИЕ: Преди да използвате акумулатора, трябва да прочетете и разберете главата за безопасност. Вие трябва също да прочетете и разберете ръководството на оператора за акумулатора и зарядното устройство.

Статус на батерията

Дисплеят показва оставащия капацитет на акумулатора и дали има проблеми с него. Капацитетът на акумулатора се показва за 5

секунди, след като продуктът бъде изключен или бутонът за индикатора на акумулатора бъде натиснат. Символът за предупреждение върху акумулатора се включва, когато има грешка. Вижте *Акумулатор на страница 52*.



Светодиодни лампи	Статус на батерията
Всички светодиоди светят	Напълно зареден (75 – 100%)
Светодиоди 1, 2, 3 светят	Акумулаторът е зареден на 50% – 75%
Светодиоди 1 и 2 светят	Акумулаторът е зареден на 25% – 50%
Светодиод 1 свети	Акумулаторът е зареден на 0% – 25%.
Светодиод 1 мига	Батерията е изтощена. Заредете батерията.

За зареждане на акумулатора

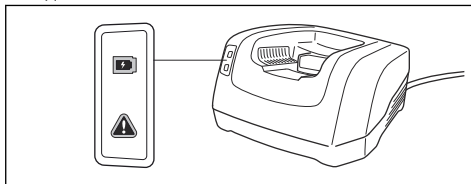
Заредете акумулатора преди използване за първи път. Акумулаторът е зареден само на 30%, когато се доставя на клиента.

Забележка: Зарядното устройство на акумулатора трябва да бъде свързано към напрежението и честотата, посочени на типовата табелка.

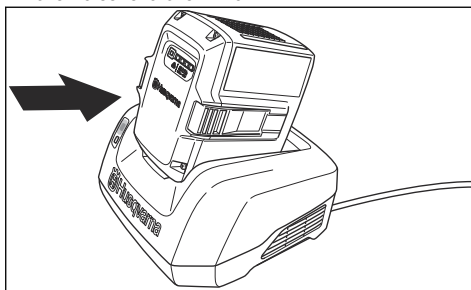
Акумулаторът не се зарежда, ако температурата на акумулатора е над 50°C. Зарядното устройство намалява температурата на акумулатора, преди да започне да зарежда.

1. Свържете единия край на захранващия шнур на зарядното устройство в гнездото на зарядното устройство.

2. Свържете другия край на захранващия шнур за зарядното устройство в заземен контакт. Светодиодът на зарядното устройство примигва един път в зелено.



3. Поставете батерията в зарядното устройство. Когато акумулаторът е правилно свързан към зарядното устройство, на зарядното устройство светва зелена светлина.



4. Когато всички светодиоди на акумулатора светнат, акумулаторът е напълно зареден. Зареждайте акумулатора за най-много 24 часа.
5. За да разкачите зарядното устройство на акумулатора от контакта, издърпайте щепсела, а не кабела.
6. Извадете батерията от зарядното устройство.

Състояние на зареждане на акумулатора

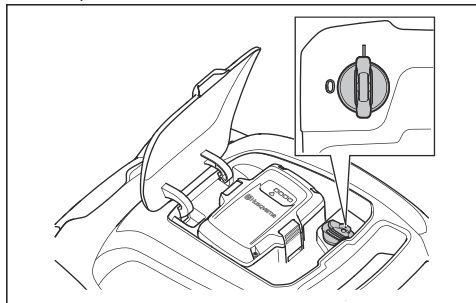
Литиево-йонният акумулатор Husqvarna може да бъде зареждан или използван във всички нива на заряда. Батерията не се поврежда. Напълно зареденият акумулатор няма да намали заряда си, дори когато е оставен в зарядното устройство.

Светодиоден дисплей	Състояние на зареждането
Светодиод 1 мига	0% – 25%
Светодиод 1 свети, светодиод 2 мига	25%-50%
Светодиоди 1 и 2 светят, светодиод 3 мига	50%-75%
Светодиоди 1, 2 и 3 светят, светодиод 4 мига	75%-100%
Светодиоди 1, 2, 3 и 4 светят	Напълно зареден

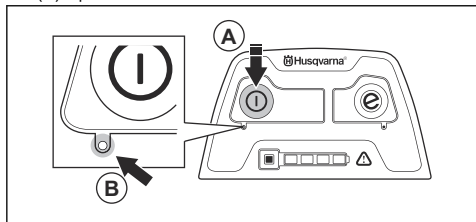
За работа с LC 141iV и LC 141i

За стартиране на продукта

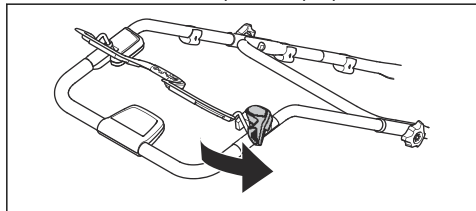
1. Поставете зареден акумулатор в отделението за акумулатора.
2. Завъртете ключа за безопасност на 1.



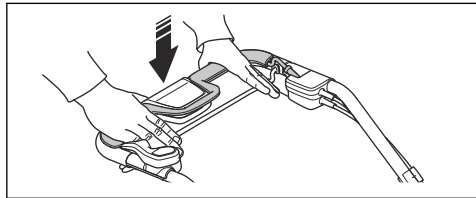
3. Останете зад продукта.
4. Натиснете бутона ON/OFF (ВКЛ./ИЗКЛ.) (A) на разпределителното табло и зеленият светодиод (B) ще светне.



5. Разхлабете инхибитора за стартиране.

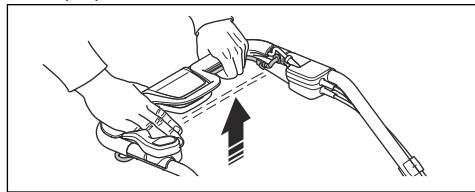


6. Натиснете ръкохватката за спирачката на двигателя по посока на управлението.

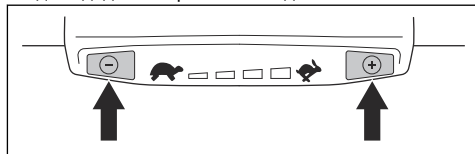


За използването на задвижването на колелата

- Модел LC 141iV. Дръпнете дръжката за задвижване по посока на управлението, за да стартирате задвижването.



- Натиснете + и - на разпределителното табло, за да зададете скоростта на задвижване в 4 стъпки.

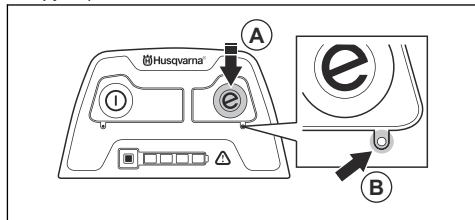


- Освободете дръжката за задвижване, за да изключите задвижването, например, когато приближите препятствие.

За да използвате функцията SavE

Продуктът разполага с функция за пестене на акумулатора (SavE), която осигурява по-дълго време на работа.

1. Натиснете бутона SavE (A), за да стартирате функцията. Зеленият светодиод светва.



2. Натиснете отново бутона SavE, за да спрете функцията. Зеленият светодиод (B) изгасва.

Функцията SavE спира автоматично, ако условията на терена изискват по-висока мощност. Функцията SavE стартира автоматично, когато условията на терена го позволяват.

Функция на високо натоварване

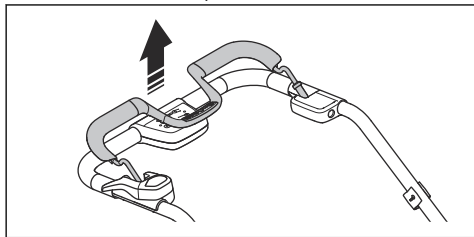
Когато продуктът реже дълга или влажна трева, двигателят автоматично повишава оборотите. Двигателят се връща към стандартен режим, когато не е необходимо голямо натоварване.

Спиране на продукта

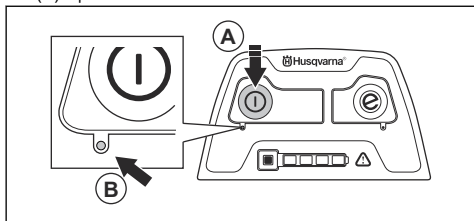
Продуктът спира автоматично, ако не работите с него в продължение на 10 минути. Винаги

завъртайте ключа за безопасност на 0, преди да оставите продукта без надзор.

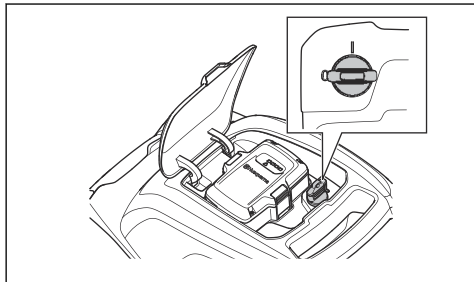
1. Освободете ръкохватката за спирачката на двигателя, за да спрете двигателя.



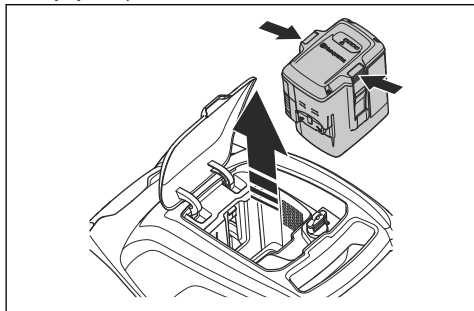
2. Натиснете бутона ON/OFF (ВКЛ./ИЗКЛ.) (A) на разпределителното табло и зеленият светодиод (B) ще изгасне.



3. Отворете капака на акумулатора и завъртете ключа за безопасност в положение 0.



4. За да извадите акумулатора, натиснете 2-та бутон за освобождаване и извадете акумулатора.



5. Заредете акумулатора, ако е изтощен. За повече информация вижте *За зареждане на акумулатора на страница 46*.

За работа с LC 141C

За избиране на одобрен кабел (LC 141C)

Забележка: За Обединеното кралство използвайте само удължителния кабел 16 м, който се доставя с изделието. За всички други държави вижте информацията по-долу.

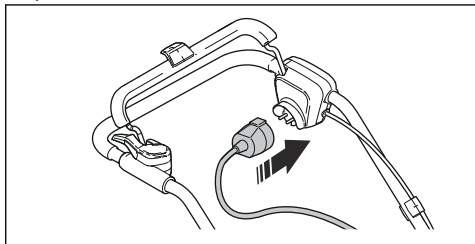
Ако използвате удължителни кабели, те трябва да са в съответствие с минималните сечения в таблицата по-долу:

Напрежение	Дължина на кабела	Напречно сечение
220 – 240 V/50 Hz	До 20 м	1,5 мм ²
220 – 240 V/50 Hz	20 – 50 м	2,5 мм ²

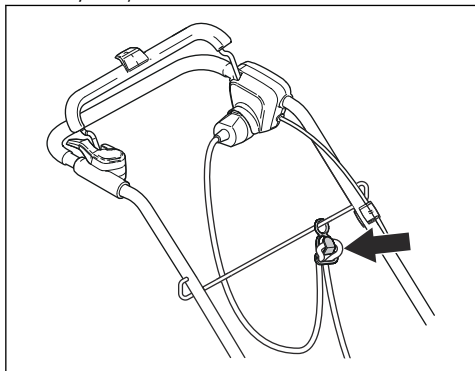
- Захранващите и удължителните кабели са налични от Вашия местен одобрен сервиз на Husqvarna за продукти на открито.
- Използвайте само удължителни кабели, предназначени за използване на открито и които отговарят на една от следните спецификации: Обикновен каучук (60245 IEC 53), обикновено PVC (60227 IEC 53) или обикновено PCP (60245 IEC 57)
- Ако кабелът е повреден, той трябва да бъде заменен от производителя, неговия сервиз или подобен квалифициран персонал, за да се избегне опасност.

За стартиране на продукта

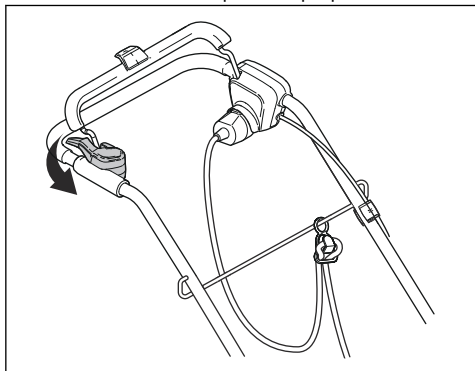
1. Свържете захранващ кабел към контакта под ръкохватката.



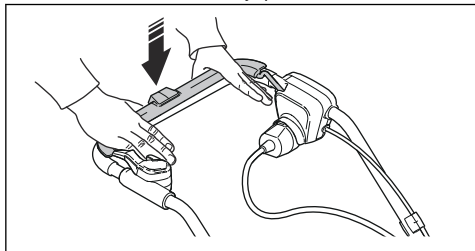
2. Поставете захранващия шнур в държача на захранващия шнур. Вижте *За използване на държача на захранващия шнур (модел LC 141C)* на страница 38.



3. Останете зад продукта.
4. Разхлабете инхибитора за стартиране.

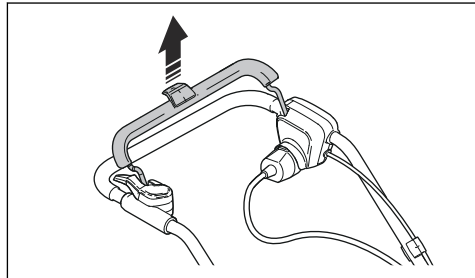


5. Натиснете ръкохватката за спиранката на двигателя по посока на управлението.

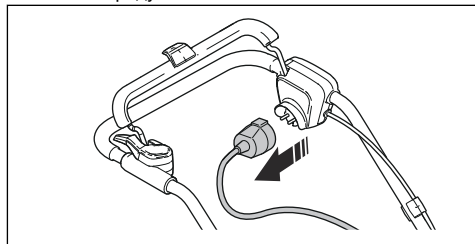


Спиране на продукта

1. Освободете ръкохватката за спиранката на двигателя, за да спрете двигателя.



2. Разкачете захранващия шнур от контакта и след това от продукта.



ВНИМАНИЕ: Издърпайте щепсела докрай навън. Не дърпайте захранващия шнур.

За получаване на добър резултат

- Винаги използвайте остър нож. Косенето със затъпен нож е неравномерно и окосената повърхност пожълтява. При работа с остър нож също така се използва по-малко енергия отколкото при работа със затъпен нож.
- Не отрязвайте повече от $\frac{1}{3}$ от дължината на тревата. Първо, косете със зададена висока височина на рязане. Вижте какъв е резултатът и намалете височината на рязане до подходящо ниво. Ако тревата е много висока, карайте бавно и – ако е необходимо – окосете два пъти.
- Режете всеки път в различни посоки, за да избегнете образуването на линии в моравата.

Поддръжка

Въведение



ПРЕДУПРЕЖДЕНИЕ: Преди да извършите техническо обслужване, трябва да прочетете и разберете раздела за безопасност.

За всички работи по поддръжката и поправката на продукта е необходимо специално обучение. Осигуряваме предлагане на професионални ремонти и обслужване. Ако Вашият дилър не предлага сервизно обслужване, говорете с него, за да Ви даде информация за най-близкия сервиз.

График за техническо обслужване

Интервалите за техническо обслужване са изчислени в зависимост от ежедневната употреба на продукта. Интервалите се променят, ако продуктът не се използва ежедневно.

За техническо обслужване, маркирано със *, направете справка с *Приспособления за безопасност на машината на страница 37.*

LC 141IV, LC 141i и LC 141C	При всяка употреба	Всеки месец	Всеки сезон
Извършете обща проверка.	X		
Почистете продукта.	X		
Проверете инхибитора за стартиране *.	X		
Уверете се, че приспособленията за безопасност на продукта не са дефектни *.	X		
Прегледайте режещото оборудване.	X		
Извършете преглед на капака на режещите части *.	X		
Проверете ръкохватката на спирачката на двигателя *.	X		

само за LC 141IV и LC 141i	При всяка употреба	Всеки месец	Всеки сезон
Уверете се, че бутонът ВКП./ИЗКП. функционира правилно и не е дефектен.	X		
Проверете акумулатора за повреди.	X		
Проверете заряда на акумулатора.	X		
Уверете се, че бутоните за освобождаване на акумулатора работят изправно и че акумулаторът се фиксира на място в продукта.	X		
Проверете зарядното устройство за повреда и се уверете, че функционира изправно.		X	
Проверете връзките между акумулатора и продукта. Освен това проверете връзката между акумулатора и зарядното устройство.			X

За извършване на обща проверка

- Уверете се, че всички гайки и винтове на продукта са затегнати.

- Уверете се, че кабелите на продукта не са в положение, в което могат да бъдат повредени.

За почистване на машината

- Почиствайте пластмасовите части със суха кърпа.
- Не използвайте вода за почистване на продукта. Водата може да навлезе в акумулатора или в двигателя и да причини късо съединение или повреда на продукта.
- Не мийте продукта с устройство за миене под високо налягане.
- Не пръскайте вода директно върху двигателя.
- За отстраняване на листа, трева и прах използвайте четка.

За почистване на акумулатора и зарядното устройство



ВНИМАНИЕ: Не почиствайте батерията или зарядното устройство с вода.

- Преди да поставите батерията в зарядното устройство се уверете, че батерията и зарядното устройство са чисти и сухи.
- Почистете клемите на акумулатора с въздух под налягане или използвайте чиста и суха кърпа.
- Почистете повърхностите на акумулатора и зарядното устройство с чиста и суха кърпа.

За проверка на режещото оборудване



ПРЕДУПРЕЖДЕНИЕ: За моделите LC 141iV и LC 141i: За да предотвратите случайно стартиране, завъртете ключа за безопасност на 0, отстранете акумулатора и изчакайте поне 5 секунди.

За модел LC 141C: За да предотвратите случайно стартиране, разкачете захранващия шнур.



ПРЕДУПРЕЖДЕНИЕ: Носете защитни ръкавици, когато ще изпълнявате дейности, свързани с техническото обслужване на режещото оборудване. Ножът е много остър и можете лесно да се порежете.

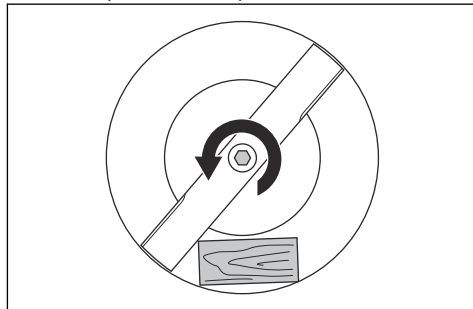
1. Проверете режещото оборудване за повреди или пукнатини. Винаги заменяйте повреденото режещо оборудване.
2. Погледнете ножа, за да разберете дали не е повреден или затъпен.

Забележка: Необходимо е да балансирате ножа след заточване. Ножът се заточва, сменя и

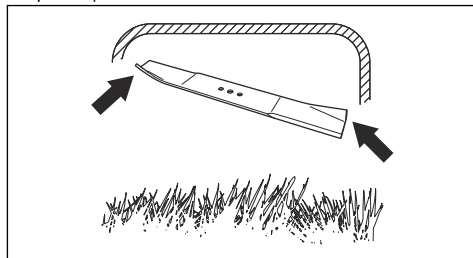
балансира от сервизен център. Ако ударите препятствие и вследствие на това продуктът спре, сменете повредения нож. Оставете специалистите в сервиза да преценят дали ножът ще трябва да се заточи, или да се смени.

За да извадите и смените ножа

1. Застопорете ножа с дървен блок.

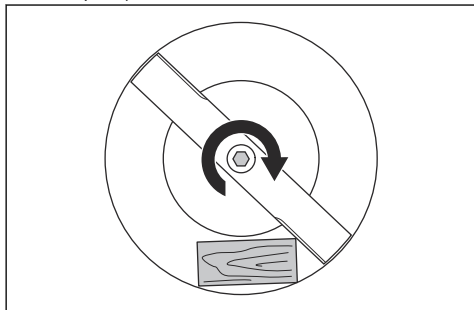


2. Свалете придържащия болт на ножовете.
3. Свалете ножа.
4. Проверете носача на ножа и придържащия болт на ножовете, за да видите дали има повреди.
5. Проверете двусекционния вал на двигателя, за да се уверите, че не е огънат.
6. Когато поставяте новия нож, насочете извитите краища на ножа по посока към капака на режещите части.



7. Уверете се, че ножът е подравнен с центъра на двусекционния вал на двигателя.

8. Застопорете ножа с дървен блок. Поставете пружинната шайба и затегнете болта и шайбата до въртящ момент от 20 Nm.



9. Раздвижете ножа на ръка и се уверете, че той се върти свободно.



ПРЕДУПРЕЖДЕНИЕ:

Използвайте ръкавици с висока здравина. Ножът е много остър и можете лесно да се порежете.

10. Стартирайте продукта, за да тествате ножа. Ако ножът не е поставен правилно, продуктът вибрира или резултатът от косенето е незадоволителен.

Отстраняване на проблеми

Акумулатор

Светодиод на акумулатора	Причина	Решение
Зеленият светодиод мига.	Напрежението на акумулатора е ниско.	Заредете акумулаторната батерия. Вижте <i>За зареждане на акумулатора на страница 46</i> .
Светодиодът за грешка мига.	Акумулаторът е изтощен.	Заредете акумулаторната батерия. Вижте <i>За зареждане на акумулатора на страница 46</i> .
	Температурата в работната среда е прекалено висока или прекалено ниска.	Използвайте акумулатора при температури между -10°C и 40°C.
	Свърхнапрежение.	Уверете се, че напрежението на електрическата мрежа е същото като на типовата табелка на продукта. Извадете батерията от зарядното устройство. Изчакайте 5 секунди и опитайте отново да заредите акумулатора. Ако проблемът продължава, обърнете се към одобрен сервиз.
Светодиодът за грешка свети.	Разликата в клетките е твърде голяма (1 V).	Обърнете се към одобрен сервиз.

Зарядно устройство за батерията

Светодиод на зарядното устройство	Причина	Решение
Светодиодът за грешка мига.	Температурата в работната среда е прекалено висока или прекалено ниска.	Използвайте зарядното устройство на акумулатора при температури между 5°C и 40°C.
Светодиодът за грешка свети.		Обърнете се към одобрен сервиз.

Пулт за управление

За проблеми, различни от тези в този раздел, свържете се с Вашия сервиз.

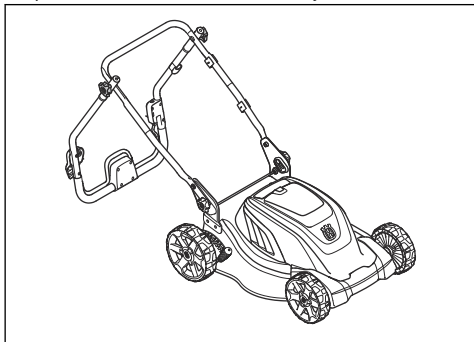
Клавиатура	Възможни неизправности	Възможно действие
Светодиодът за грешка мига	Двигателят е претоварен	Увеличете височината на рязане. Вижте <i>За регулиране на височината на рязане на страница 45</i> .
	Оборотите на двигателя спадат прекалено много и двигателят спира	
	Управлението на двигателя е прекалено горещо	Спрете двигателя и изчакайте докато изстине
	Ножът е блокиран	За да предотвратите случайно стартиране, завъртете ключа за безопасност на 0, отстранете акумулатора и изчакайте най-малко 5 секунди. Уверете се, че ножът се върти свободно. Ако проблемът продължи, обърнете се към упълномощен сервиз
	Грешка на акумулатора или липса на сигнал от него	Поставете правилно акумулатора в продукта и проверете конектора на акумулатора. Ако светодиодът за грешка на акумулатора мига, вижте <i>Акумулатор на страница 52</i> .
Продуктът спира	Акумулаторът е изтощен	Заредете батерията. Вижте <i>За зареждане на акумулатора на страница 46</i> .
	Грешка в конектора на акумулатора	Проверете конектора на акумулатора

Транспортиране, съхранение и изхвърляне

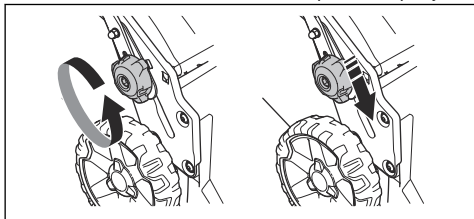
За задаване на продукта в положение за транспортиране

1. Отстранете коша за трева (ако е инсталиран).

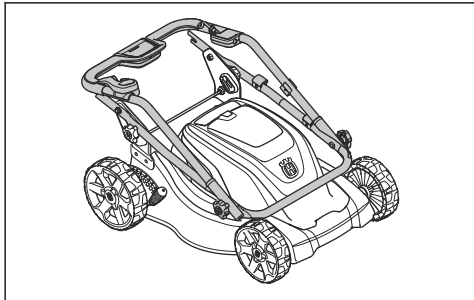
2. Разхлабете фиксаторите в горната част на ръкохватката и я сгънете надолу.



3. Разхлабете долните копчета.
4. Преместете фиксаторите към долния край на каналите от лявата и дясната страна на продукта.



5. Сгънете ръкохватката напред.



Транспортиране

- В сила са изискванията на Законодателството за опасни продукти, отнасящи се до литиево-йонни акумулатори.
- За търговско транспортиране трябва да се спазват специалните изисквания върху опаковката и етикетите.
- Уверете се, че спазвате разпоредбите за опасни материали, когато подготвяте продукта за транспорт. Може да са в сила местни разпоредби.
- Винаги изваждайте акумулатора при транспортиране.

- Поставете тиксо върху конекторите на акумулатора и се уверете, че акумулаторът не може да се движи по време на транспортиране.
- Закрепете продукта по време на транспортиране.

Съхранение

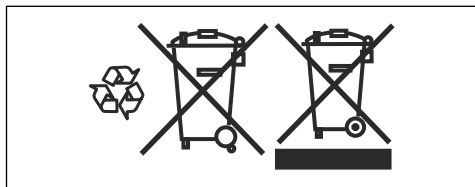
- Винаги изваждайте акумулатора за съхранение.
- За да се избегнат инциденти, се уверете, че акумулаторът не е свързан към продукта по време на съхранение.
- Съхранявайте зарядното устройство в затворено и сухо помещение.
- Съхранявайте акумулатора и зарядното устройство на сухо място, където няма влага или скреж.
- При съхранение разкачете акумулатора от зарядното устройство.
- Не съхранявайте акумулатора, където може да се натрупа статично електричество. Не съхранявайте акумулатора в метална кутия.
- Съхранявайте акумулатора при температура между 5°C и 25°C и далече от слънчева светлина.
- Съхранявайте зарядното устройство при температура между 5°C и 45°C и далече от слънчева светлина.
- Уверете се, че акумулаторът е зареден до 30% – 50% преди съхранение за продължителен период.
- Съхранявайте продукта, акумулатора и зарядното устройство в заключено помещение без достъп за деца или неупълномощени лица.
- Почистете продукта и извършете пълно обслужване, преди да го съхранявате продължително време.

Изхвърляне

Символите на продукта или на неговата опаковка показват, че този продукт не може да бъде третиран като битов отпадък. Той трябва да бъде подаден в съответната рециклираща станция за използване на електрическо и електронно оборудване.

Подавайки този продукт на правилното място, вие спомагате за предотвратяване на потенциалното негативно отражение върху околната среда и хората, което би могло да настъпи иначе в резултат на неправилно изхвърляне на този продукт. За повече подробна информация относно рециклирането на този продукт се свържете с местната администрация, услугите за битови

отпадъци или магазина, откъдето сте закупили продукта.



Технически данни

Технически характеристики LC 141iV, LC 141i

	LC 141iV	LC 141i
Двигател за косене		
Тип двигател	BLDC (безчетков) 36 V	BLDC (безчетков) 36 V
Обороти на двигателя – SavE, об./мин.	2700	2700
Обороти на двигателя – номинални, об./мин.	3100	3100
Обороти на двигателя – високо натоварване, об./мин.	3700	3700
Изходна мощност на двигателя – макс. kW	0,8	0,8
Изходна мощност на двигателя – номинална, kW	0,55	0,55
Двигател за задвижване		
Изходна мощност на двигателя – номинална, kW	0,25	Няма
Обороти за самостоятелно задвижване, km/h	3,0 – 4,5	Няма
Нива за регулиране на оборотите	4	Няма
Тегло		
Тегло без акумулаторна батерия, kg	21,5	18,6
Акумулатор ⁸		
Тип акумулатор	Серия акумулатори Husqvarna	Серия акумулатори Husqvarna
Време на работа на батерията		
Време за работа на акумулатора, мин., (свободна работа) при активирана функция SavE с една акумулаторна батерия Husqvarna 5,2 Ah (BLi200).	77	77
Време за работа на акумулаторната батерия, мин., (свободна работа) при активиран стандартен режим с една акумулаторна батерия Husqvarna 5,2 Ah (BLi200).	45	45

⁸ За най-добри резултати и производителност се препоръчва акумулаторът Husqvarna BLi200.

	LC 141IV	LC 141i
Шумови емисии ⁹		
Ниво на звуковата мощност, измерена dB(A)	88	88
Ниво на звуковата мощност, гарантирана [L _{WA} dB(A)]	89	89
Нива на шума ¹⁰		
Ниво на шума при ухото на работещия, dB (A)	83	83
Нива на вибрациите ¹¹		
Ръкохватка, m/s ²	2,0	2,0
Косене		
Височина на рязане, mm	25-70	25-70
Ширина на рязане, cm	41	41
Нож, каталожен номер	Събиране – 5011716-01	Събиране – 5011716-01
Капацитет на приставката за чували, литри	50	50

Одобрени акумулатори	Марка	Тип	Капацитет на акумулаторната батерия, Ah	Напрежение, V	Тегло, lb/kg
BLi10	Husqvarna	Литиево-йонен	2,0	36	1,8/0,8
BLi100	Husqvarna	Литиево-йонен	2,6	36	1,9/0,8
BLi20	Husqvarna	Литиево-йонен	4,0	36	2,7/1,2
BLi200	Husqvarna	Литиево-йонен	5,2	36	2,8/1,3
BLi300	Husqvarna	Литиево-йонен	9,4	36	4,1/1,9

Одобрени зарядни устройства за описаните акумулатори,	Марка	Входно напрежение, V	Честота, Hz	Мощност, W
QC80	Husqvarna	100 – 240	50 – 60	80
QC80F	Husqvarna	12	0	80
QC250	Husqvarna	220 – 240	50	250
QC330	Husqvarna	100 – 240	50 – 60	330

⁹ Емисии на шума в околната среда, измерени като звукова мощност (L_{WA}) в съответствие с директива на ЕО 2000/14/ЕО.

¹⁰ Отчетените данни за нивото на звуковото налягане имат типична статистическа дисперсия (стандартно отклонение) от 1,2 dB (A).

¹¹ Отчетените данни за равнището на вибрации имат типична статистическа дисперсия (стандартно отклонение) от 0,2 m/s².

Одобрени зарядни устройства за описаните акумулатори,	Марка	Входно напрежение, V	Честота, Hz	Мощност, W
QC500	Husqvarna	100 – 240	50 – 60	500

Технически характеристики LC 141C

LC 141C	
Двигател	
Тип двигател	Серия АС двигател
Обороти на двигателя – номинални, об./мин.	3200
Мощност	1800 W
Източник на захранване	Електрически с кабел
Захранващ кабел (включен само за Обединеното кралство)	
Вид на кабела	Удължителен кабел 16 м
Тегло, кг	1,6
Тегло	
Тегло, kg	20,4
Шумови емисии ¹²	
Ниво на звуковата мощност, измерена dB(A)	93
Ниво на звуковата мощност, гарантирана [L _{WA} dB(A)]	95
Нива на звука ¹³	
Ниво на шума при ухото на работещия, dB (A)	85
Нива на вибрациите ¹⁴	
Ръкохватка, m/s ²	2,0
Косене	
Височина на рязане, mm	25-70
Ширина на рязане, cm	41
Нож, каталожен номер	Събиране 5011716-01
Капацитет на приставката за чували, литри	50

¹² Шумови емисии в околната среда, измерени като звукова мощност (L_{WA}) в съответствие с директива на ЕО 2000/14/ЕО.

¹³ Отчетените данни за нивото на звуковото налягане имат типична статистическа дисперсия (стандартно отклонение) от 1,4 dB (A).

¹⁴ Отчетените данни за равнището на вибрации имат типична статистическа дисперсия (стандартно отклонение) от 0,2 m/s².

Декларация за съответствие на ЕО

Декларация за съответствие на ЕО

Husqvarna AB, SE-561 82 Huskvarna, Швеция, тел.: +46-36-146500 декларира, че **косачките Husqvarna LC 141iV и LC 141i** със сериен номер от 2018XXXXXXX и нататък и **Husqvarna LC 141C** със сериен номер 2015XXXXXXX са в съответствие с изискванията на ДИРЕКТИВАТА НА СЪВЕТА:

- от 8 юни 2011 г. относно "ограничения за използване на определени опасни вещества" **2011/65/ЕС**
- от 17 май 2006 г., "свързани с машини" **2006/42/ЕО**
- от 26 февруари 2014 г., "свързани с електромагнетичната съвместимост" **2014/30/ЕС**
- от 8 май 2000 г., "свързани с шумовите емисии в околната среда" **2000/14/ЕО**

За информация, свързана с шумовите емисии, направете справка с глава „Технически характеристики“.

Следните стандарти са приложени за сертифицирането на Husqvarna LC 141iV и LC 141i: **IEC 60335-2-77:2002, IEC 60335-1:2010+A1:2013, EN 55014-1:2017, EN 55014-2:2015, EN 61000-3-2:2014, EN 61000-3-3:2013, EN 62233:2008**

Следните стандарти са приложени за сертифицирането на Husqvarna LC 141C: **EN 60335-1:2012+A11:2014, EN 60335-2-77:2010, EN 62233:2008, EN 55014-1:2017+A11, EN 55014-2:2015, EN 61000-3-2:2019, EN 61000-3-11:2019**

Нотифициран орган: **0404, RISE SMP Svensk Maskinprovning AB, Box 7035, SE-750 07 Uppsala** е извършил оценка на съответствието съгласно Приложение VI на Директива 2000/14/ЕО.

Huskvarna, 2020-10-13



Claes Losdal, Мениджър "Разработки и Развитие"/"Градински продукти" (Упълномощен представител за Husqvarna AB и отговорно лице за техническата документация.)

Obsah

Úvod.....	59	Odstraňování problémů.....	79
Bezpečnost.....	62	Přeprava, skladování a likvidace.....	80
Montáž.....	70	Technické údaje.....	82
Provoz.....	72	ES Prohlášení o shodě.....	85
Údržba.....	77		

Úvod

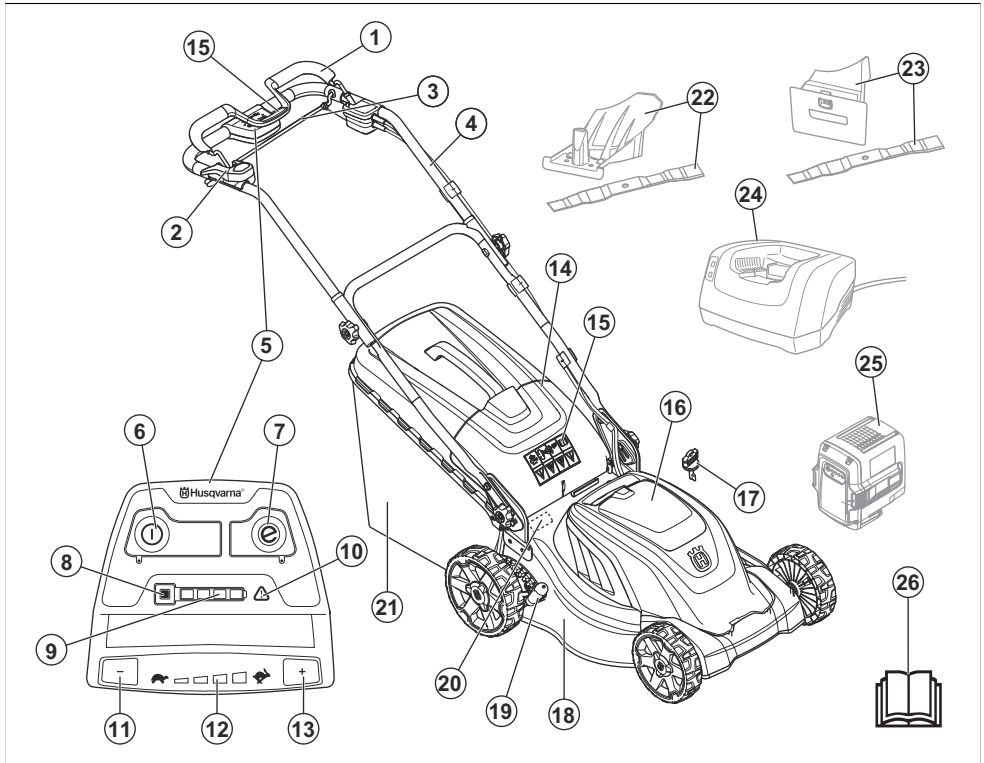
Popis výrobku

Výrobek je rotační sekačka na trávu s pěší obsluhou. Koš na trávu slouží ke sběru posečené trávy. Chcete-li otevřít zadní výhoz trávy, sejměte koš na trávu. Připevněte mulčovací sadu (příslušenství), chcete-li používat posečenou trávu jako hnojivo.

Zamýšlené použití

Výrobek použijte k sečení trávy. K jiným činnostem výrobek nepoužívejte.

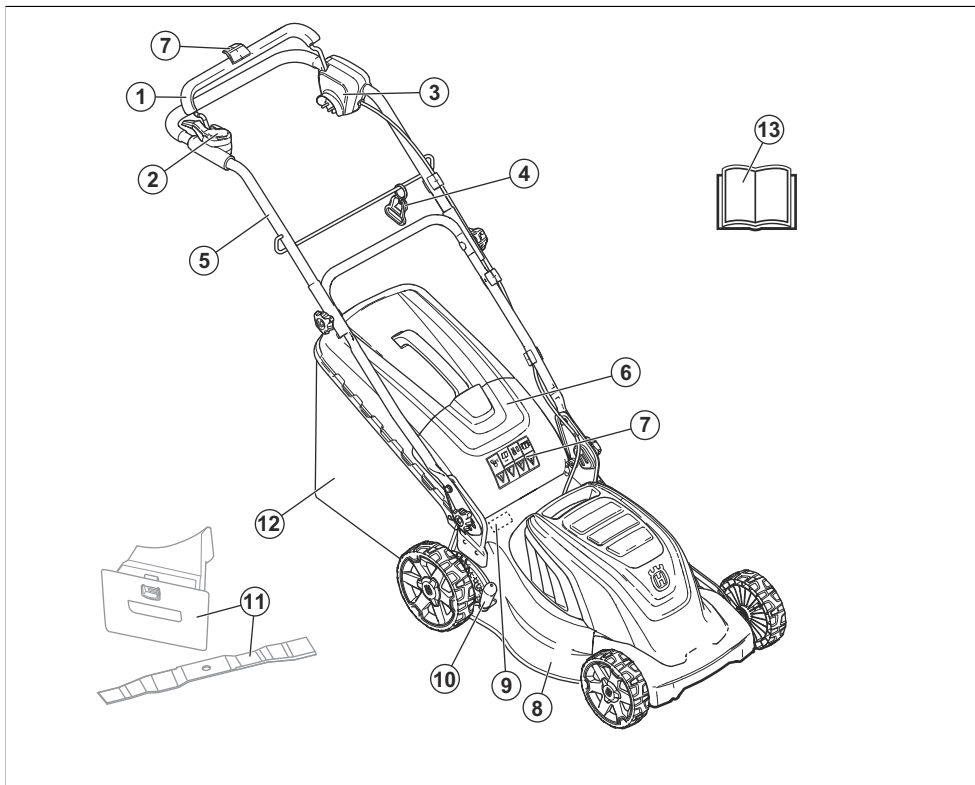
Přehled výrobku LC 141iV / LC 141i



1. Rukojeť brzd motoru
2. Inhibitor spuštění
3. Páka pojezdu (LC 141iV)
4. Řídicí rukojeť
5. Ovládací panel
6. Tlačítko ON/OFF
7. Tlačítko SavE (Úspora energie)
8. Tlačítko ukazatele stavu baterie

9. Kontrolka stavu nabití baterie
10. Varovná kontrolka (Chybová kontrolka LED)
11. Tlačítko snížení rychlosti (LC 141iV)
12. Ukazatel rychlosti (LC 141iV)
13. Tlačítko zvýšení rychlosti (LC 141iV)
14. Zadní kryt
15. Symboly
16. Víko baterie
17. Bezpečnostní klíček
18. Kryt žacího ústrojí
19. Páka pro nastavení výšky sečení
20. Typový štítek
21. Sběrací koš
22. Mulčovací sada (příslušenství pro model LC 141iV)
23. Mulčovací sada (příslušenství pro model LC 141i)
24. Nabíječka baterie (příslušenství)
25. Baterie (příslušenství)
26. Návod k používání

Popis výrobku LC 141C



1. Rukojeť brzdy motoru
2. Inhibitor spuštění
3. Zásuvka napájecího kabelu
4. Držák napájecího kabelu
5. Řídicí rukojeť
6. Zadní kryt
7. Symboly
8. Kryt žacího ústrojí
9. Typový štítek
10. Páka pro nastavení výšky sečení
11. Mulčovací vložka (příslušenství)

12. Sběrací koš
13. Návod k používání

Symboly na výrobku



Pokud není výrobek používán obezřetně a řádně, může dojít k zranění nebo

usmrcení obsluhy či osob v okolí.



Přečtěte si návod k používání a nepoužívejte stroj, pokud mu zcela nerozumíte.



Zajistěte, aby se v pracovní oblasti a jejím okolí nezdržovaly nepovolané osoby či zvířata.



Pozor na odvržené a odražené předměty.



Varování: Ruce a nohy udržujte mimo dosah rotujícího nože.



Varování: Ruce a nohy udržujte mimo dosah rotujících částí.



Před prováděním údržby výrobku vyjměte bezpečnostní klíček. (model LC 141iV/ LC 141i)



Před prováděním údržby výrobku jej odpojte od elektrické sítě. (model LC 141C)

IPX1

IPX1 – Výrobek má ochranu proti kapající

vodě (model LC 141iV/ LC 141i)

IPX4

IPX4 – Výrobek má ochranu proti stříkající vodě (model LC 141C)



Na výrobek nesmí přšet (model LC 141iV/ LC 141i)



Varování: Dávejte pozor, abyste nepřejeli přes kabel napájení a nepřesekli jej. Může to způsobit úraz elektrickým proudem nebo poškození výrobku. (model LC 141C)



Tento výrobek vyhovuje platným směrnici EU.

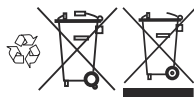


Emise hluku do okolí dle direktivy Evropského společenství. Emise produktu jsou uvedeny v kapitole Technické údaje a na štítku.

Stejnoseměrný proud.
36V



Dvojitá izolace.



Odevzdejte výrobek na sběrném místě elektrických a elektronických zařízení. (Platí pouze pro Evropu)



Startovací proces pro model LC 141iV/
LC 141i: stiskněte tlačítko ON/OFF, povolte inhibitor spuštění, zatlačte rukojeť brzdy motoru směrem dolů.



Startovací proces pro model LC 141C: povolte inhibitor spuštění,

zatlačte rukojeť brzdy motoru směrem dolů.



Uvolněním rukojeti brzdy motoru zastavíte.



Pomalů



Rychle



Skenovatelný kód

Povšimněte si: Další symboly/štítky na produktu se týkají certifikačních požadavků pro určité obchodní trhy.

Odpovědnost za výrobek

Jak uvádí zákon o odpovědnosti za výrobek, neneseme odpovědnost za žádnou škodu způsobenou naším výrobkem, pokud:

- byl výrobek nesprávně opraven.
- byl výrobek opraven pomocí součástí od jiného výrobce nebo součástí, které nejsou výrobcem schváleny.
- má výrobek příslušenství od jiného výrobce nebo příslušenství, které není výrobcem schváleno.
- výrobek nebyl opraven ve schváleném servisním středisku nebo schváleným odborníkem.

Bezpečnost

Definice týkající se bezpečnosti

Varování, upozornění a poznámky slouží jako upozornění na specifické důležité části návodu.



VÝSTRAHA: Používá se v případě nebezpečí úrazu nebo usmrcení obsluhy nebo okolních osob, pokud nejsou dodrženy pokyny uvedené v této příručce.



VAROVÁNÍ: Používá se v případě nebezpečí poškození výrobku, dalších materiálů či škod na majetku v blízkém okolí,

pokud nejsou dodrženy pokyny uvedené v této příručce.

Povšimněte si: Používá se k poskytnutí dalších informací, které jsou nezbytné v dané situaci.

Obecné bezpečnostní pokyny



VÝSTRAHA: Před použitím výrobku si

přečtěte následující varování.

- Tento výrobek je nebezpečný, nepoužívá-li se správně nebo není-li věnována provozu řádná pozornost. Nedodržení bezpečnostních pokynů může vést ke zranění nebo usmrcení.
- Tento výrobek vytváří během provozu elektromagnetické pole. Toto pole může za určitých okolností narušovat funkci aktivních či pasivních implantovaných lékařských přístrojů. Za účelem snížení rizika možného zranění nebo smrtelného úrazu doporučujeme osobám s implantovanými lékařskými přístroji poradit se před použitím výrobku s lékařem a s výrobcem implantovaného lékařského přístroje.
- Buďte stále opatrní a používejte zdravý rozum. Nejste-li si jisti, jak ovládat výrobek ve zvláštních situacích, vypněte jej a promluvte si s prodejcem Husqvarna, než budete pokračovat v práci.
- Mějte na paměti, že obsluha je odpovědná za nehody a škody vzniklé jiným osobám nebo na jejich majetku.
- Udržujte výrobek čistý. Ujistěte se, že jsou značky a štítky dobře čitelné.
- Nikdy nedovolte dětem nebo osobám, které se neseznámily s těmito pokyny, aby zařízení používaly. Věk obsluhy přístroje může být omezen místními předpisy.
- Vždy sledujte osoby s fyzickým nebo mentálním postižením při práci s výrobkem. Vždy musí být přítomna zodpovědná dospělá osoba.
- Nepoužívejte výrobek, jste-li unavení, nemocní nebo pod vlivem alkoholu, drog nebo léků. To by mohlo ovlivnit váš zrak, ostražitost, koordinaci a úsudek.
- Nepoužívejte výrobek, pokud je vadný.
- Nikdy neupravujte výrobek a nepoužívejte jej, pokud je možné, že jej upravil někdo jiný.

Bezpečnost pracovního prostoru



VÝSTRAHA: Před použitím výrobku si

přečtěte následující varování.

- Před použitím výrobku, odklíďte z pracovní oblasti předměty, jako jsou větve, větvičky a kameny.
- Předměty, které mohou být zachyceny žacím ústrojím mohou být odmrštěny a způsobit zranění osob a poškození předmětů. Udržujte osoby v okolí a zvířata v bezpečné vzdálenosti od výrobku.
- Nikdy nepoužívejte výrobek za špatného počasí, jako je mlha, déšť, silný vítr, intenzivní chlad a nebezpečí blesku. Použití výrobku za špatného počasí nebo ve vlhkých či mokrých podmínkách je namáhavé. Nepříznivé počasí může vytvořit nebezpečné podmínky, např. kluzký povrch.
- Dávejte pozor na osoby, předměty a situace, které mohou bránit bezpečnému provozu výrobku.
- Dávejte pozor na překážky, jako jsou kořeny, kameny, větve, díry a příkopy. Vysoká tráva může překážky skrýt.
- Sečení trávy na svazích může být nebezpečné. Nesečte na

příliš prudkých svazích. Nepoužívejte výrobek na svahu se sklonem větším než 15°.

- Při změně směru na svazích buďte maximálně opatrní. S výrobkem jezděte po vrstevnicích. Nepohybujte se na svahu nahoru a dolů.
- Postupujte opatrně v blízkosti skrytých rohů a objektů, které mohou bránit ve výhledu.

Bezpečnost práce



VÝSTRAHA: Před použitím výrobku si přečtěte následující varování.

- Tento výrobek používejte výhradně k sečení trávy. Není dovoleno používat výrobek k jiným činnostem.
- Používejte osobní ochranné pomůcky. Další informace naleznete v části *Osobní ochranné prostředky na strani 66*.
- Ujistěte se, že víte, jak v případě nouze rychle zastavit motor.
- Neprovozujte výrobek v dešti a vlhku. Nebezpečí úrazu elektrickým proudem se zvyšuje, přijde-li výrobek do styku s vodou.

- Neprovozujte výrobek, pokud není správně namontovaný nůž a všechny kryty. V opačném případě by se mohl nůž uvolnit a způsobit zranění osob.
- Zajistěte, aby nůž nenarazil do předmětů, jako jsou kameny a kořeny. Mohlo by dojít k poškození nože a ohnutí hřídele motoru. Ohnutý hřídel způsobuje velké vibrace a hrozí velmi vysoké riziko uvolnění nože.
- Pokud nůž narazí do nějakého předmětu nebo se objeví vibrace, okamžitě zastavte výrobek. Zastavte motor, otočte bezpečnostní klíček do polohy 0 a vyjměte baterii (model LC 141iV a LC 141i) nebo odpojte napájecí kabel (model LC 141C). Zkontrolujte, zda není výrobek poškozený. Opravte poškozené díly nebo svěřte opravu schválenému servisnímu pracovníkovi.
- Po nastartování motoru nikdy nepřipevňujte rukojeť brzdy motoru trvale k rukojeti sekačky.
- Umístěte výrobek na stabilní, rovný povrch a nastartujte jej. Zkontrolujte, zda nůž nemůže přijít do kontaktu se zemí nebo cizími objekty.
- Při provozu vždy stůjte za výrobkem.
- Při provozu nechte všechna kola spočívat na zemi a držte rukojeť oběma rukama. Ruce a nohy udržujte mimo dosah rotujících nožů.
- Nenaklánějte výrobek, když je spuštěný motor.
- Dávejte pozor při tažení výrobku dozadu.
- Nikdy výrobek nezvedejte, když je spuštěný motor. Pokud musíte výrobek zvednout, nejprve vypněte motor, otočte bezpečnostní klíček do polohy 0 a vyjměte baterii (model LC 141iV a LC 141i) nebo odpojte napájecí kabel (model LC 141C).
- Při provozování výrobku nechodte směrem dozadu.
- Před přejezdem ploch bez trávy, jako jsou cesty vytvořené ze štěrku, kamenů nebo asfaltu, vypněte motor.
- Neběhejte s výrobkem, když je spuštěný motor. Při provozu výrobku vždy pouze chodte.
- Před změnou výšky sečení vypněte motor. Nikdy neupravujte nastavení při spuštěném motoru.
- Nikdy nenechte výrobek se spuštěným motorem bez

dozoru. Vypněte motor a ujistěte se, že se žací ústrojí neotáčí.

Bezpečnostní pokyny pro provoz

Osobní ochranné prostředky



VÝSTRAHA: Před použitím výrobku si přečtěte následující varování.

- Osobní ochranné prostředky nemohou zcela eliminovat nebezpečí úrazu, ale v případě nehody pomohají snížit míru poranění. Požádejte prodejce, aby vám pomohl vybrat správné vybavení.
- Používejte odolnou obuv s protiskluzovou podrážkou. Nepoužívejte otevřenou obuv ani nepracujte naboso.
- Používejte silné, dlouhé kalhoty.
- Při určitých činnostech používejte ochranné rukavice, například při nasazování, prohlídce nebo čištění žacího ústrojí.

Bezpečnostní zařízení na produktu



VÝSTRAHA: Před použitím výrobku si přečtěte následující varování.

- Nepoužívejte výrobek, jehož bezpečnostní zařízení jsou vadná!

- Pravidelně kontrolujte bezpečnostní zařízení. Pokud je zařízení vadné, obraťte se na servis Husqvarna.

Kontrola krytu žacího ústrojí

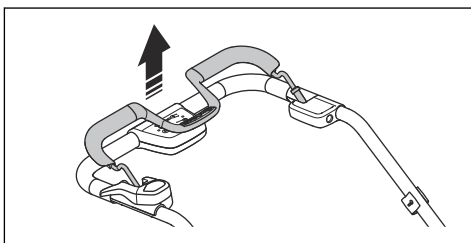
Kryt žacího ústrojí snižuje vibrace výrobku a snižuje nebezpečí poranění nožem.

- Zkontrolujte kryt žacího ústrojí, aby bylo zajištěno, že nevykazuje známky poškození, např. praskliny.

Rukojeť brzdy motoru

Rukojeť brzdy motoru slouží k zastavení motoru. Když uvolníte rukojeť brzdy motoru, motor se zastaví.

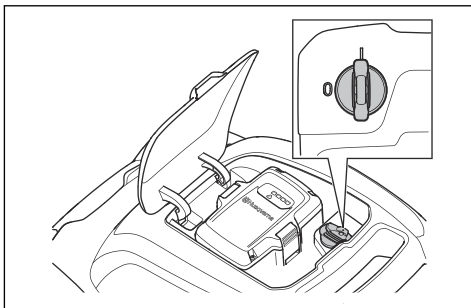
Chcete-li zkontrolovat funkci brzdy motoru, nastartujte motor a uvolněte rukojeť brzdy motoru. Pokud se motor nevyklopí během 3 sekund, požádejte schváleného servisního pracovníka Husqvarna o seřízení brzdy motoru.



Bezpečnostní klíček (modely LC 141iV a LC 141i)

Bezpečnostní klíček se nachází pod víkem baterie. Bezpečnostní klíček připojuje baterii, která slouží jako napájecí zdroj motoru.

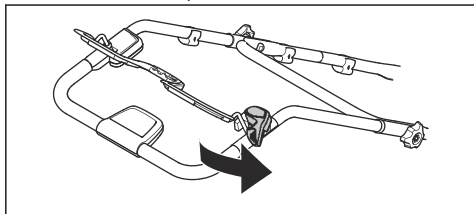
- Kontrolu funkce bezpečnostního klíčku provedete spuštěním a vypnutím motoru.
- V případě správné funkce bezpečnostního klíčku se motor spustí, pouze když je klíček otočený do polohy 1.



Kontrola inhibitoru spuštění

Provedte kontrolu inhibitoru spuštění a ujistěte se, že brání provozu motoru.

1. Zatlačte rukojeť brzdy motoru směrem k řídkům. Inhibitor spuštění přeruší pohyb.
2. Zatlačte inhibitor spuštění směrem ven.

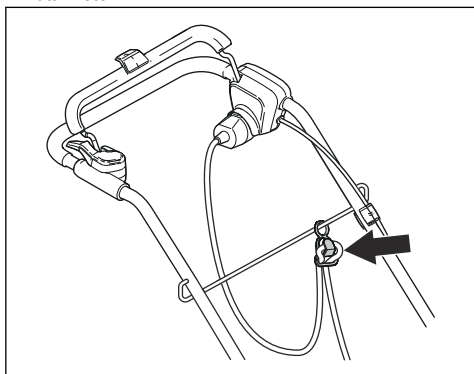


3. Uvolněte inhibitor spuštění a ujistěte se, že se vrátí do své výchozí polohy.

Použití držáku napájecího kabelu (model LC 141C)

Držák napájecího kabelu snižuje tlak na zásuvku a napájecí kabel. Držák napájecího kabelu rovněž snižuje riziko, že upadnete.

1. Ohněte napájecí kabel do malé smyčky.
2. Vložte smyčku do otvoru v držáku napájecího kabelu.
3. Položte smyčku na hák.
4. Zatáhnutím za napájecí kabel smyčku kolem háku utáhněte.



Bezpečnostní pokyny týkající se baterií



VÝSTRAHA: Před použitím výrobku si přečtěte následující varování.

- Dobíjecí baterie Husqvarna použijte jako zdroj napájení pouze pro související produkty Husqvarna. Abyste zabránili zranění, nepoužívejte baterii jako zdroj napájení pro jiná zařízení.
- Nepoužívejte baterie, které nejsou určeny k dobíjení.
- Nebezpečí úrazu elektrickým proudem. Vývody baterie nepřipojujte ke klíčům, mincím, šroubkům nebo jiným kovům. Může to způsobit zkrat baterie.
- Nevkládejte do větracích otvorů baterie žádné předměty.
- Chraňte baterii před sluncem, teplem nebo otevřeným ohněm. Baterie může explodovat a způsobit popáleniny a/nebo chemické popáleniny.
- Chraňte baterii před deštěm a vlhkým prostředím.
- Chraňte baterii před mikrovlnami a vysokým tlakem.
- Baterii nikdy nerozebírejte nebo nerozbíjejte.
- Pokud baterie netěsní, kapalina nesmí přijít do styku s kůží a očima. Po styku s kapalinou omyjte zasaženou

- oblast velkým množstvím vody a získejte lékařskou pomoc.
- Baterii používejte při teplotě -10 °C až 40 °C.
 - Baterii ani nabíječku baterií nečistěte vodou. Viz *Čištění baterie nebo nabíječky baterií na straní 78*.
 - Nepoužívejte vadnou nebo poškozenou baterii.
 - Baterie uchovávejte mimo dosah kovových předmětů, jako jsou např. hřebíky, mince nebo šperky.

Bezpečnostní pokyny pro nabíječku baterií



VÝSTRAHA: Před použitím výrobku si přečtěte následující varování.

- Nabíječku baterií QC používejte pouze pro nabíjení náhradních baterií Husqvarna.
- Hrozí nebezpečí zkratu a úrazu elektrickým proudem. Nevkládejte do větracích otvorů nabíječky žádné předměty. Nabíječku baterií nerozebírejte. Nepřipojujte nabíjecí vývody ke kovovým předmětům. Používejte schválenou elektrickou zásuvku.
- Tento výrobek vytváří během provozu elektromagnetické pole. Toto pole může za určitých okolností narušovat funkci aktivních či pasivních implantovaných lékařských přístrojů. Za účelem snížení rizika možného zranění nebo smrtelného úrazu doporučujeme osobám s implantovanými lékařskými přístroji poradit se před použitím výrobku s lékařem a s výrobcem implantovaného lékařského přístroje.
- Pravidelně kontrolujte, zda není napájecí kabel poškozený a nejsou na něm praskliny.
- Nabíječku nezvedejte pomocí napájecího kabelu. Když nabíječku baterií odpojujete z elektrické zásuvky, tahejte za zástrčku. Netahejte za napájecí kabel.
- Uchovávejte napájecí kabel a prodlužovací šňůry mimo dosah vody, oleje a ostrých okrajů. Dejte pozor, aby nebyl kabel přivřen ve dveřích, nezachytil se za plot a podobně. Mohlo by dojít k probíjení nabíječky.
- Nabíječku baterií nečistěte vodou.

- Nabíječku baterií smí používat děti od 8 let a osoby se sníženými fyzickými, smyslovými nebo duševními schopnostmi nebo nedostatečnými zkušenostmi či znalostmi pod dozorem odpovědné osoby, nebo pokud jim takováto osoba poskytne pokyny, které zajistí, že budou nabíječku používat bezpečným způsobem. Děti si s nabíječkou nesmí hrát. Čištění a údržbu nesmí provádět děti bez dozoru.
- V nabíječce nenabíjejte baterie, které nejsou určeny k opětovnému dobíjení.
- Nabíječku nepoužívejte v blízkosti hořlavých nebo korozivních materiálů. Nabíječku baterií nezakrývejte. V případě, že zaznamenáte kouř nebo požár, vytáhněte zástrčku kabelu nabíječky baterií ze zásuvky.
- Nepoužívejte vadnou nebo poškozenou nabíječku baterií.
- Baterii nabíjejte pouze uvnitř, a to v dobře odvětrané místnosti a mimo dosah slunečních paprsků. Nenabíjejte baterii ve vlhkém prostředí.
- Doporučuje se použít proudový chránič (RCD) se spouštěcím proudem do hodnoty 30 mA. Ani s proudovým chráničem nelze 100% zaručit bezpečnost a je nutné vždy dodržovat bezpečné pracovní postupy. Při každém použití zkontrolujte proudový chránič.
- Pokud dojde k přerušení napájecího kabelu nebo poškození izolace, okamžitě odpojte stroj od elektrické sítě.
- Nedotýkejte se přerušeného nebo poškozeného napájecího kabelu, dokud nebude přerušeno elektrické napájení.
- Přerušený nebo poškozený napájecí kabel se nepokoušejte opravit. Vyměňte ho za nový.

Bezpečnostní pokyny pro údržbu



VÝSTRAHA: Před použitím výrobku si přečtěte následující varování.

- Pro model LC 141iV, LC 141i: Neúmyslnému spuštění během údržby můžete zabránit tím, že otočíte bezpečnostní klíček do polohy 0 a vyjmete baterii. Před započítáním údržby vyčkejte minimálně 5 sekund.
- Pro model LC 141C: Neúmyslnému spuštění

Bezpečnost napájecího kabelu

Pro model LC 141C.

během údržby můžete zabránit tím, že odpojíte napájecí kabel.

- Správným provedením údržby zvýšíte životnost výrobku a snížíte nebezpečí nehod. Odborné opravy by měl provést schválený servisní pracovník. Pro další informace se obraťte na nejbližšího servisního pracovníka.
- Provádějte pouze údržbu uvedenou v tomto návodu k používání. Rozsáhlejší zásahy musí provést schválený servisní pracovník.
- Při manipulaci s žacím ústrojím používejte silné rukavice. Nůž je velmi ostrý a může snadno dojít k pořezání.
- Pro dosažení nejlepšího výsledku a bezpečnosti

zajistěte, aby byla ostří nože čistá a ostrá.

- Zajistěte pravidelné kontroly a provádění potřebného seřízení a oprav výrobku u servisního pracovníka.
- Poškozené, opotřebené či prasklé součásti vyměňte.
- Dodržujte pokyny pro výměnu příslušenství. Používejte výhradně příslušenství od výrobce.
- Pokud není výrobek, baterie a nabíječka baterií právě v provozu, uchovávejte je samostatně v suchém, vnitřním a uzamčeném prostoru. Zajistěte, aby k výrobku, baterii či nabíječce baterií neměly přístup děti ani nepovolané osoby.

Montáž

Úvod



VÝSTRAHA: Před montáží produktu si přečtěte kapitolu bezpečnosti.

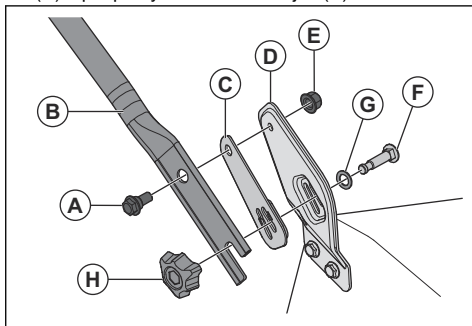


VÝSTRAHA: Pro model LC 141iV, LC 141i: Neúmyslnému spuštění během montáže můžete zabránit tím, že otočíte bezpečnostní klíček do polohy 0, vyjmete baterii a počkáte alespoň 5 sekund.

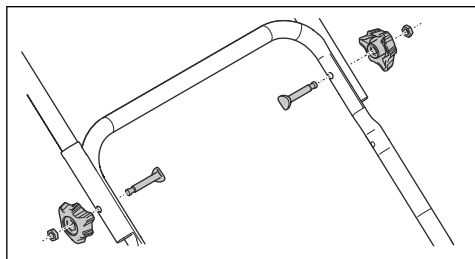
Pro model LC 141C: Neúmyslnému spuštění během montáže můžete zabránit tím, že odpojíte napájecí kabel.

Montáž rukojeti

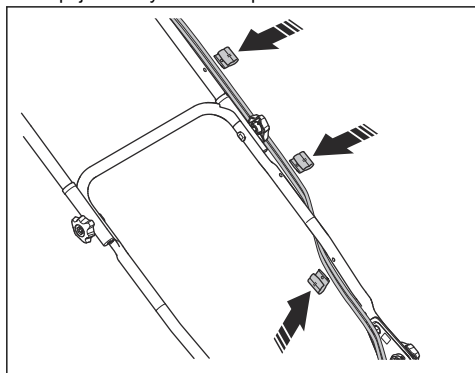
1. Prostrčte šroub (A) rukojetí (B), plastovou podložkou (C) a podpurným držákem rukojeti (D).



2. Zcela utáhněte matici (E).
3. Prostrčte šroub (F) podložkou (G) a podpůrným držákem rukojeti.
4. Zcela dotáhněte knoflík (H).
5. Díry v rukojeti i v její dolní části zarovnejte a připevněte šrouby, podložky a knoflíky. Knoflíky řádně utáhněte.

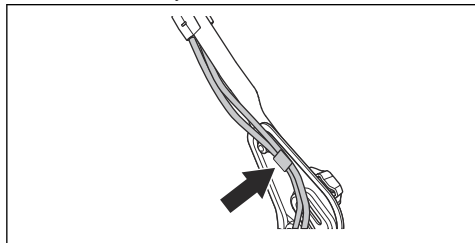


6. Připojte kabely k říditkům pomocí držáků kabelů.



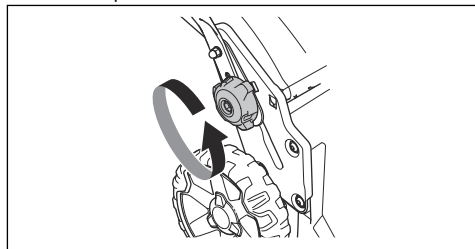
Povšimněte si: Zkontrolujte, zda není napnutí lanek příliš velké. Pokud je kabel příliš napnutý, může při složení říditék do přepravní polohy dojít k jeho poškození.

7. Zahákněte kabely za háček v dolní části říditék.

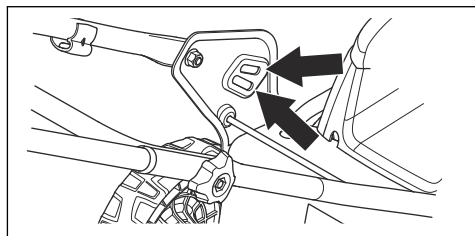


Nastavení výšky rukojeti

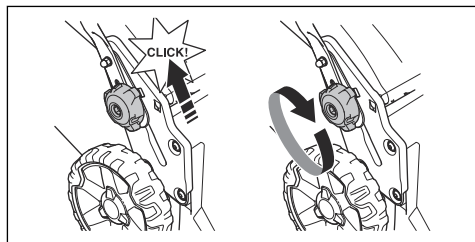
1. Povolte spodní matici.



2. Odmontujte knoflík, podložku a šroub na pravé a levé straně.
3. Rukojeť lze nastavit do dvou různých výšek. Vložte šroub do jednoho ze dvou otvorů na pravé a levé straně.

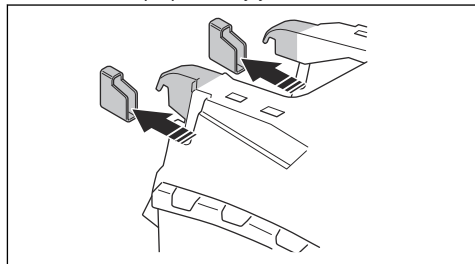


4. Připevněte šrouby, podložky a knoflíky.
5. Posuňte knoflíky směrem k rukojeti, dokud se nezastaví a neuslyšíte cvaknutí. Knoflíky řádně utáhněte.

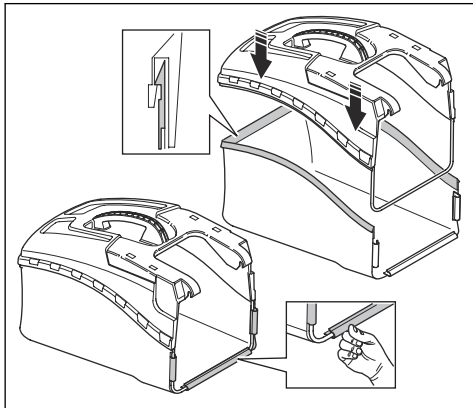


Montáž koše na trávu

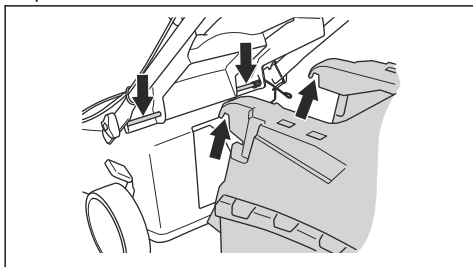
1. Zatláčte dva přepravní kryty směrem ven a dolů.



2. Vložte horní část koše na trávu do dolní části koše na trávu. Připevněte koš na trávu pomocí svorek.

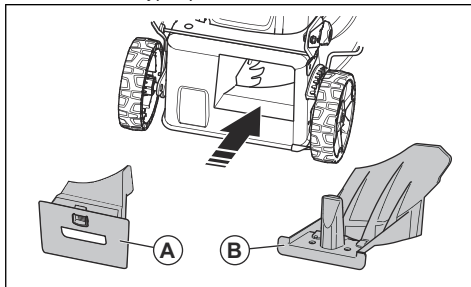


3. Zvedněte zadní kryt.
4. Upevněte háčky na koši na trávu k hornímu okraji podvozku.



Montáž mulčovací sady

1. Zvedněte zadní kryt a vyjměte koš na trávu.
2. Vložte mulčovací vložku do kanálu výhozu trávy. Mulčovací vložka typu A je pro modely LC 141i a LC 141C. Typ B pro model LC 141iV.



3. Zavřete zadní kryt.
4. Nahradte nůž nožem Combi, viz *Odmontování a výměna nože na strani 78*.

Provoz

Úvod



VÝSTRAHA: Před používáním produktu je třeba, abyste si přečetli a porozuměli kapitole o bezpečnosti.

Husqvarna Connect

Husqvarna Connect je bezplatná aplikace pro mobilní zařízení. Aplikace Husqvarna Connect dodá vašemu výrobku Husqvarna doplňkové funkce:

- Rozšířené informace o výrobku.
- Informace o dílech a servisu a nápověda pro tyto položky.

Jak začít používat aplikaci Husqvarna Connect

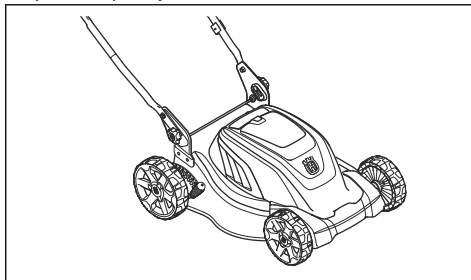
1. Stáhněte si aplikaci Husqvarna Connect do svého mobilního zařízení.
2. V aplikaci Husqvarna Connect se zaregistrujte.

3. Při připojování a registraci výrobku postupujte podle pokynů v aplikaci Husqvarna Connect.

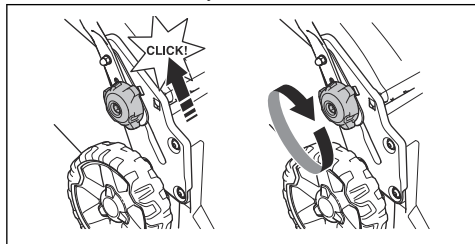
Nastavení výrobku do provozní polohy

Jsou-li říditka v poloze pro přepravu a uložení (viz část *Nastavení produktu do přepravní polohy na strani 80*), následujícím způsobem je umístěte do provozní polohy.

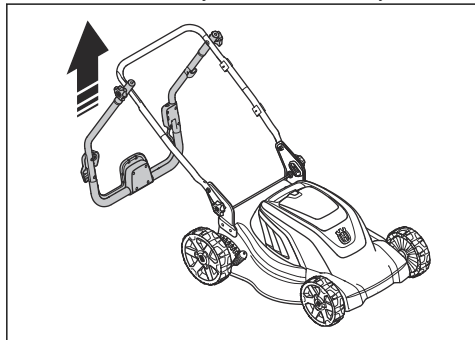
1. Zvedněte říditka, dokud spodní rukojeť nezapadne do provozní polohy.



2. Posunujte spodní knoflíky směrem k rukojeti, dokud se nezastaví a neuslyšíte cvaknutí.

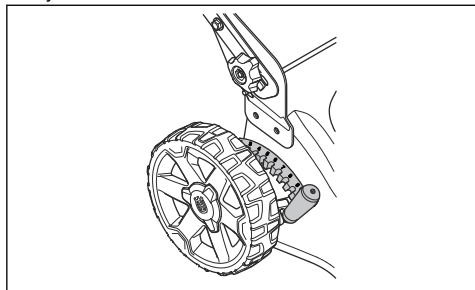


3. Knoflíky dotáhněte.
4. Zvedněte horní rukojeť a utáhněte knoflíky.



Nastavení výšky sečení

1. Chcete-li zvýšit výšku sečení, posuňte páku pro nastavení výšky sečení dozadu.
2. Posunem páky pro nastavení výšky sečení dopředu výšku sečení snížíte.



VAROVÁNÍ: Nenastavujte výšku sečení příliš nízko. V případě, že není povrch trávníku rovný, mohou nože přijít do styku se zemí.

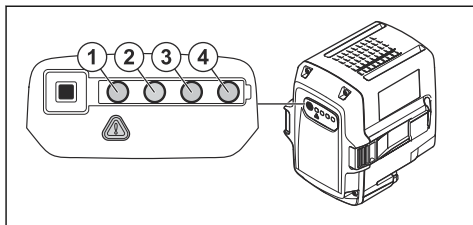
Baterie



VÝSTRAHA: Před použitím baterie je třeba, abyste si přečetli a porozuměli kapitole o bezpečnosti. Rovněž je nezbytné, abyste si přečetli a pochopili návod k používání baterie a nabíječky baterií.

Stav baterie

Displej ukazuje zbývající kapacitu baterie a zda došlo k problémům s baterií. Kapacita baterie se zobrazuje 5 sekund po vypnutí produktu nebo po stisku tlačítka ukazatele stavu baterie. Pokud dojde k chybě, rozsvítí se na baterii výstražný symbol. Viz *Baterie na straně 79*.



Kontrolky LED	Stav baterie
Všechny kontrolky LED svítí	Plné nabití (75–100 %).
Svítí kontrolky LED 1, LED 2, LED 3.	Nabití baterie je 50–75 %.
Svítí kontrolky LED 1, LED 2.	Nabití baterie je 25–50 %.
Svítí kontrolka LED 1.	Baterie je nabitá na 0–20 %.
Bliká kontrolka LED 1.	Baterie je vybitá. Nabíjte baterii.

Nabití baterie

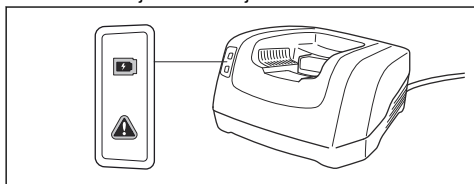
Před prvním použitím baterií nabíjte. Baterie je při dodání zákazníkovi nabitá pouze na 30 %.

Povšimněte si: Nabíječka baterií musí být připojena ke zdroji o napětí a frekvenci uvedené na typovém štítku.

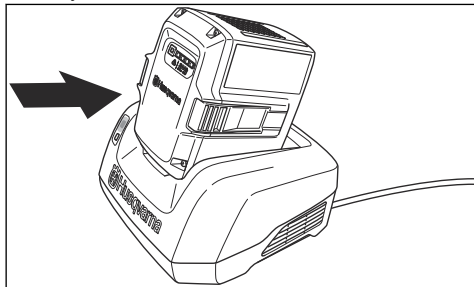
Pokud teplota baterie přesahuje 50 °C, baterie se nenabíjí. Před zahájením nabíjení zajistí nabíječka baterií snížení teploty baterie.

1. Připojte jeden konec napájecího kabelu nabíječky baterií do zásuvky na nabíječce baterií.

- Připojte druhý konec napájecího kabelu nabíječky baterií do uzemněné elektrické zásuvky. Kontrolka LED na nabíječce baterií jednou zeleně blikne.



- Vložte baterii do nabíječky baterií. Když je baterie správně připojená k nabíječce baterií, rozsvítí se na nabíječce zelené světlo.



- Když svítí všechny kontrolky LED baterie, baterie je plně nabitá. Baterii nabíjete maximálně po dobu 24 hodin.
- Když nabíječku baterií odpojujete z elektrické zásuvky, tahejte za zástrčku, nikoliv za kabel.
- Vyjměte baterii z nabíječky.

Stav nabíjení baterie

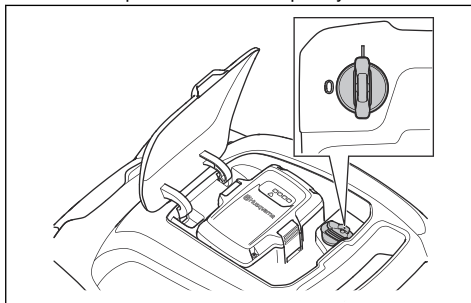
Lithium-iontové baterie Husqvarna lze nabíjet i používat bez ohledu na jejich úroveň nabití. Baterie není poškozená. I když plně nabitou baterii ponecháte v nabíječce, nedojde k poklesu jejího nabití.

LED displej	Stav nabíjení
Bliká kontrolka LED 1.	0–25 %
Svítí kontrolka LED 1, bliká kontrolka LED 2.	25–50 %
Svítí kontrolky LED 1, LED 2, bliká kontrolka LED 3.	50–75 %
Svítí kontrolky LED 1, LED 2, LED 3, bliká kontrolka LED 4.	75–100 %
Svítí kontrolky LED 1, LED 2, LED 3, LED 4.	Plně nabitá

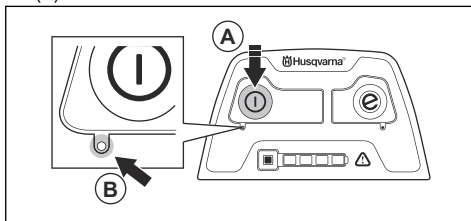
Provoz modelu LC 141iV a LC 141i

Spuštění výrobku

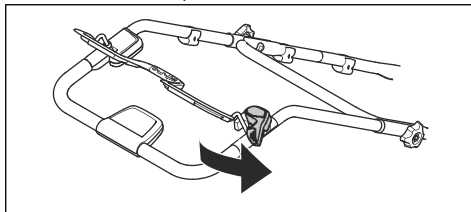
- Vložte nabitou baterii do přihrádky na baterii.
- Otočte bezpečnostní klíček do polohy 1.



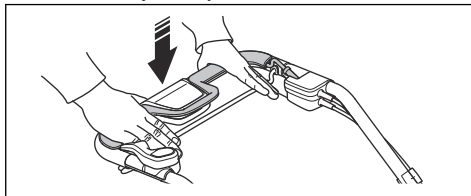
- Postavte se za výrobek.
- Na ovládacím panelu stiskněte tlačítko ON/OFF (ZAP/VYP) (A). Rozsvítí se zelená kontrolka LED (B).



- Povolte inhibitor spuštění.

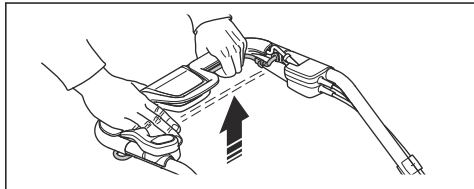


- Zatlačte rukojeť brzdy motoru směrem k řídítkům.

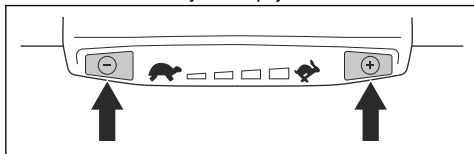


Použití pohonu kol

- Model LC 141iV. Pojezd spustíte přitáhnutím páky pojezdu směrem k řídítkům.



- Stiskem tlačítek + a - na ovládacím panelu lze nastavit 4 úrovně rychlosti pojezdu.

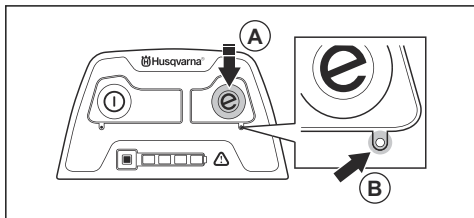


- V blízkosti překážek uvolněte páku pojezdu, aby se deaktivoval pohon.

Použití funkce SavE

Výrobek má funkci úspory energie v bateriích (SavE), která prodlužuje dobu provozu.

1. Funkci zapnete stisknutím tlačítka SavE (A). Rozsvítí se zelená kontrolka LED (B).



2. Opětovným stiskem tlačítka SavE funkci vypnete. Zelená kontrolka LED (B) zhasne.

Funkce SavE se vypne automaticky, pokud terénní podmínky vyžadují vyšší výkon. Jakmile to terénní podmínky dovolí, funkce SavE se automaticky zapne.

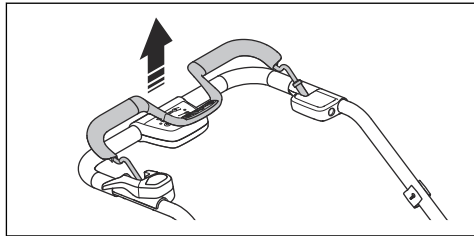
Funkce vysokého zatížení

Když výrobek seká dlouhou či mokrou trávu, motor automaticky zvýší své otáčky. Když není režim vysokého zatížení potřeba, motor se vrátí do standardního režimu.

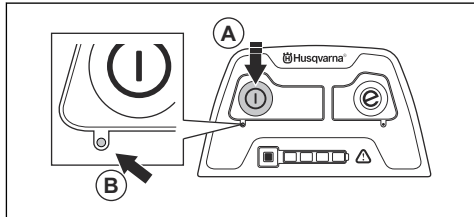
Zastavení výrobku

Výrobek se automaticky vypne po 10 minutách, kdy s ním nepracujete. Před tím, než ponecháte výrobek bez dozoru, otočte vždy bezpečnostní klíček do polohy 0.

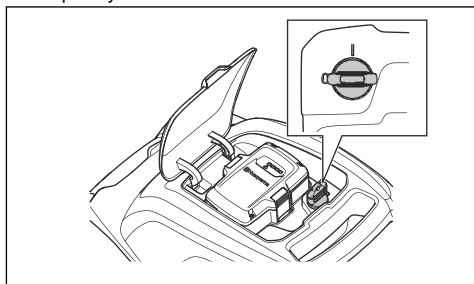
1. Zastavte motor uvolněním rukojeti brzdy motoru.



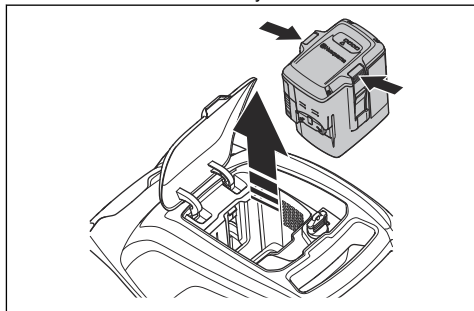
2. Na ovládacím panelu stiskněte tlačítko ON/OFF (ZAP/VYP) (A). Zelená kontrolka LED (B) zhasne.



3. Otevřete víko baterie a otočte bezpečnostní klíček do polohy 0.



4. Chcete-li baterii vyjmout, stiskněte dvě tlačítka pro uvolnění baterie a baterii vytáhněte.



5. Pokud je baterie slabá, nabijte ji. Další informace viz *Nabití baterie na strani 73.*

Provoz modelu LC 141C

Výběr schváleného kabelu (LC 141C)

Povšimněte si: V případě trhu Velké Británie použijte pouze 16m prodlužovací kabel, který je součástí výrobku. V případě ostatních trhů postupujte podle informací níže.

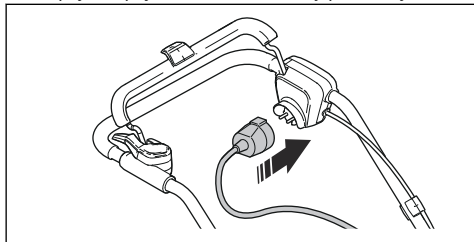
Při použití prodlužovacích kabelů musí mít kabely minimální průřezy uvedené v tabulce níže:

Napětí	Délka kabelu	Průřez
220–240 V / 50 Hz	Až 20 m	1,5 mm ²
220–240 V / 50 Hz	20–50 m	2,5 mm ²

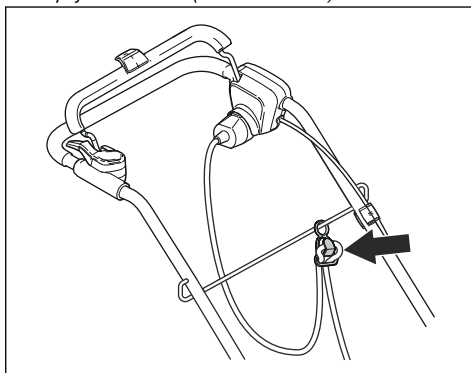
- Přívodní a prodlužovací kabely jsou k dostání od místního schváleného servisního pracovníka pro venkovní produkty Husqvarna.
- Používejte prodlužovací kabely navržené pro venkovní použití splňující jednu z následujících specifikací: Běžná pryž (60245 IEC 53), běžné PVC (60227 IEC 53) nebo běžné PCP(60245 IEC 57)
- Pokud je kabel poškozený, musí ji vyměnit výrobce, servisní pracovník nebo kvalifikované osoby, aby se eliminovalo nebezpečí.

Spuštění výrobku

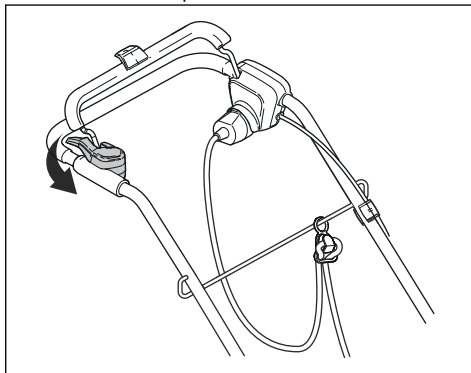
1. Připojte napájecí kabel do zásuvky pod rukojetí.



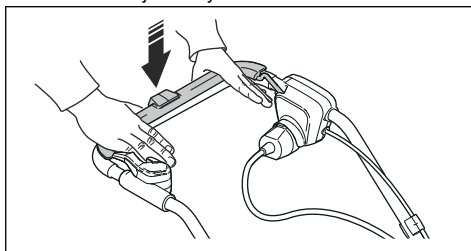
2. Vložte napájecí kabel do držáku napájecího kabelu. Další informace naleznete v části *Použití držáku napájecího kabelu (model LC 141C)* na strani 67.



3. Postavte se za výrobek.
4. Povolte inhibitor spuštění.

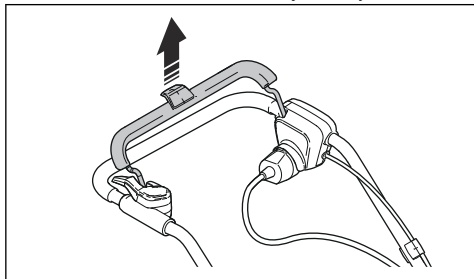


5. Zatláchte rukojeť brzdy motoru směrem k řidítkům.

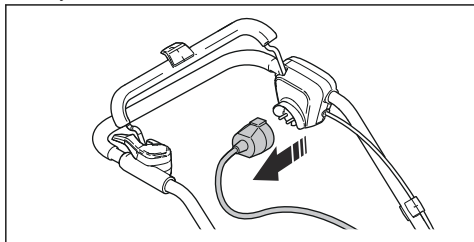


Zastavení výrobku

1. Zastavte motor uvolněním rukojeti brzdy motoru.



2. Odpojte napájecí kabel z elektrické sítě a poté z výrobku.



VAROVÁNÍ: Zástrčku vytahujte rovně. Netahejte za napájecí kabel.

Jak docílit dobrých výsledků

- Používejte vždy ostrý nůž. Při použití tupého nože je stříh nepravidelný a posečený povrch trávy žlutne. Ostrý nůž také vyžaduje méně energie než tupý nůž.
- Nesekejte více než 1/3 výšky trávy. Nejprve sekejte se žací ústrojím nastaveným vysoko. Zkontrolujte výsledek a případně snižte výšku sečení na požadovanou úroveň. Pokud je tráva velmi vysoká, jezděte pomalu a v případě potřeby sekejte 2krát.
- Sekejte vždy v jiném směru, aby na trávníku nevznikly pruhy.

Údržba

Úvod



VÝSTRAHA: Před prováděním údržby je třeba, abyste si přečetli a porozuměli kapitole o bezpečnosti.

Pro servis a opravy výrobku je nezbytné speciální školení. Garantujeme dostupnost profesionálních oprav a servisu. Pokud neposkytujete prodejce servisní služby, požádejte jej o informace o nejbližším servisu.

Plán údržby

Intervaly údržby se vypočítávají na základě každodenního používání výrobku. Intervaly se mění, není-li výrobek používán denně.

Pro údržbu označenou symbolem * najdete pokyny v části *Bezpečnostní zařízení na produktu na strani 66*.

Modely LC 141iV, LC 141i a LC 141C	Každé použití	Měsíčně	Každou sezónu
Proveďte běžnou kontrolu.	X		
Vyčistěte výrobek.	X		
Zkontrolujte inhibitor spuštění.*	X		
Zkontrolujte, zda nejsou vadná bezpečnostní zařízení výrobku.*	X		
Zkontrolujte žací ústrojí.	X		
Zkontrolujte kryt žacího ústrojí.*	X		
Zkontrolujte rukojeť brzdy motoru.*	X		

Pouze modely LC 141IV a LC 141I	Každé použití	Měsíčně	Každou sezónu
Zkontrolujte, že tlačítko ON/OFF (ZAP/VYP) funguje správně a není vadné.	X		
Zkontrolujte, zda není baterie poškozena.	X		
Zkontrolujte úroveň nabití baterie.	X		
Zkontrolujte, zda na baterii fungují tlačítka pro uvolnění baterie a zda baterii drží v produktu.	X		
Zkontrolujte, zda není nabíječka baterií poškozena a ujistěte se, že funguje správně.		X	
Zkontrolujte připojení mezi baterií a výrobkem. Rovněž zkontrolujte připojení mezi baterií a nabíječkou baterií.			X

Provedení běžné kontroly

- Zajistěte, aby byly matice a šrouby na výrobku správně dotaženy.
- Zkontrolujte, že kabely výrobku nejsou na místě, kde by mohlo dojít k jejich poškození.

Čištění výrobku

- Plastové části čistěte čistou a suchou utěrkou.
- Nečistěte výrobek vodou. Voda může proniknout do baterie nebo motoru a způsobit zkrat nebo poškození výrobku.
- K čištění výrobku nepoužívejte vodu pod vysokým tlakem.
- Motor nesmí být přímo oplachován vodou.
- Pomocí kartáče odstraňte listí, trávu a nečistoty.

Čištění baterie nebo nabíječky baterií



VAROVÁNÍ: Baterii ani nabíječku baterií nečistěte vodou.

- Než vložíte baterii do nabíječky, zkontrolujte, zda jsou baterie a nabíječka baterie čisté a suché.
- Očistěte kontakty baterie stlačeným vzduchem nebo použijte měkkou a suchou utěrku.
- Očistěte povrch baterie a nabíječku baterie měkkou a suchou utěrkou.

Kontrola žacího ústrojí



VÝSTRAHA: Pro modely LC 141IV a LC 141I: Neúmyslnému spuštění můžete zabránit tak, že otočíte bezpečnostní klíček do polohy 0, vyjmete baterii a počkáte alespoň 5 sekund.

Pro model LC 141C: Neúmyslnému spuštění můžete zabránit tím, že odpojíte napájecí kabel.



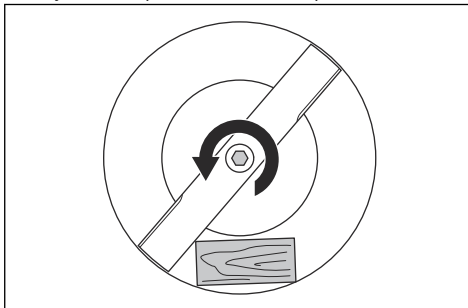
VÝSTRAHA: Při provádění údržby žacího ústrojí používejte ochranné rukavice. Nůž je velmi ostrý a může snadno dojít k porážení.

1. Zkontrolujte žací ústrojí ohledně poškození a prasklin. Poškozené žací ústrojí vždy vyměňte.
2. Prohlédněte nůž a zkontrolujte, zda není poškozený nebo tupý.

Povšimněte si: Po ostření je nezbytné nůž vyvážit. Výměnu, ostření a vyvážení nože svěďte servisnímu středisku. Dojde-li k nárazu do překážky, po kterém dochází k vypínání výrobku, vyměňte poškozený nůž. O tom, zda je možné nůž nabrousit či zda je nutné ho vyměnit, rozhodne servisní středisko.

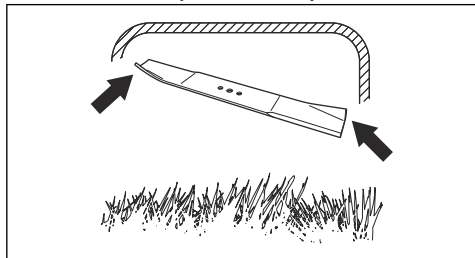
Odmontování a výměna nože

1. Zajistěte nůž pomocí dřevěného špalíku.

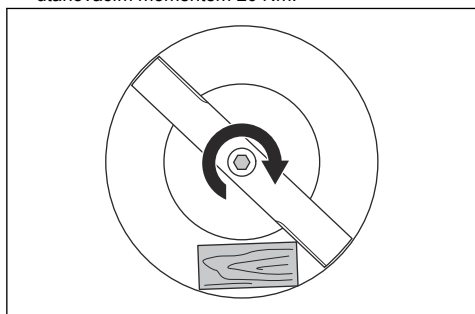


2. Demontujte šroub nože.
3. Odmontujte nůž.
4. Prohlédněte držák nože a šroub nože a zkontrolujte, zda nejsou poškozené.
5. Prohlédněte hřídel motoru a ujistěte se, že není ohnutý.

6. Při montáži nového nože nasměrujte zahnuté konce nože ve směru krytu žacího ústrojí.



7. Zkontrolujte, zda je nůž zarovnaný se středem hřídele motoru.
8. Zajistěte nůž pomocí dřevěného špalíku. Nasaďte pružnou podložku a utáhněte šroub a podložku utahovacím momentem 20 Nm.



9. Otočte nožem rukou a zkontrolujte, zda se volně otáčí.



VÝSTRAHA: Používejte odolné rukavice. Nůž je velmi ostrý a může snadno dojít k pořezání.

10. Nastartujte výrobek a proveďte test nože. Pokud není nůž správně připevněn, výrobek vibruje a výsledky sečení nejsou uspokojivé.

Odstraňování problémů

Baterie

Kontrolka LED na baterii	Příčina	Řešení
Zelená kontrolka LED bliká.	Napětí baterie je nízké.	Nabijte baterii. Další informace naleznete v části <i>Nabití baterie na strani 73</i> .
Chybová kontrolka LED bliká.	Baterie je slabá.	Nabijte baterii. Další informace naleznete v části <i>Nabití baterie na strani 73</i> .
	Teplota v pracovním prostředí je příliš vysoká nebo nízká.	Baterii použijte při teplotě -10 °C až 40 °C .
	Přepětí.	Zkontrolujte, zda napětí elektrické sítě odpovídá napětí uvedenému na typovém štítku výrobku. Vyměňte baterii z nabíječky. Počkejte 5 sekund a zkuste baterii znovu nabít. Pokud potíže přetrvávají, obraťte se na schváleného servisního pracovníka.

Kontrolka LED na baterii	Příčina	Řešení
Chybová kontrolka LED svítí.	Příliš velký rozdíl napětí článku (1 V).	Obrat'te se na schváleného servisního pracovníka.

Nabíječka baterií

Kontrolka LED na nabíječce baterií	Příčina	Řešení
Chybová kontrolka LED bliká.	Teplota v pracovním prostředí je příliš vysoká nebo nízká.	Nabíječku baterií používejte při teplotě 5 °C až 40 °C.
Chybová kontrolka LED svítí.		Obrat'te se na schváleného servisního pracovníka.

Ovládací panel

V případě potíží, které nejsou v této části uvedeny, se obraťte na servisního pracovníka.

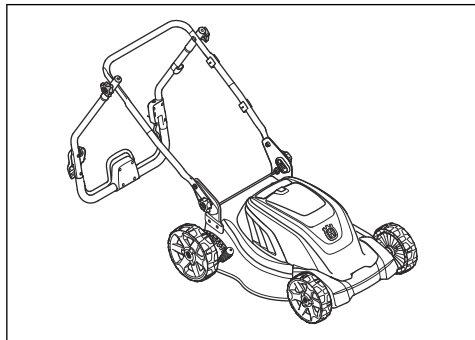
Klávesnice	Možné závady	Možná akce
Bliká chybová kontrolka LED	Motor je přehřátý	Zvyšte výšku sečení. Viz <i>Nastavení výšky sečení na strani 73</i> .
	Otáčky motoru klesnou příliš nízkou a motor se zastaví	
	Došlo k přehřátí ovládání motoru	Zastavte motor a počkejte, než vychladne.
	Nůž je zablokovaný	Neúmyslnému spuštění můžete zabránit tím, že otočíte bezpečnostní klíček do polohy 0, vyjmete baterii a počkáte alespoň 5 sekund. Zkontrolujte, zda se nůž může volně otáčet. Pokud potíže přetrvávají, obraťte se na autorizovaného servisního pracovníka.
	Chyba baterie nebo žádný signál z baterie	Vložte správně baterii do výrobku a zkontrolujte konektor baterie. Pokud kontrolka LED na baterii bliká, přečtěte si část <i>Baterie na strani 79</i> .
Výrobek se vypíná	Baterie je slabá	Nabijte baterii. Viz <i>Nabití baterie na strani 73</i> .
	Selhání konektoru baterie	Zkontrolujte konektor baterie.

Přeprava, skladování a likvidace

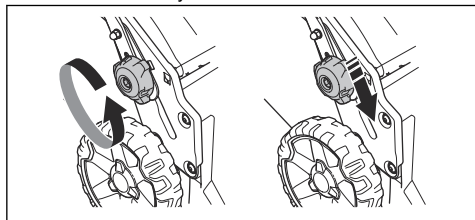
Nastavení produktu do přepravní polohy

1. Sundejte koš na trávu (je-li nainstalovaný).

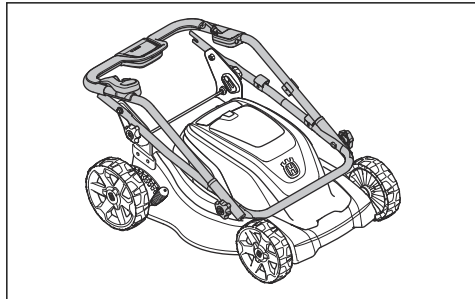
2. Povolte knoflíky na horní rukojeti a sklopte řídítka dolů.



3. Povolte spodní matice.
4. Posuňte knoflíky na spodní konec drážek na pravé i na levé straně výrobku.



5. Sklopte rukojeť dopředu.



Přeprava

- Na dodané Li-ion baterie se vztahují požadavky legislativy o nebezpečném zboží.
- Při komerční přepravě musí být dodrženy speciální požadavky na balení a označení.
- Při přípravě výrobku k přepravě nezapomeňte dbát předpisů pro nebezpečné materiály. Mohou platit místní předpisy.

- Při přepravě vždy vyjměte baterii.
- Přeplepte konektory baterie páskou a zajistěte, aby se baterie při přepravě nemohla pohybovat.
- Během přepravy výrobek zajistěte.

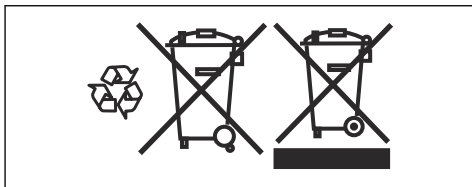
Skladování

- Při skladování baterii vždy vyjmějte.
- Abyste zabránili nehodám, zajistěte, aby při skladování nebyla baterie připojená k výrobku.
- Nabíječku baterií uchovávejte na uzavřeném a suchém místě.
- Baterii a nabíječku baterií uchovávejte na suchém místě, kde nehrozí vlhkost či mráz.
- Při skladování baterii odpojte od nabíječky baterií.
- Neskladujte baterii v místech, kde může docházet k výbojům statické elektřiny. Neskladujte baterii v kovovém obalu.
- Baterii uchovávejte na místě s teplotou mezi 5 °C a 25 °C a mimo dosah slunečních paprsků.
- Nabíječku baterií uchovávejte na místě s teplotou mezi 5 °C a 45 °C a mimo dosah slunečních paprsků.
- Ujistěte se, že je baterie před dlouhodobým uskladněním nabitá na 30 % až 50 %.
- Produkt, baterii a nabíječku baterií skladujte v uzamčeném prostoru mimo dosah dětí a nepovolaných osob.
- Před dlouhodobým skladováním výrobku jej vyčistěte a proveďte kompletní údržbu.

Likvidace

Symbols na produktu nebo jeho obalu označují, že tento výrobek nesmí být likvidován jako domácí odpad. Musí být odevzdán do příslušné recyklační stanice pro recyklaci elektrických a elektronických zařízení.

Zajištěním odpovídající likvidace tohoto výrobku pomůžete zabránit potenciálnímu negativnímu dopadu na životní prostředí a zdraví lidí, který by jinak mohl být důsledkem nesprávné likvidace tohoto výrobku. Podrobnější informace o recyklaci tohoto výrobku získáte na městském úřadě, u služby zajišťující zpracování domácího odpadu nebo v prodejně, kde jste výrobek zakoupili.



Technické údaje

Technické údaje LC 141iV, LC 141i

	LC 141iV	LC 141i
Motor Žacího systému		
Typ motoru	BLDC (bezkontaktní) 36V	BLDC (bezkontaktní) 36V
Otáčky motoru – SavE, ot/min	2700	2700
Otáčky motoru – jmenovité, ot/min	3100	3100
Otáčky motoru – vysoké zatížení, ot/min	3700	3700
Výkon motoru – max., kW	0,8	0,8
Výkon motoru – jmenovitý, kW	0,55	0,55
Hnač motor		
Výkon motoru – jmenovitý, kW	0,25	Není k dispozici
Rychlost vlastního pojezdu, km/h	3,0–4,5	Není k dispozici
Úrovně rychlosti	4	Není k dispozici
Hmotnost		
Hmotnost bez baterie, kg	21,5	18,6
Baterie ¹⁵		
Typ baterie	Řada baterií Husqvarna	Řada baterií Husqvarna
Doba provozu baterie		
Provozní doba baterie, min, (volný chod) s aktivovanou funkcí SavE, s jednou baterií Husqvarna 5,2 Ah (BLi200).	77	77
Provozní doba baterie, min, (volný chod) s aktivovaným standardním režimem, s jednou baterií Husqvarna 5,2 Ah (BLi200).	45	45
Emise hluku ¹⁶		
Hladina akustického výkonu, změřená dB (A)	88	88
Hladina akustického výkonu, zaručená L _{WA} dB (A)	89	89
Hladiny hluku ¹⁷		
Hladina akustického tlaku na sluch obsluhy, dB (A)	83	83
Úrovně vibrací ¹⁸		
Rukojeť, m/s ²	2,0	2,0
Sečení		

¹⁵ Pro dosažení nejlepších výsledků a výkonu se doporučuje použít baterii Husqvarna BLi200.

¹⁶ Emise hluku v životním prostředí měřené jako akustický výkon (L_{WA}) v souladu se směrnici 2000/14/EU.

¹⁷ Uváděná data pro hladinu tlaku zvuku mají typickou statistickou odchylku (standardní odchylku) 1,2 dB (A).

¹⁸ Uváděná data o úrovni vibrací mají typickou statistickou odchylku (standardní odchylku) 0,2 m/s².

	LC 141iV	LC 141i
Výška sečení, mm	25–70	25–70
Šířka sečení, cm	41	41
Nůž, objednací číslo	Sběr – 5011716-01	Sběr – 5011716-01
Objem sběracího koše, l	50	50

Schválené baterie	Značka	Typ	Kapacita baterie, Ah	Napětí, V	Hmotnost, lb/kg
BLi10	Husqvarna	Lithium-iontová	2,0	36	1,8/0,8
BLi100	Husqvarna	Lithium-iontová	2,6	36	1,9/0,8
BLi20	Husqvarna	Lithium-iontová	4,0	36	2,7/1,2
BLi200	Husqvarna	Lithium-iontová	5,2	36	2,8/1,3
BLi300	Husqvarna	Lithium-iontová	9,4	36	4,1/1,9

Schválené nabíječky pro uvedené baterie,	Značka	Vstupní napětí, V	Frekvence, Hz	Výkon, W
QC80	Husqvarna	100–240	50–60	80
QC80F	Husqvarna	12	0	80
QC250	Husqvarna	220–240	50	250
QC330	Husqvarna	100–240	50–60	330
QC500	Husqvarna	100–240	50–60	500

Technické údaje LC 141C

LC 141C	
Motor	
Typ motoru	Sériový motor na střídavý proud
Otáčky motoru – jmenovité, ot/min	3200
Výkon	1800 W
Zdroj napájení	Elektrický, kabelový
Napájecí kabel (pouze v případě trhu Velké Británie)	
Typ kabelu	16m prodlužovací kabel
Hmotnost, kg	1,6
Hmotnost	
Hmotnost, kg	20,4

	LC 141C
Emise hluku ¹⁹	
Hladina akustického výkonu, změřená dB (A)	93
Hladina akustického výkonu, zaručená L _{WA} dB (A)	95
Hladina hluku ²⁰	
Hladina akustického tlaku na sluch obsluhy, dB (A)	85
Úrovně vibrací ²¹	
Rukojeť, m/s ²	2,0
Řezání	
Výška sečení, mm	25–70
Šířka stříhu, cm	41
Nůž, objednací číslo	Sběrač 5011716-01
Objem sběracího koše, l	50

¹⁹ Emise hluku v životním prostředí měřené jako akustický výkon (L_{WA}) v souladu se směrnicí 2000/14/ES.

²⁰ Uváděná data pro hladinu tlaku zvuku mají typickou statistickou odchylku (standardní odchylku) 1,4 dB (A).

²¹ Uváděná data o úrovni vibrací mají typickou statistickou odchylku (standardní odchylku) 0,2 m/s².

ES Prohlášení o shodě

ES Prohlášení o shodě

Husqvarna AB, SE-561 82 Huskvarna, Švédsko, tel: +46-36-146500, prohlašuje, že **sekačky na trávu Husqvarna LC 141iV a LC 141i** s výrobním číslem 2018XXXXXXX a vyšším a **Husqvarna LC 141C** s výrobním číslem 2015XXXXXXX a vyšším splňují požadavky SMĚRNICE RADY:

- z 8. června 2011 o „omezení používání některých nebezpečných látek“ **2011/65/EU**
- ze 17. května 2006 „týkající se strojních zařízení“ **2006/42/EC**
- z 26. února 2014 „týkající se elektromagnetické kompatibility“ **2014/30/EU**,
- z 8. května 2000 „týkající se emisí hluku v okolním prostředí“ **2000/14/ES**.

Informace o emisích hluku najdete v kapitole „Technické údaje“.

Pro certifikaci modelu Husqvarna LC 141iV a LC 141i byly uplatněny následující normy: **IEC 60335-2-77:2002, IEC 60335-1:2010+A1:2013, EN 55014-1:2017, EN 55014-2:2015, EN 61000-3-2:2014, EN 61000-3-3:2013, EN 62233:2008**

Pro certifikaci modelu Husqvarna LC 141C byly uplatněny následující normy: **EN 60335-1:2012+A11:2014, EN 60335-2-77:2010, EN 62233:2008, EN 55014-1:2017+A11, EN 55014-2:2015, EN 61000-3-2:2019, EN 61000-3-11:2019**

Oznámený subjekt: **0404, RISE SMP Svensk Maskinprovning AB, Box 7035, SE-750 07 Uppsala** provedl vyhodnocení shody podle přílohy VI směrnice 2000/14/ES.

Huskvarna, 2020-10-13



Claes Losdal, Development Manager/Garden Products (ředitel vývoje zahradního sortimentu) (Autorizovaný zástupce společnosti Husqvarna AB a osoba odpovědná za technickou dokumentaci.)

Indhold

Indledning.....	86	Fejlfinding.....	106
Sikkerhed.....	89	Transport, opbevaring og bortskaffelse.....	108
Montering.....	97	Tekniske data.....	109
Drift.....	99	EU-overensstemmelseserklæring.....	112
Vedligeholdelse.....	104		

Indledning

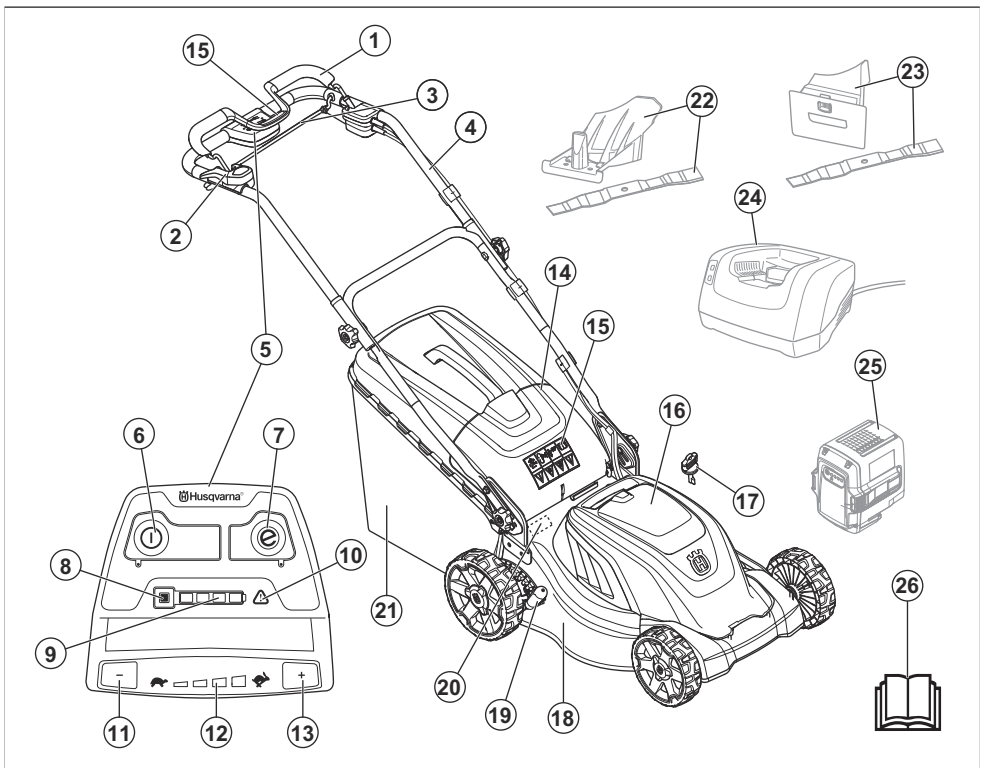
Produktbeskrivelse

Produktet er en roterende plæneklipper med gående fører. Græsset opsamles i en græsopsamler. Fjern græsopsamleren for at få bagudkast af græsset. Monter et bioklipsæt (ekstraudstyr), og klip græsset til gødning.

Anvendelsesformål

Brug produktet til at slå græs. Brug ikke produktet til andre opgaver.

Produktoversigt LC 141iV/LC 141i

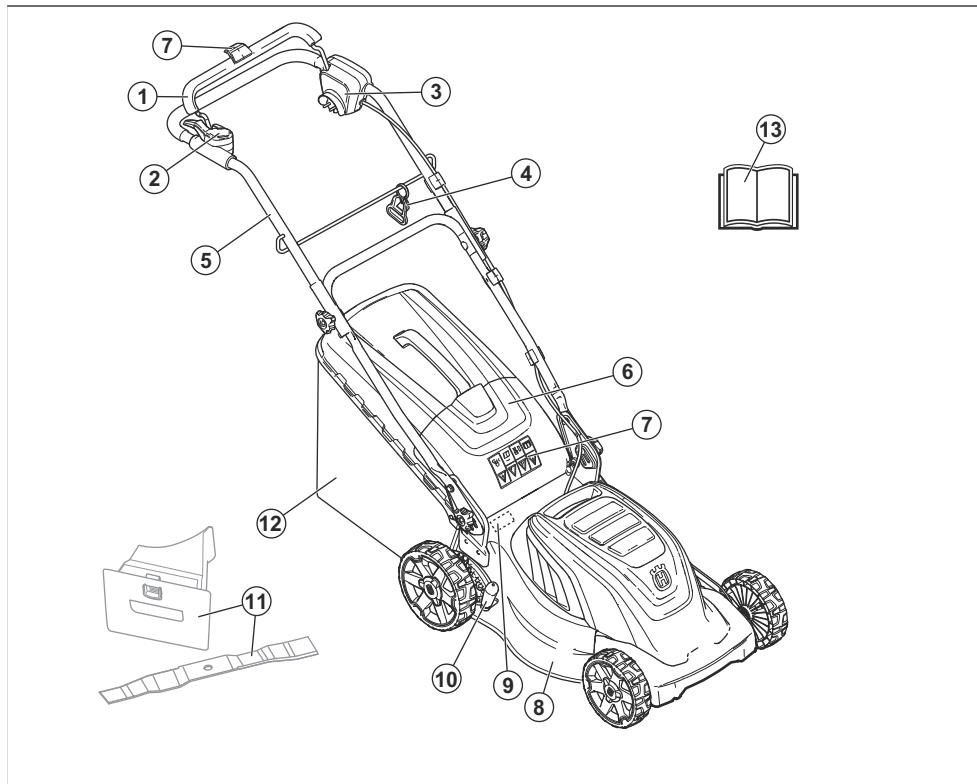


1. Motorbremsenhåndtag
2. Startspærre
3. Bøjle til fremtræk (LC 141iV)
4. Håndtag / styrestang
5. Betjeningspanel
6. ON/OFF-knap
7. SavE-knap
8. Batteriindikatorknop
9. Batteriopladningsindikator
10. Advarselsindikator (FEJL-LED)

- 11. Hastighedsreduktions-knap (LC 141iV)
- 12. Hastighedsniveauindikator (LC 141iV)
- 13. Hastighedsforøgelsesknop (LC 141iV)
- 14. Bageste dæksel
- 15. Symboler
- 16. Batterilåg
- 17. Sikkerhedsnøgle
- 18. Klippeskjold

- 19. Klippehøjdehandtag
- 20. Typeskilt
- 21. Græsopsamler
- 22. Bioklipsæt (tilbehør til LC 141iV)
- 23. Bioklipsæt (tilbehør til LC 141i)
- 24. Batterioplader (tilbehør)
- 25. Batteri (tilbehør)
- 26. Brugervejledning

Produktoversigt LC 141C



- 1. Motorbræmselandtag
- 2. Startspærre
- 3. Netledningstik
- 4. Netledningsholder
- 5. Håndtag / styrestang
- 6. Bageste dæksel
- 7. Symboler
- 8. Klippeskjold
- 9. Typeskilt
- 10. Klippehøjdehandtag
- 11. Findelerblænde (tilbehør)
- 12. Græsopsamler

- 13. Brugervejledning

Symboler på produktet



Personskade eller død kan forekomme hos brugeren eller personer i nærheden, hvis produktet ikke anvendes forsigtigt og korrekt.



Læs brugsanvisningen, og sørg for at have forstået indholdet, inden du bruger dette produkt.



Hold uvedkommende personer og dyr på sikker afstand af arbejdsstedet.



Pas på udslyngede genstande og rikochettering.



Advarsel: Hold hænder og fødder på sikker afstand af den roterende klinge.



Advarsel: Hold hænder og fødder på sikker afstand af bevægelige dele.



Tag sikkerhedsnøglen ud, før der foretages vedligeholdelse af produktet. (model LC 141iV/LC 141i)



Afbryd produktet fra stikkontakten, før du udfører vedligeholdelse på produktet. (model LC 141C)

IPX1

IPX1 - Produktet er beskyttet mod

dryppende vand (model LC 141iV/LC 141i)

IPX4

IPX4 - Produktet er beskyttet mod vandstænk (model LC 141C)



Lad ikke regn falde på produktet (model LC 141iV/LC 141i)



Advarsel: Kør ikke produktet hen over strømkablet, da dette kan medføre elektrisk stød eller beskadigelse af produktet. (model LC 141C)

CE

Dette produkt er i overensstemmelse med gældende CE-direktiv.



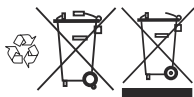
Støjemissioner til omgivelserne i henhold til EF-direktiv. Produktets emission fremgår af kapitlet Tekniske data og af mærkaten.



Jævnstrøm. 36 V



Dobbelt isolering.



Afløber produktet på en genbrugsstation for elektrisk og elektronisk udstyr. (Gælder kun Europa)



Startprocedure for model LC 141iV/ LC 141i: Tryk på ON/OFF-knappen, løsn startspærren, tryk motorbremsehåndtaget ned.



Startprocedure for model LC 141C: Løsn startspærren, tryk

motorbremsehåndtaget ned.



Slip motorbremsehåndtaget for at stoppe.



Langsomt



Hurtigt



Kode, der kan scannes

Bemærk: Andre symboler/mærkater på produktet henviser til certificeringskrav på visse markeder.

Produktansvar

Som nævnt i produktansvarsbestemmelserne hæfter vi ikke for skader forårsaget af vores produkt, hvis:

- produktet er forkert repareret.
- produktet er repareret med dele, der ikke er fra producenten eller ikke er godkendt af producenten
- produktet har tilbehør, der ikke er fra producenten eller ikke er godkendt af producenten.
- produktet ikke er repareret på et godkendt servicecenter eller af en godkendt myndighed.

Sikkerhed

Sikkerhedsdefinitioner

Advarsler, forholdsregler og bemærkninger bruges til at pege på særligt vigtige dele af brugsanvisningen.



ADVARSEL: Bruges, hvis føreren udsætter sig selv eller omkringstående personer for risiko for personskade eller dødsfald ved tilsidesættelse af instruktionerne i brugsanvisningen.



BEMÆRK: Bruges, hvis der er risiko for skader på produktet, andre materialer eller det omgivende område ved tilsidesættelse af instruktionerne i brugsanvisningen.

Bemærk: Bruges til at give yderligere oplysninger, der er nødvendige i en given situation.

Generelle sikkerhedsinstruktioner



ADVARSEL: Læs følgende advarselsinstruktioner, inden du bruger produktet.

- Dette produkt er farligt, hvis det bruges forkert, eller hvis du ikke er forsigtig. Personskade eller dødsfald kan forekomme, hvis du ikke overholder sikkerhedsinstruktionerne.
- Dette produkt danner et elektromagnetisk felt under drift. Dette felt kan i nogle tilfælde påvirke aktive eller passive medicinske implantater. For at reducere risikoen for alvorlige eller dødbringende kvæstelser anbefaler vi, at personer med medicinske implantater kontakter deres læge og producenten af det medicinske implantat, før de tager produktet i brug.
- Vær altid forsigtig, og brug din sunde fornuft. Hvis du ikke er sikker på, hvordan produktet betjenes en særlig situation: Stop, og kontakt Husqvarna forhandleren, inden du fortsætter.
- Vær opmærksom på, at føreren er ansvarlig for ulykker, der involverer andre personer eller disses ejendom.
- Hold produktet rent. Sørg for, at skilte og mærkater er tydeligt læsbare.
- Lad aldrig børn eller personer, der ikke kender apparatet, bruge det. Der kan være lokale regler, for hvor gammel brugeren skal være
- Hold altid øje med personer med nedsat fysisk eller mental kapacitet, der bruger produktet. En voksen skal være til stede hele tiden.
- Brug ikke produktet, hvis du er træt, syg eller påvirket af alkohol, narkotika eller medicin. Det har en negativ virkning på synet, overblikket, koordinationsevnen og dømmekraften.
- Brug ikke produktet, hvis det er fejlbehæftet.
- Foretag ikke ændringer på produktet, og undlad at bruge det, hvis der er risiko for, at det er blevet ændret af andre.

Sikkerhed i arbejdsområdet



ADVARSEL: Læs følgende advarselsinstruktioner, inden du bruger produktet.

- Fjern genstande såsom grene, kviste og sten fra arbejdsområdet, inden du bruger produktet.

- Genstande, som rammer skæreudstyret, kan udslynges og forårsage person- og tingskade. Hold omkringstående personer og dyr på sikker afstand af produktet.
- Undlad at bruge produktet i dårligt vejr, som f.eks. tåge, regn, hård vind, kraftig kulde og ved risiko for lynnedslag. Det kan være trættende at bruge produktet i dårligt vejr eller i fugtige eller våde områder. Dårligt vejr kan medføre farlige forhold, f.eks. glatte underlag.
- Pas på personer, genstande og situationer, som kan forhindre sikker brug af produktet.
- Pas på forhindringer som f.eks. rødder, sten, kviste, huller og grøfter. Langt græs kan skjule hindringer.
- Det kan være farligt at klippe græs på skrånninger. Slå ikke græsset på meget stejle skrånninger. Brug ikke produktet på skrånninger, der hælder mere end 15°.
- Udvis den yderste forsigtighed ved ændring af retning på skrånninger. Lad produktet køre på tværs af skrånninger. Kørl ikke op og ned.

- Vær forsigtig, når du nærmer dig uoverskuelige hjørner og genstande, som blokerer for udsynet.

Arbejdssikkerhed



ADVARSEL: Læs

følgende advarselsinstruktioner, inden du bruger produktet.

- Brug kun produktet til græsslåning. Det er ikke tilladt at bruge det til andre opgaver.
- Bær personligt beskyttelsesudstyr. Se *Personligt beskyttelsesudstyr på side 92*.
- Sørg for, at du ved, hvordan du standser motoren hurtigt i nødstilfælde.
- Betjen ikke produktet i regn eller våde omgivelser. Risikoen for elektriske stød øges, hvis der trænger vand ind i produktet.
- Betjen ikke produktet, medmindre klingens og alle afskærmninger er monteret korrekt. En forkert monteret klinge kan løsne sig og forårsage personskade.
- Sørg for, at klingens ikke rammer genstande som f.eks. sten og rødder. Det kan

- beskadige klingen og bøje motorakslen. En bøjet aksel giver kraftige vibrationer og stor risiko for, at kniven løsner sig.
- Hvis kniven rammer en genstand, eller der opstår vibrationer, skal du straks standse produktet. Stands motoren, drej sikkerhedsnøglen til 0, og fjern batteriet (model LC 141iV og LC 141i), eller frakobl strømkablet (model LC 141C). Undersøg, om produktet er blevet beskadiget. Reparer skader, eller lad et autoriseret serviceværksted udføre reparationen.
 - Fastgør aldrig motorbremsehåndtaget permanent på styret, når motoren er startet.
 - Anbring produktet på et stabilt, fladt underlag, og start det. Sørg for, at kniven ikke rammer jorden eller andre genstande.
 - Hold dig altid bag produktet, mens du betjener det.
 - Lad alle hjulene blive på jorden, og hold 2 hænder på styret, når du betjener produktet. Hold hænder og fødder på sikker afstand af de roterende klinger.
 - Tip ikke produktet, når motoren er startet.
 - Vær forsigtig, når du trækker produktet baglæns.
 - Løft aldrig produktet, når motoren er startet. Hvis du skal løfte produktet, skal du først stoppe motoren, dreje sikkerhedsnøglen til 0 og fjerne batteriet (model LC 141iV og LC 141i) eller frakoble strømkablet (model LC 141C).
 - Gå ikke baglæns, når du bruger produktet.
 - Stands motoren, når du bevæger dig hen over områder uden græs, f.eks. stier med grus, sten og asfalt.
 - Undlad at køre med produktet, når motoren er startet. Gå altid fremad, når du bruger produktet.
 - Stands motoren, inden du ændrer klippehøjden. Foretag aldrig justeringer, når motoren er startet.
 - Efterlad aldrig produktet uden opsyn, når motoren er startet. Stands motoren, og sørg for, at skæreudstyret ikke roterer.

Sikkerhedsinstruktioner for drift

Personligt beskyttelsesudstyr



ADVARSEL: Læs følgende advarselsinstruktioner,

inden du bruger produktet.

- Personligt beskyttelsesudstyr udelukker ikke fuldstændigt risikoen for personskader, men det mindsker graden af skaderne i tilfælde af, at der skulle ske en ulykke. Lad forhandleren hjælpe dig med at vælge det rigtige udstyr.
- Brug kraftige, skridsikre støvler eller sko. Brug ikke åbne sko, og gå heller ikke på bare fødder.
- Brug kraftige, lange bukser.
- Brug om nødvendigt beskyttelseshandsker, f.eks. ved montering, eftersyn eller rengøring af skæreudstyret.

Sikkerhedsanordninger på produktet



ADVARSEL: Læs følgende advarselsinstruktioner, inden du bruger produktet.

- Brug ikke et produkt med defekte sikkerhedsanordninger.
- Kontrollér sikkerhedsanordningerne regelmæssigt. Hvis sikkerhedsanordningerne er defekte, skal du henvende dig til dit Husqvarna-serviceværksted.

Sådan kontrolleres klippeskjoldet

Klippeskjoldet mindsker vibrationer i produktet og reducerer risikoen for skader fra klingens.

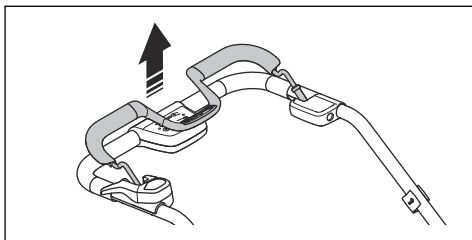
- Undersøg klippeskjoldet for at sikre, at der ikke er skader såsom revner.

Motorbremsehåndtag

Motorbremsehåndtaget standser motoren. Når motorbremsehåndtaget slippes, standser motoren.

Ved kontrol af motorbremsen startes motoren, hvorefter motorbremsehåndtaget slippes. Hvis motoren ikke

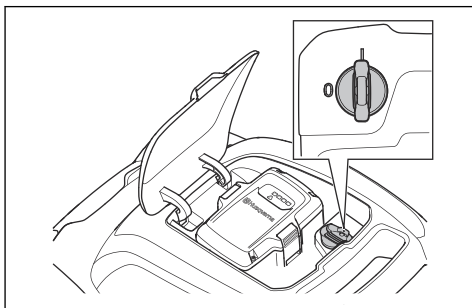
standser inden for 3 sekunder, skal et godkendt Husqvarna-serviceværksted justere motorbremsen.



Sikkerhedsnøgle (model LC 141iV og LC 141i)

Sikkerhedsnøglen er under batterilåget. Sikkerhedsnøglen forbinder det batteri, der forsyner motoren med strøm.

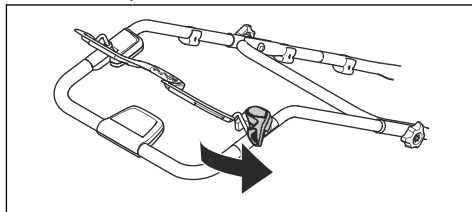
- Start og stop motoren for at kontrollere sikkerhedsnøglen.
- Hvis sikkerhedsnøglen fungerer korrekt, starter motoren kun, når nøglen er i position 1.



Sådan efterses startspærren

Eftersø startspærren for at sikre, at den forhindrer drift af motoren.

1. Skub bøjlen til fremtrækket i retning mod styret. Startspærren standser bevægelsen.
2. Skub startspærren ud.

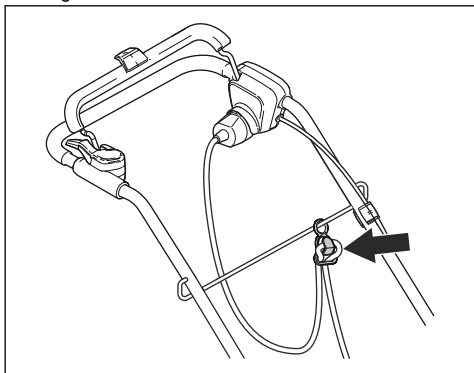


3. Slip startspærren, og sørg for, at den returnerer til udgangspositionen.

Sådan bruges netledningsholderen (model LC 141C)

Netledningsholderen reducerer belastningen på strømstikket og strømkablet. Netledningsholderen mindsker også risikoen for, at du falder.

1. Bøj strømkablet, så det danner en smal løkke.
2. Sæt løkken ind i hullet i netledningsholderen.
3. Sæt løkken rundt om krogen.
4. Træk i netledningen for at stramme løkken rundt om krogen.



Batterisikkerhed



ADVARSEL: Læs følgende advarselsinstruktioner, inden du bruger produktet.

- Brug kun genopladelige Husqvarna-batterier som strømforsyning til relaterede Husqvarna-produkter. For at undgå personskade, må batteriet ikke anvendes som strømforsyning til andre produkter.
- Undgå at bruge ikke-genopladelige batterier.
- Risiko for elektrisk stød. Tilslut ikke batteripolerne til nøgler, mønter, skruer eller andre metalgenstande. Dette kan medføre en kortslutning af batteriet.
- Sæt ikke genstande ind i batteriets luftspalte.
- Hold batteriet væk fra sollys, varme og åben ild. Batteriet kan eksplodere og medføre forbrændinger og/eller kemiske forbrændinger.
- Hold batteriet væk fra regn og våde omgivelser.
- Hold batteriet væk fra mikrobølger og højt tryk.
- Forsøg ikke at skille batteriet ad eller ødelægge det.
- Hvis batteriet lækker, skal du sørge for, at væsken ikke kommer i kontakt med hud eller øjne. Ved berøring af væsken skal området skylles med en stor mængde vand, og opsig derefter lægehjælp.
- Brug batteriet i temperaturer mellem -10°C og 40°C .
- Batteriet eller batteriopladeren må aldrig rengøres med vand. Se *Sådan rengøres batteriet og batteriopladeren på side 105*.
- Brug ikke et defekt eller beskadiget batteri.
- Opbevar batterierne væk fra metalgenstande som f.eks. søm, mønter og smykker.

Batteriopladersikkerhed



ADVARSEL: Læs følgende advarselsinstruktioner, inden du bruger produktet.

- Brug udelukkende QC-batteriopladerne til at oplade udskiftelige Husqvarna-batterier.
- Minimér risikoen for elektrisk stød eller kortslutning. Sæt ikke genstande ind i opladerens luftspalte. Forsøg aldrig at adskille batteriopladeren. Forbind ikke batteriopladerens poler med metalgenstande. Brug en godkendt stikkontakt.
- Dette produkt danner et elektromagnetisk felt under drift. Dette felt kan i nogle tilfælde påvirke aktive eller passive medicinske implantater. For at reducere risikoen for alvorlige eller dødbringende kvæstelser anbefaler vi, at personer med medicinske implantater kontakter deres læge og producenten af det medicinske implantat, før de tager produktet i brug.
- Undersøg regelmæssigt, at ledningen til batteriopladeren er intakt, og at der ikke er revner i den.
- Løft aldrig batteriopladeren ved hjælp af ledningen. Træk stikket ud for at afbryde batteriopladeren fra stikkontakten. Træk ikke i ledningen.
- Hold strømledningen og forlængerledninger væk fra vand, olie og skarpe kanter. Sørg for, at ledningen ikke bliver klemt i døre, hegn eller lignende. Det kan medføre, at opladeren bliver strømførende.
- Batteriopladeren må aldrig rengøres med vand.
- Batteriopladeren kan bruges af børn fra 8 år og opad samt af personer med nedsatte fysiske, følelsesmæssige eller mentale evner eller manglede erfaring og viden, hvis de er under opsyn eller har modtaget træning i brugen af batteriopladeren på en sikker måde og forstår farerne, der er forbundet med brugen. Børn må ikke lege med batteriopladeren. Rengøring og vedligeholdelse må ikke udføres af børn uden overvågning.

- Ikke-genopladelige batterier må ikke oplades i batteriopladeren.
- Brug ikke batteriopladeren i nærheden af brandfarlige materialer eller materialer, der kan medføre korrosion. Batteriopladeren må ikke tildækkes. I tilfælde af røgafgivelse eller brand skal batteriopladeren afbrydes fra stikkontakten.
- Brug ikke defekte eller beskadigede batteriopladere.
- Oplad kun batteriet indendørs i et rum med god ventilation og beskyttet mod direkte sollys. Oplad ikke batteriet under våde forhold.

Sikkerhed for netledning

Til model LC 141C.

- Det anbefales at bruge en fejlstrømsafbryder (Residual Current Device, RCD), der udløses ved en modstand på ikke over 30 mA. Selv om der er installeret en fejlstrømsafbryder, er sikkerheden ikke garanteret 100 %, og der skal altid anvendes sikre arbejdsprocedurer. Udfør en kontrol af fejlstrømsafbryderen hver gang den bruges.
 - Hvis netledningen overskæres eller isoleringen bliver
- beskadiget, skal apparatet kobles fra med det samme.
- Rør ikke en overskåret eller beskadiget netledning, før strømmen er koblet fra.
 - Reparer aldrig en overskåret eller beskadiget netledning. Udskift den med en ny.

Sikkerhedsinstruktioner for vedligeholdelse



ADVARSEL: Læs følgende advarselsinstruktioner, inden du bruger produktet.

- For model LC 141iV, LC 141i: For at undgå utilsigtet start i forbindelse med vedligeholdelse, skal du dreje sikkerhedsnøglen til 0 og fjerne batteriet. Vent i mindst 5 sekunder, før du påbegynder vedligeholdelse.
- For model LC 141C: For at forhindre utilsigtet start under vedligeholdelse skal strømkablet frakobles.
- Udfør vedligeholdelsesarbejde korrekt for at øge levetiden for produktet og mindske risikoen for ulykker. Lad et godkendt serviceværksted udføre professionelle reparationer. Kontakt dit nærmeste serviceværksted for at få flere oplysninger.
- Foretag kun den form for vedligeholdelsesarbejde, der

er angivet i denne brugsanvisning. Mere omfattende arbejde skal udføres af et godkendt serviceværksted.

- Ifør dig kraftige handsker, når du anvender skæreudstyret. Klingen er meget skarp, og du kan nemt komme til at skære dig.
- Hold klingerne skarpe og rene for at sikre den bedst mulige ydeevne.
- Lad jævnligt serviceværkstedet efterse produktet og foretage de

nødvendige justeringer og reparationer.

- Udskift beskadigede, slidte eller defekte dele.
- Følg vejledningen for, hvordan du udskifter tilbehør. Brug kun tilbehør fra producenten.
- Når de ikke er i drift, skal du holde produktet, batteriet og batteriopladeren adskilt et tørt, indendørs og aflåst sted. Sørg for, at børn og personer, som ikke er godkendt, ikke kan få adgang til produktet, batteriet eller batteriopladeren.

Montering

Indledning



ADVARSEL: Før du samler produktet, skal du læse sikkerhedskapitlet.

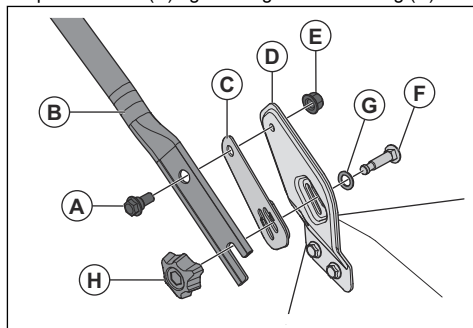


ADVARSEL: For model LC 141iV, LC 141i: For at undgå utilsigtet start under monteringen, skal du dreje sikkerhedsnøglen til 0, fjerne batteriet og vente i mindst 5 sekunder.

For model LC 141C: For at forhindre utilsigtet start under monteringen, skal du frakoble strømkalet.

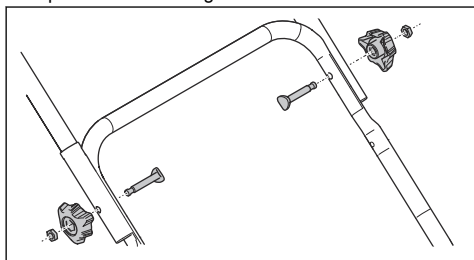
Sådan samles håndtaget

1. Skub skruen (A) gennem håndtaget (B), plastikskiven (C) og håndtagets støttebeslag (D).

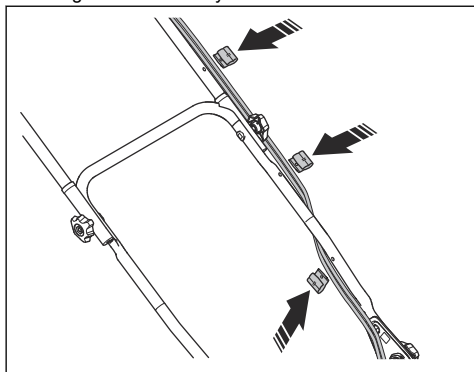


2. Spænd møtrikken (E) helt.
3. Skub skruen (F) gennem skiven (G) og håndtagets støttebeslag.
4. Spænd knappen (H) helt.

5. Juster hullerne på styret med hullerne i det nederste håndtag, og monter skruerne, skiver og knopper. Spænd skruelhåndtagene hårdt.

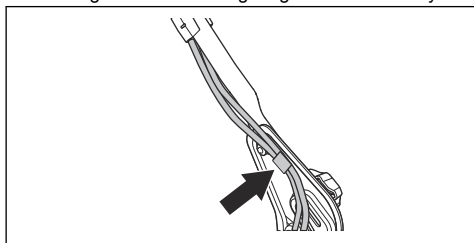


6. Fastgør kablerne til styret med kabelholderne.



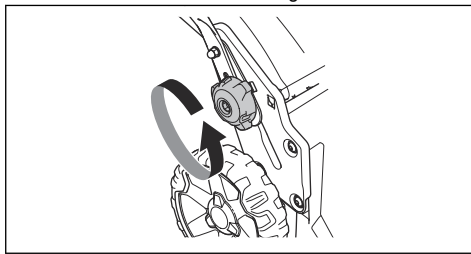
Bemærk: Sørg for, at opspændingen af kablerne ikke er for høj. For høj en spænding kan beskadige kablet, hvis håndtaget er foldet op i transportposition.

7. Anbring kablerne omkring krogen i bunden af styret.

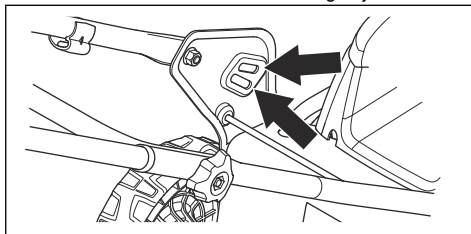


Sådan justeres håndtagets højde

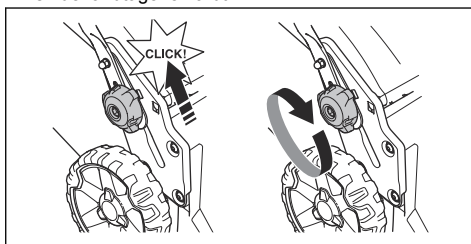
1. Løsn de nederste skruelhåndtag.



2. Fjern grebet, skiven og skruen på venstre og højre side.
3. Styret kan indstilles til 2 forskellige højder. Sæt skruen i et af de 2 huller i venstre og højre side.

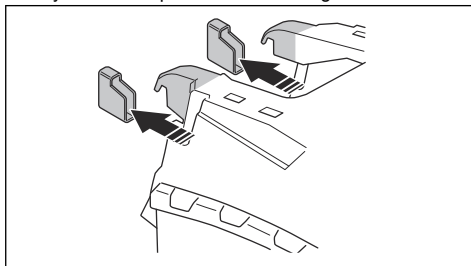


4. Fastgør skruer, skiver og skruelhåndtag.
5. Flyt grebene op i retning af håndtaget, indtil de stopper, og der høres et klik. Spænd skruelhåndtagene hårdt.

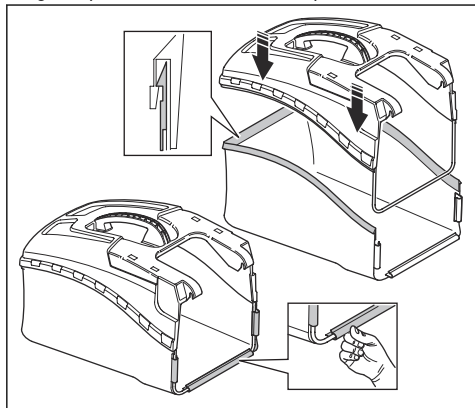


Sådan samles græsopsamleren

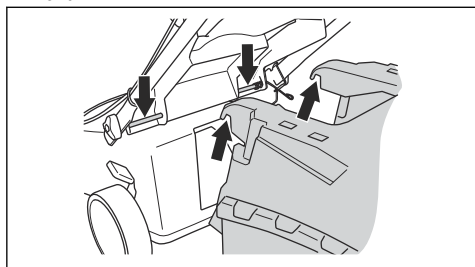
1. Tryk de 2 transportdæksler udad og nedad.



2. Fastgør græsopsamlerens øverste del til græsopsamlerens nederste del. Fastgør græsopsamlerens ramme med clipsene.

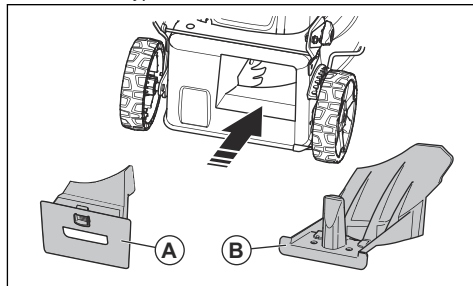


3. Løft det bageste dæksel.
4. Sæt græsopsamlerens kroge på chassisets øverste kant.



Sådan samles findelersættet

1. Løft det bageste dæksel, og fjern græsopsamleren.
2. Sæt findelerblænden i græsudkastkanalen. Findelerblænden for type A er til LC 141i og LC 141C. Type B er til LC 141iV.



3. Luk bagafdækningen.
4. Udskift kniven med combi-kniven, se *Sådan fjernes og udskiftes klingen på side 106*.

Drift

Indledning



ADVARSEL: Før du bruger produktet, skal du læse og forstå kapitlet om sikkerhed.

Husqvarna Connect

Husqvarna Connect er en gratis app til din mobile enhed. Appen Husqvarna Connect giver udvidede funktioner til dit Husqvarna produkt:

- Yderligere produktoplysninger.
- Oplysninger om, og hjælp til, dele og service.

Sådan kommer du i gang med at bruge Husqvarna Connect

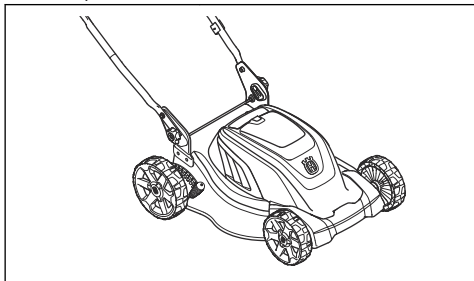
1. Download Husqvarna Connect appen på din mobile enhed.
2. Tilmeld dig i Husqvarna Connect appen.

3. Følg instruktionerne i Husqvarna Connect appen for at tilslutte og registrere produktet.

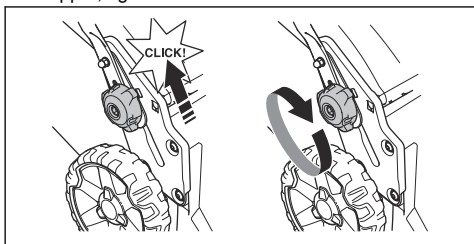
Sådan sættes produktet i driftsstilling

Hvis håndtaget er i transport- og opbevaringsposition (se *Sådan sættes produktet i transportposition på side 108*), skal nedenstående fremgangsmåde følges for at sætte håndtaget i driftsposition.

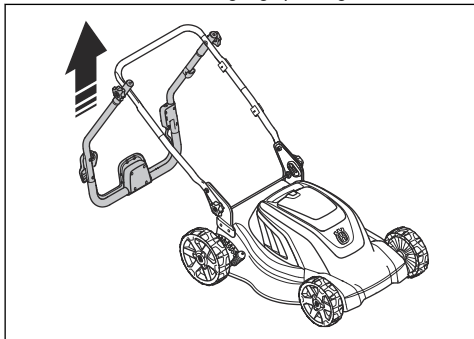
1. Løft håndtaget, indtil det nederste håndtag låses fast i driftsposition.



2. Flyt de nedre greb op i retning af håndtaget, indtil de stopper, og der høres et klik.



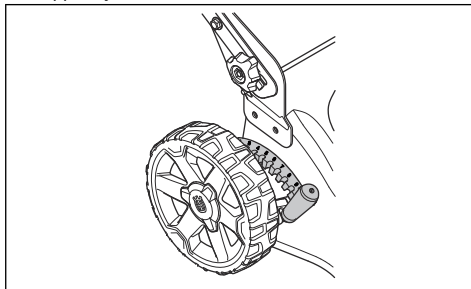
3. Spænd grebene.
4. Løft det øverste håndtag, og spænd grebene.



Sådan indstilles klippehøjden

1. Flyt klippehøjdehåndtaget bagud for at øge klippehøjden.

2. Flyt klippehøjdehåndtaget fremad for at mindske klippehøjden.



BEMÆRK: Indstil ikke klippehøjden for lavt. Knivene kan ramme jorden, hvis græsplænenes overflade ikke er jævn.

Batteri

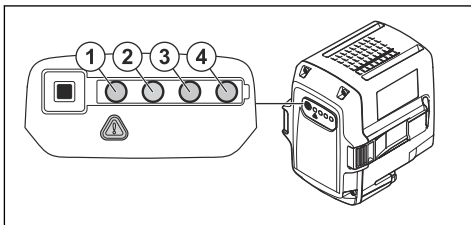


ADVARSEL: Inden brug af produktet skal du læse og sætte dig ind i kapitlet om sikkerhed. Du skal også læse og sætte dig ind i brugsanvisningen for batteriet og batteripladeren.

Batteristatus

Displayet viser batteriets resterende batterikapacitet, og om der er problemer med batteriet. Batterikapaciteten vises i 5 sekunder, efter at produktet er slukket, eller batteriindikatorknappen er trykket ned.

Advarselssymbolet på batteriet er tændt, når der er sket en fejl. Se *Batteri på side 106*.



LED-lys	Batteristatus
Alle LED'er er tændt	Fuldt opladet (75-100 %)
LED 1, LED 2 og LED 3 er tændt	Batteriet er opladet 50-75 %
LED 1 og LED 2 er tændt	Batteriet er opladet 25-50 %
LED 1 er tændt	Batteriet er opladet 0-25 %.
LED 1 blinker	Batteriet er afladet. Oplad batteriet.

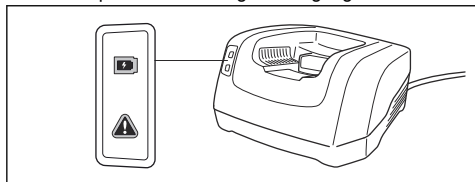
Sådan oplades batteriet

Oplad batteriet, inden første ibrugtagning. Batteriet er kun 30 % opladet, når det leveres til kunden.

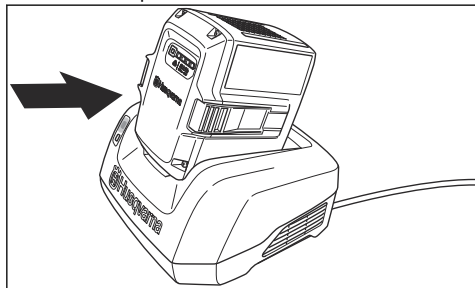
Bemærk: Batteriopladeren skal tilsluttes til den spænding og frekvens, der fremgår af typeskiltet.

Batteriet oplades ikke, hvis batteriets temperatur er over 50 °C. Batteriopladeren sænker batteriets temperatur, før det begynder at oplade.

1. Forbind den ene ende af ledningen til batteriopladeren til stikket på batteriopladeren.
2. Forbind den anden ende af ledningen til batteriopladeren til en jordet stikkontakt. LED'en på batteriopladeren blinker grønt én gang.



3. Isæt batteriet i batteriopladeren. Den grønne lampe på opladeren lyser, når batteriet er korrekt forbundet med batteriopladeren.



4. Når alle LED'erne på batteriet er tændt, er batteriet fuldt opladet. Oplad batteriet i maks. 24 timer.
5. For at afbryde batteriopladeren fra stikkontakten, skal du trække i stikket, ikke i ledningen.
6. Fjern batteriet fra batteriopladeren.

Batteriets ladestatus

Et Husqvarna-li-ion-batteri kan oplades eller bruges på alle opladningsniveauer. Batteriet er ikke beskadiget. Et fuldt opladet batteri vil ikke aflades, når batteriet efterlades i opladeren.

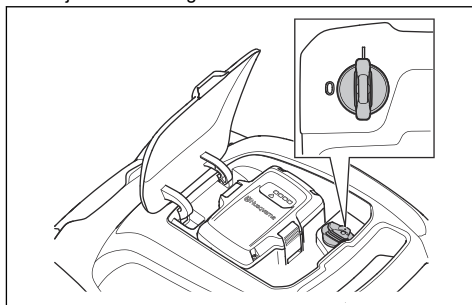
LED-display	Ladestatus
LED 1 blinker	0 %-25 %
LED 1 er tændt, LED 2 blinker	25 %-50 %

LED-display	Ladestatus
LED 1, LED 2 er tændt, LED 3 blinker	50 %-75 %
LED 1, LED 2, LED 3 er tændt, LED 4 blinker	75 %-100 %
LED 1, LED 2, LED 3, LED 4 er tændt	Fuldt opladet

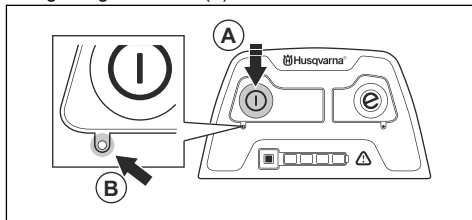
Sådan betjenes LC 141iV og LC 141i

Sådan startes produktet

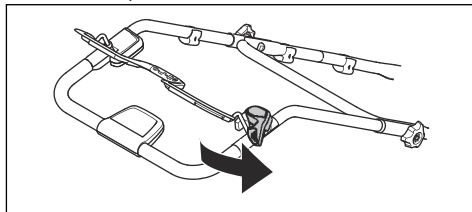
1. Isæt et opladet batteri i batterirummet.
2. Drej sikkerhedsnøglen til 1.



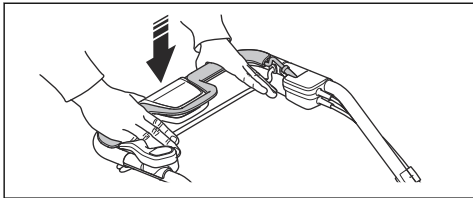
3. Stil dig bag produktet.
4. Tryk på ON/OFF-knappen (A) på betjeningspanelet, og den grønne LED (B) tænder.



5. Løsn startspærren.

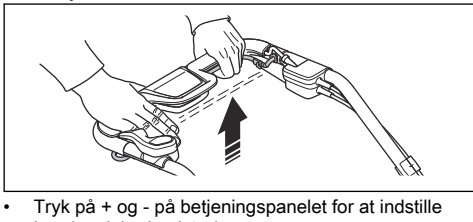


6. Skub bøjlen til fremtrækket i retning mod styret.

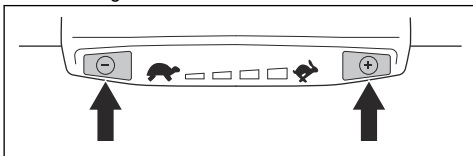


Sådan bruges hjulenes fremtræk

- Model LC 141iV. Træk bøjlen til fremtrækket i retning af styret for at starte drevet.



- Tryk på + og - på betjeningspanelet for at indstille kørehastigheden i 4 trin.

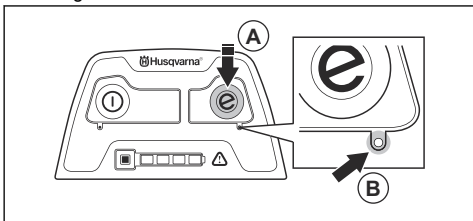


- Slip bøjlen til fremtrækket for at frakoble det, f.eks. når du nærmer dig en forhindring.

Sådan bruges SavE-funktionen

Produktet har en batterisparefunktion (SavE), der giver længere driftstid.

1. Tryk på SavE-knappen (A) for at starte funktionen. Den grønne LED tænder.



2. Tryk på SavE-knappen igen for at standse funktionen. Den grønne LED slukker.

SavE-funktionen standser automatisk, hvis terræforholdene gør det nødvendigt at have en højere effekt. SavE-funktionen starter automatisk, når terræforholdene gør det muligt.

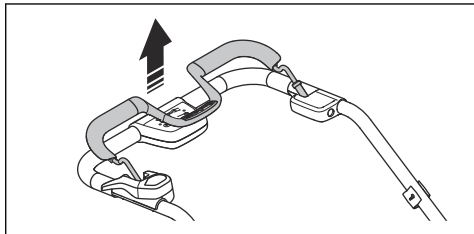
Høj belastningsfunktion

Når produktet klipper langt eller vådt græs, øger motoren automatisk o/min. Motoren skifter tilbage til standardtilstand, når høj belastning ikke er nødvendigt.

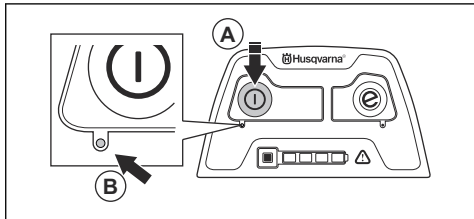
Sådan standses produktet

Produktet standser automatisk, hvis du ikke betjener det i 10 minutter. Drej altid sikkerhedsnøglen til 0, før du efterlader produktet uden opsyn.

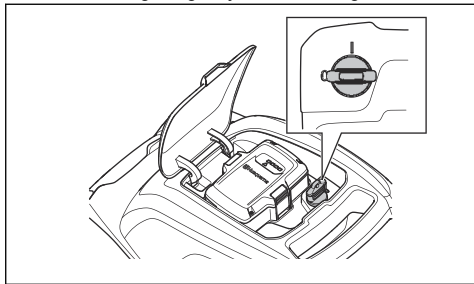
1. Slip motorbremsehåndtaget for at standse motoren.



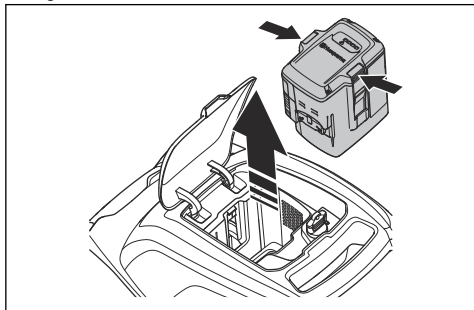
2. Tryk på ON/OFF-knappen (A) på betjeningspanelet, og den grønne LED (B) slukkes.



3. Åbn batterilåget, og drej sikkerhedsnøglen til 0.



4. Fjern batteriet ved at trykke på de 2 udløserknapper og trække batteriet ud.



5. Oplad batteriet, hvis det er svagt. Se *Sådan oplades batteriet på side 101* for yderligere information.

Sådan betjenes LC 141C

Sådan vælges et godkendt kabel (LC 141C)

Bemærk: Til det britiske marked må der kun anvendes det medfølgende 16M-forlænger-kabel. Se nedenstående information for alle andre markeder.

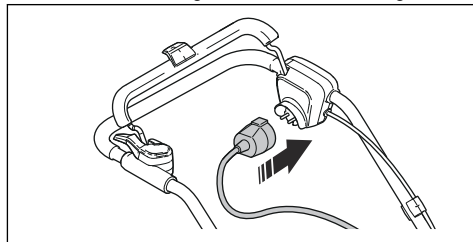
Hvis der anvendes forlængerledninger, skal disse opfylde minimumskravene til tværsnit i tabellen nedenfor:

Spænding	Kabellængde	Tværsnit
220-240 V / 50 Hz	Op til 20 m	1,5 mm ²
220-240 V / 50 Hz	20-50 m	2,5 mm ²

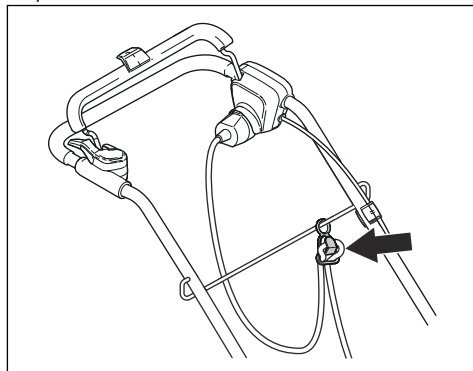
- Netledninger og forlængerledninger fås hos det lokale godkendte serviceværksted for Husqvarna udendørs produkter.
- Brug kun forlængerledninger, der er specifikt beregnet til udendørsbrug, og som opfylder en af følgende specifikationer: Almindeligt gummi (60245 IEC 53), almindeligt PVC (60227 IEC 53) eller almindeligt PCP (60245 IEC 57)
- Hvis ledningen er beskadiget, skal den udskiftes af producenten, dennes serviceværksted eller tilsvarende kvalificerede fagfolk for at undgå enhver risiko.

Sådan startes produktet

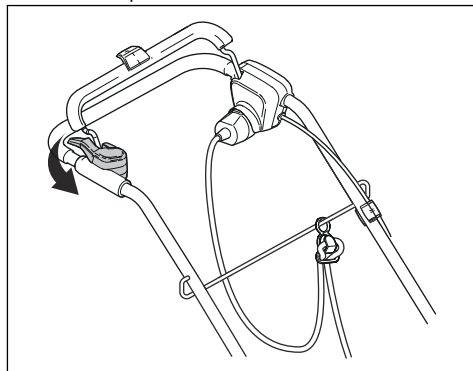
1. Tilslut en netledning til stikket under håndtaget.



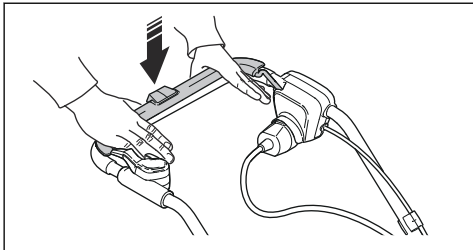
2. Anbring netledningen i netledningsholderen. Se *Sådan bruges netledningsholderen (model LC 141C) på side 94*.



3. Stil dig bag produktet.
4. Løsn startspærren.

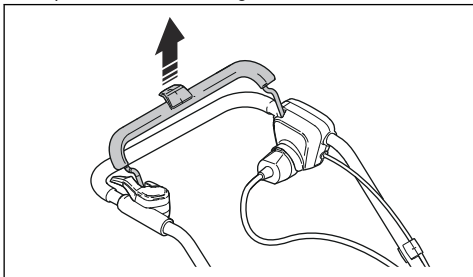


5. Skub bøjen til fremtrækket i retning mod styret.

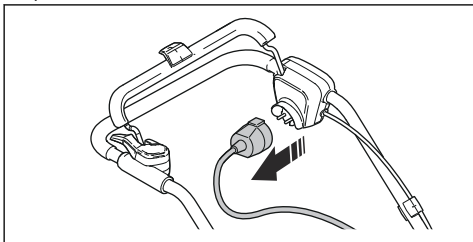


Sådan standses produktet

1. Slip motorbremsehåndtaget for at standse motoren.



2. Frakobl strømkablet fra stikkontakten, og derefter fra produktet.



BEMÆRK: Træk stikket lige ud.
Træk ikke i ledningen.

Sådan opnår du et godt resultat

- Sørg altid for, at klingen er skarp. En sløv klinge giver et uregelmæssigt resultat, og græssets snitflade bliver gul. En skarp klinge bruger desuden mindre energi end en sløv klinge.
- Klip aldrig mere end $\frac{1}{3}$ af græssets længde. Klip først med klippehøjden indstillet højt. Efterse resultatet, og sænk derefter klippehøjden til det ønskede niveau. Hvis græsset er meget højt, skal du køre langsomt og om nødvendigt klippe 2 gange.
- Klip i forskellige retninger hver gang for at undgå striber i græsplænen.

Vedligeholdelse

Indledning



ADVARSEL: Inden der foretages vedligeholdelse, skal du læse og forstå kapitlet om sikkerhed.

Alt service- og reparationsarbejde på produktet kræver specialuddannelse. Vi garanterer faglig korrekt reparation og service. Hvis forhandleren ikke er et

serviceværksted, kan vedkommende oplyse om nærmeste serviceværksted.

Vedligeholdelsesskema

Vedligeholdelsesintervallerne er fastlagt baseret på daglig brug af produktet. Intervallerne ændres, hvis produktet ikke bruges dagligt.

For vedligeholdelse identificeret med * henvises til *Sikkerhedsanordninger på produktet på side 93.*

LC 141IV, LC 141i og LC 141C	Hver brug	Månedligt	Hver sæson
Foretag et generelt eftersyn.	X		
Rengør produktet.	X		

LC 141iV, LC 141i og LC 141C	Hver brug	Månedligt	Hver sæson
Kontrollér startspærren*.	X		
Sørg for, at sikkerhedsanordningerne på produktet ikke er defekte*.	X		
Efterse skæreudstyret.	X		
Efterse klippeskjoldet*.	X		
Kontrollér motorbremsehåndtaget*.	X		

Kun LC 141iV og LC 141i	Hver brug	Månedligt	Hver sæson
Sørg for, at ON/OFF-knappen fungerer korrekt og ikke er defekt.	X		
Efterse batteriet for skader.	X		
Kontrollér batteriopladeren.	X		
Sørg for, at udløserknapperne på batteriet fungerer korrekt, og at batteriet låses på plads i produktet.	X		
Efterse batteriopladeren for skader, og sørg for, at den fungerer korrekt.		X	
Efterse forbindelserne mellem batteriet og produktet. Efterse også forbindelsen mellem batteriet og batteriopladeren.			X

Sådan udføres et generelt eftersyn

- Sørg for, at møtrikker og skruer på produktet er spændt.
- Sørg for, at ledningerne på produktet ikke er placeret på en måde, så de kan blive beskadiget.

Sådan rengøres produktet

- Rengør plasticdele med en ren og tør klud.
- Brug ikke vand til rengøring af produktet. Vand kan trænge ind i batteriet eller motoren og forårsage kortslutning eller beskadigelse af produktet.
- Brug ikke en højtryksrenser til at rengøre produktet.
- Sprøjt aldrig vand direkte på motoren.
- Brug en børste til at fjerne blade, græs og snavs.

Sådan rengøres batteriet og batteriopladeren



BEMÆRK: Batteriet eller batteriopladeren må aldrig rengøres med vand.

- Sørg for, at batteriet og opladeren er rene og tørre, før du sætter batteriet i batteriopladeren.
- Rengør batteriets poler med trykluft eller med en blød og tør klud.

- Rens overfladerne på batteriet og batteriopladeren med en blød og tør klud.

Sådan efterses skæreudstyret



ADVARSEL: For modeller LC 141iV og LC 141i: For at undgå utilsigtet start, skal du dreje sikkerhedsnøglen til 0, fjerne batteriet og vente i mindst 5 sekunder.

For model LC 141C: For at forhindre utilsigtet start, skal du frakoble strømkabel.



ADVARSEL: Brug handsker, når du udfører vedligeholdelse på skæreudstyret. Klingen er meget skarp, og du kan nemt komme til at skære dig.

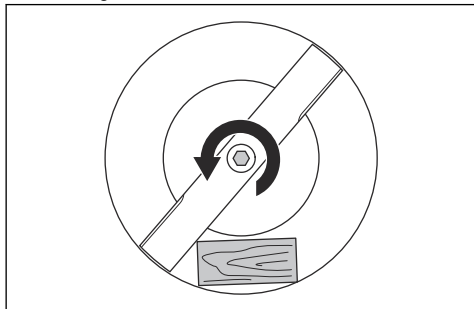
1. Efterse skæreudstyret for skader eller revner. Udskift altid skæreudstyret, hvis det er beskadiget.
2. Kig på klingen for at se, om den er beskadiget eller sløv.

Bemærk: Kniven skal afbalanceres, efter den er blevet slebet. Lad et servicecenter skærpe, udskift og afbalancere klingen. Hvis du rammer en forhindring, der får produktet til at standse, udskiftes den beskadigede

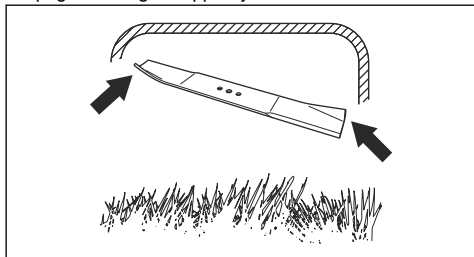
Klinge. Lad servicecenteret vurdere, om klingen kan files, eller om den skal udskiftes.

Sådan fjernes og udskiftes klingen

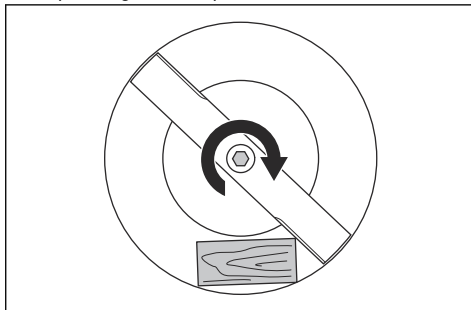
1. Lås klingen med en træklods.



2. Fjern klingeboltten.
3. Afmonter klingen.
4. Efterse klingeophæng og klingebolt for at se, om der er skader.
5. Efterse motorakslen for at sikre, at den ikke er bøjet.
6. Når du sætter den nye klinge på, skal klingens ender pege i retning af klippeskjoldet.



7. Sørg for, at klingen flugter med motorakslens centrum.
8. Lås klingen med en træklods. Monter fjederskiven, og spænd boltten og skiven med et tilspændingsmoment på 20 Nm.



9. Træk klingen rundt pr. håndkraft, og kontrollér, at den drejer frit.



ADVARSEL: Brug sikkerhedshandsker. Klingen er meget skarp, og du kan nemt komme til at skære dig.

10. Start produktet for at afprøve klingen. Hvis skiven ikke er korrekt fastgjort, forekommer der vibrationer i produkt, eller klipperesultatet bliver utilfredsstillende.

Fejlfinding

Batteri

LED på batteriet	Årsag	Løsning
Den grønne LED blinker.	Batterispændingen er lav.	Oplad batteriet. Se <i>Sådan oplades batteriet på side 101</i> .

LED på batteriet	Årsag	Løsning
Fejl-LED'en blinker.	Batteriet er svagt.	Oplad batteriet. Se <i>Sådan oplades batteriet på side 101</i> .
	Temperaturen i arbejdsmiljøet er for høj eller for lav.	Brug batteriet i temperaturer mellem -10 °C og 40 °C.
	Overspænding.	Sørg for, at netspændingen er den samme som på typeskiltet på produktet. Fjern batteriet fra batteriopladeren. Vent 5 sekunder, og prøv igen for at oplade batteriet. Hvis problemet fortsætter, skal du kontakte et autoriseret serviceværksted.
Fejl-LED'en er tændt.	Celleforskellen er for stor (1 V).	Kontakt et godkendt serviceværksted.

Batterioplader

LED på batteriopladeren.	Årsag	Løsning
Fejl-LED'en blinker.	Temperaturen i arbejdsmiljøet er for høj eller for lav.	Brug batteriopladeren i temperaturer mellem 5 °C og 40 °C.
Fejl-LED'en er tændt.		Kontakt et godkendt serviceværksted.

Betjeningspanel

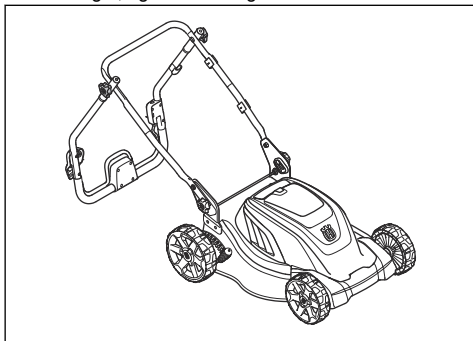
Kontakt dit serviceværksted ved problemer, der ikke er omfattet af dette afsnit.

Tastatur	Mulige fejl	Mulig løsning
Fejl-LED blinker	Motoren er overbelastet	Øg klippehøjden. Se <i>Sådan indstilles klippehøjden på side 100</i> .
	Motoromdrejningstallet falder for meget, og motoren standser	
	Kontrolenheden til motoren er for varm	Stands motoren, og vent, indtil den er blevet kold
	Klingen er blokeret	For at undgå utilsigtet start, skal du dreje sikkerhedsnøglen til 0, fjerne batteriet og vente i mindst 5 sekunder. Kontrollér, at klingen kan rotere frit. Hvis problemet fortsætter, skal du kontakte et autoriseret serviceværksted
	Batterifejl eller intet signal fra batteri	Isæt batteriet korrekt i produktet, og efterse batteristikket. Se <i>Batteri på side 106</i> , hvis fejl-LED'en på batteriet blinker.
Produktet standser	Batteriet er svagt	Oplad batteriet. Se <i>Sådan oplades batteriet på side 101</i> .
	Fejl ved batteristik	Efterse batteristikket

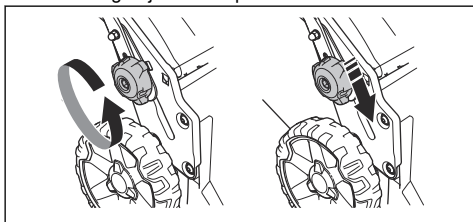
Transport, opbevaring og bortskaffelse

Sådan sættes produktet i transportposition

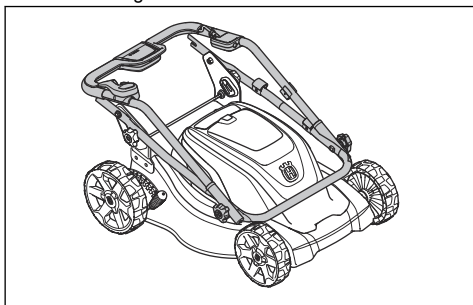
1. Fjern græsopsamleren (hvis monteret).
2. Løsn skruelhåndtagene på den øverste del af håndtaget, og fold håndtaget nedad.



3. Løsn de nederste skruelhåndtag.
4. Flyt grebene til den nederste ende af rillerne på venstre og højre side af produktet.



5. Fold håndtaget fremad.



Transport

- Lovkravene om farligt gods gælder for de indeholdte li-ion-batterier.
- Ved kommerciel transport skal særlige krav vedrørende emballering og mærkning overholdes.

- Sørg for at overholde bestemmelserne for farligt materiale, når du klargør produktet til transport. Lokale bestemmelser kan være gældende.
- Fjern altid batteriet ved transport.
- Sæt tape på batteristikkene, og sørg for, at batteriet ikke kan rykke sig under transporten.
- Fastspænd produktet under transport.

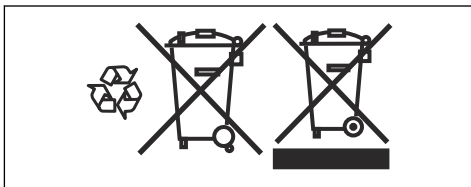
Opbevaring

- Fjern altid batteriet ved opbevaring.
- For at forhindre ulykker, skal du sørge for, at batteriet ikke er tilsluttet produktet under opbevaring.
- Opbevar batteriopladeren et lukket og tørt sted.
- Opbevar batteriet og batteriopladeren et tørt sted, hvor der ikke er fugt eller frost.
- Afbryd forbindelsen mellem batteriet og batteriopladeren under opbevaring.
- Batteriet må ikke opbevares, hvor der kan forekomme statisk elektricitet. Opbevar ikke batteriet i en metalkasse.
- Opbevar batteriet ved temperaturer mellem 5 °C og 25 °C og væk fra sollys.
- Opbevar batteriopladerne ved temperaturer mellem 5 °C og 45°C og væk fra sollys.
- Sørg for, at batteriet er ladet op til 30 % - 50 %, før du sætter det til opbevaring i længere tid.
- Opbevar produktet, batteriet og batteriopladeren et låst sted, der er utilgængeligt for børn og ikke-godkendte personer.
- Rengør produktet, og udfør fuld service, før du sætter produktet til opbevaring i længere tid.

Bortskaffelse

Symbolerne på produktet eller emballagen angiver, at produktet ikke må behandles som almindeligt husholdningsaffald. Det skal afleveres til en passende genbrugsstation med henblik på genvinding af elektrisk og elektronisk udstyr.

Hvis du sørger for, at dette produkt håndteres korrekt, kan du være med til at modvirke potentielle negative indvirkninger på mennesker og miljø, som ellers kan være et resultat af fejlagtig affaldshåndtering i forbindelse med dette produkt. Nærmere oplysninger om genanvendelse af dette produkt fås hos kommunen, det lokale renovationskøbskab eller forretningen, hvor produktet er købt.



Tekniske data

Tekniske data LC 141iV, LC 141i

	LC 141iV	LC 141i
Klippemotor		
Motorstype	BLDC (børsteløs) 36 V	BLDC (børsteløs) 36 V
Motoromdrejningstal - SavE, o/min.	2700	2700
Motoromdrejningstal - nominelt, o/min.	3100	3100
Motoromdrejningstal - høj belastning, o/min.	3700	3700
Motoreffekt - maks. kW	0,8	0,8
Motoreffekt - nominel, kW	0,55	0,55
Køremotor		
Motoreffekt - nominel, kW	0,25	NA
Selvkørende hastighed, km/t	3,0-4,5	NA
Justering af hastighedsniveauer	4	NA
Vægt		
Vægt uden batteri, kg	21,5	18,6
Batteri ²²		
Batteritype	Husqvarna Batteriserie	Husqvarna Batteriserie
Batteriets driftstid		
Batteriets driftstid, min. (friløb) med SavE aktiveret, med et 5,2 Ah Husqvarna-batteri (BLi200).	77	77
Batteriets driftstid, min. (friløb) med standardtilstand aktiveret, med et 5,2 Ah Husqvarna-batteri (BLi200).	45	45
Støjemissioner ²³		
Lydeffektniveau, målt dB (A)	88	88
Lydeffektniveau, garanteret L _{WA} dB (A)	89	89
Lydniveauer ²⁴		
Lydtryksniveau ved brugerens øre, dB (A)	83	83
Vibrationsniveauer ²⁵		
Styr, m/s ²	2,0	2,0
Plæneklipping		
Klippehøjde, mm	25-70	25-70

²² For de bedste resultater og ydelse anbefales Husqvarna-batteriet BLi200.

²³ Emission af støj til omgivelserne målt som lydeffekt (L_{WA}) i henhold til EF-direktiv 2000/14/EF.

²⁴ Rapporterede data for lydtryksniveau har en typisk statistisk spredning (standardafvigelse) på 1,2 dB (A).

²⁵ Rapporterede data for vibrationsniveau har en typisk statistisk spredning (standardafvigelse) på 0,2 m/s².

	LC 141IV	LC 141i
Klippebredde, cm	41	41
Kniv, varenummer	Opsamling - 5011716-01	Opsamling - 5011716-01
Opsamlerkapacitet, liter	50	50

Godkendte batterier	Varemærke	Type	Batterikapacitet, Ah	Spænding, V	Vægt, lb/kg
BLi10	Husqvarna	Lithiumion	2,0	36	1,8/0,8
BLi100	Husqvarna	Lithiumion	2,6	36	1,9/0,8
BLi20	Husqvarna	Lithiumion	4,0	36	2,7/1,2
BLi200	Husqvarna	Lithiumion	5,2	36	2.8/1.3
BLi300	Husqvarna	Lithiumion	9,4	36	4,1/1,9

Godkendte opladere til de angivne batterier,	Varemærke	Indgangsspænding, V	Frekvens, Hz	Effekt, watt
QC80	Husqvarna	100-240	50-60	80
QC80F	Husqvarna	12	0	80
QC250	Husqvarna	220-240	50	250
QC330	Husqvarna	100-240	50-60	330
QC500	Husqvarna	100-240	50-60	500

Tekniske data LC 141C

	LC 141C
Motor	
Motorstype	Serie-AC-motor
Motoromdrejningstal - nominelt, o/min.	3200
Effekt	1800 W
Strømkilde	Kablet elektrisk
Netledning (medfølger kun til det britiske marked)	
Kabeltype	16M-forlængerledning
Vægt, kg	1,6
Vægt	
Vægt, kg	20,4

	LC 141C
Støjemissioner ²⁶	
Lydeffektniveau, målt dB (A)	93
Lydeffektniveau, garanteret L _{WA} dB (A)	95
Lydniveauer ²⁷	
Lydtryksniveau ved brugerens øre, dB (A)	85
Vibrationsniveauer ²⁸	
Håndtag, m/s ²	2,0
Plæneklipning	
Klippehøjde, mm	25-70
Klippebredde, cm	41
Kniv, varenummer	Opsamling 5011716-01
Opsamlerkapacitet, liter	50

²⁶ Emission af støj til omgivelserne målt som lydeffekt (L_{WA}) i henhold til EF-direktiv 2000/14/EF.

²⁷ Rapporterede data for lydtrykniveau har en typisk statistisk spredning (standardafvigelse) på 1,4 dB (A).

²⁸ Rapporterede data for vibrationsniveau har en typisk statistisk spredning (standardafvigelse) på 0,2 m/s².

EU-overensstemmelseserklæring

EU-overensstemmelseserklæring

Husqvarna AB, SE-561 82 Huskvarna, Sverige, tlf.: +46-36-146500 erklærer, at **plæneklipperne Husqvarna LC 141iV og LC 141i** fra serienummer 2018XXXXXXX og fremad og **Husqvarna LC 141C** fra serienummer 2015XXXXXXX overholder forskrifterne i RÅDETS DIREKTIV:

- af 8. juni 2011 angående "begrænsning af anvendelsen af visse farlige stoffer" **2011/65/EU**
- af den 17. maj 2006 "angående maskiner" **2006/42/EF**
- af den 26. februar 2014 "angående elektromagnetisk kompatibilitet" **2014/30/EU**
- af den 8. maj 2000 "angående emission af støj til omgivelserne" **2000/14/EF**

Vedr. oplysninger om støjafgivelse: Se afsnittet om tekniske specifikationer.

Der er anvendt følgende standarder for certificering af Husqvarna, LC 141iV og LC 141i: **IEC 60335-2-77:2002, IEC 60335-1:2010+A1:2013, EN 55014-1:2017, EN 55014-2:2015, EN 61000-3-2:2014, EN 61000-3-3:2013, EN 62233:2008**

Der er anvendt følgende standarder for certificering af Husqvarna LC 141C: **EN 60335-1:2012+A11:2014, EN 60335-2-77:2010, EN 62233:2008, EN 55014-1:2017+A11, EN 55014-2:2015, EN 61000-3-2:2019, EN 61000-3-11:2019**

Udpeget organ: **0404, RISE SMP Svensk Maskinprovning AB, Box 7035, SE-750 07 Uppsala** Har udført overensstemmelsesvurdering i henhold til Bilag VI i direktiv 2000/14/EF.

Huskvarna, 2020-10-13



Claes Losdal, udviklingschef/haveprodukter (autoriseret repræsentant for Husqvarna AB og ansvarlig for teknisk dokumentation)

Inhalt

Einleitung.....	113	Fehlerbehebung.....	135
Sicherheit.....	116	Transport, Lagerung und Entsorgung.....	137
Montage.....	126	Technische Angaben.....	138
Betrieb.....	128	EU-Konformitätserklärung.....	141
Wartung.....	133		

Einleitung

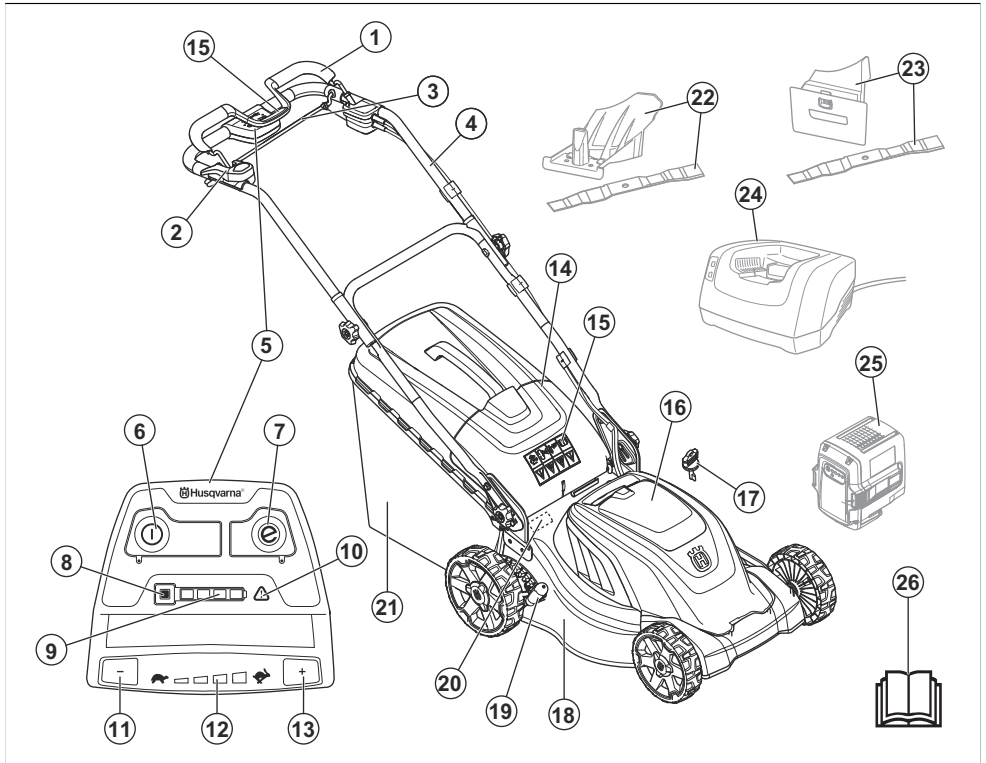
Produktbeschreibung

Das Produkt ist ein handgeführter Rasenmäher. Das Gras wird in einem Grasfänger gesammelt. Entfernen Sie den Grasfänger, um an den Heckauswurf des Grases zu gelangen. Befestigen Sie ein Mulch-Kit (Zubehör), um das Gras in Dünger zu schneiden.

Verwendungszweck

Verwenden Sie das Gerät zum Schneiden von Gras.
Verwenden Sie das Gerät nicht für andere Aufgaben.

Geräteübersicht LC 141iV/LC 141i

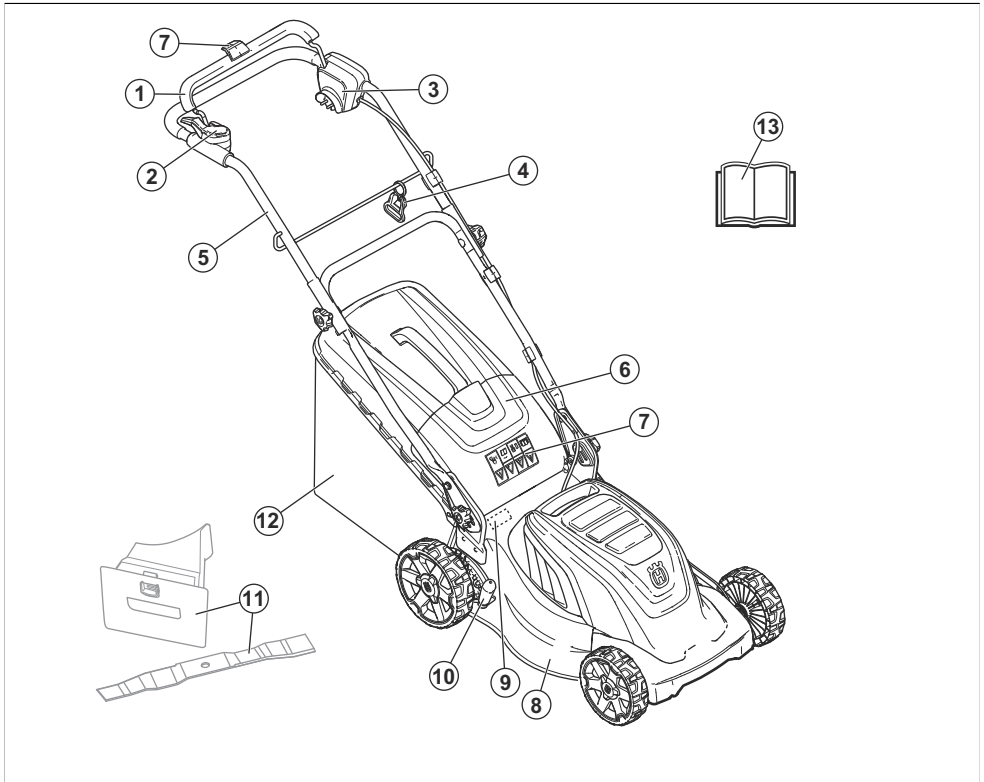


- | | |
|-----------------------------|----------------------------------|
| 1. Motorbremsbügel | 5. Bedienfeld |
| 2. Startsperr | 6. ON/OFF-TASTE |
| 3. Antriebsgriff (LC 141iV) | 7. SavE-Taste (Energiespartaste) |
| 4. Griff/Lenker | 8. Akkuanzeigtaste |

- 9. Akkuladestandsanzeige
- 10. Warnanzeige (FEHLER-LED)
- 11. Taste Drehzahl verringern (LC 141iV)
- 12. Geschwindigkeitsanzeige (LC 141iV)
- 13. Taste Drehzahl erhöhen (LC 141iV)
- 14. Heckklappe
- 15. Symbole
- 16. Akkudeckel
- 17. Sicherheitsschlüssel

- 18. Schneidschutz
- 19. Schnitthöhenhebel
- 20. Typenschild
- 21. Grasfänger
- 22. Mulch-Kit (Zubehör für LC 141iV)
- 23. Mulch-Kit (Zubehör für LC 141i)
- 24. Ladegerät (Zubehör)
- 25. Akku (Zubehör)
- 26. Bedienungsanleitung

Geräteübersicht LC 141C



- 1. Motorbremsbügel
- 2. Startsperr
- 3. Netzkabelsteckdose
- 4. Netzkabelhalterung
- 5. Griff/Lenker
- 6. Heckklappe
- 7. Symbole
- 8. Schneidschutz
- 9. Typenschild
- 10. Schnitthöhenhebel
- 11. Mulcheinsatz (Zubehör)

- 12. Grasfänger
- 13. Bedienungsanleitung

Symbole auf dem Gerät



Wenn das Gerät nicht sorgfältig und korrekt verwendet wird, kann es zu Verletzungen oder zum Tod des Bedieners

oder anderer Personen kommen.



Lesen Sie die Bedienungsanleitung, und machen Sie sich mit den Anweisungen vertraut, bevor Sie dieses Gerät verwenden.



Andere Personen oder Tiere müssen sich in sicherem Abstand vom Arbeitsbereich befinden.



Achten Sie auf hochgeschleuderte und abprallende Gegenstände.



Warnung: Halten Sie Hände und Füße von der rotierenden Klinge fern.



Warnung: Halten Sie Hände und Füße von rotierenden Teilen fern.



Entfernen Sie den Sicherheitsschlüssel, bevor Sie Wartungsarbeiten am Gerät durchführen. (Modell LC 141iV/LC 141i)



Trennen Sie vor Wartungsarbeiten das Gerät vom Stromnetz. (Modell LC 141C)

IPX1

IPX1 – Das Gerät ist gegen Tropfwasser geschützt (Modell LC 141iV/LC 141i)

IPX4

IPX4 – Das Gerät ist gegen Spritzwasser geschützt (Modell LC 141C)



Schützen Sie das Gerät vor Regen (Modell LC 141iV/LC 141i)



Warnung: Mähen Sie nicht über das Netzkabel. Dies kann zu einem elektrischen Schlag und Schäden am Gerät führen. (Modell LC 141C)




Dieses Gerät stimmt mit den geltenden EG-Richtlinien überein.

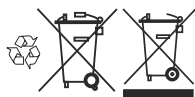


Umweltbelastende Geräuschemissionen gemäß der Richtlinie der Europäischen Gemeinschaft. Die Emission des Geräts ist im Abschnitt

„Technische Daten“ und auf dem Geräteschild angegeben.

 Gleichstrom. 36 V

 Doppelt isoliert.



Recyceln Sie dieses Gerät an einer Recyclingstation für elektrische und elektronische Geräte. (nur für Europa)



Startvorgang Modell LC 141iV/ LC 141i: Drücken Sie die ON/OFF-Taste, lösen Sie die Wegfahrsperrung, und drücken Sie den Motorbremsgriff nach unten.



Startvorgang Modell LC 141C: Lösen Sie die Startsperrung, und drücken Sie den Motorbremsgriff nach unten.



Lassen Sie den Motorbremsgriff bis zum Stopp los.



Langsam



Schnell



Scanbarer Code

Hinweis: Sonstige Symbole/Aufkleber auf dem Gerät beziehen sich auf Zertifizierungsanforderungen, die in einigen Märkten gelten.

Produkthaftung

Im Sinne der Produkthaftungsgesetze übernehmen wir keine Haftung für Schäden, die unser Gerät verursacht, wenn...

- das Gerät nicht ordnungsgemäß repariert wird.
- das Gerät mit Teilen repariert wird, die nicht vom Hersteller stammen oder nicht vom Hersteller zugelassen sind.
- ein Zubehörteil mit dem Gerät verwendet wird, das nicht vom Hersteller stammt oder nicht vom Hersteller zugelassen ist.
- das Gerät nicht bei einem zugelassenen Service Center oder von einem zugelassenen Fachmann repariert wird.

Sicherheit

Sicherheitsdefinitionen

Warnungen, Vorsichtsmaßnahmen und Hinweise werden verwendet, um auf besonders wichtige Teile der Bedienungsanleitung hinzuweisen.



WARNUNG: Wird verwendet, wenn bei Nichtbeachtung der Anweisungen in diesem Handbuch die Gefahr von Verletzung oder

Tod des Bedieners oder anderer Personen besteht.



ACHTUNG: Wird verwendet, wenn bei Nichtbeachtung der Anweisungen in diesem Handbuch die Gefahr von Schäden am Gerät, an anderen Materialien oder in der Umgebung besteht.

Hinweis: Für weitere Informationen, die in bestimmten Situationen nötig sind.

Allgemeine Sicherheitshinweise



WARNUNG: Lesen Sie die folgenden Warnhinweise, bevor Sie das Gerät benutzen.

- Dieses Gerät ist gefährlich, wenn es falsch bedient wird oder Sie unvorsichtig sind. Wenn die Sicherheitshinweise nicht befolgt werden, kann dies zu Verletzungen oder zum Tod führen.
- Dieses Gerät erzeugt beim Betrieb ein elektromagnetisches Feld. Dieses Feld kann sich unter bestimmten Bedingungen auf die Funktionsweise aktiver oder passiver medizinischer Implantate auswirken. Um die Gefahr von Situationen, die zu schweren oder tödlichen Verletzungen führen können, zu reduzieren, sollten Personen mit einem medizinischen Implantat vor der Nutzung dieses Geräts ihren Arzt und den Hersteller des Implantats konsultieren.
- Lassen Sie immer Vorsicht walten, und arbeiten Sie mit gesundem Menschenverstand. Wenn Sie sich nicht sicher sind, wie das Gerät in einer bestimmten Situation zu bedienen ist, unterbrechen Sie die Arbeit und wenden sich an Ihren Husqvarna-Händler, bevor Sie fortfahren.
- Denken Sie daran, dass der Bediener für Unfälle mit anderen Personen oder deren Eigentum verantwortlich ist.
- Halten Sie das Gerät sauber. Stellen Sie sicher, dass Symbole und Aufkleber deutlich lesbar sind.
- Verhindern Sie, dass Kinder oder Personen, die mit den Anweisungen nicht vertraut sind, das Gerät benutzen. Unter Umständen gelten gesetzlich vorgeschriebene Altersbeschränkungen für den Bediener
- Stellen Sie sicher, dass Personen mit verminderter physischer oder psychischer Leistungsfähigkeit dieses Gerät nicht unbeobachtet verwenden. Es muss immer

ein verantwortlicher Erwachsener anwesend sein.

- Verwenden Sie das Gerät nicht, wenn Sie müde oder krank sind oder unter Einfluss von Alkohol, Drogen oder Medikamenten stehen. Dies wirkt sich negativ auf Ihre Sehkraft, Ihre Aufmerksamkeit sowie Ihr Koordinations- und Urteilsvermögen aus.
- Verwenden Sie das Gerät nicht, wenn es defekt ist.
- Verändern oder verwenden Sie dieses Gerät nicht, wenn die Möglichkeit besteht, dass andere es verändert haben.

Sicherheit im Arbeitsbereich



WARNUNG: Lesen Sie die folgenden Warnhinweise, bevor Sie das Gerät benutzen.

- Entfernen Sie Gegenstände wie Äste, Zweige und Steine aus dem Arbeitsbereich, bevor Sie das Produkt verwenden.
- Gegenstände, die auf die Schneidausrüstung treffen, können herausgeschleudert werden und Personen und Gegenständen Schaden zufügen. Halten Sie andere Personen und Tiere in einem sicheren Abstand zum Produkt.
- Benutzen Sie das Gerät niemals bei schlechtem Wetter wie Nebel, Regen, starkem Wind, intensiver Kälte und bei der Gefahr eines Blitzeinschlags. Die Verwendung des Geräts bei schlechtem Wetter oder an feuchten oder nassen Stellen ist anstrengend. Schlechtes Wetter kann gefährliche Zustände wie rutschige Oberflächen verursachen.
- Achten Sie auf Personen, Gegenstände und Situationen, die einen sicheren Betrieb des Geräts verhindern könnten.
- Achten Sie auf Hindernisse wie Wurzeln, Steine, Zweige, Löcher und Gräben. Langes Gras kann Hindernisse verdecken.
- Das Mähen von Gras an Steigungen kann gefährlich sein. Mähen Sie nicht an übermäßig steilen Hängen. Verwenden Sie das Gerät nicht in einem Gelände mit einer Neigung von mehr als 15°
- Bei Richtungswechseln auf abschüssigem Gelände ist äußerste Vorsicht geboten. Betreiben Sie das Gerät quer

zum Hang. Bewegen Sie sich nicht nach oben und nach unten.

- Seien Sie vorsichtig, wenn Sie um versteckte Ecken oder Objekte herum fahren, die Ihre freie Sicht verhindern.

Arbeitssicherheit



WARNUNG: Lesen Sie die folgenden Warnhinweise, bevor Sie das Gerät benutzen.

- Verwenden Sie dieses Produkt nur zum Mähen von Rasenflächen. Es ist nicht erlaubt, das Produkt für andere Aufgaben zu verwenden.
- Tragen Sie eine persönliche Schutzausrüstung. Siehe *Persönliche Schutzausrüstung auf Seite 120*.
- Stellen Sie sicher, dass Sie wissen, wie der Motor in einem Notfall schnell gestoppt werden kann.
- Verwenden Sie das Gerät nicht im Regen oder in feuchter Umgebung. Das Risiko eines elektrischen Schlags wird erhöht, wenn Wasser in das Gerät eindringt.
- Starten Sie das Produkt nicht, bevor die Klinge und alle Abdeckungen korrekt befestigt sind. Eine falsch befestigte Klinge kann sich lösen und Personenschaden verursachen.
- Stellen Sie sicher, dass die Klinge nicht auf Gegenstände wie Steine und Wurzeln trifft. Dies kann die Klinge beschädigen und die Motorwelle verbiegen. Eine verbogene Achse führt zu starken Vibrationen und birgt ein hohes Risiko, dass die Klinge sich löst.
- Wenn die Klinge auf ein Objektiv trifft oder Vibrationen auftreten, müssen Sie das Produkt sofort abstellen. Halten Sie den Motor an, drehen Sie den Sicherheitsschlüssel auf „0“ und entfernen Sie den Akku (Modell LC 141iV und LC 141i) bzw. ziehen Sie das Netzkabel ab (Modell LC 141C). Untersuchen Sie das Gerät auf beschädigte Teile. Reparieren Sie Schäden oder lassen Sie einen autorisierten Kundendienst die Reparatur durchführen.
- Befestigen Sie den Motorbremsbügel niemals

- fest am Griff, wenn der Motor läuft.
- Stellen Sie das Gerät auf eine stabile, flache Oberfläche und starten Sie es. Stellen Sie sicher, dass die Klinge nicht den Boden oder ein anderes Objekt berührt.
 - Bleiben Sie immer hinter dem Produkt, wenn Sie es betreiben.
 - Lassen Sie alle Räder auf dem Boden bleiben und halten Sie den Griff mit 2 Händen, wenn Sie das Produkt betreiben. Halten Sie Hände und Füße von den rotierenden Rasenmäherklingen fern.
 - Kippen Sie das Produkt nicht, wenn der Motor läuft.
 - Seien Sie vorsichtig, wenn Sie das Gerät nach hinten ziehen.
 - Heben Sie das Gerät nicht hoch, wenn der Motor läuft. Wenn Sie das Gerät anheben müssen, schalten Sie zuerst den Motor aus, drehen Sie den Sicherheitsschlüssel auf „0“ und entfernen Sie den Akku (Modell LC 141iV und LC 141i) bzw. ziehen Sie das Netzkabel ab (Modell LC 141C).
 - Gehen Sie nicht rückwärts, wenn Sie das Gerät betreiben.
 - Stellen Sie den Motor ab, wenn Sie sich über Bereiche ohne Gras bewegen, zum Beispiel Wege aus Kies, Stein und Asphalt.
 - Rennen Sie nicht mit dem Gerät, wenn der Motor läuft. Gehen Sie immer, wenn Sie das Produkt benutzen.
 - Stellen Sie den Motor ab, bevor Sie die Schnitthöhe verändern. Verändern Sie die Einstellungen niemals, wenn der Motor läuft.
 - Lassen Sie das Produkt niemals aus den Augen, wenn der Motor läuft. Stellen Sie den Motor ab und stellen Sie sicher, dass sich die Schneid-ausrüstung nicht dreht.

Sicherheitshinweise für den Betrieb

Persönliche Schutzausrüstung



WARNUNG: Lesen Sie die folgenden Warnhinweise, bevor Sie das Gerät benutzen.

- Die persönliche Schutzausrüstung kann Verletzungen nicht vollständig vermeiden, vermindert aber

den Umfang der Verletzungen und Schäden bei einem Unfall. Lassen Sie sich von Ihrem Händler bei der Auswahl der richtigen Ausrüstung unterstützen.

- Tragen Sie rutschfeste Sicherheitsstiefel oder -schuhe. Verwenden Sie keine offenen Schuhe, und gehen Sie nicht barfuß.
- Tragen Sie schwere, lange Hosen.
- Tragen Sie bei Bedarf Schutzhandschuhe, beispielsweise bei der Montage, der Untersuchung oder der Reinigung der Schneidausrüstung.

Sicherheitsvorrichtungen am Gerät



WARNUNG: Lesen Sie die folgenden Warnhinweise, bevor Sie das Gerät benutzen.

- Benutzen Sie kein Gerät mit defekten Sicherheitsvorrichtungen.
- Führen Sie regelmäßig eine Überprüfung der Sicherheitsvorrichtungen durch. Wenn die Sicherheitsvorrichtungen defekt sind, wenden Sie sich an Ihre Husqvarna-Servicewerkstatt.

So überprüfen Sie den Schneidschutz

Der Schneidschutz verringert Vibrationen im Gerät und das Verletzungsrisiko durch die Klinge.

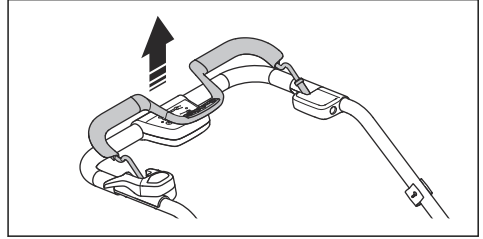
- Untersuchen Sie die Schneidewerkabdeckung, um sicherzustellen, dass es keine Beschädigungen wie zum Beispiel Risse gibt.

Motorbremsbügel

Der Motorbremsbügel stoppt den Motor. Wenn der Motorbremsbügel losgelassen wird, stoppt der Motor.

Um eine Prüfung der Motorbremse durchzuführen, starten Sie den Motor und lassen dann den Motorbremsbügel los. Wenn der Motor nicht innerhalb

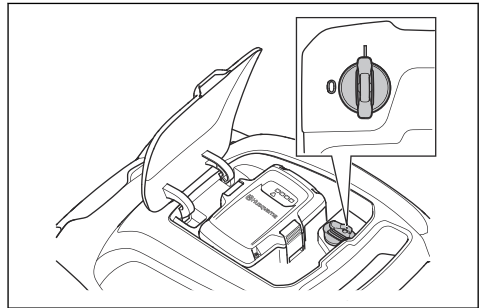
von 3 Sekunden stoppt, lassen Sie die Motorbremse von einer autorisierten Husqvarna Servicewerkstatt einstellen.



Sicherheitsschlüssel (Modelle LC 141IV und LC 141I)

Der Sicherheitsschlüssel befindet sich unter der Akkuabdeckung. Mit dem Sicherheitsschlüssel wird der Akku angeschlossen, der den Motor mit Strom versorgt.

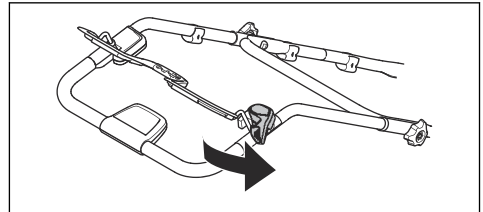
- Starten und stoppen Sie den Motor, um den Sicherheitsschlüssel zu kontrollieren.
- Wenn der Sicherheitsschlüssel ordnungsgemäß funktioniert, startet der Motor nur, wenn der Schlüssel auf Position „1“ steht.



So überprüfen Sie die Startsperr

Führen Sie eine Prüfung der Startsperr durch, um sicherzustellen, dass diese den Betrieb des Motors verhindert.

1. Drücken Sie den Motorbremsbügel in die Richtung des Lenkers. Die Startsperr stoppt die Bewegung.
2. Drücken Sie die Startverzögerung heraus.

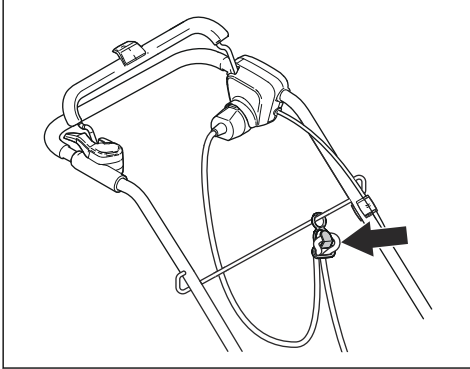


3. Lösen Sie die Startsperr und stellen Sie sicher, dass sie sich zurück in die Ausgangsstellung bewegt.

Verwendung des Netzkabelhalters (Modell LC 141C)

Der Netzkabelhalter reduziert die Belastung für Steckdose und Netzkabel. Der Netzkabelhalter verringert auch das Risiko eines Sturzes.

1. Biegen Sie das Netzkabel in eine kleine Schleife.
2. Legen Sie die Schleife in die Öffnung im Netzkabelhalter.
3. Legen Sie die Schleife um den Haken.
4. Ziehen Sie am Netzkabel, um die Schleife am Haken enger zu ziehen.



Sicherer Umgang mit Akku



WARNUNG: Lesen Sie die folgenden Warnhinweise, bevor Sie das Gerät benutzen.

- Es besteht die Gefahr von elektrischen Schlägen. Verbinden Sie die Akkuklemmen nicht mit Schlüsseln, Münzen, Schrauben oder anderen metallischen Gegenständen. Dadurch kann es zu einem Kurzschluss des Akkus kommen.
- Legen Sie keine Gegenstände in die Luftschlitze des Akkus.
- Halten Sie den Akku von direkter Sonneneinstrahlung, Hitze oder offenem Feuer fern. Der Akku kann explodieren und Verbrennungen und/oder chemische Verbrennungen verursachen.
- Halten Sie den Akku von Regen und Feuchtigkeit fern.
- Halten Sie den Akku von Mikrowellen und hohem Druck fern.
- Versuchen Sie nicht, den Akku zu zerlegen oder aufzubrechen.
- Wenn aus dem Akku Flüssigkeit austritt, vermeiden Sie Haut- oder Augenkontakt mit dieser. Sollten Sie dennoch mit der Flüssigkeit in Berührung gekommen sein, reinigen Sie den Bereich mit ausreichend Wasser und
- Verwenden Sie die wiederaufladbaren Akkus von Husqvarna nur als Stromversorgung für zugehörige Husqvarna Produkte. Um Verletzungen zu vermeiden, verwenden Sie den Akku nicht zur Energieversorgung anderer Geräte.
- Verwenden Sie keine nicht aufladbaren Akkus.

suchen Sie medizinische Hilfe auf.

- Der Akku darf nur bei Temperaturen zwischen -10 und 40 °C verwendet werden.
- Reinigen Sie weder den Akku noch das Ladegerät mit Wasser. Siehe *So reinigen Sie den Akku und das Ladegerät auf Seite 134*.
- Verwenden Sie keine fehlerhaften oder beschädigten Akkus.
- Lagern Sie Akkus getrennt von Metallgegenständen wie Nägeln, Münzen und Schmuck.

Sicherer Umgang mit dem Ladegerät



WARNUNG: Lesen Sie die folgenden Warnhinweise, bevor Sie das Gerät benutzen.

- Verwenden Sie die QC Ladegeräte nur zum Laden von Husqvarna Akkus.
- Stromschlag- oder Kurzschlussgefahr. Legen Sie keine Gegenstände in die Luftschlitze des Ladegeräts. Das Ladegerät nicht zerlegen. Verbinden Sie die Anschlüsse des Ladegeräts nicht mit Metallgegenständen. Verwenden Sie eine geprüfte Netzsteckdose.
- Dieses Gerät erzeugt beim Betrieb ein elektromagnetisches Feld. Dieses Feld kann sich unter bestimmten Bedingungen auf die Funktionsweise aktiver oder passiver medizinischer Implantate auswirken. Um die Gefahr von Situationen, die zu schweren oder tödlichen Verletzungen führen können, auszuschließen, sollten Personen mit einem medizinischen Implantat vor der Nutzung dieses Gerätes ihren Arzt und den Hersteller des Implantats konsultieren.
- Prüfen Sie regelmäßig, dass das Netzkabel des Akkuladegeräts nicht beschädigt ist und dass keine Risse vorhanden sind.
- Heben Sie das Ladegerät nicht am Netzkabel an. Um das Ladegerät von der Steckdose zu trennen, ziehen Sie am Netzstecker. Ziehen Sie nicht am Netzkabel.
- Achten Sie darauf, dass Netzkabel und Verlängerungskabel nicht mit Wasser, Öl oder scharfen Kanten in Berührung kommen. Achten Sie darauf, dass die

Kabel nicht in Türen, Zäunen o. ä. eingeklemmt werden. Es besteht sonst die Gefahr, dass das Ladegerät unter Strom gestellt wird.

- Reinigen Sie das Ladegerät nicht mit Wasser.
- Das Akkuladegerät kann von Kindern ab 8 Jahren sowie von Personen mit eingeschränkten physischen, sensorischen oder psychischen Fähigkeiten bzw. Personen ohne jegliche Erfahrung oder Kenntnisse verwendet werden, wenn sie beaufsichtigt werden oder ihnen die sichere Verwendung des Ladegeräts ausführlich erklärt wurde und sie sich der Gefahren bewusst sind. Kinder dürfen nicht mit dem Ladegerät spielen. Die Reinigung und Wartung durch den Anwender darf nicht von Kindern ohne Aufsicht durchgeführt werden.
- Setzen Sie keine nicht wiederaufladbaren Akkus in das Ladegerät ein.
- Das Ladegerät darf nicht in der Nähe von entflammbar Materialen oder Materialien, die Korrosion verursachen können, verwendet werden. Das Ladegerät darf nicht abgedeckt werden. Bei

Rauchentwicklung oder Feuer muss der Stecker des Ladegeräts sofort aus der Steckdose gezogen werden.

- Verwenden Sie keine fehlerhaften oder beschädigten Ladegeräte.
- Laden Sie den Akku nur in geschlossenen Räumen an einem Ort mit guter Luftzirkulation und ohne direkte Sonneneinstrahlung. Auf keinen Fall Akkus in feuchter Umgebung laden.

Netzkabelsicherung

Für Modell LC 141C.

- Die Verwendung einer Fehlerstromschutzvorrichtung (FI) mit einem Auslösestrom von höchstens 30 mA wird empfohlen. Auch bei installiertem FI-Schutzschalter kann eine 100 %-ige Sicherheit nicht garantiert werden, weshalb immer sichere Arbeitsmethoden befolgt werden müssen. Überprüfen Sie den FI-Schutzschalter bei jeder Verwendung.
- Trennen Sie das Kabel sofort von der Stromversorgung, wenn das Netzkabel eingeschnitten oder die Isolierung beschädigt ist.

- Berühren Sie das eingeschnittene oder beschädigte Elektrokabel erst, wenn es von der Stromversorgung getrennt wurde.
- Reparieren Sie kein eingeschnittenes oder beschädigtes Netzkabel. Ersetzen Sie es durch ein neues.

Sicherheitshinweise für die Wartung



WARNUNG: Lesen Sie die folgenden Warnhinweise, bevor Sie das Gerät benutzen.

- Für Modell LC 141iV, LC 141i: Um ein unbeabsichtigtes Starten während der Wartung zu vermeiden, drehen Sie den Sicherheitsschlüssel auf 0 und nehmen Sie den Akku heraus. Warten Sie mindestens 5 Sekunden, bevor Sie mit der Wartung beginnen.
- Für Modell LC 141C: Ziehen Sie das Netzkabel ab, um ein versehentliches Starten während der Wartungsarbeiten zu verhindern.
- Führen Sie die Wartungsarbeiten zur Erhöhung der Lebensdauer des Produkts und Verringerung der Unfallgefahr ordnungsgemäß aus. Lassen Sie professionelle Reparaturarbeiten von einer zugelassenen Servicewerkstatt durchführen. Weitere Informationen erhalten Sie von Ihrer Servicewerkstatt.
- Führen Sie die Wartung nur gemäß dieser Betriebsanleitung durch. Größere Eingriffe sind von einer zugelassenen Servicewerkstatt auszuführen.
- Tragen Sie beim Umgang mit der Schneidausrüstung schwere Arbeitshandschuhe. Die Klinge ist sehr scharf und man schneidet sich sehr leicht.
- Halten Sie die Schnittkanten sauber und scharf für die beste und sicherste Leistung.
- Ihre Servicewerkstatt sollte das Gerät regelmäßig überprüfen und notwendige Einstellungen und Reparaturen vornehmen.
- Ersetzen Sie beschädigte, abgenutzte oder defekte Teile.
- Befolgen Sie die Anweisungen für das Auswechseln von Zubehörteilen. Verwenden Sie nur Zubehör vom Gerätehersteller.
- Wenn es nicht in Betrieb ist, bewahren Sie Produkt, Akku und Ladegerät getrennt an

einem trockenen und abgeschlossenen Ort auf. Achten Sie darauf, dass Kinder und unbefugte

Personen keinen Zugriff auf das Produkt, den Akku oder das Ladegerät haben.

Montage

Einleitung



WARNUNG: Lesen Sie das Kapitel über Sicherheit vor der Montage des Produkts.

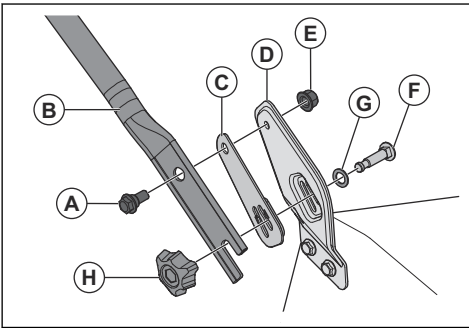


WARNUNG: Für Modell LC 141iV, LC 141i: Um ein unbeabsichtigtes Starten bei der Montage zu verhindern, drehen Sie den Sicherheitsschlüssel auf 0, entfernen Sie den Akku und warten Sie mindestens 5 Sekunden.

Für Modell LC 141C: Ziehen Sie das Netzkabel ab, um ein versehentliches Starten während der Montage zu verhindern.

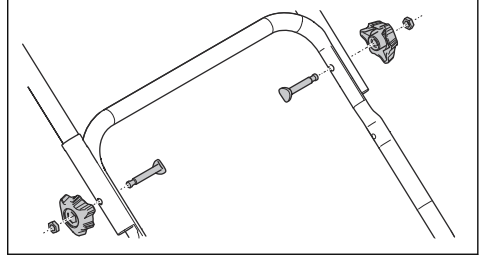
So montieren Sie den Griff

1. Schieben Sie die Schraube (A) durch den Griff (B), die Kunststoffscheibe (C) und die Griffhalterung (D).

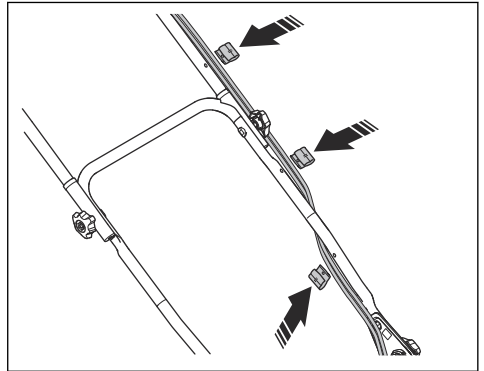


2. Ziehen Sie die Mutter (E) vollständig fest.
3. Schieben Sie die Schraube (F) durch die Scheibe (G) und die Griffhalterung.
4. Ziehen Sie den Knopf (H) vollständig fest.

5. Richten Sie die Schraublöcher im Handgriff an den Löchern am unteren Griff aus, und befestigen Sie die Schrauben, Scheiben und Knöpfe. Ziehen Sie die Knöpfe vollständig fest.

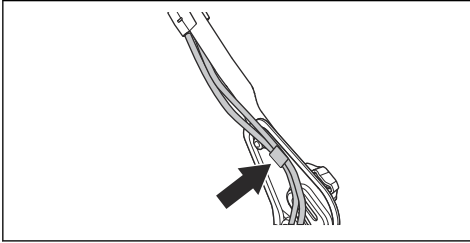


6. Befestigen Sie die Kabel mit den Kabelhaltern am Griff.



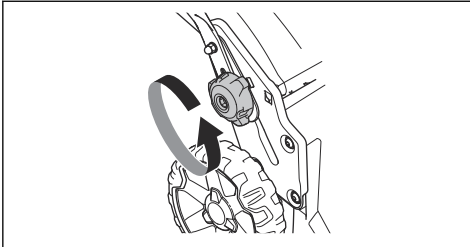
Hinweis: Stellen Sie sicher, dass die Spannung in den Kabeln nicht zu hoch ist. Eine zu hohe Spannung kann zu Schäden am Kabel führen, wenn sich der Griff in der Transportposition befindet.

7. Legen Sie das Kabel um den Haken an der Unterseite des Griffs.

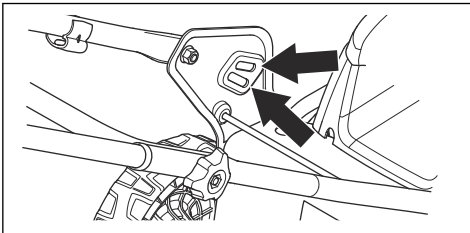


So stellen Sie die Handgriffhöhe ein

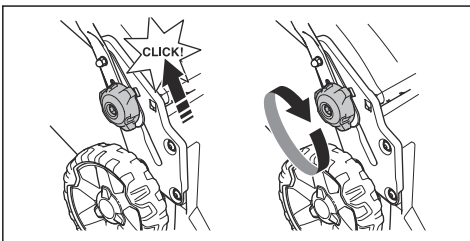
1. Lösen Sie die unteren Drehknöpfe.



2. Entfernen Sie links und rechts den Knopf, die Unterlegscheibe und die Schraube.
3. Der Griff kann auf 2 verschiedene Höhen eingestellt werden. Setzen Sie die Schraube in eine der beiden Bohrungen auf der linken und der rechten Seite.

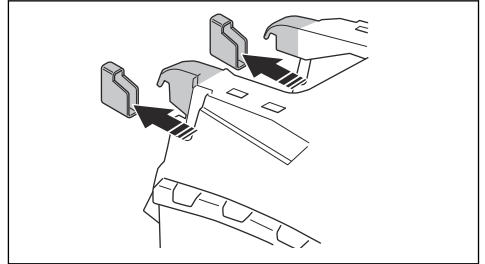


4. Befestigen Sie die Schrauben, Unterlegscheiben und die Knöpfe.
5. Bewegen Sie die Flügelmutter nach oben in Richtung Griff, bis Sie den Anschlag erreichen und ein Klicken hören. Ziehen Sie die Knöpfe vollständig fest.

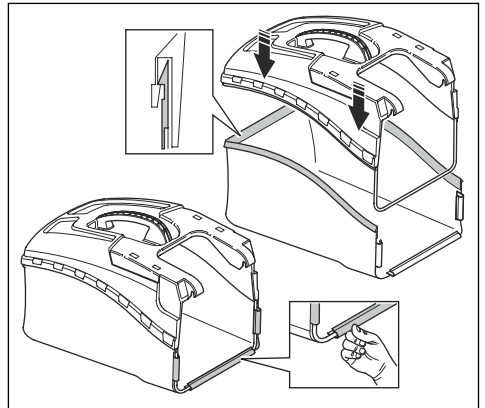


So montieren Sie den Grasfänger

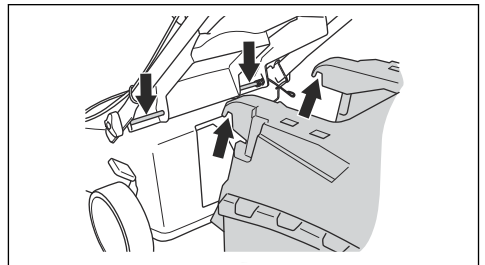
1. Drücken Sie die beiden Transportabdeckungen nach außen und unten.



2. Befestigen Sie den oberen Teil des Grasfängers am unteren Teil des Grasfängers. Befestigen Sie den Grasfängerrahmen mit den Klammern.



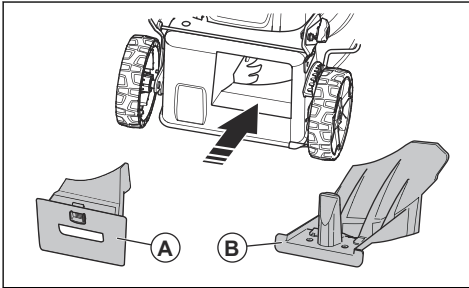
3. Heben Sie die hintere Abdeckung an.
4. Befestigen Sie die Haken am Grasfänger an der Oberkante des Chassis.



So montieren Sie den Mulchsatz

1. Heben Sie die hintere Abdeckung an, und entfernen Sie den Grasfänger.

2. Setzen Sie den Mulcheinsatz in den Grasaustrittskanal. Der Mulcheinsatz Typ A ist für LC 141i und LC 141C. Typ B ist für LC 141iV.



3. Schließen Sie die hintere Abdeckung.
4. Ersetzen Sie das Mähmesser durch das Kombi-Mähmesser, siehe *So entfernen und ersetzen Sie die Klinge auf Seite 135*.

Betrieb

Einleitung



WARNUNG: Vor dem Betrieb des Gerätes müssen Sie die Sicherheitsinformationen lesen und verstehen.

Husqvarna Connect

Husqvarna Connect ist eine kostenlose App für Ihr Mobilgerät. Die Husqvarna Connect App bietet erweiterte Funktionen für Ihr Gerät:

- Erweiterte Produktinformationen
- Informationen über Produktteile und -wartung sowie entsprechende Hilfe dazu.

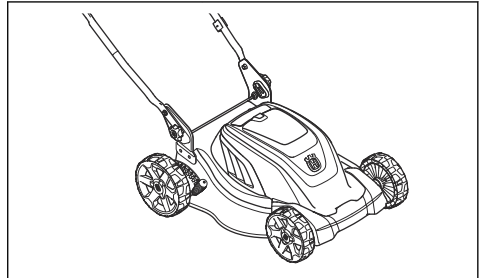
So verwenden Sie Husqvarna Connect

1. Laden Sie die Husqvarna Connect App auf Ihr Mobiltelefon.
2. Anmeldung bei der Husqvarna Connect App.
3. Befolgen Sie die Anweisungen in der Husqvarna Connect App, um sich zu verbinden und das Gerät zu registrieren.

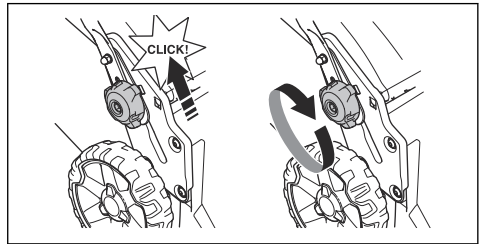
So bringen Sie das Gerät in die Betriebsposition

Wenn sich der Griff in der Transport- und Lagerposition (siehe *So bringen Sie das Gerät in die Transportposition auf Seite 137*) befindet, befolgen Sie die nachstehenden Schritte, um den Griff in die Betriebsposition zu bringen.

1. Heben Sie den Griff an, bis der untere Griff in die Betriebsposition einrastet.

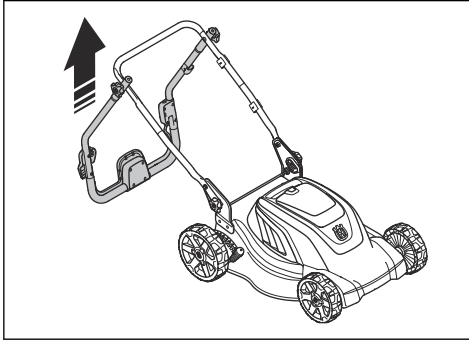


2. Bewegen Sie die unteren Knöpfe nach oben in Richtung Griff, bis Sie den Anschlag erreichen und ein Klicken hören.



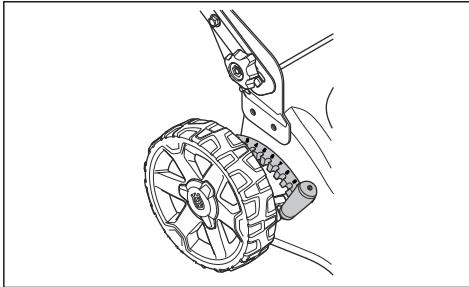
3. Drehknöpfe anziehen.

4. Heben Sie den oberen Griff an und ziehen Sie die Knöpfe fest.



So stellen Sie die Schnitthöhe ein

1. Bewegen Sie den Schnitthöhenhebel nach hinten, um die Schnitthöhe zu erhöhen.
2. Bewegen Sie den Schnitthöhenhebel nach vorne, um die Schnitthöhe zu verringern.



ACHTUNG: Stellen Sie die Schnitthöhe nicht zu niedrig ein. Die Klingen können auf den Boden treffen, wenn die Oberfläche des Rasens nicht eben ist.

Akku

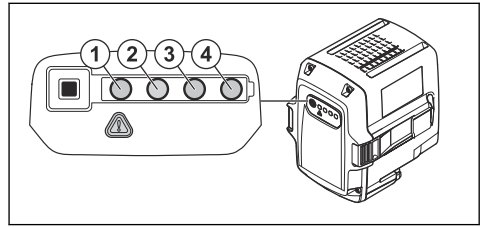


WARNUNG: Vor dem Betrieb des Akkus müssen Sie die Sicherheitsinformationen lesen und verstehen. Sie müssen außerdem Bedienungsanleitung für den Akku und das Ladegerät lesen und verstehen.

Akkuladestatus

Auf der Anzeige werden der verbleibende Ladezustand und eventuelle Störungen des Akkus angezeigt. Die Akkukapazität wird nach dem Ausschalten des Geräts bzw. nach Drücken der Akkuanzeigen Taste für 5 Sekunden angezeigt. Das Warnsymbol auf dem Akku

ist an, wenn eine Störung vorliegt. Siehe *Akku auf Seite 135*.



LED-Leuchten	Akkuladestatus
Alle LEDs leuchten	Volle Ladung (75-100 %)
LED 1, LED 2 und LED 3 leuchten	Der Akku ist zu 50-75 % geladen
LED 1 und LED 2 leuchten	Der Akku ist zu 25-50 % geladen
LED 1 leuchtet	Der Akku ist zu 0-25 % geladen.
LED 1 blinkt	Der Akku ist leer. Laden Sie den Akku.

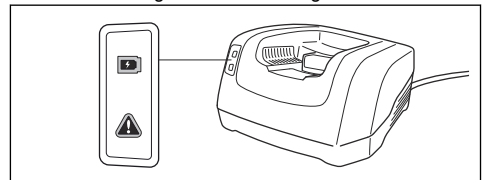
So laden Sie den Akku

Laden Sie den Akku vor dem ersten Gebrauch. Der Akku ist bei der Auslieferung an den Kunden nur zu 30 % geladen.

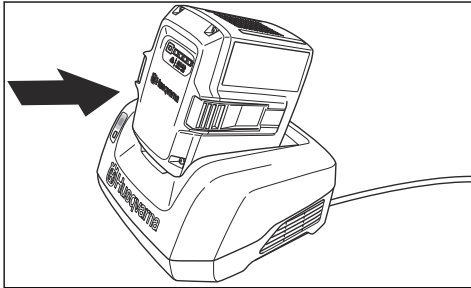
Hinweis: Das Ladegerät muss mit der auf dem Typenschild angegebenen Spannung und Frequenz angeschlossen werden.

Der Akku wird nicht aufgeladen, wenn die Akkutemperatur über 50 °C beträgt. Das Ladegerät verringert die Temperatur des Akkus, bevor es zu laden beginnt.

1. Schließen Sie ein Ende des Netzkabels für das Ladegerät an die Anschlussbuchse des Ladegeräts an.
2. Schließen Sie das andere Ende des Netzkabels für das Ladegerät an eine geerdete Steckdose an. Die LED am Ladegerät blinkt einmal grün.



- Die Batterie in das Ladegerät einlegen. Die grüne Leuchte auf dem Ladegerät leuchtet auf, wenn der Akku richtig mit dem Ladegerät verbunden ist.



- Wenn alle LEDs am Akku leuchten, ist der Akku vollständig aufgeladen. Laden Sie den Akku für maximal 24 Stunden.
- Um das Ladegerät von der Steckdose zu trennen, ziehen Sie am Netzstecker und nicht am Netzkabel.
- Den Akku aus dem Ladegerät entnehmen.

Akku-Ladestatus

Ein Husqvarna Li-Ionen-Akku kann in jedem Ladezustand aufgeladen oder genutzt werden. Der Akku wird hierdurch nicht beschädigt. Ein vollgeladener Akku behält seine Ladung auch dann, wenn der Akku im Ladegerät belassen wird.

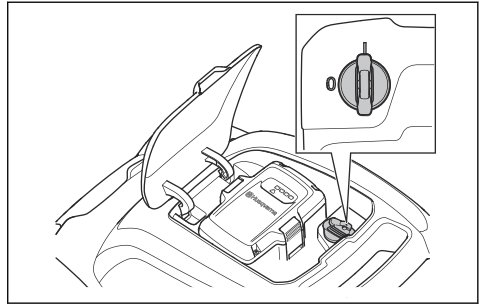
LED-Anzeige	Ladezustand
LED 1 blinkt	0 %-25 %
LED 1 leuchtet, LED 2 blinkt	25 %-50 %
LED 1 und LED 2 leuchten, LED 3 blinkt	50 %-75 %
LED 1, LED 2 und LED 3 leuchten, LED 4 blinkt	75%-100 %
LED 1, LED 2, LED 3 und LED 4 leuchten	Vollständig aufgeladen

Bedienung von LC 141iV und LC 141i

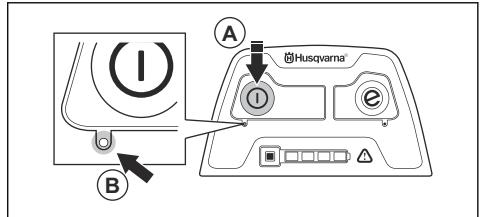
So starten Sie das Gerät

- Legen Sie einen aufgeladenen Akku in das Batteriefach ein.

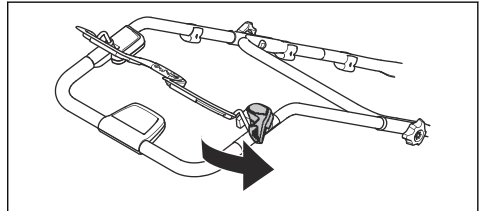
- Drehen Sie den Sicherheitsschlüssel auf 1.



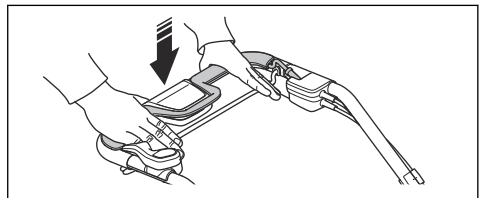
3. Bleiben Sie hinter dem Produkt.
4. Drücken Sie die EIN/AUS-Taste (A) auf dem Bedienfeld, sodass die grüne LED (B) aufleuchtet.



5. Lösen Sie die Wegfahrsperrung.

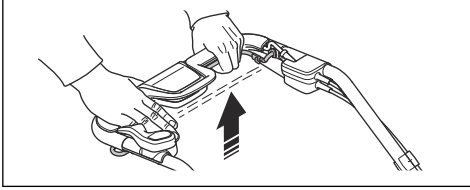


6. Drücken Sie den Motorbremsbügel in die Richtung des Lenkers.

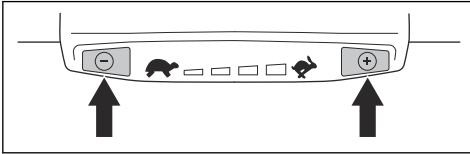


So treiben Sie die Räder an

- Modell LC 141iV: Ziehen Sie den Antriebsbügel zum Lenker, um den Antrieb zu starten.



- Drücken Sie + und - auf dem Bedienfeld, um die Drehzahl des Antriebs in 4 Schritten einzustellen.

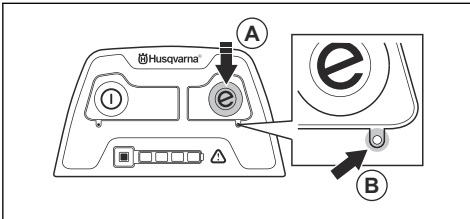


- Lassen Sie den Antriebsgriff los, um den Antrieb auszuschalten, z. B., wenn Sie sich in die Nähe eines Hindernisses bewegen.

So verwenden Sie die Save-Akkusparfunktion

Das Produkt ist mit einer Akkusparfunktion (SaveE) ausgestattet, um die Betriebsdauer zu verlängern.

1. Drücken Sie die SaveE-Taste (Energiespartaste) zum Starten der Funktion. Die grüne LED leuchtet auf.



2. Drücken Sie die SaveE-Taste (Energiespartaste) erneut, um die Funktion zu deaktivieren. Die grüne LED (B) erlischt.

Die SaveE-Funktion stoppt automatisch, wenn die Bodenbeschaffenheit eine höhere Leistung notwendig macht. Die SaveE-Funktion startet automatisch, wenn die Bodenbeschaffenheit es zulässt.

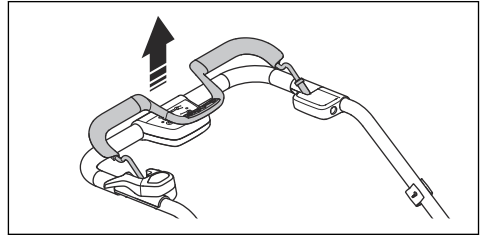
Funktion für hohe Belastung

Wenn das Produkt langes oder nasses Gras schneidet, wird die Motordrehzahl automatisch erhöht. Der Motor wechselt zurück zum normalen Modus, wenn eine hohe Belastung nicht erforderlich ist.

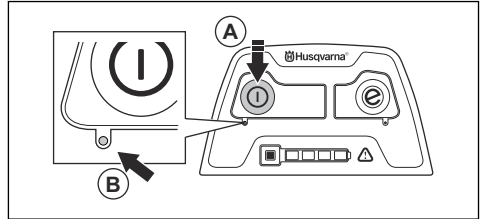
So stoppen Sie das Produkt

Das Produkt stoppt automatisch, wenn Sie es für 10 Minuten nicht in Betrieb nehmen. Stellen Sie stets den Sicherheitsschlüssel auf 0, bevor Sie das Produkt unbeaufsichtigt lassen.

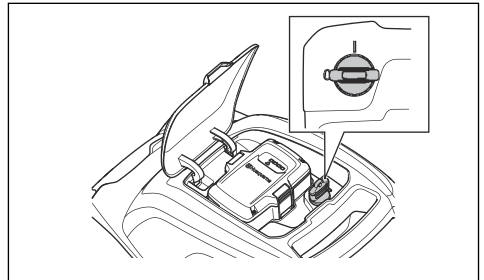
1. Lösen Sie den Motorbremsbügel, um den Motor auszuschalten.



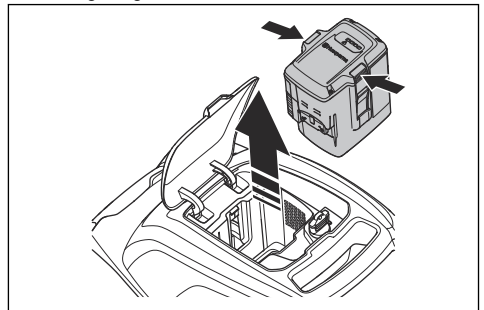
2. Halten Sie den EIN/AUS-Schalter (A) auf dem Bedienfeld gedrückt, bis die grüne LED (B) erlischt.



3. Öffnen Sie die Akkuabdeckung und drehen Sie den Sicherheitsschlüssel auf 0.



4. Um den Akku zu entfernen, drücken Sie die beiden Entriegelungstasten und ziehen den Akku heraus.



5. Laden Sie den Akku, wenn er schwach ist. Weitere Informationen finden Sie unter *So laden Sie den Akku auf Seite 129*.

Betrieb von LC 141C

So wählen Sie ein zugelassenes Kabel (LC 141C)

Hinweis: Für den britischen Markt verwenden Sie nur das 16 m-Verlängerungskabel, das dem Produkt beiliegt. Für alle anderen Märkte, siehe nachstehende Informationen.

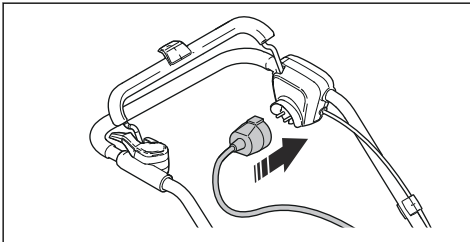
Bei Verwendung von Verlängerungskabeln müssen diese den Mindestquerschnitten in der folgenden Tabelle entsprechen:

Spannung	Kabellänge	Querschnitt
220–240 V/50 Hz	Bis zu 20 m	1,5 mm ²
220 -240 V/50 Hz	20-50 m	2,5 mm ²

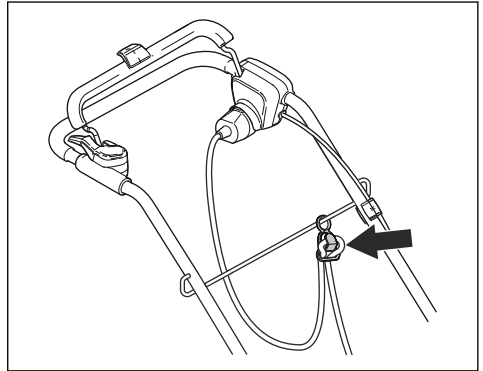
- Netzkabel und Verlängerungskabel sind bei Ihrer örtlichen autorisierten Servicewerkstatt für Husqvarna Outdoor-Produkte erhältlich.
- Verwenden Sie nur Verlängerungskabel, die speziell für den Einsatz im Freien vorgesehen sind und einer der folgenden Spezifikationen entsprechen: Gewöhnlicher Gummi (60245 IEC 53), gewöhnliches PVC (60227 IEC 53) bzw. gewöhnliches PCP (60245 IEC 57)
- Ist das Kabel beschädigt, muss es zur Vermeidung von Gefahren vom Hersteller, dessen Servicewerkstatt oder von gleichermaßen qualifizierten Personen ausgetauscht werden.

So starten Sie das Gerät

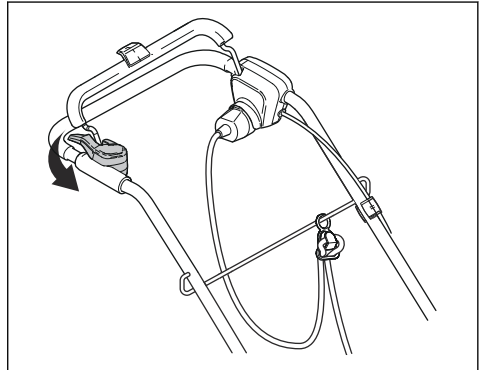
1. Stecken Sie das Netzkabel in die Steckdose unten am Griff.



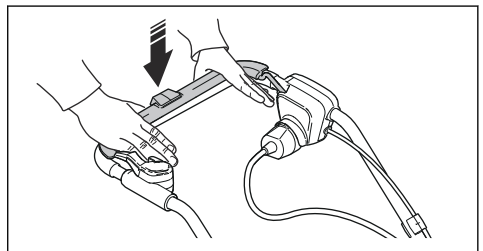
2. Setzen Sie das Netzkabel in den Netzkabelhalter. Siehe *Verwendung des Netzkabelhalters (Modell LC 141C)* auf Seite 122.



3. Bleiben Sie hinter dem Gerät.
4. Lösen Sie die Wegfahrsperrung.

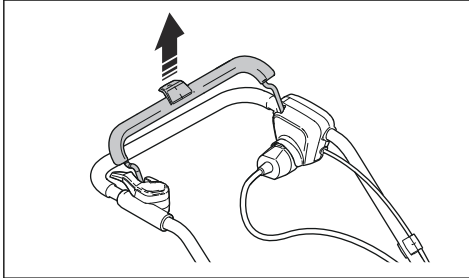


5. Drücken Sie den Motorbremsbügel in die Richtung des Lenkers.

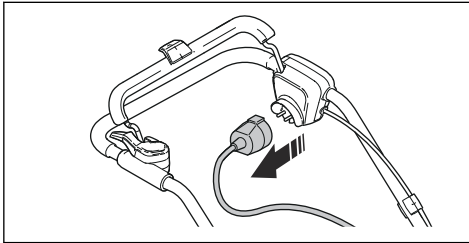


So stoppen Sie das Produkt

1. Lösen Sie den Motorbremsbügel, um den Motor auszuschalten.



2. Ziehen Sie das Netzkabel von der Steckdose und anschließend vom Gerät ab.



ACHTUNG: Ziehen Sie den Stecker gerade heraus. Ziehen Sie nicht am Netzkabel.

So erhalten Sie ein gutes Mähergebnis

- Benutzen Sie immer eine scharfe Klinge. Eine stumpfe Klinge liefert ein unregelmäßiges Ergebnis, und die Schnittfläche des Grases wird gelb. Eine scharfe Klinge verbraucht außerdem weniger Energie als eine stumpfe Klinge.
- Schneiden Sie nicht mehr als $\frac{1}{3}$ der Länge des Grases ab. Mähen Sie zuerst mit einer hohen Schnitthöhe. Überprüfen Sie das Ergebnis, und senken Sie die Schnitthöhe auf eine entsprechende Stufe. Wenn das Gras sehr lang ist, fahren Sie langsam und mähen bei Bedarf 2-mal.
- Mähen Sie bei jedem Mal in eine andere Richtung, um Streifen auf dem Rasen zu vermeiden.

Wartung

Einleitung



WARNUNG: Bevor Sie eine Wartung durchführen, müssen Sie das Kapitel über die Sicherheit lesen und verstehen.

Für alle Wartungs- und Reparaturarbeiten am Produkt ist eine spezielle Schulung erforderlich. Wir garantieren die Verfügbarkeit von professionellen Reparaturen und Wartungsarbeiten. Wenn Ihr Händler keine

Servicewerkstatt ist, sprechen Sie mit ihm, um Informationen über die nächste Servicewerkstatt zu erhalten.

Wartungsplan

Die Wartungsintervalle werden anhand der täglichen Nutzung des Produkts berechnet. Die Intervalle ändern sich, wenn das Produkt nicht täglich verwendet wird.

Informationen zur Wartung mit * finden Sie unter *Sicherheitsvorrichtungen am Gerät auf Seite 121.*

LC 141IV, LC 141I und LC 141C	Nach jedem Einsatz	Monatlich	Zu jeder Jahreszeit
Führen Sie eine allgemeine Inspektion durch.	X		
Reinigen Sie das Produkt.	X		
Prüfen Sie die Startsperr*.	X		
Stellen Sie sicher, dass die Sicherheitsvorrichtungen am Produkt nicht beschädigt sind*.	X		
Prüfen Sie die Schneidaustrüstung.	X		
Prüfen Sie die Schneidewerkabdeckung*.	X		

LC 141iV, LC 141i und LC 141C	Nach jedem Einsatz	Monatlich	Zu jeder Jahreszeit
Führen Sie eine Prüfung des Motorbremsbügels durch*.	X		

Nur LC 141iV und LC 141i	Nach jedem Einsatz	Monatlich	Zu jeder Jahreszeit
Stellen Sie sicher, dass die EIN/AUS-Taste funktioniert und nicht defekt ist.	X		
Untersuchen Sie den Akku auf Schäden.	X		
Kontrollieren Sie den Ladezustand des Akkus.	X		
Stellen Sie sicher, dass die Entriegelungstasten am Akku richtig funktionieren und der Akku in das Produkt einrastet.	X		
Überprüfen Sie das Ladegerät auf Beschädigungen und stellen Sie sicher, dass es ordnungsgemäß funktioniert.		X	
Überprüfen Sie die Verbindungen zwischen dem Akku und dem Produkt. Überprüfen Sie auch die Verbindung zwischen dem Akku und dem Ladegerät.			X

So führen Sie eine allgemeine Inspektion durch

- Stellen Sie sicher, dass die Muttern und Schrauben am Produkt nicht beschädigt sind.
- Stellen Sie sicher, dass die Kabel an dem Produkt nicht so liegen, dass sie beschädigt werden könnten.

So reinigen Sie das Gerät

- Kunststoffteile mit einem sauberen und trockenen Tuch reinigen.
- Verwenden Sie kein Wasser zur Reinigung des Produkts. Wasser kann in den Akku oder den Motor eindringen und einen Kurzschluss oder andere Schäden am Produkt verursachen.
- Reinigen Sie das Gerät nicht mit einem Hochdruckreiniger.
- Lassen Sie kein Wasser direkt auf den Motor gelangen.
- Verwenden Sie einen Pinsel, um Blätter, Gras und Schmutz zu entfernen.

So reinigen Sie den Akku und das Ladegerät



ACHTUNG: Reinigen Sie weder den Akku noch das Ladegerät mit Wasser.

- Stellen Sie sicher, dass der Akku und das Ladegerät sauber und trocken sind, bevor Sie den Akku in das Ladegerät einlegen.

- Reinigen Sie die Akkuklemmen mit Druckluft oder einem weichen, trockenen Tuch.
- Reinigen Sie die Oberflächen des Akkus und des Ladegeräts mit einem weichen, trockenen Tuch.

So prüfen Sie die Schneidausrüstung



WARNUNG: Für Modelle LC 141iV und LC 141i: Um ein unbeabsichtigtes Starten zu verhindern, drehen Sie den Sicherheitsschlüssel auf „0“, entfernen Sie den Akku und warten Sie mindestens 5 Sekunden.

Für Modell LC 141C: Ziehen Sie das Netzkabel ab, um ein versehentliches Starten zu verhindern.



WARNUNG: Tragen Sie Schutzhandschuhe, wenn Sie an der Schneidausrüstung eine Wartung durchführen. Die Klinge ist sehr scharf und man schneidet sich sehr leicht.

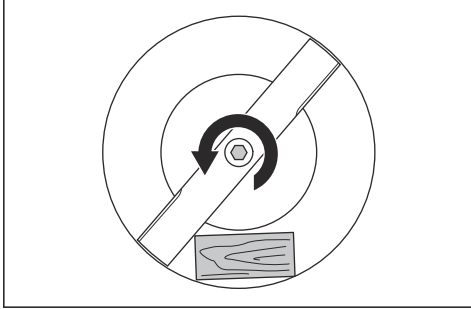
1. Prüfen Sie die Schneidausrüstung auf Beschädigungen oder Risse. Wechseln Sie eine beschädigte Schneidausrüstung unbedingt aus.
2. Schauen Sie sich die Klinge an, um festzustellen, ob sie beschädigt oder stumpf ist.

Hinweis: Nach dem Schärfen muss die Klinge ausbalanciert werden. Lassen Sie eine Servicewerkstatt

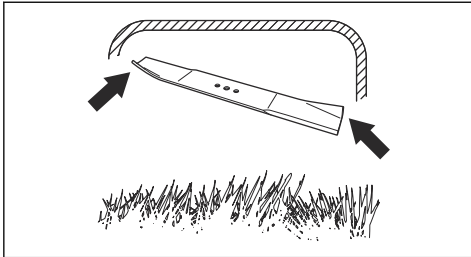
die Klinge schärfen, ersetzen und ausbalancieren. Wenn Sie auf ein Hindernis treffen, das das Produkt zum Halten bringt, ersetzen Sie die beschädigte Klinge. Lassen Sie die Werkstatt beurteilen, ob die Klinge geschliffen werden kann oder ersetzt werden muss.

So entfernen und ersetzen Sie die Klinge

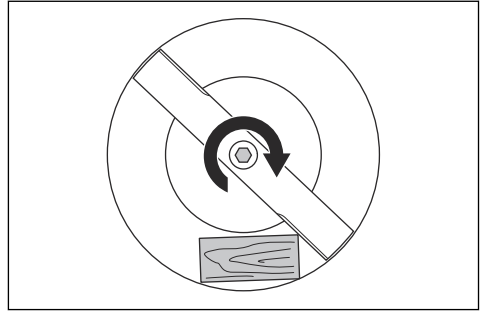
1. Arretieren Sie die Klinge mit einem Holzblock.



2. Entfernen Sie den Bolzen der Klinge.
3. Entfernen Sie die Klinge.
4. Prüfen Sie die Halterung und den Bolzen der Klinge, um festzustellen, ob Beschädigungen vorliegen.
5. Prüfen Sie die Motorwelle, um sicherzustellen, dass sie nicht geknickt ist.
6. Wenn Sie die neue Klinge montieren, zeigen die abgewinkelten Enden der Klinge in die Richtung der Schneidwerkabdeckung.



7. Stellen Sie sicher, dass die Klinge mit der Mitte der Motorwelle ausgerichtet ist.
8. Arretieren Sie die Klinge mit einem Holzblock. Befestigen Sie die Federscheibe, und ziehen Sie Schraube und Scheibe mit einem Drehmoment von 20 Nm fest.



9. Drehen Sie die Klinge mit der Hand, um sicherzustellen, dass sie sich einwandfrei dreht.



WARNUNG: Tragen Sie Sicherheitshandschuhe. Die Klinge ist sehr scharf, und man schneidet sich sehr leicht.

10. Starten Sie das Gerät, um die Klinge zu prüfen. Wenn die Klinge nicht richtig befestigt ist, gibt es im Gerät Vibrationen, oder das Schneidergebnis ist unbefriedigend.

Fehlerbehebung

Akku

LED-Anzeige am Akku	Ursache	Lösung
Die grüne LED blinkt.	Die Akkuspannung ist niedrig.	Den Akku laden. Siehe <i>So laden Sie den Akku auf Seite 129</i> .

LED-Anzeige am Akku	Ursache	Lösung
Die Fehler-LED blinkt.	Der Akku ist schwach.	Den Akku laden. Siehe <i>So laden Sie den Akku auf Seite 129</i> .
	Die Temperatur in der Arbeitsumgebung ist zu hoch oder zu niedrig.	Der Akku darf nur bei Temperaturen zwischen -10 und 40 °C verwendet werden.
	Überspannung.	Sicherstellen, dass die Netzspannung mit dem auf dem Typenschild des Geräts angezeigten Spannungswert übereinstimmt. Den Akku aus dem Ladegerät entnehmen. 5 Sekunden und warten und erneut versuchen, den Akku aufzuladen. Falls das Problem weiter besteht, eine autorisierte Servicewerkstatt kontaktieren.
Die Fehler-LED leuchtet.	Die Zellendifferenz ist zu groß (1 V).	Bitte eine autorisierte Servicewerkstatt kontaktieren.

Akkuladegerät

Die LED am Akkuladegerät	Ursache	Lösung
Die Fehler-LED blinkt.	Die Temperatur in der Arbeitsumgebung ist zu hoch oder zu niedrig.	Das Ladegerät darf nur in Umgebungen mit Temperaturen zwischen 5 und 40 °C verwendet werden.
Die Fehler-LED leuchtet.		Bitte eine autorisierte Servicewerkstatt kontaktieren.

Bedienfeld

Bei Problemen, die nicht in diesem Abschnitt behandelt werden, wenden Sie sich an Ihre Servicewerkstatt.

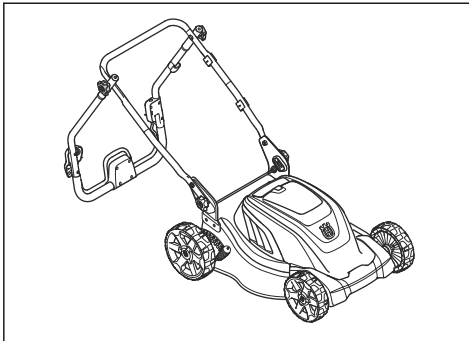
Tastatur	Mögliche Fehler	Mögliche Fehlerbehebung
Störungs-LED blinkt	Der Motor ist überlastet	Erhöhen Sie die Schnitthöhe. Siehe <i>So stellen Sie die Schnitthöhe ein auf Seite 129</i> .
	Die Motordrehzahl fällt zu stark ab und der Motor stoppt	
	Die Motorsteuerung ist zu heiß	Schalten Sie den Motor ab und warten Sie, bis er sich abgekühlt hat
	Die Klinge ist blockiert.	Um ein unbeabsichtigtes Starten zu verhindern, drehen Sie den Sicherheitsschlüssel auf 0, entfernen Sie den Akku und warten Sie mindestens 5 Sekunden. Stellen Sie sicher, dass die Klinge sich frei drehen kann. Falls das Problem weiterbesteht, wenden Sie sich an eine autorisierte Servicewerkstatt
	Akkufehler oder kein Signal vom Akku	Setzen Sie den Akku korrekt in das Produkt ein und untersuchen Sie den Akkuanschluss. Wenn die Fehler-LED am Akku blinkt, siehe <i>Akku auf Seite 135</i> .

Tastatur	Mögliche Fehler	Mögliche Fehlerbehebung
Das Produkt schaltet sich ab	Der Akku ist schwach	Laden Sie den Akku. Siehe <i>So laden Sie den Akku auf Seite 129</i> .
	Anschluss für den Akku defekt	Überprüfen Sie den Anschluss für den Akku

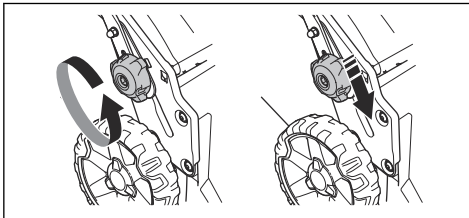
Transport, Lagerung und Entsorgung

So bringen Sie das Gerät in die Transportposition

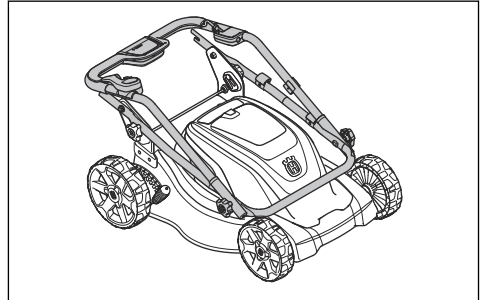
- Entfernen Sie den Grasfänger (falls vorhanden).
- Lösen Sie die Knöpfe auf dem oberen Griff und klappen Sie den Griff nach unten.



- Lösen Sie die unteren Drehknöpfe.
- Schieben Sie die Flügelmuttern zum unteren Ende der Nut an der linken und der rechten Seite des Produkts.



5. Klappen Sie den Griff nach vorn.



Transport

- Die enthaltenen Lithium-Ionen-Batterien unterliegen den gesetzlichen Bestimmungen zu gefährlichen Gütern.
- Für gewerbliche Transporte müssen besondere Anforderungen bei Verpackung und Kennzeichnung eingehalten werden.
- Stellen Sie sicher, dass Sie sich an die Vorschriften für gefährliche Güter halten, wenn Sie das Produkt für den Transport vorbereiten. Gegebenenfalls gelten örtliche Vorschriften.
- Entnehmen Sie die für den Transport stets den Akku.
- Decken Sie die Akkustecker mit Klebeband ab und stellen Sie sicher, dass der Akku sich während des Transports nicht bewegen kann.
- Sichern Sie das Produkt während des Transports.

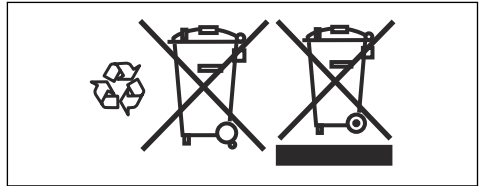
Lagerung

- Entnehmen Sie für die Lagerung stets den Akku.
- Stellen Sie zur Vermeidung von Unfällen sicher, dass der Akku während der Lagerung nicht an das Produkt angeschlossen bleibt.
- Bewahren Sie das Ladegerät an einem geschlossenen und trockenen Ort auf.
- Bewahren Sie den Akku und das Ladegerät an einem trockenen Ort ohne Feuchtigkeit oder Frost auf.
- Trennen Sie den Akku während der Lagerung vom Ladegerät.

- Lagern Sie den Akku nicht an einem Ort, an dem es zu elektrostatischen Entladungen kommen kann. Bewahren Sie den Akku nicht in einem Metallkasten auf.
- Lagern Sie den Akku an einem Ort mit einer Temperatur zwischen 5 und 25 °C und setzen Sie ihn nicht direkter Sonneneinstrahlung aus.
- Lagern Sie das Ladegerät an einem Ort mit einer Temperatur zwischen 5 und 45 °C und setzen Sie es nicht direkter Sonneneinstrahlung aus.
- Stellen Sie sicher, dass der Akkustand mindestens zwischen 30 und 50 % beträgt, bevor Sie das Produkt für längere Zeit einlagern.
- Bewahren Sie das Produkt, den Akku und das Ladegerät an einem verschließbaren Ort und für Kinder und unbefugte Personen unzugänglich auf.
- Reinigen Sie das Produkt und lassen Sie es vollständig warten, bevor Sie es längere Zeit einlagern.

über den Hausmüll entsorgt werden darf. Es ist einer entsprechenden Recycling-Einrichtung zuzuführen, damit elektrische und elektronische Komponenten wiedergewonnen werden können.

Dadurch, dass Sie sicherstellen, dass Sie mit diesem Produkt sorgfältig umgehen, können Sie helfen, den potentiellen negativen Auswirkungen auf die Umwelt und Ihre Mitmenschen entgegenzuwirken, die sich andernfalls durch eine unsachgemäße Entsorgung dieses Produkts ergeben können. Genauere Informationen über die ordnungsgemäße Entsorgung dieses Produkts erhalten Sie bei Ihrer Stadtverwaltung, Ihrem Abfallentsorgungsunternehmen oder dem Geschäft, in dem Sie Ihr Produkt gekauft haben.



Entsorgung

Durch Symbole auf dem Produkt oder seiner Verpackung wird angezeigt, dass dieses Produkt nicht

Technische Angaben

Technische Daten LC 141iV, LC 141i

	LC 141iV	LC 141i
Schneidmotor		
Motorart	BLDC (bürstenlos) 36 V	BLDC (bürstenlos) 36 V
Motordrehzahl – SavE, U/min	2.700	2.700
Motordrehzahl – Nennwert, U/min	3.100	3.100
Motordrehzahl – hohe Belastung, U/min	3.700	3.700
Motorleistung – max. kW	0,8	0,8
Motorleistung – Nennwert, kW	0,55	0,55
Antriebsmotor		
Motorleistung – Nennwert, kW	0,25	Nicht zutreffend
Eigene Gehgeschwindigkeit, km/h	3,0–4,5	Nicht zutreffend
Anpasswerte Geschwindigkeit	4	Nicht zutreffend
Gewicht		
Gewicht ohne Akku, kg	21,5	18,6
Batterie ²⁹		
Akkutyp	Husqvarna-Akkuserie	Husqvarna-Akkuserie
Akkulaufzeit		

²⁹ Für das beste Resultat und die beste Leistung wird der Akku Husqvarna BLi200 empfohlen.

	LC 141iV	LC 141i
Mindest-Akkulaufzeit (Leerlauf) bei aktiviertem SavE-Modus, mit einem Husqvarna 5,2-Ah-Akku (BLi200).	77	77
Mindest-Akkulaufzeit (Leerlauf) bei aktiviertem Standardmodus, mit einem Husqvarna 5,2-Ah-Akku (BLi200).	45	45
Geräuschemissionen ³⁰		
Schalleistungspegel, gemessen dB (A)	88	88
Garantierter Schalleistungspegel L _{WA} dB (A)	89	89
Schallpegel ³¹		
Schalldruckpegel am Ohr des Bedieners, dB (A)	83	83
Vibrationspegel ³²		
Griff, m/s ²	2,0	2,0
Ablängen		
Schnitthöhe, mm	25-70	25-70
Schnittbreite, cm	41	41
Klinge, Artikelnummer	Sammeln – 5011716-01	Sammeln – 5011716-01
Grasfänger, Volumen, Liter	50	50

Zugelassene Akkus	Marke	Typ	Akkukapazität, Ah	Spannung, V	Gewicht, lb/kg
BLi10	Husqvarna	Lithium-Ionen	2,0	36	1,8/0,8
BLi100	Husqvarna	Lithium-Ionen	2,6	36	1,9/0,8
BLi20	Husqvarna	Lithium-Ionen	4,0	36	2,7/1,2
BLi200	Husqvarna	Lithium-Ionen	5,2	36	2,8/1,3
BLi300	Husqvarna	Lithium-Ionen	9,4	36	4,1/1,9

Zugelassene Ladegeräte für die angegebenen Akkus,	Marke	Eingangsspannung, V	Frequenz, Hz	Leistung, W
QC80	Husqvarna	100-240	50-60	80
QC80F	Husqvarna	12	0	80
QC250	Husqvarna	220-240	50	250

³⁰ Umweltbelastende Geräuschemissionen, gemessen als Schalleistung (L_{WA}) gemäß EG-Richtlinie 2000/14/EG.

³¹ Berichten zufolge liegt der Schalldruckpegel normalerweise bei einer Ausbreitungsklasse (Standardabweichung) von 1,2 dB (A).

³² Berichten zufolge liegt der Vibrationspegel normalerweise bei einer Ausbreitungsklasse (Standardabweichung) von 0,2 m/s².

Zugelassene Ladegeräte für die angegebenen Akkus,	Marke	Eingangsspannung, V	Frequenz, Hz	Leistung, W
QC330	Husqvarna	100-240	50-60	330
QC500	Husqvarna	100-240	50-60	500

Technische Daten LC 141C

LC 141C	
Motor	
Motortyp	Wechselstrommotor
Motordrehzahl – Nennwert, U/min	3.200
Leistung	1.800 W
Stromquelle	Kabelgebunden, elektrisch
Netzkabel (im Lieferumfang für den britischen Markt enthalten)	
Kabeltyp	16-m-Verlängerungskabel
Gewicht, kg	1,6
Gewicht	
Gewicht, kg	20,4
Geräuschemissionen ³³	
Schalleistungspegel, gemessen dB (A)	93
Schalleistungspegel, garantiert L _{WA} dB (A)	95
Schallpegel ³⁴	
Schalldruckpegel am Ohr des Bedieners, dB (A)	85
Vibrationswerte ³⁵	
Griff, m/s ²	2,0
Mähen	
Schnitthöhe, mm	25-70
Schnittbreite, cm	41
Klinge, Artikelnummer	Sammeln 5011716-01
Grasfänger, Volumen, Liter	50

³³ Umweltbelastende Geräuschemissionen, gemessen als Schalleistung (L_{WA}) gemäß EG-Richtlinie 2000/14/EG.

³⁴ Berichten zufolge liegt der Schalldruckpegel normalerweise bei einer Ausbreitungsklasse (Standardabweichung) von 1,4 dB (A).

³⁵ Berichten zufolge liegt der Vibrationspegel normalerweise bei einer Ausbreitungsklasse (Standardabweichung) von 0,2 m/s².

EU-Konformitätserklärung

EU-Konformitätserklärung

Husqvarna AB, SE-561 82 Huskvarna, Schweden, Tel.: +46-36-146500, erklärt hiermit, dass die **Rasenmäher Husqvarna LC 141iV und LC 141i** ab Seriennummer 2018XXXXXXX und **Husqvarna LC 141C** ab Seriennummer 2015XXXXXXX den Anforderungen der RICHTLINIE DES RATES entsprechen:

- Richtlinie zur „Beschränkung der Verwendung bestimmter gefährlicher Stoffe“, **2011/65/EU** vom 8. Juni 2011
- „Maschinen-Richtlinie“ **2006/42/EG** vom 17. Mai 2006
- Richtlinie „über elektromagnetische Verträglichkeit“, **2014/30/EU** vom 26. Februar 2014
- „Richtlinie über umweltbelastende Geräuschemissionen von zur Verwendung im Freien vorgesehenen Geräten und Maschinen“ **2000/14/EG** vom 8. Mai 2000

Informationen zu Geräuschemissionen finden Sie im Kapitel mit den technischen Daten.

Für die Zertifizierung von Husqvarna LC 141iV und LC 141i wurden folgende Normen angewendet: **IEC 60335-2-77:2002, IEC 60335-1:2010+A1:2013, EN 55014-1:2017, EN 55014-2:2015, EN 61000-3-2:2014, EN 61000-3-3:2013, EN 62233:2008**

Für die Zertifizierung von Husqvarna LC 141C wurden folgende Normen angewendet: **EN 60335-1:2012+A11:2014, EN 60335-2-77:2010, EN 62233:2008, EN 55014-1:2017+A11, EN 55014-2:2015, EN 61000-3-2:2019, EN 61000-3-11:2019**

Benannte Stelle: **0404, RISE SMP Svensk Maskinprovning AB, Box 7035, SE-750 07 Uppsala** hat eine Konformitätsbewertung gemäß Anhang VI der Richtlinie 2000/14/EG durchgeführt.

Huskvarna, 2020-10-13



Claes Losdal, Entwicklungsleiter/Gartenprodukte
(Bevollmächtigter Vertreter für Husqvarna AB,
verantwortlich für die technische Dokumentation)

Περιεχόμενα

Εισαγωγή.....	142	Αντιμετώπιση προβλημάτων.....	165
Ασφάλεια.....	146	Μεταφορά, αποθήκευση και απόρριψη.....	166
Συναρμολόγηση.....	155	Τεχνικά στοιχεία.....	168
Λειτουργία.....	157	Δήλωση Συμμόρφωσης ΕΚ.....	171
Συντήρηση.....	163		

Εισαγωγή

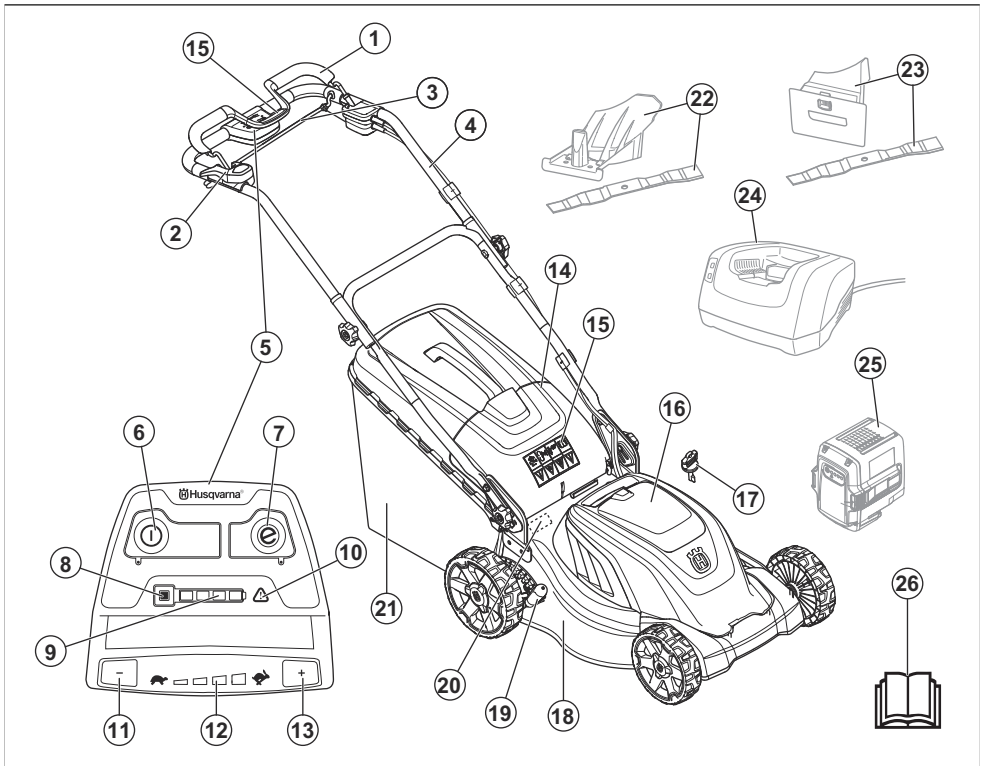
Περιγραφή προϊόντος

Το προϊόν είναι ένα χλοοκοπτικό γκαζόν πεζού χειριστή με κύλινδρο. Το γρασίδι συλλέγεται σε έναν συλλέκτη χόρτου. Αφαιρέστε το συλλέκτη χόρτου για να εξαγάγετε το χόρτο από την πίσω πλευρά. Συνδέστε ένα κιτ κοπής χορτολιπάσματος (αξεσουάρ) για κοπή του γρασιδιού σε λίσασμα.

Προβλεπόμενη χρήση

Χρησιμοποιήστε το προϊόν για την κοπή γρασιδιού. Μην χρησιμοποιείτε το προϊόν για άλλες εργασίες.

Επισκόπηση προϊόντος LC 141iV / LC 141i

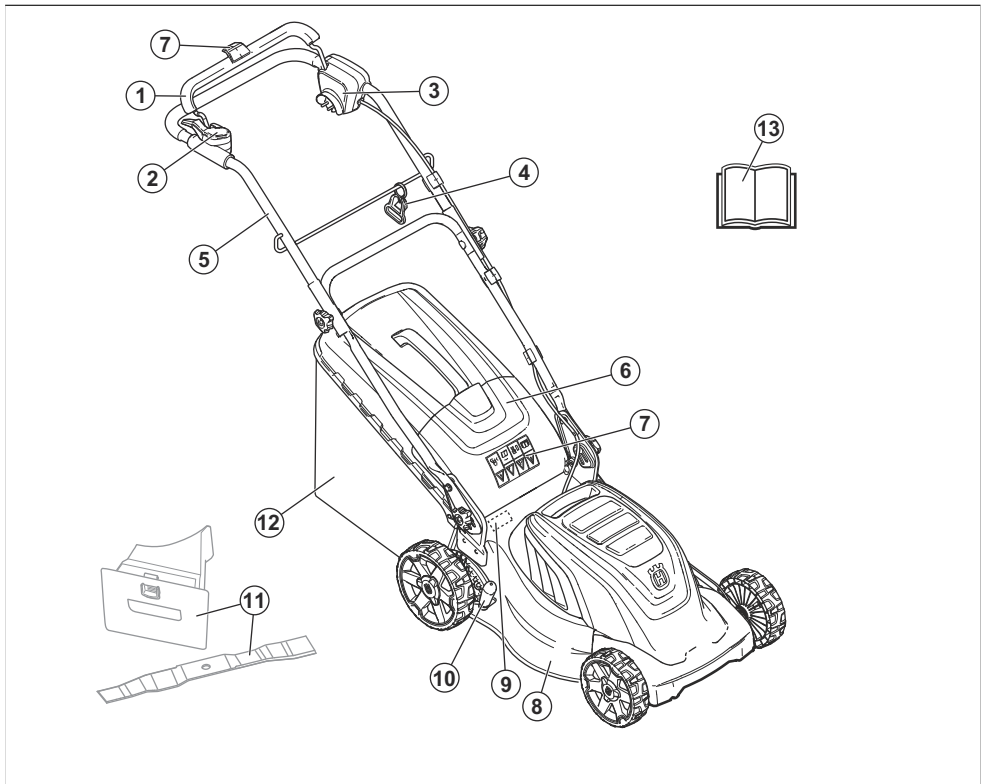


1. Λαβή φρένου κινητήρα
2. Αναστολέας εκκίνησης
3. Ασφάλεια οδήγησης (LC 141iV)
4. Λαβή / χειρολαβή
5. Ταμπλό ελέγχου
6. Κουμπί ON/OFF

7. Κουμπί SavE
8. Κουμπί ένδειξης μπαταρίας
9. Ένδειξη φόρτισης μπαταρίας
10. Προειδοποιητική λυχνία (LED ΣΦΑΛΜΑΤΟΣ)
11. Κουμπί μείωσης ταχύτητας (LC 141iV)
12. Ένδειξη επιπέδου ταχύτητας (LC 141iV)
13. Κουμπί αύξησης ταχύτητας (LC 141iV)
14. Πίσω κάλυμμα
15. Σύμβολα
16. Καπάκι μπαταρίας
17. Κλειδί ασφαλείας

18. Κάλυμμα κοπής
19. Μοχλός ρύθμισης του ύψους κοπής
20. Πινακίδα στοιχείων
21. Συλλέκτης χόρτου
22. Κιτ κοπής χορτολιπάσματος (παρελκόμενο για LC 141iV)
23. Κιτ κοπής χορτολιπάσματος (παρελκόμενο για LC 141i)
24. Φορτιστής μπαταρίας (αξεσουάρ)
25. Μπαταρία (αξεσουάρ)
26. Εγχειρίδιο χρήσης

Επισκόπηση προϊόντος LC 141C



- | | |
|---|---|
| <ol style="list-style-type: none"> 1. Λαβή φρένου κινητήρα 2. Αναστολέας εκκίνησης 3. Υποδοχή σύνδεσης καλωδίου ρεύματος 4. Στήριγμα καλωδίου ρεύματος 5. Λαβή / χειρολαβή 6. Πίσω κάλυμμα 7. Σύμβολα 8. Κάλυμμα κοπής 9. Πινακίδα στοιχείων | <ol style="list-style-type: none"> 10. Μοχλός ρύθμισης του ύψους κοπής 11. Πώμα χορτολιπάσματος (αξεσουάρ) 12. Συλλέκτης χόρτου 13. Εγχειρίδιο χρήσης |
|---|---|

Σύμβολα στο προϊόν



Μπορεί να προκληθεί τραυματισμός ή θάνατος του χειριστή ή των παρευρισκόμενων αν το προϊόν δεν χρησιμοποιείται προσεκτικά και σωστά.



Διαβάστε το εγχειρίδιο χρήσης και βεβαιωθείτε ότι έχετε κατανοήσει τις οδηγίες προτού χρησιμοποιήσετε αυτό το προϊόν.



Διατηρήστε τα άλλα άτομα και τα ζώα σε απόσταση ασφαλείας από την περιοχή εργασίας.



Προσέχετε για αντικείμενα που μπορεί να εκτοξευθούν ή να εξοστρακιστούν.



Προειδοποίηση: Να διατηρείτε τα χέρια και τα πόδια σας μακριά από την περιστρεφόμενη λεπίδα.



Προειδοποίηση: Να διατηρείτε τα χέρια και τα πόδια σας μακριά από κινούμενα μέρη.



Προτού εκτελέσετε εργασίες συντήρησης στο προϊόν, αφαιρέστε το κλειδί ασφαλείας. (μοντέλο LC 141iV/ LC 141i)



Προτού εκτελέσετε εργασίες συντήρησης στο προϊόν, αποσυνδέστε το από την πρίζα. (μοντέλο LC 141C)

IPX1

IPX1 - Το προϊόν διαθέτει προστασία από σταλάζον νερό (μοντέλο LC 141iV/LC 141i)

IPX4

IPX4 - Το προϊόν διαθέτει προστασία από εκτινασσόμενο νερό (μοντέλο LC 141C)



Μην αφήνετε να πέσει βροχή πάνω στο προϊόν (μοντέλο LC 141iV/ LC 141i)




Προειδοποίηση: Μην χρησιμοποιείτε το προϊόν περνώντας το πάνω από το καλώδιο ρεύματος, καθώς μπορεί να προκληθεί ηλεκτροπληξία ή ζημιά στο προϊόν. (μοντέλο LC 141C)

CE Αυτό το προϊόν συμμορφώνεται με τις ισχύουσες οδηγίες ΕΚ.

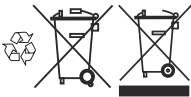


Εκπομπές θορύβου στο περιβάλλον σύμφωνα με την Οδηγία της Ευρωπαϊκής Κοινότητας. Οι εκπομπές του προϊόντος ορίζονται στο κεφάλαιο "Τεχνικά στοιχεία", καθώς και στην πινακίδα του.

 Συνεχές ρεύμα. 36V



Διπλή μόνωση.



Ανακυκλώστε αυτό το προϊόν σε κέντρο ανακύκλωσης ηλεκτρικού και ηλεκτρονικού εξοπλισμού. (Ισχύει μόνο για την Ευρώπη)



Διαδικασία εκκίνησης για το μοντέλο LC 141iV/ LC 141i: Πατήστε το κουμπί ON/OFF, χαλαρώστε τον αναστολέα εκκίνησης, πιέστε προς τα κάτω τη λαβή του φρένου κινητήρα.



Διαδικασία εκκίνησης για το μοντέλο LC 141C: Χαλαρώστε τον αναστολέα εκκίνησης, πιέστε προς τα κάτω τη λαβή του φρένου κινητήρα.



Για να διακόψετε τη λειτουργία, αφήστε τη λαβή του φρένου κινητήρα.



Αργά



Γρήγορα



Κωδικός με δυνατότητα σάρωσης

Περιεχόμενα Άλλα σύμβολα/σήματα που υπάρχουν στο προϊόν αναφέρονται σε απαιτήσεις πιστοποίησης για ορισμένες αγορές.

Ευθύνη προϊόντος

Όπως αναφέρεται στη νομοθεσία περί ευθύνης για τα προϊόντα, δεν φέρουμε καμία ευθύνη για ζημιές που οφείλονται στο προϊόν μας εάν:

- Το προϊόν έχει επισκευαστεί λανθασμένα.
- Το προϊόν έχει επισκευαστεί με εξαρτήματα που δεν προέρχονται από τον κατασκευαστή ή που δεν έχουν εγκριθεί από τον κατασκευαστή.
- Το προϊόν διαθέτει ένα αξεσουάρ που δεν προέρχεται από τον κατασκευαστή ή που δεν έχει εγκριθεί από τον κατασκευαστή.
- Το προϊόν δεν έχει επισκευαστεί σε εγκεκριμένο κέντρο σέρβις ή από εγκεκριμένη αρχή.

Ασφάλεια

Ορισμοί για την ασφάλεια

Για την επισήμανση ειδικών σημαντικών τμημάτων του εγχειριδίου χρησιμοποιούνται προειδοποιήσεις, συστάσεις προσοχής και σημειώσεις.



ΠΡΟΕΙΔΟΠΟΙΗΣΗ: Χρησιμοποιείται όταν υπάρχει κίνδυνος τραυματισμού ή θανάτου του χειριστή ή άλλων παριστάμενων ατόμων, αν δεν τηρηθούν οι οδηγίες που παρέχονται στο εγχειρίδιο.



ΠΡΟΣΟΧΗ: Χρησιμοποιείται όταν υπάρχει κίνδυνος πρόκλησης ζημιάς στο προϊόν, σε άλλα υλικά ή στον παρακείμενο χώρο, αν δεν τηρηθούν οι οδηγίες που παρέχονται στο εγχειρίδιο.

Περιεχόμενα Χρησιμοποιείται για παροχή περισσότερων πληροφοριών, οι οποίες χρειάζονται σε μια δεδομένη κατάσταση.

Γενικές οδηγίες ασφαλείας



ΠΡΟΕΙΔΟΠΟΙΗΣΗ: Προτού χρησιμοποιήσετε το προϊόν, διαβάστε τις παρακάτω προειδοποιητικές οδηγίες.

- Αυτό το προϊόν είναι επικίνδυνο αν δεν χρησιμοποιηθεί σωστά ή αν δεν είστε προσεκτικοί. Αν δεν τηρείτε τις οδηγίες ασφαλείας,

μπορεί να προκληθεί τραυματισμός ή θάνατος.

- Αυτό το προϊόν παράγει ηλεκτρομαγνητικό πεδίο κατά τη λειτουργία του. Το πεδίο αυτό, υπό ορισμένες συνθήκες, μπορεί να προκαλέσει παρεμβολές σε ενεργά ή παθητικά ιατρικά εμφυτεύματα. Για να μειωθεί ο κίνδυνος σοβαρών ή θανατηφόρων τραυματισμών, συνιστούμε στα άτομα με ιατρικά εμφυτεύματα να συμβουλευονται το θεράποντα ιατρό τους και τον κατασκευαστή του ιατρικού εμφυτεύματος, προτού θέσουν το προϊόν σε λειτουργία.
- Πρέπει πάντα να προσέχετε και να χρησιμοποιείτε την κοινή λογική. Αν δεν είστε βέβαιοι πώς να χειριστείτε το προϊόν σε μια ιδιαίτερη κατάσταση, σταματήστε και μιλήστε με τον αντιπρόσωπο της Husqvarna προτού συνεχίσετε.

- Πρέπει να θυμάστε ότι ο χειριστής θεωρείται υπεύθυνος για ατυχήματα που μπορεί να προκληθούν σε άλλα άτομα ή στην περιουσία τους.
- Να διατηρείτε το προϊόν καθαρό. Βεβαιωθείτε ότι μπορείτε να διαβάσετε καθαρά τις ενδείξεις και τα σήματα.
- Μην επιτρέπετε ποτέ σε παιδιά ή άλλα άτομα, που δεν έχουν εξοικειωθεί με αυτές τις οδηγίες, να χρησιμοποιήσουν τη συσκευή. Οι τοπικές διατάξεις μπορεί να θέτουν περιορισμούς στην ηλικία του χρήστη
- Αν το προϊόν χρησιμοποιείται από ένα άτομο με μειωμένη σωματική ή διανοητική ικανότητα, θα πρέπει πάντα να το επιβλέπετε. Πρέπει να είναι παρών ένας υπεύθυνος ενήλικας ανά πάσα στιγμή.
- Μην χρησιμοποιείτε το προϊόν αν είστε κουρασμένοι, άρρωστοι ή υπό την επήρεια αλκοόλ, ναρκωτικών ή φαρμάκων. Αυτά έχουν αρνητικές συνέπειες στην όραση, την αυτοσυγκέντρωση, τον συντονισμό και την κρίση σας.
- Μην χρησιμοποιείτε το προϊόν αν είναι ελαττωματικό.

- Μην τροποποιείτε το προϊόν και μην το χρησιμοποιείτε αν είναι εμφανές ότι έχει τροποποιηθεί από άλλους.

Ασφάλεια στο χώρο εργασίας



ΠΡΟΕΙΔΟΠΟΙΗΣΗ:

Προτού χρησιμοποιήσετε το προϊόν, διαβάστε τις παρακάτω προειδοποιητικές οδηγίες.

- Αφαιρέστε αντικείμενα όπως κλαδιά, κλωνάρια και πέτρες από την περιοχή εργασίας πριν χρησιμοποιήσετε το προϊόν.
- Τα αντικείμενα που χτυπούν πάνω στον εξοπλισμό κοπής μπορεί να πεταχτούν και να προκαλέσουν ζημιές σε πρόσωπα και αντικείμενα. Να διατηρείτε τους παρευρισκόμενους και τα ζώα σε απόσταση ασφαλείας από το προϊόν.
- Μην χρησιμοποιείτε ποτέ το προϊόν σε κακές καιρικές συνθήκες, όπως ομίχλη, βροχή, ισχυρό άνεμο, έντονο κρύο και κίνδυνο κεραυνού. Η χρήση του προϊόντος σε κακές καιρικές συνθήκες, σε συνθήκες υγρασίας ή σε υγρές τοποθεσίες είναι εξαιρετικά

κουραστική. Οι κακές καιρικές συνθήκες μπορεί να προκαλέσουν επικίνδυνες καταστάσεις, όπως ολισθηρές επιφάνειες.

- Να προσέχετε για πρόσωπα, αντικείμενα και καταστάσεις που μπορεί να αποτρέψουν την ασφαλή λειτουργία του προϊόντος.
- Να προσέχετε για εμπόδια, όπως ρίζες, πέτρες, κλωνάρια, λακούβες και χαντάκια. Το μακρύ γρασίδι μπορεί να κρύβει εμπόδια.
- Η κοπή χόρτου σε πλαγιές μπορεί να είναι επικίνδυνη. Μην εκτελείτε χλοοκοπή σε υπερβολικά απότομες πλαγιές. Μην χρησιμοποιείτε το προϊόν σε πλαγιές με κλίση πάνω από 15°.
- Απαιτείται ιδιαίτερη προσοχή κατά την αλλαγή κατεύθυνσης σε πλαγιές. Να κατευθύνετε το προϊόν κατά πλάτος στις επιφάνειες με κλίση. Να μην μετακινείστε προς τα πάνω και προς τα κάτω.
- Να είστε ιδιαίτερα προσεκτικοί κοντά σε κρυφές γωνίες και αντικείμενα που εμποδίζουν το οπτικό σας πεδίο.

Ασφάλεια στην εργασία



ΠΡΟΕΙΔΟΠΟΙΗΣΗ:

Προτού χρησιμοποιήσετε το προϊόν, διαβάστε τις παρακάτω προειδοποιητικές οδηγίες.

- Να χρησιμοποιείτε το προϊόν μόνο για την κοπή χόρτου γκαζόν. Δεν επιτρέπεται η χρήση του για άλλες εργασίες.
- Χρησιμοποιείτε ατομικό προστατευτικό εξοπλισμό. Ανατρέξτε στην ενότητα *Προσωπικός εξοπλισμός προστασίας στη σελίδα 150*.
- Βεβαιωθείτε ότι γνωρίζετε πώς να σταματήσετε τον κινητήρα γρήγορα σε περίπτωση έκτακτης ανάγκης.
- Μην χρησιμοποιείτε το προϊόν σε συνθήκες βροχής ή υγρασίας. Αν εισέλθει νερό στο προϊόν, αυξάνεται ο κίνδυνος ηλεκτροπληξίας.
- Μην λειτουργείτε το προϊόν αν δεν είναι σωστά συνδεδεμένη η λεπίδα και όλα τα καλύμματα. Αν η λεπίδα δεν είναι σωστά συνδεδεμένη, μπορεί να χαλαρώσει και να προκληθεί προσωπικός τραυματισμός.
- Να βεβαιώνετε ότι ο δίσκος δεν χτυπάει αντικείμενα, όπως

- πέτρες και ρίζες. Αυτό μπορεί να προκαλέσει ζημιά στη λεπίδα και να λυγίσει τον άξονα του κινητήρα. Ο λυγισμένος άξονας προκαλεί ισχυρή δόνηση και πολύ υψηλό κίνδυνο χαλάρωσης της λεπίδας.
- Σε περίπτωση πρόσκρουσης της λεπίδας σε αντικείμενο ή αν διαπιστώσετε κραδασμούς, διακόψτε αμέσως τη λειτουργία του προϊόντος. Σβήστε τον κινητήρα, γυρίστε το κλειδί ασφαλείας στο "0" και αφαιρέστε την μπαταρία (μοντέλα LC 141iV και LC 141i) ή αποσυνδέστε το καλώδιο ρεύματος (μοντέλο LC 141C). Ελέγξτε το προϊόν για ζημιές. Επισκευάστε τις ζημιές ή αναθέστε την επισκευή σε έναν εξουσιοδοτημένο αντιπρόσωπο σέρβις.
 - Μην συνδέετε ποτέ μόνιμα τη λαβή φρένου του κινητήρα στη λαβή όταν έχει εκκινηθεί ο κινητήρας.
 - Τοποθετήστε το προϊόν σε μια σταθερή, επίπεδη επιφάνεια και εκκινήστε το. Να βεβαιώνετε ότι η λεπίδα δεν χτυπάει στο έδαφος ή σε άλλα αντικείμενα.
 - Να παραμένετε πάντα πίσω από το προϊόν κατά τη λειτουργία.
 - Κατά τη λειτουργία του προϊόντος, θα πρέπει όλοι οι τροχοί να ακουμπούν στο έδαφος και να διατηρείτε και τα 2 χέρια πάνω στη λαβή. Διατηρήστε τα χέρια και τα πόδια σας μακριά από τις περιστρεφόμενες λεπίδες.
 - Μην γέρνετε το προϊόν όταν έχει εκκινηθεί ο κινητήρας.
 - Να είστε προσεκτικοί όταν τραβάτε το προϊόν προς τα πίσω.
 - Μην ανασηκώνετε ποτέ το προϊόν όταν έχει εκκινηθεί ο κινητήρας. Εάν πρέπει να ανασηκώσετε το προϊόν, σβήστε πρώτα τον κινητήρα, γυρίστε το κλειδί ασφαλείας στο "0" και αφαιρέστε την μπαταρία (μοντέλα LC 141iV και LC 141i) ή αποσυνδέστε το καλώδιο ρεύματος (μοντέλο LC 141C).
 - Μην περπατάτε προς τα πίσω όταν χρησιμοποιείτε το προϊόν.
 - Σβήστε τον κινητήρα όταν κινείστε σε περιοχές χωρίς χόρτα, για παράδειγμα μονοπάτια από χαλίκι, πέτρα και άσφαλτο.
 - Μην τρέχετε με το προϊόν όταν έχει εκκινηθεί ο κινητήρας. Να περπατάτε πάντα προς τα εμπρός όταν χρησιμοποιείτε το προϊόν.

- Σβήστε τον κινητήρα προτού αλλάξετε το ύψος κοπής. Μην προβαίνετε ποτέ σε ρυθμίσεις ενώ έχει εκκινηθεί ο κινητήρας.
- Μην αφήνετε ποτέ το προϊόν εκτός του οπτικού σας πεδίου ενώ έχει εκκινηθεί ο κινητήρας. Βεβαιωθείτε ότι ο εξοπλισμός κοπής δεν περιστρέφεται, προτού σβήσετε τον κινητήρα.

Οδηγίες ασφαλείας για τη λειτουργία

Προσωπικός εξοπλισμός προστασίας



ΠΡΟΕΙΔΟΠΟΙΗΣΗ:
Προτού χρησιμοποιήσετε το προϊόν, διαβάστε τις παρακάτω προειδοποιητικές οδηγίες.

- Ο προσωπικός εξοπλισμός προστασίας δεν μπορεί να εξαλείψει τον κίνδυνο τραυματισμών, ωστόσο μειώνει τη σοβαρότητά τους σε περίπτωση ατυχήματος. Ο αντιπρόσωπος θα σας βοηθήσει να επιλέξετε το σωστό εξοπλισμό.
- Να χρησιμοποιείτε αντιολισθητικές μπότες ή παπούτσια βαρέος τύπου. Να μην χρησιμοποιείτε το προϊόν

με ανοιχτά παπούτσια ή ξυπόλυτοι.

- Χρησιμοποιήστε χοντρά, μακριά παντελόνια.
- Όταν χρειάζεται, να χρησιμοποιείτε προστατευτικά γάντια, για παράδειγμα κατά την τοποθέτηση, την επιθεώρηση ή τον καθαρισμό του εξοπλισμού κοπής.

Συσκευές ασφαλείας στο προϊόν



ΠΡΟΕΙΔΟΠΟΙΗΣΗ: Προτού χρησιμοποιήσετε το προϊόν, διαβάστε τις παρακάτω προειδοποιητικές οδηγίες.

- Μην χρησιμοποιείτε ποτέ το προϊόν, αν υπάρχουν ελαττωματικές συσκευές ασφαλείας.
- Πρέπει να κάνετε τακτικά έλεγχο των συσκευών ασφαλείας. Αν οι συσκευές ασφαλείας είναι ελαττωματικές, απευθυνθείτε στον αντιπρόσωπο σέρβις της Husqvarna.

Για τον έλεγχο του καλύμματος κοπής

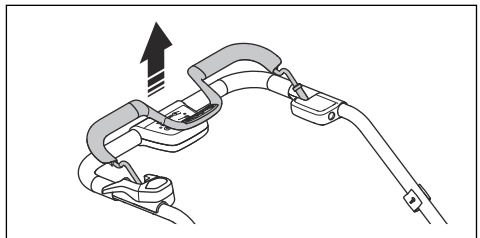
Το κάλυμμα κοπής μειώνει τους κραδασμούς στο προϊόν και μειώνεται ο κίνδυνος τραυματισμού από τη λεπίδα.

- Εξετάστε το κάλυμμα κοπής για να βεβαιωθείτε ότι δεν υπάρχουν φθορές όπως ρωγμές.

Λαβή φρένου κινητήρα

Χρησιμοποιήστε τη λαβή φρένου του κινητήρα, για να σβήσετε τον κινητήρα. Εάν απελευθερώσετε τη λαβή φρένου του κινητήρα, ο κινητήρας σβήνει.

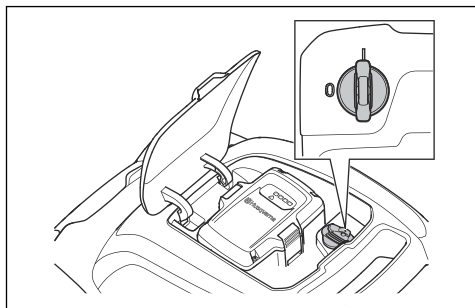
Για να ελέγξετε το φρένο του κινητήρα, εκκινήστε τον κινητήρα και, στη συνέχεια, απελευθερώστε τη λαβή φρένου του κινητήρα. Αν ο κινητήρας δεν σβήσει εντός 3 δευτερολέπτων, απευθυνθείτε σε έναν εγκεκριμένο αντιπρόσωπο σέρβις της Husqvarna για τη ρύθμιση του φρένου του κινητήρα.



Κλειδί ασφαλείας (μοντέλα LC 141IV και LC 141I)

Το κλειδί ασφαλείας βρίσκεται κάτω από το καπάκι της μπαταρίας. Το κλειδί ασφαλείας συνδέει την μπαταρία που τροφοδοτεί με ρεύμα τον κινητήρα.

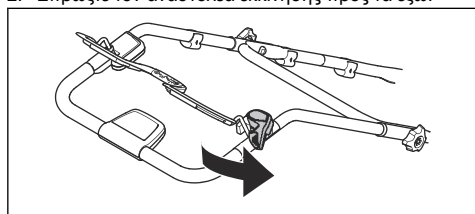
- Για να ελέγξετε το κλειδί ασφαλείας, εκκινήστε και σβήστε τον κινητήρα.
- Αν το κλειδί ασφαλείας λειτουργεί σωστά, ο κινητήρας εκκινείται μόνο όταν γυρίζετε το κλειδί στη θέση "1".



Έλεγχος αναστολέα εκκίνησης

Ελέγξτε τον αναστολέα εκκίνησης για να βεβαιωθείτε ότι εμποδίζει τη λειτουργία του κινητήρα.

1. Σπρώξτε τη λαβή φρένου του κινητήρα προς την κατεύθυνση της χειρολαβής. Ο αναστολέας εκκίνησης σταματά να κινείται.
2. Σπρώξτε τον αναστολέα εκκίνησης προς τα έξω.



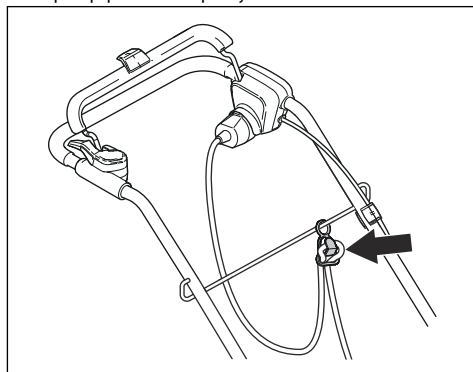
3. Αφήστε τον αναστολέα εκκίνησης και βεβαιωθείτε ότι επιστρέφει στην αρχική του θέση.

Χρήση του στηρίγματος του καλωδίου ρεύματος (μοντέλο LC 141C)

Το στηρίγμα του καλωδίου ρεύματος μειώνει τη μηχανική καταπόνηση της υποδοχής σύνδεσης και του καλωδίου ρεύματος. Το στηρίγμα του καλωδίου ρεύματος μειώνει επίσης τον κίνδυνο πτώσης σας.

1. Λυγίστε το καλώδιο ρεύματος ώστε να σχηματίσει μια μικρή θηλιά.
2. Τοποθετήστε τη θηλιά στην οπή του στηρίγματος του καλωδίου ρεύματος.
3. Τοποθετήστε τη θηλιά γύρω από το γάντζο.

4. Τραβήξτε το καλώδιο ρεύματος για να σφίξετε τη θηλιά γύρω από το γάντζο.



Ασφάλεια μπαταρίας



ΠΡΟΕΙΔΟΠΟΙΗΣΗ:

Προτού χρησιμοποιήσετε το προϊόν, διαβάστε τις παρακάτω προειδοποιητικές οδηγίες.

- Χρησιμοποιείτε επαναφορτιζόμενες μπαταρίες της Husqvarna ως πηγή ηλεκτρικής ισχύος μόνο για τα σχετικά προϊόντα της Husqvarna. Για την αποφυγή τραυματισμών, μην χρησιμοποιείτε την μπαταρία ως πηγή ηλεκτρικής ισχύος για άλλες συσκευές.
- Μην χρησιμοποιείτε μη επαναφορτιζόμενες μπαταρίες.
- Κίνδυνος ηλεκτροπληξίας. Μη συνδέετε τους ακροδέκτες της μπαταρίας σε κλειδιά, νομίσματα, βίδες ή άλλα

μεταλλικά αντικείμενα. Αυτό μπορεί να προκαλέσει βραχυκύκλωμα της μπαταρίας.

- Μην τοποθετείτε αντικείμενα μέσα στις εγκοπές αερισμού της μπαταρίας.
- Διατηρείτε την μπαταρία μακριά από την ηλιακή ακτινοβολία, τη θερμότητα ή τις γυμνές φλόγες. Η μπαταρία μπορεί να εκραγεί και να προκαλέσει εγκαύματα ή/και χημικά εγκαύματα.
- Διατηρείτε την μπαταρία μακριά από συνθήκες βροχής και υγρασίας.
- Διατηρείτε την μπαταρία μακριά από πηγές μικροκυμάτων και υψηλής πίεσης.
- Μην προσπαθήσετε να αποσυναρμολογήσετε ή να διαλύσετε την μπαταρία.
- Αν η μπαταρία εμφανίσει διαρροή, φροντίστε το υγρό να μην έρθει σε επαφή με το δέρμα ή τα μάτια σας. Αν έρθετε σε επαφή με το υγρό, καθαρίστε την περιοχή με μεγάλη ποσότητα νερού και ζητήστε ιατρική βοήθεια.
- Χρησιμοποιείτε την μπαταρία σε θερμοκρασίες μεταξύ -10°C και 40°C .
- Μην καθαρίζετε την μπαταρία ή το φορτιστή μπαταρίας με

νερό. Ανατρέξτε στην ενότητα *Για να καθαρίσετε την μπαταρία και το φορτιστή μπαταρίας στη σελίδα 164.*

- Μην χρησιμοποιείτε ελαττωματικές ή κατεστραμμένες μπαταρίες.
- Φυλάσσετε τις μπαταρίες μακριά από μεταλλικά αντικείμενα, όπως καρφιά, νομίσματα και κοσμήματα.

Ασφάλεια φορτιστή μπαταρίας



ΠΡΟΕΙΔΟΠΟΙΗΣΗ:

Προτού χρησιμοποιήσετε το προϊόν, διαβάστε τις παρακάτω προειδοποιητικές οδηγίες.

- Χρησιμοποιείτε τους φορτιστές μπαταρίας QC για να φορτίζετε μόνο τις ανταλλακτικές μπαταρίες της Husqvarna.
- Κίνδυνος ηλεκτροπληξίας ή βραχυκυκλώματος. Μην τοποθετείτε αντικείμενα μέσα στις εγκοπές αερισμού του φορτιστή. Μην επιχειρείτε να αποσυναρμολογήσετε το φορτιστή μπαταρίας. Μην συνδέετε ποτέ τους ακροδέκτες του φορτιστή σε μεταλλικά αντικείμενα. Χρησιμοποιήστε μια εγκεκριμένη πρίζα.

- Αυτό το προϊόν παράγει ηλεκτρομαγνητικό πεδίο κατά τη λειτουργία του. Το πεδίο αυτό, υπό ορισμένες συνθήκες, μπορεί να προκαλέσει παρεμβολές σε ενεργά ή παθητικά ιατρικά εμφυτεύματα. Προκειμένου να μειωθεί ο κίνδυνος παθήσεων που μπορεί να προκαλέσουν τραυματισμό ή θάνατο, συνιστούμε στα άτομα με ιατρικά εμφυτεύματα να συμβουλευτούν το θεράποντα ιατρό τους και τον κατασκευαστή του ιατρικού εμφυτεύματος, πριν να θέσουν το προϊόν σε λειτουργία.
 - Να βεβαιώνετε τακτικά ότι το καλώδιο ρεύματος του φορτιστή της μπαταρίας δεν έχει υποστεί ζημιά και ότι δεν παρουσιάζει ρωγμές.
 - Μην σηκώνετε το φορτιστή μπαταρίας από το καλώδιο ρεύματος. Για να αποσυνδέσετε το φορτιστή της μπαταρίας από την πρίζα, τραβήξτε το βύσμα. Μην τραβάτε το καλώδιο.
 - Διατηρείτε το καλώδιο ρεύματος και το καλώδιο επέκτασης μακριά από νερό, λάδι και αιχμηρές γωνίες. Βεβαιωθείτε ότι το καλώδιο δεν έχει μαγκώσει σε πόρτες, φράκτες ή παρόμοια σημεία.
- Μπορεί να προκληθεί κίνδυνος τροφοδοσίας ρεύματος στο φορτιστή.
- Μην καθαρίζετε τον φορτιστή μπαταρίας με νερό.
 - Ο φορτιστής της μπαταρίας μπορεί να χρησιμοποιηθεί από παιδιά ηλικίας από 8 ετών και άνω και από άτομα με περιορισμένες σωματικές, αισθητήριες ή διανοητικές ικανότητες ή από άτομα χωρίς εμπειρία και γνώση, εφόσον τον χρησιμοποιούν υπό επιτήρηση ή έχουν λάβει οδηγίες σχετικά με την ασφαλή χρήση του και κατανοούν τους κινδύνους που ενέχονται. Τα παιδιά δεν πρέπει να παίζουν με το φορτιστή της μπαταρίας. Τα παιδιά δεν πρέπει να εκτελούν εργασίες καθαρισμού και συντήρησης χωρίς επίβλεψη.
 - Μην φορτίζετε μη επαναφορτιζόμενες μπαταρίες με το φορτιστή της μπαταρίας.
 - Μη χρησιμοποιείτε το φορτιστή μπαταρίας κοντά σε εύφλεκτα υλικά ή υλικά που μπορούν να προκαλέσουν διάβρωση. Μην καλύπτετε το φορτιστή μπαταρίας. Σε περίπτωση έκλυσης καπνού ή πυρκαγιάς, βγάλτε το φορτιστή μπαταρίας από την πρίζα.

- Μη χρησιμοποιείτε φορτιστή μπαταρίας που παρουσιάζει ελάττωμα ή έχει υποστεί ζημιά.
- Φορτίζετε την μπαταρία μόνο σε εσωτερικό και καλά αεριζόμενο χώρο μακριά από την ηλιακή ακτινοβολία. Μη φορτίζετε την μπαταρία σε συνθήκες υγρασίας.

- Μη επιχειρήσετε να επισκευάσετε ένα κομμένο ή κατεστραμμένο καλώδιο ρεύματος. Αντικαταστήστε το με ένα καινούργιο.

Οδηγίες ασφαλείας για τη συντήρηση



ΠΡΟΕΙΔΟΠΟΙΗΣΗ: Προτού χρησιμοποιήσετε το προϊόν, διαβάστε τις παρακάτω προειδοποιητικές οδηγίες.

Ασφάλεια καλωδίου ρεύματος

Για το μοντέλο LC 141C.

- Συνιστάται η χρήση μιας διάταξης προστασίας από ρεύματα διαρροής (Residual Current Device (R.C.D.)) με ρεύμα ενεργοποίησης όχι μεγαλύτερο από 30 mA. Ακόμη και όταν έχει τοποθετηθεί R.C.D., η ασφάλεια δεν μπορεί να είναι 100% εγγυημένη και πρέπει να τηρούνται πάντοτε οι πρακτικές ασφαλούς εργασίας. Κάντε έναν έλεγχο της R.C.D. κάθε φορά που τη χρησιμοποιείτε.
- Εάν το καλώδιο ρεύματος κοπεί ή υποστεί ζημιά ή μόνωσή του, αποσυνδέστε το αμέσως από την παροχή ρεύματος.
- Μη αγγίζετε ένα κομμένο ή κατεστραμμένο καλώδιο ρεύματος μέχρι να αποσυνδεθεί από την παροχή ρεύματος.

- Για το μοντέλο LC 141iV, LC 141i: Για την αποφυγή ακούσιας εκκίνησης κατά τις εργασίες συντήρησης, γυρίστε το κλειδί ασφαλείας στη θέση "0" και αφαιρέστε την μπαταρία. Περιμένετε τουλάχιστον για 5 δευτερόλεπτα προτού ξεκινήσετε τις εργασίες συντήρησης.
- Για το μοντέλο LC 141C: Για την αποφυγή τυχόν ακούσιας εκκίνησης κατά τη διάρκεια των εργασιών συντήρησης, πρέπει να αποσυνδέετε το καλώδιο ρεύματος.
- Να εκτελείτε σωστά τις εργασίες συντήρησης για να αυξήσετε τη διάρκεια ζωής του προϊόντος και να μειώσετε τον κίνδυνο ατυχημάτων. Να αναθέτετε τις επαγγελματικές επισκευές σε έναν εγκεκριμένο αντιπρόσωπο σέρβις. Επικοινωνήστε με τον πλησιέστερο αντιπρόσωπο

σέρβις για περισσότερες πληροφορίες.

- Να πραγματοποιείτε μόνο τις εργασίες συντήρησης που περιλαμβάνονται στο παρόν εγχειρίδιο χρήσης. Οι εκτεταμένες εργασίες πρέπει να εκτελούνται από εγκεκριμένο αντιπρόσωπο σέρβις.
- Φοράτε ανθεκτικά γάντια όταν χρησιμοποιείτε τον εξοπλισμό κοπής. Η λεπίδα είναι πολύ κοφτερή και μπορεί εύκολα να κοπείτε.
- Διατηρείτε την κοπτική ακμή αιχμηρή και καθαρή για καλύτερη απόδοση και μεγαλύτερη ασφάλεια.
- Να αναθέτετε στον αντιπρόσωπο σέρβις να

ελέγχει συχνά το προϊόν και να κάνει τις απαραίτητες ρυθμίσεις και επισκευές.

- Να αντικαθιστάτε τυχόν κατεστραμμένα, φθαρμένα ή σπασμένα εξαρτήματα.
- Τηρείτε τις οδηγίες για την αλλαγή των αξεσουάρ. Χρησιμοποιήστε μόνο αξεσουάρ του κατασκευαστή.
- Αποθηκεύετε το προϊόν, την μπαταρία και τον φορτιστή μπαταρίας ξεχωριστά σε κλειδωμένο εσωτερικό χώρο χωρίς υγρασία, όταν δεν τα χρησιμοποιείτε. Βεβαιωθείτε ότι τα παιδιά και τα μη εξουσιοδοτημένα άτομα δεν έχουν πρόσβαση στο προϊόν, την μπαταρία ή τον φορτιστή μπαταρίας.

Συναρμολόγηση

Εισαγωγή



ΠΡΟΕΙΔΟΠΟΙΗΣΗ: Πριν συναρμολογήσετε το προϊόν, διαβάστε το κεφάλαιο για την ασφάλεια.

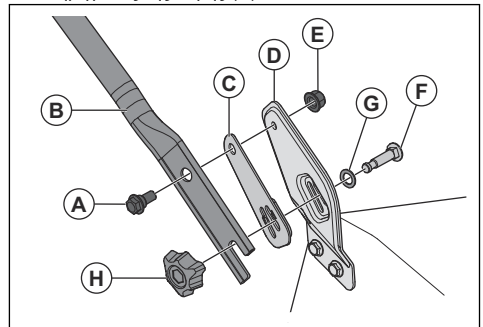


ΠΡΟΕΙΔΟΠΟΙΗΣΗ: Για το μοντέλο LC 141iV, LC 141i: Για την αποφυγή ακούσιας εκκίνησης κατά τη συναρμολόγηση, γυρίστε το κλειδί ασφαλείας στη θέση "0", αφαιρέστε την μπαταρία και περιμένετε τουλάχιστον για 5 δευτερόλεπτα.

Για το μοντέλο LC 141C: Για την αποφυγή τυχόν ακούσιας εκκίνησης κατά τη διάρκεια της συναρμολόγησης, πρέπει να αποσυνδέετε το καλώδιο ρεύματος.

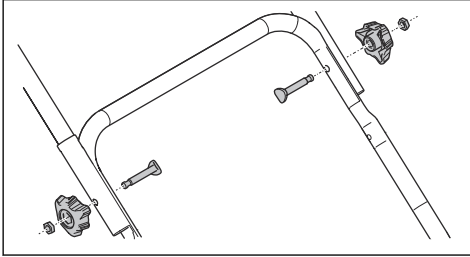
Συναρμολόγηση της λαβής

1. Περάστε τη βίδα (A) μέσα από τη λαβή (B), την πλαστική ροδέλα (C) και το μπράτσο του στηρίγματος της λαβής (D).

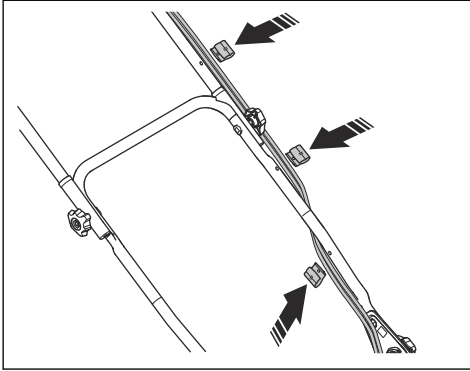


2. Σφίξτε καλά το παξιμάδι (E).

3. Περάστε τη βίδα (F) μέσα από τη ροδέλα (G) και το μπράτσο του στηρίγματος της λαβής.
4. Σφίξτε καλά τη χειρόβιδα (H).
5. Ευθυγραμμίστε τις οπές στη χειρολαβή με τις οπές στο κάτω μέρος της λαβής και στερεώστε τις βίδες, τις ροδέλες και τις χειρόβιδες. Σφίξτε πλήρως τις χειρόβιδες.

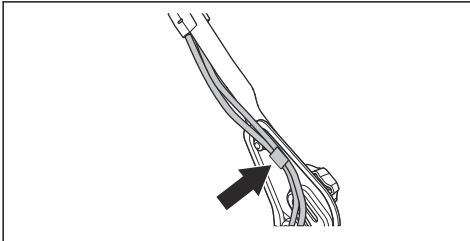


6. Στερεώστε τις ντιζες στη λαβή με τα σχετικά στηρίγματα.



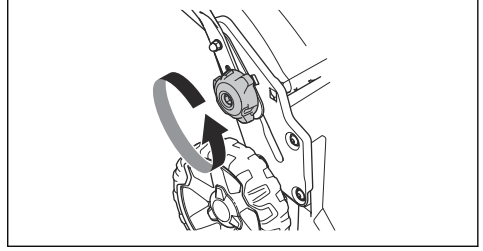
Περιεχόμενα Βεβαιωθείτε ότι η μηχανική τάση στις ντιζες δεν είναι υπερβολικά υψηλή. Σε περίπτωση πολύ υψηλής μηχανικής τάσης, μπορεί να προκληθεί ζημιά στην ντιζα, εάν διπλωθεί η λαβή στη θέση μεταφοράς.

7. Τοποθετήστε τις ντιζες γύρω από το γάντζο στο κάτω μέρος της λαβής.

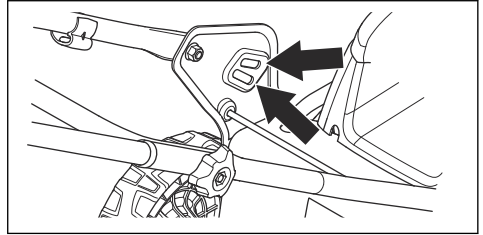


Για να προσαρμόσετε το ύψος της λαβής

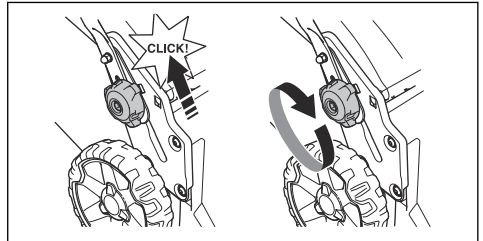
1. Χαλαρώστε τις κάτω χειρόβιδες.



2. Βγάλτε τη χειρόβιδα, τη ροδέλα και τη βίδα στην αριστερή και τη δεξιά πλευρά.
3. Η λαβή μπορεί να ρυθμιστεί σε 2 διαφορετικά ύψη. Τοποθετήστε τη βίδα σε μία από τις 2 οπές στην αριστερή και τη δεξιά πλευρά.

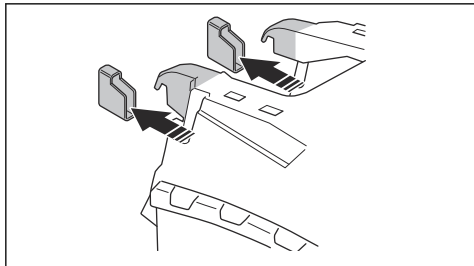


4. Στερεώστε τις βίδες, τις ροδέλες και τις χειρόβιδες.
5. Μετακινήστε τους μοχλούς προς την κατεύθυνση της χειρολαβής μέχρι να σταματήσουν και να ακούσετε ένα κλικ. Σφίξτε πλήρως τις χειρόβιδες.

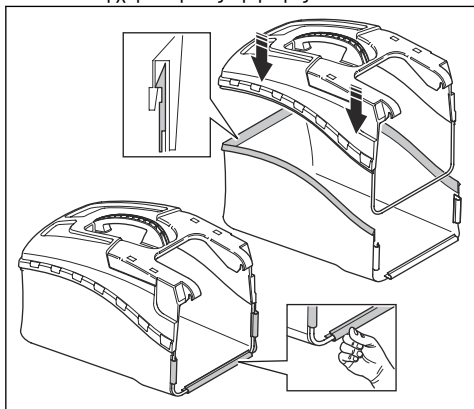


Συναρμολόγηση του συλλέκτη χόρτου

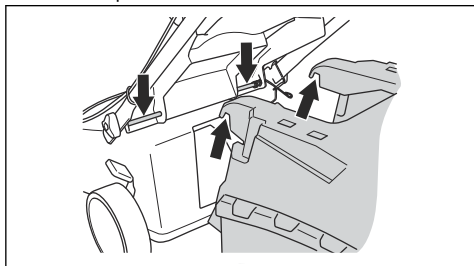
1. Σπρώξτε τα 2 καλύμματα μεταφοράς προς τα έξω και προς τα κάτω.



2. Τοποθετήστε το επάνω τμήμα του συλλέκτη χόρτου πάνω στο κάτω τμήμα του. Συνδέστε το πλαίσιο του συλλέκτη χόρτου με τις αγκράφες.

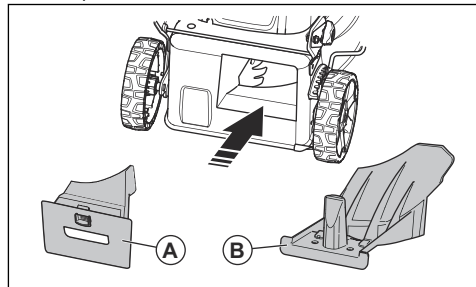


3. Ανασηκώστε το πίσω κάλυμμα.
4. Συνδέστε τα άγκιστρα του συλλέκτη χόρτου στο επάνω άκρο του σασί.



Για να συναρμολογήσετε το κιτ κοπής χορτολιπάσματος

1. Ανασηκώστε το πίσω κάλυμμα και αφαιρέστε τον συλλέκτη χόρτου.
2. Τοποθετήστε το πώμα χορτολιπάσματος μέσα στον αγωγό εκκένωσης. Το πώμα χορτολιπάσματος τύπου A είναι για τα LC 141i και LC 141C. Ο τύπος B είναι για τα LC 141iV.



3. Κλείστε το πίσω κάλυμμα.
4. Αντικαταστήστε τη λεπίδα με τη λεπίδα Combi, βλ. *Αφαίρεση και επανατοποθέτηση της λεπίδας στη σελίδα 164.*

Λειτουργία

Εισαγωγή

διαβάστε και να κατανοήσετε το κεφάλαιο για την ασφάλεια.



ΠΡΟΕΙΔΟΠΟΙΗΣΗ: Προτού χρησιμοποιήσετε το προϊόν, πρέπει να

Husqvarna Connect

Η Husqvarna Connect είναι μια δωρεάν εφαρμογή για τη φορητή συσκευή σας. Η εφαρμογή Husqvarna Connect παρέχει εκτεταμένες λειτουργίες για το προϊόν σας Husqvarna:

- Περισσότερες πληροφορίες για το προϊόν.
- Πληροφορίες και βοήθεια για τα ανταλλακτικά και το σέρβις του προϊόντος.

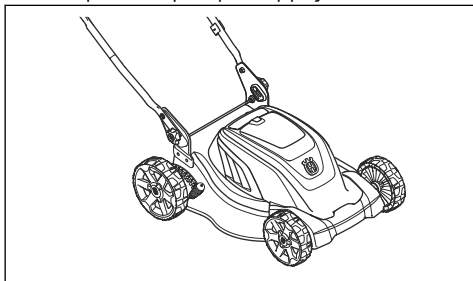
Για να αρχίσετε να χρησιμοποιείτε το προϊόν Husqvarna Connect

1. Κατεβάστε την εφαρμογή Husqvarna Connect στη φορητή συσκευή σας.
2. Εγγραφείτε στην εφαρμογή Husqvarna Connect.
3. Ακολουθήστε τα βήματα με τις οδηγίες που θα βρείτε στην εφαρμογή Husqvarna Connect για να συνδέσετε και να δηλώσετε το προϊόν.

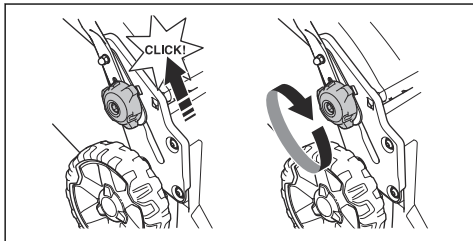
Για να ρυθμίσετε το προϊόν στη θέση λειτουργίας

Εάν η λαβή τοποθετηθεί στην θέση μεταφοράς και αποθήκευσης (βλ. *Ρύθμιση του προϊόντος στη θέση μεταφοράς στη σελίδα 166*), εκτελέστε τη διαδικασία που ακολουθεί για την τοποθέτηση της λαβής στη θέση λειτουργίας.

1. Ανασηκώστε τη λαβή μέχρι το κάτω μέρος της λαβής να ασφαλίσει στη θέση λειτουργίας.

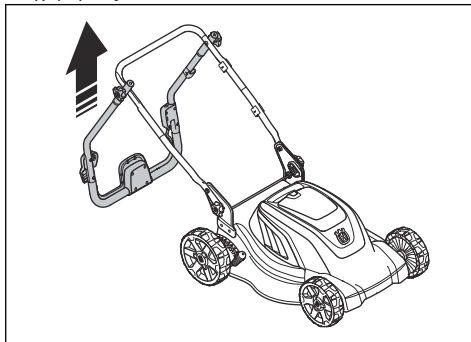


2. Μετακινήστε τις κάτω χειρόβιδες προς τα πάνω, στην κατεύθυνση της λαβής, μέχρι να σταματήσουν και να ακουστεί ένα κλικ.



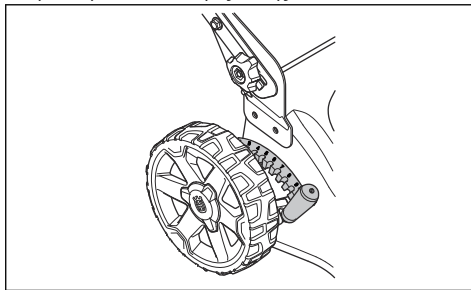
3. Σφίξτε τις χειρόβιδες.

4. Ανασηκώστε το πάνω μέρος της λαβής και σφίξτε τις χειρόβιδες.



Για να ρυθμίσετε το ύψος κοπής

1. Μετακινήστε το μοχλό ύψους κοπής προς τα πίσω για να αυξήσετε το ύψος κοπής.
2. Μετακινήστε το μοχλό ύψους κοπής προς τα εμπρός για να μειώσετε το ύψος κοπής.



ΠΡΟΣΟΧΗ: Μην ρυθμίζετε το ύψος κοπής πολύ χαμηλά. Οι λεπίδες μπορεί να χτυπήσουν στο έδαφος αν η επιφάνεια του χλοοτάπητα δεν είναι επίπεδη.

Μπαταρία

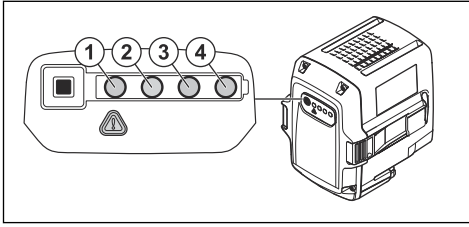


ΠΡΟΕΙΔΟΠΟΙΗΣΗ: Προτού χρησιμοποιήσετε την μπαταρία, πρέπει να διαβάσετε και να κατανοήσετε το κεφάλαιο σχετικά με την ασφάλεια. Πρέπει επίσης να διαβάσετε και να κατανοήσετε το εγχειρίδιο χρήσης για την μπαταρία και τον φορτιστή της μπαταρίας.

Κατάσταση μπαταρίας

Στην οθόνη εμφανίζονται η εναπομένουσα χωρητικότητα της μπαταρίας και τυχόν προβλήματα της μπαταρίας. Η χωρητικότητα της μπαταρίας εμφανίζεται για 5 δευτερόλεπτα μετά την απενεργοποίηση του προϊόντος ή το πάτημα του κουμπιού της ένδειξης μπαταρίας. Το προειδοποιητικό σύμβολο στην μπαταρία ανάβει όταν

παρουσιάσει σφάλμα. Ανατρέξτε στην ενότητα *Μπαταρία στη σελίδα 165*.



Ενδεικτικές λυχνίες LED	Κατάσταση μπαταρίας
Όλες οι ενδεικτικές λυχνίες LED είναι αναμμένες	Πλήρως φορτισμένη (75-100%)
Οι ενδεικτικές λυχνίες LED 1, LED 2, LED 3 είναι αναμμένες	Η μπαταρία είναι φορτισμένη κατά 50%-75%
Οι ενδεικτικές λυχνίες LED 1, LED 2 είναι αναμμένες	Η μπαταρία είναι φορτισμένη κατά 25%-50%
Η ενδεικτική λυχνία LED 1 είναι αναμμένη	Η μπαταρία είναι φορτισμένη κατά 0%-25%.
Η ενδεικτική λυχνία LED 1 αναβοσβήνει	Η μπαταρία είναι άδεια. Φορτίστε την μπαταρία.

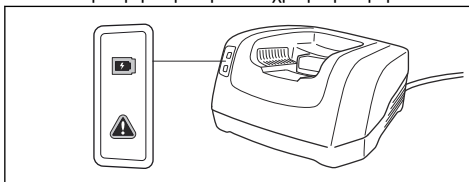
Φόρτιση της μπαταρίας

Φορτίστε την μπαταρία πριν από την πρώτη χρήση. Η μπαταρία είναι φορτισμένη μόνο κατά 30% όταν παρέχεται στον πελάτη.

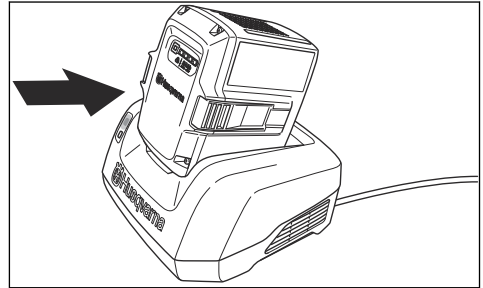
Περιεχόμενα Ο φορτιστής της μπαταρίας πρέπει να συνδέεται σε παροχή με τάση και συχνότητα ίδια με αυτή που ορίζεται στην πινακίδα στοιχείων.

Η φόρτιση της μπαταρίας δεν είναι δυνατή αν η θερμοκρασία της μπαταρίας είναι μεγαλύτερη από 50 °C. Ο φορτιστής της μπαταρίας μειώνει τη θερμοκρασία πριν ξεκινήσει η φόρτιση.

1. Συνδέστε το ένα άκρο του καλωδίου ρεύματος του φορτιστή μπαταρίας στην υποδοχή του φορτιστή μπαταρίας.
2. Συνδέστε το άλλο άκρο του καλωδίου ρεύματος του φορτιστή μπαταρίας σε μια γειωμένη πρίζα. Η ενδεικτική λυχνία LED στον φορτιστή της μπαταρίας θα αναβοσβήσει με πράσινο χρώμα μία φορά.



3. Τοποθετήστε την μπαταρία στο φορτιστή μπαταρίας. Όταν η μπαταρία συνδεθεί σωστά στον φορτιστή, ανάβει η πράσινη λυχνία στον φορτιστή.



4. Η μπαταρία είναι πλήρως φορτισμένη, όταν ανάψουν όλες οι λυχνίες LED στην μπαταρία. Ο μέγιστος χρόνος φόρτισης της μπαταρίας δεν θα πρέπει να υπερβαίνει τις 24 ώρες.
5. Για να αποσυνδέσετε τον φορτιστή της μπαταρίας από την πρίζα, τραβήξτε το φως και όχι το καλώδιο.
6. Αφαιρέστε την μπαταρία από το φορτιστή.

Κατάσταση φόρτισης της μπαταρίας

Μια μπαταρία ιόντων λιθίου της Husqvarna μπορεί να φορτιστεί ή να χρησιμοποιηθεί σε όλα τα επίπεδα φόρτισης. Δεν προκαλείται ζημιά στην μπαταρία. Μια πλήρως φορτισμένη μπαταρία δεν θα χάσει το φορτίο της όταν παραμείνει στον φορτιστή.

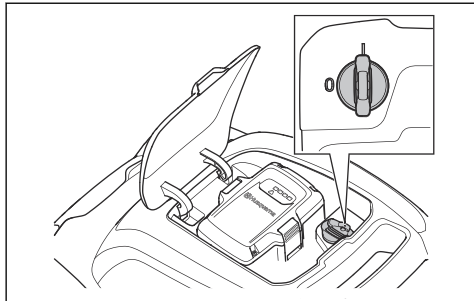
Θύση LED	Κατάσταση φόρτισης
Η ενδεικτική λυχνία LED 1 αναβοσβήνει	0%-25%
Η ενδεικτική λυχνία LED 1 είναι αναμμένη, η ενδεικτική λυχνία LED 2 αναβοσβήνει	25%-50%
Οι ενδεικτικές λυχνίες LED 1, LED 2 είναι αναμμένες, η ενδεικτική λυχνία LED 3 αναβοσβήνει	50%-75%
Οι ενδεικτικές λυχνίες LED 1, LED 2, LED 3 είναι αναμμένες, η ενδεικτική λυχνία LED 4 αναβοσβήνει	75%-100%
Οι λυχνίες LED 1, LED 2, LED 3, LED 4 είναι αναμμένες	Πλήρως φορτισμένη

Λειτουργία των LC 141iV και LC 141i

Εκκίνηση του προϊόντος

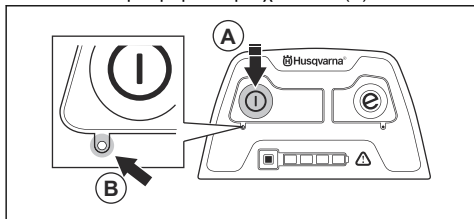
1. Τοποθετήστε μία φορτισμένη μπαταρία στη θήκη της μπαταρίας.

2. Γυρίστε το κλειδί ασφαλείας στη θέση "1".

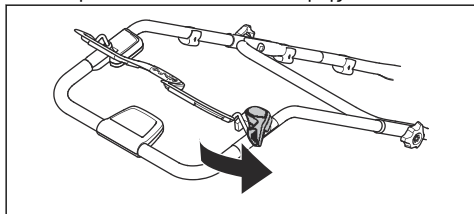


3. Να παραμένετε πίσω από το προϊόν.

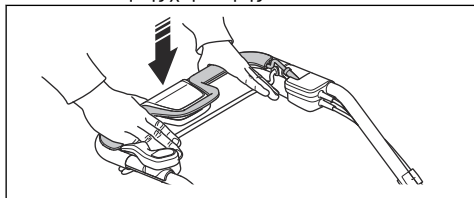
4. Πατήστε το κουμπί ON/OFF (A) στο ταμπλό ελέγχου και θα ανάψει η πράσινη λυχνία LED (B).



5. Χαλαρώστε τον αναστολέα εκκίνησης.

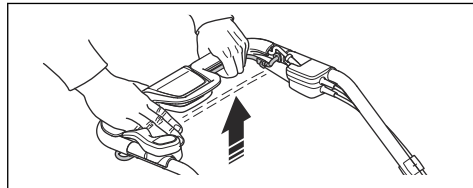


6. Σπρώξτε τη λαβή φρένου του κινητήρα προς την κατεύθυνση της χειρολαβής.

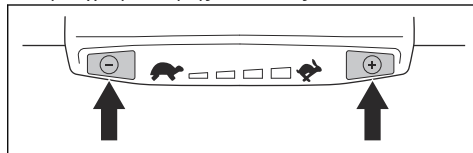


Χρήση της κίνησης στους τροχούς

- Μοντέλο LC 141iV. Για να ξεκινήσετε την πορεία, τραβήξτε την ασφάλεια κίνησης προς την κατεύθυνση της χειρολαβής.



- Πατήστε + και - στο ταμπλό ελέγχου για να ρυθμίσετε την ταχύτητα κίνησης σε 4 θέσεις.

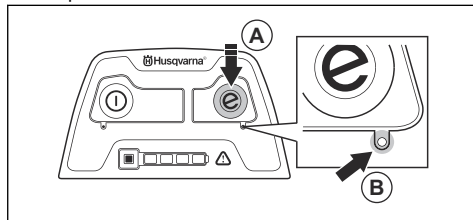


- Απελευθερώστε την ασφάλεια κίνησης για να αποδεσμεύσετε την κίνηση, για παράδειγμα όταν βρισκόμαστε κοντά σε κάποιο εμπόδιο.

Χρήση της λειτουργίας εξοικονόμησης SavE (αξεσουάρ)

Το προϊόν διαθέτει μια λειτουργία εξοικονόμησης μπαταρίας (SavE) για μεγαλύτερη διάρκεια λειτουργίας.

1. Πατήστε το κουμπί εξοικονόμησης SavE (A) για να εκκινήσετε τη λειτουργία. Η πράσινη λυχνία LED ανάβει.



2. Πατήστε ξανά το κουμπί εξοικονόμησης SavE για να διακόψετε τη λειτουργία. Η πράσινη λυχνία LED (B) σβήνει.

Η λειτουργία εξοικονόμησης SavE διακόπεται αυτόματα αν οι συνθήκες εδάφους απαιτούν υψηλότερη απόδοση. Η λειτουργία εξοικονόμησης SavE εκκινείται αυτόματα όταν το επιτρέπουν οι συνθήκες του εδάφους.

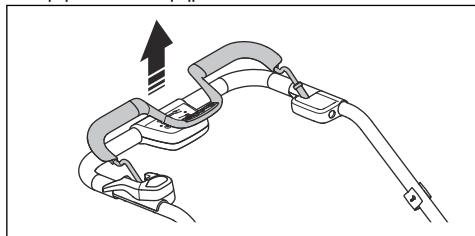
Λειτουργία υψηλού φορτίου

Οι σ.α.λ. του κινητήρα αυξάνονται αυτόματα, όταν το προϊόν κόβει μακρύ ή νωπό χορτάρι. Ο κινητήρας επιστρέφει σε κανονική λειτουργία όταν δεν απαιτείται υψηλό φορτίο.

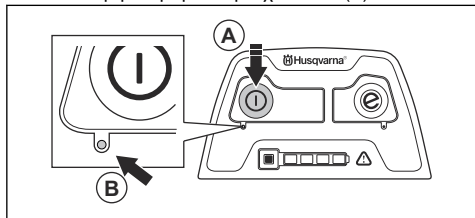
Διακοπή λειτουργίας του προϊόντος

Το προϊόν σταματά να λειτουργεί, αν δεν το χρησιμοποιήσετε για 10 λεπτά. Να γυρνάτε πάντα το κλειδί ασφαλείας στη θέση "0" προτού αφήσετε το προϊόν εκτός του οπτικού σας πεδίου.

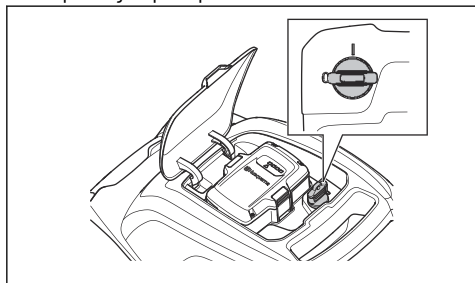
1. Απελευθερώστε τη λαβή φρένου του κινητήρα για να σβήσετε τον κινητήρα.



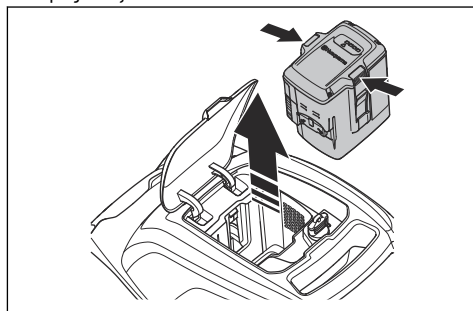
2. Πατήστε το κουμπί ON/OFF (A) στο ταμπλό ελέγχου και θα σβήσει η πράσινη λυχνία LED (B).



3. Ανοίξτε το καπάκι της μπαταρίας και γυρίστε το κλειδί ασφαλείας στη θέση "0".



4. Για να αφαιρέσετε την μπαταρία, πατήστε τα 2 κουμπιά απασφάλισης και τραβήξτε την μπαταρία προς τα έξω.



5. Φορτίστε την μπαταρία, αν η στάθμη φόρτισης είναι πολύ χαμηλή. Για περισσότερες πληροφορίες, ανατρέξτε στην ενότητα *Φόρτιση της μπαταρίας στη σελίδα 159*.

Λειτουργία του LC 141C

Για να επιλέξετε ένα εγκεκριμένο καλώδιο (LC 141C)

Περιεχόμενα Για την αγορά του Ηνωμένου Βασιλείου, χρησιμοποιείτε μόνο το καλώδιο επέκτασης 16 m που συνοδεύει το προϊόν. Για όλες τις άλλες αγορές, ανατρέξτε στις παρακάτω πληροφορίες.

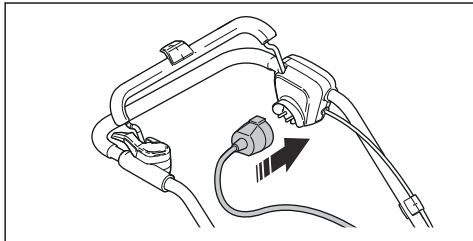
Εάν χρησιμοποιηθούν καλώδια προέκτασης, πρέπει να συμμορφώνονται με τις ελάχιστες διατομές που αναφέρονται στον παρακάτω πίνακα:

Τάση	Μήκος καλωδίου	Διατομή
220-240 V/ 50 Hz	Έως 20 m	1,5 mm ²
220-240 V/ 50 Hz	20-50 m	2,5 mm ²

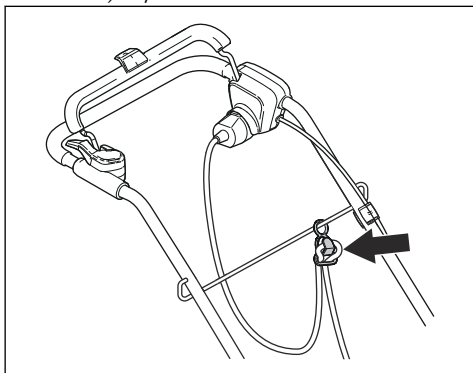
- Τα καλώδια ρεύματος και τα καλώδια προέκτασης διατίθενται από τον τοπικό εγκεκριμένο αντιπρόσωπο σέρβις για τα προϊόντα Husqvarna για εξωτερικούς χώρους.
- Χρησιμοποιείτε μόνο καλώδια προέκτασης που έχουν σχεδιαστεί ειδικά για χρήση σε εξωτερικούς χώρους, τα οποία συμμορφώνονται με μία από τις παρακάτω προδιαγραφές: Συνηθισμένο καουτσούκ (60245 IEC 53), συνηθισμένο PVC (60227 IEC 53) ή συνηθισμένο PCP (60245 IEC 57)
- Αν το καλώδιο υποστεί ζημιά, πρέπει να αντικατασταθεί από τον κατασκευαστή, τον αντιπρόσωπο σέρβις ή άλλα άτομα με παρόμοιες πιστοποιήσεις, προκειμένου να αποφευχθεί ο κίνδυνος.

Εκκίνηση του προϊόντος

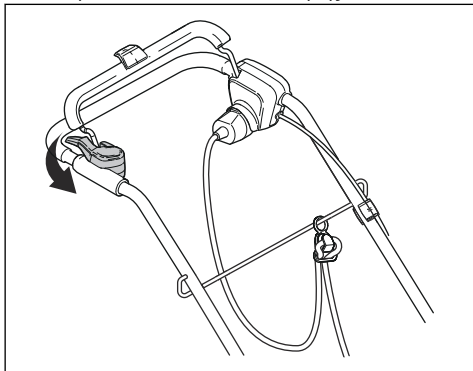
1. Συνδέστε ένα καλώδιο ρεύματος στην υποδοχή κάτω από τη λαβή.



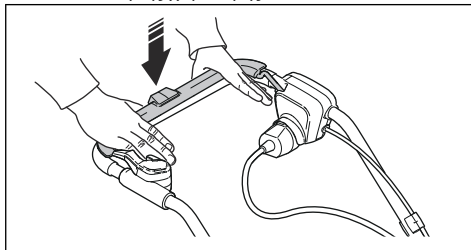
2. Τοποθετήστε το καλώδιο ρεύματος στο στήριγμα του καλωδίου ρεύματος. Ανατρέξτε στην ενότητα *Χρήση του στηρίγματος του καλωδίου ρεύματος (μοντέλο LC 141C)* στη σελίδα 151.



3. Να παραμένετε πίσω από το προϊόν.
4. Χαλαρώστε τον αναστολέα εκκίνησης.

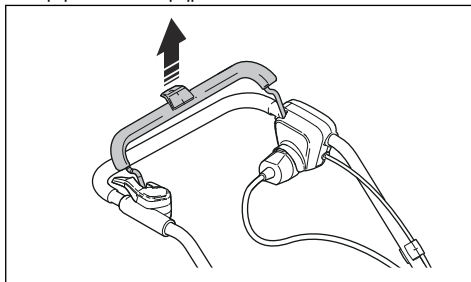


5. Σπρώξτε τη λαβή φρένου του κινητήρα προς την κατεύθυνση της χειρολαβής.

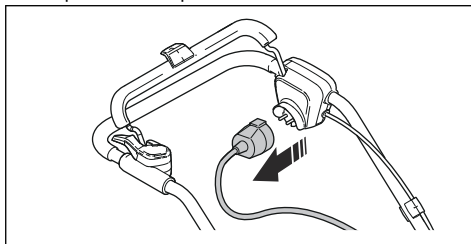


Διακοπή λειτουργίας του προϊόντος

1. Απελευθερώστε τη λαβή φρένου του κινητήρα για να σβήσετε τον κινητήρα.



2. Αποσυνδέστε το καλώδιο ρεύματος από την πρίζα και μετά από το προϊόν.



ΠΡΟΣΟΧΗ: Τραβήξτε το φως ευθεία προς τα έξω. Μην τραβάτε το καλώδιο.

Για ένα καλό αποτέλεσμα

- Να χρησιμοποιείτε πάντα μια ακονισμένη λεπίδα. Η στομωμένη λεπίδα δίνει ένα ακανόνιστο αποτέλεσμα και η επιφάνεια κοπής του γρασιδιού γίνεται κίτρινη. Επίσης, η ακονισμένη λεπίδα χρησιμοποιεί λιγότερη ενέργεια από μια στομωμένη λεπίδα.
- Να μην κόβετε ποτέ πάνω από το 1/3 του μήκους του γρασιδιού. Να κόβετε πρώτα με το ύψος κοπής ρυθμισμένο σε υψηλό. Εξετάστε το αποτέλεσμα και χαμηλώστε το ύψος κοπής σε κατάλληλο επίπεδο. Αν το γρασίδι είναι πολύ μακρύ, οδηγήστε αργά και κόψτε 2 φορές, αν είναι απαραίτητο.

- Να κόβετε κάθε φορά σε διαφορετικές κατευθύνσεις για να αποφεύγετε τις ρίγες στο γκαζόν.

Συντήρηση

Εισαγωγή



ΠΡΟΕΙΔΟΠΟΙΗΣΗ: Προτού εκτελέσετε εργασίες συντήρησης, πρέπει να διαβάσετε και να κατανοήσετε το κεφάλαιο για την ασφάλεια.

Για όλες τις εργασίες συντήρησης και επισκευής στο προϊόν, είναι απαραίτητη ειδική εκπαίδευση. Μπορούμε να εγγυηθούμε για τη διαθεσιμότητα των επαγγελματικών επισκευών και τη συντήρηση. Αν ο

αντιπρόσωπός σας δεν είναι αντιπρόσωπος σέρβις, μιλήστε του για πληροφορίες σχετικά με τον πλησιέστερο αντιπρόσωπο σέρβις.

Πρόγραμμα συντήρησης

Τα διαστήματα συντήρησης υπολογίζονται με βάση την καθημερινή χρήση του προϊόντος. Τα διαστήματα αλλάζουν αν το προϊόν δεν χρησιμοποιείται καθημερινά.

Για τις εργασίες συντήρησης που επισημαίνονται με αστερίσκο (*), βλ. *Συσκευές ασφαλείας στο προϊόν στη σελίδα 150.*

LC 141IV, LC 141i και LC 141C	Σε κάθε χρήση	Κάθε μή-να	Σε κάθε σεζόν
Εκτέλεση γενικής επιθεώρησης.	X		
Καθαρισμός του προϊόντος.	X		
Έλεγχος του αναστολέα εκκίνησης *.	X		
Επιβεβαίωση της μη ελαττωματικής λειτουργίας των συσκευών ασφαλείας στο προϊόν *.	X		
Έλεγχος του εξοπλισμού κοπής.	X		
Έλεγχος του καλύμματος κοπής *.	X		
Έλεγχος της λαβής του φρένου του κινητήρα *.	X		

Μόνο στα LC 141IV και LC 141i	Σε κάθε χρήση	Κάθε μή-να	Σε κάθε σεζόν
Επιβεβαίωση της σωστής και μη ελαττωματικής λειτουργίας του κουμπιού ON/OFF.	X		
Έλεγχος της μπαταρίας για ζημιά.	X		
Έλεγχος της φόρτισης της μπαταρίας.	X		
Έλεγχος της σωστής λειτουργίας των κουμπιών απασφάλισης της μπαταρίας και της ασφάλισης της μπαταρίας μέσα στο προϊόν.	X		
Έλεγχος του φορτιστή μπαταρίας για τυχόν ζημιές και έλεγχος για σωστή λειτουργία.		X	
Έλεγχος των συνδέσεων μεταξύ της μπαταρίας και του προϊόντος. Επιπλέον, έλεγχος της σύνδεσης μεταξύ της μπαταρίας και του φορτιστή μπαταρίας.			X

Εκτέλεση γενικής επιθεώρησης

- Βεβαιωθείτε ότι τα παξιμάδια και οι βίδες πάνω στο προϊόν είναι σφιγμένα.

- Βεβαιωθείτε ότι τα καλώδια στο προϊόν δεν βρίσκονται σε σημείο όπου μπορούν να υποστούν ζημιά.

Καθαρισμός του προϊόντος

- Καθαρίζετε τα πλαστικά εξαρτήματα με καθαρό και στεγνό πανί.
- Μην χρησιμοποιείτε νερό για να καθαρίσετε το προϊόν. Το νερό μπορεί να εισχωρήσει στην μπαταρία ή στον κινητήρα και να προκαλέσει βραχυκύκλωμα ή ζημιά στο προϊόν.
- Μην χρησιμοποιείτε σύστημα πλύσης με υψηλή πίεση για να καθαρίσετε το προϊόν.
- Μην ρίχνετε νερό απευθείας επάνω στον κινητήρα.
- Χρησιμοποιήστε μια βούρτσα για να αφαιρέσετε φύλλα, γρασίδι και ακαθαρσίες.

Για να καθαρίσετε την μπαταρία και το φορτιστή μπαταρίας



ΠΡΟΣΟΧΗ: Μην καθαρίζετε την μπαταρία ή το φορτιστή μπαταρίας με νερό.

- Βεβαιωθείτε ότι η μπαταρία και ο φορτιστής είναι καθαροί και στεγνοί προτού τοποθετήσετε την μπαταρία στον φορτιστή.
- Καθαρίστε τους πόλους της μπαταρίας με πεπεσμένο αέρα ή χρησιμοποιήστε μαλακό και στεγνό πανί.
- Καθαρίστε τις επιφάνειες της μπαταρίας και του φορτιστή της μπαταρίας με μαλακό και στεγνό πανί.

Έλεγχος εξοπλισμού κοπής



ΠΡΟΕΙΔΟΠΟΙΗΣΗ: Για τα μοντέλα LC 141iV και LC 141i: Για την αποφυγή ακούσιας εκκίνησης, γυρίστε το κλειδί ασφαλείας στη θέση "0", αφαιρέστε την μπαταρία και περιμένετε τουλάχιστον για 5 δευτερόλεπτα.

Για το μοντέλο LC 141C: Για την αποφυγή τυχόν ακούσιας εκκίνησης, πρέπει να αποσυνδέετε το καλώδιο ρεύματος.



ΠΡΟΕΙΔΟΠΟΙΗΣΗ: Να χρησιμοποιείτε προστατευτικά γάντια όταν κάνετε συντήρηση του εξοπλισμού κοπής. Η λεπίδα είναι πολύ κοφτερή και μπορεί εύκολα να κοπείτε.

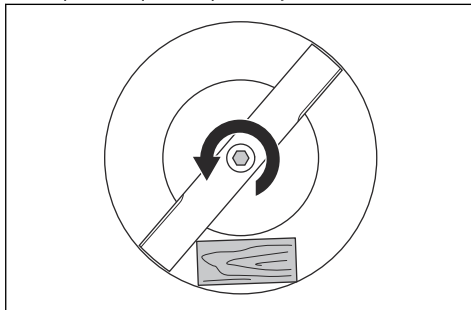
1. Ελέγξτε τον εξοπλισμό κοπής για ζημιές ή ρωγμές. Πρέπει πάντα να αντικαθιστάτε τον εξοπλισμό κοπής, αν έχει υποστεί ζημιά.
2. Κοιτάξτε τη λεπίδα για να δείτε εάν είναι φθαρμένη ή στομωμένη.

Περιεχόμενα Είναι απαραίτητο να ζυγοσταθμιστεί η λεπίδα μετά το ακόνισμα. Να αναθέτετε το ακόνισμα, την αντικατάσταση και τη ζυγοστάθμιση της λεπίδας σε ένα κέντρο σέρβις. Αν χτυπήσετε κάποιο εμπόδιο και

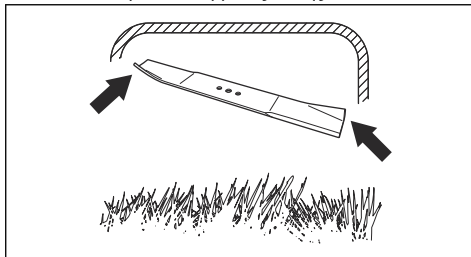
σταματήσει το προϊόν, αντικαταστήστε τη φθαρμένη λεπίδα. Το κέντρο σέρβις θα αξιολογήσει αν η λεπίδα μπορεί να ακονιστεί ή πρέπει να αντικατασταθεί.

Αφαίρεση και επανατοποθέτηση της λεπίδας

1. Ασφαλίστε τη λεπίδα με έναν ξύλινο τάκο.

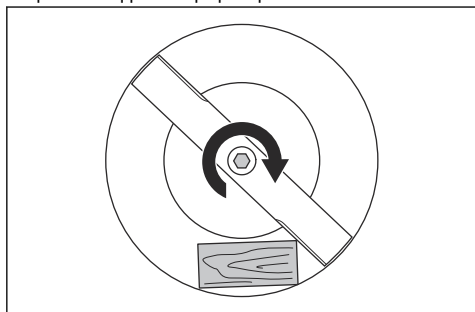


2. Αφαιρέστε τη βίδα της λεπίδας.
3. Αφαιρέστε τη λεπίδα.
4. Εξετάστε την υποστήριξη και τη βίδα της λεπίδας για να δείτε εάν υπάρχουν φθορές.
5. Βεβαιωθείτε ότι ο άξονας του κινητήρα δεν είναι λυγισμένος.
6. Όταν συνδέετε μια καινούργια λεπίδα, στρέψτε τα άκρα της λεπίδας που σχηματίζουν γωνία προς την κατεύθυνση του καλύμματος κοπής.



7. Βεβαιωθείτε ότι η λεπίδα είναι ευθυγραμμισμένη με το κέντρο του άξονα του κινητήρα.

8. Ασφαλίστε τη λεπίδα με έναν ξύλινο τάκο. Τοποθετήστε την ελατηριωτή ροδέλα και σφίξτε τη βίδα και τη ροδέλα με ροπή 20 Nm.



9. Περιστρέψτε τη λάμα με το χέρι και βεβαιωθείτε ότι μπορεί να περιστραφεί χωρίς προβλήματα.



ΠΡΟΕΙΔΟΠΟΙΗΣΗ: Να χρησιμοποιείτε γάντια βαρέος τύπου. Η λεπίδα είναι πολύ κοφτερή και μπορεί εύκολα να κοπείτε.

10. Εκκινήστε το προϊόν για να δοκιμάστε τη λεπίδα. Αν η λεπίδα δεν είναι σωστά συνδεδεμένη, θα υπάρχουν κραδασμοί στο προϊόν ή το αποτέλεσμα κοπής δεν θα είναι ικανοποιητικό.

Αντιμετώπιση προβλημάτων

Μπαταρία

Λυχνία LED στην μπαταρία	Αιτία	Λύση
Η πράσινη λυχνία LED αναβοσβήνει.	Η τάση της μπαταρίας είναι χαμηλή.	Φορτίστε την μπαταρία. Ανατρέξτε στην ενότητα <i>Φόρτιση της μπαταρίας στη σελίδα 159</i> .
Η λυχνία LED σφάλματος αναβοσβήνει.	Η μπαταρία έχει χαμηλή στάθμη φόρτισης.	Φορτίστε την μπαταρία. Ανατρέξτε στην ενότητα <i>Φόρτιση της μπαταρίας στη σελίδα 159</i> .
	Η θερμοκρασία στο περιβάλλον εργασίας είναι πολύ υψηλή ή πολύ χαμηλή.	Χρησιμοποιείτε την μπαταρία σε θερμοκρασίες μεταξύ -10 °C και 40 °C.
	Υπέρταση.	Βεβαιωθείτε ότι η τάση του δικτύου ρεύματος είναι ίδια με εκείνη που αναγράφεται στην πινακίδα στοιχείων στο προϊόν. Αφαιρέστε την μπαταρία από το φορτιστή. Περιμένετε 5 δευτερόλεπτα και προσπαθήστε ξανά να φορτίσετε την μπαταρία. Αν το πρόβλημα εξακολουθεί να εμφανίζεται, επικοινωνήστε με έναν εξουσιοδοτημένο αντιπρόσωπο σέρβις.
Η λυχνία LED σφάλματος είναι αναμμένη.	Η διαφορά τάσης μεταξύ των στοιχείων της μπαταρίας είναι πολύ μεγάλη (1 V).	Επικοινωνήστε με έναν εγκεκριμένο αντιπρόσωπο σέρβις.

Φορτιστής μπαταρίας

Λυχνία LED στον φορτιστή της μπαταρίας	Απία	Λύση
Η λυχνία LED σφάλματος αναβοσβήνει.	Η θερμοκρασία στο περιβάλλον εργασίας είναι πολύ υψηλή ή πολύ χαμηλή.	Χρησιμοποιήστε τον φορτιστή της μπαταρίας σε θερμοκρασίες μεταξύ 5 °C και 40 °C.
Η λυχνία LED σφάλματος είναι αναμμένη.		Επικοινωνήστε με έναν εγκεκριμένο αντιπρόσωπο σέρβις.

Ταμπλό ελέγχου

Για προβλήματα που δεν αναφέρονται σε αυτήν την ενότητα, μπορείτε να επικοινωνήσετε με τον αντιπρόσωπο σέρβις.

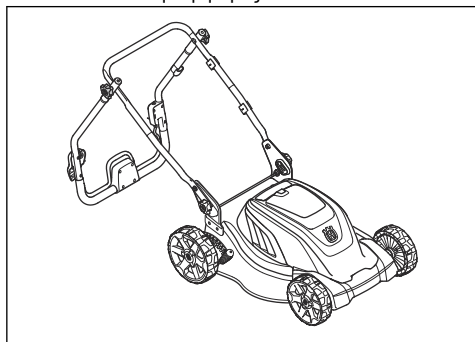
Πληροφορία	Πιθανά σφάλματα	Πιθανή ενέργεια
Η λυχνία LED σφάλματος αναβοσβήνει	Ο κινητήρας έχει υπερφορτωθεί	Αυξήστε το ύψος κοπής. Ανατρέξτε στην ενότητα <i>Για να ρυθμίσετε το ύψος κοπής στη σελίδα 158.</i>
	Η ταχύτητα του κινητήρα μειώνεται υπερβολικά και ο κινητήρας σταματά	
	Το σύστημα ελέγχου του κινητήρα είναι πολύ ζεστό	Σταματήστε τον κινητήρα και περιμένετε μέχρι να κρυώσει
	Η λεπίδα έχει μπλοκάρει	Για την αποφυγή ακούσιας εκκίνησης, γυρίστε το κλειδί ασφαλείας στη θέση "0", αφαιρέστε την μπαταρία και περιμένετε τουλάχιστον για 5 δευτερόλεπτα. Βεβαιωθείτε ότι η λεπίδα μπορεί να περιστραφεί ελεύθερα. Αν το πρόβλημα παραμένει, επικοινωνήστε με έναν εξουσιοδοτημένο αντιπρόσωπο σέρβις
Το προϊόν σταματά να λειτουργεί	Σφάλμα μπαταρίας ή δεν υπάρχει σήμα από την μπαταρία	Τοποθετήστε σωστά την μπαταρία στο προϊόν και ελέγξτε τον σύνδεσμο της μπαταρίας. Αν η λυχνία LED σφάλματος στην μπαταρία αναβοσβήνει, ανατρέξτε στην ενότητα <i>Μπαταρία στη σελίδα 165.</i>
	Η μπαταρία έχει χαμηλή στάθμη φόρτισης	Φορτίστε την μπαταρία. Ανατρέξτε στην ενότητα <i>Φόρτιση της μπαταρίας στη σελίδα 159.</i>
	Βλάβη συνδέσμου μπαταρίας	Ελέγξτε τον σύνδεσμο της μπαταρίας

Μεταφορά, αποθήκευση και απόρριψη

Ρύθμιση του προϊόντος στη θέση μεταφοράς

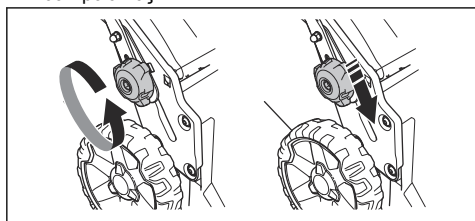
1. Αφαιρέστε τον συλλέκτη χόρτου (εάν υπάρχει).

2. Χαλαρώστε τις χειρόβιδες στο πάνω μέρος της λαβής και διπλώστε τη λαβή προς τα κάτω.

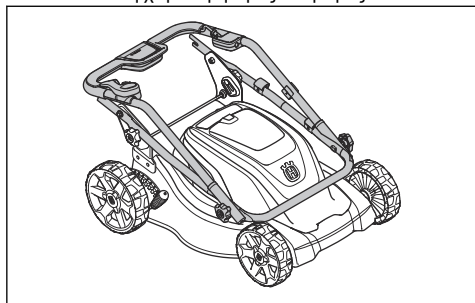


3. Χαλαρώστε τις κάτω χειρόβιδες.

4. Μετακινήστε τους μοχλούς στο κατώτερο άκρο των αυλακώσεων από την αριστερή και τη δεξιά πλευρά του προϊόντος.



5. Διπλώστε τη χειρολαβή προς τα εμπρός.



Μεταφορά

- Οι απαιτήσεις της νομοθεσίας περί μεταφοράς επικίνδυνων εμπορευμάτων ισχύει για τις μπαταρίες ιόντων λιθίου που περιλαμβάνονται.
- Για τις εμπορικές μεταφορές πρέπει να τηρούνται οι ειδικές απαιτήσεις που αναγράφονται στη συσκευασία και στις ετικέτες.
- Βεβαιωθείτε ότι τηρείτε τους κανονισμούς για επικίνδυνα υλικά κατά τη μεταφορά του προϊόντος. Μπορεί να ισχύουν τοπικοί κανονισμοί.
- Για τη μεταφορά, πρέπει πάντα να αφαιρείτε την μπαταρία.

- Τοποθετήστε ταινία στους συνδέσμους της μπαταρίας και βεβαιωθείτε ότι η μπαταρία δεν μπορεί να μετακινηθεί κατά τη μεταφορά.
- Στερεώστε το προϊόν κατά τη μεταφορά.

Αποθήκευση

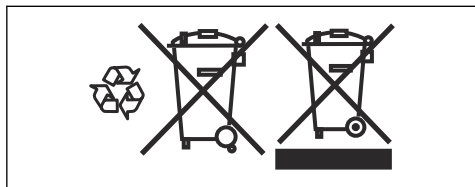
- Για την αποθήκευση, πρέπει πάντα να αφαιρείτε την μπαταρία.
- Για την αποφυγή ατυχημάτων, βεβαιωθείτε ότι η μπαταρία δεν είναι συνδεδεμένη στο προϊόν κατά την αποθήκευση.
- Αποθηκεύστε τον φορτιστή της μπαταρίας σε κλειστό χώρο χωρίς υγρασία.
- Αποθηκεύστε την μπαταρία και τον φορτιστή σε χώρο χωρίς υγρασία ή παγετό.
- Αποσυνδέστε την μπαταρία από τον φορτιστή προτού την αποθηκεύσετε.
- Μην αποθηκεύετε την μπαταρία σε χώρους όπου μπορεί να προκληθεί στατικός ηλεκτρισμός. Μην αποθηκεύετε την μπαταρία σε μεταλλικό κουτί.
- Αποθηκεύστε την μπαταρία σε χώρο όπου η θερμοκρασία κυμαίνεται μεταξύ 5 °C και 25 °C μακριά από την ηλιακή ακτινοβολία.
- Αποθηκεύστε τον φορτιστή μπαταρίας σε χώρο όπου η θερμοκρασία κυμαίνεται μεταξύ 5 °C και 45 °C μακριά από την ηλιακή ακτινοβολία.
- Βεβαιωθείτε ότι η μπαταρία είναι φορτισμένη κατά 30% - 50% προτού την αποθηκεύσετε για μεγάλο χρονικό διάστημα.
- Αποθηκεύστε το προϊόν, την μπαταρία και τον φορτιστή μπαταρίας σε χώρο που κλειδώνεται, ώστε να μην έχουν πρόσβαση παιδιά και μη εξουσιοδοτημένα άτομα.
- Καθαρίστε το προϊόν και πραγματοποιήστε πλήρες σέρβις προτού το αποθηκεύσετε για μεγάλο χρονικό διάστημα.

Απόρριψη

Τα σύμβολα που υπάρχουν πάνω στο προϊόν ή στη συσκευασία του, υποδεικνύουν ότι δεν πρέπει να μεταχειριστείτε το συγκεκριμένο προϊόν ως οικιακό απόρριμμα. Αντιθέτως, πρέπει να το παραδώσετε σε κατάλληλο σταθμό ανακύκλωσης για ανάκτηση του ηλεκτρικού και ηλεκτρονικού εξοπλισμού.

Εξασφαλίζοντας τη σωστή απόρριψη του προϊόντος, συνεισφέρετε στην αντιμετώπιση πιθανών αρνητικών επιπτώσεων που θα μπορούσε να έχει στο περιβάλλον και τους ανθρώπους η λανθασμένη απόρριψη αυτού του προϊόντος. Για περισσότερες πληροφορίες σχετικά με την ανακύκλωση αυτού του προϊόντος, απευθυνθείτε στο δήμο σας, την τοπική υπηρεσία συλλογής

απορριμμάτων ή το κατάστημα από το οποίο αγοράσατε το προϊόν.



Τεχνικά στοιχεία

Τεχνικά στοιχεία LC 141iV, LC 141i

	LC 141iV	LC 141i
Μοτέρ κοπής		
Τύπος κινητήρα	BLDC (χωρίς ψήκτρες) 36V	BLDC (χωρίς ψήκτρες) 36V
Ταχύτητα κινητήρα - Λειτουργία SavE, σ.α.λ.	2700	2700
Ταχύτητα κινητήρα - Ονομαστική, σ.α.λ.	3100	3100
Ταχύτητα κινητήρα - Υψηλό φορτίο, σ.α.λ.	3700	3700
Ισχύς κινητήρα – μέγ. kW	0,8	0,8
Ισχύς κινητήρα - Ονομαστική, kW	0,55	0,55
Κινητήρας πορείας		
Ισχύς κινητήρα - Ονομαστική, kW	0,25	Δ/Ι
Ταχύτητα αυτόματης πορείας, km/h	3,0-4,5	Δ/Ι
Επίπεδα ρύθμισης ταχύτητας	4	Δ/Ι
Βάρος		
Βάρος χωρίς μπαταρία, kg	21,5	18,6
Μπαταρία ³⁶		
Τύπος μπαταρίας	Σειρά μπαταριών της Husqvarna	Σειρά μπαταριών της Husqvarna
Χρόνος λειτουργίας μπαταρίας		
Χρόνος λειτουργίας μπαταρίας, λεπτά, (ελεύθερη λειτουργία) με ενεργοποιημένη τη λειτουργία εξοικονόμησης SavE, με μία μπαταρία (BLi200) 5,2 Ah της Husqvarna.	77	77
Χρόνος λειτουργίας μπαταρίας, λεπτά, (ελεύθερη λειτουργία) με ενεργοποιημένη την κανονική λειτουργία, με μία μπαταρία (BLi200) 5,2 Ah της Husqvarna.	45	45
Εκπομπές θορύβου ³⁷		
Στάθμη ηχητικής ισχύος, μετρούμενη τιμή σε dB (A)	88	88

³⁶ Για καλύτερα αποτελέσματα και επιδόσεις, συνιστάται η μπαταρία BLi200 της Husqvarna.

³⁷ Οι εκπομπές θορύβου στο περιβάλλον μετρούνται ως ηχητική ισχύς (L_{WA}) σε συμμόρφωση με την Οδηγία 2000/14/ΕΚ.

	LC 141IV	LC 141i
Στάθμη ηχητικής ισχύος, εγγυημένη L_{WA} dB (A)	89	89
Στάθμες θορύβου ³⁸		
Στάθμη πίεσης ήχου στο αυτί του χειριστή, σε dB (A)	83	83
Στάθμες κραδασμών ³⁹		
Λαβή, m/s^2	2,0	2,0
Κοπή		
Ύψος κοπής, mm	25-70	25-70
Πλάτος κοπής, cm	41	41
Λεπίδα, κωδ. είδους	Συλλογή - 5011716-01	Συλλογή - 5011716-01
Χωρητικότητα κάδου συλλογής, λίτρα	50	50

Εγκεκριμένες μπαταρίες	Μάρκα	Τύπος	Χωρητικότητα μπαταρίας, Ah	Τάση, V	Βάρος, lb/kg
BLi10	Husqvarna	Ιόντων λιθίου	2,0	36	1,8/0,8
BLi100	Husqvarna	Ιόντων λιθίου	2,6	36	1,9/0,8
BLi20	Husqvarna	Ιόντων λιθίου	4,0	36	2,7/1,2
BLi200	Husqvarna	Ιόντων λιθίου	5,2	36	2,8/1,3
BLi300	Husqvarna	Ιόντων λιθίου	9,4	36	4,1/1,9

Εγκεκριμένοι φορτιστές για προδιαγραφόμενες μπαταρίες,	Μάρκα	Τάση εισόδου, V	Συχνότητα, Hz	Ισχύς, W
QC80	Husqvarna	100-240	50-60	80
QC80F	Husqvarna	12	0	80
QC250	Husqvarna	220-240	50	250
QC330	Husqvarna	100-240	50-60	330
QC500	Husqvarna	100-240	50-60	500

Τεχνικά στοιχεία LC 141C

	LC 141C
Κινητήρας	

³⁸ Τα καταγεγραμμένα στοιχεία για τη στάθμη πίεσης θορύβου έχουν τυπική στατιστική διασπορά (τυπική απόκλιση) 1,2 dB(A).

³⁹ Τα καταγεγραμμένα στοιχεία για τη στάθμη κραδασμών έχουν τυπική στατιστική διασπορά (τυπική απόκλιση) της τάξης του 0,2 m/s^2 .

	LC 141C
Τύπος κινητήρα	Σειρά κινητήρα AC
Ταχύτητα κινητήρα - Ονομαστική, σ.α.λ.	3200
Ισχύς	1800 W
Τροφοδοσία	Ηλεκτρική, μέσω καλωδίου
Καλώδιο ρεύματος (περιλαμβάνεται μόνο για την αγορά του Ηνωμένου Βασιλείου)	
Τύπος καλωδίου	Καλώδιο επέκτασης 16 m
Βάρος, κιλά	1,6
Βάρος	
Βάρος, κιλά	20,4
Εκπομπές θορύβου ⁴⁰	
Στάθμη ηχητικής ισχύος, μετρούμενη τιμή σε dB (A)	93
Στάθμη ηχητικής ισχύος, εγγυημένη L_{WA} dB (A)	95
Στάθμες ήχου ⁴¹	
Στάθμη πίεσης ήχου στο αυτί του χειριστή, σε dB (A)	85
Στάθμες κραδασμών ⁴²	
Λαβή, m/s^2	2,0
Κοπή	
Ύψος κοπής, mm	25-70
Πλάτος κοπής, cm	41
Λεπίδα, κωδ. είδους	Συλλογή 5011716-01
Χωρητικότητα κάδου συλλογής, λίτρα	50

⁴⁰ Οι εκπομπές θορύβου στο περιβάλλον μετρούνται ως ηχητική ισχύς (L_{WA}) σε συμμόρφωση με την Οδηγία 2000/14/ΕΚ.

⁴¹ Τα καταγεγραμμένα στοιχεία για τη στάθμη πίεσης θορύβου έχουν τυπική στατιστική διασπορά (τυπική απόκλιση) 1,4 dB(A).

⁴² Τα καταγεγραμμένα στοιχεία για τη στάθμη κραδασμών έχουν τυπική στατιστική διασπορά (τυπική απόκλιση) της τάξης του 0,2 m/s^2 .

Δήλωση Συμμόρφωσης ΕΚ

Δήλωση Συμμόρφωσης ΕΚ

Η **Husqvarna AB**, SE-561 82 Huskvarna, Σουηδία, τηλ.: +46-36-146500, δηλώνει ότι τα **χλοοκοπτικά Husqvarna LC 141iV και LC 141i** με αριθμό σειράς 2018XXXXXX και έπειτα και τα **Husqvarna LC 141C** με αριθμός σειράς 2015XXXXXX και έπειτα, συμμορφώνονται με τις απαιτήσεις της ΟΔΗΓΙΑΣ ΤΟΥ ΣΥΜΒΟΥΛΙΟΥ:

- με ημερομηνία 8 Ιουνίου 2011 σχετικά με τον "περιορισμό της χρήσης συγκεκριμένων επικίνδυνων ουσιών" **2011/65/EE**
- με ημερομηνία 17 Μαΐου 2006 "σχετικά με τα μηχανήματα" **2006/42/EK**
- με ημερομηνία 26 Φεβρουαρίου 2014 "σχετικά με την ηλεκτρομαγνητική συμβατότητα" **2014/30/EE**
- με ημερομηνία 8 Μαΐου 2000 "περί εκπομπών θορύβου στο περιβάλλον" **2000/14/EK**

Για πληροφορίες σχετικά με τις εκπομπές θορύβου, βλ. ενότητα "Τεχνικά στοιχεία".

Για την πιστοποίηση των Husqvarna LC 141iV και LC 141i εφαρμόστηκαν τα εξής πρότυπα: **IEC 60335-2-77:2002, IEC 60335-1:2010+A1:2013, EN 55014-1:2017, EN 55014-2:2015, EN 61000-3-2:2014, EN 61000-3-3:2013, EN 62233:2008**

Για την πιστοποίηση των Husqvarna LC 141C εφαρμόστηκαν τα εξής πρότυπα: **EN 60335-1:2012+A11:2014, EN 60335-2-77:2010, EN 62233:2008, EN 55014-1:2017+A11, EN 55014-2:2015, EN 61000-3-2:2019, EN 61000-3-11:2019**

Κοινοποιημένος φορέας: **0404, RISE SMP Svensk Maskinprovning AB, Box 7035, SE-750 07 Uppsala** έχει πραγματοποιήσει αξιολόγηση της συμμόρφωσης σύμφωνα με το Παράρτημα VI της Οδηγίας 2000/14/EK.

Huskvarna, 2020-10-13



Claes Losdal, Development Manager/Garden Products
(Εξουσιοδοτημένος αντιπρόσωπος της Husqvarna AB
και υπεύθυνος για την τεχνική τεκμηρίωση.)

Contenido

Introducción.....	172	Resolución de problemas.....	194
Seguridad.....	175	Transporte, almacenamiento y eliminación.....	195
Montaje.....	184	Datos técnicos.....	196
Funcionamiento.....	186	Declaración de conformidad CE.....	200
Mantenimiento.....	191		

Introducción

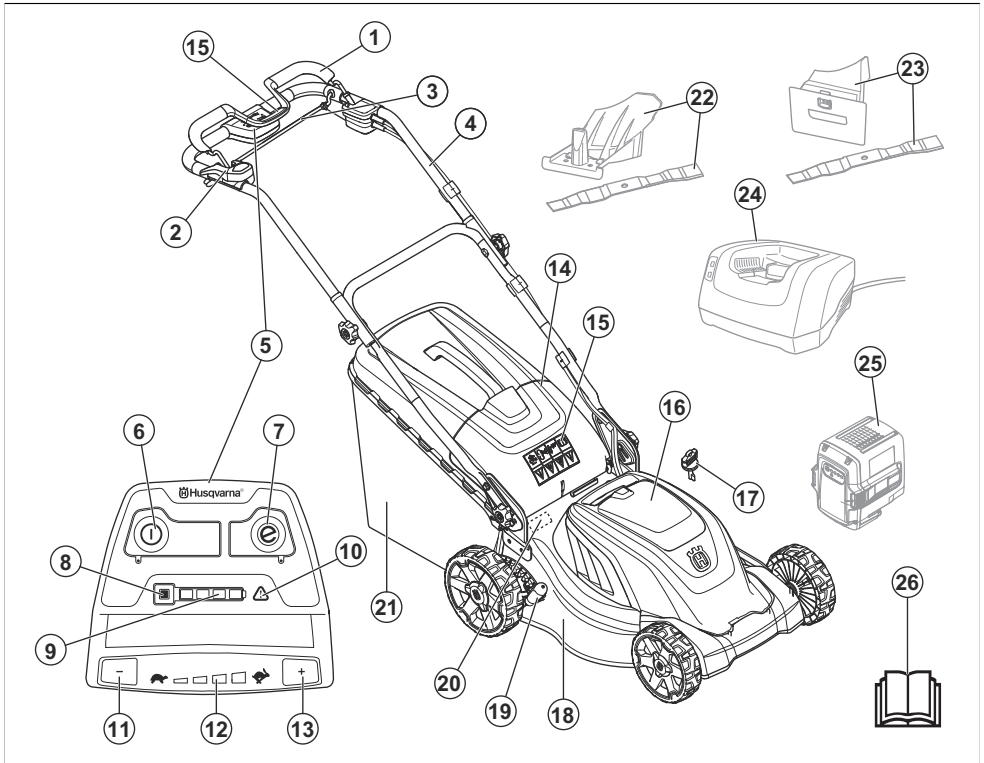
Descripción del producto

El producto es un cortacésped giratorio conducido a pie. La hierba se recoge en un recogedor de césped. Retire el recogedor de césped para utilizar la descarga trasera de hierba. Fije un kit de trituración (accesorio) para cortar la hierba y utilizarla como abono.

Uso previsto

Utilice el producto para cortar hierba. No utilice el producto para otras tareas.

Descripción del producto LC 141iV/LC 141i

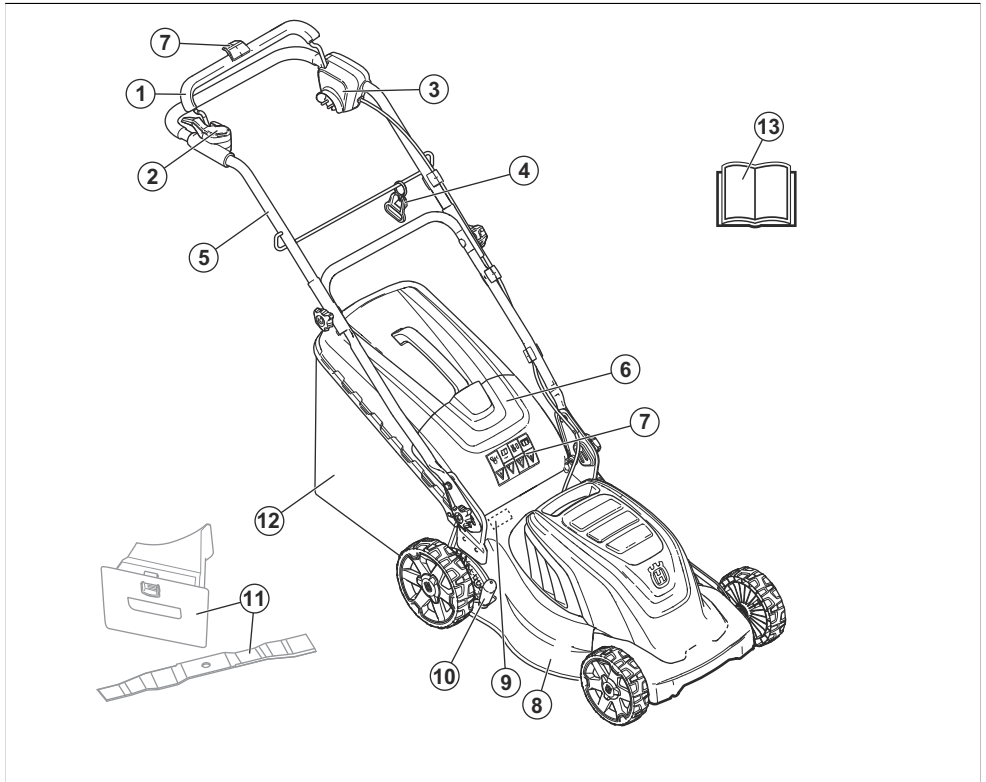


- | | |
|------------------------------------|----------------------------------|
| 1. Palanca del freno del motor | 5. Panel de control |
| 2. Inhibidor de arranque | 6. Botón ON/OFF |
| 3. Mango de transmisión (LC 141iV) | 7. Botón Save |
| 4. Manillar | 8. Botón indicador de la batería |

- 9. Indicador de carga de la batería
- 10. Indicador de advertencia (LED DE ERROR)
- 11. Botón para reducir la velocidad (LC 141iV)
- 12. Indicador de nivel velocidad (LC 141iV)
- 13. Botón para aumentar la velocidad (LC 141iV)
- 14. Cubierta trasera
- 15. Símbolos
- 16. Tapa de la batería
- 17. Llave de seguridad

- 18. Cubierta del equipo de corte
- 19. Palanca de la altura de corte
- 20. Placa de características
- 21. Recogedor de césped
- 22. Kit de trituración (accesorio para LC 141iV)
- 23. Kit de trituración (accesorio para LC 141i)
- 24. Cargador de batería (accesorio)
- 25. Batería (accesorio)
- 26. Manual de usuario

Descripción del producto LC 141C



- 1. Palanca del freno del motor
- 2. Inhibidor de arranque
- 3. Toma del cable de alimentación
- 4. Soporte del cable de alimentación
- 5. Manillar
- 6. Cubierta trasera
- 7. Símbolos
- 8. Cubierta del equipo de corte
- 9. Placa de características
- 10. Palanca de la altura de corte
- 11. Tapón del triturador (accesorio)

- 12. Recogedor de césped
- 13. Manual de usuario

Símbolos que aparecen en el producto



Si el producto no se usa con cuidado y de la forma correcta, el usuario o las personas que se encuentren

cerca pueden sufrir lesiones personales o incluso la muerte.



Lea el manual de usuario y asegúrese de que entiende las instrucciones antes de utilizar este producto.



Mantenga a las personas y animales a una distancia de seguridad respecto a la zona de trabajo.



Tenga cuidado con los objetos lanzados o rebotados.



Advertencia: Mantenga alejados las manos y los pies de la cuchilla giratoria.



Advertencia: Mantenga alejados las manos y los pies de las piezas giratorias.



Retire la llave de seguridad antes de realizar tareas de mantenimiento en el producto. (Modelo LC 141iV/LC 141i)



Desconecte el producto de la toma eléctrica antes de realizar tareas de mantenimiento en él. (Modelo LC 141C)

IPX1

IPX1 - El producto está protegido frente al goteo de agua (modelo LC 141iV/LC 141i)

IPX4

IPX4 - El producto está protegido frente a las salpicaduras de agua (modelo LC 141C)



No exponga el producto a la lluvia (modelo LC 141iV/LC 141i)



Advertencia: No utilice el producto sobre el cable de alimentación, ya que podría producirse una descarga eléctrica o daños en el producto. (Modelo LC 141C)

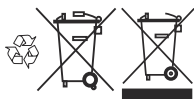
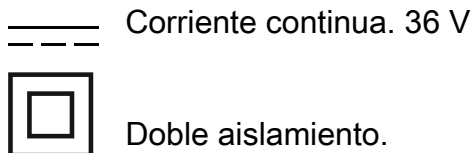
CE

Este producto cumple con las directivas CE vigentes.



Las emisiones sonoras en el entorno según la directiva de la Comunidad Europea. Las emisiones del

producto se indican en el capítulo «Datos técnicos» y en la etiqueta.



Recicle el producto en un centro de reciclaje para equipos eléctricos y electrónicos. (Aplicable solo para Europa)



Procedimiento de arranque para el modelo LC 141iV/
LC 141i: presione el botón ON/OFF, suelte el inhibidor de arranque, presione la palanca del freno del motor.



Procedimiento de arranque para el modelo LC 141C: suelte el inhibidor de arranque, presione la palanca del freno del motor.



Suelte la palanca del freno del motor para detenerlo.



Lento



Rápido



Código escaneable

Nota: Los demás símbolos/etiquetas que aparecen en el producto corresponden a requisitos de homologación específicos en algunos mercados.

Responsabilidad sobre el producto

Como se estipula en las leyes de responsabilidad del producto, no nos hacemos responsables de los daños y perjuicios causados por nuestro producto si:

- El producto se ha reparado incorrectamente.
- El producto se ha reparado con piezas que no eran del fabricante o no autorizadas por el fabricante.
- El producto tiene un accesorio que no es del fabricante o no está autorizado por este.
- El producto no se ha reparado en un centro de servicio autorizado o por un organismo homologado.

Seguridad

Definiciones de seguridad

Las advertencias, precauciones y notas se utilizan para destacar información especialmente importante del manual.



ADVERTENCIA: Indica un riesgo de lesiones o incluso de muerte del usuario o de las personas cercanas si no se respetan las instrucciones del manual.



PRECAUCIÓN: Indica un riesgo de daños en el producto, otros materiales o el área adyacente si no se respetan las instrucciones del manual.

Nota: Se usa para proporcionar más información necesaria en una situación determinada.

Instrucciones generales de seguridad



ADVERTENCIA: Lea las siguientes instrucciones de advertencia antes de utilizar el producto.

- Este producto es una herramienta peligrosa si se usa incorrectamente o si no se tiene cuidado. Puede causar lesiones graves o incluso la muerte si no siguen las instrucciones de seguridad.
- Este producto genera un campo electromagnético durante el funcionamiento. Este campo magnético puede, en determinadas circunstancias, interferir con implantes médicos activos o pasivos. Para reducir el riesgo de que se den condiciones que provocarían lesiones graves o letales, las personas que utilizan implantes médicos deben consultar con su médico y con el fabricante del implante antes de poner en marcha este producto.
- Proceda siempre con cuidado y utilice siempre el sentido común. Si no está seguro de cómo manejar el producto en una situación especial, pare y consulte con su distribuidor Husqvarna antes de continuar.
- Debe tenerse en cuenta que el operador será responsable de los accidentes que involucren a otras personas o a su propiedad.
- Mantenga el producto limpio. Asegúrese de que puede leer claramente las etiquetas.
- No permita que niños ni adultos que no estén familiarizados con estas instrucciones utilicen el aparato. Las normas de seguridad locales pueden fijar límites a la edad del operador
- Si una persona con discapacidad física o mental usa el producto, asegúrese de supervisarla en todo momento. Debe haber presente en todo momento una persona mayor de edad responsable.
- No utilice el producto si está cansado, enfermo o si se encuentra bajo los efectos de alcohol, drogas o medicamentos. Esto tiene un efecto negativo en su visión,

vigilancia, coordinación y capacidad de decisión.

- No utilice el producto si está defectuoso.
- No modifique este producto ni lo utilice si puede haber sido modificado por otras personas.

Seguridad en el área de trabajo



ADVERTENCIA: Lea las siguientes instrucciones de advertencia antes de utilizar el producto.

- Retire objetos tales como ramas, palos y piedras de la zona de trabajo antes de usar el producto.
- Los objetos que chocan contra el equipo de corte pueden salir despedidos y causar daños a personas y objetos. Mantenga a las personas y los animales a una distancia de seguridad respecto al producto.
- No utilice el producto en condiciones climáticas desfavorables, como niebla, lluvia, viento fuerte, frío intenso y riesgo de relámpagos. El uso del producto en condiciones climáticas desfavorables o en entornos húmedos o mojados produce mucho cansancio. El

mal tiempo puede causar condiciones peligrosas, como superficies resbaladizas.

- Preste atención a las personas, objetos y situaciones que puedan impedir el funcionamiento seguro del producto.
- Tenga cuidado con los posibles obstáculos, como raíces, piedras, ramas, hoyos y zanjas. El césped crecido puede esconder obstáculos.
- Cortar el césped en pendientes puede resultar peligroso. No utilice la máquina en pendientes excesivamente pronunciadas. No utilice el producto en pendientes de más de 15°.
- Tenga sumo cuidado al cambiar de dirección en pendientes. Utilice el producto a lo largo de las laderas de las pendientes. No se desplace hacia arriba y hacia abajo.
- Tenga cuidado cuando se acerque a esquinas y objetos escondidos que puedan bloquear su campo de visión.

Seguridad en el trabajo



ADVERTENCIA: Lea las siguientes instrucciones de advertencia antes de utilizar el producto.

- Utilice este producto para cortar solamente césped. No está permitido utilizar el producto para otras tareas.
- Utilice el equipo de protección personal. Consulte la sección *Equipo de protección personal en la página 179*.
- Asegúrese de que sabe cómo detener el motor rápidamente en caso de emergencia.
- No utilice el producto bajo la lluvia ni en ambientes húmedos. El riesgo de sacudida eléctrica aumenta si entra agua en el producto.
- No utilice el producto a menos que la cuchilla y todas las cubiertas estén fijadas correctamente. Una cuchilla fijada incorrectamente puede soltarse y provocar daños personales.
- Asegúrese de que la cuchilla no golpea ningún objeto, como piedras y raíces. Esto puede causar daños a la cuchilla y doblar el eje del motor. Un eje doblado causa vibraciones excesivas y un riesgo muy alto de que la cuchilla se suelte.
- Si la cuchilla choca con algún objeto o si se producen vibraciones, pare el producto inmediatamente. Pare el motor, gire la llave de seguridad hasta la posición 0 y extraiga la batería (modelos LC 141iV y LC 141i) o desconecte el cable de alimentación (modelo LC 141C). Examine el producto para comprobar si presenta daños. Repare los daños o lleve el producto a un taller de servicio autorizado para realizar la reparación.
- No acople la palanca del freno del motor permanentemente al manillar cuando el motor esté encendido.
- Ponga el producto en una superficie plana y estable, y arránquelo. Asegúrese de que la cuchilla no entre en contacto con el suelo u otros objetos.
- Manténgase siempre detrás del producto durante su uso.
- Mientras utilice el producto, mantenga todas las ruedas apoyadas en el suelo y las dos manos en el manillar. Mantenga alejados las manos y los pies de las cuchillas giratorias.
- No incline el producto con el motor en marcha.
- Tenga cuidado cuando tire del producto hacia atrás.
- Nunca levante el producto con el motor en marcha. Si tiene que levantar el

producto, detenga el motor en primer lugar, gire la llave de seguridad hasta la posición 0 y extraiga la batería (modelos LC 141iV y LC 141i) o desconecte el cable de alimentación (modelo LC 141C).

- No camine hacia atrás mientras utiliza el producto.
- Detenga el motor cuando se desplace por áreas sin hierba, por ejemplo, caminos de grava, piedra y asfalto.
- No corra con el producto con el motor en marcha. Camine siempre mientras utiliza el producto.
- Detenga el motor antes de cambiar la altura de corte. Nunca realice ajustes con el motor en marcha.
- No deje el producto desatendido con el motor en marcha. Pare el motor y asegúrese de que el equipo de corte no gire.

Instrucciones de seguridad para el funcionamiento

Equipo de protección personal



ADVERTENCIA: Lea las siguientes instrucciones de advertencia antes de utilizar el producto.

- El equipo de protección personal no elimina completamente el riesgo de lesiones, pero reduce la gravedad de las lesiones en caso de accidente. Deje que el distribuidor le ayude a seleccionar el equipo adecuado.
- Utilice botas o zapatos de trabajo antideslizantes. No utilice calzado abierto ni vaya descalzo.
- Utilice pantalones largos gruesos.
- Utilice guantes protectores cuando sea necesario, por ejemplo, para el montaje, inspección o limpieza del equipo de corte.

Dispositivos de seguridad en el producto



ADVERTENCIA: Lea las siguientes instrucciones de advertencia antes de utilizar el producto.

- No utilice un producto que tenga dispositivos de seguridad defectuosos.
- Realice una comprobación de los dispositivos de seguridad con frecuencia. Si los dispositivos de seguridad están defectuosos, hable con su taller de servicio Husqvarna.

Comprobación de la cubierta del equipo de corte

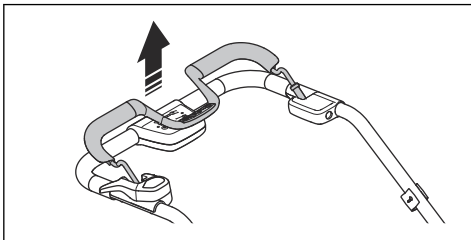
La cubierta del equipo de corte disminuye las vibraciones en el producto y el riesgo de lesiones provocadas por la cuchilla.

- Examine la cubierta de corte para asegurarse de que no haya daños como, por ejemplo, grietas.

Palanca del freno del motor

La maneta del freno del motor detiene el motor. Cuando se suelta la maneta del freno del motor, el motor se para.

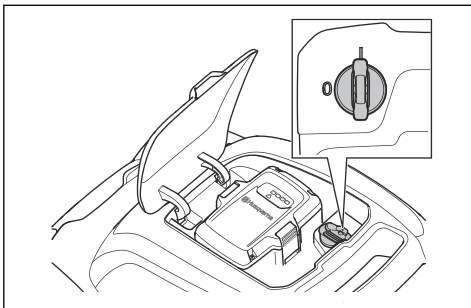
Para realizar una comprobación del freno del motor, arranque el motor y luego suelte la maneta del freno del motor. Si el motor no se detiene en 3 segundos, lleve el producto a un taller de servicio Husqvarna autorizado para realizar el ajuste del freno del motor.



Llave de seguridad (modelos LC 141IV y LC 141I)

La llave de seguridad se encuentra debajo de la tapa de la batería. La llave de seguridad conecta la batería que suministra electricidad al motor.

- Arranque y detenga el motor para realizar una comprobación de la llave de seguridad.
- Si la llave de seguridad funciona correctamente, el motor solo arranca cuando la llave está en la posición 1.

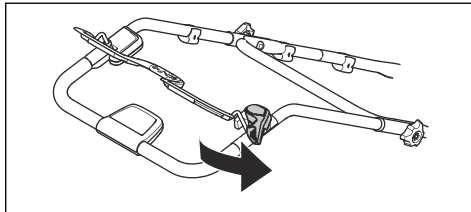


Para examinar el inhibidor de arranque

Compruebe el inhibidor de arranque para verificar que evita el funcionamiento del motor.

1. Empuje la palanca del freno del motor hacia el manillar. El inhibidor de arranque impide el movimiento.

2. Empuje el inhibidor de arranque hacia fuera.

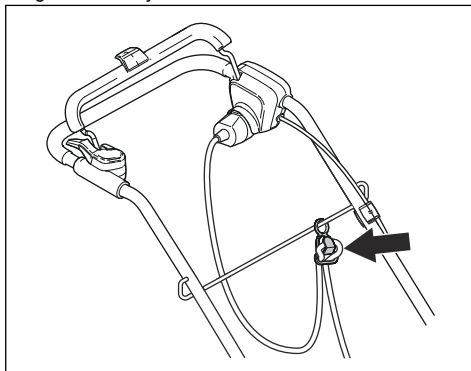


3. Suelte el inhibidor de arranque y asegúrese de que regresa a su posición inicial.

Para utilizar el soporte del cable de alimentación (modelo LC 141C)

El soporte del cable de alimentación reduce la carga sobre la toma y el cable de alimentación. El soporte del cable de alimentación también disminuye el riesgo de caída.

1. Curve el cable de alimentación hasta formar un pequeño lazo.
2. Introduzca el lazo en el orificio del soporte del cable de alimentación.
3. Coloque el lazo alrededor del gancho de sujeción.
4. Tire del cable de alimentación para ajustar el lazo al gancho de sujeción.



Seguridad de la batería



ADVERTENCIA: Lea las siguientes instrucciones de advertencia antes de utilizar el producto.

- Utilice solamente pilas recargables Husqvarna como

fuentes de alimentación para otros productos Husqvarna relacionados. Para evitar lesiones, no utilice la batería como fuente de alimentación de otros dispositivos.

- No utilice baterías no recargables.
- Riesgo de descarga eléctrica. No conecte los terminales de la batería a llaves, monedas, tornillos u otros objetos metálicos. Esto puede provocar un cortocircuito en la batería.
- No coloque objetos en las ranuras de ventilación de la batería.
- Mantenga la batería lejos de la luz directa del sol, de fuentes de calor o de llamas abiertas. La batería puede explotar y provocar quemaduras graves y/o quemaduras químicas.
- Mantenga la batería resguardada de la lluvia y la humedad.
- Mantenga la batería lejos de microondas y fuentes de alta presión.
- No intente desmontar o romper la batería.
- Si se produce una fuga en la batería, no permita que el líquido entre en contacto con el cuerpo ni con los ojos. Si

toca el líquido, limpie el área con abundante agua y busque asistencia médica.

- Utilice la batería con temperaturas de entre -10°C y 40°C .
- No limpie la batería o el cargador con agua. Consulte *Para limpiar la batería y el cargador de la batería en la página 192*.
- No utilice una batería defectuosa o dañada.
- Guarde la batería alejada de objetos metálicos, como clavos, monedas o joyas.

Seguridad del cargador de la batería



ADVERTENCIA: Lea las siguientes instrucciones de advertencia antes de utilizar el producto.

- Utilice solamente cargadores de baterías QC para cargar las baterías de repuesto Husqvarna.
- Riesgo de sacudida eléctrica o cortocircuito. No coloque objetos en las ranuras de ventilación del cargador. No intente desmontar el cargador de batería. No conecte los terminales del cargador a objetos metálicos. Utilice una

toma de corriente homologada.

- Este producto genera un campo electromagnético durante el funcionamiento. Este campo magnético puede, en determinadas circunstancias, interferir con implantes médicos activos o pasivos. Para reducir el riesgo de que se den condiciones que provocarían lesiones graves o letales, las personas que utilizan implantes médicos deben consultar con su médico y con el fabricante del implante antes de poner en marcha este producto.
- Compruebe con regularidad que el cable de alimentación del cargador de batería no esté dañado ni agrietado.
- No levante el cargador de la batería tirando del cable de alimentación. Para desconectar el cargador de batería de la toma de corriente, tire del enchufe. No tire del cable de alimentación.
- Mantenga el cable de alimentación y los cables de empalme apartados de agua, aceite y cantos agudos. Proceda con cuidado para evitar que el cable se enganche en puertas, vallas o similares. De lo contrario, el cargador podría transmitir corriente.
- No limpie el cargador de la batería con agua.
- Los niños mayores de ocho años y las personas con facultades físicas, psíquicas o sensoriales disminuidas, o sin la experiencia y los conocimientos necesarios pueden usar el cargador de batería si se les supervisa o instruye en lo que respecta al uso seguro del aparato y comprenden los peligros existentes. Los niños no deben jugar con el cargador de batería. Los niños no deberán llevar a cabo la limpieza ni el mantenimiento del usuario sin supervisión.
- No intente cargar baterías no recargables en el cargador de la batería.
- No utilice el cargador de batería cerca de materiales inflamables o corrosivos. No cubra el cargador. Desenchufe el cargador de batería en caso de humareda o incendio.
- No utilice un cargador de batería defectuoso o dañado.
- Solo cargue la batería en interiores si se trata de una estancia con buena ventilación y lejos de la luz solar directa.

No cargue la batería en un entorno húmedo.

Seguridad relacionada con el cable de alimentación

Para el modelo LC 141C.

- Se recomienda el uso de un dispositivo de corriente residual (R.C.D.) con una corriente de desconexión no superior a 30 mA. Incluso con un dispositivo R.C.D. instalado no es posible garantizar la seguridad al 100 %, por lo que se debe obedecer en todo momento a procedimientos de trabajo seguros. Compruebe su R.C.D. cada vez que lo utilice.
- Si el cable de alimentación presenta cortes, o el aislamiento está dañado, desenchúfelo inmediatamente de la red eléctrica.
- Si el cable de alimentación está cortado o dañado, no lo toque hasta haber desconectado el suministro eléctrico.
- No repare el cable de alimentación si está cortado o dañado. Sustitúyalo por uno nuevo.

Instrucciones de seguridad para el mantenimiento



ADVERTENCIA: Lea las siguientes instrucciones de advertencia antes de utilizar el producto.

- Para el modelo LC 141iV, LC 141i: Para evitar el arranque accidental durante el mantenimiento, gire la llave de seguridad a la posición 0 y retire la batería. Espere al menos 5 segundos antes de empezar los trabajos de mantenimiento.
- Para el modelo LC 141C: Para evitar un arranque accidental durante el mantenimiento, desconecte el cable de alimentación.
- Realice los trabajos de mantenimiento correctamente para aumentar la vida útil del producto y reducir el riesgo de accidentes. Deje que un taller de servicio homologado haga las reparaciones profesionales. Póngase en contacto con su taller de servicio más cercano para obtener más información.
- Realice únicamente las tareas de mantenimiento que figuran en este manual de usuario. Los trabajos de mayor envergadura debe realizarlos un taller de servicio autorizado.
- Utilice guantes resistentes al utilizar el equipo de corte. La cuchilla está muy afilada y se pueden producir cortes con mucha facilidad.

- Mantenga los bordes cortantes afilados y limpios para obtener los mejores resultados con la máxima seguridad.
- Diríjase a su taller de servicio para que examine el producto regularmente y para que realice ajustes y reparaciones necesarios.
- Cambie las piezas dañadas, desgastadas o rotas.
- Respete las instrucciones correspondientes al cambio de

accesorios. Utilice únicamente los accesorios del fabricante.

- Cuando no esté en funcionamiento, mantenga el producto, la batería y cargador de batería aparte en un lugar seco, interior y bajo llave. Asegúrese de que los niños y personas que no cuenten con autorización no puedan acceder al producto, la batería o el cargador de batería.

Montaje

Introducción



ADVERTENCIA: Antes de montar este producto, lea el capítulo sobre seguridad.

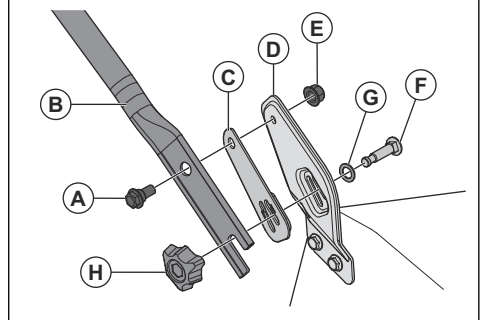


ADVERTENCIA: Para el modelo LC 141iV, LC 141i: Para evitar un arranque accidental durante el montaje, gire la llave de seguridad hasta la posición 0, retire la batería y espere al menos 5 segundos.

Para el modelo LC 141C: Para evitar un arranque accidental durante el montaje, desconecte el cable de alimentación.

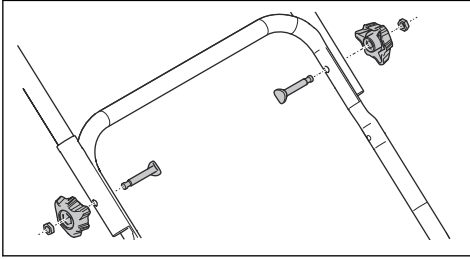
Montaje del manillar

1. Coloque el tornillo (A) a través del manillar (B), la arandela de plástico (C) y el soporte del manillar (D).

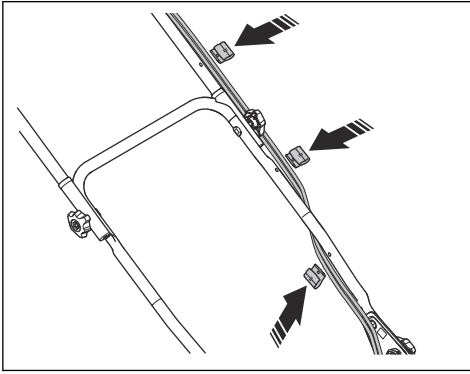


2. Apriete la tuerca (E) completamente.
3. Coloque el tornillo (F) a través de la arandela (G) y el soporte del manillar.
4. Apriete la ruedecilla (H) por completo.

5. Alinee los orificios de la parte superior del manillar con los de la parte inferior y fije los tornillos, arandelas y ruedecillas. Apriete las ruedecillas por completo.

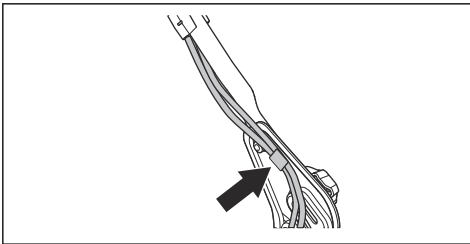


6. Fije los cables al manillar con los soportes.



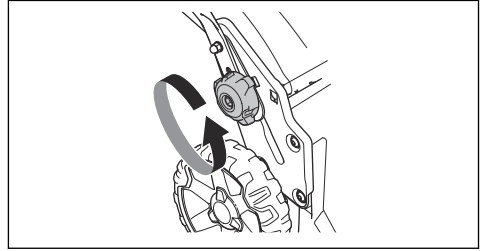
Nota: Asegúrese de los cables no estén demasiado tensos. Una tensión demasiado alta puede provocar daños en el cable si el manillar se pliega en la posición de transporte.

7. Coloque los cables alrededor del gancho en la parte inferior del manillar.

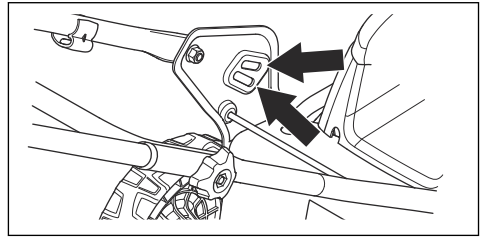


Para regular la altura del manillar

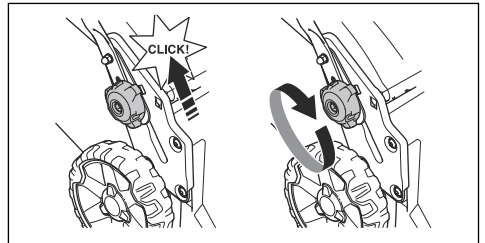
1. Afloje las ruedecillas inferiores.



2. Retire la ruedecilla, la arandela y el tornillo del lado izquierdo y del derecho.
3. El manillar puede ajustarse en 2 alturas diferentes. Vuelva a colocar los tornillos en uno de los 2 orificios del lado izquierdo y del derecho.

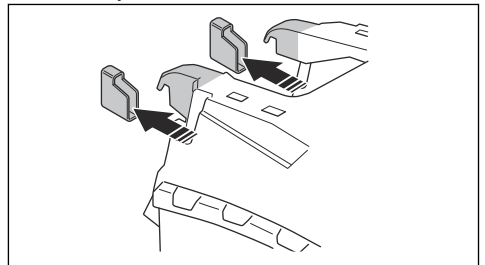


4. Fije los tornillos, las arandelas y las ruedecillas.
5. Mueva las ruedecillas hacia arriba, en dirección al manillar, hasta que finalice su recorrido y escuche un clic. Apriete las ruedecillas por completo.

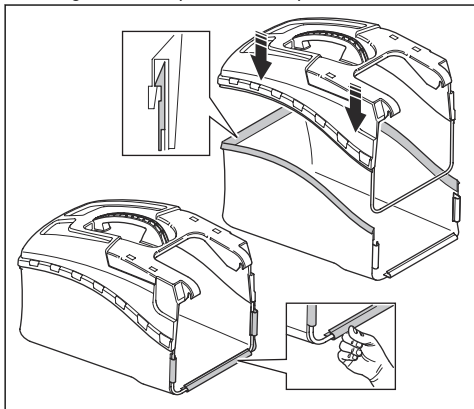


Para montar el recogedor de césped

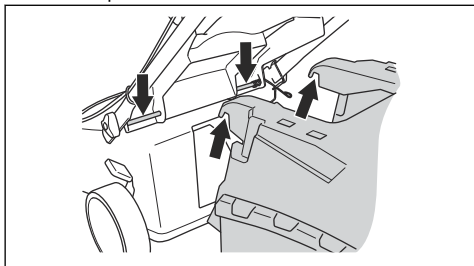
1. Tire de las 2 cubiertas de transporte hacia afuera y hacia abajo.



- Coloque la parte superior del recogedor de césped sobre la parte inferior del mismo. Fije el bastidor del recogedor de césped con los clips.

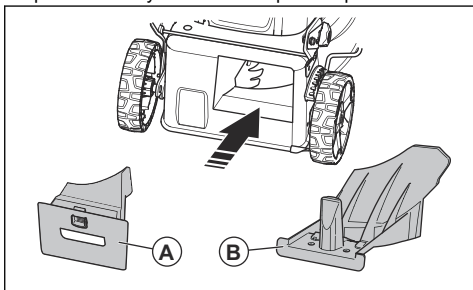


- Levante la cubierta trasera.
- Encaje los ganchos del recogedor de césped en el borde superior del chasis.



Para montar el kit de trituración

- Levante la cubierta trasera y extraiga el recogedor de césped.
- Coloque el tapón del triturador en el canal de descarga de césped. El tapón del triturador tipo A es para LC 141i y LC 141C. El tipo B es para LC 141iV.



- Cierre la cubierta trasera.
- Sustituya la cuchilla convencional por la cuchilla Combi, consulte *Para retirar y sustituir la cuchilla en la página 193*.

Funcionamiento

Introducción



ADVERTENCIA: Antes de utilizar el producto, debe leer y entender el capítulo sobre seguridad.

Husqvarna Connect

Husqvarna Connect es una aplicación gratuita para su dispositivo móvil. La aplicación Husqvarna Connect proporciona más funciones para su producto Husqvarna:

- Información ampliada sobre el producto.
- Información y asistencia sobre piezas y mantenimiento de productos.

Para empezar a utilizar Husqvarna Connect

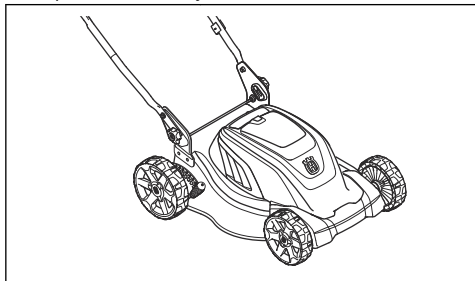
- Descargue la aplicación Husqvarna Connect en su dispositivo móvil.

- Registre una cuenta en la aplicación Husqvarna Connect.
- Siga las instrucciones de la aplicación Husqvarna Connect para conectarse y registrar el producto.

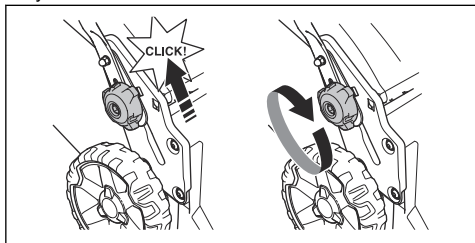
Ajuste del producto en la posición de trabajo

Si el manillar está colocado en la posición de transporte y almacenado (consulte *Para ajustar el producto en la posición de transporte en la página 195*), realice el siguiente procedimiento para volver a colocarlo en la posición de trabajo.

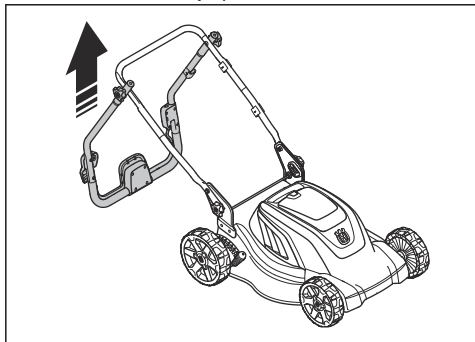
1. Levante el manillar hasta que quede bloqueado en la posición de trabajo.



2. Mueva las ruedecillas inferiores hacia arriba, en dirección al manillar, hasta que finalicen su recorrido y se escuche un clic.



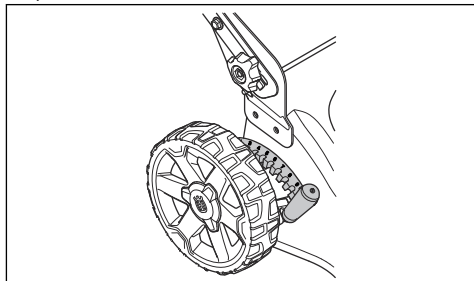
3. Apriete las ruedecillas.
4. Levante el manillar y apriete las ruedecillas.



Para ajustar la altura de corte

1. Mueva la palanca de altura de corte hacia atrás para aumentar la altura de corte.

2. Mueva la palanca de altura de corte hacia delante para reducir la altura de corte.



PRECAUCIÓN: No ajuste la altura de corte demasiado baja. Las cuchillas pueden golpear el suelo si la superficie del césped no está nivelada.

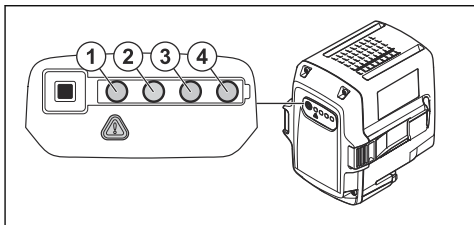
Batería



ADVERTENCIA: Antes de usar la batería, debe leer y entender el capítulo sobre seguridad. También debe leer y comprender el manual de usuario de la batería y el cargador de la batería.

Estado de la batería

La pantalla muestra la capacidad restante de la batería y si hay algún problema con la batería. La carga de la batería se muestra durante cinco segundos después de apagar el producto o pulsar el botón del indicador de la batería. El símbolo de advertencia de la batería se enciende cuando se produce un error. Consulte *Batería en la página 194*.



Indicadores LED	Estado de la batería
Todos los LED están encendidos	Carga completa (75-100 %)
LED 1, LED 2 y LED 3 encendidos	La batería tiene una carga del 50 %-75 %
LED 1 y LED 2 encendidos	La batería tiene una carga del 25 %-50 %

Indicadores LED	Estado de la batería
LED 1 encendido	La batería tiene una carga del 0 %-25 %.
El LED 1 parpadea	La batería está descargada. Cargue la batería.

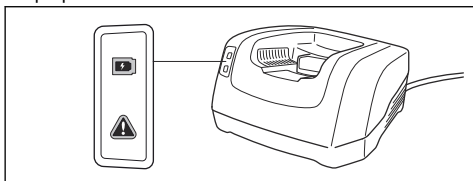
Para cargar la batería

Cargue la batería antes de utilizarla por primera vez. La batería solo tiene un 30 % de carga cuando se entrega al cliente.

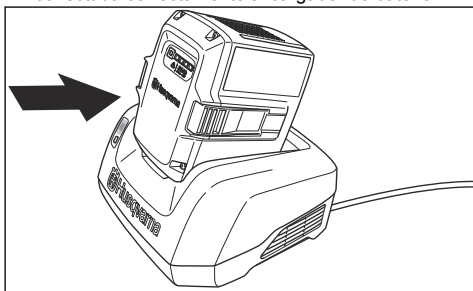
Nota: El cargador de la batería debe estar conectado a la tensión y la frecuencia indicadas en la placa de características.

La batería no se cargará si su temperatura es superior a 50 °C. El cargador de batería disminuye la temperatura de la batería antes de empezar a cargarse.

1. Conecte un extremo del cable de alimentación del cargador de batería a la toma de este último.
2. Conecte el otro extremo del cable de alimentación del cargador de batería a un enchufe de corriente con toma de tierra. El LED del cargador de batería parpadea de color verde una vez.



3. Coloque la batería en el cargador. La luz verde del cargador se enciende cuando la batería está conectada correctamente al cargador de batería.



4. Cuando todos los LED de la batería se hayan encendido, la batería estará totalmente cargada. Cargue la batería durante un máximo de 24 horas.
5. Para desconectar el cargador de la toma de corriente, tire del enchufe, no del cable de alimentación.
6. Retire la batería del cargador.

Estado de la carga de la batería

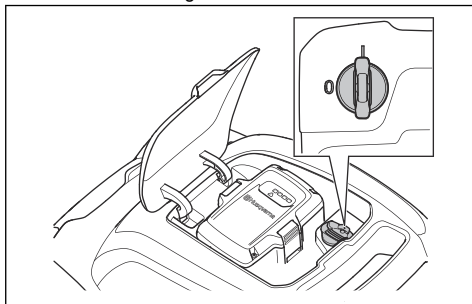
Una batería de iones de litio de Husqvarna se puede cargar o utilizar sea cual sea su nivel de carga. La batería no sufre daños. La carga de una batería completamente cargada no se pierde aun cuando se deje en el cargador.

Indicadores LED	Estado de carga
El LED 1 parpadea	0 %-25 %
LED 1 encendido y LED 2 parpadeando	25 %-50 %
LED 1 y LED 2 encendidos; LED 3 parpadeando.	50 %-75 %
LED 1, LED 2 y LED 3 encendidos; LED 4 parpadeando.	75 %-100 %
LED 1, LED 2, LED 3 y LED 4 encendidos	Completamente cargada

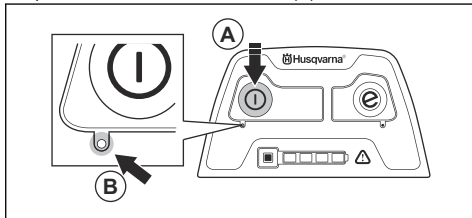
Cómo manejar LC 141iV y LC 141i

Arranque del producto.

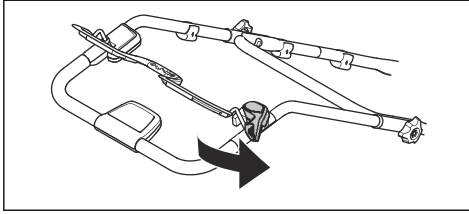
1. Coloque una batería cargada en el compartimento de la batería.
2. Gire la llave de seguridad a 1.



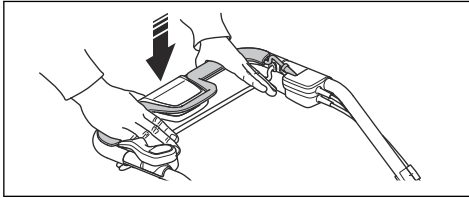
3. Manténgase detrás del producto.
4. Pulse el botón de encendido/apagado (A) en el panel de control; el LED verde (B) se enciende.



5. Afloje el inhibidor de arranque.

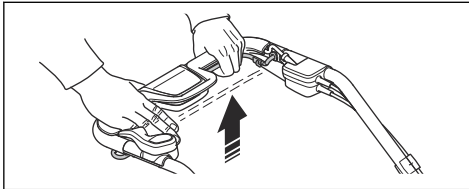


6. Empuje la maneta del freno del motor hacia el manillar.

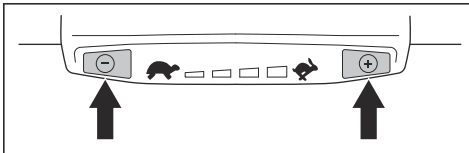


Para usar de la transmisión en las ruedas

- Modelo LC 141iV. Tire del mango de transmisión en la dirección del manillar para arrancar la transmisión.



- Pulse + y - en el panel de control para ajustar la velocidad de la transmisión en 4 pasos.

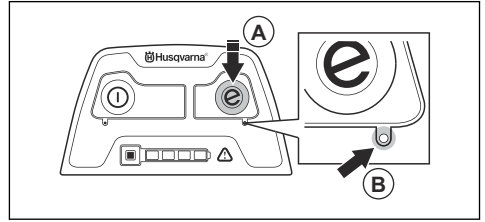


- Suelte el mango de transmisión para desacoplar la transmisión, por ejemplo, cuando se acerque a un obstáculo.

Para usar la función SavE

El producto cuenta con una función de ahorro de batería (SavE) que le permite funcionar durante más tiempo.

1. Pulse el botón SavE (A) para iniciar la función. El LED verde se enciende.



2. Pulse de nuevo el botón SavE para detener la función. El LED verde (B) se apaga.

La función SavE se detiene automáticamente si las condiciones del terreno requieren una mayor potencia. La función SavE se pone en marcha automáticamente cuando las condiciones del terreno lo permiten.

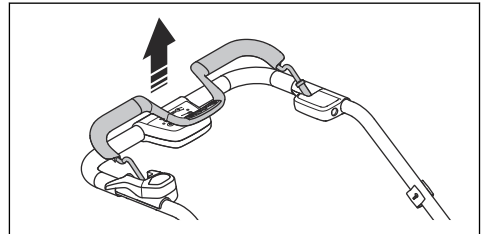
Función de carga alta

Cuando el producto corta hierba larga o húmeda, el motor aumenta automáticamente las revoluciones. El motor regresa al modo normal cuando no se necesitan cargas altas.

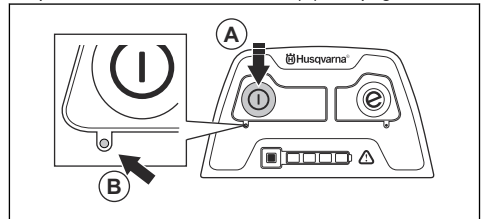
Para detener el producto

El producto se detiene automáticamente si no se utiliza durante 10 minutos. Apague siempre la llave de seguridad poniéndola en la posición 0 antes de dejar el producto fuera de la vista.

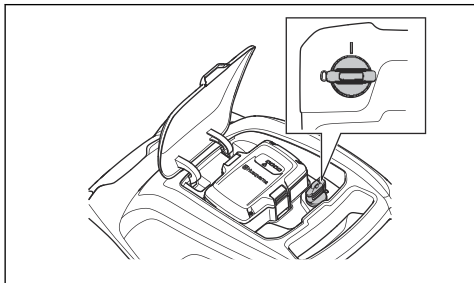
1. Suelte la maneta del freno del motor para detener el motor.



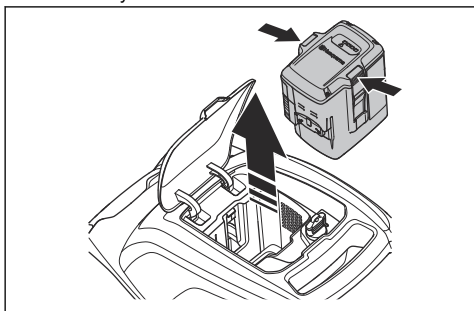
2. Pulse el botón de encendido/apagado (A) en el panel de control; el LED verde (B) se apaga.



- Abra la tapa de la batería y gire la llave de seguridad hasta 0.



- Para extraer la batería, presione los 2 botones de liberación y tire de ella hacia fuera.



- Cargue la batería si está baja. Para obtener más información, consulte *Para cargar la batería en la página 188*.

Para manejar el LC 141C

Para seleccionar un cable homologado (LC 141C)

Nota: Para el mercado del Reino Unido: utilice únicamente el cable de extensión 16M que viene con el producto. Para todos los demás mercados: consulte la información siguiente.

Si se utilizan cables de extensión, estos deben cumplir con la sección transversal mínima de la tabla siguiente:

Tensión	Longitud del cable	Sección transversal
220-240 V / 50 Hz	Hasta 20 m	1,5 mm ²
220-240 V / 50 Hz	20-50 m	2,5 mm ²

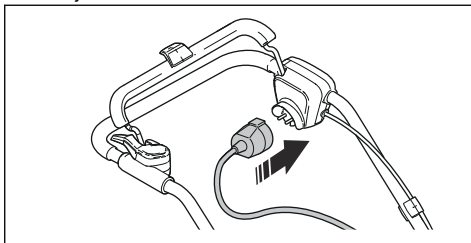
- Los cables de alimentación y los cables de extensión se encuentran a su disposición en el taller de servicio autorizado para los productos para exteriores Husqvarna.
- Utilice exclusivamente cables de extensión diseñados específicamente para su uso en

exteriores y que cumplan una de las siguientes especificaciones: Goma convencional (60245 IEC 53), PVC convencional (60227 IEC 53) o PCP convencional (60245 IEC 57)

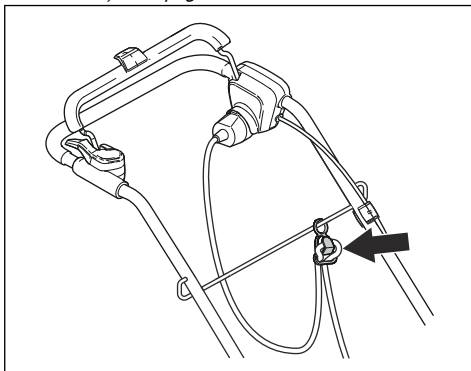
- Si el cable está dañado, debe ser sustituido por el fabricante, su taller de servicio o una persona cualificada para evitar cualquier peligro.

Arranque del producto.

- Conecte un cable de alimentación a la toma situada debajo del manillar.

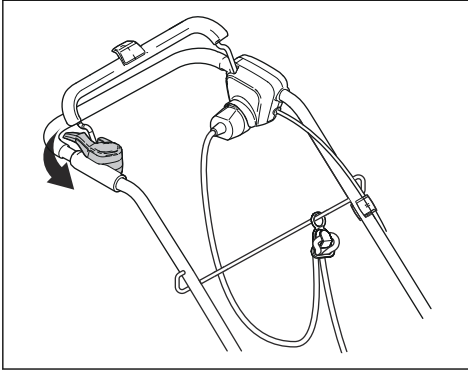


- Coloque el cable de alimentación en el soporte del cable de alimentación. Consulte la sección *Para utilizar el soporte del cable de alimentación (modelo LC 141C) en la página 180*.

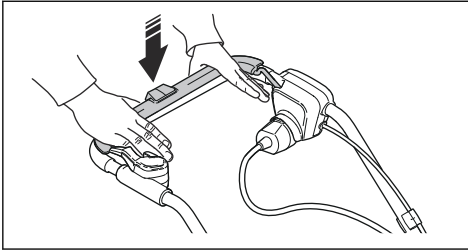


- Manténgase detrás del producto.

4. Afloje el inhibidor de arranque.

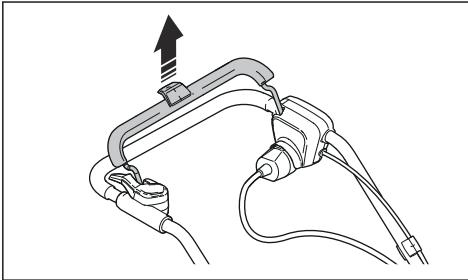


5. Empuje la palanca del freno del motor hacia el manillar.

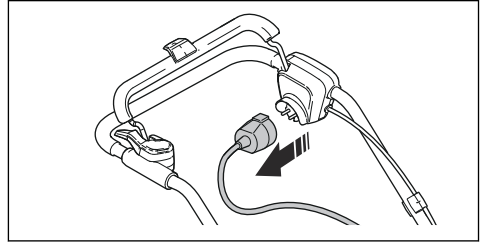


Para detener el producto

1. Suelte la maneta del freno del motor para detener el motor.



2. Desconecte el cable de alimentación de la red eléctrica y, a continuación, del producto.



PRECAUCIÓN: Tire de la clavija recto hacia fuera. No tire del cable de alimentación.

Para obtener un buen resultado

- Use siempre una cuchilla afilada. Un cuchilla roma proporciona un resultado irregular y la superficie de corte de la hierba adquiere un tono amarillo. Una cuchilla afilada también utiliza menos energía que una cuchilla roma.
- No corte más de $\frac{1}{3}$ de la longitud del césped. Corte primero con una altura de corte alta. Examine el resultado y baje la altura de corte al nivel que corresponda. Si la hierba está muy larga, vaya despacio y corte dos veces si es necesario.
- Corte en direcciones distintas cada vez para evitar crear rayas en el césped.

Mantenimiento

Introducción



ADVERTENCIA: Antes de realizar cualquier trabajo de mantenimiento, debe leer y entender el capítulo sobre seguridad.

Para todos los trabajos de mantenimiento y reparación del producto, es necesario realizar una formación especial. Nosotros garantizamos que los trabajos de mantenimiento y reparación sean realizados por

profesionales. Si su distribuidor no es un taller de servicio, pídale información sobre el taller de servicio más cercano.

Programa de mantenimiento

Los intervalos de mantenimiento se calculan a partir del uso diario del producto. Los intervalos cambian si el producto no se utiliza a diario.

Para las tareas de mantenimiento, identificadas con *, consulte *Dispositivos de seguridad en el producto en la página 179*.

LC 141IV, LC 141I y LC 141C	A cada uso	Mensual	Cada temporada
Realice una inspección general.	X		
Limpie el producto.	X		
Realice una comprobación del inhibidor de arranque *.	X		
Asegúrese de que los dispositivos de seguridad del producto no estén defectuosos *.	X		
Examine el equipo de corte.	X		
Examine la cubierta de corte *.	X		
Realice una comprobación de la maneta del freno del motor *.	X		

Solo para LC 141IV y LC 141I	A cada uso	Mensual	Cada temporada
Asegúrese de que el botón de encendido/apagado funciona correctamente y que no está defectuoso.	X		
Examine la batería en busca de posibles daños.	X		
Compruebe la carga de la batería.	X		
Asegúrese de que los botones de liberación de la batería funcionan correctamente y que esta se acopla al producto.	X		
Examine el cargador de la batería para ver si está dañado y asegúrese de que funciona correctamente.		X	
Examine las conexiones entre la batería y el producto. Examine también la conexión entre la batería y el cargador de batería.			X

Para realizar una inspección general

- Asegúrese de que las tuercas y los tornillos del producto estén bien apretados.
- Asegúrese de que los cables del producto no están en una posición en la que puedan resultar dañados.

Limpieza del producto

- Limpie las piezas de plástico con un paño limpio y seco.
- No utilice agua para limpiar el producto. El agua puede entrar en la batería o el motor y causar un cortocircuito o daños en el producto.
- No utilice un equipo de limpieza a alta presión para limpiar el producto.
- No vierta agua directamente sobre el motor.

- Use un cepillo para retirar las hojas, la hierba y la suciedad.

Para limpiar la batería y el cargador de la batería



PRECAUCIÓN: No limpie la batería o el cargador con agua.

- Asegúrese de que batería y cargador estén limpios y secos antes de colocar la batería en el cargador.
- Limpie los bornes de la batería con aire comprimido o con un paño suave y seco.
- Limpie las superficies de la batería y el cargador con un paño suave y seco.

Para inspeccionar el equipo de corte



ADVERTENCIA: Para los modelos LC 141iV y LC 141i: Para evitar un arranque accidental, gire la llave de seguridad hasta la posición 0, retire la batería y espere al menos 5 segundos.

Para el modelo LC 141C: Para evitar un arranque accidental, desconecte el cable de alimentación.



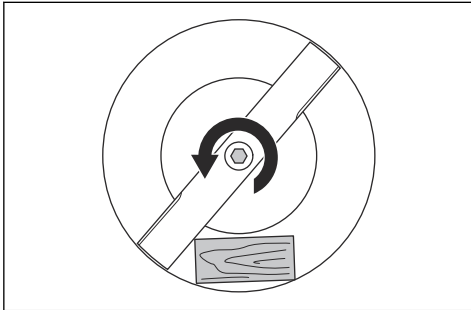
ADVERTENCIA: Utilice guantes protectores cuando realice el mantenimiento del equipo de corte. La cuchilla está muy afilada y se pueden producir cortes con mucha facilidad.

1. Inspeccione el equipo de corte para comprobar si presenta daños o grietas. Sustituya siempre un equipo de corte dañado.
2. Inspeccione la cuchilla para comprobar si está dañada o roma.

Nota: Después de afilar la cuchilla, es necesario equilibrarla. El afilado, la sustitución y el equilibrado de la cuchilla deben realizarse en un centro de servicio. Si choca con un obstáculo que haga que el producto se pare, sustituya la cuchilla dañada. Lleve el producto a un centro de servicio, donde estimarán si la cuchilla puede afilarse o debe sustituirse.

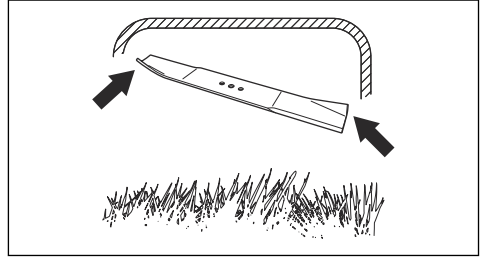
Para retirar y sustituir la cuchilla

1. Bloquee la cuchilla con un bloque de madera.

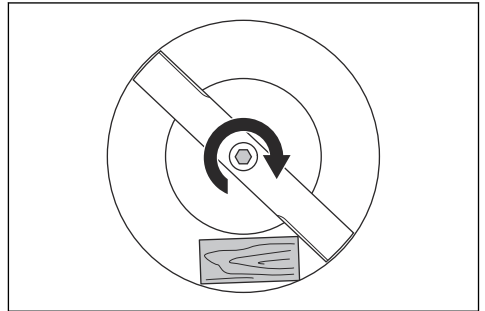


2. Extraiga el tornillo de la cuchilla.

3. Desmonte la cuchilla.
4. Inspeccione el soporte de la cuchilla y el tornillo de la cuchilla para comprobar si presentan daños.
5. Inspeccione el eje del motor para asegurarse de que no está doblado.
6. Cuando instale la nueva cuchilla, colóquela con los extremos en ángulo en dirección a la cubierta de corte.



7. Asegúrese de que la cuchilla quede alineada con el centro del eje del motor.
8. Bloquee la cuchilla con un bloque de madera. Coloque la arandela elástica, y apriete el perno y la arandela con un par de 20 Nm.



9. Mueva la cuchilla en distintas direcciones manualmente y compruebe que gira libremente.



ADVERTENCIA: Use guantes resistentes. La cuchilla está muy afilada y se pueden producir cortes con mucha facilidad.

10. Arranque el producto para hacer una prueba de la cuchilla. Si la cuchilla no está correctamente fijada, se produce una vibración en el producto o el resultado de corte no es satisfactorio.

Resolución de problemas

Batería

Indicador LED de la batería	Causa	Solución
El LED verde parpadea.	La tensión de la batería es baja.	Cargue la batería. Consulte la sección <i>Para cargar la batería en la página 188</i> .
El LED de error parpadea.	La batería está baja.	Cargue la batería. Consulte la sección <i>Para cargar la batería en la página 188</i> .
	La temperatura en el entorno de trabajo es demasiado alta o demasiado baja.	Utilice la batería con temperaturas de entre -10 °C y 40 °C.
	Sobretensión.	Compruebe que la tensión de la red eléctrica es la misma que la que figura en la placa de características del producto. Retire la batería del cargador. Espere 5 segundos y vuelva a intentar cargar la batería. Si el problema persiste, diríjase a un taller de servicio autorizado.
El LED de error está encendido.	La diferencia entre las celdas es demasiado grande (1 V).	Acuda a un taller de servicio autorizado.

Cargador de baterías

LED del cargador de batería	Causa	Solución
El LED de error parpadea.	La temperatura en el entorno de trabajo es demasiado alta o demasiado baja.	Utilice el cargador de batería con temperaturas de entre 5 °C y 40 °C.
El LED de error está encendido.		Acuda a un taller de servicio autorizado.

Panel de control

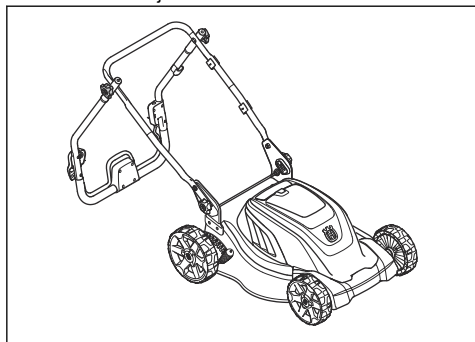
Si observa problemas distintos de los que se indican en esta sección, póngase en contacto con su taller de servicio.

Teclado	Posibles errores	Posible acción
El LED de error parpadea	El producto está sobrecargado	Aumente la altura de corte. Consulte <i>Para ajustar la altura de corte en la página 187</i> .
	El régimen del motor desciende demasiado y el motor se detiene	
	El control del motor está demasiado caliente	Detenga el motor y espere hasta que se haya enfriado
	La cuchilla está bloqueada.	Para evitar un arranque accidental, gire la llave de seguridad hasta la posición 0, retire la batería y espere al menos 5 segundos. Asegúrese de que la cuchilla pueda girar libremente. Si el problema persiste, diríjase a un taller de servicio oficial
	Error de batería o ausencia de señal de la batería	Coloque la batería en el producto correctamente y examine el conector de la batería. Si el LED de error de la batería parpadea, consulte <i>Batería en la página 194</i> .
El producto se detiene	La batería está baja	Cargue la batería. Consulte <i>Para cargar la batería en la página 188</i> .
	Fallo del conector de la batería	Examine el conector de la batería

Transporte, almacenamiento y eliminación

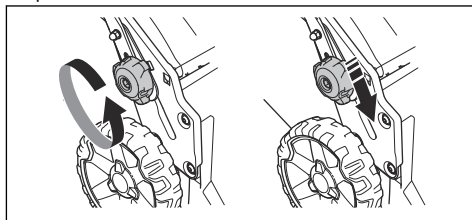
Para ajustar el producto en la posición de transporte

1. Retire el recogedor de césped (si está instalado).
2. Afloje las ruedecillas del manillar superior y pliegue este hacia abajo.

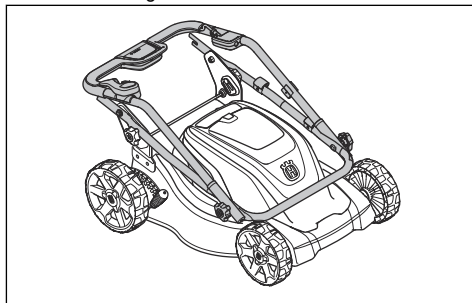


3. Afloje las ruedecillas inferiores.

4. Mueva las ruedecillas hacia el extremo inferior de las ranuras en el lado izquierdo y derecho del producto.



5. Doble el mango hacia delante.



Transporte

- Las disposiciones de la legislación sobre mercancías peligrosas se aplican a las baterías de iones de litio incluidas en el producto.
- Para los transportes comerciales, se deben acatar los requisitos especiales sobre embalajes y etiquetas.
- Asegúrese de que se cumplan las disposiciones sobre materiales peligrosos cuando prepare el producto para su transporte. Se pueden aplicar las regulaciones locales.
- No olvide extraer la batería para el transporte.
- Coloque cinta aislante en los conectores de la batería y asegúrese de que la batería no se desplace durante el transporte.
- Fije el producto durante el transporte.

Almacenamiento

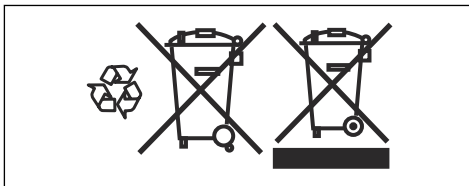
- Extraiga siempre la batería para el almacenamiento.
- Para evitar accidentes, asegúrese de que la batería no esté conectada al producto durante el almacenamiento.
- Mantenga el cargador de batería en un lugar cerrado y seco.
- Mantenga la batería y el cargador de batería en un lugar seco donde no haya humedad ni escarcha.
- Cuando guarde la batería, desconéctela del cargador.
- No almacene la batería en lugares donde pueda generarse electricidad estática. No guarde la batería en una caja metálica.
- Conserve la batería en un lugar con una temperatura entre 5 °C y 25 °C y alejada de la luz solar.

- Conserve el cargador de batería en un lugar con una temperatura entre 5 °C y 45 °C y alejada de la luz solar.
- Asegúrese de que la batería esté cargada al 30 %-50 % antes de guardarla durante largos periodos de tiempo.
- Mantenga el producto, la batería y cargador de batería en un lugar bajo llave fuera del alcance de los niños y de personas sin autorización.
- Limpie el producto y realice un mantenimiento completo antes de almacenarlo durante un periodo de tiempo prolongado.

Eliminación

Los símbolos del producto o del embalaje del producto indican que este producto no puede desecharse como residuo doméstico. Debe enviarse a una estación de reciclaje apropiada para la recuperación de piezas eléctricas y electrónicas.

Si se asegura de que se trata este producto correctamente, puede ayudar a contrarrestar el posible impacto negativo para el medio ambiente y las personas que podría darse por una gestión incorrecta de los residuos del mismo. Si desea información más detallada sobre el reciclaje de este producto, póngase en contacto con su ayuntamiento, el servicio de recogida de basuras o la tienda donde lo adquirió.



Datos técnicos

Datos técnicos LC 141iV, LC 141i

	LC 141iV	LC 141i
Motor de corte		
Tipo de motor	BLDC (sin cepillo) 36 V	BLDC (sin cepillo) 36 V
Velocidad del motor - SavE, rpm	2700	2700
Velocidad del motor - nominal, rpm	3100	3100
Régimen del motor - carga alta, rpm	3700	3700
Potencia del motor (máx.), kW	0,8	0,8
Potencia del motor (nominal), kW	0,55	0,55
Motor de accionamiento		
Potencia del motor (nominal), kW	0,25	NA
Velocidad de movimiento, km/h	3,0-4,5	NA

	LC 141iV	LC 141i
Niveles de ajuste de velocidad	4	NA
Peso		
Peso sin batería, kg	21,5	18,6
Batería ⁴³		
Tipo de batería	Serie con batería Husqvarna	Serie con batería Husqvarna
Duración de la batería		
Autonomía de la batería, min., (funcionamiento continuo) con modo SavE activado, con una batería Husqvarna de 5,2 Ah (BLi200).	77	77
Autonomía de la batería, min., (funcionamiento continuo) con modo estándar activado, con una batería Husqvarna de 5,2 Ah (BLi200).	45	45
Emisiones de ruido ⁴⁴		
Nivel de potencia acústica, dB(A) medidos	88	88
Nivel de potencia acústica garantizado L _{WA} dB(A)	89	89
Niveles acústicos ⁴⁵		
Nivel de presión sonora en el oído del operario, dB(A)	83	83
Niveles de vibraciones ⁴⁶		
Manillar, m/s ²	2,0	2,0
Tronzado		
Altura de corte, mm	25-70	25-70
Anchura de corte, cm	41	41
Cuchilla, número de artículo	Recogedor - 5011716-01	Recogedor - 5011716-01
Capacidad del recogedor, litros	50	50

Baterías homologadas	Marca	Tipo	Capacidad de la batería, Ah	Tensión, V	Peso, lb/kg
BLi10	Husqvarna	Iones de litio	2,0	36	1,8/0,8
BLi100	Husqvarna	Iones de litio	2,6	36	1,9/0,8
BLi20	Husqvarna	Iones de litio	4,0	36	2,7/1,2

⁴³ Para obtener los mejores resultados y un mejor rendimiento, se recomienda la batería de Husqvarna BLi200.

⁴⁴ Emisiones sonoras en el entorno medidas como potencia acústica (L_{WA}) según la directiva 2000/14/CE.

⁴⁵ Los datos referidos del nivel de presión sonora tienen una dispersión estadística habitual (desviación típica) de 1,2 dB (A).

⁴⁶ Los datos referidos del nivel de vibración poseen una dispersión estadística habitual (desviación típica) de 0,2 m/s².

Baterías homologadas	Marca	Tipo	Capacidad de la batería, Ah	Tensión, V	Peso, lb/kg
BLi200	Husqvarna	Iones de litio	5,2	36	2,8/1,3
BLi300	Husqvarna	Iones de litio	9,4	36	4,1 /1,9

Cargadores de baterías homologados para las baterías especificadas,	Marca	Tensión de entrada, V	Frecuencia, Hz	Potencia, W
QC80	Husqvarna	100-240	50-60	80
QC80F	Husqvarna	12	0	80
QC250	Husqvarna	220-240	50	250
QC330	Husqvarna	100-240	50-60	330
QC500	Husqvarna	100-240	50-60	500

Datos técnicos LC 141C

LC 141C	
Motor	
Tipo de motor	Motor de serie CA
Velocidad del motor - nominal, rpm	3200
Potencia	1800 W
Fuente de alimentación	Eléctrica con cable
Cable de alimentación (incluido solo para el mercado del Reino Unido)	
Tipo de cable	Cable de extensión 16M
Peso, kg	1,6
Peso	
Peso, kg	20,4
Emisiones de ruido ⁴⁷	
Nivel de potencia acústica medida, dB(A)	93
Nivel de potencia acústica garantizado L _{WA} dB(A)	95
Niveles acústicos ⁴⁸	
Nivel de presión sonora en el oído del operario, dB(A)	85
Niveles de vibraciones ⁴⁹	

⁴⁷ Emisiones sonoras en el entorno medidas como potencia acústica (L_{WA}) según la directiva CE 2000/14/CE.

⁴⁸ Los datos referidos del nivel de presión sonora tienen una dispersión estadística habitual (desviación típica) de 1,4 dB (A).

⁴⁹ Los datos referidos del nivel de vibración poseen una dispersión estadística habitual (desviación típica) de 0,2 m/s².

	LC 141C
Mango, m/s ²	2,0
Tronzado	
Altura de corte, mm	25-70
Anchura de corte, cm	41
Cuchilla, número de artículo	Recogedor 5011716-01
Capacidad del recogedor, litros	50

Declaración de conformidad CE

Declaración de conformidad CE

Husqvarna AB, SE-561 82 Huskvarna (Suecia), tel.:

+46 36 146500, declara que los **cortacéspedes**

Husqvarna LC 141iV y LC 141i con número de serie 2018XXXXXXX y siguientes, y **Husqvarna LC 141C** con número de serie 2015XXXXXXX, cumplen los requisitos expuestos en la DIRECTIVA DEL CONSEJO:

- de 8 junio de 2011 sobre la "restricción de utilización de determinadas sustancias peligrosas" **2011/65/UE**.
- de 17 de mayo de 2006 "relativa a máquinas", **2006/42/CE**.
- de 26 de febrero de 2014 "relativa a compatibilidad electromagnética", **2014/30/UE**.
- de 8 de mayo de 2000 "relativa a emisiones sonoras en el entorno", **2000/14/CE**.

Para obtener información relativa a las emisiones sonoras, consulte el capítulo Datos técnicos.

Se han aplicado las siguientes normas para la certificación de Husqvarna LC 141iV y LC 141i: **IEC 60335-2-77:2002, IEC 60335-1:2010+A1:2013, EN 55014-1:2017, EN 55014-2:2015, EN 61000-3-2:2014, EN 61000-3-3:2013, EN 62233:2008**

Se han aplicado las siguientes normas para la certificación de Husqvarna LC 141C: **EN 60335-1:2012+A11:2014, EN 60335-2-77:2010, EN 62233:2008, EN 55014-1:2017+A11, EN 55014-2:2015, EN 61000-3-2:2019, EN 61000-3-11:2019**

Organismo notificado: **0404, RISE SMP Svensk Maskinprovning AB, Box 7035, SE-750 07 Uppsala** ha realizado una evaluación de conformidad con el Anexo VI de la Directiva 2000/14/CE.

Huskvarna, 2020-10-13



Claes Losdal, Director de desarrollo/productos para el jardín (representante autorizado de Husqvarna AB y responsable de la documentación técnica).

Sisukord

Sissejuhatus.....	201	Veotsing.....	221
Ohutus.....	204	Transportimine, hoieulepanek ja utiliseerimine.....	222
Kokkupanek.....	212	Tehnilised andmed.....	223
Töö.....	214	EÜ vastavusdeklaratsioon.....	226
Hooldamine.....	219		

Sissejuhatus

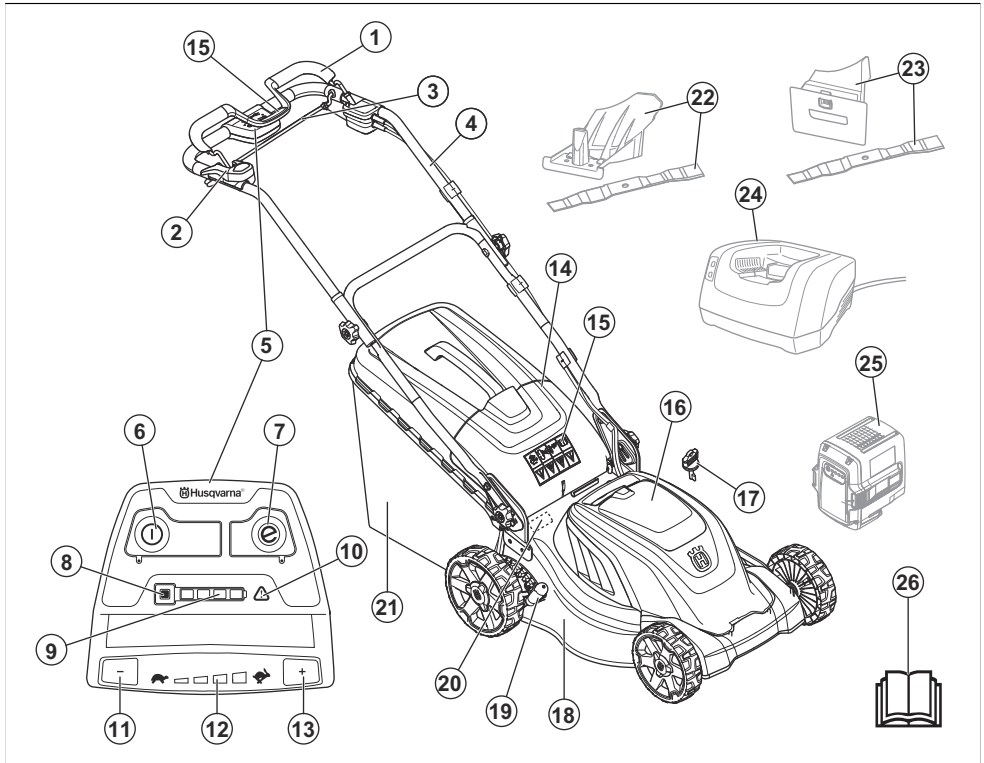
Toote kirjeldus

Tooteks on lükatav ja pöörlev muruniiduk. Muru kogutakse rohukogurisse. Kui soovite, et muru väljutataks tagant, eemaldage rohukogur. Selleks et muru lõigataks väetiseks, paigaldage multšimiskomplekt (lisavarustus).

Kasutusotstarve

Kasuta toodet muru pügamiseks. Ära kasuta toodet muude tööde tegemiseks.

Toote ülevaade LC 141iV / LC 141i

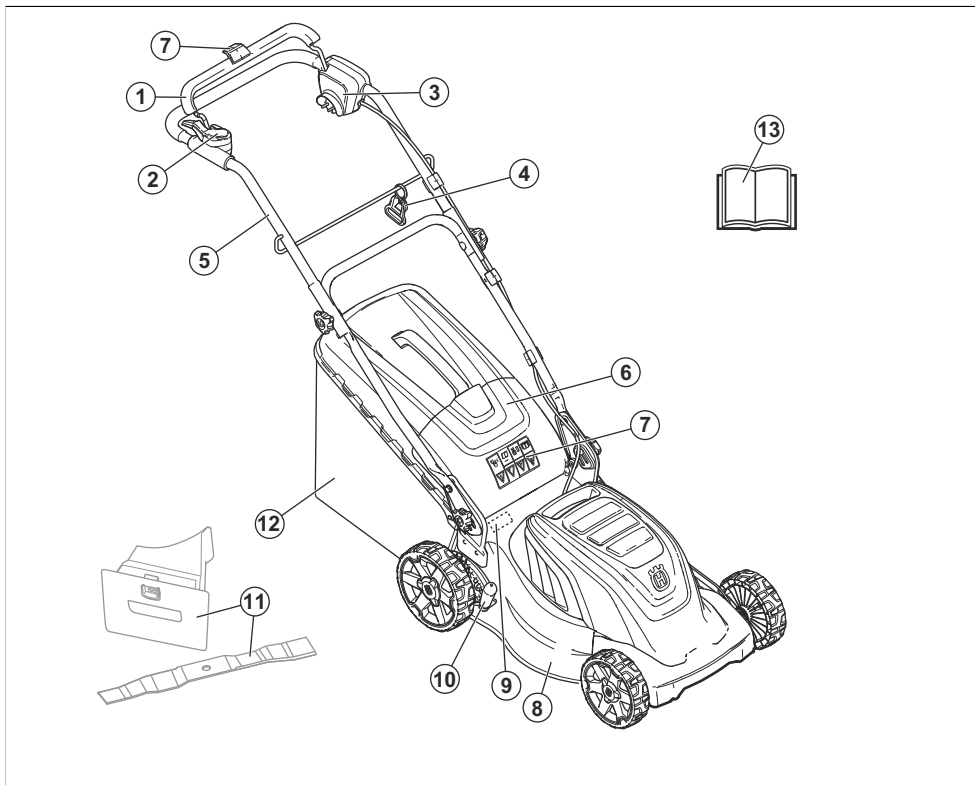


- | | |
|---------------------------|-------------------------------|
| 1. Mootori pidurikäepide | 5. Juhtpaneel |
| 2. Käivitusfõkesti | 6. Sisse- ja väljalülitusnupp |
| 3. Veo käepide (LC 141iV) | 7. SavE-nupp |
| 4. Käepide / juhtraud | 8. Akunäidiku nupp |

9. Aku laetuse näidik
10. Hoiatuse indikaator (tõrke märgutuli)
11. Kiiruse vähendamise nupp (LC 141iV)
12. Kiiruse näidik (LC 141iV)
13. Kiiruse suurendamise nupp (LC 141iV)
14. Tagumine kate
15. Sümbolid
16. Akukaas
17. Ohutuslüliti

18. Lõikekorpus
19. Lõikekõrguse hoob
20. Andmesilt
21. Rohukogur
22. Multšimiskomplekt (tarvik tootele LC 141iV)
23. Multšimiskomplekt (tarvik tootele LC 141i)
24. Akulaadija (lisatarvik)
25. Aku (lisatarvik)
26. Kasutusjuhend

Seadme tutvustus LC 141C



1. Mootori pidurikäepide
2. Käivitustõkesti
3. Toitekaabli pistikupesa
4. Toitekaabli hoidik
5. Käepide / juhtraud
6. Tagumine kate
7. Sümbolid
8. Lõikekorpus
9. Andmesilt
10. Lõikekõrguse hoob
11. Multšikork (lisatarvik)

12. Rohukogur
13. Kasutusjuhend

Sümbolid seadmel



Hooletu või väär käsitlemine võib põhjustada kehavigastusi või surma

kasutajale või juuresolijaile.



Enne seadme kasutamist lugege kasutusjuhend läbi ja veenduge, et oleksite juhistest aru saanud.



Teised inimesed ja loomad peavad viibima tööalast ohutuskauguses.



Olge ettevaatlik - lenduvad esemed ning tagasipõrkumise oht.



Hoiatus! Hoidke käed ja jalad pöörlevast terast eemal.



Hoiatus! Hoidke käed ja jalad pöörlevatest osadest eemal.



Enne seadme hooldustööde alustamist eemaldage ohutuslüliti. (mudel LC 141iV/ LC 141i)



Enne seadme hooldustööde alustamist lahutage see voluvõrgust. (mudel LC 141C)

IPX1 IPX1 – seade on kaitstud tilkuva vee eest (mudel LC 141iV/ LC 141i)

IPX4 IPX4 – seade on kaitstud pritsiva vee eest (mudel LC 141C)



Seadet ei tohi jätta vihma kätte (mudel LC 141iV/LC 141i)



Hoiatus! Ärge sõitke seadmega üle toitekaabli, võite saada elektrilöögi või seadet kahjustada. (mudel LC 141C)



Toode vastab ELi kehtivatele direktiividele.



Ümbritsevasse keskkonda leviv müra vastavalt Euroopa Ühenduse direktiivile. Seadme müratase on ära toodud tehniliste andmete peatükis ja etiketil.



Alalisvool. 36 V



Topeltisolatsioon.



Toimetage seade elektri- ja elektroonika- jäätmete ring- lussevõtukese- kusesse. (Keh- tib vaid Euroo- pas)



Mudeli LC 141iV/ LC 141i käivi- tusprotseduur: vajutage sisse- ja väljalülitus- nuppu, avage käivitustõkesti, vajutage mootori pidurikäepi- de alla.



Mudeli LC 141C käivitusprotseduur: avage käivitustõkesti,

vajutage mootori pidurikäepide alla.



Seiskamiseks vabastage mootori pidurikäepide.



Aeglane



Kiire



Skannitav kood

Märkus: Ülejäänud seadmel toodud sümبولid/ tähised vastavad teatud riikides kehtivatele sertifitseerimisnõuetele.

Tootevastutus

Tootevastutusseaduste alusel ei vastuta me tootest tingitud kahjustuste eest, kui:

- toodet on valesti parandatud;
- toote parandamisel on kasutatud osi, mis ei ole tootja poolt valmistatud või heaks kiidetud;
- tootel on kasutatud tarvikut, mis ei ole tootja poolt valmistatud või heaks kiidetud;
- toodet ei ole parandatud volitatud hoolduskeskuses või volitatud isiku poolt.

Ohutus

Ohutuse määratlused

Mõistetega „hoiatus”, „ettevaatus” ja „märkus” juhitakse tähelepanu eriti olulistele kohtadele kasutusjuhendis.



HOIATUS: Tähistab kasutusjuhendi juhiste eiramise korral kasutaja või kõrvalseisjate kehavigastuse või surmaga lõppeva õnnetuse ohtu.



ETTEVAATUST: Tähistab kasutusjuhendi juhiste eiramise korral seadme, muude esemete või läheduses asuvate objektide kahjustamise ohtu.

Märkus: Tähistab antud olukorras vajalikku lisateavet.

Üldised ohutuseeskirjad



HOIATUS: Enne seadme kasutamist lugege läbi järgnevad hoiatused.

- Toode on ohtlik, kui seda kasutada valesti või ettevaatamatult. Ohutuseeskirjade eiramine võib põhjustada kehavigastuse või surma.
- Seade tekitab töötades elektromagnetvälja. Teatud tingimustel võib väli häirida aktiivsete või passiivsete meditsiiniliste implantaatide tööd. Raskete või surmaga lõppevate kehavigastuste ohu vähendamiseks soovitage meditsiinilisi implantaate kasutataval inimestel pidada enne selle seadme kasutamist nõu oma arsti ja implantaadi valmistajaga.
- Olge alati ettevaatlik ja kasutage tervet mõistust. Kui te pole kindel, kuidas toodet eriolukorras kasutada, lõpetage töö ja pidage enne jätkamist nõu Husqvarna edasimüüjaga.
- Arvestage, et teiste isikute ja nende varaga seotud õnnetuste korral kannab vastutust seadme kasutaja.
- Hoidke toode puhas. Veenduge, et märgid ja tähised oleksid selgelt loetavad.
- Ärge kunagi lubage lastel või nende juhustega mittetutvunud inimestel seadet kasutada. Kohalikud kehtivad eeskirjad võivad piirata kasutaja lubatud vanust
- Kui toodet kasutab piiratud füüsiliste või vaimsete võimetega isik, peab ta olema kogu aeg järelevalve all. Vastutusvõimeline täiskasvanu peab kogu aeg kasutaja juures viibima.
- Ärge kasutage toodet, kui olete väsinud, haige või tarvitanud alkoholi, narkootikume või ravimeid. Sellel on negatiivne mõju teie nägemisele, tähelepanuvõimele, liikumisele ja otsustamisvõimele.
- Ärge kasutage toodet, kui see on kahjustatud.
- Ärge muutke toodet ega kasutage seda, kui keegi teine võib olla seda muutnud.

Tööala ohutus



HOIATUS: Enne seadme kasutamist lugege läbi järgnevad hoiatused.

- Enne toote kasutamist eemaldage tööalalt oksad ja kivid.
- Lõikeosaga kokku puutuvad esemed võivad õhku paiskuda ning inimesi vigastada ja

esemeid kahjustada.

Juuresolijad ja loomad peavad viibima tootest ohutus kauguses.

- Ärge kasutage toodet halva ilmaga, näiteks udu, vihma, tugeva tuule, tugeva pakase ja pikseohu korral. Toote kasutamine halva ilma ning niiskete ja märgade tingimuste korral on väsitav. Halb ilm võib põhjustada ohtlikke tingimusi (nt libedaid pindu).
- Suhtuge tähelepanelikult inimestesse, esemetesse ja olukordadesse, mis võivad takistada toote ohutut kasutamist.
- Olge ettevaatlik takistuste (nt juurte, kivide, oksade, aukude ja kraavide) suhtes. Kõrge rohi võib peita takistusi.
- Muru niitmine kallakutel võib olla ohtlik. Ärge niitke väga järskudel nõlvadel. Ärge kasutage toodet alal, mille kalle ületab 15°
- Kaldpinnal suunda muutes olge äärmiselt ettevaatlik. Kasutage toodet kallakul risti liikudes. Ärge liikuge üles ja alla.
- Olge ettevaatlik varjatud nurkade ja vaatevälja varjavate esemete läheduses.

Tööohutus



HOIATUS: Enne seadme kasutamist lugege läbi järgnevad hoiatused.

- Kasutage seda toodet ainult muru niitmiseks. Muude toimingute tegemiseks toodet kasutada ei tohi.
- Kasutage isikukaitsevahendeid. Vt jaotist *Isikukaitsevahendid lk 207*.
- Veenduge, et teate, kuidas hädaolukorras mootorit kiiresti seisata.
- Toodet ei tohi kasutada vihma käes või märjas keskkonnas. Toote sisse pääsenud vesi suurendab elektrilöögi ohtu.
- Ärge kasutage toodet enne, kui lõiketera ja katted on õigesti kinnitatud. Valesti kinnitatud lõiketera võib lahti tulla ja inimesi vigastada.
- Veenduge, et lõiketera ei puutuks kokku esemetega (nt kivide ja juurtega). See võib lõiketera kahjustada ja põhjustada mootori võlli väändumist. Paindega telg põhjustab tugevat vibratsiooni ja suurt lõiketera lahtitulemise ohtu.
- Kui lõiketera puutub kokku mõne esemega või esineb

vibratsioon, peatage toode viivitamatult. Seisake mootor, keerake ohutuslüli asendisse 0 ja eemaldage aku (mudel LC 141iV ja LC 141i) või lahutage toitekaabel (mudel LC 141C). Kontrollige toodet kahjustuste suhtes.

Parandage kahjustused või laske toodet remontida volitatud hooldustöökojas.

- Kui mootor töötab, ärge kinnitage kunagi mootori pidurikäepidet püsivalt käepideme külge.
- Asetage toode stabiilsele ja tasasele pinnale ning käivitage see. Veenduge, et löiketera ei puutuks vastu maad ega muid esemeid.
- Olge toote kasutamisel alati toote taga.
- Toote kasutamisel hoidke mõlema käega käepidemest ja kõik toote rattad maas. Hoidke käed ja jalad liikuvatest teradest eemal.
- Kui mootor on käivitatud, ärge kallutage toodet.
- Olge toote tagasisuunas tõmbamisel ettevaatlik.
- Kui mootor on käivitatud, ärge tõstke toodet. Kui teil on vaja seade üles tõsta, seisake esmalt mootor, keerake ohutuslüli asendisse 0 ja eemaldage aku (mudel

LC 141iV ja LC 141i) või lahutage toitekaabel (mudel LC 141C).

- Ärge kõndige toote kasutamise ajal tagurpidi.
- Seisake mootor, kui liigute alal, kus pole muru, näiteks kruusa-, kivi- ja asfaltkattega teedel.
- Ärge lükake toodet joostes, kui mootor on käivitatud. Toote kasutamise ajal kõndige.
- Enne löikamiskõrguse muutmist seisake mootor. Ärge tehke seadistusi, kui mootor töötab.
- Ärge laske toodet silmist, kui mootor töötab. Seisake mootor ja veenduge, et löikeosa ei pöörleks.

Ohutusjuhised kasutamisel

Isikukaitsevahendid



HOIATUS: Enne seadme kasutamist lugege läbi järgnevad hoiatused.

- Isikukaitsevarustus ei välista täielikult kehavigastuste ohtu, kuid vähendab õnnetusjuhtumi korral kehavigastuse raskusastet. Õige varustuse valimiseks pöörduge edasimüüja poole.

- Kandke vastupidavaid saapaid või jalatseid, mis on libisemiskindlad. Ärge kandke avatud jalatseid ega olge paljajalu.
- Kandke tugevaid pikki pükse.
- Vajaduse korral kandke kaitsekindaid, näiteks löikeosa kinnitades, kontrollides või puhastades.

Toote ohutusseadised



HOIATUS: Enne seadme kasutamist lugege läbi järgnevad hoiatused.

- Ärge kunagi kasutage seadet, kui selle ohutusseadised on defektsed.
- Kontrollige ohutusseadiseid regulaarselt. Kui ohutusseadised on defektsed, pöörduge Husqvarna hooldustöökotta.

Löikeosa katte kontrollimine

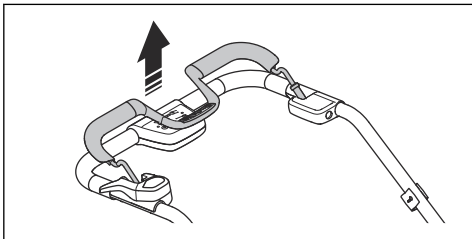
Löikeosa kate vähendab toote vibratsiooni ja löiketerast tingitud vigastuste ohtu.

- Kontrollige löikeosa kahjustuste (nt pragude) suhtes.

Mootori pidurikäepide

Mootori pidurikäepideme abil saab mootori seisata. Mootori pidurikäepideme vabastamisel mootor seiskub.

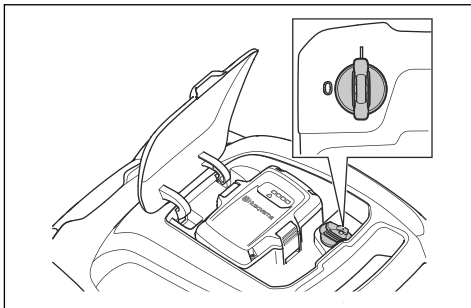
Mootoripiduri kontrollimiseks käivitage mootor ja vabastage mootori pidurikäepide. Kui mootor kolme sekundi jooksul ei seisku, laske mootoripidurit Husqvarna volitatud hooldustöökojas reguleerida.



Ohutuslüli (mudelik LC 141IV ja LC 141I)

Ohutuslüli asub akukaane all. Ohutuslüli abil ühendatakse aku, mis varustab mootori toitega.

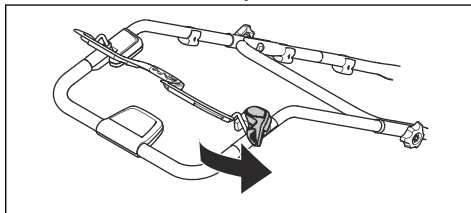
- Ohutuslüli kontrollimiseks käivitage ja seisake mootor.
- Kui ohutuslüli on töökorras, siis käivitub mootor üksnes lüli keeramisel asendisse 1.



Käivitustõkesti kontrollimine

Kontrollige, kas käivitustõkesti takistab mootori tööd.

1. Lükake mootori pidurikäepidet juhtraua suunas. Käivitustõkesti peatab liikumise.
2. Lükake käivitustõkesti välja.



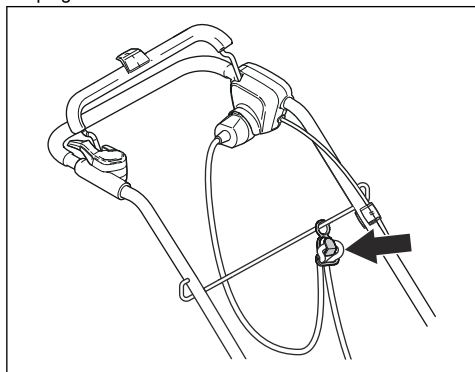
3. Laske käivitustõkesti lahti ja veenduge, et see läheks tagasi lähteasendisse.

Toitekaabli hoidiku kasutamine (mudel LC 141C)

Toitekaabli hoidik vähendab koormust pistikupesale ja toitekaablile. Samuti vähendab toitekaabli hoidik teie kukkumise ohtu.

1. Moodustage toitekaabliga väike silmus.
2. Asetage silmus toitekaabli hoidiku ava sisse.
3. Asetage silmus ümber konsu.

4. Tõmmake toitekaablit, et silmus ümber konksu pingule tõmbuks.



Aku ohutus



HOIATUS: Enne seadme kasutamist lugege läbi järgnevad hoiatused.

- Kasutage seotud Husqvarna toodete toiteallikana alati üksnes Husqvarna taaslaetavaid akusid. Kehavigastuse vältimiseks ärge kasutage akut muude seadmete toiteallikana.
- Ärge kasutage mittetaaslaetavaid akusid.
- Elektrilöögioht! Ärge ühendage akuklemme võtmete, müntide, kruvide või muude metallesemetega. See võib tekitada akus lühise.
- Ärge asetage esemeid aku õhuavade sisse ja ette.
- Vältige aku kokkupuudet otsese päikesevalguse, kuumuse ja lahtise leegiga.

Aku võib plahvatada ja põhjustada põletusi ja/või keemilisi põletusi.

- Vältige aku kokkupuudet vihma ja märja keskkonnaga.
- Vältige aku kokkupuudet mikrolainete ja kõrgsurvega.
- Ärge demonteerige ega lõhkuge akut.
- Aku lekke korral vältige vedeliku kokkupuudet keha ja silmadega. Kui vedelik satub kehale, puhastage kokkupuutunud ala rohke veega ja seejärel pöörduge arsti poole.
- Kasutage akut keskkonnas, mille temperatuur jääb vahemikku -10 kuni 40 °C.
- Ärge puhastage akut või akulaadijat veega. Vt jaotist *Aku ja akulaadija puhastamine lk 220*.
- Ärge kasutage defektset või kahjustatud akut.
- Ladustage akusid metallesemetest (nt naelad, mündid, ehted) eemal.

Akulaadija ohutus



HOIATUS: Enne seadme kasutamist lugege läbi järgnevad hoiatused.

- Kasutage Husqvarna asendusakude laadimiseks ainult QC akulaadijaid.
- Elektrilöögi ja lühise oht. Ärge asetage esemeid laadija õhuavade sisse ja ette. Ärge püüdke akulaadijat lahti monteerida. Ärge ühendage laadija klemme metallesemete külge. Kasutage heakskiidetud võrgupistikupesasa.
- Seade tekitab töötades elektromagnetvälja. Teatud tingimustel võib väli häirida aktiivsete või passiivsete meditsiiniliste implantaatide tööd. Raskete või surmaga lõppevate kahjustuste ohu vähendamiseks soovitame meditsiinilisi implantaate kasutataval inimestel pidada enne selle toote kasutamist nõu oma arsti ja implantaadi valmistajaga.
- Kontrollige regulaarselt, kas akulaadija toitejuhe on kahjustada saanud ja kas sellel on pragusid.
- Ärge tõstke akulaadijat toitejuhtmest hoides. Akulaadija võrgupistikupesast lahutamiseks tõmmake pistikut. Ärge tõmmake toitejuhet.
- Vältige toitejuhtme ja pikendusjuhtme kokkupuudet vee, õli ja teravate servadega. Jälgige, et juhe ei jääks uste, väravate jms vahele. See võib põhjustada laadija sattumise pinge alla.
- Ärge puhastage akulaadijat veega.
- Akulaadijat võivad kasutada lapsed alates 8. eluaastast ja isikud, kellel on vähenenud füüsilised, sensoorsed või vaimsed võimed või puudulikud teadmised ja kogemused, kui neid jälgib või juhendab vastutav isik, kes tagab, et nad kasutavad akulaadijat ohutult ning mõistavad seotud ohtusid. Lapsed ei tohi akulaadijaga mängida. Lapsed ei tohi seadet ilma järelevalveta puhastada ega hooldada.
- Ärge laadige akulaadijas mittelaetavaid akusid.
- Ärge kasutage akulaadijat tuleohtlike või korrosiooni tekitavate materjalide läheduses. Ärge katke akulaadijat. Suitsu või tule tekke korral eemaldage pistik akulaadijast.
- Ärge kunagi kasutage defektset või kahjustunud akulaadijat.
- Laadige akut ainult hea õhuvahetusega siseruumis ja

päikesevalguse eest kaitstuna.
Ärge laadige akut märjas keskkonnas.

Toitekaabli ohutus

Mudel LC 141C.

- Soovitav on paigaldada rikkevoolukaitse, mille rakendumise voolutugevus ei ole suurem kui 30 mA. Kuid isegi rikkevoolukaitse paigaldamine ei garanteeri 100% ohutust ja seetõttu tuleb alati järgida turvalise töötamise põhimõtteid. Kontrollige rikkevoolukaitset iga kord, kui seda kasutate.
- Kui toitekaablile tekib sisselõige või selle isolatsioon saab kahjustada, lahutage seade kohe toitevõrgust.
- Ärge puudutage sisselõikega või kahjustatud isolatsiooniga toitekaablit enne, kui seade on vooluvõrgust lahutatud.
- Ärge parandage sisselõikega või kahjustatud isolatsiooniga toitekaablit. Asendage kaabel uuega.

Ohutusjuhised hooldamisel



HOIATUS: Enne seadme kasutamist lugege läbi järgnevad hoiatused.

- Mudel LC 141iV, LC 141i: Hooldustööde ajal juhusliku käivitumise vältimiseks keerake ohutuslüli asendisse

0 ja eemaldage aku. Enne hooldustööde alustamist oodake vähemalt viis sekundit.

- Mudel LC 141C: Hooldustööde ajal seadme juhusliku käivitumise vältimiseks lahutage toitekaabel.
- Toote kasutusea tõstmiseks ja õnnetuste ohu vähendamiseks tehke kõik hooldustööd korrektselt. Laske professionaalsed parandustööd teha volitatud hooldustöökojas. Lisateavet küsige lähimast hooldustöökojast.
- Hooldage toodet ainult selle kasutusjuhendi järgi. Keerukamad tööd laske teostada volitatud hooldustöökojas.
- Lõikeosa käsitsedes kandke alati tugevaid kindaid. Lõiketera on väga terav ja võib kergesti põhjustada lõikevigastusi.
- Parima ja ohutuima töö tagamiseks hoidke lõikeservad teravana ja puhtana.
- Laske hooldustöökojas toodet korrapäraselt kontrollida ning teha vajalikke seadistamisi ja parandusi.
- Asendage kahjustatud, kulunud ja katkised osad.

- Järgige tarvikute vahetamise juhiseid. Kasutage ainult tootja valmistatud tarvikuid.
- Kui toodet ei kasutata, eraldage toode, aku ja akulaadija ning hoidke neid

kuivas ja lukustatud siseruumis. Veenduge, et lastel ja ilma vastava volitusega kõrvalistel isikutel puuduks juurdepääs tootele, akule ja akulaadijale.

Kokkupanek

Sissejuhatus



HOIATUS: Enne toote kokkupanemist lugege läbi ohutust puudutav peatükk.

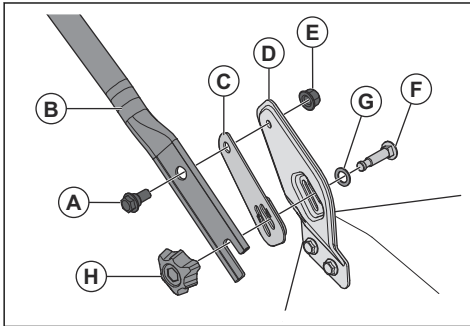


HOIATUS: Mudel LC 141iV, LC 141i: Kokkupanemise ajal juhusliku käivitumise vältimiseks keerake ohutusüliliit asendisse 0, eemaldage aku ja oodake vähemalt viis sekundit.

Mudel LC 141C: Kokkupanemise ajal seadme juhusliku käivitumise vältimiseks lahutage toitekaabel.

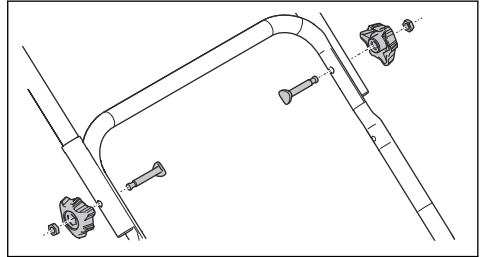
Käepideme kokkupanek

1. Lükka kruvi (A) läbi käepideme (B), plastseibi (C) ja käepideme tugikronsteini (D).

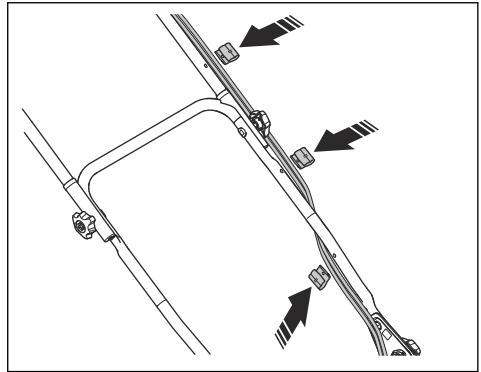


2. Keera mutter (E) täiesti kinni.
3. Lükka kruvi (F) läbi seibi (G) ja käepideme tugikronsteini.
4. Keera nupp (H) täiesti kinni.

5. Asetage alumise käepideme avad kohakuti juhtraua avadega ning paigaldage poldid, seibid ja nupud. Keerake nupud korralikult kinni.

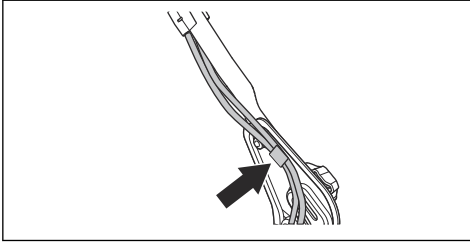


6. Kinnitage kaablid kaablihooldike abil käepideme külge.



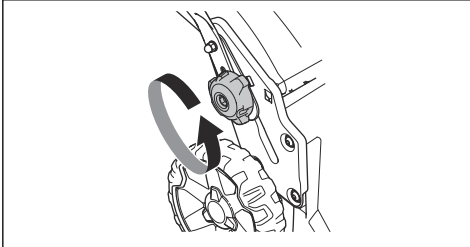
Märkus: Veenduge, et kaablid poleks liigselt pingul. Kui kaablid on liiga pingul, võivad need käepideme transportasendisse pööramisel kahjustada saada.

7. Asetage kaablid ümber käepideme all oleva konksu.



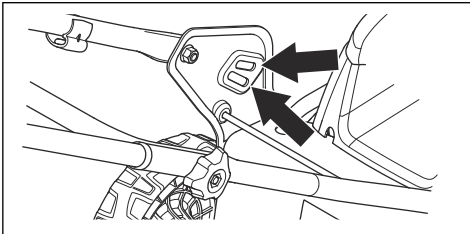
Käepideme kõrguse reguleerimine

1. Keerake alumised hoovald lahti.



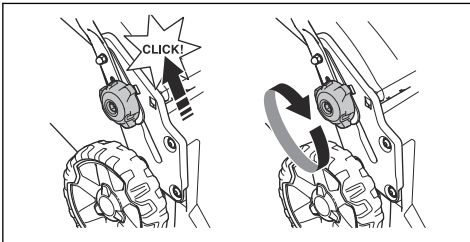
2. Eemaldage vasakult ja paremalt küljelt nupp, seib ja kruvi.

3. Käepideme saab seada 2 eri kõrgusele. Asetage kruvi ühte kahest august vasakul ja paremal küljel.



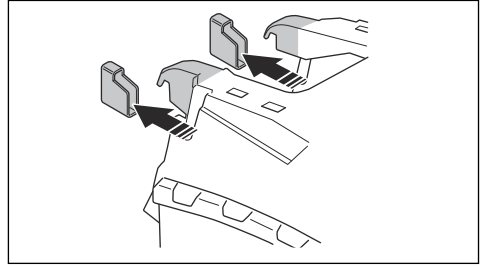
4. Paigaldage kruvid, seibid ja nupud.

5. Liigutage nuppsid üles käepideme suunas, kuni need peatuvad ja kostub klõpsatus. Keerake nupud korralikult kinni.

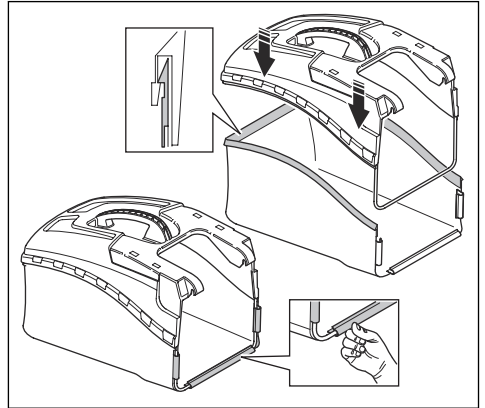


Rohukoguri kokkupanek

1. Lükake kaks transportkatet välja ja alla.

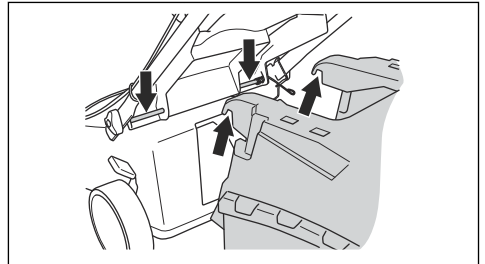


2. Asetage rohkoguri ülemine osa rohkoguri alumise osa peale. Kinnitage rohkoguri raam klambritega.



3. Kergitage tagakaant.

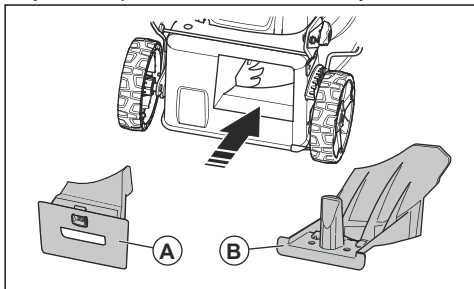
4. Kinnitage rohkoguri konksud raami ülaservale.



Multšmiskomplekti kokkupanek

1. Kergitage tagakaant ja eemaldage rohkogur.

2. Asetage multšikork rohu väljaviskekanalisse. Multšikork tüüp A on ette nähtud LC 141i ja LC 141C jaoks. Tüüp B on ette nähtud LC 141iV jaoks.



3. Sulgege tagakaas.
4. Asendage löiketera kombiteraga, vt *Lõiketera eemaldamine ja vahetamine lk 220*.

Töö

Sissejuhatus



HOIATUS: Enne seadme kasutamist lugege põhjalikult läbi ohutust puudutav jaotis.

Husqvarna Connect

Husqvarna Connect on mobiilsideseadmetele mõeldud tasuta rakendus. Rakendus Husqvarna Connect annab teie Husqvarna tootele lisafunktsionaalsuse:

- Täiendav tooteteave.
- Toote osade ja hoolduse alane teave ja abi.

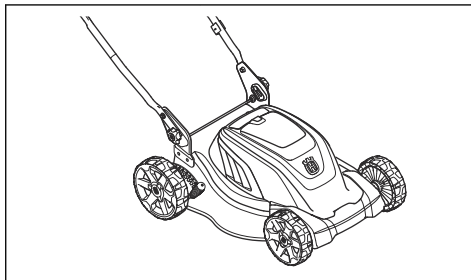
Toote Husqvarna Connect kasutamise alustamine

1. Laadige Husqvarna Connect rakendus oma mobiilsideseadmesse.
2. Registreeruge Husqvarna Connect rakenduses.
3. Toote ühendamiseks ja registreerimiseks järgige Husqvarna Connect rakenduse juhiseid.

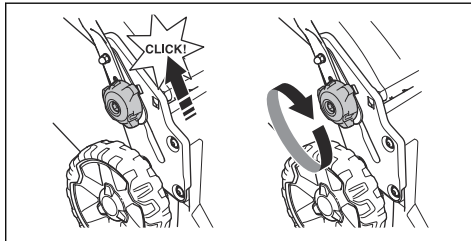
Toote seadmine tööasendisse

Kui käepide asub transport- ja hoiuasendis (vt *Muruniiduki seadmine transportasendisse lk 222*), tehke käepideme tööasendisse seadmiseks järgmist.

1. Tõstke käepidet, kuni alumine käepide lukustub tööasendisse.

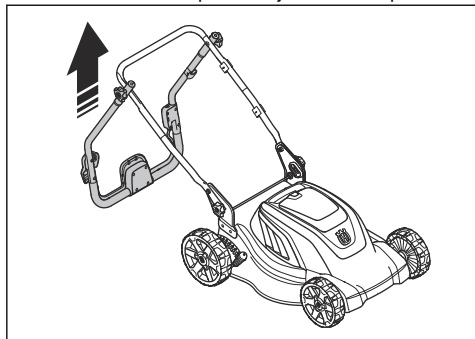


2. Liigutage alumisi nuppe üles käepideme suunas, kuni need peatuvad ja kostub klõpsatus.



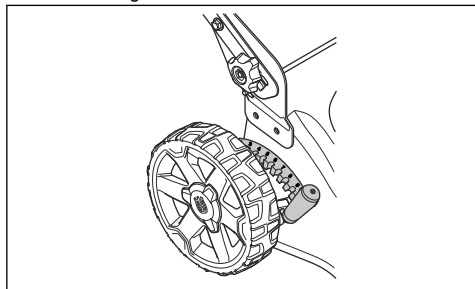
3. Keerake nupud kinni.

4. Tõstke ülemine käepide üles ja keerake nupud kinni.



Lõikamiskõrguse reguleerimine

1. Lõikamiskõrguse suurendamiseks tõmmake lõikamiskõrguse hooba tagasisuunas.
2. Lõikamiskõrguse vähendamiseks lükake lõikamiskõrguse hooba edasisuunas.



ETTEVAATUST: Ärge seadistage lõikamiskõrgust liiga madalaks. Kui muru pole tasane, võivad lõiketerad puutuda vastu maad.

Aku

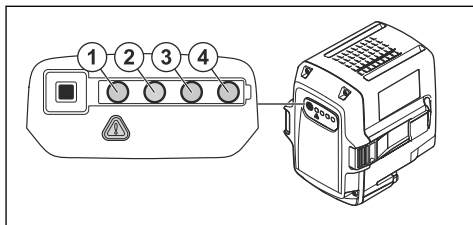


HOIATUS: Enne aku kasutamist lugege läbi ohutust puudutav jaotis ja veenduge, et oleksite kõigest aru saanud. Samuti tuleb läbi lugeda aku ja akulaadija kasutusjuhend ning veenduda, et kogu teave on arusaadav.

Aku olek

Ekraanil kuvatakse aku järelejäänud mahtuvus ja akuga seotud mis tahes probleemid. Aku mahtuvus kuvatakse viie sekundi jooksul pärast seadme väljalülitamist või

akunäidiku nupu vajutamisel. Akul olev hoiatussümbol süttib tõrke ilmnemisel. Vt jaotist *Aku lk 221*.



LED-tuled	Aku olek
Kõik LED-tuled põlevad	Täis (75–100%).
LED 1, LED 2, LED 3 põlevad	Aku on laetud 50–75%
LED 1, LED 2 põlevad	Aku on laetud 25–50%
LED 1 põleb	Aku on laetud 0–25%
LED 1 vilgub	Aku on tühi. Laadige akut.

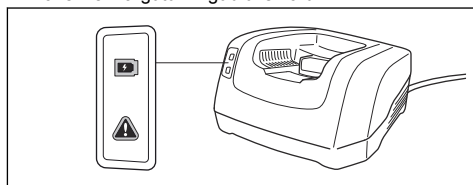
Aku laadimine

Enne esimest kasutuskorda laadige aku täis. Kliendile tarnimisel on aku laetud üksnes 30% ulatuses.

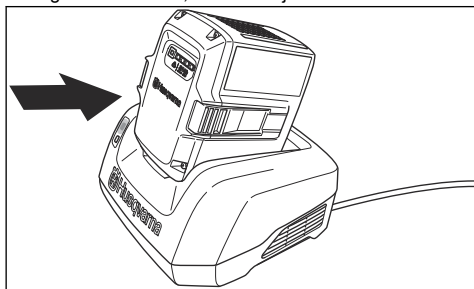
Märkus: Akulaadija tuleb ühendada tüübisildil näidatud pinge ja sagedusega võrku.

Aku laadimist ei toimu, kui aku temperatuur on üle 50 °C. Enne laadimise alustamist langetab akulaadija aku temperatuuri vajalikule tasemele.

1. Ühendage akulaadija toitejuhtme üks ots akulaadija pesasse.
2. Ühendage akulaadija toitejuhtme teine ots maandatud võrgupistikupesasse. Akulaadijal olev roheline märgutuli vilgub üks kord.



3. Asetage aku akulaadijasse. Kui aku on akulaadijaga õigesti ühendatud, süttib laadijal roheline tuli.



4. Kui aku kõik märgutuled põlevad, on aku täis. Ärge laadige akut kauem kui 24 tundi.
5. Akulaadija toitejuhtme võrgupistikupesast lahutamisel tõmmake pistikust, mitte juhtmest.
6. Eemaldage aku laadijast.

Aku laadimiselek

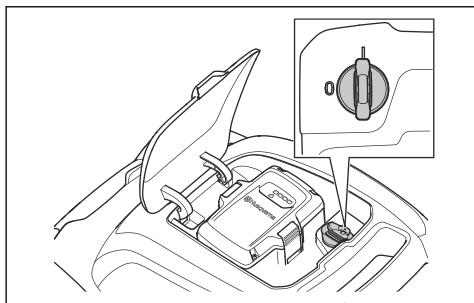
Husqvarna Liitium-ioonakut saab laadida ja kasutada kõikidel laadimistasemetel. Aku ei ole kahjustunud. Täis laetud aku ei tühjene, kui aku laadijasse jätta.

LED-näidik	Laadimiselek
LED 1 vilgub	0–25%
LED 1 põleb, LED 2 vilgub	25–50%
LED 1, LED 2 põlevad, LED 3 vilgub	50–75%
LED 1, LED 2, LED 3 põlevad, LED 4 vilgub	75–100%
LED 1, LED 2, LED 3, LED 4 põlevad	Täielikult laetud

LC 141iV Ja LC 141i kasutamine

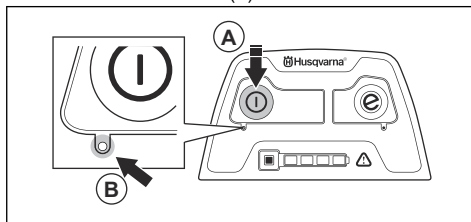
Seadme käivitamine

1. Asetage laetud aku akupesasse.
2. Keerake ohutuslüli asendisse 1.

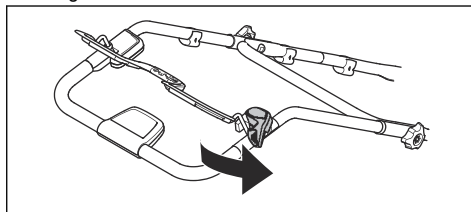


3. Olge toote taga.

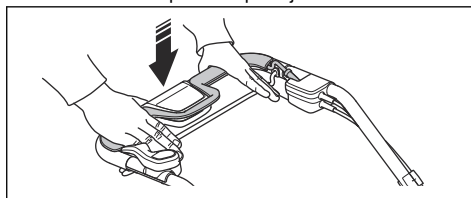
4. Vajutage juhtimispaneelil nuppu ON/OFF (A) ja süttib roheline LED-tuli (B).



5. Avage käivitustõkesti.

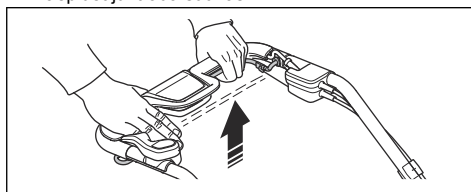


6. Lükake mootori pidurikäepidet juhtraua suunas.

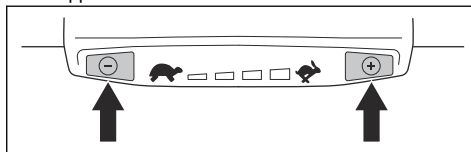


Veo kasutamine ratastel

- Mudel LC 141iV. Veo alustamiseks tõmmake veo käepidet juhtraua suunas.



- Veokiiruse määramiseks neljas astmes vajutage + ja - nuppe.

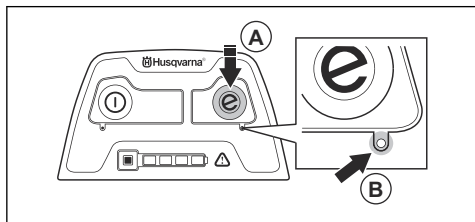


- Veo vabastamiseks vabastage veo käepide näiteks siis, kui läheneate takistusele.

SavE funktsiooni kasutamine

Toode on varustatud akusäästufunktsiooniga (SavE), mis pikendab aku tööiga.

1. Funktsiooni käivitamiseks vajutage SavE nuppu (A). Süttib roheline LED-tuli.



2. Funktsiooni peatamiseks vajutage uuesti SavE nuppu. Roheline LED-tuli (B) kustub.

Kui maapinna tingimused nõuavad suuremat võimsust, seiskub SavE funktsioon automaatselt. Kui maapinna tingimused seda lubavad, käivitub SavE funktsioon automaatselt.

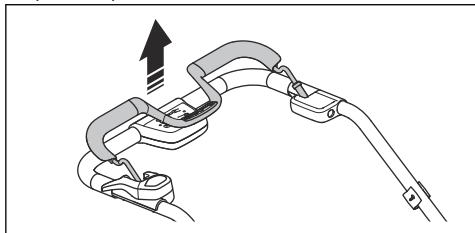
Suure koormuse funktsioon

Kui seade niidab märga või pikka rohtu, suureneb mootori pöörete arv minutis automaatselt. Kui koormus langeb, lülitub motor automaatselt tagasi tavarežiimile.

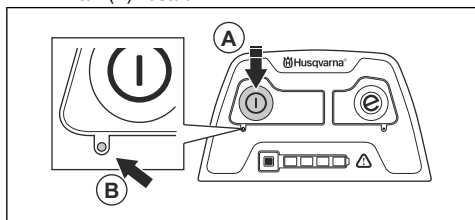
Toote seiskamine

Kui seadet 10 minuti jooksul ei kasutata, seiskub see automaatselt. Enne toote järelevalveta jätmist keerake ohutuslülitit alati asendisse 0.

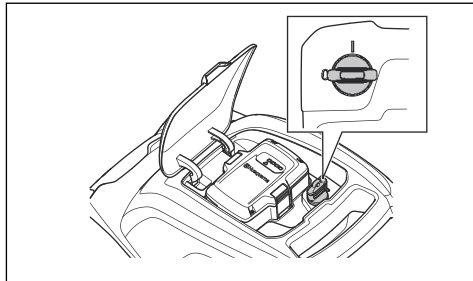
1. Mootori seiskamiseks vabastage mootori pidurikäepide.



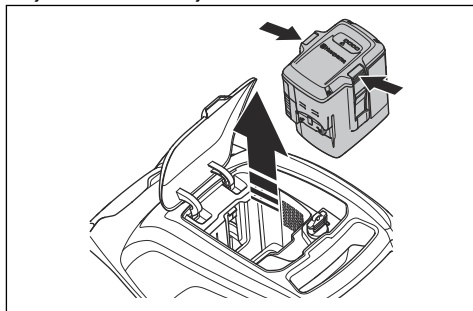
2. Vajutage juhtpaneelil ON/OFF nuppu (A) ja roheline LED-tuli (B) kustub.



3. Avage akukaas ja keerake ohutuslülitit asendisse 0.



4. Aku eemaldamiseks vajutage kahte vabastusnuppu ja tõmmake aku välja.



5. Laadige akut, kui see on tühenenud. Lisateavet leiate jaotisest *Aku laadimine lk 215*.

LC 141C kasutamine

Heakskiidetud kaabli valimine (LC 141C)

Märkus: Ühendkuningriigi turul tohib kasutada ainult toote tarnekomplekti kuuluvat 16M pikenduskaablit. Kõikide teiste turgude korral lugege alltoodud teavet.

Kui kasutate pikenduskaableid, peavad need vastama allpool tabelis toodud minimaalsetele ristlõigetetele.

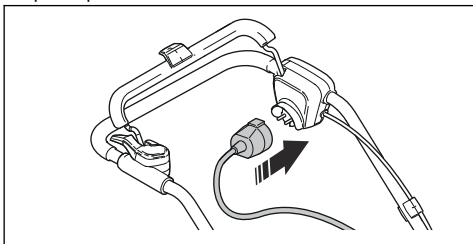
Pinge	Juhtme pikkus	Ristlõige
220–240V / 50Hz	kuni 20 m	1,5 mm ²
220–240V / 50Hz	20–50 m	2,5 mm ²

- Toite- ja pikenduskaableid saate Husqvarna välitingimustes kasutatavate toodete kohalikust volitatud hooldustöökajast.
- Kasutage ainult spetsiaalselt õues kasutamiseks ettenähtud pikenduskaableid, mis vastavad ühele alljärgnevatest spetsifikatsioonidest: tavaline kummi (60245 IEC 53), tavaline PVC (60227 IEC 53) või tavaline PCP (60245 IEC 57)

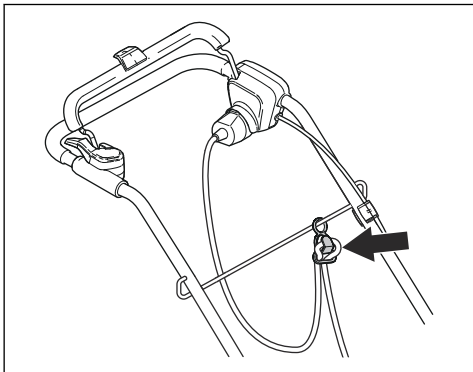
- Kui toitekaabel on kahjustunud, tuleb see lasta ohu vältimiseks tootjal, tema hooldusesindusel või samaväärse kvalifikatsiooniga isikul välja vahetada.

Seadme käivitamine

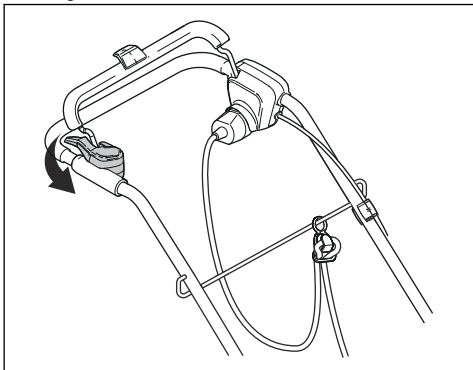
1. Ühendage toitekaabel käepideme all olevasse pistikupessa.



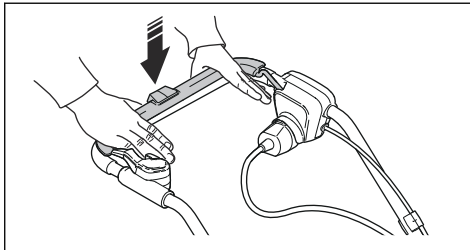
2. Pange toitekaabel toitekaabli hoidikusse. Vt jaotist *Toitekaabli hoidiku kasutamine (mudel LC 141C) lk 208.*



3. Olge toote taga.
4. Avage käivitustõkesti.

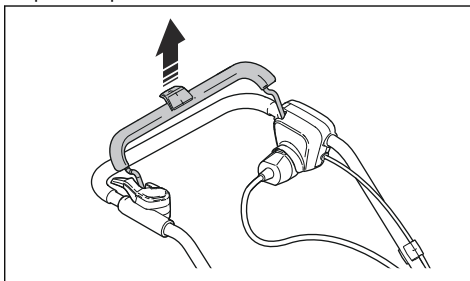


5. Lükake mootori pidurikäepidet juhtraua suunas.

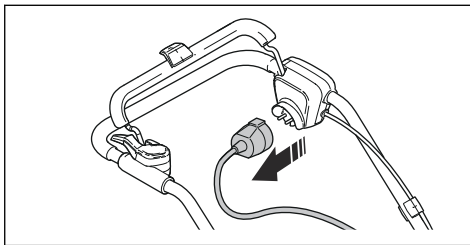


Seadme seiskamine

1. Mootori seiskamiseks vabastage mootori pidurikäepidde.



2. Lahutage toitekaabel vooluvõrgust ja seejärel seadmest.



ETTEVAATUST: Tõmmake pistik välja sirgelt. Ärge tõmmake toitejuhet.

Hea tulemuse saavutamine

- Kasutage vahedat lõiketera. Nüri tera annab ebaühtlase tulemuse ja muru lõigatud osa muutub kollaseks. Terav lõiketera on nüri teraga võrreldes energiasäästlikum.
- Lõigake kuni pool muru pikkusest. Niitke kõigepealt kõrgele reguleeritud lõikamiskõrgusega. Vaadake tulemust ja seadistage lõikamiskõrgus soovitud madalamale tasemele. Kui muru on väga pikk, sõitke aeglaselt ja vajadusel niitke kaks korda.
- Niitke iga kord erinevas suunas, et ära hoida triipude tekkimist murule.

Hooldamine

Sissejuhatus



HOIATUS: Enne seadme hooldamist lugege põhjalikult läbi ohutust puudutav peatükk.

Toote hooldamiseks ja remontimiseks on vaja erioskusi. Tagame asjatundliku remondi- ja hooldustöö. Kui edasimüüjal, kellelt toote ostsite, pole hooldustöökoda, küsige neilt teavet lähima hooldustöökoja kohta.

Hoolduskeem

Hooldusintervallide arvutamisel on aluseks võetud toote igapäevane kasutamine. Intervallid muutuvad, kui toodet igapäevaselt ei kasutata.

Tärniga (*) tähistatud hooldustööde kohta vt *Toote ohutusseadised lk 208*.

LC 141IV, LC 141I ja LC 141C	Igal kasutuskorral	Üks kord kuus	Igal aastajal
Tehke üldkontroll.	X		
Puhastage toode.	X		
Kontrollige käivitustökestit*.	X		
Veenduge, et toote ohutusseadistel poleks defekte*.	X		
Kontrollige löikeosa.	X		
Kontrollige löikekatet*.	X		
Kontrollige mootori pidurikäepidet*.	X		

Ainult LC 141IV ja LC 141I	Igal kasutuskorral	Üks kord kuus	Igal aastajal
Veenduge, et ON/OFF nupp töötaks korralikult ja sellel poleks defekte.	X		
Veenduge, et akul poleks kahjustusi.	X		
Kontrollige aku laetust.	X		
Veenduge, et aku vabastusnupud töötaksid korralikult ning et aku lukustuks kindlalt seadme külge.	X		
Veenduge, et akulaadijal poleks kahjustusi ja et see töötaks korrektselt		X	
Kontrollige aku ja seadme vahelisi ühendusi. Samuti kontrollige aku ja akulaadija vahelisi ühendusi.			X

Üldkontrolli läbiviimine

- Veenduge, et toote mutrid ja kruvid oleksid pingutatud.
- Veenduge, et toote juhtmed ei oleks sellises asendis, kus need võiksid kahjustada saada.

- Ärge puhastage seadet veega. Vesi võib pääseda aku või mootori sisse ja põhjustada lühise või kahjustada toodet.
- Ärge kasutage seadme puhastamiseks survespesurit.
- Ärge valage vett otse mootorile.
- Eemaldage lehed, muru ja pori harja abil.

Toote puhastamine

- Puhastage plastosi puhta ja kuiva lapiga.

Aku ja akulaadija puhastamine



ETTEVAATUST: Ärge puhastage akut või akulaadijat veega.

- Enne aku asetamist akulaadijasse veenduge, et aku ja akulaadija oleksid puhtad ja kuivad.
- Puhastage akuklemmid suruõhu või pehme ja kuiva riidelapiga.
- Puhastage aku ja akulaadija välispinnad pehme ja kuiva riidelapiga.

Lõikeosa kontrollimine



HOIATUS: Mudel LC 141iV ja LC 141i: Juhusliku käivitumise vältimiseks keerake ohutusüliti asendisse 0, eemaldage aku ja oodake vähemalt viis sekundit.

Mudel LC 141C: Juhusliku käivitumise vältimiseks lahutage toitekaabel.



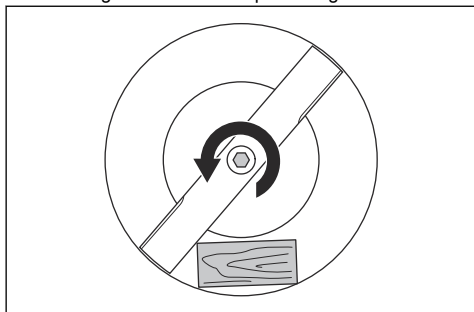
HOIATUS: Lõikeosa hooldamisel kandke kaitsekindaid. Lõiketera on väga terav ja võib kergesti põhjustada lõikevigastusi.

1. Kontrollige lõikeosa kahjustuste ja mõrade suhtes. Kahjustatud lõikeosa tuleb alati välja vahetada.
2. Kontrollige, kas lõiketera on kahjustatud või nüri.

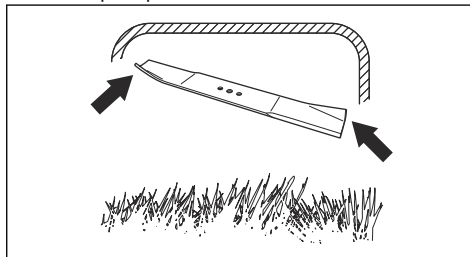
Märkus: Teritamise järel tuleb lõiketera tasakaalustada. Lõiketera teritamine, asendamine ja tasakaalustamine usaldage hooldustehnikule. Kui toode pörkub vastu eset, mis põhjustab toote seiskumise, vahetage välja kahjustatud lõiketera. Laske hoolduskeskuses hinnata, kas tera saab teritada või tuleb see välja vahetada.

Lõiketera eemaldamine ja vahetamine

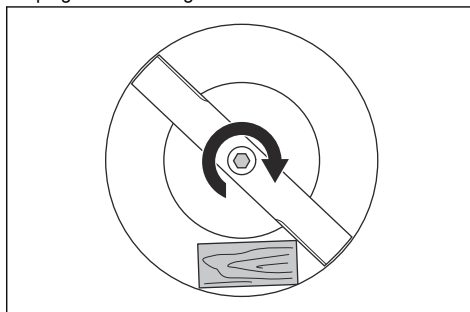
1. Lukustage lõiketera mõne puuklotsiga.



2. Eemaldage lõiketera polt.
3. Eemaldage lõiketera.
4. Eemaldage lõiketera tugi ja polt ning kontrollige, kas esineb kahjustusi.
5. Kontrollige mootori võlli ja veenduge, et see poleks väändunud.
6. Uue lõiketera kinnitamisel suunake nurksed otsad lõikekorpuse poole.



7. Veenduge, et lõiketera ja mootori võlli kese oleksid kohakuti.
8. Lukustage lõiketera mõne puuklotsiga. Kinnitage vedruseib ning pingutage polti ja seibi pingutusmomendiga 20 Nm.



9. Keerake tera käega, veendumaks, et see pöörleb vabalt.



HOIATUS: Kasutage tugevaid kindaid. Lõiketera on väga terav ja võib kergesti põhjustada lõikevigastusi.

10. Tera katsetamiseks käivitage toode. Kui tera on valesti kinnitatud, siis toode vibreerib ja niitmistulemus pole rahuldav.

Veatsing

Aku

Aku LED-tuli	Põhjus	Lahendus
Roheline LED-tuli vilgub.	Aku pinge on madal.	Laadige aku. Vt jaotist <i>Aku laadimine lk 215</i> .
Törke LED-tuli vilgub	Aku on tühjenenud.	Laadige aku. Vt jaotist <i>Aku laadimine lk 215</i> .
	Töökeskkonna temperatuur on liiga kõrge või liiga madal.	Kasutage akut keskkonnas, mille temperatuur jääb vahemikku –10 kuni 40 °C.
	Ülepinge.	Veendu, et toiteallika võrgupinge vastaks toote mudeli etiketil märgitule. Eemaldage aku laadijast. Oodake viis sekundit ja proovige akut uuesti laadida. Probleemi püsimisel pöördu volitatud hooldustöökoja poole.
Törke LED-tuli põleb.	Elementide erinevus on liiga suur (1 V).	Pöörduge volitatud hooldustöökoja poole.

Akulaadur

Akulaadija LED-tuli	Põhjus	Lahendus
Törke LED-tuli vilgub	Töökeskkonna temperatuur on liiga kõrge või liiga madal.	Kasutage akulaadijat keskkonnas, mille temperatuur jääb vahemikku 5 kuni 40 °C.
Törke LED-tuli põleb.		Pöörduge volitatud hooldustöökoja poole.

Juhtpaneel

Selles jaotises mitte loetletud probleemide korral pöörduge hooldustöökoja poole.

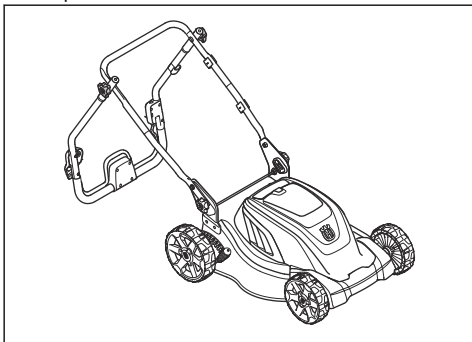
Klahvistik	Võimalikud tõrked	Võimalik lahendus
Törke LED-tuli vilgub	Mootori ülekoormus	Suurendage löikamiskõrgust. Vt jaotist <i>Löikamiskõrguse reguleerimine lk 215</i> .
	Mootori kiirus langeb liigselt ja mootor seiskub	
	Mootori juhtseade on liiga kuum	Seisake mootor ja oodake, kuni see on jahtunud
	Löiketera liikumine on takistatud	Juhusliku käivitumise vältimiseks keerake ohutuslüli asendisse 0, eemaldage aku ja oodake vähemalt viis sekundit. Veenduge, et löiketera saaks vabalt pöörelda. Probleemi püsimise korral võtke ühendust volitatud hooldustöökojaga
	Aku tõrge või aku signaali pole	Asetage aku õigesti seadmesse ja kontrollige akukonnetorit. Kui aku tõrke LED-tuli vilgub, vt <i>Aku lk 221</i> .

Klahvistik	Võimalikud tõrked	Võimalik lahendus
Seade seiskub	Aku on tühjenenud	Laadige aku. Vt jaotist <i>Aku laadimine lk 215</i> .
	Akukonnektori tõrge	Kontrollige akukonnektorit

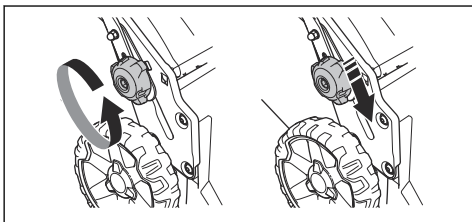
Transportimine, hoialepanek ja utiliseerimine

Muruniiduki seadmine transportasendisse

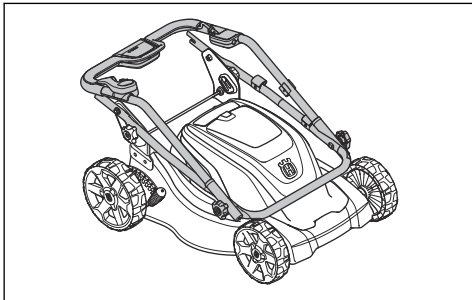
1. Eemaldage rohkogur (kui paigaldatud).
2. Keerake lahti ülemise käepideme nupud ja pöörake käepide alla.



3. Keerake alumised hoovad lahti.
4. Liigutage nupud toote vasakul ja paremal küljel olevatesse soonetesse.



5. Keerake käepide ettepoole.



Transportimine

- Liitium-ioonakudele kehtivad ohtlike kaupade veonõuded.
- Kaubandusliku transpordi korral tuleb järgida pakendamise ja märgistamise erinõudeid.
- Toote transportimiseks ettevalmistamisel järgige kindlasti ohtlikele ainetele kehtivaid eeskirju. Kehtida võivad ka kohalikud eeskirjad.
- Transpordi ajaks tuleb aku alati eemaldada.
- Katke akukonnektorid isoleerteibiga ja veenduge, et aku ei saaks transportimise ajal liikuma hakata.
- Kinnitage seade transportimise ajaks.

Hoiustamine

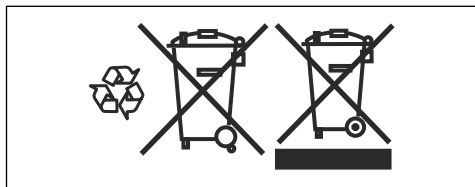
- Hoiustamise ajaks tuleb aku alati eemaldada.
- Õnnetuste vältimiseks veenduge, et aku ja seade poleks hoiustamise ajal ühendatud.
- Hoidke akulaadijat suletud ja kuivas kohas.
- Hoidke akut ja akulaadijat kuivas kohas, kus pole niiskust ja miinuskraade.
- Ladustamise ajaks lahutage aku akulaadija küljest.
- Ärge hoidke akut kohas, kus võib tekkida staatiline elekter. Ärge hoidke akut metallkastis.
- Hoidke akut kohas, mille temperatuur jääb vahemikku 5 kuni 25 °C, ja kuhu ei paista otsene päikesevalgus.
- Hoidke akulaadijat kohas, mille temperatuur jääb vahemikku 5 kuni 45 °C, ja kuhu ei paista otsene päikesevalgus.
- Enne aku pikemaajalist hoiustamist laadige see 30–50% ulatuses täis.
- Hoidke seadet, akut ja akulaadijat suletud ruumis, kuhu ei pääse lapsed ja volitamata kõrvalised isikud.
- Enne seadme pikemaajalist hoiustamist puhastage seade ja tehke sellele täishooldus.

Kõrvaldamine

Tootel või selle pakendil olevad sümbolid viitavad, et toodet ei tohi visata olmeprügi hulka. See tuleb toimetada ettenähtud vastuvõtupunkti, kus elektri- ja elektroonikaseadmed võetakse uuesti ringlusesse.

Hoolitsedes toote eest õigel viisil aitate vähendada võimalikke negatiivseid mõjusid keskkonnale ja inimestele, mis võivad avalduda toote vale käitlemise korral. Lisateabe saamiseks toote ringlussevõtu kohta

pöörduge vastava kohaliku ametkonna, jäätmekäitlustevõtte või toote müünud kaupluse poole.



Tehnilised andmed

Tehnilised andmed LC 141iV, LC 141i

	LC 141iV	LC 141i
Cutting motor (Lõikemootor)		
Mootori tüüp	BLDC (harjadeta) 36 V	BLDC (harjadeta) 36 V
Mootori pöörlemissagedus – SavE, p/min	2700	2700
Mootori pöörlemissagedus – nimisagedus, p/min	3100	3100
Mootori pöörlemissagedus – suur koormus, p/min	3700	3700
Mootori väljundvõimsus – max kW	0,8	0,8
Mootori väljundvõimsus – nimivõimsus, kW	0,55	0,55
Veomootor		
Mootori väljundvõimsus – nimivõimsus, kW	0,25	–
Iseliikumiskiirus, km/h	3,0–4,5	–
Reguleeritavad kiirusetasemed	4	–
Mass		
Kaal ilma akuta (kg)	21,5	18,6
Aku⁵⁰		
Aku tüüp	Husqvarna Akuseeria	Husqvarna Akuseeria
Aku tööaeg		
Aku tööaeg, min. (vabajooksul) SavE on aktiveeritud, ühe Husqvarna 5,2 Ah akuga (BLi200).	77	77
Aku tööaeg, min. (vabajooksul) standardrežiim on aktiveeritud, ühe Husqvarna 5,2 Ah akuga (BLi200).	45	45
Müraemissioon⁵¹		
Helivõimsuse tase, mõõdetud dB(A)	88	88
Müravõimsustase, garanteeritud L _{WA} dB(A)	89	89

⁵⁰ Parimate tulemuste saavutamiseks kasutage Husqvarna akut BLi200.

⁵¹ Müraemissioon ümbritsevasse keskkonda, mõõdetud helivõimsuse tasemenäitajana (L_{WA}) vastavalt EÜ direktiivile 2000/14/EÜ

	LC 141IV	LC 141i
Müratase ⁵²		
Helirõhutase kasutaja kõrva juures, dB(A)	83	83
Vibratsioonitase ⁵³		
Käepide, m/s ²	2,0	2,0
Lõikamine		
Lõikekõrgus, mm	25–70	25–70
Niitmislaius, cm	41	41
Lõiketera, tootenumber	Kogur - 5011716-01	Kogur - 5011716-01
Kogumiskoti maht, liitrit	50	50

Heakskidetud akud	Kaubamärk	Tüüp	Aku mahtuvus, Ah	Pinge, V	Kaal, naela/kg
BLi10	Husqvarna	Liitiumioonaku	2,0	36	1,8/0,8
BLi100	Husqvarna	Liitiumioonaku	2,6	36	1,9/0,8
BLi20	Husqvarna	Liitiumioonaku	4,0	36	2,7/1,2
BLi200	Husqvarna	Liitiumioonaku	5,2	36	2,8/1,3
BLi300	Husqvarna	Liitiumioonaku	9,4	36	4,1/1,9

Määratletud akude heakskidetud akulaadlajad,	Kaubamärk	Sisendpinge, V	Sagedus, Hz	Võimsus, W
QC80	Husqvarna	100-240	50-60	80
QC80F	Husqvarna	12	0	80
QC250	Husqvarna	220–240	50	250
QC330	Husqvarna	100-240	50-60	330
QC500	Husqvarna	100-240	50-60	500

Tehnilised andmed LC 141C

	LC 141C
Mootor	
Mootori tüüp	Jadaergutusega vahelduvvoolumootor
Mootori pöörlemis- ja nimisagedus, p/min	3200
Võimsus	1800 W

⁵² Mõõra rõhutase kohta toodud andmete statistiline dispersioon (standardhälve) on 1,2 dB(A).

⁵³ Vibratsioonitaseme kohta toodud andmete tüüpiline statistiline dispersioon (standardhälve) on 0,2 m/s².

	LC 141C
Toiteallikas	Elektrikaabel
Toitekaabel (tamekomplektis ainult Ühendkuningriigi turul)	
Kaabli tüüp	16M pikenduskaabel
Kaal, kg	1,6
Mass	
Kaal, kg	20,4
Müraemissioon ⁵⁴	
Helitugevuse tase, dB(A)	93
Müravõimsustase, garanteeritud L _{WA} dB(A)	95
Müratase ⁵⁵	
Helirõhutase kasutaja kõrva juures, dB(A)	85
Vibratsioonitase ⁵⁶	
Käepide, m/s ²	2,0
Lõikamine	
Lõikekõrgus, mm	25–70
Niitmislaius, cm	41
Lõiketera, artikli number	Kogur 5011716-01
Kogumiskoti maht, liitrit	50

⁵⁴ Müraemissioon ümbritsevasse keskkonda, mõõdetud helivõimsuse tasemenähtena (L_{WA}) vastavalt EÜ direktiivile 2000/14/EÜ.

⁵⁵ Müra rõhutase kohta toodud andmete statistiline dispersioon (standardhälve) on 1,4 dB(A).

⁵⁶ Vibratsioonitaseme kohta toodud andmete tüüpiline statistiline dispersioon (standardhälve) on 0,2 m/s².

EÜ vastavusdeklaratsioon

Husqvarna AB, SE-561 82 Huskvarna, Rootsi, tel: +46-36-146500 kinnitab, et **muruniidukid Husqvarna LC 141iV ja LC 141i** alates seerianumbrist 2018XXXXXXX ja **Husqvarna LC 141C** alates seerianumbrist 2015XXXXXXX vastavad nõuetele, mis on esitatud NÕUKOGU DIREKTIIVIS:

- **2011/65/EL** (8. juuni 2011), teatavate ohtlike ainete kasutamise piiramise kohta;
- **2006/42/EÜ** (17. mai 2006), masinadirektiiv;
- **2014/30/EL** (26. veebruar 2014), elektromagnetilise ühilduvuse direktiiv;
- **2000/14/EÜ** (8. mai 2000), müradirektiiv.

Mürataseme kohta leiad teavet tehniliste andmete peatükist.

Husqvarna LC 141iV ja LC 141i sertifitseerimise jaoks on rakendatud järgmisi standardeid: **IEC 60335-2-77:2002, IEC 60335-1:2010+A1:2013, EN 55014-1:2017, EN 55014-2:2015, EN 61000-3-2:2014, EN 61000-3-3:2013, EN 62233:2008**

Husqvarna LC 141C sertifitseerimise jaoks on rakendatud järgmisi standardeid: **EN 60335-1:2012+A11:2014, EN 60335-2-77:2010, EN 62233:2008, EN 55014-1:2017+A11, EN 55014-2:2015, EN 61000-3-2:2019, EN 61000-3-11:2019**

Teavitatud asutus: **0404, RISE SMP Svensk Maskinprovning AB, Box 7035, SE-750 07 Uppsala** on teinud vastavushindamise vastavalt direktiivi 2000/14/EÜ VI lisale.

Huskvarna, 2020-10-13



Claes Losdal, aiandustoodete arendusdirektor
(Husqvarna AB volitatud esindaja, tehnilise dokumentatsiooni vastutav juht)

Sisälllys

Johdanto.....	227	Vianmääritys.....	247
Turvallisuus.....	230	Kuljettaminen, säilyttäminen ja hävittäminen.....	248
Asentaminen.....	238	Tekniset tiedot.....	249
Käyttö.....	240	EY-vaatimustenmukaisuusvakuutus.....	252
Huolto.....	245		

Johdanto

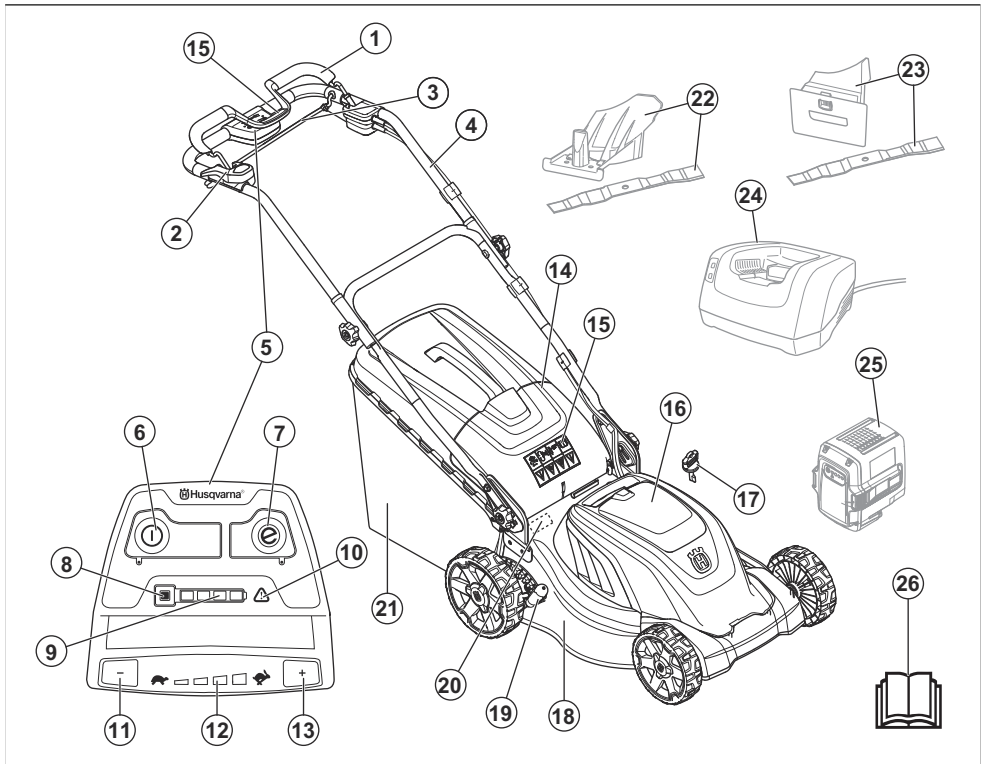
Tuotekuvaus

Tuote on kävellen ohjattava ja pyörivä ruohonleikkuri. Leikattu ruoho kerätään ruohonkerääjään. Voit ottaa ruohon taakseheittotoiminnon käyttöön irrottamalla ruohonkerääjän. Voit tehdä ruohon leikkuujätteestä lannoitetta liittämällä ruohonleikkuriin silppurin (lisävaruste).

Käyttötarkoitus

Käytä laitetta ruohon leikkuuseen. Älä käytä laitetta muihin tehtäviin.

Laitteen kuvaus LC 141iV/LC 141i

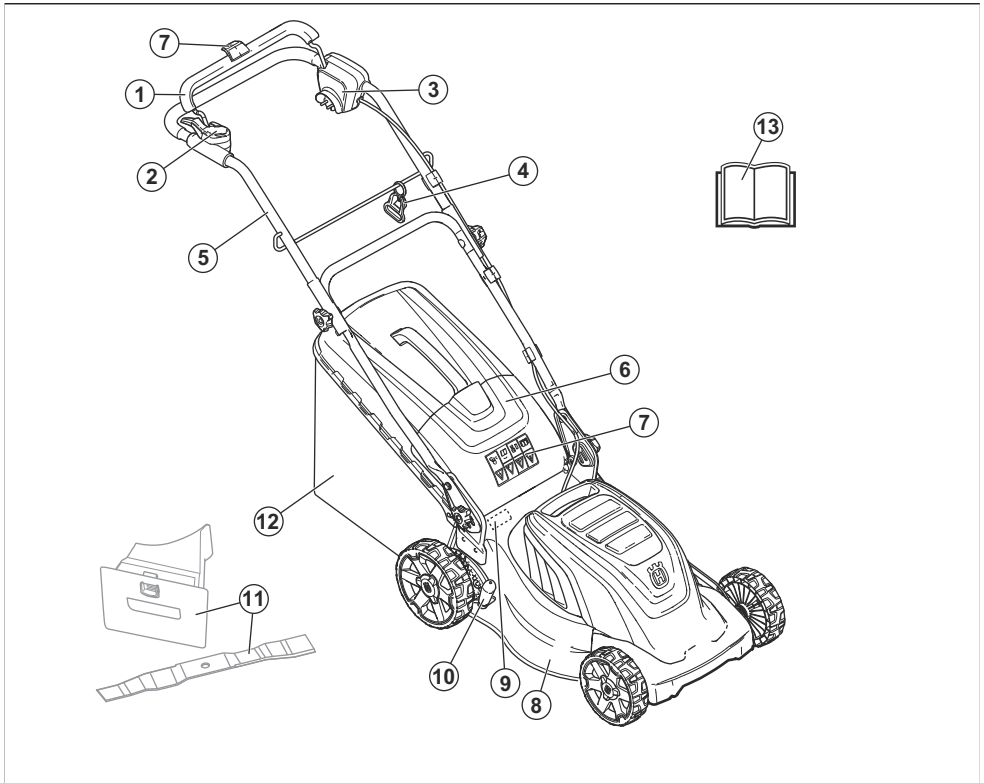


1. Moottorin jarrukahva
2. Käynnistyksenesto
3. Vetojärjestelmän sanka (LC 141iV)

4. Kahva/kahvasto
5. Ohjauspaneeli
6. Virtapainike

7. SavE-painike
8. Akun varaustilan painike
9. Akun varaustilan ilmaisin
10. Varoitusmerkkivalo (vian merkkivalo)
11. Hidastuspainike (LC 141iV)
12. Nopeusilmaisin (LC 141iV)
13. Nopeutuspainike (LC 141iV)
14. Takasuojus
15. Tunnukset
16. Akun kansi
17. Turva-avain
18. Leikkuusuojus
19. Leikkuukorkeuden säätövipu
20. Tyypikilpi
21. Ruohonkerääjä
22. Silppurisarja (lisävaruste malleille LC 141iV)
23. Silppurisarja (lisävaruste malleille LC 141i)
24. Akkulaturi (lisävaruste)
25. Akku (lisävaruste)
26. Käyttöohjekirja

Laitteen kuvaus LC 141C



1. Moottorin jarrukahva
2. Käynnistyskenesto
3. Virtajohdon pistorasia
4. Virtajohdon pidike
5. Kahva/kahvasto
6. Takasuojus
7. Tunnukset
8. Leikkuusuojus
9. Tyypikilpi
10. Leikkuukorkeuden säätövipu
11. Silppurin tulppa (lisävaruste)
12. Ruohonkerääjä
13. Käyttöohjekirja

Laitteen symbolit



Laitteen huolimaton tai virheellinen käyttö voi aiheuttaa käyttäjälle tai

sivullisille vammoja tai kuoleman.



Lue käyttöohje huolellisesti ja varmista, että ymmärrät sen sisällön, ennen kuin alat käyttää tätä laitetta.



Pidä sivulliset ja eläimet turvallisen välimatkan päässä työalueesta.



Varo sinkoutuvia esineitä ja kimmokkeita.



Varoitus: Pidä kädet ja jalat poissa pyörivän terän läheisyydestä.



Varoitus: Pidä kädet ja jalat poissa pyörivien osien läheisyydestä.



Irrota turva-avain ennen koneen huoltotöitä. (malli LC 141iV/LC 141i)



Irrota virtajohto pistorasiasta ennen koneen huoltotöiden aloittamista. (malli LC 141C)

IPX1

IPX1 – Kone on suojattu pystysuoraan tippuvalta vedeltä (malli LC 141iV/LC 141i)

IPX4

IPX4 – Kone on suojattu roiskuvulta vedeltä (malli LC 141C)



Älä jätä konetta sateeseen (malli LC 141iV/LC 141i)



Varoitus: Älä aja koneella virtajohdon yli, sillä se voi aiheuttaa sähköiskun tai vaurioittaa laitetta. (malli LC 141C)



Tämä laite täyttää sovellettavien EY-direktiivien vaatimukset.

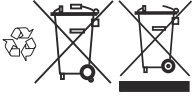


Melupäästöt ympäristöön Euroopan yhteisön direktiivin mukaisesti. Laitteen päästöt ilmoitetaan luvussa Tekniset tiedot ja arvokilvessä.



Tasavirta. 36 V

Kaksoiseristys.



Vie tämä kone asianmukaiseen sähkö- ja elektroniikkalaitteiden keräyspisteeseen. (Koskee ainoastaan Eurooppaa)



Mallin LC 141iV/
LC 141i käynnistäminen: paina virtapainiketta, avaa käynnistykse-
nesto ja paina moottorin jarrukahva alas.



Mallin LC 141C
käynnistäminen: avaa käynnistykse-
nesto ja paina moottorin jarrukahva alas.

paina moottorin jarrukahva alas.



Pysäyttäminen: vapauta moottorin jarrukahva.



Hidas



Nopea



Skannattava koodi

Huomautus: Muita laitteen symboleita/tarroja tarvitaan joillakin markkina-alueilla ilmaisemaan sertifiointivaatimuksia.

Tuotevastuu

Tuotevastuulain mukaisesti emme ole vastuussa tuotteen aiheuttamasta vaurioista, jos

- tuote on korjattu virheellisesti
- tuotteen korjaamiseen on käytetty muita kuin valmistajan omia tai sen hyväksymiä osia
- tuotteessa on muu kuin valmistajan oma tai sen hyväksymä lisävaruste
- tuotetta ei ole korjattu valtuutetussa huoltopisteessä tai hyväksytyllä asiantuntijalla.

Turvallisuus

Turvallisuusmääritelmät

Varoituksia, huomioita ja huomautuksia käytetään, kun jotakin käyttöohjeen osaa halutaan erityisesti korostaa.



VAROITUS: Tätä käytetään, jos käyttöohjeen noudattamatta jättämisestä voi seurata käyttäjän tai sivullisen vamma tai kuolema.



HUOMAUTUS: Tätä käytetään, jos käyttöohjeen noudattamatta jättämisestä voi seurata koneen, muiden materiaalien tai ympäristön vaurioituminen.

Huomautus: Tätä käytetään tietyissä tilanteissa tarvittavien lisätietojen antamiseen.

Yleiset turvaohjeet



VAROITUS: Lue seuraavat varoitusohjeet ennen laitteen käyttämistä.

- Tämä laite on vaarallinen, jos sitä käytetään huolimattomasti tai virheellisesti. Turvaohjeiden noudattamatta jättäminen voi aiheuttaa vammoja tai kuoleman.
- Laite muodostaa käytön aikana sähkömagneettisen kentän. Kenttä saattaa joissakin olosuhteissa häiritä aktiivisten tai passiivisten lääketieteellisten implanttien toimintaa. Vakavien tai hengenvaarallisten tapaturmien ehkäisemiseksi kehotamme lääketieteellisiä implantteja käyttäviä henkilöitä neuvottelemaan lääkärin ja lääketieteellisen implantin valmistajan kanssa ennen laitteen käyttämistä.
- Ole aina varovainen ja käytä tervettä järkeä. Jos et ole varma, miten laitetta käytetään erityistilanteessa, sammuta laite ja ota yhteys Husqvarna-jälleenmyyjään, ennen kuin jatkat.
- Muista, että käyttäjä on vastuussa muille ihmisille tai heidän omaisuudelleen aiheutuvista vahingoista.
- Pidä laite puhtaana. Varmista, että tuotteen merkit ja tarrat ovat luettavissa.
- Älä anna lasten tai näitä ohjeita tuntemattomien henkilöiden käyttää laitetta. Paikalliset määräykset saattavat rajoittaa käyttäjän ikää.
- Valvo aina laitetta käyttävää henkilöä, jonka fyysiset tai psyykkiset taidot ovat heikentyneet. Vastuullisen aikuisen on oltava aina paikalla.
- Älä käytä laitetta ollessasi väsynyt tai sairas tai jos olet alkoholin, huumaavien aineiden tai lääkkeiden vaikutuksen alaisena. Niillä on negatiivinen vaikutus näkökykyysi, vireytesi, harkintakykyysi ja kehosi hallintaan.
- Älä käytä konetta, jos se on viallinen.
- Älä tee koneeseen muutoksia tai käytä konetta, mikäli epäilet jonkun muun muuttaneen sitä.

Työalueen turvallisuus



VAROITUS: Lue seuraavat varoitusohjeet ennen laitteen käyttämistä.

- Poista työskentelyalueelta oksat, risut ja kivet ennen tuotteen käyttämistä.

- Terävarustukseen osuvat esineet sinkoutuvat edelleen ja voivat siten aiheuttaa vahinkoa ihmisille ja esineille. Pidä sivulliset ja eläimet turvallisen välimatkan päässä tuotteesta.
- Älä koskaan käytä laitetta huonolla säällä esimerkiksi sumussa, sateessa, kovassa tuulessa, ankarassa pakkasessa tai ukkosella. Laitteen käyttäminen huonolla säällä tai kosteissa tai märissä olosuhteissa on raskasta. Huono sää voi aiheuttaa vaaratilanteita, kuten liukastumisvaaran.
- Varo henkilöitä, esineitä ja tilanteita, jotka voivat estää laitteen turvallisen käytön.
- Varo esteitä, kuten juuria, kiviä, risuja, kuoppia ja oja. Pitkän ruohon seassa voi olla esteitä.
- Ruohon leikkaaminen rinteissä voi olla vaarallista. Älä leikkaa ruohoa erittäin jyrkissä rinteissä. Älä käytä laitetta rinteessä, jonka kaltevuus on yli 15°.
- Noudata erityistä varovaisuutta vaihtaessasi suuntaa rinteessä. Käytä laitetta sivusuunnassa rinteeseen nähden. Älä käytä laitetta pystysuunnassa.

- Ole varovainen lähestyessäsi piilossa olevia kulmia ja esineitä, jotka estävät näkyvyyden.

Työturvallisuus



VAROITUS: Lue seuraavat varoitusohjeet ennen laitteen käyttämistä.

- Käytä tätä tuotetta ainoastaan nurmikoiden leikkaamiseen. Tuotteita ei saa käyttää muihin käyttötarkoituksiin.
- Käytä henkilökohtaisia suojarusteita. Katso *Henkilökohtainen suojarustus sivulla 233*.
- Opettele pysäyttämään moottori nopeasti hätätilassa.
- Älä käytä laitetta sateella tai märissä olosuhteissa. Sähköiskun vaara kasvaa, jos laitteeseen pääsee vettä.
- Älä käytä tuotetta, ellei sen terää ja kaikkia suojuksia ole kiinnitetty asianmukaisesti. Virheellisesti kiinnitetty terä saattaa irrota ja aiheuttaa henkilövahinkoja.
- Varmista, ettei terä osu kiviin ja juuriin. Tämä voi vaurioittaa terää, ja moottorin akseli voi vääntyä. Vääntynyt akseli aiheuttaa voimakasta tärinää.

Tällöin on erittäin suuri riski, että terä irtoaa.

- Jos terä osuu esineeseen tai alkaa täristä, pysäytä tuote välittömästi. Sammuta moottori, käännä turva-avain asentoon 0 ja irrota akku (malli LC 141iV ja LC 141i) tai irrota virtajohto (malli LC 141C). Tarkista laite vaurioiden varalta. Korjaa vauriot tai teetä korjaustyöt valtuutetussa huoltoliikkeessä.
- Älä koskaan liitä moottorin jarrukahvaa pysyvästi kahvaan moottoria käynnistettäessä.
- Aseta laite kiinteälle, tasaiselle alustalle ja käynnistä se. Varmista, ettei terä pääse osumaan maahan tai mihinkään esineeseen.
- Ole aina tuotteen takana käyttäessäsi sitä.
- Pidä kaikki renkaat maassa ja molemmat kätesi työntöaisalla käyttäessäsi tuotetta. Pidä kätesi ja jalkasi poissa pyörivien terien läheisyydestä.
- Älä kallista laitetta moottorin käynnistyksen aikana.
- Ole varovainen vetäessäsi laitetta taaksepäin.
- Älä koskaan nosta laitetta moottorin käynnistyksen

aikana. Jos laitetta on nostettava, sammuta ensin moottori, käännä turva-avain asentoon 0 ja irrota akku (malli LC 141iV ja LC 141i) tai irrota virtajohto (malli LC 141C).

- Älä kävele taaksepäin käyttäessäsi laitetta.
- Sammuta moottori, kun siirrä laitteen ruohottoman alueen yli, esimerkiksi ylittäessäsi sora-, kivi- tai asfalttipolkuja.
- Älä juokse laitteen kanssa, kun moottoria käynnistetään. Kävele aina, kun käytät laitetta.
- Sammuta moottori ennen kuin muutat leikkuukorkeutta. Älä koskaan tee säätöjä moottorin käydessä.
- Älä koskaan jätä laitetta ilman valvontaa moottorin käydessä. Sammuta moottori ja varmista, ettei terävarustus pyöri.

Turvallisuusohjeet käyttöä varten

Henkilökohtainen suojarustus



VAROITUS: Lue seuraavat varoitusohjeet ennen laitteen käyttämistä.

- Henkilökohtaiset suojarusteet eivät poista

tapaturmien vaaraa, mutta ne lieventävät vammoja onnettomuustilanteessa. Anna jälleenmyyjän auttaa oikeiden varusteiden valinnassa.

- Käytä kestäviä luistamattomia saappaita tai kenkiä. Älä käytä avonaisia jalkineita tai kulje paljain jaloin.
- Käytä vahvakankaisia, pitkiä housuja.
- Käytä suojakäsineitä tarvittaessa, esimerkiksi terävarustuksen asennuksen, tarkastuksen ja puhdistuksen aikana.

Tuotteen turvalaitteet



VAROITUS: Lue seuraavat varoitusohjeet ennen laitteen käyttämistä.

- Älä käytä laitetta, jos jokin sen turvalaitteista on rikki.
- Tarkasta turvalaitteet säännöllisesti. Jos turvalaitteissa on vikoja, ota yhteyttä Husqvarna-huoltoliikkeeseen.

Leikkuusuojuksen tarkistaminen

Leikkuusuojus vähentää laitteen tärinää ja terän aiheuttamaa tapaturmavaaraa.

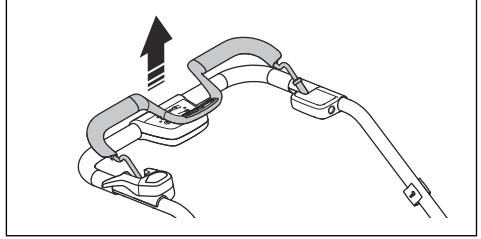
- Tarkista leikkuusuojus vaurioiden, kuten halkeamien, varalta.

Moottorin jarrukahva

Moottorin jarrukahva pysäyttää moottorin. Kun moottorin jarrukahva vapautetaan, moottori pysähtyy.

Tarkista moottorijarru käynnistämällä moottori ja vapauttamalla sitten moottorin jarrukahva. Jos moottori

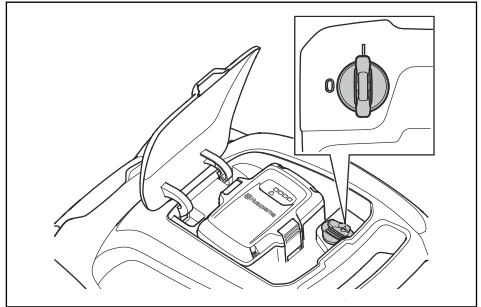
ei pysähdy 3 sekunnissa, anna valtuutetun Husqvarna-huoltoliikkeen säätää moottorijarru.



Turva-avain (mallit LC 141iV ja LC 141i)

Turva-avain on akun kannen alla. Turva-avain kytkee akun, joka tuottaa tehoa moottorille.

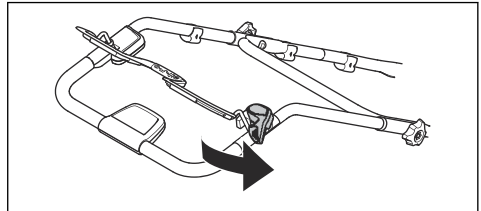
- Tarkista turva-avaimen toiminta käynnistämällä ja sammuttamalla moottori.
- Jos turva-avain toimii oikein, moottori käynnistyy vain, kun avain on käännetty asentoon 1.



Käynnistykseneston tarkistaminen

Tarkista käynnistyksenesto ja varmista, että se estää moottorin toiminnan.

1. Työnnä moottorin jarrukahvaa kahvaston suuntaan. Käynnistyksenesto pysäyttää liikkeen.
2. Työnnä käynnistyksenesto ulos.

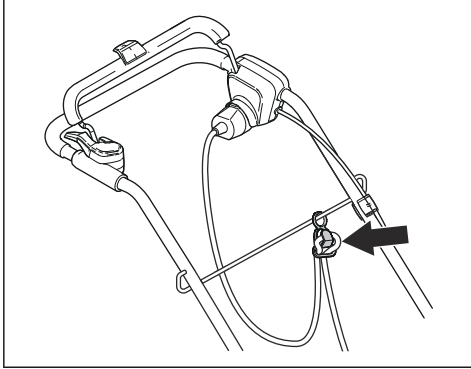


3. Vapauta käynnistyksenesto ja varmista, että se palaa alkuasentoonsa.

Virtajohdon pidikkeen käyttö (malli LC 141C)

Virtajohdon pidike vähentää pistorasiaan ja johtoon kohdistuvaa rasitusta. Virtajohdon pidike vähentää myös kaatumisriskiä.

1. Tee virtajohtoon pieni silmukka johtoa taivuttamalla.
2. Laita silmukka virtajohdon pidikkeen reikään.
3. Aseta silmukka koukkuun.
4. Kiristä silmukka koukun ympärille vetämällä.



Akkurivallisuus



VAROITUS: Lue seuraavat varoitusohjeet ennen laitteen käyttämistä.

- Käytä ladattavia Husqvarna-akkuja vain yhteensopivien Husqvarna-tuotteiden virtalähteenä. Tapaturmien välttämiseksi akkua ei saa käyttää muiden laitteiden virtalähteenä.
- Älä käytä akkuja, joita ei voi ladata.
- Sähköiskun vaara. Älä koske akun napoihin avaimella, kolikolla, ruuvilla tai muilla metalliesineillä. Tämä voi aiheuttaa akun oikosulun.
- Älä aseta esineitä akun ilmarakoihin.
- Pidä akku suojassa suoralta auringonvalolta, kuumuudelta ja avotulelta. Akku voi räjähtää ja aiheuttaa palo- ja/tai syöpymisvammoja.
- Suojaa akku sateelta ja kosteilta olosuhteilta.
- Älä altista akkua mikroaalloille ja korkealle paineelle.
- Älä yritä purkaa tai rikkoa akkua.
- Jos akku vuotaa, älä anna nesteen joutua kosketuksiin kehon tai silmien kanssa. Jos nestettä joutuu iholle, puhdista alue heti runsaalla vedellä ja hakeudu lääkäriin.
- Käytä akkua $-10...40\text{ }^{\circ}\text{C}$:n lämpötilassa.
- Älä pese akkua tai akkulaturia vedellä. Katso *Akun ja akkulaturin puhdistaminen sivulla 246*.
- Älä käytä viallista tai vaurioitunutta akkua.
- Säilytä akkuja varastossa kaukana metalliesineistä kuten nautoista, kolikoista ja koruista.

Akkulaturin turvallisuus



VAROITUS: Lue seuraavat varoitusohjeet ennen laitteen käyttämistä.

- Käytä QC-akkulatureita vain Husqvarna-vara-akkujen lataukseen.
- Sähköiskun tai oikosulun vaara. Älä aseta esineitä laturin ilmarakoihin. Älä yritä purkaa akkulaturia. Älä liitä laturin liittimiä metalliesineisiin. Käytä hyväksytyä pistorasiaa.
- Laite muodostaa käytön aikana sähkömagneettisen kentän. Kenttä saattaa joissakin olosuhteissa häiritä aktiivisten tai passiivisten lääketieteellisten implanttien toimintaa. Vakavien tai hengenvaarallisten tapaturmien ehkäisemiseksi kehotamme lääketieteellisiä implantteja käyttäviä henkilöitä neuvottelemaan lääkärin ja lääketieteellisen implantin valmistajan kanssa ennen laitteen käyttämistä.
- Tarkista säännöllisesti, että akkulaturin virtajohto ei ole vaurioitunut ja ettei siinä ole murtumia.
- Älä nosta akkulaturia virtajohdosta. Irrota akkulaturi pistorasiasta vetämällä pistoke ulos. Älä vedä virtajohdosta.
- Pidä virtajohto ja jatkojohdot poissa veden, öljyn ja terävien reunojen ulottuvilta. Pidä huolta, ettei kaapeli kiristy ovien, aitojen tai muiden vastaavien esineiden kohdalla. Se voi muuttaa laturin jännitteelliseksi.
- Älä pese akkulaturia vedellä.
- Yli 8-vuotiaat lapset ja henkilöt, joiden fyysinen, sensorinen tai henkinen toimintakyky on alentunut tai joilla ei ole riittävää kokemusta tai taitoja laitteen käyttöön, saavat käyttää akkulaturia, mikäli he ovat saaneet ohjausta tai ohjeita akkulaturin turvallisesta käytöstä ja ymmärtävät siihen liittyvät vaarat. Lapset eivät saa leikkiä akkulaturilla. Lapset eivät saa puhdistaa tai huoltaa laitetta ilman valvontaa.
- Älä lataa akkulaturilla akkuja, jotka eivät sovellu uudelleenlataukseen.
- Älä käytä akkulaturia herkästi syttyvien materiaalien tai syöpymistä aiheuttavien materiaalien lähellä. Älä peitä akkulaturia. Jos havaitset

savua tai tulta, irrota akkulaturin pistoke pistorasiasta.

- Älä käytä viallista tai vaurioitunutta akkulaturia.
- Lataa akku vain sisätiloissa poissa auringonvalosta ja tilassa, jossa on hyvä ilmanvaihto. Älä lataa akkua märissä olosuhteissa.

Virtajohtojen turvaohjeet

Malli LC 141C.

- On suositeltavaa käyttää vikavirtasuojakytkintä, jonka laukaisuvirta on enintään 30 mA. Asennettu vikavirtasuojakytkinkään ei takaa täydellistä turvallisuutta, ja turvaohjeita on aina noudatettava. Tarkasta vikavirtasuojakytkin jokaisella käyttökerralla.
- Irrota tuote sähköverkosta välittömästi, jos virtajohto on katkennut tai jos sen eristeessä on vaurioita.
- Älä kosketa katkennutta tai vaurioitunutta sähköjohtoa, ennen kuin tuote on irrotettu sähkönsyötöstä.
- Älä korjaa katkennutta tai vaurioitunutta virtajohtoa. Vaihda se uuteen.

Turvaohjeet huoltoa varten



VAROITUS: Lue seuraavat varoitushojeet ennen koneen käyttämistä.

- Malli LC 141iV, LC 141i: Jotta kone ei käynnisty vahingossa huollon aikana, käännä turvakytkin asentoon 0 ja irrota akku. Odota vähintään viisi sekuntia ennen huollon aloittamista.
- Malli LC 141C: Vältä koneen käynnistyminen vahingossa huollon aikana irrottamalla sähköjohto.
- Koneen oikeanlainen huoltaminen pidentää sen käyttöikää ja pienentää onnettomuusvaaraa. Anna huoltotyö valtuutetun huoltoliikkeen tehtäväksi. Kysy lisätietoja lähimmästä huoltoliikkeestä.
- Tee laitteelle ainoastaan käyttöohjekirjassa mainitut huoltotoimenpiteet. Laajemmat toimenpiteet on teetettävä valtuutetussa huoltoliikkeessä.
- Käytä työrukkasia, kun käsittelet terävarustusta. Terä on erittäin terävä ja aiheuttaa helposti haavoja.
- Pidä leikkausreunat terävinä ja puhtaina, jotta koneen suorituskyky ja turvallisuus

pysyvät mahdollisimman hyvänä.

- Anna huoltoliikkeen tarkastaa laite säännöllisesti ja tarvittaessa säätää ja korjata se.
- Vaihda vaurioituneet, kuluneet tai rikkoutuneet osat.
- Noudata lisävarusteiden vaihtoa koskevia ohjeita.

Käytä ainoastaan valmistajan lisävarusteita.

- Kun laitetta ei käytetä, säilytä se, akku ja akkulaturi erillään kuivassa ja lukitussa sisätilassa. Varmista, että lapset ja asiattomat henkilöt eivät pääse käsiksi laitteeseen, akkuun tai akkulaturiin.

Asentaminen

Johdanto



VAROITUS: Ennen kuin kokoat tuotteen, lue turvallisuutta koskeva luku.

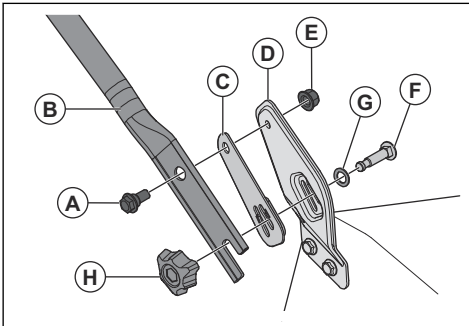


VAROITUS: Malli LC 141iV, LC 141i: Jotta kone ei käynnisty vahingossa asennuksen aikana, käännä turva-avain asentoon 0, irrota akku ja odota vähintään viisi sekuntia.

Malli LC 141C: Vältä koneen käynnistymisen vahingossa kokoamisen aikana irrottamalla sähköjohto.

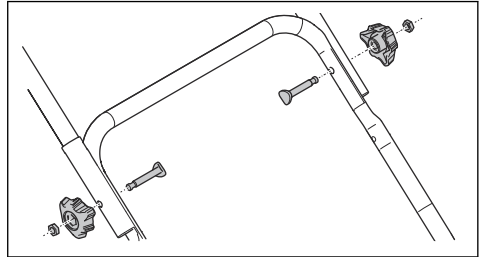
Kahvan asentaminen

1. Työnnä ruuvi (A) kahvan (B), muovisen aluslevyn (C) ja kahvan tukikiinnikkeen (D) läpi.

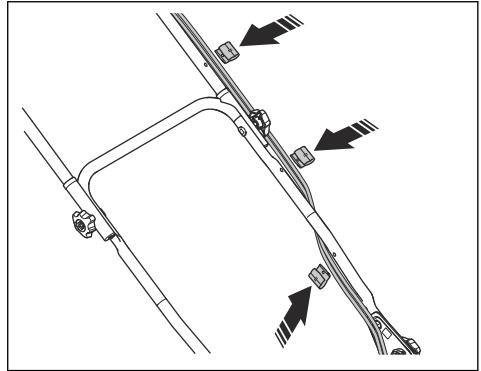


2. Kiristä mutteri (E) kokonaan.
3. Työnnä ruuvi (F) aluslevyn (G) ja kahvan tukikiinnikkeen läpi.
4. Kiristä nuppi (H) kokonaan.

5. Kohdista kahvaston reiät alemman työntöaisan reikiin kanssa ja kiinnitä ruuvit, aluslevyt ja nupit. Kiristä nupit huolellisesti.

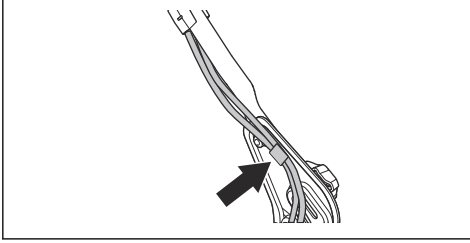


6. Kiinnitä kaapelit aisaan kaapelinpitimillä.



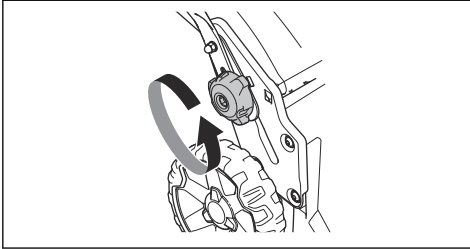
Huomautus: Varmista, ettei kaapeleita ole kiristetty liian tiukalle. Kiristäminen liian tiukalle voi vahingoittaa kaapelia, kun kahva käännetään kuljetusasentoon.

7. Aseta kaapelit aisan alaosassa olevan koukun ympärille.

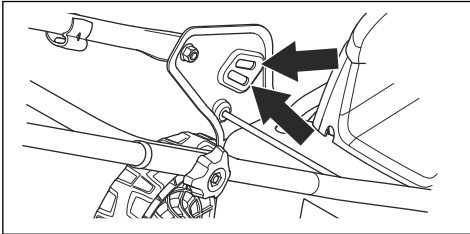


Kahvan korkeuden säätäminen

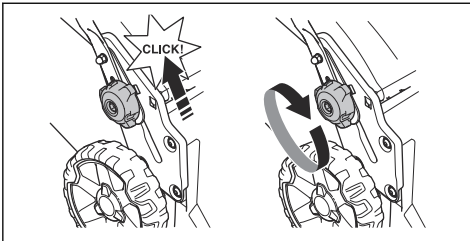
1. Irrota alemmat nupit.



2. Irrota nuppi, aluslevy ja ruuvi vasemmalta ja oikealta puolelta.
3. Työntöaisan voi asettaa kahdelle eri korkeudelle. Laita ruuvi toiseen kahdesta reiästä vasemmalla ja oikealla puolella.

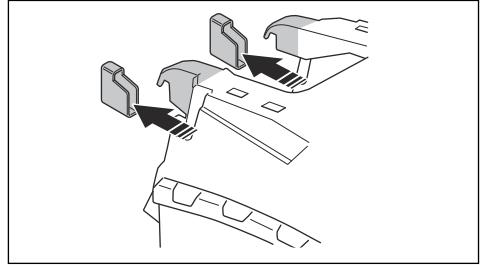


4. Kiinnitä kaikki ruuvit, aluslevyt ja nupit.
5. Liu'uta nuppeja ylöspäin kahvaa kohti, kunnes ne pysähtyvät ja kuulet naksahduksen. Kiristä nupit huolellisesti.

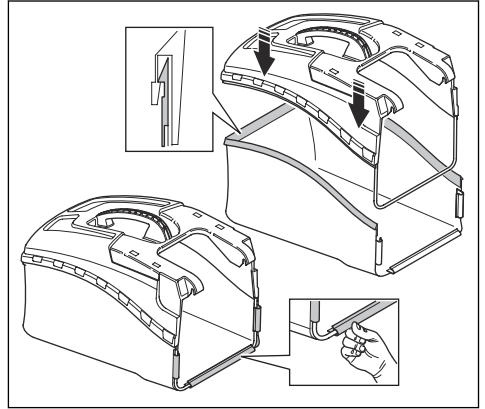


Ruohonkerääjän asentaminen

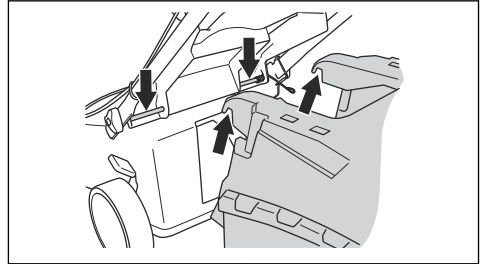
1. Työnnä molemmat kuljetussuojat ulos ja alas.



2. Aseta ruohonkerääjän yläosa ruohonkerääjän alaosaan. Kiinnitä ruohonkerääjän runko kiinnikkeillä.



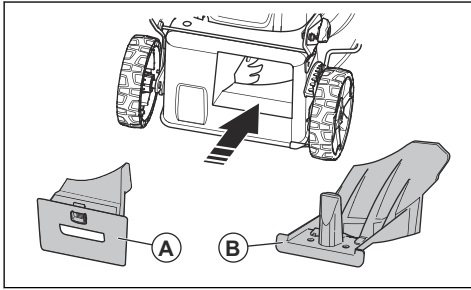
3. Nosta takasuojus ylös.
4. Kiinnitä ruohonkerääjän koukut rungon yläreunaan.



Silppurisarjan asentaminen

1. Nosta takasuojus ylös ja irrota ruohonkerääjä.

2. Aseta silppurin tulppa ulosheittokanavaan. A-tyypin silppurin tulppa on tarkoitettu malleille LC 141i ja LC 141C. Tyyppi B on tarkoitettu mallille LC 141iV.



3. Sulje takasuojus.
4. Vaihda terä yhdistelmäterään. Katso kohta *Terän irrottaminen ja vaihtaminen sivulla 246.*

Käyttö

Johdanto



VAROITUS: Lue turvallisuutta käsittelevä luku niin, että ymmärrät sen sisällön, ennen laitteen käyttämistä.

Husqvarna Connect

Husqvarna Connect on ilmainen mobiililaitesovellus. Husqvarna Connect -sovellus saat lisätoimintoja Husqvarna-koneeseen:

- Enemmän tuotetietoja.
- Tietoja koneen osista ja huolto-ohjeita.

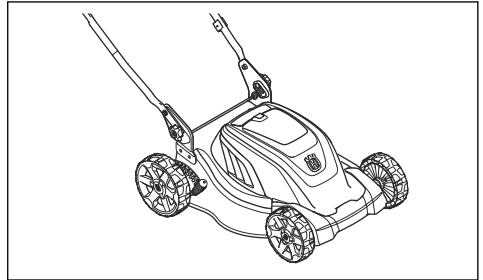
Husqvarna Connect -käytön aloittaminen

1. Lataa Husqvarna Connect -sovellus mobiililaitteeseesi.
2. Rekisteröi Husqvarna Connect -sovelluksessa.
3. Liitä ja rekisteröi kone Husqvarna Connect -sovelluksen ohjeiden mukaan.

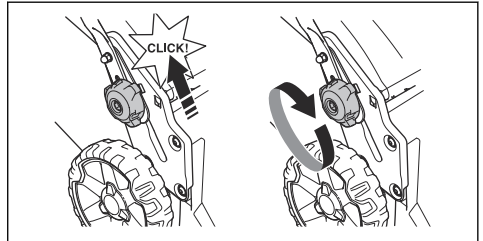
Tuotteen asettaminen käyttöasentoon

Jos kahva on kuljetus- ja säilytysasennossa (katso *Tuotteen asettaminen kuljetusasentoon sivulla 248*), käännä kahva käyttöasentoon seuraavassa kuvatulla tavalla.

1. Nosta kahvaa, kunnes alempi kahva lukittuu käyttöasentoon.

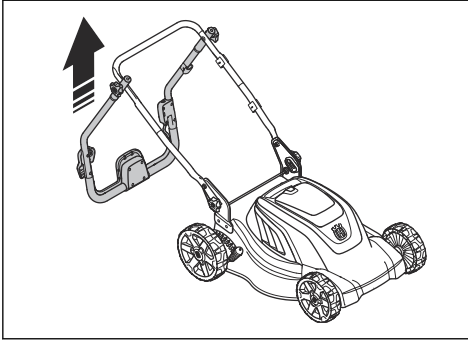


2. Liu'uta alempia nuppeja ylöspäin kahvaa kohti, kunnes ne pysähtyvät ja kuulet naksahduksen.



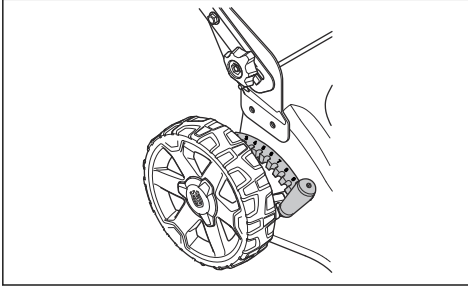
3. Kiristä vääntimet.

4. Nosta ylempää kahvaa ja kiristä nupit.



Leikkuukorkeuden asettaminen

1. Lisää leikkuukorkeutta siirtämällä leikkuukorkeuden säätövipua taaksepäin.
2. Vähennä leikkuukorkeutta siirtämällä leikkuukorkeuden säätövipua eteenpäin.



HUOMAUTUS: Älä aseta leikkuukorkeutta liian alhaiseksi. Jos ruohikon pinta ei ole tasainen, terät voivat osua maahan.

Akku

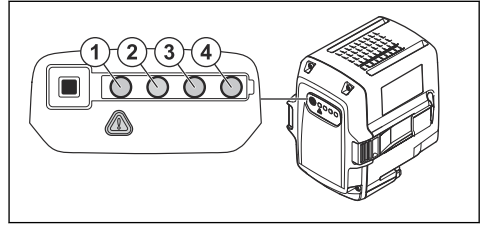


VAROITUS: Ennen kuin käytät akkua, lue turvallisuutta käsittelevä luku niin, että ymmärrät sen sisällön. Lue myös akun ja akkulaturin käyttöohje niin, että ymmärrät sen sisällön.

Akun tila

Näyttö osoittaa akun varaustason ja mahdolliset akkuun liittyvät ongelmat. Akun varaustaso näytetään viiden sekunnin ajan tuotteen sammuttamisen tai akun varaustilan ilmaisin -painikkeen painamisen jälkeen.

Virheen tapahtuessa akun varoitusymboli syttyy. Katso *Akku sivulla 247*.



LED-merkkivalot	Akun tila
Kaikki LED-merkkivalot palavat.	Täysin ladattu (75–100 %)
LED 1, LED 2 ja LED 3 palavat	Akun varaustaso on 50–75 %.
LED 1 ja LED 2 palavat	Akun varaustaso on 25–50 %.
LED 1 palaa	Akun varaustaso on 0–25 %.
LED 1 vilkkuu.	Akku on tyhjä. Lataa akku.

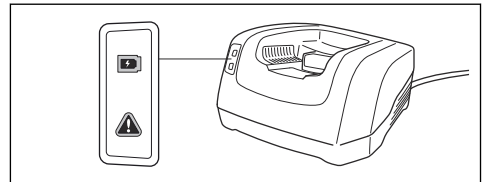
Akun lataaminen

Lataa akku ennen ensimmäistä käyttökertaa. Akun varaus on toimitettaessa vain 30 %.

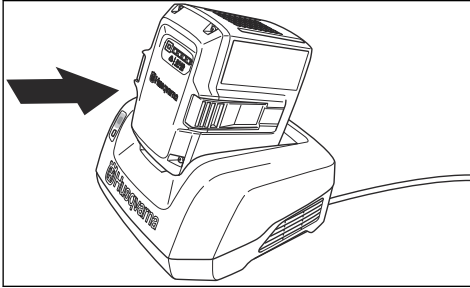
Huomautus: Akkulaturi on kytkettävä tyyppikilven mukaiseen jännitteeseen ja taajuuteen.

Akku ei lataudu, jos akun lämpötila on yli 50 °C. Akkulaturi viilentää akkua ennen kuin se alkaa latautua.

1. Kytke akkulaturin virtajohdon toinen pää akkulaturin liitäntään.
2. Kytke sitten akkulaturin virtajohdon toinen pää maadoitettuun pistorasiaan. Akkulaturin vihreä merkkivalo vilkkuu kerran.



3. Aseta akku akkulaturiin. Laturin vihreä valo syttyy, kun akku on kytketty oikein akkulaturiin.



4. Kun akun kaikki LED-merkkivalot syttyvät, akku on ladattu täyteen. Lataa akkua enintään 24 tuntia.
5. Kun irrotat akkulaturin pistorasiasta, älä vedä johdosta, vaan pistokkeesta.
6. Irrota akku akkulaturista.

Akun varaustila

Husqvarna-litiumioniakkua voi ladata tai käyttää sen varaustasosta riippumatta. Akku ei ole vaurioitunut. Täyteen ladattu akku ei menetä varaustaan, kun se jätetään laturiin.

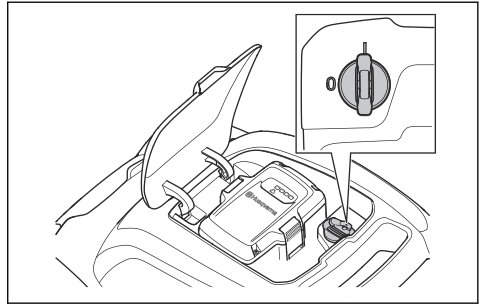
LED-näyttö	Varaustila
LED 1 vilkkuu.	0–25 %
LED 1 palaa, LED 2 vilkkuu	25–50 %
LED 1 ja LED 2 palavat ja LED 3 vilkkuu.	50–75 %
LED 1, LED 2 ja LED 3 palavat, LED 4 vilkkuu.	75–100 %
LED 1, LED 2, LED 3, LED 4 palavat	Täyteen ladattu

Mallien LC 141iV ja LC 141i käyttö

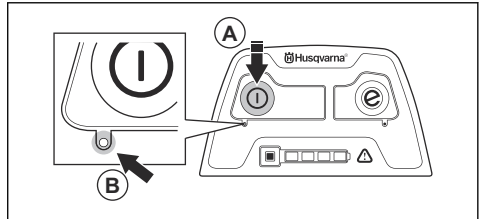
Laitteen käynnistäminen

1. Aseta ladattu akku akkulokeroon.

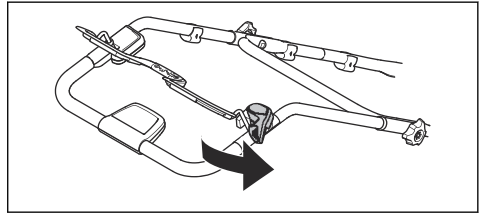
2. Käännä turva-avain asentoon 1.



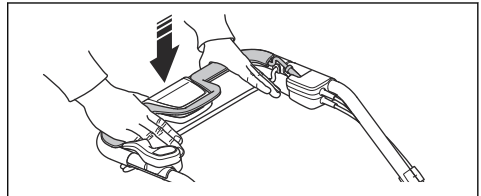
3. Seiso laitteen takana.
4. Paina ON/OFF-virtapainiketta (A) ohjauspaneelissa, jolloin vihreä merkkivalo (B) syttyy.



5. Avaa käynnistyksenesto.

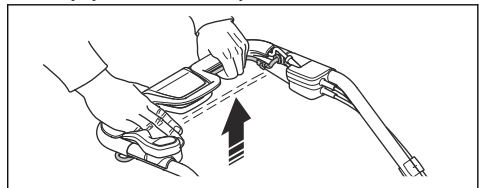


6. Työnnä moottorin jarrukahvaa kahvaston suuntaan.

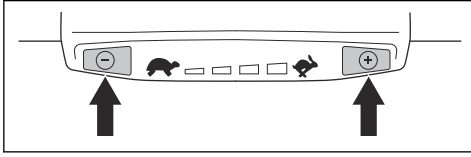


Vetojärjestelmän käyttäminen pyörillä

- Malli LC 141iV. Käynnistä veto vetämällä vetojärjestelmän sanka työntöaisan suuntaan.



- Voit säätää ajonopeutta neljän eri nopeuden välillä painamalla + tai - painikkeita ohjauspaneelissa.

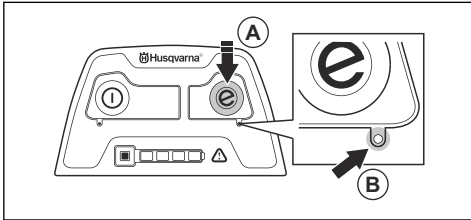


- Kytke vetojärjestelmä pois käytöstä vapauttamalla vetojärjestelmän sanka esimerkiksi lähestyessäsi estettä.

SavE-toiminnon käyttäminen

Laitteessa on akkua säästävää toiminto (SavE), joka pidentää käyttöaikaa.

1. Käynnistä toiminto painamalla SavE-painiketta (A). Vihreä merkkivalo syttyy.



2. Sammuta toiminto painamalla uudestaan SavE-painiketta (A). Vihreä merkkivalo (B) sammuu.

SavE-toiminto sammuu automaattisesti, jos nurmikon olosuhteet vaativat suurempaa tehoa. SavE-toiminto käynnistyy automaattisesti, kun nurmikon olosuhteet sallivat sen.

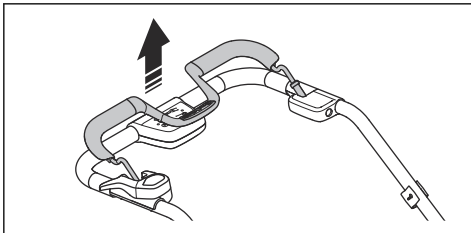
Suuri kuormitus -toiminto

Kun laitteella leikataan korkeaa tai märkää ruohoa, moottori lisää automaattisesti kierrosnopeutta. Moottori siirtyy takaisin normaaliin tilaan, kun suuri kuormitus ei ole tarpeen.

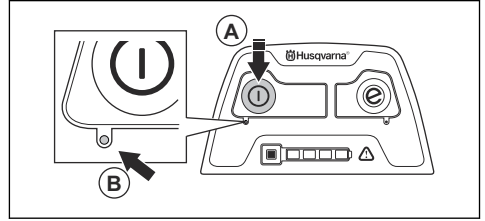
Laitteen pysäyttäminen

Laitte sammuu automaattisesti, jos sitä ei käytetä 10 minuuttiin. Käännä turva-avain asentoon 0, ennen kuin jätät laitteen ilman valvontaa.

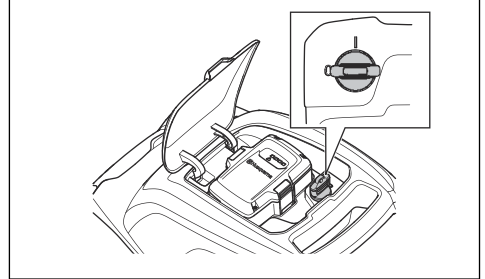
1. Pysäytä moottori vapauttamalla moottorin jarrukahva.



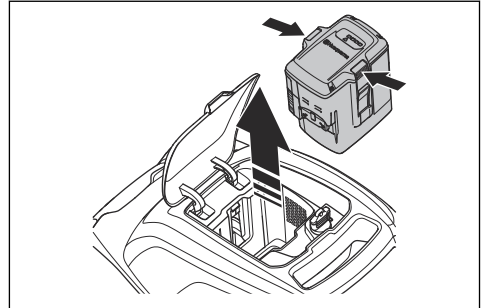
2. Paina virtapainiketta (A) ohjauspaneelissa, jolloin vihreä merkkivalo (B) sammuu.



3. Avaa akun kansi ja käännä turva-avain asentoon 0.



4. Irrota akku painamalla kahta vapautuspainiketta ja vedä akku ulos.



5. Lataa akku, jos sen lataustaso on alhainen. Katso lisätietoja kohdasta *Akun lataaminen sivulla 241*.

Mallin LC 141C käyttö

Hyväksytyin johdon valitseminen (LC 141C)

Huomautus: Ison-Britannian markkina-alueella saa käyttää ainoastaan tuotteen mukana toimitettavaa 16M-jatkojohtoa. Kaikilla muilla markkina-alueilla käytetään alla olevien ohjeiden mukaisia johtoja.

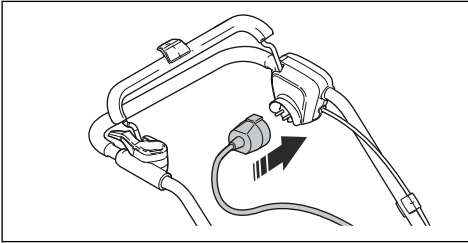
Jos käytät jatkojohtoja, niiden on oltava läpimitaltaan alla olevassa taulukossa esitetyn mukaisia:

Jännite	Johdon pituus	Poikkipinta-ala
220–240 V / 50 Hz	Korkeintaan 20 m	1,5 mm ²
220–240 V / 50 Hz	20–50 m	2,5 mm ²

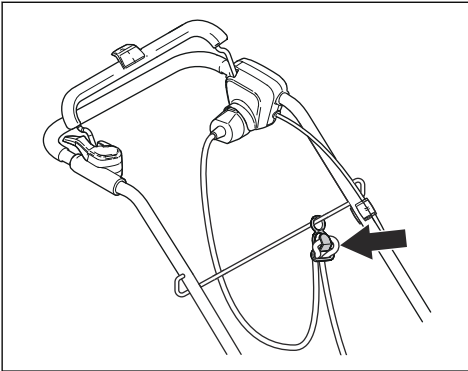
- Virtajohtoja ja jatkojohtoja on saatavissa paikallisesta ulkoilmatuotteita myyvästä, valtuutetusta Husqvarna-huoltoliikkeestä.
- Käytä ainoastaan nimenomaan ulkokäyttöön suunniteltuja jatkojohtoja, jotka täyttävät jonkin seuraavista määräyksistä: Tavallinen kumi (60245 IEC 53), tavallinen PVC (60227 IEC 53) tai tavallinen PCP (60245 IEC 57)
- Jos johto on vaurioitunut, sen vaihtaminen on turvallisuussyistä annettava valmistajan, huoltoliikkeen tai vastaavan ammattilaisen tehtäväksi.

Laitteen käynnistäminen

1. Kytke virtajohto kahvan alapuolella olevaan pistorasiaan.

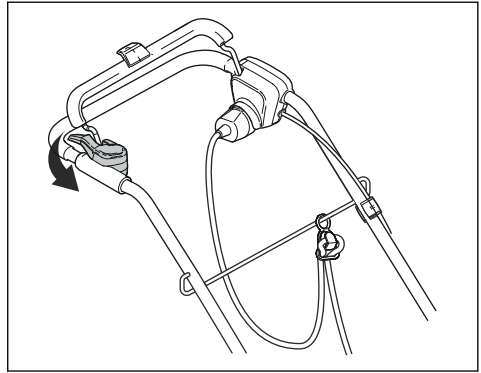


2. Aseta virtajohto virtajohdon pidikkeeseen. Katso *Virtajohdon pidikkeen käyttö (malli LC 141C)* sivulla 235.

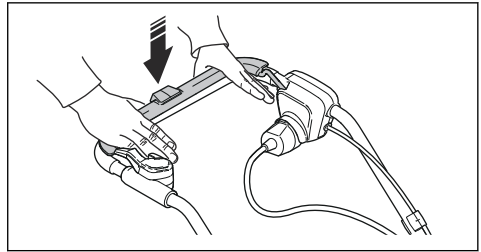


3. Seiso laitteen takana.

4. Avaa käynnistyskesesto.

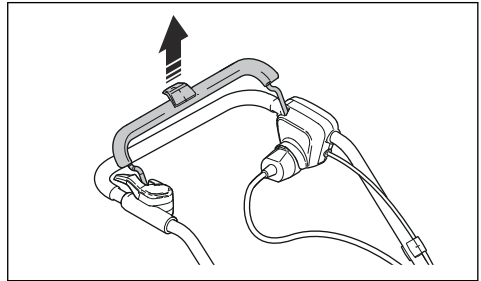


5. Työnnä moottorin jarrukahvaa kahvaston suuntaan.

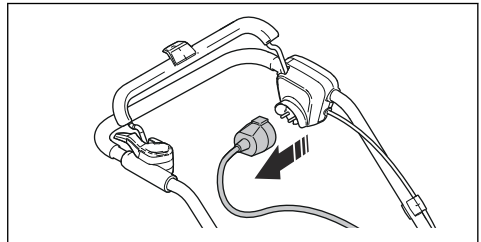


Koneen pysäyttäminen

1. Pysäytä moottori vapauttamalla moottorin jarrukahva.



2. Irrota virtajohto pistorasiasta ja sitten tuotteesta.





HUOMAUTUS: Vedä pistoke ulos suoraan. Älä vedä virtajohdosta.

Hyvän tuloksen saavuttaminen

- Käytä aina hyvin teroitettua terää. Tylsä terä leikkaa epätasaisesti ja ruohosta tulee keltaista leikatun pinnan kohdalta. Hyvin teroitettu terä käyttää myös tylsää terää vähemmän energiaa.

- Älä leikkaa enempää kuin 1/3 ruohon pituudesta. Aseta leikkuukorkeus ensimmäisellä leikkuukerralla korkeaksi. Tutkittuasi leikkuutuloksen voit laskea leikkuukorkeuden haluamallesi tasolle. Jos ruoho on erittäin pitkää, kulje hitaasti ja leikkaa nurmikko tarvittaessa kaksi kertaa.
- Leikkaa joka kerta eri suuntiin, jotta nurmiksoon ei tule raitoja.

Huolto

Johdanto



VAROITUS: Ennen minkäänlaisten huoltotöiden aloittamista sinun on luettava turvallisuutta käsittelevä luku niin, että ymmärrät sen sisällön.

Kaikkiin tuotteelle tehtäviin huolto- ja korjaustöihin tarvitaan erityiskoulutus. Takaamme, että tuotteemme huolletaan ja korjataan ammattimaisesti. Jos

jälleenmyyjäsi ei ole huoltoliike, pyydä jälleenmyyjää neuvoamaan lähin huoltoliike.

Huoltokaavio

Huoltovälit on laskettu laitteen päivittäisen käytön perusteella. Välit voivat muuttua, jos laitetta ei käytetä päivittäin.

Lisätietoja *-merkillä merkityistä huolloista on kohdassa *Tuotteen turvallaisuudet sivulla 234.*

LC 141IV, LC 141i ja LC 141C	Jokaisella käyttökerralla	Kuukausittain	Kerran käyttökäudessa
Tee yleistarkastus.	X		
Puhdista tuote.	X		
Tarkista käynnistyksenesto *.	X		
Varmista, että tuotteen turvalaitteissa ei ole vikoja *.	X		
Tarkista terävarustus.	X		
Tarkista leikkuusuojus *.	X		
Tarkista moottorin jarrukahva *.	X		

Vain LC 141IV ja LC 141i	Jokaisella käyttökerralla	Kuukausittain	Kerran käyttökäudessa
Tarkista, että virtapainike toimii oikein eikä se ole viallinen.	X		
Tarkista akku vaurioiden varalta.	X		
Tarkista akun varaustila.	X		
Tarkista, että akun vapautuspainikkeet toimivat oikein ja että akku lukittuu laitteeseen.	X		
Tarkista akkulaturi vaurioiden varalta ja varmista, että se toimii oikein		X	
Tarkista akun ja laitteen väliset kytkennät. Tarkista myös akun ja akkulaturin välinen kytkentä.			X

Yleistarkastus

- Varmista, että tuotteen kaikki ruuvit ja mutterit on kiristetty.
- Varmista, että laitteen kaapelit on asennettu siten, että ne eivät vahingoitu.

Laitteen puhdistaminen

- Puhdista muoviosat puhtaalla ja kuivalla liinalla.
- Älä käytä vettä, kun puhdistat laitetta. Vesi voi päästä akkuun tai moottoriin ja vaurioittaa laitetta tai aiheuttaa oikosulun.
- Älä käytä laitteen puhdistamiseen painepesuria.
- Älä suihkuta vettä suoraan moottorin päälle.
- Poista lehdet, ruoho ja lika harjalla.

Akun ja akkulaturin puhdistaminen



HUOMAUTUS: Älä pese akkua tai akkulaturia vedellä.

- Varmista, että akku ja akkulaturi ovat puhtaita ja kuivia ennen kuin laitat akun akkulaturiin.
- Puhdista akun liittimet paineilmalla tai pehmeällä, kuivalla liinalla.
- Puhdista akun ja akkulaturin pinnat pehmeällä, kuivalla liinalla.

Terävarustuksen tarkistaminen



VAROITUS: Mallit LC 141iV ja LC 141i: Jotta kone ei käynnisty vahingossa, käännä turva-avain asentoon 0, irrota akku ja odota vähintään viisi sekuntia.

Malli LC 141C: Vältä koneen käynnistymisen vahingossa irrottamalla sähköjohto.



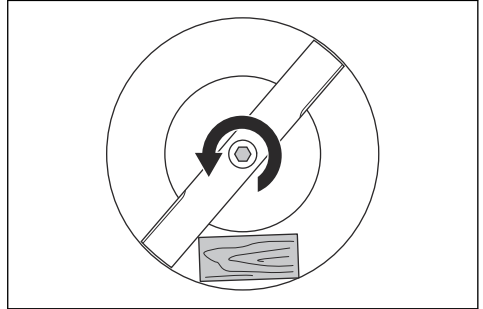
VAROITUS: Käytä suojakäsineitä huoltaessasi terävarustusta. Terä on erittäin terävä ja aiheuttaa helposti haavoja.

1. Tutki terävarustus vaurioiden tai halkeamien varalta. Vaurioitunut terävarustus on aina vaihdettava.
2. Tarkista, onko terä vaurioitunut tai tylsä.

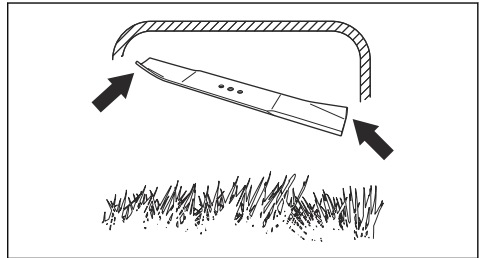
Huomautus: Terä on tasapainotettava oikein teroituksen jälkeen. Anna huoltoliikkeen teroittaa, vaihtaa ja tasapainottaa terä. Jos osut esteeseen niin, että tuote pysähtyy, vaihda vaurioitunut terä. Anna huoltoliikkeen arvioida, voiko terän teroittaa vai onko se vaihdettava.

Terän irrottaminen ja vaihtaminen

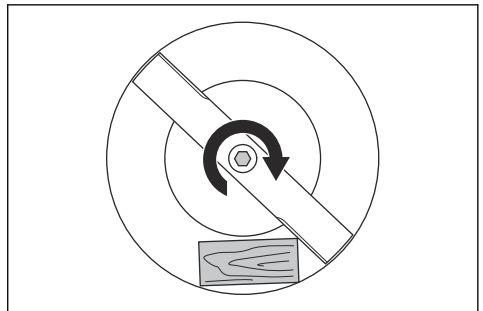
1. Lukitse terä puukiilalla.



2. Irrota teräpultti.
3. Irrota terä.
4. Tutki terän tuki ja teräpultti vaurioiden varalta.
5. Tutki moottorin akseli ja varmista, ettei se ole vääntynyt.
6. Asenna uusi terä siten, että terän kulmikkaat päät osoittavat leikkusuujojen suuntaan.



7. Varmista, että terä on kohdistettu moottorin akselin keskiosan kanssa.
8. Lukitse terä puukiilalla. Kiinnitä jousialuslevy paikalleen ja kiristä pultti ja aluslevy momenttiin 20 Nm.



9. Pyöritä terää käsin ja varmista, että se pyörii vapaasti.



VAROITUS: Käytä työrukkasia.
Terä on erittäin terävä ja aiheuttaa helposti haavoja.

10. Testaa terää käynnistämällä laite. Jos terä ei ole kiinnitetty asianmukaisesti, laite tärisee tai sen leikkuutullos ei ole tyydyttävä.

Vianmääritys

Akku

Akun merkkivalo	Syy	Ratkaisu
Vihreä merkkivalo vilkkuu	Akun jännite on alhainen.	Lataa akku. Katso <i>Akun lataaminen sivulla 241.</i>
Vian merkkivalo vilkkuu.	Akun varaus on heikko.	Lataa akku. Katso <i>Akun lataaminen sivulla 241.</i>
	Työympäristön lämpötila on liian korkea tai liian matala.	Käytä akkua -10...40 °C:n lämpötilassa.
	Ylijännite.	Varmista, että verkkojännite vastaa laitteeseen kiinnitetyssä arvokilvessä ilmoitettua jännitettä. Irrota akku akkulaturista. Odota viisi sekuntia ja yritä ladata akkua uudelleen. Jos ongelma jatkuu, ota yhteys hyväksytyyn huoltoliikkeeseen.
Vian merkkivalo palaa.	Akkukennoston väli liian suuri (1 V).	Ota yhteys valtuutettuun huoltoliikkeeseen.

Akkulaturi

Akkulaturin merkkivalo	Syy	Ratkaisu
Vian merkkivalo vilkkuu.	Työympäristön lämpötila on liian korkea tai liian matala.	Käytä akkulaturia 5...40 °C:n lämpötilassa.
Vian merkkivalo palaa.		Ota yhteys valtuutettuun huoltoliikkeeseen.

Ohjauspaneeli

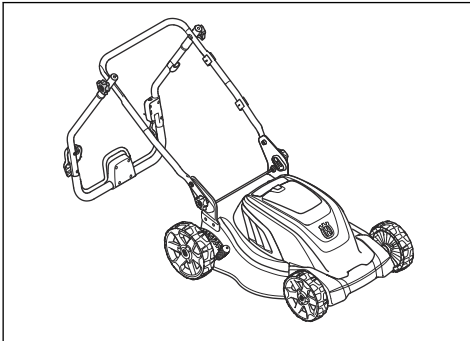
Muissa kuin tässä osiossa luetelluissa ongelmatilanteissa ota yhteys huoltoliikkeeseen.

Näppäimistö	Mahdolliset viat	Mahdolliset toimenpiteet
Vian merkkivalo vilkkuu	Moottori on ylikuormittunut	Nosta leikkuukorkeutta. Katso <i>Leikkuukorkeuden asettaminen sivulla 241</i> .
	Moottorin nopeus laskee liikaa.	
	Moottorin ohjaus on liian kuuma	Sammuta moottori ja odota, että se jäähtyy
	Terä on jumissa	Jotta kone ei käynnisty vahingossa, käännä turva-avain asentoon 0, irrota akku ja odota vähintään viisi sekuntia. Varmista, että terä pyörii vapaasti. Jos ongelma jatkuu, ota yhteys valtuutettuun huoltoliikkeeseen.
	Akkuvika tai akusta ei saada signaalia.	Aseta akku laitteeseen oikein ja tarkista akkuliitin. Jos akun vian merkkivalo vilkkuu, katso <i>Akku sivulla 247</i> .
Laite pysähtyy	Akun varaus on heikko	Lataa akku. Katso <i>Akun lataaminen sivulla 241</i> .
	Akkuliitinvika	Tarkasta akkuliitin.

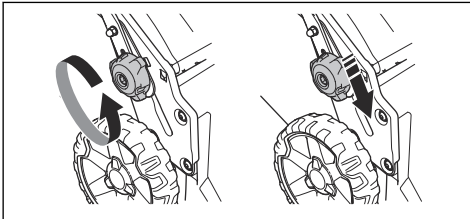
Kuljettaminen, säilyttäminen ja hävittäminen

Tuotteen asettaminen kuljetusasentoon

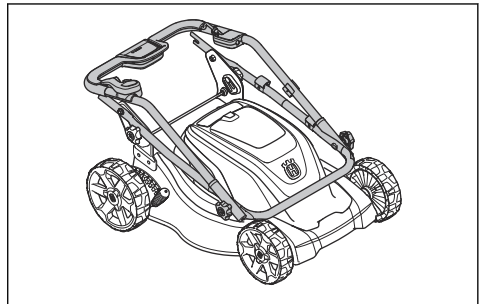
1. Irrota ruohonkerääjä (jos asennettu).
2. Avaa ylemmän kahvan nupit ja taita kahva alas.



3. Irrota alemmat nupit.
4. Liu'uta nupit urien alaosaan tuotteen molemmin puolin.



5. Taita kahva eteen.



Kuljettaminen

- Vaarallisten aineiden lainsäädännön määräykset koskevat tuotteessa olevia litiumioniakkuja.
- Tavarakuljetuksessa on noudatettava pakkausta ja merkintöjä koskevia erityismääräyksiä.
- Muista noudattaa vaarallisia aineita koskevia määräyksiä, kun valmistelet laitetta kuljetukseen. Myös mahdollisia paikallisia määräyksiä on noudatettava.
- Irrota akku aina kuljetuksen ajaksi.
- Teippaa akkuliittimet ja varmista, että akku ei pääse liikkumaan kuljetuksen aikana.
- Kiinnitä laite kuljetuksen ajaksi.

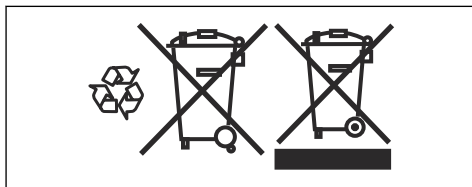
Säilytys

- Irrota akku aina säilytyksen ajaksi.
- Onnettomuuksien välttämiseksi varmista, ettei akku ole kytkettyä laitteeseen säilytyksen aikana.

- Säilytä akkulatoria ainoastaan suljetussa ja kuivassa paikassa.
- Säilytä akkua ja akkulatoria kuivassa paikassa, jossa lämpötila ei laske pakkasen puolelle.
- Irrota akku akkulatorista varastoinnin ajaksi.
- Älä säilytä akkua paikassa, jossa on staattista sähköä. Älä säilytä akkua metallilaatikossa.
- Säilytä akkua 5–25 °C:n lämpötilassa ja poissa suorasta auringonvalosta.
- Säilytä akkulatoria 5–45 °C:n lämpötilassa ja poissa suorasta auringonvalosta.
- Varmista, että akun varaustaso on 30–50 % ennen pitkäaikaista säilytystä.
- Säilytä laitetta, akkua ja akkulatoria lukitussa tilassa lasten ja asiaankuulumattomien henkilöiden ulottumattomissa.
- Puhdista laite ja tee täysi huolto ennen pitkäaikaista säilytystä.

mukana. Se on toimitettava asianmukaiseen sähkö- ja elektroniikkalaitteiden keräyspisteeseen.

Varmistamalla laitteen asianmukaisen hävittämisen autat vähentämään mahdollisia negatiivia ympäristövaikutuksia, joita tämän laitteen virheellisestä hävittämisestä koituisi. Lisätietoja tämän laitteen kierrätyksestä saat ottamalla yhteyden kotikuntasi viranomaisiin, jätehuoltoon tai laitteen myyneeseen liikkeeseen.



Hävittäminen

Laitteessa tai sen pakkauksessa olevat symbolit osoittavat, ettei laitetta saa hävittää kotitalousjätteen

Tekniset tiedot

Tekniset tiedot LC 141iV, LC 141i

	LC 141iV	LC 141i
Leikkuumoottori		
Moottorityyppi	BLDC (harjaton) 36 V	BLDC (harjaton) 36 V
Moottorin nopeus – SavE, r/min	2 700	2 700
Moottorin nopeus – nimellinen, r/min	3100	3100
Moottorin nopeus – suuri kuormitus, r/min	3 700	3 700
Moottorin teho – enintään, kW	0,8	0,8
Moottorin teho – nimellinen, kW	0,55	0,55
Ajomoottori		
Moottorin teho – nimellinen, kW	0,25	–
Liikkumisnopeus, km/h	3,0-4,5	–
Nopeuden säätötasot	4	–
Paino		
Paino ilman akkua, kg	21,5	18,6
Akku ⁵⁷		
Akkutyypit	Husqvarna-akkusarja	Husqvarna-akkusarja
Akun käyttöaika		

⁵⁷ Parhaan tuloksen ja suorituskyvyn saamiseksi suositellaan Husqvarna BLi200 -akkua.

	LC 141IV	LC 141i
Akun käyttöaika, min. (vapaa käyttö) SavE-toiminto käytössä, yksi 5,2 Ah:n Husqvarna-akku (BLi200).	77	77
Akun käyttöaika minuutteina (joutokäynti), normaali tila käytössä, yksi 5,2 Ah:n Husqvarna-akku (BLi200).	45	45
Melupäästöt ⁵⁸		
Äänen tehotaso, mitattu dB(A)	88	88
Äänen tehotaso, taattu L _{WA} dB(A)	89	89
Melutasot ⁵⁹		
Äänenpainetaso käyttäjän korvan tasalla, dB(A)	83	83
Tärinätasot ⁶⁰		
Kahva, m/s ²	2,0	2,0
Leikkaus		
Leikkuukorkeus, mm	25-70	25-70
Leikkuuleveys, cm	41	41
Terä, tuotenumero	Keruulaite – 5011716-01	Keruulaite – 5011716-01
Kerääjän tilavuus, litraa	50	50

Hyväksytyt akut	Tuotemerkki	Tyyppi	Akun kapasiteetti, Ah	Jännite, V	Paino, kg
BLi10	Husqvarna	Litiumioni	2,0	36	0,8
BLi100	Husqvarna	Litiumioni	2,6	36	0,8
BLi20	Husqvarna	Litiumioni	4,0	36	1,2
BLi200	Husqvarna	Litiumioni	5,2	36	1,3
BLi300	Husqvarna	Litiumioni	9,4	36	4,1

Hyväksytyt laturit tietyille akuille,	Tuotemerkki	Tulojännite, V	Taajuus, Hz	Teho, W
QC80	Husqvarna	100-240	50–60	80
QC80F	Husqvarna	12	0	80
QC250	Husqvarna	220–240	50	250
QC330	Husqvarna	100-240	50–60	330

⁵⁸ Melupäästö ympäristöön äänitehona (L_{WA}) EY-direktiivin 2000/14/EY mukaisesti mitattuna.

⁵⁹ Äänenpainetasoista ilmoitettujen tietojen tyypillinen tilastollinen hajonta (keskihajonta) on 1,2 dB(A).

⁶⁰ Tärinätasolle ilmoitetuissa tiedoissa tyypillinen tilastollinen hajonta (vakiopoikkeama) on 0,2 m/s².

Hyväksytyt laturit tietyille akuille,	Tuotemerkki	Tulojännite, V	Taajuus, Hz	Teho, W
QC500	Husqvarna	100-240	50-60	500

Tekniset tiedot LC 141C

LC 141C	
Moottori	
Moottorityyppi	Sarjan AC moottori
Moottorin nopeus – nimellinen, r/min	3200
Teho	1800 W
Virtalähde	Johdollinen sähkökäyttöinen
Virtajohto (toimitetaan tuotteen mukana vain Ison-Britannian markkina-alueella)	
Johdon tyyppi	16M-jatkojohto
Paino, kg	1,6
Paino	
Paino, kg	20,4
Melupäästöt ⁶¹	
Äänen tehotaso, mitattu dB(A)	93
Äänen tehotaso, taattu L _{WA} dB(A)	95
Äänitasot ⁶²	
Äänenpainetaso käyttäjän korvan tasalla, dB(A)	85
Tärinätasot ⁶³	
Kahva, m/s ²	2,0
Leikkaus	
Leikkuukorkeus, mm	25-70
Leikkuuleveys, cm	41
Terä, tuotenumero	Keruu 5011716-01
Kerääjän tilavuus, litraa	50

⁶¹ Melupäästö ympäristöön äänentehona (L_{WA}) EY-direktiivin 2000/14/EY mukaisesti mitattuna.

⁶² Äänenpainetasoista ilmoitettujen tietojen tyypillinen tilastollinen hajonta (keskihajonta) on 1,4 dB(A).

⁶³ Tärinätasolle ilmoitetuissa tiedoissa tyypillinen tilastollinen hajonta (vakiopoikkeama) on 0,2 m/s².

EY-vaatimustenmukaisuusvakuutus

Husqvarna AB, SE-561 82 Huskvarna, Ruotsi, puh.:
+46-36-146500, vakuuttaa, että **ruohonleikkurit**
Husqvarna LC 141iV ja LC 141i alkaen sarjanumerosta
2018XXXXXXX ja **Husqvarna LC 141C** alkaen
sarjanumerosta 2015XXXXXXX ovat seuraavien
NEUVOSTON DIREKTIIVIEN mukaisia:

- 8. kesäkuuta 2011 annettu direktiivi **2011/65/EU**
tietyjen vaarallisten aineiden käytön rajoittamisesta
- 17. toukokuuta 2006 annettu konedirektiivi
2006/42/EY
- 26. helmikuuta 2014 annettu direktiivi **2014/30/EU**
sähkömagneettisesta yhteensopivuudesta
- 8. toukokuuta 2000 annettu laitemeludirektiivi
2000/14/EY.

Melupäästöjä koskevat tiedot löytyvät luvusta Tekniset
tiedot.

Seuraavia standardeja on sovellettu mallien Husqvarna
LC 141iV ja LC 141i sertifiointissa: **IEC**
60335-2-77:2002, IEC 60335-1:2010+A1:2013, EN
55014-1:2017, EN 55014-2:2015, EN 61000-3-2:2014,
EN 61000-3-3:2013, EN 62233:2008

Seuraavia standardeja on sovellettu mallien Husqvarna
LC 141C sertifiointissa: **EN 60335-1:2012+A11:2014,**
EN 60335-2-77:2010, EN 62233:2008, EN
55014-1:2017+A11, EN 55014-2:2015, EN
61000-3-2:2019, EN 61000-3-11:2019

Ilmoitettu tarkastuslaitos: **0404, RISE SMP Svensk**
Maskinprovning AB, Box 7035, SE-750 07 Uppsala on
arvioinut vaatimustenmukaisuuden direktiivin
2000/14/EY liitteen VI mukaisesti.

Huskvarna, 2020-10-13



Claes Losdal, kehityspäällikkö/puutarhatuotteet
(Husqvarna AB:n valtuutettu ja teknisestä
dokumentaatiosta vastaava edustaja)

Sommaire

Introduction.....	253	Dépannage.....	275
Sécurité.....	257	Transport, entreposage et mise au rebut.....	276
Montage.....	266	Caractéristiques techniques.....	277
Utilisation.....	268	Déclaration de conformité CE.....	281
Entretien.....	273		

Introduction

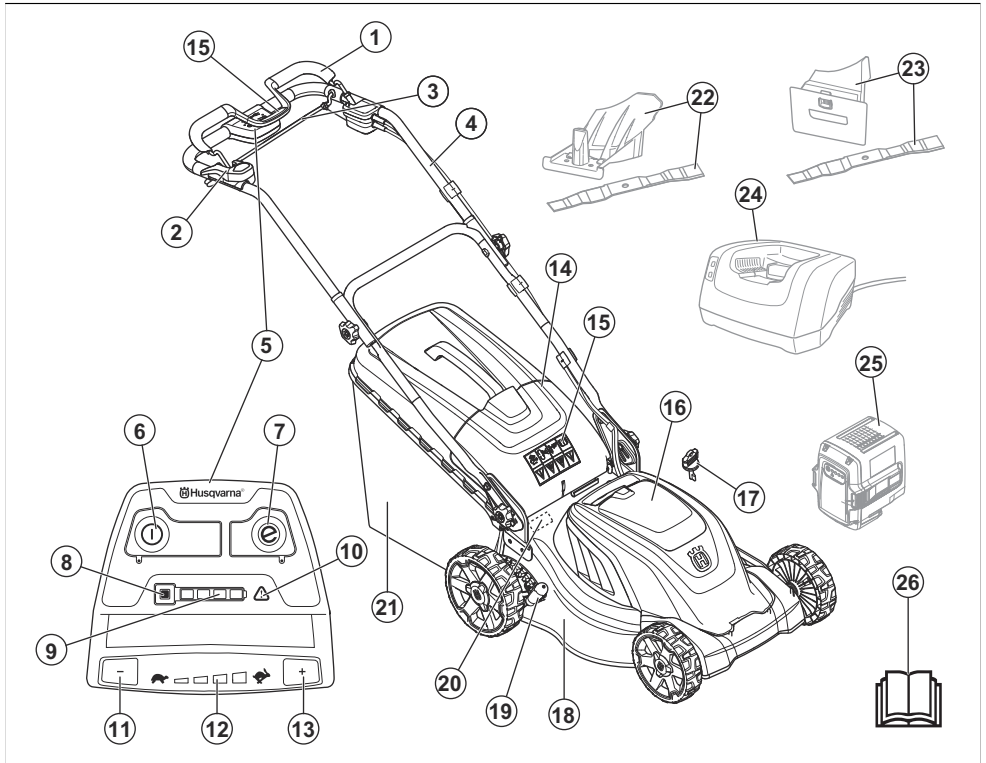
Description du produit

Le produit est une tondeuse rotative à pousser. L'herbe est recueillie dans un collecteur d'herbe. Retirez le collecteur d'herbe pour permettre l'éjection arrière de l'herbe. Fixez un kit de mulching (accessoire) pour broyer l'herbe et la transformer en engrais.

Utilisation prévue

Utilisez le produit pour couper l'herbe. N'utilisez pas ce produit pour d'autres travaux.

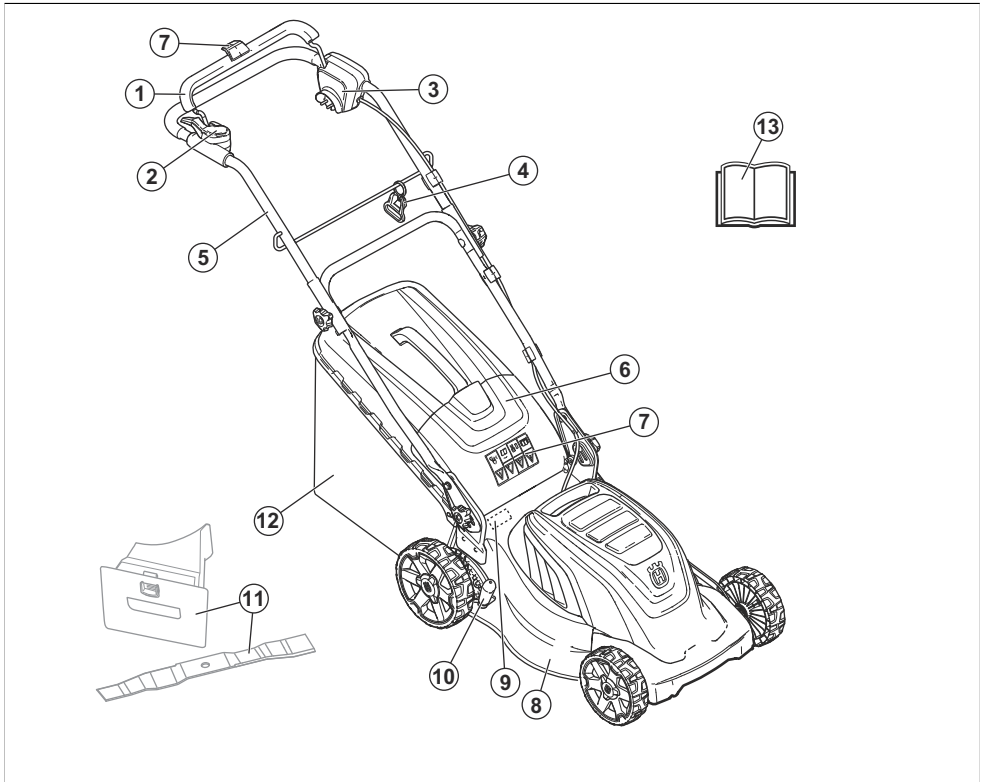
Présentation du produit LC 141iV/LC 141i



- | | |
|-----------------------------------|---------------------------|
| 1. Poignée de frein moteur | 5. Panneau de commande |
| 2. Antidémarrage | 6. Bouton MARCHÉ/ARRÊT |
| 3. Manette de commande (LC 141iV) | 7. Bouton Save |
| 4. Poignée/Guidon | 8. Indicateur de batterie |

- 9. Indicateur de charge de la batterie
- 10. Témoin d'avertissement (DEL D'ERREUR)
- 11. Bouton de décrémentation de la vitesse (LC 141iV)
- 12. Témoin de niveau de la vitesse (LC 141iV)
- 13. Bouton d'incrémentement de la vitesse (LC 141iV)
- 14. Couverture arrière
- 15. Symboles
- 16. Couverture de batterie
- 17. Clé de sécurité
- 18. Capot de coupe
- 19. Levier de hauteur de coupe
- 20. Plaque d'identification
- 21. Collecteur d'herbe
- 22. Kit de mulching (accessoire pour LC 141iV)
- 23. Kit de mulching (accessoire pour LC 141i)
- 24. Chargeur de batterie (accessoire)
- 25. Batterie (accessoire)
- 26. Manuel de l'opérateur

Présentation du produit LC 141C



- 1. Poignée de frein moteur
- 2. Antidémarrage
- 3. Prise du câble d'alimentation
- 4. Support du cordon d'alimentation
- 5. Poignée/Guidon
- 6. Couverture arrière
- 7. Symboles
- 8. Capot de coupe
- 9. Plaque d'identification
- 10. Levier de hauteur de coupe
- 11. Obturateur de broyeur (accessoire)
- 12. Collecteur d'herbe
- 13. Manuel de l'opérateur

Symboles concernant le produit



L'utilisateur ou les personnes situées à proximité peuvent subir des blessures graves ou mortelles si le produit

n'est pas utilisé
correctement et avec
précaution.



Lisez le manuel de
l'opérateur et assurez-
vous de bien
comprendre les
instructions avant
d'utiliser ce produit.



Maintenez les
personnes et les
animaux à une distance
suffisante de la zone de
travail.



Attention : projections et
ricochets.



Avertissement :
Maintenez les mains et
les pieds à distance de
la lame en rotation.



Avertissement :
Maintenez les pieds et
les mains à distance des
pièces en mouvement.



Retirez la clé de sécurité
avant de procéder à
l'entretien du produit.
(modèle LC 141iV/
LC 141i)



Débranchez l'appareil
de la prise électrique

avant de procéder à
l'entretien. (modèle
LC 141C)

IPX1 IPX1 - Le produit est
protégé contre
l'égouttement d'eau
(modèle LC 141iV/
LC 141i)

IPX4 IPX4 - Le produit est
protégé contre les
éclaboussures d'eau
(modèle LC 141C)



Ne laissez pas le produit
sous la pluie (modèle
LC 141iV/LC 141i)



Avertissement :
N'utilisez pas le produit
sur le cordon
d'alimentation, car cela
peut causer un choc
électrique ou
endommager le produit.
(modèle LC 141C)




Ce produit est conforme
aux directives CE en
vigueur.

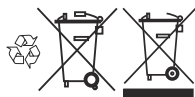


Émissions sonores dans
l'environnement selon la
directive de la
Communauté
européenne. Les
émissions du produit
sont indiquées au

chapitre
Caractéristiques
techniques et sur les
autocollants.

 Courant continu. 36 V

 Double isolation.



Déposez ce produit dans un site de recyclage pour équipements électriques et électroniques.
(Concerne seulement l'Europe)



Procédure de démarrage pour le modèle LC 141iV/ LC 141i: appuyez sur le bouton **MARCHE/ARRÊT**, desserrez l'antidémarrage, poussez la poignée de frein moteur vers le bas.



Procédure de démarrage pour le modèle LC 141C: desserrez l'antidémarrage, poussez la poignée de frein moteur vers le bas.



Relâchez la poignée de frein moteur pour arrêter.



Lent



Rapide



Code optiquement lisible

Remarque: Les autres symboles/autocollants présents sur le produit concernent des exigences de certification spécifiques à certains marchés.

Responsabilité

Conformément à la loi sur la responsabilité du fait des produits, nous déclinons toute responsabilité pour tout dommage causé par notre produit si :

- le produit n'est pas correctement réparé ;
- le produit est réparé avec des pièces qui ne proviennent pas du fabricant ou qui ne sont pas homologuées par le fabricant ;
- le produit est équipé d'un accessoire qui ne provient pas du fabricant ou qui n'est pas homologué par le fabricant ;
- le produit n'est pas réparé par un centre d'entretien agréé ou par une autorité homologuée.

Définitions de sécurité

Des avertissements, des recommandations et des remarques sont utilisés pour souligner des parties spécialement importantes du manuel.



AVERTISSEMENT: Symbole utilisé en cas de risque de blessures ou de mort pour l'opérateur ou les personnes à proximité si les instructions du manuel ne sont pas respectées.



REMARQUE: Symbole utilisé en cas de risque de dommages pour le produit, d'autres matériaux ou les environs si les instructions du manuel ne sont pas respectées.

Remarque: Symbole utilisé pour donner des informations supplémentaires pour une situation donnée.

Instructions générales de sécurité



AVERTISSEMENT: Lisez les instructions qui suivent avant d'utiliser le produit.

- Ce produit est dangereux s'il est utilisé de manière incorrecte ou imprudente. Des blessures graves ou mortelles peuvent se produire si vous ne respectez pas les instructions de sécurité.
- Ce produit génère un champ électromagnétique durant son fonctionnement. Ce champ peut dans certaines circonstances perturber le fonctionnement d'implants médicaux actifs ou passifs. Pour réduire le risque de blessures graves ou mortelles, les personnes portant des implants médicaux doivent consulter leur médecin et le fabricant de leur implant avant d'utiliser ce produit.
- Soyez toujours prudent et utilisez votre bon sens. Si vous ne savez pas comment faire fonctionner le produit dans une situation particulière, ne l'utilisez pas et contactez votre Husqvarna revendeur avant de poursuivre.
- N'oubliez pas que l'opérateur sera tenu responsable des accidents occasionnés à des tiers et à leurs biens.
- Maintenez le produit propre. Assurez-vous que vous pouvez lire clairement les avertissements et les autocollants.
- N'autorisez jamais des enfants ou des personnes qui ne sont pas familiarisées avec ces instructions à se servir de cet appareil. Les réglementations nationales peuvent limiter l'âge de l'utilisateur

- Surveillez constamment les personnes aux capacités physiques ou mentales réduites qui utilisent ce produit. Un adulte responsable doit être présent à tout moment.
- N'utilisez jamais l'appareil si vous êtes fatigué ou malade, ou si vous êtes sous l'emprise d'alcool, de drogues ou de médicaments. Cela a un effet négatif sur votre vision, votre vigilance, votre coordination et votre jugement.
- N'utilisez pas le produit si celui-ci est défectueux.
- Ne modifiez jamais le produit et ne l'utilisez jamais s'il est susceptible d'avoir été modifié par un tiers.

Sécurité dans l'espace de travail



AVERTISSEMENT:

Lisez les instructions qui suivent avant d'utiliser le produit.

- Retirez les objets tels que les branches, les brindilles et les pierres de la zone de travail avant d'utiliser le produit.
- Les objets heurtant l'équipement de coupe peuvent être éjectés et causer des blessures ou des dégâts matériels. Maintenez les personnes aux alentours et les animaux à une distance suffisante du produit.
- N'utilisez jamais le produit par mauvais temps, par exemple en cas de brouillard, de pluie, de vent violent, de froid intense et de risque d'éclair. Utiliser le produit par mauvais temps ou dans des environnements humides est fatigant. Le mauvais temps peut rendre les conditions de travail dangereuses : des surfaces peuvent par exemple devenir glissantes.
- Identifiez les éventuels personnes, objets et situations susceptibles de nuire à la sécurité du fonctionnement du produit.
- Soyez attentif aux obstacles tels que les racines, les pierres, les brindilles, les fosses et les fossés. L'herbe haute peut cacher des obstacles.
- Il peut être dangereux de couper l'herbe sur des terrains en pente. N'utilisez pas la tondeuse sur des pentes très raides. N'utilisez pas le produit sur un sol dont la pente est supérieure à 15°.

- Faites très attention lorsque vous changez de direction sur des surfaces en pente. Faites fonctionner le produit en travers de la courbe de la pente, jamais de haut en bas.
- Soyez prudent lorsque vous vous approchez de coins cachés et d'objets qui empêchent d'avoir une vue dégagée.
- Faites fonctionner le produit uniquement si la lame et tous les couvercles sont fixés correctement. Une lame fixée de manière inadéquate risque de se détacher et de causer des blessures personnelles.
- Assurez-vous que la lame ne touche pas des objets tels que des pierres et des racines. Cela peut endommager la lame et tordre l'arbre du moteur. Un arbre tordu génère de fortes vibrations, il y a alors un risque important que la lame se détache.

Sécurité du travail



AVERTISSEMENT:

Lisez les instructions qui suivent avant d'utiliser le produit.

- Utilisez le produit uniquement pour couper les pelouses. Il est interdit d'utiliser le produit pour d'autres travaux.
- Utilisez un équipement de protection personnelle. Reportez-vous à la section *Équipement de protection individuelle à la page 260*.
- Assurez-vous de savoir comment couper le moteur rapidement en cas d'urgence.
- Le produit ne doit pas être exposé à la pluie ou à l'humidité. Le risque de choc électrique augmente si de l'eau pénètre dans le produit.
- Arrêtez immédiatement le produit s'il vibre ou bute sur un objet. Coupez le moteur, tournez la clé de sécurité sur 0 et retirez la batterie (modèle LC 141iV et LC 141i) ou débranchez le cordon d'alimentation (modèle LC 141C). Vérifiez que le produit n'est pas endommagé. Réparez les éventuels dommages ou demandez à un atelier spécialisé agréé procéder aux réparations.
- N'attachez jamais la poignée de frein moteur en permanence à la poignée de commande quand le moteur est mis en marche.

- Placez le produit sur une surface stable et plane, puis lancez-le. Vérifiez que la lame ne touche pas le sol ou tout autre objet.
- Restez toujours derrière le produit lorsque vous l'utilisez.
- Faites reposer toutes les roues sur le sol et conservez vos deux mains sur la poignée lorsque vous faites fonctionner le produit. Maintenez les mains et les pieds à distance des lames en rotation.
- N'inclinez pas le produit quand le moteur est mis en marche.
- Soyez prudent lorsque vous tirez le produit vers l'avant.
- Ne soulevez jamais le produit quand le moteur est mis en marche. Si vous devez soulever le produit, arrêtez d'abord le moteur, tournez la clé de sécurité sur 0 et retirez la batterie (modèle LC 141iV et LC 141i) ou débranchez le cordon d'alimentation (modèle LC 141C).
- Ne marchez pas vers l'arrière lorsque vous utilisez le produit.
- Arrêtez le moteur lorsque vous vous déplacez à travers des zones exemptes d'herbe, par exemple des chemins de

gravier, de pierre ou d'asphalte.

- Ne courez pas lorsque vous utilisez le produit et que le moteur est mis en marche. Vous devez toujours marcher lorsque vous utilisez le produit.
- Arrêtez le moteur avant de modifier la hauteur de coupe. N'effectuez jamais de réglages pendant que le moteur tourne.
- Ne quittez jamais le produit des yeux pendant que le moteur tourne. Arrêtez le moteur et assurez-vous que l'équipement de coupe ne tourne pas.

Consignes de sécurité pour le fonctionnement

Équipement de protection individuelle



AVERTISSEMENT:

Lisez les instructions qui suivent avant d'utiliser le produit.

- L'équipement de protection individuel ne protège pas complètement des blessures, mais il diminue la gravité des blessures en cas d'accident. Faites appel à votre revendeur

pour vous aider à sélectionner l'équipement adéquat.

- Portez des bottes ou chaussures antidérapantes à usage intensif. Ne portez pas de chaussures ouvertes et ne soyez pas pieds nus lorsque vous utilisez le produit.
- Utilisez des pantalons longs et épais.
- Portez des gants de protection en cas de besoin, par exemple lorsque vous fixez, examinez ou nettoyez l'équipement de coupe.

Dispositifs de sécurité sur le produit



AVERTISSEMENT: Lisez les instructions qui suivent avant d'utiliser le produit.

- N'utilisez pas un produit avec des dispositifs de sécurité défectueux.
- Contrôlez les dispositifs de sécurité régulièrement. Si les dispositifs de sécurité sont défectueux, parlez-en à votre agent d'entretien Husqvarna.

Pour contrôler le capot de coupe

Le capot de coupe réduit les vibrations dans le produit et réduit le risque de blessures provoquées par la lame.

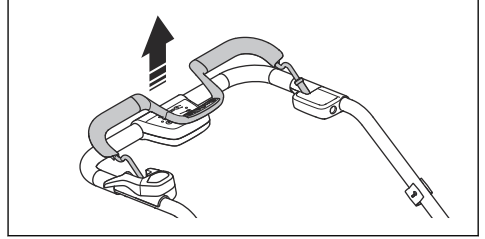
- Examinez le capot de coupe pour vous assurer qu'il ne présente pas de dommages tels que des fissures.

Poignée de frein moteur

La poignée de frein moteur arrête le moteur. Lorsque la poignée de frein moteur est relâchée, le moteur s'arrête.

Pour inspecter le frein moteur, démarrez le moteur, puis relâchez la poignée de frein moteur. Si le moteur ne s'arrête pas au bout de 3 secondes, demandez à un

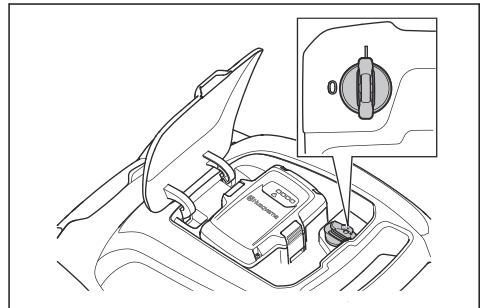
atelier Husqvarna spécialisé agréé de régler le frein moteur.



Clé de sécurité (modèles LC 141IV et LC 141i)

La clé de sécurité se trouve sous le couvercle de la batterie. La clé de sécurité est reliée à la batterie qui alimente le moteur.

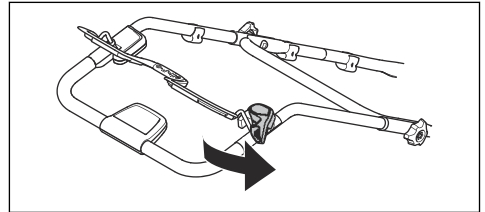
- Démarrez et arrêtez le moteur pour contrôler la clé de sécurité.
- Si la clé de sécurité fonctionne correctement, le moteur démarre seulement lorsque la clé est en position 1.



Pour contrôler l'antidémarrage

Contrôlez l'antidémarrage afin de vous assurer qu'il empêche le fonctionnement du moteur.

1. Poussez la poignée de frein moteur en direction du guidon. L'antidémarrage arrête le mouvement.
2. Poussez l'antidémarrage.

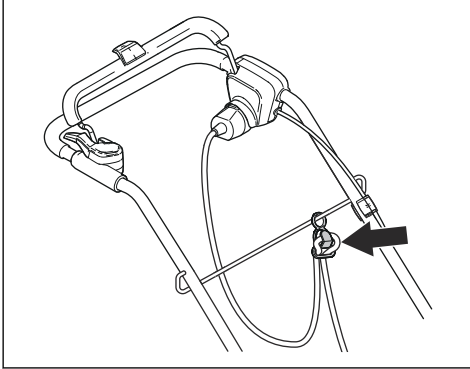


3. Relâchez l'antidémarrage et assurez-vous qu'il revient dans sa position initiale.

Pour utiliser le support du cordon d'alimentation (modèle LC 141C)

Le support du cordon d'alimentation diminue la tension exercée sur la prise électrique et le cordon. Le support du cordon d'alimentation réduit également le risque de chute.

1. Pliez le cordon d'alimentation pour former une petite boucle.
2. Passez la boucle dans le trou du support de cordon d'alimentation.
3. Placez la boucle autour du crochet.
4. Tirez le cordon d'alimentation pour serrer la boucle autour du crochet.



Consignes de sécurité relatives à l'utilisation de la batterie



AVERTISSEMENT: lisez les instructions qui suivent avant d'utiliser le produit.

- N'utilisez pas de batteries non rechargeables.
 - Risque de choc électrique. Ne branchez pas les bornes de la batterie à des clés, des pièces de monnaie, des vis ou tout autre élément métallique. Cela peut provoquer un court-circuit de la batterie.
 - Ne placez pas d'objets dans les fentes d'aération de la batterie.
 - Protégez la batterie des rayons directs du soleil, de la chaleur et des flammes nues. La batterie peut exploser et provoquer des brûlures et/ou des brûlures chimiques.
 - Protégez la batterie de la pluie et de l'humidité.
 - Protégez la batterie des micro-ondes et des hautes pressions.
 - N'essayez pas de démonter ou de casser la batterie.
 - En cas de fuite de la batterie, ne laissez pas le liquide entrer en contact avec votre peau ou vos yeux. Si vous avez touché le liquide, nettoyez la zone avec beaucoup d'eau claire et contactez un médecin.
 - Utilisez la batterie à une température comprise entre -10 °C et 40 °C.
- Utilisez des batteries rechargeables Husqvarna pour alimenter les produits Husqvarna uniquement. Afin d'éviter toute blessure, n'utilisez pas la batterie comme source d'alimentation pour d'autres produits.

- Ne nettoyez pas la batterie ou le chargeur de batterie avec de l'eau. Consultez la section *Pour nettoyer la batterie et le chargeur de batterie à la page 274.*
- N'utilisez pas de batterie défectueuse ou endommagée.
- Conservez les batteries en stock à distance des objets métalliques, tels que clous, pièces de monnaie ou bijoux.

Consignes de sécurité relatives au chargeur de batterie



AVERTISSEMENT: lisez les instructions qui suivent avant d'utiliser le produit.

- Utilisez uniquement des chargeurs de batterie QC Husqvarna pour charger les batteries de remplacement.
- Risque de choc électrique ou de court-circuit. Ne placez pas d'objets dans les fentes d'aération du chargeur. N'essayez pas de démonter le chargeur de batterie. Ne raccordez pas les bornes du chargeur à des objets métalliques. Utilisez une prise secteur agréée.
- Ce produit génère un champ électromagnétique durant son fonctionnement. Ce champ peut dans certaines circonstances perturber le fonctionnement d'implants médicaux actifs ou passifs. Pour réduire le risque de blessures graves ou mortelles, les personnes portant des implants médicaux doivent consulter leur médecin et le fabricant de leur implant avant d'utiliser cet appareil.
- Assurez-vous régulièrement que le cordon d'alimentation du chargeur de batterie n'est pas endommagé et qu'il ne présente aucune fissure.
- Ne soulevez pas le chargeur de batterie par le cordon d'alimentation. Pour débrancher le chargeur de batterie d'une prise d'alimentation secteur, tirez sur la fiche. Ne tirez pas le cordon d'alimentation.
- Conservez le cordon d'alimentation et les rallonges à l'abri de l'eau, de l'huile et des bords tranchants. Veillez à ce que le câble ne soit pas coincé dans des portes, des clôtures ou tout autre équipement similaire. Le chargeur pourrait être mis sous tension.
- Ne nettoyez pas le chargeur de batterie avec de l'eau.

- Le chargeur de batterie peut être utilisé par des enfants âgés de 8 ans et plus et des personnes ayant des handicaps physiques, sensoriels ou mentaux ou manquant d'expérience et de connaissances à condition qu'ils aient reçu la surveillance ou les instructions appropriées concernant l'utilisation du chargeur de batterie en toute sécurité et qu'ils aient bien compris les risques encourus. Les enfants ne doivent pas jouer avec le chargeur de batterie. Le nettoyage et les opérations d'entretien à effectuer par l'utilisateur ne doivent pas être réalisés par des enfants sans surveillance.
- Ne chargez pas de batterie non rechargeable dans le chargeur de batterie.
- N'utilisez pas le chargeur de batterie à proximité de matériaux inflammables ou de matériaux pouvant provoquer la formation de corrosion. Ne recouvrez pas le chargeur de batterie. En cas de dégagement de fumée ou de début d'incendie, débranchez aussitôt la fiche reliée au chargeur de batterie.
- N'utilisez pas de chargeur de batterie défectueux ou endommagé.
- Rechargez la batterie uniquement en intérieur, dans un endroit bien aéré et à l'abri de la lumière. Ne rechargez pas la batterie dans des conditions humides.

Sécurité relative au cordon d'alimentation

Pour le modèle LC 141C.

- L'utilisation d'un dispositif à courant différentiel résiduel (DDR) doté d'un courant de déclenchement inférieur ou égal à 30 mA est recommandée. Il est impossible de garantir une sécurité absolue, même lorsqu'un DDR est installé. Il faut donc constamment s'en tenir à des procédures de travail sûres. Contrôlez votre DDR à chaque utilisation.
- Débranchez-le immédiatement de l'alimentation secteur si le cordon d'alimentation est sectionné ou si l'isolation est détériorée.
- Ne touchez pas à un cordon électrique sectionné ou endommagé tant que l'appareil est sous tension.
- Ne réparez pas un cordon d'alimentation sectionné ou

endommagé. Remplacez-le par un neuf.

Consignes de sécurité pour l'entretien



AVERTISSEMENT: Lisez les instructions qui suivent avant d'utiliser le produit.

- Pour le modèle LC 141iV, LC 141i : Afin d'éviter tout démarrage accidentel pendant l'entretien, tournez la clé de sécurité sur 0 et retirez la batterie. Attendez au moins 5 secondes avant de commencer l'entretien.
- Pour le modèle LC 141C : Pour éviter tout démarrage accidentel lors de l'entretien, débranchez le cordon d'alimentation.
- Effectuez l'entretien correctement afin de prolonger la durée de vie du produit et de réduire les risques d'accident. Faites réaliser les réparations professionnelles par un agent d'entretien agréé. Contactez votre agent d'entretien le plus proche pour plus d'informations.
- Effectuez uniquement les tâches d'entretien décrites dans le présent manuel d'utilisation. Les mesures plus importantes doivent être effectuées par un agent d'entretien agréé.
- Portez des gants de protection robustes lorsque vous manipulez l'équipement de coupe. La lame est très tranchante et des coupures peuvent survenir facilement.
- Maintenez les bords tranchants aiguisés et propres pour obtenir des performances optimales et sûres.
- Laissez à l'agent d'entretien le soin de contrôler régulièrement le produit et d'effectuer les réglages et les réparations nécessaires.
- Remplacez les pièces endommagées, usées ou cassées.
- Respectez les instructions relatives au remplacement des accessoires. Utilisez uniquement des accessoires obtenus auprès du fabricant.
- Lorsqu'ils ne sont pas utilisés, conservez le produit avec la batterie et le chargeur de batterie à part dans un endroit sec, en intérieur et verrouillé. Veillez à ce que les enfants et les personnes non autorisées ne puissent avoir accès au produit, à la batterie ou au chargeur de batterie.

Montage

Introduction



AVERTISSEMENT: Avant d'installer le produit, consultez le chapitre sur la sécurité.

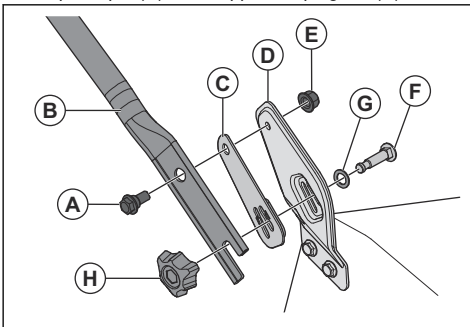


AVERTISSEMENT: Pour le modèle LC 141iV, LC 141i : Pour éviter tout démarrage accidentel lors du montage, tournez la clé de sécurité sur 0, retirez la batterie et attendez au moins 5 secondes.

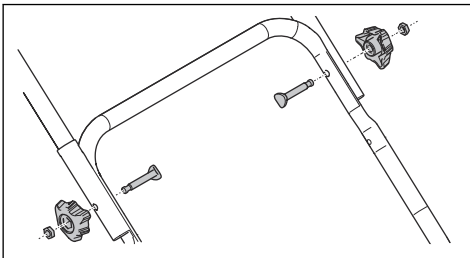
Pour le modèle LC 141C : Afin d'éviter tout démarrage accidentel lors de l'assemblage, débranchez le cordon d'alimentation.

Pour monter la poignée

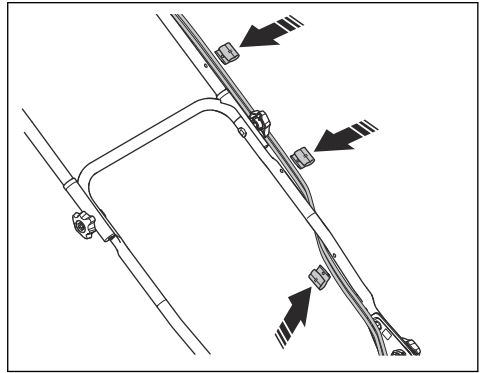
1. Poussez la vis (A) dans la poignée (B), la rondelle en plastique (C) et le support de poignée (D).



2. Serrez entièrement l'écrou (E).
3. Poussez la vis (F) dans la rondelle (G) et le support de poignée.
4. Serrez entièrement le bouton (H).
5. Alignez les trous du guidon avec les trous de la poignée inférieure et fixez les vis, les rondelles et les boutons. Serrez fermement les boutons.

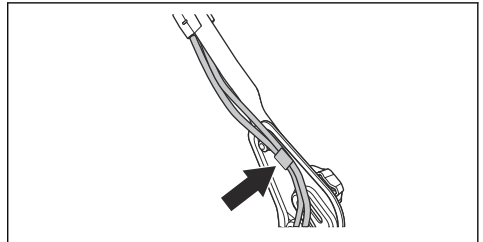


6. Fixez les câbles à la poignée avec les supports de câble.



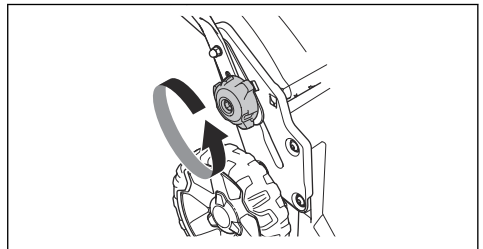
Remarque: Assurez-vous que la tension dans les câbles n'est pas trop élevée. Une tension trop élevée peut endommager le câble si la poignée est rabattue en position de transport.

7. Placez les câbles autour du crochet sur la partie inférieure de la poignée.



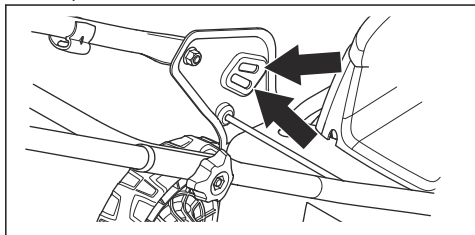
Pour régler la hauteur de la poignée

1. Desserrez les boutons inférieurs.

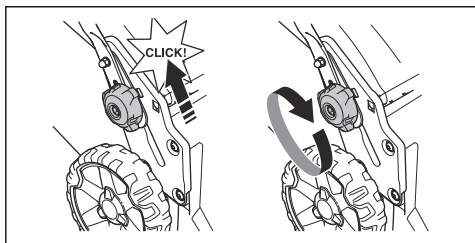


2. Déposez le bouton, la rondelle et la vis de chaque côté.

3. La poignée peut être réglée sur 2 hauteurs différentes. Placez la vis dans l'un des 2 trous de chaque côté.

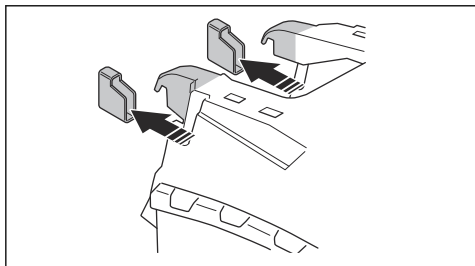


4. Fixez les vis, les rondelles et les boutons.
5. Déplacez les boutons vers le haut, en direction de la poignée, jusqu'à ce qu'ils s'arrêtent et qu'un clic se fasse entendre. Serrez fermement les boutons.

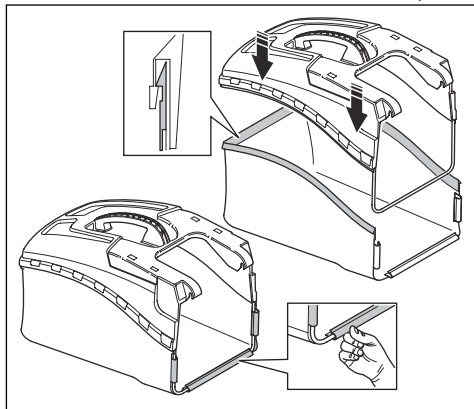


Montage du collecteur d'herbe

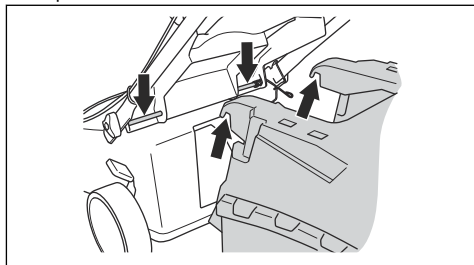
1. Poussez les 2 capots de transport vers l'extérieur et vers le bas.



2. Insérez la partie supérieure du collecteur d'herbe dans la partie inférieure du collecteur d'herbe. Fixez le châssis du collecteur d'herbe à l'aide des clips.

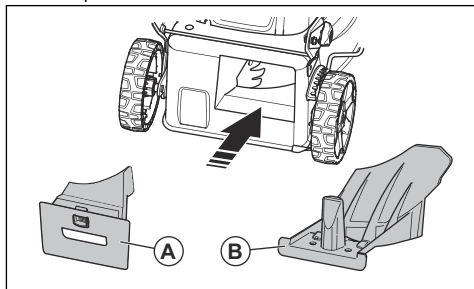


3. Soulevez le capot arrière.
4. Fixez les crochets du collecteur d'herbe sur le bord supérieur du châssis.



Pour monter le kit de broyage

1. Relevez le capot arrière et retirez le collecteur d'herbe.
2. Placez l'obturateur du broyeur dans le canal d'éjection de l'herbe. L'obturateur de broyage de type A est conçu pour LC 141i et LC 141C. Le type B est pour LC 141iV.



3. Fermez le capot arrière.
4. Remplacez la lame avec la lame Combi, voir *Pour retirer et remplacer la lame à la page 274.*

Utilisation

Introduction



AVERTISSEMENT: Avant d'utiliser le produit, vous devez lire et comprendre le chapitre sur la sécurité.

Husqvarna Connect

Husqvarna Connect est une application gratuite pour votre appareil mobile. L'application Husqvarna Connect offre des fonctions étendues à votre produit Husqvarna :

- Informations produit détaillées.
- Informations et aide sur les pièces et l'entretien du produit.

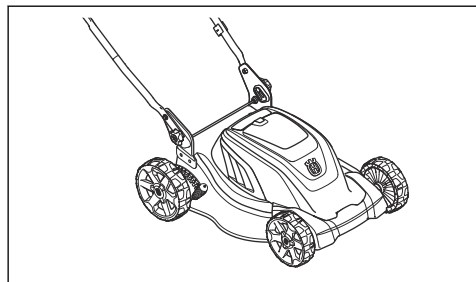
Pour commencer à utiliser Husqvarna Connect

1. Téléchargez l'application Husqvarna Connect sur votre appareil mobile.
2. Enregistrez-vous sur l'application Husqvarna Connect.
3. Suivez les instructions de l'application Husqvarna Connect pour vous connecter et enregistrer le produit.

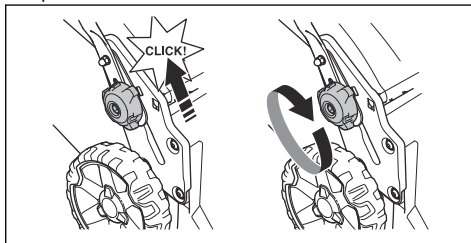
Pour régler le produit en position de fonctionnement

Si le levier est placé en position de transport et de rangement (voir *Pour régler le produit en position de transport à la page 276*), réalisez la procédure suivante pour placer la poignée en position de fonctionnement.

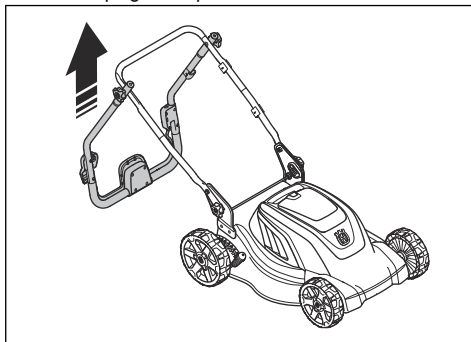
1. Soulevez la poignée jusqu'à ce que la poignée inférieure se verrouille en position de fonctionnement.



2. Déplacez les boutons inférieurs vers le haut, en direction de la poignée, jusqu'à ce qu'ils s'arrêtent et qu'un clic se fasse entendre.

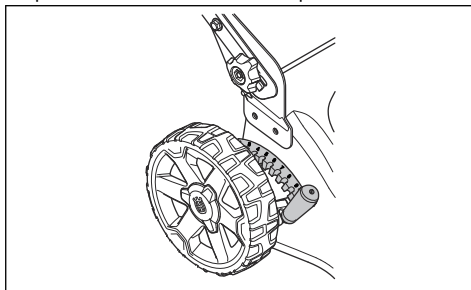


3. Serrer les boutons.
4. Fixez la poignée supérieure et serrez les boutons.



Pour régler la hauteur de coupe

1. Déplacez le levier de hauteur de coupe vers l'arrière pour augmenter la hauteur de coupe.
2. Déplacez le levier de hauteur de coupe vers l'avant pour diminuer la hauteur de coupe.



REMARQUE: La hauteur de coupe ne doit pas être réglée trop bas. Les lames peuvent toucher le sol si la surface de la pelouse n'est pas plane.

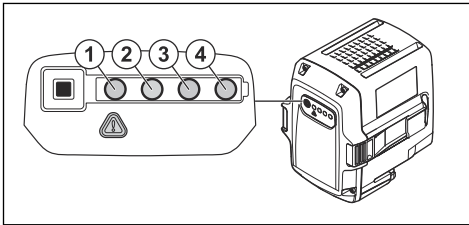
Batterie



AVERTISSEMENT: Avant d'utiliser la batterie, vous devez lire et comprendre le chapitre sur la sécurité. Vous devez également lire et comprendre le manuel d'utilisation de la batterie et du chargeur de batterie.

État de la batterie

L'écran indique la capacité restante de la batterie ainsi que tout problème éventuel lié à la batterie. La capacité de la batterie s'affiche pendant 5 secondes après l'arrêt du produit ou l'enfoncement du bouton d'indicateur de batterie. Le symbole d'avertissement sur la batterie s'allume en cas d'erreur. Consultez la section *Batterie à la page 275*.



Voyants DEL	État de la batterie
Toutes les DEL sont allumées	Batterie complètement chargée (75-100 %)
Les DEL 1, DEL 2 et DEL 3 sont allumées	La batterie est chargée à 50 %-75 %
Les DEL 1 et DEL 2 sont allumées	La batterie est chargée à 25 %-50 %
La DEL 1 est allumée	La batterie est chargée à 0 %-25 %.
La DEL 1 clignote	La batterie est vide. Rechargez la batterie.

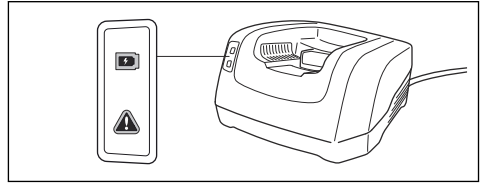
Pour charger la batterie

Chargez la batterie avant la première utilisation. La batterie n'est chargée qu'à 30 % au moment de sa livraison au client.

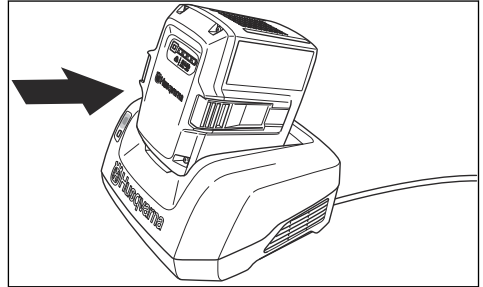
Remarque: Le chargeur de batterie doit être raccordé à la tension et à la fréquence indiquées sur la plaque signalétique.

La batterie ne se charge pas si la température de la batterie est supérieure à 50 °C. Le chargeur de batterie diminue la température de la batterie avant le début de la charge.

1. Branchez une extrémité du cordon d'alimentation du chargeur de batterie dans la prise du chargeur de batterie.
2. Branchez l'autre extrémité du cordon d'alimentation du chargeur de batterie dans une prise secteur mise à la masse. La DEL sur le chargeur de batterie clignote une fois en vert.



3. Placez la batterie dans le chargeur de batterie. Le témoin vert du chargeur s'allume lorsque la batterie est correctement branchée au chargeur de batterie.



4. La batterie est totalement rechargée quand toutes les DEL sur la batterie sont allumées. Chargez la batterie pendant 24 heures au maximum.
5. Pour débrancher le chargeur de batterie de la prise secteur, tirez sur la fiche et non sur le cordon d'alimentation.
6. Dégagez la batterie du chargeur de batterie.

Niveau de charge de la batterie

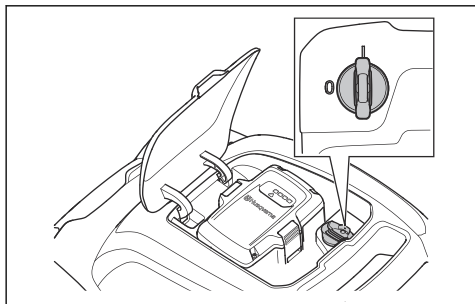
Une batterie au lithium-ion Husqvarna peut être chargée ou utilisée à tous les niveaux de charge. Vous n'endommagerez pas la batterie. Une batterie pleine ne perdra pas sa charge même si elle est laissée dans le chargeur.

Affichage à DEL	État de charge
La DEL 1 clignote	0 %-25 %
La DEL 1 est allumée, la DEL 2 clignote	25 %-50 %
Les DEL 1 et 2 sont allumées, la DEL 3 clignote	50 %-75 %
Les DEL 1, 2 et 3 sont allumées, la DEL 4 clignote	75 %-100 %
Les DEL 1, 2, 3 et 4 sont allumées	Batterie complètement chargée

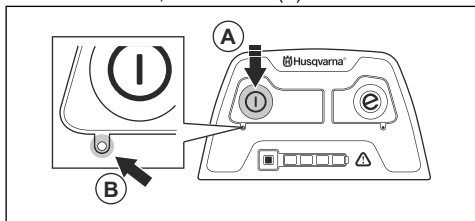
Pour faire fonctionner LC 141iV et LC 141i

Pour démarrer le produit

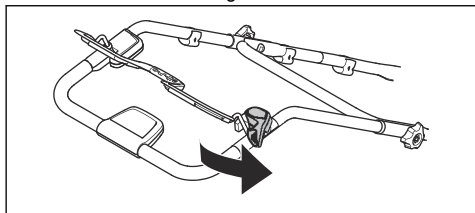
1. Insérez une batterie chargée dans le compartiment à batterie.
2. Tournez la clé de sécurité sur 1.



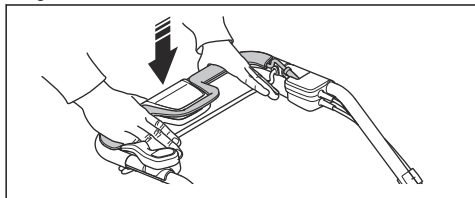
3. Restez derrière le produit.
4. Appuyez sur le bouton ON/OFF (A) sur le panneau de commande ; la DEL verte (B) s'allume.



5. Relâchez l'antidémarrage.

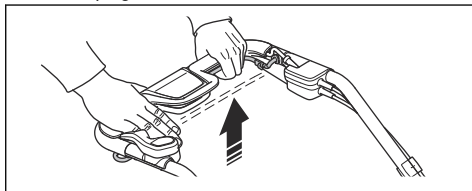


6. Poussez la poignée de frein moteur en direction du guidon.

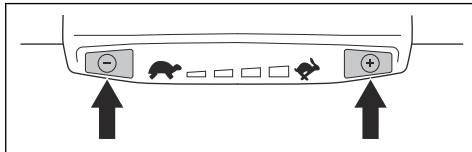


Pour appliquer l'entraînement aux roues

- Modèle LC 141iV. Tirez la manette de commande vers la poignée afin d'actionner l'entraînement.



- Appuyez sur + et - sur le panneau de commande pour régler la vitesse d'entraînement en 4 étapes.

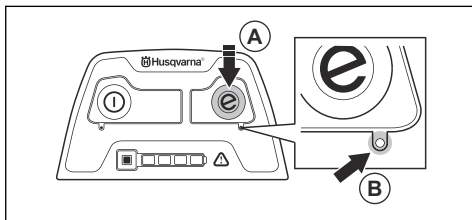


- Relâchez la manette de commande pour désengager l'entraînement, lorsque vous vous rendez à proximité d'un obstacle par exemple.

Pour utiliser la fonction SavE

Le produit est équipé d'une fonction d'économie de la batterie (SavE) qui garantit une durée de fonctionnement prolongée.

1. Appuyez sur le bouton SavE (A) pour lancer la fonction. La DEL verte s'allume.



2. Appuyez à nouveau sur le bouton SavE pour arrêter la fonction. La DEL verte (B) s'éteint.

La fonction SavE se coupe automatiquement lorsque les conditions de terrain nécessitent une puissance plus élevée. La fonction SavE se lance automatiquement lorsque les conditions de terrain le permettent.

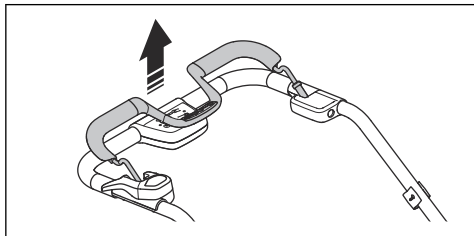
Fonction charge élevée

Lorsque le produit coupe de l'herbe haute ou humide, le régime moteur augmente automatiquement. Le moteur repasse en mode standard lorsqu'une charge élevée n'est plus requise.

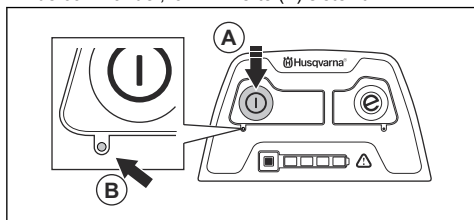
Pour arrêter le produit

Le produit s'arrête automatiquement s'il ne fonctionne pas pendant 10 minutes. Mettez toujours la clé de sécurité sur 0 avant de quitter le produit des yeux.

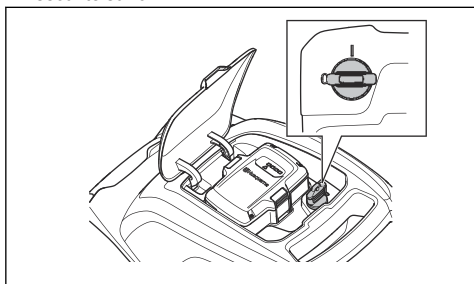
1. Relâchez la poignée de frein moteur pour arrêter le moteur.



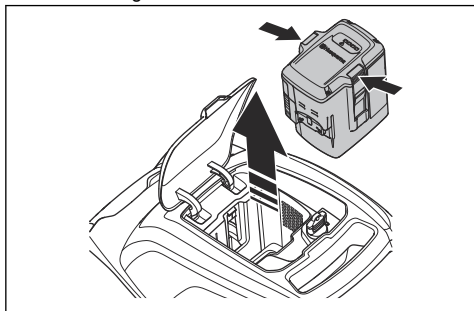
2. Appuyez sur le bouton ON/OFF (A) sur le panneau de commande ; la DEL verte (B) s'éteint.



3. Ouvrez le couvercle de batterie et tournez la clé de sécurité sur 0.



4. Pour retirer la batterie, appuyez sur les 2 cliquets de déverrouillage et sortez la batterie.



5. Chargez la batterie si son niveau est faible. Pour plus d'informations, consultez la section *Pour charger la batterie* à la page 269.

Pour faire fonctionner LC 141C

Pour sélectionner un câble homologué (LC 141C)

Remarque: Pour le marché britannique, utilisez uniquement le câble de rallonge 16M fourni avec le produit. Pour tous les autres marchés, reportez-vous aux informations ci-dessous.

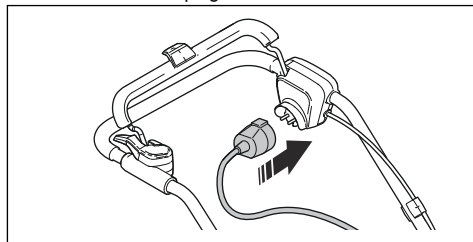
Si les câbles de rallonge sont utilisés, ils doivent être conformes aux sections transversales minimum indiquées dans le tableau ci-dessous :

Tension	Longueur du câble	Section transversale
220-240 V/50 Hz	Jusqu'à 20 m	1,5 mm ²
220-240 V/50 Hz	20-50 m	2,5 mm ²

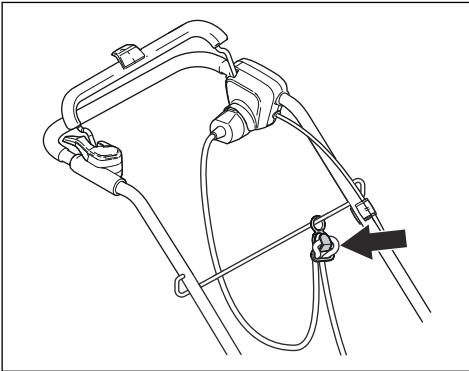
- Les câbles secteur et les câbles de rallonge sont disponibles auprès de votre agent technique agréé pour les produits d'extérieur Husqvarna .
- Utilisez uniquement des câbles de rallonge spécialement conçus pour un usage en extérieur et conformes à l'une des spécifications suivantes : Caoutchouc ordinaire (60245 IEC 53), PVC ordinaire (60227 IEC 53) ou PCP ordinaire (60245 IEC 57)
- Si le câble est endommagé, il doit être remplacé par le fabricant, son agent d'entretien ou toute autre personne habilitée, afin d'éviter tout danger.

Pour démarrer le produit

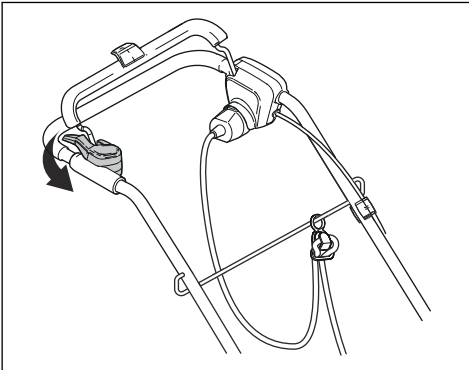
1. Branchez un câble d'alimentation à la prise située en-dessous de la poignée.



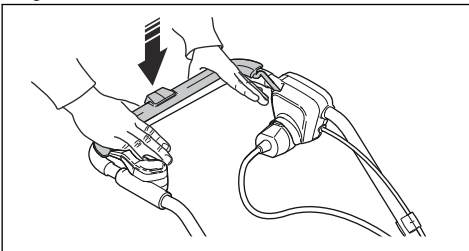
- Placez le câble d'alimentation dans le support du cordon d'alimentation. Reportez-vous à la section *Pour utiliser le support du cordon d'alimentation (modèle LC 141C) à la page 262.*



- Restez derrière le produit.
- Relâchez l'antidémarrage.

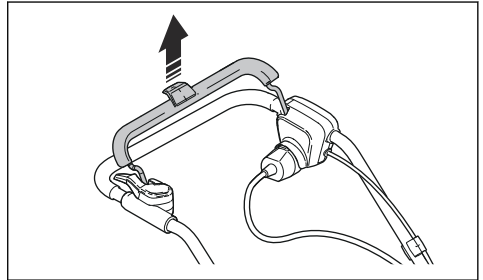


- Poussez la poignée de frein moteur en direction du guidon.

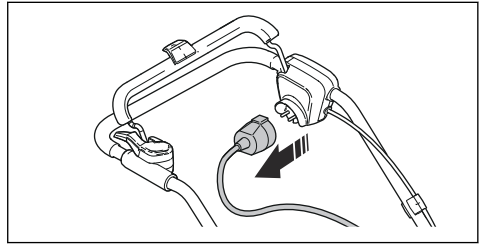


Pour arrêter le produit

- Relâchez la poignée de frein moteur pour arrêter le moteur.



- Débranchez le cordon d'alimentation de la prise secteur et ensuite, du produit.



REMARQUE: Tirez sur la fiche immédiatement. Ne tirez pas le cordon d'alimentation.

Obtenir de bons résultats

- Utilisez toujours une lame correctement affûtée. Une lame émoussée produit un résultat irrégulier et l'herbe jaunira à la surface de la coupe. De plus, une lame affûtée consomme moins d'énergie qu'une lame émoussée.
- Ne coupez pas plus d'un tiers de la longueur de l'herbe. Coupez d'abord avec une hauteur de coupe élevée. Examinez le résultat et abaissez la hauteur de coupe à un niveau convenable. Si l'herbe est très longue, tondez lentement, et deux fois si nécessaire.
- Tondez toujours dans différentes directions afin d'éviter de faire des lignes dans la pelouse.

Entretien

Introduction



AVERTISSEMENT: Avant d'effectuer des travaux d'entretien, vous devez lire et comprendre le chapitre sur la sécurité.

Une formation spécifique est nécessaire pour effectuer tous les travaux d'entretien et de réparation du produit. Nous garantissons qu'il vous est possible d'obtenir des services de réparation et d'entretien effectués par des

professionnels. Si votre concessionnaire n'est pas un atelier spécialisé, demandez-lui des informations à propos de l'atelier spécialisé le plus proche.

Calendrier de maintenance

Les intervalles d'entretien sont calculés selon une utilisation quotidienne du produit. Les intervalles sont différents si le produit n'est pas utilisé tous les jours.

Pour l'entretien marqué d'un *, reportez-vous à *Dispositifs de sécurité sur le produit à la page 261.*

LC 141IV, LC 141i et LC 141C	Toutes utilisations	Une fois par mois	À chaque saison
Faites une inspection générale.	X		
Nettoyez le produit.	X		
Contrôlez l'antidémarrage *.	X		
Assurez-vous que les dispositifs de sécurité sur le produit ne sont pas défectueux *.	X		
Inspectez l'équipement de coupe.	X		
Inspectez le capot de coupe *.	X		
Contrôlez la poignée du frein moteur *.	X		

LC 141IV et LC 141i uniquement	Toutes utilisations	Une fois par mois	À chaque saison
Assurez-vous que le bouton ON/OFF fonctionne correctement et qu'il n'est pas défectueux.	X		
Examinez la batterie afin de détecter d'éventuels dommages.	X		
Contrôlez le niveau de charge de la batterie.	X		
Vérifiez que les cliquets de déverrouillage de la batterie fonctionnent correctement et fixent la batterie dans le produit.	X		
Examinez le chargeur de batterie afin de détecter d'éventuels dommages et assurez-vous qu'il fonctionne correctement.		X	
Examinez les connexions entre la batterie et le produit. Examinez également la connexion entre la batterie et le chargeur de batterie.			X

Pour faire une inspection générale

- Assurez-vous que les vis et les écrous du produit sont serrés.

- Assurez-vous que les câbles sur le produit ne sont pas dans une position où ils risquent d'être endommagés.

Pour nettoyer le produit

- Nettoyez les éléments en plastique avec un chiffon sec et propre.
- N'utilisez pas d'eau pour nettoyer le produit. L'eau pourrait pénétrer dans la batterie ou le moteur et provoquer un court-circuit ou endommager le produit.
- N'utilisez pas de nettoyeur haute pression pour le nettoyage du produit.
- Ne jetez pas d'eau directement sur le moteur.
- Utilisez une brosse pour enlever les feuilles, l'herbe et la saleté.

Pour nettoyer la batterie et le chargeur de batterie



REMARQUE: Ne nettoyez pas la batterie ou le chargeur de batterie avec de l'eau.

- Assurez-vous que la batterie et le chargeur de batterie sont propres et secs avant de placer la batterie dans le chargeur de batterie.
- Nettoyez les bornes de la batterie avec de l'air comprimé ou un chiffon sec et doux.
- Nettoyez les surfaces de la batterie et du chargeur de batterie avec un chiffon sec et doux.

Pour inspecter l'équipement de coupe



AVERTISSEMENT: Pour les modèles LC 141iV et LC 141i : Pour éviter tout démarrage accidentel, tournez la clé de sécurité sur 0, retirez la batterie et attendez au moins 5 secondes.

Pour le modèle LC 141C : Afin d'éviter tout démarrage accidentel, débranchez le cordon d'alimentation.



AVERTISSEMENT: Utilisez des gants de protection lorsque vous procédez à l'entretien de l'équipement de coupe. La lame est très tranchante et des coupures peuvent survenir facilement.

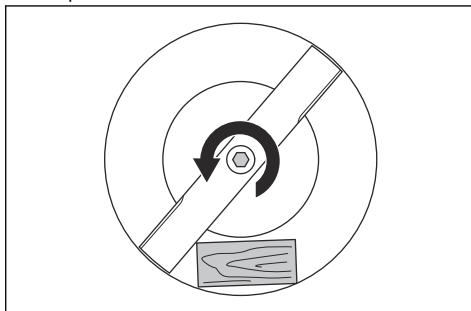
1. Inspectez l'équipement de coupe afin de détecter d'éventuels dommages ou fissures. Remplacez toujours un équipement de coupe endommagé.
2. Inspectez la lame pour voir si elle est endommagée ou émoussée.

Remarque: Il est nécessaire d'équilibrer la lame après l'avoir affûtée. Demandez à un centre d'entretien d'affûter, de remplacer et d'équilibrer la lame. Si vous heurtez un obstacle qui entraîne l'arrêt du produit, remplacez la lame endommagée. Demandez au centre

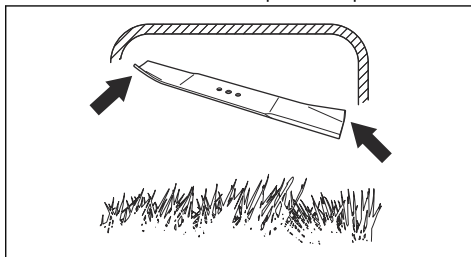
d'entretien d'évaluer si la lame peut être affûtée ou si elle doit être remplacée.

Pour retirer et remplacer la lame

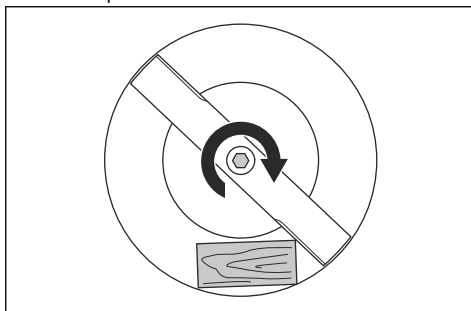
1. Bloquez la lame avec un bloc en bois.



2. Retirez le boulon de lame.
3. Retirez la lame.
4. Examinez le support de lame et le boulon de lame pour voir s'ils sont endommagés.
5. Examinez l'arbre du moteur pour vous assurer qu'il n'est pas tordu.
6. Lorsque vous fixez la nouvelle lame, orientez le tranchant en direction du capot de coupe.



7. Assurez-vous que la lame est alignée par rapport au centre de l'arbre du moteur.
8. Bloquez la lame avec un bloc en bois. Fixez la rondelle ressort, puis serrez le boulon et la rondelle à un couple de 20 Nm.



9. Déplacez la lame à la main et vérifiez qu'elle tourne librement.

tranchante et des coupures peuvent survenir facilement.



AVERTISSEMENT: Utilisez des gants de travail épais. La lame est très

10. Démarrez le produit pour tester la lame. Si la lame n'est pas correctement fixée, le produit vibre ou le résultat de coupe n'est pas satisfaisant.

Dépannage

Batterie

DEL sur la batterie	Cause	Solution
La DEL d'erreur clignote	La tension de la batterie est faible.	Rechargez la batterie. Reportez-vous à la section <i>Pour charger la batterie à la page 269.</i>
La LED d'erreur clignote.	La batterie est faible.	Rechargez la batterie. Reportez-vous à la section <i>Pour charger la batterie à la page 269.</i>
	La température de l'environnement de travail est trop élevée ou trop basse.	Utilisez la batterie à une température comprise entre -10 °C et 40 °C.
	Surtension.	Assurez-vous que la tension secteur est identique à celle indiquée sur la plaque signalétique du produit. Dégagez la batterie du chargeur de batterie. Attendez 5 secondes et essayez à nouveau de charger la batterie. Si le problème persiste, contactez un atelier spécialisé agréé.
La DEL d'erreur est allumée	L'écart de tension entre les cellules est trop important (1 V).	Contactez un agent d'entretien agréé.

Chargeur de batterie

DEL sur le chargeur de batterie	Cause	Solution
La LED d'erreur clignote.	La température de l'environnement de travail est trop élevée ou trop basse.	Utilisez le chargeur de batterie à une température comprise entre 5 °C et 40 °C.
La DEL d'erreur est allumée		Contactez un agent d'entretien agréé.

Panneau de commande

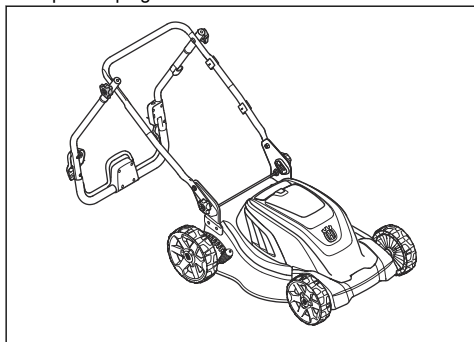
En cas de problème non traité dans cette section, contactez votre agent d'entretien.

Clavier	Défaillances possibles	Action possible
La DEL d'erreur clignote	Le moteur est en surcharge	Augmentez la hauteur de coupe. Consultez la section <i>Pour régler la hauteur de coupe à la page 268.</i>
	La vitesse du moteur chute trop et le moteur s'arrête	
	La commande du moteur est trop chaude	Arrêtez le moteur et attendez qu'il refroidisse
	La lame est bloquée	Pour éviter tout démarrage accidentel, tournez la clé de sécurité sur 0, retirez la batterie et attendez au moins 5 secondes. Assurez-vous que la lame tourne librement. Si le problème persiste, contactez un agent d'entretien agréé
	Erreur de batterie ou pas de signal de batterie	Placez la batterie dans le produit correctement et examinez le connecteur de batterie. Si la DEL d'erreur sur la batterie clignote, reportez-vous à <i>Batterie à la page 275.</i>
Le produit s'arrête	La batterie est faible	Rechargez la batterie. Consultez la section <i>Pour charger la batterie à la page 269.</i>
	Défaillance du connecteur de batterie	Examinez le connecteur de batterie

Transport, entreposage et mise au rebut

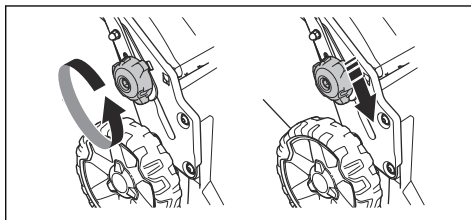
Pour régler le produit en position de transport

1. Retirez le collecteur d'herbe (le cas échéant).
2. Desserrez les boutons de la poignée supérieure et repliez la poignée vers le bas.

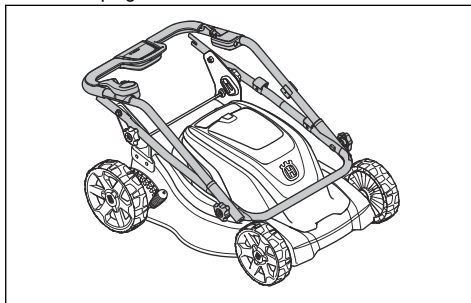


3. Desserrez les boutons inférieurs.

4. Faites glisser les boutons jusqu'aux extrémités inférieures des rainures sur le côté gauche et le côté droit de la machine.



5. Pliez la poignée vers l'avant.



Transport

- La législation sur les marchandises dangereuses s'applique aux batteries au lithium-ion fournies.
- Les exigences spécifiques au transport commercial indiquées sur l'emballage et les étiquettes doivent être respectées.
- Assurez-vous de toujours respecter la législation sur les matières dangereuses lorsque vous préparez le produit pour le transport. Des réglementations locales peuvent s'appliquer.
- Retirez toujours la batterie lorsque vous déplacez le produit.
- Posez du ruban adhésif sur les connecteurs de batterie et assurez-vous que la batterie ne puisse pas bouger pendant le transport.
- Sécurisez le produit pendant le transport.

Remisage

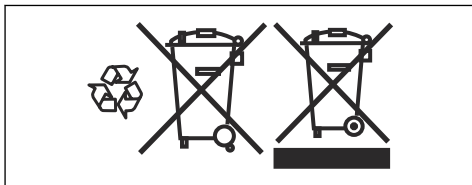
- Retirez toujours la batterie lorsque vous entreposez le produit.
- Pour éviter tout accident, assurez-vous que la batterie n'est pas reliée au produit au moment du remisage.
- Conservez le chargeur de batterie dans un endroit sec et fermé.
- Conservez la batterie et le chargeur de batterie dans un endroit sec, à l'abri de l'humidité et du gel.
- Débranchez la batterie du chargeur lors du remisage.
- Ne conservez pas la batterie dans un endroit présentant un risque d'électricité statique. Ne conservez pas la batterie dans une boîte métallique.
- Entreposez la batterie dans un endroit où la température est comprise entre 5 °C et 25 °C, à l'abri du soleil.

- Entreposez le chargeur de batterie dans un endroit où la température est comprise entre 5 °C et 45 °C, à l'abri du soleil.
- Assurez-vous que la batterie est chargée entre 30 % et 50 % avant de la remettre pendant de longues périodes.
- Conservez le produit, la batterie et le chargeur de batterie dans un endroit verrouillé, hors de portée des enfants et des personnes non autorisées.
- Nettoyez le produit et effectuez un entretien complet avant de remettre le produit pendant de longues périodes.

Mise au rebut

Les symboles figurant sur le produit ou l'emballage indiquent que ce produit ne peut pas être traité comme un déchet domestique ordinaire. Il doit être déposé dans un site de recyclage prévu pour la récupération d'équipements électriques et électroniques.

En prenant soin correctement de ce produit, vous contribuez à compenser l'éventuel effet négatif sur l'environnement et les personnes, qui autrement pourrait être engendré par la mauvaise gestion de la mise au rebut du produit. Pour obtenir de plus amples informations sur le recyclage de ce produit, contactez votre municipalité, votre service des ordures ménagères ou le magasin où vous avez acheté ce produit.



Caractéristiques techniques

Caractéristiques techniques LC 141iV, LC 141i

	LC 141iV	LC 141i
Moteur de coupe		
Type de moteur	BLDC (sans balais) 36 V	BLDC (sans balais) 36 V
Vitesse du moteur - SavE, tr/min	2 700	2 700
Vitesse du moteur - nominale, tr/min	3 100	3 100
Vitesse du moteur - charge élevée, tr/min	3 700	3 700
Sortie du moteur - max. kW	0,8	0,8
Sortie moteur - nominale, kW	0,55	0,55
Moteur d'entraînement		

	LC 141IV	LC 141i
Sortie moteur - nominale, kW	0,25	NA
Vitesse de marche, km/h	3,0 - 4,5	NA
Niveaux de réglage de la vitesse	4	NA
Poids		
Poids sans batterie, kg	21,5	18,6
Batterie ⁶⁴		
Type de batterie	Gamme de produits à batterieHusqvarna	Gamme de produits à batterieHusqvarna
Durée de fonctionnement de la batterie		
Autonomie de la batterie, min, (fonctionnement libre) avec fonction SavE activée et une batterie Husqvarna de 5,2 Ah (BLi200).	77	77
Autonomie de la batterie, min, (fonctionnement libre) avec mode standard activé et une batterie Husqvarna de 5,2 Ah (BLi200).	45	45
Émissions sonores ⁶⁵		
Niveau de puissance sonore, mesuré dB(A)	88	88
Niveau de puissance acoustique, garanti L _{WA} dB(A)	89	89
Niveaux sonores ⁶⁶		
Niveau de pression sonore à l'oreille de l'utilisateur, dB(A)	83	83
Niveaux de vibrations ⁶⁷		
Poignée, m/s ²	2,0	2,0
Coupe		
Hauteur de coupe, en mm	25-70	25-70
Largeur de coupe, cm	41	41
Lame, numéro d'article	Collecteur - 5011716-01	Collecteur - 5011716-01
Contenance de l'ensacheur, en litres	50	50

⁶⁴ Pour obtenir un fonctionnement et des résultats optimaux, la batterie BLi200 Husqvarna est recommandée.

⁶⁵ Émissions sonores dans l'environnement mesurées comme puissance sonore (L_{WA}) selon la directive européenne CE 2000/14/CE.

⁶⁶ Les données reportées pour le niveau de pression sonore montrent une dispersion statistique typique (déviat-ion standard) de 1,2 dB(A).

⁶⁷ Les données reportées pour le niveau de vibrations montrent une dispersion statistique typique (déviat-ion standard) de 0,2 m/s².

Batteries agréées	Marque	Type	Capacité de la batterie, Ah	Tension, V	Poids, lb/kg
BLi10	Husqvarna	Lithium-ion	2,0	36	1,8/0,8
BLi100	Husqvarna	Lithium-ion	2,6	36	1,9/0,8
BLi20	Husqvarna	Lithium-ion	4,0	36	2,7/1,2
BLi200	Husqvarna	Lithium-ion	5,2	36	2,8/1,3
BLi300	Husqvarna	Lithium-ion	9,4	36	4,1/1,9

Chargeurs agréés pour les batteries spécifiées,	Marque	Tension d'entrée, V	Fréquence, Hz	Puissance, W
QC80	Husqvarna	100-240	50-60	80
QC80F	Husqvarna	12	0	80
QC250	Husqvarna	220-240	50	250
QC330	Husqvarna	100-240	50-60	330
QC500	Husqvarna	100-240	50-60	500

Caractéristiques techniques LC 141C

LC 141C	
Moteur	
Type de moteur	Moteur série CA
Vitesse du moteur - nominale, tr/min	3 200
Puissance	1800 W
Source d'alimentation	Électrique sans câble
Câble d'alimentation (inclus pour le marché britannique uniquement)	
Type de câble	Câble de rallonge 16M
Poids, kg	1,6
Poids	
Poids, kg	20,4
Émissions sonores ⁶⁸	
Niveau de puissance sonore, mesuré dB(A)	93
Niveau de puissance acoustique, garanti L _{WA} dB(A)	95
Niveaux sonores ⁶⁹	

⁶⁸ émissions sonores dans l'environnement mesurées comme puissance sonore (L_{WA}) selon la directive européenne CE 2000/14/CE.

⁶⁹ Les données reportées pour le niveau de pression sonore montrent une dispersion statistique typique (déviation standard) de 1,4 dB(A).

	LC 141C
Niveau de pression sonore à l'oreille de l'utilisateur, dB(A)	85
Niveaux de vibrations ⁷⁰	
Poignée, m/s ²	2,0
Coupe	
Hauteur de coupe, en mm	25-70
Largeur de coupe, cm	41
Lame, numéro d'article	Collecte 5011716-01
Contenance de l'ensacheur, en litres	50

⁷⁰ Les données reportées pour le niveau de vibrations montrent une dispersion statistique typique (déviatoin standard) de 0,2 m/s².

Déclaration de conformité CE

Déclaration de conformité CE

Nous, **Husqvarna AB**, SE-561 82 Huskvarna, Suède, tél. : +46-36-146500, déclarons que les **tondeuses Husqvarna LC 141iV et LC 141i** à partir des numéros de série 2018XXXXXXX et **Husqvarna LC 141C 2015XXXXXXX** sont conformes aux dispositions des DIRECTIVES DU CONSEIL :

- du 8 juin 2011 « relative à la limitation de l'utilisation de certaines substances dangereuses » **2011/65/UE**
- du 17 mai 2006 « relative aux machines » **2006/42/CE**
- du 26 février 2014 « relative à la compatibilité électromagnétique » **2014/30/UE**
- du 8 mai 2000 « relative aux émissions sonores dans l'environnement » **2000/14/CE**

Pour toute information relative aux émissions sonores, reportez-vous au chapitre Données techniques.

Les normes suivantes ont été appliquées pour la certification de Husqvarna LC 141iV et LC 141i : **IEC 60335-2-77:2002, IEC 60335-1:2010+A1:2013, EN 55014-1:2017, EN 55014-2:2015, EN 61000-3-2:2014, EN 61000-3-3:2013, EN 62233:2008**

Les normes suivantes ont été appliquées pour la certification de Husqvarna et LC 141C : **EN 60335-1:2012+A11:2014, EN 60335-2-77:2010, EN 62233:2008, EN 55014-1:2017+A11, EN 55014-2:2015, EN 61000-3-2:2019, EN 61000-3-11:2019**

L'organisme notifié : **0404, RISE SMP Svensk Maskinprovning AB, Box 7035, SE-750 07 Uppsala** a effectué une évaluation de conformité conformément à l'annexe VI de la directive 2000/14/CE.

Huskvarna, 2020-10-13



Claes Losdal, Directeur du développement/Articles de jardinage (Représentant autorisé d'Husqvarna AB et responsable de la documentation technique.)

Sadržaj

Uvod.....	282	Rješavanje problema.....	302
Sigurnost.....	285	Prijevoz, spremanje i zbrinjavanje.....	303
Sastavljanje.....	293	Tehnički podaci.....	305
Rad.....	295	Izjava o sukladnosti EC.....	308
Održavanje.....	300		

Uvod

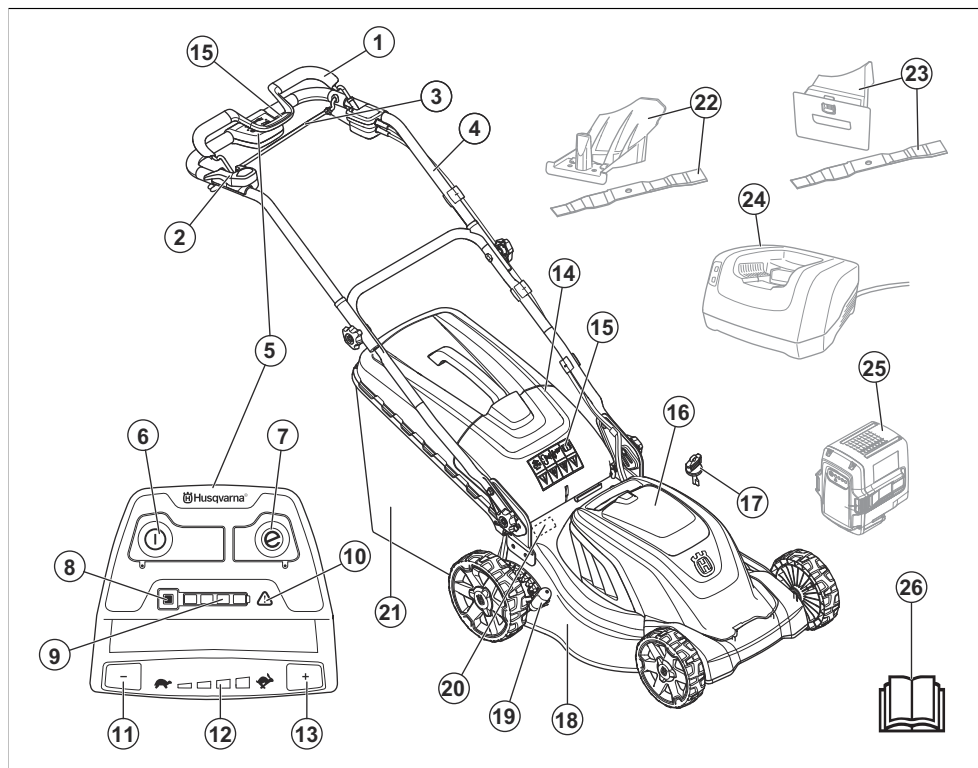
Opis proizvoda

Proizvod je rotacijska kosilica za travu kojom upravlja pješak. Trava se skuplja u sakupljaču trave. Uklonite sakupljač trave kako biste omogućili izbacivanje trave na stražnjoj strani. Postavite komplet za sječku (dodatna oprema) kako biste travu rezali u gnojivo.

Namjena

Proizvod upotrebljavajte za rezanje trave. Proizvod nemojte upotrebljavati za druge zadatke.

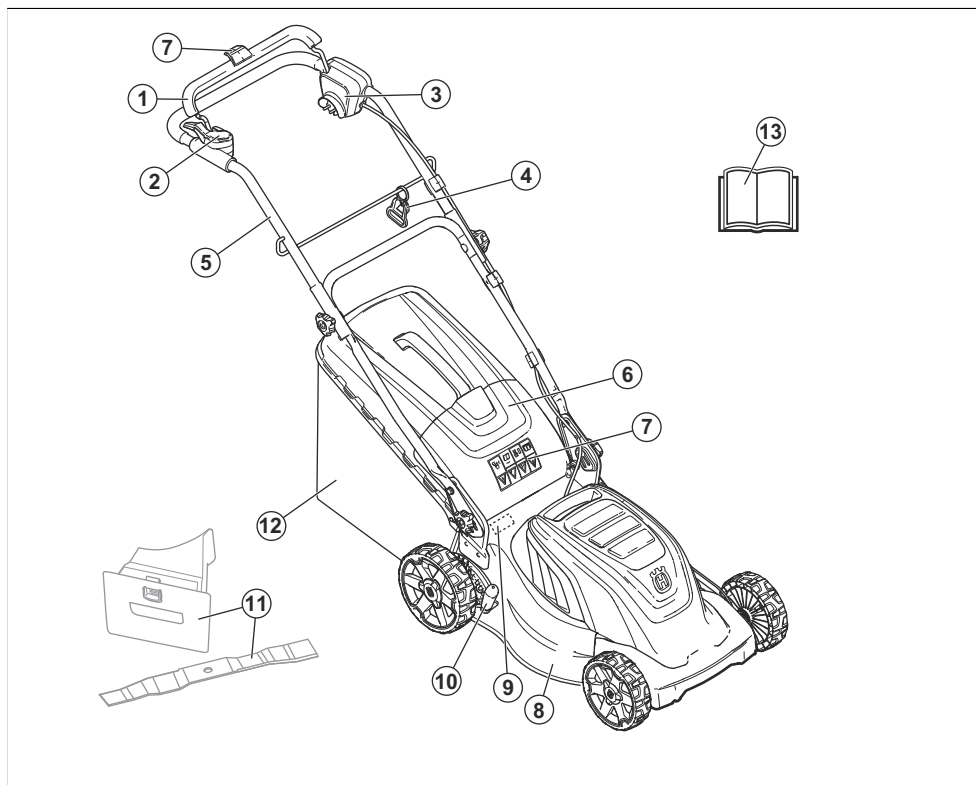
Pregled proizvoda LC 141iV / LC 141i



1. Ručica kočnice motora
2. Blokada pokretanja
3. Poluga pogona (LC 141iV)
4. Ručka / šipka
5. Upravljačka ploča
6. Gumb za UKLJUČIVANJE / ISKLJUČIVANJE
7. Gumb savE
8. Gumb indikatora baterije

- | | |
|--|--|
| 9. Indikator napunjenosti baterije | 18. Pokrov noža |
| 10. Indikator upozorenja (LED DIODA ZA POGREŠKU) | 19. Poluga za visinu rezanja |
| 11. Gumb za smanjenje brzine (LC 141iV) | 20. Natpisna pločica |
| 12. Indikator razine broja okretaja (LC 141iV) | 21. Sakupljač trave |
| 13. Gumb za povećanje brzine (LC 141iV) | 22. Komplet za sječku (dodatna oprema za LC 141iV) |
| 14. Stražnji poklopac | 23. Komplet za sječku (dodatna oprema za LC 141i) |
| 15. Znakovi | 24. Punjač baterije (dodatna oprema) |
| 16. Poklopac baterije | 25. Baterija (dodatna oprema) |
| 17. Sigurnosni ključ | 26. Korisnički priručnik |

Pregled proizvoda LC 141C



- | | |
|---|--------------------------|
| 1. Ručica motorne kočnice | 12. Sakupljač trave |
| 2. Blokada pokretanja | 13. Korisnički priručnik |
| 3. Utičnica za električni kabel | |
| 4. Držač električnog kabela | |
| 5. Ručka / šipka | |
| 6. Stražnji poklopac | |
| 7. Znakovi | |
| 8. Pokrov noža | |
| 9. Natpisna pločica | |
| 10. Poluga za visinu rezanja | |
| 11. Priključak za sječku (dodatna oprema) | |

Simboli na proizvodu



Ako se proizvod ne upotrebljava pažljivo i sigurno, može doći do ozljede ili smrti

rukovatelja ili promatrača.



Pročitajte korisnički priručnik i dobro usvojite sadržaj prije korištenja proizvoda.



Osobe i životinje držite na sigurnoj udaljenosti od radnog područja.



Pazite na izbačene predmete i odbijanja.



Upozorenje: Ruke i stopala držite podalje od rotirajućeg noža.



Upozorenje: Šake i stopala držite podalje od rotirajućih dijelova.



Prije održavanja proizvoda izvadite sigurnosni ključ. (model LC 141iV/LC 141i)



Odvojite proizvod od električne utičnice prije održavanja proizvoda. (model LC 141C)

IPX1

IPX1 – Ovaj proizvod ima zaštitu od kapanja vode (model LC 141iV/ LC 141i)

IPX4

IPX4 – Ovaj proizvod ima zaštitu od prskanja vode (model LC 141C)



Ne dopuštajte da kiša pada po ovom proizvodu (model LC 141iV/ LC 141i)



Upozorenje: Nemojte raditi s ovim proizvodom preko kabela napajanja jer tako možete uzrokovati električni udar ili oštećenje proizvoda. (model LC 141C)



Ovaj proizvod u suglasnosti je s važećim direktivama EZ.



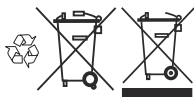
Stvaranje buke u okoliš u skladu s EZ direktivom. Emisije proizvoda navedene su u poglavlju s tehničkim podacima i na naljepnici.



Istosmjerna struja. 36 V



Dvostruka izolacija.



Reciklirajte ovaj proizvod u reciklažnom dvorištu za električnu i elektroničku opremu. (Primjenjuje se samo na Europu)



Postupak pokretanja za model LC 141iV/ LC 141i: pritisnite gumb za UKLJUČIVANJE/ISKLJUČIVANJE, otpustite blokadu pokretanja i pritisnite ručicu motorne kočnice.



Postupak pokretanja za model LC 141C: otpustite blokadu pokretanja i pritisnite ručicu motorne kočnice.



Za zaustavljanje otpustite ručicu motorne kočnice.



Polako



Brzo



Kôd koji se može skenirati

Napomena: Drugi simboli/naljepnice na proizvodu odnose se na zahtjeve za certifikaciju na pojedinim tržištima.

Pouzdanost proizvoda

Sukladno zakonima o pouzdanosti proizvoda nismo odgovorni za oštećenja uzrokovana našim proizvodima ako je:

- proizvod nepravilno popravljen
- proizvod popravljen dijelovima koje nije proizveo proizvođač ili nemaju odobrenje proizvođača
- proizvod ima dodatnu opremu koje nije proizveo proizvođač ili nemaju odobrenje proizvođača
- proizvod nije popravljen u odobrenom servisnom centru ili kod ovlaštene osobe.

Sigurnost

Sigurnosne definicije

Upozorenjima, oprezima i napomenama naglašavaju se posebno važni dijelovi priručnika.



UPOZORENJE: Koristi se kada nepoštivanje uputa iz priručnika može uzrokovati smrt ili ozljede rukovatelja ili promatrača.



OPREZ: Koristi se kada nepoštivanje uputa iz priručnika može uzrokovati oštećenje proizvoda ili drugih materijala u neposrednoj blizini.

Napomena: Koristi se prikaz neophodnih dodatnih informacija za zadanu situaciju.

Opće sigurnosne upute



UPOZORENJE: Prije korištenja proizvoda pročitajte upozoravajuće upute u nastavku.

- Proizvod je opasan ako ga koristite nepravilno ili ako niste oprezni. Nepoštivanje sigurnosnih uputa može uzrokovati ozljede ili smrt.
- Proizvod tijekom rada proizvodi elektromagnetsko polje. To polje u određenim okolnostima može ometati aktivne ili pasivne medicinske implantate. Za smanjenje opasnosti od smrtonosne ozljede osobama s medicinskim implantatima prije korištenja uređaja preporučujemo obraćanje liječniku i proizvođaču medicinskog implantata.
- Uvijek budite pažljivi i razumni. Ako u posebnim situacijama niste sigurni u način upotrebe stroja, prije nastavka stanite i obratite se svom distributeru tvrtke Husqvarna.
- Imajte na umu kako se rukovatelj smatra odgovornim za nezgode koje uključuju druge osobe ili njihovo vlasništvo.

- Proizvod održavajte čistim. Znakovi i naljepnice moraju biti jasno čitljivi.
- Djeci ili osobama koje nisu upoznate s ovim uputama ne dopuštajte da upotrebljavaju uređaj. Lokalni propisi mogu ograničavati starosnu dob operatora
- Osobu smanjenih fizičkih ili mentalnih sposobnosti obavezno nadzirite tijekom uporabe proizvoda. Cijelo vrijeme mora biti prisutna odgovorna odrasla osoba.
- Proizvod nemojte koristiti kada ste umorni, bolesni ili pod utjecajem alkohola, droge ili lijekova. To negativno utječe na vaš vid, pažnju, koordinaciju i prosudbu.
- Nemojte upotrebljavati neispravni proizvod.
- Nemojte izmjenjivati proizvod ili ga upotrebljavati ako postoji mogućnost da je izmijenjen.

Sigurnost na radnom mjestu



UPOZORENJE: Prije korištenja proizvoda pročitajte upozoravajuće upute u nastavku.

- Prije upotrebe proizvoda iz radnog područja uklonite sve

- predmete poput grana, prutova i kamenja.
- Objekti koji udare u reznu opremu mogu biti izbačeni te uzrokovati ozljede ili oštećenja. Promatrače i životinje držite na sigurnoj udaljenosti od proizvoda.
 - Proizvod nikada nemojte upotrebljavati u lošim vremenskim uvjetima kao što su magla, kiša, jak vjetar, intenzivna hladnoća i pri opasnosti od grmljavinskog nevremena. Upotreba proizvoda po lošem vremenu ili na vlažnim odnosno mokrim lokacijama zamorna je. Pri lošem vremenu mogu nastati opasni uvjeti, primjerice skliske površine.
 - Pazite na osobe, predmete i situacije koje mogu onemogućiti siguran rad proizvoda.
 - Pazite na prepreke kao što su korijenje, kamenje, prutovi, jame i jarci. Visoka trava može sakrivati prepreke.
 - Košenje trave na nagibima može biti opasno. Nemojte kositi ekstremno strme padine. Proizvod nemojte upotrebljavati na tlu s nagibom većim od 15°.

- Prilikom promjene smjera kretanja na padinama budite izuzetno oprezni. Proizvod upotrebljavajte poprečno preko nagiba. Nemojte se kretati prema gore i dolje.
- Oprezno prilazite skrivenim kutovima i predmetima koji onemogućavaju jasan pregled.

Sigurnost pri radu



UPOZORENJE: Prije upotrebe proizvoda pročitajte upozoravajuće upute u nastavku.

- Proizvod upotrebljavajte samo za košenje travnjaka. Upotreba za druge zadatke nije dopuštena.
- Upotrebljavajte osobnu zaštitnu opremu. Pogledajte *Oprema za osobnu zaštitu na stranici 289*.
- Provjerite znate li brzo zaustaviti motor u slučaju nužde.
- Proizvod nemojte pogoniti na kiši ni u mokrim uvjetima. Ako voda prodre u proizvod, povećava se opasnost od električnog udara.
- Proizvod upotrebljavajte samo ako su nož i svi štitnici pravilno postavljeni. Nepravilno postavljen nož

- može se otpustiti i uzrokovati osobne ozljede.
- Pazite da nožem ne udarate u predmete poput kamenja ili korijenja. Time možete oštetiti nož i saviti vratilo motora. Savijena osovina uzrokuje snažne vibracije i vrlo visoku opasnost od otpuštanja noža.
 - Ako nožem udarite u predmet ili osjetite vibracije, odmah zaustavite proizvod. Zaustavite motor, sigurnosni ključ postavite na 0 i izvadite bateriju (model LC 141iV i LC 141i) ili odspojite kabel napajanja (model LC 141C). Pregledajte je li proizvod oštećen. Popravite oštećenja ili popravak prepustite ovlaštenom serviseru.
 - Ručicu kočnice motora nikada trajno nemojte pričvrstiti za ručku kada je motor u pogonu.
 - Proizvod postavite na stabilnu, ravnu površinu i pokrenite ga. Noževi ne smiju udarati u tlo ili druge predmete.
 - Tijekom rukovanja proizvodom obavezno budite iza njega.
 - Tijekom rukovanja proizvodom svi kotači trebaju biti na tlu, a obje ruke na ručki. Ruke i stopala držite podalje od rotirajućih noževa.
 - Proizvod nemojte naginjati kada je motor pokrenut.
 - Budite pažljivi pri povlačenju proizvoda unatrag.
 - Proizvod nikada nemojte podizati kada je motor pokrenut. Ako morate podići proizvod, prvo zaustavite motor, sigurnosni ključ postavite na 0 i izvadite bateriju (model LC 141iV i LC 141i) ili odspojite kabel napajanja (model LC 141C).
 - Tijekom rada s proizvodom nemojte hodati unatrag.
 - Zaustavite motor prilikom prelaska preko velikih površina bez trave, primjerice šljunčanih, kamenih i asfaltnih staza.
 - Nemojte trčati s proizvodom kada je motor pokrenut. Obavezno hodajte tijekom rada s proizvodom.
 - Prije promjene visine rezanja zaustavite motor. Nemojte provoditi prilagodbe s pokrenutim motorom.
 - Proizvod s pokrenutim motorom ne ispuštajte iz vida. Zaustavite motor i provjerite je li rezna oprema zaustavljena.

Sigurnosne upute za rad

Oprema za osobnu zaštitu



UPOZORENJE: Prije upotrebe proizvoda pročitajte upozoravajuće upute u nastavku.

- Oprema za osobnu zaštitu ne može u potpunosti spriječiti ozljede, no smanjuje stupanj ozljede u slučaju nezgode. Pri odabiru odgovarajuće opreme zatražite pomoć ovlaštenog trgovca.
- Nosite čizme otporne na klizanje ili cipele za teške uvjete rada. Nemojte nositi otvorene cipele ili biti bos.
- Nosite teške, duge hlače.
- Prema potrebi nosite zaštitne rukavice, primjerice prilikom pričvršćivanja, pregleda ili čišćenja rezne opreme.

Sigurnosne upute za proizvod



UPOZORENJE: Prije korištenja proizvoda pročitajte upozoravajuće upute u nastavku.

- Nemojte koristiti proizvod s oštećenim zaštitnim uređajima.
- Redovito pregledavajte sigurnosne uređaje. Ako su sigurnosni uređaji neispravni, obratite se Husqvarna ovlaštenom trgovcu.

Provjera reznog poklopca

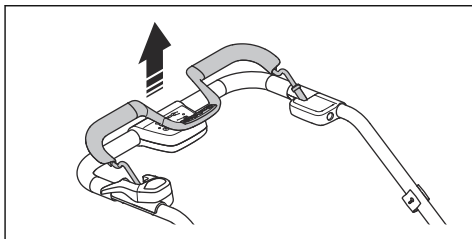
Rezni poklopac smanjuje vibriranje proizvoda te opasnost od ozljede nožem.

- Provjerite ima li na pokrovu noža oštećenja, primjerice napuklina.

Ručica kočnice motora

Ručicom kočnice motora zaustavljate motor. Motor se zaustavlja po otpuštanju ručice kočnice motora.

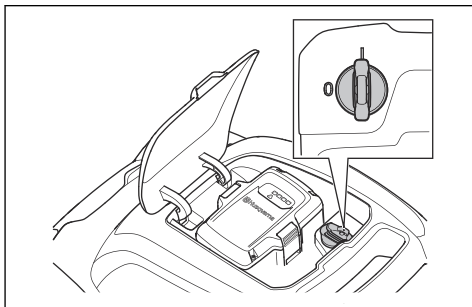
Za provjeru ručice kočnice motora pokrenite motor i potom otpustite ručicu kočnice motora. Ako se motor ne zaustavi za 3 sekunde, podesite kočnicu motora kod servisera tvrtke Husqvarna.



Sigurnosni ključ (modeli LC 141IV i LC 141I)

Sigurnosni ključ nalazi se ispod poklopca baterije. Sigurnosni ključ priključuje bateriju koja napaja motor.

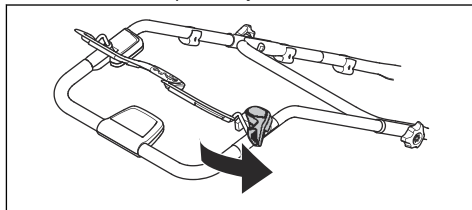
- Pokrenite i zaustavite motor kako biste provjerili sigurnosni ključ.
- Ako sigurnosni ključ ispravno funkcionira, motor se pokreće samo kad je ključ u položaju 1.



Pregled blokade pokretanja

Ispitajte blokadu pokretanja kako biste se uvjerali da sprječava pogon motora.

1. Ručicu kočnice motora gurnite prema upravljaču. Blokada pokretanja zaustavlja pomak.
2. Istisnite blokadu pokretanja.

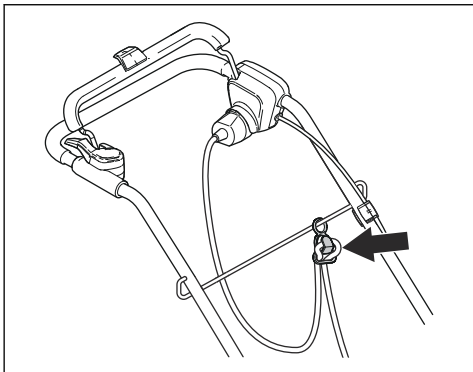


3. Otpustite blokadu pokretanja i provjerite vraća li se u početni položaj.

Uporaba držača kabela napajanja (model LC 141C)

Držač kabela napajanja smanjuje naprezanje na strujnoj utičnici i kabele napajanja. Držač kabela napajanja također smanjuje i rizik od vašeg pada.

1. Savijte električni kabel kako biste oblikovali malu petlju.
2. Stavite tu petlju u provrt u držaču kabela napajanja.
3. Ovijte petlju oko kukice.
4. Povucite kabel napajanja kako biste zategnuli petlju oko kukice.



Sigurnost baterije



UPOZORENJE: Prije upotrebe proizvoda pročitajte upozoravajuće upute u nastavku.

- Opasnost od strujnog udara. Polove baterije nemojte spajati s ključevima, kovanicama, vijcima ili drugim metalom. Tako može doći do kratkog spoja baterije.
 - Nemojte umetati predmete u zračne utore baterije.
 - Bateriju zaštitite od sunčeve svjetlosti, vrućine i otvorenog plamena. Baterija može eksplodirati i uzrokovati opekline i/ili kemijske opekline.
 - Zaštitite bateriju od kiše i mokrih uvjeta.
 - Zaštitite bateriju od mikrovalova i visokog tlaka.
 - Bateriju nemojte rastavljati ili razbijati.
 - Ako baterija počne propuštati, nemojte dopustiti da vam tekućina dospije na kožu ili u oči. Ako ste dodirnuli tekućinu, očistite to mjesto velikom količinom vode i zatražite medicinsku pomoć.
 - Bateriju upotrebljavajte u rasponu temperatura od -10 °C i 40 °C.
 - Bateriju ili punjač baterije nikada nemojte čistiti vodom. Pogledajte *Za čišćenje baterije i punjača baterija na stranici 301.*
- Upotrebljavajte punjive baterije tvrtke Husqvarna samo za napajanje odgovarajućih proizvoda tvrtke Husqvarna. Bateriju nemojte upotrebljavati za napajanje drugih proizvoda jer postoji opasnost od ozljeda.
 - Nemojte koristiti baterije koje nisu punjive.

- Nemojte upotrebljavati neispravnu ili oštećenu bateriju.
- Baterije skladištite dalje od metalnih predmeta poput čavala, kovanica i nakita.

Sigurnost punjača baterije



UPOZORENJE: Prije upotrebe proizvoda pročitajte upozoravajuće upute u nastavku.

- Punjače baterija QC upotrebljavajte samo za punjenje zamjenskih baterija tvrtke Husqvarna.
- Opasnost od strujnog udara ili kratkog spoja. Nemojte umetati predmete u zračne utore punjača. Nemojte rastavljati punjač baterije. Priključke baterije nemojte spajati metalnim predmetima. Upotrebljavajte odobrenu mrežnu utičnicu.
- Proizvod tijekom rada proizvodi elektromagnetsko polje. To polje u određenim okolnostima može ometati aktivne ili pasivne medicinske implantate. Za smanjenje opasnosti od uvjeta koji mogu uzrokovati ozljede ili smrt, osobama s medicinskim implantatima prije korištenja ovog uređaja preporučujemo obraćanje liječniku i proizvođaču medicinskog implantata.
- Redovno provjeravajte je li kabel za napajanje punjača baterije neoštećen te je li ispucao.
- Punjač baterije nemojte podizati za električni kabel. Za odspajanje punjača baterije od zidne utičnice izvucite utikač. Nemojte povlačiti kabel za napajanje.
- Kabel za napajanje i produžne kabele držite podalje od vode, ulja i oštarih rubova. Kabel nemojte prignječiti vratima, ogradama i sl. To može narinuti napon na punjač.
- Punjač baterije nemojte čistiti vodom.
- Punjač baterije mogu koristiti djeca od 8 godina i starija te osobe s umanjenim fizičkim, osjetilnim ili mentalnim sposobnostima ili nedostatkom iskustva i znanja ako je osiguran njihov nadzor ili ako su upućeni u sigurno korištenje uređaja te razumiju obuhvaćene opasnosti. Djeca se ne smiju igrati punjačem baterije. Čišćenje i održavanje ne smiju provoditi djeca bez nadzora.

- Punjačem baterije nije dopušteno puniti nepunjive baterije.
- Punjač baterije nemojte upotrebljavati u blizini zapaljivih materijala ili materijala koji mogu uzrokovati koroziju. Nemojte pokrivati punjač baterije. Ako dođe do razvoja dima ili požara, odvojite utikač punjača baterije.
- Nemojte upotrebljavati neispravan ili oštećen punjač baterije.
- Bateriju puniti isključivo u dobro prozračenom zatvorenom prostoru bez izravne sunčeve svjetlosti. Bateriju nije dopušteno puniti u vlažnim uvjetima.

Sigurno korištenje kabela za napajanje

Za model LC 141C.

- Preporučuje se korištenje zaštitnog uređaja diferencijalne struje (Residual Current Device, R.C.D.) sa strujom okidanja manjom od 30 mA. Čak i uz upotrebu uređaja RCD potpuna sigurnost se ne može zajamčiti pa je potrebno stalno se pridržavati sigurnih radnih postupaka. Provjerite svoj R.C.D. svaki put kad se njime koristite.

- Ako dođe do presijecanja kabela napajanja ili oštećenja izolacije, kabel odmah izvucite iz utičnice.
- Nemojte dodirivati presječni ili oštećeni kabel napajanja dok ga ne izvučete iz utičnice za napajanje.
- Presječni ili oštećeni kabel nemojte popravljati. Zamijenite ga drugim.

Sigurnosne upute za održavanje



UPOZORENJE: Prije korištenja proizvoda pročitajte upozoravajuće upute u nastavku.

- Za model LC 141iV, LC 141i: Kako biste spriječili nenamjerno pokretanje tijekom održavanja, okrenite sigurnosni ključ na 0 i uklonite bateriju. Pričekajte najmanje 5 sekundi prije početka održavanja.
- Za model LC 141C: Za sprječavanje nenamjernog pokretanja tijekom održavanja odspojite kabel napajanja.
- Pravilno provedite radove održavanja kako biste produljili vijek trajanja proizvoda i smanjili opasnost od nezgoda. Profesionalna održavanja prepustite odobrenom serviseru. Za više informacija obratite se najbližem serviseru.

- Provodite samo održavanje opisano u ovom korisničkom priručniku. Opsežnije radove obavezno provodi ovlašteni serviser.
- Tijekom rada s reznom opremom nosite rukavice na teške uvjete rada. Nož je vrlo oštar i lako dolazi do posjekotina.
- Rezne rubove održavajte naoštenima i čistima kako biste osigurali najsigurnije radne značajke.
- Redovno pregledavajte proizvod i provodite potrebne prilagodbe i popravke kod servisera.
- Zamijenite oštećene, istrošene ili polomljene dijelove.
- Pridržavajte se uputa za zamjenu dodatne opreme. Upotrebljavajte isključivo dodatnu opremu proizvođača.
- Kada ih ne upotrebljavate, proizvod, bateriju i punjač baterije skladištite odvojeno u zatvorenom, suhom i zaključanom prostoru. Djeci i neovlaštenim osobama onemogućite pristup proizvodu, bateriji i punjaču.

Sastavljanje

Uvod



UPOZORENJE: Prije sastavljanja proizvoda pročitajte poglavlje o sigurnosti.

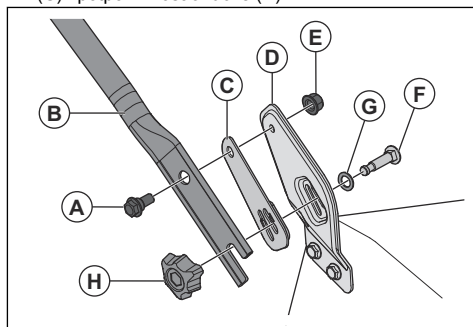


UPOZORENJE: Za model LC 141iV, LC 141i: Kako biste spriječili nenamjerno pokretanje pri sastavljanju okrenite sigurnosni ključ na 0, uklonite bateriju i pričekajte najmanje 5 sekundi.

Za model LC 141C: Za sprječavanje nenamjernog pokretanja tijekom sastavljanja odspojite kabel napajanja.

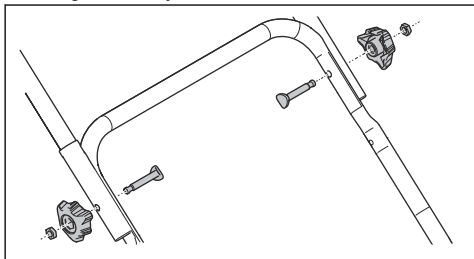
Sastavljanje ručke

1. Gurnite vijak (A) kroz ručku (B), plastičnu podlošku (C) i potporni nosač ručke (D).

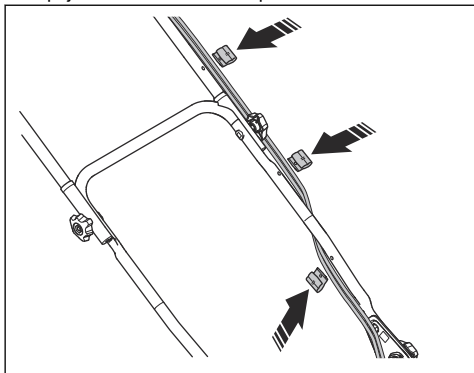


2. Potpuno zategnite maticu (E).
3. Gurnite vijak (F) kroz podlošku (G) i potporni nosač ručke.
4. Zategnite kotačić (H) do kraja.

- Otvore na upravljaču poravnajte s otvorima na donjoj ručki i umetnite vijke, podloške i kotačiće. Kotačiće zategnite do kraja.

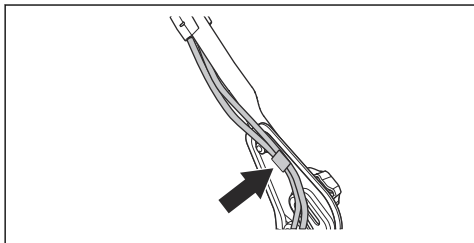


- Spojite kabele na ručku uz pomoć držača kabela.



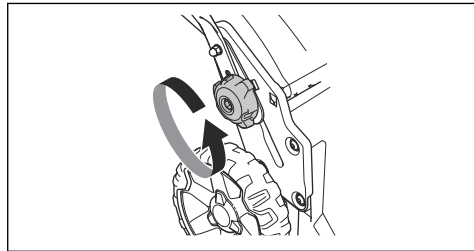
Napomena: Kabeli ne smiju biti previše zategnuti. Prevelika zategnutost može izazvati oštećenja kabela ako se ručica preklopi u položaj za transport.

- Stavite kabele oko kuke na dnu ručke.

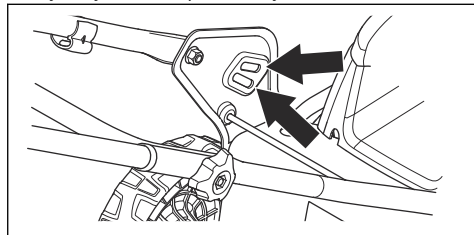


Za prilagođavanje visine ručke

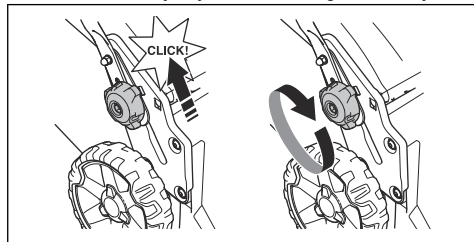
- Otpustite donje vijke.



- Uklonite kotačić, podlošku i vijak s lijeve i s desne strane.
- Ručku možete postaviti na 2 različite visine. Stavite vijak u jedan od 2 prvrtva s lijeve i s desne strane.

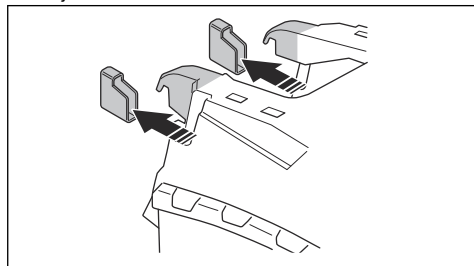


- Ugradite vijke, podloške i kotačiće.
- Pomićite kotačiće gore u smjeru ručke dok se ne zaustave uz škljocaj. Kotačiće zategnite do kraja.

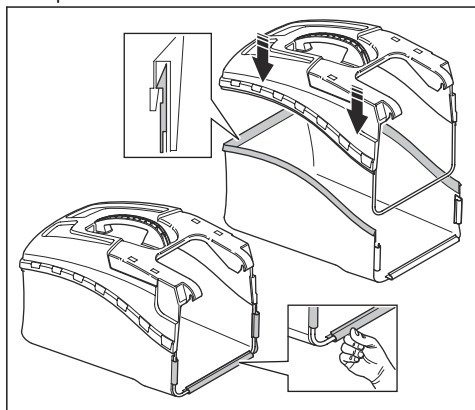


Za montažu sakupljača trave

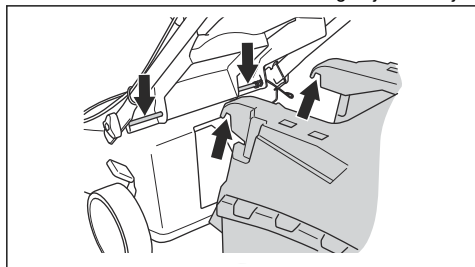
- Gurnite 2 poklopca za transport prema van i prema dolje.



2. Gornji dio sakupljača trave stavite na donji dio sakupljača trave. Okvir sakupljača trave pričvrstite kopčama.

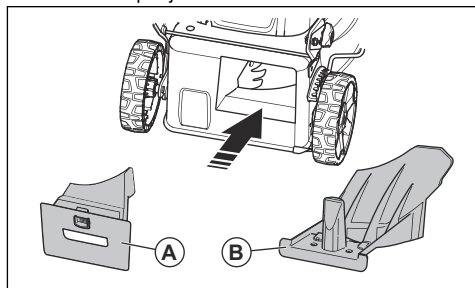


3. Podignite stražnji poklopac.
4. Pričvrstite kuke na hvataču trave za gornji rub šasije.



Za montažu kompleta za usitnjavanje

1. Podignite stražnji poklopac i uklonite sakupljač trave.
2. Priključak za sječku umetnite u kanal za izbacivanje trave. Priključak za sječku tipa A je za LC 141 i LC 141C. Tip B je za LC 141iV.



3. Zatvorite stražnji poklopac.
4. Zamijenite nož kombiniranim nožem, pogledajte *Uklanjanje i zamjena noža na stranici 302*.

Rad

Uvod



UPOZORENJE: Prije rada s proizvodom morate pročitati i usvojiti poglavlje o sigurnosti.

Husqvarna Connect

Husqvarna Connect besplatna je aplikacija za mobilni uređaj. Aplikacija Husqvarna Connect pruža vam dodatne funkcije za proizvod Husqvarna.

- Opširnije informacije o proizvodu.
- Dodatne informacije i pomoć za dijelove i servisiranje proizvoda.

Početak rada sa Husqvarna Connect

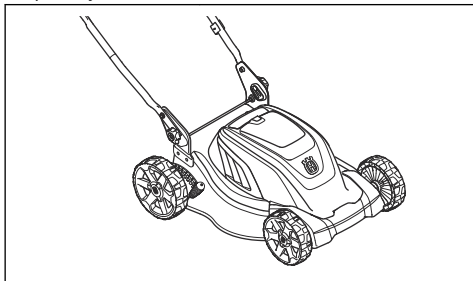
1. Preuzmite aplikaciju Husqvarna Connect na svoj mobilni uređaj.
2. Prijavite se na aplikaciju Husqvarna Connect.

3. Pratite upute u aplikaciji Husqvarna Connect kako biste se spojili i registrirali proizvod.

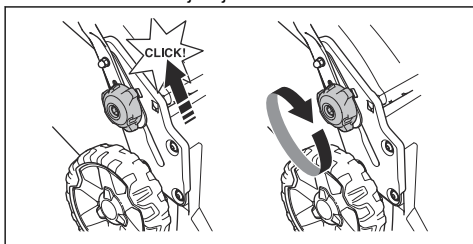
Postavljanje proizvoda u položaj za rad

Ako se ručka stavi u položaj za transport i spremanje (pogledajte *Za postavljanje kosilice u položaj za prijevoz na stranici 303*), postupite na sljedeći način da biste ručku stavili u radni položaj.

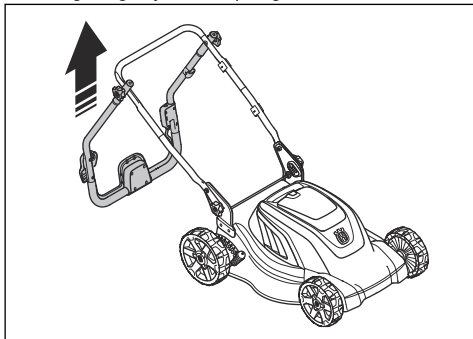
1. Podižite ručku dok se donja ručka ne zaglavi u radni položaj.



2. Pomičite donje kotačiće gore u smjeru ručke dok se ne zaustave uz škljocaj.



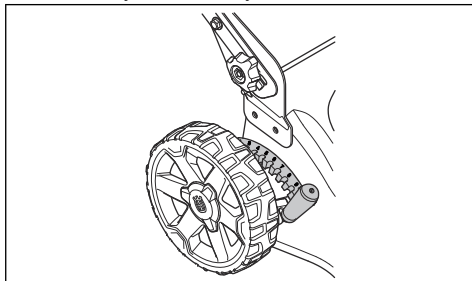
3. Pritegnite kotačiće.
4. Podignite gornju ručku i pritegnite kotačiće.



Za postavljanje visine rezanja

1. Polugu za visinu rezanja pomaknite unatrag kako biste povećali visinu rezanja.

2. Polugu za visinu rezanja pomaknite naprijed kako biste smanjili visinu rezanja.



OPREZ: Visinu rezanja nemojte postaviti prenisko. Noževi mogu udariti u tlo ako površina travnjaka nije ravna.

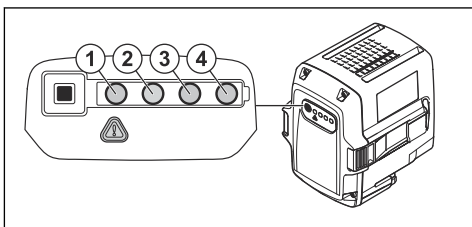
Baterija



UPOZORENJE: Prije upotrebe baterije morate pročitati i usvojiti poglavlje o sigurnosti. Također morate pročitati i usvojiti korisnički priručnik za bateriju i punjač baterije.

Status baterije

Na zaslonu se prikazuje preostali kapacitet baterije te postoje li problemi s baterijom. Kapacitet baterije prikazuje se na 5 sekundi nakon isključenja proizvoda ili pritiskanja gumba indikatora baterije. Kada dođe do pogreške uključuje se simbol upozorenja na bateriji. Pogledajte *Baterija na stranici 302*.



LED indikatori	Status baterije
Svi LED indikatori svijetle	Potpuno napunjena (75 – 100%)
Svijetle indikatori LED 1, LED 2 i LED 3	Baterija je napunjena 50% – 75%
Svijetle indikatori LED 1 i LED 2	Baterija je napunjena 25% – 50%
Svijetli indikator LED 1	Baterija je napunjena 0% – 25%.

LED indikatori	Status baterije
Indikator LED 1 treperi	Baterija je prazna. Napunite bateriju.

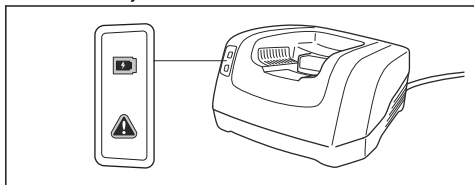
Zamjena baterije

Prije prve upotrebe napunite bateriju. Baterija je pri isporuci kupcu napunjena samo 30%.

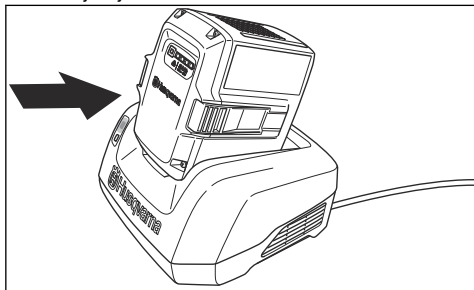
Napomena: Punjač baterije morate spojiti na napon i frekvenciju koji su navedeni na natpisnoj pločici.

Baterija se ne puni ako je temperatura baterije viša od 50 °C. Punjač baterije smanjuje temperaturu baterije prije početka punjenja.

1. Jedan kraj kabela za napajanje punjača baterije priključite na utičnicu na punjaču baterije.
2. Drugi kraj kabela za napajanje punjača baterije priključite na uzemljenu mrežnu utičnicu. LED indikator na punjaču baterije zatreperi jednom zelenom bojom.



3. Postavite bateriju u punjač baterije. Ako je baterija pravilno priključena na punjač baterije, na punjaču se uključuje zeleni indikator.



4. Kada na bateriji svijetle svi LED indikatori, baterija je potpuno napunjena. Bateriju punite najdulje 24 sata.
5. Za odspajanje punjača baterije od mrežne utičnice povucite priključak, ne kabel.
6. Izvadite bateriju iz punjača baterije.

Status punjača baterije

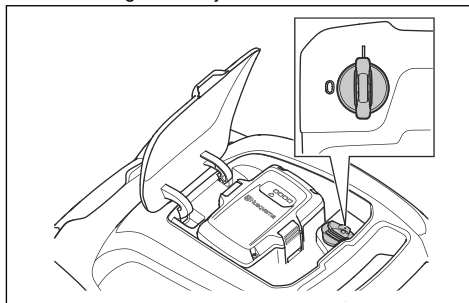
Litij-ionsku bateriju tvrtke Husqvarna možete puniti ili upotrebljavati pri bilo kojoj razini napunjenosti. Baterija nije oštećena. Potpuno napunjena baterija neće se prazniti kada je ostavite u punjaču.

LED zaslon	Stanje punjenja
Indikator LED 1 treperi	0% – 25%
Svijetli indikator LED 1, indikator LED 2 treperi	25% – 50%
Svijetle indikatori LED 1, LED 2, indikator LED 3 treperi	50% – 75%
Svijetle indikatori LED 1, LED 2, LED 3, indikator LED 4 treperi	75% – 100%
Svijetle indikatori LED 1, LED 2, LED 3 i LED 4	Potpuno napunjena

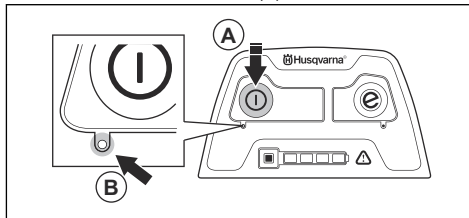
Za rad s LC 141IV i LC 141i

Pokretanje proizvoda

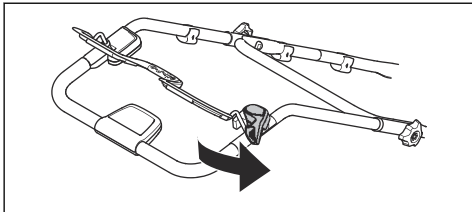
1. Napunjenu bateriju stavite u pretinac za baterije.
2. Okrenite sigurnosni ključ na 1.



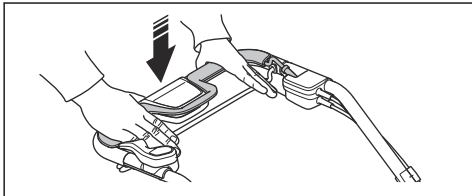
3. Stanite iza proizvoda.
4. Pritisnite gumb za UKLJUČIVANJE/ ISKLJUČIVANJE (A) na upravljačkoj ploči i uključite će se zeleni LED indikator (B).



5. Otpustite blokadu pokretanja.

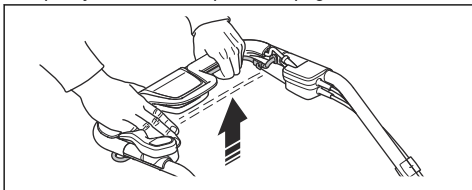


6. Ručicu kočnice motora gurnite prema upravljaču.

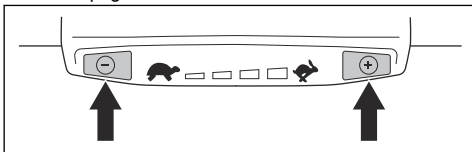


Upotreba pogona na kotačima

- Model LC 141iV. Povucite polugu pogona u smjeru upravljača kako biste pokrenuli pogon.



- Pritisnite + i - na upravljačkoj ploči za postavljanje brzine pogona u 4 koraka.

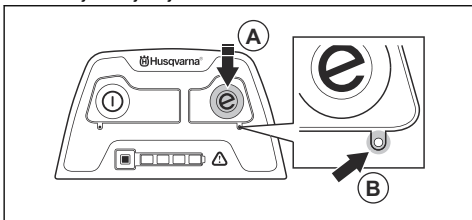


- Otpustite polugu pogona kako biste odspojili pogon, primjerice kada se približavate prepreci.

Upotreba funkcije SavE

Proizvod ima funkciju za uštedu baterije (SavE) koja omogućuje dulje vrijeme rada.

1. Pritisnite gumb SavE (A) kako biste pokrenuli funkciju. Uključuje se zeleni LED indikator.



2. Ponovno pritisnite gumb SavE kako biste prekinuli funkciju. Isključuje se zeleni LED indikator (B).

Funkcija SavE automatski se zaustavlja ako uvjeti na tlu zahtijevaju veću snagu. Funkcija SavE automatski se uključuje kada to dopuste uvjeti na tlu.

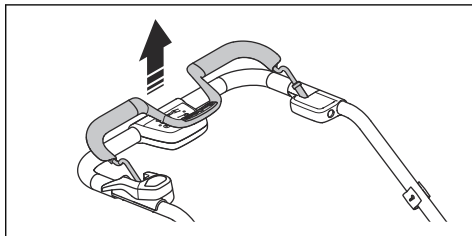
Funkcija za velika opterećenja

Kada proizvodom kosite vlažnu travu, motor automatski povećava broj o/min. Motor se vraća u standardni način rada kada više nije potrebna velika snaga.

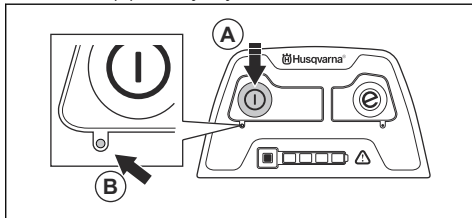
Zaustavljanje proizvoda

Proizvod se automatski zaustavlja ako ga ne upotrebljavate 10 minuta. Prije ostavljanja proizvoda bez nadzora obavezno okrenite sigurnosni ključ na 0.

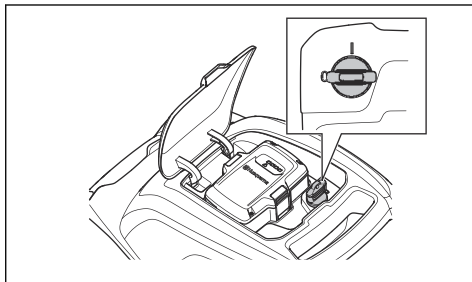
1. Otpustite ručicom kočnice motora kako biste zaustavili motor.



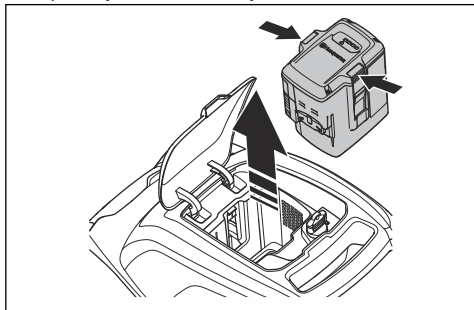
2. Na upravljačkoj ploči pritisnite gumb za UKLJUČIVANJE/ISKLJUČIVANJE (A) i zeleni LED indikator (B) se isključuje.



3. Otvorite poklopac baterije i okrenite sigurnosni ključ na 0.



4. Za uklanjanje baterije pritisnite 2 gumba za otpuštanje i izvadite bateriju.



5. Zamijenite slabu bateriju. Više informacija potražite u *Zamjena baterije na stranici 297.*

Rad sa LC 141C

Odabir odobrenog kabela (LC 141C)

Napomena: Za proizvode koji se koriste u UK koristite isključivo produžni kabal 16M koji se isporučuje s proizvodom. Provjerite informacije u nastavku za sva ostala tržišta.

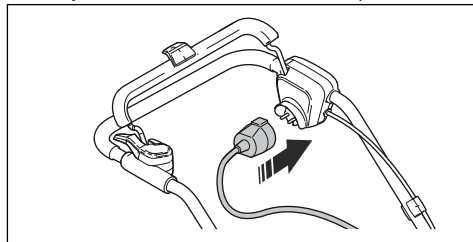
Ako koristite produžne kabele, oni moraju zadovoljavati minimalne poprečne presjke iz tablice u nastavku:

Napon	Duljina kabela	Poprečni presjek
220 – 240 V / 50 Hz	Do 20 m	1,5 mm ²
220 – 240 V / 50Hz	20 – 50 m	2,5 mm ²

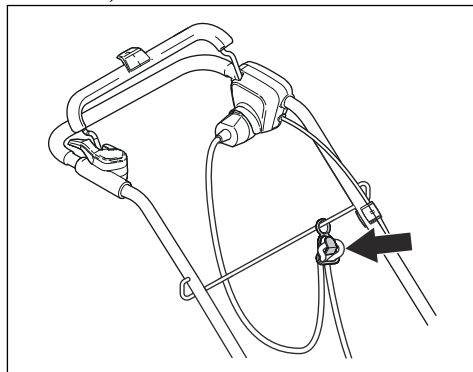
- Mrežni i produžni kabele dostupni su kod lokalnog ovlaštenog servisera za proizvode za korištenje na otvorenom tvrtke Husqvarna.
- Koristite isključivo produžne kabele posebno oblikovane za korištenje na otvorenom i koji ispunjavaju sljedeće specifikacije: Obična guma (60245 IEC 53), obični PVC (60227 IEC 53) ili obični PCP (60245 IEC 57)
- Oštećeni kabal obavezno zamjenjuje proizvođač, serviser ili kvalificirano osoblje kako bi se izbjegla opasnost.

Pokretanje proizvoda

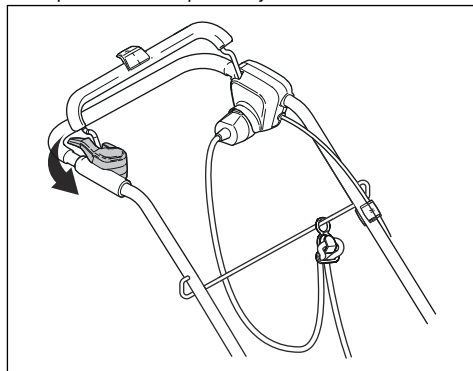
1. Prikjučite električni kabal na utičnicu ispod ručke.



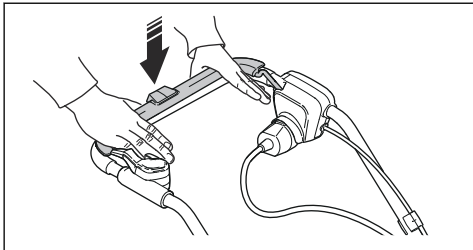
2. Postavite kabal napajanja u držač kabela napajanja. Pogledajte *Uporaba držača kabela napajanja (model LC 141C) na stranici 290.*



3. Stanite iza proizvoda.
4. Otпустite blokadu pokretanja.

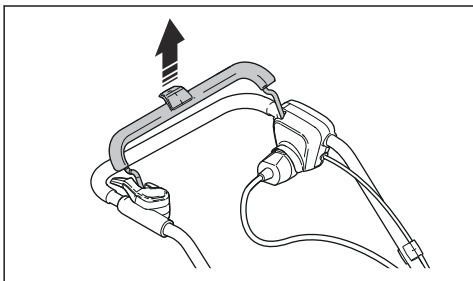


5. Ručicu kočnice motora gurnite prema upravljaču.

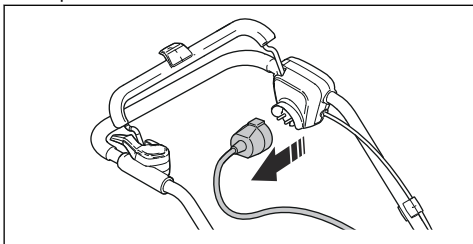


Zaustavljanje proizvoda

1. Otpustite ručicom kočnice motora kako biste zaustavili motor.



2. Kabel napajanja prvo odspojite od mreže, a potom i od proizvoda.



OPREZ: Priključak povlačite ravno prema van. Nemojte povlačiti kabel za napajanje.

Za dobar ishod

- Uvijek upotrebljavajte oštar nož. Tup nož daje nepravilne rezultate, a rezana površina trave požuti. Oštar nož također troši manje energije od tupog.
- Nemojte rezati više od 1/4 od duljine trave. Prvo kosite s visoko postavljenom visinom za rezanje. Provjerite rezultat i spustite visinu rezanja na prihvatljivu razinu. Ako je trava vrlo dugačka, vozite polako i po potrebi kosite 2 puta.
- Svaki put kosite u drugom smjeru kako biste spriječili nastanak traka na travnjaku.

Održavanje

Uvod



UPOZORENJE: Prije održavanja morate pročitati i usvojiti poglavlje o sigurnosti.

Za sve radove servisiranja i održavanja na proizvodu potrebna je posebna obuka. Jamčimo dostupnost profesionalnih popravaka i servisa. Ako vaš distributer

nije servis, od njega zatražite informacije o najbližem serviseru.

Raspored održavanja

Intervali održavanja izračunati su za dnevnu upotrebu proizvoda. Intervali se mijenjaju ako se proizvod ne upotrebljava svakodnevno.

Za održavanje označeno znakom * pogledajte *Sigurnosne upute za proizvod na stranici 289.*

LC 141IV, LC 141i i LC 141C	Svake upotrebe	Mjesečno	Svake sezone
Provedite opći pregled.	X		
Očistite proizvod.	X		

LC 141IV, LC 141i i LC 141C	Svake upotrebe	Mjesečno	Svake sezone
Provjerite blokadu paljenja *.	X		
Provjerite ispravnost sigurnosnih uređaja na proizvodu *.	X		
Pregledajte reznu opremu.	X		
Pregledajte pokrov noža *.	X		
Provjerite ručicu kočnice motora *.	X		

Samo LC 141IV i LC 141i	Svake upotrebe	Mjesečno	Svake sezone
Provjerite ispravnost i neoštećenost gumba ON/OFF (uključeno / isključeno).	X		
Provjerite je li baterija oštećena.	X		
Provjerite napunjenost baterije.	X		
Provjerite ispravnost gumba za otpuštanje baterije i pričvršćivanje baterije u proizvod.	X		
Provjerite je li punjač baterije oštećen i uvjerite se u njegovu ispravnost rada.		X	
Pregledajte spojeve između baterije i proizvoda. Također pregledajte spojeve između baterije i punjača baterije.			X

Za opći pregled

- Provjerite jesu li zategnuti matice i vijci na proizvodu.
- Kabeli na proizvodu ne smiju biti u položaju u kojem se mogu oštetiti.

Za čišćenje proizvoda

- Plastične dijelove čistite čistom i suhom krpom.
- Proizvod nemojte čistiti vodom. Voda može prodrijeti u bateriju ili motor i uzrokovati kratki spoj ili oštetiti proizvod.
- Za čišćenje proizvoda nemojte koristiti visokotlačni stroj za pranje.
- Nemojte liti vodu izravno na motor.
- Četkom uklonite lišće, travu i onečišćenja.

Za čišćenje baterije i punjača baterija



OPREZ: Bateriju ili punjač baterije nikada nemojte čistiti vodom.

- Prije umetanja baterije u punjač baterije provjerite jesu li baterija i punjač baterije čisti i suhi.
- Očistite polove baterije komprimiranim zrakom ili upotrijebite mekanu i suhu krpom.
- Površine baterije i punjač baterije očistite mekanom i suhom krpom.

Za pregled rezne opreme



UPOZORENJE: Za modele LC 141IV i LC 141i: Kako biste spriječili nenamjerno pokretanje, sigurnosni ključ okrenite na 0, izvadite bateriju i pričekajte najmanje 5 sekundi.

Za model LC 141C: Za sprječavanje nenamjernog pokretanja odspojite kabel napajanja.



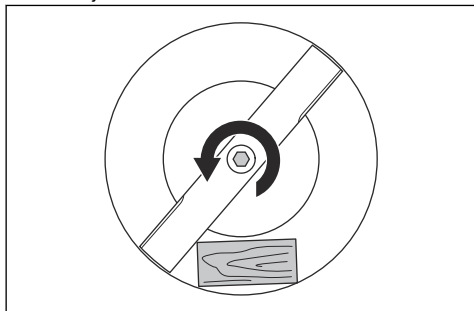
UPOZORENJE: Tijekom održavanja rezne opreme nosite zaštitne rukavice. Nož je vrlo oštar i lako dolazi do posjekotina.

1. Pregledajte ima li na reznoj opremi oštećenja ili pukotina. Oštećenu reznu opremu obavezno zamijenite.
2. Pregledajte nož kako biste ustanovili je li oštećen ili tup.

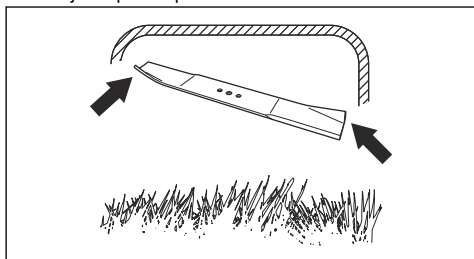
Napomena: Nakon oštrenja nož je nužno uravnotežiti. Nož naoštrite, zamijenite i uravnotežite u servisnom centru. Ako se pri udaru u prepreku proizvod zaustavi, zamijenite oštećeni nož. Procjenu za oštrenje ili zamjenu noža prepustite servisnom centru.

Uklanjanje i zamjena noža

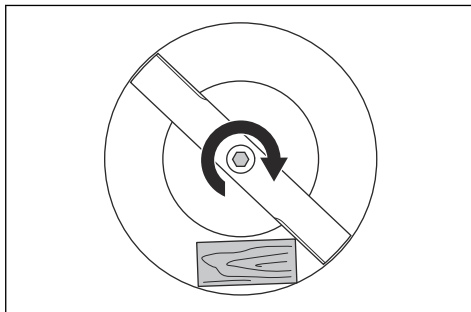
1. Blokirate nož drvenim blokom.



2. Uklonite vijak noža.
3. Uklonite nož.
4. Provjerite jesu li nosač noža i vijak noža neoštećeni.
5. Pregledajte vratilo motora kako biste se uvjerali da nije savijeno.
6. Zaobljene rubove novog noža pri postavljanju usmjerite prema pokrovu noža.



7. Nož mora biti poravnat sa središtem vratila motora.
8. Blokirate nož drvenim blokom. Pričvrstite elastični rasječeni prsten i zategnite vijak i podlošku na zatezni moment od 20 Nm.



9. Ručno povucite nož u krug kako biste provjerili okreće li se slobodno.



UPOZORENJE: Nosite rukavice za teške uvjete rada. Nož je vrlo oštar i lako dolazi do posjekotina.

10. Pokrenite proizvod kako biste ispitali nož. Ako nož nije ispravno pričvršćen, proizvod vibrira ili ishod košenja nije zadovoljavajući.

Rješavanje problema

Baterija

LED indikator na bateriji	Uzrok	Rješenje
Trepće zeleni LED indikator.	Napon baterije je nizak.	Napunite bateriju. Pogledajte <i>Zamjena baterije na stranici 297.</i>
Trepće LED indikator za pogreške.	Baterija je slaba.	Napunite bateriju. Pogledajte <i>Zamjena baterije na stranici 297.</i>
	Temperatura radnog okoliša je previsoka ili preniska.	Bateriju upotrebljavajte u rasponu temperatura od -10 °C i 40 °C.
	Prenapon.	Napon mreže mora biti jednak naponu na natpisnoj pločici proizvoda. Izvadite bateriju iz punjača baterije. Pričekajte 5 sekundi i ponovno pokušajte napuniti bateriju. Ako se problem ne ukloni, obratite se ovlaštenom serviseru.

LED indikator na bateriji	Uzrok	Rješenje
Uključen je LED indikator za pogreške.	Razlika između ćelija je prevelika (1 V).	Obratite se ovlaštenom serviseru.

Punjač baterije

LED indikator na punjaču baterije	Uzrok	Rješenje
Trepće LED indikator za pogreške.	Temperatura radnog okoliša je previsoka ili preniska.	Punjač baterije upotrebljavajte u rasponu temperature između 5 °C i 40 °C.
Uključen je LED indikator za pogreške.		Obratite se ovlaštenom serviseru.

Upravljačka ploča

Za probleme koji nisu navedeni u ovom odjeljku obratite se ovlaštenom serviseru.

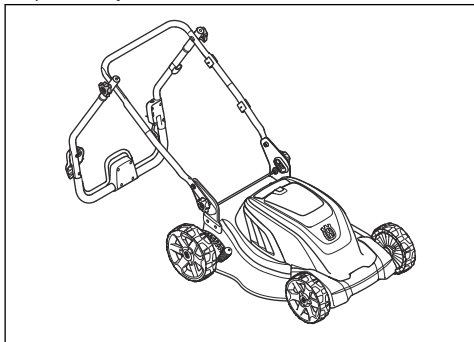
Tipkovnica	Moguće pogreške	Moguće rješenje
Treperenje LED indikatora za pogreške	Motor je preopterećen	Povećajte visinu rezanja. Pogledajte <i>Za postavljanje visine rezanja na stranici 296</i> .
	Prevelik pad brzine motora i zaustavljanje motora	
	Upravljanje motorom je pregrijano	Zaustavite motor i pričekajte da se ohladi
	Nož je blokiran	Kako biste spriječili nenamjerno pokretanje sigurnosni ključ okrenite na 0, uklonite bateriju i pričekaite najmanje 5 sekundi. Provjerite okreću li se noževi neometano. Ako se problem ponovno pojavi, obratite se ovlaštenom serviseru
Proizvod se zaustavlja	Pogreška baterije ili nema signala baterije	Pravilno umetnite bateriju u proizvod i pregledajte priključak baterije. Ako treperi LED indikator za pogrešku, pogledajte <i>Baterija na stranici 302</i> .
	Baterija je slaba	Napunite bateriju. Pogledajte <i>Zamjena baterije na stranici 297</i> .
	Kvar priključka baterije	Pregledajte priključak baterije

Prijevoz, spremanje i zbrinjavanje

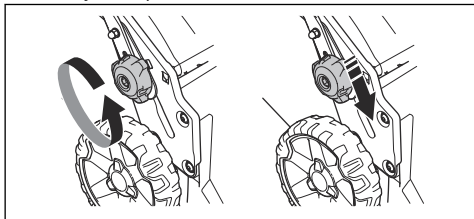
Za postavljanje kosilice u položaj za prijevoz

1. Uklonite sakupljač trave (ako je ugrađen).

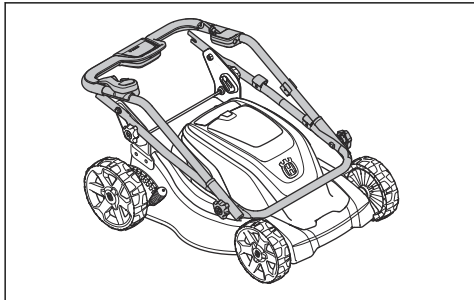
2. Otpustite kotačiće na gornjoj ručici i preklopite je prema dolje.



3. Otpustite donje vijke.
4. Pomaknite kotačiće u donji dio utora na lijevoj i desnoj strani proizvoda.



5. Preklomite ručku prema naprijed.



Prijevoz

- Na sadržane litij-ionske baterije primjenjuju se zahtjevi zakona o opasnim tvarima.
- Za komercijalne Transporte morate poštivati posebne zahtjeve za pakiranje i oznake.
- Provjerite poštivanje propisa za opasne materijale tijekom pripreme proizvoda za transport. Primjenjuju se lokalni propisi.

- Prije prijevoza obavezno izvadite bateriju.
- Preljepite priključke baterije trakom i onemogućite pomicanje baterije tijekom transporta.
- Pričvrstite proizvod tijekom transporta.

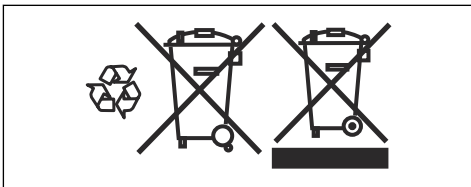
Skladištenje

- Prije skladištenja obavezno izvadite bateriju.
- Kako biste spriječili nezgode, bateriju tijekom skladištenja nemojte ostaviti priključenu na proizvod.
- Punjač baterije spremite u zatvoren, suh prostor.
- Bateriju i punjač baterije spremite u suh prostor u koji ne može prodrijeti vlaga ili mraz.
- Bateriju za skladištenje uklonite s punjača baterije.
- Bateriju nemojte skladištiti u prostoru u kojem može nastati statički elektricitet. Bateriju nemojte čuvati u metalnoj kutiji.
- Bateriju spremite u prostor temperature između 5 °C i 25 °C, bez izlaganja izravnoj sunčevoj svjetlosti.
- Punjač baterije spremite u prostor temperature između 5 °C i 45 °C, bez izlaganja izravnoj sunčevoj svjetlosti.
- Prije dugotrajnog skladištenja obavezno napunite bateriju na 30% do 50%.
- Proizvod, bateriju i punjač baterije skladištite u zaključanom prostoru izvan doseg djece i neodobrenih osoba.
- Prije dugotrajnog skladištenja očistite proizvod i provedite cjeloviti servis.

Odlaganje

Oznake na proizvodu ili ambalaži proizvoda znače da se proizvod ne smije odlagati zajedno s komunalnim otpadom. Umjesto toga, potrebno ga je odnijeti u propisani reciklažni centar za prihvata električne i elektroničke opreme.

Ispravnim rukovanjem proizvodom pomažete u ublažavanju negativnih učinaka po okoliš i osobe do kojih može doći u slučaju pogrešnog upravljanja otpadnim tvarima ovog proizvoda. Pojednost o recikliranju proizvoda zatražite od lokalnih tijela uprave, komunalne službe ili u prodavaonici u kojoj ste kupili proizvod.



Tehnički podaci

Tehnički podaci LC 141iV, LC 141i

	LC 141iV	LC 141i
Rezni motor		
Vrsta motora	BLDC (beskontaktni) 36 V	BLDC (beskontaktni) 36 V
Broj okretaja motora – SavE, o/min	2700	2700
Broj okretaja motora – nazivni, o/min	3100	3100
Broj okretaja motora – veliko opterećenje, o/min	3700	3700
Snaga motora – maks. kW	0,8	0,8
Snaga motora – nazivna, kW	0,55	0,55
Pogonski motor		
Snaga motora – nazivna, kW	0,25	Nije dostupno
Brzina samostalnog hoda, km/h	3,0 – 4,5	Nije dostupno
Razine prilagodbe brzine	4	Nije dostupno
Težina		
Težina bez baterije, kg	21,5	18,6
Baterija ⁷¹		
Vrsta baterije	Serije baterije Husqvarna	Serije baterije Husqvarna
Trajanje baterije		
Trajanje baterije, min, (slobodni pogon) s uključenom funkcijom SavE, s jednom baterijom tvrtke Husqvarna od 5,2 Ah (BLi200).	77	77
Trajanje baterije, min, (slobodni pogon) s uključenom standardnim načinom rada, s jednom baterijom tvrtke Husqvarna od 5,2 Ah (BLi200).	45	45
Emisije buke ⁷²		
Razina jačine zvuka, mjerena u dB (A)	88	88
Razina jačine zvuka, zajamčena L _{WA} dB (A)	89	89
Razine buke ⁷³		
Razine tlaka zvuka na uhu rukovatelja, dB (A)	83	83
Razine vibracije ⁷⁴		
Ručka, m/s ²	2,0	2,0

⁷¹ Za najbolje rezultate i performanse preporučuje se baterija BLi200 tvrtke Husqvarna.

⁷² * Emisije buke u okoliš izmjerene kao jakost zvuka (L_{WA}) u skladu s Direktivom EZ 2000/14/EZ.

⁷³ Navedeni podaci za razinu pritiska zvuka uključuju tipično statističko raspršenje (standardno odstupanje) od 1,2 dB (A).

⁷⁴ Navedeni podaci o razini vibracija sadrže tipično statističko raspršenje (standardno odstupanje) od 0,2 m m/s².

	LC 141IV	LC 141i
Rezanje		
Visina rezanja, mm	25 – 70	25 – 70
Širina rezanja, cm	41	41
Kataloški broj noža	Skupljanje – 5011716-01	Skupljanje – 5011716-01
Kapacitet vreće za travu, litra	50	50

Odobrene baterije	Marka	Vrsta	Kapacitet baterije, Ah	Napon, V	Težina, lb/kg
BLi10	Husqvarna	Litij-ion	2,0	36	1,8 / 0,8
BLi100	Husqvarna	Litij-ion	2,6	36	1,9 / 0,8
BLi20	Husqvarna	Litij-ion	4,0	36	2,7/1,2
BLi200	Husqvarna	Litij-ion	5,2	36	2,8/1,3
BLi300	Husqvarna	Litij-ion	9,4	36	4,1/1,9

Odobreni punjači za navedene baterije,	Marka	Ulazni napon, V	Frekvencija, Hz	Snaga, W
QC80	Husqvarna	100 – 240	50 – 60	80
QC80F	Husqvarna	12	0	80
QC250	Husqvarna	220 – 240	50	250
QC330	Husqvarna	100 – 240	50 – 60	330
QC500	Husqvarna	100 – 240	50 – 60	500

Tehnički podaci LC 141C

	LC 141C
Motor	
Vrsta motora	Serijski izmjenični motor
Broj okretaja motora – nazivni, o/min	3200
Snaga	1800 W
Izvor napajanja	Električni kabel
Kabel napajanja (samo za tržište u UK)	
Tip kabela	Produžni kabel 16M
Težina, kg	1,6
Težina	

	LC 141C
Težina, kg	20,4
Emisije buke ⁷⁵	
Razina jačine zvuka, mjerena u dB (A)	93
Razina jačine zvuka, zajamčena L _{WA} dB (A)	95
Razine buke ⁷⁶	
Razine tlaka zvuka na uhu rukovatelja, dB (A)	85
Razine vibracije ⁷⁷	
Ručka, m/s ²	2,0
Rezanje	
Visina rezanja, mm	25 – 70
Širina rezanja, cm	41
Nož, katalogski broj	Skupljanje 5011716-01
Kapacitet vreće za travu, litra	50

⁷⁵ Emisije buke u okoliš izmjerene kao jakost zvuka (L_{WA}) u skladu s EZ direktivom 2000/14/EZ.

⁷⁶ Navedeni podaci za razinu pritiska zvuka uključuju tipično statističko raspršenje (standardno odstupanje) od 1,4 dB (A).

⁷⁷ Podaci o razini vibracije pokazuju tipičnu statističku disperziju (standardnu devijaciju) od 0,2 m/s².

Izjava o sukladnosti EC

EZ izjava o sukladnosti

Husqvarna AB, SE-561 82 Huskvarna, Švedska, tel:
+46-36-146500, izjavljuje da su **kosilice Husqvarna
LC 141iV i LC 141i** od serijskog broja 2018XXXXXXX
nadalje i **Husqvarna LC 141C** od serijskog broja
2015XXXXXXX nadalje sukladne zahtjevima
DIREKTIVE VIJEĆA:

- od 8. lipnja 2011. o „ograničenju uporabe određenih opasnih tvari“ **2011/65/EU**
- od 17. svibnja 2006. „o strojevima“ **2006/42/EZ**
- od 26. veljače 2014. „o elektromagnetskoj kompatibilnosti“ **2014/30/EU**
- od 8. svibnja 2000. „o emisijama buke u okoliš“ **2000/14/EZ**

Informacije o emisiji buke potražite u poglavlju s tehničkim podacima.

Sljedeće norme primjenjuju se na certifikate proizvoda Husqvarna LC 141iV i LC 141i: **IEC 60335-2-77:2002, IEC 60335-1:2010+A1:2013, EN 55014-1:2017, EN 55014-2:2015, EN 61000-3-2:2014, EN 61000-3-3:2013, EN 62233:2008**

Sljedeće norme primjenjuju se na certifikate proizvoda Husqvarna LC 141C: **EN 60335-1:2012+A11:2014, EN 60335-2-77:2010, EN 62233:2008, EN 55014-1:2017+A11, EN 55014-2:2015, EN 61000-3-2:2019, EN 61000-3-11:2019**

Prijavljeno tijelo: **0404, RISE SMP Svensk Maskinprovning AB, Box 7035, SE-750 07 Uppsala** provelo je procjenu sukladnosti prema prilogu VI Direktive 2000/14/EC.

Huskvarna, 2020-10-13



Claes Losdal, voditelj odjela za razvoj/proizvodi za vrt (ovlašteni predstavnik tvrtke Husqvarna AB i odgovorna osoba za tehničku dokumentaciju.)

TARTALOMJEGYZÉK

Bevezető.....	309	Hibaelhárítás.....	330
Biztonság.....	313	Szállítás, tárolás és ártalmatlanítás.....	332
Összeszerelés.....	321	Műszaki adatok.....	333
Üzemeltetés.....	323	EK megfelelőségi nyilatkozat.....	337
Karbantartás.....	328		

Bevezető

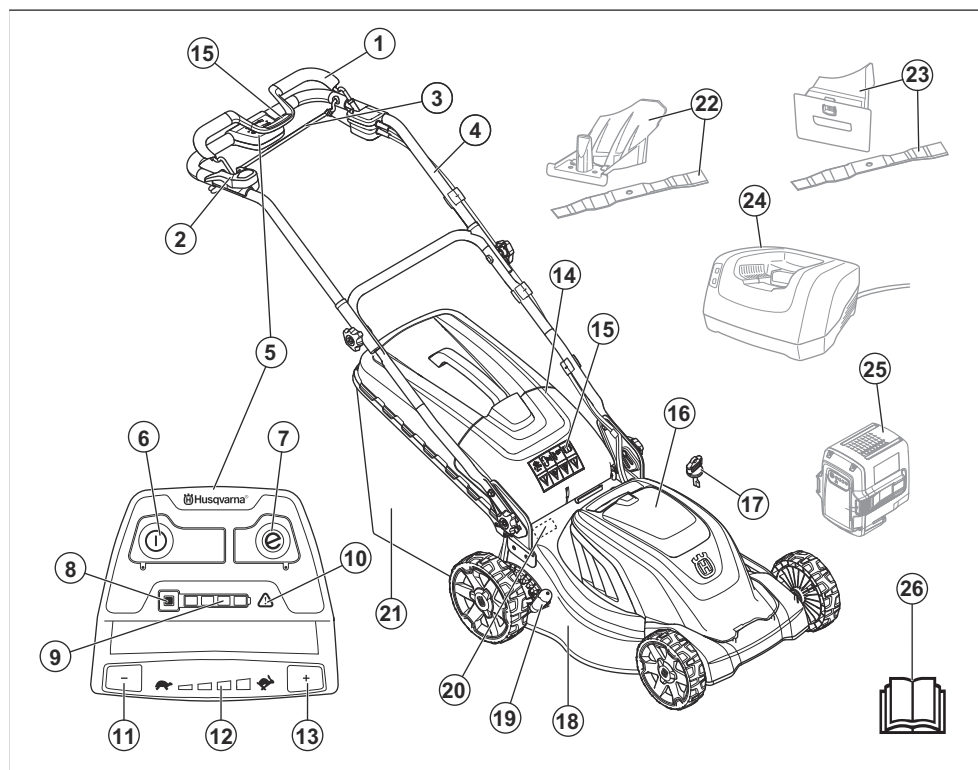
Termékleírás

A termék egy gyalog kísért forgóképes fűnyíró. A fű egy fűgyűjtőben kerül gyűjtésre. Vegye ki a fűgyűjtőt a fű hátsó ürítéséhez. Csatlakoztasson egy porhanyító készletet (tartozék) a fű műtrágyázásra való vágásához.

Rendeltetésszerű használat

A termék fűnyírásra szolgál. Ne használja a terméket egyéb feladatokra.

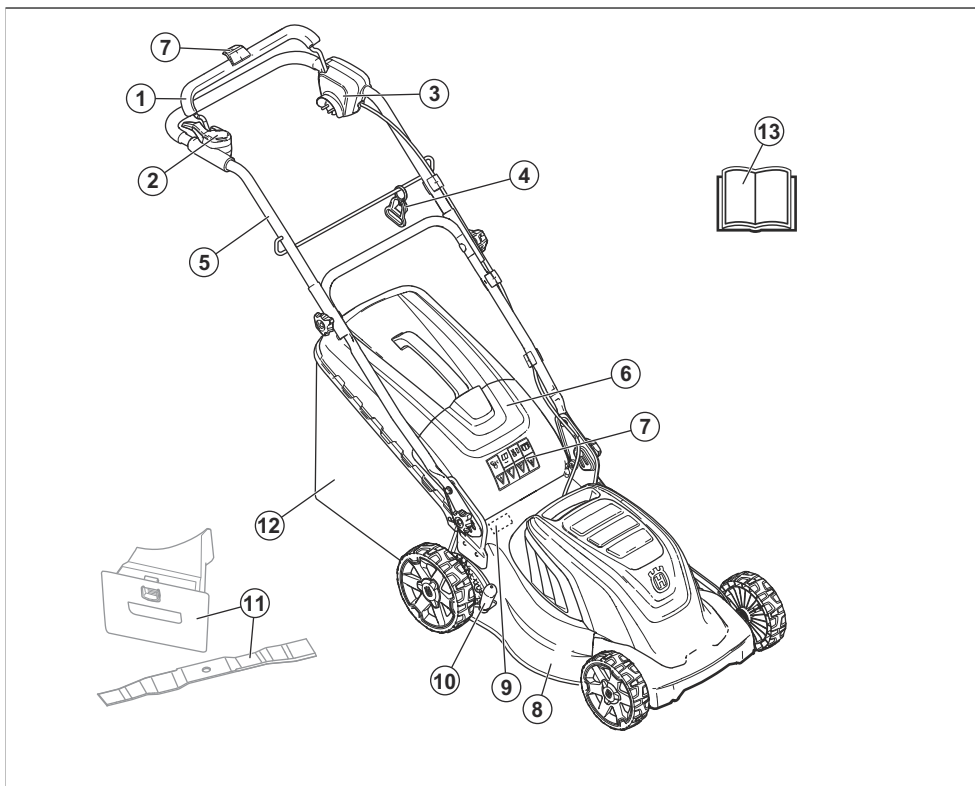
A(z) LC 141iV és LC 141i típus áttekintése



1. Motorfékfogantyú
2. Indításgátló
3. Kerékajtás kapcsoló kar (LC 141iV)
4. Fogantyú
5. Vezérlőpanel
6. BE-/KI kapcsoló gomb
7. SavE gomb
8. Akkumulátorjelző gomb
9. Akkumulátortöltöttség-jelző
10. Figyelmeztető jelzés (ERROR LED)

- | | |
|--|--|
| 11. Sebesség csökkentése gomb (LC 141iV) | 19. Vágási magasságot szabályozó kar |
| 12. Sebesség kijelző (LC 141iV) | 20. Adattábla |
| 13. Sebesség növelése gomb (LC 141iV) | 21. Fűgyűjtő |
| 14. Hátsó burkolat | 22. Porhanyító készlet (tartozék a(z) LC 141iV típushoz) |
| 15. Szimbólumok | 23. Porhanyító készlet (tartozék a(z) LC 141i típushoz) |
| 16. Akkumulátorfedél | 24. Akkumulátortöltő (tartozék) |
| 17. Biztonsági kulcs | 25. Akkumulátor (tartozék) |
| 18. Vágóburkolat | 26. Kezelői kézikönyv |

Az LC 141C áttekintése



- | | |
|--------------------------------------|-----------------------|
| 1. Motorfékfogantyú | 13. Kezelői kézikönyv |
| 2. Indításgátló | |
| 3. Tápkábel aljzat | |
| 4. Tápkábeltartó | |
| 5. Fogantyú | |
| 6. Hátsó burkolat | |
| 7. Szimbólumok | |
| 8. Vágóburkolat | |
| 9. Adattábla | |
| 10. Vágási magasságot szabályozó kar | |
| 11. Mulcs dugó (tartozék) | |
| 12. Fűgyűjtő | |

A termék szimbólumai



A kezelőre és a közelben állókra is vonatkozó sérülés és halál kockázata áll fenn, amennyiben a terméket nem megfelelően és

körültekintően
használják.



Olvassa el a használati utasítást, és a termék használatba vétele előtt győződjön meg róla, hogy megértette a benne foglaltakat.



A személyeket és állatokat tartsa biztonságos távolságban a munkaterülettől.



Legyen óvatos a kivetett és visszapattanó tárgyakkal.



Figyelmeztetés: Tartsa távol kezét és lábát a forgó késektől.



Figyelmeztetés: Tartsa távol kezét és lábát a forgó alkatrészekről.



Karbantartás előtt vegye ki a biztonsági kulcsot. (LC 141iV/LC 141i modell)



Karbantartás előtt húzza ki a termék tápkábelét a csatlakozóaljzatból. (LC 141C modell)

IPX1 IPX1 – A termék csepegő víz elleni védett (LC 141iV/LC 141i modell)

IPX4 IPX4 – A termék fröccsenő víz elleni védett (LC 141C modell)



Ügyeljen rá, hogy a termékre ne essen rá az eső (LC 141iV/LC 141i modell)



Figyelmeztetés: A terméket ne működtesse a tápkábelén áthaladva, mert ez áramütést, illetve a termék károsodását okozhatja. (LC 141C modell)



Ez a termék megfelel a vonatkozó EK irányelveknek.



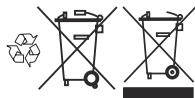
Az Európai Közösség irányelvének megfelelő környezeti zajkibocsátás. A termék kibocsátási adatai megtalálhatók a Műszaki adatok című fejezetben és a címkén.



Egyenáram. 36 V



Kettős szigetelés.



A termék újrahasznosítását elektromos és elektronikus berendezések újrahasznosítására szolgáló ponton kell elvégezni. (Kizárólag Európára vonatkozik)



Indítási eljárás az LC 141iV/ LC 141i modell esetében: nyomja meg az ON/OFF gombot, lazítsa meg az indításgátlót, nyomja lefelé a motorfékfogantyút.



Indítási eljárás az LC 141C modell esetében: lazítsa meg az indításgátlót, nyomja lefelé a motorfékfogantyút.



A leállításhoz engedje el a motorfékfogantyút.



Lassú



Gyors



Beolvasható kód

Megjegyzés: A terméken szereplő többi jel/címke egyes piacok specifikus vizsgáztatási követelményeire vonatkozik.

Termékszavatosság

A termékszavatosságra vonatkozó jogszabályok értelmében nem vagyunk felelősek a termékeink által okozott károkért az alábbi esetekben:

- a termék javítását helytelenül végezték;
- a termék javítása nem a gyártótól származó vagy általa jóváhagyott alkatrészekkel történt;
- a terméket nem a gyártótól származó vagy általa jóváhagyott kiegészítővel szerelték fel;
- a termék javítását nem hivatalos szakszerviz vagy jóváhagyott egyéb szerviz végezte.

Biztonsági meghatározások

A figyelmeztetések, óvintézkedések és megjegyzések a használati utasítás kiemelten fontos részeire hívják fel a figyelmet.



FIGYELMEZTETÉS: Akkor használatos, ha a kézikönyv utasításainak be nem tartása esetén fennáll a kezelő vagy a közelben tartózkodók sérülésének vagy halálának veszélye.



VIGYÁZAT: Akkor használatos, ha a kézikönyv utasításainak be nem tartása esetén fennáll a vagyoni kár, illetve a termék vagy a környező terület károsodásának veszélye.

Megjegyzés: További információt biztosít az adott helyzetben szükséges tennivalókról.

Általános biztonsági utasítások



FIGYELMEZTETÉS: A termék használata előtt olvassa el az alábbi figyelmeztetéseket.

- Ez a termék veszélyes, ha helytelenül használja, vagy ha nem vigyáz. A biztonsági utasítások be nem tartása sérüléssel vagy halállal járhat.
- A termék működés közben elektromágneses mezőt hoz létre. Ez bizonyos körülmények esetén hatással lehet az aktív vagy passzív orvosi implantátumokra. A súlyos vagy halálos sérülés kockázatának csökkentése érdekében azt javasoljuk, hogy az orvosi implantátumot használó személyek a termék alkalmazása előtt kérjék ki orvosuk vagy az orvosi implantátum gyártójának tanácsát.
- Mindig megfontoltan és előrelátóan cselekedjen. Ha nem biztos benne, hogyan kell a terméket speciális helyzetben üzemeltetni, akkor hagyja abba a tevékenységet, és beszéljen a Husqvarna kereskedőjével a folytatás előtt.
- Ne feledje, hogy a kezelő felelős a másokat és a mások tulajdonát érő balesetekért is.
- Tartsa tisztán a terméket. Ügyeljen arra, hogy a jelek és címkék jól olvashatóak legyenek.
- Soha ne engedje, hogy gyermekek vagy a kezelési utasításokat nem ismerő személyek használják a készüléket. A helyi rendelkezések adott esetben kezelési korhatárt szabhatnak meg.
- Csökkent fizikai vagy szellemi képességekkel rendelkező személy csak felügyelet mellett használhatja a

terméket. Egy felelős felnőttnek mindig jelen kell lennie.

- Ne használja a terméket, ha fáradt, beteg, illetve alkohol, drog vagy gyógyszer hatása alatt áll. Ez negatív hatással van a látására, az éberségére, a koordinációjára és az ítélőképességére.
- Ne használja a terméket, ha hibás.
- Ne változtassa meg a terméket, vagy ne használja, ha feltehetőleg valaki más változtatásokat hajtott végre rajta.

A munkaterület biztonsága



FIGYELMEZTETÉS: A termék használata előtt olvassa el az alábbi figyelmeztetéseket.

- Ne használja a terméket rossz időben, például ködben, esőben, erős szélben, nagy hidegben, villámlás veszélyes esetén. A termék rossz időjárási körülmények között vagy nyirkos, nedves helyeken történő használata fárasztó. A rossz időjárás veszélyes körülményeket, például csúszós felületeket okozhat.
 - Ügyeljen az olyan személyekre, tárgyakra és helyzetekre, amelyek akadályozzák a termék biztonságos üzemeltetését.
 - Ügyeljen az olyan akadályokra, mint a gyökerek, kövek, gallyak, gödrök és árkok. A magas fű akadályokat rejthet.
 - A lejtőkön levő fű nyírása veszélyes lehet. Meredek lejtőkön/emelkedőkön ne nyírjon fűvet. Ne használja a terméket 15 foknál meredekebb lejtőn.
 - Lejtős terepen rendkívül óvatosan váltson irányt. Az emelkedőknél/lejtőknél mindig oldalirányban működtesse a terméket. Ne haladjon felfelé vagy lefelé.
 - Legyen körültekintő, ha olyan sarkok és tárgyak közelébe ér,
- A termék használata előtt távolítsa el a különböző tárgyakat, például ágakat, gallyakat és köveket a munkaterületről.
 - A vágószerkezetnek ütköző tárgyak elrepülve személyek vagy tárgyak sérülését okozhatják. A közelben állókat és az állatokat tartsa biztonságos távolságban a terméktől.

amelyek gátolják a tiszta kilátást.

Munkabiztonság



FIGYELMEZTETÉS: A termék használata előtt olvassa el az alábbi figyelmeztetéseket.

- Ezt a terméket kizárólag füves pázsitok nyírására használja. A termék más feladatokra történő használata nem megengedett.
- Használjon személyi védőfelszerelést. Lásd: *Személyi védőfelszerelés 316. oldal.*
- Mindenképpen legyen tisztában azzal, hogy vészhelyzet esetén hogyan kell gyorsan leállítani a motort.
- Ne működtesse a terméket esős vagy nedves körülmények között. A termékbe jutó víz növeli az áramütés kockázatát.
- Ne használja a készüléket, hacsak a kés és az összes borítás nincs megfelelően rögzítve. A nem megfelelően rögzített kés kilazulhat, és személyi sérülést okozhat.
- Ügyeljen arra, hogy a kés ne ütközzön olyan tárgyakba, mint például kövek és gyökerek. Ez kárt tehet a késben, és meghajlíthatja a motor tengelyét. A meghajlott tengely erős rezgést okoz, és így nagyon nagy a kockázata annak, hogy a kés meglazul.
- Ha a kés valamilyen tárgynak ütközik vagy rezegni kezd, azonnal állítsa le a terméket. Állítsa le a motort, fordítsa a biztonsági kulcsot „0” állásba, és vegye ki az akkumulátort (LC 141iV és LC 141i modell), vagy húzza ki a tápkábelt (LC 141C modell). Ellenőrizze, hogy a termék sérülésmentes-e. Javítsa meg a sérüléseket, vagy végeztesse el a szakszervizzel a javításokat.
- Amikor a motor működésben van, soha ne rögzítse tartósan a motorfékfogantyút a fogantyúhoz.
- Helyezze a terméket stabil, vízszintes felületre, és kapcsolja be. Gondoskodjon arról, hogy a kés ne ütközzön se a talajba, se egyéb tárgyakba.
- Mindig maradjon a termék mögött, amikor működteti.
- A termék üzemeltetése során minden kerék legyen a talajon, és tartsa két kézzel a fogantyút. Tartsa távol kezét és lábát a forgó késektől.

- Ne döntse meg a terméket, ha a motor jár.
- Legyen óvatos, amikor hátrafelé húzza a terméket.
- Soha ne emelje fel a terméket, ha a motor jár. Ha fel kell emelnie a terméket, előbb állítsa le a motort, fordítsa a biztonsági kulcsot „0” állásba, és vegye ki az akkumulátort (LC 141iV és LC 141i modell), vagy húzza ki a tápkábelt (LC 141C modell).
- Ne sétáljon hátrafelé a termék működtetése során.
- Állítsa le a motort, ha olyan területeken halad át, ahol nincs fű, például kavicsos, kövezett és aszfalozott járdákon.
- Ne fusson a termékkel, ha a motor jár. Mindig sétáljon a termék működtetése során.
- Mielőtt megváltoztatná a vágási magasságot, állítsa le a motort. Soha ne végezzen beállításokat, amikor a motor jár.
- Soha ne hagyja a terméket felügyelet nélkül járó motor esetén. Állítsa le a motort és győződjön meg arról, hogy a vágószerkezet nem forog.

Biztonsági utasítások az üzemeltetéshez

Személyi védőfelszerelés



FIGYELMEZTETÉS: A termék használata előtt olvassa el az alábbi figyelmeztetéseket.

- A személyi védőfelszerelés nem küszöböli ki teljes mértékben a sérülés kockázatát, de csökkenti a sérülés mértékét, ha bekövetkezik a baleset. A megfelelő felszerelés kiválasztásában kérje a kereskedő segítségét.
- Használjon nagy teherbírású, csúszásmentes bakancsot vagy cipőt. Ne használja nyitott cipőben vagy mezítláb a terméket.
- Viseljen vastag, hosszú szárú nadrágot.
- Viseljen védőkesztyűt, például a vágószerkezet felhelyezésekor, ellenőrzésekor vagy tisztításakor.

Biztonsági eszközök a terméken



FIGYELMEZTETÉS: A termék használata előtt olvassa el az alábbi figyelmeztetéseket.

- Ne használjon olyan terméket, amelynek hibásak a biztonsági eszközei.

- Rendszeresen ellenőrizze a biztonsági eszközöket. A biztonsági eszközök meghibásodása esetén vegye fel a kapcsolatot a Husqvarna szervizműhellyel.

A vágóburkolat ellenőrzése

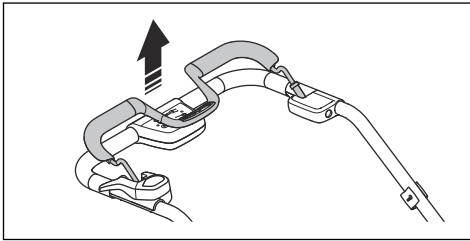
A vágóburkolat csökkenti a termék rezgését és a kés okozta sérülések kockázatát.

- Vizsgálja meg a vágóburkolatot, hogy nincs rajta sérülés, például repedés.

Motorfékfogantyú

A motorfékfogantyú a motor leállítására szolgál. Ha elengedi a motorfékfogantyút, a motor leáll.

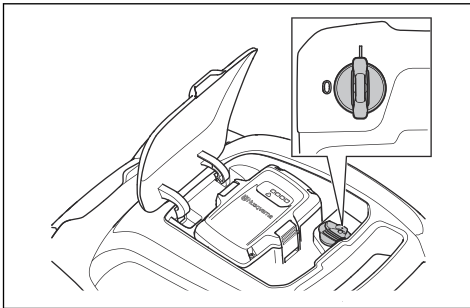
A motorfék ellenőrzéséhez indítsa el a motort, majd engedje el a motorfékfogantyút. Ha a motor 3 másodpercen belül nem áll le, állítsa be egy hivatalos Husqvarna szakszervizben a motorféket.



Biztonsági kulcs (LC 141iV és LC 141i modell)

A biztonsági kulcs az akkumulátorfedél alatt helyezkedik el. A biztonsági kulcs csatlakoztatja a motort ellátó akkumulátort.

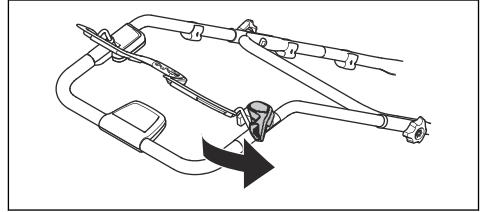
- A biztonsági kulcs ellenőrzéséhez indítsa be, majd állítsa le a motort.
- Ha a biztonsági kulcs megfelelően működik, a motor csak akkor indul el, ha a kulcs az „1” állásba van fordítva.



Az indításgátló ellenőrzése

Bizonyosodjon meg arról, hogy az indításgátló megakadályozza a motor elindulását.

1. Nyomja a motorfékfogantyút a fogantyú irányába. Az indításgátló megakadályozza a mozgást.
2. Nyomja kifelé az indításgátlót.

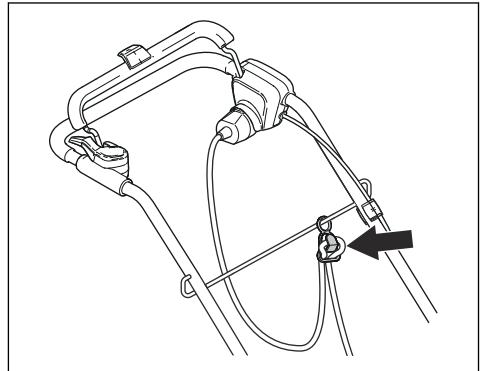


3. Engedje ki az indításgátlót, és győződjön meg arról, hogy az visszatér alaphelyzetbe.

A tápkábeltartó használata (LC 141C modell)

A tápkábeltartó csökkenti a csatlakozóaljzat és a tápkábel feszülését. A tápkábeltartó csökkenti továbbá az elesés kockázatát is.

1. Képezzen kis hurkot a tápkábelből.
2. Illessze a hurkot a tápkábeltartóban lévő nyílásba.
3. Helyezze a hurkot a horogra.
4. A tápkábel meghúzásával feszítse meg a hurkot a horgon.



Az akkumulátorral kapcsolatos biztonsági előírások



FIGYELMEZTETÉS: A termék használata előtt olvassa el az alábbi figyelmeztetéseket.

- A Husqvarna tölthető akkumulátorokat csak a

kompatibilis Husqvarna termékek tápellátására használja. Ne használja az akkumulátort más eszközök áramforrásaként, mivel ez balesetveszélyes.

- Ne használjon nem újratölthető akkumulátorokat.
- Elektromos áramütés veszélye. Ne csatlakoztassa az akkumulátorsarukat kulcsokhoz, érmékhez, csavarokhoz vagy egyéb fémhez. Ez az akkumulátor rövidzárlatát okozhatja.
- Ne tegyen tárgyakat az akkumulátor szellőzőnyílásaiba.
- Tartsa távol az akkumulátort a közvetlen napsütéstől, hőtől és nyílt lángtól. Az akkumulátor felrobbanhat, és súlyos égési, illetve vegyi égési sérüléseket okozhat.
- Tartsa az akkumulátort esős, nedves környezettől távol.
- Tartsa az akkumulátort mikrohullámoktól és magas nyomástól távol.
- Soha ne próbálkozzon az akkumulátor szétszerelésével vagy széttrésével.
- Ha az akkumulátor szivárog, ne hagyja, hogy a folyadék bőrre vagy szembe kerüljön. Ha a folyadékhoz ért, nagy

mennyiségű vízzel tisztítsa meg az adott testfelületet, és forduljon orvoshoz.

- Az akkumulátort $-10\text{ }^{\circ}\text{C}$ és $40\text{ }^{\circ}\text{C}$ közötti hőmérsékleten használja.
- Soha ne tisztítsa vízzel az akkumulátort vagy az akkumulátortöltőt. Lásd: *Az akkumulátor és az akkumulátortöltő tisztítása 329. oldalon.*
- Ne használjon meghibásodott vagy sérült akkumulátort.
- A tárolás során tartsa az akkumulátorokat távol a fém tárgyaktól, például szegektől, érméktől, ékszerektől.

Az akkumulátortöltő készülék biztonsága



FIGYELMEZTETÉS: A termék használata előtt olvassa el az alábbi figyelmeztetéseket.

- A QC akkumulátortöltőket csak a Husqvarna csereakkumulátorok töltésére használja.
- Áramütés vagy rövidzárlat veszélye. Ne tegyen tárgyakat a töltő szellőzőnyílásaiba. Ne próbálkozzon az akkumulátortöltő szétszerelésével. Ne érintsen

a töltő csatlakozóihoz fémtárgyat. Használjon jóváhagyott hálózati aljzatot.

- A termék működés közben elektromágneses mezőt hoz létre. Ez bizonyos körülmények esetén hatással lehet az aktív vagy passzív orvosi implantátumokra. A súlyos vagy halálos sérülés kockázatának csökkentése érdekében azt javasoljuk, hogy az orvosi implantátumot használó személyek a termék alkalmazása előtt kérjék ki orvosuk vagy az orvosi implantátum gyártójának tanácsát.
- Rendszeresen ellenőrizze, hogy az akkumulátortöltő tápkábele nem sérült-e, és hogy nincs rajta repedés.
- Ne emelje fel az akkumulátortöltőt a tápkábelnél fogva. Az akkumulátortöltő fali aljzataból történő kihúzásához a dugaszt húzza. Ne a hálózati tápkábelt húzza.
- Tartsa távol a hálózati tápkábelt és a hosszabbítókábelt a víztől, az olajtól és az éles élektől. Ügyeljen rá, hogy a kábel ne csípődjön be ajtóba, korlátba vagy hasonló tárgyba. Ilyen

esetben a töltő feszültség alá kerülhet.

- Soha ne tisztítsa vízzel az akkumulátortöltőt.
- Az akkumulátortöltőt 8 éven felüli gyermekek, illetve csökkent fizikai, érzékelési vagy szellemi képességekkel rendelkező, vagy az akkumulátortöltő működtetésében járatlan személyek is használhatják, amennyiben ezt felügyelet mellett teszik, illetve ismerik a készülék biztonságos működtetésének módját és az azzal járó veszélyeket. Gyermekek nem játszhatnak az akkumulátortöltővel. Gyermekek csak felügyelet mellett végezhetnek tisztítást és karbantartást.
- Ne töltsön nem újratölthető akkumulátorokat a töltővel.
- Ne használja az akkumulátortöltőt gyúlékony anyagok vagy olyan anyagok közelében, amelyek korróziót okozhatnak. Ne takarja le a töltőkészüléket. Amennyiben a töltő füstölni vagy égni kezdene, húzza ki a dugóját.
- Ne használjon meghibásodott vagy sérült akkumulátortöltőt.
- Az akkumulátort csak jó szellőzésű helyiségben,

napfénytől távol töltsé. Ne töltsé az akkumulátort nedves körülmények között.

A tápkábel biztonságos használata

Az LC 141C modell esetében.

- Legfeljebb 30 mA kikapcsolóáramra szabályozott maradékáramkorlátozó készülék (R.C.D.) alkalmazása javasolt. 100%-os biztonság még maradékáramkorlátozó készülék használata esetén sem garantálható, ezért mindenkor be kell tartani a biztonságos munkaeljárásokat. Minden használat előtt ellenőrizze a maradékáramkorlátozó készüléket.
- Ha a tápkábel szakadt vagy a szigetelése sérült, azonnal válassza le a készüléket az elektromos hálózatról.
- Ne érintse meg a szakadt vagy sérült tápkábelt, amíg ki nem húzta a készülék csatlakozóját az aljzatból.
- Ne próbálja megjavítani a szakadt vagy sérült kábelt. Szereljen fel új kábelt.

Biztonsági utasítások a karbantartáshoz



FIGYELMEZTETÉS: A termék használata előtt olvassa el az alábbi figyelmeztetéseket.

- Az LC 141iV, LC 141i modell esetében: A véletlen beindítás elkerülése érdekében karbantartáskor fordítsa a biztonsági kulcsot „0” állásba, és távolítsa el az akkumulátort. A karbantartás megkezdése előtt várjon legalább 5 másodpercet.
- Az LC 141C modell esetében: A véletlen beindítás elkerülése érdekében a karbantartás során húzza ki a tápkábelt.
- A termék élettartamának növelése és a balesetveszély elkerülése érdekében végezze el szakszerűen a karbantartási műveleteket. Bízza hivatalos szervizműhelyre a professzionális javítást. Bővebb információért forduljon a legközelebbi szakszervizhez.
- Csak a felhasználói kézikönyvben megadott karbantartást végezze el. Komolyabb beavatkozásokat csak hivatalos szakszerviz végezhet.
- A vágószerkezet használata során viseljen strapabíró védőkesztyűt. A kés nagyon éles, könnyen megvághatja magát.
- A legjobb és legbiztonságosabb

- teljesítmény érdekében tartsa a vágóéleket élesen és tisztán.
- Rendszeresen ellenőriztesse a gépet a szakszervizzel, és végeztesse el a szükséges beállításokat és javításokat.
 - A sérült, kopott vagy törött alkatrészt cserélje ki.
 - Kövesse a tartozékcsereére vonatkozó utasításokat. Kizárólag a gyártótól származó tartozékokat használja.
- Ha nincs használatban, tartsa a terméket, az akkumulátort és az akkumulátortöltőt elkülönítve egy száraz, beltéri és zárt területen. Gondoskodjon róla, hogy gyermekek és felhatalmazással nem bíró személyek ne férhessenek hozzá a termékhez, az akkumulátorhoz és az akkumulátortöltőhöz.

Összeszerelés

Bevezető



FIGYELMEZTETÉS: A termék összeszerelése előtt olvassa el a biztonságra vonatkozó fejezetet.

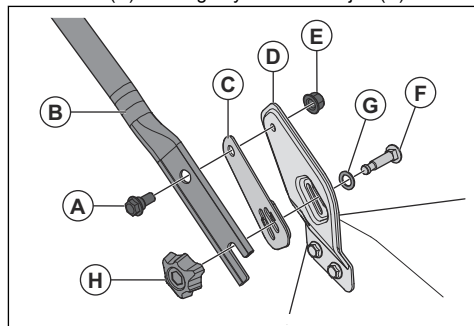


FIGYELMEZTETÉS: Az LC 141iV, LC 141i modell esetében: A véletlen beindítás elkerülése érdekében az összeszereléskor fordítsa a biztonsági kulcsot „0” állásba, vegye ki az akkumulátort, és várjon legalább 5 másodpercet.

Az LC 141C modell esetében: A véletlen beindítás elkerülése érdekében az összeszerelés során húzza ki a tápkábelt.

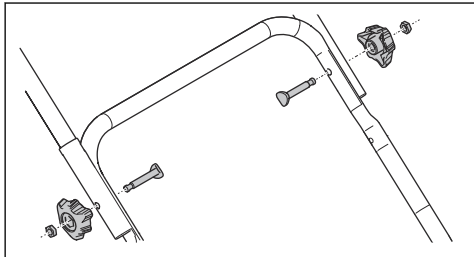
A fogantyú összeszerelése

1. Nyomja át a csavart (A) a fogantyún (B), a műanyag alátétet (C) és a fogantyú tartókonzolja (D).

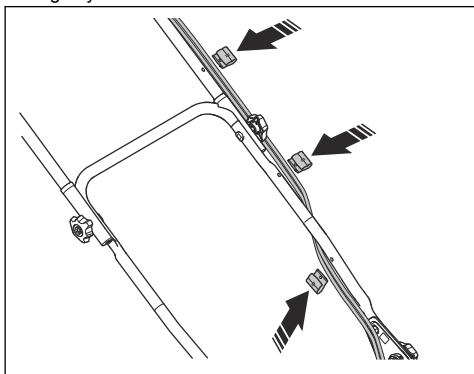


2. Húzza meg teljesen az anyát (E).
3. Nyomja át a csavart (F) az alátétet (G) és a fogantyú tartókonzolja.
4. Húzza meg teljesen a gombot (H).

- Igazítsa össze a fogantyú nyílásait az alsó fogantyú nyílásaival, majd rögzítse a csavarokat, alátéteket és gombokat. Teljesen húzza meg a gombokat.

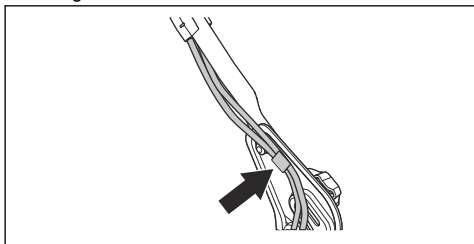


- A kábeltartók segítségével rögzítse a kábeleket a fogantyúhoz.



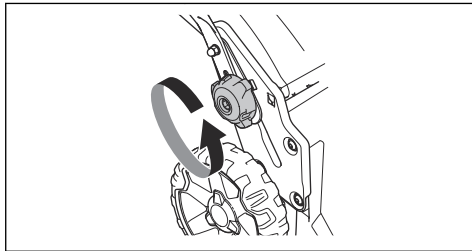
Megjegyzés: Győződjön meg róla, hogy a kábelek nem túl feszesek. Ha a kábelek túlságosan feszesek, a fogantyú szállítási helyzetbe történő összehajtásakor megsérülhetnek.

- Helyezze a kábeleket a fogantyú aljánál lévő horogra.

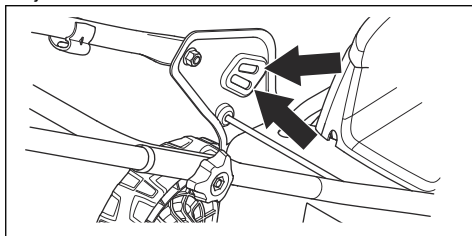


A fogantyúmagasság beállítása

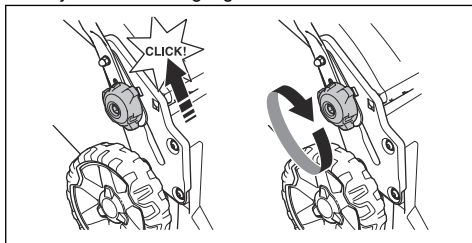
- Lazítsa meg az alsó csavarokat.



- Távolítsa el a bal és jobb oldalon található gombokat, alátéteket és csavarokat.
- A fogantyú 2 különböző magasságba állítható. Helyezze a csavarokat a 2 lyuk egyikébe a bal és jobb oldalon.

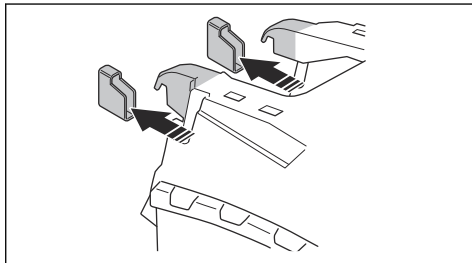


- Rögzítse a csavarokat, alátéteket és gombokat.
- A gombokat ütközésig csúsztassa a fogantyú irányába, amíg egy kattanó hangot nem hall. Teljesen húzza meg a gombokat.

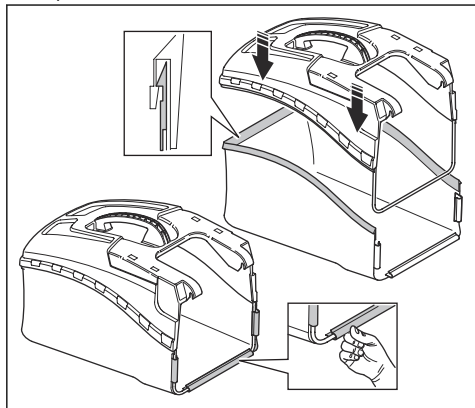


A fűgyújtó doboz felszerelése

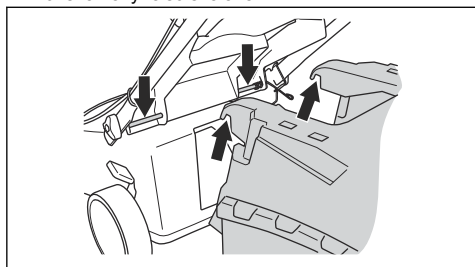
- Nyomja kifelé, majd lefelé a 2 szállítótókot.



2. Csatlakoztassa a fűgyújtó felső részét a fűgyújtó alsó részéhez. Rögzítse a fűgyújtó keretet a kapcsokkal.

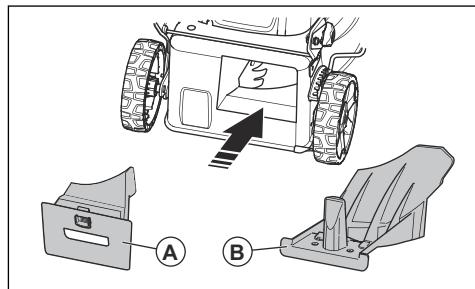


3. Emelje fel a hátsó burkolatot.
4. Csatlakoztassa a fűgyújtón levő kampókat a vázszekrény felső széléhez.



A mulcsozókészlet összeszerelése

1. Emelje fel a hátsó burkolatot, és vegye ki a fűgyújtót.
2. Helyezze a mulcsozó dugót a fűkibó csatornába. Az „A” típusú mulcsozó dugó az LC 141i és LC 141C modellekkel használható. A B típus az LC 141iV modellhez való.



3. Zárja vissza a hátsó burkolatot.
4. Cserélje ki a kést a kombinált késre, lásd: *A kés eltávolítása és cseréje 330. oldalon.*

Üzemeltetés

Bevezető



FIGYELMEZTETÉS: A termék működtetése előtt el kell olvasnia és meg kell értenie a biztonságról szóló fejezetet.

Husqvarna Connect

A Husqvarna Connect egy ingyenes mobilalkalmazás. A Husqvarna Connect alkalmazás kibővített funkciókat biztosít Husqvarna termékéhez:

- Bővebb termékinformációk.
- Információk és segítség a termékalkatrészekkel és a szervizeléssel kapcsolatban.

A Husqvarna Connect használatának megkezdése

1. Töltse le a Husqvarna Connect alkalmazást mobilkészletére.

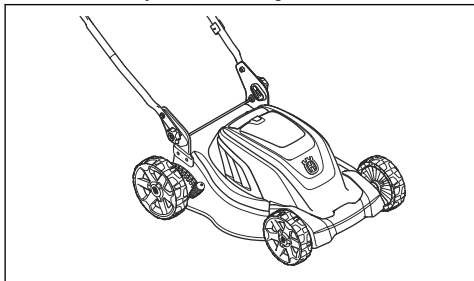
2. Regisztráljon egy fiókot a Husqvarna Connect alkalmazásban.

3. A termék csatlakoztatásához és regisztrálásához kövesse a Husqvarna Connect alkalmazásban megjelenő utasításokat.

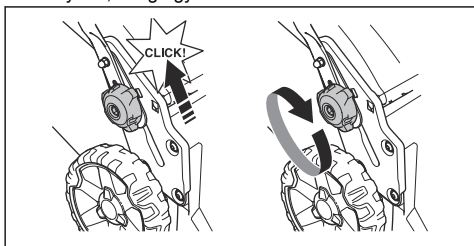
A termék működési pozícióba állítása

Ha a fogantyú szállítási és tárolási helyzetbe van hajtva (Lásd: *A termék szállítási pozícióba állítása 332. oldalon*), kövesse az alábbi lépéseket a fogantyú működési pozícióba állításához.

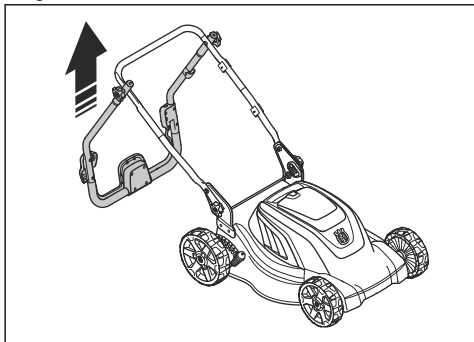
1. Emelje fel a fogantyút, amíg az alsó fogantyú működési helyzetben nem rögzül.



2. Az alsó gombokat ütközésig csúsztassa a fogantyú irányába, amíg egy kattantást nem hall.



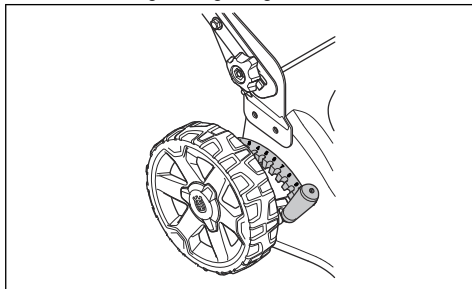
3. Húzza meg a gombokat.
4. Emelje fel a felső fogantyút, és húzza meg a gombokat.



A vágási magasság beállítása

1. Mozgassa a vágási magasságot szabályozó kart hátrafelé a vágási magasság növeléséhez.

2. Mozgassa a vágási magasságot szabályozó kart előre felé a vágási magasság csökkentéséhez.



VIGYAZAT: Ne állítsa túl alacsonyra a vágási magasságot. A kések a talajba ütközhetnek, ha a pázsit felülete nem egyenletes.

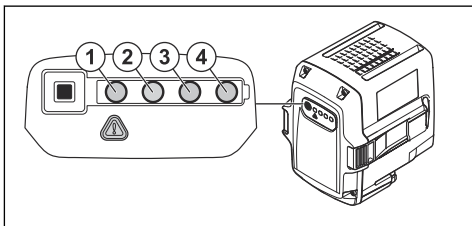
Akkumulátor



FIGYELMEZTETÉS: Az akkumulátor használata előtt el kell olvasnia és meg kell értenie a biztonságról szóló fejezetet. Olvassa el figyelmesen az akkumulátorhoz és az akkumulátortöltőhöz mellékelt használati útmutatót is.

Akkumulátorállapot

A kijelző jelzi az akkumulátor töltöttségét, valamint azt, hogy van-e valami probléma az akkumulátorral. Az akkumulátortöltöttség jelzése 5 másodpercig látható a termék kikapcsolása, illetve az akkumulátorjelző gomb megnyomása után. Hiba esetén az akkumulátor figyelmeztető lámpája világít. Lásd: *Akkumulátor330. oldalon.*



LED lámpák	Akkumulátorállapot
Minden LED világít	Teljes töltöttség (75–100%)
Az 1., 2. és 3. LED világít	Az akkumulátor töltöttsége 50–75%-os
Az 1. és 2. LED világít	Az akkumulátor töltöttsége 25–50%-os

LED lámpák	Akkumulátorállapot
Az 1. LED világít	Az akkumulátor töltöttsége 0–25%-os
Az 1. LED villog.	Az akkumulátor lemerült. Töltse fel az akkumulátort.

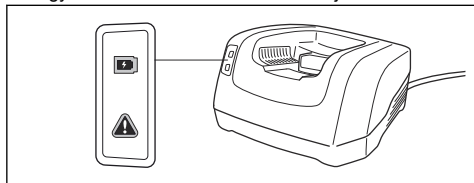
Az akkumulátor töltése

Az első használat előtt töltse fel az akkumulátort. Az akkumulátor gyárilag csak 30%-ra van feltöltve.

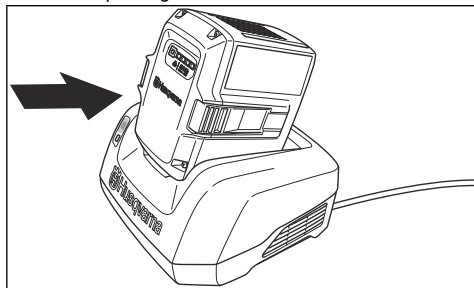
Megjegyzés: Az akkumulátortöltőt a típus táblán szereplő feszültségű és frekvenciájú áramforráshoz kell csatlakoztatni.

Ha az akkumulátor hőmérséklete 50 °C felett van, a töltés nem indul el. Az akkumulátortöltő csökkenti az akkumulátor hőmérsékletét, mielőtt megkezdené annak töltését.

1. Csatlakoztassa az akkumulátortöltőhöz való tápkábel egyik végét az akkumulátortöltő aljzatához.
2. Csatlakoztassa az akkumulátortöltőhöz való tápkábel másik végét egy földelt hálózati aljzathoz. Egyszer zölden felvilágít a töltő LED-je.



3. Helyezze az akkumulátort a töltőbe. Az akkumulátor és a töltő közötti helyes érintkezésről a töltőn lévő zöld lámpa világítása tanúskodik.



4. Ha az akkumulátoron az összes LED világít, az akkumulátor teljesen fel van töltve. Az akkumulátort legfeljebb 24 óráig töltsé.
5. Az akkumulátortöltő fali aljzatból történő kihúzásához a dugaszt húzza, ne a tápkábelt.
6. Vegye ki az akkumulátort a töltőből.

Akkumulátortöltési állapot

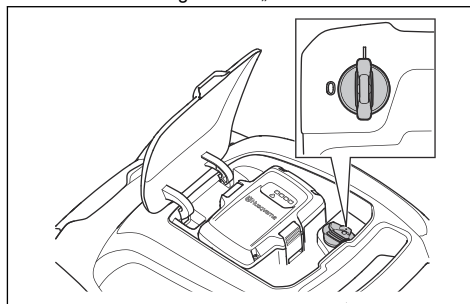
A Husqvarna lítiumion-akkumulátorok bármilyen töltöttségi szintnél tölthetők vagy használhatók. Ez nem árt az akkumulátornak. A teljesen feltöltött akkumulátor a töltőkészülékben hagyva sem veszít a töltöttségéből.

LED-es kijelző	Töltési állapot
Az 1. LED villog.	0%–25%
Az 1. LED világít, a 2. LED villog	25%–50%
Az 1. és 2. LED világít, a 3. LED villog.	50%–75%
Az 1., 2. és 3. LED világít, a 4. LED villog.	75%–100%
Az 1., 2., 3. és 4. LED világít	Teljesen feltöltve

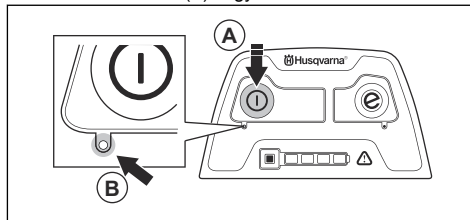
Az LC 141iV és LC 141i működtetése

A termék elindítása

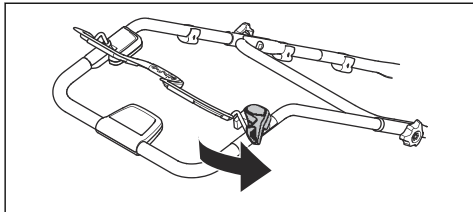
1. Helyezze a feltöltött akkumulátort az akkumulátorrekeszbe.
2. Állítsa a biztonsági kulcsot „1” állásba.



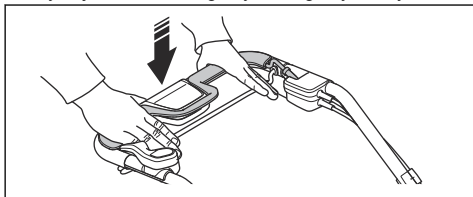
3. Maradjon a termék mögött.
4. Nyomja meg a vezérlőpanel ON/OFF gombját (A), ekkor a zöld LED (B) felgyullad.



5. Oldja ki az indításgátlót.

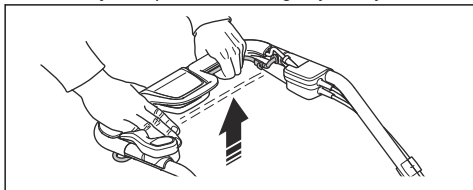


6. Nyomja a motorfékogantyút a fogantyú irányába.

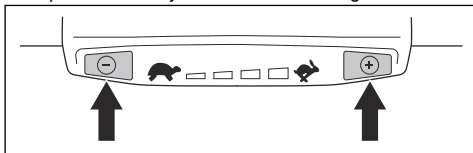


A kereken levő meghajtó használata

- LC 141iV modell. A meghajtás indításához húzza a kerékajtás kapcsoló kart a fogantyú irányába.



- A vezérlőpanel + és - gombjainak megnyomásával 4 lépésben állíthatja a haladási sebességet.

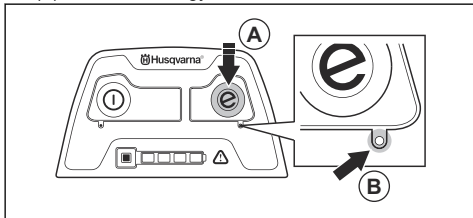


- Engedje el a kerékajtás kapcsoló kart, hogy kikapcsolja a meghajtást, például amikor akadály közelébe ér.

A SavE funkció használata

A termék akkumulátorkímélő funkcióval (SavE) rendelkezik, amely hosszabb üzemidőt biztosít.

1. A funkció elindításához nyomja meg a SavE gombot (A). A zöld LED felgyullad.



2. A funkció leállításához nyomja meg ismét a SavE gombot. A zöld LED (B) kialszik.

A SavE funkció automatikusan leáll, ha a talajkörülmények nagyobb teljesítményt követelnek meg. A SavE funkció automatikusan bekapcsol, ha a talajkörülmények lehetővé teszik.

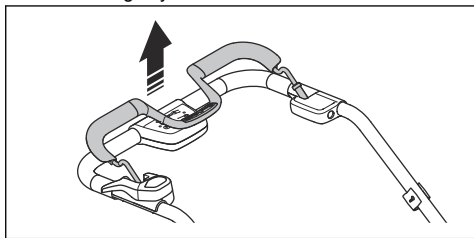
Nagy terhelésű üzemmód funkció

Ha a termékkel hosszú vagy nedves fűvet vág, a motor automatikusan növeli a fordulatszámot. A motor normál módba tér vissza, ha a nincs szükség nagy terhelésre.

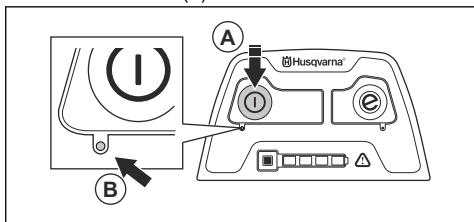
A termék leállítása

A termék automatikusan leáll, ha 10 percig nem használja. Mindig állítsa a biztonsági kulcsot „0” állásba, ha a terméket felügyelet nélkül hagyja.

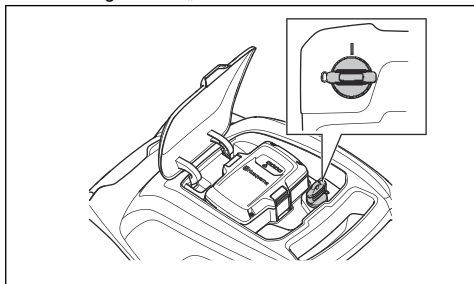
1. A motor leállításához engedje fel a motorfékogantyút.



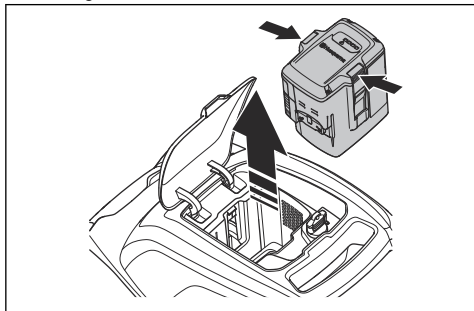
2. Nyomja meg a vezérlőpanel ON/OFF gombját (A), ekkor a zöld LED (B) kialszik.



3. Nyissa fel az akkumulátorfedelelet, és fordítsa a biztonsági kulcsot „0” állásba.



4. Az akkumulátor eltávolításához nyomja meg a két kioldógombot, és húzza ki az akkumulátort.



5. Töltse fel a gyenge töltöttségű akkumulátort. További tudnivalókat lásd: *Az akkumulátor töltése* 325. oldalon.

Az LC 141C működtetése

Elfogadott kábel választása (LC 141C)

Megjegyzés: Az Egyesült Királyságban kizárólag a termékhez mellékelte 16 m-es hosszabbítókábelt használja. Egyéb országok esetén tekintse át az alábbi információkat.

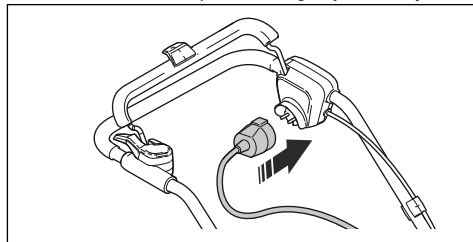
Ha hosszabbítókábelt használ, annak meg kell felelnie az alábbi táblázatban szereplő minimális keresztmetszetre vonatkozó előírásoknak:

Feszültség	Kábel hossza	Keresztmetszet
220-240 V / 50 Hz	Max. 20 m	1,5 mm ²
220-240 V / 50 Hz	20-50 m	2,5 mm ²

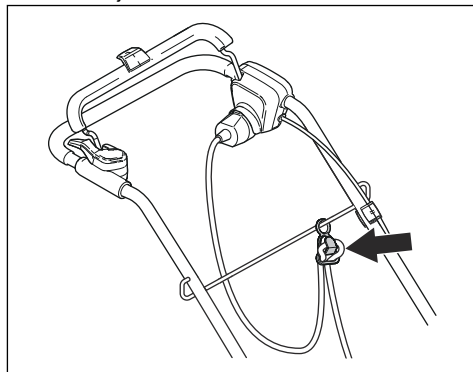
- Hálózati kábelek és hosszabbító zsinórok a helyi Husqvarna kültéri termékekre szakosodott hivatalos márkaszervizben kaphatók.
- Kizárólag kültéri használatra tervezett, az alábbi szabványok közül legalább az egyiknek megfelelő hosszabbítókábeleket használjon: Normál gumi (60245 IEC 53), normál PVC (60227 IEC 53) vagy normál PCP (60245 IEC 57)
- A sérülések és a veszély elkerülése végett, ha tápkábel megsérült, azt a gyártónak, szervizműhelynek vagy képzett szakembernek kell kicserélnie.

A termék elindítása

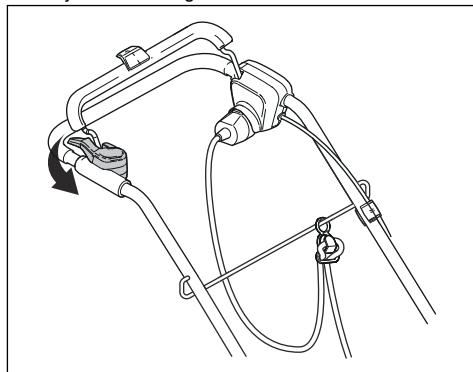
1. Csatlakoztassa a tápkábelt a fogantyú alatti aljzattba.



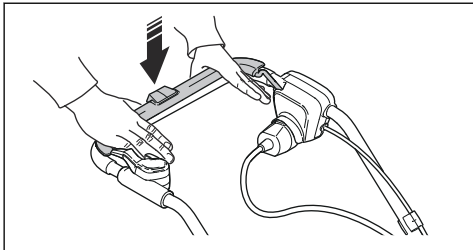
2. Helyezze a tápkábelt a tápkábeltartóba. Lásd az *A tápkábeltartó használata (LC 141C modell)* 317. oldalon fejezetet.



3. Maradjon a termék mögött.
4. Oldja ki az indítógátót.

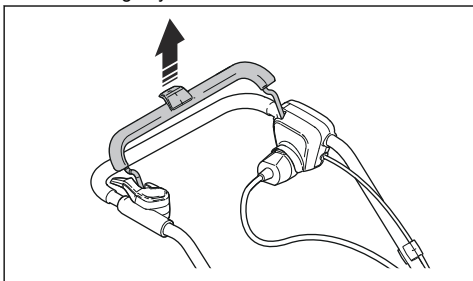


5. Nyomja a motorfékfogantyút a fogantyú irányába.

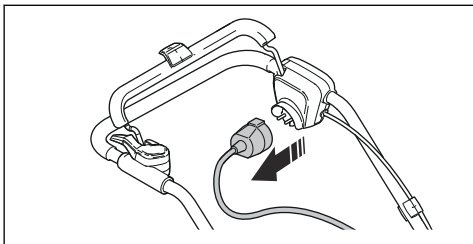


A termék leállítása

1. A motor leállításához engedje fel a motorfékfogantyút.



2. Húzza ki a tápkábelt a hálózati aljzattól, majd a termékből.



VIGYÁZAT: Egyenesen húzza ki a dugaszt. Ne a hálózati tápkábelt húzza.

Megfelelő eredmény elérése

- Használjon mindig éles kést. A tompa kés egyenetlen eredményt ad, és a fű vágási felülete megsárgul. Az éles kés egyben kevesebb energiát igényel, mint a tompa kés.
- Ne nyírjon le többet a fű hosszának $\frac{1}{3}$ -ánál. Először nagy vágási magasságot állítson be, és úgy nyírjon. Vizsgálja meg az eredményt, és csökkentse a vágási magasságot egy megfelelő szintre. Ha nagyon magas a fű, lassan és szükség esetén 2-szer nyírjon.
- Minden alkalommal más irányban haladjon, hogy ne alakuljanak ki sávok a pázsiton.

Karbantartás

Bevezető



FIGYELMEZTETÉS: Karbantartás előtt el kell olvasnia és meg kell értenie a biztonságról szóló fejezetet.

A gépen végzett minden szerviz- és javítási munkát szakképzettséget igényel. Garantáljuk a professzionális javítások és szervizelés lehetőségét. Ha viszonteladója nem szervizműhely, forduljon hozzájuk a legközelebbi szervizműhellyel kapcsolatban.

Karbantartási terv

A karbantartási intervallumok meghatározásakor a termék napi használatát feltételeztük. Az intervallum változik, ha a terméket nem napi rendszerességgel használja.

A * szimbólummal jelölt karbantartási műveletekkel kapcsolatban lásd: *Biztonsági eszközök a terméken 316. oldalon.*

LC 141iV, LC 141i és LC 141C	Minden használat során	Havonta	Évszakonként
Végezzen általános ellenőrzést.	X		
Tisztítsa meg a terméket.	X		
Ellenőrizze az indításgátlót *.	X		
Ellenőrizze, hogy nem hibásak-e a termék biztonsági eszközei *.	X		
Ellenőrizze a vágószerkezetet.	X		
Ellenőrizze a vágóburkolatot *.	X		
Ellenőrizze a motorfékgantyút *.	X		

Csak az LC 141iV és LC 141i	Minden használat során	Havonta	Évszakonként
Győződjön meg az ON/OFF gomb megfelelő, hibátlan működéséről.	X		
Ellenőrizze, nem sérült-e az akkumulátor.	X		
Ellenőrizze az akkumulátor töltöttségét.	X		
Ellenőrizze, működnek-e az akkumulátor kioldógombjai, és megfelelően rögzül-e az akkumulátor a termékben.	X		
Ellenőrizze az akkumulátortöltő épségét; győződjön meg arról, hogy megfelelően működik-e.		X	
Ellenőrizze az akkumulátor és a termék közötti csatlakozásokat. Ellenőrizze az akkumulátor és az akkumulátortöltő közötti csatlakozásokat is.			X

Általános ellenőrzés

- Ellenőrizze, hogy az anyák és csavarok meg vannak-e szorítva a terméken.
- Ellenőrizze, hogy a termék kábelei úgy helyezkednek-e el, hogy ne tudjanak megsérülni.

A termék tisztítása

- A műanyag részeket tiszta, száraz törlőkendővel tisztítsa.
- A termék tisztításához ne használjon vizet. A víz az akkumulátorba vagy a motorba jutva azok rövidzárlatát vagy a termék károsodását okozhatja.
- Ne használjon nagynyomású mosót a termék tisztításához.
- Ne irányítsa a vízsugarat közvetlenül a motorra.
- Kefével távolítsa el a leveleket, a fűvet és az egyéb szennyeződések.

Az akkumulátor és az akkumulátortöltő tisztítása



VIGYÁZAT: Soha ne tisztítsa vízzel az akkumulátort vagy az akkumulátortöltőt.

- Mielőtt az akkumulátort a töltőkészülékbe helyezné, győződjön meg róla, hogy az akkumulátor és az akkumulátortöltő tiszta és száraz-e.
- Az akkumulátorsaruk tisztítását sűrített levegővel vagy egy puha és száraz ruhával végezze.
- Az akkumulátor és a töltőkészülék felületének tisztítását puha és száraz ruhával végezze.

A vágószerkezet ellenőrzése



FIGYELMEZTETÉS: Az LC 141iV és LC 141i modell esetében: A véletlen beindítás elkerülése érdekében fordítsa a biztonsági kulcsot „0” állásba, vegye ki az

akkumulátort, és várjon legalább 5 másodpercet.

Az LC 141C modell esetében: A véletlen beindítás elkerülése érdekében húzza ki a tápkábelt.



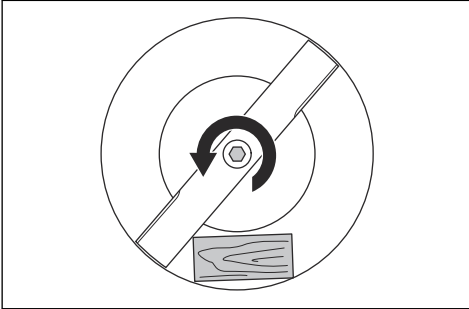
FIGYELMEZTETÉS: A vágószerszemet karbantartásakor használjon védőkesztyűt. A kés nagyon éles, könnyen megvághatja magát.

1. Ellenőrizze a vágószerszemet sérülés, repedés szempontjából. Mindig cserélje ki a sérült vágószerszemet.
2. Nézze meg a kést, hogy sérült-e vagy tompa-e.

Megjegyzés: A kés élezését követően ki kell egyensúlyozni. Végeztesse a kés élezését, cseréjét és kiegyensúlyozását szervizközponttal. Ha olyan akadályba ütközött, amely megállította a terméket, cserélje ki a sérült kést. Vizsgáltassa meg a szervizközpontban, hogy élezhető-e a kés, vagy pedig cserét igényel-e.

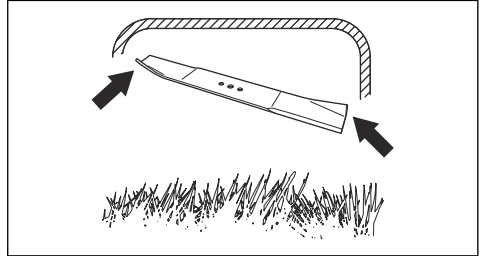
A kés eltávolítása és cseréje

1. Rögzítse a kést egy fadarabbal.

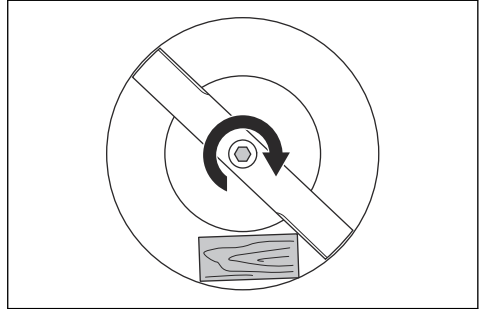


2. Távolítsa el a késtartó csavart.
3. Vegye le a kést.
4. Ellenőrizze a késtámaszt és a késtartó csavart, hogy sérült-e.

5. Ellenőrizze a motor tengelyét, hogy nincs-e meghajolva.
6. Az új kés rögzítésekor a kés ferde vége a vágóburkolat felé nézzen.



7. Győződjön meg róla, hogy a kés igazodik a motortengely középpontjához.
8. Rögzítse a kést egy fadarabbal. Helyezze fel a rugós alátétet, és húzza meg a csavart 20 Nm nyomatékkal.



9. Forgassa meg a kést kézzel, és figyelje, hogy szabadon forog-e.



FIGYELMEZTETÉS:

Használjon strapabíró kesztyűt. A kés nagyon éles, könnyen megvághatja magát.

10. Indítsa be a terméket, hogy tesztelje a kést. Ha a kés nincs megfelelően rögzítve, a termékben rezgés tapasztalható, vagy a vágási eredmény nem kielégítő.

Hibaelhárítás

Akkumulátor

LED az akkumulátoron	Ok	Megoldás
A zöld LED villog.	Az akkumulátor feszültsége alacsony.	Töltse fel az akkumulátort. Lásd: <i>Az akkumulátor töltése</i> 325. oldalon.

LED az akkumulátoron	Ok	Megoldás
Villog a hibajelző LED.	Az akkumulátor töltöttségi szintje alacsony.	Töltse fel az akkumulátort. Lásd: <i>Az akkumulátor töltése 325. oldalon.</i>
	A munkakörnyezet hőmérséklete túl magas vagy túl alacsony.	Az akkumulátort -10 °C és 40 °C közötti hőmérsékleten használja.
	Túlfeszültség.	Győződjön meg róla, hogy a hálózati feszültség megegyezik-e a termék adattábláján szereplő feszültségértékkel. Vegye ki az akkumulátort a töltőből. Várjon 5 másodpercet, majd próbálja újra feltölteni az akkumulátort. Ha a probléma továbbra is fennáll, lépjen kapcsolatba egy hivatalos szakszervizzel.
A hibajelző LED világít.	Túl nagy a cellák közötti különbség (1 V).	Forduljon egy hivatalos szakszervizhez.

Akkumulátortöltő

LED az akkumulátor-töltőn	Ok	Megoldás
Villog a hibajelző LED.	A munkakörnyezet hőmérséklete túl magas vagy túl alacsony.	Az akkumulátortöltőt 5 °C és 40 °C közötti hőmérsékleten használja.
A hibajelző LED világít.		Forduljon egy hivatalos szakszervizhez.

Vezérlőpanel

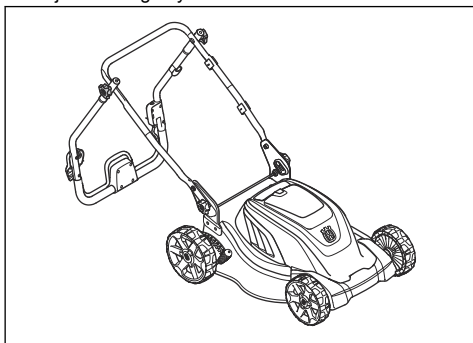
A jelen szakaszban nem ismertetett hibák esetén forduljon a szakszervizhez.

Billyentyűzet	Lehetséges hibák	Lehetséges megoldás
Villog a hibajelző LED	A motor túlterhelt	Növelje a vágási magasságot. Lásd: <i>A vágási magasság beállítása</i> 324. oldalon.
	A motor fordulatszáma túlságosan lecsökken, végül a motor leáll	
	A motor vezérlése túl forró	Állítsa le a motort, és várjon, amíg lehűl
	A kést valami akadályozza.	A véletlen beindítás elkerülése érdekében fordítsa a biztonsági kulcsot „0” állásba, vegye ki az akkumulátort, és várjon legalább 5 másodpercet. Győződjön meg róla, hogy a kés szabadon tud forogni. Ha a probléma továbbra is fennáll, lépjen kapcsolatba egy hivatalos szakszervizzel
	Akkumulátorhiba, vagy nincs jel az akkumulátortól	Helyezze be megfelelően az akkumulátort, és ellenőrizze az akkumulátorcsatlakozót. Ha az akkumulátoron lévő hibajelző LED villog, lásd: <i>Akkumulátor</i> 330. oldalon.
A termék leáll	Az akkumulátor töltöttségi szintje alacsony	Töltse fel az akkumulátort. Lásd: <i>Az akkumulátor töltése</i> 325. oldalon.
	Akkumulátorcsatlakozó hiba	Vizsgálja meg az akkumulátor csatlakozóját

Szállítás, tárolás és ártalmatlanítás

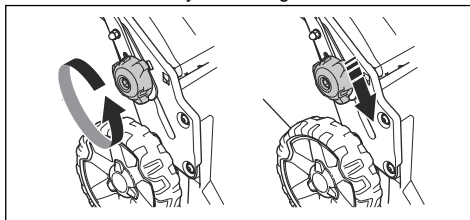
A termék szállítási pozícióba állítása

- Amennyiben fel van helyezve, távolítsa el a fűgyűjtőt.
- Lazítsa meg a gombokat a felső fogantyún, majd hajtsa le a fogantyút.

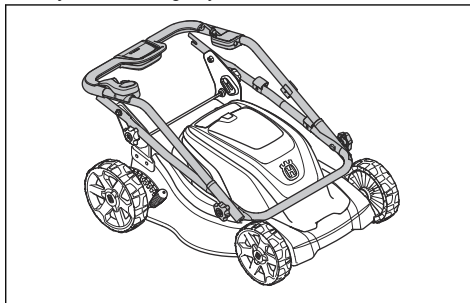


- Lazítsa meg az alsó csavarokat.

- A gombokat a termék bal és jobb oldalán is csúsztassa a hornyok alsó végébe.



- Hajtsa előre a fogantyút.



Szállítás

- A mellékelt lítium-ion akkumulátorokra a veszélyes anyagokra vonatkozó jogszabályok követelményei érvényesek.
- Kereskedelmi szállításnál be kell tartani a csomagoláson és címkéken szereplő speciális előírásokat.
- Ügyeljen rá, hogy betartsa a veszélyes anyagokra vonatkozó jogszabályokat a termék szállításra való előkészítésekor. Az esetleges helyi jogszabályokat is be kell tartani.
- Szállításhoz mindig vegye ki az akkumulátort.
- Tegyen ragasztószalagot az akkumulátor csatlakozóira, és gondoskodjon róla, hogy az akkumulátor ne mozdulhasson el a szállítás során.
- Szállításkor rögzítse a terméket.

Tárolás

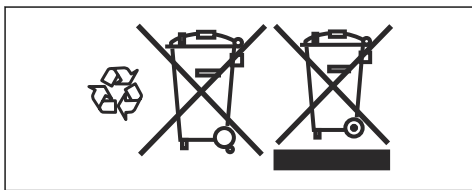
- Tároláshoz mindig vegye ki az akkumulátort.
- A baleset megelőzése érdekében tároláskor az akkumulátor ne csatlakozzon a termékhez.
- Az akkumulátortöltőt zárt, száraz helyen tárolja.
- Az akkumulátort és az akkumulátortöltőt száraz helyen tárolja, ahol nem alakul ki nedvesség vagy fagy.
- A tárolás során csatlakoztassa le az akkumulátort az akkumulátortöltőtől.
- Ne tartsa az akkumulátort olyan helyen, ahol elektrosztatikus töltés lehet jelen. Ne tartsa az akkumulátort fém dobozban.
- Olyan helyen tárolja az akkumulátort, ahol a hőmérséklet mindig 5 és 25 °C közé esik, és védve van a napfénytől.

- Olyan helyen tárolja az akkumulátortöltőt, ahol a hőmérséklet mindig 5 és 45 °C közé esik, és védve van a napfénytől.
- A hosszú ideig való tárolás előtt győződjön meg róla, hogy az akkumulátor legalább 30–50%-os töltöttségű.
- Tartsa a terméket, az akkumulátort és az akkumulátortöltőt gyermekektől és jogosulatlan személyektől elzárt területen.
- A hosszú ideig való tárolás előtt tisztítsa meg a terméket, és végezze el annak teljes karbantartását.

Hulladékként való kezelés

A terméken vagy a csomagolásán található szimbólum azt jelzi, hogy ezt a terméket nem szabad a háztartási hulladék közé helyezni. A megfelelő újrafeldolgozó pontra el kell juttatni az elektromos és elektronikus berendezések hasznosítása érdekében.

A termék megfelelő kezelésének biztosításával segíthet kiküszöbölni azokat a környezetre és az emberre gyakorolt potenciális negatív hatásokat, amelyeket a termék helytelen hulladékkezelése okozhat. A termék újrahasznosításával kapcsolatban az önkormányzat, a hulladéktátraltalanítási szolgáltatást végző vállalkozás, illetve a terméket értékesítő szakkereskedés nyújthat részletesebb tájékoztatást.



Műszaki adatok

Az LC 141iV és az LC 141i műszaki adatai

	LC 141iV	LC 141i
Nyírómotor		
Motor típus	BLDC (kefe nélküli) 36 V	BLDC (kefe nélküli) 36 V
Motor fordulatszáma – SavE, ford./perc	2700	2700
Motor fordulatszáma – Névleges, ford./perc	3100	3100
Motor fordulatszáma – nagy terhelés, ford./perc	3700	3700
Motor teljesítménye – max. kW	0,8	0,8
Motor teljesítménye – névleges, kW	0,55	0,55
Hajtómotor		
Motor teljesítménye – névleges, kW	0,25	NA
Önjárás sebessége, km/h	3,0-4,5	NA

	LC 141IV	LC 141i
Sebességfokozatok száma	4	NA
Tömeg		
Tömeg akkumulátor nélkül, kg	21,5	18,6
Akkumulátor ⁷⁸		
Akkumulátor típusa	Husqvarna akkumulátor sorozat	Husqvarna akkumulátor sorozat
Akkumulátor üzemiideje		
Akkumulátor üzemidő, min., (üresjárat) SavE funkcióval, egy 5,2 Ah-s Husqvarna (BLi200) akkumulátorral.	77	77
Akkumulátor üzemidő, min., (üresjárat) normál üzemmódban, egy 5,2 Ah-s Husqvarna (BLi200) akkumulátorral.	45	45
Zajkibocsátás ⁷⁹		
Hangteljesítményszint, mért dB (A) érték	88	88
Hangteljesítményszint, garantált, L _{WA} dB (A)	89	89
Zajszintek ⁸⁰		
Hangnyomásszint a felhasználó fülénél, dB (A)	83	83
Rezgésszintek ⁸¹		
Fogantyú, m/s ²	2,0	2,0
Vágás		
Vágási magasság, mm	25-70	25-70
Vágási szélesség, cm	41	41
Kés, cikkszám	Gyűjtő - 5011716-01	Gyűjtő - 5011716-01
Fűgyűjtő űrtartalma, liter	50	50

Jóváhagyott akkumulátorok	Márka	Típus	Akkumulátor kapacitása, Ah	Feszültség, V	Tömeg, font/kg
BLi10	Husqvarna	Lítium-ion	2,0	36	1,8/0,8
BLi100	Husqvarna	Lítium-ion	2,6	36	1,9/0,8
BLi20	Husqvarna	Lítium-ion	4,0	36	2,7/1,2

⁷⁸ A legjobb eredményhez és teljesítményhez a Husqvarna BLi200 akkumulátor ajánlott.

⁷⁹ A környezetben a 2000/14/EK sz. EK irányelvvel összhangban hangteljesítményként mért zajkibocsátás (L_{WA}).

⁸⁰ A zajnyomásszintre vonatkozó jelentési adatok az 1,2 dB (A) tipikus statisztikus ingadozásával (szórásával) rendelkeznek.

⁸¹ A rezgésszintre vonatkozó jelentési adatok 0,2 m/s² tipikus statisztikus ingadozással (szórással) rendelkeznek.

Jóváhagyott akkumulátorok	Márka	Típus	Akkumulátor kapacitása, Ah	Feszültség, V	Tömeg, font/kg
BLi200	Husqvarna	Lítium-ion	5,2	36	2,8/1,3
BLi300	Husqvarna	Lítium-ion	9,4	36	4,1/1,9

A megadott akkumulátorokhoz jóváhagyott töltők,	Márka	Bemeneti feszültség, V	Frekvencia, Hz	Teljesítmény, W
QC80	Husqvarna	100-240	50-60	80
QC80F	Husqvarna	12	0	80
QC250	Husqvarna	220-240	50	250
QC330	Husqvarna	100-240	50-60	330
QC500	Husqvarna	100-240	50-60	500

Műszaki adatok LC 141C

LC 141C	
Motor	
Motortípus	Váltóáramú motor
Motor fordulatszám – Névleges, ford./perc	3200
Teljesítmény	1800 W
Áramforrás	Vezetékes, elektromos
Tápkábel (csak az Egyesült Királyság esetén mellékelve)	
Kábel típusa	16 m-es hosszabbító kábel
Tömeg, kg	1,6
Tömeg	
Tömeg, kg	20,4
Zajkibocsátás ⁸²	
Hangteljesítményszint, mért dB (A) érték	93
Hangteljesítményszint, garantált, L _{WA} dB (A)	95
Zajszintek ⁸³	
Hangnyomásszint a felhasználó fülénél, dB (A)	85
Rezgésszintek ⁸⁴	

⁸² A környezetben a 2000/14/EK sz. EK irányelvvel összhangban hangteljesítményként mért zajkibocsátás (L_{WA}).

⁸³ A zajnyomásszintre vonatkozó jelentési adatok az 1,4 dB (A) tipikus statisztikus ingadozásával (szórásával) rendelkeznek.

⁸⁴ A rezgésszintre vonatkozó jelentési adatok az 0,2 m/s² tipikus statisztikus ingadozásával (szórásával) rendelkeznek.

	LC 141C
Fogantyú, m/s ²	2,0
Vágás	
Vágási magasság, mm	25-70
Vágási szélesség, cm	41
Kés, cikkszám	Gyűjtés 5011716-01
Fűgyűjtő űrtartalma, liter	50

EK megfeleléségi nyilatkozat

EK megfeleléségi nyilatkozat

A **Husqvarna AB**, SE-561 82 Huskvarna, Svédország,
tel: +46-36-146500, kijelenti, hogy a **Husqvarna**
LC 141iV és LC 141i fűnyírók a 2018XXXXXXX
sorozatszámmal és a **Husqvarna LC 141C**
2015XXXXXXX sorozatszámmal kezdődően
megfelelnek az EGK TANÁCSA következő
IRÁNYELVEIBEN foglalt követelményeknek:

- a 2011. június 8-i, „egyes veszélyes anyagok alkalmazásának korlátozására vonatkozó” irányelv **2011/65/EU**
- a 2006. május 17-i, „gépekre vonatkozó” irányelv **2006/42/EK**
- a 2014. február 26-i, „elektromágneses megfelelésséggel kapcsolatos” irányelv **2014/30/EU**
- a 2000. május 8-i, „környezeti zajkibocsátással kapcsolatos” irányelv **2000/14/EK**

A zajszennyezésre vonatkozó tájékoztatást lásd a
Műszaki adatok c. fejezetben.

A következő szabványok kerültek alkalmazásra a(z)
Husqvarna LC 141iV és LC 141i típus tanúsításakor:
IEC 60335-2-77:2002, IEC 60335-1:2010+A1:2013, EN
55014-1:2017, EN 55014-2:2015, EN 61000-3-2:2014,
EN 61000-3-3:2013, EN 62233:2008

A következő szabványok kerültek alkalmazásra a(z)
Husqvarna LC 141C típus tanúsításakor: **EN**
60335-1:2012+A11:2014, EN 60335-2-77:2010, EN
62233:2008, EN 55014-1:2017+A11, EN 55014-2:2015,
EN 61000-3-2:2019, EN 61000-3-11:2019

Bejelentett tanúsítási szervezet: **0404, RISE SMP**
Svensk Maskinprovning AB, Box 7035, SE-750 07
Uppsala elvégezte a megfeleléségi felmérést a
2000/14/EK irányelv VI. mellékletének megfelelően.

Huskvarna, 2020-10-13



Claes Losdal, Fejlesztési Igazgató/Kertművelési
termékek (a Husqvarna AB hivatalos képviselője és a
műszaki dokumentációk felelőse)

Sommario

Introduzione.....	338	Ricerca guasti.....	359
Sicurezza.....	342	Trasporto, stoccaggio e smaltimento.....	360
Montaggio.....	350	Dati tecnici.....	362
Utilizzo.....	352	Dichiarazione di conformità CE.....	365
Manutenzione.....	357		

Introduzione

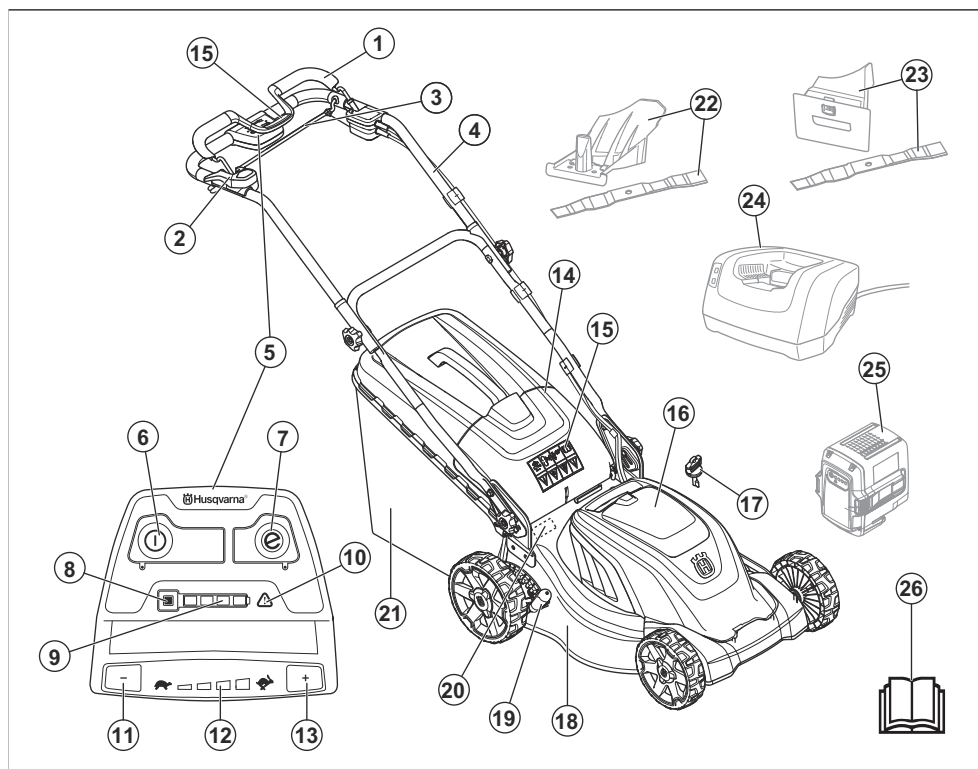
Descrizione del prodotto

Il prodotto è un rasaerba rotativo con operatore a piedi. L'erba viene raccolta in un raccoglierba. Rimuovere il raccoglierba per scaricare l'erba dalla parte posteriore del prodotto. Agganciare un kit di pacciamatura (accessorio) per tagliare l'erba da utilizzare come fertilizzante.

Uso previsto

Utilizzare il prodotto per tagliare l'erba. Non utilizzare il prodotto per altre attività.

Panoramica del prodotto LC 141iV / LC 141i

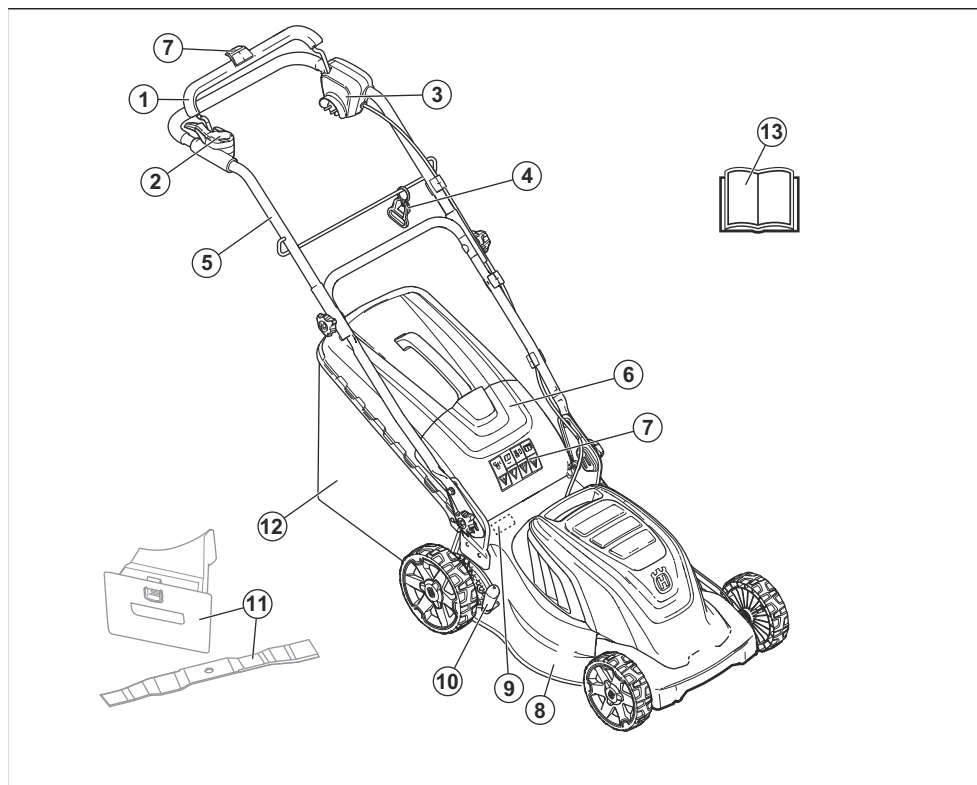


1. Impugnatura del freno motore
2. Inibitore di avviamento
3. Impugnatura di comando (LC 141iV)

4. Impugnatura / manubrio
5. Pannello di comando
6. Pulsante ON/OFF.

- | | |
|---|---|
| 7. Pulsante SavE | 17. Chiave di sicurezza |
| 8. Pulsante di indicatore di batteria | 18. Coperchio di taglio |
| 9. Indicatore di carica della batteria | 19. Leva dell'altezza di taglio |
| 10. Spia (LED DI ERRORE) | 20. Targhetta dati di funzionamento |
| 11. Pulsante per diminuire la velocità (LC 141iV) | 21. Raccoglierba |
| 12. Indicatore del livello di velocità (LC 141iV) | 22. Kit di mulching (accessorio per LC 141iV) |
| 13. Pulsante per aumentare la velocità (LC 141iV) | 23. Kit di mulching (accessorio per LC 141i) |
| 14. Coperchio posteriore | 24. Caricabatterie (accessorio) |
| 15. Simboli | 25. Batteria (accessorio) |
| 16. Coperchio della batteria | 26. Manuale operatore |

Panoramica del prodotto LC 141C



- | | |
|---------------------------------------|--|
| 1. Impugnatura del freno motore | 11. Spina di pacciamatura (accessorio) |
| 2. Inibitore di avviamento | 12. Raccoglierba |
| 3. Presa del cavo di alimentazione | 13. Manuale operatore |
| 4. Supporto del cavo di alimentazione | |
| 5. Impugnatura / manubrio | |
| 6. Coperchio posteriore | |
| 7. Simboli | |
| 8. Coperchio di taglio | |
| 9. Targhetta dati di funzionamento | |
| 10. Leva dell'altezza di taglio | |

Simboli riportati sul prodotto



Possano verificarsi lesioni anche mortali all'operatore o ai

passanti se il prodotto non viene usato con cautela e in modo corretto.



Leggere il Manuale dell'operatore e accertarsi di aver compreso le relative istruzioni prima di utilizzare questo prodotto.



Mantenere le persone e gli animali a una distanza di sicurezza dalla zona di lavoro.



Prestare attenzione a oggetti lanciati o rimbalzati.



Avvertenza: Tenere mani e piedi lontani dalla lama rotante.



Avvertenza: Tenere le mani e i piedi lontani dalle parti rotanti.



Rimuovere la chiave di sicurezza prima di eseguire la manutenzione del prodotto. (modello LC 141iV/LC 141i)



Scollegare il prodotto dalla presa elettrica prima di eseguire lavori di manutenzione sul prodotto. (modello LC 141C)

IPX1

IPX1 - Il prodotto è dotato di protezione contro il gocciolamento dell'acqua (modello LC 141iV/LC 141i)

IPX4

IPX4 - Il prodotto è dotato di protezione contro gli spruzzi d'acqua (modello LC 141C)



Non esporre il prodotto alla pioggia (modello LC 141iV/LC 141i)



Attenzione Non azionare il prodotto se il cavo di alimentazione si trova sotto poiché può provocare scosse elettriche o danni al prodotto. (modello LC 141C)





Il presente prodotto è conforme alle vigenti direttive CEE.

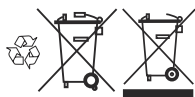


Emissioni di rumore nell'ambiente in base

alla direttiva della Comunità Europea. Le emissioni del prodotto sono indicate nel capitolo Dati tecnici e sull'etichetta.

 Corrente diretta. 36V

 Doppio isolamento.



Riciclare questo prodotto in una stazione di riciclaggio per apparecchiature elettriche ed elettroniche. (Solo per l'Europa)



Procedura di avviamento per il modello LC 141iV/ LC 141i: premere il pulsante ON/OFF, allentare l'inibitore di avviamento, spingere verso il basso l'impugnatura del freno motore.



Procedura di avviamento per il modello LC 141C: allentare l'inibitore di avviamento, spingere verso il basso l'impugnatura del freno motore.



Rilasciare l'impugnatura del freno motore per arrestare il motore.



Lento



Veloce



Codice scansionabile

Nota: I restanti simboli/decalcomanie sul prodotto riguardano particolari requisiti necessari per ottenere la certificazione in alcuni mercati.

Responsabilità del prodotto

Come indicato nelle leggi vigenti in materia di responsabilità obbligatoria sul prodotto, non siamo responsabili per eventuali danni causati dal nostro prodotto se:

- Il prodotto viene riparato in modo errato.
- Il prodotto viene riparato con parti che non provengono o non sono omologate dal produttore.
- Il prodotto contiene un accessorio che non proviene o non è omologato dal produttore.
- Il prodotto non viene riparato presso un centro di assistenza autorizzato o presso un'autorità competente.

Definizioni di sicurezza

Le avvertenze, le precauzioni e le note sono utilizzate per evidenziare le parti importanti del manuale.



AVVERTENZA: Utilizzato se è presente un rischio di lesioni o morte dell'operatore o di passanti nel caso in cui le istruzioni del manuale non vengano rispettate.



ATTENZIONE: Utilizzato se è presente un rischio di danni al prodotto, ad altri materiali oppure alla zona adiacente nel caso in cui le istruzioni del manuale non vengano rispettate.

Nota: Utilizzato per fornire ulteriori informazioni necessarie in una determinata situazione.

Istruzioni di sicurezza generali



AVVERTENZA: Leggere le seguenti avvertenze prima di utilizzare il prodotto.

- Questo prodotto è pericoloso se utilizzato in maniera impropria o se non si presta attenzione. La mancata osservanza delle istruzioni di sicurezza può causare lesioni anche fatali.
- Durante il funzionamento, questo prodotto genera un campo elettromagnetico. Tale campo può interferire, in alcuni casi, con persone portatrici di impianti medici attivi o passivi. Per ridurre il rischio di condizioni che possono implicare lesioni gravi o mortali, i portatori di tali impianti devono consultare il proprio medico e il produttore dell'impianto prima di utilizzare questo prodotto.
- Usare la massima cautela e il buon senso. Se non si è sicuri di come utilizzare il prodotto in una particolare situazione, fermarsi e rivolgersi al proprio rivenditore Husqvarna prima di continuare.
- Tenere presente che l'operatore potrà essere ritenuto responsabile di eventuali incidenti che coinvolgano altre persone o i loro beni.
- Tenere pulito il prodotto. Assicurarsi che sia possibile leggere chiaramente simboli e decalcomanie.
- Non consentire mai l'uso dell'apparecchio a bambini o persone che non conoscono le presenti istruzioni. Alcune normative locali possono limitare l'età dell'operatore
- Controllare sempre qualsiasi persona, dalle capacità fisiche o mentali ridotte, che utilizzi il prodotto. È necessaria sempre

la supervisione di un adulto responsabile.

- Non utilizzare l'apparecchio quando si è stanchi, ammalati o sotto effetto di alcool, farmaci o medicinali. Essi potrebbero compromettere la vista, l'attenzione, il coordinamento e il giudizio.
- Se difettoso, non utilizzare il prodotto.
- Non modificare il prodotto né utilizzarlo nel caso in cui vi sia la possibilità che sia stato modificato da altri.

Sicurezza dell'area di lavoro



AVVERTENZA: Leggere le seguenti avvertenze prima di utilizzare il prodotto.

- Rimuovere oggetti quali rami, ramoscelli o pietre dall'area di lavoro prima di utilizzare il prodotto.
- Gli oggetti che urtano contro l'attrezzatura di taglio potrebbero essere proiettati e causare danni a cose e persone. Mantenere persone e animali a una distanza di sicurezza dal prodotto.
- Non utilizzare mai il prodotto in condizioni meteorologiche avverse quali nebbia, pioggia, vento forte, freddo intenso e rischio di fulmini. L'uso del prodotto in condizioni meteorologiche avverse o in ambienti umidi è stancante. Condizioni meteorologiche avverse possono causare situazioni di pericolo quali superfici scivolose.
- Prestare attenzione a persone, cose e situazioni che possono impedire un utilizzo sicuro del prodotto.
- Prestare attenzione a ostacoli quali radici, pietre, ramoscelli, fossi e avvallamenti. L'erba alta può nascondere eventuali ostacoli.
- Tagliare l'erba in pendenza può risultare pericoloso. Non utilizzarli su pendii eccessivamente ripidi. Non utilizzare il prodotto su terreni con pendenze superiori a 15°.
- Procedere con estrema cautela quando si cambia direzione in pendenza. Utilizzare il prodotto trasversalmente lungo i pendii. Non spostarsi seguendo tragitti verso l'alto e verso il basso.
- Prestare attenzione in prossimità di angoli e oggetti nascosti che potrebbero ostacolare la visuale.

Sicurezza sul lavoro



AVVERTENZA: Leggere le seguenti avvertenze prima di utilizzare il prodotto.

- Utilizzare il prodotto esclusivamente per tagliare il prato. Non è consentito utilizzare il prodotto per altri scopi.
- Usare sempre abbigliamento protettivo personale. Vedere *Abbigliamento protettivo personale alla pagina 345*.
- Assicurarsi di saper spegnere il motore rapidamente in caso di emergenza.
- Non utilizzare il prodotto con pioggia o umidità. Il rischio di scosse elettriche aumenta se l'acqua penetra nel prodotto.
- Non azionare il prodotto senza prima aver montato correttamente la lama e tutti i coperchi. Una lama non correttamente fissata potrebbe allentarsi e causare lesioni personali.
- Assicurarsi che la lama non urti oggetti quali pietre e radici. Ciò potrebbe provocare danni alla lama e piegare l'albero motore. Un'asse piegato provoca forti vibrazioni e un alto rischio di allentamento della lama.
- Qualora la lama urti contro un oggetto o all'insorgere di vibrazioni arrestare immediatamente il prodotto. Arrestare il motore, girare la chiave di sicurezza su "0" e rimuovere la batteria (modello LC 141iV e LC 141i) o scollegare il cavo di alimentazione (modello LC 141C). Verificare la presenza di eventuali danni al prodotto. Riparare eventuali danni o contattare un'officina autorizzata per far svolgere la riparazione.
- Non fissare l'impugnatura del freno motore in modo permanente al manubrio quando il motore è avviato.
- Posizionare il prodotto su una superficie piana e stabile e avviarlo. Assicurarsi che la lama non venga a contatto con il terreno o con altri oggetti.
- Collocarsi sempre posteriormente al prodotto quando lo si utilizza.
- Consentire a tutte le ruote di restare a contatto con il suolo e tenere le 2 mani sull'impugnatura mentre si aziona il prodotto. Tenere mani e piedi lontani dalle lame rotanti.

- Non ribaltare il prodotto a motore acceso.
- Prestare attenzione quando si tira il prodotto verso di sé.
- Non sollevare mai il prodotto a motore avviato. Se è necessario sollevare il prodotto, prima arrestare il motore, girare la chiave di sicurezza su "0" e rimuovere la batteria (modello LC 141iV e LC 141i) o scollegare il cavo di alimentazione (modello LC 141C).
- Non camminare all'indietro quando si utilizza il prodotto.
- Arrestare il motore quando si attraversano zone prive d'erba quali vialetti in ghiaia, pietra e asfalto.
- Non correre con il prodotto quando il motore è acceso. Camminare sempre durante l'utilizzo del prodotto.
- Arrestare il motore prima di apportare qualsiasi modifica all'altezza di taglio. Non effettuare mai regolazioni a motore acceso.
- Non perdere mai di vista il prodotto quando il motore è acceso. Arrestare il motore e assicurarsi che l'attrezzatura di taglio non giri.

Istruzioni di sicurezza per il funzionamento

Abbigliamento protettivo personale



AVVERTENZA: Leggere le seguenti avvertenze prima di utilizzare il prodotto.

- L'uso di abbigliamento protettivo personale non elimina il rischio di lesioni, ma ne riduce la gravità in caso di incidente. Farsi consigliare dal rivenditore per la scelta dell'attrezzatura adatta.
- Utilizzare robusti stivali o scarpe antiscivolo. Non utilizzare il prodotto con calzature aperte o a piedi nudi.
- Utilizzare pantaloni lunghi di tessuto pesante.
- Indossare guanti protettivi ove necessario, ad esempio per montare, ispezionare o pulire l'attrezzatura di taglio.

Dispositivi di sicurezza sul prodotto



AVVERTENZA: Leggere le seguenti avvertenze prima di utilizzare il prodotto.

- Non utilizzare un prodotto con dispositivi di sicurezza difettosi.
- Effettuare un controllo dei dispositivi di sicurezza con regolarità. Se i dispositivi di sicurezza sono difettosi, rivolgersi alla propria officina Husqvarna.

Controllo del coperchio di taglio

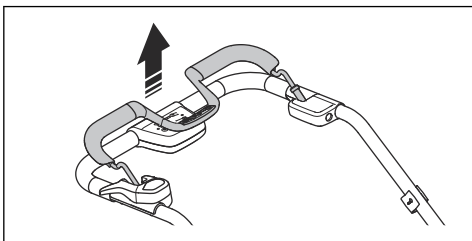
Il coperchio di taglio riduce le vibrazioni del prodotto e il rischio di ferirsi con la lama.

- Esaminare il coperchio di taglio per accertarsi che non presenti danni quali crepe.

Impugnatura del freno motore

L'impugnatura del freno motore arresta il motore. Quando si rilascia l'impugnatura del freno motore, il motore si arresta.

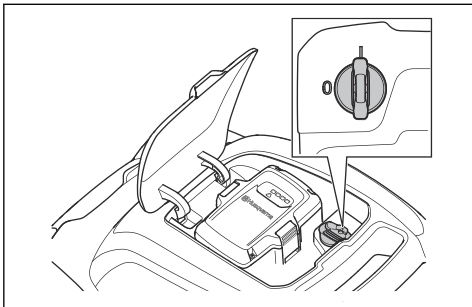
Per controllare il freno motore, avviare il motore e quindi rilasciare l'impugnatura del freno motore. Se il motore non si arresta entro 3 secondi, far regolare il freno motore presso un'officina Husqvarna autorizzata.



Chiave di sicurezza (modelli LC 141IV e LC 141I)

La chiave di sicurezza si trova sotto il coperchio della batteria. La chiave di sicurezza si collega alla batteria che alimenta il motore.

- Avviare e arrestare il motore per effettuare un controllo della chiave di sicurezza.
- Se la chiave di sicurezza funziona correttamente, il motore si avvia solo quando la chiave è in posizione 1.

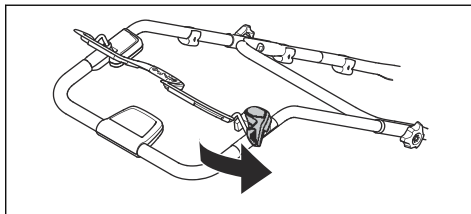


Per esaminare l'inibitore di avviamento

Effettuare un controllo dell'inibitore di avviamento per accertarsi che impedisca il funzionamento del motore.

1. Spingere l'impugnatura del freno motore in direzione del manubrio. L'inibitore dell'avviamento arresta il movimento.

2. Tirare fuori l'inibitore di avviamento.

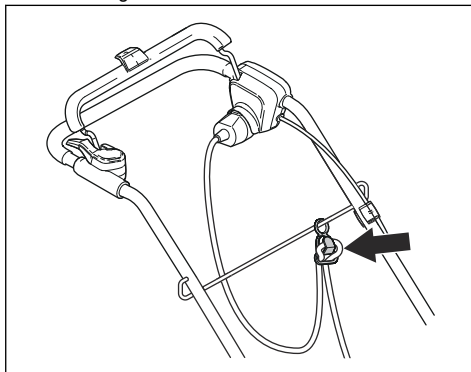


3. Rilasciare l'inibitore di avviamento e accertarsi che ritorni nella sua posizione iniziale.

Per utilizzare il supporto del cavo di alimentazione (modello LC 141C)

Il supporto del cavo di alimentazione riduce la tensione tra la presa e il cavo. Il supporto del cavo di alimentazione riduce anche il rischio di caduta.

1. Piegare il cavo di alimentazione in modo da formare un anello stretto.
2. Inserire l'anello nel foro sul supporto del cavo di alimentazione.
3. Avvolgere il cavo attorno al gancio.
4. Tirare il cavo di alimentazione per fissare l'anello attorno al gancio.



Sicurezza batterie



AVVERTENZA: Leggere le seguenti avvertenze prima di utilizzare il prodotto.

- Utilizzare le batterie ricaricabili Husqvarna come alimentazione per i soli

- prodotti Husqvarna in questione. Per evitare il rischio di lesioni, non utilizzare la batteria come fonte di alimentazione per altri dispositivi.
- Non utilizzare batterie non ricaricabili.
 - Rischio di scosse elettriche. Non collegare i morsetti della batteria a chiavi, monete, viti o altro tipo di metallo. Ciò può causare un corto circuito della batteria.
 - Non inserire oggetti nelle feritoie di aerazione della batteria.
 - Tenere la batteria lontano dalla luce del sole, dal calore o da fiamme libere. La batteria può esplodere e causare bruciature e/o ustioni chimiche.
 - Tenere la batteria lontano da pioggia e umidità.
 - Tenere la batteria lontano da microonde e alta pressione.
 - Non tentare di smontare o rompere la batteria.
 - In caso di perdite dalla batteria, non lasciare che il liquido entri in contatto con il corpo o con gli occhi. In caso di contatto con il liquido, pulire l'area con grandi quantità di acqua e consultare un medico.
- Utilizzare la batteria a una temperatura compresa tra -10 °C e 40 °C.
 - Non pulire la batteria o il caricabatteria con acqua. Vedere *Per pulire la batteria e il caricabatterie alla pagina 358*.
 - Non utilizzare una batteria difettosa o danneggiata.
 - Conservare le batterie lontano da oggetti metallici, come ad esempio chiodi, monete, gioielli.

Sicurezza del caricabatterie



AVVERTENZA: Leggere le seguenti avvertenze prima di utilizzare il prodotto.

- Utilizzare i caricabatterie QC per caricare esclusivamente le batterie di ricambio Husqvarna.
- Rischio di scosse elettriche o cortocircuiti. Non inserire oggetti nelle feritoie di aerazione del caricabatterie. Non tentare di smontare il caricabatterie. Non collegare i terminali del caricabatterie a oggetti metallici. Utilizzare una presa di rete omologata.
- Durante il funzionamento, questo prodotto genera un

campo elettromagnetico. Tale campo può interferire, in alcuni casi, con persone portatrici di impianti medici attivi o passivi. Per ridurre il rischio di condizioni che possono implicare lesioni personali gravi o fatali, i portatori di tali impianti devono consultare il proprio medico e il produttore dell'impianto prima di utilizzare questo prodotto.

- Verificare regolarmente che il cavo di alimentazione del caricabatterie non sia danneggiato e che non vi siano crepe.
- Non sollevare il caricabatterie tramite il cavo di alimentazione. Per scollegare il caricabatterie da una presa di rete, tirare la spina. Non tirare il cavo di alimentazione.
- Tenere il cavo di alimentazione e le prolunghe lontani da acqua, olio e bordi appuntiti. Fare attenzione affinché il cavo non si incastri in porte, ostacoli o simili. Questo potrebbe causare scosse elettriche al contatto con il caricabatterie.
- Non pulire il caricabatterie con acqua.
- Il caricabatterie può essere utilizzato da bambini a partire

da 8 anni di età e da parte di persone con ridotte capacità fisiche, sensoriali o mentali, oppure con mancanza di esperienza e conoscenza, se vengono controllati o ricevono istruzioni sull'utilizzo sicuro del caricabatterie e se comprendono i rischi. I bambini non devono giocare con il caricabatterie. La pulizia e la manutenzione non devono essere eseguite da bambini senza la supervisione di adulti.

- Non caricare batterie non ricaricabili nel caricabatterie.
- Non utilizzare il caricabatterie in prossimità di materiali infiammabili o materiali corrosivi. Non coprire il caricabatterie. Staccare la spina del caricabatterie in caso di fumo o incendio.
- Non utilizzare un caricabatterie difettoso o danneggiato.
- Caricare la batteria solo in luoghi chiusi, in una stanza con un buon flusso d'aria e lontano dalla luce del sole. Non caricare la batteria in condizioni di umidità.

Sicurezza del cavo di alimentazione

Per il modello LC 141C.

- Si consiglia l'utilizzo di un interruttore automatico

differenziale con corrente di rilascio che non superi 30 mA. Anche con un interruttore automatico differenziale installato, non è possibile garantire al 100% la sicurezza e occorre sempre osservare le pratiche di sicurezza sul lavoro. Effettuare un controllo dell'interruttore automatico differenziale ogni volta che si utilizza.

- Se il cavo è tagliato o se l'isolamento è danneggiato, scollegare immediatamente l'attrezzo dalla rete elettrica.
- Non toccare il cavo tagliato o danneggiato fino a quando non è stata scollegata la rete elettrica.
- Non riparare un cavo di alimentazione tagliato o danneggiato. Sostituirlo con uno nuovo.

Istruzioni di sicurezza per la manutenzione



AVVERTENZA: Leggere le seguenti avvertenze prima di utilizzare il prodotto.

- Per il modello LC 141iV, LC 141i: Per evitare l'avviamento accidentale durante la manutenzione, ruotare la chiave di sicurezza su 0 e rimuovere la batteria. Attendere almeno 5 secondi prima di iniziare la manutenzione.
- Per il modello LC 141C: Per evitare l'avviamento accidentale durante la manutenzione, scollegare il cavo di alimentazione.
- Eseguire gli interventi di manutenzione correttamente in modo da aumentare la durata di vita del prodotto e ridurre il rischio di incidenti. Affidare le riparazioni professionali a un'officina autorizzata. Per ulteriori informazioni, rivolgersi all'officina più vicina.
- Eseguire esclusivamente gli interventi di manutenzione riportati nel presente manuale operatore. Per operazioni di maggiore entità, rivolgersi a un'officina autorizzata.
- Indossare guanti per lavori pesanti quando si utilizza l'attrezzatura di taglio. La lama è molto affilata e ci si può ferire facilmente.
- Mantenere i bordi taglienti affilati e puliti per prestazioni più sicure e ottimali
- Far esaminare regolarmente il prodotto da un'officina per messe a punto e riparazioni necessarie.

- Sostituire le parti danneggiate, usurate o rotte.
- Rispettare le istruzioni per la sostituzione degli accessori. Utilizzare solo accessori del produttore.
- Quando non in uso, tenere il prodotto, la batteria e il

caricabatterie lontano in un luogo all'interno, chiuso a chiave e asciutto. Assicurarsi che i bambini e le persone non autorizzate non abbiano accesso al prodotto, alla batteria o al caricabatterie.

Montaggio

Introduzione



AVVERTENZA: Prima di montare il prodotto, leggere il capitolo sulla sicurezza.

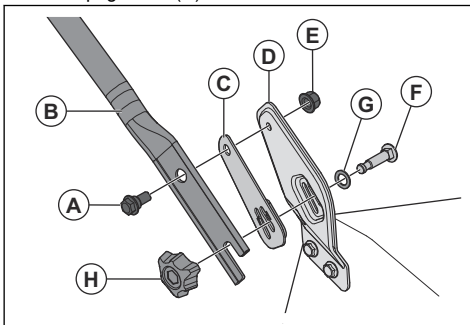


AVVERTENZA: Per il modello LC 141iV, LC 141i: Per evitare l'avviamento accidentale durante il montaggio, ruotare la chiave di sicurezza su 0, rimuovere la batteria e attendere almeno 5 secondi.

Per il modello LC 141C: Per evitare l'avviamento accidentale durante il montaggio, scollegare il cavo di alimentazione.

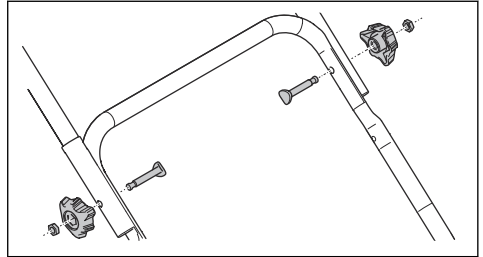
Montaggio dell'impugnatura

1. Spingere la vite (A) attraverso l'impugnatura (B), la rondella in plastica (C) e la staffa di supporto dell'impugnatura (D).

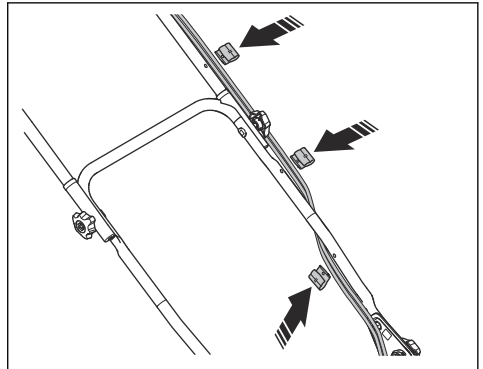


2. Serrare completamente il dado (E).
3. Spingere la vite (F) attraverso la rondella (G) e sulla staffa di supporto dell'impugnatura.
4. Serrare completamente la manopola (H).

5. Allineare i fori nel manubrio con i fori nell'impugnatura inferiore e fissare le viti, le rondelle e le manopole. Stringere completamente le manopole.

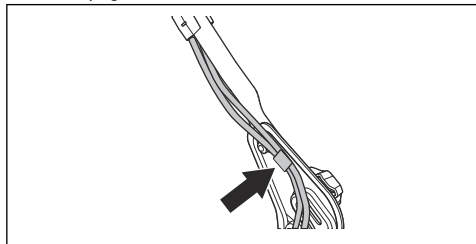


6. Collegare i cavi all'impugnatura con i supporti per cavi.



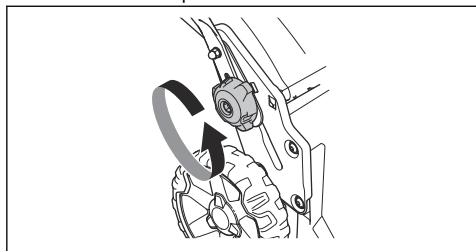
Nota: Assicurarsi che la tensione dei cavi non sia eccessiva. Una tensione eccessiva può causare danni al cavo se l'impugnatura è piegata in posizione di trasporto.

- Arrotolare i cavi intorno al gancio nella parte inferiore dell'impugnatura.

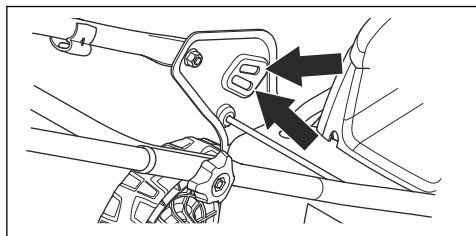


Per regolare l'altezza dell'impugnatura

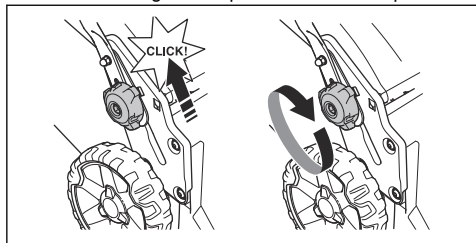
- Allentare le manopole inferiori.



- Rimuovere la manopola, la rondella e la vite sul lato sinistro e destro.
- L'impugnatura può essere impostata a 2 altezze diverse. Inserire la vite in uno dei 2 fori sul lato sinistro e destro.

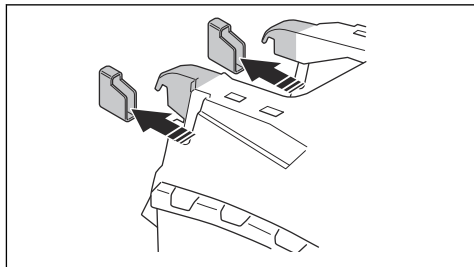


- Fissare le viti, le rondelle e le manopole.
- Spostare le manopole verso l'alto in direzione dell'impugnatura fino a quando un clic ne segnala l'arresto. Stringere completamente le manopole.

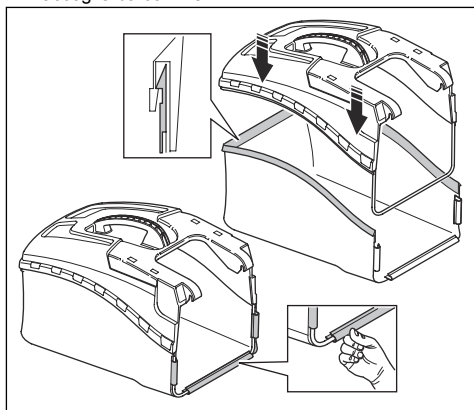


Per assemblare il raccoglierba

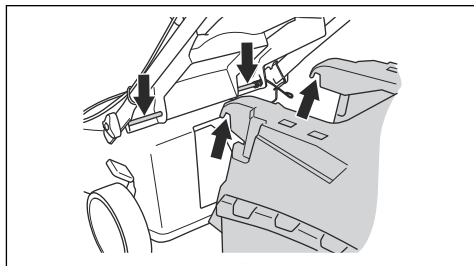
- Spingere i 2 coperchi di trasporto verso l'esterno e verso il basso.



- Inserire la parte superiore del raccoglierba nella parte inferiore del telaio. Fissare il telaio del raccoglierba con i fermi.



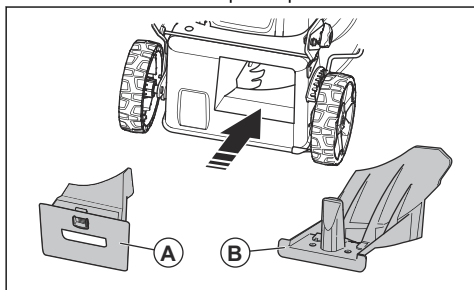
- Sollevare il coperchio posteriore.
- Fissare i ganci sul raccoglierba al bordo superiore del telaio.



Per il montaggio del kit di pacciamatura

- Sollevare il coperchio posteriore e rimuovere il raccoglierba.

- Inserire la spina di pacciatura nel canale del raccogliërba. La spina pacciatura di tipo A per LC 141i e LC 141C. Il tipo B è per LC 141iV.



- Chiudere il coperchio posteriore.
- Sostituire la lama con la lama Combi, fare riferimento a *Per rimuovere e sostituire la lama alla pagina 358*.

Utilizzo

Introduzione



AVVERTENZA: Prima di utilizzare il prodotto, è necessario leggere e comprendere il capitolo relativo alla sicurezza.

Husqvarna Connect

Husqvarna Connect è un'app gratuita per i dispositivi mobili. L'app Husqvarna Connect fornisce funzioni estese per il prodotto Husqvarna:

- Informazioni aggiuntive sul prodotto.
- Dettagli, guida, parti del prodotto e manutenzione.

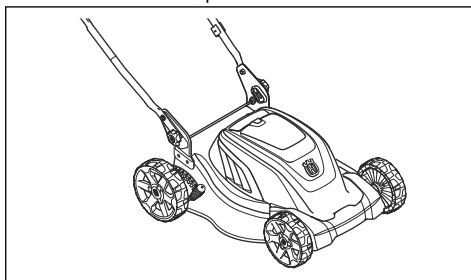
Primo utilizzo Husqvarna Connect

1. Scaricare l'app Husqvarna Connect sul proprio dispositivo mobile.
2. Registrarsi nell'app Husqvarna Connect.
3. Attenersi alle istruzioni dell'app Husqvarna Connect per collegare e registrare il prodotto.

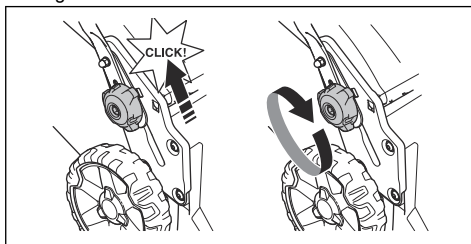
Per fissare il prodotto in posizione di funzionamento

Se l'impugnatura viene spostata in posizione di trasporto e rimessaggio (vedere *Per predisporre il prodotto in posizione di trasporto alla pagina 360*), eseguire la procedura che segue per spostare l'impugnatura in posizione di funzionamento.

1. Sollevare l'impugnatura fino a quando l'impugnatura inferiore si blocca in posizione di funzionamento.

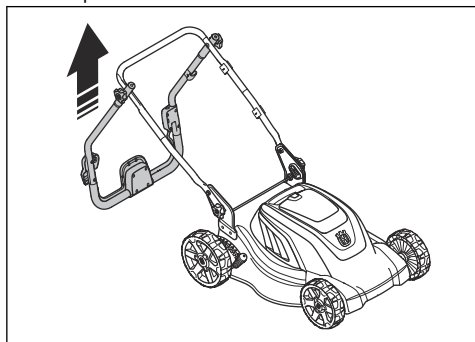


2. Spostare le manopole inferiori verso l'alto in direzione dell'impugnatura fino a quando un clic ne segnala l'arresto.



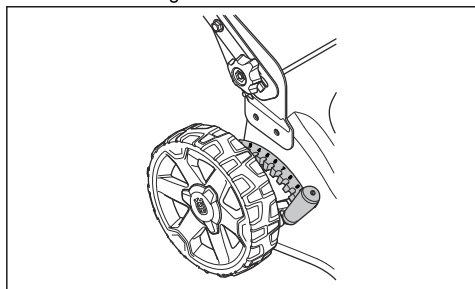
3. Serrare le manopole.

4. Sollevare l'impugnatura superiore e serrare le manopole.



Per impostare l'altezza di taglio

1. Per aumentare l'altezza di taglio, spingere la leva dell'altezza di taglio all'indietro.
2. Per diminuire l'altezza di taglio, spingere la leva dell'altezza di taglio in avanti.



ATTENZIONE: Non impostare l'altezza di taglio troppo in basso. Se la superficie del prato non è piana, le lame possono urtare il terreno.

Batteria

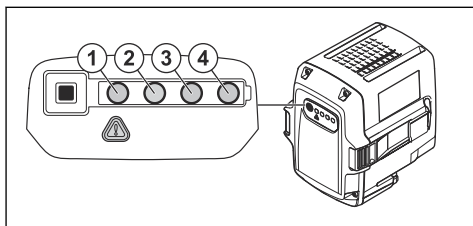


AVVERTENZA: Prima di utilizzare la batteria, leggere e comprendere il capitolo sulla sicurezza. È inoltre importante leggere e comprendere il manuale operatore della batteria e del caricabatterie.

Stato della batteria

Il display mostra la capacità residua della batteria e se sussistono problemi con la batteria stessa. La capacità della batteria viene visualizzata per 5 secondi dopo lo spegnimento del prodotto o dopo aver premuto il pulsante di indicatore di batteria. Il simbolo d'avvertenza

sulla batteria si accende quando si verifica un errore. Vedere *Batteria alla pagina 359*.



Spie LED	Stato della batteria
Tutti i LED accesi	Completamente carica (75-100%)
LED 1, LED 2, LED 3 accesi	La batteria è carica al 50%-75%
LED 1, LED 2 accesi	La batteria è carica al 25%-50%
LED 1 acceso.	La batteria è carica allo 0%-25%.
LED 1 lampeggia.	La batteria è scarica. Caricare la batteria.

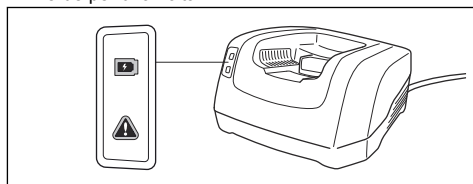
Per caricare la batteria

Caricare la batteria prima del primo utilizzo. Quando viene fornita al cliente, la batteria è carica solo al 30%.

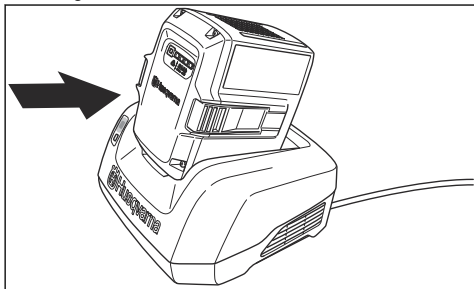
Nota: Il caricabatterie deve essere collegato alla rete elettrica e alla frequenza indicate sulla targhetta dati di funzionamento.

La batteria non si ricarica se la sua temperatura è superiore a 50°C. Il caricabatteria riduce la temperatura della batteria prima di iniziare la ricarica.

1. Collegare un'estremità del cavo di alimentazione del caricabatteria alla presa del caricabatterie.
2. Collegare l'altra estremità del cavo di alimentazione del caricabatteria ad una presa di corrente con messa a terra. Il LED sul caricabatterie lampeggia verde per una volta.



- Inserire la batteria nel caricabatterie. La luce verde sul caricabatterie si accende quando la batteria è collegata correttamente al caricabatterie.



- Quando tutti i LED sulla batteria sono accesi, la batteria è completamente carica. Caricare la batteria per massimo 24 ore.
- Per scollegare il caricabatterie dalla presa di rete, estrarre la spina e non il cavo di alimentazione.
- Rimuovere la batteria dal caricabatterie.

Stato di ricarica della batteria

È possibile utilizzare o caricare una batteria agli ioni di litio Husqvarna a tutti i livelli di carica. La batteria non viene danneggiata. Una batteria completamente carica non diminuisce la carica se lasciata nel caricabatterie.

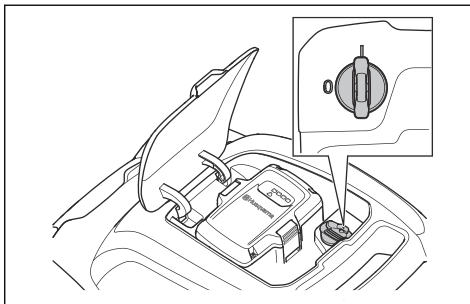
Display a LED	Livello di carica
LED 1 lampeggia.	0%-25%
LED 1 acceso, LED 2 lampeggia.	25%-50%
LED 1, LED 2 accesi, LED 3 lampeggia.	50%-75%
LED 1, LED 2, LED 3 accesi, LED 4 lampeggia.	75%-100%
LED 1, LED 2, LED 3, LED 4 accesi	Completamente carica

Per azionare LC 141iV e LC 141i

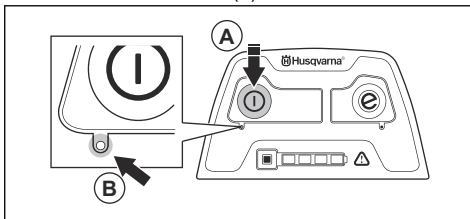
Avviamento dell'unità

- Inserire una batteria carica nel vano batteria.

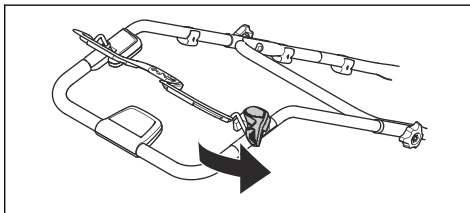
- Ruotare la chiave di sicurezza su 1.



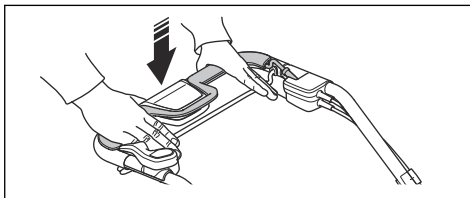
- Collocarsi dietro il prodotto.
- Premere il pulsante ON/OFF (A) sul pannello di controllo e il LED verde (B) si accende.



- Allentare l'inibitore di avviamento.

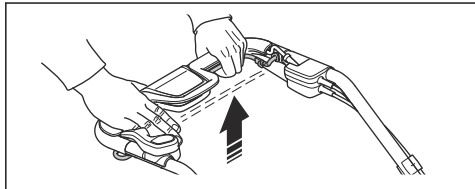


- Spingere l'impugnatura del freno motore in direzione del manubrio.

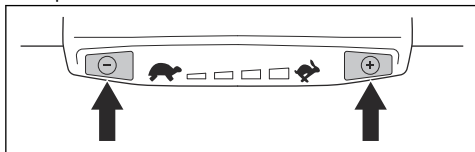


Per applicare trazione alle ruote

- Modello LC 141iV. Tirare l'impugnatura di comando nella direzione del manubrio per avviare la trazione.



- Premere i tasti + e - sul pannello di comando per impostare la velocità di trazione in 4 fasi.

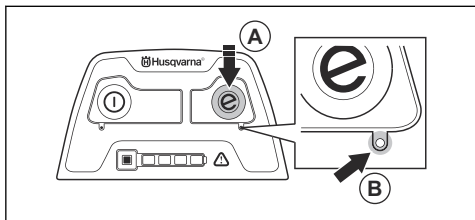


- Rilasciare l'impugnatura di comando per disinnestare la trazione, ad esempio quando ci si avvicina a un ostacolo.

Per utilizzare la funzione SavE

Il prodotto dispone di una funzione di risparmio batteria (SavE) che permette tempi di funzionamento più lunghi.

1. Premere il pulsante SavE (A) per avviare la funzione. Il LED verde si accende.



2. Premere nuovamente il pulsante SavE per arrestare la funzione. Il LED verde (B) si spegne.

La funzione SavE si arresta automaticamente se le condizioni del terreno rendono necessaria una resa superiore. La funzione SavE si avvia automaticamente quando le condizioni del terreno lo consentono.

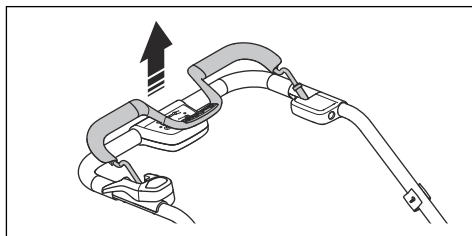
Funzione carico elevato

Quando il prodotto taglia erba lunga o umida, il motore aumenta automaticamente i giri/min. Il motore torna alla modalità standard quando il carico elevato non è necessario.

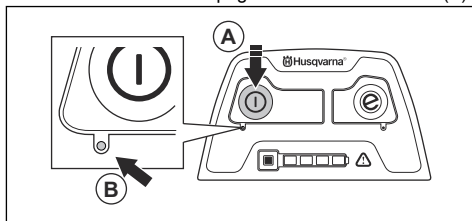
Arresto dell'unità

Il prodotto si arresta automaticamente se rimane non utilizzato per 10 minuti. Ruotare sempre la chiave di sicurezza in posizione 0 prima di lasciare incustodito il prodotto.

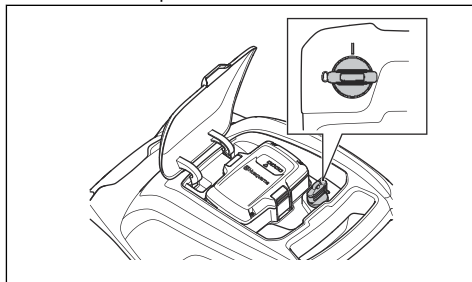
1. Rilasciare l'impugnatura del freno motore per arrestare il motore.



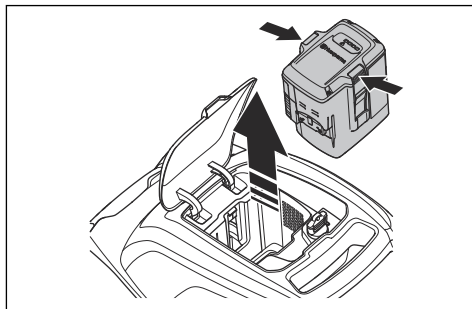
2. Tenere premuto il pulsante ON/OFF (A) sul pannello di comando fino allo spegnimento del LED verde (B).



3. Aprire il coperchio della batteria e ruotare la chiave di sicurezza in posizione 0.



4. Per rimuovere la batteria, premere i 2 pulsanti di rilascio ed estrarre la batteria.



5. Caricare la batteria se è debole. Per ulteriori informazioni, vedere *Per caricare la batteria alla pagina 353*.

Per azionare LC 141C

Per selezionare un cavo approvato (LC 141C)

Nota: Per il mercato britannico, utilizzare solo il cavo di prolunga 16M fornito in dotazione con il prodotto. Per tutti gli altri mercati, fare riferimento alle informazioni riportate di seguito.

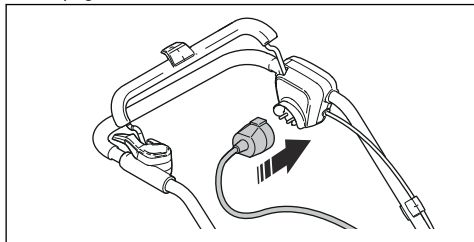
Se si utilizzano cavi di prolunga, devono essere conformi alle sezioni trasversali minime riportate nella tabella seguente:

Tensione	Lunghezza cavo	Sezione trasversale
220-240 V / 50 Hz	Fino a 20 m	1,5 mm ²
220-240V/ 50Hz	20-50 m	2,5 mm ²

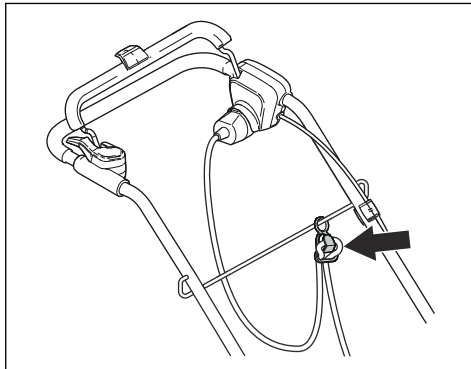
- I cavi di rete e le prolunghes sono reperibili presso l'officina autorizzata locale per prodotti per esterni Husqvarna.
- Utilizzare esclusivamente prolunghes per esterni e conformi a una delle specifiche seguenti: Gomma ordinaria (60245 IEC 53), PVC ordinario (60227 IEC 53) o PCP ordinario (60245 IEC 57)
- Per evitare qualsiasi pericolo, se il cavo è danneggiato, deve essere sostituito dal produttore, una sua officina o da personale qualificato equivalente.

Avviamento dell'unità

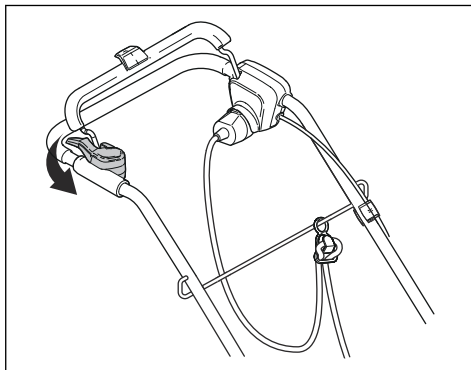
1. Collegare un cavo di alimentazione alla presa sotto l'impugnatura.



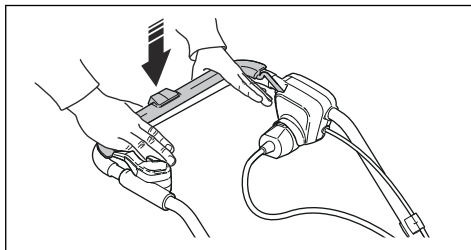
2. Posizionare il cavo di alimentazione nel supporto del cavo di alimentazione. Vedere *Per utilizzare il supporto del cavo di alimentazione (modello LC 141C)* alla pagina 346.



3. Collocarsi dietro il prodotto.
4. Allentare l'inibitore di avviamento.

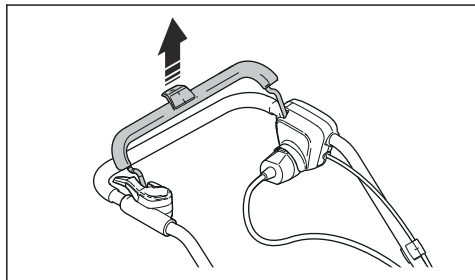


5. Spingere l'impugnatura del freno motore in direzione del manubrio.

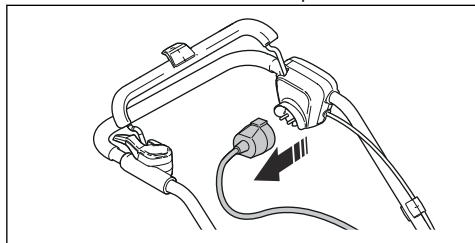


Arresto del prodotto

1. Rilasciare l'impugnatura del freno motore per arrestare il motore.



2. Scollegare il cavo di alimentazione dalla presa elettrica e successivamente dal prodotto.



ATTENZIONE: Estrarre la spina in linea retta. Non tirare il cavo di alimentazione.

Per ottenere un buon risultato

- Utilizzare sempre una lama ben affilata. Una lama non tagliente fornisce un risultato irregolare e la superficie di taglio dell'erba ingiallisce. Una lama affilata inoltre consuma minore energia di una lama affilata.
- Non tagliare più di $\frac{1}{3}$ dell'altezza dell'erba. Iniziare l'operazione di taglio impostando l'altezza di taglio su un livello alto. Esaminare il risultato e ridurre l'altezza di taglio al livello applicabile. Se l'erba è molto alta, procedere lentamente e tagliarla 2 volte, se necessario.
- Tagliare sempre in direzioni diverse per evitare il formarsi di strisce sul prato.

Manutenzione

Introduzione



AVVERTENZA: Prima di svolgere la manutenzione, leggere e comprendere il capitolo relativo alla sicurezza.

Per tutti gli interventi di assistenza e riparazione sul prodotto, è necessaria una formazione specifica. La nostra azienda garantisce la disponibilità di personale qualificato per le riparazioni e l'assistenza. Se non avete acquistato il prodotto presso un rivenditore dotato di

officina, informatevi sull'ubicazione della più vicina officina autorizzata.

Programma di manutenzione

Gli intervalli di manutenzione sono calcolati sulla base di un uso quotidiano del prodotto. Gli intervalli cambiano se il prodotto non viene usato quotidianamente.

Per gli interventi di manutenzione identificati con *, fare riferimento a *Dispositivi di sicurezza sul prodotto alla pagina 345*.

LC 141IV, LC 141i e LC 141C	A ciascun utilizzo	Una volta al mese	Ogni stagione
Effettuare un'ispezione generale.	X		
Pulire il prodotto.	X		
Eseguire un controllo dell'inibitore di avviamento*.	X		
Accertarsi che i dispositivi di sicurezza del prodotto non siano difettosi*.	X		
Controllare l'attrezzatura di taglio.	X		
Controllare il coperchio di taglio*.	X		
Controllare l'impugnatura del freno motore*.	X		

Solo LC 141iV e LC 141i	A ciascun utilizzo	Una volta al mese	Ogni stagione
Accertarsi che il pulsante ON/OFF funzioni correttamente e non presenti guasti.	X		
Controllare la presenza di eventuali danni alla batteria.	X		
Effettuare un controllo dello stato di carica della batteria.	X		
Accertarsi che i pulsanti di rilascio sulla batteria funzionino correttamente e che tengano la batteria bloccata all'interno del prodotto.	X		
Controllare che il caricabatterie non sia danneggiato e che funzioni correttamente.		X	
Controllare i collegamenti tra la batteria e il prodotto. Controllare anche il collegamento tra la batteria e il caricabatterie.			X

Per effettuare un'ispezione generale

- Controllare che tutti i dadi e le viti del prodotto siano ben serrati.
- Accertarsi che i cavi del prodotto non sono in una posizione in cui possono danneggiarsi.

Per pulire il prodotto

- Pulire le parti in plastica con un panno pulito e asciutto.
- Non utilizzare acqua per pulire il prodotto. L'acqua può penetrare nella batteria o nel motore e causare un corto circuito o danni al prodotto.
- Non utilizzare una lancia ad alta pressione per pulire il prodotto.
- Non dirigere getti d'acqua sul motore.
- Utilizzare una spazzola per rimuovere foglie, erba e sporizia.

Per pulire la batteria e il caricabatterie



ATTENZIONE: Non pulire la batteria o il caricabatteria con acqua.

- Accertarsi che la batteria e il caricabatterie siano puliti e asciutti prima di inserire la batteria nel caricabatterie.
- Pulire i terminali della batteria con aria compressa o con un panno morbido e asciutto.
- Pulire le superfici della batteria e del caricabatterie con un panno morbido e asciutto.

Per controllare l'attrezzatura di taglio



AVVERTENZA: Per i modelli LC 141iV e LC 141i: Per evitare l'avviamento accidentale, ruotare la chiave di sicurezza su 0, rimuovere la batteria e attendere almeno 5 secondi.

Per il modello LC 141C: Per evitare l'avviamento accidentale, scollegare il cavo di alimentazione.



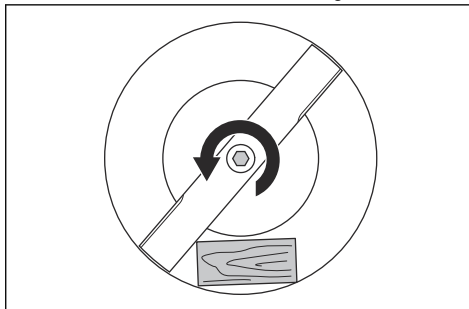
AVVERTENZA: Indossare guanti protettivi quando si esegue la manutenzione dell'attrezzatura di taglio. La lama è molto affilata e ci si può ferire facilmente.

1. Controllare l'attrezzatura di taglio per individuare danni o crepe. Sostituire sempre l'attrezzatura di taglio danneggiata.
2. Osservare la lama per controllare che non sia danneggiata o usurata.

Nota: Dopo l'affilatura la lama deve essere bilanciata. Rivolgersi a un centro assistenza per l'affilatura, la sostituzione e il bilanciamento. Se si urta un ostacolo che provoca l'arresto del prodotto, sostituire la lama danneggiata. Il centro di assistenza può valutare se la lama può essere affilata o deve essere sostituita.

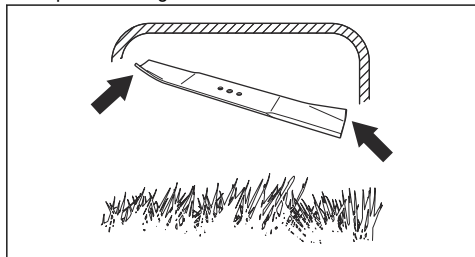
Per rimuovere e sostituire la lama

1. Bloccare la lama con un blocco di legno.



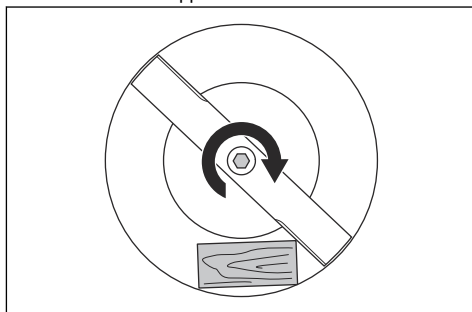
2. Rimuovere il bullone della lama.

3. Rimuovere la lama.
4. Esaminare il supporto e il bullone della lama per verificare la presenza di eventuali danni.
5. Esaminare l'albero motore per accertarsi che non sia piegato.
6. Quando si fissa la nuova lama, assicurarsi che le estremità inclinate della lama puntino in direzione del coperchio di taglio.



7. Assicurarsi che la lama sia allineata con il centro dell'albero motore.

8. Bloccare la lama con un blocco di legno. Inserire la rondella reggispinta, quindi serrare il bullone e la rondella a una coppia di 20 Nm.



9. Girare manualmente la lama per verificare che possa ruotare liberamente.



AVVERTENZA: Utilizzare dei guanti da lavoro spessi. La lama è molto affilata e ci si può ferire facilmente.

10. Avviare il prodotto per eseguire una prova della lama. Se la lama non è collegata correttamente, si verificano delle vibrazioni nel prodotto o il risultato del taglio è insoddisfacente.

Ricerca guasti

Batteria

LED della batteria	Causa	Soluzione
Il LED verde lampeggia.	La tensione della batteria è bassa.	Caricare la batteria. Fare riferimento a <i>Per caricare la batteria alla pagina 353</i> .
Il LED di errore lampeggia.	La batteria è scarica.	Caricare la batteria. Fare riferimento a <i>Per caricare la batteria alla pagina 353</i> .
	La temperatura nell'ambiente di lavoro è troppo alta o troppo bassa.	Utilizzare la batteria a una temperatura compresa tra -10 °C e 40 °C.
	Sovratensione.	Controllare che la tensione di rete corrisponda a quella indicata sull'etichetta del prodotto. Rimuovere la batteria dal caricabatterie. Attendere 5 secondi e riprovare a caricare la batteria. Se il problema persiste, contattare un'officina autorizzata.
Il LED di errore è acceso.	La differenza delle celle è eccessiva (1 V).	Contattare un'officina autorizzata.

Caricabatterie

LED del caricabatterie	Causa	Soluzione
Il LED di errore lampeggia.	La temperatura nell'ambiente di lavoro è troppo alta o troppo bassa.	Utilizzare il caricabatterie a una temperatura compresa tra 5°C e 40°C.
Il LED di errore è acceso.		Contattare un'officina autorizzata.

Pannello di comando

Per risolvere problemi diversi da quelli riportati in questa sezione, contattare la propria officina.

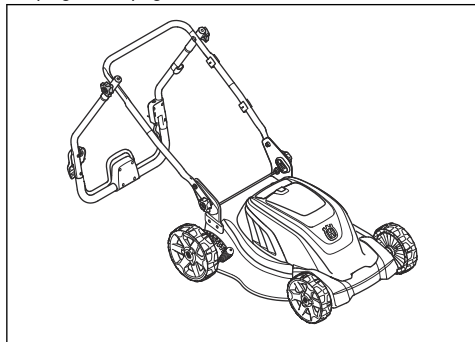
Tastiera	Possibili guasti	Possibile soluzione
Il LED di errore lampeggia	Il motore è sovraccarico	Aumentare l'altezza di taglio. Vedere <i>Per impostare l'altezza di taglio alla pagina 353</i> .
	La velocità del motore diminuisce eccessivamente e il motore si arresta	
	Il comando del motore è troppo caldo	Arrestare il motore e attendere che si raffreddi
	La lama è bloccata	Per evitare l'avviamento accidentale, ruotare la chiave di sicurezza su 0, rimuovere la batteria e attendere almeno 5 secondi. Accertarsi che la lama possa ruotare liberamente. Se il problema persiste, contattare un'officina autorizzata.
	Errore batteria o nessun segnale dalla batteria	Inserire correttamente la batteria nel prodotto e controllare il connettore della batteria. Se il LED di errore della batteria lampeggia, vedere <i>Batteria alla pagina 359</i> .
Il prodotto si arresta	La batteria è debole	Caricare la batteria. Vedere <i>Per caricare la batteria alla pagina 353</i> .
	Guasto del connettore della batteria	Esaminare il connettore della batteria

Trasporto, stoccaggio e smaltimento

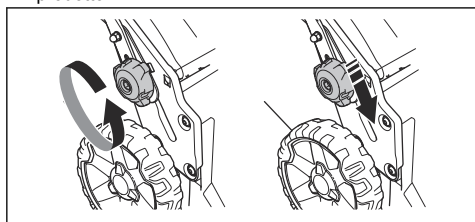
Per predisporre il prodotto in posizione di trasporto

1. Rimuovere il raccogliërba, se installato.

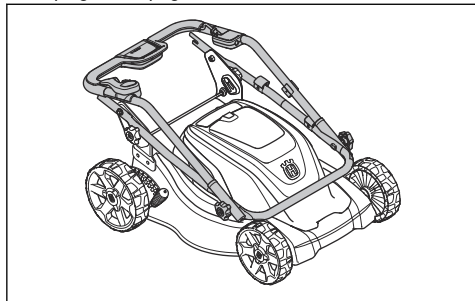
2. Allentare le manopole sull'impugnatura superiore e piegare l'impugnatura verso il basso.



3. Allentare le manopole inferiori.
4. Spostare le manopole verso l'estremità inferiore delle scanalature dei lati sinistro e destro del prodotto.



5. Ripiegare l'impugnatura in avanti.



Trasporto

- I requisiti di legge sulle merci pericolose si applicano alle batterie agli ioni di litio incluse.
- Rispettare i requisiti speciali riportati sulla confezione e sulle etichette per il trasporto commerciale.
- Durante la preparazione al trasporto del prodotto, attenersi alle normative relative ai materiali pericolosi. Possono essere in vigore alcune normative locali.

- Rimuovere sempre la batteria per il trasporto.
- Applicare del nastro sui connettori della batteria e assicurarsi che la batteria rimanga fissa in posizione durante il trasporto.
- Fissare il prodotto durante il trasporto.

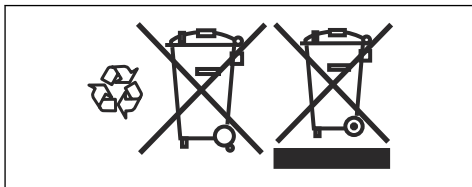
Conservazione

- Rimuovere sempre la batteria per lo stoccaggio.
- Per evitare incidenti, assicurarsi che la batteria non sia collegata al prodotto una volta riposto.
- Conservare il caricabatterie in un ambiente chiuso e asciutto.
- Conservare la batteria e il caricabatterie in un luogo asciutto, privo di umidità e protetto dal gelo.
- Scollegare la batteria dal caricabatterie durante lo stoccaggio.
- Non conservare la batteria in aree elettricamente statiche. Non conservare mai la batteria in una scatola di metallo.
- Conservare la batteria a una temperatura compresa tra 5 °C e 25 °C e non esposta alla luce del sole.
- Conservare il caricabatterie a una temperatura compresa tra 5 °C e 45 °C e non esposto alla luce del sole.
- Accertarsi che la batteria sia carica al 30% - 50% prima di riporla per lunghi periodi.
- Conservare il prodotto, la batteria e il caricabatterie in un luogo chiuso a chiave, fuori dalla portata di bambini e di persone non autorizzate.
- Pulire il prodotto ed eseguire una manutenzione completa prima di riporlo per lunghi periodi.

Smaltimento

I simboli sul prodotto o sull'imballaggio indicano che il presente prodotto non può essere trattato come rifiuto domestico. Deve essere portato presso un centro di raccolta specializzato nel recupero di apparecchiature elettriche ed elettroniche.

Trattando questo prodotto correttamente, si contribuisce a contrastare il potenziale impatto negativo sull'ambiente e sulle persone che può altrimenti sortire da una gestione impropria del prodotto come rifiuto. Per informazioni più dettagliate sul riciclaggio di questo prodotto, contattare l'autorità municipale, il servizio rifiuti domestici o il punto vendita in cui è stato acquistato.



Dati tecnici

Dati tecnici LC 141IV, LC 141i

	LC 141IV	LC 141i
Motore di taglio		
Tipo di motore	BLDC (senza spazzole) 36V	BLDC (senza spazzole) 36V
Velocità del motore – SavE, giri/min	2700	2700
Velocità del motore – Nominale, giri/min	3100	3100
Velocità del motore – Carico elevato, giri/min	3700	3700
Potenza del motore - max kW	0,8	0,8
Potenza del motore - Nominale, kW	0,55	0,55
Motore di azionamento		
Potenza del motore - Nominale, kW	0,25	NA
Velocità conduzione automatica, km/h	3,0 - 4,5	NA
Livelli di regolazione della velocità	4	NA
Peso		
Peso senza batteria, kg	21,5	18,6
Batteria ⁸⁵		
Tipo di batteria	Serie a batteria Husqvarna	Serie a batteria Husqvarna
Prestazione della batteria		
Prestazione della batteria, min. (free run) con modalità SavE attivata, con una batteria Husqvarna da 5,2 Ah (BLi200).	77	77
Prestazione della batteria, min. (free run) con modalità standard attivata, con una batteria Husqvarna da 5,2 Ah (BLi200).	45	45
Emissioni di rumore ⁸⁶		
Livello acustico, misurato dB (A)	88	88
Livello acustico, garantito L _{WA} dB(A)	89	89
Livelli acustici ⁸⁷		
Livello di pressione sonora all'orecchio dell'operatore, dB (A)	83	83
Livelli di vibrazioni ⁸⁸		

⁸⁵ Per risultati e prestazioni ottimali, si consiglia l'utilizzo della batteria BLi200 Husqvarna.

⁸⁶ Emissioni di rumore nell'ambiente misurate come potenza sonora (L_{WA}) in base alla direttiva CE 2000/14/CE.

⁸⁷ I dati riportati per il livello di pressione acustica hanno una dispersione statistica tipica (deviazione standard) di 1,2 dB(A).

⁸⁸ I dati riportati per il livello di vibrazioni presentano una dispersione statistica tipica (deviazione standard) di 0,2 m/s².

	LC 141iV	LC 141i
Impugnatura, m/s ²	2,0	2,0
Taglio		
Altezza di taglio, mm	25-70	25-70
Larghezza di taglio, cm	41	41
Lama, codice articolo	Raccolta - 5011716-01	Raccolta - 5011716-01
Capacità del raccogliherba, litri	50	50

Batterie approvate	Marchio	Tipo	Capacità batteria, Ah	Tensione, V	Peso, lb/kg
BLi10	Husqvarna	Ioni di litio	2,0	36	1,8/0,8
BLi100	Husqvarna	Ioni di litio	2,6	36	1,9/0,8
BLi20	Husqvarna	Ioni di litio	4,0	36	2,7/1,2
BLi200	Husqvarna	Ioni di litio	5,2	36	2,8/1,3
BLi300	Husqvarna	Ioni di litio	9,4	36	4,1/1,9

Caricabatteria omologati per le batterie specificate,	Marchio	Tensione di entrata, V	Frequenza, Hz	Potenza, W
QC80	Husqvarna	100-240	50-60	80
QC80F	Husqvarna	12	0	80
QC250	Husqvarna	220-240	50	250
QC330	Husqvarna	100-240	50-60	330
QC500	Husqvarna	100-240	50-60	500

Dati tecnici LC 141C

	LC 141C
Motore	
Tipo di motore	Serie motore AC
Velocità del motore – Nominale, giri/min	3200
Alimentazione	1800 W
Fonte di alimentazione	Elettrica con cavo
Cavo di alimentazione (incluso solo per il mercato britannico)	
Tipo di cavo	Cavo di prolunga 16M
Peso, kg	1,6

	LC 141C
Peso	
Peso, kg	20,4
Emissioni di rumore ⁸⁹	
Livello acustico, misurato dB (A)	93
Livello acustico, garantito L _{WA} dB(A)	95
Livelli di rumorosità ⁹⁰	
Livello di pressione sonora all'orecchio dell'operatore, dB (A)	85
Livelli di vibrazioni ⁹¹	
Impugnatura, m/s ²	2,0
Taglio	
Altezza di taglio, mm	25-70
Larghezza di taglio, cm	41
Lama, codice articolo	Raccolta 5011716-01
Capacità del raccogliherba, litri	50

⁸⁹ Emissioni di rumore nell'ambiente misurate come potenza sonora (L_{WA}) in base alla direttiva CE 2000/14/CE.

⁹⁰ I dati riportati per il livello di pressione acustica hanno una dispersione statistica tipica (deviazione standard) di 1,4 dB(A).

⁹¹ I dati riportati per il livello di vibrazioni presentano una dispersione statistica tipica (deviazione standard) di 0,2 m/s².

Dichiarazione di conformità CE

Dichiarazione di conformità CE

Husqvarna AB, SE-561 82 Huskvarna, Svezia, tel.: +46-36-146500, dichiara che i **rasaerba Husqvarna LC 141iV e LC 141i** con numeri di serie a partire da 2018XXXXXXX e **Husqvarna LC 141C** con numeri di serie a partire da 2015XXXXXXX sono conformi alle disposizioni della DIRETTIVA DEL CONSIGLIO:

- dell'8 giugno 2011 "sulla restrizione dell'uso di determinate sostanze pericolose". **2011/65/UE**
- del 17 maggio 2006 "sulle macchine" **2006/42/CE**
- del 26 febbraio 2014 "sulla compatibilità elettromagnetica" **2014/30/UE**
- dell'8 maggio 2000 "sulle emissioni di rumore nell'ambiente" **2000/14/CE**

Per informazioni sulle emissioni di rumore, fare riferimento alla sezione Dati tecnici.

Per la certificazione di Husqvarna LC 141iV e LC 141i sono state applicate le seguenti norme: **IEC 60335-2-77:2002, IEC 60335-1:2010+A1:2013, EN 55014-1:2017, EN 55014-2:2015, EN 61000-3-2:2014, EN 61000-3-3:2013, EN 62233:2008**

Per la certificazione di Husqvarna LC 141C sono state applicate le seguenti norme: **EN 60335-1:2012+A11:2014, EN 60335-2-77:2010, EN 62233:2008, EN 55014-1:2017+A11, EN 55014-2:2015, EN 61000-3-2:2019, EN 61000-3-11:2019**

Organo competente: **0404, RISE SMP Svensk Maskinprovning AB, Box 7035, SE-750 07 Uppsala** ha effettuato la valutazione di conformità ai sensi della direttiva 2000/14/CE, allegato VI.

Huskvarna, 2020-10-13



Claes Losdal, Responsabile sviluppo/Prodotti per il giardino (rappresentante autorizzato per Husqvarna AB e responsabile della documentazione tecnica).

目次

はじめに.....	366	トラブルシューティング.....	386
安全性.....	369	搬送、保管、廃棄.....	387
組立.....	376	主要諸元.....	388
Operation(動作).....	378	EC 適合宣言.....	392
メンテナンス.....	383		

はじめに

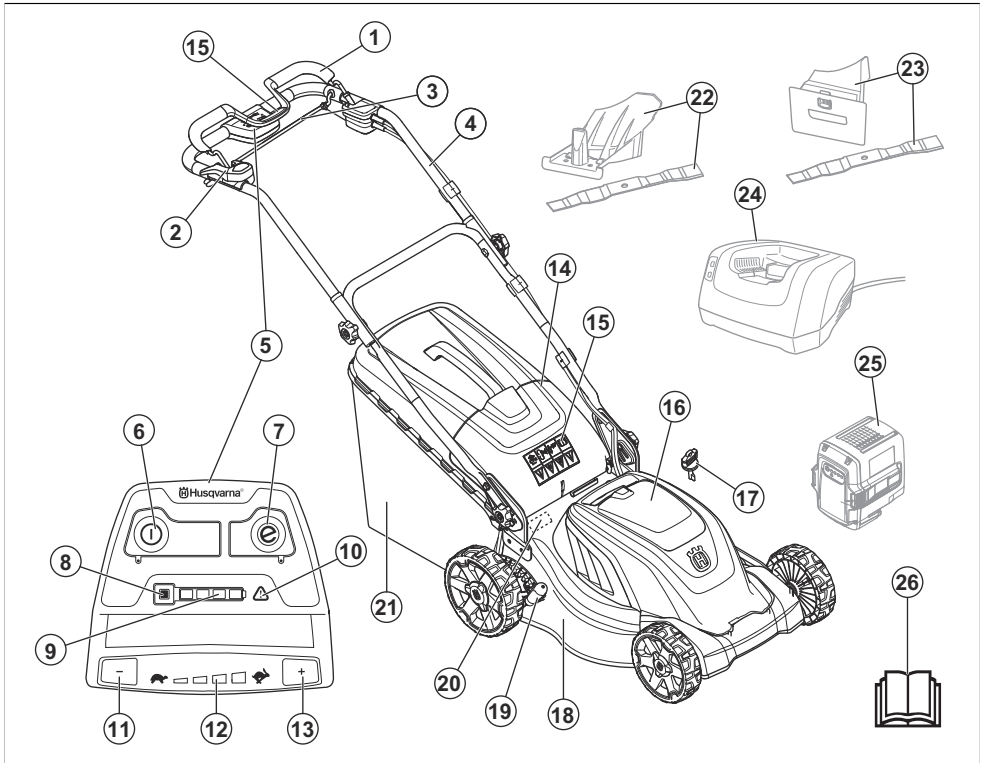
製品の説明

本製品は、手押し式ロータリー芝刈機です。芝はグラスキャッチャーに収集されます。芝を後方排出方式にするには、グラスキャッチャーを取り外してください。刈った芝を肥料にするにはマルチキット (アクセサリー) を取り付けてください。

用途

本製品は芝刈り用です。他の作業に本製品を使用しないでください。

製品の概要 LC 141iV/LC 141i

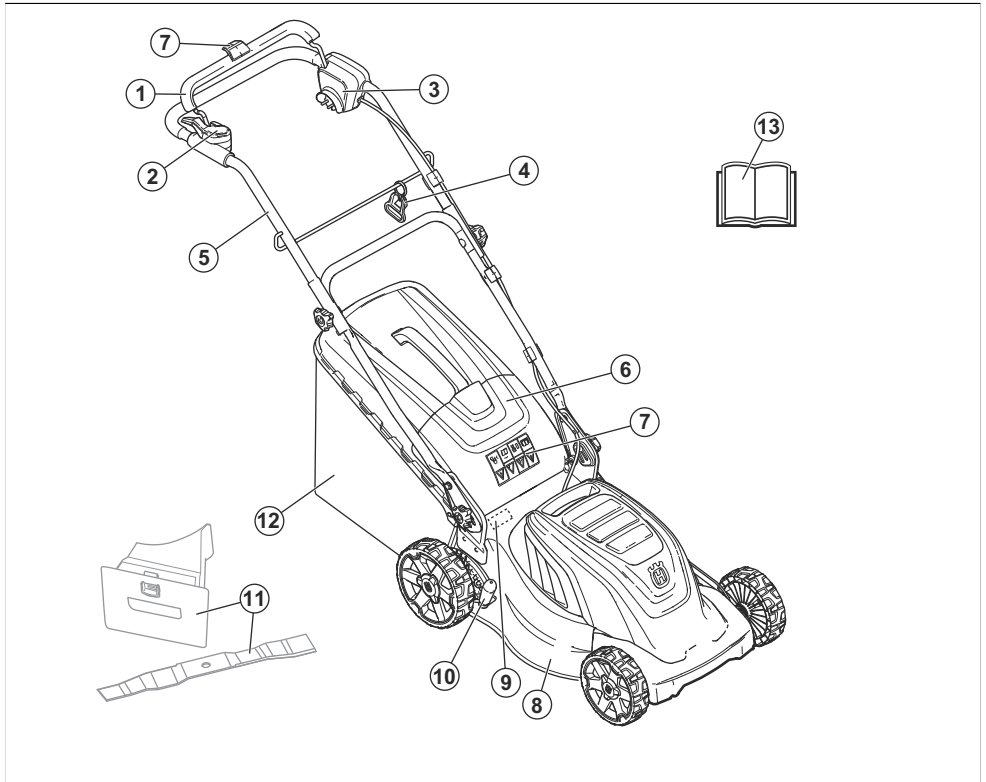


1. モーターブレーキハンドル
2. 始動抑制装置
3. ドライブベルト (LC 141iV)
4. ハンドル / ハンドルバー
5. コントロールパネル
6. ON/OFF ボタン
7. SavE ボタン
8. バッテリーインジケータボタン
9. バッテリーインジケータ
10. バッテリー
11. 充電ボタン
12. 充電ステータス表示
13. 充電完了表示
14. グラスキャッチャー
15. グラスキャッチャーの取り付け部
16. マルチキット
17. マルチキットの取り付け部
18. 前輪
19. 後輪
20. 後輪の駆動部
21. 後輪の駆動部
22. グラスキャッチャーの取り付け部
23. グラスキャッチャー
24. マルチキット
25. マルチキットの取り付け部
26. ユーザーマニュアル

9. バッテリー充電インジケータ
10. 警告インジケータ (エラー LED)
11. 減速ボタン (LC 141iV)
12. 速度レベルインジケータ (LC 141iV)
13. 加速ボタン (LC 141iV)
14. 後部カバー
15. シンボルマーク
16. バッテリーリッド
17. 安全キー

18. カッティングカバー
19. 刈高調整レバー
20. 定格プレート
21. グラスキャッチャー
22. マルチキット (LC 141iV は別売り)
23. マルチキット (LC 141i は別売り)
24. バッテリー充電器 (別売り)
25. バッテリー (別売り)
26. 取扱説明書

製品の概要 - LC 141C



1. モーターブレーキハンドル
2. 始動抑制装置
3. 電源コードソケット
4. 電源コードホルダー
5. ハンドル / ハンドルバー
6. 後部カバー
7. シンボルマーク
8. カッティングカバー
9. 定格プレート
10. 刈高調整レバー
11. マルチプラグ (別売り)

12. グラスキャッチャー
13. 取扱説明書

製品に表記されるシンボルマーク



不注意な取り扱いや誤った取り扱いは、作業
者や周囲の人などの負傷
または死亡事故を引き

起こすおそれがあります。



本製品を使用する前に、この取扱説明書をお読みにになり、指示内容をよく理解してください。



作業領域からは人や動物との安全な距離を保ってください。



飛び散ったり跳ね返ってくる物体に気をつけてください。



警告：回転しているブレードに手や足を近づけないでください。



警告：回転部品に手や足を近づけないでください。



製品のメンテナンスを行う前に、安全キーを外してください。(モデル LC 141iV/LC 141i)



製品のメンテナンスを行う前に、製品を電源コンセントから取り外してください。(モデル LC 141C)

IPX1

IPX1 - 本製品は、防滴仕様 (モデル LC 141iV/LC 141i)

IPX4

IPX4 - 本製品は、防沫仕様 (モデル LC 141C)



製品に雨が当たらないようにしてください (モデル LC 141iV/LC 141i)



警告：本製品の運転中に、電源コードを横切らないでください。感電や製品損傷のおそれがあります。(モデル LC 141C)

CE

この製品は EC 規格適合製品です。



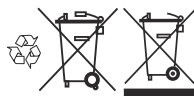
環境に対する騒音レベルは EC 指令に準拠しています。本製品の排出レベルは、主要諸元の章とステッカーに記載されています。



直流。36V



二重絶縁。



電気・電子機器のリサイクル業者にリサイクルを依頼してください。(ヨーロッパのみ適用)



モデル
LC 141iV/
LC 141i の始動
手順：オン / オ
フボタンを押
し、始動抑制装
置を緩め、モー
ターブレーキ
ハンドルを押
し下げます。



低速



高速



スキャン用のコード

注記： 本製品に付いている他のシンボル / 銘板は、一部の市場地域に向けた認定条件を示します。

モデル / LC 141C の始動
手順：始動抑制装置を緩
め、モーターブレーキハ
ンドルを押し下げます。



停止させるには、モー
ターブレーキハンドルを
放します。



製造物責任

製造物責任法に基づき、当社は、次の場合については本製品を原因とする損傷について責任を負いません。

- 本製品が誤って修理された場合。
- メーカーによるものではない部品、またはメーカーの認可していない部品を使用して本製品を修理した場合。
- メーカーによるものではないアクセサリ、またはメーカーの認可していないアクセサリを本製品に使用した場合。
- 認定サービスセンターまたは認定機関で本製品が修理されていない場合。

安全性

安全性の定義

警告、注意、注記は、取扱説明書の特に重要な部分を示しています。



警告： 取扱説明書の指示に従わない場合、使用者が負傷したり、死亡したりするか、あるいは付近の人に損傷を与える危険があることを意味します。



注意： 取扱説明書の指示に従わない場合、製品や他の物品、または隣接するエリアに損傷を与える危険があることを意味します。

注記： 特定の状況で必要とされる詳細情報を提供するために使用されます。

一般的な安全注意事項



警告： 本製品を使用する前に、以下の警告指示をお読みください。

- 本製品は、慎重かつ適切に使用しないと、危険な道具となります。安全注意事項に従わないと、負傷や死亡事故が発生するおそれがあります。
- 本製品では、運転中に電磁場が発生します。この電磁場は、ある条件下でアクティブ、またはパッシブな医療用インプラン

トに影響を及ぼすことがあります。深刻な傷害または致命傷の危険を避けるため、医療用インプラントを使用している方は、本製品を使用する前に主治医および医療用インプラントの製造元に相談することをお勧めします。

- 常に常識に基づいて注意して使用してください。特殊な状況での本製品の操作方法がわからない場合、作業を続ける前に本製品を停止して、Husqvarna 販売店までご連絡ください。
- 第三者やその所有物が事故に関係する場合、その責任は、作業員にあることを忘れないでください。
- 本製品は清潔に保ってください。標識やラベルがはっきりと読み取れるようにしてください。
- 子供や使用方法に習熟していない人には本製品を使用させないでください。居住地の法規によっては、使用者の年齢制限がある場合があります。
- 身体的、精神的にハンデを負った人が本製品を使用する場合は常に監視してください。責任を有する大人が常にそばにいる必要があります。
- 疲労時、疾病時、アルコールや医薬品の影響が残っているときは、本製品を使用しないでく

ださい。視力、注意力、動作、判断力に悪影響を与えます。

- 本製品に不具合がある場合は使用しないでください。
- 本製品を改造しないでください。また、本製品が改造されている可能性がある場合は使用しないでください。

作業エリアの安全



警告： 本製品を使用する前に、以下の警告指示をお読みください。

- 本製品を使用する前に、大小の枝や石などの物体を作業範囲から取り除いてください。
- カutting装置にぶつかった物体がはじかれて、人が怪我をしたり物が損傷したりするおそれがあります。本製品から周囲の人や動物との安全な距離を保ってください。
- 霧、雨、強風、極寒、雷の危険などの悪天候下で本製品を使用しないでください。悪天候下や、湿気のある場所、濡れた場所で本製品を使用すると疲労します。悪天候の場合、路面が滑りやすくなるなど、危険な状態を引き起こすことがあります。
- 製品の安全な操作を妨げる可能性がある人、物、状況に注意してください。

- 根、石、小枝、窪み、溝などの障害物に注意してください。長い芝の中に障害物が隠れていることがあります。
- 斜面で芝を刈ることは危険を伴います。急斜面の芝を刈ることはできません。15°を超える斜面では本製品を使用しないでください。
- 斜面で向きを変える場合は、細心の注意を払ってください。斜面を横切りながら本製品を操作してください。上下に移動しないでください。
- 陰になった隅や視界を遮るものに近づくときは気を付けてください。
- ブレードやすべてのカバーを適切に装着してから本製品を始動させてください。ブレードが適切に装着されていないと、緩んで、怪我をすることがあります。
- ブレードが石や根などの物体にぶつからないように気を付けてください。ブレードが損傷したり、モーターシャフトが曲がったりするおそれがあります。シャフトが曲がると振動が激しくなり、ブレードが緩む危険性が非常に高くなります。
- ブレードが物に当たったり振動が発生したりした場合は、すぐに本製品を停止してください。モーターを停止して安全キーを「0」まで回し、バッテリーを取り外す（モデル LC 141iV および LC 141i）か、電源コードを抜いてください（モデル LC 141C）。製品に損傷がないか点検します。損傷部を修復するか、正規サービス代理店に修理を依頼してください。

安全な作業



警告： 本製品を使用する前に、以下の警告指示をお読みください。

- 本製品は芝生刈りにのみ使用してください。他の作業には使用できません。
- 身体保護具を使用してください。使用者の身体保護具 372 ページを参照してください。
- 緊急時にモーターをすばやく停止する方法を必ず確認してください。
- 雨降りや湿潤な環境下で本製品を操作しないでください。本製品に水が入ると、感電の危険性が高まります。
- モーターの始動時は、モーターブレーキハンドルをハンドルに完全に固定しないでください。
- 製品を平らで安定した面に置き、始動します。ブレードが地面やその他の物に触れないよう、注意してください。
- 本製品の操作時は、必ず製品の後ろに立ってください。

- 製品を操作するときは、すべてのホイールを地面につけ、両手でハンドルをつかんで操作してください。回転しているブレードに手や足を近づけないでください。
- モーターの作動中は、本製品を傾けないでください。
- 製品を後方に引くときは注意してください。
- モーターの作動中は、本製品を持ち上げないでください。本製品を持ち上げる必要がある場合は、まずモーターを停止して安全キーを「0」まで回し、バッテリーを取り外す(モデル LC 141iV および LC 141i) か、電源コードを抜いてください(モデル LC 141C)。
- 本製品を操作するときは、後ろ向きに歩かないでください。
- 砂利、石、アスファルトなど、芝面以外の領域を横切るときは、モーターを停止してください。
- モーターの作動中は、本製品を操作しながら走らないでください。製品を操作するときは、必ず歩いてください。
- 刈高を変更する場合は、まずモーターを停止してください。モーターが作動している状態での調整は決して行わないでください。

- モーターが作動している状態で、見えない場所に製品を放置しないでください。モーターを停止し、カッティング装置が回転していないことを確認してください。

操作のための安全注意事項

使用者の身体保護具



警告： 本製品を使用する前に、以下の警告指示をお読みください。

- 身体保護具で怪我を完全に防止できるわけではありませんが、万が一事故が起こった場合、負傷の度合いを軽減することができます。適切な保護具の選択については、販売店にご相談ください。
- 丈夫で滑りくいブーツや靴を着用してください。開放部の多い靴を使用したり、裸足で作業を行ったりしないでください。
- 厚手の長ズボンを着用してください。
- カッティング装置の取り付け、点検、清掃を行う場合は、必要に応じて保護グローブを着用してください。

本製品の安全装置



警告： 本製品を使用する前に、以下の警告指示を読んでください。

- 安全装置に欠陥のある製品は使用しないでください。
- 安全装置は定期的に点検してください。安全装置に欠陥がある場合は、Husqvarna サービス代理店にご相談ください。

カッティングカバーの点検方法

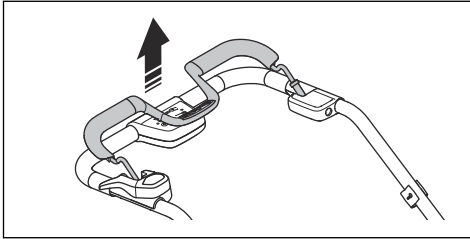
カッティングカバーは、本製品の振動を抑え、ブレードで負傷する危険性を低減します。

- カッティングカバーを点検して、亀裂などの損傷がないことを確認してください。

モーターブレーキハンドル

モーターブレーキハンドルは、モーターを停止させるためのものです。モーターブレーキハンドルを放すと、モーターが停止します。

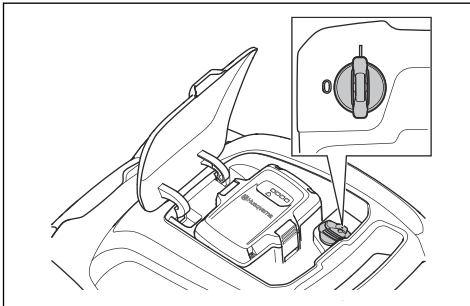
モーターブレーキを点検するには、モーターを始動してから、モーターブレーキハンドルを放します。モーターが3秒で停止しない場合は、Husqvarna の認証サービス代理店にモーターブレーキの調整を依頼してください。



安全キー (モデル LC 141IV および LC 141i)

安全キーはバッテリーの蓋の下にあります。安全キーは、電源を供給するバッテリーとモーターを接続します。

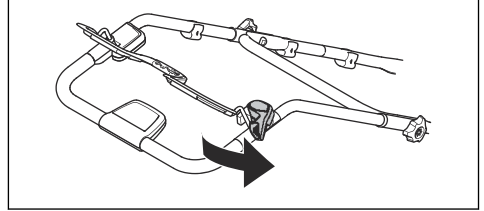
- 安全キーを点検するには、モーターを始動および停止します。
- 安全キーが正しく機能している場合は、キーが「1」の位置にあるときのみモーターが始動します。



始動抑制装置の点検

始動抑制装置を点検して、モーターの作動を抑制することを確認します。

1. ハンドルバーの方向にモーターブレーキハンドルを押します。始動抑制装置により動きが停止します。
2. 始動抑制装置を押します。

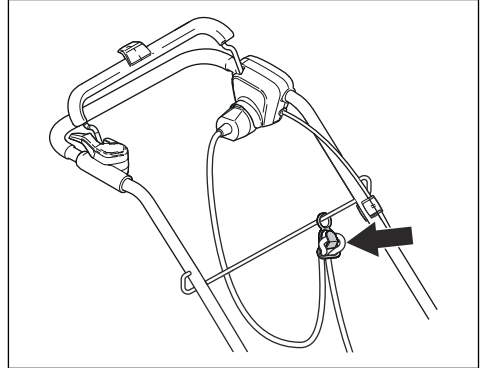


3. 始動抑制装置を放して、最初の位置に戻ることを確認します。

電源コードホルダー (モデル LC 141C) の使用方法

電源コードホルダーにより、電源ソケットや電源コードへの負荷が緩和されます。電源コードホルダーは、作業者が倒れるリスクも低減します。

1. 電源コードを曲げて小さな輪を作ります。
2. この輪を電源コードホルダーの穴に差し込みます。
3. 輪をフックに掛けます。
4. 電源コードを引いて、輪をフックの周りに留めます。



バッテリーの安全



警告： 本製品を使用する前に、以下の警告指示をお読みください。

- Husqvarna 充電式バッテリーは、対応する Husqvarna 製品の電源としてのみ使用してください。負傷を防止するため、

他の装置の電源は使用しないでください。

- 充電式ではないバッテリーは使用しないでください。
- 感電するおそれがあります。バッテリーの端子を鍵や硬貨、ネジや他の金属に接触させないでください。バッテリーが短絡する原因になります。
- バッテリーのエアスロットに物が入らないようにしてください。
- バッテリーは直射日光や熱、裸火から保護してください。バッテリーが爆発して、やけどや化学熱傷を負うおそれがあります。
- バッテリーは雨や湿気から保護してください。
- バッテリーは電子レンジや高圧から保護してください。
- バッテリーを分解もしくは粉砕しないでください。
- バッテリーから漏れが発生した場合、身体や目に液体が触れないようにしてください。液体が人体に触れた場合は、触れた個所を大量の水で洗い流して、医療機関に相談してください。
- バッテリーは -10°C ~ 40°C の温度で使用してください。
- バッテリーまたはバッテリー充電器は、水で洗浄しないでください。バッテリーとバッテ

リー充電器の清掃方法 384 ページを参照してください。

- 不具合や損傷のあるバッテリーは使用しないでください。
- バッテリーは、くぎ、硬貨、宝飾品などの金属から遠ざけて保管してください。

バッテリー充電器の安全性



警告： 本製品を使用する前に、以下の警告指示をお読みください。

- Husqvarna 交換用バッテリーの充電には、QC バッテリー充電器のみを使用してください。
- 感電や短絡のおそれがあります。充電器のエアスロットに物が入らないようにしてください。バッテリー充電器を分解しないでください。充電器の端子を金属物体へ接触させないでください。認定された主電源ソケットを使用してください。
- 本製品では、運転中に電磁場が発生します。この電磁場は、ある条件下でアクティブ、またはパッシブな医療用インプラントに影響を及ぼすことがあります。深刻な傷害または致命傷の危険を避けるため、医療用インプラントを使用している方は、本製品を使用する前に主治医および医療用インプラン

- トの製造元に相談することを
お勧めします。
- 定期的に充電器の電源コードを点検し、破損や亀裂がないことを確認してください。
 - 電源コードを持ってバッテリー充電器を持ち上げないでください。主電源ソケットからバッテリー充電器を取り外す際は、プラグを引っ張ってください。電源コードを引っ張らないでください。
 - 電源コードと延長ケーブルが、水や油、または尖った物に接触しないようにしてください。ドア、フェンスなどにケーブルが挟まっていないことを確認してください。充電器に通電する可能性があります。
 - バッテリー充電器を、水で洗浄しないでください。
 - このバッテリー充電器は、8才以上の子供、身体的、知覚的、精神的障害のある方、または経験や知識のない方でも、バッテリー充電器の安全な使用に関する監督または指示を受け、関連する危険について理解すれば使用できます。充電器を小児の遊具にしないでください。クリーニングおよびメンテナンスは、保護者による監視のない限り、小児に行わせてはいけません。
 - 充電不可能なバッテリーを本バッテリー充電器で充電しないでください。
 - 可燃性の物質や、腐食の原因となる物質の近くでは、バッテリー充電器を使用しないでください。バッテリー充電器にカバーをかけないでください。煙や火災が発生した場合、バッテリー充電器の電源プラグをコンセントから引き抜いてください。
 - 故障または破損したバッテリー充電器は使用しないでください。
 - バッテリーは、通気がよく直射日光が当たらない室内でのみ充電してください。濡れた状態でバッテリーを充電しないでください。

電源コードの安全

LC 141C モデルの場合。

- トリップ電流が 30 mA 以下の残留電流装置 (R.C.D.) を使用することを推奨します。R.C.D. を取り付けても 100 % の安全は保証されません。常に安全作業手順を守る必要があります。使用のたびに R.C.D. を点検してください。
- 電源コードの切断や、絶縁体の損傷があった場合は、直ちに主電源を切ってください。
- 電源が切れるまで、切断または損傷した電源コードには触れないでください。

- ・ 切断または損傷した電源コードを修理しないでください。新しいコードと交換してください。

メンテナンスのための安全注意事項



警告： 本製品を使用する前に、以下の警告指示をお読みください。

- ・ LC 141iV, LC 141i モデルの場合：メンテナンス中に誤って始動しないようにするために、安全キーを「0」の位置に回して、バッテリーを取り外します。5秒以上待ってから、メンテナンスを開始してください。
- ・ LC 141C モデルの場合：メンテナンス中に誤って始動しないようにするために、電源コードを外します。
- ・ 適切にメンテナンス作業を実施すると、製品の寿命が延び、事故のリスクを低減することができます。認定サービス代理店に専門的な修理を依頼してください。詳しくは、最寄りのサービス代理店までお問い合わせください。
- ・ 本取扱説明書に記載されているメンテナンスのみを実施してください。本書に記載されている内容以外のメンテナンスは、必ず認定サービス代理店に依頼してください。
- ・ カutting装置を取り扱う際は、丈夫な作業用手袋を着用してください。ブレードは非常に鋭利なため、切り傷を負う危険性があります。
- ・ 最も安全で最良の性能を実現するために、カuttingエッジを目立てし、清潔に保ってください。
- ・ サービス代理店に本製品の定期検査を依頼し、必要な調整や修理を受けてください。
- ・ 損傷、摩耗、破損した部品は交換してください。
- ・ アクセサリーの交換は、手順に従って実施してください。純正のアクセサリーのみを使用してください。
- ・ 操作しないときは、製品、バッテリー、バッテリー充電器を乾燥した、屋内の鍵のかかる場所に保管してください。子供や許可されていない人が、製品、バッテリー、バッテリー充電器に近づけないようにしてください。

組立

はじめに



警告： 製品を組み立てる前に、安全の章をよく読んでください。

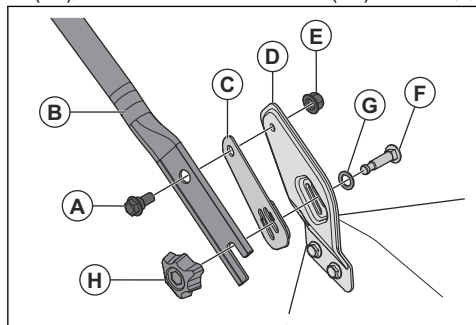


警告： LC 141iV, LC 141i モデルの場合：組み立て中に誤って始動しないようにするために、安全キーを「0」の位置に回し、バッテリーを取り外してから最低5秒間待ってください。

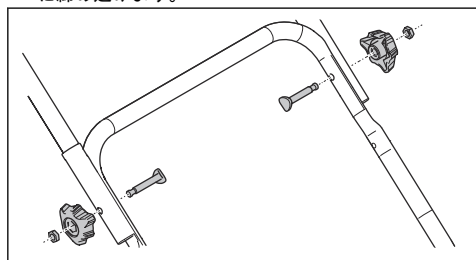
LC 141C モデルの場合:組み立て中に誤って始動しないようにするために、電源コードを外します。

ハンドルの組み立て

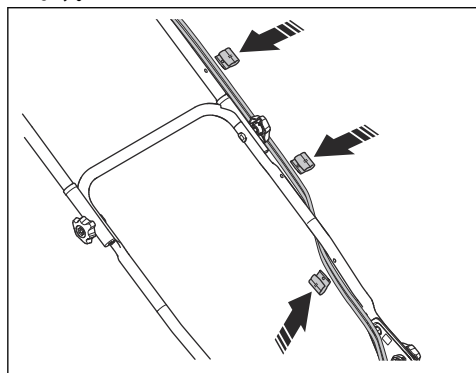
1. ネジ (A) をハンドル (B)、プラスチックワッシャー (C)、ハンドルサポートブラケット (D) に通します。



2. ナット (E) を完全に締め込みます。
3. ネジ (F) をワッシャー (G) とハンドルサポートブラケットに通します。
4. ノブ (H) を完全に締め込みます。
5. ハンドルバーの穴を下部ハンドルの穴に合わせ、ネジ、ワッシャー、ノブを取り付けます。ノブを完全に締め込みます。

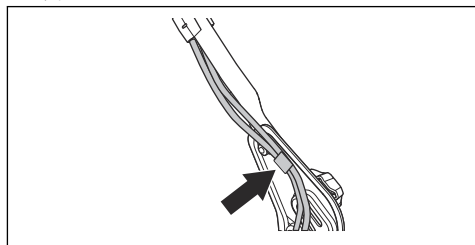


6. ケーブルホルダーでケーブルをハンドルに取り付けます。



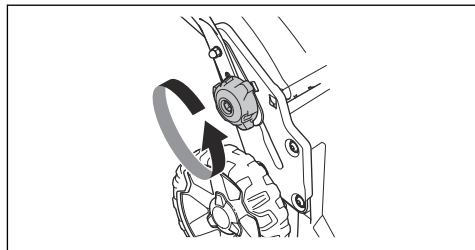
注記: ケーブルの張力が高すぎないようにしてください。ケーブルの張力が高すぎると、ハンドルを搬送位置に折り畳んだ場合にケーブルが破損するおそれがあります。

7. ハンドルの下部にあるフックにケーブルを掛けます。

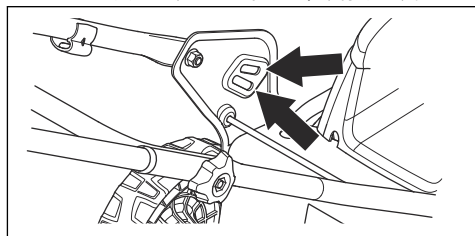


ハンドルの高さの調節方法

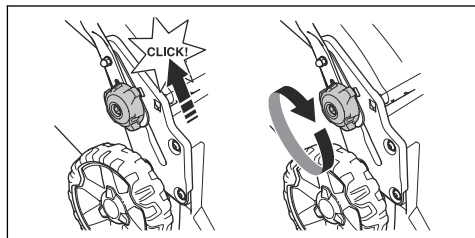
1. 下側ノブを緩めます。



2. 左右にあるノブ、ワッシャー、ネジを取り外します。
3. ハンドルは 2 種類の高さに設定できます。左右にある 2 つの穴のいずれかにネジを取り付けます。

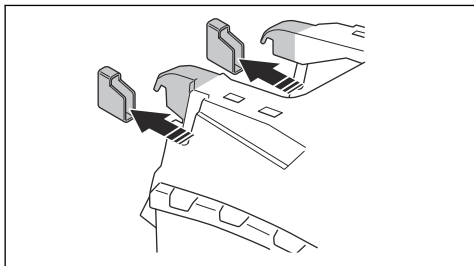


4. ネジ、ワッシャー、ノブを取り付けます。
5. ノブをハンドル方向に、カチッと音がするまで上方に動かします。ノブを完全に締め込みます。

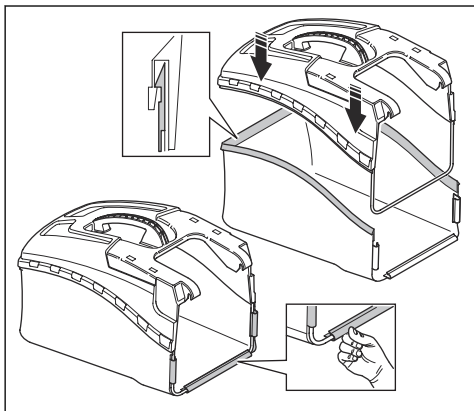


グラスキャッチャーの組み付け方法

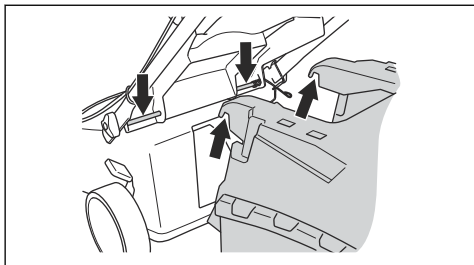
1. 2つの搬送用カバーを押し下げて外します。



2. グラスキャッチャーの上側部品をグラスキャッチャーの下側部品に取り付けます。グラスキャッチャーフレームをクリップで取り付けます。

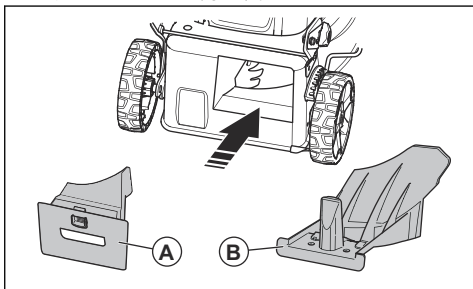


3. 後部カバーを持ち上げます。
4. グラスキャッチャーのフックをシャーシの上端に取り付けます。



マルチングキットの組み付け方法

1. 後部カバーを持ち上げてグラスキャッチャーを取り外します。
2. 芝の排出口にマルチプラグを取り付けます。タイプAのマルチプラグはLC 141iとLC 141C用です。タイプBはLC 141iV用です。



3. 後部カバーを閉じます。
4. ブレードをコンビブレードに交換するには、ブレードの取り外しと交換方法 385 ページを参照してください。

Operation (動作)

はじめに



警告：本製品を操作する前に、安全に関する章をお読みになり、内容を理解してください。

Husqvarna Connect

Husqvarna Connect は、モバイルデバイス用の無料アプリです。Husqvarna Connect アプリは、お持ちの Husqvarna 製品の拡張機能を提供します。

- 拡張製品情報。

- 製品の部品とサービスに関する情報とヘルプ。

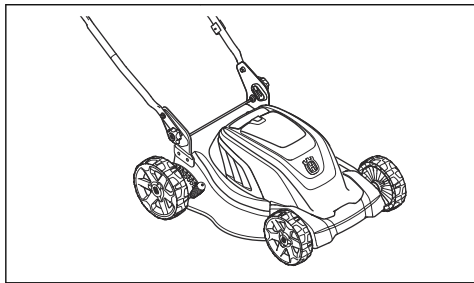
Husqvarna Connect の使い方

1. Husqvarna Connect アプリをモバイルデバイスにダウンロードします。
2. Husqvarna Connect アプリで登録を行います。
3. Husqvarna Connect アプリの指示に沿って、製品を接続して登録します。

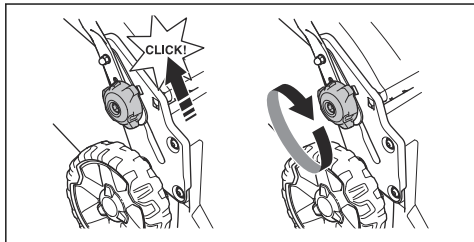
製品を操作位置にセットする方法

ハンドルが搬送位置と保管位置にある場合（製品を搬送位置にセットする方法 387 ページ参照）は、以下の手順に従ってハンドルを操作位置にします。

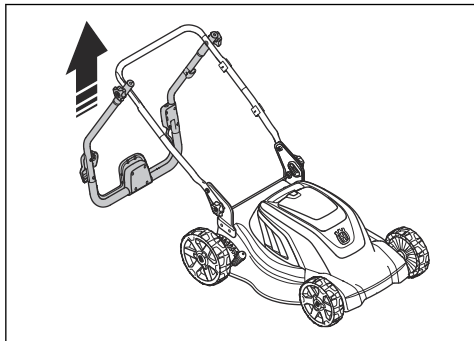
1. 下部ハンドルが操作位置にロックされるまでハンドルを持ち上げます。



2. 下部ノブを、ハンドル方向にカチッと音がして停止するまで上方に動かします。

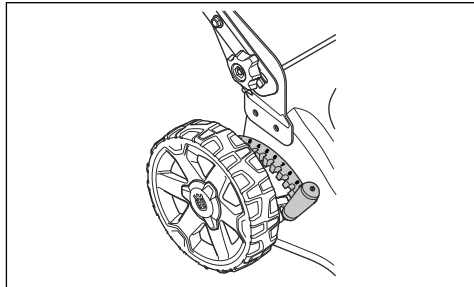


3. ノブを締め込みます。
4. 上部ハンドルを持ち上げて、ノブを締め込みます。



刈高の設定方法

1. 刈高を高くするには、刈高レバーを後方に動かします。
2. 刈高を低くするには、刈高レバーを前方に動かします。



注意： 刈高を低く設定しすぎないでください。芝生の表面が水平でない場合、ブレードが地面に当たるおそれがあります。

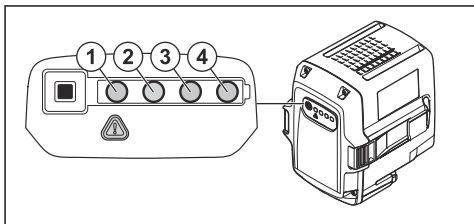
バッテリー



警告： バッテリーを使用する前に、安全に関する章をお読みになり、内容を理解してください。バッテリーおよびバッテリー充電器の取扱説明書もお読みになり、内容を理解してください。

バッテリーの状態

ディスプレイには、バッテリー残量やバッテリーに関する問題が表示されます。バッテリー容量は、本製品の電源がオフになった後あるいはバッテリーインジケータボタンが押された後に 5 秒間表示されます。エラーが発生すると、バッテリーに関する警告マークが点灯します。バッテリー 386 ページを参照してください。



LED ランプ	バッテリーの状態
すべての LED が点灯。	フル充電 (75 ~ 100%)
LED 1、LED 2、LED 3 が点灯	バッテリーは 50% ~ 75% 充電済み
LED 1、LED 2 が点灯	バッテリーは 25% ~ 50% 充電済み

LED ランプ	バッテリーの状態
LED 1 が点灯	バッテリーは 0% ~ 25% 充電済み。
LED 1 が点滅	バッテリーは空です。バッテリーを充電してください。

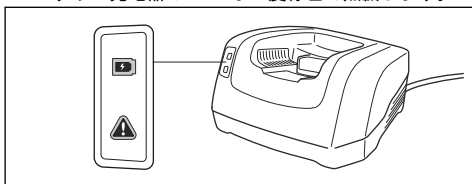
バッテリーの充電方法

初めて使用する前に、バッテリーを充電してください。お客様への出荷時、バッテリーは 30 % のみ充電されています。

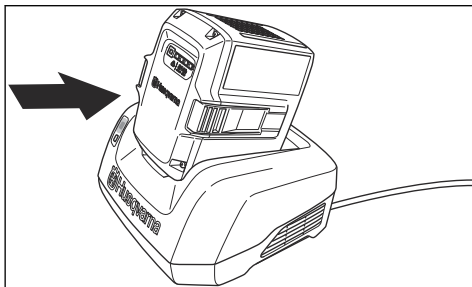
注記： バッテリー充電器は、銘板で指定された電圧と周波数の電源に接続する必要があります。

バッテリーの温度が 50°C を超えている場合は、バッテリーが充電されません。バッテリー充電器は、バッテリーの温度が下がってから充電を開始します。

1. バッテリー充電器用電源コードの片端をバッテリー充電器のソケットに接続します。
2. バッテリー充電器用電源コードのもう一方の端を、アースされている主電源ソケットに接続します。バッテリー充電器の LED が一度緑色で点滅します。



3. バッテリーをバッテリー充電器に取り付けます。バッテリーがバッテリー充電器に正しく接続されると、バッテリー充電器の緑色のランプが点灯します。



4. バッテリーの LED がすべて点灯したら、バッテリーはフル充電されています。バッテリーを最大 24 時間充電します。
5. 主電源ソケットからバッテリー充電器を取り外す際は、電源コードではなくプラグを引いてください。
6. バッテリー充電器からバッテリーを外します。

バッテリーの充電ステータス

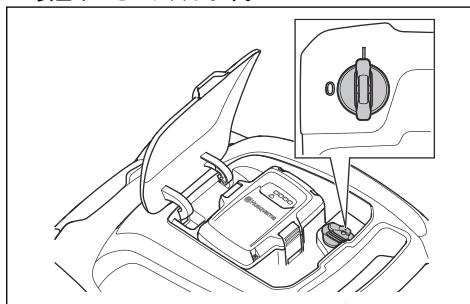
Husqvarna リチウムイオンバッテリーは、充電レベルに関係なく充電や使用が可能です。バッテリーは破損しません。フル充電されたバッテリーを充電器に入れたままにしてもバッテリーの電力が低減することはありません。

LED 表示	充電の状態
LED 1 が点滅	0% ~ 25%
LED 1 が点灯、LED 2 が点滅	25% ~ 50%
LED 1、LED 2 が点灯、LED 3 が点滅	50% ~ 75%
LED 1、LED 2、LED 3 が点灯、LED 4 が点滅	75% ~ 100%
LED 1、LED 2、LED 3、LED 4 が点灯。	フル充電済み

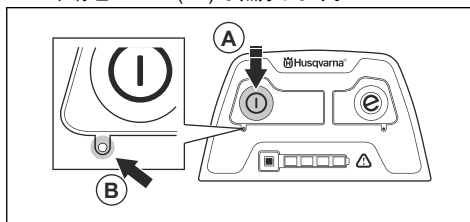
LC 141iV と LC 141i の操作方法

本製品の始動方法

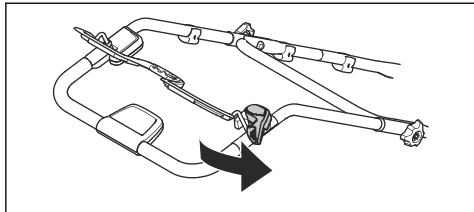
1. 充電済みバッテリーをバッテリー収納部に入れます。
2. 安全キーを 1 に回します。



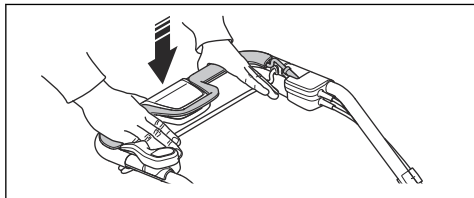
3. 製品の後ろに立ってください。
4. コントロールパネルのオン / オフボタン (A) を押すと、緑色の LED (B) が点灯します。



5. 始動抑制装置を緩めます。

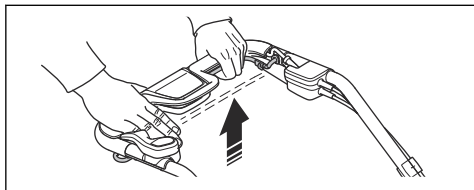


6. ハンドルバーの方向にモーターブレーキハンドルを押します。

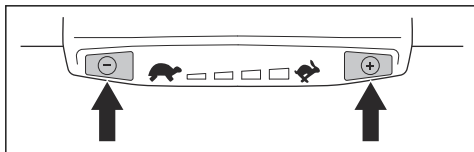


ドライブホイールの使用方法

- モデル LC 141iV。ハンドルバーの方向にドライブベイルを引き、ドライブを始動します。



- コントロールパネルの「+」と「-」を押して、ドライブの速度を4段階に設定できます。

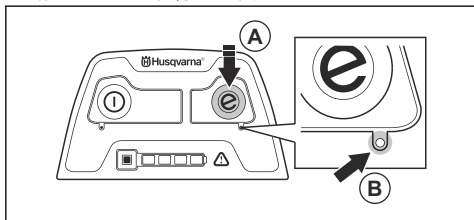


- 障害物に近づいたときなどは、ドライブベイルを放してドライブを解除します。

SavE 機能を有効にするには

本製品には、長時間の動作を実現するバッテリー節約機能 (SavE) が備わっています。

1. SavE ボタン (A) を押すと、この機能が始動します。緑色の LED が点灯します。



2. もう一度 SavE ボタンを押すと、SavE 機能が停止します。緑色の LED (B) が消灯します。

地面の状態に応じて高い出力が必要になると、SavE 機能は自動的に停止します。SavE 機能は、地面の状態により、自動的に開始します。

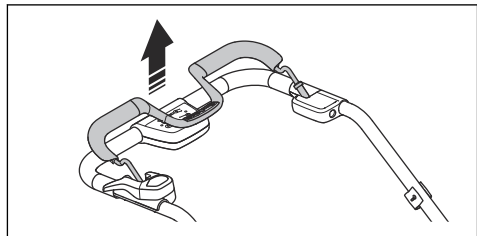
高負荷機能

長い芝や濡れた芝を刈り取るときは、モーターの回転数が自動的に増加します。高負荷が不要になると、モーターは標準モードに戻ります。

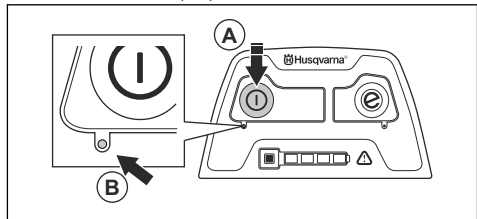
本製品を停止するには

10 分間操作しないと、本製品は自動的に停止します。目の届かないところに本製品を置く場合は、必ず安全キーを「0」の位置に回してください。

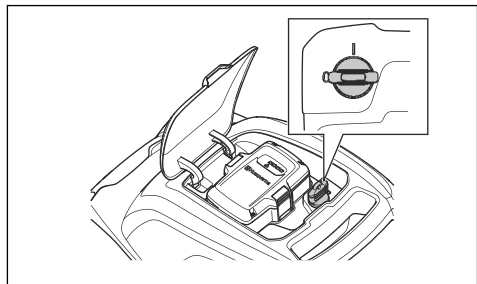
1. モーターブレーキハンドルを放すと、モーターは停止します。



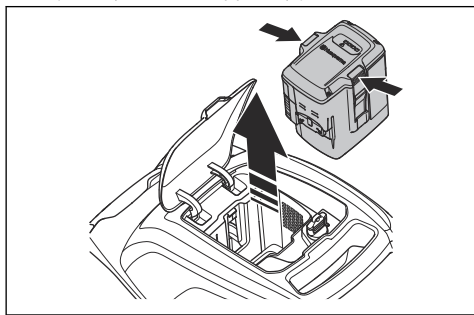
2. コントロールパネルのオン / オフボタン (A) を押すと、緑色の LED (B) が消灯します。



3. バッテリーの蓋を開いて、安全キーを「0」の位置に回します。



4. バッテリーを取り外すには、2つの解除ボタンを押して、バッテリーを引き出します。



5. バッテリーの充電が不足している場合は、充電してください。詳細については、*バッテリーの充電方法 380* ページを参照してください。

LC 141C の操作方法

認可されたケーブルの選択方法 (LC 141C)

注記： 英国仕様の場合、製品に付属の 16 M 延長ケーブルのみを使用してください。その他の国の仕様については、下記の情報を参照してください。

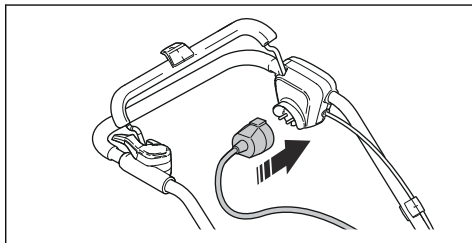
延長ケーブルは使用する場合、下表の最低断面サイズに従う必要があります。

電圧	ケーブル長	断面
220-240 V / 50 Hz	最大 20 m	1.5 mm ²
220-240 V / 50 Hz	20 ~ 50 m	2.5 mm ²

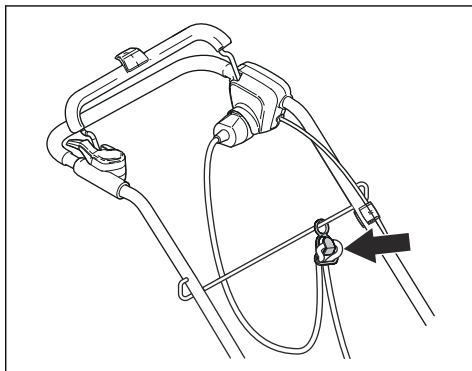
- Husqvarna の屋外向け製品については、主電源のケーブルと延長ケーブルをお住まいの地域の認定サービス代理店でお求めいただけます。
- 必ず屋外用に特化した設計の、次のいずれかの仕様を満たす延長ケーブルを使用してください：一般用ゴム (60245 IEC 53)、一般用 PVC (60227 IEC 53) または一般用 PCP (60245 IEC 57)
- ケーブルが損傷している場合は、危険を回避するために、メーカー、サービス代理店、またはこれに近い有資格者が交換する必要があります。

本製品の始動方法

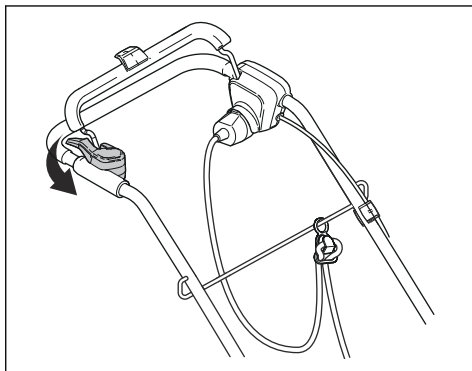
1. 電源コードをハンドルの下のソケットに接続します。



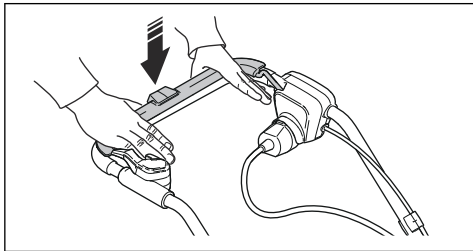
2. 電源コードを電源コードホルダー (モデル LC 141C) の使用方法 373 ページを参照してください。



3. 製品の後ろに立ってください。
4. 始動抑制装置を緩めます。

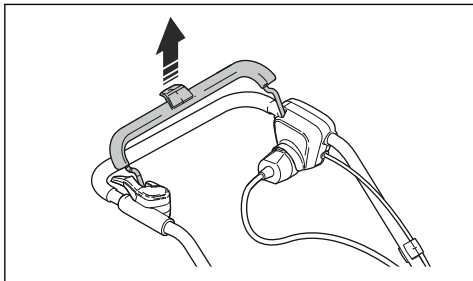


5. ハンドルバーの方向にモーターブレーキハンドルを押しします。

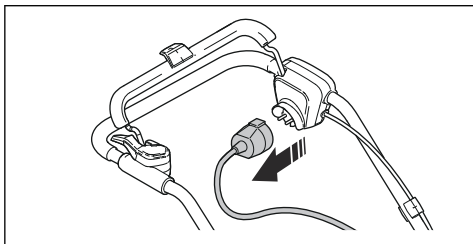


本製品を停止するには

1. モーターブレーキハンドルを放すと、モーターは停止します。



2. 主電源から電源コードを抜いてから、製品から取り外します。



注意： プラグはまっすくに引き抜いてください。電源コードを引っ張らないでください。

良好に芝を刈る方法

- 必ず鋭利なブレードを使用してください。ブレードが鈍っていると、刈り取りにばらつきが出て、芝の切口が黄ばみます。鋭利なブレードを使用すると、鈍いブレードを使用した場合より労力が少なく済みます。
- 芝の長さの $\frac{1}{3}$ 以上刈らないでください。まず刈高を高く設定して刈ります。結果を確認し、必要なレベルまで刈高を下げます。芝がかなり長い場合は、ゆっくり運転し、必要に応じて刈り取り作業を2回行ないます。
- 1回目と2回目は別の方向に向かって刈り、芝面に筋がつかないようにします。

メンテナンス

はじめに



警告： メンテナンスを行う前に、安全に関する章をお読みになり、内容を理解してください。

本製品のすべての整備と修理作業には、特別な訓練が必要です。当社では責任をもって専門的な修理と整備作業を提供します。お客様の販売店がサービス代理店でない

場合は、最寄りのサービス代理店に関する情報をお問い合わせください。

メンテナンススケジュール

メンテナンス間隔は、本製品が毎日使用されることを前提に算出されています。本製品を毎日使用しない場合は、メンテナンス間隔が変わります。

* という印の付いたメンテナンスについては、本製品の安全装置 372 ページを参照してください。

LC 141V、LC 141i、および LC 141C	使用した つど	毎月	季節ごと
一般点検を実施します。	X		

LC 141IV、LC 141i、および LC 141C	使用した つど	毎月	季節ごと
製品を清掃します。	X		
始動抑制装置を点検します*。	X		
本製品の安全装置に不具合がないことを確認します*。	X		
カッティング装置を点検します。	X		
カッティングカバーを点検します*。	X		
モーターブレーキハンドルを点検します*。	X		

LC 141IV および LC 141i のみ	使用した つど	毎月	季節ごと
オン / オフボタンが正しく機能し、不具合がないことを確認します。	X		
バッテリーに損傷がないか点検します。	X		
バッテリー充電器を点検します。	X		
バッテリーの解除ボタンが正常に作動し、本製品にバッテリーをロックできるか確認します。	X		
バッテリー充電器に損傷がないか調べ、正しく作動することを確認します。		X	
バッテリーと本製品の接続部を点検します。バッテリーとバッテリー充電器の接続部も確認します。			X

一般点検の実施方法

- 製品のナットとネジが締め込まれていることを確認してください。
- 製品のケーブルが損傷しやすい場所に配置されていないことを確認してください。

製品の清掃方法

- プラスチック部品は清潔で乾燥した布で清掃してください。
- 本製品を水で洗浄しないでください。バッテリーやモーターに水が浸入して、本製品が短絡したり、破損したりする原因となります。
- 本製品の清掃には高圧水を使用しないでください。
- モーターに直接水をかけないでください。
- ブラシで、葉、草、土を取り除いてください。

バッテリーとバッテリー充電器の清掃方法



注意： バッテリーまたはバッテリー充電器は、水で洗浄しないでください。

- バッテリーをバッテリー充電器にセットする前に、バッテリーとバッテリー充電器に汚れがなく、乾燥していることを確認してください。
- 圧縮空気を使用してバッテリー端子を清掃するか、柔らかい乾いた布で拭いてください。
- バッテリーとバッテリー充電器の表面を柔らかい乾いた布で拭いてください。

カッティング装置の点検方法



警告： LC 141IV および LC 141i モデルの場合：誤って始動しないようにするために、安全キーを「0」の位置に回し、バッテリーを取り外してから最低 5 秒間待ってください。

LC 141C モデルの場合：誤って始動しないようにするために、電源コードを外します。



警告： カッティング装置のメンテナンスを実施するときは、保護グローブを着用してください。ブレードは非常に鋭利なため、切り傷を負う危険性があります。

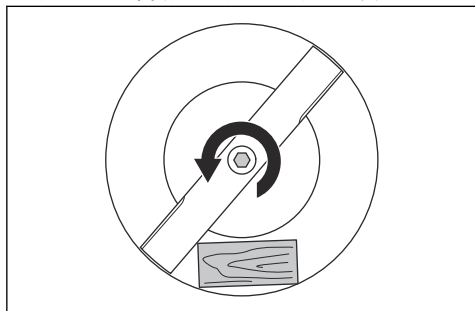
- カッティング装置に損傷やひび割れがないかどうか点検してください。損傷したカッティング装置は必ず交換してください。

2. ブレードが破損していないか、鈍くなっていないかを確認してください。

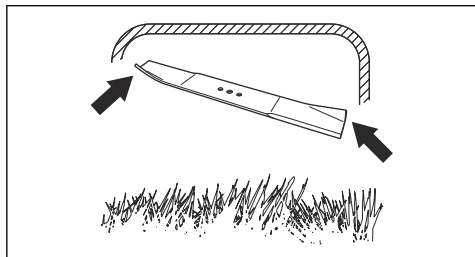
注記： ブレードの目立て後は、ブレードのバランス調整が必要です。サービスセンターに依頼して、ブレードの目立て、交換、バランス調整を受けてください。製品が障害物に当たって停止した場合は、破損したブレードを交換してください。サービスセンターに依頼して、ブレードの目立てが可能かどうか、交換が必要かどうかを判断してもらってください。

ブレードの取り外しと交換方法

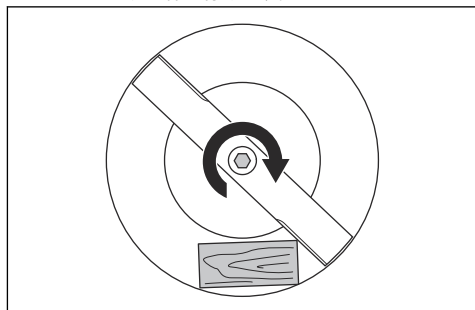
1. ブレードを木製ブロックでロックします。



2. ブレードボルトを取り外します。
3. ブレードを外します。
4. ブレードサポートとブレードボルトに破損がないかどうか点検します。
5. モーターシャフトが曲がっていないかどうか点検します。
6. 新しいブレードを取り付けるときは、角度がついたブレードの端の部分をカッティングカバー方向に向けます。



7. ブレードがモーターシャフトの中心と合っていることを確認します。
8. ブレードを木製ブロックでロックします。スプリングワッシャーを取り付け、ボルトとワッシャーを 20 Nm のトルクで締め付けます。



9. 手でブレードを引き回して、引っかかりなく回転することを確認します。



警告： 丈夫な作業用手袋を着用してください。ブレードは非常に鋭利なため、切り傷を負う危険性があります。

10. 製品を始動してブレードのテストを実施します。ブレードが正しく取り付けられていない場合、製品に振動が発生するが、良好な刈り取り結果を得られません。

トラブルシューティング

バッテリー

バッテリーのLED	原因	解決策
緑色のLEDが点滅する。	バッテリーの電圧が低下しています。	バッテリーを充電してください。バッテリーの充電方法 380 ページを参照してください。
エラーLEDが点滅する。	バッテリーが残りわずかです。	バッテリーを充電してください。バッテリーの充電方法 380 ページを参照してください。
	作業環境の温度が高すぎる、または低すぎる。	バッテリーは -10°C ~ 40°C の温度で使用してください。
	過電圧。	電源の電圧が、本製品の銘板に記載された電圧と同じかどうか確認してください。 バッテリー充電器からバッテリーを外します。5秒待ってから、もう一度バッテリーを充電してください。問題が解決しない場合は、販売店にご相談ください。
エラーLEDが点灯する。	電位差が大きすぎます (1V)。	販売店にご相談ください。

バッテリー充電器

バッテリー充電器のLED	原因	解決策
エラーLEDが点滅する。	作業環境の温度が高すぎる、または低すぎる。	5°C ~ 40°C の温度でバッテリー充電器を使用してください。
エラーLEDが点灯する。		販売店にご相談ください。

コントロールパネル

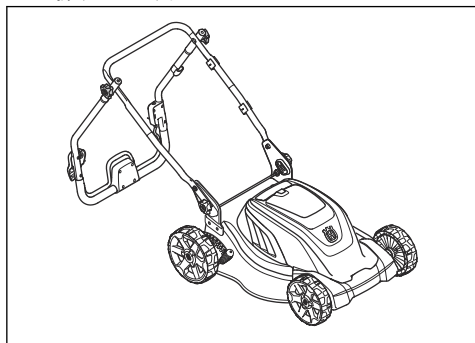
この項に記載されていない不具合については、サービス代理店に相談してください。

キーバッド	想定される障害	対応措置
エラー LED が点滅	モーターが過負荷	刈高を上げてください。刈高の設定方法 379 ページを参照してください。
	モーター速度が低下し、モーターが停止	
	モーター制御が高温	モーターを停止し、冷えるまで待ってください
	ブレードのブロック	誤って始動しないようにするために、安全キーを「0」の位置に回し、バッテリーを取り外してから最低 5 秒間待ってください。ブレードがスムーズに回転するかを確認してください。問題が解決しない場合は、認定サービス代理店に相談してください
製品が停止	バッテリーのエラーまたはバッテリーからの信号なし	バッテリーを製品に正しく取り付け、バッテリーのコネクターを点検してください。バッテリーのエラー LED が点滅する場合は、バッテリー 386 ページを参照してください。
	バッテリーコネクターの不具合	バッテリーコネクターを点検

搬送、保管、廃棄

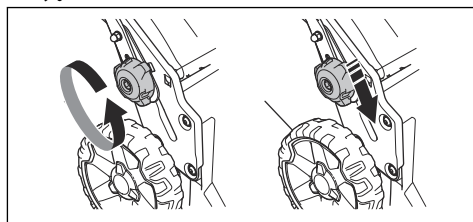
製品を搬送位置にセットする方法

1. グラスキャッチャーを取り外します (取り付けられている場合)。
2. 上部ハンドルにあるノブを緩めて、ハンドルを下側に折り畳みます。

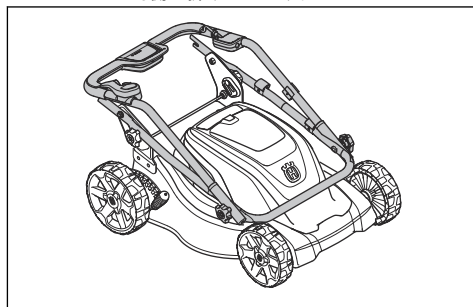


3. 下側ノブを緩めます。

4. 本製品の左右にある溝の下端までノブを動かします。



5. ハンドルを前側に折り畳みます。



搬送

- ・ 付属のリチウムイオン電池には、危険物の規制に関する規則が適用されます。

- ・ 商用搬送においては、梱包およびラベル付けに関する特別な要件を遵守する必要があります。
- ・ 本製品の搬送準備をする際は、危険物に関する規制を遵守していることを確認してください。地域の規制が適用されることがあります。
- ・ 搬送時は常にバッテリーを外してください。
- ・ バッテリーのコネクタにテープを貼り、搬送中にバッテリーが動かないようにしてください。
- ・ 搬送中、本製品を固定してください。
- ・ バッテリーを長期間保管する前に、バッテリー充電量を 30% ~ 50% にしてください。
- ・ 製品、バッテリー、バッテリー充電器は、鍵のかかる場所に保管し、子供や許可されていない人の手が届かないようにしてください。
- ・ 製品を長期間保管する前に、製品を清掃し、完全に整備してください。

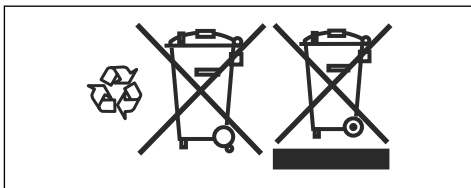
保管

- ・ 保管時は常にバッテリーを外してください。
- ・ 事故防止のため、保管時はバッテリーが本製品に接続されていないことを確認してください。
- ・ バッテリー充電器は、密閉された乾燥した場所に保管してください。
- ・ 湿気や霜が発生しない乾燥した場所に、バッテリーとバッテリー充電器を保管してください。
- ・ 保管時は、バッテリーをバッテリー充電器から取り外してください。
- ・ 静電気が発生するような場所にはバッテリーを保管しないでください。バッテリーは金属製の箱に保管しないでください。
- ・ バッテリーは、5°C ~ 25°C の温度環境で直射日光に当たらない場所に保管してください。
- ・ バッテリー充電器は、5°C ~ 45°C の温度環境で直射日光に当たらない場所に保管してください。

廃棄

本製品や本製品パッケージ上のマークは、本製品が家庭ゴミとして取り扱われてはならないことを示します。電気・電子機器の再利用を行うため、適切にリサイクル業者所に引き渡す必要があります。

以上を遵守することで、本製品は正しく処理され、本製品を不適切に廃棄した場合に環境や人に与えられる悪影響を防止することができます。本製品のリサイクルについての詳細は、あなたの所在する地区の地方自治体、廃棄物処理サービス、本製品を購入した代理店に連絡してください。



主要諸元

LC 141iV、LC 141i の主要諸元

	LC 141iV	LC 141i
カッティングモーター		
モータータイプ	BLDC (ブラシレス) 36 V	BLDC (ブラシレス) 36 V
モーター速度 - SavE、r/min	2700	2700
モーター速度 - 標準、r/min	3100	3100
モーター速度 - 高負荷、r/min	3700	3700
モーター出力 - 最大、kW	0.8	0.8
モーター出力 - 公称、kW	0.55	0.55
駆動モーター		
モーター出力 - 公称、kW	0.25	NA
自走速度、km/h	3.0-4.5	NA
速度調整レベル	4	NA
質量		
バッテリーを除いた質量、kg	21.5	18.6

	LC 141iV	LC 141i
バッテリー ⁹²		
バッテリーの種類	Husqvarna バッテリーシリーズ	Husqvarna バッテリーシリーズ
バッテリー稼働時間		
バッテリー稼働時間、分、(無負荷) SavE (セーブイー) オン、Husqvarna 製 5.2 Ah バッテリー (BLi200) 1 個の場合	77	77
バッテリー稼働時間、分、(無負荷) 標準モードオン、Husqvarna 製 5.2 Ah バッテリー (BLi200) 1 個の場合	45	45
騒音排出 ⁹³		
音響パワーレベル、測定 dB (A)	88	88
音響パワーレベル、保証 L _{WA} dB (A)	89	89
音量レベル ⁹⁴		
使用者の耳における音圧レベル、dB (A)	83	83
振動レベル ⁹⁵		
ハンドル、m/s ²	2.0	2.0
カッティング		
刈高、mm	25-70	25-70
刈幅、cm	41	41
ブレード、製品番号	集草 - 5011716-01	集草 - 5011716-01
バッカー容量、リットル	50	50

認可されたバッテリー	ブランド	型式	バッテリー容量、Ah	電圧、V	質量、ポンド / kg
BLi10	Husqvarna	リチウムイオン	2.0	36	1.8/0.8
BLi100	Husqvarna	リチウムイオン	2.6	36	1.9/0.8
BLi20	Husqvarna	リチウムイオン	4.0	36	2.7/1.2
BLi200	Husqvarna	リチウムイオン	5.2	36	2.8/1.3
BLi300	Husqvarna	リチウムイオン	9.4	36	4.1/1.9

⁹² 最良の結果とパフォーマンスを得るためには、Husqvarna バッテリー BLi200 を推奨します。

⁹³ 環境における騒音の排出は、EC 指令 2000/14/EC に従って、音響パワー (L_{WA}) として測定。

⁹⁴ 報告データによれば、騒音音圧レベルの一般的な統計上のばらつき (標準偏差) は、1.2 dB (A) です。

⁹⁵ 報告データによれば、等価振動レベルの一般的な統計上のばらつき (標準偏差) は、0.2 m/s² です。

指定バッテリーに適合する認定充電器、	ブランド	入力電圧、V	周波数、Hz	電力、W
QC80	Husqvarna	100 ~ 240	50/60	80
QC80F	Husqvarna	12	0	80
QC250	Husqvarna	220 ~ 240	50	250
QC330	Husqvarna	100 ~ 240	50/60	330
QC500	Husqvarna	100 ~ 240	50/60	500

LC 141C の主要諸元

LC 141C	
モーター	
モータータイプ	シリーズ AC モーター
モーター速度 - 標準、r/min	3200
出力	1800 W
電源	電気コード
電源コード (英国仕様のみ付属)	
ケーブルタイプ	16 M 延長コード
質量、kg	1.6
質量	
質量、kg	20.4
騒音排出⁹⁶	
音響パワーレベル、測定 dB (A)	93
音響パワーレベル、保証 L_{WA} dB (A)	95
音量レベル⁹⁷	
使用者の耳における音圧レベル、dB (A)	85
振動レベル⁹⁸	
ハンドル、 m/s^2	2.0
カッティング	
刈高、mm	25-70
刈幅、cm	41
ブレード、製品番号	コレクター 5011716-01
バッガー容量、リットル	50

⁹⁶ 環境における騒音排出は、EC 指令 2000/14/EC に従って、音響パワー (L_{WA}) として測定。

⁹⁷ 報告データによれば、騒音音圧レベルの一般的な統計上のばらつき (標準偏差) は、1.4 dB (A) です。

⁹⁸ 報告データによれば、等価振動レベルの一般的な統計上のばらつき (標準偏差) は、0.2 m/s^2 です。

EC 適合性宣言

Husqvarna AB、SE-561 82 Huskvarna、スウェーデン、
電話：+46-36-146500 は、製造番号が 2018XXXXXXXX 以
降の芝刈機 Husqvarna LC 141iV および製造番号が
2015XXXXXXXX 以降の LC 141i Husqvarna LC 141C が、
評議会指令 (COUNCIL'S DIRECTIVE) の規定に適合し
ていることを宣言します。

- 2011 年 6 月 8 日付「電気・電子製品に含まれる特定
有害物質の使用制限に関する」2011/65/EU
- 2006 年 5 月 17 日付「機械類に関する」2006/42/EC
- 2014 年 2 月 26 日付「電磁波適合性に関する」
2014/30/EU
- - 2000 年 5 月 8 日付「環境への騒音排出に関する」
2000/14/EC

騒音排出に関する詳細は「主要諸元」の章を参照してく
ださい。

Husqvarna LC 141iV および LC 141i の認定は標準規格
に適合しています。 IEC 60335-2-77:2002, IEC
60335-1:2010+A1:2013, EN 55014-1:2017, EN
55014-2:2015, EN 61000-3-2:2014, EN 61000-3-3:2013,
EN 62233:2008

Husqvarna LC 141C の認定は次の標準規格に適合して
います。 EN 60335-1:2012+A11:2014, EN
60335-2-77:2010, EN 62233:2008, EN
55014-1:2017+A11, EN 55014-2:2015, EN
61000-3-2:2019, EN 61000-3-11:2019

試験機関：0404, RISE SMP Svensk Maskinprovning AB,
Box 7035, SE-750 07 Uppsala は、評議会指令
2000/14/EC の付録 VI に基づいて適合性評価を実施しま
した。

Huskvarna, 2020-10-13



開発マネージャー / ガーデン製品担当 Claes Losdal (ハス
クバーナ AB 正式代表兼技術文書担当)

TURINYS

Įvadas.....	393	Gedimai ir jų šalinimas.....	413
Sauga.....	396	Transportavimas, saugojimas ir utilizavimas.....	415
Surinkimas.....	404	Techniniai duomenys.....	416
Naudojimas.....	406	EB atitikties deklaracija.....	419
Techninė priežiūra.....	411		

Įvadas

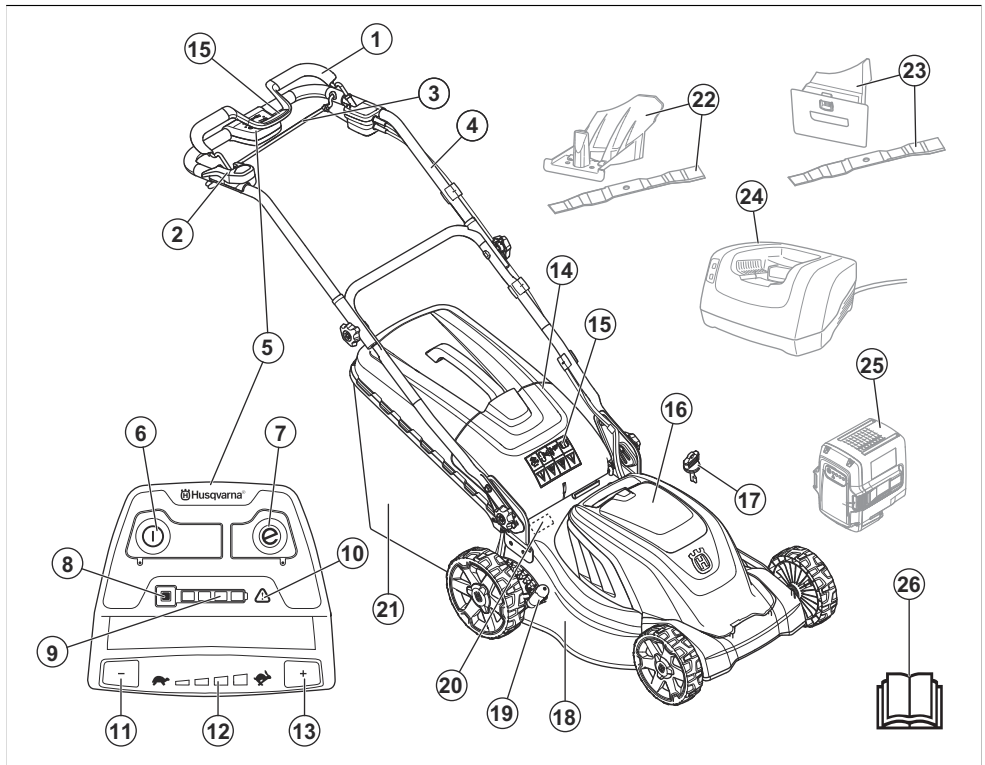
Gaminio aprašas

Šis produktas yra savaeigė sukamoji veļapjovė. Žolė renkama į žolės rinktuvą. Jei norite, kad žolė būtų išmetama per galą, išimkite žolės rinktuvą. Jei žolę norite susmulkinti kaip trąšas, pridėkite mulčiavimo priedą.

Numatytasis naudojimas

Gaminį naudokite žolei pjauti. Nenaudokite gaminio kitiems darbams.

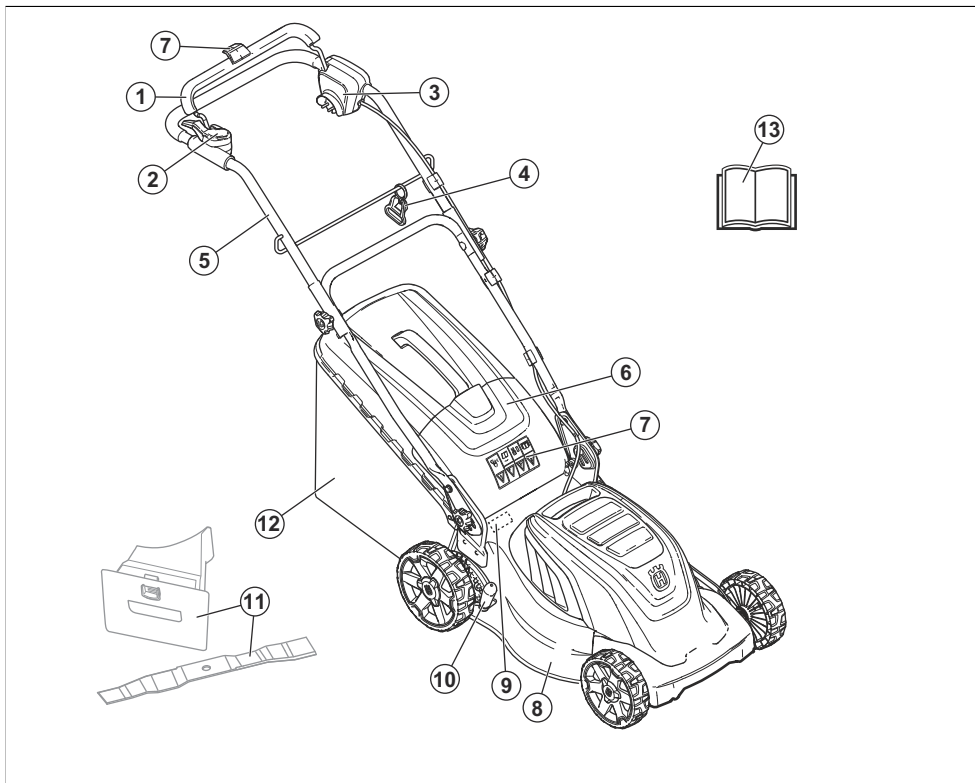
Gaminio apžvalga LC 141iV / LC 141i



1. Variklio stabdymo rankena
2. Apsauga nuo netyčinio paleidimo
3. Pavaros rankena (LC 141iV)
4. Rankena
5. Valdymo skydelis
6. ĮJUNGIMO / IŠJUNGIMO mygtukas
7. „Save“ mygtukas
8. Akumuliatoriaus indikacinis mygtukas

9. Akumuliatoriaus įkrovimo indikatorius
10. Įspėjimo indikatorius (KLAIDOS LED)
11. Greičio mažinimo mygtukas (LC 141iV)
12. Greičio indikatorius (LC 141iV)
13. Greičio didinimo mygtukas (LC 141iV)
14. Galinis dangtis
15. Ženkliai
16. Akumuliatoriaus gaubtas
17. Apsauginis raktelis
18. Pjovimo gaubtas
19. Pjovimo aukščio reguliavimo svirtis
20. Nominaliųjų parametrų plokštelė
21. Žolės rinktuvas
22. Mulčiavimo rinkinys (LC 141iV priedas)
23. Mulčiavimo rinkinys (LC 141i priedas)
24. Akumuliatoriaus įkroviklis (priedas)
25. Akumuliatorius (priedas)
26. Naudojimo instrukcija

Gaminio apžvalga LC 141C



1. Variklio stabdymo rankena
2. Apsauga nuo netyčinio paleidimo
3. Maitinimo laido lizdas
4. Maitinimo laido laikiklis
5. Rankena
6. Galinis dangtis
7. Ženkliai
8. Pjovimo gaubtas
9. Nominaliųjų parametrų plokštelė
10. Pjovimo aukščio reguliavimo svirtis
11. Mulčiavimo kaištis (priedas)

12. Žolės rinktuvas
13. Naudojimo instrukcija

Simboliai ant gaminio



Nerūpestingai arba netinkamai naudojant įrenginį gali būti sužeistas ar netgi žūti

operatorius arba pašaliniai asmenys.



Prieš naudodami gaminį perskaitykite naudojimo instrukciją ir įsitinkinkite, kad instrukcijas suprantate.



Asmenims ir gyvūnams būtina laikytis saugaus atstumo nuo darbo zonos.



Saugokitės išmetamų ir rikošetu atšokusių daiktų.



Įspėjimas: Saugokite rankas bei kojas ir nekiškite jų prie besisukančio peilio.



Įspėjimas: Saugokite rankas bei kojas ir nekiškite jų prie besisukančių dalių.



Prieš atlikdami gaminio priežiūros darbus, ištraukite apsauginį raktelį. (modelis LC 141iV/LC 141i)



Prieš atlikdami gaminio priežiūros darbus, atjunkite gaminį nuo elektros tinklo. (modelis LC 141C)

IPX1 IPX1 – gaminys yra apsaugotas nuo varvančio vandens (modelis LC 141iV/LC 141i)

IPX4 IPX4 – gaminys yra apsaugotas nuo vandens pusrūšų (modelis /LC 141C)



Saugokite gaminį nuo lietaus (modelis LC 141iV/LC 141i)



Įspėjimas: Nenaudokite gaminio ant maitinimo laido, nes galite patirti elektros smūgį arba sugadinti gaminį. (modelis LC 141C)



Šis įrenginys atitinka jam taikomas EB direktyvas.



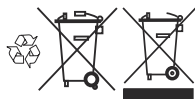
Į aplinką skleidžiamas triukšmas atitinka Europos Bendrijos direktyvą. Gaminio emisijos nurodytos skyriuje „Techniniai duomenys“ ir ant etiketės.



Nuolatinė srovė. 36 V



Dviguba izoliacija.



Nuvežkite šį gaminį į elektros ir elektronikos įrenginių perdirbimo punktą. (galioja tik Europoje)



Modelių LC 141iV/
LC 141i paleidimo procedūra: paspauskite ĮJUNGIMO / IŠJUNGIMO mygtuką, atleiskite apsaugą nuo netyčinio paleidimo, nuspauskite variklio stabdymo rankeną.



Modelio LC 141C paleidimo procedūra: atleiskite apsaugą nuo netyčinio paleidimo, nuspauskite variklio stabdymo rankeną.



Norėdami sustabdyti variklį, atleiskite variklio stabdymo rankeną.



Lėtai



Greitai



Nuskaitomas kodas

Pasižymėkite: Kiti ant gaminio esantys simboliai (lipdukai) yra naudojami pagal kai kurių rinkų sertifikavimo reikalavimus.

Atsakomybė už gaminį

Kaip nurodyta atsakomybės už gaminį įstatymuose, mes nesame atsakingi už mūsų gaminio sukeltą žalą, jei:

- gaminys netinkamai suremontuotas;
- gaminys suremontuotas naudojant kito gamintojo arba gamintojo nepatvirtintas dalis;
- gaminys turi kito gamintojo arba gamintojo nepatvirtintą priedą;
- gaminys suremontuotas ne patvirtintame techninės priežiūros centre arba jį suremontavo ne patvirtintas atstovas.

Sauga

Saugos ženklų reikšmės

Įspėjimai, perspėjimai ir pastabos yra skirtos atkreipti dėmesį į ypač svarbias vadovo dalis.



PERSPĖJIMAS: Naudojamas, kai naudotojui ar šalia esantiems asmenims kyla mirtino arba sunkaus sužeidimo pavojus

arba, jei nesilaikoma vadove pateiktų nurodymų.



PASTABA: Naudojamas, kai kyla pavojus sugadinti gaminį, kitas medžiagas arba padaryti žalą aplinkai, jei nesilaikoma vadove pateiktų nurodymų.

Pasižymėkite: Naudojamas papildomai informacijai apie konkrečią situaciją pateikti.

Bendrieji saugos nurodymai



PERSPĖJIMAS: Prieš naudodami gaminį, perskaitykite toliau esančius įspėjimus.

- Netinkamai arba neatidžiai naudojant šis gaminys yra pavojingas. Jei nesilaikysite saugos nurodymų, kyla sužeidimų arba mirties pavojus.
- Šis gaminys veikdamas sukuria elektromagnetinį lauką. Tam tikromis aplinkybėmis šis laukas gali trikdyti aktyviųjų arba pasyviųjų medicininių implantų veiklą. Kad sumažėtų sunkių ar mirtinų sužeidimų pavojus, medicininių implantų turintiems asmenims rekomenduojame prieš naudojant šį gaminį pasitarti su gydytoju ir implanto gamintoju.
- Visada elkitės atsargiai ir vadovaukitės sveiku protu. Jei tiksliai nežinote, kaip naudoti gaminį konkrečioje situacijoje, sustabdykite darbą ir prieš tęsdami darbą pasitarkite su „Husqvarna“ pardavimo atstovu.
- Atsiminkite, kad už nelaimingus atitikimus, kurių metu nukentės asmenys ar turtas, bus atsakingas naudotojas.
- Rūpinkitės gaminio švara. Įsitinkite, kad galite aiškiai perskaityti ženklus ir lipdukus.
- Neleiskite vaikams bei suaugusiesiems, nesusipažinusiems su instrukcijomis, naudotis įrenginiu. Gali būti, kad pagal vietos teisės aktus ribojamas naudotojo amžius.
- Visada prižiūrėkite gaminį naudojantį fizinę arba protinę negalią turintį asmenį. Būtina nuolatinė atsakingo suaugusiojo priežiūra.
- Neekspluatuokite gaminio, jeigu esate pavargę, sergate, vartojote alkoholio, narkotikų ar vaistų. Tai neigiamai veikia jūsų regėjimą, nuovoką ar koordinaciją.
- Neekspluatuokite gaminio, jei jis sugadintas.
- Nekeiskite gaminio ir nenaudokite jo, jei jį galėjo pakeisti kiti.

Sauga darbo vietoje



PERSPĒJIMAS: Prieš naudodami gaminį, perskaitykite toliau esančius įspėjimus.

- Prieš naudodami gaminį nuo darbo zonos pašalinkite tokius objektus, kaip šakos, šakelės ir akmenys.
- Atsitrenkę į pjovimo įrangą objektai gali atšokti ir sužeisti asmenis bei sugadinti daiktus. Šalia esantiems asmenims ir gyvūnams būtina laikytis saugaus atstumo nuo gaminio.
- Gaminio niekuomet nenaudokite blogu oru, pvz., kai pakyla rūkas, lyja, pučia stiprus vėjas, stipriai šąla ir gali žaibuoti. Darbas gaminiu blogu oru arba drėgnose ar šlapiose vietose yra varginantis. Blogu oru gali susidaryti pavojingos sąlygos, pvz., slidūs paviršiai.
- Saugokitės asmenų, daiktų ir tam tikrų situacijų kurios gali neleisti saugiai naudoti gaminio.
- Saugokitės kliūčių, pvz., šaknų, akmenų, šakelių, duobių ir griovių. Aukštoje žolėje kliūtys gali būti nematomos.

- Gali būti pavojinga pjauti žolę įkalnėse. Nepjaukite pernelyg stačiuose šlaituose. Nenaudokite gaminio, jei šlaitas yra statesnis nei 15°
- Būkite ypač atsargūs keisdami judėjimo kryptį ant kalno šlaitų. Šlaitus pjaukite skersai. Nevažiuokite į viršų ir žemyn.
- Būkite atsargūs artėdami prie nematomų kampų ir daiktų, kurie užstoja vaizdą.

Darbo sauga



PERSPĒJIMAS: Prieš naudodami gaminį, perskaitykite toliau esančius įspėjimus.

- Gaminį naudokite tik vejų žolei pjauti. Neleidžiama jo naudoti kitoms užduotims atlikti.
- Naudokite asmenines apsaugines priemones. Žr. *Asmeninės apsauginės priemonės psl. 400.*
- Įsitikinkite, kad žinote, kaip greitai sustabdyti variklį nelaimės atveju.
- Nenaudokite gaminio lietuje arba drėgnoje aplinkoje. Į gaminį patekus vandens, padidėja elektros smūgio pavojus.

- Nenaudokite gaminio tinkamai neuždengę peilio ir neuždėję kitų dangčių. Netinkamai uždėtas peilis gali atsilaisvinti ir sužeisti.
- Užtikrinkite, kad peilis neatsitrenktų į tokius objektus, kaip akmenys ir šaknys. Tai gali sugadinti peilį ir sulenkti variklio veleną. Sulenkta ašis sukelia didelę vibraciją ir kyla didžiulis pavojus, kad peilis atsilaisvins.
- Jei į peilį atsitrenkia objektas arba susidaro vibracijos, nedelsdami sustabdykite gaminį. Sustabdykite variklį, pasukite apsauginį raktelį į padėtį „0“ ir išimkite akumuliatorių (modeliai LC 141iV ir LC 141i) arba atjunkite maitinimo laidą (modelis LC 141C). Patikrinkite, ar gaminys neapgadintas. Pataisykite sugadintas dalis arba remonto darbus perleiskite įgaliojamam techninės priežiūros atstovui.
- Niekada nepritvirtinkite variklio stabdymo rankenos prie rankenos visam laikui, kai variklis veikia.
- Padėkite gaminį ant stabilaus, plokščio paviršiaus ir paleiskite jį. Patikrinkite, ar peilis neliečia žemės ar kokių kitų daiktų.
- Visada būkite už gaminio, kai jį naudojate.
- Prižiūrėkite, kad visi ratukai būtų ant žemės ir abi rankas laikykite ant rankenos, kai naudojate gaminį. Saugokite rankas bei kojas ir nekiškite jų prie besisukančių peilių.
- Dirbant varikliui nepakreipkite gaminio.
- Būkite atsargūs, kai gaminį traukiate atgal.
- Dirbant varikliui niekada nekelkite gaminio. Jeigu gaminį būtina pakelti, pirmiausia išjunkite variklį, pasukite apsauginį raktelį į padėtį „0“ ir išimkite akumuliatorių (modeliai LC 141iV ir LC 141i) arba atjunkite maitinimo laidą (modelis LC 141C).
- Naudodami gaminį neikite atgal.
- Veždami įrenginį per zonas be žolės, pvz., žvirgždo, akmenų ir asfalto takelius, sustabdykite variklį.
- Dirbant varikliui nebėkite su gaminiu. Naudodami gaminį visada eikite.
- Prieš pakeisdami pjovimo aukštį pirmiausia išjunkite variklį. Niekada nereguliuokite varikliui veikiant.

- Niekada nepaleiskite gaminio iš akių, kai veikia variklis. Išjunkite variklį ir įsitinkinkite, kad pjovimo įranga nesisuka.

Naudojimo saugos instrukcijos

Asmeninės apsauginės priemonės



PERSPĖJIMAS: Prieš naudodami gaminį, perskaitykite toliau esančius įspėjimus.

- Asmeninės apsauginės priemonės nepadės visiškai išvengti pavojaus susižeisti, tačiau nelaimingo atsitikimo atveju mažiau nukentėsite. Leiskite prekybos atstovui padėti pasirinkti tinkamą įrangą.
- Avėkite patvarius, neslystančius batus. Neavėkite atvirų batų ir nebūkite basi.
- Dėvėkite storas, ilgas kelnes.
- Kai būtina, pvz., montuojant, apžiūrint arba valant pjovimo įrangą, užsimaukite apsaugines pirštines.

Gaminio apsauginės priemonės



PERSPĖJIMAS: Prieš naudodami gaminį, perskaitykite toliau esančius įspėjimus.

- Nesinaudokite gaminiu, jei jo apsauginės priemonės yra netvarkingos.

- Reguliariai tikrinkite apsaugines priemones. Jei apsauginės priemonės yra pažeistos, pasitarkite su Husqvarna techninės priežiūros atstovu.

Atlikite pjovimo gaubto patikrą.

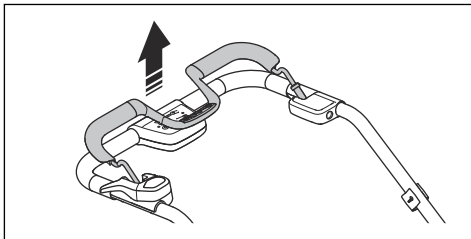
Pjovimo gaubtas sumažina gaminio vibracijas ir sumažina disko keliamą sužeidimų pavojų.

- Apžiūrėkite pjovimo gaubtą, kad įsitikintumėte, jog nėra pažeidimų, pvz., įtrūkių.

Variklio stabdymo rankena

Variklio stabdymo rankena sustabdo variklį. Atleidus variklio stabdymo rankeną variklis sustoja.

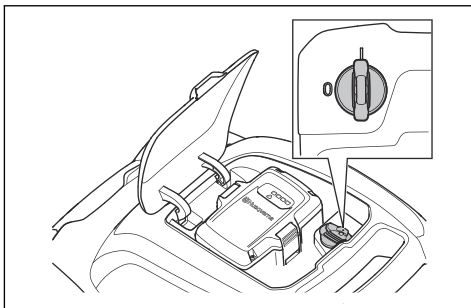
Norėdami patikrinti variklio stabdį, paleiskite variklį ir atleiskite variklio stabdymo rankeną. Jei variklis nesusustoja per 3 sekundes, paprašykite, kad įgaliotasis „Husqvarna“ techninės priežiūros atstovas sureguliuotų variklio stabdį.



Apsauginis raktelis (modeliai LC 141IV ir LC 141I)

Apsauginis raktelis yra po akumulatoriaus gaubtu. Apsauginis raktelis prijungia akumuliatorių, kuris tiekia varikliui energiją.

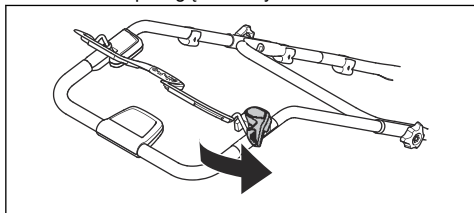
- Norėdami patikrinti apsauginį raktelį, paleiskite ir sustabdykite variklį.
- Jei apsauginis raktelis veikia tinkamai, variklis paleidžiamas tik kai pasukate raktelį į padėtį „1“.



Apsaugos nuo netyčinio užvedimo patikrinimas

Patikrinkite apsaugą nuo netyčinio užvedimo ir įsitinkinkite, kad ji neleidžia užvesti variklio.

1. Pastumkite variklio stabdymo rankeną link gaminio rankenos. Apsauga nuo netyčinio užvedimo neleidžia judėti.
2. Išstumkite apsaugą nuo netyčinio užvedimo.

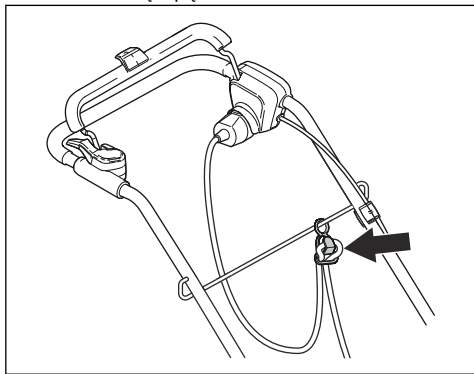


3. Atleiskite apsaugą nuo netyčinio užvedimo ir įsitikinkite, kad ji grįžta į savo pradinę padėtį.

Maitinimo laido laikiklio naudojimas (modelis LC 141C)

Maitinimo laido laikiklis sumažina maitinimo lizdai ir laidus tenkančią apkrovą. Maitinimo laido laikiklis taip pat sumažina pavojų pargriūti.

1. Sulenkite maitinimo laidą į mažą kilpą.
2. Įkiškite kilpą į maitinimo laido laikiklio angą.
3. Užnerkite kilpą ant kablo.
4. Patraukite maitinimo laidą, kad užveržtumėte ant kablo užnertą kilpą.



Akumuliatorių naudojimo sauga



PERSPĖJIMAS: Prieš naudodami gaminį, perskaitykite toliau esančius įspėjimus.

- Kaip susijusių „Husqvarna“ gaminių maitinimo šaltinį

naudokite tik „Husqvarna“ įkraunamus akumulatorius. Kad išvengtumėte sužeidimų, nenaudokite akumulatoriaus kaip kitų gaminių maitinimo šaltinio.

- Nenaudokite neįkraunamų akumuliatorių.
- Elektros smūgio pavojus. Nejunkite akumulatoriaus gnybtų prie raktų, monetų, atsuktuvų ar kitų metalinių daiktų. Galite sukėti akumulatoriaus trumpąjį jungimą.
- Nekiškite objektų į akumulatoriaus oro angas.
- Saugokite akumuliatorių nuo tiesioginių saulės spindulių, karščio ar atviros ugnies. Akumulatorius gali sprogti ir sukelti terminius ir (arba) cheminius nudegimus.
- Saugokite akumuliatorių nuo lietaus ir drėgmės.
- Saugokite akumuliatorių nuo mikrobangų ir aukšto slėgio.
- Nebandykite akumulatoriaus išmontuoti ar sulaužyti.
- Jei iš akumulatoriaus teka skystis, saugokite nuo jo kūną ir akis. Jei palietėte skystį, gerai nuplaukite šią vietą vandeniu ir kreipkitės pagalbos į medikus.

- Akumuliatorių naudokite nuo $-10\text{ }^{\circ}\text{C}$ iki $40\text{ }^{\circ}\text{C}$ temperatūroje.
- Nevalykite akumulatoriaus ar įkroviklio vandeniu. Žr. *Akumulatoriaus ir akumulatoriaus įkroviklio valymas psl. 412*
- Nenaudokite sugadinto arba pažeisto akumulatoriaus.
- Laikykite akumulatorius atokiau nuo metalinių daiktų, pavyzdžiui, vinių, monetų, juvelyrinių dirbinių.

Įkroviklio sauga



PERSPĖJIMAS: Prieš naudodami gaminį, perskaitykite toliau esančius įspėjimus.

- „Husqvarna“ pakaitiniams akumulatoriams įkrauti naudokite tik QC akumuliatorių įkroviklius.
- Elektros smūgio ar trumpojo jungimo pavojus. Nekiškite objektų į įkroviklio oro angas. Nebandykite išmontuoti akumulatoriaus įkroviklio. Neprijunkite įkroviklio gnybtų prie metalinių daiktų. Naudokite patvirtintą elektros tinklo lizdą.
- Šis gaminys veikdamas sukuria elektromagnetinį lauką. Tam tikromis aplinkybėmis šis laukas gali trikdyti aktyviųjų arba pasyviųjų medicininių implantų veiklą. Kad sumažėtų sunkaus ar netgi mirtino sužeidimo pavojus, medicininių implantų turintiems asmenims rekomenduojame prieš naudojant šį gaminį pasitarti su gydytoju ir implanto gamintoju.
- Nuolat patikrinkite akumulatoriaus įkroviklio maitinimo laidą, ar jis nepažeistas ir nėra įtrūkimų.
- Nekelkite akumulatoriaus įkroviklio už maitinimo laido. Norėdami atjungti akumulatoriaus įkroviklį nuo elektros lizdo, traukite už kištuko. Netraukite už elektros laido.
- Maitinimo laidą ir ilginamuosius kabelius saugokite nuo vandens, alyvos ir aštrių kampų. Būkite atidūs, kad kabelio neprispaustų durys, tvoros ar pan. Priešingu atveju įkrovikliu gali imti tekėti elektros srovė.
- Nevalykite akumulatoriaus įkroviklio vandeniu.
- Akumulatoriaus įkroviklį gali naudoti vaikai nuo 8 metų amžiaus ir kiti asmenys su

ribotais fiziniais, jutimiais ar protiniais sugebėjimais, arba stokojantys patirties ar žinių, jei yra prižiūrėti arba instrukuoti dėl saugaus akumulatoriaus įkroviklio naudojimo ir supranta gresiančius pavojus. Vaikams su akumulatoriaus įkrovikliu žaisti negalima. Be priežiūros vaikai neturėtų valyti prietaiso ir atlikti naudotojo priežiūros darbų.

- Akumuliatorių įkrovikliu nekraukite neįkraunamų akumuliatorių.
- Nenaudokite akumulatoriaus įkroviklio šalia degių arba koroziją sukeliančių medžiagų. Neuždenkite įkroviklio. Pastebėję dūmus ar liepsną, ištraukite akumulatoriaus įkroviklio kištuką.
- Nenaudokite sugadinto arba pažeisto akumulatoriaus įkroviklio.
- Įkraukite akumuliatorių tik viduje, gerai vėdinamoje patalpoje, saugodami nuo saulės spindulių. Nekraukite akumulatoriaus drėgnomis sąlygomis.

Maitinimo laido sauga

Modeliui LC 141C

- Rekomenduojama naudoti liekamosios srovės įtaisą

(RCD) su ne didesne nei 30 mA atjungiamąja srove. Net jei RDC yra sumontuotas, 100 % sauga negarantuojama ir visuomet būtina laikyti saugaus darbo procedūrų. Kiekvieną kartą naudodami RCD, jį patikrinkite.

- Jei maitinimo laidas įpjauamas arba pažeidžiama izoliacija, nedelsdami atjunkite įrenginį nuo maitinimo tinklo.
- Nelieskite įpjauto ar pažeisto maitinimo laido, kol neatjungsitės elektros maitinimo.
- Netaisykite įpjauto ar pažeisto kabelio. Pakeiskite jį nauju.

Priežiūros saugos instrukcijos



PERSPĖJIMAS: Prieš naudodami gaminį, perskaitykite toliau esančius įspėjimus.

- Modeliui LC 141iV, LC 141i: Kad atlikdami priežiūros darbus išvengtumėte netyčinio užvedimo, pasukite apsauginį raktelį į padėtį „0“ ir išimkite akumuliatorių. Palaukite bent 5 sekundes ir tik tada pradėkite priežiūros darbus.
- Modeliui LC 141C: Kad netyčia nepaleistumėte atlikdami priežiūros darbus, atjunkite maitinimo laidą.
- Kad gaminys tarnautų ilgiau ir sumažėtų nelaimingų

atsitikimų pavojus, tinkamai atlikite priežiūros darbus. Profesionalius remonto darbus leiskite atlikti patvirtintam techninės priežiūros atstovui. Jei reikia daugiau informacijos, kreipkitės į artimiausią techninės priežiūros atstovą.

- Atlikite tik naudojimo instrukcijoje nurodytus techninės priežiūros darbus. Sudėtingesnius darbus turi atlikti patvirtintas techninės priežiūros atstovas.
- Naudodami pjovimo įrangą, mūvėkite storas darbinės pirštines. Peilis labai aštrus ir gali lengvai įpjauti.
- Kad darbas vyktų saugiai ir efektyviai, pasirūpinkite, kad pjovimo briaunos būtų aštrios.

- Leiskite savo techninės priežiūros atstovui reguliariai tikrinti gaminį ir atlikti reikiamus nustatymo ir remonto darbus.
- Pakeiskite pažeistas, sulūžusias arba susidėvėjusias dalis.
- Laikykitės priedų keitimo nurodymų. Naudokite tik gamintojo priedus.
- Kai nenaudojate, laikykite gaminį, akumuliatorių ir akumulatoriaus įkroviklį atskirai, sausoje užrakintoje patalpoje. Pasirūpinkite, kad vaikai ir pašaliniai asmenys negalėtų pasiekti gaminio, akumulatoriaus ar akumulatoriaus įkroviklio.

Surinkimas

Įvadas



PERSPĖJIMAS: Prieš surinkdami produktą perskaitykite skyrių apie saugą.

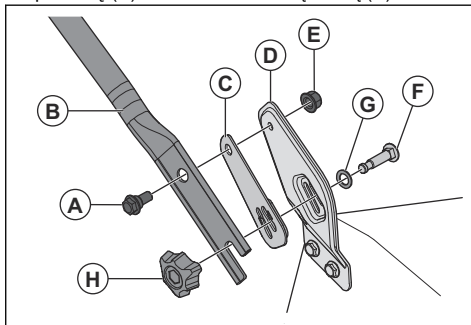


PERSPĖJIMAS: Modeliui LC 141iV, LC 141i: Kad surinkimo metu išvengtumėte netyčinio paleidimo, pasukite apsauginį raktelį į padėtį „0“, išimkite akumuliatorių ir palaukite mažiausiai 5 sekundes.

Modeliui LC 141C: Kad netyčia nepaleistumėte surinkdami, atjunkite maitinimo laidą.

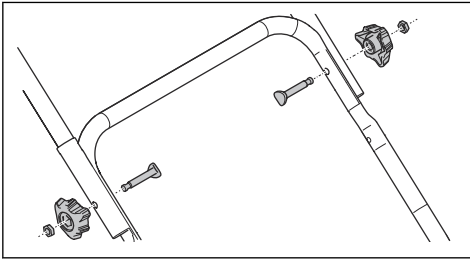
Rankenos surinkimas

1. Įstumkite varžtą (A) pro rankeną (B), plastikine poveržlę (C) ir rankenos atraminį laikiklį (D).

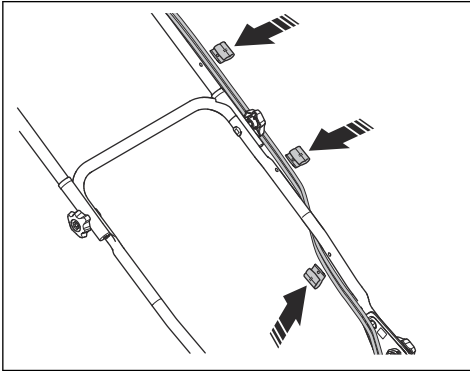


2. Iki galo priveržkite veržlę (E).
3. Įstumkite varžtą (F) pro poveržlę (G) ir rankenos atraminį laikiklį.

4. Iki galo priveržkite rankenėlę (H).
5. Sulygiuokite rankenos angas su apatinės rankenos angomis ir prisukite varžtus, poveržles ir rankenėles. Iki galo priveržkite rankenėles.

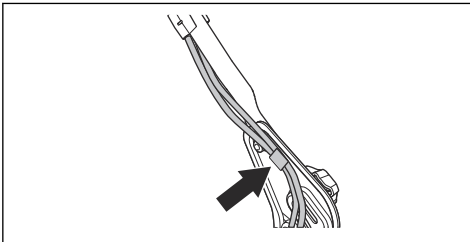


6. Kabelius prie rankenų pritvirtinkite laido laikikliais.



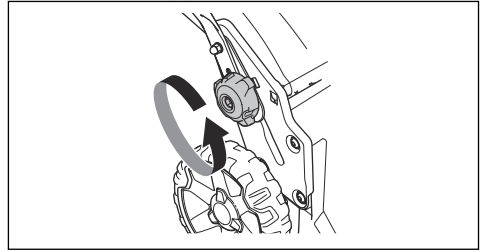
Pasižymėkite: Įsitikinkite, kad kabeliai nėra per daug įtempti. Per smarkiai įtemptus galima pažeisti kabelį, kai rankena nulenkiama į transportavimo padėtį.

7. Laidus užkabinkite ant kablo rankenos apačioje.

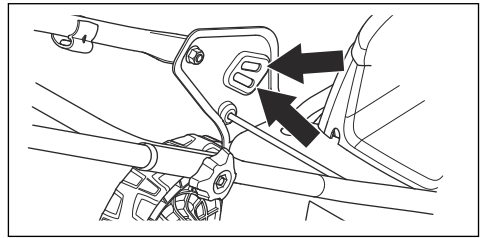


Rankenos aukščio reguliavimas

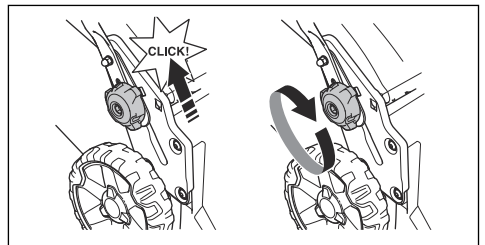
1. Atsukite apatines rankenėles.



2. Ištraukite rankenėlę, poveržlę ir varžtą kairėje ir dešinėje pusėse.
3. Galima nustatyti 2 skirtingus rankenos aukščius. Įstatykite varžtą į vieną iš 2 angų kairėje ir dešinėje pusėse.

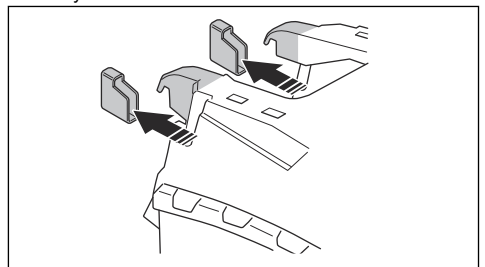


4. Prisukite varžtus, poveržles ir rankenėles.
5. Stumkite rankenėles į viršų link rankenos, kol jos sustos ir išgirsite spragtelėjimą. Iki galo priveržkite rankenėles.

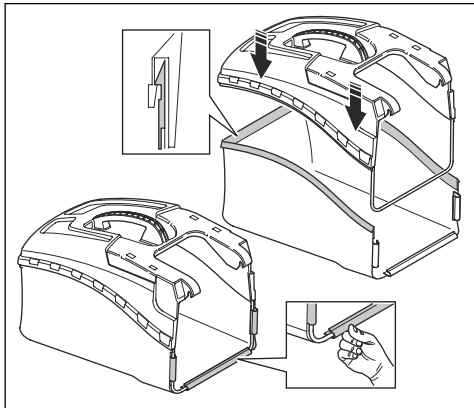


Žolės rinktuvo montavimas

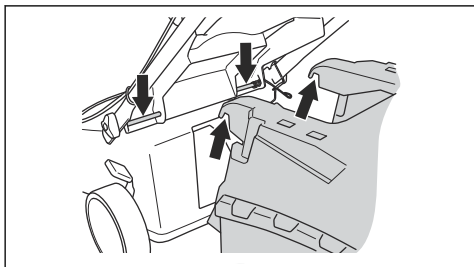
1. Pastumkite 2 transportavimo gaubtus į išorę ir žemyn.



- Uždėkite viršutinę žolės rinktuvo dalį ant apatinės dalies. Pritvirtinkite žolės rinktuvo rėmą fiksatoriais.

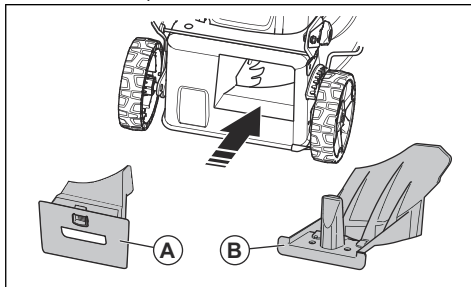


- Pakelkite galinį dangtelį.
- Pritvirtinkite žolės rinktuvo kabliukus prie viršutinio važiuoklės krašto.



Mulčiavimo rinkinio montavimas

- Pakelkite galinį gaubtą ir išimkite žolės rinktuvą.
- Įstatykite mulčiavimo priedą į žolės išmetimo kanalą. A tipo mulčiavimo priedas yra skirtas LC 141i ir LC 141C. B tipas skirtas LC 141iV.



- Uždarykite galinį dangtelį.
- Pakeiskite peilį universaliu peiliu, žr. *Peilio išėmimas ir pakeitimas psl. 413*.

Naudojimas

Įvadas



PERSPĖJIMAS: Prieš naudodami gaminį perskaitykite ir supraskite saugos skyriaus informaciją.

Husqvarna Connect

Husqvarna Connect yra nemokama programėlė, skirta mobiliesiems įrenginiams. Programėlė Husqvarna Connect suteikia Husqvarna gaminiui papildomas funkcijas:

- Papildoma informacija apie gaminį.
- Informacija ir patarimai apie gaminio dalis ir priežiūrą.

Norėdami pradėti naudoti Husqvarna Connect

- Atsisiųskite „Husqvarna Connect“ programėlę į mobiliąjį įrenginį.

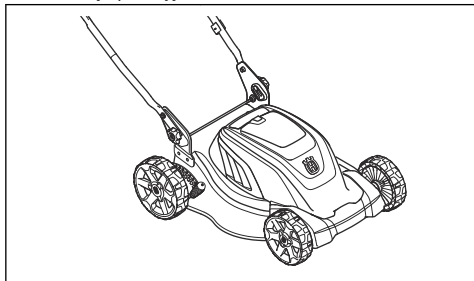
- Užsiregistruokite „Husqvarna Connect“ programėlėje.

- Norėdami prisijungti ir užregistruoti gaminį, vykdykite „Husqvarna Connect“ programėlėje pateiktas instrukcijas.

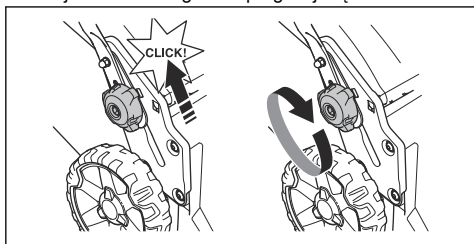
Produkto paruošimas transportuoti

Jei rankena nulenka į transportavimo ir saugojimo padėtį (žr. *Gaminio paruošimas transportuoti psl. 415*), atlikite tolesnę procedūrą, kad grąžintumėte rankeną į darbinę padėtį.

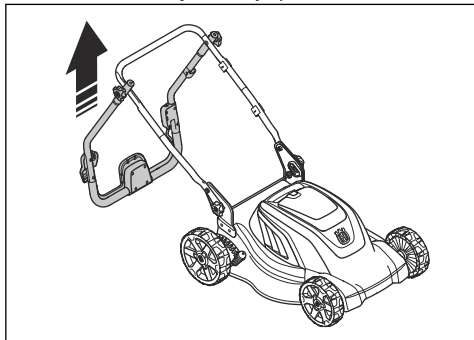
1. Kelkite rankeną, kol apatinė rankena užsifiksuos darbinėje padėtyje.



2. Stumkite apatines rankenėles į viršų link rankenos, kol jos sustos ir išgirsite spragtelėjimą.



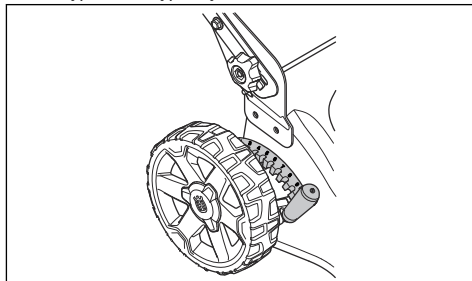
3. Priveržkite tvirtinimo rankenėles.
4. Pakelkite viršutinę rankeną ir priveržkite rankenėles.



Pjovimo aukščio nustatymas

1. Kad padidintumėte pjovimo aukštį, pjovimo aukščio svirtį palenkite atgal.

2. Kad sumažintumėte pjovimo aukštį, pjovimo aukščio svirtį palenkite į priekį.



PASTABA: Nenustatykite per žemo pjovimo aukščio. Peiliai gali užkliudyti žemei, jei vejos paviršius nelygus.

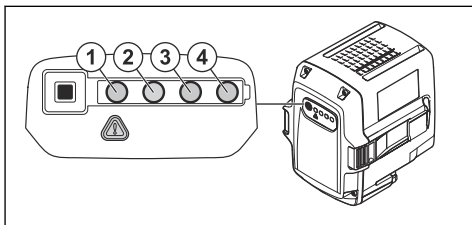
Akumulatorius



PERSPĖJIMAS: Prieš naudodami akumuliatorių perskaitykite ir supraskite saugos skyriaus informaciją. Taip pat turite perskaityti ir suprasti akumuliatoriaus bei akumuliatoriaus įkroviklio naudojimo instrukcijas.

Akumuliatoriaus būseną

Ekrane rodoma likusi akumuliatoriaus talpa ir galimos akumuliatoriaus problemos. Akumuliatoriaus talpa rodoma 5 sekundes po gaminio išjungimo arba po akumuliatoriaus indikatorius mygtuko paspaudimo. Akumuliatoriaus išpėjimo simbolis užsidega, kai įvyksta klaida. Žr. *Akumuliatorius psl. 413*



Šviesos diodai	Akumuliatoriaus būseną
Šviečia visi diodai	Visiškai įkrautas (75–100 %)
Šviečia 1, 2 ir 3 diodai	Akumuliatorius įkrautas 50–75 %
Šviečia 1, 2 diodai	Akumuliatorius įkrautas 25–50 %
Šviečia 1 diodas	Akumuliatorius įkrautas 0–25 %

Šviesos diodai	Akumuliatoriaus būsena
Mirksi 1 diodas	Akumuliatorius tuščias. Įkraukite akumuliatorių.

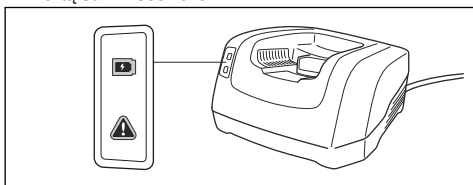
Akumuliatoriaus įkrovimas

Prieš naudodami pirmą kartą, akumuliatorių įkraukite. Klientui pateikiamas akumuliatorius yra įkrautas tik 30 %.

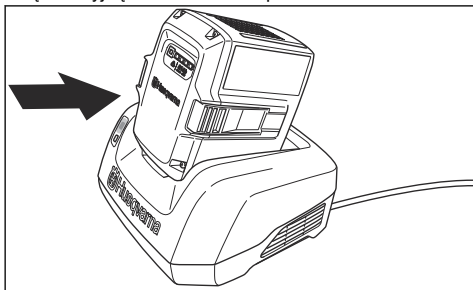
Pasižymėkite: Akumuliatorių įkroviklį būtina prijungti prie parametrų plokštelėje nurodytos įtampos ir dažnio maitinimo lizdo.

Akumuliatorius neįkraunamas, jei jo temperatūra aukštesnė nei 50 °C. Prieš pradėdamas įkrauti, akumuliatoriaus įkroviklis sumažina akumuliatoriaus temperatūrą.

1. Prijunkite vieną akumuliatoriaus įkroviklio maitinimo laido galą prie akumuliatoriaus įkroviklio lizdo.
2. Prijunkite kitą akumuliatoriaus įkroviklio maitinimo laido galą prie išeminto elektros lizdo. Akumuliatoriaus įkroviklio LED indikatorius vieną kartą sumirksės žaliai.



3. Akumuliatorių įstatykite į įkroviklį. Prijungus akumuliatorių prie akumuliatoriaus įkroviklio, įkroviklyje išsižiebia žalia lemputė.



4. Išsižiebus visiems akumuliatoriaus LED indikatoriams, akumuliatorius yra visiškai įkrautas. Akumuliatorių kraukite daugiausia 24 valandas.
5. Norėdami atjungti akumuliatoriaus įkroviklį nuo elektros lizdo, traukite už kištuko, o ne už maitinimo laido.
6. Iš įkroviklio išimkite akumuliatorių.

Akumuliatoriaus įkrovimo būsena

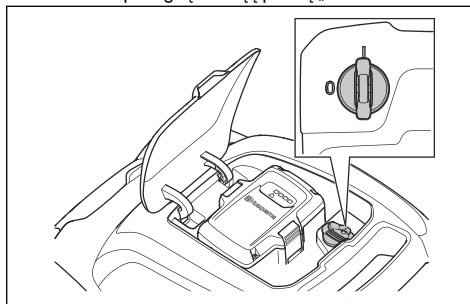
„Husqvarna“ ličio jonų akumuliatorius galima įkrauti ir naudoti nepaisant jų įkrovimo lygio. Akumuliatorius nepažeistas. Visiškai įkrautas akumuliatorius nepraras savo krūvio jį palikus įkroviklyje.

LED ekranas	Įkrovimo būsena
Mirksi 1 diodas	0–25 %
1 diodas mirksi, 2 šviečia	25–50 %
1, 2 diodas šviečia, 3 mirksi	50–75 %
1, 2, 3 diodai šviečia, 4 mirksi	75–100 %
Šviečia 1, 2, 3, 4 šviesos diodai	Visiškai įkrautas

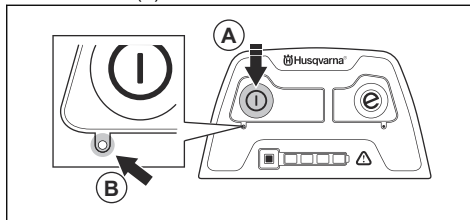
LC 141iV ir LC 141i naudojimas

Gaminio paleidimas

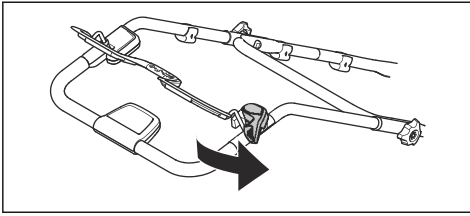
1. Įkrautą akumuliatorių įstatykite į akumuliatoriaus skyrių.
2. Pasukite apsauginį raktelį į padėtį „1“.



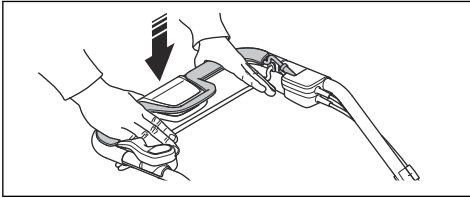
3. Stovėkite už gaminio.
4. Valdymo skydelyje paspauskite ĮJUNGIMO / IŠJUNGIMO mygtuką (A) ir išsižiebs žalias LED indikatorius (B).



5. Atleiskite apsaugą nuo netyčinio paleidimo.

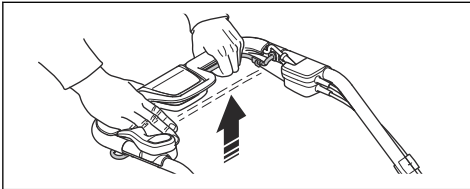


6. Pastumkite variklio stabdymo rankeną link gaminio rankenos.

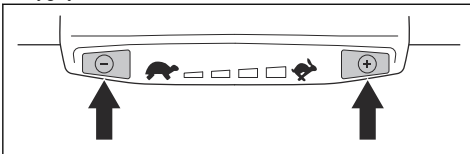


Ratų pavaros naudojimas

- Modelis LC 141iV. Patraukite pavaros rankeną link gaminio rankenos, kad įjungtumėte pavarą.



- Spauskite valdymo skydelyje esančius mygtukus „+“ ir „-“, kad nustatytumėte vieną iš 4 važiavimo greičio lygių.

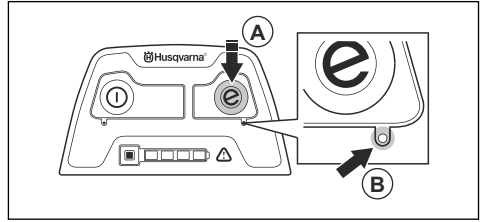


- Atleiskite pavaros rankeną, kad išjungtumėte pavarą, pvz., kai priartėjate prie kliūties.

„SavE“ funkcijos naudojimas

Gaminyje yra akumuliatoriaus taupymo funkcija („SavE“), leidžianti pailginti naudojimo trukmę.

1. Paspauskite mygtuką „SavE“ (A), kad įjungtumėte funkciją. Įsižiebs žalias LED indikatorius.



2. Paspauskite mygtuką „SavE“ (A) dar kartą, kad išjungtumėte funkciją. Žalias LED indikatorius (B) išsijungs.

„SavE“ funkcija sustabdoma automatiškai, jei dėl paviršiaus sąlygų reikalinga didesnė galia. „SavE“ funkcija įjungiama automatiškai, kai paviršiaus sąlygos tai leidžia.

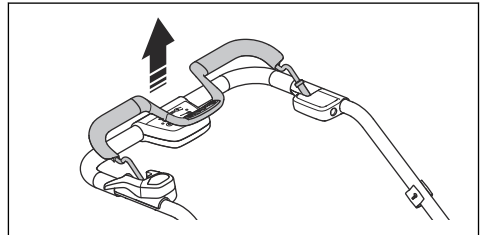
Didelės apkrovos funkcija

Gaminys pjaunant aukštą ar šlapią žolę, variklio sūkliai automatiškai padidinami. Kai didelės apkrovos funkcija nebūtina, variklis vėl pradeda veikti standartiniu režimu.

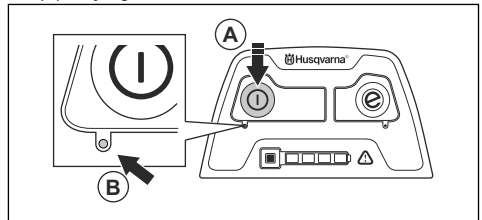
Gaminio sustabdymas

Gaminys sustabdomas automatiškai, jei nenaudojate jo 10 minučių. Prieš palikdami produktą neprižiūrimą, visada pasukite apsauginį raktelį į padėtį „0“.

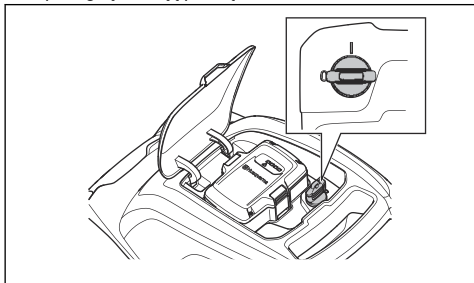
1. Norėdami sustabdyti variklį, atleiskite variklio stabdymo rankeną.



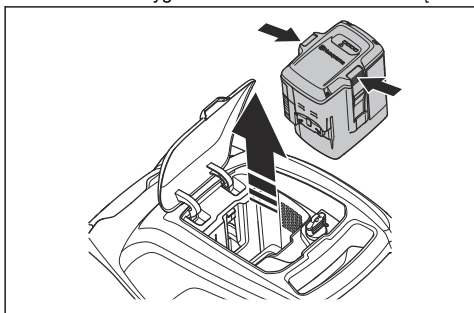
2. Valdymo skydelyje paspauskite ĮJUNGIMO / IŠJUNGIMO mygtuką (A) ir žalias LED indikatorius (B) išsijungs.



- Atidarykite akumulatoriaus gaubtą ir pasukite apsauginį raktelį į padėtį „0“.



- Norėdami išimti akumuliatorių, paspauskite 2 atlaisvinimo mygtukus ir ištraukite akumuliatorių.



- Jei akumulatoriaus įkrova žema, įkraukite jį. Jeigu reikia daugiau informacijos žr. *Akumulatoriaus įkrovimas psl. 408*.

LC 141C naudojimas

Patvirtinto laido (LC 141C) pasirinkimas

Pasižymėkite: JK rinkoje naudokite tik 16M pailginimo laidą, pateikiamą kartu su gaminiu. Kitose rinkose žr. toliau pateiktą informaciją.

Jeigu naudojami pailginimo laidai, jų skersmuo turi būti ne mažesnis už nurodytą toliau pateiktoje lentelėje:

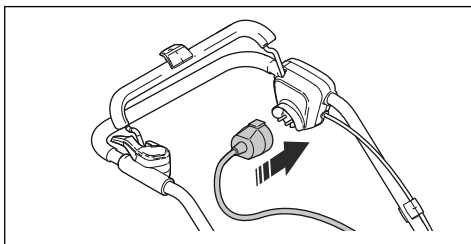
Įtampa	Kabelio ilgis	Skersmuo
220–240 V / 50 Hz	Iki 20 m	1,5 mm ²
220–240 V / 50 Hz	20–50 m	2,5 mm ²

- Maitinimo laidų ir pailginimo laidų galite įsigyti iš vietinio „Husqvarna“ gaminių lauko darbams techninės priežiūros atstovo.
- Naudokite tik specialiai naudoti lauke skirtus pailginimo kabelius, kurie atitinka vieną iš šių specifikacijų: įprastinė guma (60245 IEC 53), įprastinis PVC (60227 IEC 53) arba įprastinis PCP (60245 IEC 57)

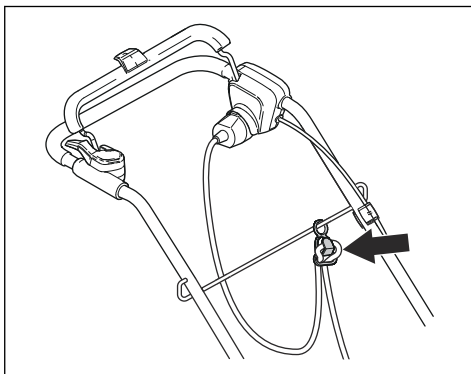
- Jei pažeistas laidas, siekiant išvengti pavojų, jį privalo pakeisti gamintojas, techninės priežiūros atstovas ar atitinkamas kvalifikuotas specialistas.

Gaminio paleidimas

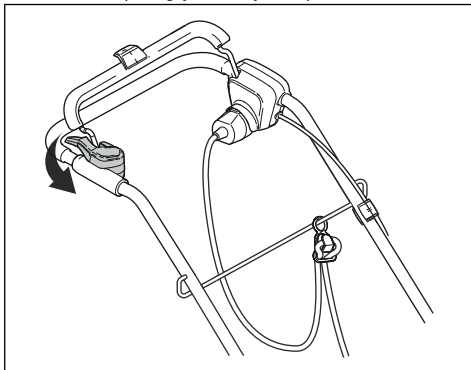
- Prijunkite maitinimo laidą prie lizdo, esančio po rankena.



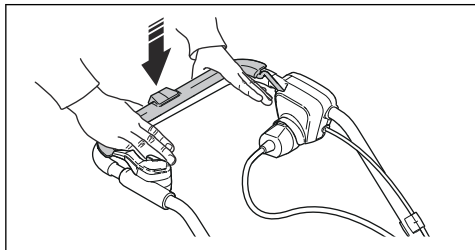
- Įstatykite maitinimo laidą į laido laikiklį. Žr. *Maitinimo laido laikiklio naudojimas (modelis LC 141C) psl. 401*.



- Stovėkite už gaminio.
- Atleiskite apsaugą nuo netyčinio paleidimo.

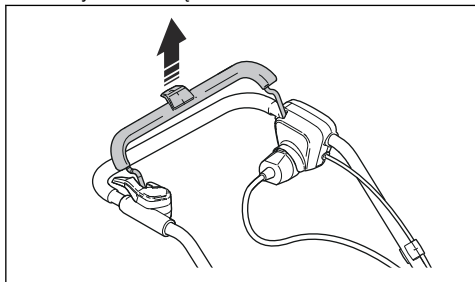


5. Pastumkite variklio stabdymo rankeną link gaminio rankenos.

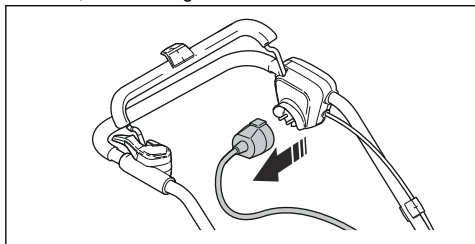


Gaminio sustabdymas

1. Norėdami sustabdyti variklį, atleiskite variklio stabdymo rankeną.



2. Maitinimo laidą pirmiausia atjunkite nuo elektros tinklo, o tada nuo gaminio.



PASTABA: Kištuką traukite tiesiai.
Netraukite už elektros laido.

Gerų rezultatų gavimas

- Visada naudokite pagalastą peilį. Atšipęs peilis netaisyklingai nupjauna ir žolės paviršius pagelsta. Be to, aštrus peilis naudoja mažiau energijos nei atšipęs.
- Nepjaukite daugiau nei 1/3 žolės ilgio. Pirmiausia nupjaukite nustatę didelį aukštį. Patikrinkite rezultatą ir sumažinkite pjovimo aukštį iki tinkamo lygio. Jeigu žolė tikrai aukšta, judėkite lėtai ir, jei reikia, pjaukite 2 kartus.
- Kiekvieną kartą pjaukite skirtingomis kryptimis, kad vejoje nesusidarytų dryžiai.

Techninė priežiūra

Įvadas



PERSPĖJIMAS: Prieš atlikdami priežiūros darbus perskaitykite ir supraskite saugos skyriaus informaciją.

Visiems gaminio techninės priežiūros ir remonto darbams reikia specialių apmokymų. Garantuojame profesionalaus remonto ir techninės priežiūros darbų pasiekiamumą. Jei jūsų pardavėjas nėra techninės

priežiūros atstovas, paprašykite jo informacijos apie artimiausią techninės priežiūros atstovą.

Priežiūros grafikas

Techninės priežiūros intervalai apskaičiuojami pagal kasdienį gaminio naudojimą. Intervalai keičiasi, jei gaminys naudojamas kasdien.

Techninės priežiūros informaciją, pažymėtą *, žr. *Gaminio apsauginės priemonės psl. 400*

LC 141IV, LC 141I ir LC 141C	Kiekvieną kartą naudojant	Kiekvieną mėnesį	Kas sezoną
Atlikti bendrąją apžiūrą.	X		
Nuvalykite įrenginį.	X		
Patikrinti apsaugą nuo netyčinio užvedimo *.	X		
Įsitikinti, kad gaminio saugos įtaisai nepažeisti *.	X		
Patikrinti pjovimo įrangą.	X		
Patikrinti pjovimo įrangos gaubtą *.	X		
Patikrinti variklio stabdymo rankeną *.	X		

Tik LC 141IV ir LC 141I	Kiekvieną kartą naudojant	Kiekvieną mėnesį	Kas sezoną
Įsitikinti, kad tinkamai veikia ir nepažeistas ĮJUNGIMO / IŠJUNGIMO mygtukas.	X		
Patikrinti, ar nepažeistas akumulatorius.	X		
Patikrinti akumulatoriaus įkrovą.	X		
Patikrinti, ar tinkamai veikia akumulatoriaus atlaisvinimo mygtukai ir ar akumulatorius užsifiksuoja gaminyje.	X		
Patikrinti, ar nepažeistas akumulatoriaus įkroviklis, ir įsitikinti, kad jis veikia tinkamai		X	
Patikrinti jungtis tarp akumulatoriaus ir gaminio. Taip pat patikrinti jungtį tarp akumulatoriaus ir akumulatoriaus įkroviklio.			X

Bendroji apžiūra

- Įsitikinkite, kad gaminio veržlės ir varžtai priveržti.
- Įsitikinkite, kad gaminio kabeliai nėra tokioje padėtyje, kurioje jie galėtų būti pažeisti.

Gaminio valymas

- Plastikines dalis valykite švaria ir sausa šluoste.
- Valydami gaminį nenaudokite vandens. Vandeniui pateikus į akumuliatorių arba variklį gali įvykti trumpasis jungimas arba gaminys gali sugesti.
- Gaminio neplaukite aukšto slėgio plovimo aparatu.
- Nepilkite vandens tiesiai ant variklio.
- Lapus, žolę ir purvą nuvalykite šepečiu.

Akumulatoriaus ir akumulatoriaus įkroviklio valymas



PASTABA: Nevalykite akumulatoriaus ar įkroviklio vandeniu.

- Prieš prijungdami akumuliatorių prie įkroviklio, įsitikinkite, kad akumulatorius ir akumulatoriaus įkroviklis yra švarūs ir sausi.
- Nupūskite akumulatoriaus gnybtus suspaustu oru ir nuvalykite švelnia ir sausa šluoste.
- Nuvalykite akumuliatorių ir akumulatoriaus įkroviklį švelnia ir sausa šluoste.

Pjovimo įrangos patikrinimas



PERSPĖJIMAS: Modeliams LC 141IV ir LC 141I: Kad išvengtumėte netyčinio paleidimo, pasukite apsauginį

raktelį į padėtį „0“, išimkite akumuliatorių ir palaukite mažiausiai 5 sekundes.

Modeliui LC 141C: Kad netyčia nepaleistumėte, atjunkite maitinimo laidą.



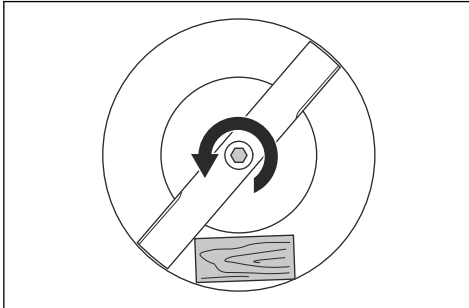
PERSPĖJIMAS: Pjovimo įrangos techninės priežiūros darbus atlikite apsimovę apsaugines pirštines. Peilis labai aštrus ir gali lengvai įpjauti.

1. Patikrinkite, ar pjovimo įranga nepažeista ir neįskilusi. Visada pakeiskite pažeistą pjovimo įrangą.
2. Apžiūrėkite peilį, ar jis nepažeistas ir neatšipęs.

Pasižymėkite: Pagalandus peilį jį reikia subalansuoti. Pagaląstį, pakeisti ir subalansuoti peilį turi techninės priežiūros centro darbuotojai. Jei susidūrėte su kliūtimi, dėl kurios įrenginys sustojo, pakeiskite pažeistą peilį. Leiskite techninės priežiūros centro darbuotojams nuspręsti, ar peilį dar galima galąsti, ar jau reikia keisti.

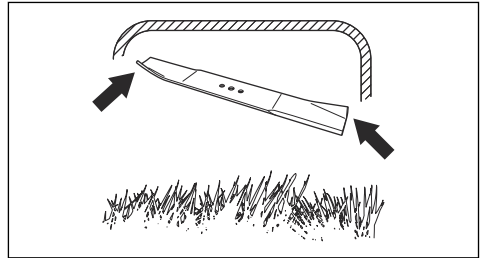
Peilio išėmimas ir pakeitimas

1. Užfiksukite peilį medžio bloku.

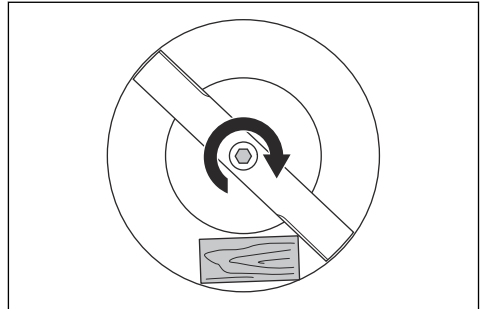


2. Nusukite peilio tvirtinimo varžtą.
3. Nuimkite peilį.
4. Patikrinkite peilio atramą ir peilio tvirtinimo varžtą, ar jie nepažeisti.

5. Patikrinkite variklio veleną, kad įsitikintumėte, ar jis nesulenktas.
6. Įdėję naują peilį nukreipkite jo kampus pjovimo įrangos gaubto kryptimi.



7. Įsitinkite, kad peilis sulygiuotas su variklio veleno centru.
8. Užfiksukite peilį medžio bloku. Uždėkite spyruoklinę poveržlę ir priveržkite varžtą su poveržle 20 Nm jėga.



9. Ranka pasukite peilį ir patikrinkite, ar jis laisvai sukasi.



PERSPĖJIMAS: Apsimaukite pirštines sunkiam darbui. Peilis labai aštrus ir gali lengvai įpjauti.

10. Paleiskite gaminį, kad išbandytumėte peilį. Jei peilis netinkamai uždėtas, gaminys vibruoja arba pjaunama nepakankamai gerai.

Gedimai ir jų šalinimas

Akumulatorius

Akumulatoriaus LED	Priežastis	Sprendimas
Mirksi žalias šviesos diodas.	Akumulatoriaus įtampa žema.	Įkraukite akumuliatorių. Žr. <i>Akumulatoriaus įkrovimas psl. 408.</i>

Akumulatoriaus LED	Priežastis	Sprendimas
Mirksi klaidos šviesos diodas.	Silpna akumulatoriaus įkrova.	Įkraukite akumuliatorių. Žr. <i>Akumulatoriaus įkrovimas psl. 408.</i>
	Temperatūra darbo aplinkoje per aukšta arba per žema.	Akumuliatorių naudokite nuo -10 °C iki 40 °C temperatūroje.
	Viršįtampis.	Įsitikinkite, kad maitinimo tinklo įtampa atitinka gaminio duomenų lentelėje nurodytą įtampą. Iš įkroviklio išimkite akumuliatorių. Palaukite 5 sekundes ir vėl pabandykite įkrauti akumuliatorių. Jei problema išlieka, pasikonsultuokite su patvirtintu techninės priežiūros atstovu.
Šviečia klaidos šviesos diodas.	Elementų skirtumas per didelis (1 V).	Kreipkitės į patvirtintą techninės priežiūros atstovą.

Akumulatoriaus įkroviklis

Akumulatoriaus įkroviklio LED	Priežastis	Sprendimas
Mirksi klaidos šviesos diodas.	Temperatūra darbo aplinkoje per aukšta arba per žema.	Akumulatoriaus įkroviklį naudokite nuo 5 °C iki 40 °C temperatūroje.
Šviečia klaidos šviesos diodas.		Kreipkitės į patvirtintą techninės priežiūros atstovą.

Valdymo skydelis

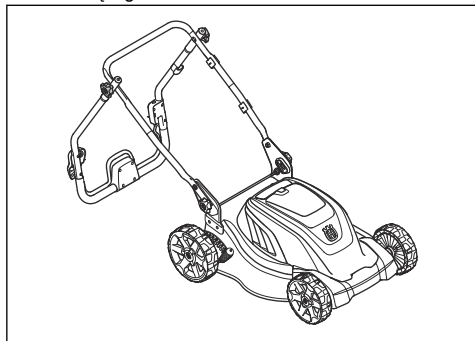
Jei susiduriate su problemomis, kurios nenurodytos šioje dalyje, kreipkitės į techninės priežiūros atstovą.

Klaviatūra	Galimi gedimai	Galimi veiksmai
Mirksi klaidos diodas	Variklis perkrautas	Padidinkite įjovimo aukštį. Žr. <i>Įjovimo aukščio nustatymas psl. 407</i>
	Variklio greitis per daug sumažėja ir variklis sustoja	
	Per daug įkaitęs variklio valdiklis	Išjunkite variklį ir palaukite, kol jis atvės
	Užblokuotas peilis	Kad išvengtumėte netyčinio paleidimo, pasukite apsauginį raktelį į padėtį „0“, išimkite akumuliatorių ir palaukite mažiausiai 5 sekundes. Įsitikinkite, kad peilis gali laisvai sukstis. Jeigu problema kartojasi, kreipkitės į įgaliotąjį techninės priežiūros atstovą.
	Akumulatoriaus klaida arba nėra akumulatoriaus signalo	Tinkamai įstatykite akumuliatorių į gaminį ir patikrinkite akumulatoriaus jungtį. Jei klaidos LED indikatorius akumuliatoriuje mirksi, žr. <i>Akumulatorius psl. 413.</i>
Gaminys sustoja	Silpna akumulatoriaus įkrova	Įkraukite akumuliatorių. Žr. <i>Akumulatoriaus įkrovimas psl. 408</i>
	Akumulatoriaus jungties gedimas	Patikrinkite akumuliatorius jungtį

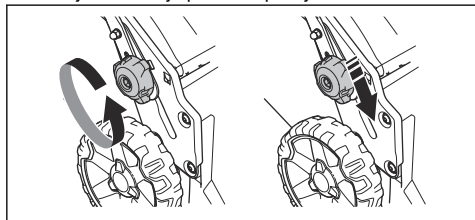
Transportavimas, saugojimas ir utilizavimas

Gaminio paruošimas transportuoti

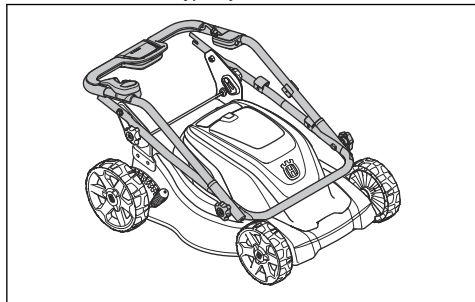
1. Nuimkite žolės rinktuvą (jei sumontuotas).
2. Atsukite rankenėles rankenos viršuje ir nulenkite rankeną atgal.



3. Atsukite apatines rankenėles.
4. Stumkite rankenėles iki apatinio griovelio krašto kairėje ir dešinėje produkto pusėje.



5. Nulenkite rankeną pirmyn.



Transportavimas

- Įdėtiems ličio jonų akumulatoriams taikomos pavojaingų krovinių gabenimo taisyklės.
- Jeigu krovinyv gabenamas komerciniu transportu, būtina laikytis specialių reikalavimų dėl pakavimo ir žymėjimo.

- Ruošdamiesi gaminį transportuoti, užtikrinkite, kad būtų laikomasi pavojaingų medžiagų tvarkymo taisyklių. Gali būti taikomi vietos teisės aktai.
- Transportavimo metu visuomet išimkite akumuliatorių.
- Ant akumulatoriaus jungčių užklijuokite izoliacinę juostą ir įsitinkite, kad transportuojant akumulatorius nejudės.
- Transportuodami gaminį, jį pritvirtinkite.

Saugojimas

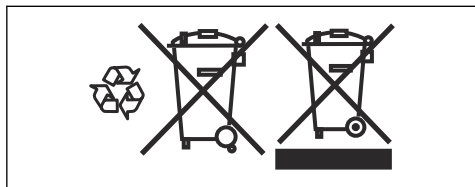
- Saugojimo metu visuomet išimkite akumuliatorių.
- Kad išvengtumėte nelaimingų atsitikimų, įsitinkite, jog akumulatorius saugojimo metu nėra prijungtas prie gaminio.
- Akumulatoriaus įkroviklį laikykite uždaroje ir sausoje aplinkoje.
- Akumuliatorių ir akumulatoriaus įkroviklį laikykite sausoje ir šiltoje vietoje.
- Saugodami atjunkite akumuliatorių nuo akumulatoriaus įkroviklio.
- Nelaikykite akumulatoriaus tokioje vietoje, kur gali susidaryti statinis krūvis. Nelaikykite akumulatoriaus metalinėje dėžutėje.
- Akumuliatorių laikykite aplinkoje, kurios temperatūra yra nuo 5 °C iki 25 °C ir kurios nepasiekia tiesioginiai saulės spinduliai.
- Akumulatoriaus įkroviklį laikykite aplinkoje, kurios temperatūra yra nuo 5 °C iki 45 °C ir kurios nepasiekia tiesioginiai saulės spinduliai.
- Prieš saugodami ilgesnį laiką pasirūpinkite, kad akumulatoriaus būtų įkrautas 30–50 %.
- Gaminį, akumuliatorių ir akumulatoriaus įkroviklį laikykite rakinamoje patalpoje, kur jų negalėtų pasiekti vaikai ir pašaliniai asmenys.
- Prieš saugodami gaminį ilgesnį laiką, išvalykite jį ir atlikite visus techninės priežiūros darbus.

Utilizavimas

Ant gaminio ar ant jo pakuotės pateikti simboliai rodo, kad šio gaminio negalima išmesti kartu su buitinėmis atliekomis. Įrenginį reikia atiduoti į atitinkamą perdirbimo įmonę, kuri utilizuotų elektrines ir elektronines dalis.

Rūpindamiesi, kad šis gaminys būtų tvarkomas teisingai, padedate išvengti galimo neigiamo poveikio aplinkai ir žmonėms, kurį gali sukelti netinkamas šio gaminio atliekų tvarkymas. Jei reikia daugiau informacijos apie šio gaminio perdirbimą, kreipkitės į savivaldybę, buitinių

atliekų tvarkymo tarnybą arba parduotuvę, kurioje įsigijote gaminį.



Techniniai duomenys

Techniniai duomenys LC 141iV, LC 141i

	LC 141iV	LC 141i
Cutting motor (Pėlių variklis)		
Variklio tipas	BLDC (be šepetėlių) 36 V	BLDC (be šepetėlių) 36 V
Variklio greitis – „SavE“, rpm	2700	2700
Variklio greitis – nominalus, rpm	3100	3100
Variklio greitis – didelė aprova, rpm	3 700	3 700
Variklio galingumas – maks., kW	0,8	0,8
Variklio galingumas – nominalus, kW	0,55	0,55
Pavaros variklis		
Variklio galingumas – nominalus, kW	0,25	Netaikoma
Savaeigis greitis, km/h	3,0–4,5	Netaikoma
Greičio lygiai	4	Netaikoma
Svoris		
Svoris be akumuliatoriaus, kg	21,5	18,6
Akumulatoriniai ⁹⁹		
Akumuliatoriaus tipas	„Husqvarna“ akumuliatorių serija	„Husqvarna“ akumuliatorių serija
Akumuliatoriaus veikimo laikas		
Akumuliatoriaus veikimo laikas, min, (laisva eiga) įjungus „SavE“ funkciją, su vienu „Husqvarna“ 5,2 Ah akumuliatoriumi („BLi200“).	77	77
Akumuliatoriaus veikimo laikas, min, (laisva eiga) standartiniu režimu, su vienu „Husqvarna“ 5,2 Ah akumuliatoriumi (BLi200).	45	45
Skleidžiamas triukšmas ¹⁰⁰		
Garso galios lygis, išmatuotas dB (A)	88	88

⁹⁹ Siekiantiems geriausių rezultatų ir našumo rekomenduojame „Husqvarna“ akumuliatorių BLi200.

¹⁰⁰ Triukšmas, skleidžiamas į aplinką, išmatuotas kaip garso galia (L_{WA}) pagal EB direktyvą 2000/14/EB.

	LC 141IV	LC 141i
Garso galios lygis, garantuojamas L _{WA} dB (A)	89	89
Garso lygiai ¹⁰¹		
Operatoriaus ausį veikiantis garso slėgis, dB (A)	83	83
Vibracijos lygis ¹⁰²		
Rankena, m/s ²	2,0	2,0
Pjovimas		
Pjovimo aukštis, mm	25–70	25–70
Pjovimo plotis, cm	41	41
Peilis, gaminio numeris	Rinkimas – 5011716-01	Rinkimas – 5011716-01
Rinktuvo talpa, litrai	50	50

Patvirtinti akumulatoriai	Gamintojas	Tipas	Akumuliatoriaus talpa, Ah	Įtampa, V	Svoris, svar. / kg
BLi10	Husqvarna	Ličio jonų	2,0	36	1,8 / 0,8
BLi100	Husqvarna	Ličio jonų	2,6	36	1,9 / 0,8
BLi20	Husqvarna	Ličio jonų	4,0	36	2,7 / 1,2
BLi200	Husqvarna	Ličio jonų	5,2	36	2,8 / 1,3
BLi300	Husqvarna	Ličio jonų	9,4	36	4,1 / 1,9

Patvirtinti įkrovikliai nurodytiems akumulatoriams,	Gamintojas	Įvado įtampa, V	Dažnis, Hz	Galia, W
QC80	Husqvarna	100–240	50–60	80
QC80F	Husqvarna	12	0	80
QC250	Husqvarna	220–240	50	250
QC330	Husqvarna	100–240	50–60	330
QC500	Husqvarna	100–240	50–60	500

Techniniai duomenys LC 141C

	LC 141C
Variklis	
Variklio tipas	AC serijos variklis
Variklio greitis – nominalus, rpm	3 200

¹⁰¹ Pateikiamų triukšmo slėgio duomenų būdingoji statistinė sklaida (standartinis nuokrypis) lygi 1,2 dB (A).

¹⁰² Pateiktuose vibracijos lygio duomenyse yra 0,2 m/s² tipiška statistinė sklaida (standartinis nuokrypis).

	LC 141C
Galia	1800 W
Maitinimo šaltinis	Laidinis elektrinis
Maitinimo laidas (pateikiamas kartu tik JK rinkoje)	
Laido tipas	16M pailginimo laidas
Svoris, kg	1,6
Svoris	
Svoris, kg	20,4
Skleidžiamas triukšmas ¹⁰³	
Garso stiprumo lygis, išmatuotas dB (A)	93
Garso galios lygis, garantuojamas L _{WA} dB (A)	95
Garso lygiai ¹⁰⁴	
Operatoriaus ausį veikiantis garso slėgis, dB (A)	85
Vibracijos lygis ¹⁰⁵	
Rankena, m/s ²	2,0
Pjovimas	
Pjovimo aukštis, mm	25–70
Pjovimo plotis, cm	41
Peilis, gaminio numeris	Rinkimas 5011716-01
Rinktuvo talpa, litrai	50

¹⁰³ Triukšmas, skleidžiamas į aplinką, išmatuotas kaip garso galia (L_{WA}) pagal EB direktyvą 2000/14/EB.

¹⁰⁴ Pateikiamų triukšmo slėgio duomenų būdingoji statistinė sklaida (standartinis nuokrypis) lygi 1,4 dB (A).

¹⁰⁵ Pateiktuose vibracijos lygio duomenyse yra 0,2 m/s² tipiška statistinė sklaida (standartinis nuokrypis).

EB atitikties deklaracija

EB atitikties deklaracija

„Husqvarna AB“, SE-561 82 Huskvarna, Švedija, tel. +46-36-146500, patvirtina, kad **vejapjovės Husqvarna LC 141iV ir LC 141i**, kurių serijos numeris yra nuo 2018XXXXXXX ir **Husqvarna LC 141C** nuo 2015XXXXXXX, atitinka TARYBOS DIREKTYVOS reikalavimus:

- 2011 m. birželio 8 d. direktyvos **2011/65/ES** dėl tam tikrų pavojingų medžiagų naudojimo;
- 2006 m. gegužės 17 d. įrengimų direktyvos **2006/42/EB**;
- 2014 m. vasario 26 d. direktyvos **2014/30/ES** dėl elektromagnetinio suderinamumo;
- 2000 m. gegužės 8 d. direktyvos **2000/14/EB** dėl į aplinką skleidžiamo triukšmo.

Daugiau informacijos apie triukšmo emisiją žr. skyriuje „Techniniai duomenys“.

Sertifikuojant Husqvarna LC 141iV ir LC 141i taikyti šie standartai: **IEC 60335-2-77:2002, IEC 60335-1:2010+A1:2013, EN 55014-1:2017, EN 55014-2:2015, EN 61000-3-2:2014, EN 61000-3-3:2013, EN 62233:2008**

Sertifikuojant Husqvarna LC 141C taikyti šie standartai: **EN 60335-1:2012+A11:2014, EN 60335-2-77:2010, EN 62233:2008, EN 55014-1:2017+A11, EN 55014-2:2015, EN 61000-3-2:2019, EN 61000-3-11:2019**

Notifikuotoji įstaiga: **0404, RISE SMP Svensk Maskinprovning AB, Box 7035, SE-750 07 Uppsala** atliko atitikties vertinimą pagal Direktyvos 2000/14/EB VI priedą.

Huskvarna, 2020-10-13



Claes Losdal, plėtros vadovas / sodo produktai
(įgaliotasis „Husqvarna AB“ atstovas, atsakingas už
techninę dokumentaciją.)

Saturs

Ievads.....	420	Problēmu novēršana.....	441
Drošība.....	423	Pārvadāšana, glabāšana un utilizēšana.....	442
Montāža.....	432	Tehniskie dati.....	443
Lietošana.....	434	EK atbilstības deklarācija.....	447
Apkope.....	438		

Ievads

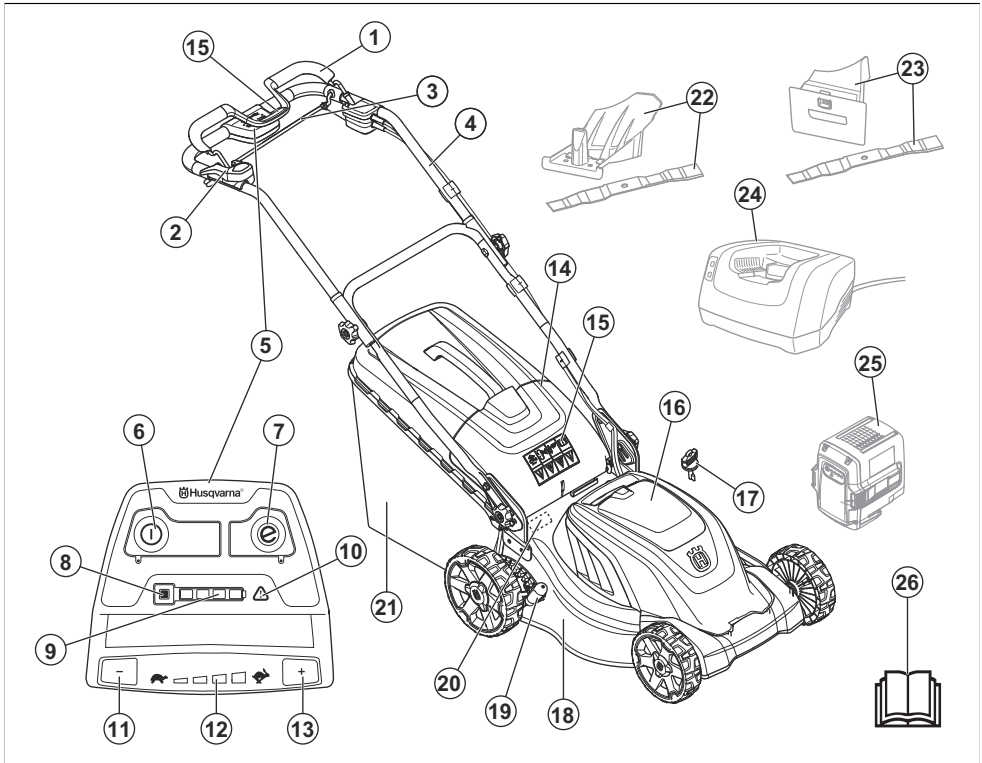
Izstrādājuma apraksts

Izstrādājums ir gājējam vadāmais rotējošais zāles plāvējs. Zāle tiek savākta zāles savācējā. Lai piekļūtu zāles aizmugurējam izmetējam, noņemiet zāles savācēju. Lai sagrieztu zāli mēslojumam, piestipriniet mulčēšanas komplektu (papildpiederumu).

Paredzētā lietošana

Izmantojiet izstrādājumu, lai apgrieztu zāli. Nelietojiet izstrādājumu citiem uzdevumiem.

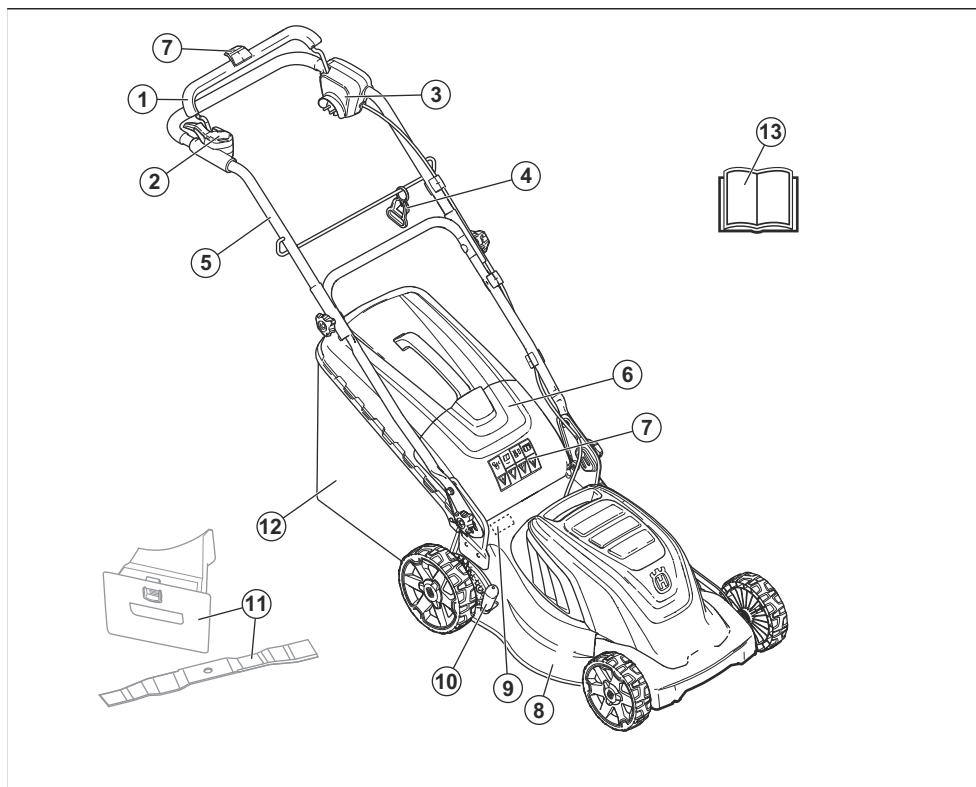
Izstrādājuma pārskats LC 141IV/LC 141i



1. Motora bremsžu rokturis
2. Iedarbināšanas ierobežotājs
3. Piedziņas rokturis (LC 141IV)
4. Rokturis
5. Vadības pults
6. IESLĒGŠANAS/IZSLĒGŠANAS slēdzis
7. SavĒ poga
8. Akumulatora indikatora poga
9. [Nepasvaidīts komponents]
10. [Nepasvaidīts komponents]
11. [Nepasvaidīts komponents]
12. [Nepasvaidīts komponents]
13. [Nepasvaidīts komponents]
14. [Nepasvaidīts komponents]
15. [Nepasvaidīts komponents]
16. [Nepasvaidīts komponents]
17. [Nepasvaidīts komponents]
18. [Nepasvaidīts komponents]
19. [Nepasvaidīts komponents]
20. [Nepasvaidīts komponents]
21. [Nepasvaidīts komponents]
22. [Nepasvaidīts komponents]
23. [Nepasvaidīts komponents]
24. [Nepasvaidīts komponents]
25. [Nepasvaidīts komponents]
26. [Nepasvaidīts komponents]

- | | |
|---|---|
| 9. Akumulatoru uzlādes indikators | 19. Griešanas augstuma svira |
| 10. Brīdinājuma indikators (KĻŪDU LED) | 20. Datu plāksnīte |
| 11. Ātruma samazināšanas poga (LC 141iV) | 21. Zāles savācējs |
| 12. Ātruma līmeņa indikators (LC 141iV) | 22. Mulčēšanas komplekts (piederums modelim LC 141iV) |
| 13. Ātruma palielināšanas poga (LC 141iV) | 23. Mulčēšanas komplekts (piederums modelim LC 141i) |
| 14. Aizmugurējais aizsegs | 24. Akumulatora lādētājs (piederums) |
| 15. Simboli | 25. Akumulators (piederums) |
| 16. Akumulatora pārsegs | 26. Lietotāja rokasgrāmata |
| 17. Drošības atslēga | |
| 18. Griezēja pārsegs | |

Pārskats par izstrādājumu LC 141C



- | | |
|--------------------------------|-----------------------------------|
| 1. Motora bremžu rokturis | 11. Mulčēšanas ierīce (piederums) |
| 2. Iedarbināšanas ierobežotājs | 12. Zāles savācējs |
| 3. Strāvas vada kontaktligzda | 13. Lietotāja rokasgrāmata |
| 4. Strāvas vada turētājs | |
| 5. Rokturis | |
| 6. Aizmugurējais aizsegs | |
| 7. Simboli | |
| 8. Griezēja pārsegs | |
| 9. Datu plāksnīte | |
| 10. Griešanas augstuma svira | |

Simboli uz izstrādājuma



Tas var izraisīt traumas vai nāvi operatoram vai blakus stāvošām

personām, ja izstrādājums netiek lietots uzmanīgi un pareizi.



Uzmanīgi izlasiet šo lietotāja rokasgrāmatu un pirms iekārtas lietošanas pārlicinieties, vai izprotat norādījumus.



Nodrošiniet, lai darba zonā neatrastos cilvēki un dzīvnieki.



Uzmanieties no mestiem un rikošetā atlecošiem priekšmetiem.



Brīdinājums! Turiet rokas un kājas drošā attālumā no rotējošiem asmeņiem.



Brīdinājums! Turiet rokas un kājas drošā attālumā no rotējošajām daļām.



Pirms veicat izstrādājuma apkopi, izņemiet drošības atslēgu. (modelis LC 141iV/LC 141i).



Pirms izstrādājuma apkopes veikšanas atvienojiet to no

elektrības kontaktligzdas. (modelis LC 141C).

IPX1 IPX1 — izstrādājumam ir aizsardzība pret pilošu ūdeni (modelis LC 141iV/LC 141i)

IPX4 IPX4 — izstrādājumam ir aizsardzība pret ūdens šļakatām (modelis / LC 141C)



Nepieļaujiet, ka uz izstrādājuma līst lietus (modelis LC 141iV/ LC 141i)



Brīdinājums! Nebrauciet ar izstrādājumu pāri elektrības vadam, jo tādējādi var gūt elektriskās strāvas triecienu vai sabojāt izstrādājumu. (modelis LC 141C).



Šis izstrādājums atbilst spēkā esošajām EK direktīvām.



Troksņa emisijas līmenis atbilst Eiropas Kopienas direktīvai. Produkta emisiju līmenis ir norādīts sadaļā

“Tehniskie dati” un uz
uzlīmes.

 Līdzstrāva 36 V

 Dubultā izolācija.



Utilizējiet šo izstrādājumu elektrisko un elektronisko ierīču pārstrādes vietā. (Attiecas vienīgi uz Eiropu)



ledarbināšanas procedūra modelim

LC 141iV/

LC 141i: nospiediet pogu ON/OFF (ieslēgt/izslēgt), atbrīvojiet iedarbināšanas ierobežotāju, nospiediet uz leju motora bremžu rokturi.



ledarbināšanas procedūra modelim LC 141C: atbrīvojiet iedarbināšanas ierobežotāju, nospiediet uz leju motora bremžu rokturi.



Atlaidiet motora bremžu rokturi, lai apturētu.



Lēni



Ātri



Skenējams kods

Piezīme: Pārējie uz izstrādājuma norādītie simboli/norādes atbilst dažu valstu sertifikācijas prasībām.

Atbildība par izstrādājuma kvalitāti

Saskaņā ar likumiem par izstrādājuma kvalitāti mēs neuzņemamies atbildību par bojājumiem, ko radījis mūsu izstrādājums, ja:

- ir veikts nepareizs izstrādājuma remonts;
- izstrādājuma remonts ir veikts, izmantojot detaļas, ko nav nodrošinājis vai apstiprinājis ražotājs;
- izstrādājumam tiek pievienots piederums, ko nav nodrošinājis vai apstiprinājis ražotājs;
- izstrādājuma remonts nav veikts pilnvarotā remontdarbnīcā vai pie pilnvarota speciālista.

Drošība

Drošības definīcijas

Brīdinājumi, norādes “Uzmanību!” un piezīmes tiek izmantotas, lai izceltu īpaši svarīgas lietotāja rokasgrāmatas daļas.



BRĪDINĀJUMS: Tiek izmantota tad, ja rokasgrāmatā sniegto instrukciju neievērošanas dēļ operatoram vai blakus esošajām personām draud traumu vai nāves risks.



IEVĒROJIET: Tiek izmantota tad, ja rokasgrāmatā sniegto instrukciju neievērošanas dēļ rodas izstrādājuma, citu materiālu vai blakus esošās teritorijas bojājuma risks.

Piezīme: Tiek izmantota, lai sniegtu plašāku informāciju, kas nepieciešama attiecīgajā situācijā.

Vispārīgi norādījumi par drošību



BRĪDINĀJUMS: Pirms sākat lietot izstrādājumu, izlasiet tālāk izklāstītās brīdinājuma instrukcijas.

- Šis izstrādājums ir bīstams, ja to lieto nepareizi vai ja nerīkojaties piesardzīgi. Drošības instrukciju neievērošana var izraisīt traumas vai nāvi.
- Šis izstrādājums darbības laikā rada elektromagnētisko lauku. Noteiktos apstākļos šis lauks var traucēt aktīvā vai pasīvā medicīniskā implantāta darbību. Lai samazinātu nopietnas traumas gūšanas vai dzīvības zaudēšanas risku, mēs iesakām personām, kam ir medicīniskie implantāti, pirms šī izstrādājuma lietošanas konsultēties ar savu ārstu un medicīniskā implantāta ražotāju.
- Vienmēr rīkojieties piesardzīgi un saprātīgi. Ja neesat drošs par to, kā izmantot šo izstrādājumu konkrētā situācijā, pārtrauciet darbu un sazinieties ar savu Husqvarna izplatītāju, pirms turpināt.
- Paturiet prātā, ka operators ir atbildīgs par negadījumiem, kuros iesaistītas citas personas.
- Gādājiet, lai izstrādājums ir tīrs. Pārlicinieties, ka varat skaidri izlasīt zīmes un uzlīmes.
- Nekādā gadījumā neļaujiet lietot ierīci bērniem vai cilvēkiem, kas nepazīna instrukcijas. Lietotāja vecums var būt norādīts vietējos noteikumos.
- Ja izstrādājumu izmanto persona ar samazinātām fiziskajām vai garīgajām spējām, vienmēr uzraugiet šo personu. Tuvumā vienmēr jābūt pieaugušajam.
- Neizmantojiet šo izstrādājumu, ja esat noguris, slims vai esat alkohola, narkotiku vai medikamentu izraisītā reibumā. Šāds stāvoklis negatīvi ietekmē jūsu redzi, modrību, koordināciju un spriestspēju.
- Neizmantojiet izstrādājumu, ja tas ir bojāts.
- Neveiciet izmaiņas šajā izstrādājumā un neizmantojiet

to, ja ir iespējams, ka citas personas tajā ir veikušas izmaiņas.

Darba zonas drošība



BRĪDINĀJUMS: Pirms sākat lietot šo izstrādājumu, izlasiet zemāk izklāstītos brīdinājumus.

- Pirms izmantojat izstrādājumu, noņemiet no darba zonas priekšmetus, piemēram, zarus, žaģarus un akmeņus.
- Priekšmeti, kas saskaras ar griešanas ierīci, var atlēkt un nodarīt kaitējumu personām vai citiem priekšmetiem. Gādājiet, lai citi cilvēki un dzīvnieki atrastos drošā attālumā no izstrādājuma.
- Nekad neizmantojiet izstrādājumu sliktos laika apstākļos, piemēram, miglā, lietū, stiprā vējā, lielā aukstumā un pērkona negaisa laikā. Izstrādājuma izmantošana sliktos laika apstākļos vai mitrā vai slapjā vietā ir nogurdinoša. Slikti laikapstākļi var izraisīt bīstamas situācijas, piemēram, padarot virsmas slidenas.
- Pārliecinieties, vai nav personu, priekšmetu un

situāciju, kas var kavēt izstrādājuma drošu darbību.

- Skatieties, vai nav šķēršļu, piemēram, sakņu, akmeņu, zaru, bedru un grāvju. Garā zālē var atrasties dažādi šķēršļi.
- Pļaušana uz nogāzēm var būt bīstama. Nepļaujiet ļoti stāvās nogāzēs. Neizmantojiet izstrādājumu uz virsmas, kuras slīpums pārsniedz 15°
- Mainot braukšanas virzienu nogāzē, esiet īpaši piesardzīgs. Uz nogāzēm ar izstrādājumu strādājiet, virzoties šķērsām tām. Nepārvietojieties augšup un lejup.
- Esiet uzmanīgi, kad tuvojaties stūriem, aiz kuriem nekas nav redzams, un priekšmetiem, kas aizsedz redzamību.

Darba drošība



BRĪDINĀJUMS: Pirms sākat lietot izstrādājumu, izlasiet tālāk izklāstītās brīdinājuma instrukcijas.

- Izmantojiet šo izstrādājumu tikai zālienu pļaušanai. Izstrādājumu nav atļauts izmantot citu darbu veikšanai.
- Lietojiet individuālos aizsardzības līdzekļus. Skatiet

šeit: *Individuālie aizsarglīdzekļi lpp. 427.*

- Pārliedzinieties, vai zināt, kā ārkārtas situācijā ātri apturēt dzinēju.
- Nedarbiniet izstrādājumu lietus laikā un nepakļaujiet to lietus vai mitruma iedarbībai. Ja produktā iekļūst ūdens, palielinās elektriskās strāvas trieciena risks.
- Nedarbiniet izstrādājumu, ja asmens un visi pārsegi nav piestiprināti pareizi. Nepareizi piestiprināts asmens var kļūt vaļīgs un izraisīt traumas personai.
- Pārliedzinieties, ka asmens neatsitas pret priekšmetiem, piemēram, akmeņiem un saknēm. Tas var sabojāt asmeni un saliekt dzinēja vārpstu. Saliekts asmens izraisa stipru vibrāciju un rada ļoti lielu risku, ka asmens kļūst vaļīgs.
- Ja asmens saskaras ar priekšmetu vai rodas spēcīgas vibrācijas, nekavējoties izslēdziet izstrādājumu. Izslēdziet motoru, pagrieziet drošības atslēgu pozīcijā "0" un izņemiet akumulatoru (modelis LC 141iV un LC 141i) vai atvienojiet strāvas vadu (modelis LC 141C). Pārbaudiet, vai izstrādājumam nav bojājumu. Novērsiet bojājumus vai uzticiet šo darbu pilnvarotajam apkopes pārstāvim.
- Nekādā gadījumā nepiestipriniet motora bremžu rokturi rokturim, kad motors ir iedarbināts.
- Novietojiet izstrādājumu uz stabilas, līdzenas virsmas un iedarbiniet to. Pārliedzinieties, vai asmens nepieskaras zemei vai citiem priekšmetiem.
- Darbinot izstrādājumu, vienmēr stāviet aiz tā.
- Darbinot izstrādājumu, raugiet, lai visi četri riteņi atrodas uz zemes un turiet rokturi ar abām rokām. Turiet rokas un kājas drošā attālumā no rotējošiem asmeņiem.
- Nekad nenolieciet izstrādājumu dzinēja darbības laikā.
- Esiet piesardzīgi, velkot izstrādājumu atpakaļ.
- Nekādā gadījumā neceliet izstrādājumu uz augšu motora darbības laikā. Ja izstrādājums ir jāpaceļ, vispirms izslēdziet motoru, pagrieziet drošības atslēgu pozīcijā "0" un izņemiet akumulatoru (modelis LC 141iV un LC 141i) vai

atvienojiet strāvas vadu (modelis LC 141C).

- Neejiet atmuguriski izstrādājuma lietošanas laikā.
- Izslēdziet motoru, kad pārvietojaties pa teritorijām, ko neklāj zāle, piemēram, pa grants, akmens vai asfalta celiņiem.
- Nekādā gadījumā neskrīniet ar izstrādājumu motora darbības laikā. Darbinot izstrādājumu, vienmēr ejiet.
- Apturiet dzinēju, pirms maināt griešanas augstumu. Nekādā gadījumā nemēģiniet veikt regulēšanas darbus dzinēja darbības laikā.
- Nekad neatstājiet izstrādājumu bez uzraudzības dzinēja darbības laikā. Izslēdziet dzinēju un pārlicinieties, vai griešanas aprīkojums nerotē.

Norādījumi par drošu darbu

Individuālie aizsarglīdzekļi



BRĪDINĀJUMS: Pirms sākat lietot izstrādājumu, izlasiet tālāk izklāstītās brīdinājuma instrukcijas.

- Šādi līdzekļi nevar pilnībā novērst traumu gūšanas risku, taču samazina traumu smaguma pakāpi, ja

negadījums tomēr notiek.

Ļaujiet izplatītājam palīdzēt jums izvēlēties pareizo aprīkojumu.

- Velciet izturīgus zābakus vai kurpes, kas neslīd. Nevelciet vaļējas kurpes un neejiet ar basām kājām.
- Velciet izturīgas garās bikses.
- Vajadzības gadījumā izmantojiet aizsargcimdus, piemēram, piestiprinot, pārbaudot vai tīrot griešanas aprīkojumu.

Izstrādājuma drošības ierīces



BRĪDINĀJUMS: Pirms sākat lietot izstrādājumu, izlasiet tālāk izklāstītās brīdinājuma instrukcijas.

- Nelietojiet izstrādājumu ar bojātām drošības ierīcēm.
- Regulāri pārbaudiet drošības ierīces. Ja drošības ierīces ir bojātas, sazinieties ar savu Husqvarna servisa pārstāvi.

Griezēja pārsega pārbaude

Griezēja pārsegs samazina izstrādājuma vibrācijas un asmens radītu ievainojumu gūšanas risku.

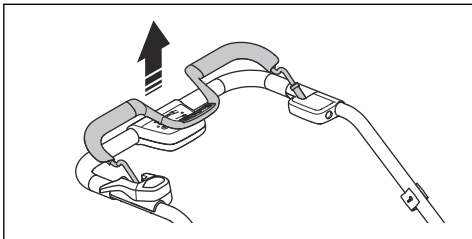
- Pārbaudiet griezēja pārsegu, lai pārlicinātos, vai nav bojājumu, piemēram, plaisu.

Motora bremžu rokturis

Dzinēja bremžu rokturis aptur dzinēju. Atlaižot dzinēja bremžu rokturi, dzinējs apstājas.

Lai pārbaudītu dzinēja bremzes, iedarbiniet dzinēju un pēc tam atlaižiet dzinēja bremžu rokturi. Ja dzinējs

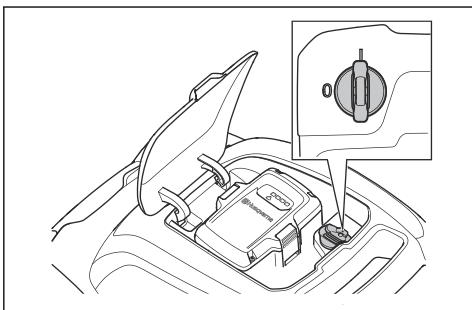
neapstājas 3 sekundēs, lieciet pilnvarotā Husqvarna apkopes pārstāvim noregulēt dzinēja bremses.



Drošības atslēga (modelis LC 141IV un LC 141I)

Drošības atslēga ir zem akumulatora pārsega. Drošības atslēga savieno akumulatoru, kas dzinējam nodrošina jaudu.

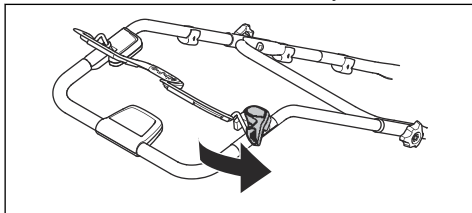
- Lai pārbaudītu drošības atslēgu, iedarbiniet un izslēdziet motoru.
- Ja drošības atslēga darbojas pareizi, motors tiek iedarbināts tikai, kad atslēga tiek pagriezta pozīcijā "1".



Iedarbināšanas ierobežotāja pārbaude

Pārbaudiet iedarbināšanas ierobežotāju, lai pārliecinātos, ka tas novērš dzinēja darbību.

1. Pabīdīet bremžu rokturi stūres virzienā. Iedarbināšanas ierobežotājs aptur kustību.
2. Izstumiet iedarbināšanas ierobežotāju.

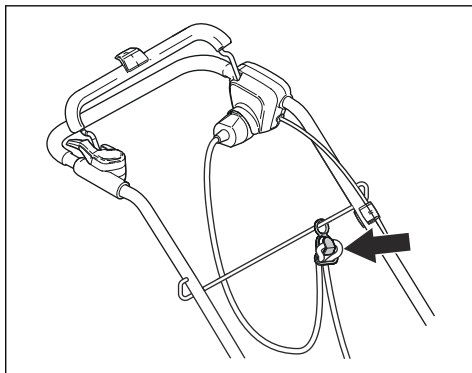


3. Atlaidiet iedarbināšanas ierobežotāju un pārliecinieties, ka tas atgriežas sākotnējā pozīcijā.

Strāvas vada turētāja lietošana (modelis LC 141C)

Strāvas vada turētājs samazina kontaktligzdas un strāvas vada nopriegojumu. Strāvas vada turētājs arī samazina pakrišanas risku.

1. Salokiet strāvas vadu, lai izveidotu nelielu cilpu.
2. Ievietojiet cilpu strāvas vada turētāja atverē.
3. Aplieciet cilpu ap āķi.
4. Pavelciet strāvas vadu, lai cilpu ap āķi savilkto ciešāk.



Akumulatora drošības norādes



BRĪDINĀJUMS: Pirms sākat lietot izstrādājumu, izlasiet tālāk izklāstītās brīdinājuma instrukcijas.

- Izmantojiet Husqvarna atkārtoti uzlādējamus akumulatorus kā strāvas avotu tikai saistītiem Husqvarna produktiem. Lai nepieļautu traumu gūšanas risku, akumulatoru nedrīkst izmantot kā citu izstrādājumu strāvas avotu.
- Nelietojiet vienreiz lietojamus akumulatorus.
- Elektriskās strāvas trieciena risks. Nesavienojiet

akumulatora spaiļes ar atslēgām, monētām, skrūvēm vai citiem metāla priekšmetiem. Tas var izraisīt akumulatora īssavienojumu.

- Neievietojiet nekādus priekšmetus akumulatora gaisa atverēs.
- Neglabājiet akumulatoru vietās, ka ir pakļautas tiešai saulesgaismai, karstumam vai atklātām liesmām. Akumulators var eksplodēt un radīt apdegumus un/vai ķīmiskos apdegumus.
- Akumulatoru nedrīkst pakļaut lietus un mitruma ietekmei.
- Akumulatoru nedrīkst pakļaut mikroviļņu un augsta spiediena ietekmei.
- Akumulatoru nedrīkst izjaukt vai saspiest.
- Ja rodas akumulatora noplūde, neļaujiet šķidrumam nonākt saskarē ar ķermeni vai acīm. Ja pieskaraties šķidrumam, nomazgājiet skarto vietu ar lielu daudzumu ūdens un meklējiet medicīnisko palīdzību.
- Akumulatoru drīkst temperatūrā no -10 °C līdz 40 °C.
- Nefīriert akumulatoru un tā lādētāju ar ūdeni. Skatiet šeit:

Akumulatora un akumulatora lādētāja tīrīšana lpp. 439.

- Nelietojiet defektīvu vai bojātu akumulatoru.
- Uzglabājiet akumulatorus vietā, kur tuvumā nav metāla priekšmetu, piemēram, naglu, monētu, rotaslietu.

Akumulatora lādētāja drošības norādes



BRĪDINĀJUMS: Pirms sākat lietot izstrādājumu, izlasiet tālāk izklāstītās brīdinājuma instrukcijas.

- Izmantojiet QC akumulatoru lādētājus tikai Husqvarna rezerves akumulatoru uzlādei.
- Pastāv elektriskās strāvas trieciena vai īssavienojuma risks. Neievietojiet nekādus priekšmetus lādētāja gaisa atverēs. Nemēģiniet demontēt akumulatora lādētāju. Nesavienojiet lādētāja spaiļes ar metāla priekšmetiem. Izmantojiet pārbaudītu elektrotīkla kontaktligzdu.
- Šis izstrādājums darbības laikā rada elektromagnētisko lauku. Noteiktos apstākļos šis lauks var traucēt aktīvā vai pasīvā medicīniskā implantāta darbību. Lai samazinātu risku nokļūt apstākļos, kad var tikt

gūtas smagas vai letālas traumas, mēs iesakām personām, kurām ir medicīniskie implantāti, pirms šī izstrādājuma lietošanas konsultēties ar savu ārstu un medicīniskā implanta ražotāju.

- Regulāri pārlicinieties, vai akumulatora lādētāja strāvas vads nav bojāts un vai tajā nav plaisu.
- Nevelciet akumulatora lādētāju aiz strāvas vada. Lai akumulatora lādētāju atvienotu no elektrotīkla kontaktligzdas, izrauļiet kontaktdakšu. Nevelciet aiz strāvas vada.
- Strāvas vadu un pagarinājuma kabelus turiet tālāk prom no ūdens, eļļas un asām apmalēm. Nodrošiniet, lai kabelis netiktu iespiests durvīs, nožogojumos un līdzīgās konstrukcijās. Tādā gadījumā var notikt strāvas izvade no lādētāja.
- Netīriet akumulatora lādētāju ar ūdeni.
- Akumulatora lādētāju drīkst izmantot bērni no 8 gadu vecuma un cilvēki ar ierobežotām fiziskām, sensorām vai garīgām spējām vai bez pieredzes un zināšanām tikai atbildīgās

personas uzraudzībā vai pēc norādījumu par akumulatora lādētāja lietošanu drošā veidā saņemšanas un iespējamo risku izprašanas. Bērni nedrīkst spēlēties ar šo akumulatora lādētāju. Ierīces tīrīšanu un apkopes darbus bērni drīkst veikt tikai atbildīgās personas uzraudzībā.

- Neizmantojiet akumulatora lādētāju tādu akumulatoru uzlādei, kas nav atkārtoti uzlādējami.
- Nelietojiet akumulatora lādētāju viegli uzliesmojošu materiālu vai materiālu, kas var izraisīt koroziju, tuvumā. Nepārklājiet akumulatora lādētāju. Ja konstatējat dūmus vai uguni, izrauļiet akumulatora lādētāja kontaktdakšu.
- Nelietojiet defektīvu vai bojātu akumulatora lādētāju.
- Lādējiet akumulatoru tikai telpā, kur ir laba gaisa plūsma un kur tas nav pakļauts saules gaismai. Nelādējiet akumulatoru mitrumā.

Strāvas vada drošība

Modelim LC 141C.

- Ieteicams izmantot paliekošās strāvas ierīci (Residual Current Device — RCD), kuras

nostrādes strāva nav lielāka par 30 mA. Pat ja ir uzstādīta RCD, nevar garantēt 100% drošību, tāpēc vienmēr jāievēro darba drošības noteikumi. Pārbaudiet RCD pirms katras lietošanas reizes.

- Ja strāvas vads tiek sagriezts vai tiek bojāta tā izolācija, nekavējoties atvienojiet izstrādājumu no strāvas avota.
- Nepieskarieties sagrieztajam vai bojātajam strāvas vadam, kamēr tas nav atvienots no strāvas avota.
- Sagrieztu vai bojātu strāvas vadu nedrīkst labot. Nomainiet to ar jaunu.

Norādījumi par drošu apkopi



BRĪDINĀJUMS: Pirms sākat lietot izstrādājumu, izlasiet tālāk izklāstītās brīdinājuma instrukcijas.

- Modelim LC 141iV, LC 141i. Lai nepieļautu nejaušu iedarbināšanu apkopes laikā, pagrieziet drošības atslēgu pozīcijā "0" un izņemiet akumulatoru. Uzgaidiet vismaz 5 sekundes, pirms sākat apkopi.
- Modelim LC 141C. Lai nepieļautu nejaušu iedarbināšanu apkopes laikā, atvienojiet strāvas vadu.
- Veiciet apkopes darbus pareizi, lai palielinātu produkta kalpošanas laiku un samazinātu nelaimes gadījumu risku. Ļaujiet profesionālos remontdarbus veikt pilnvarotam apkopes pārstāvim. Lai iegūtu papildinformāciju, sazinieties ar jums tuvāko apkopes pārstāvi.
- Veiciet tikai tos apkopes darbus, kas norādīti lietotāja rokasgrāmatā. Sarežģītāki darbi ir jāveic pilnvarotam apkopes pārstāvim.
- Lietojot griešanas aprīkojumu, uzvelciet izturīgus cimdus. Asmens ir ļoti ass, un ar to var viegli sagriezties.
- Uzturiet griezēja malas ir asas un tīras, lai nodrošinātu vislabāko un drošāko veiktspēju.
- Nodrošiniet, lai produktu regulāri pārbaudītu servisa centra darbinieki un tiktu veikta vajadzīgā regulēšana un remontdarbi.
- Nomainiet bojātās, nodilušās un salūzušās detaļas.
- Ievērojiet piederumu maiņas norādījumus. Lietojiet tikai ražotāja apstiprinātos piederumus.
- Kad tos neizmantojat, turiet produktu, akumulatoru un akumulatora lādētāju atstatu

vienu no otra telpās un slēgtā vietā. Pārlicinieties, vai bērni un nesankcionētas personas

nevar piekļūt produktam, akumulatoram vai akumulatora lādētājam.

Montāža

Ievads



BRĪDINĀJUMS: Pirms izstrādājuma montāžas izlasiet sadaļu par drošību.

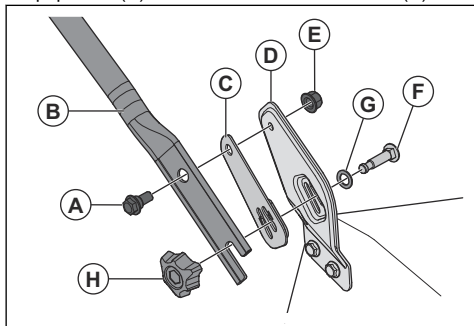


BRĪDINĀJUMS: Modelim LC 141iV, LC 141i. Lai nepieļautu nejaušu iedarbināšanu montāžas laikā, pagrieziet drošības atslēgu pozīcijā "0", izņemiet akumulatoru un nogaidiet vismaz 5 sekundes.

Modelim LC 141C. Lai nepieļautu nejaušu iedarbināšanu montāžas laikā, atvienojiet strāvas vadu.

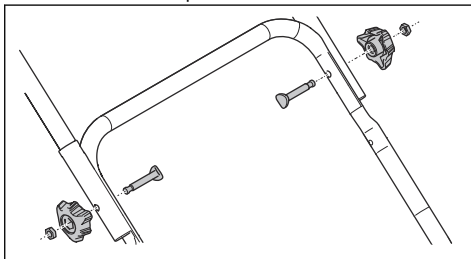
Roktura montāža

1. Bīdīet skrūvi (A) caur rokturi (B), plastmasas paplāksni (C) un roktura atbalsta kronšteinu (D).

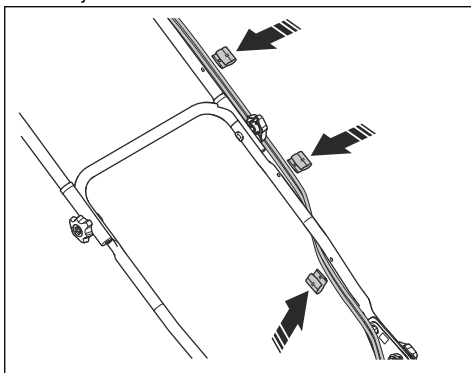


2. Pilnībā pievelciet uzgriezni (E).
3. Bīdīet skrūvi (F) caur paplāksni (G) un roktura atbalsta kronšteinu.
4. Pilnībā pievelciet fiksatoru (H).

5. Salāgojiet roktura caurumus ar apakšējā roktura caurumiem un piestipriniet skrūves, paplāksnes un fiksatorus. Pilnībā pievelciet fiksatorus.

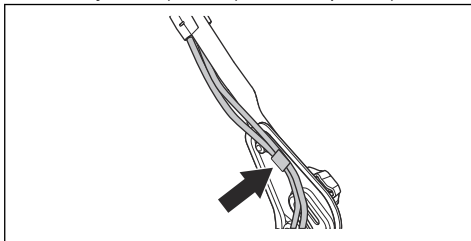


6. Pievienojiet kabelus rokturim, izmantojot kabelu turētājus.



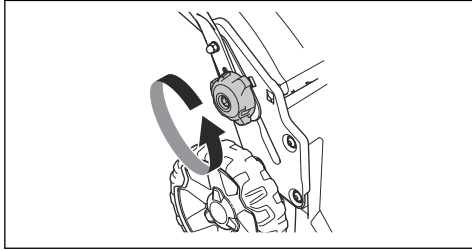
Piezīme: Pārlicinieties, vai kabeli nav nospriegoti pārāk stingri. Pārāk liels nospriegojums var sabojāt kabeli, ja rokturis tiek nolocīts transportēšanas pozīcijā.

7. Novietojiet kabelus uz āķa roktura apakšdaļā.

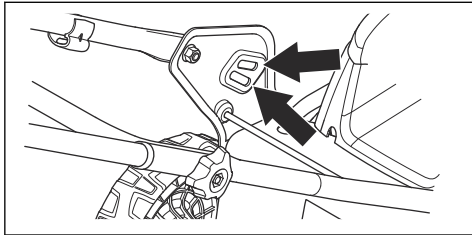


Roktura augstuma regulēšana

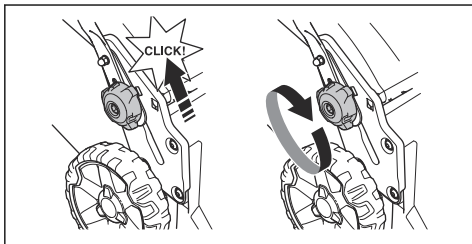
1. Atskrūvējiet apakšējos fiksatorus.



2. Noņemiet fiksatorus, paplāksnes un skrūves kreisajā un labajā pusē.
3. Rokturi var montēt 2 dažādos augstumos. Ievietojiet skrūves vienā no 2 atverēm kreisajā un labajā pusē.

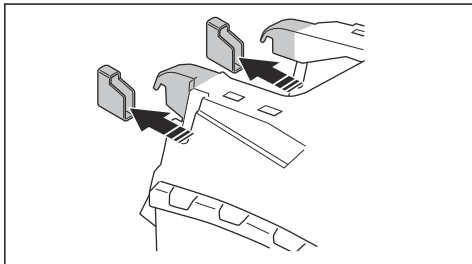


4. Piestipriniet skrūves, paplāksnes un fiksatorus.
5. Virziet fiksatorus uz augšu roktura virzienā, līdz tie apstājas un jūs dzirdat klikšķi. Pilnībā pievelciet fiksatorus.

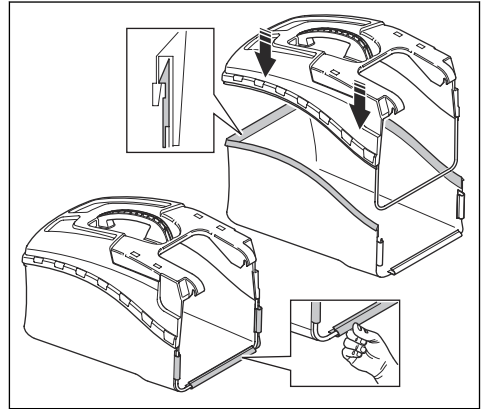


Zāles savācēja montāža

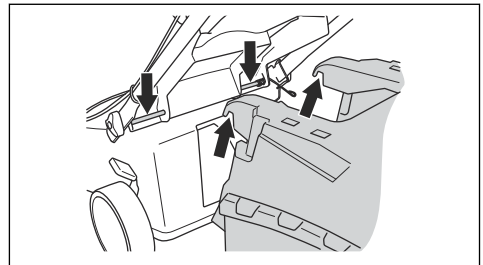
1. Bīdīt 2 transportēšanas pārsegu uz ārpusi un uz leju.



2. Novietojiet zāles savācēja augšējo daļu uz zāles savācēja apakšējās daļas. Piestipriniet zāles savācēja rāmi ar skavām.

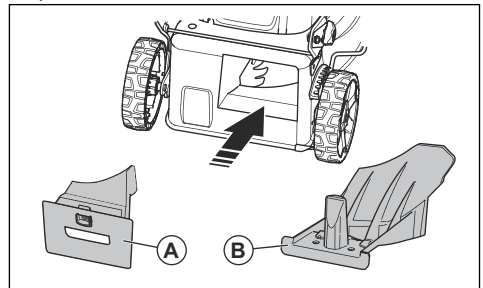


3. Noceliet aizmugurējo pārsegu.
4. Piestipriniet ākus uz zāles savācēja šasijas augšējai malai.



Mulčēšanas komplekta montāža

1. Paceliet aizmugurējo pārsegu un noņemiet zāles savācēju.
2. Ievietojiet mulčēšanas ieliktni zāles izmešanas atverē. A tipa mulčēšanas ieliktnis ir paredzēts modeļiem LC 141i un LC 141C. B tipa ierīce ir paredzēta modeļiem LC 141iV.



3. Aizveriet aizmugurējo pārsegu.
4. Nomainiet asmeni pret kombinēto asmeni, sk. *Asmens noņemšana un nomainīšana lpp. 440.*

Lietošana

Ievads



BRĪDINĀJUMS: Pirms sākat darbu ar produktu, izlasiet nodaļu par drošību un pārliecinieties, vai saprotat to.

Husqvarna Connect

Husqvarna Connect ir bezmaksas lietotne jūsu mobilajai ierīcei. Lietotne Husqvarna Connect nodrošina paplašinātas funkcijas jūsu Husqvarna izstrādājumam:

- Paplašināta izstrādājuma informācija.
- Informācija par izstrādājuma daļām un apkopi in palīdzība ar to.

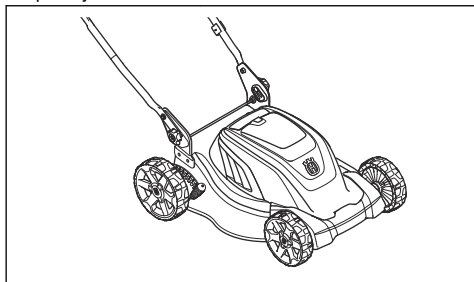
Lai sāktu izmantot Husqvarna Connect

1. Lejupielādējiet Husqvarna Connect lietotni savā mobilajā ierīcē.
2. Reģistrējieties Husqvarna Connect lietotnē.
3. Izpildiet Husqvarna Connect lietotnē sniegtos norādījumus, lai savienotu un reģistrētu produktu.

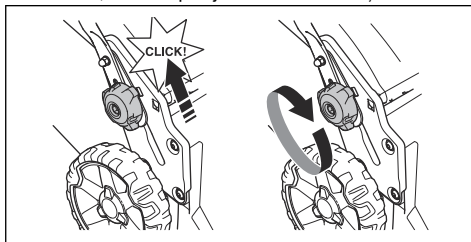
Izstrādājuma novietošana darbības pozīcijā

Ja rokturis atrodas transportēšanas un glabāšanas pozīcijā (sk. *Produkta novietošana transportēšanas pozīcijā lpp. 442*), veiciet tālāk aprakstīto procedūru, lai to novietotu darba pozīcijā.

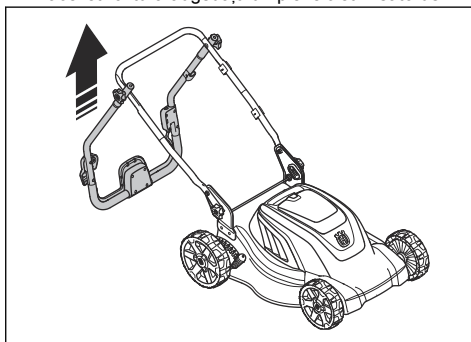
1. Paceliet rokturi, līdz tā apakšdaļa fiksējas darba pozīcijā.



2. Virziet apakšējos fiksatorus uz augšu roktura virzienā, līdz tie apstājas un atskan klikšķis.

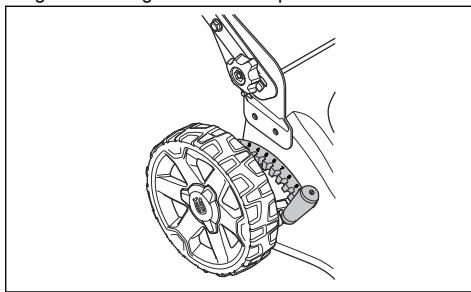


3. Pievelciet fiksatorus.
4. Paceliet roktura augšdaļu un pievelciet fiksatorus.



Pļaušanas augstuma regulēšana

1. Lai palielinātu griešanas augstumu, pārvietojiet griešanas augstuma sviru uz aizmuguri.
2. Lai samazinātu griešanas augstumu, pārvietojiet griešanas augstuma sviru uz priekšu.



IEVĒROJIET: Neiestatiet griešanas augstumu pārāk zemu. Ja zāliena virsma nav līdzena, asmeņi var saskarties ar zemi.

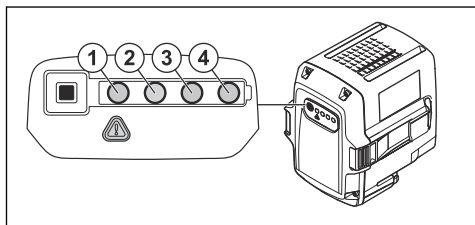
Akumulators



BRĪDINĀJUMS: Pirms izmantojat akumulatoru, izlasiet nodaļu par drošību un pārlicinieties, vai saprotat to. Izlasiet arī akumulatora un akumulatora lādētāja komplektā iekļauto lietotāja rokasgrāmatu un pārlicinieties, vai izprotat to.

Akumulatora statuss

Displejā ir redzams akumulatora atlikušais uzlādes līmenis un akumulatora kļūdu ziņojumi. Akumulatora uzlādes līmenis ir redzams 5 sekundes pēc produkta izslēgšanas vai akumulatora indikatora pogas nospiešanas. Ja radusies kļūda, iedegas akumulatora brīdinājuma simbols. Skatiet šeit: *Akumulators lpp. 441.*



LED indikatori	Akumulatora statuss
Deg visi LED indikatori	Pilnībā uzlādēts (75–100%)
Deg 1., 2. un 3. LED indikators	Akumulatora uzlādes līmenis ir 50–75%
Deg 1. un 2. LED indikators	Akumulatora uzlādes līmenis ir 25–50%
Deg 1. LED indikators	Akumulatora uzlādes līmenis ir 0–25%
Mirgo 1. LED indikators	Akumulators ir tukšs. Uzlādējiet akumulatoru.

Akumulatora uzlāde

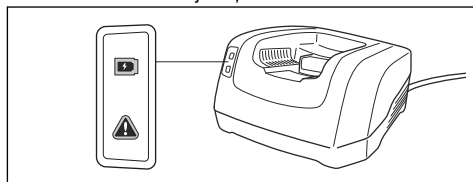
Pirms pirmās lietošanas reizes uzlādējiet akumulatoru. Akumulators ir tikai 30% uzlādēts, kad tiek piegādāts klientam.

Piezīme: Pievienojiet akumulatora lādētāju strāvas avotam, kura spriegums un frekvence atbilst uz datu plāksnītes norādītajiem.

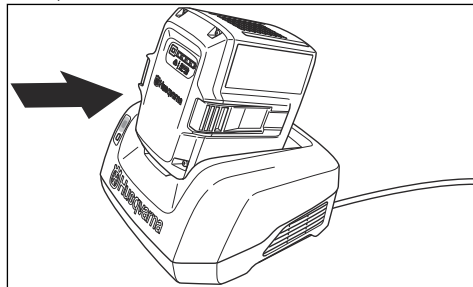
Akumulators netiek lādēts, ja tā temperatūra pārsniedz 50 °C. Akumulatora lādētājs samazina akumulatora temperatūru, pirms tiek sāktā uzlāde.

1. Savienojiet vienu akumulatora lādētāja strāvas vada galu ar akumulatora lādētāja ligzdu.

2. Savienojiet akumulatora lādētāja strāvas vada otru galu ar zemētu kontaktligzdu. Vienreiz iemirgosies akumulatora lādētāja zaļais LED indikators.



3. Ievietojiet akumulatoru lādētājā. Kad akumulators ir pareizi savienots ar akumulatora lādētāju, tajā deg zaļais indikators.



4. Kad deg visi akumulatora LED indikatori, akumulators ir pilnībā uzlādēts. Akumulatora uzlādes laiks nedrīkst pārsniegt 24 stundas.
5. Lai atvienotu akumulatora lādētāju no kontaktligzdas, velciet kontaktdakšu, nevis strāvas vadu.
6. Izņemiet akumulatoru no lādētāja.

Akumulatora uzlādes statuss

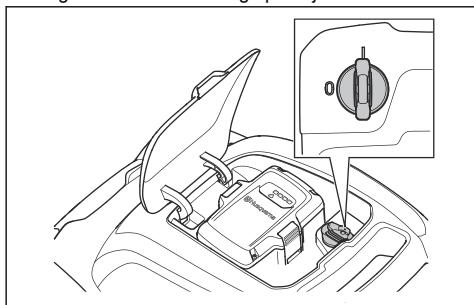
Husqvarna litija jonu akumulatoru drīkst uzlādēt un lietot neatkarīgi no uzlādes līmeņa. Akumulators netiek bojāts. Pilnībā uzlādēts akumulators nesamazinās uzlādes kapacitāti pat tad, ja pēc uzlādes to atstāj lādētājā.

LED indikators	Uzlādes statuss
Mirgo 1. LED indikators	0–25%
Deg 1. LED indikators, mirgo 2. LED indikators	20–50%
Deg 1. un 2. LED indikators, mirgo 3. LED indikators	50–75%
Deg 1., 2. un 3. LED indikators, mirgo 4. LED indikators	75–100%
Deg 1., 2., 3. un 4. LED indikators	Pilnībā uzlādēts

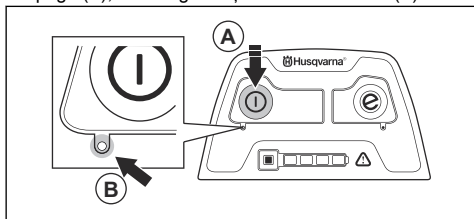
LC 141iV un LC 141i lietošana

Izstrādājuma iedarbināšana

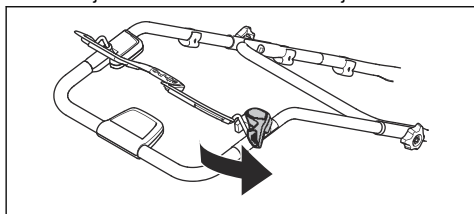
1. Ievietojiet uzlādētu akumulatoru tam paredzētajā nodalījumā.
2. Pagrieziet drošības atslēgu pozīcijā "1".



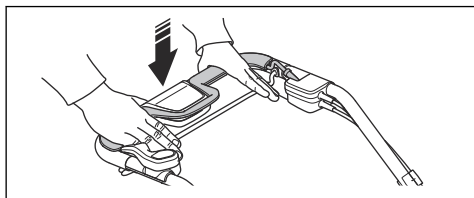
3. Stāviet aiz izstrādājuma.
4. Nospiediet vadības pults ieslēgšanas/izslēgšanas pogu (A), un iedegas zaļais LED indikators (B).



5. Atbrīvojiet iedarbināšanas ierobežotāju.

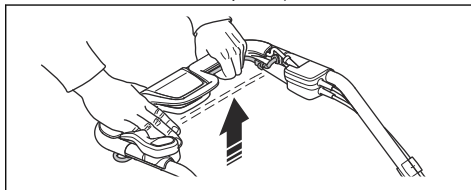


6. Pabīdīet bremžu rokturi stūres virzienā.

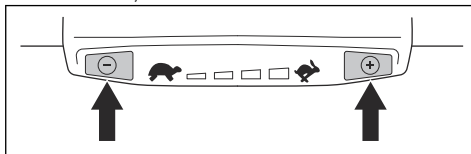


Piedziņas izmantošana rīteriem

- Modelis LC 141iV. Velciet piedziņas rokturi stūres virzienā, lai iedarbinātu piedziņu.



- Nospiediet + un - vadības pultī, lai iestatītu piedziņas ātrumu 4 soļos.

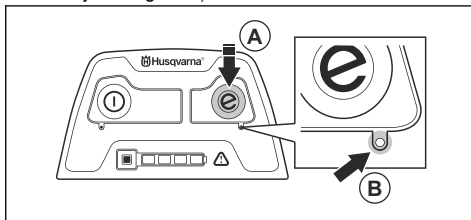


- Atļaidiet piedziņas rokturi, lai atvienotu piedziņu, piemēram, ja ejat tuvu šķērslim.

SavE funkcijas izmantošana

Produktam ir akumulatora taupīšanas funkcija (SavE), kas nodrošina ilgāku akumulatora kalpošanas laiku.

1. Nospiediet pogu SavE (A), lai sāktu izmantot funkciju. Iedegas zaļais LED indikators.



2. Nospiediet pogu SavE (A) vēlreiz, lai pārtrauktu izmantot funkciju. Zaļais LED indikators (B) nodzīst.

Funkcija SavE tiek apturēta automātiski, ja virsmas apstākļi pieprasa lielāku izstrādes apjomu. Funkcijas SavE izmantošana tiek sākta automātiski, kad virsmas apstākļi to atļauj.

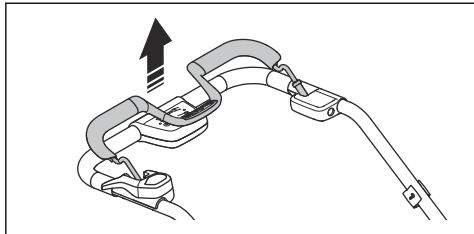
Lielas slodzes funkcija

Ja ar produktu tiek griezta gara vai mitra zāle, dzinējs automātiski palielina apgriezienu skaitu. Kad liela jauda nav nepieciešama, dzinējs pāriet atpakaļ standart režīmā.

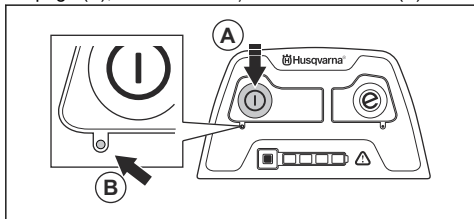
Izstrādājuma apturēšana

Produkts automātiski apstājas, ja to neizmantojat 10 minūtes. Vienmēr pagrieziet drošības atslēgu pozīcijā 0, pirms novēršat skatienu no produkta.

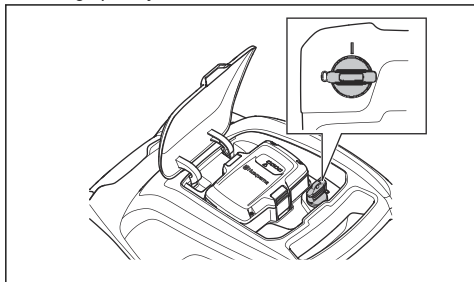
1. Atļaidiet dzinēja bremžu rokturi, lai apturētu dzinēju.



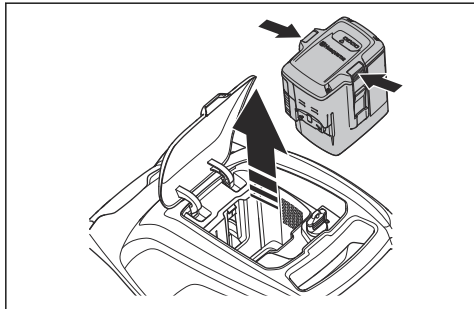
2. Nospiediet vadības pulsts ieslēgšanas izslēgšanas pogu (A), un nodziest zaļais LED indikators (B).



3. Atveriet akumulatora pārsegu un pagrieziet drošības atslēgu pozīcijā "0".



4. Lai izņemtu akumulatoru, nospiediet abas atbrīvošanas pogas un izņemiet akumulatoru.



5. Ja akumulators ir vājš, nomainiet to.
Papildinformāciju sk. *Akumulatora uzlāde lpp. 435.*

LC 141C lietošana

Apstiprināta vada izvēle (LC 141C)

Piezīme: Lielbritānijas tirgum izmantojiet tikai 16 m pagarinājuma kabeli, kas ir iekļauts produkta komplektācijā. Attiecībā uz pārējiem tirgiem skatiet tālāk sniegto informāciju.

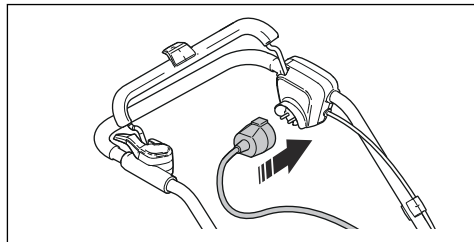
Ja tiek izmantoti vada pagarinātāji, to šķērsgriezumam jāatbilst minimālajām tālāk norādītajām vērtībām.

Spriegums	Kabeļa garums	Šķērsgriezums
220–240 V/50 Hz	Maksimāli 20 m	1,5 mm ²
220–240 V/50 Hz	20–50 m	2,5 mm ²

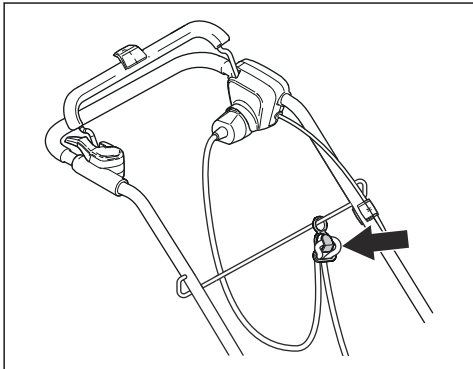
- Strāvas kabelus un pagarinātājus ārpus telpām izmantojamiem Husqvarna produktiem var iegādāties vietējā pilnvarotajā servisa centrā.
- Izmantojiet tikai tādus pagarinātājus, kas ir paredzēti lietošanas ārā un atbilst kādai no tālāk norādītajām specifikācijām: parasta gumija (60245 IEC 53), parasts PVC (60227 IEC 53) vai parasts PCP (60245 IEC 57).
- Ja vads ir bojāts, ražotājam, servisa centram vai līdzvērtīgi kvalificētai personai tas ir jānomaina, lai novērstu bīstamību.

Izstrādājuma iedarbināšana

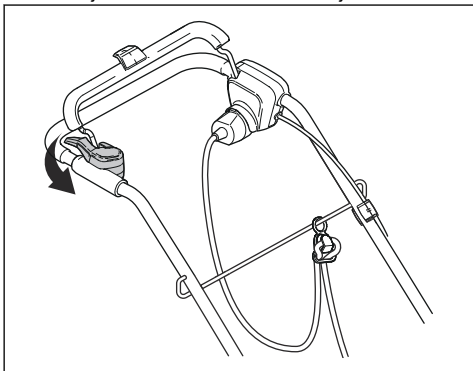
1. Pieslēdziet barošanas kabeli kontaktligzdai zem roktura.



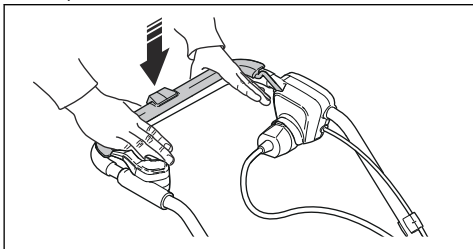
2. Ievietojiet barošanas kabeli tā turētājā. Skatiet šeit: *Strāvas vada turētāja lietošana (modelis LC 141C) lpp. 428.*



3. Stāviet aiz izstrādājuma.
4. Atbrīvojiet iedarbināšanas ierobežotāju.

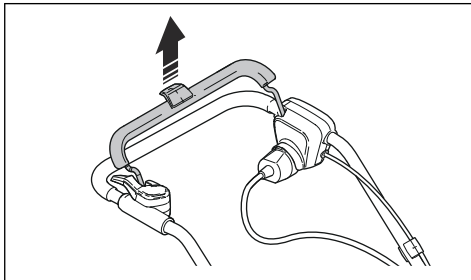


5. Nospiediet motora bremžu rokturi roktura virzienā.

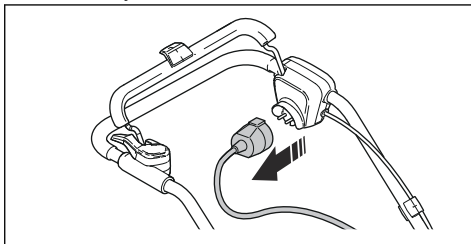


Izstrādājuma izslēgšana

1. Atlaidiet dzinēja bremžu rokturi, lai apturētu dzinēju.



2. Atvienojiet strāvas vadu no strāvas avota un pēc tam no izstrādājuma.



IEVĒROJIET: Velciet kontaktakšus taisni. Nevelciet aiz strāvas vada.

Labā rezultāta panākšana

- Vienmēr lietojiet tikai asus asmeņus. Lietojot trulu asmeni, pļaušanas rezultāts ir nevienmērīgs, un noplautā zāles virsma kļūst dzeltena. Ass asmens arī patērē mazāk enerģijas nekā truls asmens.
- Neplaujiet vairāk par 1/3 no zāles garuma. Vispirms plaujiet ar lielu pļaušanas augstuma iestatījumu. Pārbaudiet rezultātu un nolaidiet pļaušanas augstumu līdz pieņemamam līmenim. Ja zāle ir ļoti gara, plaujiet lēni un, ja nepieciešams, dariet to divreiz.
- Katru reizi plaujiet dažādos virzienus, lai zālienā neatstātu svītras.

Apkope

Ievads



BRĪDINĀJUMS: Pirms veicat apkopi, izlasiet nodaļu par drošību un pārliecinieties, vai izprotat to.

Lai veiktu visus izstrādājuma apkopes un remonta darbus, ir nepieciešama īpaša apmācība. Mēs garantējam profesionāla remonta un apkopes pieejamību. Ja jūsu izplatītājs nav servisa pārstāvis, vērsieties pie viņa, lai iegūtu informāciju par tuvāko servisa pārstāvi.

Apkopes grafiks

Apkopes intervāli tiek aprēķināti atbilstoši izstrādājuma ikdienas lietošanai. Intervāli mainās, ja izstrādājumu neizmanto ikdienā.

Informāciju par apkopes darbiem, kas atzīmēti ar zvaigznīti *, sk. *Izstrādājuma drošības ierīces lpp. 427.*

LC 141IV, LC 141i un LC 141C	Katrā lietošanas reizē	Reizi mēnesī	Katru sezonu
Veiciet vispārēju pārbaudi.	X		
Noīriet izstrādājumu.	X		
Pārbaudiet iedarbināšanas ierobežotāju.*	X		
Pārļiecinieties, vai izstrādājuma drošības ierīces nav bojātas.*	X		
Pārbaudiet griešanas aprīkojumu.	X		
Pārbaudiet griešanas pārsegu.*	X		
Pārbaudiet motora bremžu rokturi.*	X		

Tikai LC 141IV un LC 141i	Katrā lietošanas reizē	Reizi mēnesī	Katru sezonu
Pārļiecinieties, vai ieslēgšanas/izslēgšanas poga darbojas pareizi un nav bojāta.	X		
Pārbaudiet, vai akumulators nav bojāts.	X		
Pārbaudiet akumulatora uzlādi.	X		
Pārļiecinieties, vai akumulatora atbrīvošanas pogas darbojas pareizi un vai izstrādājuma akumulators tiek fiksēts vietā.	X		
Pārbaudiet, vai nav akumulatora bojājumu un pārļiecinieties, vai tas darbojas pareizi.		X	
Pārbaudiet savienojumus starp akumulatoru un produktu. Pārbaudiet arī savienojumu starp akumulatoru un akumulatora lādētāju.			X

Vispārējās pārbaudes veikšana

- Pārļiecinieties, vai uzgriežņi un skrūves uz izstrādājuma ir cieši pievilkti.
- Pārļiecinieties, vai produkta kabeli nav novietoti tā, ka tie var tikt bojāti.

Produkta tīrīšana

- Plastmasas daļas noīriet ar tīru un sausu drāniņu.
- Produkta tīrīšanai neizmantojiet ūdeni. Ūdens var iekļūt akumulatorā vai dzinējā un rādīt īssavienojumu vai produkta bojājumus.
- Produktu nedrīkst skalot ar augstspiediena ūdens strūklu.
- Nekādā gadījumā neļiejet ūdeni tieši uz dzinēja.
- Izmantojiet suku, lai noīrītu lapas, zāli un neīrumus.

Akumulatora un akumulatora lādētāja tīrīšana



IEVĒROJIET: Neīriet akumulatoru un tā lādētāju ar ūdeni.

- Pirms ievietojat akumulatoru lādētājā, pārļiecinieties, vai akumulators un akumulatora lādētājs ir tīri un sausi.
- Noīriet akumulatora spailes ar saspīestu gaisu vai izmantojiet mīkstu un sausu drānu.
- Noīriet akumulatora un lādētāja virsmas ar mīkstu un sausu drānu.

Griešanas aprīkojuma pārbaudīšana



BRĪDINĀJUMS: Modeļiem LC 141iV un LC 141i. Lai nepieļautu nejaušu iedarbināšanu, pagrieziet drošības atslēgu pozīcijā "0", izņemiet akumulatoru un nogaidiet vismaz 5 sekundes.

Modeļim LC 141C. Lai nepieļautu nejaušu iedarbināšanu, atvienojiet strāvas vadu.



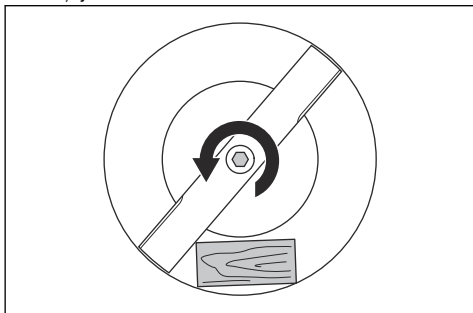
BRĪDINĀJUMS: Veicot griešanas aprīkojuma apkopi, velciet aizsargcimdus. Asmens ir ļoti ass, un ar to var viegli sagriezties.

1. Pārbaudiet, vai griešanas aprīkojums nav bojāts vai ieplaisājis. Vienmēr nomainiet bojātu griešanas ierīci.
2. Apskatiet asmeni, lai redzētu, vai tas nav bojāts vai truls.

Piezīme: Vajadzības gadījumā pēc asmens uzasināšanas to balansējiet. Ļaujiet servisa centram asināt, nomainīt un balansēt asmeni. Ja saskaraties ar šķērsli, kas liek izstrādājumam apstāties, nomainiet bojāto asmeni. Lai apkopes centra pārstāvis novērtē, vai asmens ir jāuzasina, vai arī tas ir jānomaina.

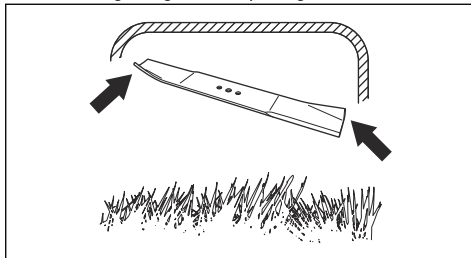
Asmens noņemšana un nomainīšana

1. Bloķējiet asmeni ar koka klucīti.

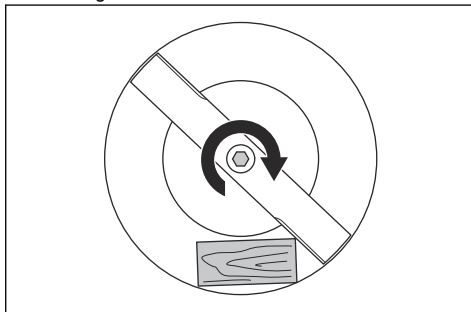


2. Izņemiet asmens skrūvi.
3. Noņemiet asmeni.

4. Pārbaudiet asmens atbalstu un asmens skrūvi, lai redzētu, vai nav bojājumu.
5. Pārbaudiet dzinēja vārpstu, lai pārliecinātos, vai tā nav saliekta.
6. Kad piestiprināt jauno asmeni, vēršiet asmens saliektos galus griešanas pārsega virzienā.



7. Pārliecinieties, vai asmens ir salāgots ar dzinēja vārpstas centru.
8. Bloķējiet asmeni ar koka klucīti. Piestipriniet atsperepaplāksni un pievelciet skrūvi un paplāksni ar 20 Nm griezes momentu.



9. Ar roku pagrieziet asmeni un pārbaudiet, vai tas griežas brīvi.



BRĪDINĀJUMS: Velciet biezus cimdus. Asmens ir ļoti ass, un ar to var viegli sagriezties.

10. Iedarbiniet izstrādājumu, lai pārbaudītu asmeni. Ja asmens nav pareizi piestiprināts, izstrādājums vibrē vai plaušanas rezultāts nav apmierinošs.

Problēmu novēršana

Akumulators

LED indikators uz akumulatora	Cēlonis	Risinājums
LED indikators mirgo zaļā krāsā	Akumulatora spriegums ir zems.	Uzlādējiet akumulatoru. Skatiet šeit: <i>Akumulatora uzlāde lpp. 435.</i>
Mirgo kļūdu LED indikators.	Zems akumulatora uzlādes līmenis.	Uzlādējiet akumulatoru. Skatiet šeit: <i>Akumulatora uzlāde lpp. 435.</i>
	Temperatūra darba vidē ir pārāk augsta vai pārāk zema.	Akumulatoru drīkst temperatūrā no -10 °C līdz 40 °C.
	Pārspriegums.	Pārbaudiet, vai tīkla spriegums atbilst tam, kas ir norādīts uz izstrādājuma datu plāksnītes. Izņemiet akumulatoru no lādētāja. Pagaidiet 5 sekundes un pēc tam mēģiniet akumulatoru uzlādēt. Ja problēma joprojām nav novērsta, sazinieties ar pilnvarotu apkopes pārstāvi.
Deg kļūdu LED indikators.	Pārāk liela elementu sprieguma atšķirība (1 V).	Sazinieties ar pilnvarotu apkopes pārstāvi.

Akumulatora lādētājs

LED indikators uz akumulatora lādētāja	Cēlonis	Risinājums
Mirgo kļūdu LED indikators.	Temperatūra darba vidē ir pārāk augsta vai pārāk zema.	Akumulatora lādētāju lietojiet temperatūrā no 5 °C līdz 40 °C.
Deg kļūdu LED indikators.		Sazinieties ar pilnvarotu apkopes pārstāvi.

Vadības panelis

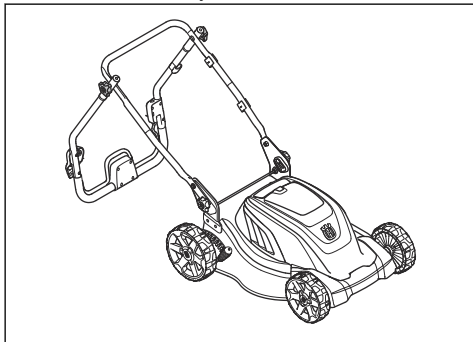
Ja rodas problēmas, kas nav minētas šajā sadaļā, sazinieties ar apkopes pārstāvi.

Tastatūra	Iespējamās kļūmes	Iespējamā rīcība
Mirgo kļūdu LED indikators	Dzinējs ir pārslogots	Palieliniet griešanas augstumu. Skatiet šeit: <i>Pļaušanas augstuma regulēšana lpp. 434.</i>
	Dzinēja apgriezīgu skaitu pārāk nokrītas, un dzinējs apstājas	
	Dzinēja vadības bloks ir pārāk karsts	Apstādiniet dzinēju un uzgaidiet, līdz tas kļūs vēss
	Asmens ir bloķēts	Lai nepieļautu nejašu iedarbināšanu, pagrieziet drošības atslēgu pozīcijā "0", izņemiet akumulatoru un nogaidiet vismaz 5 sekundes. Pārliecinieties, vai asmens brīvi griežas. Ja problēma joprojām pastāv, sazinieties ar pilnvarotu apkopes pārstāvi
	Akumulatora kļūda vai netiek saņemts signāls no akumulatora	Ievietojiet akumulatoru produktā pareizi un pārbaudiet akumulatora savienotāju. Ja kļūdu LED indikators uz akumulatora mirgo, skatiet sadaļu <i>Akumulators lpp. 441.</i>
Produkts apstājas	Akumulators ir vājš	Uzlādējiet akumulatoru. Skatiet šeit: <i>Akumulatora uzlāde lpp. 435.</i>
	Akumulatora savienotāja kļūda	Pārbaudiet akumulatora savienotāju

Pārvadāšana, glabāšana un utilizēšana

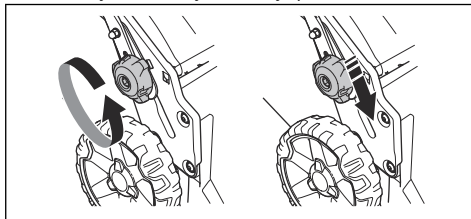
Produkta novietošana transportēšanas pozīcijā

1. Noņemiet zāles savācēju (ja tas ir uzstādīts).
2. Atskrūvējiet vaļīgāk fiksatorus roktura augšdaļā un nolokiet rokturi uz leju.

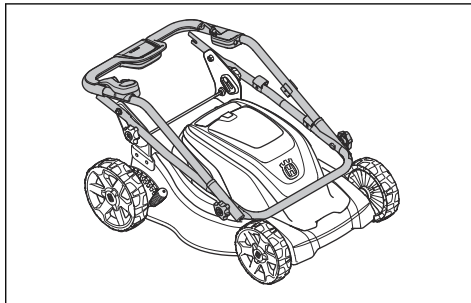


3. Atskrūvējiet apakšējos fiksatorus.

4. Pārvietojiet fiksatorus uz rienu apakšējo malu izstrādājuma kreisajā un labajā pusē.



5. Nolokiet rokturi uz priekšu.



Transportēšana

- Uz iekļautajiem litija jonu akumulatoriem attiecas likumu prasības par bīstamajām precēm.

- Komerciālai transportēšanai ir jāievēro īpašās prasības uz iepakojuma un uzlīmēm.
- Noteikti ievērojiet noteikumus, kas attiecas uz bīstamiem materiāliem, kad produktu sagatavojat transportēšanai. Spēkā var būt vietēji noteikumi.
- Transportēšanas laikā izņemiet akumulatoru.
- Uzlieciet lenti uz akumulatora savienotājiem un pārļiecinieties, vai akumulators transportēšanas laikā nevar kustēties.
- Transportēšanas laikā nostipriniet produktu.

Glabāšana

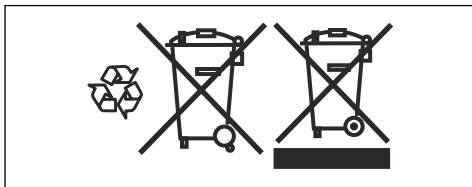
- Glabāšanas laikā izņemiet akumulatoru.
- Lai novērstu nelaimes gadījumus, produkta glabāšanas laikā akumulatoram ir jābūt atvienotam no produkta.
- Turiet akumulatora lādētāju slēgtā un sausā vietā.
- Turiet akumulatoru un akumulatora lādētāju sausā vietā, kur nav mitruma vai sala ietekmes.
- Uzglabāšanas laikā atvienojiet akumulatoru no akumulatora lādētāja.
- Neglabājiet akumulatoru vietās, kur var rasties statiskā elektrība. Neglabājiet akumulatoru metāla kārbā.
- Akumulatoru glabājiet vietā, kur temperatūra ir no 5 °C līdz 25 °C un uz to neiedarbojas tieši saules stari.
- Akumulatora lādētāju glabājiet vietā, kur temperatūra ir no 5 °C līdz 45 °C un uz to neiedarbojas tieši saules stari.

- Akumulatora uzlādes līmenim pirms ilgstošas glabāšanas jābūt 30–50%.
- Glabājiet produktu, akumulatoru un akumulatora lādētāju slēgtā vietā, kas nav pieejama bērniem un nesankcionētiem personām.
- Notīriet produktu un veiciet pilnu apkopi, pirms novietojat produktu ilgstošai glabāšanai.

Atbrīvošanās no produkta

Simboli uz produkta vai tā iepakojuma norāda, ka no šī produkta nedrīkst atbrīvoties kā no sadzīves atkritumiem. Tas ir jānodod atbilstošā elektrisko un elektronisko ierīču pārstrādes uzņēmumā.

Nodrošinot, ka šis izstrādājums tiek pareizi pārstrādāts, varat palīdzēt novērst iespējamo negatīvo ietekmi uz vidi un cilvēkiem. Pretējā gadījumā tiek veikta nepareiza šī izstrādājuma utilizēšana. Lai uzzinātu vairāk par šī izstrādājuma pārstrādi, sazinieties ar vietējo pašvaldību, atkritumu pārstrādes uzņēmumu vai veikalu, kurā iegādājāties šo izstrādājumu.



Tehniskie dati

Tehniskie dati: LC 141IV, LC 141i

	LC 141IV	LC 141i
Cutting motor (Pļaušanas motors)		
Motora tips	BLDC (bezsku) 36 V	BLDC (bezsku) 36 V
Motora ātrums — SavE, apgr./min	2700	2700
Motora ātrums — nominālais, apgr./min	3100	3100
Motora ātrums — liela slodze, apgr./min	3700	3700
Motora jauda — maks., kW	0,8	0,8
Motora jauda — nominālā, kW	0,55	0,55
Piedziņas motors		
Motora jauda — nominālā, kW	0,25	N/P
Kustības ātrums, km/h	3,0–4,5	N/P
Ātruma regulēšanas līmeņi	4	N/P
Svars		
Svars bez akumulatora, kg	21,5	18,6

	LC 141IV	LC 141i
Akumulators ¹⁰⁶		
Tipa akumulators	Husqvarna akumulatoru sērija	Husqvarna akumulatoru sērija
Akumulatora darbības laiks		
Akumulatora darbības laiks, minimālais (brīvgaita), ar aktivizētu SavE funkciju un vienu Husqvarna 5,2 Ah akumulatoru (BLi200).	77	77
Akumulatora darbības laiks, minimālais (brīvgaita) ar aktivizētu standarta režīmu, ar vienu Husqvarna 5,2 Ah akumulatoru (BLi200).	45	45
Trokšņa emisija ¹⁰⁷		
Skaņas jaudas līmenis, izmērītais dB (A)	88	88
Skaņas jaudas līmenis, garantētais L _{WA} dB (A)	89	89
Skaņas līmenis ¹⁰⁸		
Skaņas spiediena līmenis pie operatora auss, dB(A)	83	83
Vibrācijas līmeņi ¹⁰⁹		
Rokturis, m/s ²	2,0	2,0
Pļaušana		
Griešanas augstums, mm	25–70	25–70
Pļaušanas platums, cm	41	41
Asmens, artikula numurs	Vākšana — 5011716-01	Vākšana — 5011716-01
Savācēja tilpums, litri	50	50

Apstiprinātie akumulatori	Zīmols	Tips	Akumulatora ietilpība, Ah	Spriegums (V)	Svars, mārciņas/kg
BLi10	Husqvarna	Litija jonu	2,0	36	1,8/0,8
BLi100	Husqvarna	Litija jonu	2,6	36	1,9/0,8
BLi20	Husqvarna	Litija jonu	4,0	36	2,7/1,2
BLi200	Husqvarna	Litija jonu	5,2	36	2,8/1,3
BLi300	Husqvarna	Litija jonu	9,4	36	4,1/1,9

¹⁰⁶ Vislabākos rezultātus un veiktspēju nodrošina Husqvarna akumulators BLi200.

¹⁰⁷ Atbilstoši EK direktīvai 2000/14/EK trokšņa emisija apkārtņē ir mērīta kā akustiskā jauda (L_{WA}).

¹⁰⁸ Sniegtajos datos par skaņas spiediena līmeni tipiskā statistiskā izkliede ir 1,2 dB(A) (standartnovirze).

¹⁰⁹ Sniegtajos datos par vibrācijas līmeni tipiska statistiskā izkliede ir 0,2 m/s² (standarta novirze).

Apstiprinātie lādētāji norādītajiem akumulatoriem,	Zīmols	Ieejas spriegums, V	Frekvence, Hz	Jauda, W
QC80	Husqvarna	100–240	50–60	80
QC80F	Husqvarna	12	0	80
QC250	Husqvarna	220–240	50	250
QC330	Husqvarna	100–240	50–60	330
QC500	Husqvarna	100–240	50–60	500

Tehniskie dati: LC 141C

	LC 141C
Motors	
Motora tips	AC sērijas motors
Motora ātrums — nominālais, apgr./min	3200
Jauda	1800 W
Strāvas avots	Elektrības vads
Strāvas kabelis (iekļauts tikai Lielbritānijas tirgum)	
Kabeļa veids	16 m pagarinājuma vads
Svars, kg	1,6
Svars	
Svars, kg	20,4
Trokšņa emisija ¹¹⁰	
Skaņas jaudas līmenis, izmērītais dB(A)	93
Skaņas jaudas līmenis, garantētais L _{WA} dB(A)	95
Skaņas līmeņi ¹¹¹	
Skaņas spiediena līmenis pie operatora auss, dB(A)	85
Vibrācijas līmeņi ¹¹²	
Rokturis, m/s ²	2,0
Pļaušana	
Griešanas augstums, mm	25–70
Pļaušanas platums, cm	41
Asmens, izstrādājuma numurs	Collect 5011716-01
Savācēja tilpums, litri	50

¹¹⁰ Atbilstoši EK direktīvai 2000/14/EK trokšņa emisija apkārtņē ir mērīta kā trokšņa jauda (L_{WA}).

¹¹¹ Sniegtajos datos par skaņas spiediena līmeni tipiskā statistiskā izkliedē ir 1,4 dB(A) (standartnovirze).

¹¹² Sniegtajos datos par vibrācijas līmeni tipiska statistiskā izkliedē ir 0,2 m/s² (standarta novirze).

EK atbilstības deklarācija

EK atbilstības deklarācija

Husqvarna AB, SE-561 82 Huskvarna, Zviedrija, tālr. nr.: +46-36-146500, apliecinā, ka **zāles plāvēji Husqvarna LC 141iV un LC 141i** ar sērijas numuriem no 2018XXXXXXX uz priekšu un zāles plāvēji **Husqvarna LC 141C** ar sērijas numuriem no 2015XXXXXXX uz priekšu atbilst prasībām, kas ir noteiktas šajās PADOMES DIREKTĪVĀS:

- 2011. gada 8. jūnija direktīva **2011/65/ES** "par dažu bīstamu vielu izmantošanas ierobežošanu".
- 2006. gada 17. maijs, Direktīva **2006/42/EK**, "par mašīnu tehniku"
- 2014. gada 26. februāra direktīva **2014/30/ES** "par elektromagnētisko saderību";
- 2000. gada 8. maija direktīva **2000/14/EK** "par trokšņa emisiju vidē".

Lai iegūtu informāciju par trokšņa emisiju, skatiet tehnisko datu sadaļu.

Izstrādājuma Husqvarna LC 141iV un LC 141i sertificēšanai ir piemēroti šādi standarti: **IEC 60335-2-77:2002, IEC 60335-1:2010+A1:2013, EN 55014-1:2017, EN 55014-2:2015, EN 61000-3-2:2014, EN 61000-3-3:2013, EN 62233:2008**

Izstrādājuma Husqvarna LC 141C sertificēšanai ir piemēroti šādi standarti: **EN 60335-1:2012+A11:2014, EN 60335-2-77:2010, EN 62233:2008, EN 55014-1:2017+A11, EN 55014-2:2015, EN 61000-3-2:2019, EN 61000-3-11:2019**

Pilnvarotā iestāde **0404, RISE SMP Svensk Maskinprovning AB, Box 7035, SE-750 07 Uppsala** ir veicis atbilstības novērtējumu saskaņā ar Direktīvas 2000/14/EK VI pielikumu.

Huskvarna, 2020-10-13



Claes Losdal, nodaļas vadītājs/dārzkopības izstrādājumi (Pilnvarotais "Husqvarna AB" pārstāvis, kas atbild par tehnisko dokumentāciju)

Inhoud

Inleiding.....	448	Probleemoplossing.....	469
Veiligheid.....	451	Vervoer, opslag en verwerking.....	471
Montage.....	460	Technische gegevens.....	472
Werking.....	462	EG verklaring van overeenstemming.....	475
Onderhoud.....	467		

Inleiding

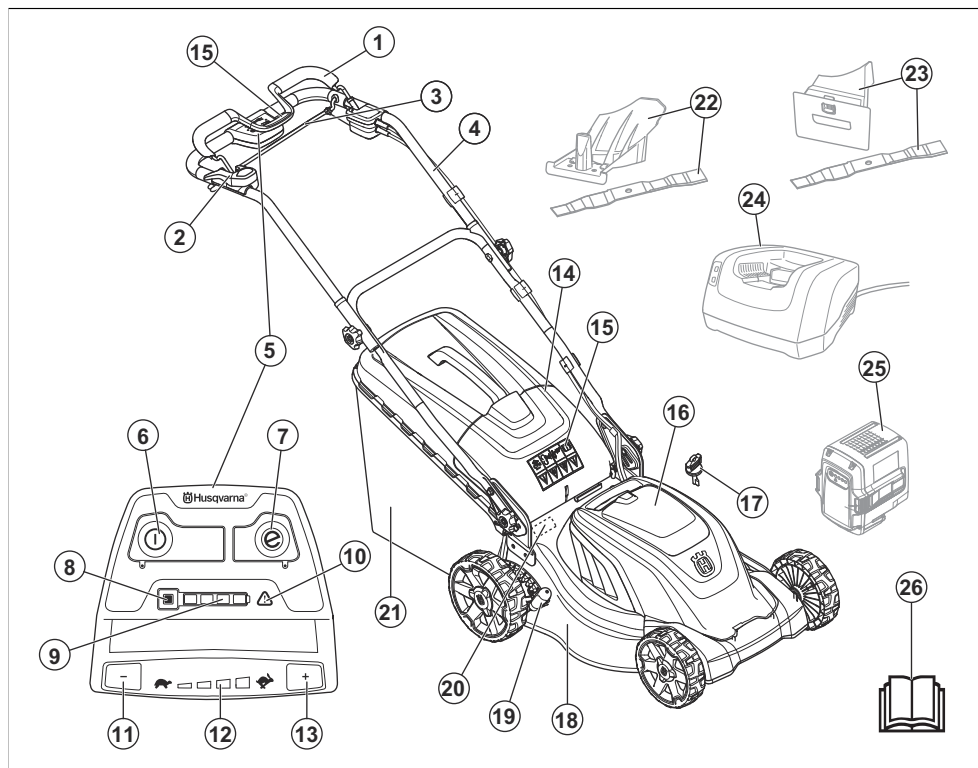
Productbeschrijving

Het product is een roterende duwmaaier. Het gras wordt verzameld in een grasopvangbak. Verwijder de grasopvangbak om het gras aan de achterkant af te voeren. Bevestig een mulchkit (accessoire) om het gras te snijden tot meststof.

Gebruik

Gebruik het product om gras te maaien. Gebruik het product niet voor andere taken.

Productoverzicht LC 141iV/LC 141i

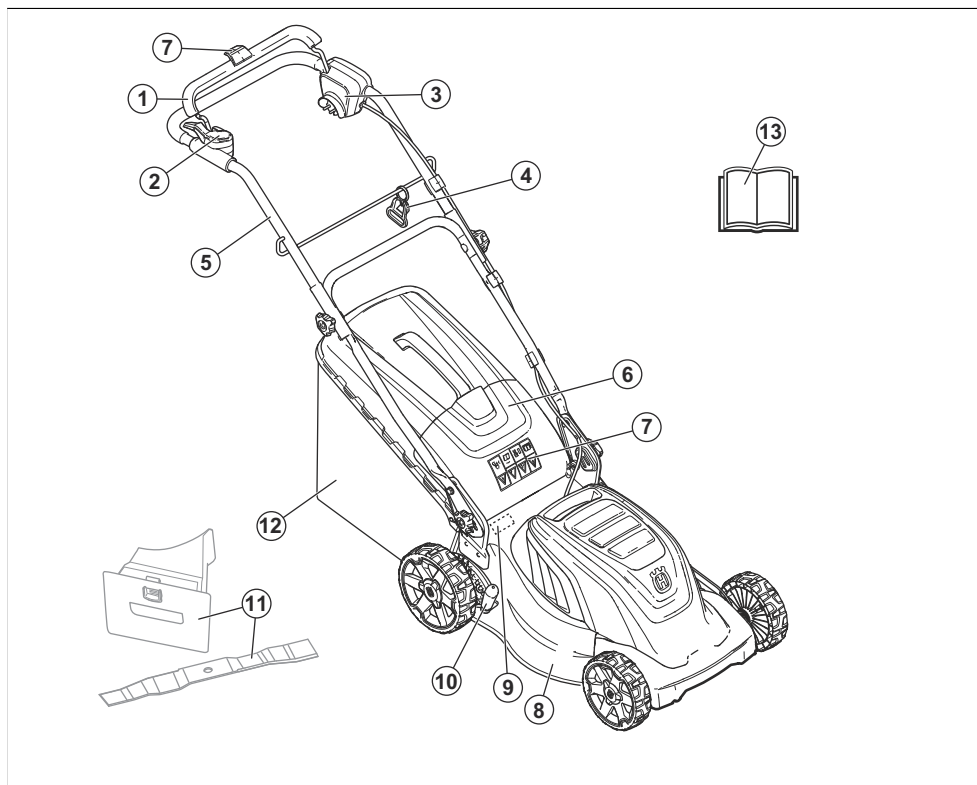


1. Remhendel van de motor
2. Startvergrendeling
3. Aandrijfhendel (LC 141iV)
4. Hendel / handgreep

5. Bedieningspaneel
6. AAN/UIT-knop
7. SavE-knop
8. Accu-indicatiekноп

- | | |
|---|---|
| 9. Accu-oplaadindicator | 18. Kap van maaidek |
| 10. Waarschuwingindicator (FOUT-led) | 19. Maaihoogtehendel |
| 11. Knop voor toerental verlagen (LC 141iV) | 20. Productplaatje |
| 12. Toerentalindicator (LC 141iV) | 21. Grasopvangbak |
| 13. Knop voor toerental verhogen (LC 141iV) | 22. Mulchkit (accessoire voor LC 141iV) |
| 14. Achterklep | 23. Mulchkit (accessoire voor LC 141i) |
| 15. Symbolen | 24. Acculader (accessoire) |
| 16. Accudeksel | 25. Accu (accessoire) |
| 17. Veiligheidsleutel | 26. Bedieningshandleiding |

Productoverzicht LC 141C



- | | |
|-----------------------------------|---------------------------|
| 1. Remhendel van de motor | 12. Grasopvangbak |
| 2. Startvergrendeling | 13. Bedieningshandleiding |
| 3. Contactdoos voor voedingskabel | |
| 4. Houder voor voedingskabel | |
| 5. Hendel / handgreep | |
| 6. Achterklep | |
| 7. Symbolen | |
| 8. Kap van maaidek | |
| 9. Productplaatje | |
| 10. Maaihoogtehendel | |
| 11. Mulchplug (accessoire) | |

Symbolen op het product



Onzorgvuldig of onjuist gebruik van het product kan leiden tot letsel of de dood van de

gebruiker of omstanders.



Lees de bedieningshandleiding door en zorg dat u de instructies hebt begrepen voordat u dit product gebruikt.



Houd personen en dieren op veilige afstand van het werkgebied.



Kijk uit voor weggeslingerde en afgeketste voorwerpen.



Waarschuwing: Houd handen en voeten uit de buurt van het roterende mes.



Waarschuwing: Houd handen en voeten uit de buurt van draaiende onderdelen.



Verwijder de veiligheidssleutel voordat u onderhoud aan het product uitvoert. (model LC 141iV/ LC 141i)



Koppel het product los uit de contactdoos voordat u onderhoud

aan het product uitvoert. (model LC 141C)

IPX1 IPX1 - Het product biedt bescherming tegen waterdruppels (model LC 141iV/LC 141i)

IPX4 IPX4 - Het product biedt bescherming tegen opspattend water (model LC 141C)



Zorg dat er geen regen op het product valt (model LC 141iV/ LC 141i)



Waarschuwing: Ga niet met het product over de voedingskabel heen, omdat dit een elektrische schok of beschadiging van het product kan veroorzaken. (model LC 141C)



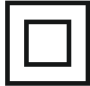
Dit product voldoet aan de geldende EG-richtlijnen.



Geluidsemissie naar de omgeving volgens de richtlijn van de Europese Gemeenschap. De emissie van het product is vermeld in het hoofdstuk "Technische

gegevens" en op het label.

 Gelijkstroom. 36V

 Dubbele isolatie.



Lever dit product in bij een recyclepunt voor elektrische en elektronische apparatuur. (Alleen geldig voor Europa)



Startprocedure voor model LC 141iV/ LC 141i: druk op de AAN/UIT-knop, maak de startvergrendeling los, druk de remhendel van de motor omhoog.



Startprocedure voor model LC 141C: maak de startvergrendeling los, druk de remhendel van de motor omlaag.



Zet de remhendel van de motor los om te stoppen.



Langzaam



Snel



Scanbare code

Let op: Andere symbolen/stickers op het product hebben betrekking op certificeringseisen voor bepaalde markten.

Productaansprakelijkheid

Zoals uiteengezet in de wet voor productaansprakelijkheid zijn wij niet aansprakelijk voor schade die door ons product wordt veroorzaakt, indien:

- het product niet goed is gerepareerd.
- het product is gerepareerd met onderdelen die niet van de fabrikant afkomstig zijn, of onderdelen die niet zijn goedgekeurd door de fabrikant.
- het product een accessoire bevat dat niet afkomstig is van de fabrikant of niet is goedgekeurd door de fabrikant.
- het product niet is gerepareerd door een erkend servicepunt of door een erkende autoriteit.

Veiligheid

Veiligheidsdefinities

Waarschuwingen, voorzorgsmaatregelen en opmerkingen worden gebruikt om te wijzen op belangrijke delen van de handleiding.



WAARSCHUWING: Wordt gebruikt om te wijzen op de kans op ernstig of fataal letsel voor de gebruiker of omstanders wanneer de instructies in de handleiding niet worden gevolgd.



OPGELET: Wordt gebruikt indien er een risico bestaat op schade aan het product en andere eigendommen of aan de omgeving wanneer de instructies in de handleiding niet worden gevolgd.

Let op: Geven verdere informatie die nodig is in een bepaalde situatie.

Algemene veiligheidsinstructies



WAARSCHUWING: Lees de volgende waarschuwingen voordat u het product gaat gebruiken.

- Dit product is gevaarlijk als het verkeerd wordt gebruikt, of als u niet voorzichtig bent. Letsel of overlijden kunnen het gevolg zijn als u de veiligheidsvoorschriften negeert.
- Dit product produceert tijdens bedrijf een elektromagnetisch veld. Dit veld kan onder bepaalde omstandigheden de werking van actieve of passieve medische implantaten verstoren. Om het risico op ernstig of dodelijk letsel te beperken, raden we personen met een medisch implantaat aan om contact op te nemen met hun arts en de fabrikant van het medische implantaat alvorens dit product te gaan gebruiken.
- Wees altijd voorzichtig en gebruik uw gezond verstand. Als u niet zeker weet hoe u het product moet bedienen in een bepaalde situatie, stop dan en informeer bij uw Husqvarna dealer voordat u verdergaat.
- Denk erom dat de bediener of gebruiker verantwoordelijk is voor ongelukken of beschadigingen aan eigendommen.
- Houd het product schoon. Zorg ervoor dat u de aanduidingen en stickers duidelijk kunt lezen.
- Laat kinderen of mensen die niet bekend zijn met deze gebruiksaanwijzing het apparaat niet gebruiken. Er kunnen plaatselijke regels zijn met betrekking tot de minimumleeftijd voor het bedienen van dit apparaat.
- Houd personen met een lichamelijke of geestelijke beperking die het product gebruiken, altijd in de gaten. Er moet te allen tijde een verantwoordelijke volwassene aanwezig zijn.
- Gebruik het product nooit als u moe of ziek bent, of onder invloed van alcohol, drugs of medicijnen verkeert. Dit heeft een negatief effect op uw

visie, alertheid, coördinatie en oordeel.

- Gebruik het product niet als het defect is.
- Wijzig dit product niet of gebruik het niet als het door anderen kan zijn gewijzigd.

Veiligheid van het werkgebied



WAARSCHUWING: Lees de volgende waarschuwingen voordat u het product gaat gebruiken.

- Verwijder objecten zoals takken, twijgen en stenen uit het werkgebied voordat u het product gaat gebruiken.
- Objecten die tegen de snijuitrusting aankomen, kunnen worden uitgeworpen en schade veroorzaken aan personen en objecten. Houd omstanders en dieren op veilige afstand van het product.
- Gebruik het product nooit in slechte weersomstandigheden zoals mist, regen, sterke wind, hevige kou of als er gevaar is voor blikseminslag. Het gebruik van dit product bij slecht weer of op vochtige of natte plaatsen is vermoeiend. Slecht weer kan leiden tot

gevaarlijke situaties zoals gladde ondergronden.

- Kijk uit voor personen, objecten en situaties die een veilig gebruik van het product kunnen verhinderen.
- Kijk uit voor obstakels zoals wortels, stenen, takjes, kuilen en greppels. Obstakels kunnen moeilijk te zien zijn door hoog gras.
- Gras maaien op hellingen kan gevaarlijk zijn. Maai niet op overmatig steile hellingen. Gebruik het product niet op een helling van meer dan 15°
- Ga uiterst behoedzaam te werk wanneer u van richting verandert op hellingen. Gebruik het product dwars over het oppervlak van hellingen. Ga niet van boven naar beneden.
- Wees voorzichtig wanneer u in de buurt komt van onoverzichtelijke bochten en voorwerpen die uw zicht kunnen belemmeren.

Werkveiligheid



WAARSCHUWING: Lees de volgende waarschuwingen voordat u het product gaat gebruiken.

- Gebruik dit product alleen om gazons te maaien. Het is niet toegestaan om het product voor andere doeleinden te gebruiken.
- Maak altijd gebruik van persoonlijke beschermingsmiddelen. Zie *Persoonlijke beschermingsuitrusting op pagina 455*.
- Zorg ervoor dat u weet hoe u de motor in een noodsituatie snel kunt stoppen.
- Gebruik het product niet in regen of natte omstandigheden. Het risico van een elektrische schok neemt toe als water het product binnendringt.
- Gebruik dit product alleen als het mes en alle afdekkingen correct zijn bevestigd. Een verkeerd bevestigd mes kan losraken en letsel veroorzaken.
- Zorg ervoor dat het mes geen voorwerpen raakt zoals stenen en wortels. Hierdoor kan het mes beschadigd raken en de motoras verbuigen. Een gebogen as veroorzaakt zware trillingen en een zeer groot risico dat het mes losraakt.
- Stop het product onmiddellijk als het mes een voorwerp wordt geraakt of als zich trillingen voordoen. Schakel de motor uit, zet de veiligheidssleutel op 0 en verwijder de accu (model LC 141iV en LC 141i) of koppel de voedingskabel los (model LC 141C). Controleer het product op schade. Repareer schade of laat een erkende servicewerkplaats de reparatie uitvoeren.
- Bevestig de motorremhendel nooit permanent aan de handgreep wanneer de motor wordt gestart.
- Plaats het product op een stabiele, vlakke ondergrond en start het. Zorg ervoor dat het mes niet in aanraking komt met de grond of andere voorwerpen.
- Blijf altijd achter het product wanneer u het gebruikt.
- Zorg dat alle wielen op de grond blijven en houd 2 handen op de handgreep tijdens de bediening van het product. Houd uw handen en voeten uit de buurt van de roterende messen.
- Kantel het product niet terwijl de motor draait.
- Wees voorzichtig wanneer u het product naar achteren trekt.
- Til het product nooit op terwijl de motor draait. Als u het

product moet optillen, schakel dan eerst de motor uit, zet de veiligheidssleutel op 0 en verwijder de accu (model LC 141iV en LC 141i) of koppel de voedingskabel los (model LC 141C).

- Loop niet achteruit wanneer u het product bedient.
- Stop de motor als u in gebieden zonder gras komt, bijvoorbeeld op paden van grind, stenen en asfalt.
- Loop niet hard met het product wanneer de motor is ingeschakeld. Loop altijd rustig wanneer u het product bedient.
- Zet de motor uit voordat u de maaihoogte wijzigt. Voer nooit afstellingen uit terwijl de motor draait.
- Houd altijd toezicht op het product wanneer de motor draait. Schakel de motor uit en zorg ervoor dat de snijuitrusting niet draait.

Veiligheidsinstructies voor bediening

Persoonlijke beschermingsuitrusting



WAARSCHUWING: Lees de volgende waarschuwingen voordat u het product gaat gebruiken.

- Persoonlijke beschermingsuitrusting kunnen niet alle risico's uitsluiten maar kunnen de ernst van eventueel letsel helpen beperken. Vraag uw dealer u te helpen bij het kiezen van de juiste beschermingsmiddelen.
- Gebruik zware antislipplaatzen of -schoenen. Draag geen open schoenen en loop niet op blote voeten.
- Draag een lange broek van stevige stof.
- Draag zo nodig beschermende handschoenen, bijvoorbeeld bij het monteren, inspecteren of reinigen van de snijuitrusting.

Veiligheidsvoorzieningen op het product



WAARSCHUWING: Lees de volgende waarschuwingen voordat u het product gaat gebruiken.

- Gebruik het product nooit wanneer de veiligheidsvoorzieningen defect zijn.
- Controleer de veiligheidsvoorzieningen regelmatig op een juiste werking. Als de veiligheidsvoorzieningen defect zijn, neem dan contact op met uw Husqvarna servicewerkplaats.

De kap van het maaidek controleren

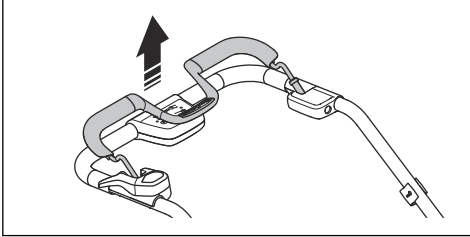
De kap van het maaidek vermindert trillingen in het product en vermindert het risico op letsel door het mes.

- Controleer de kap van het maaidek om te zien of er geen schade is, zoals barsten.

Remhendel van de motor

De remhendel van de motor stopt de motor. Als de remhendel van de motor wordt losgelaten, stopt de motor.

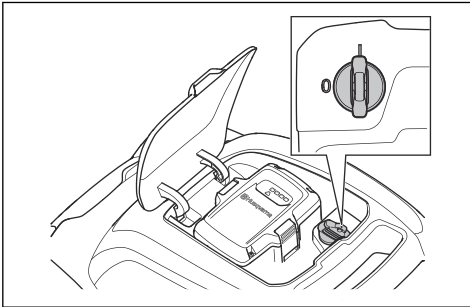
Voor een inspectie van de motorrem start u de motor en laat u de motorremhendel los. Als de motor niet binnen 3 seconden stopt, laat de motorrem dan afstellen door een erkende Husqvarna servicewerkplaats.



Veiligheidsleutel (modellen LC 141IV en LC 141I)

De veiligheidsleutel bevindt zich onder het accudeksel. De veiligheidsleutel zorgt voor verbinding met de accu die de motor van voeding voorziet.

- Start de motor en schakel die weer uit bij wijze van controle van de veiligheidsleutel.
- Als de veiligheidsleutel naar behoren werkt, start de motor alleen wanneer de sleutel in stand 1 staat.

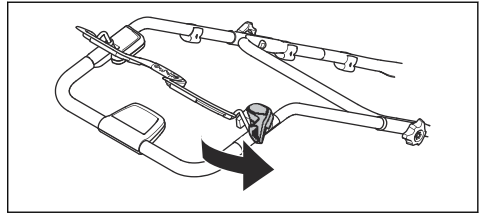


Startvergrendeling onderzoeken

Controleer de startvergrendeling om er zeker van te zijn dat deze de werking van de motor voorkomt.

1. Druk de hendel van de motorrem in de richting van de handgreep. De startvergrendeling stopt de beweging.

2. Duw de startvergrendeling naar buiten.

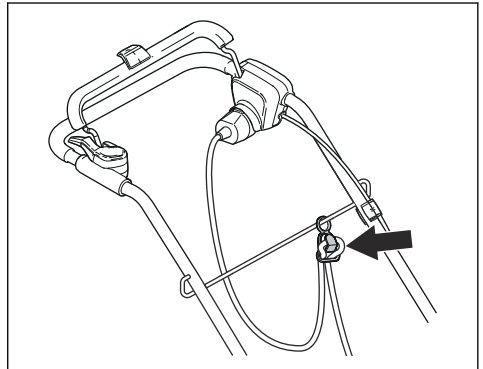


3. Laat de startvergrendeling los en controleer of deze teruggaat naar de oorspronkelijke stand.

De houder voor de voedingskabel gebruiken (model LC 141C)

De houder voor de voedingskabel vermindert de belasting op de contactdoos en de voedingskabel. De houder voor de voedingskabel verkleint ook de kans dat u valt.

1. Buig de voedingskabel in een smalle lus.
2. Plaats de lus in het gat in de houder voor de voedingskabel.
3. Leg de lus om de haak.
4. Trek aan de voedingskabel om de lus om de haak aan te halen.



Veiligheid bij accu's



WAARSCHUWING: Lees de volgende waarschuwingen voordat u het product gaat gebruiken.

- Gebruik uitsluitend oplaadbare batterijen van Husqvarna als

voedingsbron voor gerelateerde producten van Husqvarna. Gebruik de accu niet als voedingsbron voor andere apparaten, om letsel te voorkomen.

- Gebruik geen niet-oplaadbare accu's.
- Risico van elektrische schok. Breng de accuklemmen niet in contact met sleutels, munten, schroeven of ander metaal. Dit kan een kortsluiting van de accu veroorzaken.
- Plaats geen voorwerpen in de luchtspleten van de accu.
- Bescherm de accu tegen direct zonlicht, warmte of open vuur. De accu kan exploderen en brandwonden en/of chemische brandwonden veroorzaken.
- Bescherm de accu tegen regen en vocht.
- Houd de accu uit de buurt van magnetrons en hoge druk.
- Probeer de accu niet te demonteren of te slopen.
- Als er een accu lekt, zorg er dan voor dat de vloeistof niet in aanraking komt met uw huid of ogen. Als u in aanraking bent gekomen met de vloeistof, reinig het oppervlak dan met een ruime

hoeveelheid water en raadpleeg een arts.

- Gebruik de accu bij temperaturen tussen -10°C en 40°C .
- Reinig de accu of acculader nooit met water. Zie *Accu en acculader reinigen op pagina 468*.
- Gebruik geen defecte of beschadigde accu.
- Sla accu's op uit de buurt van metalen voorwerpen, bijvoorbeeld spijkers, munten en sieraden.

Veiligheidsvoorschriften voor acculader



WAARSCHUWING: Lees de volgende waarschuwingen voordat u het product gaat gebruiken.

- Gebruik de QC-acculaders uitsluitend om vervangende accu's van Husqvarna op te laden.
- Gevaar voor elektrische schokken en kortsluiting. Plaats geen voorwerpen in de luchtspleten van de oplader. Probeer de acculader niet te demonteren. Verbind de laadcontacten niet met metalen objecten. Gebruik een

goedgekeurde wandcontactdoos.

- Dit product produceert tijdens bedrijf een elektromagnetisch veld. Dit veld kan onder bepaalde omstandigheden de werking van actieve of passieve medische implantaten verstoren. Om het risico op ernstig of fataal letsel te beperken, raden we personen met een medisch implantaat aan om contact op te nemen met hun arts en de fabrikant van het medische implantaat voordat ze dit product gaan bedienen.
- Controleer regelmatig of de voedingskabel van de acculader niet beschadigd of gescheurd is.
- Til de acculader niet op aan de voedingskabel. Trek aan de stekker om de acculader uit de wandcontactdoos te halen. Trek niet aan de voedingskabel.
- Houd de voedingskabel en de verlengsnoeren uit de buurt van water, olie en scherpe randen. Let op dat de kabel niet bekneld raakt tussen deuren, hekken e.d. Anders kan de lader onder spanning komen te staan.
- Reinig de acculader nooit met water.
- De acculader kan worden gebruikt door kinderen vanaf 8 jaar en ouder en andere personen die ondanks hun fysieke, sensorische of geestelijke handicap of gebrek aan ervaring en kennis onder toezicht of instructie van een verantwoordelijke persoon in staat zijn veilig gebruik te maken van de acculader en op de hoogte zijn van alle gevaren. Kinderen mogen niet spelen met de acculader. Kinderen mogen het apparaat niet zonder toezicht reinigen of onderhouden.
- Laad niet-oplaadbare accu's niet op in de acculader.
- Gebruik de acculader niet in de buurt van brandbare materialen of materialen die corrosie kunnen veroorzaken. Dek de acculader niet af. Haal de stekker van de acculader uit de wandcontactdoos bij rookontwikkeling of brand.
- Gebruik geen defecte of beschadigde acculader.
- De accu mag alleen binnenshuis worden opgeladen op een plek met voldoende ventilatie en zonder direct zonlicht. Laad de accu

niet op in vochtige omstandigheden.

Veiligheid voedingskabel

Voor model LC 141C.

- Het gebruik van een overstroombeveiliging met een afschakelstroom van 30 mA of minder wordt aanbevolen. Zelfs met een overstroombeveiliging is 100% veiligheid niet gegarandeerd en moet er altijd veilig worden gewerkt. Controleer uw overstroombeveiliging telkens als u deze gebruikt.
- Koppel het apparaat onmiddellijk los van het stroomnet als de voedingskabel doorgesneden is of als de isolatie beschadigd is.
- Raak een doorgesneden of beschadigde voedingskabel niet aan totdat de stroomtoevoer is uitgeschakeld.
- Repareer een doorgesneden of beschadigde voedingskabel niet. Vervang deze door een nieuwe kabel.

Veiligheidsinstructies voor onderhoud



WAARSCHUWING: Lees de volgende waarschuwingen voordat u het product gaat gebruiken.

- Voor model LC 141iV, LC 141i: Om te voorkomen dat

het product tijdens onderhoud per ongeluk wordt gestart, draait u de veiligheidssleutel naar 0 en verwijdert u de accu. Wacht minstens 5 seconden voordat u begint met het onderhoud.

- Voor model LC 141C: Koppel de voedingskabel los tijdens het onderhoud om onbedoeld starten te voorkomen.
- Voer de onderhoudswerkzaamheden naar behoren uit om de levensduur van het product te verlengen en het risico op ongevallen te verlagen. Laat professionele reparaties uitvoeren door een erkende servicewerkplaats. Neem contact op met uw dichtstbijzijnde servicewerkplaats voor meer informatie.
- Voer alleen onderhoudswerkzaamheden uit zoals beschreven in deze bedieningshandleiding. Verdergaande werkzaamheden moeten door een erkende servicewerkplaats worden uitgevoerd.
- Draag handschoenen voor zwaar gebruik wanneer u de snijuitrusting hanteert. Het mes is zeer scherp en kan

gemakkelijk snijwonden veroorzaken.

- Houd de snijkanten scherp en schoon voor optimale prestaties en veiligheid.
- Laat het product regelmatig controleren door uw servicewerkplaats en laat noodzakelijke aanpassingen en reparaties uitvoeren.
- Vervang beschadigde, versleten of defecte onderdelen.
- Volg de instructies voor het vervangen van accessoires.

Gebruik alleen accessoires van de fabrikant.

- Houd het product, de accu en de acculader, wanneer deze niet in gebruik zijn, apart in een droge, afgesloten locatie binnenshuis. Zorg dat kinderen en niet-geautoriseerde personen geen toegang hebben tot het product, de accu of de acculader.

Montage

Inleiding



WAARSCHUWING: Lees het hoofdstuk over veiligheid voordat u het product monteert.

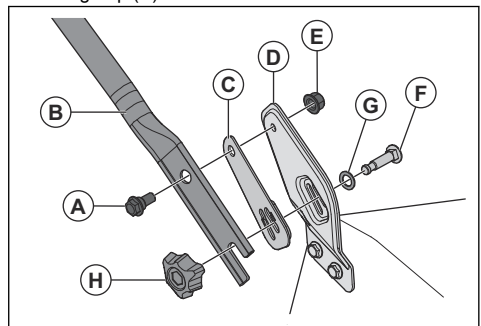


WAARSCHUWING: Voor model LC 141iV, LC 141i: Voorkom onbedoeld starten tijdens de montage door de veiligheidssleutel op 0 te zetten, de accu te verwijderen en ten minste 5 seconden te wachten.

Voor model LC 141C: Koppel de voedingskabel los tijdens de montage om onbedoeld starten te voorkomen.

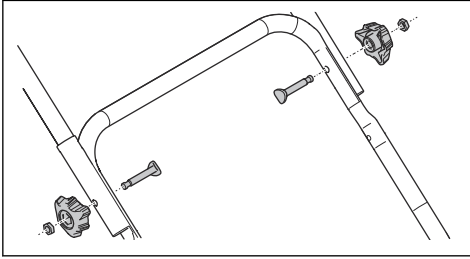
Handel monteren

1. Duw de schroef (A) door de handgreep (B), de kunststof ring (C) en de steunbeugel van de handgreep (D).

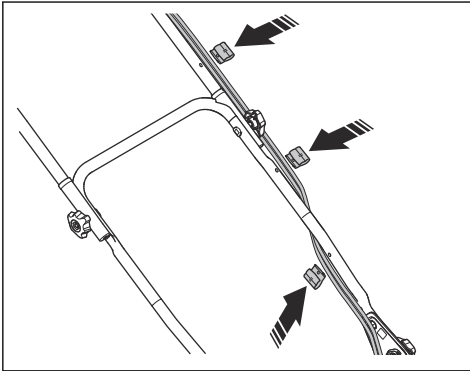


2. Draai de moer (E) volledig vast.
3. Duw de schroef (F) door de ring (G) en de steunbeugel van de handgreep.
4. Draai de knop (H) volledig vast.

- Lijn de gaten in de handgreep uit met de openingen in de onderste hendel en breng de schroeven, sluitringen en knoppen aan. Draai de knoppen volledig vast.

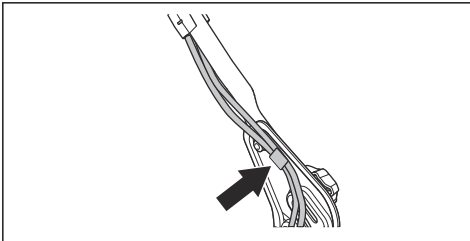


- Bevestig de kabels aan de handgreep met behulp van de kabelhouders.



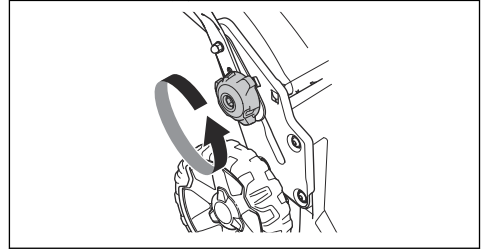
Let op: Zorg ervoor dat de kabels niet te strak gespannen staan. Een kabel die te strak gespannen staat, kan beschadigd raken als de handgreep in de transportstand wordt geklapt.

- Leid de kabels om de haak onder aan de handgreep.

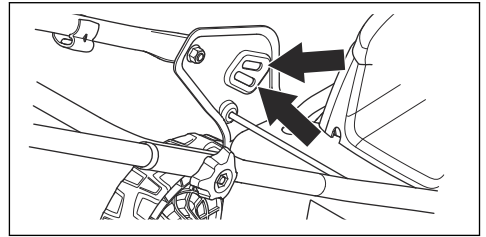


Hoogte van de hendel afstellen

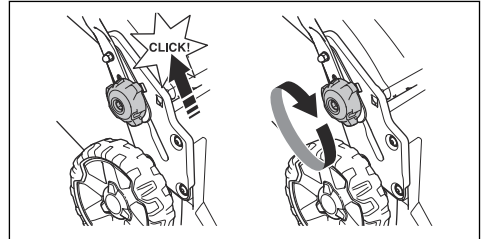
- Draai de onderste knoppen los.



- Verwijder de knop, de ring en de schroef aan de linker- en rechterkant.
- De handgreep kan op 2 verschillende hoogten worden ingesteld. Plaats de schroef in één van de 2 gaten aan de linker- en rechterkant.

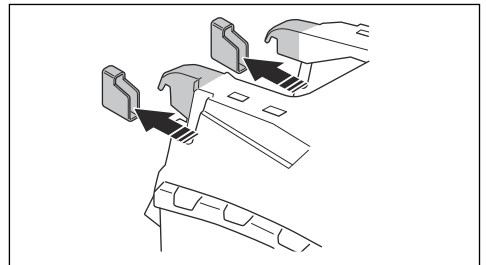


- Breng de schroeven, sluitringen en knoppen aan.
- Beweeg de knoppen omhoog naar de handgreep tot de aanslag en u een klik hoort. Draai de knoppen volledig vast.

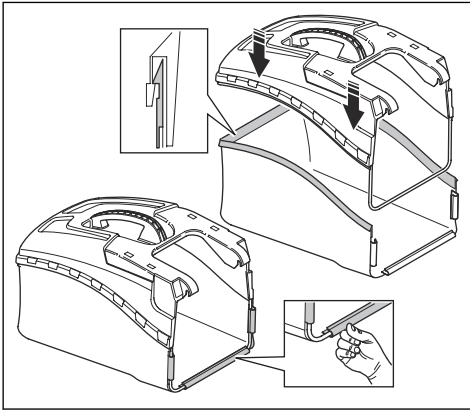


Grasopvangbak monteren

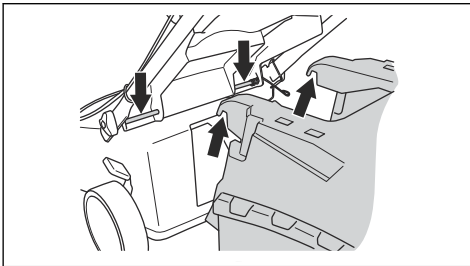
- Duw de 2 transportafschermingen naar buiten en naar beneden.



2. Bevestig het bovenste deel van de grasopvangbak aan het onderste deel van de grasopvangbak. Bevestig het frame van de grasopvangbak met de klemmen.

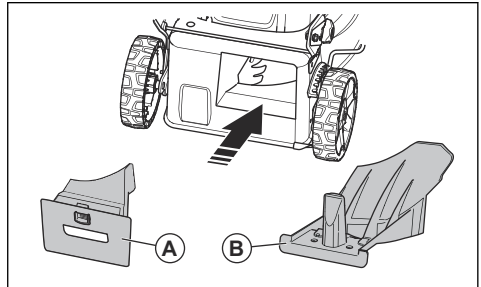


3. Til de achterklep op.
4. Bevestig de haken op de grasopvangbak aan de bovenrand van het chassis.



Mulchkit monteren

1. Til de achterklep op en verwijder de grasopvangbak.
2. Steek de mulchplug in het grasuitwerpkanaal. Mulchplug type A is voor LC 141i en LC 141C. Type B is voor LC 141iV.



3. Sluit de achterste afscherming.
4. Vervang het mes door het combimes, zie *Mes verwijderen en vervangen op pagina 469*.

Werking

Inleiding



WAARSCHUWING: Voordat u het product gaat gebruiken, dient u het hoofdstuk over veiligheid te lezen en hebben begrepen.

Husqvarna Connect

Husqvarna Connect is een gratis app voor uw mobiele apparaat. De Husqvarna Connect-app biedt uitgebreide functies voor uw Husqvarna-product:

- Uitgebreide productinformatie.
- Informatie over, en hulp bij, onderdelen en onderhoud van uw product.

Husqvarna Connect gebruiken

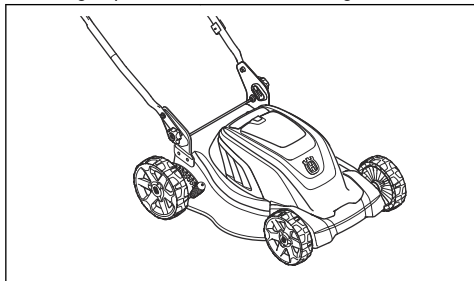
1. Download de Husqvarna Connect-app op uw mobiele apparaat.

2. Registreer in de Husqvarna Connect-app.
3. Volg de instructies in de Husqvarna Connect-app om verbinding te maken met het product en dit te registreren.

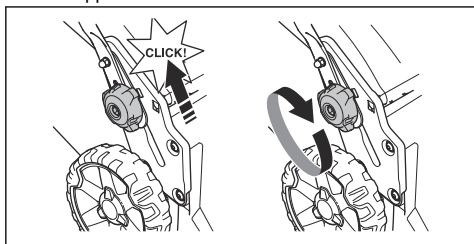
Product in de werkstand zetten

Als de handgreep in de transport- en opbergstand is gezet (zie *Product in de transportstand zetten op pagina 471*), volg dan onderstaande procedure om de hendel in de werkstand te zetten.

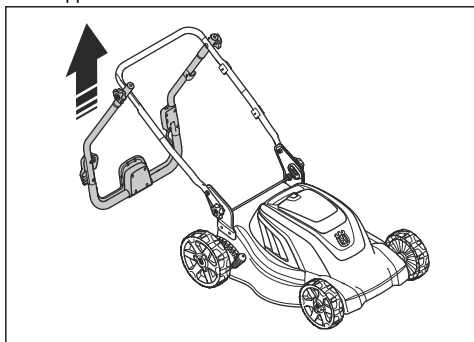
1. Til de handgreep omhoog totdat de onderste handgreep in de werkstand wordt vergrendeld.



2. Beweeg de onderste knoppen naar de handgreep tot ze stoppen en u een klik hoort.



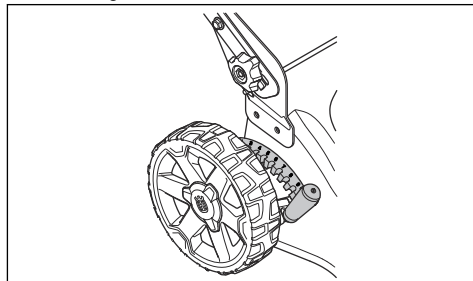
3. Draai de knoppen vast.
4. Til de bovenste handgreep omhoog en draai de knoppen vast.



Maaihoogte afstellen

1. Breng de maaihoogtehendel naar achteren om de maaihoogte te vergroten.

2. Breng de maaihoogtehendel naar voren om de maaihoogte te verkleinen.



OPGELET: Stel de maaihoogte niet te laag in. Als het oppervlak van het gazon niet waterpas is, kunnen de messen de grond raken.

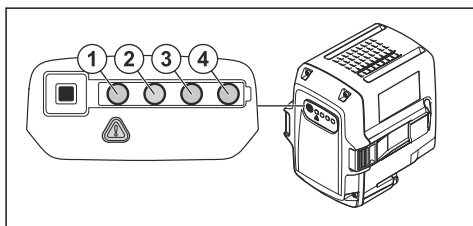
Accu



WAARSCHUWING: Voordat u het product gebruikt, dient u het hoofdstuk over veiligheid te lezen en hebben begrepen. Zorg er ook voor dat u de bedieningshandleiding bij de accu en de acculader hebt gelezen en begrepen.

Accustatus

Het display geeft de resterende accucapaciteit aan en geeft aan of er problemen zijn met de accu. De accucapaciteit wordt gedurende 5 seconden nadat het product is uitgeschakeld, weergegeven na het indrukken van de accu-indicatorknop. Het waarschuwingssymbool op de accu gaat branden als er een fout is opgetreden. Zie *Accu op pagina 469*.



LED-lampjes	Accustatus
Alle leds branden	Volledig opgeladen (75-100%)
Led 1, led 2, led 3 branden	De accu is 50%-75% opgeladen
Led 1, led 2 branden	De accu is 25%-50% opgeladen

LED-lampjes	Accustatus
Led 1 brandt	De accu is 0%-25% opgeladen.
LED 1 knippert	De accu is leeg. Laad de accu op.

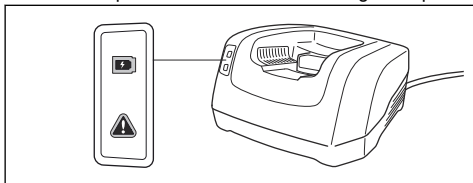
De accu opladen

Laad de accu voor het eerste gebruik op. De accu is slechts 30% opgeladen wanneer deze aan de klant wordt geleverd.

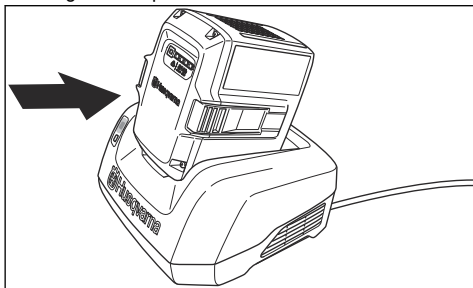
Let op: De acculader moet worden aangesloten op de spanning en frequentie die overeenkomen met de specificaties op het productplaatje.

De accu wordt niet opgeladen als de accutemperatuur hoger is dan 50°C. De acculader verlaagt de temperatuur van de accu voordat deze begint te laden.

1. Sluit een uiteinde van de voedingskabel voor de acculader aan op de aansluiting van de acculader.
2. Sluit het andere uiteinde van de voedingskabel van de acculader aan op een geaarde wandcontactdoos. De LED op de acculader licht eenmaal groen op.



3. Plaats de accu in de acculader. Het groene lampje op de lader gaat branden wanneer de accu correct is aangesloten op de acculader.



4. Wanneer alle LED's op de accu branden, is de accu volledig opgeladen. Laad de accu max. 24 uur op.
5. Om de acculader uit de wandcontactdoos los te koppelen, dient u aan de stekker, niet aan de kabel te trekken.
6. Haal de accu uit de acculader.

Acculaadstatus

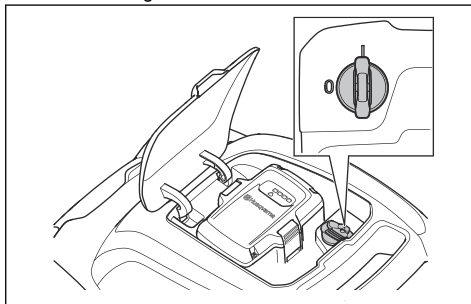
Een Li-ionaccu van Husqvarna kan worden opgeladen en gebruikt bij alle laadniveaus. De accu wordt niet beschadigd. Een volledig opgeladen accu zal geen lading verliezen, zelfs niet wanneer de accu in de lader blijft staan.

LED-display	Laadstatus
LED 1 knippert	0%-25%
Led 1 brandt, led 2 knippert	25%-50%
Led 1 en led 2 branden, led 3 knippert	50%-75%
Led 1, led 2 en led 3 branden, led 4 knippert	75%-100%
Led 1, led 2, led 3, led 4 branden	Volledig opgeladen

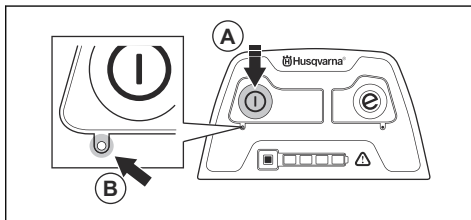
LC 141iV En LC 141i gebruiken

Product starten

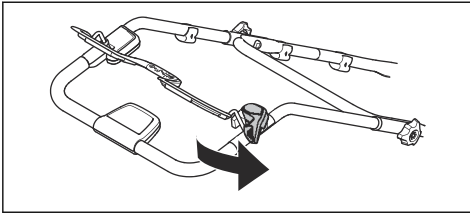
1. Plaats een opgeladen accu in het accucompartiment.
2. Draai de veiligheidssleutel naar 1.



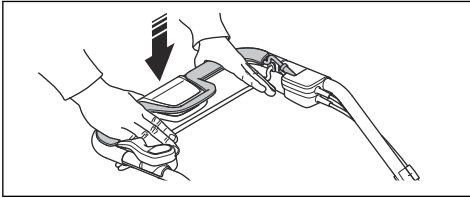
3. Blijf achter het product.
4. Druk op de AAN/UIT-knop (A) op het bedieningspaneel en de groene LED (B) gaat branden.



5. Maak de startvergrendeling los.

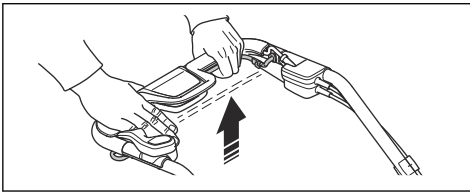


6. Druk de hendel van de motorrem in de richting van de handgreep.

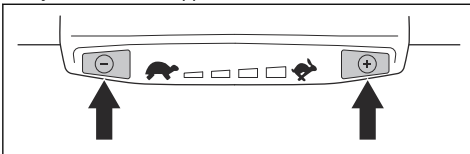


De aandrijving op de wielen gebruiken

- Model LC 141iV. Trek de aandrijfhendel in de richting van de handgreep om de aandrijving te starten.



- Druk op + en - op het bedieningspaneel om de rijsnelheid in 4 stappen in te stellen.

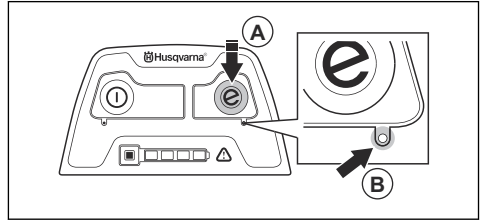


- Laat de aandrijfhendel los om de aandrijving uit te schakelen, bijvoorbeeld wanneer u bij een obstakel komt.

De functie SavE gebruiken

Het product heeft een accubesparingsfunctie (SavE) die voor een langere bedrijfstijd zorgt.

1. Druk op de knop SavE (A) om de functie te starten. De groene LED gaat branden.



2. Druk nogmaals op de knop SavE om de functie uit te schakelen. De groene LED (B) gaat uit.

De functie SavE stopt automatisch als de bodemgesteldheid een hoger vermogen vereist. De functie SavE start automatisch als de bodemgesteldheid dit toelaat.

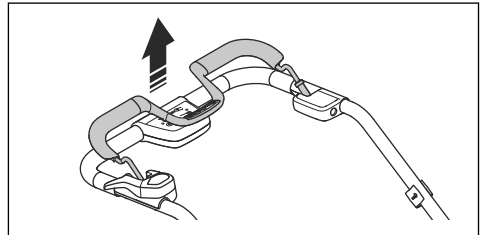
Functie voor hoge belasting

Als het product lang of vochtig gras maait, verhoogt de motor automatisch het toerental. De motor gaat terug naar de standaardmodus wanneer een hoge belasting niet noodzakelijk is.

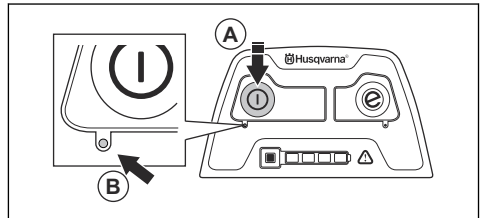
Product stoppen

Het product stopt automatisch als het 10 minuten niet wordt bediend. Zet altijd de beveiligingssleutel op 0 wanneer u geen toezicht houdt op het product.

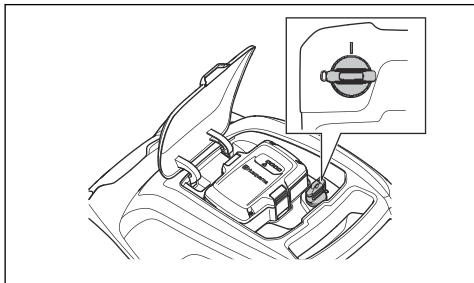
1. Laat de remhendel van de motor los om de motor te stoppen.



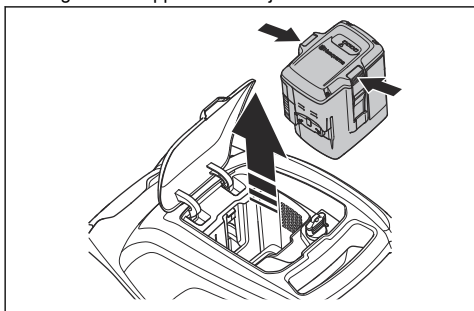
2. Houd de AAN/UIT-knop (A) op het bedieningspaneel ingedrukt totdat de groene LED (B) uitgaat.



- Open het accudeksel en zet de veiligheidssleutel in de stand 0.



- Om de accu te verwijderen, drukt u op de 2 ontgrendelknoppen en verwijdert u de accu.



- Laad de accu op wanneer deze zwak is. Voor meer informatie zie *De accu opladen op pagina 464*.

LC 141C gebruiken

Goedgekeurde kabel selecteren (LC 141C)

Let op: Gebruik voor de Engelse markt alleen de 16M-verlengkabel die bij het product wordt geleverd. Raadpleeg voor alle andere markten de informatie hieronder.

Als er verlengkabels worden gebruikt, moeten deze voldoen aan de minimale dwarsdoornedes die vermeld zijn in de onderstaande tabel:

Spanning	Kabellengte	Dwarsdoorsnede
220-240 V/50Hz	Maximaal 20 m	1,5 mm ²
220-240 V/50Hz	20–50 m	2,5 mm ²

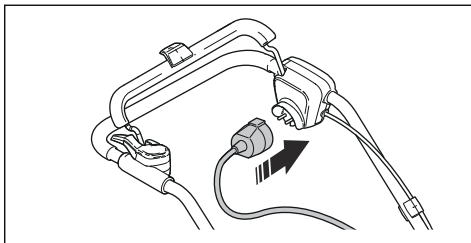
- Netspanningskabels en verlengkabels zijn verkrijgbaar bij uw dichtstbijzijnde erkende servicewerkplaats voor producten van Husqvarna voor buitengebruik.
- Gebruik alleen verlengkabels die speciaal ontworpen zijn voor buitengebruik en die voldoen aan een van

de volgende specificaties: Gewoon rubber (60245 IEC 53), gewoon PVC (60227 IEC 53) of gewoon PCP (60245 IEC 57)

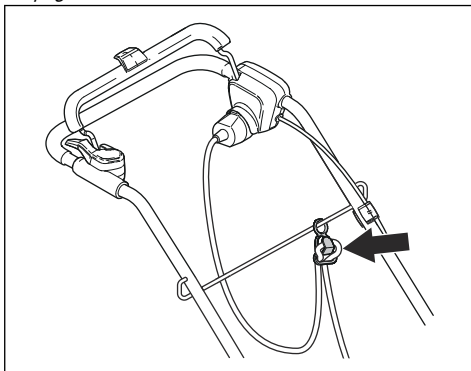
- Als de kabel is beschadigd, moet deze om gevaar te vermijden worden vervangen door de fabrikant, de servicewerkplaats van de fabrikant of een gelijkwaardig gekwalificeerde persoon.

Product starten

- Sluit een voedingskabel aan op de contactdoos onder de hendel.

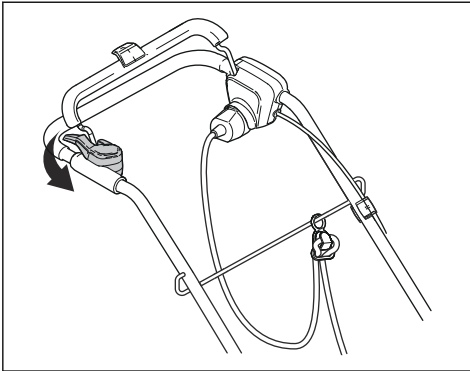


- Breng de voedingskabel in de houder voor de voedingskabel aan. Zie *De houder voor de voedingskabel gebruiken (model LC 141C) op pagina 456*.

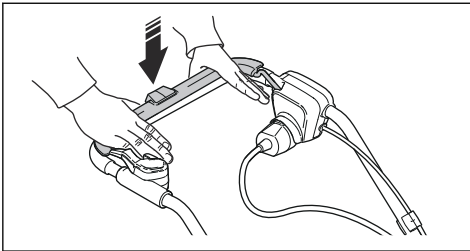


- Blijf achter het product.

4. Maak de startvergrendeling los.

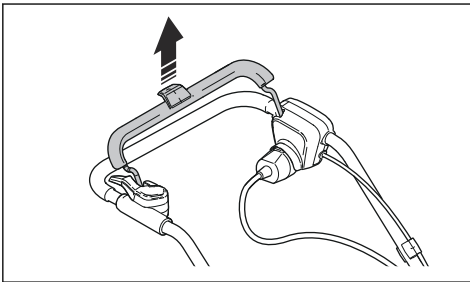


5. Druk de hendel van de motorrem in de richting van de handgreep.

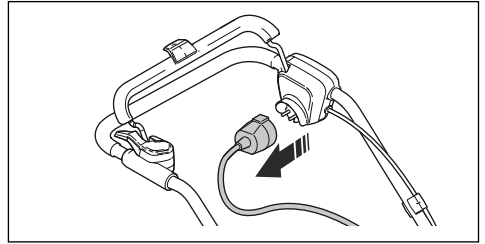


Product stoppen

1. Laat de remhendel van de motor los om de motor te stoppen.



2. Koppel de voedingskabel los van het stroomnet en daarna van het product.



OPGELET: Trek de stekker er recht uit. Trek niet aan de voedingskabel.

Een goed resultaat verkrijgen

- Gebruik altijd een scherp mes. Een bot mes geeft een onregelmatig resultaat en het snijvlak van het gras wordt geel. Een scherp mes verbruikt ook minder energie dan een bot mes.
- Maai nooit meer dan 1/3e van de lengte van het gras af. Maai eerst met een hoog ingestelde maaahoogte. Controleer het resultaat en verlaag de snijhoogte tot een geschikt niveau. Als het gras echt lang is, rijd dan langzaam en maai zo nodig 2 keer.
- Maai elke keer in een andere richting, om het ontstaan van strepen in het gazon te voorkomen.

Onderhoud

Inleiding



WAARSCHUWING: Voordat u onderhoud gaat uitvoeren, dient u het hoofdstuk over veiligheid te lezen en hebben begrepen.

Voor alle onderhouds- en reparatiewerkzaamheden aan het product is speciale training nodig. Wij garanderen de beschikbaarheid van professionele reparaties en

onderhoud. Indien uw dealer geen servicewerkplaats heeft, vraag hem dan naar de dichtstbijzijnde servicewerkplaats.

Onderhoudsschema

De onderhoudsintervallen worden berekend op basis van het dagelijks gebruik van het product. De intervallen veranderen als het product niet dagelijks wordt gebruikt.

Voor onderhoud dat is gemarkeerd met *, zie
Veiligheidsvoorzieningen op het product op pagina 455.

LC 141iV, LC 141i en LC 141C	Elk gebruik	Maandelijks	Elk seizoen
Voer een algemene inspectie uit.	X		
Reinig het product.	X		
Controleer de startvergrendeling *.	X		
Controleer of de veiligheidsvoorzieningen op het product in orde zijn *.	X		
Controleer de snijuitrusting.	X		
Controleer de afdekking van het maaidek *.	X		
Controleer de remhendel van de motor *.	X		

Alleen LC 141iV en LC 141i	Elk gebruik	Maandelijks	Elk seizoen
Zorg dat de AAN/UIT-knop naar behoren werkt en in orde is.	X		
Controleer de accu op beschadigingen.	X		
Controleer het laadniveau van de accu.	X		
Controleer of de ontgrendelknoppen op de accu naar behoren werken en de accu in het product wordt vergrendeld.	X		
Controleer de acculader op beschadiging en zorg dat deze naar behoren werkt.		X	
Controleer de verbindingen tussen de accu en het product. Controleer ook de verbinding tussen de accu en de acculader.			X

Algemene inspectie uitvoeren

- Controleer of de moeren en schroeven op het product goed zijn vastgedraaid.
- Zorg dat de kabels van het product zich in een positie vinden waarin ze niet beschadigd kunnen raken.

Product reinigen

- Reinig de kunststof onderdelen met een schone en droge doek.
- Gebruik geen water om het product te reinigen. Water kan de accu of de motor binnendringen en kortsluiting of schade aan het product veroorzaken.
- Reinig het product niet met een hogedrukspuit.
- Laat nooit water rechtstreeks op de motor stromen.
- Gebruik een borstel om bladeren, gras en vuil te verwijderen.

Accu en acculader reinigen



OPGELET: Reinig de accu of acculader nooit met water.

- Zorg ervoor dat de accu en de acculader schoon en droog zijn voordat u de accu in de acculader plaatst.
- Reinig de accupolen met perslucht of gebruik een zachte en droge doek.
- Reinig de oppervlakken van de accu en de acculader met een zachte en droge doek.

Snijuitrusting controleren



WAARSCHUWING: Voor modellen LC 141iV en LC 141i: Voorkom onbedoeld starten door de veiligheids sleutel op 0 te zetten, de accu te verwijderen en ten minste 5 seconden te wachten.

Voor model LC 141C: Koppel de voedingskabel los om onbedoeld starten te voorkomen.



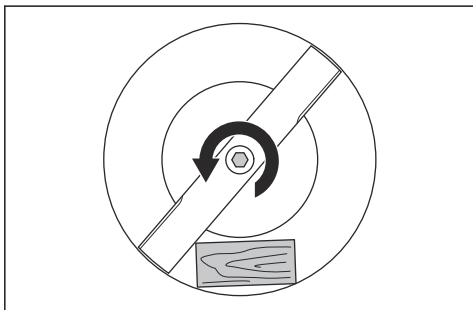
WAARSCHUWING: Draag beschermende handschoenen wanneer u onderhoud aan de snijuitrusting uitvoert. Het mes is zeer scherp en kan gemakkelijk snijwonden veroorzaken.

1. Controleer de snijuitrusting op beschadiging of scheuren. Vervang beschadigde snijuitrusting altijd.
2. Kijk naar het mes om te zien of dit is beschadigd of bot is.

Let op: Het mes moet na het slijpen worden gebalanceerd. Laat het slijpen, vervangen en balanceren door een servicecentrum uitvoeren. Als u een obstakel raakt waardoor het product stopt, vervang dan het beschadigde mes. Laat het servicecentrum beoordelen of het mes kan worden geslepen of moet worden vervangen.

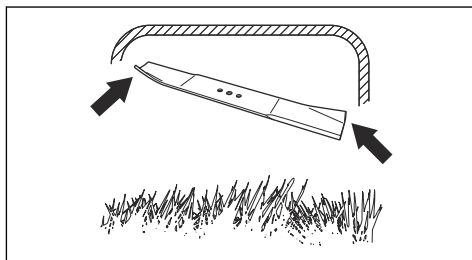
Mes verwijderen en vervangen

1. Zet het mes vast met een houten blok.

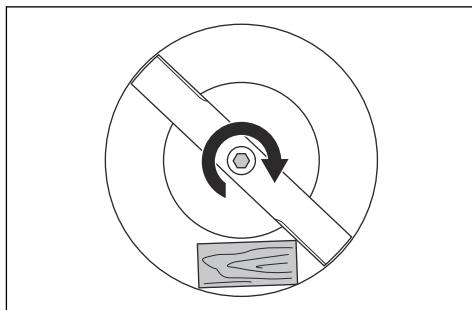


2. Verwijder de mesbout.
3. Verwijder het mes.
4. Controleer de messteun en de mesbout om te zien of er schade is.
5. Controleer de motoras om te controleren of deze niet is verbogen.

6. Wanneer u het nieuwe mes bevestigt, richt dan de gebogen uiteinden van het mes naar de kap van het maai dek.



7. Controleer of het mes is uitgelijnd met het midden van de motoras.
8. Zet het mes vast met een houten blok. Bevestig de veerring en draai de bout en ring vast met een aanhaalmoment van 20 Nm.



9. Draai het mes met de hand rond en controleer of het vrij draait.



WAARSCHUWING: Draag handschoenen van dikke stof. Het mes is zeer scherp en kan gemakkelijk snijwonden veroorzaken.

10. Start het product om het mes te testen. Als het mes niet goed is bevestigd, zijn er trillingen in het product of is het maairesultaat niet goed.

Probleemoplossing

Accu

LED op de accu	Oorzaak	Oplossing
De groene led knippert.	De accuspanning is laag.	Laad de accu op. Zie <i>De accu opladen op pagina 464</i> .

LED op de accu	Oorzaak	Oplossing
De fout-led knippert.	De accu is zwak.	Laad de accu op. Zie <i>De accu opladen op pagina 464</i> .
	De temperatuur in de werkomgeving is te hoog of te laag.	Gebruik de accu bij temperaturen tussen -10 °C en 40 °C.
	Overspanning.	Controleer of de netspanning overeenkomt met de spanning die is aangegeven op het typeplaatje op het product. Haal de accu uit de acculader. Wacht 5 seconden en probeer de accu opnieuw op te laden. Indien het probleem zich blijft voordoen, neem dan contact op met een erkende servicewerkplaats.
De fout-led brandt.	Het celverschil is te groot (1 V).	Neem contact op met een erkende servicewerkplaats.

Acculader

LED op de acculader	Oorzaak	Oplossing
De fout-led knippert.	De temperatuur in de werkomgeving is te hoog of te laag.	Gebruik de acculader bij temperaturen tussen 5 °C en 40 °C.
De fout-led brandt.		Neem contact op met een erkende servicewerkplaats.

Bedieningspaneel

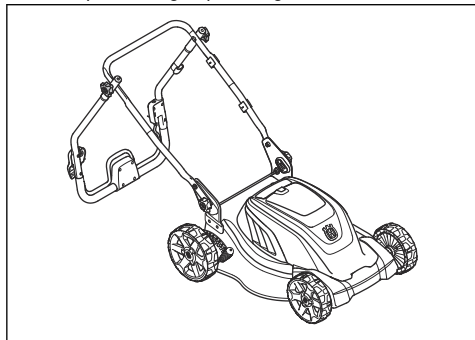
Neem bij problemen die niet in dit hoofdstuk worden vermeld, contact op met uw servicewerkplaats.

Toetsenbord	Mogelijke fouten	Mogelijke actie
De fout-LED knippert	De motor is overbelast	Vergroot de maaihoogte. Zie <i>Maaihoogte afstellen op pagina 463</i> .
	Het motortoerental daalt te veel en de motor stopt	
	De motorregeling is te warm	Stop de motor en wacht tot hij is afgekoeld
	Het mes is geblokkeerd	Voorkom onbedoeld starten door de veiligheids-sleutel op 0 te zetten, de accu te verwijderen en ten minste 5 seconden te wachten. Zorg ervoor dat het blad vrij kan draaien. Indien het probleem zich blijft voordoen, neem dan contact op met een erkende servicewerkplaats
	Accufout of geen signaal van de accu	Plaats de accu correct in het product en controleer de accuconnector. Als de fout-LED op de accu knippert, zie <i>Accu op pagina 469</i> .
Het product stopt	De accu is zwak	Laad de accu op. Zie <i>De accu opladen op pagina 464</i> .
	Storing accuconnector	Controleer de accuconnector

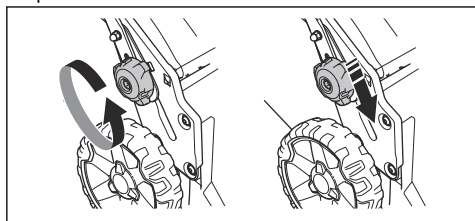
Vervoer, opslag en verwerking

Product in de transportstand zetten

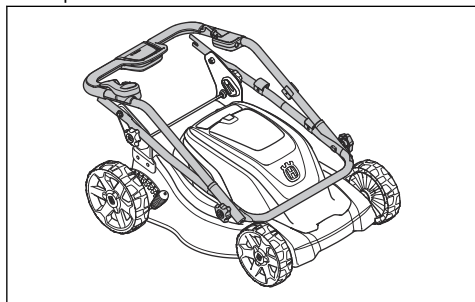
1. Verwijder de grasopvangbak (indien deze is geïnstalleerd).
2. Draai de knoppen van de bovenste handgreep los en klap de handgreep omlaag.



3. Draai de onderste knoppen los.
4. Beweeg de knoppen naar het onderste uiteinde van de sleuven aan de linker- en rechterzijde van het product.



5. Klap de hendel naar voren.



Transport

- De wettelijke vereisten voor gevaarlijke stoffen zijn van toepassing voor de Li-ion-accu's die in het product zitten.

- Voor commercieel transport moet aan speciale vereisten voor de verpakking en labels worden voldaan.
- Zorg dat u de regels voor gevaarlijke materialen in acht neemt bij het voorbereiden van het product voor transport. Er kunnen lokale voorschriften van toepassing zijn.
- Verwijder voor transport altijd de accu.
- Plaats tape op de accuconnectors en zorg ervoor dat de accu niet kan bewegen tijdens transport.
- Zet het product vast tijdens transport.

Opslag

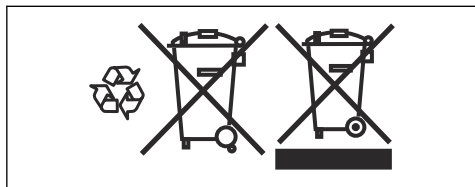
- Verwijder voor opslag altijd de accu.
- Om ongevallen te voorkomen, dient u ervoor te zorgen dat de accu tijdens opslag niet op het product is aangesloten.
- Bewaar de acculader in een afgesloten en droge ruimte.
- Bewaar de accu en de acculader op een droge, vocht- en vorstvrije plaats.
- Koppel de accu tijdens opslag los van de accu.
- Bewaar de accu niet op plaatsen waar statische elektriciteit aanwezig is. Bewaar de accu niet in een metalen doos.
- Bewaar de accu bij een temperatuur tussen 5 °C en 25 °C en nooit in direct zonlicht.
- Bewaar de acculader bij een temperatuur tussen 5 °C en 45 °C en nooit in direct zonlicht.
- Zorg ervoor dat de accu tussen de 30% en 50% is opgeladen alvorens langdurige opslag.
- Bewaar het product, de accu en de acculader in een afgesloten ruimte, buiten bereik van kinderen en onbevoegden.
- Reinig het product en voer een volledige onderhoudsbeurt uit voordat u het product voor langere tijd opslaat.

Afvoeren

Symbolen op het product of op de verpakking van het product geven aan dat dit product niet beschouwd kan worden als huishoudelijk afval. Het moet worden ingeleverd bij een geschikt inzamelstation voor het terugwinnen van elektrische en elektronische apparatuur.

Als u ervoor zorgt dat dit product goed wordt verwerkt, helpt u mogelijk negatieve gevolgen voor het milieu en mensen door verkeerd afvalbeheer van dit product tegen te gaan. Neem voor meer informatie over het recyclen van dit product contact op met de gemeente,

het afvalverwerkingsbedrijf of de winkel waar u het product hebt gekocht.



Technische gegevens

Technische gegevens LC 141iV, LC 141i

	LC 141iV	LC 141i
Maaimotor		
Motor type	BLDC (borstelloos) 36 V	BLDC (borstelloos) 36 V
Motor toerental – SavE, tpm	2700	2700
Motor toerental – nominaal, tpm	3100	3100
Motor toerental – hoge belasting, tpm	3700	3700
Uitgangsvermogen motor – max. kW	0,8	0,8
Uitgangsvermogen motor – nominaal, kW	0,55	0,55
Aandrijfmotor		
Uitgangsvermogen motor – nominaal, kW	0,25	N.v.t.
Loopsnelheid, km/h	3,0–4,5	N.v.t.
Afstelniveaus voor snelheid	4	N.v.t.
Gewicht		
Gewicht zonder accu, kg	21,5	18,6
Accu ¹¹³		
Type accu	Accuserie Husqvarna	Accuserie Husqvarna
Gebruiksduur accu		
Gebruiksduur accu, min, (onbelast gebruik) met SavE geactiveerd, met één Husqvarna 5,2 Ah-accu. (BLi200).	77	77
Gebruiksduur accu, min, (onbelast gebruik) met standaardmodus geactiveerd, met één Husqvarna 5,2 Ah-accu (BLi200).	45	45
Geluidsemissies ¹¹⁴		
Geluidsvermogensniveau, gemeten dB(A)	88	88
Geluidsvermogensniveau, gegarandeerd L _{WA} dB (A)	89	89

¹¹³ Voor het beste resultaat en de beste werking wordt de Husqvarna-accu BLi200 geadviseerd.

¹¹⁴ Geluidsemissie naar de omgeving gemeten als geluidsvermogen (L_{WA}) volgens EG-richtlijn 2000/14/EG.

	LC 141iV	LC 141i
Geluidsniveau ¹¹⁵		
Geluidsdrukniveau bij het oor van de gebruiker, dB(A)	83	83
Trillingsniveau ¹¹⁶		
Handgreep, m/s ²	2.0	2.0
Maalen		
Maaihoogte, mm	25–70	25–70
Maai breedte, cm	41	41
Mes, artikelnummer	Verzamelen - 5011716-01	Verzamelen - 5011716-01
Inhoud opvangzak, liter	50	50

Goedgekeurde accu's	Merk	Type	Accucapaciteit, Ah	Spanning, V	Gewicht, lb/kg
BLi10	Husqvarna	Lithium-ion	2,0	36	1,8/0,8
BLi100	Husqvarna	Lithium-ion	2,6	36	1,9/0,8
BLi20	Husqvarna	Lithium-ion	4,0	36	2,7/1,2
BLi200	Husqvarna	Lithium-ion	5,2	36	2,8/1,3
BLi300	Husqvarna	Lithium-ion	9,4	36	4,1/1,9

Goedgekeurde laders voor de gespecificeerde accu's,	Merk	Ingangsspanning, V	Frequentie, Hz	Vermogen, W
QC80	Husqvarna	100-240	50-60	80
QC80F	Husqvarna	12	0	80
QC250	Husqvarna	220-240	50	250
QC330	Husqvarna	100-240	50-60	330
QC500	Husqvarna	100-240	50-60	500

Technische gegevens LC 141C

	LC 141C
Motor	
Motor type	Motor van AC-serie

¹¹⁵ De gerapporteerde gegevens voor het geluidsdrukniveau vertonen een typische statistische spreiding (standaardafwijking) van 1,2 dB (A).

¹¹⁶ De gerapporteerde gegevens voor een trillingsniveau vertonen een typische statistische spreiding (standaardafwijking) van 0,2 m/s².

	LC 141C
Motortoerental – nominaal, tpm	3200
Vermogen	1800 W
Stroombron	Elektrisch met voedingskabel
Voedingskabel (alleen meegeleverd voor de Engelse markt)	
Type kabel	16M-verlengkabel
Gewicht, kg	1,6
Gewicht	
Gewicht, kg	20,4
Geluidsemissies ¹¹⁷	
Geluidsvermogeniveau, gemeten dB(A)	93
Geluidsvermogeniveau, gegarandeerd L _{WA} dB (A)	95
Geluidsniveau ¹¹⁸	
Geluidsdrukniveau bij het oor van de gebruiker, dB(A)	85
Trillingsniveau ¹¹⁹	
Handgreep, m/s ²	2,0
Maaien	
Maaihogte, mm	25–70
Maaibreedte, cm	41
Mes, artikelnummer	Collect 5011716-01
Inhoud opvangzak, liter	50

¹¹⁷ Geluidsemissie naar de omgeving gemeten als geluidsvermogen (L_{WA}) volgens EG-richtlijn 2000/14/EG.

¹¹⁸ De gerapporteerde gegevens voor het geluidsdrukniveau vertonen een typische statistische spreiding (standaardafwijking) van 1,4 dB (A).

¹¹⁹ De gerapporteerde gegevens voor een trillingsniveau vertonen een typische statistische spreiding (standaardafwijking) van 0,2 m/s².

EG verklaring van overeenstemming

EG verklaring van overeenstemming

Husqvarna AB, SE-561 82 Huskvarna, Zweden, tel.: +46-36-146500, verklaart dat de **gazonmaaiers Husqvarna LC 141iV en LC 141i** vanaf serienummer 2018XXXXXXX en **Husqvarna LC 141C** vanaf serienummer 2015XXXXXXX voldoen aan de eisen die zijn opgenomen in de RICHTLIJNEN VAN DE RAAD:

- van 8 juni 2011 over de "beperking van het gebruik van bepaalde gevaarlijke stoffen" **2011/65/EU**
- van 17 mei 2006 "met betrekking tot machines" **2006/42/EG**
- van 26 februari 2014 "met betrekking tot elektromagnetische compatibiliteit" **2014/30/EU**
- van 8 mei 2000 "met betrekking tot geluidsemissies in het milieu" **2000/14/EG**

Raadpleeg voor informatie betreffende geluidsemissie de sectie met technische gegevens.

De volgende normen zijn van toepassing op de certificering van Husqvarna LC 141iV en LC 141i: **IEC 60335-2-77:2002, IEC 60335-1:2010+A1:2013, EN 55014-1:2017, EN 55014-2:2015, EN 61000-3-2:2014, EN 61000-3-3:2013, EN 62233:2008**

De volgende normen zijn van toepassing op de certificering van Husqvarna LC 141C: **EN 60335-1:2012+A11:2014, EN 60335-2-77:2010, EN 62233:2008, EN 55014-1:2017+A11, EN 55014-2:2015, EN 61000-3-2:2019, EN 61000-3-11:2019**

Aangemelde instantie: **0404, RISE SMP Svensk Maskinprovning AB, Box 7035, SE-750 07 Uppsala** heeft de overeenstemming beoordeeld volgens bijlage VI van richtlijn 2000/14/EG.

Huskvarna, 2020-10-13



Claes Losdal, Development Manager/Garden Products (gemachtigde vertegenwoordiger voor Husqvarna AB en verantwoordelijk voor technische documentatie.)

INNHold

Innledning.....	476	Feilsøking.....	496
Sikkerhet.....	479	Transport, oppbevaring og avhending.....	497
Montering.....	487	Tekniske data.....	498
Drift.....	489	EF-samsvarserklæring.....	502
Vedlikehold.....	494		

Innledning

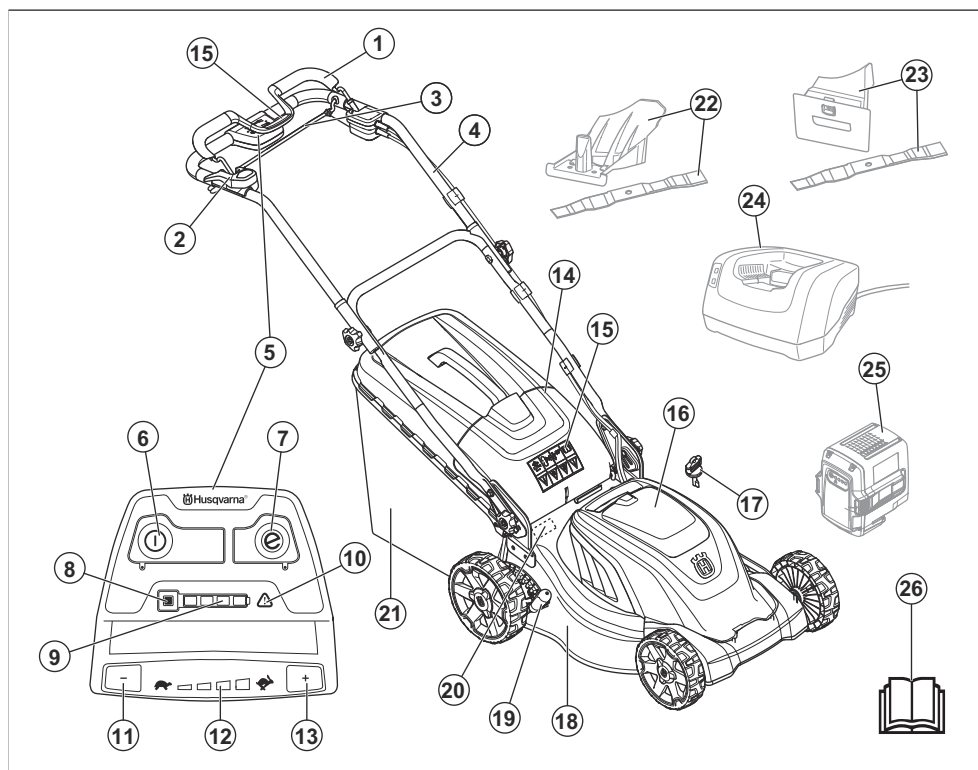
Produktbeskrivelse

Produktet er en roterende skyveggressklipper. Gresset samles i oppsamleren. Ta av oppsamleren for å få bakutkast for gress. Fest et bioklippsett (tilbehør) for å klippe gresset til gjødsel.

Bruksområder

Bruk produktet til å klippe gress. Ikke bruk produktet til andre oppgaver.

Produktoversikt LC 141iV / LC 141i

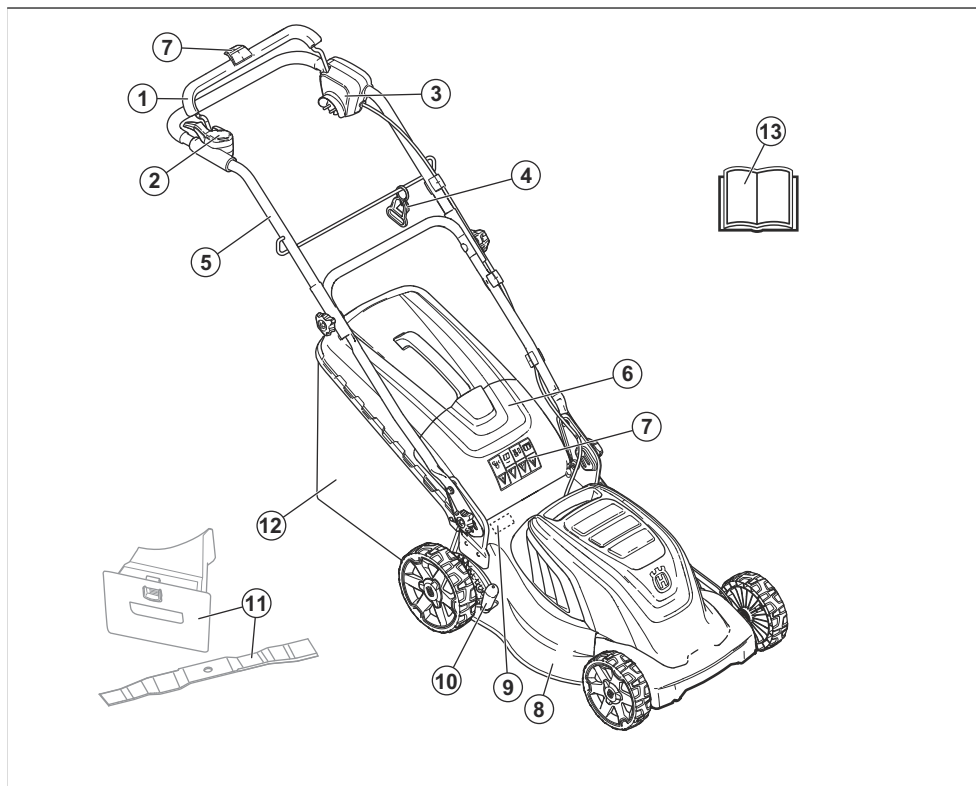


- | | |
|-------------------------------|---------------------------------|
| 1. Motorbremséhåndtak | 6. AV/PÅ-knapp |
| 2. Startsperre | 7. Lagre-knapp |
| 3. Sikkerhetsbøyle (LC 141iV) | 8. Batteriindikatorknapp |
| 4. Håndtak/styrestang | 9. Indikator for batterilading |
| 5. Kontrollpanel | 10. Varsellampe (FEILINDIKATOR) |

- 11. Redusere hastighet-knapp (LC 141iV)
- 12. Hastighetsnivåindikator (LC 141iV)
- 13. Øke hastighet-knapp (LC 141iV)
- 14. Bakdeksel
- 15. Symboler
- 16. Batterideksel
- 17. Tenningsnøkkel
- 18. Klippedeksel

- 19. Spak for regulering av klippehøyde
- 20. Typeskilt
- 21. Gressoppsamler
- 22. Finfordelingssett (tilbehør til LC 141iV)
- 23. Finfordelingssett (tilbehør til LC 141i)
- 24. Batterilader (tilleggsutstyr)
- 25. Batteri (tilbehør)
- 26. Bruksanvisning

Produktoversikt LC 141C



- 1. Motorbremseshåndtak
- 2. Startsperre
- 3. Strømledningskontakt
- 4. Strømledningsholder
- 5. Håndtak/styrestang
- 6. Bakdeksel
- 7. Symboler
- 8. Klippedeksel
- 9. Typeskilt
- 10. Spak for regulering av klippehøyde
- 11. Finfordelingsplugg (tilbehør)
- 12. Gressoppsamler

- 13. Bruksanvisning

Symboler på produktet



Brukeren eller personer i nærheten kan rammes av personskade eller død dersom produktet ikke brukes forsiktig og korrekt.



Les brukerhåndboken og forsikre deg om at du forstår instruksjonene før du bruker produktet.



Hold personer og dyr på trygg avstand fra arbeidsområdet.



Se opp for gjenstander som slynges ut og rikosjetterer.



Advarsel: Hold hender og føtter borte fra den roterende kniven.



Advarsel: Hold hender og føtter borte fra bevegelige deler.



Ta ut tenningsnøkkelen før du utfører vedlikehold på produktet. (modell LC 141iV/LC 141i)



Koble produktet fra strømuttaket før du utfører vedlikehold på produktet. (modell LC 141C)

IPX1

IPX1 – Produktet har beskyttelse mot dryppende vann (modell LC 141iV/LC 141i)

IPX4

IPX4 – Produktet har beskyttelse mot vannsprut (modell LC 141C)



Ikke la det regne på produktet (modell LC 141iV/LC 141i)



Advarsel: Klipp ikke over strømledningen. Dette kan føre til elektrisk støt og/eller skade på produktet. (modell LC 141C)



Dette produktet er i overensstemmelse med gjeldende EU-direktiver.



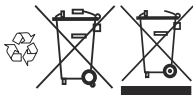
Støyutslipp til omgivelsene ifølge EFs direktiv. Produktutslippene angis i kapittelet Tekniske data og på klistremerket.



Direktestrøm. 36 V



Dobbeltisolert.



Lever dette produktet til et gjenvinningsanlegg for elektrisk og elektronisk utstyr. (Gjelder kun Europa)



Startprosedyre for modell LC 141iV/
LC 141i: trykk på AV/PÅ-knappen, løsne startsperran, skyv motorbremsehåndtaket ned.



Startprosedyre for modell LC 141C: løsne startsperran, skyv

motorbremsehåndtaket ned.



Slipp motorbremsehåndtaket for å stoppe.



Langsomt



Raskt



Kode som kan skannes

Merk: Øvrige symboler/klistremerker angitt på produktet gjelder sertifiseringskrav for visse markeder.

Produktansvar

Som nevnt i lovverket om produktansvar er vi ikke ansvarlig for skader som produktet vårt forårsaker, i følgende tilfeller:

- Produktet er reparert på feil måte.
- Produktet er reparert med deler som ikke kommer fra produsenten eller som ikke er godkjent av produsenten.
- Produktet har et tilbehør som ikke kommer fra produsenten eller som ikke er godkjent av produsenten.
- Produktet er ikke reparert på et godkjent servicesenter eller av en godkjent aktør.

Sikkerhet

Sikkerhetsdefinisjoner

Advarsler, oppfordringer og merknader brukes for å understreke spesielt viktige deler av bruksanvisningen.



ADVARSEL: Brukes hvis det er fare for personskade eller død for brukeren eller andre personer om instruksjonene i håndboken ikke følges.



OBS: Brukes hvis det er fare for skade på produktet, annet materiell eller nærliggende

områder om instruksjonene i håndboken ikke følges.

Merk: Brukes for å gi mer nødvendig informasjon for en spesifikk situasjon.

Generelle sikkerhetsinstruksjoner



ADVARSEL: Les de følgende advarselinstruksjonene før du bruker produktet.

- Dette produktet er farlig hvis det brukes feil, eller hvis du ikke er forsiktig. Personskade eller død kan forekomme hvis du ikke følger sikkerhetsinstruksjonene.
- Dette produktet danner et elektromagnetisk felt når det er i bruk. Dette feltet kan under visse forhold forstyrre aktive eller passive medisinske implantater. For å redusere faren for hendelser som kan føre til alvorlig eller livstruende skade, anbefaler vi at personer med medisinske implantater rådfører seg med lege og produsenten av det medisinske implantatet før dette produktet tas i bruk.
- Vær alltid forsiktig og bruk sunn fornuft. Hvis du ikke er sikker på hvordan du skal bruke produktet i en bestemt situasjon, må du stoppe og snakke med Husqvarna-forhandleren før du fortsetter.

- Husk at brukeren er ansvarlig for ulykker som involverer andre personer eller deres eiendom.
- Hold produktet rent. Sørg for at du kan lese skilt og merker.
- La aldri barn eller personer som ikke har satt seg inn i bruksanvisningen, bruke apparatet. Operatørens lavalder kan være fastsatt i lokale forskrifter
- Overvåk alltid personer med redusert fysisk eller mental kapasitet når de bruker produktet. En ansvarlig voksen må alltid være til stede.
- Ikke bruk produktet dersom du er trett eller syk eller under påvirkning av alkohol, andre rusmidler eller medisiner. Disse tingene har en negativ effekt på synet, vurderingsevnen og dømmekraften din.
- Ikke bruk produktet hvis det er defekt.
- Ikke modifier dette produktet, og ikke bruk det dersom det er mulig at andre har modifisert det.

Sikkerhet i arbeidsområdet



ADVARSEL: Les de følgende

advarselinstruksjonene før du bruker produktet.

- Fjern gjenstander som greiner, kvister og steiner fra området før du bruker produktet.
- Gjenstander som treffer skjæreutstyret, kan slynges ut og forårsake skade på personer og gjenstander. Hold tilskuere og dyr på trygg avstand fra produktet.
- Bruk aldri produktet i dårlig vær, for eksempel i tåke, regn, sterk vind, sterk kulde, eller ved fare for lyn. Det er slitsomt å bruke produktet i dårlig vær eller på fuktige eller våte steder. Dårlig vær kan forårsake farlige forhold, for eksempel glatt underlag.
- Hold utkikk etter personer, objekter og situasjoner som kan forhindre sikker bruk av produktet.
- Se etter hindringer, for eksempel røtter, steiner, kvister, fordypninger og grøfter. Høyt gress kan skjule hindringer.
- Det kan være farlig å klippe gress i skråninger. Ikke klipp hvis bakken er for bratt. Ikke bruk produktet i skråninger som heller mer enn 15 grader

- Vær ekstremt forsiktig når du svinger i bakker/hellinger. Bruk produktet på tvers av skråninger. Ikke gå opp og ned.
- Vær forsiktig når du nærmer deg skjulte hjørner eller gjenstander som blokkerer sikten.

Arbeidssikkerhet



ADVARSEL: Les de følgende advarslene før du bruker produktet.

- Bruk dette produktet bare til å klippe gressplener. Det er ikke tillatt å bruke det til andre formål.
- Bruk personlig verneutstyr. *Se Personlig verneutstyr på side 483.*
- Sørg for at du vet hvordan du stopper motoren raskt i en nødssituasjon.
- Produktet må ikke brukes i regn eller fuktige omgivelser. Fare for elektrisk støt øker hvis det kommer vann inn i produktet.
- Ikke bruk produktet med mindre kniven og alle deksler er riktig montert. En kniv som er feilmontert, kan løsne og forårsake personskade.

- Pass på at kniven ikke kommer borti gjenstander som steiner og røtter. Dette kan skade kniven og bøye motorakselen. En bøyd aksel kan forårsake mye vibrasjon og utgjør en svært høy fare for at kniven blir løs.
- Hvis kniven treffer en gjenstand eller det oppstår kraftige vibrasjoner, må produktet stanses øyeblikkelig. Stopp motoren, vri tenningsnøkkelen til 0, og fjern batteriet (modell LC 141iV og LC 141i) eller koble fra strømledningen (modell LC 141C). Kontroller produktet for skader. Reparer skader, eller la et autorisert serviceverksted utføre reparasjon.
- Du må aldri feste motorbremshåndtaket permanent til håndtaket når motoren er i gang.
- Plasser produktet på et stabilt, flatt underlag, og start det. Pass på at kniven ikke berører bakken eller andre gjenstander.
- Hold deg alltid bak produktet når du bruker det.
- La alle hjulene være på bakken, og hold begge hender på håndtaket når du bruker produktet. Hold hender og føtter borte fra de roterende knivene.
- Unngå å vippe produktet opp mens motoren startes.
- Vær forsiktig når du trekker produktet bakover.
- Du må aldri løfte produktet når motoren er i gang. Hvis du må løfte produktet, stopper du først motoren, før du vrir tenningsnøkkelen til 0 og fjerner batteriet (modell LC 141iV og LC 141i) eller kobler fra strømledningen (modell LC 141C).
- Ikke gå bakover når du bruker produktet.
- Stopp motoren når du går over områder uten gress, for eksempel gangveier av grus, stein og asfalt.
- Ikke løp med produktet når motoren er på. Du må alltid gå mens du bruker produktet.
- Stopp motoren før du endrer klippehøyde. Utfør aldri justeringer mens motoren er i gang.
- La aldri produktet være ute av syne mens motoren er i gang. Stopp motoren, og forsikre deg om at skjæreutstyret ikke roterer.

Sikkerhetsinstruksjoner for drift

Personlig verneutstyr



ADVARSEL: Les de følgende advarselinstruksjonene før du bruker produktet.

- Verneutstyr kan aldri fullstendig forhindre skade, men det reduserer skadeomfanget hvis ulykken inntreffer. Spør forhandleren din om hjelp til å velge riktig utstyr.
- Bruk kraftige, sklisikre støvler eller sko. Ikke bruk åpne sko eller gå barbeint.
- Bruk tykke langbukser.
- Bruk vernehansker når det er nødvendig, for eksempel når du fester, undersøker eller rengjør skjæreutstyret.

Sikkerhetsutstyr på produktet



ADVARSEL: Les de følgende advarselinstruksjonene før du bruker produktet.

- Ikke bruk produktet dersom sikkerhetsutstyret er defekt.
- Utfør regelmessig kontroll av sikkerhetsutstyret. Ta kontakt med ditt Husqvarna-serviceverksted, dersom sikkerhetsutstyret er defekt.

Slik kontrollerer du klippedekselet

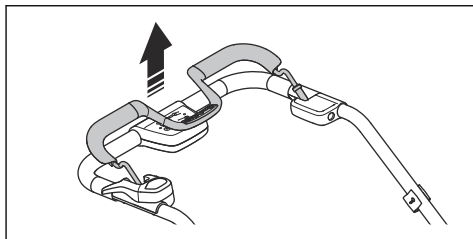
Klippedekselet gir mindre vibrasjoner og minsker risikoen for skader forårsaket av kniven.

- Undersøk klippedekselet for å sikre at det ikke er noen skader, for eksempel sprekker.

Motorbremsehåndtak

Motorbremsehåndtaket stopper motoren. Når du slipper motorbremsehåndtaket, stopper motoren.

Hvis du vil kontrollere motorbremsen, starter du motoren og slipper deretter motorbremsehåndtaket. Hvis motoren ikke stopper innen tre sekunder, må du la et godkjent Husqvarna-serviceverksted justere motorbremsen.

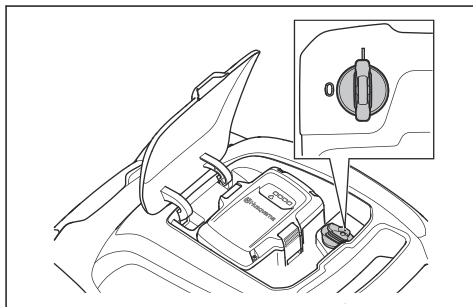


Tenningsnøkkel (modell LC 141IV og LC 141I)

Tenningsnøkkelen er under batteridekselet.

Tenningsnøkkelen kobler til batteriet som forsyner motoren med strøm.

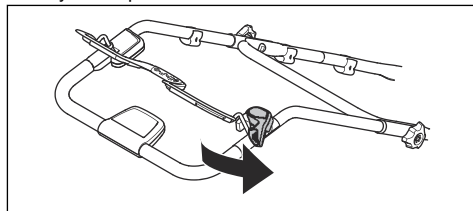
- Skru motoren på og av for å utføre en kontroll av tenningsnøkkelen.
- Hvis tenningsnøkkelen fungerer riktig, starter motoren bare når du vrir nøkkelen til posisjon 1.



Slik undersøker du startsperreren

Utfør en kontroll av startsperreren for å sikre at den hindrer driften av motoren.

1. Trykk motorbremsehåndtaket i retning av styret. Startsperreren stopper bevegelsen.
2. Skyv startsperreren ut.

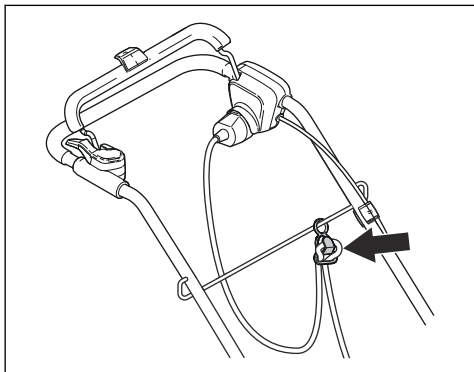


3. Løsne startspærren, og kontroller at den går tilbake til sin opprinnelige posisjon.

Slik bruker du strømledningsholderen (modell LC 141C)

Strømledningsholderen reduserer belastningen på stikkkontakten og strømledningen. Strømledningsholderen reduserer også faren for at du faller.

1. Bøy strømledningen for å danne en liten sløyfe.
2. Plasser sløyfen i hullet i strømledningsholderen.
3. Legg sløyfen rundt kroken.
4. Dra i strømledningen for å stramme sløyfen rundt kroken.



Batterisikkerhet



ADVARSEL: Les de følgende advarslene før du bruker produktet.

- Fare for elektrisk støt. Ikke la batteripolene komme i kontakt med nøkler, mynter, skruer eller andre metallgjenstander. Dette kan føre til kortslutning av batteriet.
 - Ikke sett gjenstander inn i luftåpningene til batteriet.
 - Hold batteriet unna sollys, varme og åpen ild. Batteriet kan eksplodere og forårsake forbrenninger og/eller kjemiske forbrenninger.
 - Hold batteriet unna regn og fuktighet.
 - Hold batteriet unna mikrobølger og høyt trykk.
 - Ikke prøv å demontere eller ødelegge batteriet.
 - Hvis batteriet lekker, må væsken ikke komme i kontakt med hud eller øyne. Hvis du har berørt væsken, må du rengjøre området med store mengder vann og oppsøke legehjelp.
 - Bruk batteriet i temperaturer mellom -10 og 40 °C.
 - Ikke rengjør batteriet eller batteriladeren med vann. Se *Slik rengjør du batteriet og batteriladeren på side 495*.
 - Ikke bruk et defekt eller skadet batteri.
 - Oppbevar batteriene unna metallgjenstander, for
- Bruk bare Husqvarna oppladbare batterier som strømforsyning for relaterte Husqvarna-produkter. For å unngå personskader må du ikke bruke batteriet som strømforsyning for andre enheter.
 - Ikke bruk ikke-oppladbare batterier.

eksempel spikre, mynter og smykker.

Sikker bruk av batteriladeren



ADVARSEL: Les de følgende advarslene før du bruker produktet.

- Bruk QC-batteriladere bare til å lade Husqvarna-erstatningsbatteriene.
- Fare for elektrisk støt eller kortslutning. Ikke sett gjenstander inn i luftåpningene til laderen. Ikke prøv å demontere batteriladeren. Ikke la ladekontaktene berøre metallgjenstander. Bruk en godkjent stikkontakt.
- Dette produktet danner et elektromagnetisk felt når det er i bruk. Dette feltet kan under visse forhold forstyrre aktive eller passive medisinske implantater. For å redusere faren for forhold som kan føre til alvorlig eller livstruende skade, anbefaler vi at personer med medisinske implantater rådfører seg med sin lege og produsenten av det medisinske implantatet før dette produktet tas i bruk.
- Kontroller regelmessig at strømledningen til batteriladeren ikke er skadet, og at det ikke er sprekker i den.
- Ikke løft batteriladeren etter strømledningen. For å koble laderen fra stikkontakten drar du i støpselet. Ikke dra i ledningen.
- Hold strømledningen og skjøteledninger borte fra vann, olje og skarpe kanter. Pass på at kablen ikke kommer i klem i dører, gjerder eller lignende. Det kan føre til at laderen blir strømførende.
- Ikke rengjør batteriladeren med vann.
- Batteriladeren kan brukes av barn over 8 år og personer med nedsatte fysiske og mentale evner eller personer uten erfaring eller kunnskap hvis de får tilsyn eller instruksjoner om hvordan de bruker batteriladeren på en sikker måte, og forstår farene ved bruken. Barn skal ikke leke med batteriladeren. Rengjøring og vedlikehold skal ikke utføres av barn uten tilsyn.
- Ikke lad engangsbatterier i batteriladeren.
- Ikke bruk batteriladeren i nærheten av brennbare materialer eller materialer som kan forårsake korrosjon.

Batteriladeren må ikke tildekkes. Trekk ut støpselet til batteriladeren hvis det oppstår røyk eller brann.

- Ikke bruk en defekt eller skadet batterilader.
- Bare lad batteriet innendørs på et sted som har god luftsirkulasjon og er beskyttet mot direkte sollys. Ikke lad batteriet i fuktige omgivelser.

Sikkerhet med strømledningen

For modell LC 141C.

- Det anbefales at man bruker en sikringsenhet (Residual Current Device, R.C.D.) som utløses ved maks. 30 mA. Selv når en sikringsenhet er installert, kan ikke 100 % sikkerhet garanteres, og sikre arbeidsprosedyrer må følges til enhver tid. Kontroller sikringsenheten hver gang du bruker den.
- Koble fra strømtilførselen umiddelbart dersom strømledningen er kuttet eller isolasjonen er skadet.
- Ikke berør en kuttet eller skadet strømledning før strømtilførselen er koblet fra.
- Ikke prøv å reparere en kuttet eller skadet strømledning. Erstatt den ut med en ny.

Sikkerhetsinstruksjoner for vedlikehold



ADVARSEL: Les de følgende advarslene før du bruker produktet.

- For modell LC 141iV, LC 141i: Når du skal hindre utilsiktet start under vedlikehold, vrir du om tenningsnøkkelen til 0 og tar ut batteriet. Vent i minst 5 sekunder før du begynner vedlikeholdet.
- For modell LC 141C: Koble fra strømledningen for å hindre utilsiktet start under vedlikehold.
- Utfør vedlikeholdsarbeidet på riktig måte for å øke levetiden til produktet og redusere risikoen for ulykker. La et godkjent serviceverksted utføre det fagmessige vedlikeholdet. Snakk med nærmeste serviceverksted for mer informasjon.
- Utfør bare vedlikeholdsarbeid som er beskrevet i denne bruksanvisningen. Mer omfattende inngrep skal utføres av et godkjent serviceverksted.
- Ta på kraftige hansker når du bruker skjæreutstyret. Kniven er svært skarp, og det er lett å kutte seg.
- Hold skjærekantene skarpe og rene for best og sikrest ytelse.

- La serviceverkstedet undersøke produktet regelmessig og utføre de nødvendige justeringene og reparasjonene.
- Skift ut alle skadde, slitte eller ødelagte deler.
- Følg instruksjonene for utskifting av tilbehør. Bruk bare tilbehør fra produsenten.
- Når de ikke er i bruk, oppbevarer du produktet, batteriet og batteriladeren fra hverandre i et tørt, innendørs og avlåst område. Kontroller at barn og personer som ikke er autoriserte, ikke kan få tilgang til produktet, batteriet eller batteriladeren.

Montering

Innledning



ADVARSEL: Før du monterer produktet, må du lese kapittelet om sikkerhet.

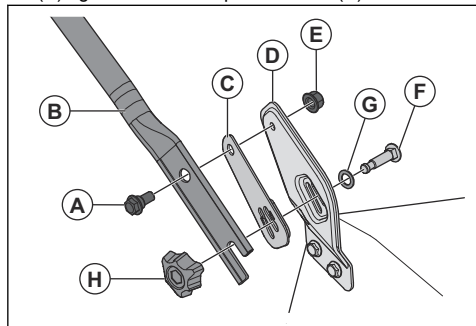


ADVARSEL: For modell LC 141iV, LC 141i: Når du skal hindre utilsiktet start ved montering, vrir du tenningsnøkkelen til 0, tar ut batteriet og venter i minst fem sekunder.

For modell LC 141C: Koble fra strømledningen for å hindre utilsiktet start under montering.

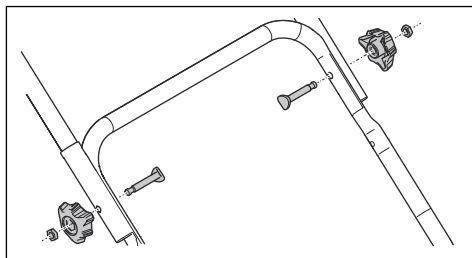
Slik monterer du håndtaket

1. Dytt skruen (A) gjennom håndtaket (B), plastskiven (C) og støttebraketten på håndtaket (D).

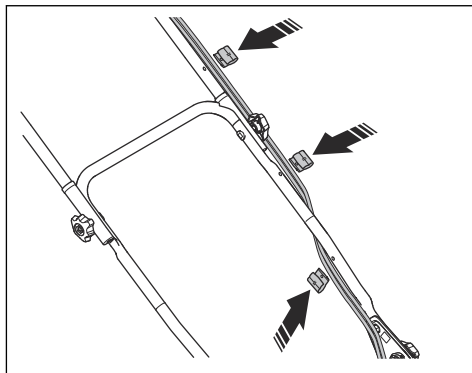


2. Trekk til mutteren (E) helt.
3. Dytt skruen (F) gjennom skiven (G) og støttebraketten på håndtaket.
4. Trekk til knotten (H) helt.

5. Rett inn hullene i håndtaket med hullene i det nedre håndtaket, og fest skruene, skivene og knottene. Trekk til knottene helt.

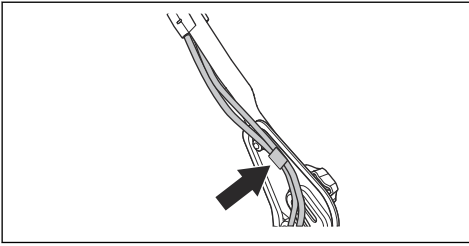


6. Fest kablene til håndtaket ved å bruke kabelfestene.



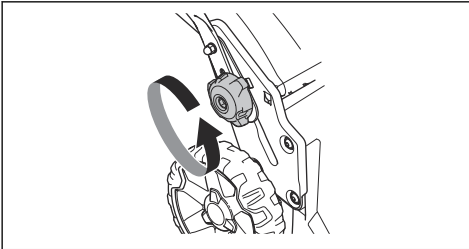
Merk: Kontroller at kablene ikke er strammet for hardt. Hvis kablene er for hardt strammet, kan dette føre til skade på kabelen hvis håndtaket felles ned i transportstilling.

7. Plasser kablene rundt kroken nederst på håndtaket.



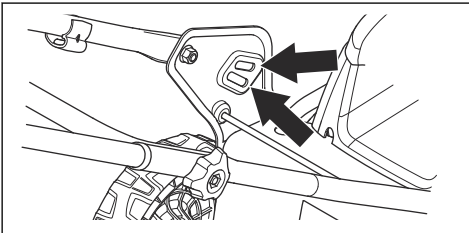
Slik justerer du høyden på håndtaket

1. Løsne de nedre knottene.



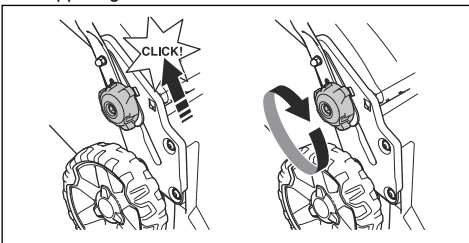
2. Fjern knotten, flensskiven og skruen på venstre og høyre side.

3. Håndtaket kan stilles i 2 forskjellige høyder. Sett inn skruen i et av de to hullene på venstre og høyre side.



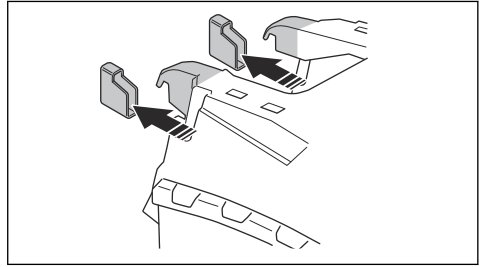
4. Monter skruene, skivene og knottene.

5. Flytt knottene oppover i retning av håndtaket til de stopper og du hører et klikk. Trekk til knottene helt.

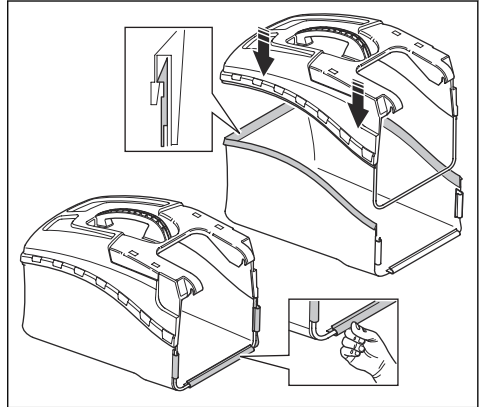


Slik monterer du gressoppsamleren

1. Skyv de to transportdekslene utover og nedover.

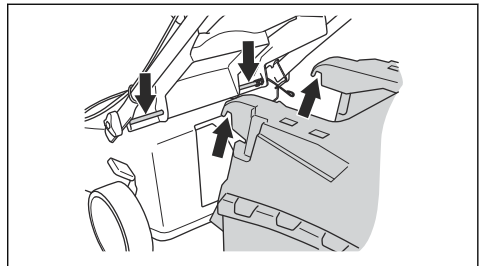


2. Sett den øvre delen av gressoppsamleren på den nedre delen av gressoppsamleren. Fest gressoppsamlerrammen med klemmene.



3. Løft det bakre dekselet.

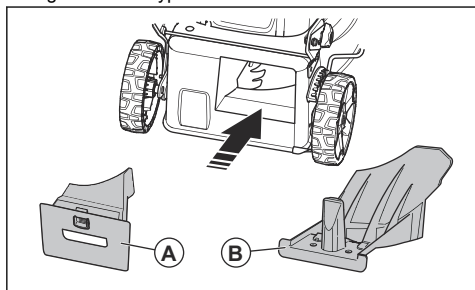
4. Fest krokene på gressoppsamleren til den øverste kanten av chassiset.



Slik monterer du finfordelingssettet

1. Løft opp det bakre dekselet, og ta av gressoppsamleren.

2. Sett finfordelingspluggen inn i utkasterkanalen for gress. Finfordelingspluggen av type A er for LC 141i og LC 141C. Type B er for LC 141iV.



3. Lukk det bakre dekselet.
4. Skift ut kniven med kombikniven. Se *Ta av og skifte kniv på side 495*.

Drift

Innledning



ADVARSEL: Før du bruker produktet, må du lese og forstå kapittelet om sikkerhet.

Husqvarna Connect

Husqvarna Connect er en kostnadsfri app for mobilenheten din. Husqvarna Connect-appen gir utvidede funksjoner for Husqvarna-produktet ditt:

- utvidet produktinformasjon
- informasjon om og hjelp med produktdele og service

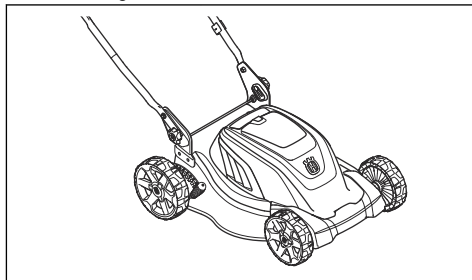
Slik begynner du å bruke Husqvarna Connect

1. Last ned Husqvarna Connect-appen på mobilenheten din.
2. Utfør registrering i Husqvarna Connect-appen.
3. Følg instruksjonene i Husqvarna Connect-appen for å koble til og registrere produktet.

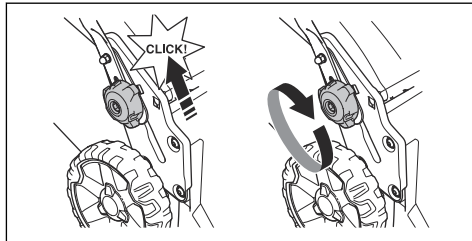
Slik setter du produktet i driftsstilling

Hvis håndtaket er satt i transport- og oppbevaringsstillingen (se *Slik setter du produktet i transportstilling på side 497*), må du utføre følgende prosedyre for å sette håndtaket i driftsstilling.

1. Løft håndtaket til det nedre håndtaket låses i driftsstillingen.

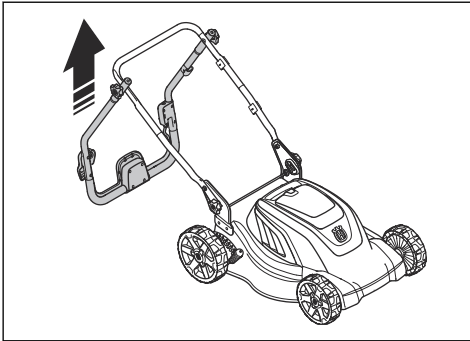


2. Flytt de nedre knottene oppover i retning av håndtaket til de stopper og du hører et klikk.



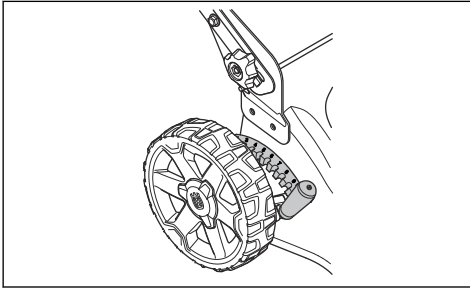
3. Stram knottene.

4. Løft det øvre håndtaket, og stram knottene.



Slik regulerer du klippehøyden

1. Flytt spaken for klippehøyde bakover for å øke klippehøyden.
2. Flytt spaken for klippehøyde forover for å senke klippehøyden.



OBS: Ikke sett klippehøyden for lavt. Knivene kan treffe bakken hvis overflaten av plenen ikke er vannrett.

Batteri

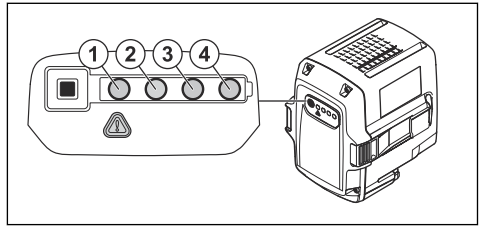


ADVARSEL: Før du bruker batteriet, må du lese og forstå kapittelet om sikkerhet. Du må også lese og forstå bruksanvisningen for batteriet og batteriladeren.

Batteristatus

Displayet viser gjenværende batterikapasitet og eventuelle problemer med batteriet. Batterikapasiteten vises i 5 sekunder etter at produktet er slått av, eller når batteriindikatorknappen trykkes inn. Advarselssymbolet

på batteriet lyser hvis en feil oppstår. Se *Batteri på side 496*.



LED-lamper	Batteristatus
Alle LED-indikatorer lyser	Fullt ladet (75–100 %)
LED 1, LED 2, LED 3 lyser.	Batteriet er 50–75 % ladet.
LED 1, LED 2 lyser.	Batteriet er 25–50 % ladet.
LED 1 lyser.	Batteriet er 0–25 % ladet.
LED 1 blinker	Batteriet er utladet. Lad batteriet.

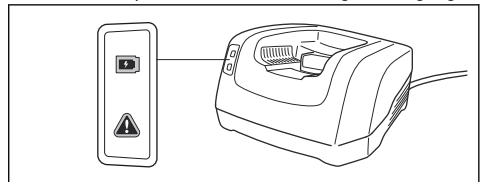
Slik lader du batteriet

Lad batteriet før første gangs bruk. Batteriet er bare 30 % oppladet når det leveres til kunden.

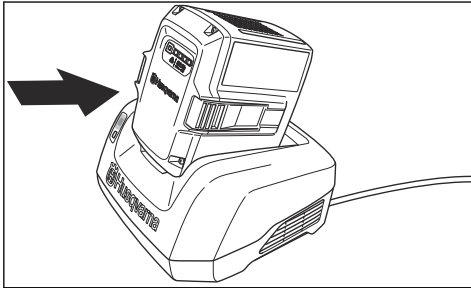
Merk: Batteriladeren må kobles til den spenningen og frekvensen som er angitt på typeskiltet.

Batteriet lades ikke hvis batteritemperaturen er over 50 °C. Batteriladeren reduserer batteriets temperatur før den begynner å lade.

1. Koble den ene enden av strømledningen for batteriladeren inn i kontakten på batteriladeren.
2. Koble den andre enden av strømledningen for batteriladeren inn i en jordnet stikkontakt. LED-indikatoren på batteriladeren blinker grønt én gang.



3. Sett batteriet i batteriladeren. Den grønne lampen på laderen tennes når batteriet er riktig koblet til laderen.



4. Når alle LED-indikatorerne på batteriet lyser, er batteriet fulladet. Lad batteriet i maks. 24 timer.
5. For å koble laderen fra stikkontakten må du dra i selve støpselet, ikke i ledningen.
6. Fjern batteriet fra batteriladeren.

Batteriladestatus

Et Husqvarna Li-ionbatteri kan lades eller brukes ved et hvilket som helst ladenivå. Batteriet blir ikke skadet. Et fulladet batteris ladenivå reduseres ikke når batteriet blir stående i laderen.

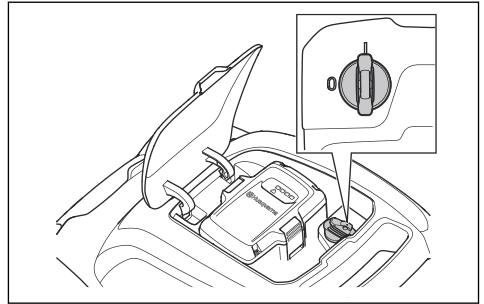
LED-display	Ladestatus
LED 1 blinker	0–25 %
LED 1 lyser, LED 2 blinker	25–50 %
LED 1, LED 2 lyser, LED 3 blinker	50–75 %
LED 1, LED 2, LED 3 lyser, LED 4 blinker	75–100 %
Lampe 1, lampe 2, lampe 3 og lampe 4 tennes	Fulladet

Slik bruker du LC 141iV og LC 141i

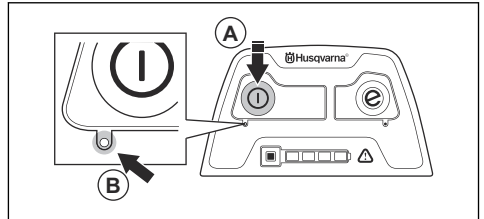
Starte produktet

1. Sett et oppladet batteri inn i batterirommet.

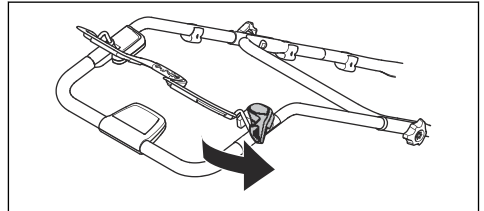
2. Vri tenningsnøkkelen til 1.



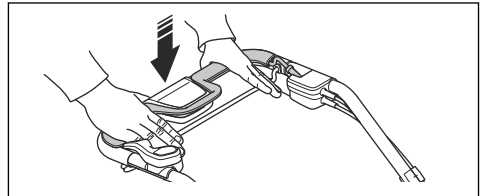
3. Stå bak produktet.
4. Trykk på PÅ/AV-knappen (A) på kontrollpanelet, så tennes den grønne LED-indikatoren (B).



5. Løsne startsperran.

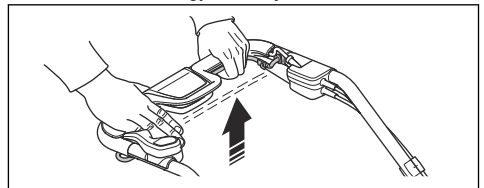


6. Trykk motorbremsåndtaket i retning av styret.

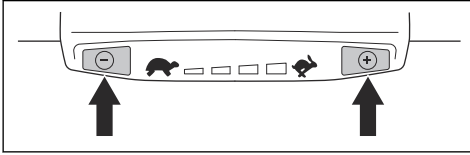


Bruke hjuldriften

- Modell LC 141iV. Trekk sikkerhetsbøylen i retning av håndtaket for å begynner å kjøre.



- Trykk på + og - på kontrollpanelet for å angi hastigheten i fire trinn.

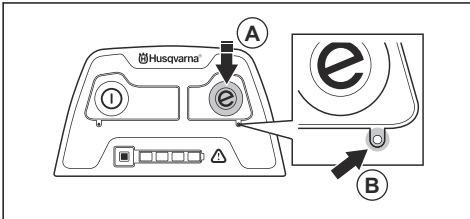


- Løsne sikkerhetsbøylen for å frakoble driften, for eksempel når du går nær en hindring.

Slik bruker du SavE-funksjonen

Produktet har en batterisparefunksjon (SavE) som gir lengre driftstid.

1. Trykk på SavE-knappen (A) for å starte funksjonen. Den grønne LED-indikatoren tennes.



2. Trykk på SavE-knappen igjen for å stoppe funksjonen. Den grønne LED-indikatoren (B) slukker.

SavE-funksjonen stopper automatisk hvis bakkeforholdene gjør det nødvendig med høyere effekt. SavE-funksjonen starter automatisk når bakkeforholdene tillater det.

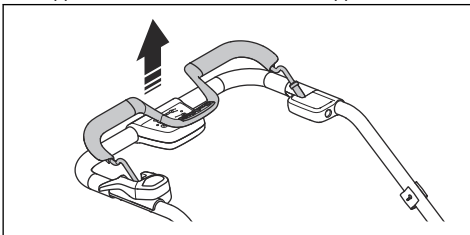
Høybelastningsfunksjon

Når produktet klipper langt eller vått gress, øker motoren automatisk turtallet. Motoren går tilbake til standardmodus når høy last ikke er nødvendig.

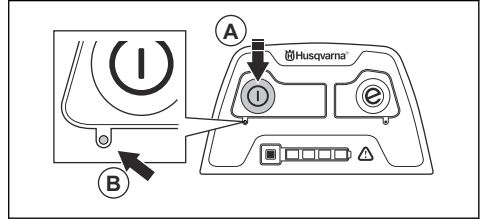
Slik stopper du produktet

Produktet stopper automatisk hvis du ikke bruker det på ti minutter. Vri alltid tenningsnøkkelen til 0 før du slipper produktet ute av syne.

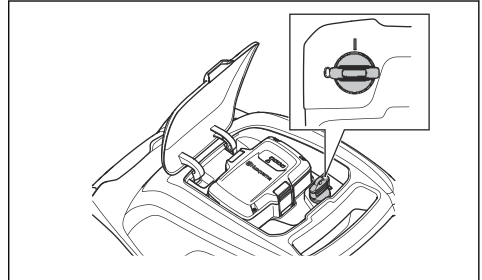
1. Slipp motorbremsåndtaket for å stoppe motoren.



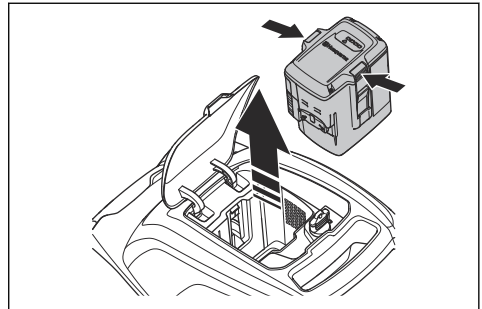
2. Trykk på PÅ/AV-knappen (A) på kontrollpanelet, så slukker den grønne LED-indikatoren (B).



3. Åpne batteridekselet og vri tenningsnøkkelen til 0.



4. Når du skal ta ut batteriet, trykker du på de to utløserknappene og trekker ut batteriet.



5. Lad batteriet hvis nivået er lavt. Du finner mer informasjon i *Slik lader du batteriet på side 490*.

Slik bruker du LC 141C

Slik velger du en godkjent kabel (LC 141C)

Merk: For det britiske markedet: Bruk bare den 16 m lange skjøteledning som leveres sammen med produktet. For alle andre markeder: Se informasjonen nedenfor.

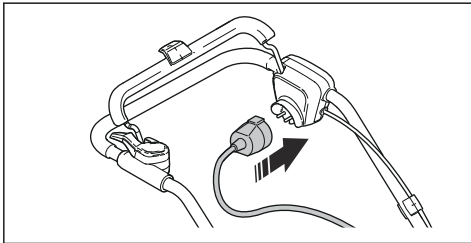
Hvis du bruker skjøteledninger, må disse være i overensstemmelse med minimumstvernsnittene i tabellen nedenfor:

Spenning	Kabellengde	Tverrsnitt
220–240 V / 50 Hz	Opptil 20 m	1,5 mm ²
220–240 V / 50 Hz	20–50 m	2,5 mm ²

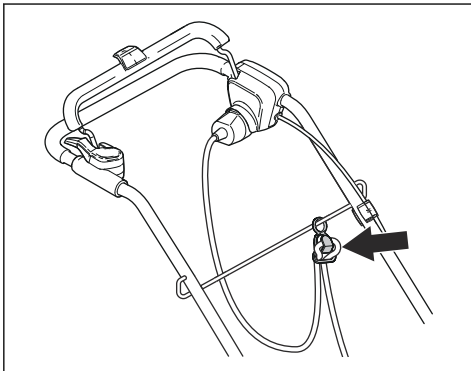
- Strømledningene og skjøteledningene kan kjøpes fra et lokalt godkjent serviceverksted for Husqvarna utendørsprodukter.
- Bruk bare skjøteledninger som er spesielt beregnet til utendørsbruk, og som tilfredsstiller én av de følgende spesifikasjonene: Vanlig gummi (IEC 60245 53), vanlig PVC (IEC 60227 53) eller vanlig PCP (IEC 60245 57)
- Hvis ledningen er skadet, må den skiftes av produsenten, serviceverkstedet eller lignende kvalifisert personell for å unngå farlige situasjoner.

Slik starter du produktet

1. Koble strømledningen til kontakten under håndtaket.

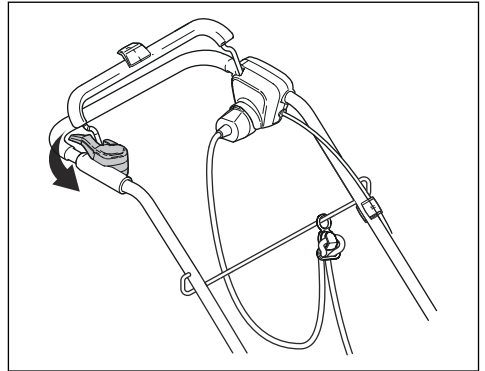


2. Sett strømledningen i strømledningsholderen. Se *Slik bruker du strømledningsholderen (modell LC 141C) på side 484.*

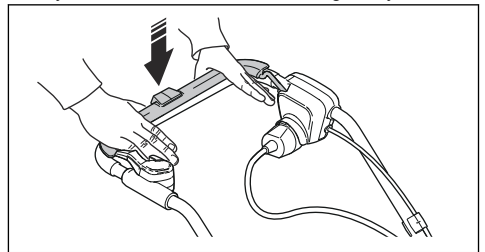


3. Stå bak produktet.

4. Løsne startsperreren.

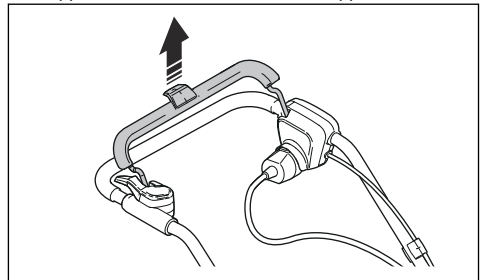


5. Trykk motorbrems håndtaket i retning av styret.

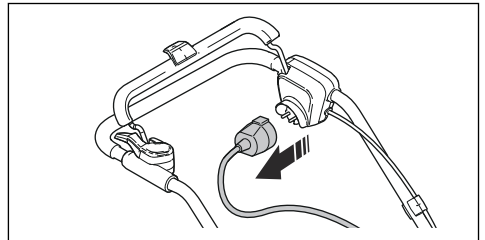


Slik stopper du produktet

1. Slipp motorbrems håndtaket for å stoppe motoren.



2. Koble strømledningen fra stikkkontakten og deretter fra produktet.





OBS: Dra støpselet rett ut. Ikke dra i ledningen.

Slik får du et godt resultat

- Bruk alltid en godt sløpt kniv. En sløv kniv gir ujevnt resultat, og gressets klippeoverflate blir gul. En skarp kniv bruker også mindre energi enn en sløv kniv.

- Ikke klipp mer enn 1/3 av lengden på gresset. Klipp først med klippehøyden stilt høyt. Undersøk resultatet og senk klippehøyden til det aktuelle nivået. Hvis gresset er veldig langt, kjører du sakte og klipper to ganger om nødvendig.
- Klipp i forskjellige retninger hver gang, for å unngå striper i plenen.

Vedlikehold

Innledning



ADVARSEL: Før du utfører vedlikeholdsarbeid, må du lese og forstå kapittelet om sikkerhet.

For alt vedlikehold og reparasjonsarbeid på produktet er det nødvendig med spesiell opplæring. Vi garanterer fagmessig reparasjon og service. Hvis forhandleren ikke

er et serviceverksted, må du snakke med dem for å få informasjon om nærmeste serviceverksted.

Vedlikeholdsskjema

Vedlikeholdsintervallene er beregnet med utgangspunkt i daglig bruk av produktet. Intervallene kan endres hvis produktet ikke brukes daglig.

For vedlikehold identifisert med *, kan du se *Sikkerhetsutstyr på produktet på side 483.*

LC 141IV, LC 141i og LC 141C	Hver bruk	Månedlig	Hver sesong
Utfør en generell inspeksjon.	X		
Rengjør produktet.	X		
Kontroller startsperreren*.	X		
Pass på at sikkerhetsutstyret på produktet ikke er defekt*.	X		
Kontroller skjærestyret.	X		
Kontroller klippedekselet*.	X		
Kontroller motorbremsåndtaket*.	X		

Kun LC 141IV og LC 141i	Hver bruk	Månedlig	Hver sesong
Kontroller at PÅ/AV-knappen fungerer på riktig måte og ikke er defekt.	X		
Kontroller batteriet for skader.	X		
Kontroller batteriets ladevå.	X		
Kontroller at utløserknappene på batteriet fungerer riktig og at batteriet låses fast i produktet.	X		
Undersøk batteriladeren for skader, og sørg for at den fungerer på riktig måte.		X	
Undersøk forbindelsene mellom batteriet og produktet. Undersøk også forbindelsen mellom batteriet og batteriladeren.			X

Slik utfører du en generell inspeksjon

- Kontroller at mutrene og skruene på produktet er trukket til.
- Sørg for at kablene på produktet ikke er i en posisjon der de kan bli skadet.

Slik rengjør du produktet

- Rengjør plastdeler med en tørr, ren klut.
- Ikke bruk vann til å rengjøre produktet. Vann kan komme inn i batteriet eller motoren og forårsake kortslutning eller skade på produktet.
- Produktet må ikke rengjøres med høytrykksspyler.
- Ikke spyl vann direkte på motoren.
- Bruk en børste for å fjerne løv, gress og smuss.

Slik rengjør du batteriet og batteriladeren



OBS: Ikke rengjør batteriet eller batteriladeren med vann.

- Kontroller at batteriet og batteriladeren er rene og tørre før du setter batteriet i batteriladeren.
- Rengjør batteriklemmene med trykluft, eller bruk en myk og tørr klut.
- Rengjør overflatene på batteriet og batteriladeren med en myk og tørr klut.

Slik kontrollerer du skjæreutstyret



ADVARSEL: For modellene LC 141iV og LC 141i: Når du skal hindre utilsiktet start, vrir du tenningsnøkkelen til 0, tar ut batteriet og venter i minst fem sekunder.

For modell LC 141C: Koble fra strømledningen for å hindre utilsiktet start.



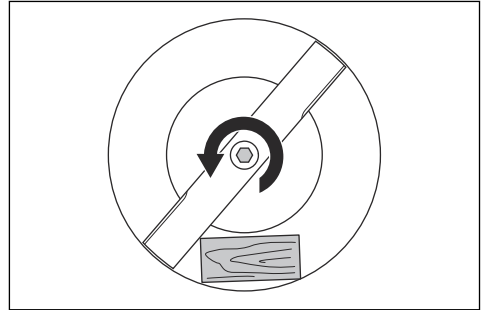
ADVARSEL: Bruk vernehansker når du utfører vedlikehold på skjæreutstyret. Kniven er svært skarp, og det er lett å kutte seg.

1. Kontroller skjæreutstyret med henblikk på skader og sprekkdannelse. Bytt alltid ut skadet skjæreutstyr.
2. Sjekk om kniven er skadet eller sløv.

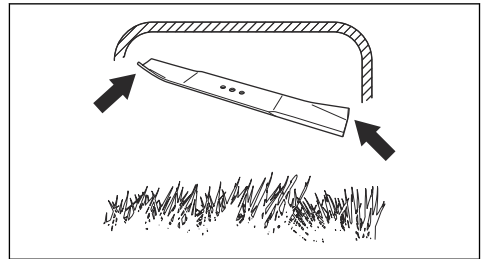
Merk: Kniven må balanseres etter at den er slipt. La et servicesenter slipe, skifte og balansere kniven. Hvis du treffer en hindring som fører til at produktet stopper, må du skifte ut den skadde kniven. La serviceverkstedet vurdere om kniven kan slipes eller om den må skiftes ut.

Ta av og skifte kniv

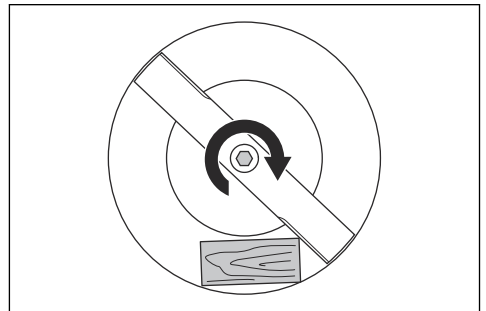
1. Lås kniven med en trekloss.



2. Fjern knivbolten.
3. Fjern kniven.
4. Undersøk knivstøtten og knivbolten for å se om det finnes skader.
5. Undersøk motorakselen for å forsikre deg om at den ikke er bøyd.
6. Når du fester den nye kniven, må du peke de vinklede endene av kniven i retning av klippedekselet.



7. Kontroller at kniven er innrettet med midten av motorakselen.
8. Lås kniven med en trekloss. Fest sprengskiven, og trekk til bolten og flensskiven med et moment på 20 Nm.



9. Trekk kniven rundt for hånd for å kontrollere at den roterer fritt.



ADVARSEL: Bruk-kraftige arbeidshansker. Kniven er svært skarp, og det er lett å kutte seg.

10. Start produktet for å teste kniven. Hvis kniven ikke er riktig festet, vil produktet vibrere, eller klipperesultatet vil ikke bli bra nok.

Feilsøking

Batteri

LED-indikator på batteriet	Årsak	Løsning
Den grønne LED-lampen blinker.	Batterispenningen er lav.	Lad batteriet. Se <i>Slik lader du batteriet på side 490</i> .
LED-feillampen blinker.	Batteriet er svakt.	Lad batteriet. Se <i>Slik lader du batteriet på side 490</i> .
	Temperaturen i arbeidsmiljøet er for høy eller for lav.	Bruk batteriet i temperaturer mellom -10 og 40 °C.
	Overspenning	Kontroller at strømtilførselen er den samme som er angitt på typeskiltet på produktet. Fjern batteriet fra batteriladeren. Vent i fem sekunder, og prøv å lade batteriet igjen. Hvis problemet vedvarer, kontakter du et autorisert serviceverksted.
LED-feillampen er tent.	For stor forskjell mellom cellene (1 V).	Ta kontakt med et godkjent serviceverksted.

Batterilader

LED-indikator på batteriladeren.	Årsak	Løsning
LED-feillampen blinker.	Temperaturen i arbeidsmiljøet er for høy eller for lav.	Bruk batteriladeren i temperaturer mellom 5 og 40 °C.
LED-feillampen er tent.		Ta kontakt med et godkjent serviceverksted.

Kontrollpanel

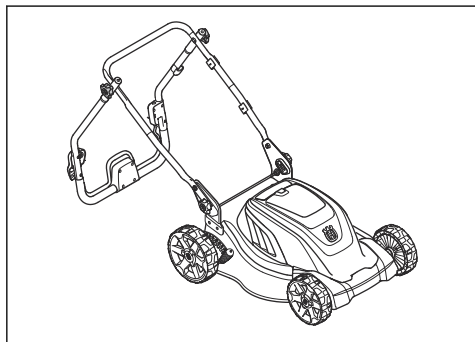
Hvis du har andre problemer enn de i dette avsnittet, tar du kontakt med serviceverkstedet.

Tastatur	Mulige feil	Mulig handling
Feilindikatoren blinker.	Motoren er overbelastet.	Øk klippehøyden. Se <i>Slik regulerer du klippehøyden på side 490</i> .
	Motorturtallet faller for mye, og motoren stopper.	
	Motorstyringen er for varm.	Stopp motoren, og vent til den er avkjølt.
	Kniven er blokkert.	Når du skal hindre utilsiktet start, vrir du tenningsnøkkelen til 0, tar ut batteriet og venter i minst fem sekunder. Pass på at kniven kan rotere fritt. Hvis problemet vedvarer, kontakter du et autorisert serviceverksted.
	Batterifeil eller ingen signaler fra batteriet	Sett batteriet inn i produktet på riktig måte, og undersøk batterikontakten. Hvis LED-feilindikatoren på batteriet blinker, kan du se <i>Batteri på side 496</i> .
Produktet stopper.	Batteriet er svakt.	Lad batteriet. Se <i>Slik lader du batteriet på side 490</i> .
	Batterikontaktfeil	Undersøk batterikontakten.

Transport, oppbevaring og avhending

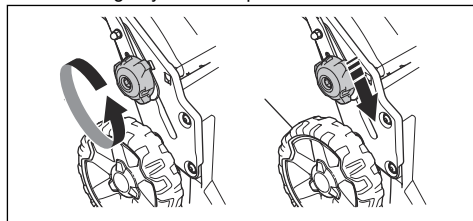
Slik setter du produktet i transportstilling

1. Ta av oppsamleren (hvis den er på).
2. Løsne de to knottene på det øvre håndtaket, og fold håndtaket nedover.

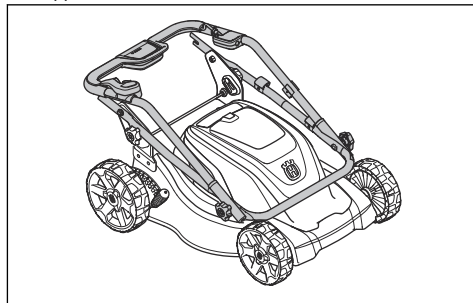


3. Løsne de nedre knottene.

4. Flytt knottene til den nedre enden av sporene på venstre og høyre side av produktet.



5. Vipp håndtaket forover.



Transport

- Loven om farlige varer gjelder de medfølgende Li-ion-batteriene.
- For kommersiell transport må spesielle krav på emballasje og etiketter følges.

- Sørg for at du overholder lovene om farlig materiale når du klargjør produktet for transport. Lokale forskrifter kan gjelde.
- Ta alltid ut batteriet før transport.
- Sett teip på batterikontaktene, og forsikre deg om at batteriet ikke kan bevege seg rundt under transport.
- Sikre produktet under transport.

Lagring

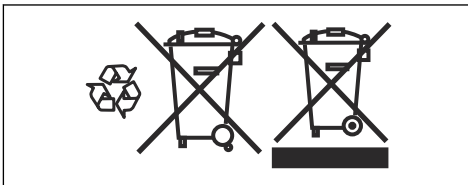
- Ta alltid ut batteriet når du skal oppbevare produktet.
- For å hindre ulykker må du sikre at batteriet ikke er koblet til produktet under oppbevaring.
- Oppbevar batteriladeren på et innelukket og tørt sted.
- Hold batteriet og laderen på et tørt sted der det ikke er fukt eller frost.
- Koble batteriet fra batteriladeren under oppbevaring.
- Batteriet må ikke oppbevares der det kan forekomme statisk elektrisitet. Ikke oppbevar batteriet i en metallkasse.
- Oppbevar batteriet et sted temperaturen er mellom 5 og 25 °C og borte fra sollys.
- Oppbevar batteriladeren et sted temperaturen er mellom 5 og 45 °C og borte fra sollys.
- Kontroller at batteriet er ladet til 30–50 % før du setter det til oppbevaring i lange perioder.
- Oppbevar produktet, batteriet og batteriladeren i et låsbart område, utilgjengelige for barn og uautoriserte personer.

- Rengjør produktet og utfør en fullstendig service før du setter det til oppbevaring i lang tid.

Avhending

Symbolene på produktet eller produktemballasjen indikerer at produktet ikke skal håndteres som husholdningsavfall. Produktet skal innleveres til et gjenvinningsanlegg som gjenvinner elektrisk og elektronisk utstyr.

Ved å sikre at produktet håndteres på riktig måte, kan du bidra til å motvirke potensielt negative virkninger på miljø og mennesker, som kan oppstå som følge av at produktet ikke avfallshåndteres på riktig måte. Kontakt det lokale renovasjonsvesenet eller forhandleren der du kjøpte produktet hvis du ønsker mer detaljert informasjon.



Tekniske data

Tekniske data LC 141iV, LC 141i

	LC 141iV	LC 141i
Klippemotor		
Motorstype	BLDC (børsteløs) 36 V	BLDC (børsteløs) 36 V
Motorhastighet – SavE, turtall	2700	2700
Motorhastighet – nominell, turtall	3100	3100
Motorhastighet – høybelastning, turtall	3700	3700
Motoreffekt – maks. kW	0,8	0,8
Motoreffekt – nominell, kW	0,55	0,55
Drivmotor		
Motoreffekt – nominell, kW	0,25	NA
Selvgående hastighet, km/t	3,0–4,5	NA
Nivåer for hastighetsjustering	4	NA
Vekt		
Vekt uten batteri, kg	21,5	18,6

	LC 141iV	LC 141i
Batteri ¹²⁰		
Batteritype	Husqvarna-batteriserien	Husqvarna-batteriserien
Batteriets driftstid		
Batteriets driftstid, min., (frikjøring) med SavE aktivert, med ett Husqvarna 5,2 Ah-batteri (BLi200)	77	77
Batteriets driftstid, min., (frikjøring) med standardmodus aktivert, med ett Husqvarna 5,2 Ah-batteri (BLi200)	45	45
Støyutslipp ¹²¹		
Lydeffektnivå, målt dB (A)	88	88
Lydeffektnivå, garantert L _{WA} dB (A)	89	89
Lydnivåer ¹²²		
Lydtrykknivå ved brukerens øre, dB (A)	83	83
Vibrasjonsnivåer ¹²³		
Styre, m/s ²	2.0	2.0
Klipping		
Klippehøyde, mm	25–70	25–70
Klippebredde, cm	41	41
Kniv, artikkelnummer	Oppsamling – 5011716-01	Oppsamling – 5011716-01
Oppsamlerkapasitet, liter	50	50

Godkjente batterier	Merke	Type	Batterikapasitet, Ah	Spenning, V	Vekt, lb/kg
BLi10	Husqvarna	Litium-ion	2,0	36	1,8/0,8
BLi100	Husqvarna	Litium-ion	2,6	36	1,9/0,8
BLi20	Husqvarna	Litium-ion	4,0	36	2,7/1,2
BLi200	Husqvarna	Litium-ion	5,2	36	2,8/1,3
BLi300	Husqvarna	Litium-ion	9,4	36	4,1/1,9

¹²⁰ For det beste resultatet og den beste ytelsen anbefales Husqvarna-batteriet BLi200.

¹²¹ Utslipp av støy til omgivelsene målt som lydeffekt (L_{WA}) samsvarer med EF-direktiv 2000/14/EF.

¹²² Rapporterte data for ekvivalent lydtrykknivå for maskinen har en typisk statistisk spredning (standardavvik) på 1,2 dB (A).

¹²³ Rapporterte data for vibrasjonsnivå har en typisk statistisk spredning (standard avvik) på 0,2 m/s².

Godkjente ladere for de spesi- fiserte batteriene,	Merke	Inngangsspenning, V	Frekvens, Hz	Effekt, W
QC80	Husqvarna	100–240	50–60	80
QC80F	Husqvarna	12	0	80
QC250	Husqvarna	220 + -240	50	250
QC330	Husqvarna	100–240	50–60	330
QC500	Husqvarna	100–240	50–60	500

Tekniske data LC 141C

LC 141C	
Motor	
Motorstype	AC-motorserie
Motorhastighet – nominell, turtall	3200
Effekt	1800 W
Strømkilde	Elektrisk med ledning
Strømkabel (bare inkludert i Storbritannia)	
Kabeltype	16 m skjøteledning
Vekt, kg	1,6
Vekt	
Vekt, kg	20,4
Støyutslipp ¹²⁴	
Lydeffektnivå, mål dB (A)	93
Lydeffektnivå, garantert L _{WA} dB (A)	95
Lydnivåer ¹²⁵	
Lydtrykknivå ved brukerens øre, dB (A)	85
Vibrasjonsnivåer ¹²⁶	
Håndtak, m/s ²	2,0
Klipping	
Klippehøyde, mm	25–70
Klippebredde, cm	41
Kniv, artikkelnummer	Oppsamler 5011716-01

¹²⁴ Utslipp av støy til omgivelsene målt som lydeffekt (L_{WA}) samsvarer med EF-direktiv 2000/14/EF.

¹²⁵ Rapporterte data for ekvivalent lydtrykknivå for maskinen har en typisk statistisk spredning (standardavvik) på 1,4 dB (A).

¹²⁶ Rapporterte data for vibrasjonsnivå har en typisk statistisk spredning (standard avvik) på 0,2 m/s².

	LC 141C
Oppsamlerkapasitet, liter	50

EF-samsvarserklæring

Husqvarna AB, SE-561 82 Huskvarna, Sverige, tlf.:
+46-36-146500, erklærer at **gressklipperne Husqvarna
LC 141IV og LC 141i** fra og med serienummer
2018XXXXXXX og **Husqvarna LC 141C** fra
2015XXXXXXX oppfyller kravene i RÅDSDIREKTIVET:

- fra 8. juni 2011 på "begrense bruken av bestemte farlige stoffer" **2011/65/EU**
- fra 17. mai 2006, "angående maskiner" **2006/42/EF**
- fra 26. februar 2014 «angående elektromagnetisk kompatibilitet» **2014/30/EU**
- fra 8. mai 2000 «angående utslipp av støy til omgivelsene» **2000/14/EF**

For informasjon som gjelder støyutslipp kan du se kapittelet Tekniske data.

Følgende standarder er anvendt for sertifisering av Husqvarna LC 141IV og LC 141i: **IEC 60335-2-77:2002, IEC 60335-1:2010+A1:2013, EN 55014-1:2017, EN 55014-2:2015, EN 61000-3-2:2014, EN 61000-3-3:2013, EN 62233:2008**

Følgende standarder er brukt for sertifisering av Husqvarna LC 141C: **EN 60335-1:2012+A11:2014, EN 60335-2-77:2010, EN 62233:2008, EN 55014-1:2017+A11, EN 55014-2:2015, EN 61000-3-2:2019, EN 61000-3-11:2019**

Kontrollorgan: **0404, RISE SMP Svensk Maskinprovning AB, Box 7035, SE-750 07 Uppsala** Har utført samsvarsvurdering i henhold til Tillegg VI i direktivet 2000/14/EF.

Huskvarna, 2020-10-13



Claes Losdal, Development Manager/hageprodukter
(autorisert representant for Husqvarna AB og ansvarlig for teknisk dokumentasjon)

SPIS TREŚCI

Wstęp.....	503	Rozwiązywanie problemów.....	525
Bezpieczeństwo.....	507	Transport, przechowywanie i utylizacja.....	526
Montaż.....	516	Dane techniczne.....	528
Przeznaczenie.....	518	Deklaracja zgodności WE.....	531
Przegląd.....	523		

Wstęp

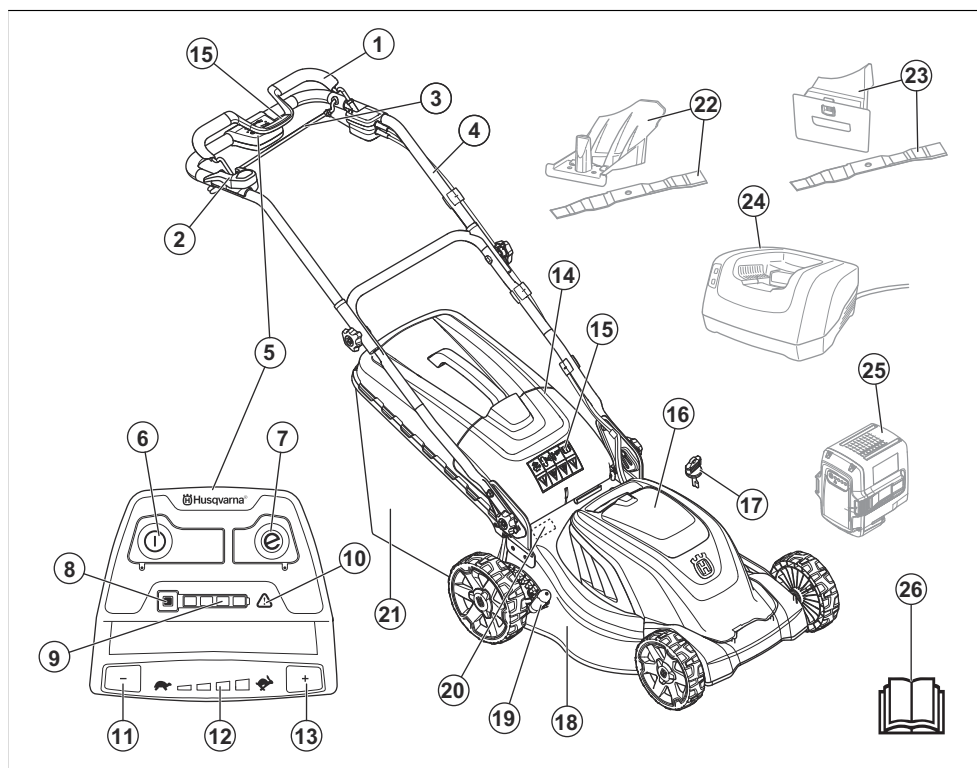
Opis produktu

Produkt jest rotacyjną kosiarką obsługiwaną przez operatora. Trawa zbierana jest do pojemnika na trawę. Zdjąć pojemnik na trawę, aby usunąć z niego trawę przez tylny otwór wylotowy. Zamontować zestaw mulczujący (akcesorium), aby pociąć trawę na nawóz.

Przeznaczenie

Produkt służy fo ścięcia trawy. Nie używać produktu do innych zadań.

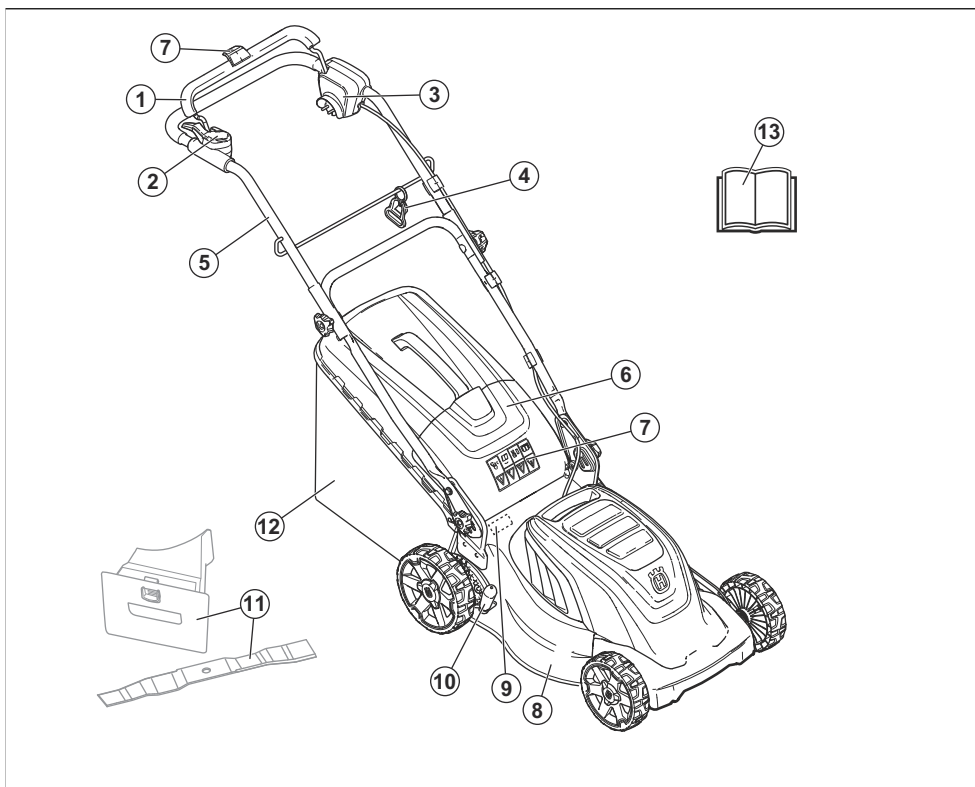
Przegląd produktu LC 141iV / LC 141i



- | | |
|--------------------------------|-----------------------------------|
| 1. Uchwyt hamulca silnika | 5. Panel sterowania |
| 2. Opóźniacz rozruchu | 6. Przycisk wł./wyt. |
| 3. Dźwignia napędu (LC 141iV) | 7. Przycisk SavE |
| 4. Uchwyt / uchwyt sterowniczy | 8. Przycisk wskaźnika akumulatora |

9. Wskaźnik naładowania akumulatora
10. Kontrolka ostrzegawcza (diody LED BŁĘDU)
11. Przycisk zmniejszania prędkości (LC 141iV)
12. Wskaźnik poziomu prędkości (LC 141iV)
13. Przycisk zwiększania prędkości (LC 141iV)
14. Pokrywa tylna
15. Symbole
16. Pokrywa akumulatora
17. Kluczyk bezpieczeństwa
18. Osłona modułu tnącego
19. Dźwignia regulacji wysokości koszenia
20. Tabliczka znamionowa
21. Pojemnik na trawę
22. Zestaw mulczujący (jako akcesorium dla modeli LC 141iV)
23. Zestaw mulczujący (jako akcesorium dla modeli LC 141i)
24. Ładowarka akumulatora (akcesorium)
25. Akumulator (akcesorium)
26. Instrukcja obsługi

Przegląd produktu LC 141C



1. Uchwyt hamulca silnika
2. Opóźniacz rozruchu
3. Gniazdo przewodu zasilającego
4. Uchwyt przewodu zasilającego
5. Uchwyt / uchwyt sterowniczy
6. Pokrywa tylna
7. Symbole
8. Osłona modułu tnącego
9. Tabliczka znamionowa
10. Dźwignia regulacji wysokości koszenia
11. Wkładka rozdrabniająca (akcesorium)
12. Pojemnik na trawę
13. Instrukcja obsługi

Symbole znajdujące się na produkcie



W następstwie
nieuważnej lub
nieprawidłowej obsługi

może dojść do obrażeń ciała lub śmierci operatora bądź innych osób.



Przed użyciem produktu należy przeczytać ze zrozumieniem instrukcję obsługi.



Ludzie i zwierzęta powinny przebywać w bezpiecznej odległości od obszaru roboczego.



Należy uważać na odrzucane i rykoszetujące przedmioty.



Ostrzeżenie: Ręce i stopy należy trzymać z dala od obracającego się ostrza.



Ostrzeżenie: Nie zbliżać dłoni i stóp do części obrotowych.



Przed przystąpieniem do konserwacji wyjąć kluczyk zabezpieczający. (model LC 141iV/LC 141i)



Przed rozpoczęciem czynności konserwacyjnych odłączyć urządzenie od

gniazdka zasilającego. (model LC 141C)

IPX1 IPX1 — produkt jest zabezpieczony przed kapiącą wodą (model LC 141iV/LC 141i)

IPX4 IPX4 — produkt jest zabezpieczony przed rozbryzgami wody (model LC 141C)



Nie wystawiać produktu na działanie deszczu (model LC 141iV/LC 141i)



Ostrzeżenie: Nie należy używać produktu, jeśli pod spodem znajduje się przewód zasilający, ponieważ może to doprowadzić do porażenia prądem lub uszkodzenia urządzenia. (model LC 141C)

CE Niniejszy produkt jest zgodny z obowiązującymi dyrektywami wspólnoty europejskiej.



Emisja hałasu zgodna z Dyrektywą Wspólnoty Europejskiej. Hałas emitowany przez

urządzenie jest określony w rozdziale „Dane techniczne” oraz na tabliczce znamionowej.

 Prąd stały. 36 V

 Podwójna izolacja.



Produkt należy poddać recyklingowi w punkcie zbiórki sprzętu elektrycznego i elektronicznego. (Dotyczy tylko Europy)



Procedura uruchomienia modelu LC 141iV/ LC 141i: nacisnąć przycisk wł./wył., poluzować opóźniacz rozruchu, nacisnąć uchwyt hamulca silnika.



Procedura uruchomienia modelu LC 141C: poluzować opóźniacz rozruchu, nacisnąć uchwyt hamulca silnika.



Zwolnić uchwyt hamulca silnika, aby zatrzymać.



Wolno



Prędko



Kod do przeskanowania

Uwaga: Pozostałe symbole/naklejki samoprzylepne umieszczone na produkcie dotyczą wymogów związanych z certyfikatami w niektórych krajach.

Odpowiedzialność za produkt

Zgodnie z przepisami dotyczącymi odpowiedzialności za produkt nie ponosimy odpowiedzialności za szkody spowodowane przez nasz produkt, jeśli:

- produkt jest nieprawidłowo naprawiany.
- produkt jest naprawiany przy użyciu części nie pochodzących od producenta lub niezatwierdzonych przez producenta.
- produkt jest wyposażony w akcesoria nie pochodzące od producenta lub niezatwierdzone przez producenta.
- produkt nie jest naprawiany w autoryzowanym centrum serwisowym lub przez autoryzowaną placówkę.

Bezpieczeństwo

Definicje dotyczące bezpieczeństwa

Ostrzeżenia, uwagi i informacje są używane do zwrócenia uwagi na szczególnie ważne sekcje instrukcji obsługi.



OSTRZEŻENIE: Jest używane, gdy istnieje ryzyko poważnych obrażeń, śmierci operatora lub uszkodzenia otoczenia w wyniku nieprzestrzegania instrukcji obsługi.



UWAGA: Jest używane, gdy istnieje ryzyko uszkodzenia materiałów lub urządzenia w wyniku nieprzestrzegania instrukcji obsługi.

Uwaga: Stosuje się, aby przekazać więcej informacji, które są przydatne w danej sytuacji.

Ogólne zasady bezpieczeństwa



OSTRZEŻENIE: Przed rozpoczęciem użytkowania produktu przeczytać następujące ostrzeżenia.

- Produkt ten może być niebezpieczny w przypadku jego nieprawidłowego użytkowania i niezachowania ostrożności. Nieprzestrzeganie instrukcji bezpieczeństwa może spowodować obrażenia ciała lub śmierć.
- Podczas pracy urządzenie wytwarza pole elektromagnetyczne. W pewnych okolicznościach pole to może zakłócać pracę aktywnych lub pasywnych

implantów medycznych. Przed użyciem tego produktu osoby z wszczepionym implantem medycznym powinny skonsultować się z lekarzem i producentem implantu w celu ograniczenia ryzyka poważnych lub śmiertelnych obrażeń.

- Zawsze zachowywać ostrożność i kierować się zdrowym rozsądkiem. Jeśli nie ma pewności, w jaki sposób należy obsługiwać ten produkt w konkretnej sytuacji, przed wznowieniem pracy należy porozmawiać z dealerem Husqvarna.
- Pamiętać o tym, że operator ponosi odpowiedzialność za wypadki z udziałem innych ludzi i ich własności.
- Utrzymywać produkt czystym. Upewnić się, że można łatwo odczytać oznaczenia i naklejki.
- Nie wolno pozwalać dzieciom ani osobom, które nie zapoznały się z niniejszymi instrukcjami obsługi, na obsługiwanie urządzenia. Przepisy prawa lokalnego mogą narzucić ograniczenia dotyczące wieku operatora urządzenia

- Należy zawsze kontrolować osobę o ograniczonych możliwościach fizycznych lub umysłowych podczas używania produktu. Zawsze musi jej towarzyszyć odpowiedzialna osoba dorosła.
- Osoba, która jest zmęczona, chora lub pod wpływem alkoholu, narkotyków lub leków nie może obsługiwać urządzenia. Stany te mają negatywny wpływ na wzrok, uwagę, koordynację i osąd.
- Nie stosować uszkodzonego produktu.
- Nie wolno dokonywać w maszynie zmian stanowiących modyfikację jej oryginalnej wersji. Nie używać maszyny, jeżeli istnieje podejrzenie, że ktoś inny wprowadził w niej zmiany.

Bezpieczeństwo miejsca pracy



OSTRZEŻENIE: Przed rozpoczęciem użytkowania produktu przeczytać następujące ostrzeżenia.

- rozpocząciem korzystania z maszyny.
- Obiekty, które zderzają się z elementami tnącymi, mogą zostać wyrzucone i spowodować obrażenia osób i uszkodzenia przedmiotów. Osoby znajdujące się w pobliżu i zwierzęta powinny zachować bezpieczną odległość od maszyny.
- Nigdy nie należy używać produktu w niesprzyjających warunkach np. we mgle, w deszczu, przy silnym wietrze, na silnym mrozie, gdy występuje ryzyko wyładowań atmosferycznych. Korzystanie z maszyny w niesprzyjających warunkach lub w wilgotnych czy mokrych lokalizacjach jest męczące. Niesprzyjające warunki pogodowe mogą stworzyć niebezpieczne warunki, takie jak śliskie powierzchnie.
- Należy uważać na osoby, przedmioty i sytuacje, które mogą uniemożliwić bezpieczną obsługę maszyny.
- Należy zwracać uwagę na przeszkody, takie jak korzenie, kamienie, gałązki, dziury i doły. Wysoka trawa może zasłaniać przeszkody.
- Usunąć obiekty, takie jak gałęzie, gałązki i kamienie z obszaru roboczego przed

- Koszenie trawy na pochyłościach może być niebezpieczne. Nie kosić trawy na bardzo stromych zboczach. Nie należy używać maszyny na pochyłościach terenu przekraczających 15°.
- Zachować szczególną ostrożność podczas zmiany kierunku jazdy na zboczach. Należy używać maszyny, prowadząc ją w poprzek zbocza. Nie należy jeździć w górę i w dół zbocza.
- Zachować ostrożność podczas zbliżania się do narożników lub innych obiektów, które mogą ograniczać widoczność.
- Należy zawsze wiedzieć, jak szybko wyłączyć silnik w razie awarii.
- Nie używać urządzenia podczas deszczu ani w wilgotnym otoczeniu. Dostanie się wody do wnętrza urządzenia zwiększa ryzyko porażenia prądem.
- Nie należy obsługiwać maszyny, jeśli ostrze oraz wszystkie pokrywy nie zostały prawidłowo zamocowane. Nieprawidłowo zamocowane ostrze może się obluźować i spowodować obrażenia.
- Należy upewnić się, że ostrze nie uderza w żadne obiekty, takie jak kamienie czy korzenie. Może to spowodować uszkodzenie ostrza oraz wygięcie wału silnika. Zgięta oś powoduje silne wibracje oraz bardzo wysokie zagrożenie obluźowaniem ostrza.

Pracuj bezpiecznie



OSTRZEŻENIE: Przed rozpoczęciem użytkowania produktu przeczytać następujące ostrzeżenia.

- Używać maszyny wyłącznie do przycinania trawników. Nie jest dozwolone wykorzystanie maszyny do innych zadań.
- Stosuj środki ochrony osobistej. Patrz *Środki ochrony osobistej na stronie 510*.
- Jeśli ostrze uderzy w jakikolwiek obiekt lub jeśli wystąpią wibracje, należy natychmiast wyłączyć maszynę. Wyłączyć silnik, przekręcić kluczyk bezpieczeństwa w położenie 0, a następnie wyjąć akumulator (model LC 141iV i LC 141i) lub odłączyć przewód zasilający (model LC 141C). Należy sprawdzić

maszynę pod kątem uszkodzeń. Należy naprawić uszkodzenia lub zlecić przeprowadzenie naprawy przez autoryzowany punkt serwisowy.

- Nigdy nie należy na stałe przymocowywać uchwytu hamulca silnikowego do uchwytu podczas pracy silnika.
- Maszynę należy ustawić na stabilnej, płaskiej powierzchni i ją uruchomić. Należy upewnić się, że ostrza nie uderzają w podłoże lub inne przedmioty.
- Podczas obsługi maszyny zawsze należy stać za nią.
- Podczas obsługi maszyny należy upewnić się, że wszystkie koła dotykają podłoża oraz trzymać na kierownicy obie dłonie. Ręce i stopy należy trzymać z dala od obracających się noży.
- Nie przechylać produktu, kiedy uruchomiony jest silnik.
- Należy zachować ostrożność podczas ciągnięcia maszyny do tyłu.
- Nigdy nie należy podnosić maszyny przy włączonym silniku. Jeśli konieczne jest podniesienie urządzenia, należy najpierw wyłączyć silnik, przekręcić kluczyk

bezpieczeństwa w położenie 0, a następnie wyjąć akumulator (model LC 141iV i LC 141i) lub odłączyć przewód zasilający (model LC 141C).

- Nie należy poruszać się do tyłu podczas obsługi maszyny.
- Podczas poruszania się po obszarach bez trawy, na przykład po żwirowych, kamiennych lub asfaltowych ścieżkach, należy wyłączyć silnik.
- Nie należy biegać z maszyną przy włączonym silniku. Podczas obsługi maszyny zawsze należy poruszać się chodem.
- Przed zmianą wysokości koszenia należy wyłączyć silnik. Nigdy nie należy wykonywać regulacji przy uruchomionym silniku.
- Nigdy nie należy pozostawiać maszyny poza zasięgiem wzroku przy włączonym silniku. Należy wyłączyć silnik i upewnić się, że narzędzia tnące nie obracają się.

Instrukcje bezpieczeństwa dotyczące obsługi

Środki ochrony osobistej



OSTRZEŻENIE: Przed rozpoczęciem

użytkowania produktu przeczytać następujące ostrzeżenia.

- Środki ochrony osobistej nie eliminują całkowicie ryzyka odniesienia obrażeń, natomiast ograniczają ich rozmiar w razie zaistnienia wypadku. Skorzystać z pomocy dealera przy wyborze odpowiedniego sprzętu.
- Należy używać mocnego, przeciwpoślizgowego obuwia ochronnego lub obuwia roboczego. Nie należy używać otwartego obuwia lub chodzić boso.
- Stosować wytrzymałe, długie spodnie.
- W razie potrzeby, na przykład podczas mocowania, badania czy czyszczenia narzędzi tnących, stosować rękawice ochronne.

Zespoły zabezpieczające na osprzęcie



OSTRZEŻENIE: Przed rozpoczęciem użytkowania produktu przeczytać następujące ostrzeżenia.

- Nie należy używać maszyny z uszkodzonymi urządzeniami zabezpieczającymi.
- Regularnie przeprowadzać kontrole urządzeń zabezpieczających. Jeśli urządzenia zabezpieczające są uszkodzone, skontaktować się z warsztatem obsługi technicznej Husqvarna.

Sprawdzanie osłony modułu tnącego

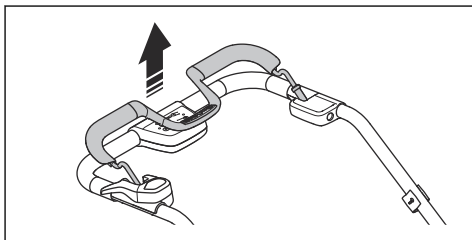
Osłona modułu tnącego ogranicza drgania urządzenia i obniża ryzyko odniesienia obrażeń od ostrza.

- Zbadać osłonę modułu tnącego, aby upewnić się, że nie nosi ona znamion uszkodzenia, takich jak pęknięcia.

Uchwyt hamulca silnika

Uchwyt hamulca silnika zatrzymuje silnik. Po zwolnieniu uchwytu hamulca silnika następuje wyłączenie silnika.

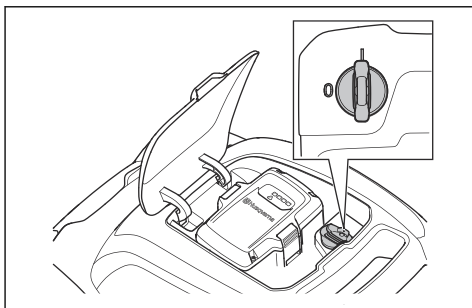
Aby przeprowadzić kontrolę hamulca silnika, należy uruchomić silnik, a następnie zwolnić uchwyt hamulca silnika. Jeśli silnik nie wyłączy się w czasie 3 sekund, autoryzowany punkt serwisowy Husqvarna powinien wyregulować hamulec silnika.



Kluczyk bezpieczeństwa (modele LC 141iV i LC 141i)

Kluczyk bezpieczeństwa znajduje się pod pokrywą akumulatora. Kluczyk bezpieczeństwa służy do podłączenia akumulatora, który zasila silnik.

- Uruchomić i wyłączyć silnik, aby przeprowadzić kontrolę kluczyka bezpieczeństwa.
- Jeżeli kluczyk bezpieczeństwa działa prawidłowo, silnik uruchomi się tylko po przekręceniu kluczyka w położenie 1.

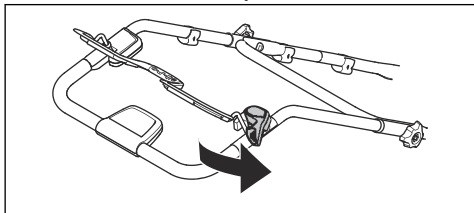


Sprawdzanie zabezpieczenia przed niepożądanym uruchomieniem

Skontrolować zabezpieczenie przed niepożądanym uruchomieniem urządzenia, aby upewnić się, że zapobiega ono uruchomieniu silnika.

1. Pchnąć dźwignię hamulca silnika w stronę drążka sterującego. Zabezpieczenie przed niepożądanym uruchomieniem urządzenia zatrzymuje ruch.

2. Popchnąć zabezpieczenie przed niepożądanym uruchomieniem na zewnątrz.

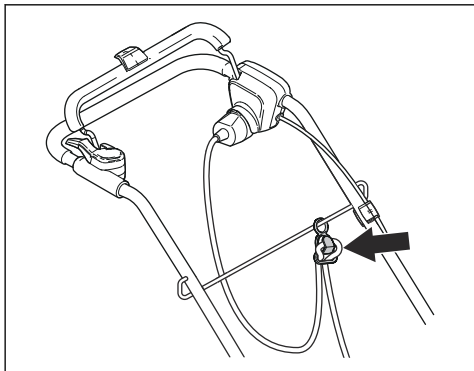


3. Zwolnić zabezpieczenie przed niepożądanym uruchomieniem urządzenia, aby upewnić się, że powróci do swojego położenia wyjściowego.

Korzystanie z uchwytu przewodu zasilającego (model LC 141C)

Uchwyt przewodu zasilającego zmniejsza napięcie na gnieździe zasilania i przewodzie. Uchwyt przewodu zasilającego zmniejsza również ryzyko upadku użytkownika.

1. Zagiąć przewód zasilający, aby utworzyć małą pętlę.
2. Umieścić pętlę w otworze w uchwycie przewodu zasilającego.
3. Założyć pętlę wokół haka.
4. Pociągnąć za przewód zasilający, aby zacisnąć pętlę na haku.



Zasady bezpieczeństwa związane z akumulatorem



OSTRZEŻENIE: Przed rozpoczęciem użytkowania produktu przeczytać następujące ostrzeżenia.

- Używać akumulatorów Husqvarna wyłącznie do zasilania powiązanych produktów Husqvarna. Aby uniknąć obrażeń, nie należy używać akumulatora jako źródła zasilania innych produktów.
- Nie korzystać z baterii jednorazowego użytku.
- Ryzyko porażenia prądem. Nie przykładać zacisków akumulatora do kluczy, monet, śrub lub innych metalowych przedmiotów. Może to spowodować zwarcie akumulatora.
- Nie wkładać żadnych przedmiotów do szczelin powietrznych akumulatora.
- Chronić akumulator przed bezpośrednim działaniem promieni słonecznych, wysoką temperaturą i otwartym płomieniem. Akumulator może wybuchnąć i spowodować oparzenia i/lub oparzenia chemiczne.
- Akumulator należy chronić przed deszczem i wodą.
- Akumulator należy chronić przed działaniem mikrofal i wysokiego ciśnienia.
- Nie próbować rozbierać ani rozbijać akumulatora.

- Jeśli doszło do wycieku z akumulatora, unikać kontaktu cieczy ze skórą i oczami. W przypadku dotknięcia cieczy przemyć skórę dużą ilością wody i zgłosić się do lekarza.
- Akumulator można użytkować w zakresie temperatur od -10°C do 40°C .
- Do czyszczenia akumulatora ani ładowarki nie należy używać wody. Patrz *Czyszczenie akumulatora i ładowarki na stronie 524.*
- Nie należy używać wadliwego ani uszkodzonego akumulatora.
- Przechowywać akumulatory z dala od metalowych przedmiotów, takich jak gwoździe, monety czy biżuteria.

Zasady bezpieczeństwa w czasie obsługi ładowarki



OSTRZEŻENIE: Przed rozpoczęciem użytkowania produktu przeczytać następujące ostrzeżenia.

- Używać ładowarki QC jedynie do ładowania akumulatorów wymiennych Husqvarna.
- Istnieje ryzyko porażenie prądem i zwarcia. Nie wkładać żadnych przedmiotów do szczelin wentylacyjnych ładowarki. Nie należy podejmować prób rozmontowania ładowarki. Nie zwierać końcówek ładowarki metalowymi przedmiotami. Należy korzystać z zatwierdzonego gniazda zasilania.
- Niniejszy produkt podczas pracy wytwarza pole elektromagnetyczne. W pewnych okolicznościach pole to może zakłócać pracę aktywnych lub pasywnych implantów medycznych. Przed użyciem tego produktu osoby z wszczepionym implantem medycznym powinny skonsultować się z lekarzem i producentem implantu w celu ograniczenia ryzyka poważnych lub śmiertelnych obrażeń.
- Należy regularnie sprawdzać, czy przewód zasilający ładowarki do akumulatora nie jest uszkodzony i popękany.
- Nie podnosić ładowarki do akumulatora za przewód zasilający. Aby odłączyć ładowarkę do akumulatora od gniazda, wyciągnąć wtyczkę. Nie ciągnąć z przewód.
- Uważać, aby przewód zasilający i przedłużacze nie

stykały się z wodą, olejem ani nie dotykały ostrych krawędzi. Uważać także, aby przewód nie został zakleszczony w drzwiach, furtkach, płotach itp. Może to spowodować, że ładowarka znajdzie się pod napięciem.

- Do czyszczenia ładowarki nie należy używać wody.
- Ładowarka do akumulatora może być używana przez dzieci, które przekroczyły 8 rok życia, oraz przez osoby o ograniczonych zdolnościach fizycznych, sensorycznych bądź umysłowych lub nie posiadające odpowiedniego doświadczenia i wiedzy, jeśli są one pod nadzorem lub zostały poinstruowane w zakresie bezpiecznego użytkowania ładowarki i rozumieją wiążące się z nią zagrożenia. Dzieci nie mogą bawić się ładowarką do akumulatora. Dzieci nie mogą bez nadzoru czyścić urządzenia ani przeprowadzać jego konserwacji.
- Nie należy ładować akumulatorów nieprzeznaczonych do ładowania.
- Nie używać ładowarki do akumulatora w pobliżu łatwopalnych materiałów lub

materiałów, które mogą powodować korozję. Ładowarki nie należy przykrywać. W razie zauważenia dymu lub ognia należy odłączyć ładowarkę od źródła zasilania.

- Nie należy używać wadliwej lub uszkodzonej ładowarki do akumulatora.
- Należy ładować akumulator wyłącznie wewnątrz budynku, w pomieszczeniu z dobrym przepływem powietrza i z dala od światła słonecznego. Nie ładować akumulatora w wilgotnym otoczeniu.

Bezpieczeństwo używania przewodu zasilającego

Model LC 141C.

- Zalecane jest stosowanie wyłącznika różnicowoprądowego (RCD) o prądzie wyłączeniowym nie większym niż 30 mA. Nawet gdy wyłącznik RCD jest zamontowany, nie ma 100% gwarancji bezpieczeństwa i należy zawsze przestrzegać procedur bezpiecznej pracy. Należy sprawdzać wyłącznik RCD przy każdym użyciu.
- Jeśli przewód zasilający jest przecięty lub izolacja jest uszkodzona, należy

bezzwłocznie odłączyć zasilanie sieciowe.

- Nie wolno dotykać przeciętego ani uszkodzonego przewodu zasilającego, dopóki zasilanie elektryczne nie zostanie odłączone.
- Nie wolno naprawiać przeciętego lub uszkodzonego przewodu zasilającego. Wymienić go na nowy.

Instrukcje bezpieczeństwa dotyczące konserwacji



OSTRZEŻENIE: Przed rozpoczęciem użytkowania produktu przeczytać następujące ostrzeżenia.

- Model LC 141iV, LC 141i: Aby zapobiec przypadkowemu włączeniu w trakcie prac konserwacyjnych, należy przekręcić klucz bezpieczeństwa w położenie „0” i wyjąć akumulator. Przed rozpoczęciem prac konserwacyjnych odczekać co najmniej 5 s.
- Model LC 141C: Aby zapobiec przypadkowemu uruchomieniu podczas konserwacji, należy odłączyć przewód zasilający.
- Prace konserwacyjne należy wykonywać w prawidłowy sposób, aby zwiększyć żywotność produktu i zmniejszyć ryzyko wypadków. Wykonanie profesjonalnych napraw należy zlecić autoryzowanemu punktowi serwisowemu. Więcej informacji można uzyskać w najbliższym punkcie serwisowym.
- Należy wykonywać jedynie prace konserwacyjne opisane w instrukcji obsługi. Większe i bardziej skomplikowane prace muszą być wykonywane w autoryzowanym punkcie serwisowym.
- Podczas obsługi osprzętu tnącego należy zakładać specjalistyczne rękawice. Ostrze jest bardzo ostre i może łatwo doprowadzić do skaleczenia.
- Aby uzyskać jak najlepsze efekty i zapewnić bezpieczeństwo, należy utrzymywać krawędzie tnące naostrzone i czyste.
- Regularnie oddawać urządzenie do autoryzowanego punktu serwisowego w celu jego kontroli i dokonania koniecznych regulacji lub napraw.
- Wymienić uszkodzone, zużyte lub zniszczone części.
- Należy przestrzegać instrukcji wymiany akcesoriów. Używać

wyłącznie akcesoriów od producenta urządzenia.

- Gdy urządzenie nie jest użytkowane, należy przechowywać produkt, akumulator i ładowarkę z dala

od siebie, w suchym i zamkniętym pomieszczeniu. Upewnić się, że dzieci ani osoby niepowołane nie mogą uzyskać dostępu do produktu, akumulatora ani ładowarki.

Montaż

Wstęp



OSTRZEŻENIE: Przed montażem produktu należy przeczytać rozdział dotyczący bezpieczeństwa.

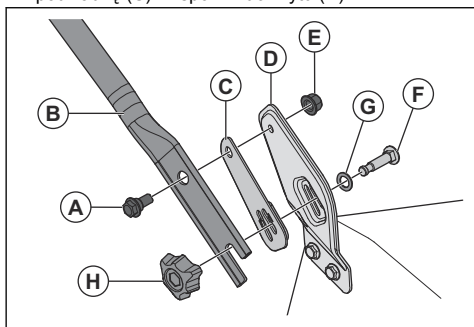


OSTRZEŻENIE: Model LC 141iV, LC 141i: Aby uniknąć niezamierzonego uruchomienia w trakcie montażu, należy przekreślić kluczyk zabezpieczający w położeniu „0”, wyjąć akumulator i odczekać przynajmniej 5 s.

Model LC 141C: Aby zapobiec przypadkowemu uruchomieniu podczas montażu, należy odłączyć przewód zasilający.

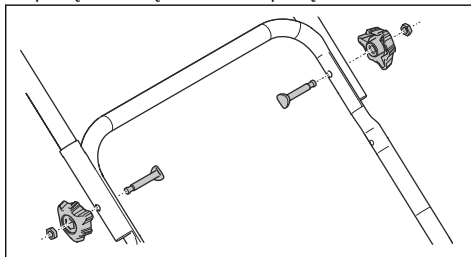
Montaż uchwytu

1. Przepchnąć śrubę (A) przez uchwyt (B), plastikową podkładkę (C) i wspornik uchwytu (D).

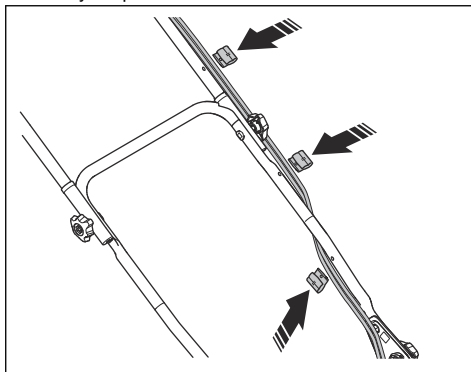


2. Całkowicie dokręcić nakrętkę (E).
3. Przepchnąć śrubę (F) przez podkładkę (G) i wspornik uchwytu.
4. Dokręcić pokręto (H) do końca.

5. Wyrównać otwory w drążku sterującym z otworami w uchwycie dolnym i zamocować śruby, podkładki i pokrętła. Dokręcić do końca pokrętła.

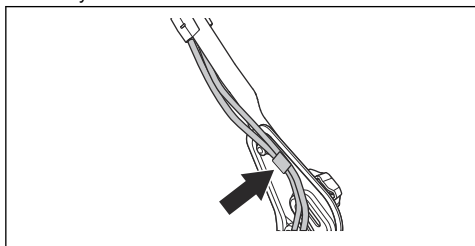


6. Zamocować przewody do uchwytu za pomocą uchwytów przewodów.



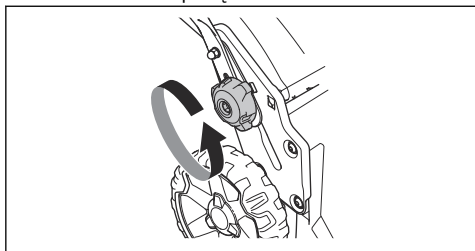
Uwaga: Upewnić się, że napięcie przewodów nie jest zbyt wysokie. Zbyt mocne napięcie może spowodować uszkodzenie przewodu w przypadku złożenia uchwytu do położenia transportowego.

7. Owinąć przewody wokół haka w dolnej części uchwytu.

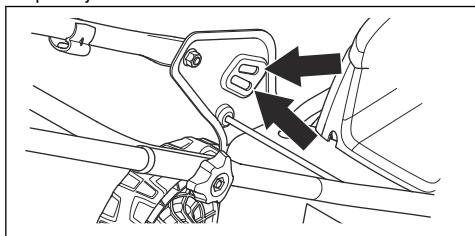


Regulacja wysokości uchwytu

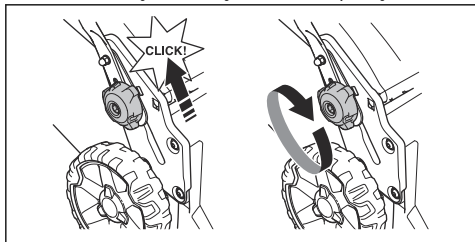
1. Poluzować dolne pokrętła.



2. Zdjąć pokrętło, podkładkę i śrubę po lewej i prawej stronie.
3. Uchwyt można ustawić na 2 różnych wysokościach. Włożyć śrubę do jednego z 2 otworów po lewej i prawej stronie.

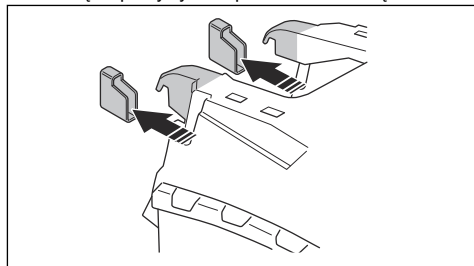


4. Zamocować śruby, podkładki i pokrętła.
5. Przesunąć pokrętła w górę w kierunku uchwytu aż do zatrzaśnięcia. Dokręcić do końca pokrętła.

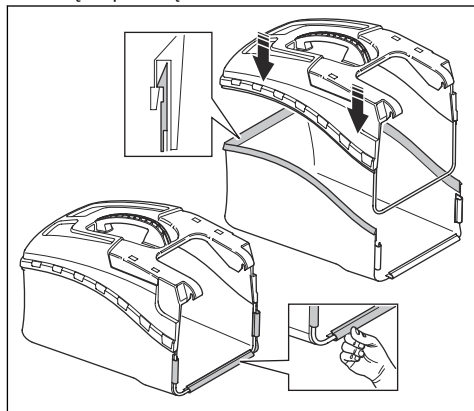


Montaż pojemnika na trawę

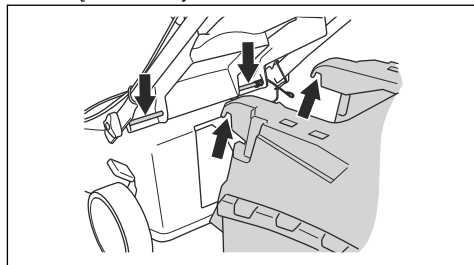
1. Pchnąć 2 pokrywy transportowe na zewnątrz i w dół.



2. Zamocować górną część pojemnika na trawę do jego dolnej części. Przymocować ramę pojemnika na trawę za pomocą zacisków.



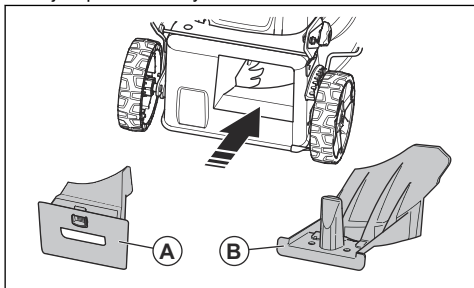
3. Unieść tylną pokrywę.
4. Zamocować haki pojemnika na trawę do górnej krawędzi obudowy.



Montaż zestawu rozdrabniającego

1. Unieść tylną pokrywę i wyjąć pojemnik na trawę.

2. Włożyć wkładkę rozdrabniającą do kanału otworu wylotowego trawy. Wkładka rozdrabniająca typu A jest przeznaczona do modeli LC 141i i LC 141C. Typ B jest przeznaczony dla modelu LC 141iV.



3. Zamknąć tylną pokrywę.
4. Wymienić ostrze na ostrze Combi, patrz *Demontaż i wymiana ostrza na stronie 524*.

Przeznaczenie

Wstęp



OSTRZEŻENIE: Przed użyciem urządzenia należy przeczytać ze zrozumieniem rozdział poświęcony bezpieczeństwu.

Husqvarna Connect

Husqvarna Connect to darmowa aplikacja na urządzenia mobilne. Husqvarna Connect/Husqvarna

- Extended product information.
- Information about, and help with, product parts and servicing.

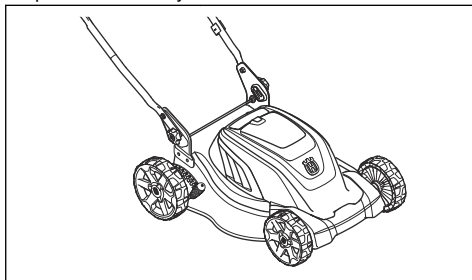
Rozpoczęcie użytkowania Husqvarna Connect

1. Pobierz aplikację Husqvarna Connect na swoim urządzeniu mobilnym.
2. Zarejestruj się w aplikacji Husqvarna Connect.
3. Wykonaj instrukcje wyświetlane w aplikacji Husqvarna Connect, aby nawiązać połączenie i zarejestrować produkt.

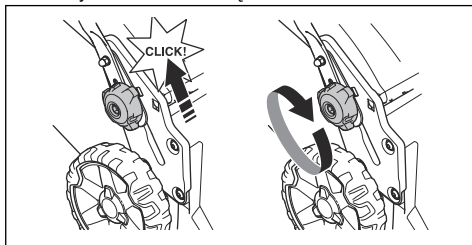
Ustawienie kosiarki w pozycji roboczej

Jeśli uchwyt jest ustawiony w położeniu transportowym i spoczynkowym (patrz *Ustawienie kosiarki w pozycji transportowej na stronie 526*), należy wykonać poniższą procedurę, aby ustawić uchwyt w położeniu roboczym.

1. Podnieść uchwyt, aż uchwyt dolny zablokuje się w położeniu roboczym.

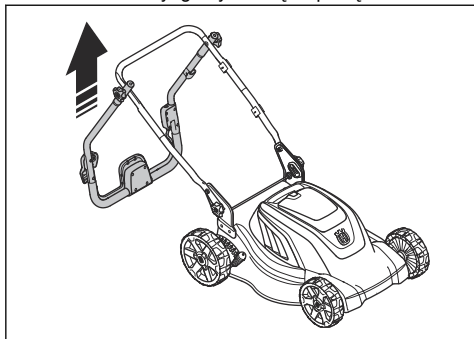


2. Przesunąć pokrętło dolne w górę w kierunku uchwytu aż do zatrzaśnięcia.



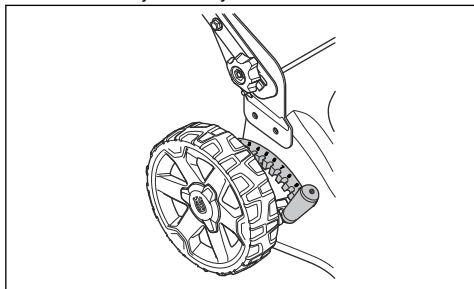
3. Dokręcić pokrętła.

4. Podnieść uchwyt górny i dokręcić pokrętkę.



Regulacja wysokości koszenia

1. Przesunąć dźwignię wysokości koszenia do tyłu w celu zwiększenia wysokości koszenia.
2. Przesunąć dźwignię wysokości koszenia do przodu w celu zmniejszenia wysokości koszenia.



UWAGA: Nie należy ustawiać zbyt niskiej wysokości koszenia. Ostrza mogą uderzyć w podłoże, jeśli powierzchnia trawnika nie jest równa.

Akumulator

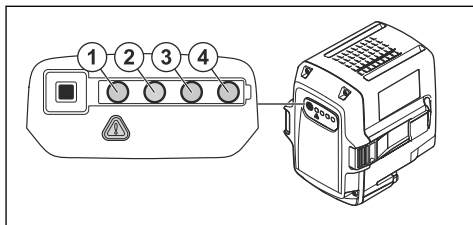


OSTRZEŻENIE: Przed rozpoczęciem korzystania z akumulatora należy przeczytać ze zrozumieniem rozdział poświęcony bezpieczeństwu. Należy również przeczytać uważnie instrukcję obsługi dołączonej do akumulatora i ładowarki.

Stan akumulatora

Na wyświetlaczu pokazywane są informacje o stanie naładowania akumulatora i sygnalizowane ewentualne problemy. Stan naładowania akumulatora jest wyświetlany przez 5 s po wyłączeniu urządzenia lub po naciśnięciu przycisku wskaźnika akumulatora. W przypadku wystąpienia błędu włącza się symbol

ostrzegawczy na akumulatorze. Patrz *Akumulator na stronie 525*.



Diody LED	Stan akumulatora
Świecą się wszystkie diody LED.	W pełni naładowany (75–100%).
Świecą się diody LED 1, LED 2, LED 3.	Poziom naładowania akumulatora 50–75%.
Świecą się diody LED 1, LED 2.	Poziom naładowania akumulatora 25–50%.
Świeci się dioda LED 1.	Poziom naładowania akumulatora: 0–25%.
Miga dioda LED 1.	Akumulator rozładowany. Naładuj akumulator.

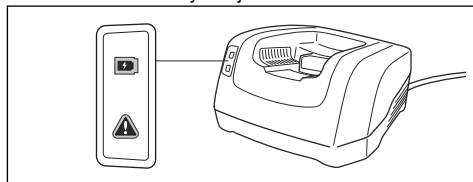
Ładowanie akumulatora

Przed pierwszym użyciem należy naładować akumulator. W chwili dostawy do klienta akumulator jest naładowany jedynie w 30%.

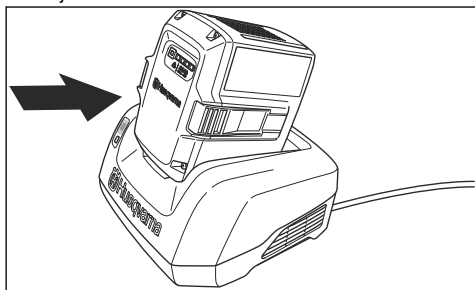
Uwaga: Ładowarka do akumulatora musi zostać podłączona do napięcia i częstotliwości wskazanych na tabliczce znamionowej.

Akumulator nie ładuje się, gdy temperatura akumulatora przekracza 50°C. Przed rozpoczęciem ładowania ładowarka zmniejsza temperaturę akumulatora.

1. Podłączyć jeden koniec przewodu zasilającego ładowarki do gniazda ładowarki.
2. Podłączyć drugi koniec przewodu zasilającego ładowarki do gniazda sieciowego z uziemieniem. Dioda ładowarki błysnie jeden raz na zielono.



3. Włóż akumulator do ładowarki. Kiedy akumulator jest prawidłowo podłączony do ładowarki, włącza się na niej zielona dioda.



4. Akumulator jest całkowicie naładowany, gdy włącza się wszystkie diody. Akumulator można ładować przez maks. 24 godziny.
5. Aby odłączyć ładowarkę od gniazda sieciowego, należy ciągnąć za wtyczkę, a nie za przewód.
6. Akumulator należy wyjąć z ładowarki.

Stan ładowania akumulatora

Akumulator litowo-jonowy Husqvarna można ładować i używać przy różnych poziomach naładowania. Akumulator nie jest uszkodzony. W pełni naładowany akumulator nie będzie się rozładowywał, nawet jeśli zostanie w ładowarce.

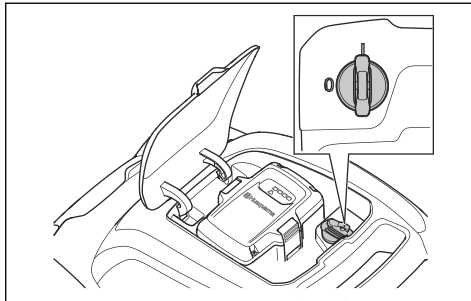
Wyświetlacz LED	Stan ładowania
Miga dioda LED 1.	0–25%
Dioda LED 1 świeci, a dioda LED 2 miga.	25–50%
Diody LED 1 i LED 2 świecą, a dioda LED 3 miga.	50–75%
Diody LED 1, LED 2 i LED 3 świecą, a dioda LED 4 miga.	75–100%
Świecą diody LED 1, LED 2, LED 3 i LED 4	Akumulator całkowicie naładowany

Obsługa modeli LC 141iV i LC 141i

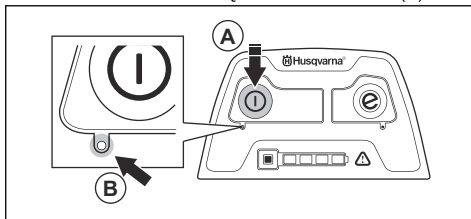
Uruchamianie urządzenia

1. Umieścić naładowany akumulator w komorze.

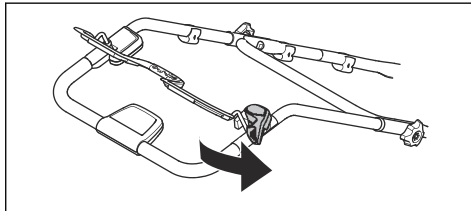
2. Obrócić kluczyk bezpieczeństwa do położenia 1.



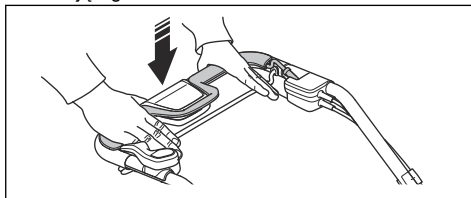
3. Należy pozostawać za maszyną.
4. Nacisnąć przycisk WŁ./WYŁ. (A) na panelu sterowania. Zaświeci się zielona dioda LED (B).



5. Poluzować opóźniacz rozruchu.

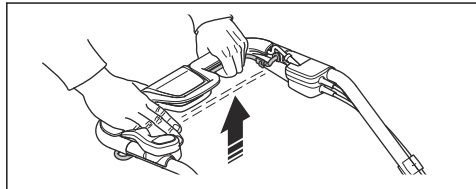


6. Pchnąć dźwignię hamulca silnika w stronę drążka sterującego.

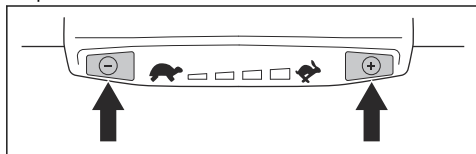


Korzystanie z napędu kół

- Model LC 141iV. Pociągnąć dźwignię napędu w kierunku drążka sterującego, aby włączyć napęd.



- Za pomocą przycisków + i - na panelu sterowania można ustawić prędkość jazdy na jeden z 4 poziomów.

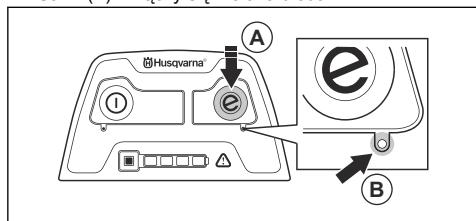


- Zwolnić dźwignię napędu, aby odłączyć napęd na przykład w sytuacji zbliżania się do przeszkody.

Korzystanie z funkcji SavE

Urządzenie wyposażone jest w funkcję oszczędzania akumulatora (SavE), która zapewnia dłuższy czas pracy.

1. Aby uruchomić funkcję, należy nacisnąć przycisk SavE (A). Włączy się zielona dioda.



2. Ponowne naciśnięcie przycisku SavE wyłączy funkcję. Zgaśnie zielona dioda (B).

Funkcja SavE zostanie wyłączona automatycznie, jeśli okaże się, że stan podłoża wymaga zastosowania większej mocy. Funkcja SavE uruchomi się automatycznie, gdy tylko stan podłoża na to pozwoli.

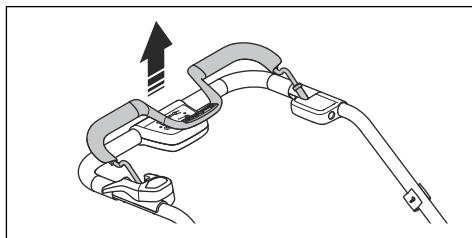
Funkcja dużego obciążenia

Jeżeli urządzenie jest używane do ścinania mokrej lub długiej trawy, silnik automatycznie zwiększy prędkość obrotową. Silnik powróci do trybu standardowego, gdy wysokie obciążenie nie będzie już potrzebne.

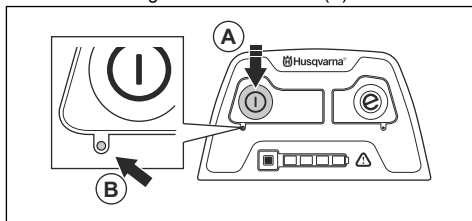
Zatrzymywanie urządzenia

Urządzenie zatrzymuje się automatycznie, jeśli nie jest używane przez 10 min. Przed pozostawieniem produktu poza zasięgiem wzroku zawsze należy ustawić kluczyk bezpieczeństwa w położeniu 0.

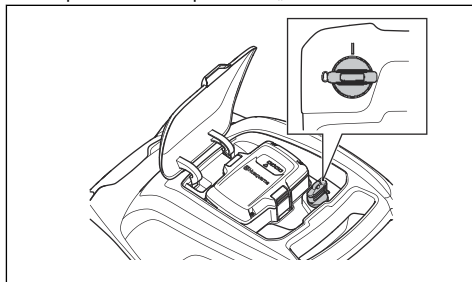
1. Aby wyłączyć silnik, należy zwolnić uchwyt hamulca silnika.



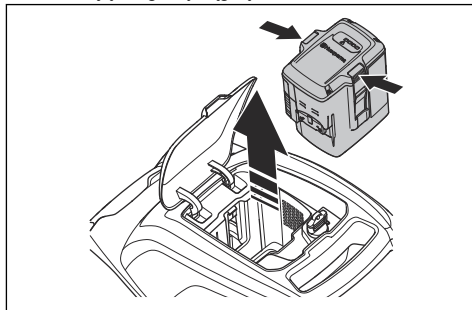
2. Nacisnąć przycisk WŁ./WYŁ. (A) na panelu sterowania. Zgaśnie zielona dioda (B).



3. Otworzyć pokrywę akumulatora i obrócić kluczyk bezpieczeństwa w położeniu „0”.



4. Aby wyjąć akumulator, nacisnąć 2 przyciski zwalniające i go wyciągnąć.



5. Jeżeli poziom naładowania akumulatora jest niski, należy go naładować. Więcej informacji można znaleźć w rozdziale *Ładowanie akumulatora na stronie 519*.

Obsługa modelu LC 141C

Wybór odpowiedniego przewodu (LC 141C)

Uwaga: Na rynku brytyjskim należy używać wyłącznie przedłużacza 16M, który jest dołączony do produktu. W przypadku pozostałych rynków należy zapoznać się z poniższymi informacjami.

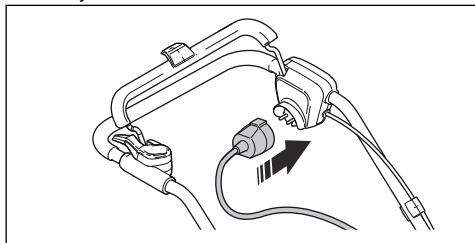
W przypadku używania przedłużacza, przekrój poprzeczny jego żył musi być zgodny z wartościami podanymi w poniższej tabeli:

Napięcie	Długość przewodu	Przekrój
220–240 V/50 Hz	Do 20 m	1,5 mm ²
220–240 V/50 Hz	20–50 m	2,5 mm ²

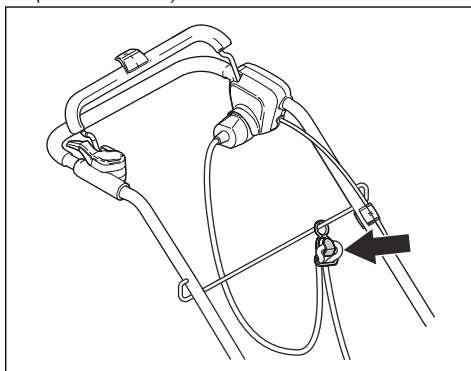
- Przewody sieciowe i przedłużacze są dostępne w lokalnym serwisie produktów Husqvarna używanych na zewnątrz.
- Należy używać wyłącznie przedłużaczy zaprojektowanych specjalnie do użytku na zewnątrz budynków oraz zgodnych z jedną z następujących norm: standardowe z powłoką gumową (60245 IEC 53), standardowe z powłoką z PCV (60227 IEC 53) lub standardowe z powłoką z PCP (60245 IEC 57).
- Jeśli przewód zasilający jest uszkodzony, musi zostać wymieniony przez producenta, autoryzowany serwis lub podobnie wykwalifikowaną osobę, aby uniknąć niebezpieczeństwa.

Uruchamianie produktu

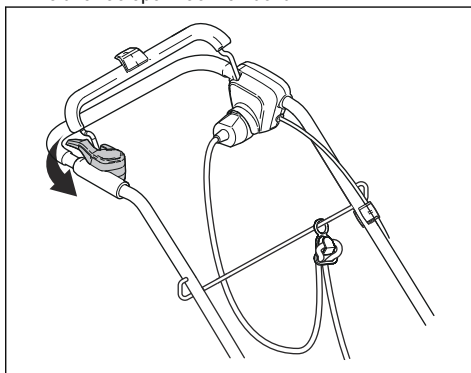
1. Podłączyć przewód zasilający do gniazda pod uchwytem.



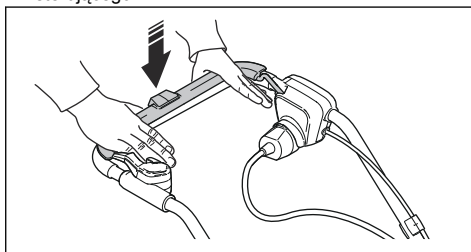
2. Umieścić przewód zasilania w uchwycie. Patrz *Korzystanie z uchwytu przewodu zasilającego (model LC 141C) na stronie 512.*



3. Należy pozostawać za maszyną.
4. Poluzować opóźniacz rozruchu.

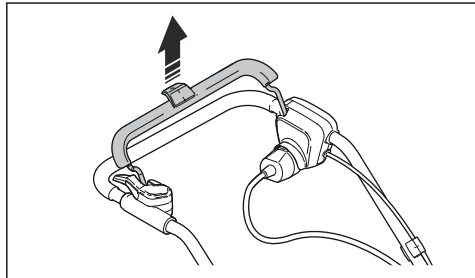


5. Pchnąć dźwignię hamulca silnika w stronę drążka sterującego.

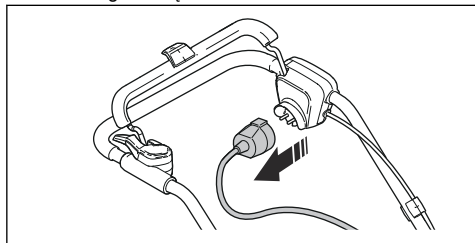


Zatrzymywanie

1. Aby wyłączyć silnik, należy zwolnić uchwyt hamulca silnika.



2. Odłączyć przewód zasilający od zasilania sieciowego i urządzenia.



UWAGA: Wyciągnąć wtyk na wprost. Nie ciągnąć z przewód.

Uzyskiwanie dobrych rezultatów

- Używać zawsze dobrze naostrzonych ostrzy. Stępione ostrze daje nierównomierne rezultaty, a ścinana powierzchnia żółknie. Naostrzone ostrze zużywa również mniej energii niż ostrze stępione.
- Nie należy kosić więcej niż $\frac{1}{3}$ długości trawy. Najpierw należy kosić przy użyciu dużej wysokości koszenia. Zbadać rezultaty i obniżyć wysokość koszenia do odpowiedniego poziomu. Jeśli trawa jest bardzo długa, w razie konieczności należy przejechać powoli i ściąć dwukrotnie.
- Kosić za każdym razem w różnych kierunkach, aby uniknąć powstawania pasów na trawniku.

Przegląd

Wstęp



OSTRZEŻENIE: Przed przeprowadzeniem konserwacji należy przeczytać i zrozumieć rozdział o bezpieczeństwie.

Do wykonywania wszelkich prac serwisowych i naprawczych konieczne jest specjalistyczne przeszkolenie. Gwarantujemy dostępność profesjonalnych napraw i usług serwisowych. Jeśli dany dealer nie jest autoryzowanym punktem serwisowym,

poproś sprzedawcę o informacje na temat najbliższego autoryzowanego punktu serwisowego.

Plan konserwacji

Odstępy pomiędzy konserwacjami obliczane są w oparciu o codzienne wykorzystanie produktu. Odstępy te ulegają zmianie, jeśli maszyna nie jest użytkowana codziennie.

Czynności konserwacyjne oznaczone znakiem * objaśniono w części *Zespoły zabezpieczające na osprzęcie na stronie 511*.

LC 141IV, LC 141I i LC 141C	Każde użycie	Co miesiąc	Co sezon
Przeprowadzić ogólny przegląd.	X		
Wyczyścić produkt.	X		
Sprawdzić zabezpieczenie przed niepożądanym uruchomieniem.*	X		
Sprawdzić, czy urządzenia zabezpieczające są sprawne.*	X		
Sprawdzić osprzęt tnący.*	X		
Sprawdzić osłonę cięcia.*	X		
Sprawdzić uchwyt hamulca silnika.*	X		

Tylko modele LC 141IV i LC 141I	Każde użycie	Co miesiąc	Co sezon
Sprawdzić, czy przycisk WŁ./WYŁ. działa poprawnie i jest sprawny.	X		
Sprawdzić akumulator pod kątem uszkodzeń.	X		
Sprawdzić naładowanie akumulatora.	X		
Sprawdzić, czy przyciski zwalniające akumulator działają prawidłowo oraz czy blokuje się on na miejscu w urządzeniu.	X		
Sprawdzić, czy ładowarka nie jest uszkodzona oraz czy działa prawidłowo.		X	
Sprawdzić połączenia pomiędzy akumulatorem a urządzeniem. Sprawdzić również połączenie pomiędzy akumulatorem a ładowarką.			X

Przegląd ogólny

- Należy upewnić się, że nakrętki i śruby maszyny są dokręcone.
- Upewnić się, że przewody urządzenia nie znajdują się w położeniu, w którym mogłyby ulec uszkodzeniu.

Czyszczenie produktu

- Plastikowe części należy czyścić czystą i suchą ściereczką.
- Do czyszczenia urządzenia nie należy używać wody. Woda mogłaby dostać się do akumulatora lub silnika i wywołać zwarcie lub uszkodzenie urządzenia.
- Nie używać myjek wysokociśnieniowych do czyszczenia urządzenia.
- Nie polewać silnika bezpośrednio wodą.
- W celu usunięcia liści, trawy i brudu należy użyć szczotki.

Czyszczenie akumulatora i ładowarki



UWAGA: Do czyszczenia akumulatora ani ładowarki nie należy używać wody.

- Przed włożeniem akumulatora do ładowarki należy sprawdzić, czy akumulator i ładowarka są czyste i suche.
- Zaciski akumulatora należy czyścić sprężonym powietrzem lub miękką i suchą szmatką.
- Powierzchnie akumulatora i ładowarki należy czyścić miękką i suchą szmatką.

Kontrola osprzętu tnącego



OSTRZEŻENIE: Modele LC 141IV i LC 141I: Aby zapobiec przypadkowemu uruchomieniu, należy przekręcić kluczyk zabezpieczający do położenia 0, wyjąć akumulator i odczekać przynajmniej 5 s.

Model LC 141C: Aby zapobiec przypadkowemu uruchomieniu, należy odłączyć przewód zasilający.



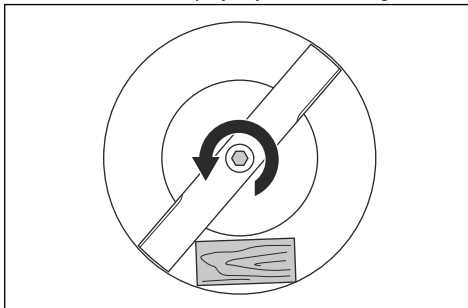
OSTRZEŻENIE: W trakcie konserwacji narzędzi tnących należy korzystać z rękawic ochronnych. Ostrze jest bardzo ostre i może łatwo doprowadzić do skaleczenia.

- Należy skontrolować, czy osprzęt tnący nie jest uszkodzony bądź pęknięty. Zawsze wymieniać uszkodzony osprzęt tnący.
- Obejrzeć ostrze i upewnić się, że nie jest uszkodzone lub stępione.

Uwaga: Po ostrzeniu ostrze należy wypoziomować. Ostrzenie, wymiana i poziomicowanie ostrza winno zostać przeprowadzone przez centrum serwisowe. W przypadku uderzenia w przeszkodę, która zatrzymuje maszynę, należy wymienić uszkodzone ostrze. Pozwolić, aby przedstawiciel serwisowy oszacował, czy ostrze można naostrzyć czy wymienić.

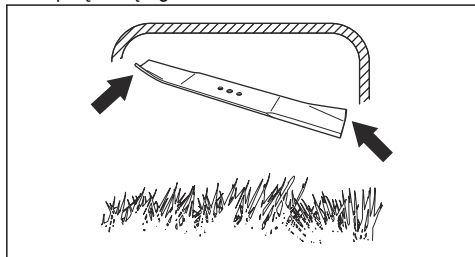
Demontaż i wymiana ostrza

- Zablokować ostrze przy użyciu drewnianego bloku.



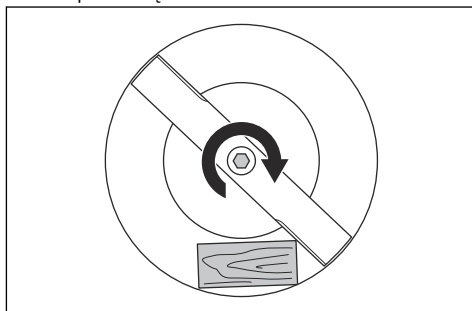
- Wymontować śrubę ostrza.

3. Zdjąć ostrze.
4. Skontrolować wspornik ostrza oraz śrubę ostrza pod kątem uszkodzeń.
5. Skontrolować wał silnika, aby upewnić się, że nie jest zgięty.
6. Podczas mocowania nowego ostrza należy skierować zakrzywione końce ostrza ku osłonie osprzętu tnącego.



7. Upewnić się, że ostrze jest wyrównane względem środka wału silnika.

8. Zablokować ostrze przy użyciu drewnianego bloku. Zamocować podkładkę sprężynową i dokręcić śrubę oraz podkładkę momentem 20 Nm.



9. Obracać ostrzem za pomocą ręki i sprawdzić, czy obraca się swobodnie.



OSTRZEŻENIE: Nosić solidne rękawice ochronne. Ostrze jest bardzo ostre i może łatwo doprowadzić do skaleczenia.

10. Uruchomić maszynę w celu przetestowania ostrza. Jeśli ostrze nie zostało zamontowane prawidłowo, maszyna będzie wibrować lub rezultaty koszenia będą niezadowalające.

Rozwiązywanie problemów

Akumulator

Dioda na akumulatorze	Przyczyna	Rozwiązanie
Miga zielona dioda LED.	Napięcie akumulatora jest niskie.	Naładować akumulator. Patrz <i>Ładowanie akumulatora na stronie 519</i> .
Miga dioda LED błędu.	Akumulator jest słaby.	Naładować akumulator. Patrz <i>Ładowanie akumulatora na stronie 519</i> .
	Temperatura środowiska pracy jest zbyt wysoka lub zbyt niska.	Akumulator można użytkować w zakresie temperatur od -10°C do 40°C.
	Przebiegnięcie.	Sprawdzić, czy napięcie sieciowe jest takie, jak podano na tabliczce znamionowej na urządzeniu. Wyjąć akumulator z ładowarki. Odczekać 5 s i spróbować ponownie naładować akumulator. Jeśli problem utrzymuje się, skontaktować się z autoryzowanym warsztatem obsługi technicznej.
Dioda LED błędu jest włączona.	Zbyt wysoka różnica między ogniwami akumulatora (1 V).	Skontaktować się z autoryzowanym punktem serwisowym.

Ładowarka

Dioda na ładowarce	Przyczyna	Rozwiązanie
Miga dioda LED błędu.	Temperatura środowiska pracy jest zbyt wysoka lub zbyt niska.	Ładowarkę akumulatora można użytkować w zakresie temperatur od 5°C do 40°C.
Dioda LED błędu jest włączona.		Skontaktować się z autoryzowanym punktem serwisowym.

Panel sterowania

W przypadku wystąpienia problemów innych niż opisane w tej sekcji skontaktuj się z punktem serwisowym.

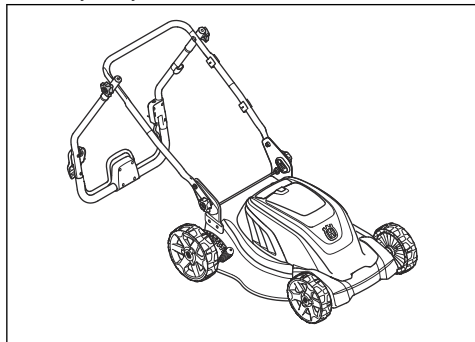
Klawiatura	Możliwe usterki	Możliwe działania
Miga dioda LED błędu	Silnik jest przeciążony.	Zwiększyć wysokość koszenia. Patrz <i>Regulacja wysokości koszenia na stronie 519</i> .
	Prędkość obrotowa silnika spada zbyt mocno i silnik wyłącza się.	
	Sterownik silnika jest zbyt gorący.	Wyłączyć silnik i poczekać, aż ostygnie.
	Ostrze jest zablokowane	Aby uniknąć niezamierzonego uruchomienia, należy przekręcić kluczyk zabezpieczający w położenie 0, wyjąć akumulator i odczekać przynajmniej 5 s. Upewnić się, że ostrze może się swobodnie obracać. Jeśli problem utrzymuje się, skontaktować się z autoryzowanym punktem serwisowym.
	Błąd akumulatora lub brak sygnału z akumulatora	Prawidłowo umieścić akumulator w urządzeniu i sprawdzić złącze akumulatora. Jeśli miga dioda błędu na akumulatorze, patrz <i>Akumulator na stronie 525</i> .
Urządzenie wyłącza się.	Akumulator jest słaby	Naładuj akumulator. Patrz <i>Ładowanie akumulatora na stronie 519</i> .
	Błąd złącza akumulatora	Sprawdzić złącze akumulatora.

Transport, przechowywanie i utylizacja

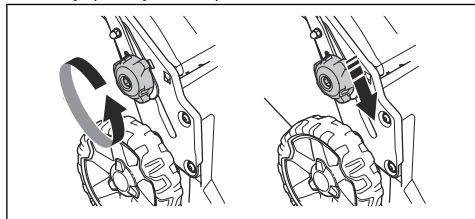
Ustawienie kosiarki w pozycji transportowej

1. Wymontować pojemnik na trawę (jeśli jest zamontowany).

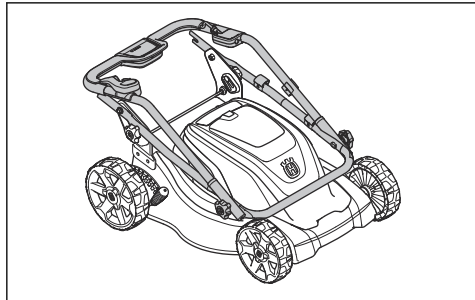
2. Poluzować pokrętła w uchwycie górnym i złożyć uchwyt do tyłu.



3. Poluzować dolne pokrętła.
4. Przesunąć pokrętła do dolnych końców rowków po lewej i prawej stronie produktu.



5. Złożyć rękojeść do przodu.



Transport

- Przepisy dotyczące towarów niebezpiecznych mają zastosowanie do dołączonych akumulatorów litowo-jonowych.
- W przypadku transportu komercyjnego należy przestrzegać specjalnych wymagań umieszczonych na opakowaniu i etykietach.
- W trakcie przygotowywania urządzenia do transportu należy upewnić się, że postępuje się zgodnie z przepisami dotyczącymi materiałów niebezpiecznych. Mogą obowiązywać również lokalne przepisy.
- Zawsze wyjmować akumulator na czas transportu.

- Na złączach akumulatora należy przykleić taśmę i upewnić się, że akumulator nie może się przemieszczać w trakcie transportu.
- W trakcie transportu urządzenie należy zamocować.

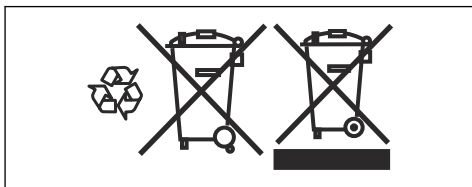
Przechowywanie

- Zawsze wyjmować akumulator do przechowywania.
- Aby uniknąć wypadków, upewnić się, że akumulator jest odłączony od produktu podczas przechowywania.
- Akumulator należy trzymać w zamkniętym i suchym miejscu.
- Akumulator i ładowarkę należy trzymać w suchym miejscu, w którym nie występuje wilgoć ani mróz.
- Na czas przechowywania odłączyć akumulator od ładowarki.
- Nie przechowywać akumulatora w miejscu, gdzie może występować elektryczność statyczna. Nie przechowywać akumulatora w metalowym pojemniku.
- Akumulator należy przechowywać w temperaturze od 5°C do 25°C, w miejscu osłoniętym przed działaniem promieni słonecznych.
- Ładowarkę należy przechowywać w temperaturze od 5°C do 45°C, w miejscu osłoniętym przed działaniem promieni słonecznych.
- Przed odstawieniem urządzenia na dłuższe przechowywanie należy upewnić się, że poziom naładowania akumulatora wynosi 30%–50%.
- Urządzenie, akumulator i ładowarkę należy trzymać w zamkniętym pomieszczeniu, niedostępnym dla dzieci ani osób nieupoważnionych.
- Przed odstawieniem urządzenia na dłuższe przechowywanie należy je wyczyścić oraz przeprowadzić pełny przegląd.

Utylizacja

Symbole znajdujące się na urządzeniu oraz na opakowaniu informują o tym, że nie wolno traktować go jak zwykłego odpadu domowego. Musi ono zostać oddane do odpowiedniego punktu pobierania surowców wtórnych, zajmującego się przetwarzaniem urządzeń elektrycznych oraz elektronicznych.

Przekazując produkt w odpowiednie miejsce, pomagasz przeciwdziałać jego potencjalnemu negatywnemu wpływowi na środowisko naturalne i ludzi. Aby uzyskać więcej informacji na temat recyklingu niniejszego produktu, skontaktować się z urzędem miasta lub gminy, przedsiębiorstwem gospodarki komunalnej albo punktem sprzedaży, w którym produkt został kupiony.



Dane techniczne

Dane techniczne LC 141iV, LC 141i

	LC 141iV	LC 141i
Silnik koszący		
Typ silnika	BLDC (bezszcotkowy) 36 V	BLDC (bezszcotkowy) 36 V
Prędkość silnika – SavE, obr./min	2700	2700
Prędkość silnika – nominalna, obr./min	3100	3100
Prędkość silnika – duże obciążenie, obr./min	3700	3700
Moc silnika – maks., kW	0,8	0,8
Moc silnika – nominalna, kW	0,55	0,55
Silnik napędowy		
Moc silnika – nominalna, kW	0,25	nie dot.
Prędkość chodu, km/h	3,0–4,5	nie dot.
Poziomy regulacji prędkości	4	nie dot.
Waga		
Ciężar bez akumulatora (kg)	21,5	18,6
Akumulator ¹²⁷		
Typ akumulatora	Akumulatory z serii Husqvarna	Akumulatory z serii Husqvarna
Czas pracy na akumulatorze		
Czas pracy akumulatora, min. (swobodna praca) z aktywną funkcją SavE, z jednym akumulatorem Husqvarna 5,2 Ah (Bli200).	77	77
Czas pracy akumulatora, min. (swobodna praca) w trybie standardowym, z jednym akumulatorem Husqvarna 5,2 Ah (Bli200).	45	45
Poziom hałasu ¹²⁸		
Zmierzony poziom mocy akustycznej, dB(A)	88	88
Poziom głośności, gwarantowana moc akustyczna L _{WA} dB(A)	89	89
Poziomy głośności ¹²⁹		
Poziom ciśnienia akustycznego przy uchu operatora, dB(A)	83	83

¹²⁷ W celu uzyskania najlepszych wyników zalecany jest akumulator Husqvarna BLi200.

¹²⁸ Emisję hałasu do otoczenia zmierzono jako moc akustyczną (L_{WA}), zgodnie z dyrektywą WE 2000/14/WE.

¹²⁹ Odnotowane dane dla ciśnienia akustycznego mają typowe rozproszenie statystyczne (odchylenie standardowe) w wysokości 1,2 dB (A).

	LC 141V	LC 141i
Poziomy drgań ¹³⁰		
Uchwyt, m/s ²	2,0	2,0
Koszenie		
Wysokość koszenia, mm	25–70	25–70
Szerokość koszenia, cm	41	41
Nóż, numer artykułu	Zbieranie – 5011716-01	Zbieranie – 5011716-01
Pojemność pojemnika na trawę, w litrach	50	50

Zatwierdzone akumulatory	Marka	Typ	Pojemność akumulatora, Ah	Napięcie, V	Masa, funty/kg
BLi10	Husqvarna	Litowo-jonowy	2,0	36	1,8/0,8
BLi100	Husqvarna	Litowo-jonowy	2,6	36	1,9/0,8
BLi20	Husqvarna	Litowo-jonowy	4,0	36	2,7/1,2
BLi200	Husqvarna	Litowo-jonowy	5,2	36	2,8/1,3
BLi300	Husqvarna	Litowo-jonowy	9,4	36	4,1/1,9

Zatwierdzone ładowarki obsługujące określone akumulatory,	Marka	Napięcie wejściowe, V	Częstotliwość, Hz	Moc, W
QC80	Husqvarna	100–240	50–60	80
QC80F	Husqvarna	12	0	80
QC250	Husqvarna	220–240	50	250
QC330	Husqvarna	100–240	50–60	330
QC500	Husqvarna	100–240	50–60	500

Dane techniczne LC 141C

LC 141C	
Silnik	
Typ silnika	Silnik AC
Prędkość silnika – nominalna, obr./min	3200
Moc	1800 W

¹³⁰ Odnotowane dane dla poziomu wibracji mają typowe rozproszenie statystyczne (odchylenie standardowe) w wysokości 0,2 m/s².

	LC 141C
Źródło zasilania	Przewodowe elektryczne
Przewód zasilający (dołączony do zestawów tylko na rynku brytyjskim)	
Typ przewodu	Przedłużacz 16M
Ciężar, kg	1,6
Waga	
Ciężar, kg	20,4
Poziom hałas ¹³¹	
Zmierzony poziom mocy akustycznej, w dB(A)	93
Poziom głośności, gwarantowana moc akustyczna L _{WA} dB(A)	95
Poziomy głośności ¹³²	
Poziom ciśnienia akustycznego przy uchu operatora, dB(A)	85
Poziomy drgań ¹³³	
Uchwyt, m/s ²	2,0
Koszenie	
Wysokość cięcia, mm	25–70
Szerokość koszenia, cm	41
Nóż, numer artykułu	Zbieranie 5011716-01
Pojemność pojemnika na trawę, w litrach	50

¹³¹ Emisję hałasu do otoczenia zmierzono jako moc akustyczną (L_{WA}), zgodnie z dyrektywą WE 2000/14/WE.

¹³² Odnotowane dane dla ciśnienia akustycznego mają typowe rozproszenie statystyczne (odchylenie standardowe) w wysokości 1,4 dB (A).

¹³³ Odnotowane dane dla poziomu wibracji mają typowe rozproszenie statystyczne (odchylenie standardowe) w wysokości 0,2 m/s².

Deklaracja zgodności WE

Deklaracja zgodności WE

Firma **Husqvarna AB**, SE-561 82 Huskvarna, Szwecja, tel.: +46-36-146500, zapewnia, że **kosiarki Husqvarna LC 141iV i LC 141i** od numeru seryjnego 2018XXXXXX oraz **Husqvarna LC 141C** od numeru seryjnego 2015XXXXXX są zgodne z przepisami zawartymi w DYREKTYWIE RADY:

- z dnia 8 czerwca 2011 roku, „dotyczącej ograniczenia użycia określonych substancji niebezpiecznych” **2011/65/UE**.
- z 17 maja 2006 r. „dotyczącej maszyn” **2006/42/WE**
- z 26 lutego 2014 roku, „dotyczącej kompatybilności elektromagnetycznej” **2014/30/UE**
- z 8 maja 2000 roku, „dotyczącej emisji hałasu do otoczenia” **2000/14/WE**

Informacje dotyczące emisji hałasu podano w rozdziale „Dane techniczne”.

W przypadku produktów Husqvarna LC 141iV i LC 141i zostały zastosowane następujące normy: **IEC 60335-2-77:2002, IEC 60335-1:2010+A1:2013, EN 55014-1:2017, EN 55014-2:2015, EN 61000-3-2:2014, EN 61000-3-3:2013, EN 62233:2008**

W przypadku produktów Husqvarna LC 141C zostały zastosowane następujące normy: **EN 60335-1:2012+A11:2014, EN 60335-2-77:2010, EN 62233:2008, EN 55014-1:2017+A11, EN 55014-2:2015, EN 61000-3-2:2019, EN 61000-3-11:2019**

Jednostka notyfikowana: **0404, RISE SMP Svensk Maskinprovning AB, Box 7035, SE-750 07 Uppsala** przeprowadziła ocenę zgodności według załącznika VI dyrektywy 2000/14/WE.

Huskvarna, 2020-10-13



Claes Losdal, manager ds. rozwoju/produkty ogrodowe (autoryzowany przedstawiciel Husqvarna AB oraz osoba odpowiedzialna za dokumentację techniczną)

ÍNDICE

Introdução.....	532	Resolução de problemas.....	553
Segurança.....	535	Transporte, armazenamento e eliminação.....	555
Montagem.....	544	Especificações técnicas.....	556
Funcionamento.....	546	Declaração CE de conformidade.....	560
Manutenção.....	551		

Introdução

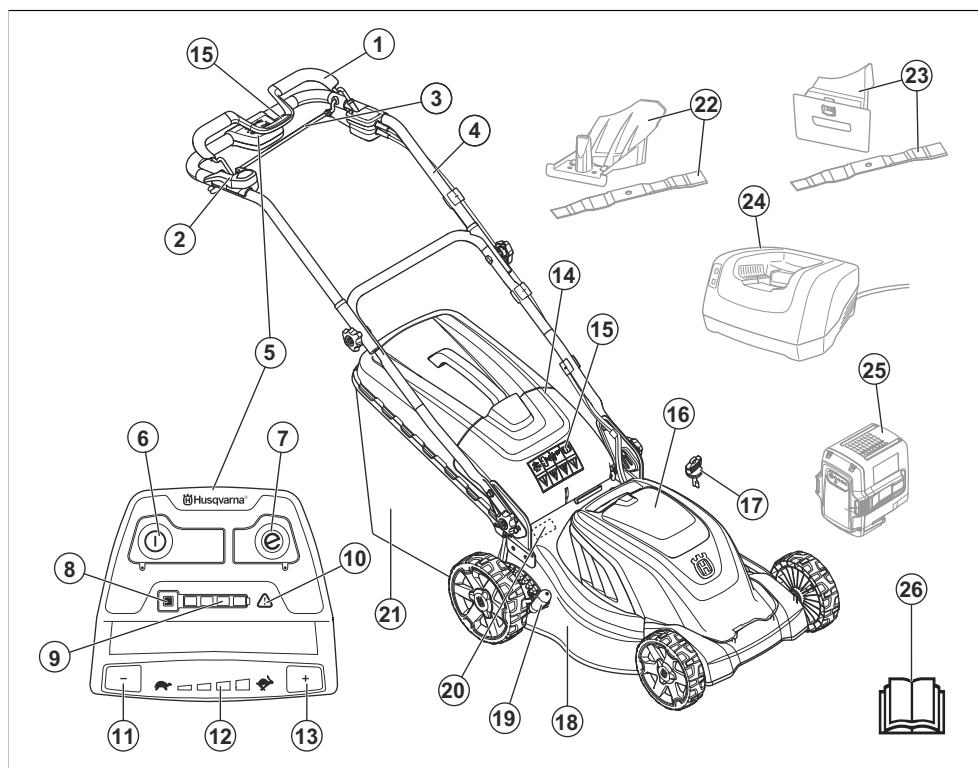
Descrição do produto

O produto é um corta-relva giratório de controlo apeado. A relva é apanhada num coletor de relva. Remova o coletor de relva para recolher a descarga traseira da relva. Prenda um kit de trituração (acessório) para cortar a relva e torná-la fertilizante.

Finalidade

Utilize o produto para cortar a relva. Não utilize o produto para outras tarefas.

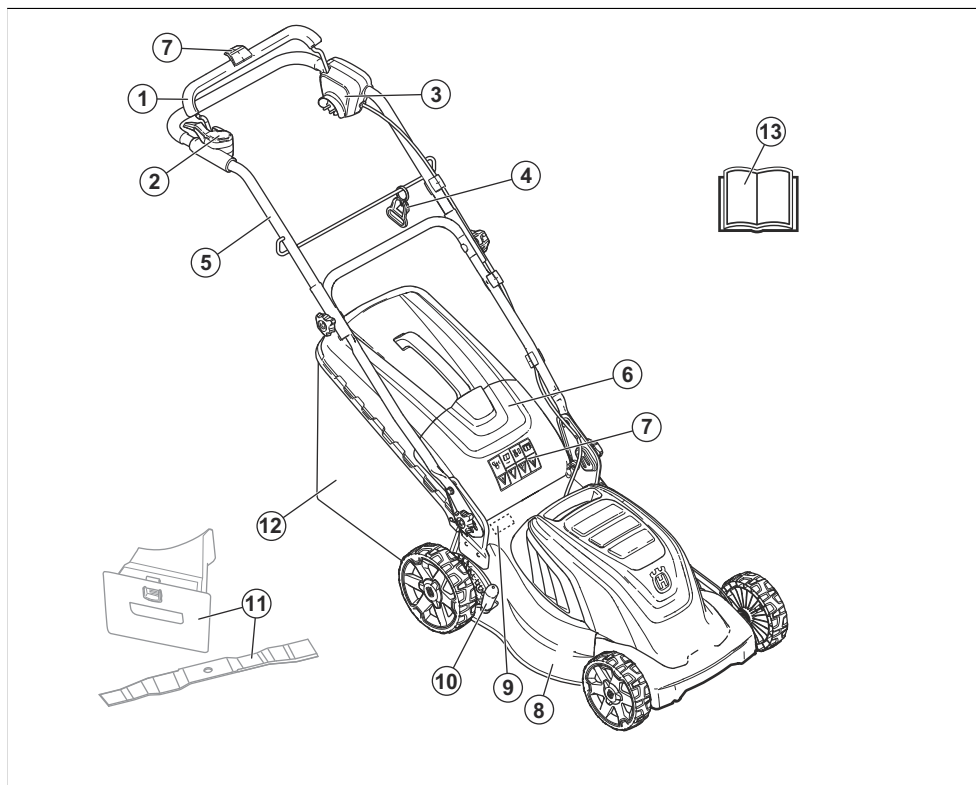
Vista geral do produto LC 141iV/LC 141i



1. Manípulo de travão do motor
2. Inibidor de arranque
3. Manípulo de direção (LC 141iV)
4. Punho/barra de direção
5. Painel de controlo
6. Botão ON/OFF
7. Botão SavE (economia)
8. Botão indicador da bateria

- 9. Indicador de carregamento da bateria
- 10. Indicador de aviso (LED DE ERRO)
- 11. Botão de diminuição da velocidade (LC 141iV)
- 12. Indicador do nível de velocidade (LC 141iV)
- 13. Botão de aumento da velocidade (LC 141iV)
- 14. Cobertura traseira
- 15. Símbolos
- 16. Tampa da bateria
- 17. Chave de segurança
- 18. Cobertura de corte
- 19. Alavanca da altura de corte
- 20. Placa de tipo
- 21. Coletor de relva
- 22. Kit de trituração (acessório para LC 141iV)
- 23. Kit de trituração (acessório para LC 141i)
- 24. Carregador da bateria (acessório)
- 25. Bateria (acessório)
- 26. Manual do utilizador

Vista geral do produto LC 141C



- 1. Manípulo de travão do motor
- 2. Inibidor de arranque
- 3. Tomada do cabo de alimentação
- 4. Suporte do cabo de alimentação
- 5. Punho/barra de direção
- 6. Cobertura traseira
- 7. Símbolos
- 8. Cobertura de corte
- 9. Alavanca da altura de corte
- 10. Placa de tipo
- 11. Tampão de trituração (acessório)
- 12. Coletor de relva
- 13. Manual do utilizador

Símbolos no produto



Uma utilização não cuidadosa e incorreta poderá provocar ferimentos ou a morte

do operador ou de terceiros.



Leia o manual do operador e certifique-se de que compreende as instruções antes de utilizar este produto.



Mantenha as pessoas e os animais a uma distância de segurança da área de trabalho.



Tenha cuidado com objetos projetados e ricochetes.



Aviso: Mantenha as mãos e os pés afastados da lâmina rotativa.



Aviso: Mantenha as mãos e os pés afastados das peças rotativas.



Retire a chave de segurança antes de efetuar a manutenção do produto. (modelo LC 141iV/LC 141i)



Desligue o produto da tomada elétrica antes de realizar tarefas de manutenção no mesmo. (modelo LC 141C)

IPX1 IPX1 - O produto possui proteção contra gotas de água (modelo LC 141iV/LC 141i)

IPX4 IPX4 - O produto possui proteção contra salpicos de água (modelo LC 141C)



Não permita que caia chuva sobre o produto (modelo LC 141iV/LC 141i)




Aviso: Não utilize o produto sobre o cabo de alimentação, uma vez que tal pode provocar um choque elétrico ou danos no produto. (modelo LC 141C)



Este produto está em conformidade com as diretivas aplicáveis da CE.



Emissões de ruído para o meio ambiente conforme diretiva da Comunidade Europeia. As emissões do produto são indicadas no capítulo de Especificações técnicas e na etiqueta.

 Corrente contínua. 36 V



Isolamento duplo.



Recicle este produto numa localização de reciclagem para equipamentos eléctricos e electrónicos. (Válido unicamente na Europa)



Procedimento de arranque para o modelo LC 141iV/ LC 141i: prima o botão ON/OFF, solte o inibidor de arranque, empurre o manípulo de travão do motor para baixo.



Procedimento de arranque para o modelo LC 141C: desaperte o inibidor de arranque e empurre o punho do travão do motor para baixo.



Solte o manípulo de travão do motor para parar.



Lento



Rápido



Código para leitura

Nota: Os restantes símbolos/autocolantes existentes no produto dizem respeito às exigências de homologação de alguns países.

Responsabilidade pelo produto

Como referido nas leis de responsabilidade pelo produto, não somos responsáveis por danos causados pelo nosso produto se:

- o produto tiver sido incorretamente reparado.
- o produto tiver sido reparado com peças que não sejam do fabricante ou que não sejam aprovadas pelo fabricante.
- o produto tiver um acessório que não seja do fabricante ou que não seja aprovado pelo fabricante.
- o produto não tiver sido reparado por um centro de assistência autorizado ou por uma autoridade aprovada.

Segurança

Definições de segurança

Os avisos, as precauções e as notas são utilizados para indicar partes especialmente importantes do manual.



ATENÇÃO: Utilizado no caso de existir risco de ferimento ou morte para o utilizador ou transeuntes, se não forem respeitadas as instruções do manual.



CUIDADO: Utilizado se existir risco de danos para o produto, para outros materiais ou para a área adjacente, se não forem respeitadas as instruções do manual.

Nota: Utilizado para disponibilizar informações adicionais necessárias numa determinada situação.

Instruções de segurança gerais



ATENÇÃO: Leia as instruções de aviso que se seguem antes de utilizar o produto.

- Este produto é perigoso se for utilizado de forma incorreta ou se não o utilizador for cuidadoso. Podem ocorrer ferimentos graves ou mesmo morte se as instruções de segurança não forem respeitadas.
- Este produto produz um campo eletromagnético durante o funcionamento. Em determinadas circunstâncias, este campo pode interferir com o funcionamento de implantes médicos ativos ou passivos. Para diminuir o risco de ferimentos graves ou mortais, recomendamos que os portadores de implantes médicos consultem o seu médico e o fabricante do implante antes de utilizar este produto.
- Seja sempre cuidadoso e use o seu senso comum. Se não tiver a certeza sobre como utilizar o produto numa situação especial, pare e fale com o seu revendedor Husqvarna antes de continuar.
- Tenha em atenção que o utilizador é responsável pelos acidentes que incluam outras pessoas ou a respetiva propriedade.
- Mantenha o produto limpo. Certifique-se de que pode ler claramente os sinais e os autocolantes.
- Não permita a utilização do equipamento por crianças ou pessoas não familiarizadas com estas instruções. As normas locais podem restringir a idade do utilizador
- Monitorize sempre a utilização do produto por pessoas com diminuição da capacidade física ou mental. Tem de estar sempre presente um adulto responsável.
- Não utilize o produto se estiver cansado, doente ou sob a influência de álcool, drogas ou medicamentos. Estes têm um efeito negativo na sua visão, atenção, capacidade de discernimento ou controlo físico.

- Não utilize o produto se este apresentar algum defeito.
- Não altere este produto e não o utilize se houver a possibilidade de ter sido alterado por outros.

Segurança no local de trabalho



ATENÇÃO: Leia as instruções de aviso que se seguem antes de utilizar o produto.

- Retire objetos como ramos, galhos e pedras da área de trabalho antes de utilizar o produto.
- Os objetos que embatam no equipamento de corte podem ser projetados e causar danos a pessoas e objetos. Mantenha terceiros e animais a uma distância de segurança do produto.
- Nunca utilize o produto em más condições meteorológicas, como nevoeiro, chuva, ventos fortes, frio intenso e risco de trovoadas. A utilização do produto em más condições meteorológicas ou em localizações molhadas ou com humidade é cansativa. As más condições meteorológicas podem causar condições

- perigosas, como superfícies escorregadias.
- Observe se há pessoas, objetos e situações que possam impedir o funcionamento seguro do produto.
- Observe se há obstáculos como raízes, pedras, ramos, buracos e valas. A relva longa pode ocultar obstáculos.
- Cortar relva em declives pode ser perigoso. Não corte a relva em declives demasiado íngremes. Não utilize o produto em terrenos com um declive superior a 15°.
- Tenha muito cuidado ao mudar de direção em declives. Utilize o produto ao longo da face dos declives. Não se desloque para cima e para baixo.
- Tenha cuidado ao aproximar-se de esquinas com pouca visibilidade e de objetos que possam impedir uma boa visibilidade.

Segurança do trabalho



ATENÇÃO: Leia as instruções de aviso que se seguem antes de utilizar o produto.

- Utilize este produto apenas para cortar relva. Não é permitido utilizá-lo para outras tarefas.
- Use equipamento de proteção pessoal. Consulte *Equipamento de proteção pessoal na página 539*.
- Certifique-se de que sabe como desligar o motor rapidamente em caso de emergência.
- Não utilize o produto em condições de chuva ou de humidade. O risco de choque elétrico aumenta se entrar água no produto.
- Não utilize o produto, a menos que a lâmina e todas as coberturas estejam corretamente montadas. Uma lâmina montada incorretamente pode soltar-se e causar ferimentos pessoais.
- Certifique-se de que a lâmina não atinge objetos como pedras e raízes. Isto pode causar danos à lâmina e dobrar o eixo do motor. Um eixo dobrado provoca fortes vibrações e um elevado risco de a lâmina se soltar.
- Se a lâmina atingir um objeto ou ocorrerem vibrações, pare o produto imediatamente. Desligue o motor, rode a chave de segurança para a posição 0 e retire a bateria (modelo LC 141iV e LC 141i) ou desligue o cabo de alimentação (modelo LC 141C). Examine se o produto apresenta sinais de danos. Repare os danos ou solicite a reparação numa oficina autorizada.
- Nunca ligue o manípulo de travão do motor de modo permanente ao punho durante o arranque do motor.
- Coloque o produto numa superfície estável e plana e ligue-o. Certifique-se de que a lâmina não atinge o solo ou outros objetos.
- Mantenha-se sempre por trás do produto quando o operar.
- Mantenha todas as rodas no chão e as duas mãos sobre o punho quando utilizar o produto. Mantenha as mãos e os pés afastados das lâminas rotativas.
- Não incline o produto quando ligar o motor.
- Tenha cuidado quando puxar o produto para trás.
- Nunca levante o produto quando ligar o motor. Se tiver de levantar o produto, desligue primeiro o motor e rode a chave de segurança para a posição 0 e retire a bateria (modelo LC 141iV e LC 141i) ou desligue o cabo

de alimentação (modelo LC 141C).

- Não caminhe para trás quando operar o produto.
- Desligue o motor quando se deslocar em zonas sem relva, por exemplo caminhos de gravilha, pedra e asfalto.
- Não corra com o produto quando o motor está ligado. Caminhe sempre que operar o produto.
- Pare o motor antes de mudar a altura de corte. Nunca efetue ajustes com o motor ligado.
- Nunca deixe o produto fora de vista com o motor ligado. Pare o motor e certifique-se de que o equipamento de corte não roda.

Instruções de segurança para funcionamento

Equipamento de proteção pessoal



ATENÇÃO: Leia as instruções de aviso que se seguem antes de utilizar o produto.

- O equipamento de proteção pessoal não previne totalmente os ferimentos mas diminui a respetiva gravidade em caso de acidente. Obtenha

ajuda junto do seu concessionário para selecionar o equipamento certo.

- Use botas ou sapatos antiderrapantes resistentes. Não use calçado aberto nem ande com os pés descalços.
- Use calças compridas e resistentes.
- Use luvas de proteção sempre que necessário, por exemplo, ao fixar, examinar ou limpar o equipamento de corte.

Dispositivos de segurança no produto



ATENÇÃO: Leia as instruções de aviso que se seguem antes de utilizar o produto.

- Não utilize o produto com dispositivos de segurança defeituosos.
- Verifique regularmente os dispositivos de segurança. Se os dispositivos de segurança estiverem defeituosos, fale com a sua oficina Husqvarna autorizada.

Verificar a cobertura de corte

A cobertura de corte reduz as vibrações no produto e o risco de ferimentos causados pela lâmina.

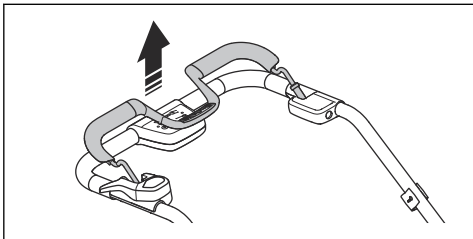
- Examine a cobertura de corte para se certificar de que não existem danos, como fissuras.

Manípulo de travão do motor

O manípulo de travão do motor para o motor. Quando soltar o manípulo de travão do motor, o motor para.

Para verificar o funcionamento do travão do motor, ligue o motor e, em seguida, solte manípulo do travão do motor. Se o motor não parar em 3 segundos, solicite o

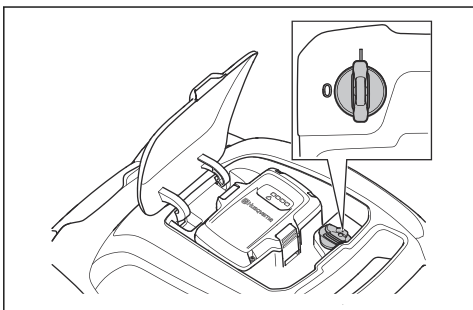
ajuste do travão do motor numa oficina Husqvarna autorizada.



Chave de segurança (modelos LC 141IV e LC 141I)

A chave de segurança encontra-se por baixo da tampa da bateria. A chave de segurança liga a bateria que alimenta o motor.

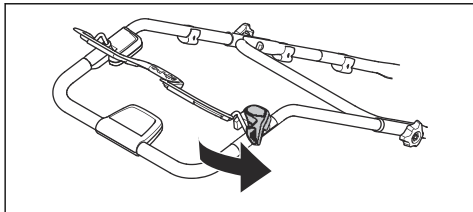
- Ligue e desligue o motor para verificar o funcionamento da chave de segurança.
- Se a chave de segurança funcionar corretamente, o motor só arranca quando a chave se encontra na posição 1.



Verificar o inibidor de arranque

Verifique o inibidor de arranque para se certificar de que este impede o funcionamento do motor.

1. Empurre o manipulador de travão do motor no sentido da barra de direção. O inibidor de arranque para o movimento.
2. Empurre o inibidor de arranque para fora.

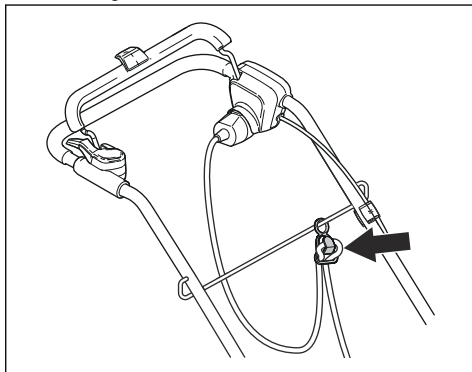


3. Solte o inibidor de arranque e certifique-se de que este volta à respetiva posição inicial.

Utilizar o suporte do cabo de alimentação (modelo LC 141C)

O suporte do cabo de alimentação diminui a pressão sobre a tomada e o cabo de alimentação. O suporte do cabo de alimentação também diminui o risco de queda.

1. Dobre o cabo de alimentação, criando um pequeno laço.
2. Coloque o laço dentro do orifício no suporte do cabo de alimentação.
3. Coloque o laço em redor do gancho.
4. Puxe o cabo de alimentação para apertar o laço em redor do gancho.



Segurança da bateria



ATENÇÃO: Leia as instruções de aviso que se seguem antes de utilizar o produto.

- Utilize baterias recarregáveis Husqvarna como fonte de alimentação apenas para produtos Husqvarna relacionados. Para evitar ferimentos, não utilize a bateria como fonte de alimentação para outros produtos.
- Não utilize baterias não recarregáveis.

- Risco de choque elétrico. Não ligue os terminais da bateria a chaves, moedas, parafusos ou outros metais. Caso contrário, pode provocar um curto-circuito da bateria.
- Não coloque objetos nas aberturas de ventilação da bateria.
- Mantenha a bateria afastada do sol, calor ou de chamas abertas. A bateria pode explodir e causar queimaduras e/ou queimaduras químicas.
- Mantenha a bateria afastada de chuva e condições de humidade.
- Mantenha a bateria afastada de micro-ondas e alta pressão.
- Não tente desmontar ou partir a bateria.
- Em caso de fuga da bateria, evite o contacto do líquido com a pele ou com os olhos. Em caso de contacto com o líquido, limpe a área com água abundante e procure assistência médica.
- Utilize a bateria a temperaturas entre -10 °C e 40 °C.
- Não limpe a bateria ou o carregador com água. Consulte o capítulo *Para*

limpar a bateria e o carregador da bateria na página 552.

- Não utilize uma bateria danificada ou com defeito.
- Mantenha as baterias armazenadas afastadas de objetos metálicos como, por exemplo, pregos, moedas, joias.

Segurança do carregador de bateria



ATENÇÃO: Leia as instruções de aviso que se seguem antes de utilizar o produto.

- Utilize carregadores de bateria QC para carregar apenas baterias de substituição Husqvarna.
- Risco de choque elétrico ou curto-circuito. Não coloque objetos nas aberturas de ventilação do carregador. Não tente desmontar o carregador da bateria. Não ligue os terminais do carregador a objetos metálicos. Utilize uma tomada elétrica aprovada.
- Este produto produz um campo eletromagnético durante o funcionamento. Em determinadas circunstâncias, este campo pode interferir com o funcionamento de

implantes médicos ativos ou passivos. Para diminuir o risco de condições que podem causar ferimentos ou morte, recomendamos que os portadores de implantes médicos consultem o seu médico e o fabricante do implante antes de utilizar este produto.

- Certifique-se regularmente de que o cabo de alimentação do carregador da bateria não está danificado nem apresenta fissuras.
- Não utilize o cabo de alimentação para levantar o carregador da bateria. Para desligar o carregador da bateria de uma tomada elétrica, puxe a ficha. Não puxe o cabo de alimentação.
- Mantenha o cabo de alimentação e os cabos de extensão afastados de água, de óleo e de arestas afiadas. Certifique-se de que o cabo não fica entalado em portas, cercas ou equivalente. Isto pode fazer com que o carregador fique sob tensão.
- Não limpe o carregador da bateria com água.
- O carregador da bateria pode ser utilizado por crianças a partir dos 8 anos de idade e

por pessoas com capacidades físicas, sensoriais ou mentais reduzidas, ou falta de experiência e conhecimentos, desde que as mesmas se encontrem sob supervisão ou tenham recebido instruções acerca da utilização segura do carregador da bateria e compreendam os perigos envolvidos. As crianças não devem brincar com o carregador da bateria. As tarefas de limpeza e manutenção a cargo do utilizador não devem ser efetuadas por crianças sem a devida supervisão.

- Não carregue baterias não recarregáveis no carregador da bateria.
- Não utilize o carregador da bateria próximo de materiais inflamáveis ou materiais que possam provocar corrosão. Não cubra o carregador da bateria. Em caso de fumo ou fogo, desligue o carregador da bateria da tomada.
- Não utilize um carregador da bateria que esteja com defeito ou danificado.
- Carregue a bateria apenas em espaços interiores com boa ventilação e sem exposição à luz solar. Não carregue a

bateria em condições de humidade.

Segurança do cabo de alimentação

Para o modelo LC 141C.

- Recomenda-se a utilização de um dispositivo de corrente residual (R.C.D.) com uma corrente de disparo que não deve ser superior a 30 mA. Mesmo com o R.D.C. instalado, não é possível garantir uma segurança total e os procedimentos de trabalho em segurança têm de ser sempre seguidos. Verifique o R.C.D. sempre que o utilizar.
- Desligue imediatamente da corrente se o cabo de alimentação estiver cortado ou se o isolamento estiver danificado.
- Não toque num cabo de alimentação cortado ou danificado até que a corrente elétrica seja desligada.
- Não repare um cabo de alimentação cortado ou danificado. Substitua-o por um novo.

Instruções de segurança para manutenção



ATENÇÃO: Leia as instruções de aviso que se seguem antes de utilizar o produto.

- Para o modelo LC 141iV, LC 141i: Para evitar um arranque accidental durante a manutenção, rode a chave de segurança para a posição 0 e retire a bateria. Aguarde pelo menos 5 segundos antes de começar a manutenção.
- Para o modelo LC 141C: Para evitar o arranque accidental durante a manutenção, desligue o cabo de alimentação.
- Efetue os trabalhos de manutenção corretamente para aumentar a vida útil do produto e reduzir o risco de acidentes. Solicite a realização de reparações profissionais numa oficina autorizada. Para mais informações, contacte a sua oficina autorizada.
- Efetue apenas os trabalhos de manutenção indicados neste manual do operador. As intervenções maiores têm de ser efetuadas por uma oficina autorizada.
- Calce luvas resistentes quando utilizar o equipamento de corte. A lâmina é muito afiada e pode facilmente provocar cortes.
- Mantenha as extremidades cortantes afiadas e limpas para garantir um desempenho melhor e mais seguro.

- Solicite à sua oficina autorizada a inspeção regular do produto e a realização dos ajustes e reparações necessários.
- Substitua as peças danificadas, gastas ou partidas.
- Cumpra as instruções relativas à substituição dos acessórios. Utilize apenas os acessórios do fabricante.
- Quando não estiverem em funcionamento, mantenha o produto, a bateria e carregador da bateria afastados num local seco, interior e fechado à chave. Certifique-se de que as crianças e as pessoas não autorizadas não conseguem ter acesso ao produto, à bateria ou ao carregador da bateria.

Montagem

Introdução



ATENÇÃO: Antes de montar o produto, leia o capítulo sobre segurança.

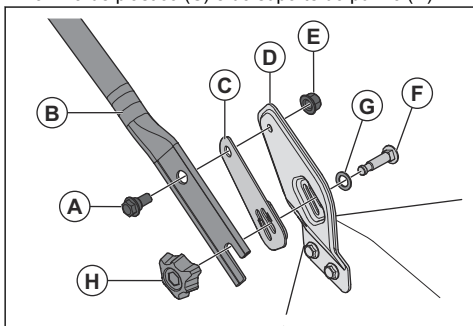


ATENÇÃO: Para o modelo LC 141iV, LC 141i: Para evitar um arranque acidental durante a montagem, rode a chave de segurança para a posição 0, retire a bateria e aguarde pelo menos 5 segundos.

Para o modelo LC 141C: Para evitar o arranque acidental durante a montagem, desligue o cabo de alimentação.

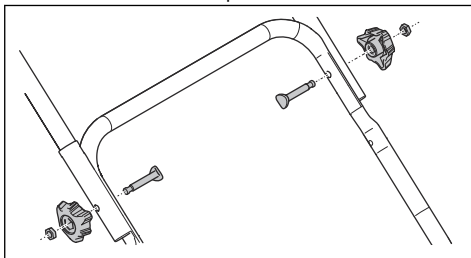
Montar a barra

1. Empurre o parafuso (A) através do punho (B), da anilha de plástico (C) e do suporte do punho (D).

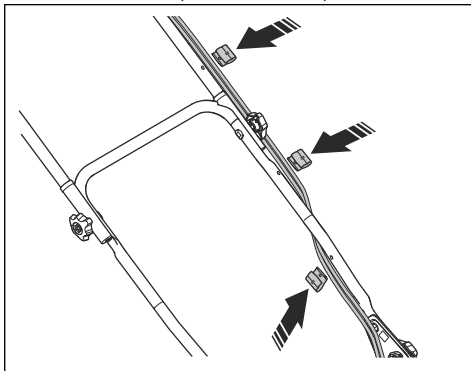


2. Aperte totalmente a porca (E).

3. Empurre o parafuso (F) através da anilha (G) e do suporte do punho.
4. Aperte totalmente o botão (H).
5. Alinhe os orifícios da barra de direção com os orifícios da barra inferior e fixe os parafusos, as arruelas e os botões. Aperte os botões totalmente.

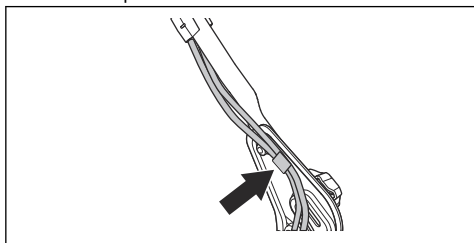


6. Fixe os cabos ao punho com os suportes de cabos.



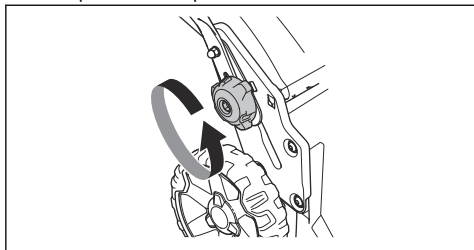
Nota: Certifique-se de que a tensão nos cabos não é demasiado elevada. Uma tensão demasiado elevada pode provocar danos no cabo se o punho estiver dobrado na posição de transporte.

7. Coloque os cabos em redor do gancho na parte inferior do punho.

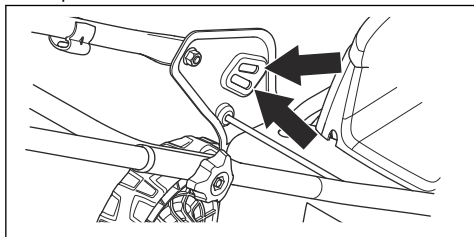


Ajustar a altura da barra

1. Desaperte os manipuladores inferiores.

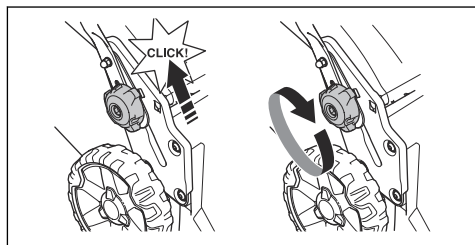


2. Retire o botão, a arruela e o parafuso do lado esquerdo e direito.
3. A barra pode ser definida em 2 alturas diferentes. Coloque o parafuso num dos 2 orifícios do lado esquerdo e direito.



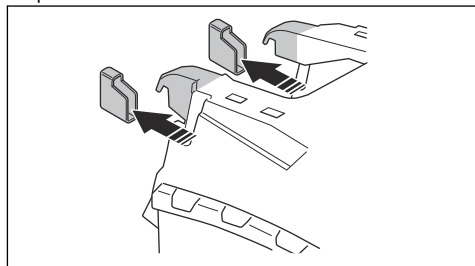
4. Fixe os parafusos, as arruelas e os botões.

5. Desloque os botões para cima em direção ao punho, até pararem e ouvir um clique. Aperte os botões totalmente.

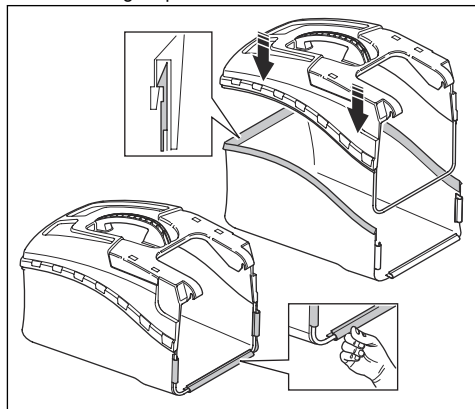


Montar o coletor de relva

1. Empurre as 2 coberturas de transporte para fora e para baixo.

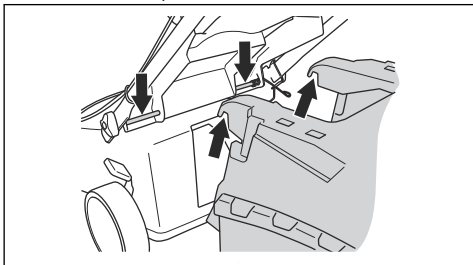


2. Coloque a parte superior do coletor de relva na parte inferior do mesmo. Fixe a estrutura do coletor de relva com grampos.



3. Levante a cobertura traseira.

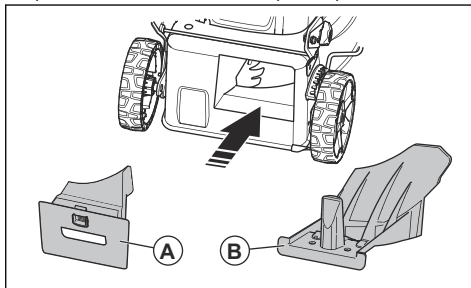
4. Prenda os ganchos do coletor de relva à extremidade superior do chassi.



Montar o kit de trituração

1. Levante a cobertura traseira e retire o coletor de relva.

2. Coloque o tampão de trituração no canal de descarga da relva. O tampão de trituração do tipo A para LC 141i e LC 141C. O tipo B é para LC 141iV.



3. Feche a cobertura traseira.
4. Substitua a lâmina pela lâmina Combi, consulte *Retirar e substituir a lâmina na página 553*.

Funcionamento

Introdução



ATENÇÃO: Antes de utilizar o produto, tem ler e compreender o capítulo sobre segurança.

Husqvarna Connect

A Husqvarna Connect é uma aplicação gratuita para o seu dispositivo móvel. A aplicação Husqvarna Connect disponibiliza funções alargadas para o seu produto Husqvarna:

- Informações alargadas sobre o produto.
- Informações sobre, e ajuda relacionada com peças e manutenção do produto.

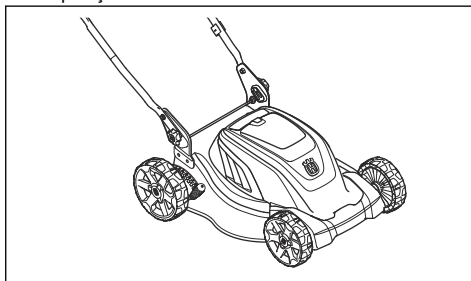
Começar a utilizar Husqvarna Connect

1. Transfira a aplicação Husqvarna Connect para o seu dispositivo móvel.
2. Registe-se na aplicação Husqvarna Connect.
3. Siga os passos das instruções na aplicação Husqvarna Connect para ligar e registar o produto.

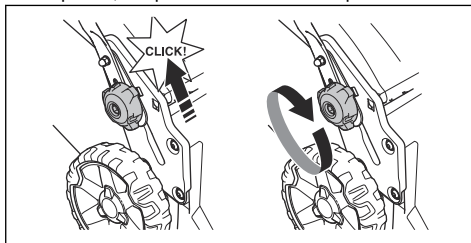
Para colocar o produto na posição de funcionamento

Se o punho for colocado na posição de transporte e de armazenamento (consulte *Para colocar o produto na posição de transporte na página 555*), efetue o procedimento seguinte para colocar o punho na posição de funcionamento.

1. Levante o punho até que o punho inferior bloqueie na posição de funcionamento.

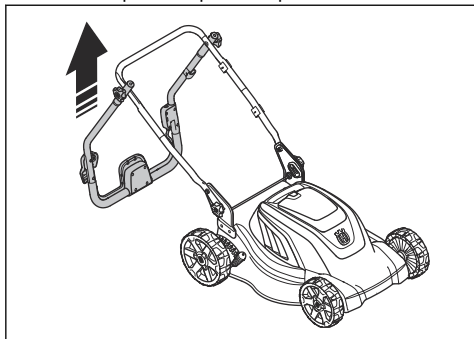


2. Desloque os botões inferiores para cima em direção ao punho, até pararem e ouvir um clique.



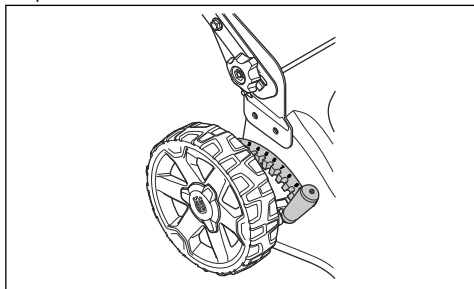
3. Aperte os botões.

4. Levante o punho superior e aperte os botões.



Para definir a altura de corte

1. Mova a alavanca da altura de corte para trás para aumentar a altura de corte.
2. Mova a alavanca da altura de corte para a frente para diminuir a altura de corte.



CUIDADO: Não regule a altura de corte demasiado baixa. As lâminas podem entrar em contacto com o solo se a superfície do relvado não estiver nivelada.

Bateria

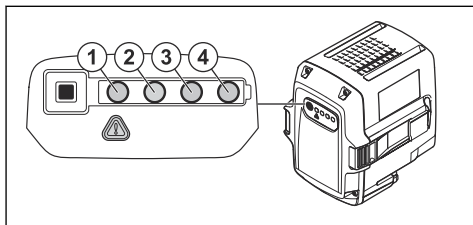


ATENÇÃO: Antes de utilizar a bateria, tem de ler e compreender o capítulo sobre segurança. Também tem de ler e compreender o manual do operador da bateria e do carregador da bateria.

Estado da bateria

O visor indica a capacidade restante da bateria e a existência de problemas com a mesma. A capacidade da bateria é apresentada durante 5 segundos depois de desligar o produto ou se pressionar o botão indicador da bateria. O símbolo de aviso na bateria acende-se

quando ocorre um erro. Consulte o capítulo *Bateria na página 553*.



Luzez LED	Estado da bateria
Todos os LED acesos	Carga completa (75%-100%)
LED 1, LED 2 e LED 3 acesos	A bateria tem uma carga de 50%-75%
LED 1 e LED 2 acesos	A bateria tem uma carga de 25%-50%
LED 1 aceso	A bateria tem uma carga de 0%-25%.
LED 1 intermitente	A bateria está descarregada. Carregue a bateria.

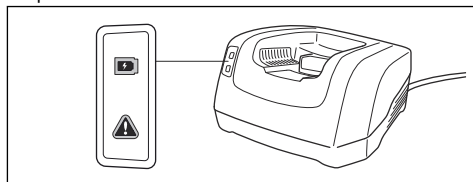
Carregar a bateria

Carregue a bateria antes da primeira utilização. A bateria tem apenas 30% de carga quando é entregue ao cliente.

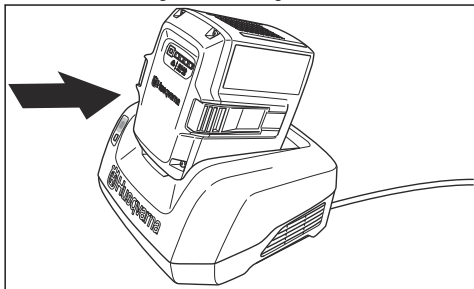
Nota: O carregador da bateria tem de ser ligado à tensão e à frequência especificadas na etiqueta de tipo.

A bateria não carrega se a sua temperatura for superior a 50 °C. O carregador da bateria diminui a temperatura da bateria antes de começar a carregar.

1. Ligue uma extremidade do cabo de alimentação do carregador da bateria à tomada do carregador da bateria.
2. Ligue a outra extremidade do cabo de alimentação do carregador da bateria a uma tomada elétrica com ligação à terra. O LED do carregador da bateria pisca a verde uma vez.



- Coloque a bateria no carregador da bateria. A luz verde do carregador acende-se se a bateria estiver corretamente ligada ao carregador da bateria.



- A bateria está totalmente carregada quando todos os LED se acenderem. Carregue a bateria no máximo durante 24 horas.
- Para desligar o carregador da tomada, retire a ficha e não o cabo de alimentação.
- Retire a bateria do carregador da bateria.

Estado de carregamento da bateria

Uma bateria de íões de lítio Husqvarna pode ser carregada ou utilizada em todos os níveis de carga. A bateria não fica danificada. Uma bateria completamente carregada não perde a sua carga mesmo que seja deixada no carregador.

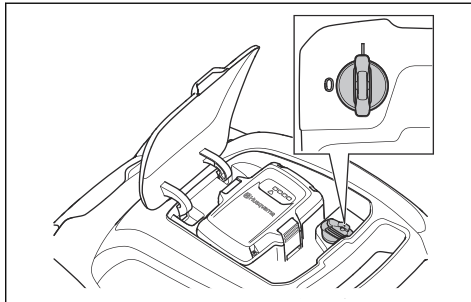
Ecrã LED	Estado de carga
LED 1 intermitente	0%-25%
LED 1 aceso, LED 2 intermitente	25%-50%
LED 1 e LED 2 acesos, LED 3 intermitente	50%-75%
LED 1, LED 2 e LED 3 acesos, LED 4 intermitente	75%-100%
LED 1, LED 2, LED 3 e LED 4 acesos	Totalmente carregada

Utilizar LC 141IV e LC 141i

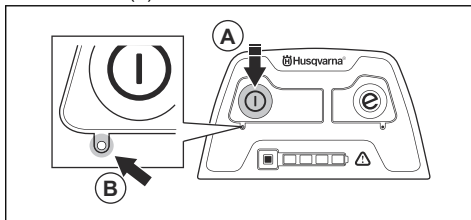
Arranque

- Coloque uma bateria carregada no respetivo compartimento.

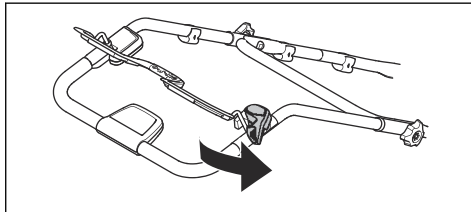
- Rode a chave de segurança para a posição 1.



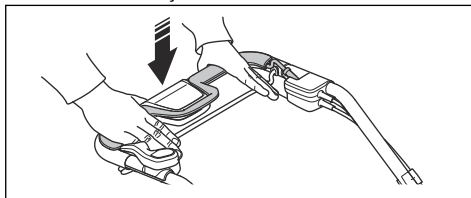
- Mantenha-se atrás do produto.
- Prima o botão ON/OFF (A) no painel de controlo. O LED verde (B) acende-se.



- Desaperte o inibidor de arranque.

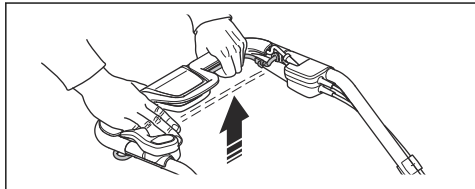


- Empurre o manípulo de travão do motor no sentido da barra de direção.

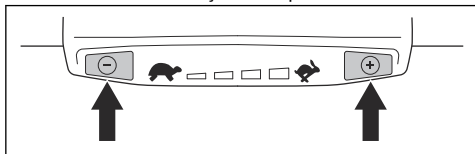


Para utilizar a tração das rodas

- Modelo LC 141iV. Puxe o manípulo de direção no sentido da barra de direção para ligar a transmissão.



- Prima + e - no painel de controlo para definir a velocidade de condução em 4 passos.

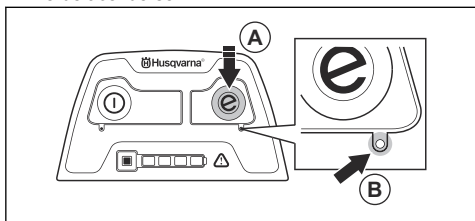


- Solte o manípulo de direção para desengatar a transmissão, por exemplo quando se aproximar de um obstáculo.

Utilizar a função SavE

O produto inclui uma função de poupança da bateria (SavE), que permite uma utilização mais prolongada.

1. Prima o botão SavE (A) para ativar a função. O LED verde acende-se.



2. Prima o botão SavE novamente para desativar a função. O LED verde (B) apaga-se.

A função SavE é desativada automaticamente se as condições do solo exigirem uma maior potência. A função SavE inicia-se automaticamente quando as condições do solo assim o permitirem.

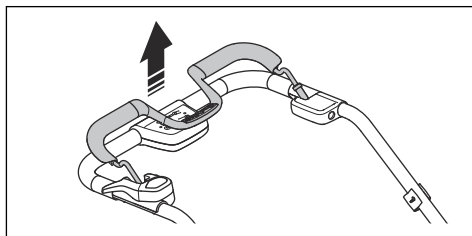
Função de carga elevada

Quando o produto estiver a cortar relva alta ou molhada, o motor aumenta automaticamente as rpm. O motor regressa ao modo padrão quando não houver carga elevada.

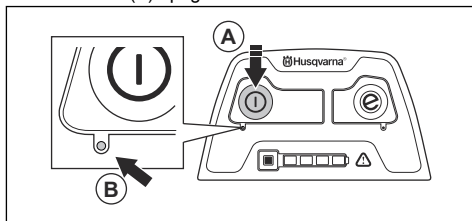
Para desligar o produto

O produto para automaticamente se não o utilizar durante 10 minutos. Rode sempre a chave de segurança para a posição 0 antes de deixar o produto fora de vista.

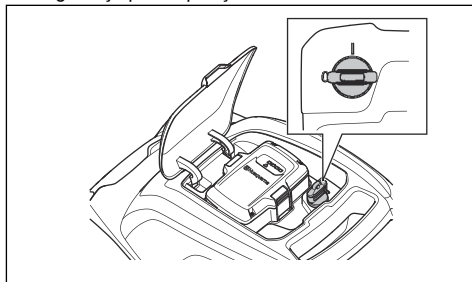
1. Solte o manípulo de travão do motor para parar o motor.



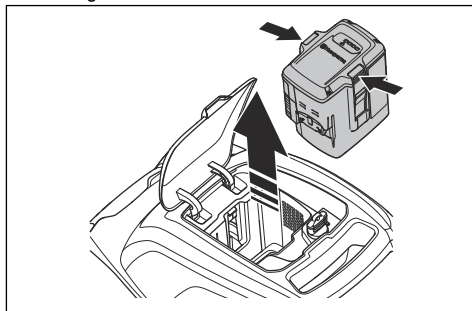
2. Prima o botão ON/OFF (A) no painel de controlo. O LED verde (B) apaga-se.



3. Abra a tampa da bateria e rode a chave de segurança para a posição 0.



4. Para retirar a bateria, prima os 2 botões de desengate e retire a bateria.



5. Carregue a bateria se estiver fraca. Para mais informações, consulte *Carregar a bateria na página 547*.

Utilizar LC 141C

Selecionar um cabo aprovado (LC 141C)

Nota: Para o mercado do Reino Unido, utilize apenas o cabo de extensão de 16 m fornecido com o produto. Para todos os outros mercados, consulte as informações abaixo.

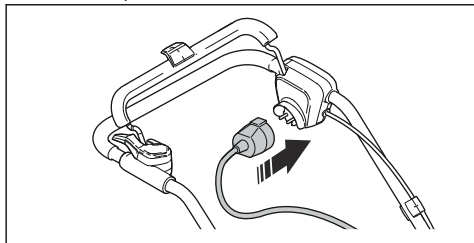
Se forem utilizados cabos de extensão, estes têm de estar em conformidade com o corte transversal mínimo na tabela abaixo:

Tensão	Comprimento do cabo	Corte transversal
220-240 V/ 50 Hz	Até 20 m	1,5 mm ²
220-240 V/ 50 Hz	20-50 m	2,5 mm ²

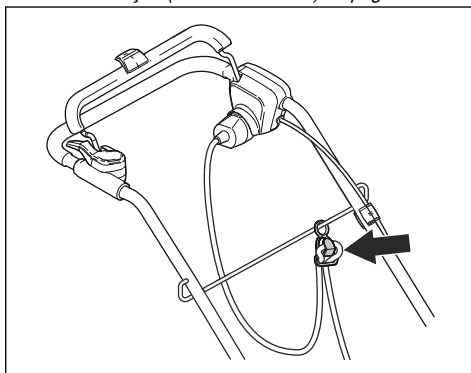
- Os cabos de alimentação e os cabos de extensão estão disponíveis na sua oficina autorizada local para produtos para exterior da Husqvarna.
- Utilize apenas cabos de extensão especificamente concebidos para a utilização no exterior e que estejam em conformidade com uma das seguintes especificações: Borracha normal (60245 IEC 53), PVC normal (60227 IEC 53) ou PCP normal (60245 IEC 57)
- Se o cabo estiver danificado, a sua substituição tem de ser efetuada pelo fabricante, pela respetiva oficina autorizada ou por pessoal qualificado para evitar situações de perigo.

Arranque

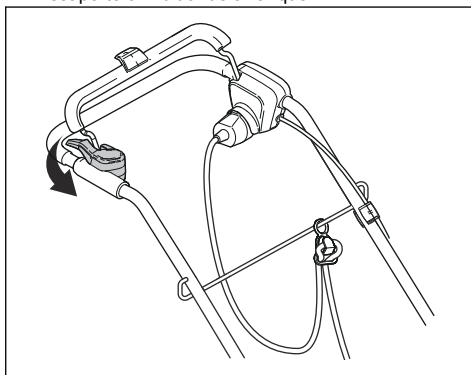
- Ligue um cabo de alimentação à tomada na parte inferior do punho.



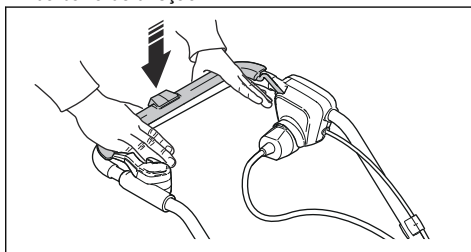
- Coloque o cabo de alimentação no suporte do cabo de alimentação. Consulte *Utilizar o suporte do cabo de alimentação (modelo LC 141C)* na página 540.



- Mantenha-se atrás do produto.
- Desaperte o inibidor de arranque.

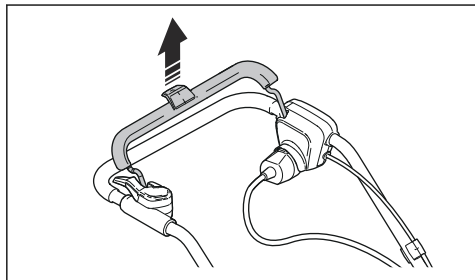


- Empurre o manipulador de travão do motor no sentido da barra de direção.

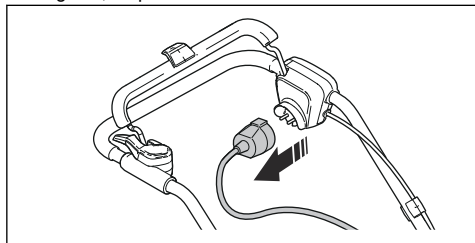


Para desligar o produto

1. Solte o manípulo de travão do motor para parar o motor.



2. Desligue o cabo de alimentação da corrente e, em seguida, do produto.



CUIDADO: Retire a ficha. Não puxe o cabo de alimentação.

Para obter bons resultados

- Utilize sempre uma lâmina bem afiada. Uma lâmina romba produz um resultado irregular e a superfície de corte da relva fica amarela. Uma lâmina afiada também gasta menos energia que uma lâmina romba.
- Não corte mais do que $\frac{1}{2}$ do comprimento da relva. Corte primeiro com a altura de corte alta. Examine o resultado e reduza a altura de corte para um nível aplicável. Caso a relva esteja muito comprida, avance lentamente e corte duas vezes, se necessário.
- Corte em diferentes direções de cada vez, para evitar a formação de linhas no relvado.

Manutenção

Introdução



ATENÇÃO: Antes de efetuar a manutenção, tem de ler e compreender o capítulo sobre segurança.

É necessária formação especial para realizar qualquer tarefa de manutenção ou reparação. Garantimos a disponibilidade de reparações e manutenção profissionais. Se o seu revendedor não for uma oficina

autorizada, pergunte-lhes onde se situa a oficina autorizada mais próxima.

Esquema de manutenção

Os intervalos de manutenção são calculados a partir da utilização diária do produto. Os intervalos são alterados se o produto não for utilizado diariamente.

Relativamente às tarefas de manutenção identificadas com *, consulte *Dispositivos de segurança no produto na página 539*.

LC 141IV, LC 141i e LC 141C	A cada utilização	Mensalmente	A cada estação
Efetue uma inspeção geral.	X		
Limpe o produto.	X		
Verifique o inibidor de arranque *.	X		
Certifique-se de que os dispositivos de segurança do produto não estão danificados *.	X		
Examine o equipamento de corte.	X		
Examine a cobertura de corte *.	X		
Verifique o punho do travão do motor *.	X		

Apenas LC 141V e LC 141i	A cada utilização	Mensalmente	A cada estação
Certifique-se de que o botão ON/OFF funciona corretamente e não está avariado.	X		
Examine se a bateria apresenta sinais de danos.	X		
Verifique a carga da bateria.	X		
Certifique-se de que os botões de desengate da bateria funcionam corretamente e que a bateria encaixa no produto.	X		
Verificar a existência de danos no carregador da bateria e certificar-se de que funciona corretamente.		X	
Verificar as ligações entre a bateria e o produto. Verificar também a ligação entre a bateria e o carregador da bateria.			X

Para efetuar uma inspeção geral

- Certifique-se de que as porcas e os parafusos do produto estão apertados.
- Certifique-se de que os cabos no produto não estão numa posição suscetível a danos.

0, retire a bateria e aguarde pelo menos 5 segundos.

Para o modelo LC 141C: Para evitar o arranque acidental, desligue o cabo de alimentação.

Limpar o produto

- Limpe os componentes plásticos com um pano seco e limpo.
- Não utilize água para limpar o produto. A água pode entrar na bateria ou no motor, provocando um curto-circuito ou danos no produto.
- Não utilize uma máquina de lavar à pressão para limpar o produto.
- Não verta água diretamente no motor.
- Utilize uma escova para remover folhas, relva e sujidade.



ATENÇÃO: Use luvas de proteção quando realizar a manutenção do equipamento de corte. A lâmina é muito afiada e pode facilmente provocar cortes.

1. Examine se o equipamento de corte está danificado ou se apresenta fissuras. Substitua sempre um equipamento de corte danificado.
2. Olhe para a lâmina para verificar se está danificada ou romba.

Para limpar a bateria e o carregador da bateria



CUIDADO: Não limpe a bateria ou o carregador com água.

- Certifique-se de que a bateria e o carregador da bateria estão limpos e secos antes de colocar a bateria no carregador da bateria.
- Limpe os terminais da bateria com ar comprimido ou com um pano macio e seco.
- Limpe as superfícies da bateria e o carregador da bateria com um pano macio e seco.

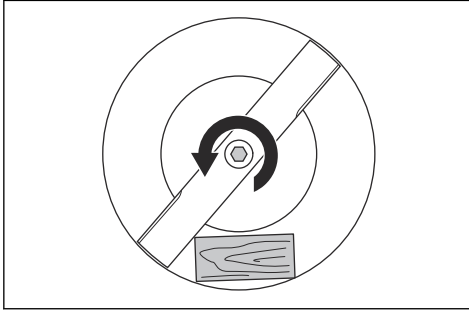
Para examinar o equipamento de corte



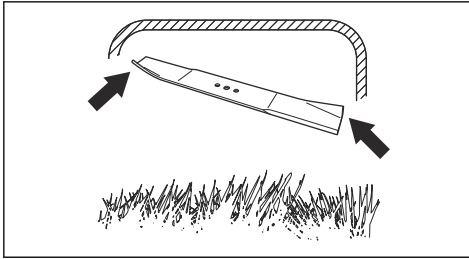
ATENÇÃO: Para os modelos LC 141iV e LC 141i: Para evitar o arranque acidental, rode a chave de segurança para a posição

Retirar e substituir a lâmina

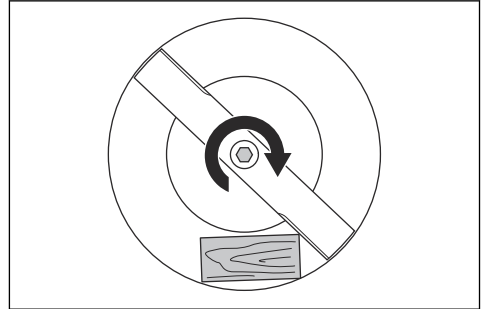
1. Bloqueie a lâmina com um bloco de madeira.



2. Remova o parafuso da lâmina.
3. Retire a lâmina.
4. Examine o suporte e o parafuso da lâmina para verificar se existem danos.
5. Examine o eixo do motor para se certificar de que não se encontra dobrado.
6. Quando colocar a lâmina nova, aponte as extremidades inclinadas da lâmina na direção da cobertura de corte.



7. Certifique-se de que a lâmina está alinhada com a parte central do eixo do motor.
8. Bloqueie a lâmina com um bloco de madeira. Fixe a arruela de pressão e aperte o parafuso e a arruela com um binário de 20 Nm.



9. Faça rodar a lâmina com a mão de modo a assegurar-se de que roda livremente.



ATENÇÃO: Use luvas resistentes. A lâmina é muito afiada e pode facilmente provocar cortes.

10. Ligue o produto para testar a lâmina. Se a lâmina não estiver corretamente ligada, o produto vibra ou o resultado de corte não é satisfatório.

Resolução de problemas

Bateria

LED na bateria	Causa	Solução
LED verde intermitente.	A tensão da bateria é baixa.	Carregue a bateria. Consulte <i>Carregar a bateria na página 547</i> .

LED na bateria	Causa	Solução
LED de erro intermitente.	A bateria está fraca.	Carregue a bateria. Consulte <i>Carregar a bateria na página 547</i> .
	A temperatura no ambiente de trabalho é demasiado elevada ou demasiado baixa.	Utilize a bateria a temperaturas entre -10 °C e 40 °C.
	Sobretensão.	Certifique-se de que tensão da rede elétrica corresponde à indicada na etiqueta de tipo no produto. Retire a bateria do carregador da bateria. Aguarde 5 segundos e tente carregar a bateria novamente. Se o problema persistir, contacte uma oficina autorizada.
LED de erro aceso.	A diferença entre as células é demasiado elevada (1 V).	Contacte uma oficina autorizada.

Carregador da bateria

LED no carregador da bateria	Causa	Solução
LED de erro intermitente.	A temperatura no ambiente de trabalho é demasiado elevada ou demasiado baixa.	Utilize o carregador da bateria em ambientes com temperaturas entre 5 °C e 40 °C.
LED de erro aceso.		Contacte uma oficina autorizada.

Painel de controlo

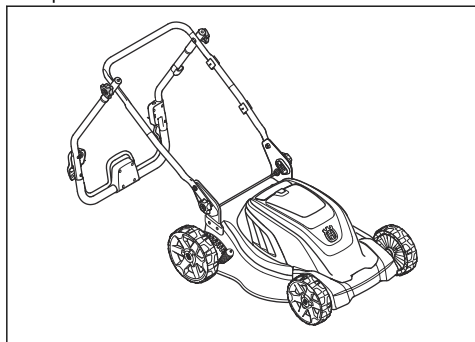
Se tiver problemas não incluídos nesta secção, contacte a sua oficina autorizada.

Teclado	Avarias possíveis	Ação possível
LED de erro intermitente	Motor sobrecarregado	Aumente a altura de corte. Consulte o capítulo <i>Para definir a altura de corte na página 547.</i>
	A velocidade do motor desce demasiado e o motor para	
	Controlo do motor demasiado quente	Desligue o motor e aguarde até arrefecer
	A lâmina está bloqueada	Para evitar um arranque acidental, rode a chave de segurança para a posição 0, retire a bateria e aguarde pelo menos 5 segundos. Certifique-se de que a lâmina consegue rodar livremente. Se o problema persistir, contacte uma oficina autorizada
	Bateria com erro ou sem sinal	Coloque a bateria no produto corretamente e examine o conector da bateria. Se o LED de erro da bateria ficar intermitente, consulte <i>Bateria na página 553.</i>
O produto para	Bateria fraca	Carregue a bateria. Consulte o capítulo <i>Carregar a bateria na página 547.</i>
	Avaria do conector da bateria	Examinar o conector da bateria

Transporte, armazenamento e eliminação

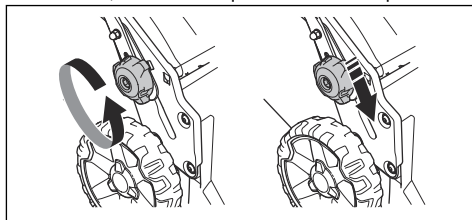
Para colocar o produto na posição de transporte

1. Retire o coletor de relva (se instalado).
2. Desaperte os manipuladores do punho superior e dobre-o para baixo.

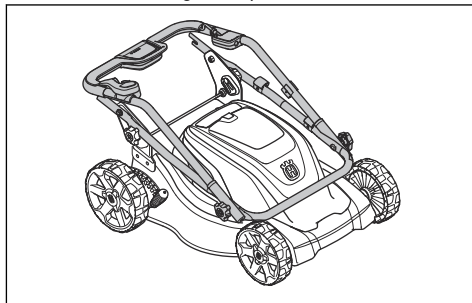


3. Desaperte os manipuladores inferiores.

4. Desloque os botões para a extremidade inferior das ranhuras, dos lados esquerdo e direito do produto.



5. Dobre a barra do guidador para a frente.



Transporte

- Os requisitos da legislação sobre mercadorias perigosas aplicam-se às baterias de íons de lítio incluídas.
- Para um transporte comercial, é necessário cumprir os requisitos especiais na embalagem e nas etiquetas.
- Quando preparar o produto para transporte, certifique-se de que cumpre os regulamentos sobre mercadorias perigosas. Podem aplicar-se normas locais.
- Retire sempre a bateria para transporte.
- Coloque fita adesiva nos conectores da bateria e certifique-se de que a bateria não pode mover-se durante o transporte.
- Prenda o produto durante o transporte.

Armazenamento

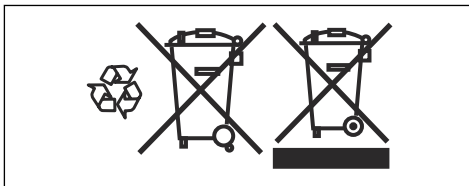
- Retire sempre a bateria durante o armazenamento.
- Para evitar acidentes, certifique-se de que a bateria não está ligada ao produto durante o armazenamento.
- Armazene o carregador da bateria apenas em espaços interiores secos.
- Armazene a bateria e o carregador da bateria num local seco, sem humidade nem gelo.
- Desligue a bateria do carregador da bateria durante o armazenamento.
- Não armazene a bateria num local onde possa haver eletricidade estática. Não armazene a bateria numa caixa metálica.
- Armazene a bateria num local onde a temperatura varie entre 5 °C e 25 °C e onde não fique exposta à luz solar.

- Armazene o carregador da bateria num local onde a temperatura varie entre 5 °C e 45 °C e onde não fique exposto à luz solar.
- Antes de armazenar a bateria durante longos períodos de tempo, certifique-se de que está carregada a 30-50%.
- Mantenha o produto, a bateria e o carregador de bateria num local fechado à chave, fora do alcance de crianças e de pessoas não autorizadas.
- Antes de armazenar o produto durante longos períodos de tempo, limpe-o e efetue uma manutenção completa do mesmo.

Eliminação

Os símbolos no produto ou na respetiva embalagem indicam que este produto não deve ser tratado como um resíduo doméstico. Tem de ser enviado para uma estação de reciclagem adequada para a recuperação de equipamentos elétricos e eletrónicos.

Ao garantir que este produto é tratado corretamente, pode ajudar a neutralizar o potencial impacto negativo sobre o meio ambiente e as pessoas, que de outra forma pode resultar da gestão incorreta dos resíduos deste produto. Para informações mais detalhadas sobre a reciclagem deste produto, contacte o seu município, o serviço de recolha de resíduos domésticos ou a loja onde adquiriu o produto.



Especificações técnicas

Especificações técnicas LC 141iV, LC 141i

	LC 141iV	LC 141i
Motor de corte		
Tipo de motor	BLDC (sem escova) 36V	BLDC (sem escova) 36V
Velocidade do motor – SavE, rpm	2700	2700
Velocidade do motor – nominal, rpm	3100	3100
Velocidade do motor – carga elevada, rpm	3700	3700
Potência do motor – máx. kW	0,8	0,8
Potência do motor – nominal, kW	0,55	0,55
Motor direto		
Potência do motor – nominal, kW	0,25	NA

	LC 141IV	LC 141i
Velocidade de autodeslocação, km/h	3,0-4,5	NA
Níveis de regulação de velocidade	4	NA
Peso		
Peso sem bateria, kg	21,5	18,6
Bateria ¹³⁴		
Tipo de bateria	Gama de equipamentos a bateria da Husqvarna	Gama de equipamentos a bateria da Husqvarna
Tempo de operação da bateria		
Tempo de operação da bateria, mín., (operação livre) com SavE ativado, com uma bateria de 5,2 Ah (BLi200) da Husqvarna.	77	77
Tempo de operação da bateria, mín., (operação livre) com modo normal ativado, com uma bateria de 5,2 Ah (BLi200) da Husqvarna.	45	45
Emissões de ruído ¹³⁵		
Nível de potência sonora, dB(A) medidos	88	88
Nível de potência sonora, garantido L _{WA} dB (A)	89	89
Níveis acústicos ¹³⁶		
Nível de pressão sonora ao nível do ouvido do operador, dB(A)	83	83
Níveis de vibração ¹³⁷		
Punho, m/s ²	2,0	2,0
Cortar		
Altura de corte, mm	25-70	25-70
Largura de corte, cm	41	41
Lâmina, número de artigo	Recolher – 5011716-01	Recolher – 5011716-01
Capacidade do ensacador, litros	50	50

Baterias aprovadas	Marca	Tipo	Capacidade da bateria, Ah	Tensão, V	Peso, kg
BLi10	Husqvarna	lões de lítio	2,0	36	1,8/0,8

¹³⁴ Para garantir o melhor resultado e desempenho, recomenda-se utilizar a bateria BLi200 da Husqvarna.

¹³⁵ Emissões de ruído para as imediações, medidas sob forma de potência sonora (L_{WA}) em conformidade com a diretiva da CE 2000/14/CE.

¹³⁶ Os dados comunicados relativamente ao nível de pressão de ruído têm uma dispersão estatística típica (desvio padrão) de 1,2 dB (A).

¹³⁷ Os dados comunicados relativamente ao nível de vibração têm uma dispersão estatística típica (desvio padrão) de 0,2 m/s².

Baterias aprovadas	Marca	Tipo	Capacidade da bateria, Ah	Tensão, V	Peso, kg
BLi100	Husqvarna	lões de lítio	2,6	36	1,9/0,8
BLi20	Husqvarna	lões de lítio	4,0	36	2,7/1,2
BLi200	Husqvarna	lões de lítio	5,2	36	2,8/1,3
BLi300	Husqvarna	lões de lítio	9,4	36	4,1/1,9

Carregadores aprovados para as baterias especificadas,	Marca	Tensão de entrada, V	Frequência, Hz	Potência, W
QC80	Husqvarna	100-240	50-60	80
QC80F	Husqvarna	12	0	80
QC250	Husqvarna	220-240	50	250
QC330	Husqvarna	100-240	50-60	330
QC500	Husqvarna	100-240	50-60	500

Especificações técnicas LC 141C

LC 141C	
Motor	
Tipo de motor	Motor CC de série
Velocidade do motor – nominal, rpm	3200
Potência	1800 W
Fonte de alimentação	Elétrico com fio
Cabo de alimentação (incluído apenas para o mercado do Reino Unido)	
Tipo de cabo	Extensão elétrica de 16 m
Peso, kg	1,6
Peso	
Peso, kg	20,4
Emissões de ruído ¹³⁸	
Nível de potência sonora, dB(A) medidos	93
Nível de potência sonora, garantido L _{WA} dB (A)	95
Níveis acústicos ¹³⁹	
Nível de pressão sonora ao nível do ouvido do operador, dB(A)	85

¹³⁸ Emissões de ruído para as imediações, medidas sob forma de potência sonora (L_{WA}) em conformidade com a diretiva da CE 2000/14/CE.

¹³⁹ Os dados comunicados relativamente ao nível de pressão de ruído têm uma dispersão estatística típica (desvio padrão) de 1,4 dB (A).

	LC 141C
Níveis de vibração ¹⁴⁰	
Punho, m/s ²	2,0
Cortar	
Altura de corte, mm	25-70
Largura de corte, cm	41
Lâmina, número de artigo	Recolha 5011716-01
Capacidade do ensacador, litros	50

¹⁴⁰ Os dados comunicados relativamente ao nível de vibração têm uma dispersão estatística típica (desvio padrão) de 0,2 m/s².

Declaração CE de conformidade

Declaração CE de conformidade

A **Husqvarna AB**, SE-561 82 Huskvarna, Suécia, tel: +46-36-146500, declara que os **corta-relvas Husqvarna LC 141iV e LC 141i** com os números de série 2018XXXXXXX e posteriores e **Husqvarna LC 141C** com os números de série 2015XXXXXXX, cumprem as disposições constantes na DIRETIVA DO CONSELHO:

- de 8 de junho de 2011 relativa à "restrição do uso de determinadas substâncias perigosas" **2011/65/UE**
- de 17 de maio de 2006 "referente a máquinas" **2006/42/CE**
- de 26 de fevereiro de 2014 "referente à compatibilidade eletromagnética" **2014/30/UE**
- de 8 de maio de 2000 "referente a emissões de ruído para o ambiente" **2000/14/CE**

Para mais informações relativas a emissões sonoras, consulte o capítulo Dados técnicos.

Foram aplicadas as seguintes normas para a certificação de Husqvarna LC 141iV e LC 141i: **IEC 60335-2-77:2002, IEC 60335-1:2010+A1:2013, EN 55014-1:2017, EN 55014-2:2015, EN 61000-3-2:2014, EN 61000-3-3:2013, EN 62233:2008**

Foram aplicadas as seguintes normas para a certificação de Husqvarna LC 141C: **EN 60335-1:2012+A11:2014, EN 60335-2-77:2010, EN 62233:2008, EN 55014-1:2017+A11, EN 55014-2:2015, EN 61000-3-2:2019, EN 61000-3-11:2019**

Entidade competente: **0404, RISE SMP Svensk Maskinprovning AB, Box 7035, SE-750 07 Uppsala** avaliou a conformidade de acordo com o Anexo VI da Diretiva 2000/14/CE.

Huskvarna, 2020-10-13



Claes Losdal, Chefe de Desenvolvimento/Produtos de Jardinagem (representante autorizado da Husqvarna AB e responsável pela documentação técnica).

CUPRINS

Introducere.....	561	Depanarea.....	582
Siguranță.....	565	Transportul, depozitarea și eliminarea.....	584
Asamblarea.....	573	Date tehnice.....	585
Funcționarea.....	575	Declarație de conformitate CE.....	588
Întreținerea.....	580		

Introducere

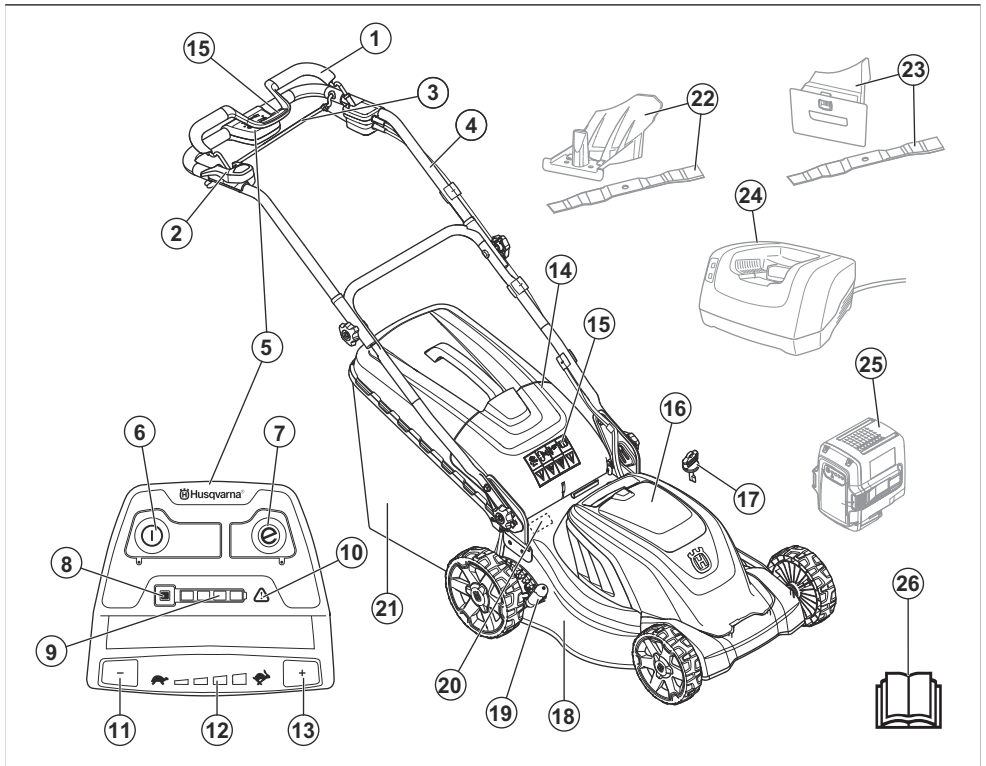
Descrierea produsului

Produsul este o mașină rotativă pentru tuns gazonul controlată de un operator-pieton. Iarba se adună într-un colector de iarbă. Demontați colectorul de iarbă pentru a efectua descărcarea ierbii prin partea posterioară a mașinii. Atașați un kit de mărunțire (accesoriu) pentru a tăia iarba și a o transforma în îngrășământ.

Domeniul de utilizare

Utilizați produsul pentru a tăia iarba. Nu utilizați produsul pentru alte sarcini.

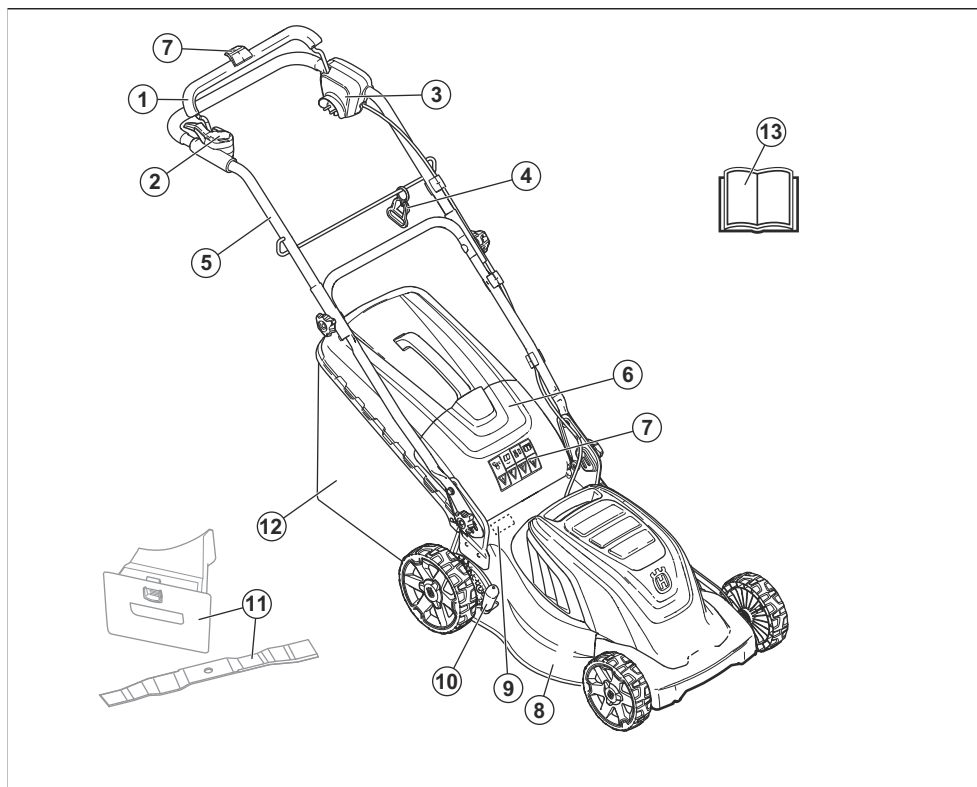
Prezentare generală a produsului LC 141iV / LC 141i



1. Maneta frânei de motor
2. Inhibitorul de pornire
3. Manetă de transmisie (LC 141iV)
4. Mâner/ghidon
5. Panoul de control
6. Buton ON/OFF (Pornire/oprire)

7. Butonul SavE (economisire)
8. Buton indicator de baterie
9. Indicator încărcare baterie
10. Indicator de avertisment (LED DE EROARE)
11. Buton pentru reducerea vitezei (LC 141iV)
12. Indicator pentru nivelul vitezei (LC 141iV)
13. Buton pentru mărirea vitezei (LC 141iV)
14. Capac posterior
15. Simboluri
16. Capac baterie
17. Cheie de siguranță
18. Capac de tăiere
19. Pârghie pentru înălțimea de tăiere
20. Plăcuță de identificare
21. Colectorul de iarbă
22. Kit de mărunțire (Accesoriu pentru LC 141iV)
23. Kit de mărunțire (Accesoriu pentru LC 141i)
24. Încărcător de baterie (accesoriu)
25. Baterie (accesoriu)
26. Manualul operatorului

Prezentare generală a produsului LC 141C



1. Maneta frânei de motor
2. Inhibitorul de pornire
3. Priza cablului de alimentare
4. Suportul cablului de alimentare
5. Mâner/ghidon
6. Capac posterior
7. Simboluri
8. Capac de tăiere
9. Plăcuță de identificare
10. Pârghie pentru înălțimea de tăiere
11. Obturator pentru resturi vegetale (accesoriu)
12. Colectorul de iarbă
13. Manualul operatorului

Simbolurile de pe produs



Dacă produsul nu este utilizat corect și cu atenție, operatorul sau

persoanele din zonă pot suferi vătămări corporale sau deces.



Citiți manualul operatorului și asigurați-vă că înțelegeți instrucțiunile înainte de a utiliza acest produs.



Țineți persoanele și animalele la o distanță sigură de zona de lucru.



Feriți-vă de obiectele proiectate sau care ricoșează.



Avertisment: Feriți-vă mâinile și picioarele de cuțitul rotativ.



Avertisment: Feriți-vă mâinile și picioarele de piesele rotative.



Scoateți cheia de siguranță înainte de a efectua operații de întreținere asupra produsului. (modelul LC 141iV/LC 141i)



Deconectați produsul de la priza electrică înainte de a efectua operații de întreținere asupra produsului. (modelul LC 141C)

IPX1 IPX1 - Produsul este protejat împotriva apei (model LC 141iV/ LC 141i)

IPX4 IPX4 - Produsul este protejat împotriva stropilor de apă (model LC 141C)



Nu lăsați produsul în ploaie (model LC 141iV/ LC 141i)



Avertisment: Nu permiteți trecerea produsului peste cablul de alimentare deoarece acest lucru poate duce la electrocutare sau la deteriorarea produsului. (modelul LC 141C)



Acest produs este în conformitate cu directivele UE aplicabile.



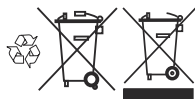
Emisii de zgomot în mediu conform Directivei Comunității Europene. Nivelul de emisii al produsului este specificat în capitolul Date tehnice și pe etichetă.



Curent continuu. 36V



Izolație dublă.



Reciclați acest produs la un centru de reciclare pentru echipamente electrice și electronice. (Este valabilă numai pentru Europa)



Procedura de pornire pentru modelul LC 141iV/ LC 141i: apăsați butonul de pornire/oprire, slăbiți inhibitorul de pornire, împingeți în jos maneta frânei de motor.



Procedura de pornire pentru modelul LC 141C: slăbiți inhibitorul de pornire, împingeți în jos maneta frânei de motor.



Eliberați maneta frânei de motor pentru oprire.



Lent



Rapid



Cod scanabil

Nota: Celelalte simboluri/etichete de pe produs se referă la cerințele de certificare pentru anumite piețe.

Răspunderea pentru produs

Conform prevederilor legislației privind răspunderea pentru produs, nu ne asumăm răspunderea pentru daunele cauzate de produsul nostru dacă:

- produsul este reparat necorespunzător;
- produsul este reparat cu piese care nu provin de la producător sau care nu sunt aprobate de acesta;
- produsul are un accesoriu care nu provine de la producător sau care nu este aprobat de acesta;
- produsul nu este reparat la un centru de service omologat sau de o autoritate omologată;

Definiții privind siguranța

Avertismentele, atenționările și notele sunt utilizate pentru a desemna părți foarte importante din manual.



AVERTISMENT: Se utilizează dacă există risc de vătămare sau de deces pentru operator sau pentru trecători, în cazul în care instrucțiunile din manual nu sunt respectate.



ATENȚIE: Se utilizează dacă există un risc de deteriorare a produsului, a altor materiale sau a zonelor învecinate, dacă instrucțiunile din manual nu sunt respectate.

Nota: Se utilizează pentru a furniza mai multe informații care sunt necesare într-o situație dată.

Instrucțiuni generale de siguranță



AVERTISMENT: Înainte de a utiliza produsul, citiți instrucțiunile de avertizare de mai jos.

- Acest produs este periculos dacă este utilizat incorect sau dacă nu sunteți atent. Nerespectarea instrucțiunilor de siguranță poate cauza vătămări corporale sau decesul.
- În timpul funcționării, acest produs produce un câmp electromagnetic. În anumite condiții, acest câmp poate interfera cu implanturile medicale active sau pasive. Pentru a reduce riscul de vătămări corporale grave sau mortale, recomandăm persoanelor cu implanturi medicale să consulte medicul și producătorul implantului medical înainte de a utiliza acest produs.
- Procedați întotdeauna cu atenție și folosiți-vă judecata. Dacă nu sunteți sigur cum să utilizați produsul într-o situație specială, opriți-l și adresați-vă distribuitorului Husqvarna înainte de a continua.
- Rețineți că operatorul poartă responsabilitatea privind orice accidente care implică alte persoane sau bunurile acestora.
- Păstrați produsul curat. Asigurați-vă că puteți citi clar semnele și etichetele.
- Nu lăsați niciodată copiii sau persoanele nefamiliarizate cu aceste instrucțiuni să folosească aparatul. Este posibil ca reglementările locale să limiteze vârsta operatorului
- Monitorizați permanent o persoană cu capacități fizice sau mentale reduse care utilizează produsul. Un adult responsabil trebuie să fie prezent în permanență.

- Nu utilizați produsul atunci când sunteți obosit, bolnav sau dacă ați consumat alcool, droguri sau ați luat medicamente. Acestea vă afectează negativ acuitatea vizuală, atenția, coordonarea și judecata.
- Nu utilizați produsul dacă este defect.
- Nu modificați acest produs și nu îl utilizați dacă este posibil să fi fost modificat de către alte persoane.

Siguranța zonei de lucru



AVERTISMENT: Înainte de a utiliza produsul, citiți instrucțiunile de avertizare de mai jos.

- Înainte de a utiliza produsul, îndepărtați obiectele precum crengile, rămurelele și pietrele din zona de lucru.
 - Obiectele care se lovesc de echipamentul de tăiere pot fi aruncate, provocând vătămări corporale și pagube materiale. Țineți trecătorii și animalele la o distanță sigură de produs.
 - Nu utilizați produsul pe vreme rea, de exemplu pe ceață, ploaie, vânt puternic, la temperaturi exterioare foarte scăzute și atunci când există
- riscul de descărcări electrice. Utilizarea produsului pe vreme nefavorabilă sau pe teren umed sau inundat este obositoare. Vremea nefavorabilă poate conduce la apariția de situații periculoase, de exemplu suprafețe alunecoase.
 - Verificați dacă există persoane, obiecte și situații care pot împiedica funcționarea în siguranță a produsului.
 - Atenție la obstacole, precum rădăcini, pietre, ramuri, gropi și șanțuri. În iarba înaltă se pot ascunde obstacole.
 - Tunderea ierbii pe pante poate fi periculoasă. Nu tundeți pante excesiv de abrupte. Nu utilizați produsul pe pante cu înclinație mai mare de 15°
 - Aveți foarte mare grijă atunci când schimbați direcția de deplasare pe pante. Utilizați produsul de-a curmezișul pantei. Nu efectuați mișcări în sus și în jos.
 - Procedați cu atenție atunci când vă apropiați de colțuri ascunse și de obiecte care blochează vederea.

Siguranța în lucru



AVERTISMENT: Înainte de a utiliza produsul, citiți instrucțiunile de avertizare de mai jos.

- Utilizați acest produs numai pentru tunderea gazonului. Nu este permisă utilizarea acestui produs pentru alte lucrări.
- Utilizați echipamentul de protecție personală. Consultați *Echipament de protecție personală la pagina 568*.
- Asigurați-vă că știți cum să opriți rapid motorul în caz de urgență.
- Nu utilizați produsul în ploaie sau în condiții de umezeală. Riscul de electrocutare crește dacă apa pătrunde în produs.
- Nu utilizați produsul decât dacă au fost montate corect cuțitul și toate capacele. Un cuțit montat incorect se poate slăbi, provocând vătămări corporale.
- Asigurați-vă că lama nu lovește obiecte, precum pietre și rădăcini. Acestea pot deteriora cuțitul și pot îndoii arborele motorului. Un ax îndoit poate genera vibrații puternice și prezintă un risc foarte ridicat de slăbire a cuțitului.
- Dacă lama lovește un obiect sau dacă observați vibrații, opriți produsul imediat. Opriți motorul, rotiți cheia de siguranță la 0 și scoateți bateria (model LC 141iV și LC 141i) sau deconectați cablul de alimentare (model LC 141C). Examinați dacă produsul este deteriorat. Reparați defecțiunile sau solicitați unui agent de service autorizat să le repare.
- Nu atașați niciodată maneta frânei de motor la mâner, în mod permanent, atunci când motorul este pornit.
- Poziționați produsul pe o suprafață stabilă, plană și porniți-l. Asigurați-vă că lama nu atinge solul sau alte obiecte.
- Stați întotdeauna în spatele produsului atunci când îl utilizați.
- Mențineți toate roțile pe sol și țineți ambele mâini pe mâner când utilizați produsul. Feriți-vă mâinile și picioarele de cuțitele rotative.
- Nu înclinați produsul când motorul este pornit.
- Fiți atent atunci când trageți produsul în spate.

- Nu ridicați niciodată produsul când motorul este pornit. Dacă trebuie să ridicați produsului, mai întâi opriți motorul, rotiți cheia de siguranță la 0 și scoateți bateria (model LC 141iV și LC 141i) sau deconectați cablul de alimentare (model LC 141C).
- Nu mergeți cu spatele în timp ce utilizați produsul.
- Opriți motorul când traversați zone fără iarbă, de exemplu alei din pietriș, piatră și asfalt.
- Nu alergați cu produsul când motorul este pornit. Întotdeauna mergeți în timp ce utilizați produsul.
- Opriți motorul înainte de a schimba înălțimea de tăiere. Nu efectuați niciodată reglaje cu motorul pornit.
- Nu lăsați niciodată produsul să iasă din câmpul vizual cu motorul pornit. Opriți motorul și asigurați-vă că echipamentul de tăiere nu se rotește.

Instrucțiuni de siguranță pentru utilizare

Echipament de protecție personală



AVERTISMENT: Înainte de a utiliza produsul, citiți

instrucțiunile de avertizare de mai jos.

- Echipamentele de protecție personală nu pot elimina complet riscul de rănire, însă pot reduce gravitatea rănilor în cazul unui accident. Distribuitorul vă poate ajuta să alegeți echipamentul corect.
- Utilizați întotdeauna ghete sau pantofi pentru regim greu de lucru, cu rezistență la alunecare. Nu folosiți pantofi decupați și nu operați produsul desculț.
- Utilizați pantaloni lungi, groși.
- Purtați mănuși de protecție atunci când este necesar, de exemplu atunci când conectați, inspectați sau curățați echipamentul de tăiere.

Dispozitivele de siguranță de pe produs



AVERTISMENT: Înainte de a utiliza produsul, citiți instrucțiunile de avertizare de mai jos.

- Nu utilizați un produs cu dispozitive de siguranță deteriorate.
- Verificați regulat dispozitivele de siguranță. Dacă dispozitivele de siguranță sunt defecte, contactați agentul de service Husqvarna.

Verificarea capacului de tăiere

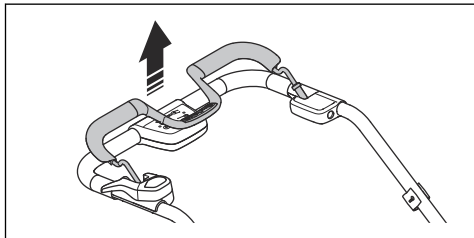
Capacul de tăiere reduce vibrațiile în produs și scade riscul de rănire de la cuțit.

- Examinați capacul de tăiere și asigurați-vă că nu există defecte, precum fisuri.

Maneta frânei de motor

Maneta frânei de motor oprește motorul. Când maneta frânei de motor este eliberată, motorul se oprește.

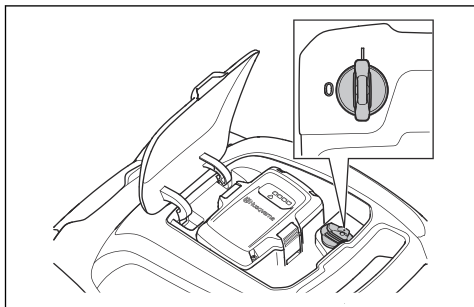
Pentru a efectua o inspecție a frânei de motor, porniți motorul și apoi eliberați maneta frânei de motor. Dacă motorul nu se oprește în 3 secunde, solicitați unui agent de service autorizat Husqvarna să regleze frâna de motor.



Cheie de siguranță (modelele LC 141iV și LC 141i)

Cheia de siguranță este sub capacul bateriei. Cheia de siguranță conectează bateria care alimentează motorul cu energie.

- Porniți și opriți motorul pentru a verifica cheia de siguranță.
- Dacă cheia de siguranță funcționează corect, motorul pornește doar atunci când cheia este în poziția 1.

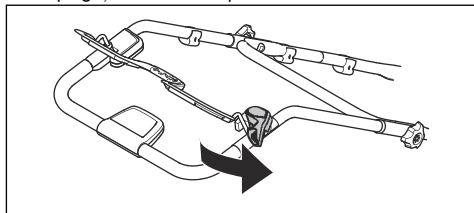


Pentru examinarea inhibitorului de pornire

Verificați inhibitorul de pornire pentru a vă asigura că acesta împiedică funcționarea demarorului.

1. Împingeți maneta frânei de motor în direcția mânerului. Inhibitorul de pornire oprește mișcarea.

2. Împingeți inhibitorul de pornire în afară.

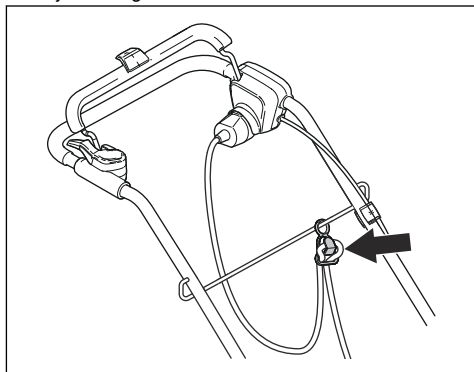


3. Eliberați inhibitorul de pornire și asigurați-vă că revine la poziția sa inițială.

Pentru a utiliza suportul cablului de alimentare (model LC 141C)

Suportul cablului de alimentare scade tensiunea asupra prizei de alimentare și asupra cablului de alimentare. Suportul cablului de alimentare scade, de asemenea, riscul de căderi.

1. Îndoiiți cablul de alimentare într-o buclă mică.
2. Puneți bucla în orificiul suportului cablului de alimentare.
3. Puneți bucla în jurul cârligului.
4. Trageți cablul de alimentare pentru a strânge bucla în jurul cârligului.



Siguranța bateriei



AVERTISMENT: Înainte de a utiliza produsul, citiți instrucțiunile de avertizare de mai jos.

- Utilizați numai baterii reîncărcabile Husqvarna ca sursă de alimentare pentru

produsele Husqvarna asociate. Pentru a evita rănirea, nu folosiți bateria ca sursă de alimentare pentru alte dispozitive.

- Nu utilizați baterii nereîncărcabile.
- Risc de electrocutare. Nu conectați bornele bateriei la chei, monede, șuruburi sau alte metale. Aceasta poate cauza scurtcircuitarea bateriei.
- Nu puneți obiecte în fantele de aerisire a bateriei.
- Feriți bateria de lumina solară, de căldură sau de flăcări deschise. Bateria poate exploda și provoca arsuri și/sau arsuri chimice.
- Feriți bateria de ploaie și de condiții de umezeală.
- Feriți bateria de microunde și de înaltă presiune.
- Nu încercați să demontați sau să spargeți bateria.
- Dacă există scurgeri de lichid dintr-o baterie, nu lăsați lichidul să intre în contact cu pielea sau ochii. Dacă ați atins lichidul, curățați zona cu apă din abundență și consultați medicul.
- Utilizați bateria la temperaturi între -10°C și 40°C.
- Nu curățați niciodată bateria sau încărcătorul cu apă.

Consultați *Pentru a curăța bateria și încărcătorul la pagina 581.*

- Nu utilizați o baterie defectă sau deteriorată.
- Depozitați bateriile la distanță de obiecte de metal, de exemplu cuie, monede, bijuterii.

Siguranța încărcătorului bateriei



AVERTISMENT: Înainte de a utiliza produsul, citiți instrucțiunile de avertizare de mai jos.

- Utilizați numai încărcătoare de baterii QC pentru a încărca bateriile de schimb Husqvarna.
- Pericol de electrocutare sau de scurtcircuit. Nu puneți obiecte în fantele de aerisire a încărcătorului. Nu încercați să dezamblați încărcătorul de baterii. Nu conectați bornele încărcătorului la obiecte metalice. Folosiți o priză de curent aprobată.
- În timpul funcționării, acest produs produce un câmp electromagnetic. În anumite condiții, acest câmp poate interfera cu implanturile medicale active sau pasive. Pentru a scădea riscul de

afecțiuni care pot conduce la vătămare sau la deces, recomandăm persoanelor cu implanturi medicale să consulte medicul și producătorul implantului medical înainte de a utiliza produsul.

- Asigurați-vă periodic că cablul de alimentare al încărcătorului de baterii nu este deteriorat și că nu prezintă fisuri.
- Nu ridicați încărcătorul bateriei ținând de cablul de alimentare. Pentru a deconecta încărcătorul de baterii de la priza de perete, trageți de ștecăr. Nu trageți de cablul de alimentare.
- Țineți cablul de alimentare și prelungitoarele la distanță de apă, ulei și muchiile ascuțite. Asigurați-vă că acest cablu nu este prins în uși, garduri sau în alte locuri similare. În caz contrar, încărcătorul poate intra sub tensiune.
- Nu curățați încărcătorul de baterii folosind apă.
- Acest încărcător de baterii poate fi utilizat de către copiii cu vârsta peste 8 ani și de către persoane ce au capacități fizice, senzoriale sau mentale reduse sau care nu au experiența și

cunoștințele necesare, dacă sunt supravegheate sau au primit instrucțiuni referitoare la utilizarea încărcătorului de baterii în siguranță și înțeleg riscurile implicate. Copiii nu trebuie să se joace cu încărcătorul de baterii. Curățarea și întreținerea nu se vor efectua de copii fără supraveghere.

- Nu încărcați baterii nereîncărcabile în încărcătorul de baterii.
- Nu utilizați încărcătorul de baterii în apropiere de materiale inflamabile sau materiale care pot cauza coroziune. Nu acoperiți încărcătorul bateriei. În caz de fum sau de incendiu, scoateți ștecărul încărcătorului de baterii.
- Nu utilizați un încărcător de baterii defect sau deteriorat.
- Încărcați bateria numai în interior, într-o încăpere cu aerisire adecvată și departe de lumina soarelui. Nu încărcați bateria în medii umede.

Siguranța cablului de alimentare

Pentru modelul LC 141C.

- Se recomandă utilizarea unui dispozitiv cu curent rezidual (R.C.D.) cu un curent de declanșare de peste 30 mA.

Chiar și în condițiile unui R.C.D. instalat, nu se poate garanta siguranța în proporție de 100%, fiind necesară respectarea permanentă a procedurilor de lucru în siguranță. Verificați valoarea R.C.D. la fiecare utilizare.

- Deconectați imediat de la priză în cazul în care cablul de alimentare este tăiat sau izolația este deteriorată.
- Nu atingeți un cablu de alimentare tăiat sau deteriorat până când alimentarea electrică nu este deconectată.
- Nu reparați un cablu de alimentare tăiat sau deteriorat. Înlocuiți-l cu unul nou.

Instrucțiuni de siguranță pentru întreținere



AVERTISMENT: Înainte de a utiliza produsul, citiți instrucțiunile de avertizare de mai jos.

- Operațiilor de întreținere, deconectați cablul de alimentare.
 - Efectuați lucrările de întreținere în mod corect pentru a prelungi durata de viață a produsului și reduce pericolul de accidente. Lucrările de reparații profesionale trebuie efectuate de un agent de service autorizat. Discutați cu agentul de service cel mai apropiat de dvs. pentru mai multe informații.
 - Efectuați numai lucrările de întreținere care se regăsesc în acest manual al operatorului. Operațiile de service mai extinse trebuie efectuate de un agent de service autorizat.
 - Puneți-vă mănuși de protecție rezistente atunci când utilizați echipamentul de tăiere. Cuțitul este foarte ascuțit și vă puteți tăia foarte ușor.
 - Mențineți tășurile de tăiere ascuțite și curățate pentru performanță și siguranță optimă.
 - Permiteți agentului de service să verifice periodic produsul și să efectueze reglajele și reparațiile necesare.
 - Înlocuiți piesele deteriorate, uzate sau defecte.
- Pentru modelul LC 141iV, LC 141i: Pentru a preveni pornirea accidentală în timpul operațiilor de întreținere, rotiți cheia de siguranță la 0 și scoateți bateria. Așteptați minimum 5 secunde înainte de a începe lucrările de întreținere.
 - Pentru modelul LC 141C: Pentru a preveni pornirea accidentală în timpul

- Respectați instrucțiunile privind modul de schimbare a accesoriilor. Utilizați numai accesoriile furnizate de producător.
- Atunci când nu este în funcțiune, păstrați produsul,

bateria și încărcătorul în interior, într-un loc uscat și încuiat. Asigurați-vă că persoanele neavizate și copiii nu au acces la produs, la baterie sau la încărcător.

Asamblarea

Introducere



AVERTISMENT: Înainte de a asambla produsul, citiți capitolul privind siguranța.

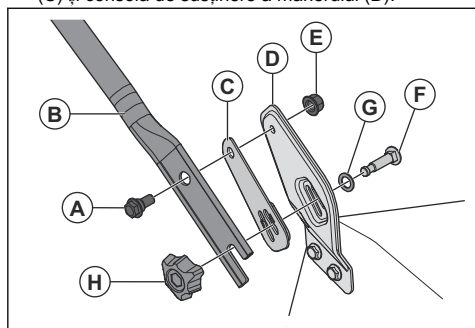


AVERTISMENT: Pentru modelul LC 141iV, LC 141i: Pentru a preveni pornirea accidentală în timpul asamblării, rotiți cheia de siguranță la 0, scoateți bateria și așteptați minimum 5 secunde.

Pentru modelul LC 141C: Pentru a preveni pornirea accidentală în timpul asamblării, deconectați cablul de alimentare.

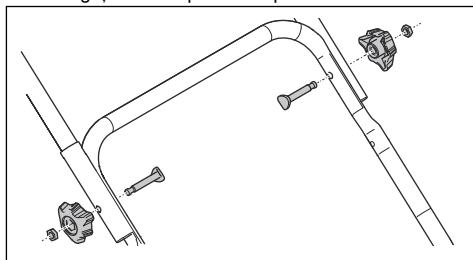
Asamblarea mânerului

1. Împingeți șurubul (A) prin mâner (B), șaiba de plastic (C) și consola de susținere a mânerului (D).

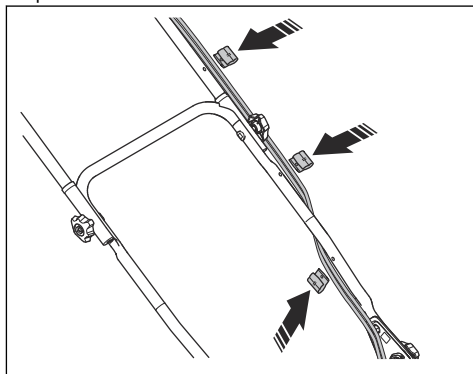


2. Strângeți complet piulița (E).
3. Împingeți șurubul (F) prin șaibă (G) și consola de susținere a mânerului.
4. Strângeți complet rozeta (H).

5. Aliniați orificiile din mâner cu orificiile din mânerul inferior și atașați șuruburile, șaibele și rozetele. Strângeți rozetele până la capăt.

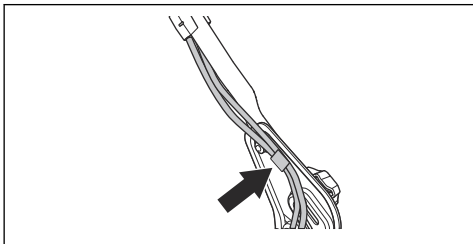


6. Atașați cablurile la mâner cu ajutorul suporturilor pentru cabluri.



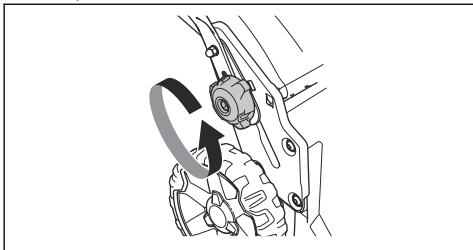
Nota: Asigurați-vă că tensionarea cablurilor nu este exagerată. O tensiune prea înaltă poate cauza deteriorarea cablului dacă mânerul este pliat în poziția pentru transport.

7. Puneți cablurile în jurul cârligului din partea inferioară a mânerului.

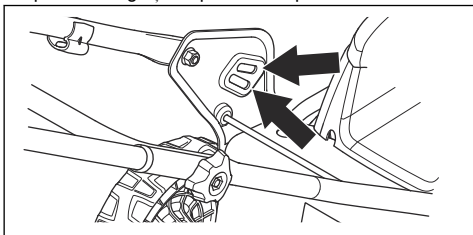


Reglarea înălțimii mânerului

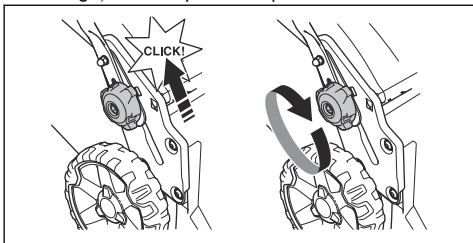
1. Slăbiți butoanele inferioare.



2. Demontați butonul, șaiba și șurubul din partea stângă și din partea dreaptă.
3. Înălțimea mânerului poate fi reglată în 2 poziții diferite. Puneți șurubul în una din cele 2 găuri din partea stângă și din partea dreaptă.

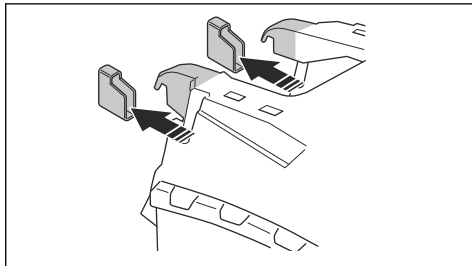


4. Montați șuruburile, șabilele și rozetele.
5. Deplasați butoanele în sus în direcția mânerului, până când acestea se opresc și se aude un clic. Strângeți rozetele până la capăt.

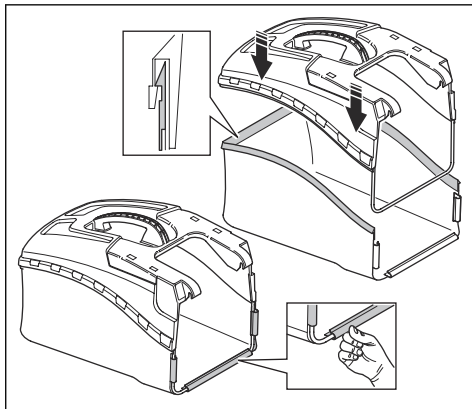


Pentru asamblarea colectorului de iarbă

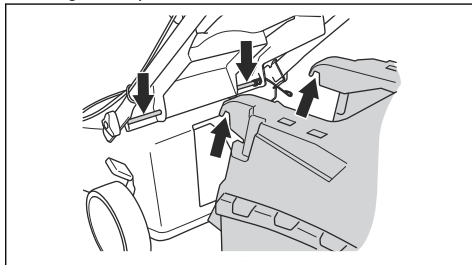
1. Împingeți cele 2 capace pentru transport în afară și în jos.



2. Așezați partea superioară a colectorului de iarbă peste partea inferioară a colectorului de iarbă. Prindeți cadrul colectorului de iarbă cu ajutorul clemelor.



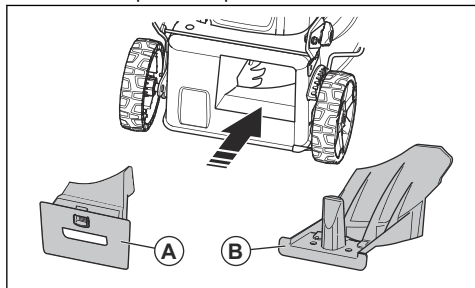
3. Ridicați capacul posterior.
4. Prindeți cârligele de pe colectorul de iarbă de marginea superioară a carcasei.



Pentru a asambla kitul obturatorului pentru resturi vegetale

1. Ridicați capacul posterior și scoateți colectorul de iarbă.

2. Introduceți obturatorul pentru resturi vegetale în canalul colectorului de iarbă. Obturatorul pentru resturi vegetale de tip A este pentru LC 141i și LC 141C. Tipul B este pentru LC 141iV.



3. Închideți capacul posterior.
4. Înlocuiți lama cu cea pentru unelea combinată, consultați *Demontarea și înlocuirea cuțitului la pagina 582*.

Funcționarea

Introducere



AVERTISMENT: Înainte de a utiliza produsul, trebuie să citiți și să înțelegeți capitolul privind siguranța.

Husqvarna Connect

Husqvarna Connect este o aplicație gratuită pentru dispozitivul dvs. mobil. Aplicația Husqvarna Connect vă oferă funcții extinse pentru produsul dvs. Husqvarna:

- Informații pe larg despre produs.
- Informații despre piese pentru produse și service și asistență pentru acestea.

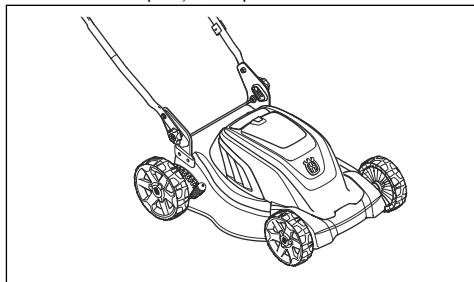
Pentru a începe să utilizați Husqvarna Connect

1. Descărcați aplicația Husqvarna Connect pe dispozitivul dvs. mobil.
2. Înregistrați-vă în aplicația Husqvarna Connect.
3. Urmați pașii cu instrucțiuni din aplicația Husqvarna Connect pentru a conecta și înregistra produsul.

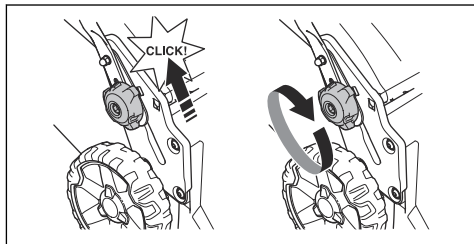
Pentru a așeza produsul în poziția de funcționare

Dacă mânerul este pus în poziția de transport și de depozitare (consultați *Așezați produsul în poziția de transport la pagina 584*), efectuați procedura care urmează pentru a pune mânerul în poziția de operare.

1. Ridicați mânerul până când mânerul inferior se blochează în poziția de operare.

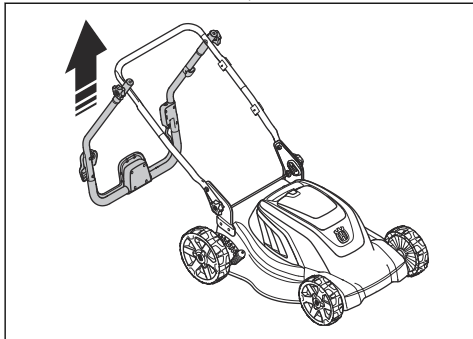


2. Deplasați butoanele din partea de jos în sus în direcția mânerului, până când acestea se opresc și se aude un clic.



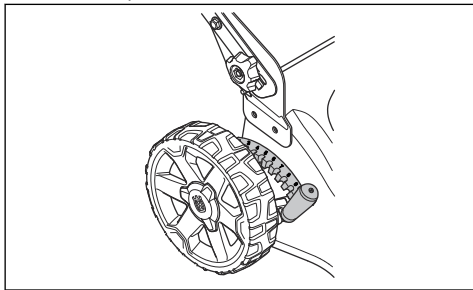
3. Strângeți butoanele.

4. Ridicați mânerul superior și strângeți butoanele.



Pentru a seta înălțimea de tăiere

1. Deplasați spre spate pârghia înălțimii de tăiere pentru a mări înălțimea de tăiere.
2. Deplasați înainte pârghia înălțimii de tăiere pentru a reduce înălțimea de tăiere.



ATENȚIE: Nu setați o înălțime de tăiere prea scăzută. Cuțitele pot atinge solul dacă suprafața gazonului nu este plană.

Bateria

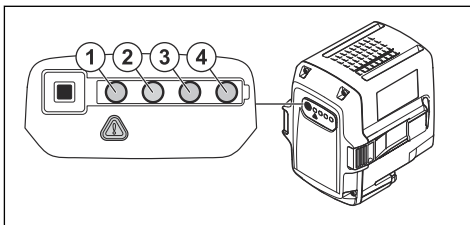


AVERTISMENT: Înainte de a utiliza bateria, trebuie să citiți și să înțelegeți capitolul privind siguranța. Trebuie, de asemenea, să citiți și înțelegeți informațiile din manualul operatorului privind bateria și încărcătorul.

Starea bateriei

Afișajul arată capacitatea rămasă a bateriei și dacă există probleme cu aceasta. Capacitatea bateriei este afișată timp de 5 secunde după ce produsul este oprit sau după ce este apăsat butonul indicatorului. Simbolul

de avertisment de pe baterie se aprinde când apare o eroare. Consultați *Bateria la pagina 582*.



Lumini LED	Stare baterie
Toate LED-urile sunt aprinse	Complet încărcată (75 - 100 %)
Sunt aprinse LED-urile 1, 2 și 3	Bateria este încărcată în proporție de 50 - 75 %
Sunt aprinse LED-urile 1 și 2	Bateria este încărcată în proporție de 25 - 50 %
Este aprins LED-ul 1	Bateria este încărcată în proporție de 0-25 %
LED-ul 1 se aprinde intermitent	Bateria este descărcată. Încărcați bateria.

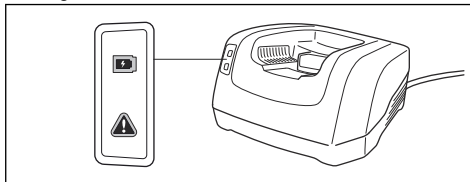
Încărcarea bateriei

Încărcați bateria înainte de prima utilizare. Bateria este încărcată în proporție de doar 30 % la livrarea către client.

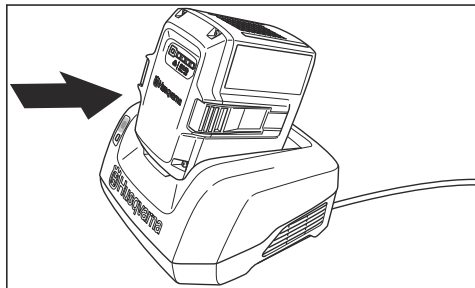
Nota: Încărcătorul trebuie conectat la o sursă de alimentare având tensiunea și frecvența specificate pe plăcuța de identificare.

Bateria nu se încarcă dacă temperatura acesteia este mai mare de 50° C. Încărcătorul de baterii reduce temperatura bateriei înainte de a începe încărcarea.

1. Conectați un capăt al cablului de alimentare al încărcătorului la mufa acestuia.
2. Conectați celălalt capăt al cablului de alimentare al încărcătorului la o priză de curent cu împământare. LED-ul de pe încărcătorul bateriei se aprinde o singură dată, în culoarea verde.



3. Introduceți bateria în încărcătorul aferent. Lumina verde de pe încărcător se aprinde atunci când bateria este conectată corect la încărcător.



4. Atunci când toate LED-urile de pe baterie sunt aprinse, bateria este încărcată complet. Încărcați bateria timp de maximum 24 de ore.
5. Pentru a decupla încărcătorul de baterii de la priza de curent, trageți de ștecher și nu de cablul de alimentare.
6. Scoateți bateria din încărcător.

Nivelul de încărcare a bateriei

O baterie Husqvarna Li-ion poate fi încărcată sau utilizată la toate nivelurile de încărcare. Bateria nu se deteriorează. O baterie complet încărcată nu-și reduce nivelul de încărcare atunci când este lăsată în încărcător.

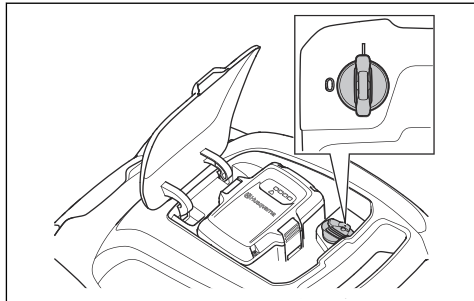
Afișaj LED	Nivelul de încărcare
LED-ul 1 se aprinde intermitent	0%-25%
LED-ul 1 este aprins, LED-ul 2 se aprinde intermitent	25%-50%
LED-urile 1 și 2 sunt aprinse, LED-ul 3 se aprinde intermitent	50%-75%
LED-urile 1, 2 și 3 sunt aprinse, LED-ul 4 se aprinde intermitent	75%-100%
LED-urile 1, 2, 3 și 4 sunt aprinse	Încărcată complet

Pentru a opera LC 141iV și LC 141i

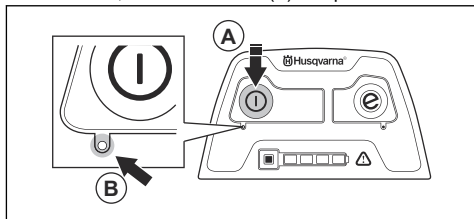
Pornirea produsului

1. Introduceți o baterie încărcată în compartimentul bateriei.

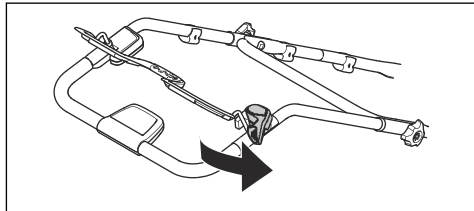
2. Rotiți cheia de siguranță la 1.



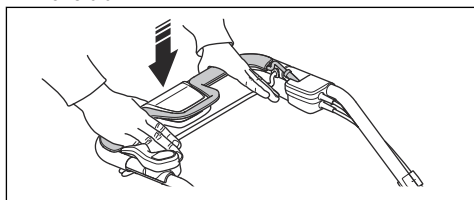
3. Stați în spatele produsului.
4. Apăsăți butonul de pornire/oprire (A) de pe panoul de control, iar LED-ul verde (B) se aprinde.



5. Slăbiți inhibitorul de pornire.

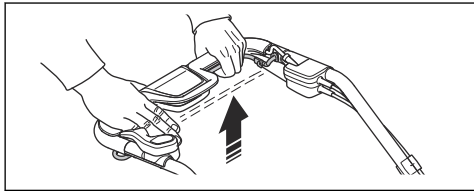


6. Împingeți maneta frânei de motor în direcția mânerului.

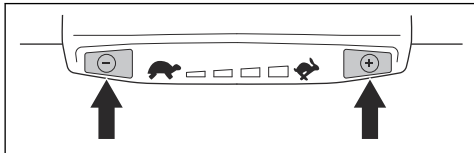


Pentru a utiliza transmisia pe roți

- Modelul LC 141iV. Trageți maneta de transmisie în direcția mânerului pentru a porni transmisia.



- Apăsați pe + și pe - de pe panoul de control, pentru a seta viteza de transmisie în 4 trepte.

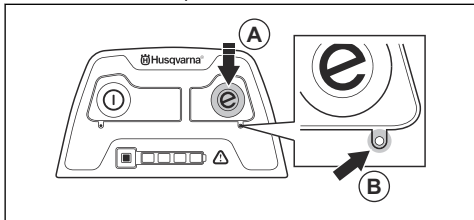


- Eliberați maneta de transmisie pentru a dezactiva transmisia, de exemplu atunci când vă apropiați de un obstacol.

Pentru utilizarea funcției SavE (economisire)

Produsul are o funcție de economisire a bateriei (SavE) care asigură o durată mai lungă de funcționare.

1. Apăsați pe butonul SavE (A) pentru a activa funcția. LED-ul verde se aprinde.



2. Apăsați din nou pe butonul SavE pentru a dezactiva funcția. LED-ul verde (B) se stinge.

Funcția SavE se dezactivează automat când condițiile la sol impun folosirea de mai multă putere. Funcția SavE se activează automat când condițiile la sol permit acest lucru.

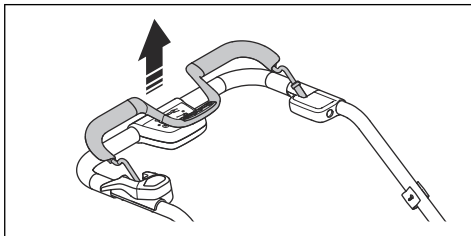
Funcționarea cu sarcină ridicată

Atunci când produsul taie iarbă lungă sau umedă, motorul își mărește automat turația. Motorul revine la modul standard când sarcina ridicată nu mai este necesară.

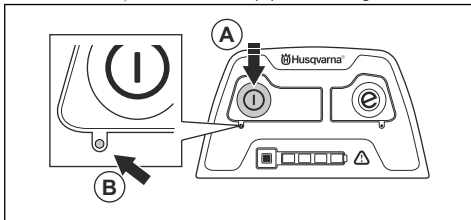
Oprirea produsului

Produsul se oprește automat dacă nu-l utilizați timp de 10 minute. Rotiți întotdeauna cheia de siguranță la 0 înainte să lăsați produsul să iasă din câmpul vizual.

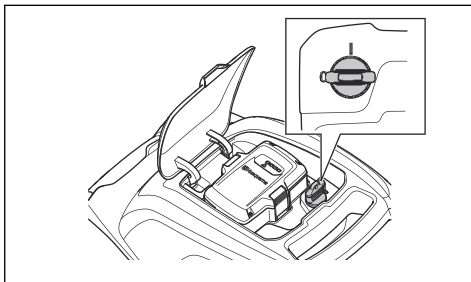
1. Eliberați maneta frânei de motor pentru a opri motorul.



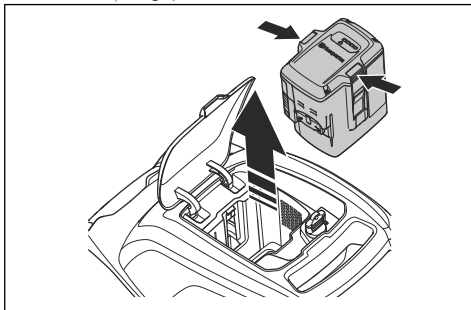
2. Apăsați butonul de pornire/oprire (A) de pe panoul de control și LED-ul verde (B) se va stinge.



3. Deschideți capacul bateriei și rotiți cheia de siguranță la 0.



4. Pentru a scoate bateria, apăsați cele 2 butoane de eliberare și trageți bateria în afară.



5. Încărcați bateria dacă este slabă. Pentru mai multe informații, consultați *Încărcarea bateriei la pagina 576*.

Pentru a utiliza LC 141C

Pentru a selecta un cablu aprobat (LC 141C)

Nota: Pentru piața din Marea Britanie, utilizați numai cablul prelungitor de 16 m furnizat împreună cu produsul. Pentru toate celelalte piețe, consultați informațiile de mai jos.

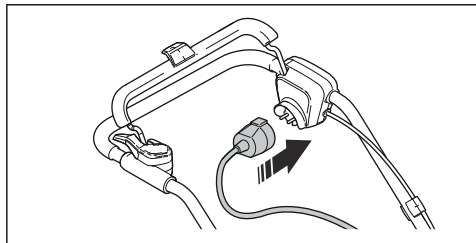
Dacă se utilizează cabluri prelungitoare, acestea trebuie să respecte secțiunile transversale minime din tabelul de mai jos:

Tensiune	Lungime cablu	Secțiune transversală
220 - 240 V/50 Hz	Până la 20 m	1,5 mm ²
220 - 240 V/50 Hz	20-50 m	2,5 mm ²

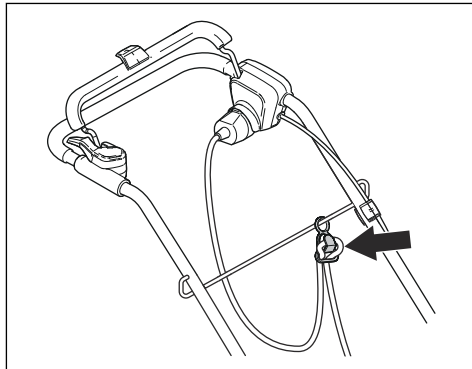
- Cablurile de alimentare și cablurile prelungitoare sunt disponibile la agentul local de service aprobat pentru produsele Husqvarna pentru utilizare în exterior.
- Utilizați numai cabluri prelungitoare proiectate special pentru utilizarea în exterior și care sunt conforme cu una dintre următoarele specificații: Cauciuc obișnuit (60245 IEC 53), PVC obișnuit (60227 IEC 53) sau PCP obișnuit (60245 IEC 57)
- În cazul în care cablul este deteriorat, pentru a evita pericolele, acesta trebuie înlocuit de către producător, de agentul său de service sau persoane calificate similare.

Pornirea produsului

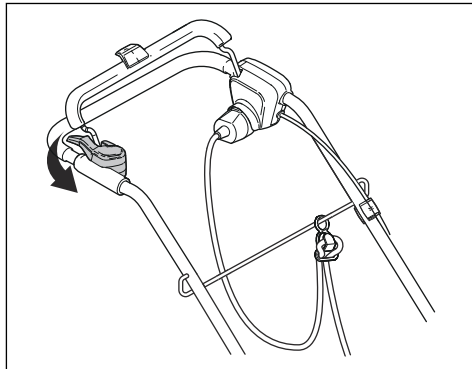
1. Conectați un cablu de alimentare la priza de sub mâner.



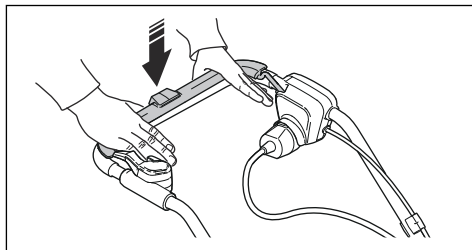
2. Puneți cablul de alimentare pe suportul cablului de alimentare. Consultați *Pentru a utiliza suportul cablului de alimentare (model LC 141C)* la pagina 569.



3. Stați în spatele produsului.
4. Slăbiți inhibitorul de pornire.

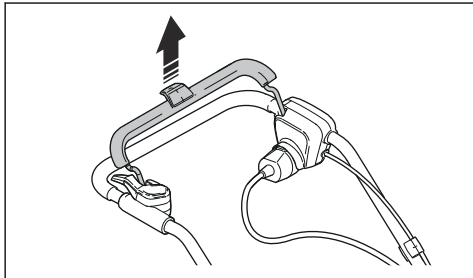


5. Împingeți maneta frânei de motor în direcția mânerului.

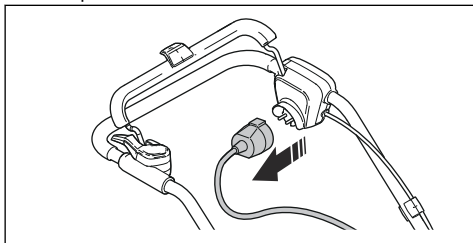


Oprirea produsului

1. Eliberați maneta frânei de motor pentru a opri motorul.



2. Deconectați cablul de alimentare de la priză și apoi de la produs.



ATENȚIE: Trageți de ștecher în afară. Nu trageți de cablul de alimentare.

Pentru a obține rezultate bune

- Utilizați întotdeauna o lamă ascuțită. O lamă tocită oferă rezultate neregulate, iar suprafața tăiată a ierbii se îngălbeniște. De asemenea, o lamă ascuțită folosește mai puțină energie decât o lamă tocită.
- Nu tăiați niciodată mai mult de 1/3 din lungimea ierbii. Inițial, tundeți cu o înălțime mare de tăiere. Verificați rezultatul și coborâți înălțimea de tăiere la un nivel convenabil. Dacă iarba este foarte înaltă, deplasați aparatul încet și tundeți de două ori, dacă este necesar.
- Tăiați de fiecare dată în altă direcție, pentru a preveni formarea de dungi pe gazon.

Întreținerea

Introducere



AVERTISMENT: Înainte de a efectua orice operații de întreținere, citiți și înțelegeți capitolul privind siguranța.

Toate lucrările de service și de reparații la produs necesită instruire specială. Garantăm disponibilitatea unor lucrări profesionale de reparații și service. Dacă distribuitorul dvs. nu este agent de service, solicitați

acestua informații cu privire la cel mai apropiat agent de service.

Program de întreținere

Intervalele de întreținere sunt calculate având în vedere o utilizare zilnică a produsului. Intervalele se modifică dacă produsul nu este utilizat zilnic.

Pentru operațiuni de întreținere identificate cu *, consultați *Dispozitivele de siguranță de pe produs la pagina 568.*

LC 141IV, LC 141i și LC 141C	La fiecare utiliza-re	Lunar	În fiecare sezon
Efectuați o inspecție generală.	X		
Curățați produsul.	X		
Verificați inhibitorul de pornire *.	X		
Asigurați-vă că dispozitivele de siguranță de pe produs nu sunt defecte *.	X		
Examinați echipamentul de tăiere.	X		
Examinați capacul de tăiere *.	X		
Verificați maneta frânei de motor *.	X		

Doar LC 141iV și LC 141i	La fiecare utilizare	Lunar	În fiecare sezon
Asigurați-vă că butonul de pornire/oprire funcționează corect și nu este defect.	X		
Verificați dacă bateria este deteriorată.	X		
Verificați nivelul de încărcare a bateriei.	X		
Asigurați-vă că butoanele de eliberare de pe baterie funcționează corect și că bateria este fixată în produs.	X		
Verificați dacă încărcătorul de baterii nu prezintă deteriorări și asigurați-vă că funcționează corect.		X	
Examinați conexiunile dintre baterie și produs. Examinați, de asemenea, conexiunea dintre baterie și încărcător.			X

Pentru a efectua o inspecție generală

- Asigurați-vă că șuruburile și piulițele produsului sunt strânse.
- Asigurați-vă că cablurile de pe produs nu sunt într-o poziție în care să poată fi deteriorate.

Curățarea produsului

- Curățați componentele din plastic cu o cârpă curată și uscată.
- Nu utilizați apă pentru a curăța produsul. Apa poate pătrunde în baterie sau în motor și poate provoca scurtcircuite sau poate avaria produsul.
- Nu utilizați o instalație de spălare cu presiune ridicată pentru a curăța produsul.
- Nu stropiți niciodată direct motorul cu apă.
- Folosiți o perie pentru a elimina frunzele, iarba și murdăria.

Pentru a curăța bateria și încărcătorul



ATENȚIE: Nu curățați niciodată bateria sau încărcătorul cu apă.

- Asigurați-vă că bateria și încărcătorul sunt curate și uscate înainte să introduceți bateria în încărcător.
- Curățați bornele bateriei cu aer comprimat sau cu o cârpă moale și uscată.
- Curățați suprafețele bateriei și încărcătorul cu o cârpă moale și uscată.

Pentru a examina echipamentul de tăiere



AVERTISMENT: Pentru modelele LC 141iV și LC 141i: Pentru a preveni pornirea accidentală, rotiți cheia de

siguranță la 0, scoateți bateria și așteptați cel puțin 5 secunde.

Pentru modelul LC 141C: Pentru a preveni pornirea accidentală, deconectați cablul de alimentare.



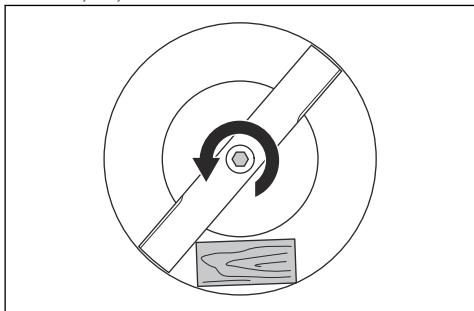
AVERTISMENT: Purtați mănuși de protecție când efectuați întreținerea echipamentului de tăiere. Cuțitul este foarte ascuțit și vă puteți tăia foarte ușor.

1. Examinați echipamentul de tăiere pentru a identifica eventuale deteriorări sau crăpături. Înlocuiți întotdeauna un echipament de tăiere deteriorat.
2. Observați cuțitul pentru a vedea dacă este deteriorat sau tocit.

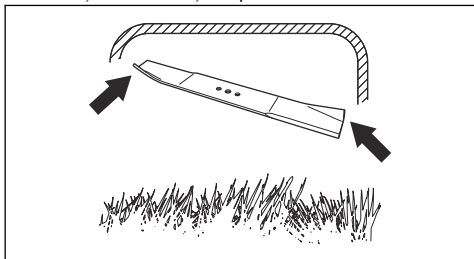
Nota: După ascuțirea cuțitului, acesta trebuie echilibrat. Solicitați unui centru de service să ascuțească, să monteze la loc și să echilibreze cuțitul. Dacă loviți un obstacol care determină produsul să se oprească, înlocuiți cuțitul deteriorat. Solicitați centrului de service să estimeze dacă lama poate fi ascuțită sau trebuie înlocuită.

Demontarea și înlocuirea cuțitului

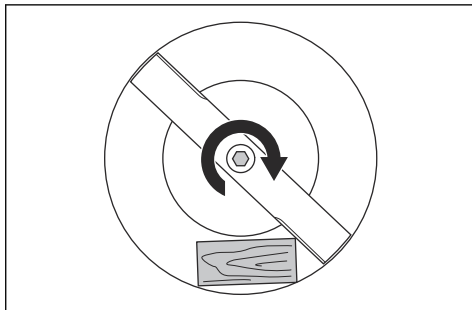
1. Blocați cuțitul cu o bucată de lemn.



2. Scoateți bolțul cuțitului.
3. Demontați cuțitul.
4. Examinați suportul cuțitului și bolțul acestuia pentru a vedea dacă există deteriorări.
5. Examinați arborele motorului, pentru a vă asigura că nu s-a îndoit.
6. Când montați un cuțit nou, îndreptați capetele oblice ale cuțitului în direcția capacului de tăiere.



7. Asigurați-vă că lama este aliniată cu centrul arborelui motorului.
8. Blocați cuțitul cu o bucată de lemn. Montați șaiba elastică și strângeți bolțul și șaiba la un cuplu cuprins de 20 Nm.



9. Învârtiți cuțitul cu mâna și asigurați-vă că se rotește liber.



AVERTISMENT: Purtați mănuși de protecție rezistente. Cuțitul este foarte ascuțit și vă puteți tăia foarte ușor.

10. Porniți produsul pentru a efectua un test al cuțitului. Dacă acesta nu este fixat corect, produsul vibrează sau rezultatele sunt nesatisfăcătoare.

Depanarea

Bateria

LED pe baterie	Cauză	Soluție
LED-ul verde se aprinde intermitent.	Tensiunea bateriei este joasă.	Încărcați bateria. Consultați <i>Încărcarea bateriei la pagina 576</i> .

LED pe baterie	Cauză	Soluție
LED-ul de eroare se aprinde intermitent.	Bateria este slabă.	Încărcați bateria. Consultați <i>Încărcarea bateriei la pagina 576</i> .
	Temperatura din mediul de lucru este prea mare sau prea mică.	Utilizați bateria la temperaturi între -10°C și 40°C.
	Supratensiune.	Asigurați-vă că tensiunea rețelei de alimentare este la fel cu cea indicată pe plăcuța de identificare de pe produs. Scoateți bateria din încărcător. Așteptați 5 secunde și încercați din nou să încărcați bateria. Dacă problema continuă, contactați un agent de service aprobat.
LED-ul de eroare este aprins.	Diferența dintre celule este prea mare (1 V).	Discutați cu un agent de service autorizat.

Încărcător pentru acumulator

LED-ul de pe încărcătorul de baterii	Cauză	Soluție
LED-ul de eroare se aprinde intermitent.	Temperatura din mediul de lucru este prea mare sau prea mică.	Utilizați încărcătorul de baterii la temperaturi între 5 °C și 40 °C.
LED-ul de eroare este aprins.		Discutați cu un agent de service autorizat.

Panoul de control

Pentru alte probleme decât cele prezentate în această secțiune, discutați cu agentul de service.

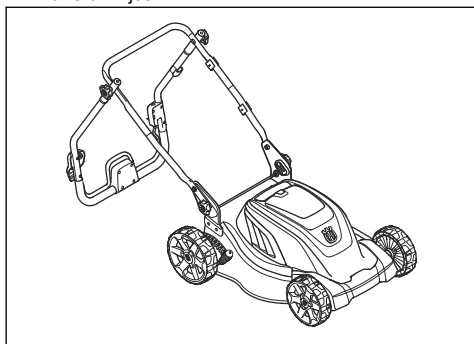
Tastatură	Erori posibile	Acțiune posibilă
LED-ul de eroare se aprinde intermitent	Motorul este supraîncărcat	Măriți înălțimea de tăiere. Consultați <i>Pentru a seta înălțimea de tăiere la pagina 576</i> .
	Turația motorului scade prea mult și motorul se oprește	
	Controlul motorului este prea fierbinte	Opriiți motorul și așteptați până când acesta se răcește
	Lama este blocată	Pentru a preveni pornirea accidentală, rotiți cheia de siguranță la 0, scoateți bateria și așteptați cel puțin 5 secunde. Asigurați-vă că cușitul se poate roti liber. Dacă problema persistă, discutați cu un agent de service autorizat
	Eroare la nivelul bateriei sau nu există semnal de la baterie	Instalați bateria corect în produs și examinați conectorul bateriei. Dacă LED de eroare de pe baterie se aprinde intermitent, consultați <i>Bateria la pagina 582</i> .

Tastatură	Erori posibile	A acțiune posibilă
Produsul se oprește	Bateriei este aproape descărcată	Încărcați bateria. Consultați <i>Încărcarea bateriei la pagina 576.</i>
	Defecțiuni la nivelul conectorului bateriei	Examinați conectorul bateriei

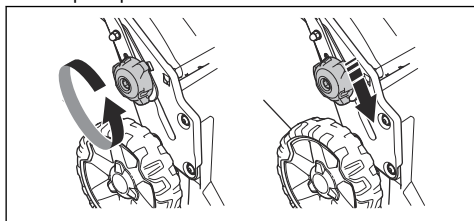
Transportul, depozitarea și eliminarea

Așezați produsul în poziția pentru transport

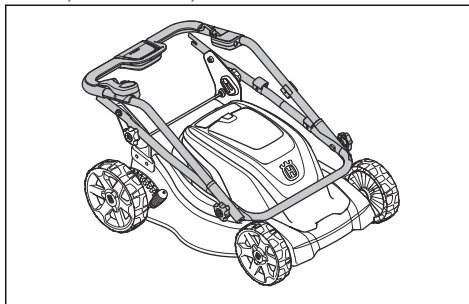
1. Scoateți colectorul de iarbă (dacă este montat).
2. Slăbiți butoanele de pe mânerul superior și pliați mânerul în jos.



3. Slăbiți butoanele inferioare.
4. Deplasați butoanele spre capătul inferior al canelurilor de pe partea stângă și de pe partea dreaptă a produsului.



5. Pliati mânerul în față.



Transportul

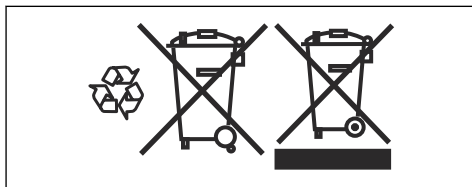
- Cerințele din legislația privind bunurile periculoase se aplică pentru bateriile Li-ion incluse.
- Pentru transporturile comerciale cerințele speciale de pe ambalaj și etichete trebuie respectate.
- Respectați cu atenție reglementările privind materialele periculoase atunci când pregătiți produsul pentru transport. Pot exista reglementări locale aplicabile.
- Înainte de transport scoateți întotdeauna bateria.
- Aplicați bandă pe bornele bateriei și asigurați-vă că aceasta nu se poate deplasa în timpul transportului.
- Fixați produsul în timpul transportului.

Depozitarea

- Înainte de depozitare scoateți întotdeauna bateria.
- Pentru a preveni accidentele, asigurați-vă că bateria nu este conectată la produs în timpul depozitării.
- Păstrați încărcătorul într-un spațiu închis și uscat.
- Păstrați bateria și încărcătorul de baterie într-un spațiu uscat unde nu pătrunde umezeala sau înghețul.
- Deconectați bateria de la încărcător în timpul depozitării.
- Nu depozitați bateria într-un loc unde poate apărea electricitatea statică. Nu depozitați bateria într-o cutie metalică.
- Păstrați bateria într-un loc unde temperatura este cuprinsă între 5 °C și 25 °C și departe de lumina soarelui.

- Păstrați încărcătorul de baterii într-un loc unde temperatura este cuprinsă între 5 °C și 45 °C și departe de lumina soarelui.
- Asigurați-vă că bateria este încărcată în proporție de 30 % - 50 % înainte de a o depozita pe o perioadă lungă.
- Păstrați produsul, bateria și încărcătorul de baterii într-un loc închis, la care nu au acces copiii și persoanele neavizate.
- Curățați produsul și efectuați un service complet înainte de a depozita produsul pentru o perioadă lungă de timp.

negativ potențial asupra mediului înconjurător și asupra persoanelor; în caz contrar, putând conduce la gestionarea incorectă a deșeurilor acestui produs. Pentru informații mai detaliate referitoare la reciclarea acestui produs, contactați autoritățile, serviciul pentru deșeurii menajere sau magazinul de unde ați achiziționat produsul.



Dezafectarea

Simbolurile de pe produs sau de pe ambalajul acestuia indică faptul că acest produs nu poate fi tratat ca deșeu menajer. Trebuie trimis la un centru de reciclare corespunzător pentru recuperarea echipamentelor electrice și electronice.

Asigurându-vă că aveți grijă de acest produs în mod corect, puteți contribui la neutralizarea impactului

Date tehnice

Date tehnice LC 141iV, LC 141i

	LC 141iV	LC 141i
Motor de tăiere		
Tip de motor	BLDC (fără perii) 36 V	BLDC (fără perii) 36 V
Turația motorului - SavE, rot/min	2700	2700
Turația motorului - Valoarea nominală, rot/min	3100	3100
Turația motorului - Sarcină ridicată, rot/min	3700	3700
Putere motor - Valoare max., kW	0,8	0,8
Putere motor - Valoare nominală, kW	0,55	0,55
Motorul de antrenare		
Putere motor - Valoare nominală, kW	0,25	Nu este cazul
Viteză de deplasare independentă, km/h	3 - 4,5	Nu este cazul
Nivelurile de reglare a vitezei	4	Nu este cazul
Greutate		
Greutate fără baterie, kg	21,5	18,6
Baterie ¹⁴¹		
Tip de baterie	Serie baterie Husqvarna	Serie baterie Husqvarna
Timp funcționare baterie		

¹⁴¹ Pentru performanță și rezultate optime, este recomandată bateria Husqvarna BLi200.

	LC 141IV	LC 141i
Durata de utilizare a bateriei, min, (funcționare liberă) cu funcția SavE activată, cu o baterie Husqvarna de 5,2 Ah (BLi200).	77	77
Durata de utilizare a bateriei, min, (funcționare liberă) cu modul standard activat, cu o baterie Husqvarna de 5,2 Ah (BLi200).	45	45
Emisii de zgomot ¹⁴²		
Nivel de putere acustică măsurat dB(A)	88	88
Nivel de putere acustică garantat L _{WA} dB(A)	89	89
Niveluri de zgomot ¹⁴³		
Nivel de presiune a sunetului la urechea operatorului, dB (A)	83	83
Niveluri de vibrații ¹⁴⁴		
Măner, m/s ²	2,0	2,0
Tăiere		
Înălțime de tăiere, mm	25-70	25-70
Lățime de tăiere, cm	41	41
Nr. catalog cuțit	Colectare - 5011716-01	Colectare - 5011716-01
Capacitate colector, litri	50	50

Baterii aprobate	Marcă	Tip	Capacitate baterie, Ah	Tensiune, V	Greutate, lb/kg
BLi10	Husqvarna	Litiu-ion	2,0	36	1,8/0,8
BLi100	Husqvarna	Litiu-ion	2,6	36	1,9/0,8
BLi20	Husqvarna	Litiu-ion	4,0	36	2,7/1,2
BLi200	Husqvarna	Litiu-ion	5,2	36	2,8/1,3
BLi300	Husqvarna	Litiu-ion	9,4	36	4,1/1,9

Încărcătoare aprobate pentru bateriile specificate,	Marcă	Tensiune de intrare, V	Frecvență, Hz	Putere, W
QC80	Husqvarna	100-240	50-60	80
QC80F	Husqvarna	12	0	80

¹⁴² Emisiile de zgomot în mediu măsurate ca putere acustică (L_{WA}) în conformitate cu directiva CE 2000/14/CE.

¹⁴³ Datele raportate pentru presiunea nivelului de zgomot prezintă o distribuție statistică tipică (abatere standard) de 1,2 dB(A).

¹⁴⁴ Datele raportate pentru nivelul de vibrații prezintă o dispersie statistică tipică (abatere standard) de 0,2 m/s².

Încărcătoare aprobate pentru bateriile specificate,	Marcă	Tensiune de intrare, V	Frecvență, Hz	Putere, W
QC250	Husqvarna	220-240	50	250
QC330	Husqvarna	100-240	50-60	330
QC500	Husqvarna	100-240	50-60	500

Date tehnice LC 141C

LC 141C	
Motor	
Tip de motor	Motor seria AC
Turația motorului - Valoarea nominală, rot/min	3200
Putere	1800 W
Sursă de alimentare	Electrică cu fir
Cablu de alimentare (inclus doar pentru piața din Marea Britanie)	
Tip de cablu	Cablu prelungitor de 16 m
Greutate, kg	1,6
Greutate	
Greutate, kg	20,4
Emisii de zgomot ¹⁴⁵	
Nivel de putere acustică măsurat dB(A)	93
Nivel de putere acustică garantat L _{WA} dB(A)	95
Niveluri de zgomot ¹⁴⁶	
Nivel de presiune a sunetului la urechea operatorului, dB (A)	85
Niveluri de vibrații ¹⁴⁷	
Mâner, m/s ²	2,0
Tăiere	
Înălțime de tăiere, mm	25-70
Lățime de tăiere, cm	41
Număr catalog cuțit	Colectare 5011716-01
Capacitate colector, litri	50

¹⁴⁵ Emisiile de zgomot în mediu măsurate ca putere acustică (L_{WA}) în conformitate cu directiva CE 2000/14/CE.

¹⁴⁶ Datele raportate pentru presiunea nivelului de zgomot prezintă o distribuție statistică tipică (abatere standard) de 1,4 dB (A).

¹⁴⁷ Datele raportate pentru nivelul de vibrații prezintă o dispersie statistică tipică (abatere standard) de 0,2 m/s².

Declarație de conformitate CE

Declarație de conformitate CE

Husqvarna AB, SE-561 82 Huskvarna, Suedia, tel.: +46-36-146500, declară că mașinile pentru tuns gazonul **Husqvarna LC 141iV și LC 141i** începând cu numărul de serie 2018XXXXXX și **Husqvarna LC 141C** începând cu numărul de serie 2015XXXXXX, respectă cerințele DIRECTIVEI CONSILIULUI:

- din 8 iunie 2011 privind „restricțiile de utilizare a anumitor substanțe periculoase” **2011/65/UE**
- din 17 mai 2006 „referitoare la utilaje” **2006/42/CE**
- din 26 februarie 2014 „referitoare la compatibilitatea electromagnetică” **2014/30/UE**
- din 8 mai 2000 „referitoare la emisiile de zgomot în mediul înconjurător” **2000/14/CE**

Pentru informații privind emisiile de zgomot, consultați secțiunea cu Date tehnice.

Următoarele standarde au fost aplicate pentru certificarea Husqvarna LC 141iV și LC 141i: **IEC 60335-2-77:2002, IEC 60335-1:2010+A1:2013, EN 55014-1:2017, EN 55014-2:2015, EN 61000-3-2:2014, EN 61000-3-3:2013, EN 62233:2008**

Următoarele standarde au fost aplicate pentru certificarea Husqvarna LC 141C: **EN 60335-1:2012+A11:2014, EN 60335-2-77:2010, EN 62233:2008, EN 55014-1:2017+A11, EN 55014-2:2015, EN 61000-3-2:2019, EN 61000-3-11:2019**

Organismul notificat: **0404, RISE SMP Svensk Maskinprovning AB, Box 7035, SE-750 07 Uppsala** a efectuat evaluarea conformității potrivit Anexei VI din Directiva 2000/14/CE.

Huskvarna, 2020-10-13



Claes Losdal, Director de Dezvoltare / Produse pentru grădină (reprezentant autorizat al Husqvarna AB și responsabil cu documentația tehnică.)

Содержание

Введение.....	589	Поиск и устранение неисправностей.....	613
Безопасность.....	593	Транспортировка, хранение и утилизация.....	615
Сборка.....	603	Технические данные.....	616
Эксплуатация.....	605	Декларация соответствия ЕС.....	620
Техническое обслуживание.....	611		

Введение

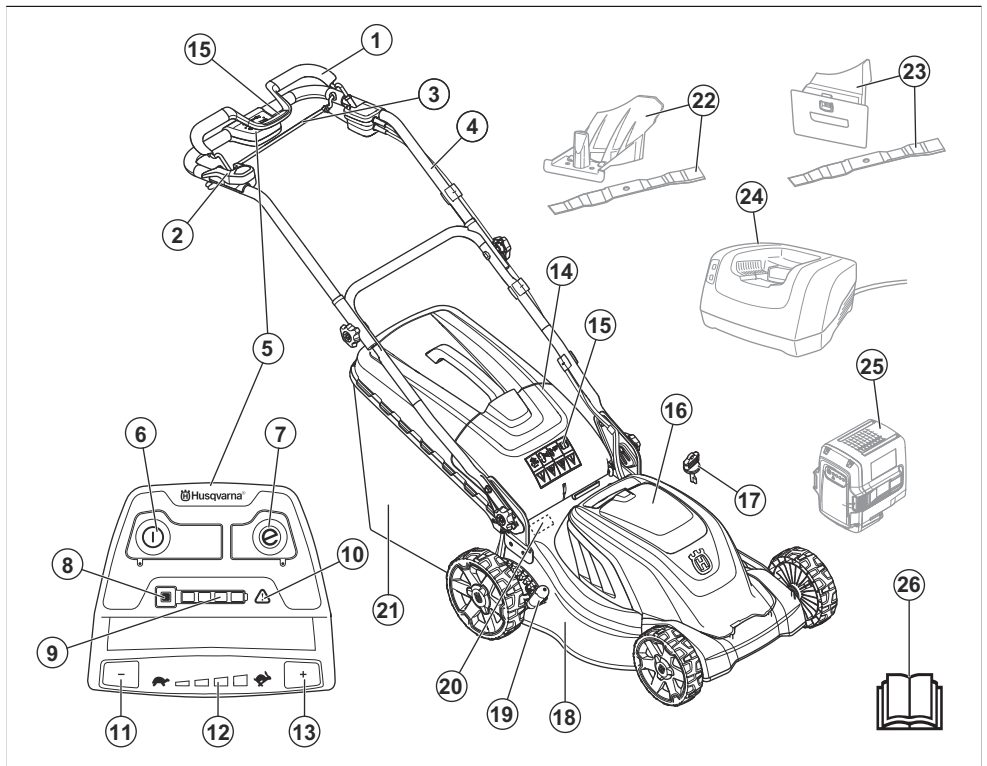
Описание изделия

Изделие представляет собой пешеходную роторную газонокосилку. Трава собирается в травосборник. Снимите травосборник, чтобы трава отбрасывалась назад. Установите комплект для мульчирования (дополнительная принадлежность), чтобы использовать скошенную траву в качестве удобрения.

Назначение

Используйте изделие для стрижки травы. Запрещается использовать изделие для других видов работ.

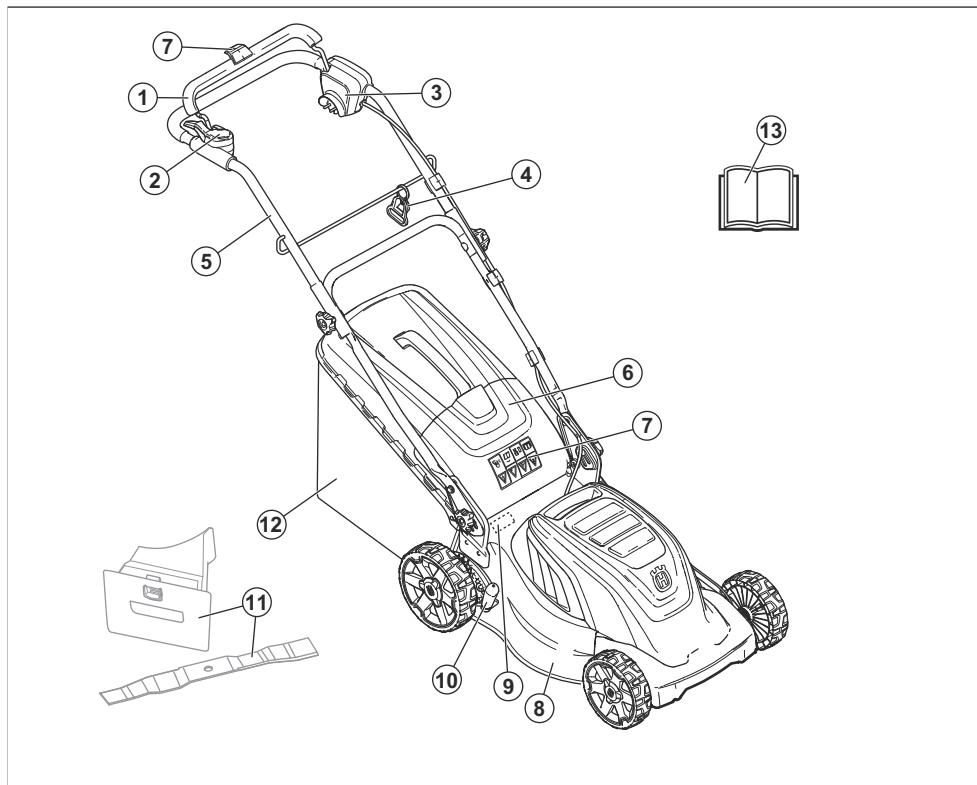
Обзор изделий LC 141iV / LC 141i



- | | |
|----------------------------|-----------------------------|
| 1. Ручка моторного тормоза | 3. Петля привода (LC 141iV) |
| 2. Ограничитель запуска | 4. Ручка |

5. Панель управления
6. Кнопка вкл./выкл.
7. Кнопка SavE
8. Кнопка-индикатор аккумулятора
9. Индикатор уровня заряда аккумулятора
10. Предупреждающий индикатор (Светодиодный индикатор ошибки)
11. Кнопка уменьшения скорости (LC 141iV)
12. Индикатор уровня скорости (LC 141iV)
13. Кнопка увеличения скорости (LC 141iV)
14. Задняя крышка
15. Условные обозначения
16. Крышка аккумулятора
17. Предохранительный ключ
18. Режущая дека
19. Рычаг регулировки высоты стрижки
20. Табличка данных
21. Травосборник
22. Комплект для мульчирования (принадлежность для LC 141iV)
23. Комплект для мульчирования (принадлежность для LC 141i)
24. Зарядное устройство аккумулятора (принадлежность)
25. Аккумулятор (принадлежность)
26. Руководство по эксплуатации

Обзор изделия LC 141C



1. Рукоятка моторного тормоза
2. Ограничитель запуска
3. Гнездо шнура питания
4. Держатель шнура питания
5. Рукоятка
6. Задняя крышка
7. Условные обозначения
8. Режущая дека
9. Табличка данных
10. Рычаг регулировки высоты стрижки
11. Пробка для мульчирования (принадлежность)
12. Травосборник
13. Руководство по эксплуатации

Условные обозначения на изделии



Небрежная или неправильная эксплуатация может привести к травме или смерти оператора или посторонних наблюдателей.



Перед началом работы с изделием прочитайте руководство по эксплуатации и убедитесь, что понимаете приведенные здесь инструкции.



Следите за тем, чтобы в зоне проведения работ не было посторонних людей или животных.



Берегитесь отскакивающих предметов и рикошетов.



Предупреждение: Не приближайте руки или ноги к вращающемуся ножу.



Предупреждение: Не приближайте руки или ноги к вращающимся частям.



Перед выполнением технического обслуживания изделия извлеките предохранительный ключ. (модель LC 141iV/LC 141i)



Перед выполнением технического обслуживания изделия отключите изделие от электрической сети. (модель LC 141C)

IPX1

IPX1 - изделие имеет защиту от вертикально падающих капель воды (модель LC 141iV/LC 141i)

IPX4

IPX4 - изделие имеет защиту от брызг воды с любого направления (модель LC 141C)



Не допускайте попадания изделия под дождь (модель LC 141iV/LC 141i)



Предупреждение: Запрещается при работе пересекать шнур питания, поскольку это может привести к поражению электрическим током

или повреждению изделия. (модель LC 141C)

CE Данное изделие отвечает требованиям соответствующих директив ЕС.



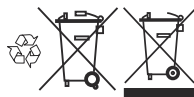
Эмиссия шума в окружающую среду согласно Директиве Европейского Сообщества. Звуковое излучение машины приведено в главе "Технические характеристики" и на табличке.



Постоянный ток. 36 В



Двойная изоляция.



После завершения срока службы изделие необходимо передать в пункт переработки электрического и электронного оборудования. (Только для Европы)



Процедура пуска для модели LC 141iV/ LC 141i: нажмите кнопку вкл./выкл., разблокируйте ограничитель запуска и опустите рукоятку моторного тормоза.



Процедура пуска для модели LC 141C: разблокируйте ограничитель запуска и опустите рукоятку моторного тормоза.



Для остановки опустите рукоятку моторного тормоза.



Медленно



Быстро



Сканируемый код

Примечание: Другие символы/наклейки на изделии относятся к специальным требованиям сертификации на определенных рынках.

Ответственность изготовителя

В соответствии с законами об ответственности изготовителя мы не несем ответственности за ущерб, вызванный эксплуатацией нашего изделия в результате:

- ненадлежащего ремонта изделия;
- использования для ремонта изделия неоригинальных деталей или деталей, не одобренных производителем;
- использования неоригинальных дополнительных принадлежностей или принадлежностей, не одобренных производителем;
- ремонта изделия в неавторизованном сервисном центре или неквалифицированным специалистом;

Безопасность

Инструкции по технике безопасности

Предупреждения, предостережения и примечания используются для выделения особо важных пунктов руководства.



ПРЕДУПРЕЖДЕНИЕ:

Используется, когда несоблюдение инструкций руководства может привести к травмам или смерти оператора или находящихся рядом посторонних лиц.



ВНИМАНИЕ: Используется, когда несоблюдение инструкций руководства может привести к повреждению изделия, других материалов или прилегающей территории.

Примечание: Используется для предоставления дополнительных сведений о конкретной ситуации.

Общие инструкции по технике безопасности



ПРЕДУПРЕЖДЕНИЕ: В обязательном порядке прочитайте следующие инструкции по технике безопасности, прежде

чем приступить к эксплуатации изделия.

- При небрежном или неправильном обращении изделие может оказаться опасным инструментом. Несоблюдение инструкций по технике безопасности может привести к травмам или смерти.
- Во время работы данное изделие создает электромагнитное поле. В определенных обстоятельствах это поле может создавать помехи для пассивных и активных медицинских имплантатов. В целях снижения риска серьезной или смертельной травмы лицам с медицинскими

имплантатами
рекомендуется
проконсультироваться с
врачом и изготовителем
имплантата, прежде чем
приступить к эксплуатации
данного изделия.

- Будьте всегда осторожны и руководствуйтесь здравым смыслом. Если вы не уверены, как правильно эксплуатировать изделие в определенной ситуации, прекратите работу и проконсультируйтесь со своим дилером Husqvarna, прежде чем продолжить.
- Помните: ответственность за аварии, угрожающие другим людям или их имуществу, несет оператор.
- Содержите изделие в чистоте. Следите за тем, чтобы знаки и наклейки были легко читаемыми.
- Ни в коем случае не позволяйте использовать оборудование детям или лицам, не ознакомившимся с данными инструкциями. Допустимый возраст пользователя может быть ограничен местным законодательством
- Не оставляйте без присмотра людей с

физическими или
умственными нарушениями,
использующих изделие. Они
должны постоянно
находиться под присмотром
взрослого.

- Ни в коем случае не используйте изделие, если вы устали, больны или находитесь под воздействием спиртного, наркотических веществ или лекарственных препаратов. Это может повлиять на ваше зрение, реакцию, координацию или оценку действительности.
- Запрещается использовать изделие, если оно повреждено.
- Запрещается вносить в изделие модификации или использовать изделие, если вы подозреваете, что в его конструкцию внесены изменения другими лицами.

Техника безопасности на рабочем месте



ПРЕДУПРЕЖДЕНИЕ: В обязательном порядке прочитайте следующие инструкции по технике безопасности, прежде чем приступить к эксплуатации изделия.

- Уберите ветви, сучья, камни и прочие посторонние предметы из рабочей зоны перед началом эксплуатации изделия.
- Предметы, ударяющиеся о режущий инструмент, могут быть отброшены, что приведет к травмам или повреждению имущества. Следите за тем, чтобы посторонние лица и животные находились на безопасном расстоянии от изделия.
- Ни в коем случае не используйте изделие при неблагоприятных погодных условиях, например, в туман, дождь, при сильном ветре, низких температурах и риске удара молнии. Эксплуатация изделия при плохих погодных условиях или на сырых участках утомительна. Плохие погодные условия могут создавать опасные условия для работы, например, скользкие поверхности.
- Следите за возможным появлением посторонних лиц, предметов или условий, которые могут препятствовать безопасной эксплуатации изделия.
- Следите за возможным появлением препятствий, таких как корни, камни, сучья, ямы или рвы. Высокая трава может скрывать препятствия.
- Стрижка травы на склоне может представлять опасность. Не выполняйте стрижку на особо крутых склонах. Запрещается использовать изделие на участках с уклоном более 15°
- При смене направления движения на склоне проявляйте повышенную осторожность. Используйте изделие поперек поверхности склона. Не передвигайтесь вверх и вниз по поверхности склона.
- Проявляйте особую осторожность при приближении к скрытым из видимости поворотам или предметам, которые могут затруднять обзор.

Техника безопасности



ПРЕДУПРЕЖДЕНИЕ: В обязательном порядке прочитайте следующие инструкции по технике безопасности, прежде

чем приступать к эксплуатации изделия.

- Изделие предназначено исключительно для скашивания травы на газонах. Запрещается использовать изделие не по назначению.
- Пользуйтесь средствами индивидуальной защиты. См. раздел *Средства индивидуальной защиты на стр. 597*.
- Убедитесь, что вы знаете, как быстро остановить двигатель в аварийной ситуации.
- Запрещается эксплуатировать изделие под дождем или в условиях высокой влажности. При попадании воды внутрь агрегата повышается риск поражения электрическим током.
- Ни в коем случае не используйте изделие с отсутствующими или неправильно установленными кожухами или ножом. Неправильно установленный нож может высвободиться и причинить травму.
- Следите за тем, чтобы в нож не попали посторонние

- предметы, например, камни и корни. Это может затупить нож и привести к искривлению вала двигателя. При сгибании оси увеличивается уровень вибрации, что может привести к снижению надежности крепления ножа.
- В случае столкновения ножа с посторонним предметом или возникновения вибрации незамедлительно остановите изделие. Остановите двигатель, поверните предохранительный ключ в положение "0" и снимите аккумулятор (модель LC 141iV и LC 141i) или отсоедините шнур питания (модель LC 141C). Проверьте изделие на наличие повреждений. Выполните ремонт повреждений или обратитесь в авторизованный сервисный центр для выполнения ремонта.
 - Во время работы двигателя не прижимайте рукоятку моторного тормоза к рукоятке агрегата на длительный период времени.

- При запуске изделие должно находиться на устойчивой, ровной поверхности. Убедитесь, что нож не касается грунта или любого другого предмета.
- При работе с изделием всегда стойте сзади.
- При работе с изделием все колеса должны стоять на земле; держите рукоятку обеими руками. Не приближайте руки или ноги к вращающимся ножам.
- Запрещается наклонять изделие во время работы двигателя.
- Соблюдайте осторожность, когда тянете изделие назад.
- Запрещается поднимать изделие во время работы двигателя. Если требуется поднять изделие, сначала остановите двигатель, поверните предохранительный ключ в положение "0" и снимите аккумулятор (модель LC 141iV и LC 141i) или отсоедините шнур питания (модель LC 141C).
- Запрещается двигаться назад при работе с изделием.
- Останавливайте двигатель при пересечении не покрытых травой зон, например, дорожек из гравия, камня или асфальта.
- Запрещается бегать с изделием во время работы двигателя. Работайте с изделием в спокойном темпе.
- Выключайте двигатель, прежде чем изменить высоту стрижки. Ни в коем случае не выполняйте регулировку при работающем двигателе.
- Ни в коем случае не выпускайте из вида изделие с работающим двигателем. Остановите двигатель и убедитесь, что режущее оборудование не вращается.

Инструкции по безопасности во время эксплуатации

Средства индивидуальной защиты



ПРЕДУПРЕЖДЕНИЕ: В обязательном порядке прочитайте следующие инструкции по технике безопасности, прежде чем приступать к эксплуатации изделия.

- Средства индивидуальной защиты не могут полностью исключить риск получения травмы, но при несчастном случае они снижают тяжесть травмы. За помощью по правильному выбору оборудования обращайтесь к дилеру.
- Используйте прочные, противоскользящие ботинки. Запрещается надевать открытую обувь или работать босиком.
- Надевайте прочные длинные брюки.
- При необходимости надевайте защитные перчатки, например, при закреплении, проверке или очистке режущего оборудования.

Защитные устройства на изделии



ПРЕДУПРЕЖДЕНИЕ: в обязательном порядке прочитайте следующие инструкции по технике безопасности, прежде чем приступить к эксплуатации изделия.

- Запрещается использовать изделие с неисправными защитными устройствами.
- Регулярно выполняйте проверку защитных устройств. Если защитные устройства неисправны, обратитесь в сервисный центр Husqvarna.

Проверка режущей деки

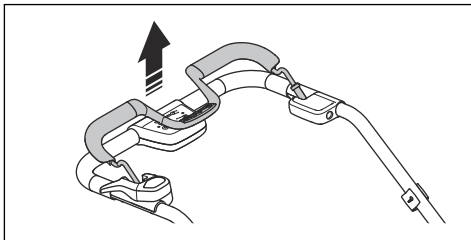
Режущая дека снижает уровень вибрации изделия и риск травмирования ножом.

- Проверьте режущую деку и убедитесь, что на ней отсутствуют повреждения, такие как трещины.

Рукоятка моторного тормоза

Рукоятка моторного тормоза предназначена для остановки двигателя. При отпуске рукоятки тормоза двигатель останавливается.

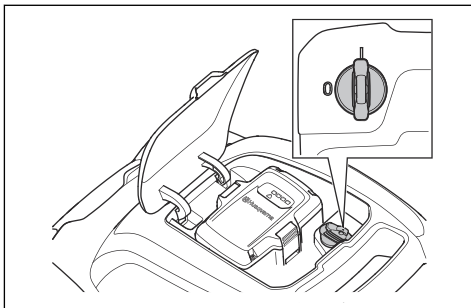
Чтобы проверить моторный тормоз, запустите двигатель, а затем отпустите рукоятку тормоза. Если двигатель не остановится через 3 секунды, обратитесь в авторизованный сервисный центр Husqvarna для регулировки моторного тормоза.



Предохранительный ключ (модели LC 141IV и LC 141I)

Предохранительный ключ расположен под крышкой аккумулятора. Он подключает аккумулятор, от которого на двигатель поступает питание.

- Чтобы проверить работу предохранительного ключа, запустите и остановите двигатель.
- Если ключ исправен, то двигатель запускается только при переводе ключа в положение "1".

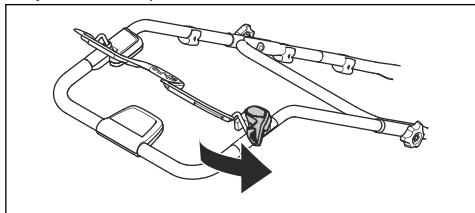


Проверка ограничителя запуска

Проверьте ограничитель запуска и убедитесь, что он блокирует работу двигателя.

1. Прижмите рукоятку моторного тормоза в направлении рукоятки агрегата. Ограничитель запуска остановит движение рукоятки.

2. Поверните ограничитель запуска в направлении, указанном стрелкой.

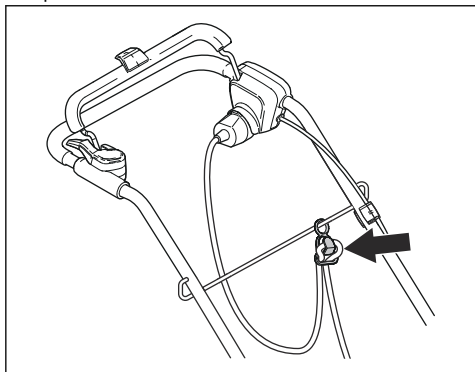


3. Разблокируйте ограничитель запуска и убедитесь, что он возвращается в исходное положение.

Использование держателя шнура питания (модель LC 141C)

Держатель шнура питания уменьшает нагрузку на гнездо и шнур питания. Кроме того, держатель шнура питания снижает риск вашего падения.

1. Сверните шнур питания в небольшую петлю.
2. Вставьте эту петлю в отверстие в держателе шнура питания.
3. Оберните петлю вокруг крюка.
4. Потяните шнур питания, чтобы затянуть петлю на крюке.



Техника безопасности при работе с аккумулятором



ПРЕДУПРЕЖДЕНИЕ: В обязательном порядке прочитайте следующие инструкции по технике безопасности, прежде

чем приступить к эксплуатации изделия.

- Используйте перезаряжаемые аккумуляторы Husqvarna только с теми изделиями Husqvarna, для которых они предназначены. Во избежание травм запрещается использовать аккумулятор в качестве источника питания других агрегатов.
- Запрещается использовать одноразовые аккумуляторы.
- Риск поражения электрическим током. Не допускайте соприкосновения клемм аккумулятора с ключами, монетами, винтами или другими металлическими предметами. Это может привести к короткому замыканию аккумулятора.
- Не размещайте посторонние предметы на воздухозаборниках аккумулятора.
- Аккумулятор не должен подвергаться воздействию солнечного света, тепла или открытого пламени. Аккумулятор может взорваться, став причиной

ожогов, в том числе химических.

- Защищайте аккумулятор от дождя и сырости.
- Не подвергайте аккумулятор воздействию микроволн и высокого давления.
- Не пытайтесь разбирать или ломать аккумулятор.
- При возникновении утечки из аккумулятора не допускайте попадания жидкости на кожу или в глаза. Если вы прикоснулись к жидкости, промойте участок контакта большим количеством воды и обратитесь за медицинской помощью.
- Используйте аккумулятор при температуре в диапазоне от -10°C до 40°C .
- Очистка аккумулятора или зарядного устройства водой запрещена. См. раздел *Очистка аккумулятора и зарядного устройства на стр. 612*.
- Запрещается использовать неисправный или поврежденный аккумулятор.
- Храните аккумуляторы вдали от металлических предметов, таких как гвозди, монеты или ювелирные изделия.

Техника безопасности при работе с зарядным устройством аккумулятора



ПРЕДУПРЕЖДЕНИЕ: В обязательном порядке прочитайте следующие инструкции по технике безопасности, прежде чем приступить к эксплуатации изделия.

- Для зарядки перезаряжаемых аккумуляторов Husqvarna используйте только зарядные устройства QC.
- Риск поражения электрическим током или короткого замыкания. Не размещайте посторонние предметы на воздухозаборниках зарядного устройства. Не пытайтесь разбирать зарядное устройство. Ни в коем случае не подключайте клеммы зарядного устройства к металлическим предметам. Используйте одобренные сетевые розетки.
- Во время работы данное изделие создает электромагнитное поле. В определенных

- обстоятельствах это поле может создавать помехи для пассивных и активных медицинских имплантатов. В целях снижения риска серьезной или смертельной травмы лицам с медицинскими имплантатами рекомендуется проконсультироваться с врачом и изготовителем имплантата, прежде чем приступить к эксплуатации данного изделия.
- Регулярно проверяйте кабель питания зарядного устройства на наличие повреждений или трещин.
 - Не поднимайте зарядное устройство за кабель питания. Для отсоединения зарядного устройства от сетевой розетки потяните за вилку. Не тяните за кабель питания.
 - Не допускайте контакта кабеля питания и удлинителя с водой, маслом или с острыми краями. Убедитесь, что кабель не передавлен дверью, калиткой и т.д. В противном случае зарядное устройство может оказаться под напряжением.
 - Запрещается чистить аккумулятор и зарядное устройство водой.
 - Дети старше 8 лет и лица с ограниченными физическими, сенсорными или умственными способностями или недостатком опыта и знаний могут использовать зарядное устройство только под надзором или в случае предоставления инструкций относительно безопасной эксплуатации оборудования и возможных рисков. Не позволяйте детям играть с зарядным устройством. Очистка и техническое обслуживание пользователем не должны проводиться детьми без надзора.
 - Не пытайтесь заряжать одноразовые аккумуляторные батареи в зарядном устройстве.
 - Запрещается использовать зарядное устройство вблизи легковоспламеняющихся материалов и материалов, которые вызывают коррозию. Не накрывайте зарядное устройство. Вытащите вилку зарядного устройства из розетки в

- случае появления дыма или огня.
- Запрещается использовать неисправное или поврежденное зарядное устройство.
 - Заряжайте аккумулятор только в хорошо проветриваемом помещении вдали от солнечных лучей. Запрещается заряжать аккумулятор в условиях высокой влажности.

Защитное устройство для шнура питания

Для модели LC 141C.

- При эксплуатации рекомендуется использовать устройство защитного отключения (УЗО) с током отключения не более 30 мА. Даже установка УЗО не полностью исключит все риски, поэтому следует всегда придерживаться правил техники безопасности. Проверяйте УЗО каждый раз при использовании.
- В случае повреждения шнура питания или изоляции следует незамедлительно отключить изделие от сети.
- Не касайтесь поврежденного или оборванного шнура, пока он не будет отключен от источника питания.

- Не выполняйте ремонт оборванного или поврежденного шнура. Замените его новым.

Инструкции по технике безопасности во время технического обслуживания



ПРЕДУПРЕЖДЕНИЕ: В обязательном порядке прочитайте следующие инструкции по технике безопасности, прежде чем приступить к эксплуатации изделия.

- Для модели LC 141iV, LC 141i: Во избежание случайного запуска во время обслуживания поверните предохранительный ключ в положение "0" и извлеките аккумулятор. Подождите не менее 5 секунд, прежде чем приступить к обслуживанию.
- Для модели LC 141C: Во избежание случайного запуска во время технического обслуживания отсоедините шнур питания.
- Чтобы продлить срок службы агрегата и снизить вероятность несчастных случаев, соблюдайте все требования к проведению обслуживания. Для проведения ремонта обратитесь в авторизованный сервисный центр. Для получения дополнительной

информации обратитесь в ближайшее представительство компании.

- Выполняйте техобслуживание строго в соответствии с инструкциями, приведенными в руководстве по эксплуатации. Более расширенное обслуживание выполняется авторизованной сервисной мастерской.
- При работе с режущим оборудованием используйте прочные перчатки. Нож очень острый, что при неосторожном обращении может легко привести к порезам.
- Для повышения качества и безопасности работы регулярно затачивайте и чистите режущие края инструмента.
- Регулярно обращайтесь в сервисный центр для проверки изделия и выполнения необходимой регулировки и ремонта.
- Замените поврежденные, сломанные или изношенные детали.
- Соблюдайте указания по замене принадлежностей. Пользуйтесь только оригинальными принадлежностями.
- Храните изделие, аккумулятор и зарядное устройство по отдельности в сухом помещении под замком. Не допускайте к изделию, аккумулятору и зарядному устройству детей и лиц, не имеющих соответствующего разрешения.

Сборка

Введение



ПРЕДУПРЕЖДЕНИЕ: Прежде чем выполнять сборку изделия, прочитайте раздел, посвященный технике безопасности.

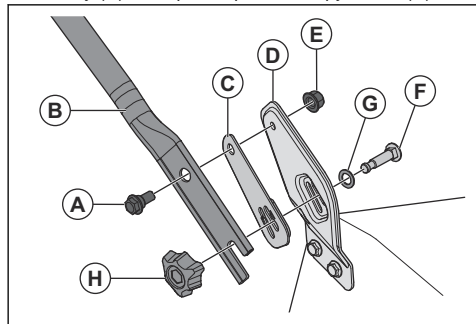
Для модели LC 141C: Во избежание случайного запуска во время сборки отсоедините шнур питания.



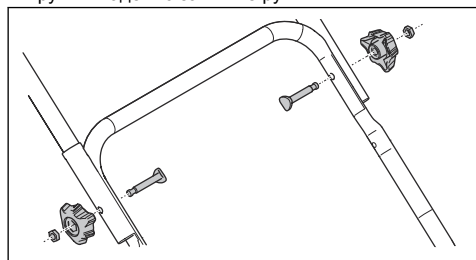
ПРЕДУПРЕЖДЕНИЕ: Для модели LC 141iV, LC 141i: Во избежание случайного запуска во время сборки переведите предохранительный ключ в положение "0", извлеките аккумулятор и подождите не менее 5 секунд.

Сборка рукоятки

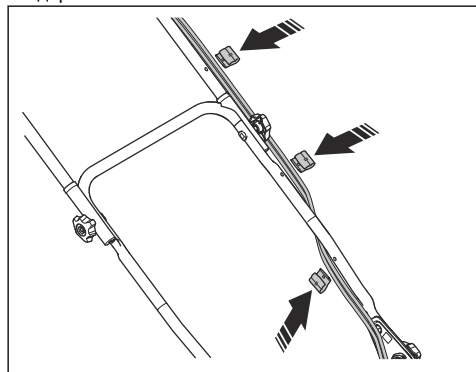
1. Вставьте винт (A) в рукоятку (B), пластмассовую шайбу (C) и опорный кронштейн рукоятки (D).



2. Полностью затяните гайку (E).
3. Вставьте винт (F) в шайбу (G) и опорный кронштейн рукоятки.
4. Полностью затяните ручку (H).
5. Совместите отверстия на рукоятке с отверстиями на нижней рукоятке и установите винты, шайбы и ручки. Надежно затяните ручки.



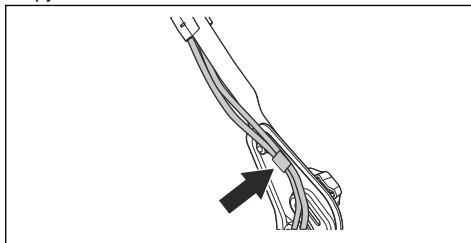
6. Закрепите кабели на рукоятке с помощью держателей.



Примечание: Убедитесь, что кабели не натянуты слишком сильно. Если кабель натянут слишком сильно, он может быть поврежден при

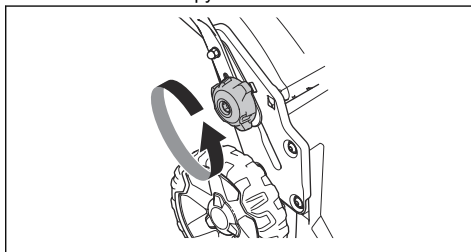
складывании рукоятки в положение для транспортировки.

7. Проложите кабели вокруг крюка в нижней части рукоятки.

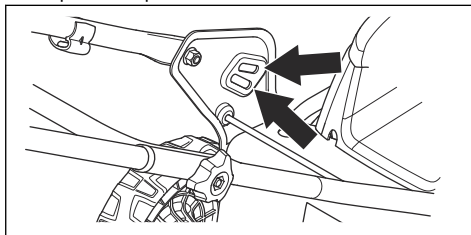


Регулировка высоты рукоятки

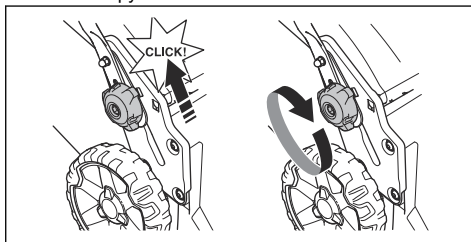
1. Ослабьте нижние ручки.



2. Снимите ручку, шайбу и винт с левой и с правой стороны.
3. Существует 2 положения высоты рукоятки. Установите винт в одно из 2 отверстий с левой и с правой стороны.

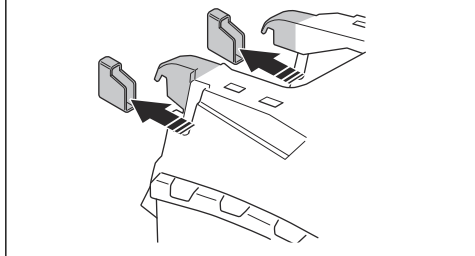


4. Установите винты, шайбы и ручки.
5. Переместите ручки вверх в направлении рукоятки до упора. Вы должны услышать щелчок. Надежно затяните ручки.

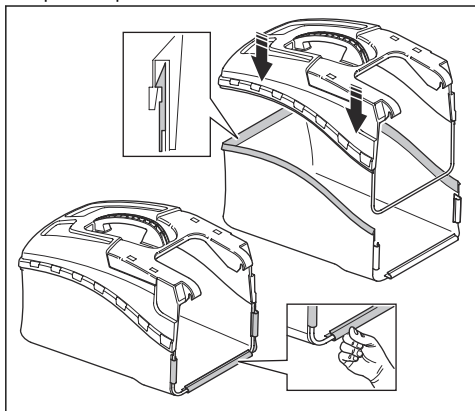


Установка травосборника

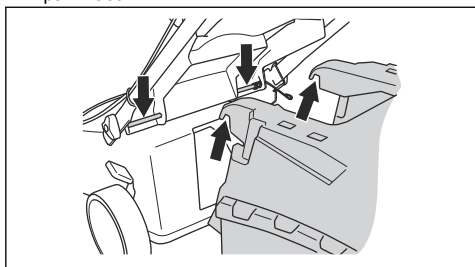
1. Выдавите 2 транспортировочные крышки наружу.



2. Установите верхнюю часть травосборника на его нижнюю часть. Зафиксируйте раму травосборника зажимами.

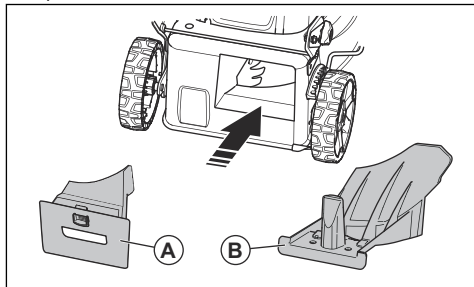


3. Поднимите заднюю крышку.
4. Установите захваты травосборника на верхний край шасси.



Установка комплекта для мульчирования

1. Поднимите заднюю крышку и снимите травосборник.
2. Вставьте пробку для мульчирования в канал для выброса травы. Пробка для мульчирования типа А предназначена для LC 141i и LC 141C. Тип В предназначен для LC 141iV.



3. Закройте заднюю крышку.
4. Замените нож ножом Combi, см. раздел *Снятие и замена ножа* на стр. 612.

Эксплуатация

Введение

внимательно изучить раздел безопасности.



ПРЕДУПРЕЖДЕНИЕ: Перед эксплуатацией прибора необходимо

Husqvarna Connect

Husqvarna Connect представляет собой бесплатное приложение для мобильного устройства. Приложение Husqvarna Connect позволяет пользоваться расширенными функциями вашего изделия Husqvarna:

- Дополнительная информация об изделии.
- Сведения о деталях и помощь в техническом обслуживании.

Как начать использовать Husqvarna Connect

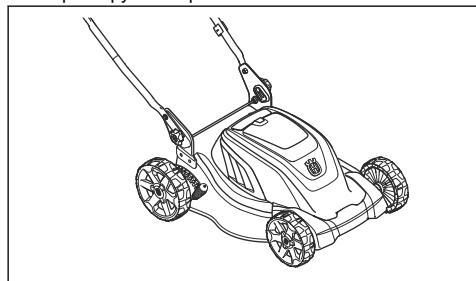
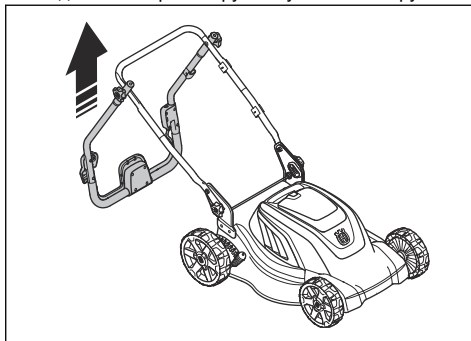
1. Загрузите приложение Husqvarna Connect на свое мобильное устройство.
2. Зарегистрируйтесь в приложении Husqvarna Connect.
3. Выполните пошаговые инструкции в приложении Husqvarna Connect для подключения и регистрации изделия.

Установка изделия в рабочее положение

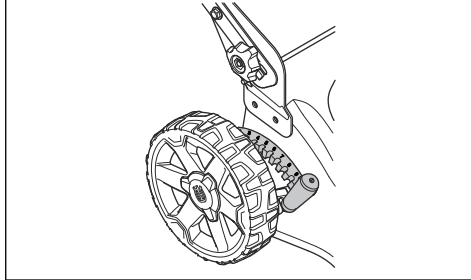
Если рукоятка установлена в положение для транспортировки или хранения (см. *Установка изделия в положение для транспортировки на стр. 615*), выполните следующее, чтобы перевести рукоятку в рабочее положение.

1. Поднимайте рукоятку, пока нижняя рукоятка не зафиксируется в рабочем положении.

4. Поднимите верхнюю рукоятку и затяните ручки.



2. Переместите нижние ручки вверх в направлении рукоятки до упора. Вы должны услышать щелчок.

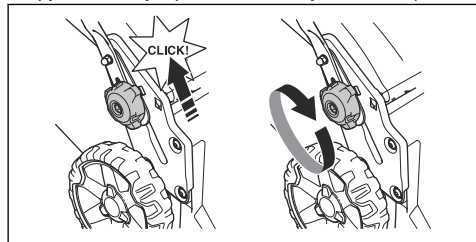


ВНИМАНИЕ: Не устанавливайте высоту стрижки слишком низко. Ножи могут удариться о землю, если поверхность газона неровная.

Аккумулятор



ПРЕДУПРЕЖДЕНИЕ: Перед эксплуатацией аккумулятора ознакомьтесь с разделом, посвященным безопасности, и усвойте его содержание. Прочтите и усвойте также все сведения, приведенные в руководстве по эксплуатации аккумулятора и зарядного устройства.

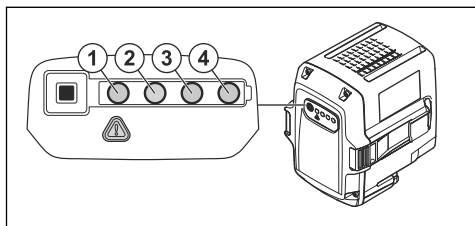


3. Затяните ручки.

Состояние аккумулятора

Дисплей отображает оставшуюся емкость аккумулятора и наличие в нем неисправностей. Емкость аккумулятора отображается на дисплее в течение 5 секунд после отключения агрегата или после нажатия кнопки-индикатора аккумулятора. Предупреждающий знак на аккумуляторе загорается

в случае возникновения ошибки. См. раздел *Аккумулятор на стр. 613.*



Светодиодные индикаторы	Состояние аккумулятора
Все светодиоды горят	Аккумулятор полностью заряжен (75-100 %).
Светодиоды 1, 2, 3 горят.	Заряд аккумулятора — 50-75 %.
Светодиоды 1, 2 горят.	Заряд аккумулятора — 25-50 %.
Светодиод 1 горит.	Заряд аккумулятора — 0-25 %.
Светодиод 1 мигает.	Аккумулятор разряжен. Зарядите аккумулятор.

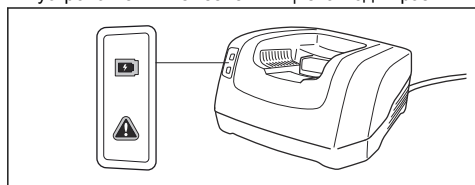
Зарядка аккумулятора

Зарядите аккумулятор перед первым использованием. Поставляемый аккумулятор заряжен только на 30%.

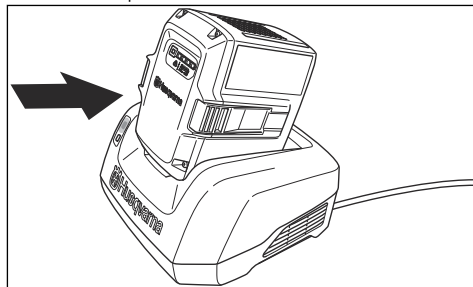
Примечание: Подсоединяйте зарядное устройство к сети питания с напряжением и частотой, указанными на паспортной табличке.

Зарядка не выполняется, если температура аккумулятора превышает 50°C. Прежде чем начать зарядку, зарядное устройство охлаждает аккумулятор до приемлемой температуры.

1. Вставьте один конец силового кабеля зарядного устройства в гнездо зарядного устройства.
2. Второй конец силового кабеля зарядного устройства вставьте в заземленную розетку сети электропитания. Светодиод на зарядном устройстве мигнет зеленым цветом один раз.



3. Вставьте аккумулятор в зарядное устройство. При правильном подключении аккумулятора к зарядному устройству загорается индикатор зеленого цвета.



4. Когда на аккумуляторе загорятся все светодиоды, это означает полную зарядку. Длительность зарядки аккумулятора не должна превышать 24 часа.
5. Чтобы отсоединить зарядное устройство от розетки, потяните не за кабель, а за штекер.
6. Извлеките аккумулятор из зарядного устройства.

Состояние зарядки аккумулятора

Литий-ионный аккумулятор Husqvarna можно заряжать и использовать при любом уровне зарядки. Это не приведет к повреждению аккумулятора. Полностью заряженный аккумулятор не разряжается, даже если оставить его в зарядном устройстве.

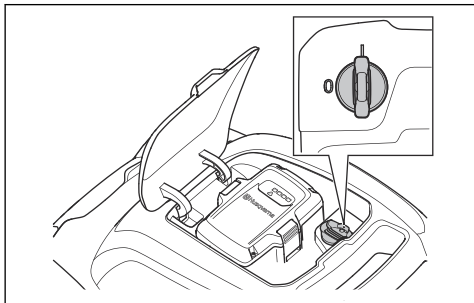
Светодиодный дисплей	Состояние процесса зарядки
Светодиод 1 мигает.	0%-25%
Светодиод 1 горит, светодиод 2 мигает.	25%-50%
Светодиоды 1, 2 горят, светодиод 3 мигает.	50%-75%
Светодиоды 1, 2, 3 горят, светодиод 4 мигает.	75%-100%
Горят светодиоды 1, 2, 3, 4	Полный уровень заряда

Эксплуатация LC 141iV и LC 141i

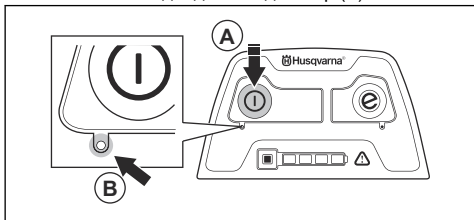
Запуск изделия

1. Вставьте заряженный аккумулятор в аккумуляторный отсек.

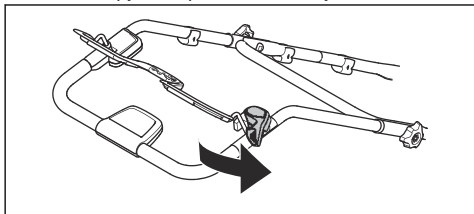
2. Переведите предохранительный ключ в положение "1".



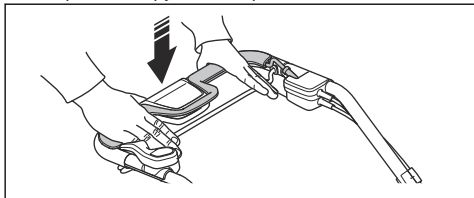
3. Стойте сзади изделия.
4. Нажмите кнопку вкл./выкл. (A) на панели управления, после чего должен загореться зеленый светодиодный индикатор (B).



5. Разблокируйте ограничитель запуска.

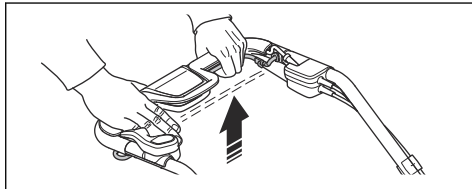


6. Прижмите рукоятку моторного тормоза в направлении рукоятки агрегата.

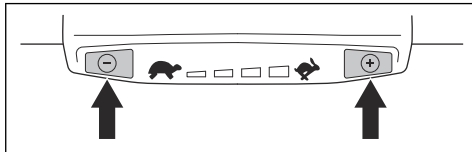


Использование привода колес

- Модель LC 141iV. Потяните петлю привода в направлении рукоятки, чтобы запустить привод.



- Нажмите на кнопки + и - на панели управления, чтобы выбрать одну из 4 скоростей.

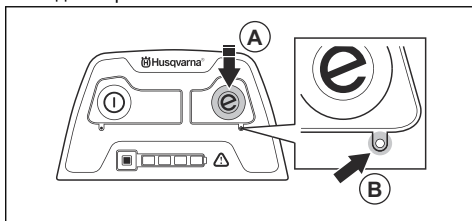


- Отпустите петлю привода, чтобы отключить привод, например, при приближении к препятствию.

Использование функции SavE

На агрегате предусмотрена функция экономии ресурса аккумулятора (SavE), которая продлевает время работы.

1. Чтобы включить эту функцию, нажмите кнопку SavE (A). Загорается зеленый светодиодный индикатор.



2. Чтобы отключить эту функцию, повторно нажмите кнопку SavE. Зеленый светодиодный индикатор (B) гаснет.

Функция SavE автоматически отключается в тех случаях, когда условия работы требуют более высокой мощности агрегата. Функция SavE автоматически включается при наличии соответствующих условий работы.

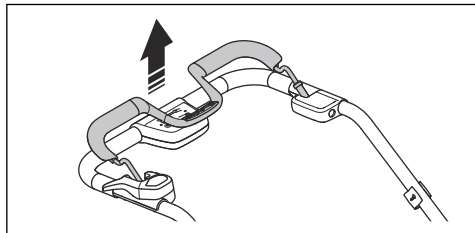
Функция высокой нагрузки

При стрижке высокой или влажной травы двигатель автоматически увеличивает число оборотов. Когда необходимость в высокой нагрузке отпадает, двигатель возвращается в стандартный режим работы.

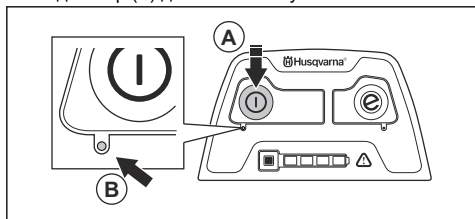
Остановка изделия

Если изделие не используется в течение 10 минут, оно автоматически выключается. Прежде чем оставить изделие без присмотра, обязательно переведите предохранительный ключ в положение "0".

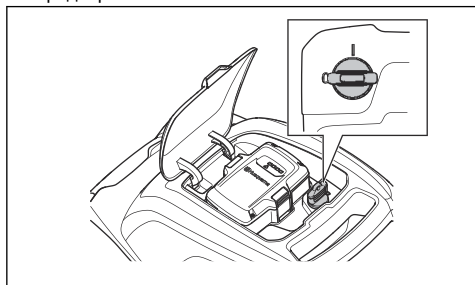
1. Отпустите рукоятку моторного тормоза, чтобы остановить двигатель.



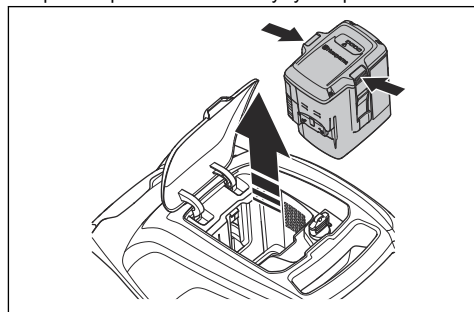
2. Нажмите кнопку вкл./выкл. (A) на панели управления, после чего зеленый светодиодный индикатор (B) должен погаснуть.



3. Откройте крышку аккумулятора и поверните предохранительный ключ в положение "0".



4. Чтобы извлечь аккумулятор, нажмите на 2 кнопки фиксатора и извлеките аккумулятор.



5. Зарядите аккумулятор с низким уровнем зарядки. Для получения дополнительных сведений см. раздел *Зарядка аккумулятора на стр. 607*.

Эксплуатация LC 141C

Для выбора подходящего кабеля (LC 141C)

Примечание: Для рынка Соединенного Королевства необходимо использовать только 16-метровый удлинительный кабель, поставляющийся в комплекте с изделием. Для всех других рынков смотрите информацию, приведенную ниже.

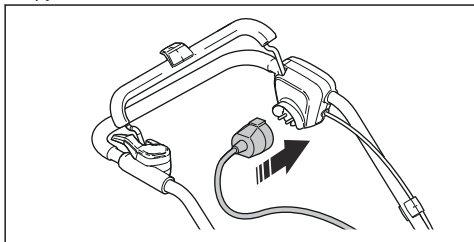
В случае использования удлинительных кабелей их поперечное сечение должно соответствовать указанному в таблице ниже минимуму:

Напряжение	Длина кабеля	Поперечное сечение
220-240 В / 50 Гц	До 20 м	1,5 мм ²
220-240 В / 50 Гц	20–50 м	2,5 мм ²

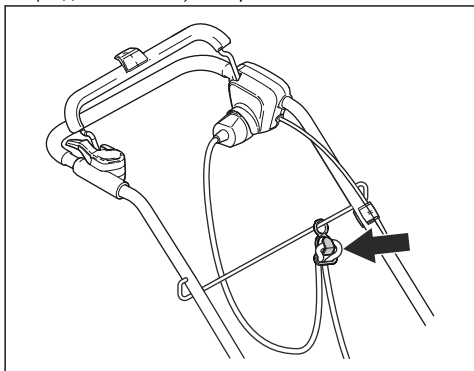
- Кабель питания и удлинительные кабели можно приобрести в ближайшем авторизованном сервисном центре Husqvarna.
- Используйте только удлинительные кабели, специально предназначенные для уличного использования и соответствующие одной из следующих спецификаций: Стандартная резина (60245 IEC 53), стандартный ПВХ (60227 IEC 53) или стандартный полихлоропропен (60245 IEC 57)
- В случае повреждения кабель должен быть заменен производителем, сервисным центром или другим персоналом аналогичной квалификации во избежание возникновения рисков.

Запуск изделия

1. Подключите шнур питания к гнезду под рукояткой.

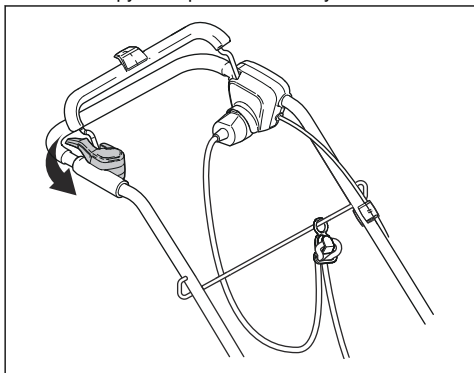


2. Поместите шнур питания в держатель. См. раздел *Использование держателя шнура питания (модель LC 141C)* на стр. 599.

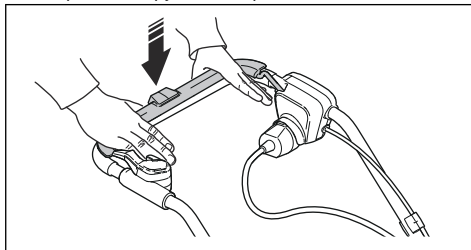


3. Стойте сзади изделия.

4. Разблокируйте ограничитель запуска.

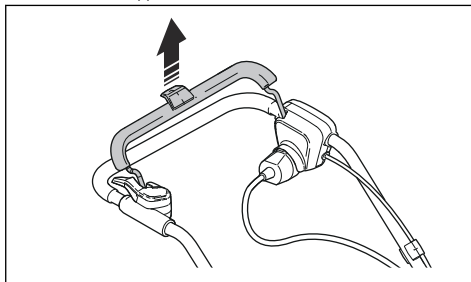


5. Прижмите рукоятку моторного тормоза в направлении рукоятки агрегата.

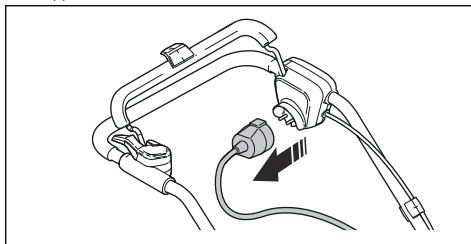


Остановка изделия

1. Отпустите рукоятку моторного тормоза, чтобы остановить двигатель.



2. Отсоедините шнур питания от сети, а затем от изделия.



ВНИМАНИЕ: Извлеките штекер по прямой. Не тяните за кабель питания.

Достижение оптимальных результатов

- Всегда пользуйтесь хорошо заточенным ножом. Затупившийся нож будет стричь траву неровно, и в месте среза трава будет желтеть. При использовании острого ножа также затрачивается меньше энергии, чем при работе с затупившимся ножом.

- Не срезайте более $\frac{1}{3}$ всей длины травы. Выполните первую стрижку на большей высоте. Проверьте полученный результат и уменьшите высоту стрижки до необходимого уровня. Если трава высокая, передвигайте газонокосилку медленно и, при необходимости, используйте газонокосилку 2 раза.
- Если вы хотите избежать образования полос на вашем газоне, следует каждый раз стричь его в разных направлениях.

Техническое обслуживание

Введение



ПРЕДУПРЕЖДЕНИЕ: Перед выполнением техобслуживания необходимо внимательно изучить и понять раздел безопасности.

Для выполнения любых работ по сервисному обслуживанию и ремонту изделия необходимо пройти специальное обучение. Мы гарантируем доступность услуг по профессиональному ремонту и сервисному обслуживанию. Если ваш дилер не занимается сервисным обслуживанием, обратитесь к

нему для получения информации о ближайшем сервисном центре.

График технического обслуживания

График технического обслуживания рассчитан исходя из ежедневного использования изделия. Если изделие не используется ежедневно, интервалы техобслуживания изменятся.

Сведения о техническом обслуживании, отмеченном знаком *, см. в разделе *Защитные устройства на изделии на стр. 598*.

LC 141IV, LC 141I и LC 141C	При каждом использовании	Ежемесячно	Каждый сезон
Выполните общий осмотр.	X		
Очистите изделие.	X		
Проверьте работу ограничителя запуска *.	X		
Убедитесь, что защитные устройства изделия исправны *.	X		
Проверьте режущее оборудование.	X		
Проверьте режущую деку *.	X		
Проверьте рукоятку моторного тормоза *.	X		

Только LC 141IV и LC 141I	При каждом использовании	Ежемесячно	Каждый сезон
Проверьте работу и состояние кнопки вкл./выкл.	X		
Проверьте аккумулятор на наличие повреждений.	X		
Проверьте уровень заряда аккумулятора.	X		
Проверьте работу кнопок фиксатора и надежность установки аккумулятора в изделии.	X		
Проверьте состояние и правильность работы зарядного устройства.		X	

Только LC 141iV и LC 141i	При каждом использовании	Ежемесячно	Каждый сезон
Проверьте соединения между аккумулятором и агрегатом. Проверьте также соединения между аккумулятором и зарядным устройством.			X

Выполнение общего осмотра

- Проверьте затяжку гаек и винтов на изделии.
- Убедитесь, что расположение кабелей не допускает возможности их повреждения.

Очистка изделия

- Очистите пластмассовые детали чистой и сухой тканью.
- Не используйте воду для очистки изделия от загрязнений. Попадание воды в аккумулятор или двигатель может вызвать короткое замыкание или повредить изделие.
- Не используйте моечный агрегат высокого давления для очистки изделия.
- Не направляйте струю воды непосредственно на двигатель.
- Используйте щетку для удаления листьев, травы и грязи.

Очистка аккумулятора и зарядного устройства



ВНИМАНИЕ: Очистка аккумулятора или зарядного устройства водой запрещена.

- Прежде чем устанавливать аккумулятор в зарядное устройство, убедитесь, что аккумулятор и зарядное устройство чистые и сухие.
- Используйте для очистки клемм аккумулятора сжатый воздух или мягкую и сухую ткань.
- Очистите поверхности аккумулятора и зарядного устройства мягкой и сухой тканью.

Проверка режущего оборудования



ПРЕДУПРЕЖДЕНИЕ: Для моделей LC 141iV и LC 141i: Во избежание случайного запуска переведите предохранительный ключ в положение "0", извлеките аккумулятор и подождите не менее 5 секунд.

Для модели LC 141C: Во избежание случайного запуска отсоедините шнур питания.



ПРЕДУПРЕЖДЕНИЕ:

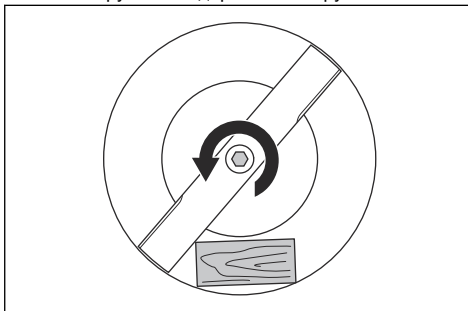
Надевайте защитные перчатки при техобслуживании режущего оборудования. Нож очень острый, что при неосторожном обращении может легко привести к порезам.

1. Проверьте режущее оборудование на наличие повреждений или трещин. Всегда заменяйте поврежденное режущее оборудование.
2. Осмотрите нож на наличие повреждений или следов притупления.

Примечание: После заточки ножа необходимо выполнить его балансировку. Обратитесь в сервисный центр для выполнения заточки, замены и балансировки ножа. При столкновении с препятствием, которое привело в остановку изделия, замените поврежденный нож. Сервисный центр должен определить, следует ли заточить нож или лучше его заменить.

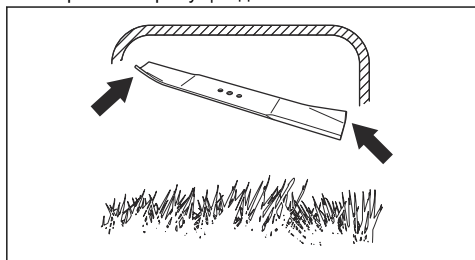
Снятие и замена ножа

1. Заблокируйте нож деревянным бруском.

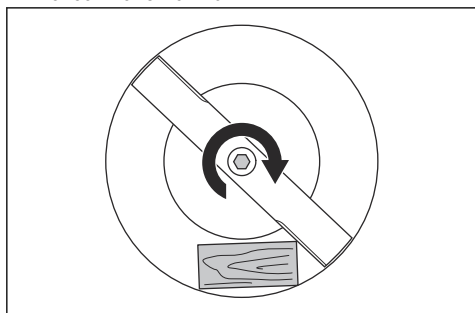


2. Снимите болт ножа.
3. Снимите нож.
4. Проверьте опору и болт ножа на наличие повреждений.
5. Осмотрите вал двигателя на наличие деформаций.

6. При установке нового ножа находящиеся под углом края должны быть обращены в направлении режущей деки.



7. Убедитесь, что нож выставлен по центру вала двигателя.
 8. Заблокируйте нож деревянным бруском. Установите пружинную шайбу и затяните болт с шайбой моментом 20 Нм.



9. Проверните нож рукой и убедитесь, что он свободно вращается.



ПРЕДУПРЕЖДЕНИЕ:

Используйте прочные перчатки. Нож очень острый, что при неосторожном обращении может легко привести к порезам.

10. Запустите изделие, чтобы проверить работу ножа. Если нож установлен неправильно, вы ощутите вибрацию изделия, или результат стрижки будет неудовлетворительным.

Поиск и устранение неисправностей

Аккумулятор

Светодиодный индикатор аккумулятора	Причина	Решение
Мигает зеленый светодиодный индикатор.	Низкое напряжение аккумулятора.	Зарядите аккумулятор. См. раздел <i>Зарядка аккумулятора на стр. 607.</i>

Светодиодный индикатор аккумулятора	Причина	Решение
Мигает светодиодный индикатор ошибки.	Слишком низкий заряд аккумулятора.	Зарядите аккумулятор. См. раздел <i>Зарядка аккумулятора на стр. 607.</i>
	Слишком высокая или слишком низкая температура окружающей среды.	Используйте аккумулятор при температуре в диапазоне от -10°C до 40°C.
	Перегрузка по напряжению.	Убедитесь, что напряжение в сети соответствует значению, указанному на паспортной табличке изделия. Извлеките аккумулятор из зарядного устройства. Подождите 5 секунд и снова попытайтесь зарядить аккумулятор. Если неисправность не устранена, обратитесь в авторизованный сервисный центр.
Горит светодиодный индикатор ошибки.	Слишком большая разница в напряжении элементов (1 В).	Обратитесь в авторизованный сервисный центр.

Зарядное устройство

Светодиод на зарядном устройстве аккумулятора	Причина	Решение
Мигает светодиодный индикатор ошибки.	Слишком высокая или слишком низкая температура окружающей среды.	Используйте зарядное устройство при температуре в диапазоне от 5°C до 40°C.
Горит светодиодный индикатор ошибки.		Обратитесь в авторизованный сервисный центр.

Панель управления

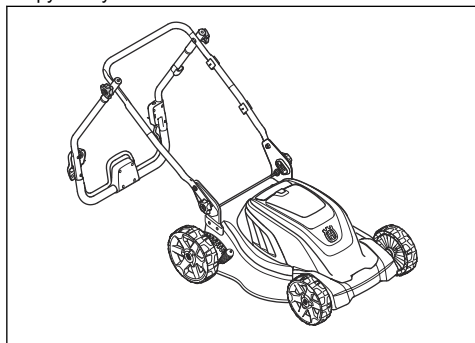
При возникновении неисправностей, не указанных в данном разделе, обратитесь в авторизованный сервисный центр.

Кнопочная панель	Возможные неисправности	Возможные действия
Мигает светодиод ошибки	Перегрузка двигателя	Увеличьте высоту стрижки. См. раздел <i>Регулировка высоты стрижки на стр. 606</i> .
	Слишком низкая частота вращения двигателя привела к остановке двигателя	
	Слишком высокая температура системы управления двигателем	Остановите двигатель и подождите, пока он остынет
	Нож заблокирован	Во избежание случайного запуска переведите предохранительный ключ в положение "0", извлеките аккумулятор и подождите не менее 5 секунд. Убедитесь, что нож свободно вращается. Если неисправность не устранена, обратитесь в авторизованный сервисный центр
Изделие останавливается	Ошибка аккумулятора или отсутствии сигнала от аккумулятора	Установите аккумулятор в агрегат надлежащим образом и проверьте разъем аккумулятора. Если на аккумуляторе мигает светодиод ошибки, см. раздел <i>Аккумулятор на стр. 613</i> .
	Слишком низкий заряд аккумулятора	Зарядите аккумулятор. См. раздел <i>Зарядка аккумулятора на стр. 607</i> .
	Неисправность разъема аккумулятора	Осмотрите разъем аккумулятора

Транспортировка, хранение и утилизация

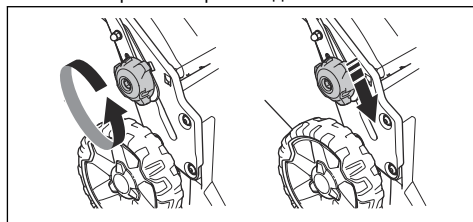
Установка изделия в положение для транспортировки

1. Снимите травосборник (при наличии).
2. Ослабьте ручки на верхней рукоятке и сложите рукоятку.

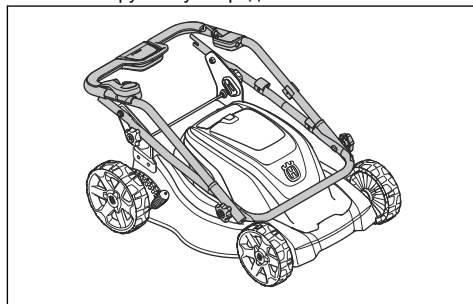


3. Ослабьте нижние ручки.

4. Переместите ручки в нижние положения в пазах с левой и правой стороны изделия.



5. Сложите рукоятку вперед.



Транспортировка

- На литий-ионные аккумуляторы в комплекте изделия распространяются требования, предъявляемые к опасным товарам.
- Соблюдайте специальные требования к перевозке коммерческим транспортом, указанные на упаковке и ярлыках.
- При подготовке изделия к транспортировке тщательно выполняйте все требования, предъявляемые к опасным веществам. Могут также применяться требования местного законодательства.
- Перед транспортировкой всегда извлекайте аккумулятор.
- Заклейте разъемы аккумулятора лентой и закрепите аккумулятор таким образом, чтобы во время транспортировки он не мог сместиться.
- Надежно закрепите изделие на время транспортировки.

Хранение

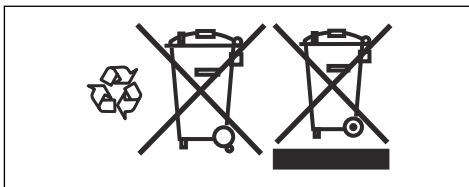
- Перед транспортировкой всегда извлекайте аккумулятор.
- Во избежание несчастных случаев при помещении изделия на хранение убедитесь, что в нем нет аккумулятора.
- Храните зарядное устройство в закрытом и сухом помещении.
- Храните аккумулятор и зарядное устройство в сухом отапливаемом помещении.
- Храните аккумулятор отдельно от зарядного устройства.
- Не допускается хранение аккумулятора в местах, где возможно возникновение статического электричества. Нельзя хранить аккумулятор в металлической коробке.
- Храните аккумулятор при температуре в пределах от 5°C до 25°C и не подвергайте воздействию прямых солнечных лучей.

- Храните зарядное устройство при температуре в пределах от 5°C до 45°C и не подвергайте воздействию прямых солнечных лучей.
- Перед помещением аккумулятора на длительное хранение убедитесь, что он заряжен до 30-50%.
- Храните изделие, аккумулятор и зарядное устройство в запечатом помещении, вне доступа детей и лиц, не имеющих соответствующего разрешения.
- Перед помещением изделия на длительное хранение очистите его от загрязнений и проведите полное обслуживание.

Утилизация

Обозначения на изделии или его упаковке указывают, что данное изделие не может быть утилизировано в качестве бытовых отходов. Оно должно быть передано в соответствующий пункт для переработки электрического и электронного оборудования.

Обеспечив надлежащую утилизацию данного изделия, вы сможете предотвратить потенциальное отрицательное влияние на окружающую среду и здоровье людей, которое иначе могло быть последствием неправильной утилизации. Более подробную информацию о переработке данного изделия получите в Городском управлении, у службы, занимающейся переработкой бытовых отходов либо в магазине, где вы приобрели изделие.



Технические данные

Технические данные LC 141iV, LC 141i

	LC 141iV	LC 141i
Мотор привода ножей		
Тип двигателя	Двигатель постоянного тока BLDC (бесщеточный), 36 В	Двигатель постоянного тока BLDC (бесщеточный), 36 В
Частота вращения двигателя - SavE, об/мин	2700	2700
Частота вращения двигателя - номинальная, об/мин	3100	3100

	LC 141iV	LC 141i
Частота вращения двигателя - высокая нагрузка, об/мин	3700	3700
Мощность двигателя – макс., кВт	0,8	0,8
Мощность двигателя – номинальная, кВт	0,55	0,55
Приводной мотор		
Мощность двигателя – номинальная, кВт	0,25	Нет данных
Скорость самостоятельного хода, км/ч	3,0–4,5	Нет данных
Уровни регулировки скорости	4	Нет данных
Масса		
Вес без аккумулятора, кг	21,5	18,6
Аккумулятор ¹⁴⁸		
Тип аккумулятора	Аккумуляторная серия Husqvarna	Аккумуляторная серия Husqvarna
Рабочий цикл аккумулятора		
Время непрерывной работы аккумулятора, минуты, (на холостом ходу) с включенной функцией SavE, с одним аккумулятором Husqvarna 5,2 А·ч (BLi200).	77	77
Время непрерывной работы аккумулятора, минуты, (на холостом ходу) в стандартном режиме, с одним аккумулятором Husqvarna 5,2 А·ч (BLi200).	45	45
Излучение шума ¹⁴⁹		
Уровень мощности звука, измеренный, дБ(А)	88	88
Уровень мощности звука, гарантированный L _{WA} , дБ(А)	89	89
Уровни шума ¹⁵⁰		
Уровень шумового давления на уши оператора, дБ(А)	83	83
Уровни вибрации ¹⁵¹		
На ручке, м/с ²	2,0	2,0
Стрижка		
Высота стрижки, мм	25-70	25-70
Ширина резки, см	41	41
Нож, артикул №	Collect - 5011716-01	Collect - 5011716-01

¹⁴⁸ Для достижения оптимальных результатов и надежной производительности рекомендуется использовать аккумулятор Husqvarna BLi200.

¹⁴⁹ Излучение шума в окружающую среду измеряется как мощность звука (L_{WA}) согласно директиве ЕС 2000/14/ЕС.

¹⁵⁰ Указанные данные об уровне шумового давления имеют типичный статистический разброс (стандартное отклонение) в 1,2 дБ (А).

¹⁵¹ Указанные данные об уровне вибрации имеют типичный статистический разброс (стандартное отклонение) 0,2 м/с².

	LC 141IV	LC 141i
Объем травосборника, л	50	50

Рекомендованные аккумуляторы	Марка	Тип	Емкость аккумулятора, А·ч	Напряжение, В	Масса, фунт / кг
BLi10	Husqvarna	Литий-ионный	2,0	36	1,8/0,8
BLi100	Husqvarna	Литий-ионный	2,6	36	1,9/0,8
BLi20	Husqvarna	Литий-ионный	4,0	36	2,7/1,2
BLi200	Husqvarna	Литий-ионный	5,2	36	2,8/1,3
BLi300	Husqvarna	Литий-ионный	9,4	36	4,1/1,9

Рекомендованные зарядные устройства для указанных аккумуляторов,	Марка	Входное напряжение, В	Частота, Гц	Мощность, Вт
QC80	Husqvarna	100-240	50-60	80
УРОВЕНЬ ЗАРЯДА	Husqvarna	12	0	80
QC250	Husqvarna	220-240	50	250
УРОВЕНЬ ЗАРЯДА	Husqvarna	100-240	50-60	330
QC500	Husqvarna	100-240	50-60	500

Технические данные LC 141C

	LC 141C
Электродвигатель	
Тип двигателя	Серия двигателя перемен. тока
Частота вращения двигателя - номинальная, об/мин	3200
Мощность	1800 Вт
Источник питания	Электрический, проводной
Кабель питания (входит в комплект только для рынка Соединенного Королевства)	
Тип кабеля	Удлинительный шнур 16 м
Вес, кг	1,6
Масса	
Масса, кг	20,4
Излучение шума ¹⁵²	

¹⁵² Излучение шума в окружающую среду измеряется как шумовой эффект (L_{WA}) согласно Директиве ЕС 2000/14/ЕС.

	LC 141C
Уровень мощности звука, измеренный, дБ(А)	93
Уровень мощности шума, гарантированный L_{WA} дБ (А)	95
Уровни шума ¹⁵³	
Уровень шумового давления на уши оператора, дБ(А)	85
Уровни вибрации ¹⁵⁴	
На ручке, m/s^2	2,0
Стрижка	
Высота реза, мм	25-70
Ширина реза, см	41
Нож, артикул №	Collect 5011716-01
Объем травосборника, л	50

¹⁵³ Указанные данные об уровне шумового давления имеют типичный статистический разброс (стандартное отклонение) в 1,4 дБ(А).

¹⁵⁴ Указанные данные об уровне вибрации имеют типичный статистический разброс (стандартное отклонение) 0,2 m/s^2 .

Декларация соответствия ЕС

Декларация соответствия ЕС

Husqvarna AB, SE-561 82 Huskvarna, Швеция, тел.: +46-36-146500, заявляет, что **газонокосилки Husqvarna LC 141iV и LC 141i** с серийными номерами 2018XXXXXXX и далее и **Husqvarna LC 141C** с серийными номерами 2015XXXXXXX соответствуют требованиям ДИРЕКТИВЫ СОВЕТА ЕС:

- от 8 июня 2011 года "об ограничении по использованию опасных веществ" **2011/65/EU**
- от 17 мая 2006 года "о машинах и механизмах" **2006/42/EC**
- от 26 февраля 2014 года "об электромагнитной совместимости" **2014/30/EU**
- от 8 мая 2000 года "об излучении шума в окружающую среду" **2000/14/EC**

Информацию об излучении шума см. в разделе "Технические данные".

При сертификации Husqvarna LC 141iV и LC 141i применялись следующие стандарты: **IEC 60335-2-77:2002, IEC 60335-1:2010+A1:2013, EN 55014-1:2017, EN 55014-2:2015, EN 61000-3-2:2014, EN 61000-3-3:2013, EN 62233:2008**

При сертификации Husqvarna LC 141C применялись следующие стандарты: **EN 60335-1:2012+A11:2014, EN 60335-2-77:2010, EN 62233:2008, EN 55014-1:2017+A11, EN 55014-2:2015, EN 61000-3-2:2019, EN 61000-3-11:2019**

Уполномоченная организация: **0404, RISE SMP Svensk Maskinprovning AB, Box 7035, SE-750 07 Uppsala** произвела оценку соответствия согласно приложению VI к Директиве 2000/14/ЕС.

Huskvarna, 2020-10-13



Клаес Лосдал (Claes Losdal), директор Отдела разработки/Садовая техника (Уполномоченный представитель Husqvarna AB и ответственный за техническую документацию)

141400, Московская обл., Г. Химки, ул. Ленинградская, владение 39, строение 6, здание II этаж 4, 8-800-200-1689

Obsah

Úvod.....	621	Riešenie problémov.....	641
Bezpečnosť.....	625	Preprava, skladovanie a likvidácia.....	643
Montáž.....	633	Technické údaje.....	644
Prevádzka.....	635	ES vyhlásenie o zhode.....	647
Údržba.....	639		

Úvod

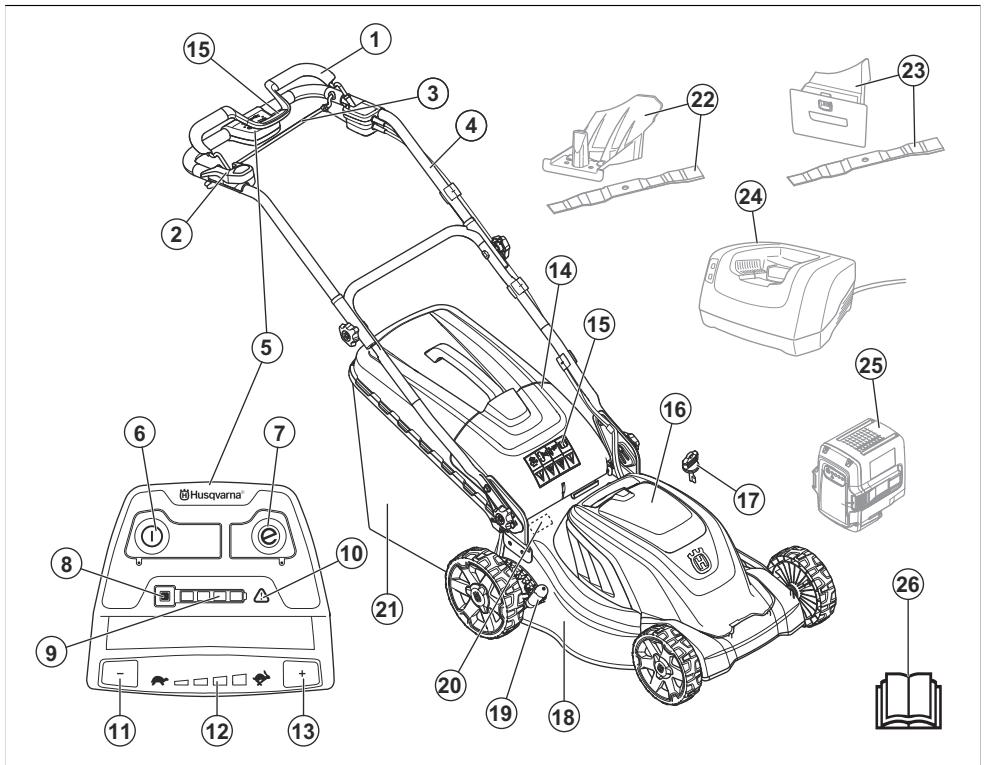
Popis výrobku

Tento výrobok je rotačná kosačka na trávu s chodiacou obsluhou. Tráva sa zhromažďuje do zberného koša. Na vyprázdnenie trávy zo zadnej časti odstráňte zberný kôš. Ak chcete trávu nasekať a použiť ako hnojivo, použite mulčovaciu súpravu (príslušenstvo).

Plánované použitie

Produkt používajte na kosenie trávy. Výrobok nepoužívajte na iné účely.

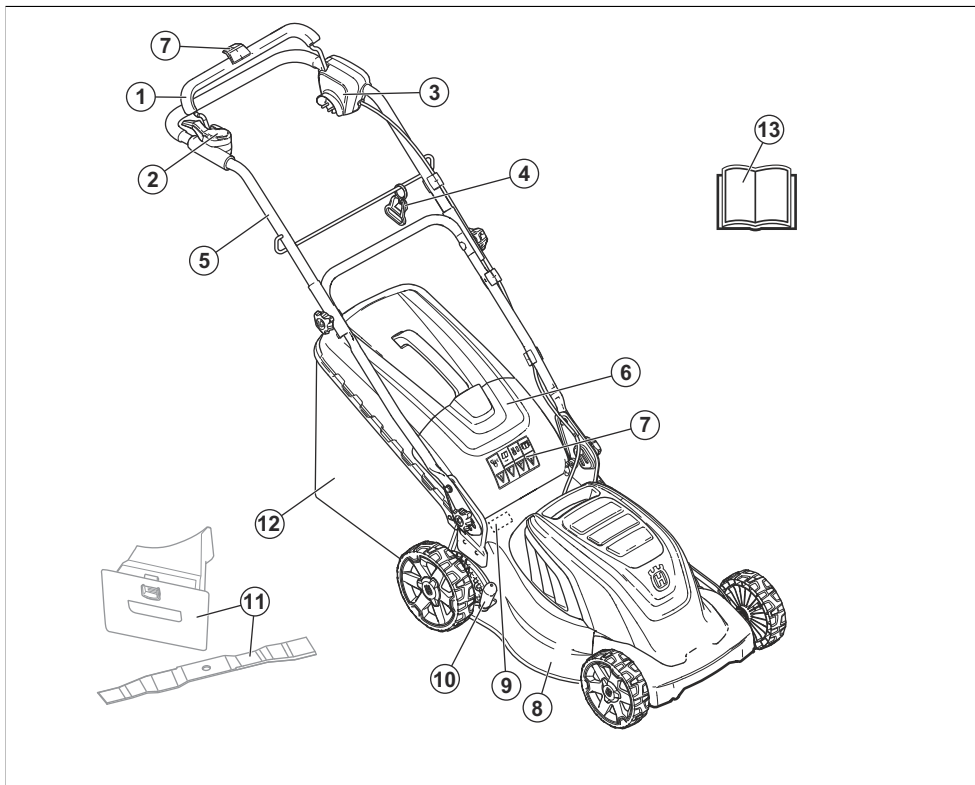
Prehľad výrobku LC 141iV/LC 141i



1. Rukoväť motorovej brzdy
2. Poistka naštartovania
3. Páka pohonu (LC 141iV)
4. Držadlo/rukoväť
5. Ovládaci panel
6. Vypínač
7. Tlačidlo SavE
8. Tlačidlo indikátora batérie
9. Ovládaci panel
10. Ovládaci panel
11. Ovládaci panel
12. Ovládaci panel
13. Ovládaci panel
14. Ovládaci panel
15. Ovládaci panel
16. Ovládaci panel
17. Ovládaci panel
18. Ovládaci panel
19. Ovládaci panel
20. Ovládaci panel
21. Ovládaci panel
22. Ovládaci panel
23. Ovládaci panel
24. Ovládaci panel
25. Ovládaci panel
26. Ovládaci panel

- | | |
|---|---|
| 9. Indikátor nabitia batérie | 18. Kryt rezacej časti |
| 10. Výstražný indikátor (CHYBOVÁ DIÓDA LED) | 19. Páka výšky rezu |
| 11. Tlačidlo zníženia rýchlosti (LC 141iV) | 20. Typový štítok |
| 12. Indikátor úrovne rýchlosti (LC 141iV) | 21. Zberný kôš |
| 13. Tlačidlo zvýšenia rýchlosti (LC 141iV) | 22. Mulčovacia súprava (príslušenstvo pre LC 141iV) |
| 14. Zadný kryt | 23. Mulčovacia súprava (príslušenstvo pre LC 141i) |
| 15. Symboly | 24. Nabíjačka batérií (príslušenstvo) |
| 16. Kryt batérie | 25. Batéria (príslušenstvo) |
| 17. Bezpečnostný kľúč | 26. Návod na obsluhu |

Prehľad výrobku LC 141C



- | | |
|--|----------------------|
| 1. Rukoväť motorovej brzdy | 12. Zberný kôš |
| 2. Poistka naštartovania | 13. Návod na obsluhu |
| 3. Zásuvka napájacieho kábla | |
| 4. Držiak napájacieho kábla | |
| 5. Držadlo/rukoväť | |
| 6. Zadný kryt | |
| 7. Symboly | |
| 8. Kryt rezacej časti | |
| 9. Typový štítok | |
| 10. Páka výšky rezu | |
| 11. Mulčovacia zarážka (príslušenstvo) | |

Symbyly na výrobku



V prípade neopatrného a nesprávneho použitia výrobku môže dôjsť k zraneniu alebo

usmrteniu obsluhy alebo osôb v okolí.



Pred používaním tohto výrobku si prečítajte návod na obsluhu a uistite sa, že porozumiete uvedeným pokynom.



Dbajte na to, aby osoby a zvieratá nevstupovali do pracovnej oblasti.



Dávajte pozor na vymrštené predmety a spätné nárazy.



Upozornenie:
Udržiavajte ruky a chodidlá mimo dosahu rotujúceho noža.



Upozornenie:
Udržiavajte ruky a chodidlá mimo dosahu rotujúcich častí.



Pred vykonaním údržby výrobku vytiahnite bezpečnostný kľúč. (model LC 141iV/ LC 141i)



Pred vykonávaním údržby odpojte výrobok od elektrickej zásuvky. (model LC 141C)

IPX1 IPX1 – výrobok je vybavený ochranou voči zvisle kvapkajúcej vode (model LC 141iV/ LC 141i)

IPX4 IPX4 – výrobok je vybavený ochranou voči striekajúcej vode (model LC 141C)



Dbajte na to, aby výrobok nezmokol na dažďi LC 141iV/LC 141i)




Upozornenie:
S výrobkom neprechádzajte cez napájací kábel, pretože môže dôjsť k úrazu elektrickým prúdom alebo poškodeniu výrobku. (model LC 141C)



Tento výrobok je v súlade s príslušnými smernicami ES.



Hlukové emisie do okolia sú v súlade so smernicou Európskeho spoločenstva. Emisie výrobku sú špecifikované v kapitole s technickými údajmi tohto návodu a na štítku.

 Jednosmerný prúd. 36V



Dvojitá izolácia.



Tento výrobok recyklujte v miestnom recyklačnom zariadení určenom pre elektrické a elektronické zariadenia. (Uplatňuje sa iba na Európu)

Postup štartovania modelu LC 141iV/
LC 141i: stlačte vypínač, uvoľnite poistku na štartovania, potlačte rukoväť motorovej brzdy nadol.



Postup štartovania modelu LC 141C: uvoľnite poistku na štartovania, potlačte rukoväť motorovej brzdy nadol.



Zastavte uvoľnením rukoväti motorovej brzdy.



Pomaly



Rýchlo



Snímateľný kód

Poznámka: Ostatné symboly/emblémy na výrobku odkazujú na zvláštne požiadavky certifikácie pre určité trhy.

Zodpovednosť za výrobok

V súlade s právnymi predpismi upravujúcimi zodpovednosť za výrobok nenesieme zodpovednosť za škody spôsobené našim výrobkom v dôsledku:

- nesprávne vykonanej opravy výrobku,
- opravy výrobku, pri ktorej neboli použité diely od výrobcu alebo diely schválené výrobcom,
- používania príslušenstva od iného výrobcu alebo príslušenstva, ktoré nie je schválené výrobcom,
- opravy výrobku, ktoré neboli vykonané v schválenom servisnom stredisku alebo schválenými kompetentnými osobami.

Bezpečnostné definície

Výstrahy, upozornenia a poznámky slúžia na zdôraznenie mimoriadne dôležitých častí návodu.



VÝSTRAHA: Používa sa, ak pre obsluhu alebo osoby v okolí existuje nebezpečenstvo poranenia alebo smrti v prípade nedodržania pokynov v návode.



VAROVANIE: Používa sa, ak hrozí nebezpečenstvo poškodenia produktu, iných materiálov alebo okolitej oblasti v prípade nedodržania pokynov v návode.

Poznámka: Používa sa na poskytnutie informácií nad rámec nevyhnutných informácií v danej situácii.

Všeobecné bezpečnostné pokyny



VÝSTRAHA: Skôr než budete výrobok používať, prečítajte si nasledujúce výstrahy.

- Tento výrobok je nebezpečný, ak sa nepoužíva správne alebo ak nie ste pri jeho používaní opatrní. V prípade nedodržania bezpečnostných pokynov hrozí poranenie alebo usmrtenie.
- Tento výrobok vytvára počas prevádzky elektromagnetické pole. Toto pole môže za určitých okolností spôsobiť rušenie aktívnych alebo pasívnych implantovaných lekárskeho prístrojov. Na zníženie rizika vážneho alebo smrteľného zranenia odporúčame, aby sa osoby s implantovanými lekárskeho prístrojmi poradili so svojím lekárom a výrobcom pomôcky ešte pred použitím tohto výrobku.
- Vždy zachovávajte opatrnosť a riadte sa zdravým úsudkom. Ak si v určitých situáciách nie ste istí, ako máte výrobok používať, výrobok nepoužívajte a pred pokračovaním v práci sa poraďte s predajcom spoločnosti Husqvarna.
- Myslite na to, že operátor bude zodpovedný za nehody zahŕňajúce iné osoby alebo ich majetok.
- Výrobok udržiavajte čistý. Uistite sa, že sú symboly a emblémy čitateľné.
- Nikdy nedovoľte používať zariadenie deťom ani osobám, ktoré sa neoboznámili s návodom na používanie. Miestne predpisy môžu obmedzovať vek používateľa
- Osoby so zníženými fyzickými alebo duševnými schopnosťami musia byť počas používania výrobku

- vždy pod dozorom. Vyžaduje sa neustála prítomnosť zodpovednej dospeljej osoby.
- Výrobok nepoužívajte, ak ste unavení, chorí alebo ste pod vplyvom alkoholu, drog alebo liekov. Vyššie uvedené prípady majú negatívny vplyv na váš zrak, ostražitosť, koordináciu a úsudok.
 - Výrobok nepoužívajte, ak je poškodený.
 - Výrobok žiadnym spôsobom neupravujte ani nepoužívajte, ak existuje možnosť, že bol upravený inými osobami.

Bezpečnosť na pracovisku



VÝSTRAHA: Skôr než budete výrobok používať, prečítajte si nasledujúce výstrahy.

- Pred používaním výrobku odstráňte z pracovnej oblasti všetky predmety, ako sú napr. konáre, vetvy a kamene.
- Predmety, ktoré narazia na rezné zariadenie, môžu byť vymrštené a spôsobiť poranenie osôb alebo poškodenie iných predmetov. Dávajte pozor, aby okolo stojace osoby a zvieratá nevstupovali do pracovnej oblasti.
- Výrobok nikdy nepoužívajte počas nepriaznivých poveternostných podmienok, napríklad v hmle, v daždi, v silnom vetre, v silnom mraze, pri vysokom riziku blýskania. Používanie výrobku počas nepriaznivých poveternostných podmienok alebo na vlhkých alebo mokrych miestach je namáhavé. Nepriaznivé poveternostné podmienky môžu mať za následok vznik nebezpečných podmienok, akými sú napr. klzké povrchy.
- Dávajte pozor na osoby, predmety a situácie, ktoré môžu zamedziť bezpečnej prevádzke výrobku.
- Dávajte pozor na prekážky, ako sú napr. korene, kamene, halúzky, jamy a priekopy. Vysoká tráva môže zakrývať prekážky.
- Kosenie trávy na svahoch môže byť nebezpečné. Nesnažte sa kosiť mimoriadne strmé svahy. Výrobok nepoužívajte na svahoch so sklonom viac ako 15°.
- Pri zmene smeru jazdy na svahoch dávajte mimoriadny pozor. S výrobkom sa pohybujte po vrstevnici. Nepohybujte sa smerom do svahu a zo svahu.

- V blízkosti skrytých rohov a objektov, ktoré vám bránia vo výhľade, sa pohybujte opatrne.

Bezpečnosť pri práci



VÝSTRAHA: Skôr než budete výrobok používať, prečítajte si nasledujúce výstrahy.

- Tento výrobok používajte len na kosenie trávy. Výrobok sa nesmie používať na iné úlohy.
- Používajte osobné ochranné pomôcky. Pozrite si časť *Osobné ochranné prostriedky na strane 628.*
- Naučte sa, ako v prípade núdze rýchlo zastaviť motor.
- Výrobok nepoužívajte na daždi alebo vlhkých miestach. V prípade preniknutia vody do výrobku sa zvyšuje riziko zásahu elektrickým prúdom.
- Výrobok nepoužívajte, pokiaľ nie sú nôž a všetky kryty správne upevnené. Nesprávne pripojený nôž sa môže uvoľniť a spôsobiť poranenia osôb.
- Uistite sa, že nôž nenarazí na predmety, ako sú napr. kamene alebo korene. Môže dôjsť k poškodeniu noža a ohnuti hriadeľa motora. Ohnutá náprava spôsobuje silné vibrácie a vzniká veľké nebezpečenstvo uvoľnenia noža.
- Ak nôž narazí na predmet alebo ak cítite vibrácie, výrobok okamžite vypnite. Zastavte motor, otočte bezpečnostný kľúč do polohy 0 a vyberte batériu (model LC 141iV a LC 141i) alebo odpojte napájací kábel (model LC 141C). Skontrolujte, či nie je výrobok poškodený. Opravte akékoľvek poškodenie alebo kontaktujte servisného zástupcu.
- Keď je naštartovaný motor, rukoväť motorovej brzdy nesmie byť nikdy trvalo pripevnená k rukoväti.
- Položte výrobok na stabilný, rovný povrch a naštartujte ho. Uistite sa, že sa nôž nedostane do kontaktu so zemou alebo inými predmetmi.
- Pri obsluhu vždy stojte za výrobkom.
- Pri obsluhu výrobku dávajte pozor, aby všetky kolesá dosadali na zem a rukoväť držte oboma rukami. Udržiavajte ruky a chodidlá mimo dosahu rotujúcich nožov.
- Keď je motor spustený, výrobok nenakláňajte.

- Pri ťahaní výrobku smerom dozadu buďte opatrní.
- Výrobok nikdy nedvíhajte, keď je spustený motor. Ak musíte výrobok zdvihnúť, najskôr zastavte motor, otočte bezpečnostný kľúč do polohy 0 a vyberte batériu (model LC 141iV a LC 141i) alebo odpojte napájací kábel (model LC 141C).
- Počas obsluhy výrobku necúvajte.
- Pri prechádzaní cez oblasti bez trávy, ako sú napr. štrkové, kamenné a asfaltové chodníky, vypnite motor.
- Keď je zapnutý motor, s výrobkom neutekajte. Počas obsluhy výrobku vždy kráčajte.
- Pred zmenou výšky rezu zastavte motor. Nikdy nevykonávajte nastavenia so spusteným motorom.
- Nikdy nenechávajte výrobok bez dozoru, keď je zapnutý motor. Zastavte motor a uistite sa, že sa rezné zariadenie neotáča.

Bezpečnostné pokyny pre prevádzku

Osobné ochranné prostriedky



VÝSTRAHA: Skôr než budete výrobok

používať, prečítajte si nasledujúce výstrahy.

- Osobné ochranné prostriedky nedokážu úplne vylúčiť riziko, ale môžu znížiť vážnosť zranenia v prípade nehody. Váš predajca vám pomôže pri výbere správnych prostriedkov.
- Noste odolné protišmykové topánky. Výrobok neobsluhujte v otvorených topánkach ani s bosými nohami.
- Noste dlhé odolné nohavice.
- Keď je to potrebné, používajte ochranné rukavice, ako napríklad pri montáži, kontrole alebo čistení rezného zariadenia.

Bezpečnostné zariadenia na výrobku



VÝSTRAHA: Skôr než budete produkt používať, prečítajte si nasledujúce výstrahy.

- Nepoužívajte produkt, ktorý má chybné bezpečnostné zariadenia.
- Pravidelne kontrolujte bezpečnostné zariadenia. Ak sú bezpečnostné zariadenia chybné, obráťte sa na servisného zástupcu spoločnosti Husqvarna.

Kontrola krytu rezacej časti

Kryt rezacej časti tlmi vibrácie vo výrobku a znižuje riziko poranenia kotúčom.

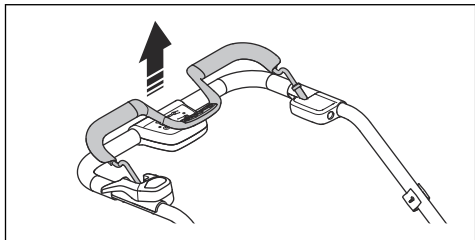
- Skontrolujte kryt rezacej časti, aby ste sa uistili, že na ňom nie sú žiadne známky poškodenia, ako sú napr. praskliny.

Rukoväť motorovej brzdy

Rukoväť motorovej brzdy slúži na zastavenie motora. Keď rukoväť motorovej brzdy uvoľníte, motor sa zastaví.

Ak chcete motorovú brzdú skontrolovať, naštartujte motor a potom uvoľníte rukoväť motorovej brzdy. Ak sa

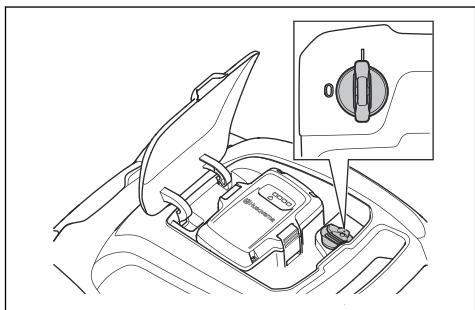
motor v priebehu 3 sekúnd nezastaví, požiadajte servisného zástupcu spoločnosti Husqvarna o nastavenie motorovej brzdy.



Bezpečnostný kľúč (modely LC 141IV a LC 141I)

Bezpečnostný kľúč sa nachádza pod krytom batérie. Bezpečnostný kľúč slúži na pripojenie batérie, ktorá napája motor.

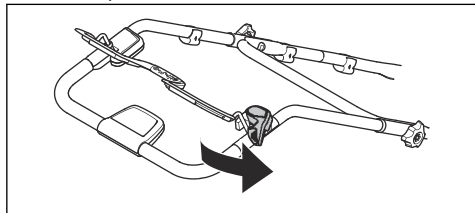
- Pred vykonaním kontroly bezpečnostného kľúča naštartujte a vypnite motor.
- Ak bezpečnostný kľúč funguje správne, motor sa spustí iba vtedy, keď je kľúč v polohe 1.



Kontrola poistky naštartovania

Skontrolujte poistku naštartovania, aby ste sa uistili, že zabraňuje prevádzke motora.

1. Potlačte páku pohonu smerom k hornej rukoväti. Poistka naštartovania zastaví pohyb.
2. Zatlačte poistku naštartovania smerom von.

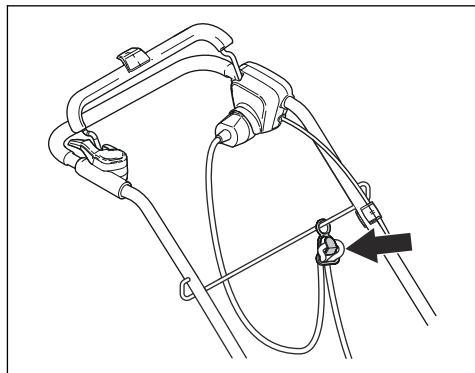


3. Uvoľnite poistku naštartovania a uistite sa, že sa vráti do svojej pôvodnej polohy.

Používanie držiaka napájacieho kábla (model LC 141C)

Držiak napájacieho kábla znižuje napätie pôsobiace na sieťovú zásuvku a napájací kábel. Držiak napájacieho kábla tiež znižuje riziko vášho pádu.

1. Ohnite napájací kábel a vytvorte malú slučku.
2. Vložte slučku do otvoru v držiaku napájacieho kábla.
3. Umiestnite slučku okolo háka.
4. Potiahnite napájací kábel, aby sa slučka utiahla okolo háka.



Bezpečnosť batérie



VÝSTRAHA: Skôr než budete výrobok používať, prečítajte si nasledujúce výstrahy.

- Ako napájací zdroj používajte nabíjateľné batérie Husqvarna len pre výrobky typu Husqvarna. V prípade iných zariadení nepoužívajte batériu ako zdroj napájania, aby ste zabránili riziku zranenia.
- Nepoužívajte nenabíjateľné batérie.
- Nebezpečenstvo zásahu elektrickým prúdom. Nepripájajte konektory batérie ku kľúčom, minciam, skrutkám

ani k iným kovovým predmetom. Môže dôjsť k skratu batérie.

- Do vetracích otvorov batérie nevkladajte žiadne predmety.
- Batériu nevystavuje priamemu slnečnému žiareniu, teplu ani otvorenému ohňu. Batéria môže vybuchnúť a spôsobiť popálenie alebo poleptanie.
- Batériu nevystavuje dažďu ani vlhku.
- Batériu nevystavuje mikrovlnnému žiareniu ani vysokému tlaku.
- Nepokúšajte sa rozoberať ani rozdrviť batériu.
- V prípade úniku kvapaliny z batérie zabráňte zasiahnutiu pokožky a očí kvapalinou. V prípade kontaktu s kvapalinou umyte zasiahnutú oblasť veľkým množstvom vody a vyhľadajte lekársku pomoc.
- Batériu používajte v prostredí, v ktorom sa teplota pohybuje od $-10\text{ }^{\circ}\text{C}$ do $40\text{ }^{\circ}\text{C}$.
- Batériu ani nabíjačku batérií nečistite vodou. Pozrite si časť *Čistenie batérie a nabíjačky batérií na strane 640*.
- Nepoužívajte chybnú ani poškodenú batériu.
- Batérie uchovávajte v bezpečnej vzdialenosti od

kovových predmetov, ako sú napr. klince, mince, šperky.

Bezpečnosť nabíjačky batérií



VÝSTRAHA: Skôr než budete výrobok používať, prečítajte si nasledujúce výstrahy.

- Na nabíjanie náhradných batérií Husqvarna používajte len nabíjačky batérií QC.
- Riziko zasiahnutia elektrickým prúdom alebo skratu. Do vetracích otvorov nabíjačky nevkladajte žiadne predmety. Nabíjačku batérií sa nepokúšajte rozoberať. Koncovky nabíjačky nikdy nepripájajte ku kovovým predmetom. Používajte schválenú elektrickú zásuvku.
- Tento výrobok vytvára počas prevádzky elektromagnetické pole. Toto pole môže za určitých okolností spôsobiť rušenie aktívnych alebo pasívnych implantovaných lekárskeho prístrojov. Zníženie rizika podmienok, ktoré môžu viesť k vážnemu alebo aj smrteľnému poraneniu, si vyžaduje, aby sa osoby s implantovanými pomôckami poradili so svojím lekárom a

výrobcom pomôcky ešte pred použitím tohto výrobku.

- Pravidelne kontrolujte, či napájací kábel nabíjačky batérií nie je poškodený a či na ňom nie sú praskliny.
- Nabíjačku batérií nedvíhajte za napájací kábel. Pri odpájaní nabíjačky batérií od sieťovej zásuvky ťahajte za zástrčku. Neťahajte za napájací kábel.
- Udržiavajte všetky napájacie káble a predlžovacie káble v bezpečnej vzdialenosti od vody, oleja a ostrých hrán. Ubezpečte sa, že kábel nie je privretý vo dverách, plotoch a podobne. Môže to spôsobiť, že nabíjačka bude pod napätím.
- Nabíjačku batérií nečistite vodou.
- Nabíjačku batérií smú používať deti od 8 rokov a osoby s obmedzenými fyzickými, zmyslovými alebo mentálnymi schopnosťami alebo s nedostatkom skúseností a vedomostí, pokiaľ sú pod dohľadom alebo boli poučené o bezpečnom používaní nabíjačky batérií a chápu súvisiace riziká. Deti sa nesmú s nabíjačkou batérií hrať. Deti nesmú vykonávať

čistenie ani údržbu zariadenia, ak nie sú pod dozorom.

- Nenabíjateľné batérie nenabíjajte v nabíjačke batérií.
- Nabíjačku batérií nepoužívajte v blízkosti horľavých materiálov alebo materiálov, ktoré spôsobujú koróziu. Nabíjačku batérií nezakrývajte. V prípade výskytu dymu alebo ohňa odpojte zástrčku nabíjačky batérií.
- Nepoužívajte chybnú alebo poškodenú nabíjačku batérií.
- Batériu nabíjajte len v interiéri na miestach s dobrým prúdením vzduchu a mimo slnečného svetla. Batériu nenabíjajte vo vlhkom prostredí.

Bezpečnosť pri používaní napájacieho kábla

Pre model LC 141C.

- Odporúča sa používať prúdový chránič (R.C.D.) s aktiváciou pri prúde, ktorý nepresahuje hodnotu 30 mA. Ani pri inštalácii prúdového chrániča (R.D.C.) nie je možné zaručiť 100 % bezpečnosť, a preto je nutné vždy dodržiavať bezpečné pracovné postupy. Pred každým používaním zariadenia skontrolujte prúdový chránič (R.C.D.).

- Výrobok okamžite odpojte od siete, ak je napájací kábel prerezaný alebo ak je poškodená jeho izolácia.
- Nedotýkajte sa prerezaného alebo poškodeného napájacieho kábla, kým ho neodpojíte od elektrickej siete.
- Prerezaný alebo poškodený napájací kábel neopravujte. Vymeňte ju za novú.

Bezpečnostné pokyny pre údržbu



VÝSTRAHA: Skôr než budete výrobok používať, prečítajte si nasledujúce výstrahy.

- Pre model LC 141iV, LC 141i: Otočte bezpečnostný kľúč do polohy 0 a vyberte batériu, aby ste zabránili náhodnému spusteniu počas údržby. Pred začiatkom údržby počkajte minimálne 5 sekúnd.
- Pre model LC 141C: Neúmyselnému spusteniu počas vykonávania údržby predídete odpojením napájacieho kábla.
- Správnym vykonaním údržby zvýšite životnosť výrobku a znížite nebezpečenstvo nehôd. Vykonanie odborných opráv zverte schválenému servisnému zástupcovi. Ďalšie informácie získate od najbližšieho servisného zástupcu.
- Vykonávajte len údržbu uvedenú v tomto návode na obsluhu. Náročnejšie práce musí vykonávať schválený servisný zástupca.
- Pri používaní rezného zariadenia používajte odolné rukavice. Nôž je veľmi ostrý a ľahko môže dôjsť k porezaniu.
- Rezné hrany udržiavajte ostré a čisté, aby ste dosiahli ten najlepší a najbezpečnejší výkon.
- Nechajte výrobok pravidelne prehliadnúť servisným zástupcom a vykonať na ňom potrebné nastavenia a opravy.
- Vymeňte všetky poškodené, opotrebované alebo zlomené diely.
- Pri výmene príslušenstva sa riadte pokynmi. Používajte iba príslušenstvo od daného výrobcu.
- Keď sa výrobok, batéria a nabíjačka batérií nepoužívajú, skladujte ich oddelene na suchom mieste uzamknuté v interiéri. Zaistite, aby sa k výrobku, batérii ani k nabíjačke batérií nedostali deti ani neoprávnené osoby.

Montáž

Úvod



VÝSTRAHA: Pred zostavením výrobku si prečítajte kapitolu o bezpečnosti.

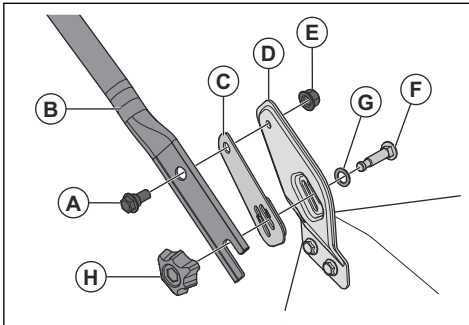


VÝSTRAHA: Pre model LC 141iV, LC 141i: Neúmyselnému spusteniu počas montáže predídete otočením bezpečnostného kľúča do polohy 0, vybratím batérie a dodržaním aspoň 5-sekundovej prestávky.

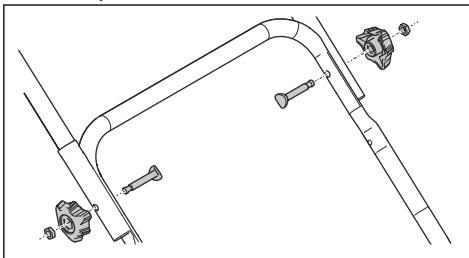
Pre model LC 141C: Neúmyselnému spusteniu počas montáže predídete odpojením napájacieho kábla.

Montáž rukoväti

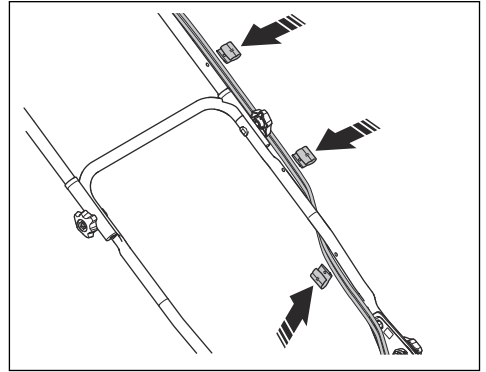
1. Zatláčte skrutku (A) cez rukoväť (B), plastovú podložku (C) a opornú podporu rukoväti (D).



2. Maticu (E) utiahnite na doraz.
3. Zatláčte skrutku (F) cez podložku (G) a opornú podporu rukoväti.
4. Gombík (H) utiahnite na doraz.
5. Zarovnajte otvory na rukoväti s otvormi na spodnej rukoväti a upevnite skrutky, podložky a gombíky. Gombíky utiahnite na doraz.

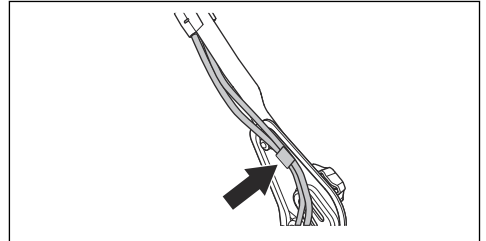


6. Pomocou držiakov na káble pripevnite káble k rukoväti.



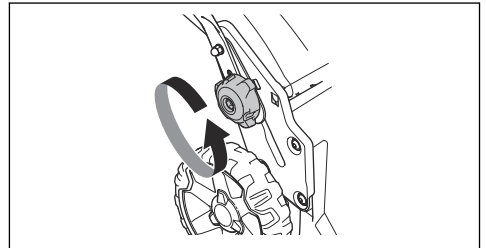
Poznámka: Uistite sa, že káble nie sú príliš napnuté. Nadmerné napnutie kábla môže pri skladaní rukoväti do transportnej polohy poškodiť kábel.

7. Umiestnite káble okolo háku v spodnej časti rukoväti.



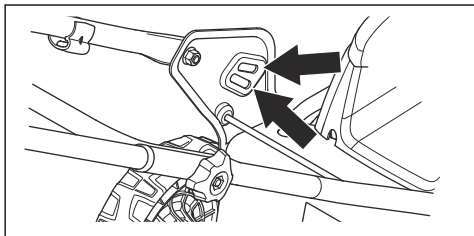
Nastavenie výšky držadla

1. Uvoľnite spodné gombíky.

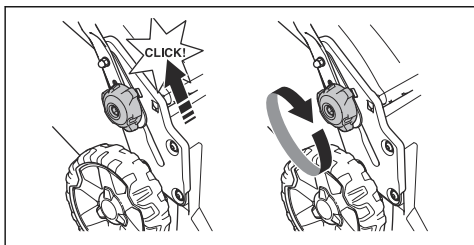


2. Odmontujte gombík, podložku a skrutku na ľavej a pravej strane.

3. Výšku rukoväti možno nastaviť do 2 polôh. Zasuňte skrutku do jedného z dvoch otvorov na ľavej a pravej strane.

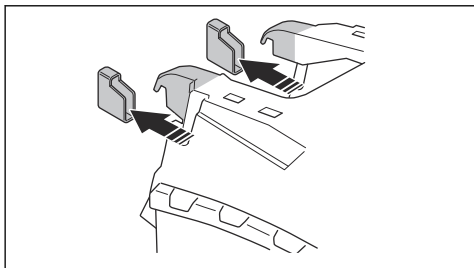


4. Upevnite skrutky, podložky a gombíky.
5. Posuňte gombíky nahor smerom k rukoväti, kým sa nezastavia a nebudete počuť kliknutie. Gombíky utiahnite na doraz.

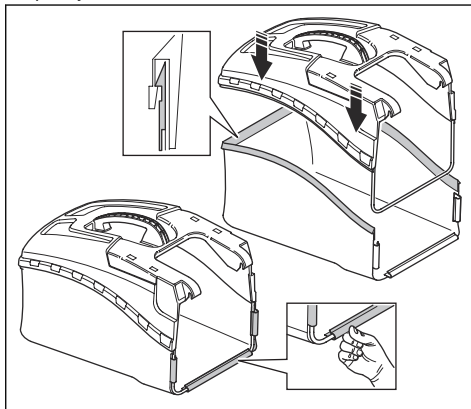


Zostavenie zberného koša

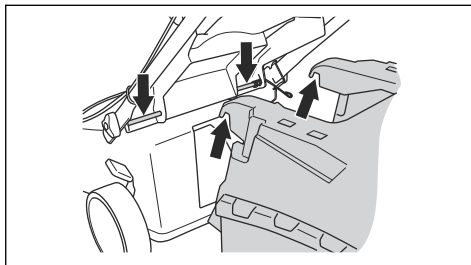
1. Vysuňte 2 prepravné kryty a zatlačte ich smerom nadol.



2. Vložte hornú časť zberného koša do spodnej časti zberného koša. Rám zberného koša upevnite príchytkami.

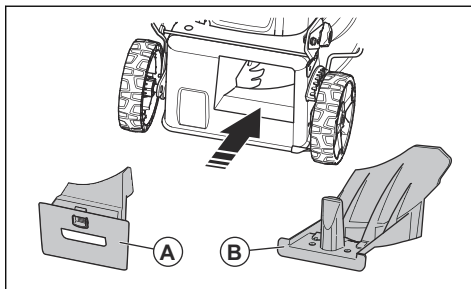


3. Nadvihnite zadný kryt.
4. Upevnite háčiky na zbernom koši na horný okraj rámu.



Zostavenie súpravy na mulčovanie

1. Nadvihnite zadný kryt a vyberte zberný kôš.
2. Do kanála na vyhadzovanie trávy vložte mulčovaciu zarážku. Mulčovacia zarážka typu A je určená pre modely LC 141i a LC 141C. Typ B je určený pre model LC 141iV.



3. Zatvorte zadný kryt.
4. Vymeňte čepeľ za kombinovanú čepeľ (pozrite si časť *Demontáž a výmena noža na strane 641*).

Prevádzka

Úvod



VÝSTRAHA: Pred používaním výrobku si musíte prečítať kapitolu o bezpečnosti a porozumieť informáciám, ktoré sa v nej uvádzajú.

Husqvarna Connect

Husqvarna Connect je bezplatná aplikácia pre mobilné zariadenia. Aplikácia Husqvarna Connect prináša rozšírené funkcie pre výrobok Husqvarna:

- Rozšírené informácie o výrobku.
- Informácie a podpora vzťahujúce sa na súčasti výrobku a servis.

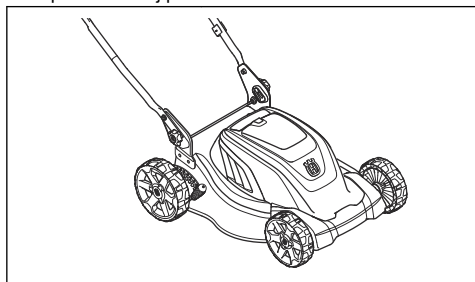
Ak chcete začať, použite Husqvarna Connect

1. Stiahnite si aplikáciu Husqvarna Connect do mobilného zariadenia.
2. Zaregistrujte sa v aplikácii Husqvarna Connect.
3. Ak chcete pripojiť a zaregistrovať produkt, postupujte podľa pokynov v aplikácii Husqvarna Connect.

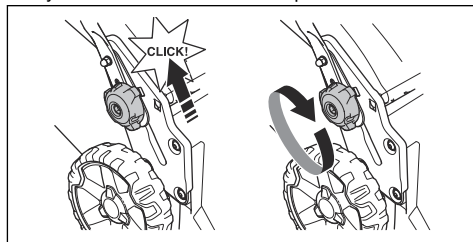
Nastavenie výrobku do prevádzkovej polohy

Ak je rukoväť v transportnej polohe alebo v polohe uskladnenia (pozrite si časť *Nastavenie výrobku do transportnej polohy na strane 643*), postupujte podľa nasledujúcich krokov na presunutie rukoväte do prevádzkovej polohy.

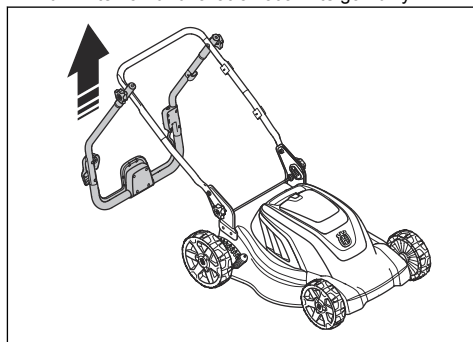
1. Dvíhajte rukoväť, kým sa jej spodná časť nezaistí v prevádzkovej polohe.



2. Posuňte spodné gombíky nahor smerom k rukoväti, kým sa nezastavia a nebudete počuť kliknutie.

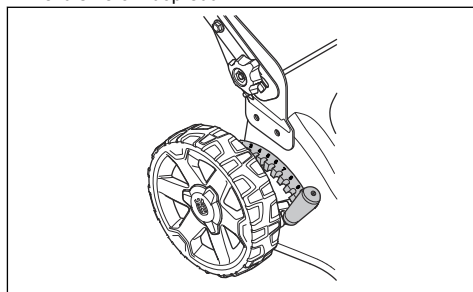


3. Zatiahnite gombíky.
4. Zdvihnite hornú rukoväť a zatiahnite gombíky.



Nastavenie výšky rezu

1. Ak chcete zvýšiť výšku rezu, posuňte páku výšky rezu smerom dozadu.
2. Ak chcete znížiť výšku rezu, posuňte páku výšky rezu smerom dopredu.



VAROVANIE: Nenastavujte výšku rezu príliš nízko. Ak nie je povrch trávniku rovný, nože môžu narážať o zem.

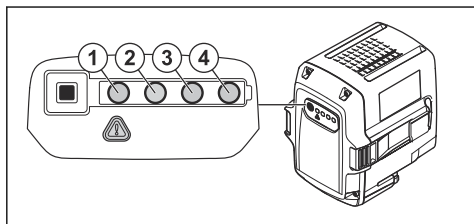
Batéria



VÝSTRAHA: Pred používaním batérie si musíte prečítať kapitolu o bezpečnosti a porozumieť informáciám, ktoré sa v nej uvádzajú. Okrem toho si musíte prečítať návod na obsluhu batérie a nabíjačky batérií a porozumieť jeho obsahu.

Stav batérie

Na displeji sa zobrazuje zostávajúca kapacita batérie a prípadné problémy s batériou. Kapacita batérie sa zobrazí na 5 sekúnd po vypnutí výrobku alebo po stlačení tlačidla indikátora batérie. Výstražný symbol na batérii sa rozsvieti, keď sa vyskytne chyba. Pozrite si časť *Batéria na strane 641*.



LED svetlá	Stav batérie
Všetky LED svetlá svietia	Plne nabitá (75 – 100 %)
Svieti LED 1, LED 2, LED 3	Batéria je nabitá na 50 % – 75 %
Svieti LED 1, LED 2	Batéria je nabitá na 25 % – 50 %
Svieti LED 1	Batéria je nabitá na 0 % – 25 %.
Bliká LED 1	Batéria je vybitá. Nabite batériu.

Nabíjanie batérie

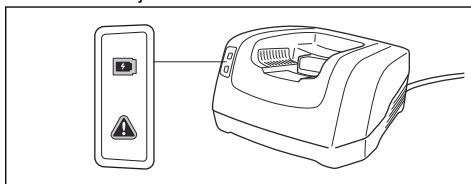
Batériu nabite pred prvým použitím. Pri dodaní zákazníkovi je batéria nabitá len na 30 % kapacity.

Poznámka: Nabíjačka batérie musí byť pripojená k sieti s napätím a frekvenciou, ktoré sa uvádzajú na výkonovom štítku.

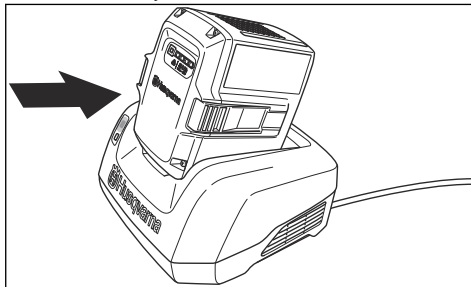
Batéria sa nenabíja, ak teplota batérie prekročí 50 °C. Pred začiatkom nabíjania nabíjačka batérií zníži teplotu batérie.

1. Jeden koniec napájacieho kábla nabíjačky batérií pripojte k zásuvke na nabíjačke batérií.

2. Druhý koniec napájacieho kábla nabíjačky batérií pripojte k uzemnenej sieťovej zásuvke. Indikátor LED na nabíjačke batérií raz blikne nazeleno.



3. Vložte batériu do nabíjačky batérií. Po správnom pripojení batérie k nabíjačke batérií sa na nabíjačke rozsvieti zelený indikátor.



4. Keď svietia všetky indikátory LED na batérii, batéria je plne nabitá. Batériu nabíjajte maximálne 24 hodín.
5. Pri odpájaní nabíjačky batérií od sieťovej zásuvky ťahajte za zástrčku, nie za šnúru.
6. Vyberte batériu z nabíjačky batérií.

Stav nabíjania batérie

Lítium-iónová batéria Husqvarna sa dá nabíjať a používať pri všetkých úrovniach nabitia. Batéria nie je poškodená. Kapacita úplne nabitaj batérie sa neznižuje ani vtedy, keď ju necháte v nabíjačke.

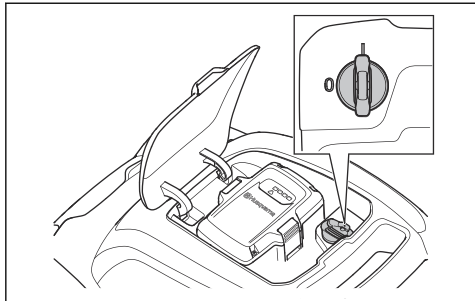
LED displej	Stav nabíjania
Bliká LED 1	0 % – 25 %
LED 1 svieti, LED 2 bliká	25 % – 50 %
LED 1, LED 2 svietia, LED 3 bliká	50 % – 75 %
LED 1, LED 2, LED 3 svietia, LED 4 bliká	75 % – 100 %
LED 1, LED 2, LED 3, LED 4 svietia	Úplne nabitá

Obsluha modelov LC 141iV a LC 141i

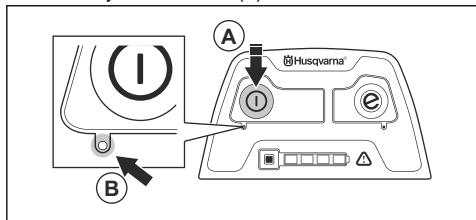
Zapnutie výrobku

1. Vložte nabitú batériu do priestoru na batérie.

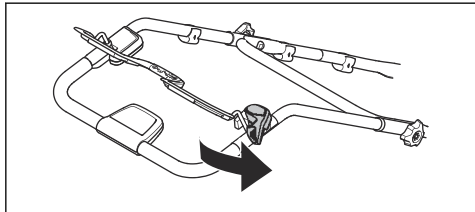
- Otočte bezpečnostný kľúč do polohy 1.



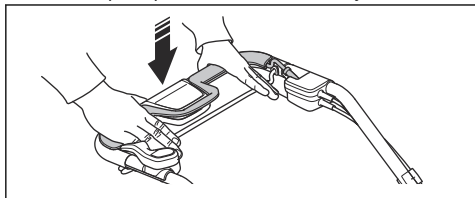
- Stojte za výrobkom.
- Stlačte vypínač (A) na ovládacom paneli a rozsvieti sa zelený indikátor LED (B).



- Povoľte poistku naštartovania.

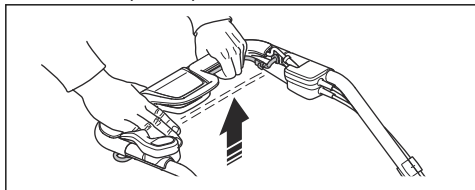


- Potlačte páku pohonu smerom k hornej rukoväti.

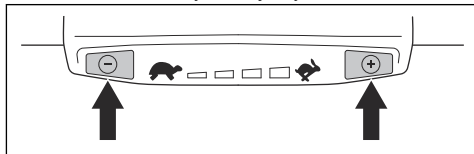


Používanie pohonu na kolesách

- Model LC 141iV. Potiahnutím páky pohonu smerom k rukoväti spustíte pohon.



- Stláčaním tlačidiel + a - na ovládacom paneli v 4 krokoch nastavíte rýchlosť jazdy.

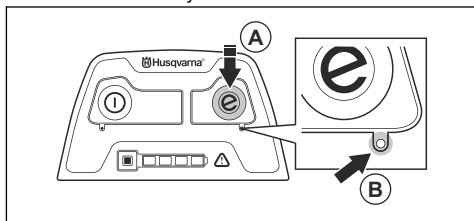


- Uvoľnením páky pohonu deaktivujete pohon, napr. keď sa pohybujete v blízkosti prekážok.

Používanie funkcie SavE

Výrobok je vybavený funkciou na šetrenie energie batérie (SavE), ktorá mu umožní dosiahnuť dlhší prevádzkový čas.

- Funkciu spustíte stlačením tlačidla SavE (A). Rozsvieti sa zelený indikátor LED.



- Funkciu zastavíte opätovným stlačením tlačidla SavE. Zelený indikátor LED (B) zhasne.

Funkcia SavE sa preruší automaticky, ak si stav terénu vyžaduje použiť vyšší výkon. Funkcia SavE sa spustí automaticky, keď to stav terénu umožní.

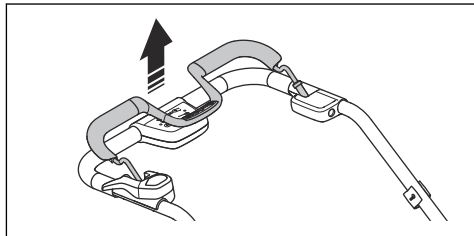
Funkcia vysokého zaťaženia

Keď výrobok kosí dlhú alebo mokrú trávu, motor automaticky zvýši otáčky. Motor sa vráti do štandardného režimu, keď už vysoké zaťaženie nie je potrebné.

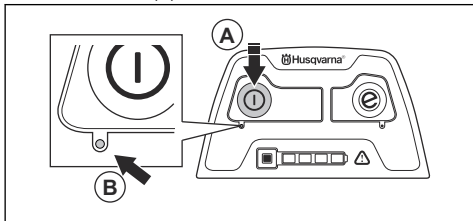
Vypnutie výrobku

Výrobok sa automaticky zastaví, ak ho nepoužívate aspoň 10 minút. Skôr než spustíte výrobok z dohľadu, vždy otočte bezpečnostný kľúč do polohy 0.

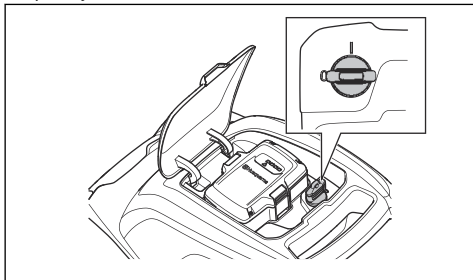
- Motor zastavíte uvoľnením brzdovej rukoväti motora.



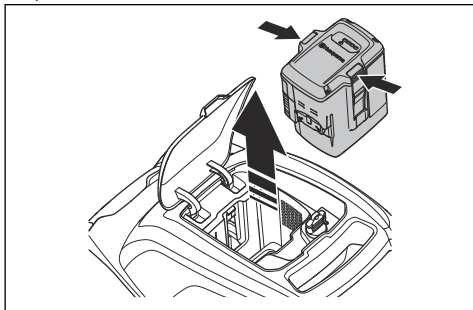
2. Stlačte vypínač (A) na ovládacom paneli a zelený indikátor LED (B) zhasne.



3. Otvorte kryt batérie a otočte bezpečnostný kľúč do polohy 0.



4. Batériu vyberte zatlačením 2 uvoľňovacích tlačidiel a potiahnutím batérie smerom von.



5. Ak má batéria nízku kapacitu, nabíjajte ju. Ďalšie informácie sú uvedené v časti *Nabíjanie batérie* na strane 636.

Obsluha modelu LC 141C

Výber vhodného kábla (LC 141C)

Poznámka: V Spojenom kráľovstve používajte iba 16 m predlžovací kábel, ktorý sa dodáva s produktom. Informácie pre ostatné krajiny nájdete nižšie.

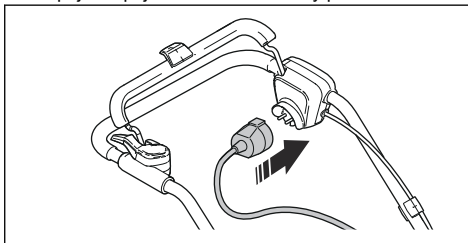
Ak používate predlžovacie káble, ich charakteristiky musia spĺňať minimálne úrovne prierezu uvedené v nasledujúcej tabuľke:

Napätie	Dĺžka kábla	Prierez
220 – 240 V/50 Hz	Až do 20 m	1,5 mm ²
220 – 240 V/50 Hz	20 – 50 m	2,5 mm ²

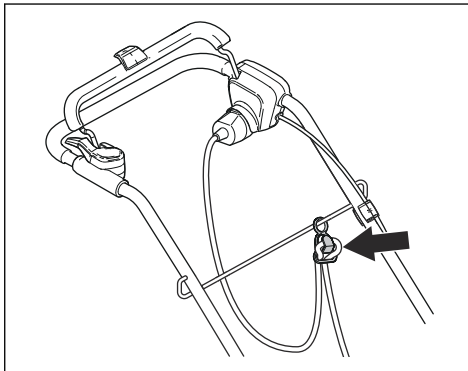
- Sieťový kábel a predlžovacie káble sú k dispozícii od vášho autorizovaného servisného zástupcu pre exteriérové produkty Husqvarna.
- Používajte výlučne tie predlžovacie káble, ktoré sú určené na vonkajšie použitie a ktoré spĺňajú niektorú z nasledujúcich špecifikácií: Obyčajná guma (60245 IEC 53), obyčajné PVC (60227 IEC 53) alebo obyčajné PCP (60245 IEC 57)
- V prípade poškodenia kábla sa kábel musí vymeniť u výrobcu, jeho servisného zástupcu alebo podobne kvalifikovaných osôb, aby ste sa nevystavovali nebezpečenstvu.

Zapnutie výrobku

1. Pripojte napájací kábel do zásuvky pod držadlom.

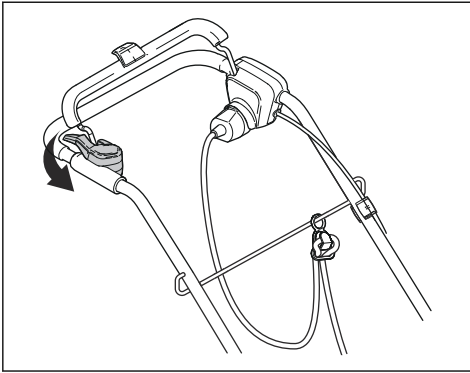


2. Vložte napájací kábel do držiaka napájacieho kábla. Pozrite si časť *Používanie držiaka napájacieho kábla (model LC 141C)* na strane 629.

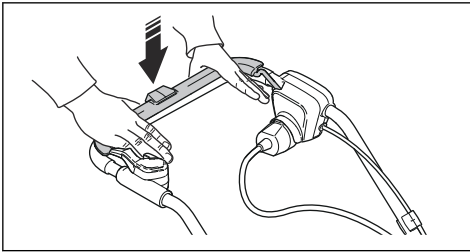


3. Stojte za výrobkom.

4. Povoľte poistku naštartovania.

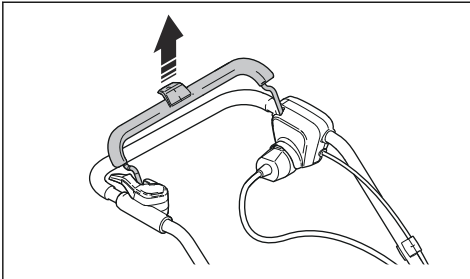


5. Potlačte páku pohonu smerom k hornej rukoväti.

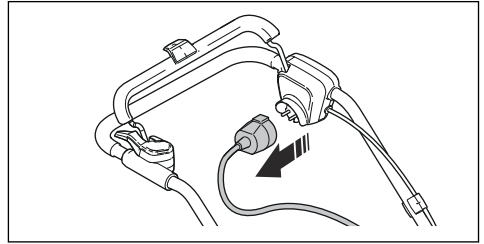


Vypnutie výrobku

1. Motor zastavíte uvoľnením brzdovej rukoväti motora.



2. Odpojte napájací kábel od elektrickej siete a potom od výrobku.



VAROVANIE: Zástrčku vyťahnite priamo von. Neťahajte za napájací kábel.

Zabezpečenie optimálnych výsledkov kosenia

- Vždy používajte ostrý nôž. Tupý nôž poskytuje nepravidelné výsledky kosenia a pokosený povrch trávnikťa zožltne. Ostrý nôž spotrebuje menej energie ako tupý nôž.
- Nekoste viac ako 1/3 dĺžky trávy. Najprv koste s nastavenou vysokou výškou rezu. Skontrolujte výsledok a znížte výšku rezu na príslušnú úroveň. Ak je tráva veľmi vysoká, pohybujte sa pomaly a ak je to potrebné, pokoste ju dvakrát.
- Zakaždým koste iným smerom, aby ste predišli vzniku pruhov na trávniku.

Údržba

Úvod



VÝSTRAHA: Pred vykonávaním akejkoľvek údržby si musíte prečítať kapitolu o bezpečnosti a porozumieť jej.

Údržba a opravné práce na výrobku si vyžadujú špeciálne školenie. Zaručujeme dostupnosť profesionálnych opravných prác a údržby. Ak váš predajca nie je servisný zástupca, kontaktujte predajcu,

ktorý vám poskytne informácie o najbližšom servisnom zástupcovi.

Plán údržby

Intervaly údržby sú vypočítané na základe každodenného používania výrobku. Ak sa výrobok nepoužíva každý deň, tieto intervaly sa menia.

Informácie o prvkoch údržby označených symbolom „**“ nájdete v časti *Bezpečnostné zariadenia na výrobku na strane 628*.

LC 141IV, LC 141i a LC 141C	Pri každom použití	Mesačne	Každú sezónu
Vykonajte všeobecnú kontrolu.	X		
Vyčistite výrobok.	X		
Skontrolujte poisťku naštartovania *.	X		
Skontrolujte, či sú bezpečnostné zariadenia na výrobku nepoškodené *.	X		
Skontrolujte rezné zariadenie.	X		
Skontrolujte kryt rezacej časti *.	X		
Skontrolujte rukoväť brzdy motora *.	X		

Iba modely LC 141IV a LC 141i	Pri každom použití	Mesačne	Každú sezónu
Skontrolujte správnosť funkcie vypínača a zistíte, či nemá poruchu.	X		
Skontrolujte, či nie je poškodená batéria.	X		
Skontrolujte nabitie batérie.	X		
Skontrolujte, či uvoľňovacie tlačidlá na batérii fungujú správne a riadne zaistia batériu vo výrobku.	X		
Skontrolujte, či nabíjačka batérií nie je poškodená, a presvedčte sa, či funguje správne.		X	
Skontrolujte prepojenia medzi batériou a výrobkom. Skontrolujte aj prepojenie medzi batériou a nabíjačkou batérií.			X

Vykonanie všeobecnej kontroly

- Uistite sa, že sú dotiahnuté matice a skrutky na výrobku.
- Skontrolujte, či káble výrobku nie sú v polohe, v ktorej by sa mohli poškodiť.

Čistenie výrobku

- Plastové diely čistite čistou a suchou handričkou.
- Výrobok neumývajte vodou. Voda môže preniknúť do batérie alebo motora a spôsobiť skrat alebo poškodenie výrobku.
- Na čistenie výrobku nepoužívajte vysokotlakový čistič.
- Nikdy nelejte vodu priamo na motor.
- Pomocou kefy odstráňte listy, trávu a nečistoty.

Čistenie batérie a nabíjačky batérií

- Pred vložením batérie do nabíjačky batérií skontrolujte, či sú batéria a nabíjačka batérií čisté a suché.
- Svorky batérie čistite stlačeným vzduchom alebo mäkkou a suchou handričkou.
- Povrch batérie a nabíjačky batérií čistite mäkkou a suchou handričkou.

Kontrola rezného zariadenia



VÝSTRAHA: Pre modely LC 141iV a LC 141i: Aby ste zabránili náhodnému spusteniu, otočte bezpečnostný kľúč do polohy 0, vyberte batériu a počkajte minimálne 5 sekúnd.

Pre model LC 141C: Neúmyselnému spusteniu predídete odpojením napájacieho kábla.



VAROVANIE: Batériu ani nabíjačku batérií nečistite vodou.



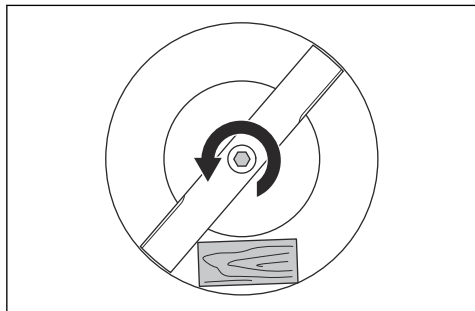
VÝSTRAHA: Pri vykonávaní údržby rezného zariadenia používajte ochranné rukavice. Nôž je veľmi ostrý a ľahko môže dôjsť k porezaniu.

1. Skontrolujte, či sa na reznom zariadení nenachádzajú známky poškodenia alebo praskliny. Poškodené rezné zariadenie vždy vymeňte.
2. Skontrolujte, či nie je poškodený alebo tupý nôž.

Poznámka: Po nabrúsení je potrebné nôž vyrovnať. Nôž nechajte nabrúsiť, vymeniť a vyrovnať v servisnom stredisku. Ak narazíte na predmet, ktorý spôsobí zastavenie výrobku, vymeňte poškodený nôž. Nechajte, aby servisné stredisko rozhodlo, či je možné nôž nabrúsiť alebo sa musí vymeniť.

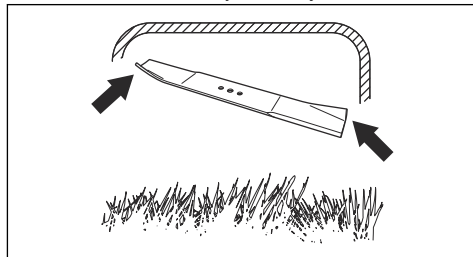
Demontáž a výmena noža

1. Pomocou dreveného bloku zaistíte nôž.

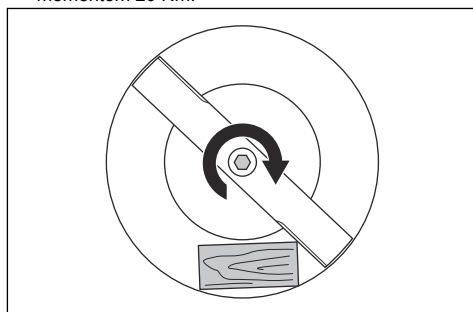


2. Odstráňte skrutku noža.
3. Odstráňte nôž.
4. Skontrolujte držiak noža a skrutku noža kvôli známkam poškodenia.
5. Skontrolujte hriadeľ motora a uistite sa, že nie je ohnutý.

6. Pri upevňovaní nového noža nasmerujte zošikmené konce noža v smere krytu rezacej časti.



7. Uistite sa, že je nôž zarovnaný so stredom hriadeľa motora.
8. Pomocou dreveného bloku zaistíte nôž. Založte odpruženú podložku a utiahnite skrutku a podložku momentom 20 Nm.



9. Rukou potočte nožom a uistite sa, že sa voľne otáča.



VÝSTRAHA: Používajte odolné rukavice. Nôž je veľmi ostrý a ľahko môže dôjsť k porezaniu.

10. Zapnite výrobok a otestujte nôž. Ak nôž nie je správne upevnený, výrobok vibruje alebo poskytuje neuspokojivé výsledky kosenia.

Riešenie problémov

Batéria

Indikátory LED na batérii	Príčina	Riešenie
Bliká zelený indikátor LED.	Napätie batérie je nízke.	Nabite batériu. Pozrite si časť <i>Nabíjanie batérie na strane 636</i> .

Indikátory LED na batérii	Príčina	Riešenie
Bliká indikátor LED, ktorý signalizuje poruchu.	Kapacita batérie je nízka.	Nabite batériu. Pozrite si časť <i>Nabíjanie batérie na strane 636</i> .
	Teplota pracovného prostredia je príliš vysoká alebo príliš nízka.	Batériu používajte v prostredí, v ktorom sa teplota pohybuje od $-10\text{ }^{\circ}\text{C}$ do $40\text{ }^{\circ}\text{C}$.
	Prepätie.	Uistite sa, že sieťové napätie zodpovedá údajom uvedenému na výkonovom štítku výrobku. Vyberte batériu z nabíjačky batérií. Počkajte 5 sekúnd a znova vyskúšajte nabiť batériu. Ak problém pretrváva, obráťte sa na schváleného servisného zástupcu.
Svieti indikátor LED, ktorý signalizuje poruchu.	Rozdiel napätia článkov je priveľký (1 V).	Obráťte sa na schváleného servisného zástupcu.

Nabíjačka batérií

Indikátor LED na nabíjačke batérií	Príčina	Riešenie
Bliká indikátor LED, ktorý signalizuje poruchu.	Teplota pracovného prostredia je príliš vysoká alebo príliš nízka.	Nabíjačku batérií používajte pri teplotách od $5\text{ }^{\circ}\text{C}$ do $40\text{ }^{\circ}\text{C}$.
Svieti indikátor LED, ktorý signalizuje poruchu.		Obráťte sa na schváleného servisného zástupcu.

Ovládací panel

V prípade iných problémov, ktoré sa v tejto časti neuvádzajú, sa obráťte na servisného zástupcu.

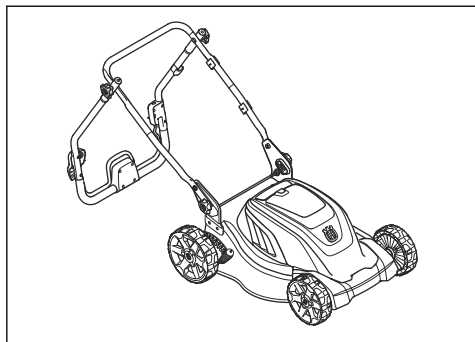
Klávesnica	Možné poruchy	Možná činnosť
Bliká dióda LED signalizujúca poruchu	Motor je preťažený	Zvýšte výšku rezu. Pozrite si časť <i>Nastavenie výšky rezu na strane 635</i> .
	Otáčky motora výrazne klesajú a motor sa zastavuje	
	Riadenie motora je príliš horúce	Zastavte motor a počkajte, kým nevychladne
	Nôž je zablokovaný	Aby ste zabránili náhodnému spusteniu, otočte bezpečnostný kľúč do polohy 0, vyberte batériu a počkajte minimálne 5 sekúnd. Skontrolujte, či sa nôž môže voľne otáčať. Ak problém pretrváva, obráťte sa na autorizovaného servisného zástupcu
	Chyba batérie alebo žiaden signál z batérie	Vložte batériu do výrobku správne a skontrolujte konektor batérie. Ak bliká chybový indikátor LED na batérii, pozrite si časť <i>Batéria na strane 641</i> .

Klávesnica	Možné poruchy	Možná činnosť
Výrobok sa zastaví	Kapacita batérie je nízka	Nabite batériu. Pozrite si časť <i>Nabíjanie batérie na strane 636.</i>
	Chyba konektora batérie	Skontrolujte konektor batérie

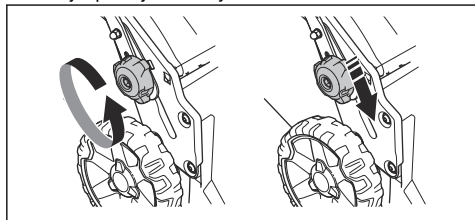
Preprava, skladovanie a likvidácia

Nastavenie výrobku do transportnej polohy

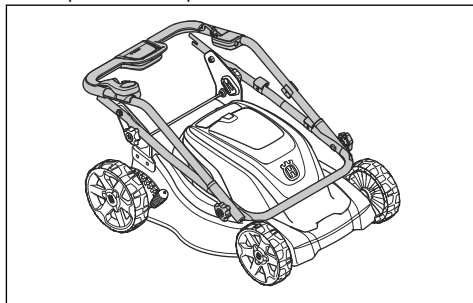
1. Ak je nainštalovaný zberný kôš, odmontujte ho.
2. Uvoľníte gombíky na hornej rukoväti a sklopte rukoväť nadol.



3. Uvoľníte spodné gombíky.
4. Posuňte gombíky smerom k spodnej časti drážok na ľavej a pravej strane výrobku.



5. Skoppte držadlo dopredu.



Preprava

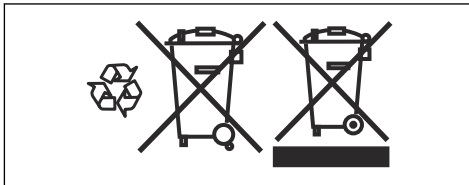
- Právne predpisy upravujúce nebezpečný tovar sa vzťahujú aj na používané lítium-iónové batérie.
- Pri obchodnej preprave treba dodržiavať špeciálne požiadavky týkajúce sa balenia a štítkov.
- Počas prípravy výrobku na prepravu zaistíte, aby ste spĺňali právne predpisy týkajúce sa nebezpečných materiálov. Na túto situáciu sa môžu vzťahovať aj miestne nariadenia.
- Pred prepravou vždy vyberte batériu.
- Konektory batérie prelepte páskou a zaistíte, aby sa batéria počas prepravy nehýbala.
- Počas prepravy výrobok zaistíte.

Skladovanie

- Pred uložením vždy vyberte batériu.
- Aby ste predišli nehodám, zabezpečte sa, že batéria nie je počas skladovania pripojená k výrobku.
- Nabíjačku batérie skladujte v uzavretých a suchých priestoroch.
- Batériu a nabíjačku batérie skladujte v uzavretých a suchých priestoroch, kde nie sú vystavené vlhkosti ani mrazu.
- Počas skladovania odpojte batériu od nabíjačky.
- Neskladujte batériu na mieste s výskytom statickej elektriny. Batériu nekladajte do kovovej skrinky.
- Batériu skladujte v priestoroch, kde sa teplota pohybuje od 5 °C do 25 °C, a nikdy ju nevystavujte priamemu slnečnému svetlu.

- Nabíjačku batérie skladujte v priestoroch, kde sa teplota pohybuje od 5 °C do 45 °C, a nikdy ju nevystavujte priamemu slnečnému svetlu.
- Pred dlhodobým skladovaním sa uistite, že batéria je nabitá na 30 – 50 % kapacity.
- Výrobok, batériu a nabíjačku batérie skladujte v uzamknutom priestore mimo dosahu detí a neoprávnených osôb.
- Pred dlhodobým skladovaním výrobok vyčistite a vykonajte kompletný servis.

prostredie a zdravie ľudí, ktorý by inak mohol byť dôsledkom nesprávnej likvidácie tohto výrobku. Podrobnejšie informácie o recyklácii tohto výrobku získate na mestskom úrade, od služby zaisťujúcej spracovanie domáceho odpadu alebo v predajni, kde ste výrobok zakúpili.



Likvidácia

Symbols na výrobku alebo na obale výrobku označujú, že sa tento výrobok nesmie likvidovať ako domáci odpad. Musí sa odovzdať do príslušnej recyklačnej stanice pre recykláciu elektrických a elektronických zariadení.

Zaistením správnej likvidácie tohto výrobku pomôžete zabrániť potenciálnemu negatívnemu dopadu na životné

Technické údaje

Technické údaje LC 141iV, LC 141i

	LC 141iV	LC 141i
Kosiaci motor		
Typ motora	BLDC (bezkontaktný) 36V	BLDC (bezkontaktný) 36V
Otáčky motora – SavE, ot./min.	2 700	2 700
Otáčky motora – menovité, ot./min.	3 100	3 100
Otáčky motora – vysoké zaťaženie, ot./min.	3 700	3 700
Výstupný výkon motora – max., kW	0,8	0,8
Výstupný výkon motora – menovitý, kW	0,55	0,55
Hnací motor		
Výstupný výkon motora – menovitý, kW	0,25	–
Rýchlosť kráčania, km/h	3,0 – 4,5	–
Úrovne nastavenia rýchlosti	4	–
Hmotnosť		
Hmotnosť bez batérie, kg	21,5	18,6
Akumulátor ¹⁵⁵		
Typ batérie	Rad batérií Husqvarna	Rad akumulátorov Husqvarna
Prevádzková doba batérie		
Prevádzková doba batérie, min. (prevádzka naprázdno) s aktivovanou funkciou SavE, s batériou 5,2 Ah Husqvarna (BLi200).	77	77

¹⁵⁵ Na dosiahnutie najlepších výsledkov a výkonnosti sa odporúča batéria Husqvarna BLi200.

	LC 141iV	LC 141i
Prevádzková doba batérie, min. (prevádzka naprázdno) s aktivovaným štandardným režimom, s 5,2 Ah batériou Husqvarna (BLi200).	45	45
Emisie hluku ¹⁵⁶		
Nameraná úroveň hlučnosti, dB(A)	88	88
Zaručená úroveň hlučnosti L _{WA} dB(A)	89	89
Hladiny hluku ¹⁵⁷		
Hladina akustického tlaku pri uchu obsluhy, dB(A)	83	83
Úrovne vibrácií ¹⁵⁸		
Rukováť, m/s ²	2,0	2,0
Kosenie		
Výška rezu, mm	25 – 70	25 – 70
Šírka kosenia, cm	41	41
Nôž, objednávacie číslo	Zber – 5011716-01	Zber – 5011716-01
Kapacita zberného koša, v litroch	50	50

Schválené batérie	Značka	Typ	Kapacita batérie, Ah	Napätie, V	Hmotnosť, kg (lb)
BLi10	Husqvarna	Lítium-iónová	2,0	36	1,8/0,8
BLi100	Husqvarna	Lítium-iónová	2,6	36	1,9/0,8
BLi20	Husqvarna	Lítium-iónová	4,0	36	2,7/1,2
BLi200	Husqvarna	Lítium-iónová	5,2	36	2,8/1,3
BLi300	Husqvarna	Lítium-iónová	9,4	36	4,1/1,9

Schválené nabíjačky pre uvedené batérie,	Značka	Vstupné napätie, V	Frekvencia, Hz	Výkon, W
QC80	Husqvarna	100 – 240	50 – 60	80
QC80F	Husqvarna	12	0	80
QC250	Husqvarna	220 – 240	50	250
QC330	Husqvarna	100 – 240	50 – 60	330

¹⁵⁶ Hladina hluku meraná ako akustický tlak (L_{WA}) v súlade s európskou smernicou 2000/14/ES.

¹⁵⁷ Uvádzané údaje pre hladinu akustického tlaku majú typický štatistický rozptyl (štandardnú odchýlku) 1,2 dB (A).

¹⁵⁸ Uvádzané údaje pre ekvivalentný stupeň vibrácií majú typický štatistický rozptyl (štandardnú odchýlku) 0,2 m/s².

Schválené nabíjačky pre uvedené batérie,	Značka	Vstupné napätie, V	Frekvencia, Hz	Výkon, W
QC500	Husqvarna	100 – 240	50 – 60	500

Technické údaje LC 141C

LC 141C	
Motor	
Typ motora	Sériový motor AC
Otáčky motora – menovité, ot./min.	3200
Výkon	1 800 W
Zdroj napájania	Elektrický pohon so šnúrou
Napájací kábel (súčasťou balenia iba pre Spojené kráľovstvo)	
Typ kábla	16 m predĺžovacia šnúra
Hmotnosť, kg	1,6
Hmotnosť	
Hmotnosť, kg	20,4
Emisie hluku ¹⁵⁹	
Nameraná úroveň hlučnosti dB(A)	93
Zaručená úroveň hlučnosti L _{WA} dB(A)	95
Úrovně hlučnosti ¹⁶⁰	
Hladina akustického tlaku pri uchu obsluhy, dB(A)	85
Úrovně vibrácií ¹⁶¹	
Rukoväť, m/s ²	2,0
Kosenie	
Výška rezu, mm	25 – 70
Šírka kosenia, cm	41
Nôž, objednávacie číslo	Zberací 5011716-01
Kapacita zberného koša, v litroch	50

¹⁵⁹ Hladina hluku meraná ako akustický tlak (L_{WA}) v súlade s európskou smernicou 2000/14/ES.

¹⁶⁰ Uvádzané údaje pre hladinu akustického tlaku majú typický štatistický rozptyl (štandardnú odchýlku) 1,4 dB (A).

¹⁶¹ Uvádzané údaje pre ekvivalentný stupeň vibrácií majú typický štatistický rozptyl (štandardnú odchýlku) 0,2 m/s².

ES vyhlásenie o zhode

ES vyhlásenie o zhode

Husqvarna AB, SE-561 82 Huskvarna, Švédsko, tel.:

+46-36-146500, vyhlasuje, že **kosačky na trávu**

Husqvarna LC 141iV a LC 141i s výrobnými číslami

2018XXXXXXX a novšími a **Husqvarna LC 141C** od

sériového čísla 2015XXXXXXX, spĺňajú požiadavky

SMERNICE RADY:

- z 8. júna 2011 o „obmedzení používania určitých nebezpečných látok“ **2011/65/EÚ**,
- zo 17. mája 2006, „Smernica o strojoch“ **2006/42/EÚ**,
- z 26. februára 2014 „vzťahujúcej sa na elektromagnetickú kompatibilitu“, **2014/30/EÚ**,
- z 8. mája 2000 „o emisiách hluku v prostredí“ **2000/14/EÚ**.

Informácie týkajúce sa emisií hluku nájdete v kapitole Technické údaje.

Husqvarna LC 141iV a LC 141i vyhovujú nasledujúcim

normám: **IEC 60335-2-77:2002, IEC**

60335-1:2010+A1:2013, EN 55014-1:2017, EN

55014-2:2015, EN 61000-3-2:2014, EN 61000-3-3:2013,

EN 62233:2008

Husqvarna LC 141C vyhovujú nasledujúcim normám:

EN 60335-1:2012+A11:2014, EN 60335-2-77:2010, EN

62233:2008, EN 55014-1:2017+A11, EN 55014-2:2015,

EN 61000-3-2:2019, EN 61000-3-11:2019

Notifikovaný orgán: **0404, RISE SMP Svensk**

Maskinprovning AB, Box 7035, SE-750 07 Uppsala

vykonal posudzovanie zhody v súlade s prílohou VI smernice 2000/14/ES.

Huskvarna, 2020-10-13



Claes Losdal, manažér vývoja/záhradné produkty
(autorizovaný zástupca spoločnosti Husqvarna AB
a osoba zodpovedná za technickú dokumentáciu.)

VSEBINA

Uvod.....	648	Odpravljanje težav.....	668
Varnost.....	651	Transport skladiščenje in odstranitev.....	669
Montaža.....	659	Tehnični podatki.....	670
Delovanje.....	661	Izjava ES o skladnosti.....	674
Vzdrževanje.....	666		

Uvod

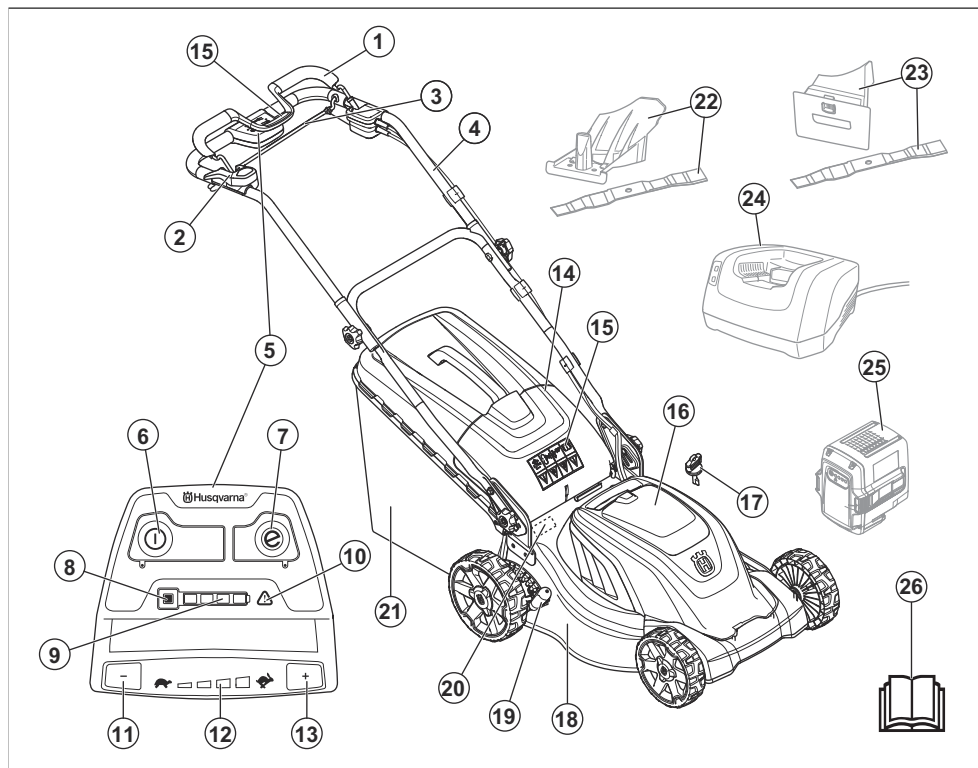
Opis izdelka

Naprava je rotacijska kosilnica. Pokošena trava se zbira v zbiralniku za travo. Če želite uporabiti zadenjski izmet trave, odstranite zbiralnik za travo. Če želite travo razrezati v gnojilo, namestite mulčer (dodatna oprema).

Namen uporabe

Izdelek uporabite za rezanje trave. Izdelka ne uporabljajte za druga opravila.

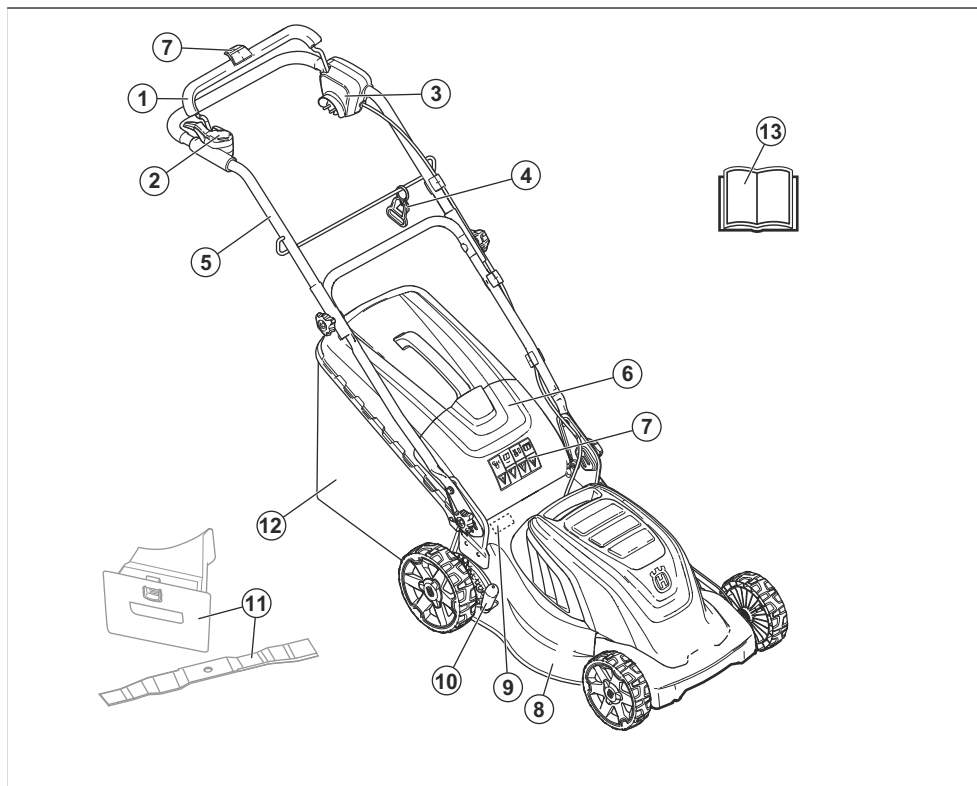
Pregled izdelka LC 141iV / LC 141i



- | | |
|-------------------------------|--|
| 1. Motorna zavorna ročica | 6. Gumb za vklop/izklop |
| 2. Blokada vžiga | 7. Gumb SaveE |
| 3. Pogonska ročica (LC 141iV) | 8. Indikatorski gumb stanja baterije |
| 4. Ročica/ročaj | 9. Indikator napolnjenosti baterije |
| 5. Kontrolna plošča | 10. Opozorilna ločka (dioda LED za napako) |

- | | |
|---------------------------------------|--|
| 11. Gumb za upočasnjevanje (LC 141iV) | 19. Ročica za nastavitev višine košnje |
| 12. Indikator hitrosti (LC 141iV) | 20. Tipska ploščica |
| 13. Gumb za pospeševanje (LC 141iV) | 21. Zbiralnik za travo |
| 14. Zadnji pokrov | 22. Komplet za mulčenje (dodatna oprema za LC 141iV) |
| 15. Simboli | 23. Komplet za mulčenje (dodatna oprema za LC 141i) |
| 16. Pokrov baterije | 24. Baterijski polnilnik (dodatna oprema) |
| 17. Varnostni ključ | 25. Baterija (dodatna oprema) |
| 18. Pokrov rezila | 26. Navodila za uporabo |

Pregled izdelka LC 141C



- | | |
|---|-------------------------|
| 1. Motorna zavorna ročica | 13. Navodila za uporabo |
| 2. Blokada vžiga | |
| 3. Vtič za napajalni kabel | |
| 4. Nosilec napajalnega kabla | |
| 5. Ročica/ročaj | |
| 6. Zadnji pokrov | |
| 7. Simboli | |
| 8. Pokrov rezila | |
| 9. Tipska ploščica | |
| 10. Ročica za nastavitev višine košnje | |
| 11. Vložek za mulčenje (dodatna oprema) | |
| 12. Zbiralnik za travo | |

Simboli na izdelku



Nepredvidna in nepravilna uporaba izdelka lahko povzroči poškodbe in celo smrt uporabnika ali drugih navzočih oseb.



Pred uporabo tega izdelka morate prebrati navodila za uporabo ter jih razumeti.



Osebe in živali naj bodo na varni razdalji od delovnega območja.



Pazite na leteče in odbite predmete.



Opozorilo: Roke in noge držite stran od vrtljivega rezila.



Opozorilo: Z rokami in nogami ne segajte v območje premikanja vrtljivih delov.



Pred vzdrževanjem izdelka odstranite varnostni ključ. (model LC 141iV/LC 141i)



Pred vzdrževanjem morate izdelek odklopiti iz električne vtičnice. (model LC 141C)

IPX1

IPX1 - Izdelek je zaščiten pred kapljanjem vode (model LC 141iV/LC 141i)

IPX4

IPX4 - Izdelek je zaščiten pred pljuski vode (model LC 141C)



Izdelka ne izpostavljajte dežju (model LC 141iV/LC 141i)



Opozorilo: Pazite, da pri košnji ne zapeljete čez napajalni kabel, saj s tem povzročite električni udar ali poškodbe izdelka. (model LC 141C)



Izdelek je v skladu z veljavnimi direktivami ES.



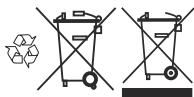
Emisija hrupa v okolje v skladu z direktivo Evropske skupnosti. Podatek za emisijo izdelka je naveden v poglavju "Tehnični podatki" ter na nalepki.



Enosmerni tok. 36 V



Dvojna izolacija.



Izdelek je treba oddati v zbirnem centru za reciklažo električne in elektronske opreme. (Velja samo za Evropo)



Postopek zagona pri modelu LC 141iV/ LC 141i: pritisnite gumb za vklop/izklop, sprostite blokado vžiga ter potisnite motorno zavorno ročico navzdol.



Postopek zagona pri modelu /LC 141C: sprostite blokado vžiga

ter potisnite motorno zavorno ročico navzdol.



Za zaustavitev sprostite motorno zavorno ročico.



Počasi



Hitro



Bralna koda

Opomba: Ostali simboli in oznake na izdelku se nanašajo na zahteve za certifikacijo, ki veljajo za nekatere trge.

Odgovornost proizvajalca

Kot je navedeno v zakonodaji, ki ureja odgovornost proizvajalca, ne prevzemamo nikakršne odgovornosti za poškodbe, ki bi jih naši izdelki povzročili v naslednjih primerih:

- Izdelek ni pravilno popravljen.
- Izdelek je popravljen z deli, ki jih ni izdelal ali odobril proizvajalec.
- Na izdelku je nameščena dodatna oprema, ki je ni izdelal ali odobril proizvajalec.
- Izdelek ni bil popravljen v pooblaščenem servisnem centru ali pri pooblaščenem organu.

Varnost

Varnostne definicije

Opozorila, svarila in opombe opozarjajo na posebej pomembne dele priročnika.



OPOZORILO: Se uporabi, če obstaja nevarnost telesne poškodbe ali smrti uporabnika ali opazovalcev ob neupoštevanju navodil v tem priročniku.



POZOR: Se uporabi, če obstaja nevarnost poškodbe izdelka, drugih materialov ali okolice ob neupoštevanju navodil v tem priročniku.

Opomba: Se uporabi za podajanje podrobnejših informacij, potrebnih v dani situaciji.

Splošna varnostna navodila



OPOZORILO: Pred uporabo izdelka preberite navodila v povezavi z opozorili v nadaljevanju.

- Ta izdelek je lahko nevaren, če ga ne uporabljate pravilno ali če niste previdni. Če ne upoštevate varnostnih navodil, lahko nastopijo poškodbe ali celo smrt.
- Izdelek med delovanjem ustvarja elektromagnetno polje. To polje lahko v nekaterih pogojih moti delovanje aktivnih ali pasivnih medicinskih vsadkov. Uporabnikom medicinskih vsadkov svetujemo, da se pred uporabo tega izdelka posvetujejo z zdravnikom ali proizvajalcem medicinskega vsadka, s čimer zmanjšajo nevarnost resnih ali smrtnih poškodb.
- Vedno bodite previdni in ravnajte razumno. Če niste prepričani, kako upravljati ta izdelek v določeni situaciji, prenehajte z delom in se pogovorite s prodajalcem Husqvarna.
- Ne pozabite, da je uporabnik odgovoren za nesreče, ki jih povzroči drugim ljudem ali njihovi lastnini.
- Stroj redno čistite. Pozorno preberite znake in nalepke.
- Naprave ne smejo uporabljati otroci ali osebe, ki niso seznanjene z navodili. Lokalni

predpisi lahko omejujejo starost delavca

- Če izdelek uporabljajo osebe z zmanjšanimi fizičnimi ali intelektualnimi sposobnostmi, jih nenehno nadzorujte. Vedno mora biti prisotna odgovorna odrasla oseba.
- Izdelka ne uporabljajte, ko ste utrujeni, bolni, ali pod vplivom alkohola, drog ali zdravil. To negativno vpliva na vaš vid, pozornost, koordinacijo in presojo.
- Izdelka ne uporabljajte, če je poškodovan.
- Izdelka ne spreminjajte ali uporabljajte, če obstaja možnost, da so ga spremenile tretje osebe.

Varnost delovnega področja



OPOZORILO: Pred uporabo izdelka preberite navodila v povezavi z opozorili v nadaljevanju.

- Z delovnega območja pred začetkom dela odstranite predmete, kot so veje, vejice in kamni.
- Predmeti, ki pridejo v kontakt z rezalno opremo, lahko odletijo in poškodujejo osebe in ostale predmete. Opazovalci in živali

naj bodo na varni razdalji od izdelka.

- Izdelka nikoli ne uporabljajte v slabem vremenu, kot je megla, dež, močan veter, izreden mraz ter nevarnost strele. Če izdelek uporabljate v slabem vremenu ali v vlažnih ali mokrih okoljih, vas bo to utrudilo. Slabo vreme lahko povzroči nevarne pogoje, kot je spolzka podlaga.
- Bodite pozorni na osebe, predmete in situacije, ki lahko preprečijo varno obratovanje izdelka.
- Bodite pozorni na ovire, kot so korenine, kamni, veje, jame in jarki. Visoka trava lahko prekriva ovire.
- Košnja trave na pobočju je lahko nevarna. Ne kosite po izjemno strmih naklonih. Izdelka ne uporabljajte na pobočjih z naklonom, večjim od 15°.
- Pri spreminjanju smeri na naklonih bodite izjemno previdni. Izdelek uporabljajte prečno na pobočje. Ne premikajte se navzgor in navzdol.
- Bodite previdni, kadar se približujete kotom in predmetom, ki omejujejo pogled.

Varnost pri delu



OPOZORILO: Pred uporabo izdelka preberite navodila v povezavi z opozorili v nadaljevanju.

- Ta izdelek uporabljajte izključno za košnjo trave. Ne uporabljajte ga za druga opravila.
- Uporabljajte osebno zaščitno opremo. Glejte *Osebna zaščitna oprema na strani 654*.
- V zasilnem primeru morate znati motor hitro izklopiti.
- Izdelka ne uporabljajte dežju ali visoki vlagi. Nevarnost električnega udara se poveča, če v izdelek vdre voda.
- Izdelka ne uporabljajte, če rezilo in vsi pokrovi niso nameščeni pravilno. Nepravilno nameščeno rezilo lahko odleti in povzroči poškodbe.
- Pazite, da rezilo ne udarja ob predmete, npr. kamenje in korenine. To lahko poškoduje rezilo in ukrivi motorno gred. Zvita os povzroča vibracije in zelo visoko tveganje, da rezilo odleti.
- Če rezilo trči ob predmet ali začutite vibracije, izdelek nemudoma izklopite. Izklopite

- motor, varnostni ključ obrnite v položaj "0" in odstranite baterijo (modela LC 141iV in LC 141i) ali izklopite kabel (model LC 141C). Preglejte, ali je izdelek morda poškodovan. Poškodbe popravite ali pa popravilo prepustite pooblaščenemu serviserju.
- Ročice zavore motorja nikoli ne pritrđite trajno na ročaj, ko motor deluje.
 - Izdelek vklopite na stabilni in ravni podlagi. Prepričajte se, da rezilo ne trči ob tla ali druge predmete.
 - Vedno bodite za izdelkom, ko ga upravljate.
 - Ko upravljate izdelek, morajo biti vsa kolesa na tleh, prav tako pa imejte na ročaju obe roki. Roke in noge držite stran od vrtljivih rezil.
 - Pri delujočem motorju izdelka nikoli ne nagibajte.
 - Ko izdelek potegnete nazaj, bodite previdni.
 - Izdelka ne dvigajte, ko motor deluje. Če morate izdelek dvigniti, najprej izklopite motor, nato varnostni ključ obrnite v položaj "0" in odstranite baterijo (modela LC 141iV in LC 141i) ali izklopite kabel (model LC 141C).

- Med uporabo izdelka ne hodite vzvratno.
- Izklopite motor, ko se premikate prek področij brez trave, npr. poti iz gramoza, kamna in asfalta.
- Pri delujočem motorju ne tecite z izdelkom. Pri uporabi tega izdelka vedno hodite.
- Pred spreminjanjem višine reza ustavite motor. Ne izvajajte nastavitvev, ko motor deluje.
- Izdelek z delujočim motorjem morate imeti vedno na očeh. Izklopite motor in se prepričajte, da se rezalna oprema ne vrti.

Varnostna navodila za uporabo

Osebna zaščitna oprema



OPOZORILO: Pred uporabo izdelka preberite navodila v povezavi z opozorili v nadaljevanju.

- Osebna zaščitna oprema ne more popolnoma preprečiti poškodb, vendar v primeru nesreče omili posledice. Prodajalec naj vam pomaga izbrati ustrezno opremo.
- Uporabite trpežno obutev, ki ne drsi. Ne bodite bosí ali nosite odprtih čevljev.

- Oblečene imejte trpežne, dolge hlače.
- Po potrebi uporabite zaščitne rokavice, npr. kadar pritrjujete, pregledujete ali čistite rezalno opremo.

Varnostne naprave na izdelku



OPOZORILO: Pred uporabo izdelka preberite navodila v povezavi z opozorili v nadaljevanju.

- Ne uporabljajte izdelka s poškodovanimi varnostnimi napravami.
- Redno preverjajte varnostne naprave. Če so varnostne naprave poškodovane, se obrnite na pooblaščen servisno delavnico Husqvarna.

Preverjanje pokrova rezila

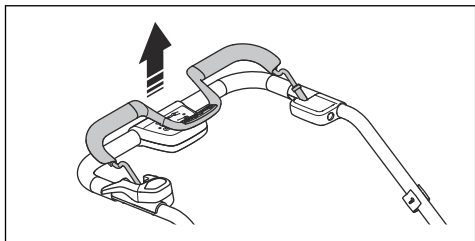
Pokrov rezila zmanjšuje moč vibracij v izdelku in zmanjšuje nevarnost poškodb, katerih vzrok bi lahko bilo rezilo.

- Preglejte pokrov rezila in se prepričajte, da nima poškodb, kot so razpoke.

Motorna zavorna ročica

Zavorna ročica motorja izklopi motor. Ko spustite zavorno ročico motorja, se motor ustavi.

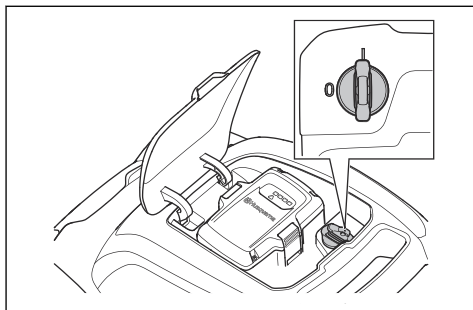
Za preverjanje motorne zavore morate motor zagnati, potem pa ročico zavore motorja sprostiti. Če se motor ne izklopi v 3 sekundah, mora izdelek preveriti pooblaščen servisler Husqvarna, ki mora nato nastaviti motorno zavoro.



Varnostni ključ (modela LC 141IV in LC 141I)

Varnostni ključ je pod pokrovom baterije. Varnostni ključ skrbi za povezavo baterije, ki napaja motor.

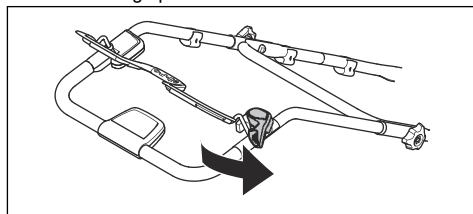
- Zaženite in izklopite motor, da preverite varnostni ključ.
- Če varnostni ključ deluje pravilno, se motor zažene, ko ključ obrnete v položaj 1.



Za pregled blokade vžiga

Preverite blokado vžiga in se prepričajte, da onemogoča zagon motorja.

1. Ročico motorne zavore potisnite v smer ročaja. Blokada vžiga ustavi premikanje.
2. Blokado vžiga potisnite ven.



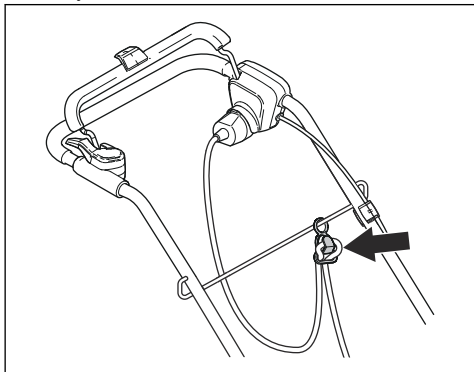
3. Sprostite gumb blokade vžiga in se prepričajte, da se vrne v izhodiščni položaj.

Uporaba nosilca napajalnega kabla (model LC 141C)

Nosilec napajalnega kabla zmanjšuje obremenitve, ki sta jim izpostavljena vtičnica in kabel. Nosilec napajalnega kabla poleg tega tudi zmanjšuje nevarnost padca.

1. Napajalni kabel zvijte v majhno zanko.
2. Zanko vstavite v odprtino nosilca napajalnega kabla.
3. Zanko namestite na kavelj.

4. Povlecite za napajalni kabel in ga tako zategnite ob kavelj.



Varna uporaba baterije



OPOZORILO: Pred uporabo izdelka preberite navodila v povezavi z opozorili v nadaljevanju.

- Kot vir napajanja uporabljajte akumulatorske baterije Husqvarna; samo za povezane izdelke Husqvarna. Za preprečevanje poškodb baterije ne uporabljajte za napajanje drugih naprav.
- Ne uporabljajte baterij za enkratno uporabo.
- Nevarnost električnega udara. Poli baterije ne smejo priti v stik s ključi, kovanci, vijaki ali drugimi kovinskimi deli. To lahko povzroči kratek stik baterije.
- V zračne reže baterije ne vstavljajte predmetov.
- Baterije ne izpostavljajte neposredni sončni svetlobi, vročini ali odprtemu ognju. Baterija lahko eksplodira in povzroči opekline in/ali kemične opekline.
- Baterije ne izpostavljajte dežju in vlagi.
- Baterije ne izpostavljajte mikrovalovom in visokemu tlaku.
- Baterije ne poskušajte razstaviti ali odpreti.
- Če baterija pušča, pazite, da tekočina ne pride v stik s telesom ali očmi. Če ste se tekočine dotaknili, območje očistite z obilo vode in poiščite zdravniško pomoč.
- Baterijo uporabljajte v okolju s temperaturami med $-10\text{ }^{\circ}\text{C}$ in $40\text{ }^{\circ}\text{C}$.
- Baterije ali polnilnika nikoli ne čistite z vodo. Glejte *Čiščenje baterije in baterijskega polnilnika na strani 667*.
- Ne uporabljajte poškodovanih ali pokvarjenih baterije.
- Baterije med skladiščenjem ne smejo priti v stik s kovinskimi predmeti, na primer žebliji, kovanci ali nakitom.

Varna uporaba polnilnika baterije



OPOZORILO: Pred uporabo izdelka preberite navodila v povezavi z opozorili v nadaljevanju.

- Za polnjenje nadomestnih baterij Husqvarna uporabljajte samo polnilnike baterij QC.
- Nevarnost električnega udara ali kratkega stika. V zračne reže polnilnika ne vstavljajte predmetov. Polnilnika baterije ne poskušajte razstaviti. Poli na polnilniku se ne smejo dotikati kovinskih predmetov. Uporabljajte homologirano omrežno vtičnico.
- Izdelek med delovanjem ustvarja elektromagnetno polje. To polje lahko v nekaterih pogojih moti delovanje aktivnih ali pasivnih medicinskih vsadkov. Uporabnikom medicinskih vsadkov svetujemo, da se pred uporabo tega izdelka posvetujejo z zdravnikom ali proizvajalcem medicinskega vsadka, s čimer zmanjšajo nevarnost resnih ali smrtnih poškodb.
- Redno preverjajte, da napajalni kabel polnilnika ni poškodovan in ni napokan.
- Polnilnika baterije ne dvigujte za napajalni kabel. Polnilnik baterije odklopite iz stenske vtičnice tako, da povlečete vtič. Nikoli ne vlecite za napajalni kabel.
- Pazite, da se napajalni kabel in kabelski podaljški ne dotaknejo vode, olja in ostrih robov. Kabli ne smejo biti preščipnjeni med vrata, ograje in podobne dele. Zaradi tega je lahko polnilnik pod napetostjo.
- Polnilnika baterije nikoli ne čistite z vodo.
- Polnilec baterije lahko uporabljajo otroci, stari 8 let in več, ter osebe z omejenimi telesnimi, zaznavalnimi ali duševnimi sposobnostmi ali s pomanjkanjem izkušenj in znanja, če so pri tem pod nadzorom ali jih o varni uporabi ter morebitnih nevarnostih podučijo odgovorna oseba. Otroci se s polnilnikom ne smejo igrati. Otroci naprave brez nadzora ne smejo čistiti, ali opravljati običajnih uporabnikovih vzdrževalnih posegov.

- V baterijskem polnilniku ne polnite baterij za enkratno uporabo.
- Polnilnika baterije ne uporabljajte v bližini gorljivih materialov ali materialov, ki povzročajo korozijo. Ne pokrivajte polnilnika baterije. V primeru dima ali požara izvalcite vtič polnilnika baterije.
- Ne uporabljajte poškodovanega ali pokvarjenega polnilnika baterije.
- Baterijo polnite le v zaprtih prostorih z dobrim prezračevanjem, kjer je zaščiten pred neposredno sončno svetlobo. Baterijske enote ne polnite v stiku z vodo ali vlago.

Varnost napajalnega kabla

Model LC 141C.

- Priporočena je uporaba naprave na diferenčni tok (R.C.D.) s sprožilnim tokom do največ 30 mA. Tudi z nameščenim R.C.D. 100-% varnost ni zagotovljena, zato je treba obvezno spoštovati navodila za varno delo. Pred vsako uporabo preverite delovanje naprave na diferenčni tok (R.C.D.).

- V primeru poškodovane izolacije izdelek takoj odklopite iz električnega napajanja.
- Ne dotikajte se prerezanega ali poškodovanega kabla, dokler ne odklopite električnega napajanja.
- Ne popravljajte prerezanega ali poškodovanega napajalnega kabla. Zamenjajte ga z novim.

Varnostna navodila za vzdrževanje



OPOZORILO: Pred uporabo izdelka preberite navodila v povezavi z opozorili v nadaljevanju.

- Model LC 141iV, LC 141i: Za preprečevanje neželenega zagona med vzdrževanjem morate varnostni ključ obrniti v položaj 0 in odstraniti baterijo. Pred začetkom vzdrževalnih del počakajte najmanj 5 sekund.
- Model LC 141C: Za preprečevanje neželenega vklopa med vzdrževanjem odklopite napajalni kabel.
- Vzdrževalna dela opravljajte pravilno in tako podaljšajte življenjsko dobo izdelka ter zmanjšajte nevarnost nesreč. Pooblaščen servisier naj opravi popravila, za katera je zahtevano profesionalno osebje. Za več informacij se

- obrnite na najbližjega servisnega zastopnika.
- Vzdrževalna dela opravite tako, kot piše v teh navodilih za uporabo. Zahtevnejše posege mora opraviti pooblaščen serviser.
- Pri delu z rezalno opremo morate nositi močne zaščitne rokavice. Rezilo je izjemno ostro, zato lahko hitro pride do ureznin.
- Za najboljše in najvarnejše delovanje morajo biti rezalni robovi ostri in čisti.
- Izdelek naj redno preverja in po potrebi nastavlja ter popravlja pooblaščen servisna delavnica.
- Zamenjajte poškodovane, obrabljene ali zlomljene dele.
- Upoštevajte navodila za zamenjavo dodatne opreme. Uporabljajte samo dodatno opremo, ki jo odobri proizvajalec.
- Ko izdelka ne uporabljate, morate izdelek, baterijo in polnilnik baterije hraniti ločeno v suhem, zaprtem in zaklenjenem prostoru. Otroci in osebe, katerim uporaba ni dovoljena, ne smejo imeti dostopa do izdelka, baterije ali polnilnika baterije.

Montaža

Uvod



OPOZORILO: Preden sestavite izdelek, preberite poglavje o varnosti.

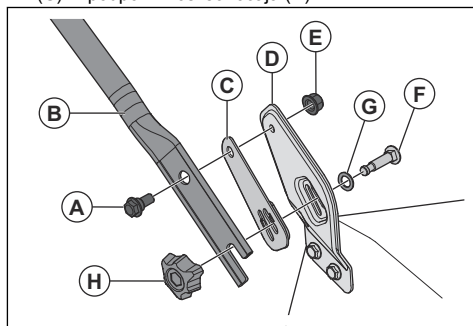


OPOZORILO: Model LC 141iV, LC 141i: Neželen vklop med sestavljanjem preprečite tako, da ključ obrnete v položaj 0, odstranite baterijo in počakate vsaj 5 sekund.

Model LC 141C: Za preprečevanje neželenega vklopa med sestavljanjem odklopite napajalni kabel.

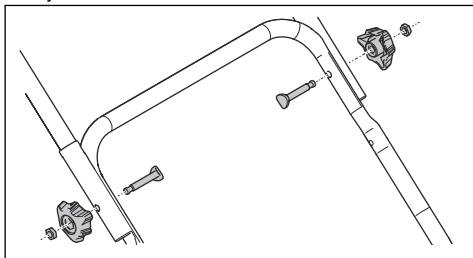
Montaža ročice

1. Potisnite vijak (A) skozi ročaj (B), plastično podložko (C) in podporni nosilec ročaja (D).

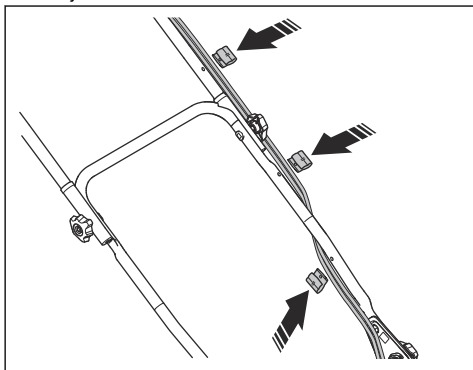


2. Do konca zategnite matico (E).
3. Potisnite vijak (F) skozi podložko (G) in podporni nosilec ročaja.
4. Do konca zategnite gumbni vijak (H).

5. Odprtine v ročaju poravnajte z odprtinami v spodnjem delu ročaja ter namestite vijaka, podložki in gumbna vijaka. Popolnoma zategnite gumbne vijake.

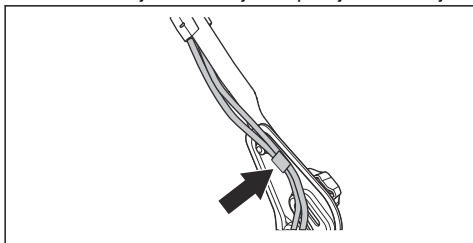


6. S priloženimi veznimi elementi pletenice pritrдите na ročaj.



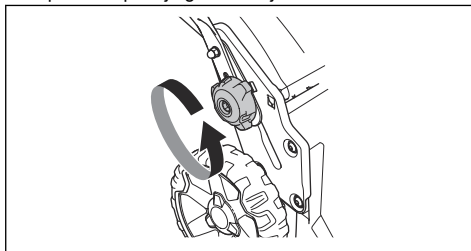
Opomba: Ne pritrđite jih preveč na tesno, da ne bodo prenapete. Če so pletenice preveč napete, lahko pride do poškodb, ko ročaj prekopite v položaj za transport.

7. Pletenice ovijte okoli kavlja na spodnji strani ročaja.

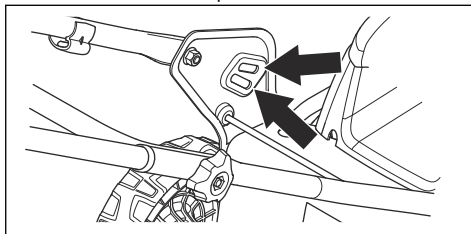


Nastavitev višine ročice

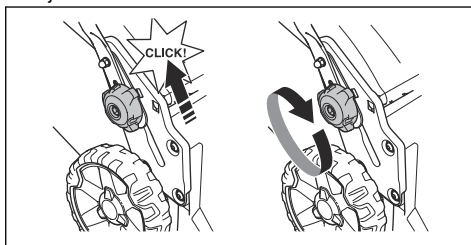
1. Sprostite spodnja gumbna vijaka.



2. Odstranite gumbna vijaka, podložki in vijaka na levi in desni strani.
3. Ročico lahko nastavite na 2 različni višini. Vijak vstavite v eno od 2 odprtin na levi in desni strani.

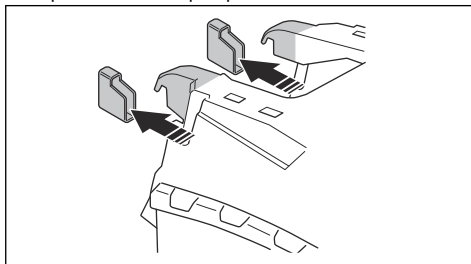


4. Privijte vijake, podložke in gumbne vijake.
5. Premaknite gumbna vijaka do konca navzgor proti ročici, da zaslišite klik. Popolnoma zategnite gumbne vijake.

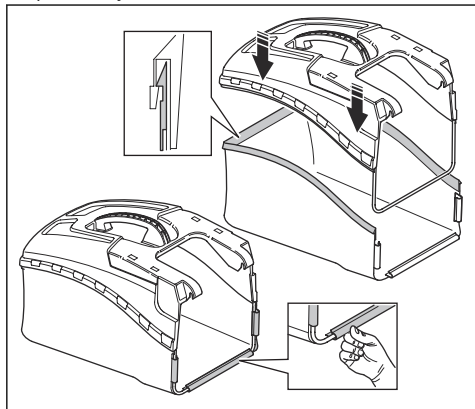


Namestitev zbiralnika za travo

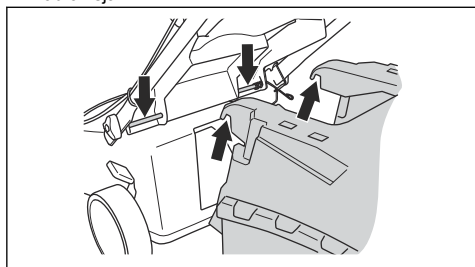
1. 2 pokrova za transport potisnite navzven in navzdol.



- Zgornji del zbiralnika za travo namestite na spodnji del zbiralnika za travo. Okvir zbiralnika za travo pritrdite z jezički.

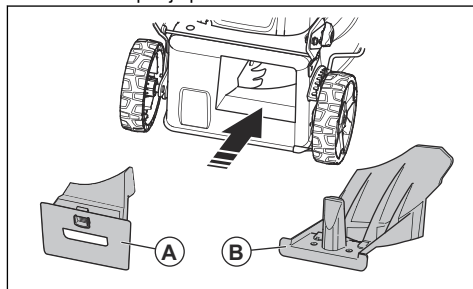


- Dvignite zadnji pokrov.
- Kaveljčke na zbiralniku za travo pritrdite na zgornji rob ohišja.



Montaža kompleta za mulčenje

- Privzdignite zadnji pokrov in odstranite zbiralnik za travo.
- Vložek za mulčenje vstavite v izpustni kanal. Vložek za mulčenje tipa A je primeren za LC 141i in LC 141C. Tip B je primeren za model LC 141iV.



- Zaprte zadnji pokrov.
- Rezilo zamenjajte z rezilom Combi, glejte *Odstranitev in zamenjava rezila na strani 667*.

Delovanje

Uvod



OPOZORILO: Pred uporabo izdelka morate prebrati in razumeti poglavje o varnosti.

Husqvarna Connect

Husqvarna Connect je brezplačna aplikacija za vašo mobilno napravo. Aplikacija Husqvarna Connect omogoča razširitev funkcij vašega izdelka Husqvarna:

- Dodatne informacije o izdelku.
- Informacije o izdelku, delih in servisu ter pomoč.

Začetek uporabe: Husqvarna Connect

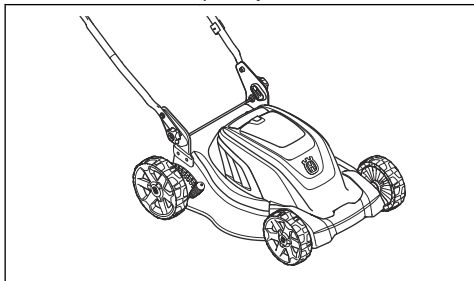
- V mobilno napravo si prenesite aplikacijo Husqvarna Connect.
- Registrirajte se v aplikaciji Husqvarna Connect.

- Za vzpostavitev povezave in registracijo izdelka sledite navodilom v aplikaciji Husqvarna Connect.

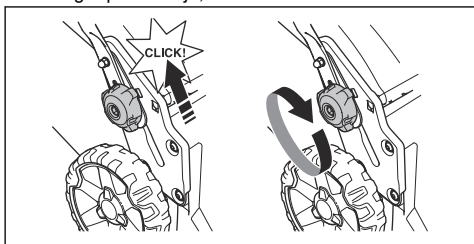
Nastavitev kosilnice v delovni položaj

Če je ročaj v transportnem položaju/položaju za skladiščenje (glejte *Nastavitev kosilnice v transportni položaj na strani 669*), opravite postopek za preklapljanje ročajev v delovni položaj.

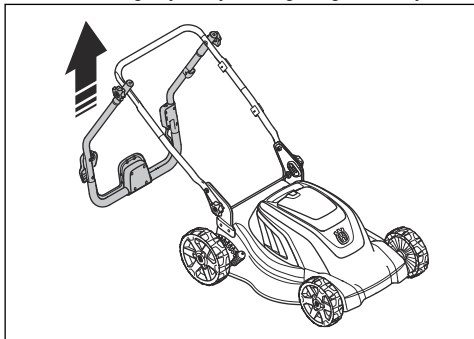
1. Ročaj dvignite, dokler se spodnji del ročaja ne zaskoči v delovnem položaju.



2. Spodnja gumbna vijaka premaknite do konca navzgor proti ročaju, da se zaskoči.



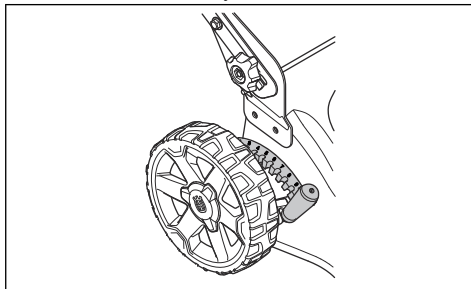
3. Zategnite gumbna vijaka.
4. Namestite zgornji ročaj in zategnite gumbna vijaka.



Nastavitev višine košnje

1. Povlecite ročico za nastavitev višine košnje nazaj, da povečate višino rezanja.

2. Potisnite ročico za nastavitev višine košnje naprej, da znižate višino rezanja.



POZOR: Ne nastavite višino rezanja prenizko. Rezila lahko trčijo ob tla, če površina travnika ni ravna.

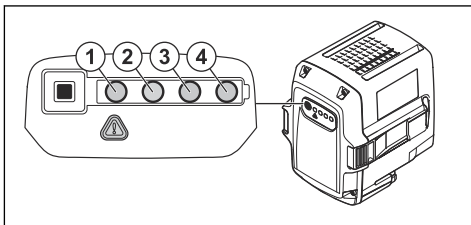
Baterija



OPOZORILO: Pred uporabo baterije morate prebrati in razumeti poglavje o varnosti. Prebrati in razumeti morate tudi navodila za uporabo, ki so priložena bateriji in polnilniku.

Stanje baterije

Na zaslonu je prikazana preostala napoljenost baterije in podatki o morebitnih težavah z baterijo. Napoljenost baterije je prikazana še 5 sekund po izklopu naprave ob pritisku gumba indikatorja baterije. V primeru napake sveti na bateriji opozorilni indikator. Glejte *Baterija na strani 668*.



Indikatorji LED	Stanje baterije
Vsi indikatorji LED svetijo	Polna napoljenost (75–100 %)
Svetijo indikatorji LED 1, 2 in 3	50–75-odstotna napoljenost
Svetita indikatorji LED 1 in 2	25–50-odstotna napoljenost
Sveti indikator LED 1	0–25-odstotna napoljenost

Indikatorji LED	Stanje baterije
Indikator LED 1 utripa	Baterija je prazna. Napolnite baterijo.

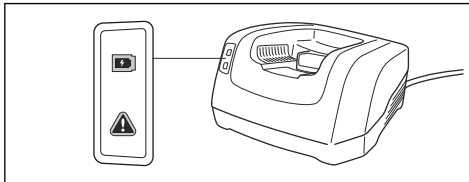
Polnjenje baterije

Baterijo pred prvo uporabo napolnite. Baterija je ob dobavi napolnjena na 30 %.

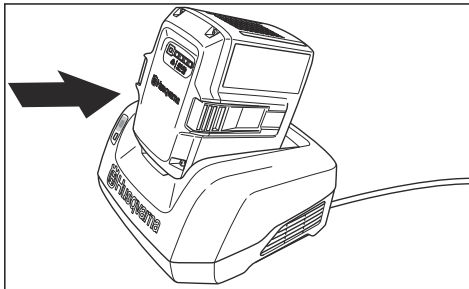
Opomba: Baterijski polnilnik mora biti priključen na napetost in frekvenco, ki sta navedena na tipski ploščici.

Če je temperatura baterije višja od 50 °C, se ne polni. Polnilnik baterije pred polnjenjem zniža temperaturo baterije.

1. En konec napajalnega kabla vstavite v konektor v polnilniku baterije.
2. Drugi konec napajalnega kabla polnilnika priklopite v primerno ozemljeno električno vtičnico. Indikator LED na polnilniku baterije enkrat utripne zeleno.



3. Baterijo vstavite v polnilnik baterije. Zeleni indikator na polnilniku se vklopi, ko je baterija pravilno vstavljena v polnilnik.



4. Ko se vsi indikatorji LED na bateriji vklopijo, je baterija popolnoma napolnjena. Baterijo polnite največ 24 ur.
5. Polnilnik baterije iz stenske vtičnice izvlecite za vtič, ne za kabel.
6. Odstranite baterijo iz polnilnika.

Stanje napoljenosti baterije

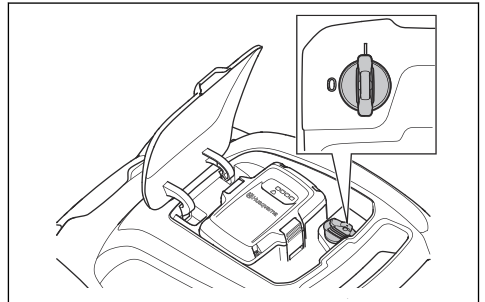
Litij-ionske baterije Husqvarna lahko polnite in uporabljate pri vseh nivojih napoljenosti. Baterija se ne poškoduje. Napoljenost popolnoma napolnjene baterije ne pada, če jo pustite v polnilniku.

Indikatorji LED	Stanje napoljenosti
Indikator LED 1 utripa	0–25 %
LED 1 sveti, LED 2 utripa	25–50 %
LED 1 in 2 svetita, LED 3 utripa	50–75 %
LED 1, 2 in 3 svetijo, LED 4 utripa	75–100 %
LED 1, 2, 3 in 4 svetijo	Polna napoljenost

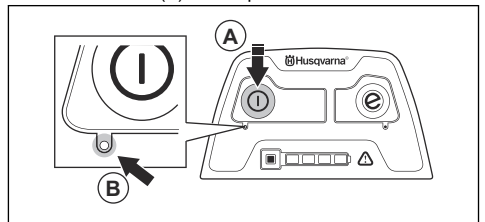
Uporaba LC 141iV in LC 141i

Zagon izdelka

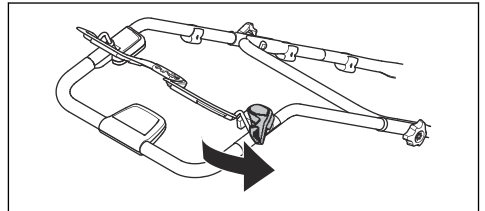
1. Napolnjeno baterijo vstavite v prostor za baterije.
2. Varnostni ključ obrnite v položaj 1.



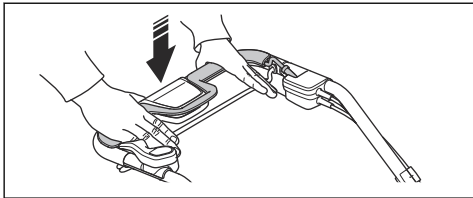
3. Ostanite za izdelkom.
4. Pritisnite gumb VKLOP/IZKLOP (A) na krmlilni plošči in zelena LED (B) se vklopi.



5. Sprostite blokado vžiga.

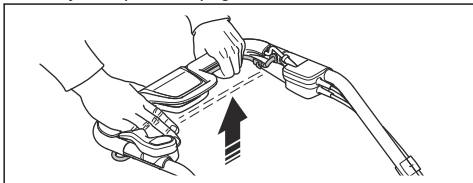


6. Ročico motorne zavore potisnite v smer ročaja.

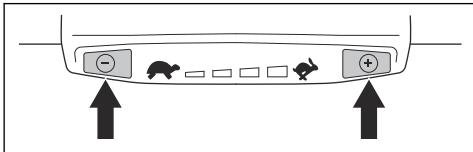


O uporabi pogona koles

- Model LC 141iV. Povlecite pogonsko ročico proti ročaju za sprostitvev pogona.



- Pritisnite + in – na krmilni plošči za nastavitvev hitrosti pogona v 4 korakih.

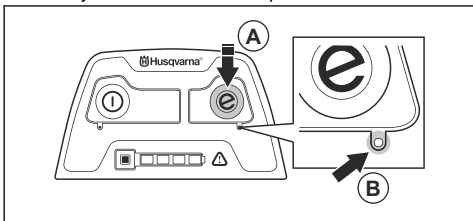


- Sprostite pogonsko ročico, da izklopite pogon, npr. ko ste blizu ovire.

Za uporabo funkcije SavE

Izdelek je opremljen s funkcijo varčevanja z baterijo (SavE), ki omogoča daljši čas delovanja.

1. Pritisnite gumb SavE (A) za začetek izvajanja funkcije. Zelena LED se vklopi.



2. Znova pritisnite gumb SavE za konec izvajanja funkcije. Zelena LED (B) se izklopi.

Funkcija SavE se samodejno izklopi, če je zaradi pogojev tal potrebna večja moč. Funkcija SavE se samodejno zažene, ko pogoji tal to dopuščajo.

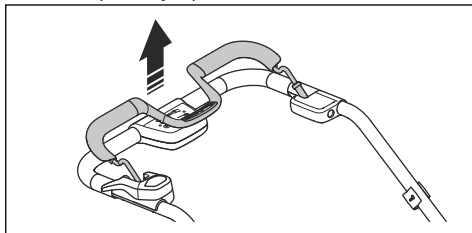
Funkcija visoke obremenitve

Ko izdelek kosi dolgo ali mokro travo, motor samodejno poviša število vrtljajev. Motor znova preklopi v normalni način, ko višja obremenitev ni več potrebavana.

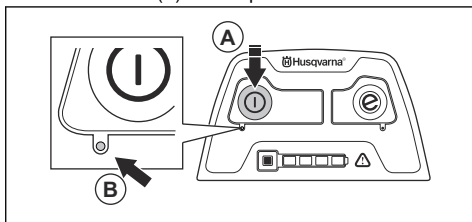
Izklop izdelka

Izdelek se samodejno izklopi po 10 minutah mirovanja. Pred zapiščanjem izdelka morate varnostni ključ obvezno obrniti v položaj 0.

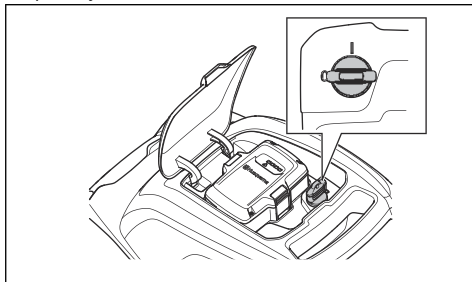
1. Za izklop motorja sprostite ročico motorne zavore.



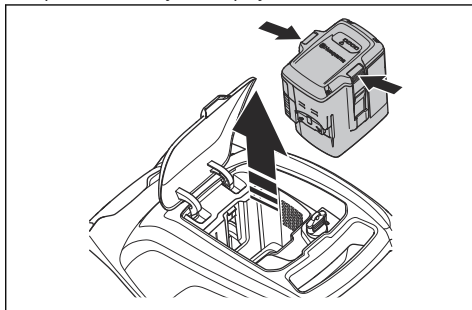
2. Pritisnite gumb VKLOP/IZKLOP (A) na krmilni plošči in zelena LED (B) se izklopi.



3. Odprite pokrov baterije in varnostni ključ obrnite v položaj 0.



4. Za odstranitev baterije pritisnite 2 gumba za sprostitvev baterije, nato pa jo izvlcite.



5. Napolnite baterijo, če je izpraznjena. Za več informacij glejte *Polnjenje baterije na strani 663*.

Uporaba LC 141C

Izbira homologiranega kabla (LC 141C)

Opomba: Združeno kraljestvo; dovoljena je samo uporaba podaljška 16M, priloženega izdelku ob dobavi. Za vse ostale trge glejte spodaj navedene informacije.

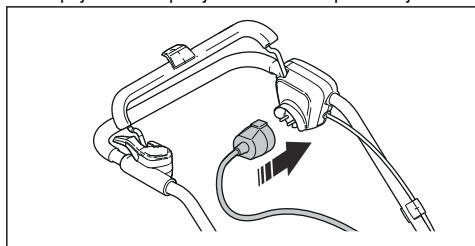
Če uporabljate podaljške, morajo ti imeti najmanjši presek, naveden v spodnji tabeli:

Napetost	Dolžina kabla	Presek
220–240 V/50 Hz	Do 20 m	1,5 mm ²
220–240 V/50 Hz	20–50 m	2,5 mm ²

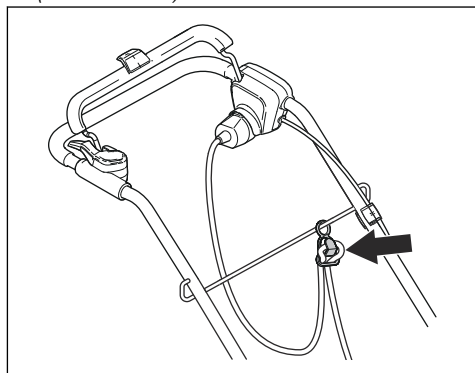
- Kabli in podaljški so na voljo pri lokalni pooblašteni servisni delavnici za izdelke podjetja Husqvarna za zunanjo uporabo.
- Uporabljajte samo podaljške, posebej zasnovane za zunanjo uporabo in skladne z eno od naslednjih specifikacij: Navadna guma (60245 IEC 53), navadni PVC (60227 IEC 53) ali navadni PCP (60245 IEC 57)
- Če je kabel poškodovan, ga mora zamenjati proizvajalec, pooblašteni serviser ali ustrezno usposobljena oseba. S tem se izognete morebitnim nevarnostim.

Zagon izdelka

1. Napajalni kabel priključite v vtičnico pod ročajem.

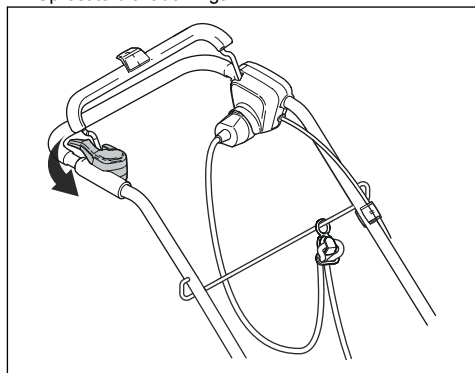


2. Napajalni kabel vstavite v nosilec napajalnega kabla. Glejte poglavje *Uporaba nosilca napajalnega kabla (model LC 141C) na strani 655*.

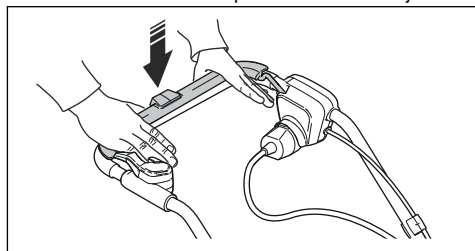


3. Ostanite za izdelkom.

4. Sprostite blokado vžiga.

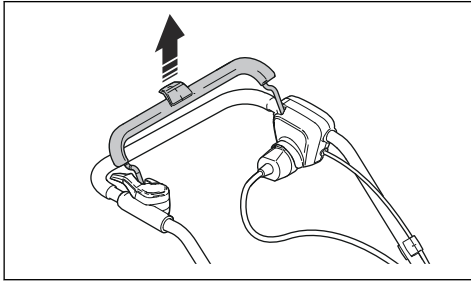


5. Ročico motorne zavore potisnite v smer ročaja.

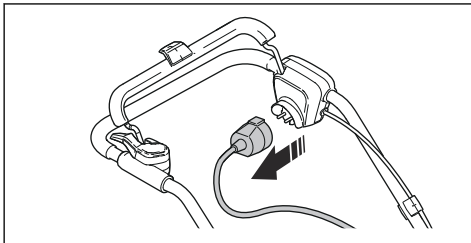


Izklop izdelka

1. Za izklop motorja sprostite ročico motorne zavore.



2. Napajalni kabel odklopite iz električne vtičnice in nato še iz izdelka.



POZOR: Vtič povlecite naravnost iz vtičnice. Nikoli ne vlecite za napajalni kabel.

Kako doseči dober rezultat

- Vedno uporabljajte ostra rezila. Če uporabljate topo rezilo, bo trava pokošena neenakomerno, ob zarezah pa lahko postane tudi rumena. Ostro rezilo prav tako porabi manj energije kot topo rezilo.
- Ne odrežite več kot tretjino dolžine travnih bilk. Najprej kosite z visoko nastavitvijo višine košnje. Preglejte rezultat in nastavite višino košnje na ustrezno višino. Če je trava zelo visoka, vozite počasi in po potrebi kosite dvakrat.
- Vsakič kosite v različnih smereh, da se na travi ne bi pojavile črte.

Vzdrževanje

Uvod



OPOZORILO: Pred izvajanjem vzdrževalnih del morate prebrati in razumeti poglavje o varnosti.

Za servisiranje in popravila na izdelku posebno usposabljanje ni potrebno. Zagotavljamo, da vam bodo na voljo strokovna popravila in servisiranje. Če vaš

prodajalec ni pooblaščen serviser, ga povprašajte, kje je naslednja najbližja pooblaščen servisna delavnica.

Urnik vzdrževanja

Izračunani intervali vzdrževanja veljajo za vsakodnevno uporabo izdelka. Intervali se spremenijo, če izdelka ne uporabljate vsakodnevno.

Vzdrževalni posegi, označeni z *, veljajo za *Varnostne naprave na izdelku na strani 655.*

LC 141IV, LC 141i in LC 141C	Pri vsaki uporabi	Mesečno	Vsako sezono
Opravite splošen pregled.	X		
Izdelek očistite.	X		
Preverite blokado vžiga*.	X		
Prepričajte se, da varnostne naprave izdelka niso poškodovane*.	X		
Preverite rezalno opremo.	X		
Preglejte pokrov rezila*.	X		
Preverite ročico motorne zavore*.	X		

Samo LC 141iV in LC 141i.	Pri vsaki uporabi	Mesečno	Vsako sezono
Prepričajte se, da gumb za VKLOP/IZKLOP deluje pravilno in ni pokvarjen.	X		
Preverite, ali je baterija poškodovana.	X		
Preverite napolnjenost baterije.	X		
Prepričajte se, da gumba za sprostitvev na bateriji delujeta pravilno in omogočata pravilen zaklep baterije v izdelku.	X		
Preverite, ali je polnilnik baterije poškodovan, in se prepričajte, da pravilno deluje.		X	
Preverite povezave med baterijo in izdelkom. Preverite tudi povezave med baterijo in polnilnikom baterije.			X

Izvajanje splošnih pregledov

- Prepričajte se, da so matice in vijaki na izdelku dobro priviti.
- Prepričajte se, da kablji na izdelku niso v položaju, v katerem bi se lahko poškodovali.

Čiščenje izdelka

- Plastične dele čistite s čisto in suho krpo.
- Izdelka ne čistite z vodo. Voda lahko vdre v baterijo ali motor in povzroči kratki stik ali poškoduje izdelek.
- Izdelka ne čistite z visokotlačnim čistilnikom.
- Vode ne zlivajte neposredno na motor.
- S krtačo odstranite listje, travo in umazanijo.

Čiščenje baterije in baterijskega polnilnika



POZOR: Baterije ali polnilnika nikoli ne čistite z vodo.

- Pred vstavljanjem baterije v polnilnik baterije se prepričajte, da sta baterija in polnilnik baterije čista in suha.
- Pola baterije očistite s stisnjanim zrakom ali za čiščenje uporabite mehko in suho krpo.
- Površine baterije in polnilnika očistite z mehko in suho krpo.

Kako pregledati rezalno opremo



OPOZORILO: Modela LC 141iV in LC 141i: Za preprečevanje neželenega vklopa varnostni ključ obrnite v položaj "0", odstranite baterijo in počakajte najmanj 5 sekund.

Model LC 141C: Za preprečevanje neželenega vklopa odklopite napajalni kabel.



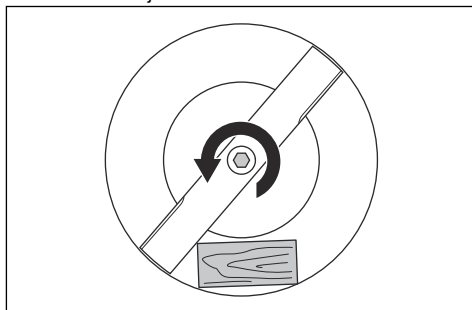
OPOZORILO: Pri vzdrževanju rezalne opreme uporabite zaščitne rokavice. Rezilo je izjemno ostro, zato lahko hitro pride do ureznin.

1. Preverite, ali je rezalna oprema poškodovana oziroma razpokana. Če je rezalna oprema poškodovana, jo zamenjajte.
2. Preverite, ali je rezilo poškodovano ali topo.

Opomba: Rezilo morate po brušenju postaviti v ravnovesje. Izdelek peljite na servisni center, da rezilo nabrusijo, zamenjajo in uravnovesijo. Če trčite ob oviro in se izdelek ustavi, zamenjajte poškodovano rezilo. Pooblaščen servisna delavnica naj oceni, ali lahko rezilo izostrijo ali pa ga je treba zamenjati.

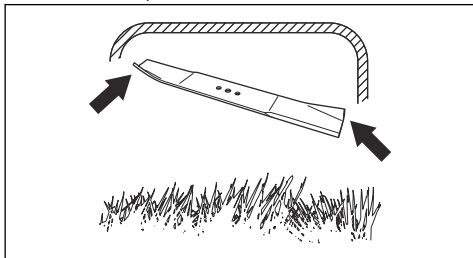
Odstranitev in zamenjava rezila

1. Rezilo blokirajte z leseno klado.

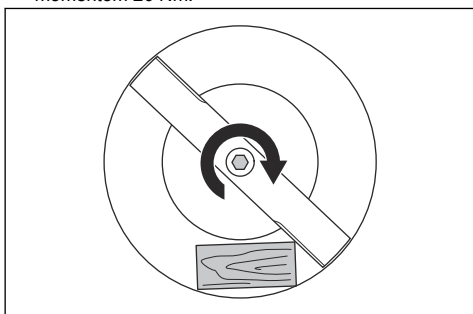


2. Odstranite vijak rezila.
3. Odstranite rezilo.
4. Preverite, ali sta nosilec in vijak rezila poškodovana.
5. Preverite motorno gred in se prepričajte, da ni zvita.

6. Ko pritržite novo rezilo, usmerite nagnjene strani rezila v smer pokrova rezila.



7. Prepričajte se, da je rezilo poravnano s središčem motorne gredi.
8. Rezilo blokirajte z leseno klado. Namestite vzmetno podložko in zategnite vijak in podložko z zateznim momentom 20 Nm.



9. Ročno zavrtnite rezilo in se prepričajte, da se prosto obrača.



OPOZORILO: Nosite trpežne rokavice. Rezilo je izjemno ostro, zato lahko hitro pride do ureznin.

10. Izdelek vklopite, da preizkusite rezilo. Če rezilo ni pritrjeno pravilno, bo izdelek vibriral, rezultat košnje pa ne bo zadovoljliv.

Odpravljanje težav

Baterija

LED na bateriji	Vzrok	Rešitev
Zeleni indikator LED utripa	Napetost baterije je prenizka.	Napolnite baterijo. Glejte <i>Polnjenje baterije na strani 663</i> .
Indikator LED za napa-ko utripa.	Napolnjenost baterije je nizka.	Napolnite baterijo. Glejte <i>Polnjenje baterije na strani 663</i> .
	Temperatura v delovnem okolju je previsoka ali prenizka.	Baterijo uporabljajte v okolju s temperaturami med $-10\text{ }^{\circ}\text{C}$ in $40\text{ }^{\circ}\text{C}$.
	Prenapetost.	Prepričajte se, ali je napetost omrežja enaka na- petosti, navedeni na tipski ploščici izdelka. Odstranite baterijo iz polnilnika. Počakajte 5 se- kund in baterijo poskusite napolniti znova. Če na- pake ne morete odpraviti, se obrnite na poobla- ščenege servisnega zastopnika.
Indikator LED za napa-ko sveti.	Razlika med celicami je prevelika (1 V).	Obrnite se na pooblaščenega servisnega zastop- nika.

Polnilnik baterije

LED na polnilniku baterije	Vzrok	Rešitev
Indikator LED za napako utripa.	Temperatura v delovnem okolju je previsoka ali prenizka.	Polnilnik baterije uporabljajte v okolju s temperaturami med 5 °C in 40 °C.
Indikator LED za napako sveti.		Obrnite se na pooblaščenega servisnega zastopnika.

Kontrolna plošča

Za težave, ki niso krite v tem poglavju, se obrnite za servisnega zastopnika.

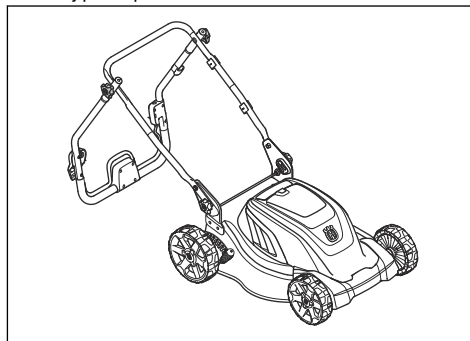
Tipkovnica	Možne napake	Možen ukrep
Dioda LED za napako utripa	Motor preobremenjen	Dvig višine košnje. Glejte <i>Nastavitev višine košnje na strani 662</i> .
	Število vrtljajev motorja pade preveč in motor se izklopi	
	Krmilnik motorja je prevroč	Izklopite motor in počakajte, da se ohladi
	Rezilo je blokirano	Neželen vklop preprečite tako, da varnostni ključ obrnete v položaj 0, odstranite baterijo in počakate vsaj 5 sekund. Prepričajte se, da se lahko rezilo neovirano vrti. Če se napaka ponavlja, se obrnite na pooblaščenega servisnega zastopnika
	Napaka baterije ali baterija ne oddaja signala	Baterijo pravilno vstavite v izdelek in preverite priključek baterije. Če indikator LED za napako utripa, glejte <i>Baterija na strani 663</i> .
Izdelek se ustavi	Napolnjenost baterije je nizka	Napolnite baterijo. Glejte <i>Polnjenje baterije na strani 663</i> .
	Napaka priključka baterije	Preverite priključek baterije

Transport skladiščenje in odstranitev

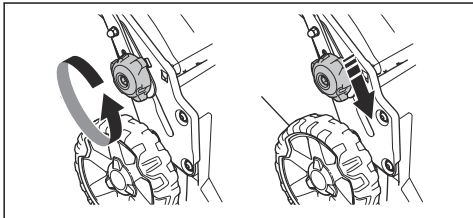
Nastavitev kosilnice v transportni položaj

1. Odstranite zbiralnik za travo, če je nameščen.

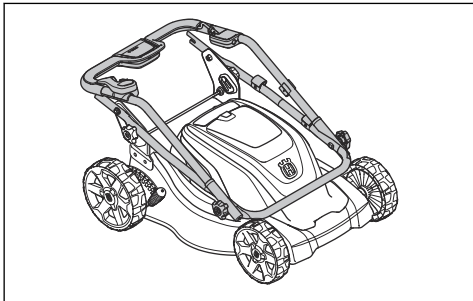
2. Sprostite gumbna vijaka na zgornjem delu ročaja in ročaj preklonite navzdol.



3. Sprostite spodnja gumbna vijaka.
4. Gumbna vijaka na levi in desni strani izdelka pomaknite v spodnji del utorov.



5. Ročaj prekopite naprej.



Prevoz

- Za vstavljene litij-ionske baterijske enote veljajo zahteve zakonodaje o nevarnem blagu.
- Pri transportu v komercialne namene morate upoštevati posebne zahteve, navedene na pakiranju in nalepkah.
- Pri pripravi izdelka za transport morate upoštevati uredbe za ravnanje z nevarnimi materiali. Veljajo lokalni predpisi.
- Baterijo pri prevozu vedno odstranite.
- Na priključke baterije namestite izolacijski trak in se prepričajte, da se baterija med transportom ne more premikati.
- Med izdelek pritrdite.

Skladiščenje

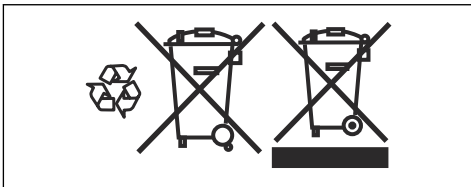
- Baterijo pri skladiščenju vedno odstranite.
- Za preprečevanje nesreč baterija med skladiščenjem ne sme biti priklopljena.

- Polnilnik baterije vedno hranite v zaprtem in suhem prostoru.
- Baterijo in polnilnik baterije hranite v zaprtem prostoru, kjer ni vlage ali nevarnosti zamrzovanja.
- Med shranjevanjem baterijo odstranite iz polnilnika.
- Baterijske ne shranjujte na mestu, kjer je lahko prisotna statična elektrika. Baterije ne shranjujte v kovinski škatli.
- Baterijo hranite v prostoru s temperaturo med 5 °C in 25 °C, ki je zaščiten pred neposredno sončno svetlobo.
- Polnilnik baterije hranite v prostoru s temperaturo med 5 °C in 45 °C, ki je zaščiten pred neposredno sončno svetlobo.
- Pred dolgotrajnejšim skladiščenjem mora biti baterija napolnjena med 30 % in 50 %.
- Izdelek, baterijo in polnilnik hranite v zaklenjenem prostoru, do katerega otroci in nepooblaščen osebe nimajo dostopa.
- Pred dolgotrajnejšim skladiščenjem izdelek očistite in opravite popoln servis.

Odlaganje

Simboli na izdelku ali njegovi embalaži opozarjajo, da izdelka ne smete obravnavati kot gospodinjstevskega odpadka. Odnesti ga je treba v ustrezno zbirališče, kjer bodo poskrbeli za recikliranje električnih in elektronskih naprav.

Z zagotavljanjem pravilne obravnave izdelka boste pomagali preprečiti njegov morebiten škodljiv učinek na okolje in ljudi, do katerega bi lahko prišlo, kot posledica nepravilnega upravljanja z odpadki. Podrobnejše informacije o recikliranju tega izdelka lahko dobite v svoji občini, v komunalnem podjetju ali v trgovini, kjer ste ga kupili.



Tehnični podatki

Tehnični podatki LC 141IV, LC 141i

	LC 141IV	LC 141i
Motor rezalne enote		
Tip motorja	BLDC (brezkrtačni enosmerni) 36 V	BLDC (brezkrtačni enosmerni) 36 V

	LC 141iV	LC 141i
Št. vrt. motorja – SavE, vrt/min	2700	2700
Št. vrt. motorja – nazivno, vrt/min	3100	3100
Št. vrt. motorja – visoka obremenitev, vrt/min	3700	3700
Najvišja izhodna moč motorja v kW	0,8	0,8
Nazivna izhodna moč motorja v kW	0,55	0,55
Pogonski motor		
Nazivna izhodna moč motorja v kW	0,25	Ni podatka
Hitrost samohodnega pogona, km/h	3,0–4,5	Ni podatka
Stopnje hitrosti	4	Ni podatka
Teža		
Teža brez baterije v kg	21,5	18,6
Akumulator ¹⁶²		
Vrsta baterije	Serija baterij Husqvarna	Serija baterij Husqvarna
Avtonomija baterije		
Avtonomija baterije, najkrajša, (prosto delovanje) z aktivirano funkcijo SavE, z eno baterijo Husqvarna z močjo 5,2 Ah (BLi200).	77	77
Avtonomija baterije, najkrajša, (prosto delovanje) z aktiviranim standardnim načinom, z eno baterijo Husqvarna moči 5,2 Ah (BLi200).	45	45
Emisije hrupa ¹⁶³		
Raven zvočne moči, izmerjena v dB(A)	88	88
Raven zvočne moči, zajamčena L _{WA} v dB(A)	89	89
Nivoji hrupa ¹⁶⁴		
Nivo zvočnega tlaka pri ušesu operaterja, dB(A)	83	83
Ravni vibracij ¹⁶⁵		
Ročaj, m/s ²	2,0	2,0
Košnja		
Višina reza v mm	25–70	25–70
Širina reza, cm	41	41
Rezilo, št. izdelka	Za zbiranje – 5011716-01	Za zbiranje – 5011716-01
Zmogljivost košare v litrih	50	50

¹⁶² Za čim boljše rezultate in zmogljivost je priporočena uporaba baterije Husqvarna BLi200.

¹⁶³ Emisije hrupa v okolje, merjene kot moč zvoka (L_{WA}), v skladu z direktivo ES 2000/14/ES.

¹⁶⁴ Zabeleženi podatki za nivo zvočnega tlaka imajo tipično statistično razpršitev (standardni odklon) 1,2 dB(A).

¹⁶⁵ Zabeleženi podatki za raven tresljajev imajo tipično statistično razpršitev (standardni odklon) v višini 0,2 m/s².

Homologirane baterije	Znamka	Vrsta	Zmogljivost baterije, Ah	Napetost, V	Teža, lb/kg
BLi10	Husqvarna	Litij-ionska	2,0	36	1,8/0,8
BLi100	Husqvarna	Litij-ionska	2,6	36	1,9/0,8
BLi20	Husqvarna	Litij-ionska	4,0	36	2,7/1,2
BLi200	Husqvarna	Litij-ionska	5,2	36	1,3/2,8
BLi300	Husqvarna	Litij-ionska	9,4	36	1,9/4,1

Odobreni polnilniki za določene baterije,	Znamka	Vhodna napetost, V	Frekvenca, Hz	Moč, W
QC80	Husqvarna	100–240	50–60	80
QC80F	Husqvarna	12	0	80
QC250	Husqvarna	220–240	50	250
QC330	Husqvarna	100–240	50–60	330
QC500	Husqvarna	100–240	50–60	500

Tehnični podatki LC 141C

LC 141C	
Motor	
Tip motorja	Zaporedni izmenični motor
Št. vrt. motorja – nazivno, vrt/min	3200
Moč	1800 W
Vir napajanja	Kabelski priklop na električno omrežje
Napajalni kabel (priložen samo za ZK)	
Vrsta kabla	Podaljšek 16M
Teža, kg	1,6
Teža	
Teža, kg	20,4
Emisije hrupa ¹⁶⁶	
Raven zvočne moči, izmerjena v dB (A)	93
Zajamčen nivo zvočne moči, L _{WA} dB(A)	95
Nivoji hrupa ¹⁶⁷	
Nivo zvočnega tlaka pri ušesu operaterja, dB(A)	85

¹⁶⁶ Emisije hrupa v okolje, merjene kot moč zvoka (L_{WA}), v skladu z direktivo ES 2000/14/ES.

¹⁶⁷ Zabeleženi podatki za nivo zvočnega tlaka imajo tipično statistično razpršitev (standardni odklon) 1,4 dB(A).

	LC 141C
Ravni vibracij ¹⁶⁸	
Ročaj, m/s ²	2,0
Košenje	
Višina reza, mm	25–70
Širina reza v cm	41
Rezilo, št. izdelka	Skupno 5011716–01
Zmogljivost košare, litri	50

¹⁶⁸ Zabeleženi podatki za raven vibracij imajo tipično statistično razpršitev (standardni odklon) v višini 0,2 m/s².

Izjava ES o skladnosti

Izjava ES o skladnosti

Husqvarna AB, SE-561 82 Huskvarna, Švedska, tel: +46-36-146500, izjavlja, da so **kosilnice Husqvarna LC 141iV in LC 141i** od serijske številke 2018XXXXXX dalje in **Husqvarna LC 141C** od serijske številke 2015XXXXXX skladne z zahtevami DIREKTIVE SVETA:

- z dne 8. junija 2011 o omejevanju uporabe nekaterih nevarnih snovi v električni in elektronski opremi, **2011/65/EU**
- z dne 17. maja 2006, ki se nanaša na stroje, **2006/42/ES**
- z dne 26. februarja 2014 o elektromagnetni združljivosti **2014/30/EU**
- z dne 8. maja 2000 o emisijah hrupa v okolje **2000/14/ES**

Za informacije v zvezi z emisijo hrupa glejte poglavje "Tehnični podatki".

Za certificiranje Husqvarna LC 141iV in LC 141i so bili uporabljeni naslednji standardi: **IEC 60335-2-77:2002, IEC 60335-1:2010+A1:2013, EN 55014-1:2017, EN 55014-2:2015, EN 61000-3-2:2014, EN 61000-3-3:2013, EN 62233:2008**

Za certificiranje Husqvarna LC 141C veljajo naslednji standardi: **EN 60335-1:2012+A11:2014, EN 60335-2-77:2010, EN 62233:2008, EN 55014-1:2017+A11, EN 55014-2:2015, EN 61000-3-2:2019, EN 61000-3-11:2019**

Priglašeni organ: **0404, RISE SMP Svensk Maskinprovning AB, Box 7035, SE-750 07 Uppsala** je opravil oceno skladnosti v skladu s priložo VI direktive 2000/14/ES.

Huskvarna, 2020-10-13



Claes Losdal, Vodja oddelka za razvoj vrtno opreme (Pooblaščen zastopnik družbe Husqvarna AB in odgovorni za sestavo tehnične dokumentacije.)

Sadržaj

Uvod.....	675	Rešavanje problema.....	696
Bezbednost.....	678	Transport, skladištenje i odlaganje.....	697
Sklapanje.....	687	Tehnički podaci.....	698
Rukovanje.....	689	EZ deklaracija o usaglašenosti.....	702
Održavanje.....	693		

Uvod

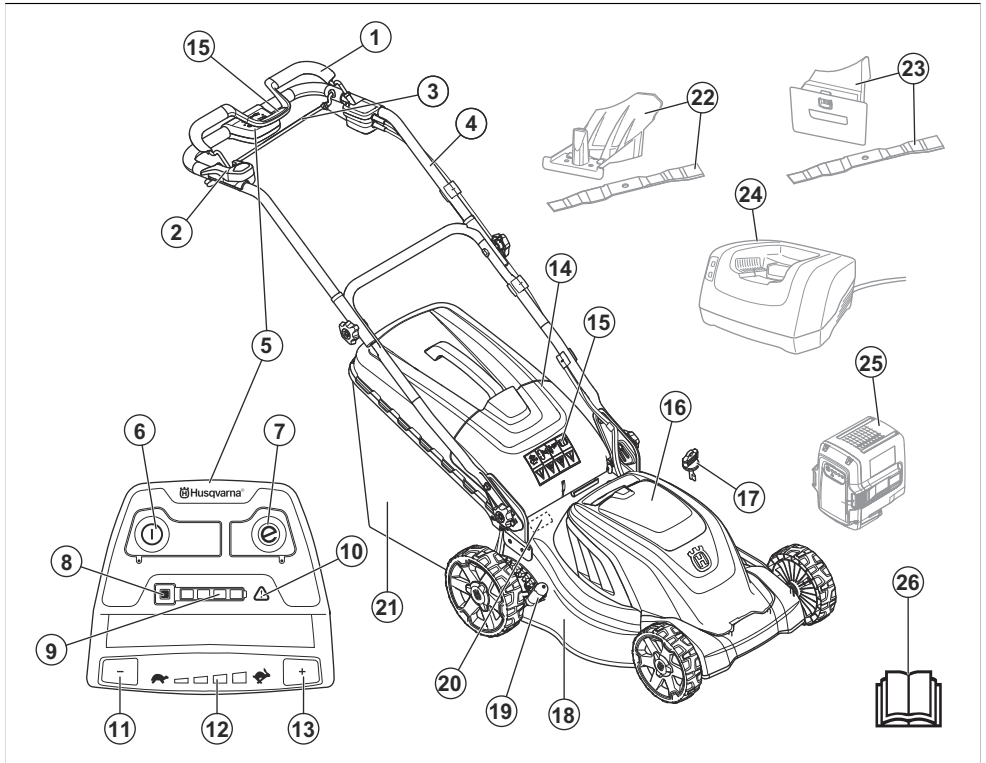
Opis proizvoda

Proizvod je rotaciona kosačica koju kontrolišete rukovalac. Trava se sakuplja u hvatač trave. Uklonite hvatač trave kako biste omogućili pražnjenje trave na zadnjoj strani. Postavite komplet za usitnjavanje (oprema) za košenje trave u đubrivo.

Namena

Koristite proizvod za košenje trave. Nemojte koristiti proizvod za druge zadatke.

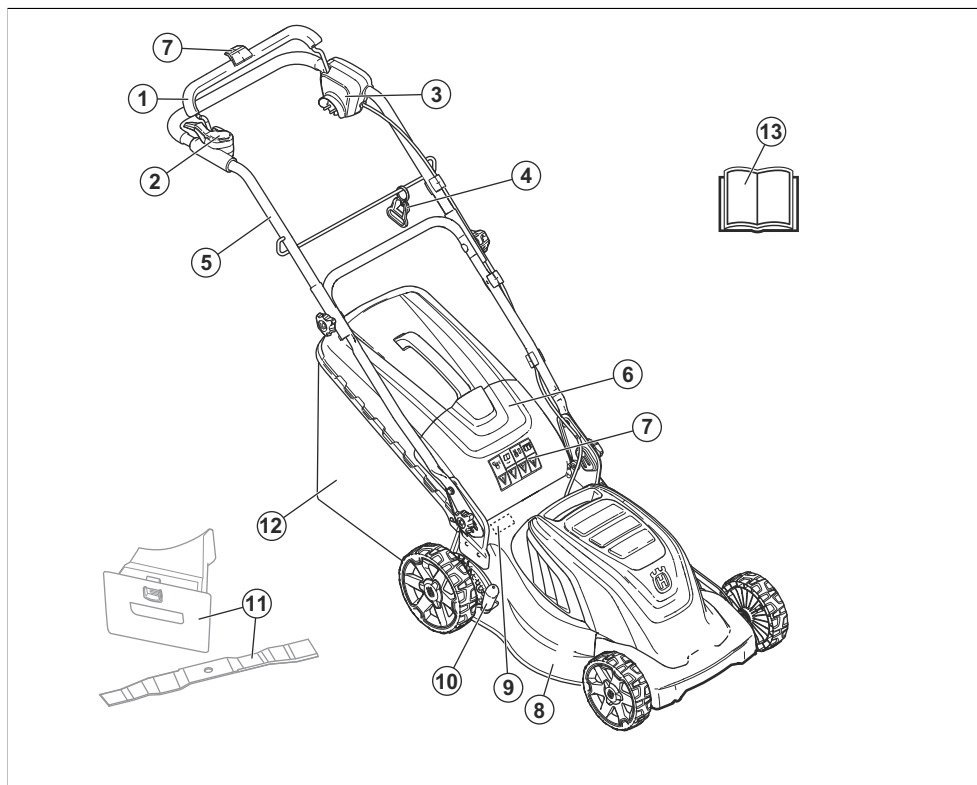
Pregled proizvoda LC 141iV / LC 141i



- | | |
|--------------------------------|---|
| 1. Ručica kočnice motora | 5. Kontrolna tabla |
| 2. Inhibitor pokretanja | 6. Dugme za uključivanje/isključivanje (ON/OFF) |
| 3. Pogonska osovina (LC 141iV) | 7. Dugme Save |
| 4. Ručka/upravljač | 8. Dugme indikatora akumulatora |

9. Indikator punjenja akumulatora
10. Indikator upozorenja (LED lampica greške)
11. Dugme za smanjenje brzine (LC 141iV)
12. Indikator nivoa brzine (LC 141iV)
13. Dugme za povećanje brzine (LC 141iV)
14. Zadnji poklopac
15. Simboli
16. Poklopac akumulatora
17. Bezbednosni ključ
18. Poklopac košenja
19. Poluga visine košenja
20. Nazivna pločica
21. Hvatač trave
22. Komplet za usitnjavanje (dodatak za LC 141iV)
23. Komplet za usitnjavanje (dodatak za LC 141i)
24. Punjač akumulatora (oprema)
25. Akumulator (oprema)
26. Korisničko uputstvo

Pregled proizvoda LC 141C



1. Ručica kočnice motora
2. Inhibitor pokretanja
3. Utičnica kabla za napajanje
4. Držač kabla za napajanje
5. Ručka/upravljač
6. Zadnji poklopac
7. Simboli
8. Poklopac košenja
9. Nazivna pločica
10. Poluga visine košenja
11. Priključak za usitnjavanje (oprema)
12. Hvatač trave
13. Korisničko uputstvo

Simboli na proizvodu



Ako se proizvod ne koristi na ispravan način i pažljivo može doći do telesnih povreda ili smrti

rukovaoca ili prisutnih osoba.



Pre korišćenja proizvoda, pročitajte korisničko uputstvo i budite sigurni da razumete njegov sadržaj.



Pazite da ljudi i životinje budu na bezbednoj udaljenosti od radnog područja.



Pazite na odbačene predmete i odskakivanja.



Upozorenje: Udaljite šake i stopala od rotirajućeg sečiva.



Upozorenje: Udaljite šake i stopala od rotirajućih delova.



Uklonite bezbednosni ključ pre održavanja proizvoda. (model LC 141iV/LC 141i)



Isključite proizvod iz priključka za struju pre održavanja proizvoda. (model LC 141C)

IPX1

IPX1 – Proizvod ima zaštitu od kapanja vode

(model LC 141iV/
LC 141i)

IPX4

IPX4 – Proizvod ima zaštitu od prskanja vode (model LC 141C)



Nemojte dozvoliti da kiša pada na proizvod (model LC 141iV/
LC 141i)



Upozorenje: Nemojte rukovati proizvodom preko kabla za napajanje jer to može rezultirati strujnim udarom ili oštećenjem proizvoda. (model LC 141C)



Ovaj proizvod je u saglasnosti sa važećim Direktivama EZ.



Emisije buke u životnoj sredini prema direktivi Evropske zajednice. Emisije proizvoda su navedene u poglavlju Tehnički podaci i na nalepnici.

Jednosmerna struja. 36
V



Dvostruka izolacija.



Reciklirajte ovaj proizvod na lokaciji za recikliranje električne i elektronske opreme. (Odnosi se samo na Evropu)



Postupak pokretanja za model LC 141iV/ LC 141i: pritisnite dugme za uključivanje/ isključivanje (ON/OFF), otpustite inhibitor pokretanja, pritisnite nadole ručicu kočnice motora.



Postupak pokretanja za model LC 141C: otpustite inhibitor

pokretanja, pritisnite nadole ručicu kočnice motora.



Otpustite ručicu kočnice motora za zaustavljanje.



Sporo



Brzo



Kôd koji se može skenirati

Napomena: Ostali simboli/nalepnice koji su navedeni na proizvodu važe za specifične zahteve sertifikata na određenim tržištima.

Odgovornost za proizvod

Kako je izloženo u zakonima o odgovornosti za proizvode, mi nismo odgovorni za oštećenja prouzrokovana našim proizvodom u sledećim slučajevima:

- proizvod je popravljen na pogrešan način
- proizvod je popravljen korišćenjem delova koji nisu napravljeni ili odobreni od strane proizvođača
- proizvod ima opremu koja ne potiče ili nije odobrena od strane proizvođača
- proizvod nije popravljen u ovlašćenom servisnom centru ili od strane ovlašćenog stručnjaka

Bezbednost

Bezbednosne definicije

Upozorenja, mere opreza i napomene se koriste da ukažu na naročito važne delove korisničkog uputstva.



UPOZORENJE: Koristi se ako, usled nepoštovanja uputstava, postoji rizik od nastanka telesnih povreda ili smrti kod rukovaoca ili prisutnih osoba.



OPREZ: Koristi se ako, usled nepoštovanja uputstava, postoji rizik od

nastanka oštećenja na proizvodu, drugim materijalima ili susednim oblastima.

Napomena: Koristi se za pružanje više informacija koje su neophodne u datoj situaciji.

Opšta bezbednosna uputstva



UPOZORENJE:
Pročitajte upozoravajuća

uputstva koja slede pre korišćenja proizvoda.

- Proizvod je opasan ako se koristi na nepravilan način ili ako niste oprezni. Može doći do telesne povrede ili smrti ako se ne pridržavate bezbednosnih uputstava.
 - Ovaj proizvod pri radu stvara elektromagnetno polje. Ovo polje u određenim uslovima može da izazove smetnje na aktivnim i pasivnim medicinskim implantatima. U cilju smanjenja rizika od uslova nastanka teških ili smrtnih telesnih povreda, preporučujemo osobama koje imaju medicinske implantate da se pre upotrebe ovog proizvoda konsultuju sa lekarom ili proizvođačem implantata.
 - Uvek budite pažljivi i koristite zdrav razum. Ako niste sigurni kako da rukujete proizvodom u određenoj situaciji, prekinite rad i obratite se Husqvarna prodavcu pre nastavka rada.
 - Imajte na umu da će se rukovalac smatrati odgovornim za nesrećne slučajeve koji uključuju druge osobe ili njihovu imovinu.
- Održavajte proizvod čistim. Pobrinite se da jasno možete pročitati znakove i nalepnice.
 - Nikada nemojte dozvoliti deci ili osobama koje nisu pročitale ova uputstva da koriste uređaj. Uzrast rukovaoca je možda ograničen lokalnim propisima
 - Uvek nadzirite osobu sa smanjenim fizičkim ili mentalnim sposobnostima koja koristi proizvod. Odgovorna odrasla osoba mora biti prisutna sve vreme.
 - Nemojte da koristite proizvod kada ste umorni, bolesni ili pod uticajem alkohola, droge ili lekova. To ima negativan uticaj na vašu moć vida, opreznost, koordinaciju i rasuđivanje.
 - Nemojte da koristite proizvod ako je pokvaren.
 - Nemojte vršiti izmene na proizvodu i nemojte koristiti proizvod ako postoji mogućnost da su druge osobe vršile izmene na njemu.

Bezbednost u radnom području



UPOZORENJE:

Pročitajte upozoravajuća uputstva koja slede pre korišćenja proizvoda.

- Uklonite predmete kao što su grane, grančice i kamenje iz radnog područja pre nego što počnete da koristite proizvod.
- Predmeti koji udare o opremu za košenje mogu da budu izbačeni i izazovu povredu osoba ili oštećenje predmeta. Pazite da prisutne osobe i životinje budu na bezbednoj udaljenosti od proizvoda.
- Nikada nemojte koristiti proizvod u lošim vremenskim uslovima kao što su magla, kiša, jak vetar, intenzivna hladnoća i kada postoji opasnost od pojave munja. Korišćenje proizvoda u lošim vremenskim uslovima ili na vlažnim lokacijama je zamorno. Loši vremenski uslovi mogu da izazovu opasne okolnosti, kao što su klizave površine.
- Vodite računa o osobama, predmetima i situacijama koji bi mogli da spreče bezbedan rad proizvoda.
- Pazite na prepreke, kao što su korenje, kamenje, grančice, jame i jarci. Visoka trava može da sakrije prepreke.
- Košenje trave na nagibima može biti opasno. Ne kosite na izuzetno strmim nagibima. Nemojte koristiti proizvod na

terenu koji ima nagib veći od 15°

- Strogo vodite računa pri promeni smera na nagibima. Rukujte proizvodom preko prednjih strana nagiba. Nemojte ga pomerati gore i dole.
- Budite pažljivi kada se približavate skrivenim uglovima i predmetima koji bi mogli da blokiraju vaš vidik.

Bezbednost na radu



UPOZORENJE:

Pročitajte upozoravajuća uputstva koja slede pre korišćenja proizvoda.

- Koristite ovaj proizvod samo za košenje travnjaka. Nije dozvoljeno njegovo korišćenje za druge zadatke.
- Koristite ličnu zaštitnu opremu. Pogledajte *Lična zaštitna oprema na stranici 682*.
- Naučite kako da brzo zaustavite motor u slučaju opasnosti.
- Nemojte raditi sa proizvodom po kiši ili u vlažnim uslovima. Opasnost od strujnog udara se povećava ako voda prodre u proizvod.

- Nemojte raditi sa proizvodom ako sečivo i svi poklopci nisu pravilno postavljeni. Nepravilno postavljeno sečivo se može otkačiti i prouzrokovati telesnu povredu.
- Pobrinite se da sečivo ne udara o predmete kao što su kamenje ili korenje. To može dovesti do oštećenja sečiva i savijanja osovine motora. Savijena osovina proizvodi velike vibracije i postoji povećana opasnost da se sečivo olabavi.
- Ako sečivo udari o predmet ili ako se pojave vibracije, odmah zaustavite proizvod. Zaustavite motor, okrenite bezbednosni ključ u položaj 0 i uklonite akumulator (model LC 141iV i LC 141i) ili iskopčajte kabl za napajanje (model LC 141C). Pregledajte proizvod u pogledu oštećenja. Otklonite oštećenja ili dozvolite ovlašćenom servisnom agentu da izvrši popravku.
- Nikada nemojte postavljati ručicu kočnice motora trajno na ručku kada je motor pokrenut.
- Postavite proizvod na stabilnu, ravnu površinu i pokrenite ga. Vodite računa da sečivo ne dodiruje tlo ili druge predmete.
- Uvek stojte iza proizvoda kada radite sa njim.
- Vodite računa da svi točkići ostanu na tlu i držite dve ruke na ručki kada rukujete proizvodom. Udaljite šake i stopala od rotirajućih sečiva.
- Nemojte naginjati proizvod kada je motor pokrenut.
- Budite pažljivi kada povlačite proizvod unazad.
- Nikada nemojte podizati proizvod kada je motor pokrenut. Ako morate podići proizvod, prvo zaustavite motor, okrenite bezbednosni ključ u položaj 0 i uklonite akumulator (model LC 141iV i LC 141i) ili iskopčajte kabl za napajanje (model LC 141C).
- Nemojte hodati unazad kada radite sa proizvodom.
- Zaustavite motor kada se krećete preko područja bez trave, na primer, stazica napravljenih od šljunka, kamena i asfalta.
- Nemojte trčati sa proizvodom kada je motor pokrenut. Uvek hodajte kada radite sa proizvodom.
- Zaustavite motor pre nego što promenite visinu košenja. Nikada nemojte da vršite

podešavanja dok je motor pokrenut.

- Nikada nemojte dozvoliti da proizvod ostane bez nadzora dok je motor pokrenut. Zaustavite motor i uverite se da se oprema za košenje ne okreće.

Bezbednosna uputstva za rad

Lična zaštitna oprema



UPOZORENJE:

Pročitajte upozoravajuća uputstva koja slede pre korišćenja proizvoda.

- Lična zaštitna oprema ne može da u potpunosti spreči telesnu povredu, ali ona umanjuje stepen telesne povrede ako dođe do nesrećnog slučaja. Neka vam vaš prodavac pomogne u izboru odgovarajuće opreme.
- Nosite čvrste nekližuće cizme ili cipele. Nemojte nositi obuću sa otvorenim prstima ili ići bosonogi.
- Uvek nosite duge pantalone od čvrstog materijala.
- Nosite zaštitne rukavice po potrebi, na primer, kada pričvršćujete, pregledate ili čistite opremu za košenje.

Bezbednosni uređaji na proizvodu



UPOZORENJE: Pročitajte upozoravajuća uputstva koja slede pre korišćenja proizvoda.

- Nemojte koristiti proizvod na kojem su oštećeni bezbednosni uređaji.
- Redovno proveravajte bezbednosne uređaje. Ako su bezbednosni uređaji neispravni, obratite se svom Husqvarna servisnom agentu.

Provera poklopca mehanizma za košenje

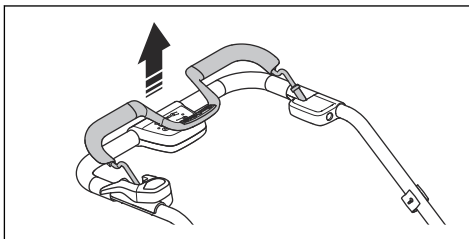
Poklopac mehanizma za košenje smanjuje vibracije u proizvodu, kao i rizik od povrede nožem.

- Pregledajte poklopac košenja kako biste se uverili da nema oštećenja kao što su naprsline.

Ručica kočnice motora

Ručica kočnice motora zaustavlja motor. Kada je ručica kočnice motora otpuštena, motor se zaustavlja.

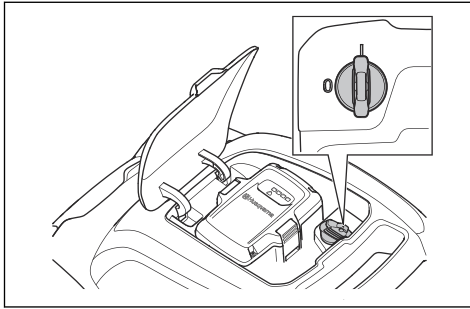
Da biste izvršili proveru kočnice motora, pokrenite motor a zatim otpustite ručicu kočnice motora. Ako se motor ne zaustavi u roku od 3 sekunde, neka ovlašćeni Husqvarna servisni agent izvrši podešavanje kočnice motora.



Bezbednosni ključ (modeli LC 141IV i LC 141I)

Bezbednosni ključ se nalazi ispod poklopca akumulatora. Bezbednosni ključ povezuje akumulator koji snabdeva motor napajanjem.

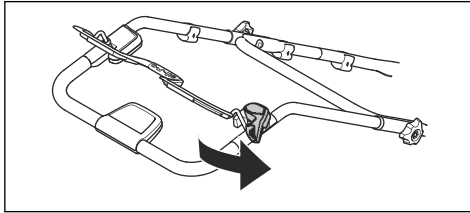
- Pokrenite i zaustavite motor da biste izvršili proveru bezbednosnog ključa.
- Ako bezbednosni ključ ispravno funkcioniše, motor se pokreće samo kada je ključ u položaju 1.



Provera inhibitora pokretanja

Izvršite proveru inhibitora pokretanja kako biste se uverili da sprečava rad motora.

1. Pritisnite ručicu kočnice motora u smeru upravljača. Inhibitor pokretanja zaustavlja kretanje.
2. Pritisnite inhibitor pokretanja ka spolja.



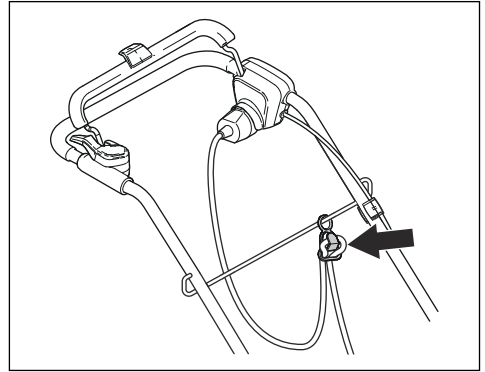
3. Otpustite inhibitor pokretanja i uverite se da se vraća u početni položaj.

Korišćenje držača kablova za napajanje (model LC 141C)

Držać kablova za napajanje smanjuje pritisak na utičnicu napajanja i kabl za napajanje. Držać kablova za napajanje takođe smanjuje vaš rizik od pada.

1. Savijte kabl za napajanje u malu petlju.
2. Postavite petlju u otvor na držaču kablova za napajanje.
3. Stavite petlju oko kuke.

4. Povucite kabl za napajanje kako biste zategnuli petlju oko kuke.



Bezbedna upotreba akumulatora



UPOZORENJE:

Pročitajte upozoravajuća uputstva koja slede pre korišćenja proizvoda.

- Koristite Husqvarna punjive akumulatorne kao izvor napajanja samo za odgovarajuće Husqvarna proizvode. Kako bi se sprečila povreda, nemojte koristiti akumulator kao izvor napajanja za druge uređaje.
- Nemojte koristiti akumulatorne koji se ne mogu puniti.
- Opasnost od strujnog udara. Nemojte povezivati terminale akumulatora na ključeve, kovanice, vijke ili druge metalne predmete. To može dovesti do kratkog spoja akumulatora.

- Nemojte stavljati predmete u proreze za vazduh akumulatora.
- Držite akumulator tako da ne bude izložen sunčevoj svetlosti, toploti ili otvorenom plamenu. Akumulator može da eksplodira i izazove opekotine i/ili hemijske opekotine.
- Držite akumulator tako da ne bude izložen kiši i vlažnim uslovima.
- Držite akumulator dalje od mikrotalasnih pećnica i visokog pritiska.
- Nemojte pokušavati da rastavite ili lomite akumulator.
- Ako akumulator curi, ne dozvolite da vam ta tečnost dospe na kožu ili u oči. Ako ste dodirnuli tečnost, isperite površinu velikom količinom vode i obratite se doktoru.
- Koristite akumulator na temperaturama između -10 °C i 40 °C.
- Nemojte čistiti akumulator ili punjač akumulatora vodom. Pogledajte *Čišćenje akumulatora i punjača akumulatora na stranici 694*.
- Nemojte koristiti defektan ili oštećen akumulator.
- Držite akumulatore uskladištene tako da budu udaljeni od metalnih predmeta

kao što su ekseri, kovanice, nakit.

Bezbedna upotreba punjača akumulatora



UPOZORENJE:

Pročitajte upozoravajuća uputstva koja slede pre korišćenja proizvoda.

- Koristite QC punjače akumulatora samo za punjenje Husqvarna zamenskih akumulatora.
- Opasnost od strujnog udara ili kratkog spoja. Nemojte stavljati predmete u proreze za vazduh punjača. Nemojte pokušavati da rasklopite punjač akumulatora. Nemojte povezivati terminale punjača na metalne predmete. Koristite odobrenu mrežnu utičnicu.
- Ovaj proizvod pri radu stvara elektromagnetno polje. Ovo polje u određenim uslovima može da izazove smetnje na aktivnim i pasivnim medicinskim implantima. U cilju smanjenja rizika od uslova od nastanka teških ili smrtnih povreda, preporučujemo osobama koje imaju medicinske implante da se pre upotrebe ovog uređaja

- konsultuju sa lekarom ili proizvođačem implanta.
- Redovno proveravajte da kabl za napajanje punjača akumulatora nije oštećen i da na njemu ne postoje naprsline.
 - Nemojte podizati punjač akumulatora za kabl za napajanje. Da biste iskopčali punjač akumulatora sa mrežne utičnice, povucite utikač. Ne vucite kabl za napajanje.
 - Držite kabl za napajanje i produžni kabl dalje od vode, ulja i oštrih ivica. Uverite se da kabl nije priklješten vratima, ogradom ili sličnim stvarima. Time punjač može da dođe pod napon.
 - Nemojte čistiti punjač akumulatora vodom.
 - Punjač akumulatora mogu koristiti deca uzrasta 8 godina i starija i osobe sa smanjenim fizičkim, senzornim ili mentalnim sposobnostima ili nedostatkom iskustva i znanja ako su pod nadzorom ili su upućeni u pogledu korišćenja punjača akumulatora na bezbedan način i razumeju povezane opasnosti. Deca ne smeju da se igraju sa punjačem akumulatora. Deca ne smeju da čiste i održavaju uređaj bez nadzora.
 - Nemojte puniti akumulator koji se ne pune u punjaču akumulatora.
 - Nemojte koristiti punjač akumulatora u blizini zapaljivih materijala ili materijala koji mogu da izazovu koroziju. Nemojte pokrivati punjač akumulatora. Izvucite utikač kabla iz punjača akumulatora ako se pojave dim ili vatra.
 - Nemojte koristiti defektan ili oštećen punjač akumulatora.
 - Akumulator puniti samo u zatvorenom prostoru u prostoriji sa dobrom ventilacijom i podalje od sunčeve svetlosti. Nemojte puniti akumulator u vlažnim uslovima.

Bezbedna upotreba kabla za napajanje

Za model LC 141C.

- Korišćenje uređaja za rezidualnu struju (R.C.D.) sa prekidnom strujom ne većom od 30 mA se preporučuje. Čak i sa postavljenim uređajem za rezidualnu struju, 100% bezbednost se ne može garantovati i potrebno je sve vreme pridržavati se bezbednih radnih procedura. Prilikom svakog korišćenja proverite uređaj za rezidualnu struju.

- Odmah iskopčajte iz električne mreže ako je kabl za napajanje presečen ili ako se izolacija ošteti.
- Nemojte dodirivati presečeni ili oštećeni kabl za napajanje dok se ne isključi električno napajanje.
- Ne popravljajte presečen ili oštećen kabl za napajanje. Zamenite ga novim.

Bezbednosna uputstva za održavanje



UPOZORENJE: Pročitajte upozoravajuća uputstva koja slede pre korišćenja proizvoda.

- Za model LC 141iV, LC 141i: Kako biste sprečili slučajno pokretanje tokom održavanja, okrenite bezbednosni ključ u položaj 0 i uklonite akumulator. Sačekajte najmanje 5 sekundi pre nego što počnete da vršite održavanje.
 - Za model LC 141C: Kako biste sprečili slučajno pokretanje tokom održavanja, iskopčajte kabl za napajanje.
 - Pravilno vršite rad na održavanju kako biste povećali radni vek proizvoda i smanjili rizik od nesrećnih slučajeva. Neka ovlašćeni servisni agent izvrši stručne popravke.
- Obratite se najbližem servisnom agentu za više informacija.
 - Vršite samo one radove na održavanju proizvoda koji su navedeni u ovom korisničkom uputstvu. Svaki veći rad mora da izvrši ovlašćeni servisni agent.
 - Nosite čvrste rukavice kada koristite opremu za košenje. Sečivo je veoma oštro i lako dolazi do posekotina.
 - Održavajte rezne ivice ostrim i čistim kako biste dobili najbolje i najbezbednije performanse.
 - Neka servisni agent redovno proverava proizvod i vrši potrebna podešavanja i popravke.
 - Zamenite oštećene, pohabane ili pokvarene delove.
 - Pridržavajte se uputstava za zamenu opreme. Koristite samo opremu od proizvođača.
 - Kada se ne koriste, čuvajte proizvod, akumulator i punjač akumulatora odvojeno na suvom i zaključanom zatvorenom mestu. Pobrinite se da deca i neovlašćene osobe ne mogu imati pristup proizvodu, akumulatoru ili punjaču akumulatora.

Sklapanje

Uvod



UPOZORENJE: Pre sklapanja proizvoda, pročitajte poglavlje o bezbednosti.

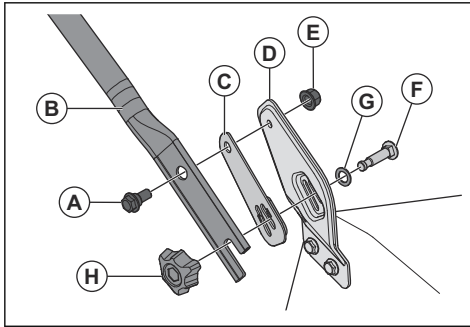


UPOZORENJE: Za model LC 141iV, LC 141i: Kako biste sprečili slučajno pokretanje tokom sklapanja, okrenite bezbednosni ključ u položaj 0, uklonite akumulator i sačekajte najmanje 5 sekundi.

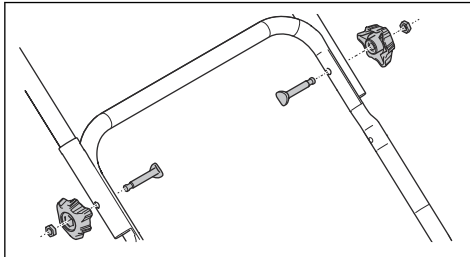
Za model LC 141C: Kako biste sprečili slučajno pokretanje tokom sklapanja, iskopčajte kabl za napajanje.

Sklapanje ručke

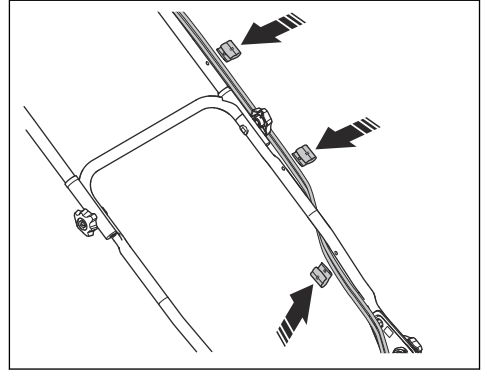
1. Gurnite zavrtnj (A) kroz ručku (B), plastičnu podlošku (C) i osloni nosač na ručki (D).



2. Potpuno pritegnite navrtku (E).
3. Gurnite zavrtnj (F) kroz podlošku (G) i osloni nosač na ručki.
4. Potpuno zategnite dugme (H).
5. Poravnajte otvore na upravljaču sa otvorima na donjoj ručki i postavite zavrtnje, podloške i dugmad. Potpuno zategnite dugmad.

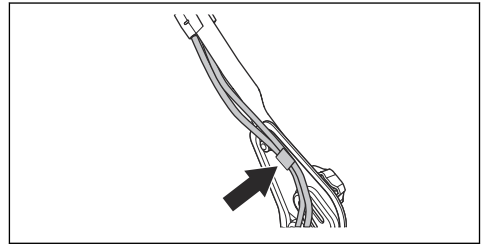


6. Postavite kablove na ručku sa držačima kablova.



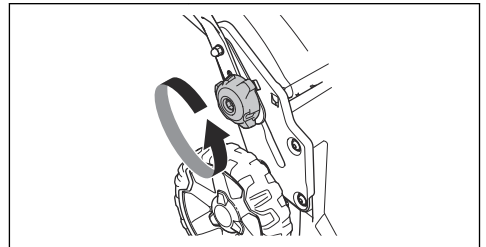
Napomena: Uverite se da zategnutost kablova nije prevelika. Prevelika zategnutost može izazvati oštećenje kabla ako se ručka savije u položaj za transport.

7. Postavite kablove oko kuke na dnu ručke.



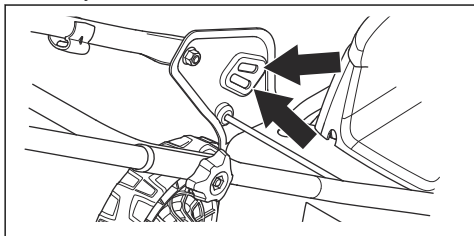
Podešavanje visine ručke

1. Olabavite donju dugmad.

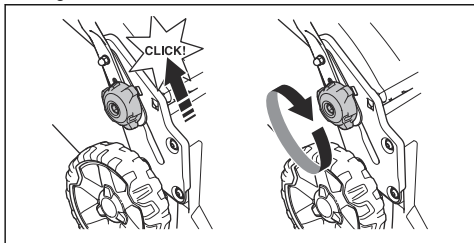


2. Uklonite dugme, podlošku i zavrtnj na levoj i desnoj strani.

3. Ručka se može postaviti u 2 različite visine. Postavite zavrtnj u jedan od 2 otvora na levoj i desnoj strani.

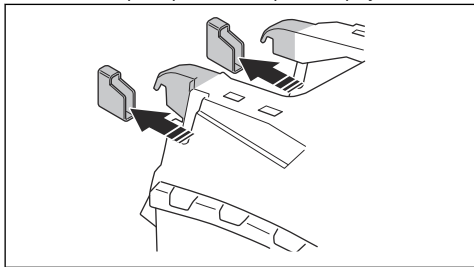


4. Postavite zavrtnje, podloške i dugmad.
5. Pomerite dugmad nagore u smeru ručke dok se zaustave i ne čujete klik zvuk. Potpuno zategnite dugmad.

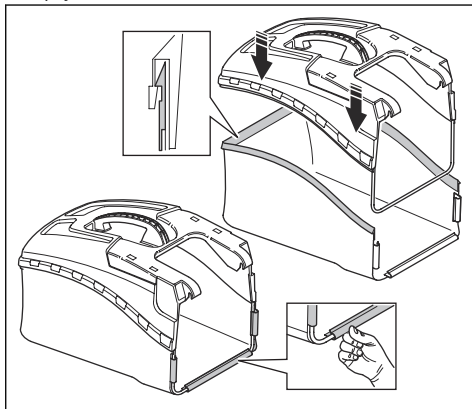


Skapanje hvatača trave

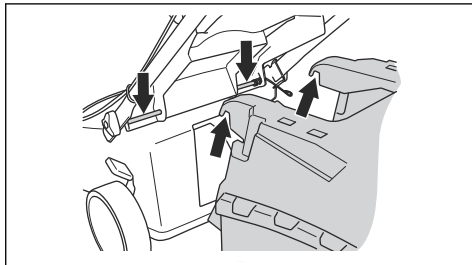
1. Pritisnite 2 poklopca za transport ka spolja i nadole.



2. Postavite gornji deo hvatača trave na donji deo hvatača trave. Pričvrstite okvir hvatača trave spojnicama.

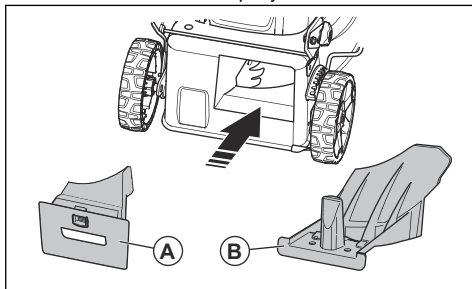


3. Podignite zadnji poklopac.
4. Postavite kuke na hvatač trave do gornje ivice šasije.



Skapanje kompleta za usitnjavanje

1. Podignite zadnji poklopac i uklonite hvatač trave.
2. Postavite priključak za usitnjavanje u kanal za pražnjenje trave. Priključak za usitnjavanje tipa A je za LC 141i i LC 141C. Tip B je za LC 141iV.



3. Zatvorite zadnji poklopac.
4. Zamenite sečivo Combi sečivom, pogledajte *Uklanjanje i zamena sečiva na stranici 695.*

Rukovanje

Uvod



UPOZORENJE: Pre rada sa proizvodom, morate pročitati i razumeti poglavlje o bezbednosti.

Husqvarna Connect

Husqvarna Connect je besplatna aplikacija za mobilne uređaje. Aplikacija Husqvarna Connect pruža proširene funkcije za proizvod Husqvarna:

- Dodatne informacije o proizvodu.
- Informacije o delovima proizvoda i servisiranju i pomoći u vezi s njima.

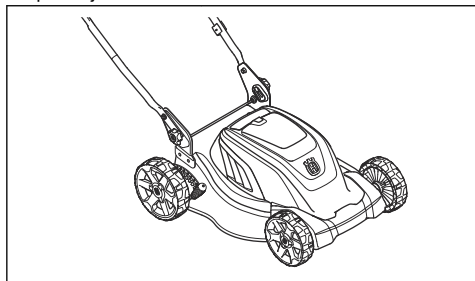
Da biste počeli koristiti Husqvarna Connect

1. Preuzmite aplikaciju Husqvarna Connect na svoj mobilni uređaj.
2. Registrujte se u aplikaciji Husqvarna Connect.
3. Pratite uputstva u aplikaciji Husqvarna Connect da biste se spojili i registrovali proizvod.

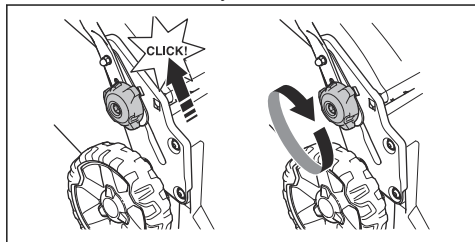
Stavljanje proizvoda u položaj za rad

Ako je ručka postavljena u položaj za transport i skladištenje (pogledajte *Stavljanje proizvoda u položaj za transport na stranici 697*), izvršite postupak koji sledi kako biste postavili ručku u položaj za rad.

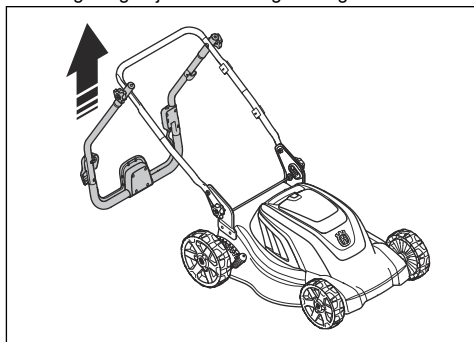
1. Podignite ručku dok se donja ručka ne zaključa u položaj za rad.



2. Pomerite donju dugmad nagore u smeru ručke dok se ne zaustave i ne čujete klik zvuk.

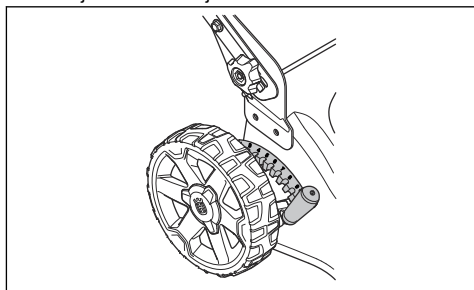


3. Zategnite dugmad.
4. Podignite gornju ručku i zategnite dugmad.



Podešavanje visine košenja

1. Pomerite polugu visine košenja unazad da biste povećali visinu košenja.
2. Pomerite polugu visine košenja unapred da biste smanjili visinu košenja.



OPREZ: Nemojte postavljati visinu košenja suviše nisko. Sečiva mogu da udare o tlo ako površina travnjaka nije ujednačena.

Akumulator

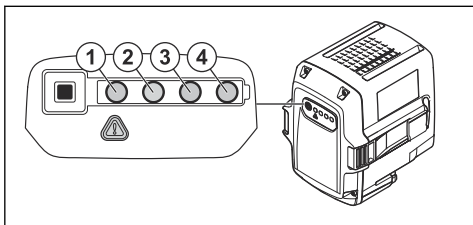


UPOZORENJE: Pre korišćenja akumulatora, morate pročitati i razumeti poglavlje o bezbednosti. Takođe morate pročitati i razumeti korisničko uputstvo za akumulator i punjač akumulatora.

Status akumulatora

Displej prikazuje preostali kapacitet akumulatora kao i da li postoje problemi sa akumulatorom. Kapacitet akumulatora se prikazuje 5 sekundi nakon isključivanja proizvoda ili pritiska na dugme indikatora akumulatora. Simbol upozorenja na akumulatoru se prikazuje kada je

došlo do greške. Pogledajte *Akumulator na stranici 696*.



LED lampice	Status akumulatora
Sve LED lampice svetle	Potpuno napunjeno (75-100%)
LED br. 1, LED br. 2, LED br. 3 svetle	Akumulator je 50%-75% napunjen
LED br. 1, LED br. 2 svetle	Akumulator je 25%-50% napunjen
LED br. 1 svetli	Akumulator je 0%-25% napunjen.
LED br. 1 trepće	Akumulator je prazan. Napunite akumulator.

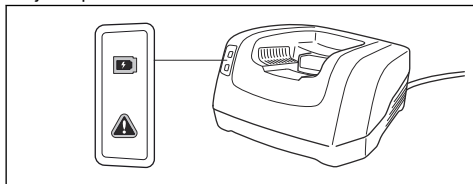
Punjenje akumulatora

Napunite akumulator pre prvog korišćenja. Akumulator je samo 30% napunjen prilikom isporuke kupcu.

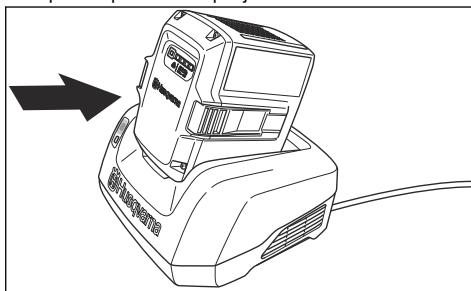
Napomena: Punjač akumulatora je potrebno povezati na napon i frekvenciju navedenu na nazivnoj pločici.

Akumulator se ne puni ako je temperatura akumulatora iznad 50 °C. Punjač akumulatora smanjuje temperaturu akumulatora pre početka punjenja.

1. Povežite jedan kraj kabla za napajanje za punjač akumulatora u utičnicu punjača akumulatora.
2. Povežite drugi kraj kabla za napajanje za punjač akumulatora u uzemljenu mrežnu utičnicu. LED lampica na punjaču akumulatora trepće zeleno jedanput.



3. Stavite akumulator u punjač akumulatora. Zelena lampica na punjaču svetli kada je akumulator ispravno povezan na punjač akumulatora.



4. Akumulator je potpuno napunjen kada na njemu svetle sve LED lampice. Punite akumulator najviše 24 sata.
5. Da biste iskopčali punjač akumulatora iz mrežne utičnice, povucite utikač, a ne kabl za napajanje.
6. Izvadite akumulator iz punjača akumulatora.

Status punjenja akumulatora

Husqvarna litijum-jonski akumulator se može puniti ili koristiti na svim nivoima punjenja. Akumulator nije oštećen. Potpuno napunjen akumulator neće smanjiti punjenje kada je akumulator ostavljen na punjaču.

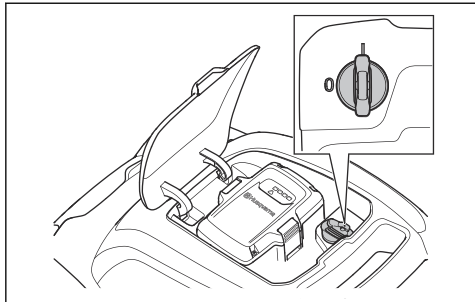
LED displej	Status punjenja
LED br. 1 trepće	0%-25%
LED br. 1 svetli, LED br. 2 trepće	25%-50%
LED br. 1, LED br. 2 svetle, LED br. 3 trepće	50%-75%
LED br. 1, LED br. 2, LED br. 3 svetle, LED br. 4 trepće	75%-100%
LED br. 1, LED br. 2, LED br. 3, LED br. 4 svetle	Potpuno napunjeno

Rad sa LC 141iV i LC 141i

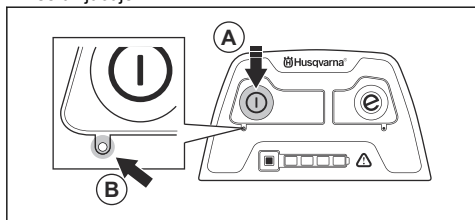
Pokretanje proizvoda

1. Stavite napunjen akumulator u odeljak za akumulator.

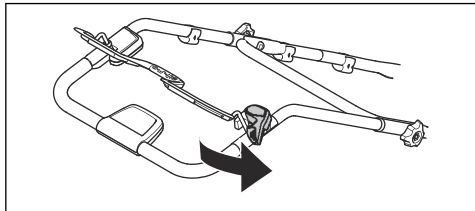
- Okrenite bezbednosni ključ u položaj 1.



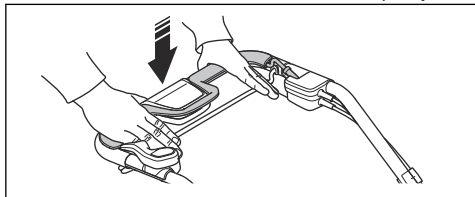
- Stanite iza proizvoda.
- Pritisnite dugme za uključivanje/isključivanje (ON/OFF) (A) na kontrolnoj tabli i zelena LED lampica (B) se uključuje.



- Olabavite inhibitor pokretanja.

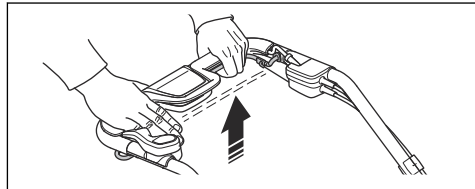


- Pritisnite ručicu kočnice motora u smeru upravljača.

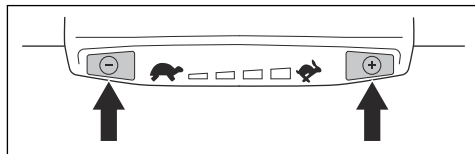


Korišćenje pogona na točkicama

- Model LC 141iV. Povucite pogonsku osovinu u smeru upravljača da bi se pokrenuo pogon.



- Pritisnite + i - na kontrolnoj tabli da biste postavili brzinu u 4 koraka.

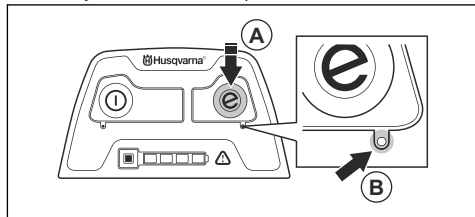


- Otpustite pogonsku osovinu da biste deaktivirali pogon, na primer, kada se nalazite blizu prepreke.

Korišćenje funkcije SavE

Proizvod ima funkciju uštede akumulatora (SavE) koja pruža duže vreme rada.

- Pritisnite dugme SavE (A) da biste pokrenuli funkciju. Zelena LED lampica svetli.



- Ponovo pritisnite dugme SavE da biste zaustavili funkciju. Zelena LED lampica (B) se isključuje.

Funkcija SavE se automatski zaustavlja ako uslovi tla zahtevaju veću izlaznu snagu. Funkcija SavE se automatski pokreće kada uslovi tla to dozvoljavaju.

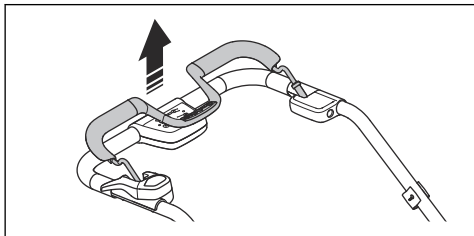
Funkcija velikog opterećenja

Kada se proizvodom kosi visoka ili vlažna trava, motor automatski povećava broj obrtaja. Motor se vraća u standardni režim kada veliko opterećenje nije potrebno.

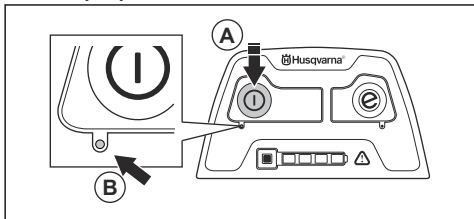
Zaustavljanje proizvoda

Proizvod se automatski zaustavlja ako ne radite sa njim tokom 10 minuta. Uvek okrenite bezbednosni ključ u položaj 0 pre nego što ostavite proizvod bez nadzora.

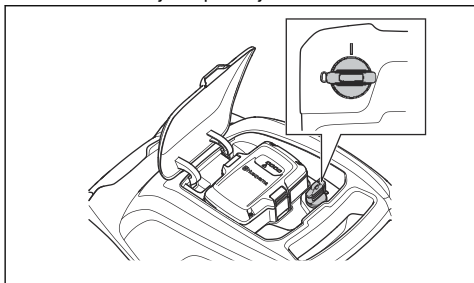
1. Otpustite ručicu kočnice motora da biste zaustavili motor.



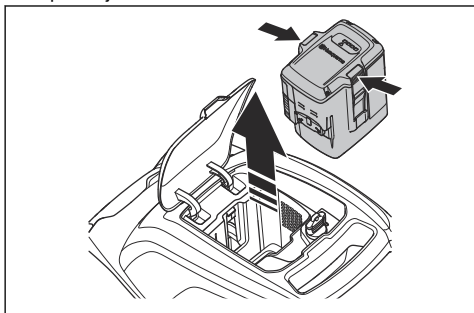
2. Pritisnite dugme za uključivanje/isključivanje (ON/OFF) (A) na kontrolnoj tabli i zelena LED lampica (B) se isključuje.



3. Otvorite poklopac akumulatora i okrenite bezbednosni ključ u položaj 0.



4. Da biste uklonili akumulator, pritisnite 2 dugmeta za otpuštanje i izvucite akumulator.



5. Napunite akumulator ako je prazan. Za više informacija, pogledajte *Punjenje akumulatora* na stranici 690.

Rad sa LC 141C

Izbor odobrenog kabla (LC 141C)

Napomena: Za tržište Velike Britanije, koristite samo produžni kabl 16M koji se isporučuje sa proizvodom. Za sva ostala tržišta, pogledajte informacije u nastavku.

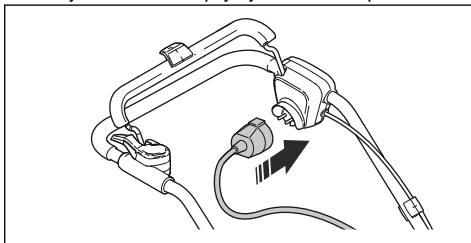
Ako koristite produžne kablove, moraju biti saglasni sa minimalnim poprečnim preseccima navedenim u tablici ispod:

Napon	Dužina kabla	Poprečni presek
220-240 V/50 Hz	Do 20 m	1,5 mm ²
220-240 V/50 Hz	20-50 m	2,5 mm ²

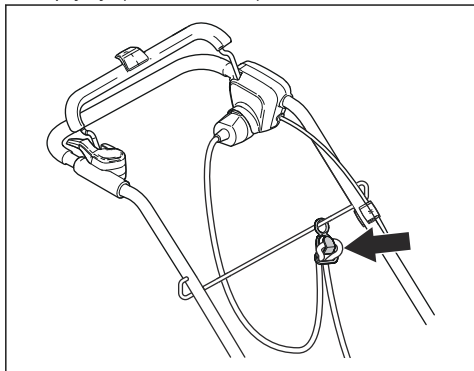
- Mrežni kablovi i produžni kablovi su dostupni kod vašeg lokalnog ovlašćenog servisnog agenta za Husqvarna proizvode koji se koriste na otvorenom.
- Koristite samo produžne kablove posebno konstruisane za upotrebu na otvorenom, usaglašene sa jednom od sledećih specifikacija: Obični gumeni (60245 IEC 53), obični PVC (60227 IEC 53) ili obični PCP (60245 IEC 57)
- Ako je kabl oštećen, mora biti zamenjen od strane proizvođača, servisnog agenta ili slične kvalifikovane osobe kako bi se izbegla opasnost.

Pokretanje proizvoda

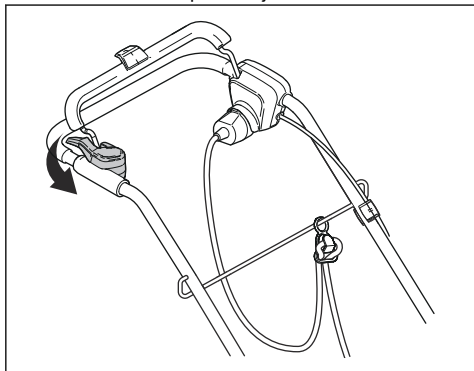
1. Priključite kabl za napajanje u utičnicu ispod ručke.



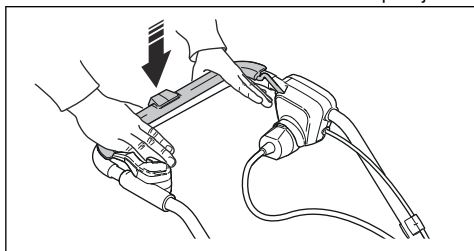
2. Stavite kabl za napajanje u držač kabla za napajanje. Pogledajte *Korišćenje držača kabla za napajanje (model LC 141C) na stranici 683.*



3. Stanite iza proizvoda.
4. Olabavite inhibitor pokretanja.

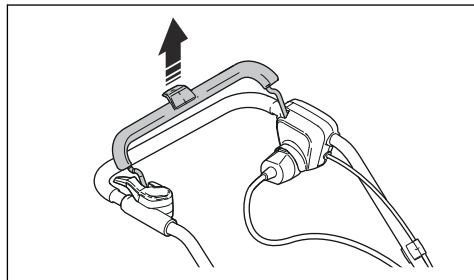


5. Pritisnite ručicu kočnice motora u smeru upravljača.

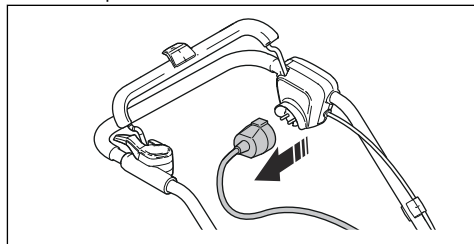


Zaustavljanje proizvoda

1. Otpustite ručicu kočnice motora da biste zaustavili motor.



2. Iskopčajte kabl za napajanje iz mrežnog napajanja a zatim iz proizvoda.



OPREZ: Izvucite utikač. Ne vucite kabl za napajanje.

Za dobre rezultate

- Uvek koristite oštro sečivo. Tupo sečivo daje neujednačeni rezultat i pokošena površina trave postaje žuta. Oštro sečivo takođe koristi manje energije nego tupo sečivo.
- Nemojte kositi više od $\frac{1}{3}$ dužine trave. Prvo kosite sa visokom visinom košenja. Pregledajte rezultat i spustite visinu košenja na prihvatljivi nivo. Ako je trava zaista visoka, vozite polako i kosite dvaput ako bude potrebno.
- Kosite u različitim smerovima svaki put da biste izbegli pruge na travnjaku.

Održavanje

Uvod



UPOZORENJE: Pre održavanja, morate pročitati i razumeti poglavlje o bezbednosti.

Za sva servisiranja i popravke proizvoda, potrebna je specijalna obuka. Garantujemo dostupnost stručnih popravki i servisiranja. Ako vaš prodavac nije servisni agent, obratite mu se za informacije o najbližem servisnom agentu.

Šema održavanja

Intervali održavanja su izračunati na osnovu svakodnevnog korišćenja proizvoda. Intervali se menjaju ako se proizvod ne koristi svakodnevno.

Za održavanje označeno sa *, pogledajte *Bezbednosni uređaji na proizvodu na stranici 682*.

LC 141IV, LC 141i i LC 141C	Svaka upotreba	Mesečno	Svaka sezona
Izvršite generalni pregled.	X		
Očistite proizvod.	X		
Proverite inhibitor pokretanja *.	X		
Uverite se da bezbednosni uređaji na proizvodu nisu neispravni *.	X		
Pregledajte opremu za košenje.	X		
Pregledajte poklopac košenja *.	X		
Proverite ručicu kočnice motora *.	X		

Samo LC 141IV i LC 141i	Svaka upotreba	Mesečno	Svaka sezona
Uverite se da dugme za uključivanje/isključivanje (ON/OFF) ispravno radi i da nije defektno.	X		
Pregledajte akumulator u pogledu oštećenja.	X		
Proverite punjenje akumulatora.	X		
Uverite se da dugmad za otpuštanje na akumulatoru ispravno rade i da akumulator pravilno stoji u proizvodu.	X		
Pregledajte punjač akumulatora u pogledu oštećenja i uverite se da ispravno radi.		X	
Pregledajte konektore između akumulatora i proizvoda. Takođe pregledajte konektore između akumulatora i punjača akumulatora.			X

Vršenje opšteg pregleda

- Uverite se da su navrtke i zavrtnji na proizvodu zategnuti.
- Uverite se da kablovi na proizvodu nisu u položaju u kojem se mogu oštetiti.

Čišćenje proizvoda

- Očistite plastične delove čistom i suvom krpom.
- Nemojte čistiti proizvod vodom. Voda može da prodre u akumulator ili motor i izazove kratak spoj ili oštećenje proizvoda.
- Nemojte da koristite čistač pod visokim pritiskom za čišćenje proizvoda.
- Nemojte direktno ispirati motor vodom.
- Uklonite lišće, travu i prijavštinu pomoću četke.

Čišćenje akumulatora i punjača akumulatora



OPREZ: Nemojte čistiti akumulator ili punjač akumulatora vodom.

- Uverite se da su akumulator i punjač akumulatora čisti i suvi pre stavljanja akumulatora na punjač akumulatora.
- Očistite terminale akumulatora komprimovanim vazduhom ili pomoću meke i suve krpe.
- Očistite površine akumulatora i punjača akumulatora pomoću meke i suve krpe.

Pregled opreme za košenje



UPOZORENJE: Za modele LC 141iV i LC 141i: Kako biste sprečili slučajno pokretanje, okrenite bezbednosni ključ u položaj 0, uklonite akumulator i sačekajte najmanje 5 sekundi.

Za model LC 141C: Kako biste sprečili slučajno pokretanje, iskopčajte kabl za napajanje.



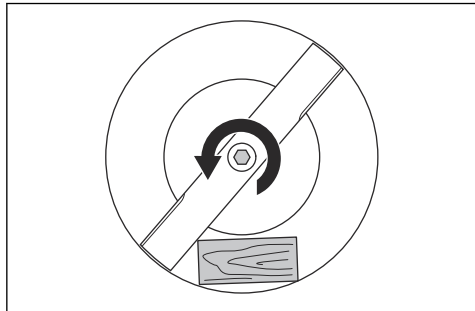
UPOZORENJE: Nosite zaštitne rukavice kada vršite održavanje na opremi za košenje. Sečivo je veoma oštro i lako dolazi do posekotina.

1. Pregledajte opremu za košenje u pogledu oštećenja ili naprslina. Uvek zamenite oštećenu opremu za košenje.
2. Pregledajte sečivo da biste videli je li oštećeno ili tupo.

Napomena: Nakon oštrenja sečiva potrebno ga je balansirati. Neka servisni centar naoštri, zameni i balansira sečivo. Ako udarite o prepreku nakon čega se proizvod zaustavi, zamenite oštećeno sečivo. Neka servisni centar odredi da li sečivo može da se naoštri ili mora da se zameni.

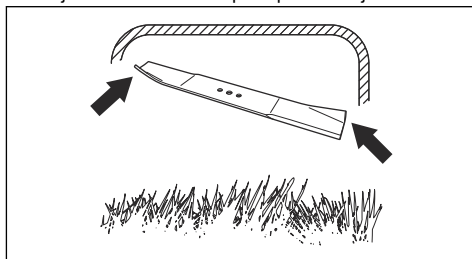
Uklanjanje i zamena sečiva

1. Blokirate sečivo pomoću komada drveta.

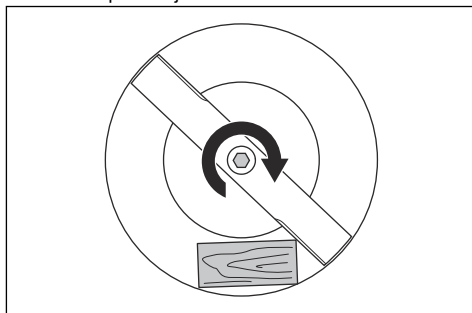


2. Uklonite vijak sečiva.

3. Uklonite sečivo.
4. Pregledajte nosač sečiva i vijak sečiva kako biste videli postoje li oštećenja.
5. Pregledajte osovinu motora kako biste se uverili da nije savijena.
6. Kada postavite novo sečivo, usmerite savijene krajeve sečiva u smeru poklopca košenja.



7. Pobrinite se da je sečivo poravnato sa sredinom osovine motora.
8. Blokirate sečivo pomoću komada drveta. Postavite opružnu podlošku i zategnite vijak i podlošku na moment pritezanja od 20 Nm.



9. Povucite sečivo rukom da biste proverili da li se slobodno okreće.



UPOZORENJE: Nosite čvrste rukavice. Sečivo je veoma oštro i lako dolazi do posekotina.

10. Pokrenite proizvod kako biste testirali sečivo. Ako sečivo nije ispravno postavljeno, pojaviće se vibriranje proizvoda ili rezultat košenja neće biti zadovoljavajući.

Rešavanje problema

Akumulator

LED lampice na akumulatoru	Uzrok	Rešenje
Zelena LED lampica trepće.	Napon akumulatora je nizak.	Napunite akumulator. Pogledajte <i>Punjenje akumulatora na stranici 690</i> .
LED lampica greške trepće.	Akumulator je slab.	Napunite akumulator. Pogledajte <i>Punjenje akumulatora na stranici 690</i> .
	Temperatura u radnom okruženju je previsoka ili preniska.	Koristite akumulator na temperaturama između -10 °C i 40 °C.
	Prenapon.	Napon mreže mora da odgovara onom koji je naveden na nazivnoj pločici proizvođača. Izvadite akumulator iz punjača akumulatora. Sačekajte 5 sekundi i ponovo pokušajte punjenje akumulatora. Ako se problem ne otkloni, obratite se ovlašćenom servisu.
LED lampica greške je uključena.	Razlika između ćelija je prevelika (1 V).	Obratite se ovlašćenom servisnom agentu.

Punjač akumulatora

LED lampice na punjaču akumulatora	Uzrok	Rešenje
LED lampica greške trepće.	Temperatura u radnom okruženju je previsoka ili preniska.	Koristite punjač akumulatora na temperaturama između 5 °C i 40 °C.
LED lampica greške je uključena.		Obratite se ovlašćenom servisnom agentu.

Kontrolna tabla

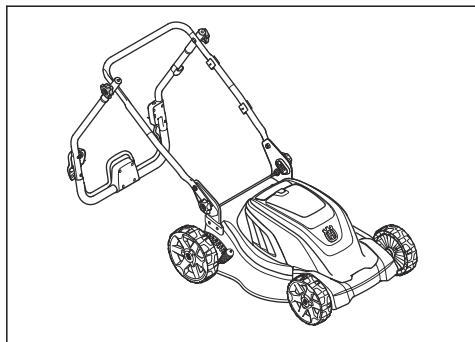
Za probleme koji se ne nalaze u ovom odeljku, obratite se servisnom agentu.

Tastatura	Moguće greške	Moguća radnja
LED lampica greške trepće	Motor je preopterećen	Povećajte visinu košenja. Pogledajte <i>Podešavanje visine košenja na stranici 689</i> .
	Brzina motora prekomerno opada i motor se zaustavlja	
	Kontrola motora je prevruća	Zaustavite motor i sačekajte da se ohladi
	Sečivo je blokirano	Kako biste sprečili slučajno pokretanje, okrenite bezbednosni ključ u položaj 0, uklonite akumulator i sačekajte najmanje 5 sekundi. Uverite se da se sečivo može slobodno okretati. Ako problem nastavi da se pojavljuje, obratite se ovlašćenom servisnom agentu
	Greška akumulatora ili nema signala sa akumulatora	Pravilno postavite akumulator u proizvod i pregledajte konektor akumulatora. Ako LED lampica greške na akumulatoru trepće, pogledajte <i>Akumulator na stranici 696</i> .
Proizvod se zaustavlja	Akumulator je slab	Napunite akumulator. Pogledajte <i>Punjenje akumulatora na stranici 690</i> .
	Kvar konektora akumulatora	Pregledajte konektor akumulatora

Transport, skladištenje i odlaganje

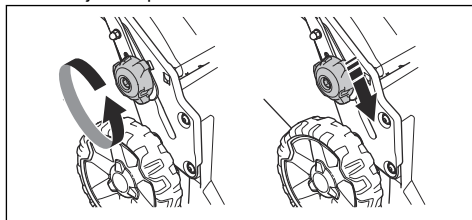
Stavljanje proizvoda u položaj za transport

1. Uklonite hvatač trave (ako je postavljen).
2. Olabavite dugmad na gornjoj ručki i sklopite ručku nadole.

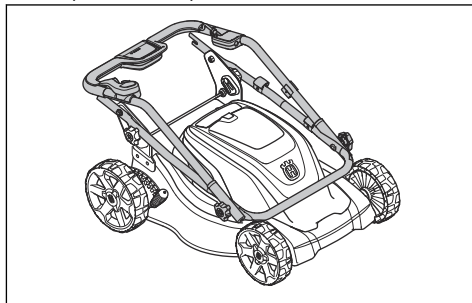


3. Olabavite donju dugmad.

4. Pomerite dugmad u donji kraj žlebova na levoj i desnoj strani proizvoda.



5. Sklopite ručku unapred.



Transport

- Zahtevi u pogledu transporta opasnih materija primenjuju se na sadržane litijum-jonske akumulatore.
- Za komercijalni transport moraju se poštovati posebni zahtevi koji su navedeni na pakovanju i nalepticama.
- Pobrinite se da se pridržavate propisa za transport opasnih materija prilikom pripreme proizvoda za transport. Lokalni propisi se mogu primenjivati.
- Uvek uklonite akumulator pre transporta.
- Stavite traku na konektore akumulatora i uverite se da se akumulator ne može pomerati tokom transporta.
- Fiksirajte proizvod tokom transporta.

Skladištenje

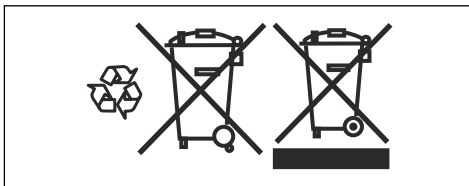
- Uvek uklonite akumulator pre skladištenja.
- Kako bi se sprečili nesrećni slučajevi, uverite se da akumulator nije povezan na proizvod tokom skladištenja.
- Držite punjač akumulatora u zatvorenom i suvom prostoru.
- Držite akumulator i punjač akumulatora u suvom prostoru gde nema vlage ili mraza.
- Iskopčajte akumulator sa punjača akumulatora tokom skladištenja.
- Ne čuvajte akumulator na mestima gde može doći do statičkog pražnjenja. Ne čuvajte akumulator u metalnoj kutiji.
- Čuvajte akumulator na mestu gde je temperatura između 5 °C i 25 °C i van direktne sunčeve svetlosti.
- Čuvajte punjač akumulatora na mestu gde je temperatura između 5 °C i 45 °C i van direktne sunčeve svetlosti.

- Pobrinite se da je akumulator napunjen na 30% - 50% pre skladištenja na duži vremenski period.
- Čuvajte proizvod, akumulator i punjač akumulatora na zaključanom mestu izvan domašaja dece i neovlašćenih osoba.
- Očistite proizvod i izvršite kompletno servisiranje pre nego što uskladištite proizvod na duži vremenski period.

Odlaganje

Simboli na proizvodu ili njegovom pakovanju ukazuju na to da se ovim proizvodom ne može rukovati kao otpadom iz domaćinstva. On se mora odneti u odgovarajući reciklažni pogon za obnavljanje električne i elektronske opreme.

Starajući se da se na odgovarajući način pobrinete za ovaj proizvod, možete da pomognete da se ublaži mogući negativni uticaj na životnu sredinu i ljude, do kojeg bi u suprotnom došlo u slučaju nepravilnog odlaganja ovog proizvoda na otpad. Za detaljnije informacije o recikliranju ovog proizvoda, obratite se vašoj opštini, „Gradskoj čistoći“ ili osoblju u prodavnici u kojoj ste proizvod kupili.



Tehnički podaci

Tehnički podaci LC 141iV, LC 141i

	LC 141iV	LC 141i
Motor košenja		
Tip motora	BLDC (bez četkica) 36 V	BLDC (bez četkica) 36 V
Brzina motora – SavE, o/min	2700	2700
Brzina motora – nominalna, o/min	3100	3100
Brzina motora – veliko opterećenje, o/min	3700	3700
Izlazna snaga motora – maks. kW	0,8	0,8
Izlazna snaga motora – nominalna, kW	0,55	0,55
Pogonski motor		
Izlazna snaga motora – nominalna, kW	0,25	N/D

	LC 141iV	LC 141i
Brzina samostalnog hoda, km/h	3,0-4,5	N/D
Nivoi podešavanja brzine	4	N/D
Težina		
Težina bez akumulatora, kg	21,5	18,6
Akumulator ¹⁶⁹		
Vrsta akumulatora	Husqvarna serija akumulatora	Husqvarna serija akumulatora
Vreme rada akumulatora		
Vreme rada akumulatora, min. (slobodan rad) sa aktiviranom funkcijom SavE, sa jednim Husqvarna 5,2 Ah akumulatorom (BLi200).	77	77
Vreme rada akumulatora, min. (slobodan rad) sa aktiviranim standardnim režimom, sa jednim Husqvarna 5,2 Ah akumulatorom (BLi200).	45	45
Emisija buke ¹⁷⁰		
Nivo zvučne snage, mereno dB (A)	88	88
Nivo zvučne snage, garantovano L _{WA} dB (A)	89	89
Nivoi zvuka ¹⁷¹		
Nivo zvučnog pritiska na uho rukovaoca, dB (A)	83	83
Nivoi vibracije ¹⁷²		
Ručka, m/s ²	2,0	2,0
Košenje		
Visina košenja, mm	25–70	25–70
Širina košenja, cm	41	41
Nož, broj artikla	Skupljanje - 5011716-01	Skupljanje - 5011716-01
Kapacitet vreće za sakupljanje trave, litri	50	50

Odobreni akumulatori	Marka	Tip	Kapacitet akumulatora, Ah	Napon, V	Težina, lb/kg
BLi10	Husqvarna	Litijum-jonski	2,0	36	1,8/0,8
BLi100	Husqvarna	Litijum-jonski	2,6	36	1,9/0,8
BLi20	Husqvarna	Litijum-jonski	4,0	36	2,7/1,2

¹⁶⁹ Za najbolje rezultate i performanse, preporučuje se Husqvarna akumulator BLi200.

¹⁷⁰ Emisije buke u životnoj sredini merene kao zvučna snaga (L_{WA}) u skladu sa direktivom 2000/14/EZ.

¹⁷¹ Prijavljeni podaci za nivo zvučnog pritiska imaju tipičnu statističku disperziju (standardna devijacija) od 1,2 dB (A).

¹⁷² Podaci o nivou vibracije imaju tipičnu statističku disperziju (standardnu devijaciju) od 0,2 m/s².

Odobreni akumulatori	Marka	Tip	Kapacitet akumulatora, Ah	Napon, V	Težina, lb/kg
BLi200	Husqvarna	Litijum-jonski	5,2	36	2,8/1,3
BLi300	Husqvarna	Litijum-jonski	9,4	36	4,1/1,9

Odobreni punjači za navedene akumulatore,	Marka	Ulazni napon, V	Frekvencija, Hz	Snaga, W
QC80	Husqvarna	100–240	50–60	80
QC80F	Husqvarna	12	0	80
QC250	Husqvarna	220-240	50	250
QC330	Husqvarna	100–240	50–60	330
QC500	Husqvarna	100–240	50–60	500

Tehnički podaci LC 141C

LC 141C	
Motor	
Tip motora	Serijski AC motor
Brzina motora – nominalna, o/min	3200
Snaga	1800 W
Izvor napajanja	Električna energija preko kabla
Kabl za napajanje (uključen samo za tržište Velike Britanije)	
Tip kabla	16M produžni kabl
Težina, kg	1,6
Težina	
Težina, kg	20,4
Emisija buke ¹⁷³	
Nivo zvučne snage, mereno dB (A)	93
Nivo zvučne snage, garantovano L _{WA} dB (A)	95
Nivoi zvuka ¹⁷⁴	
Nivo zvučnog pritiska na uho rukovaoca, dB (A)	85
Nivoi vibracije ¹⁷⁵	
Ručka, m/s ²	2,0

¹⁷³ Emisije buke u životnoj sredini merene kao zvučna snaga (L_{WA}) u skladu sa direktivom 2000/14/EZ.

¹⁷⁴ Prijavljeni podaci za nivo zvučnog pritiska imaju tipičnu statističku disperziju (standardna devijacija) od 1,4 dB (A).

¹⁷⁵ Podaci o nivou vibracije imaju tipičnu statističku disperziju (standardnu devijaciju) od 0,2 m/s².

	LC 141C
Košenje	
Visina košenja, mm	25-70
Širina košenja, cm	41
Nož, broj artikla	Sakupljanje 5011716-01
Kapacitet vreće za sakupljanje trave, litri	50

EZ deklaracija o usaglašenosti

EZ deklaracija o usaglašenosti

Husqvarna AB, SE-561 82 Huskvarna, Švedska, tel:
+46-36-146500, izjavljuje da su **kosačice Husqvarna**
LC 141iV i LC 141i od serijskog broja 2018XXXXXXX i
nadalje i **Husqvarna LC 141C** od serijskog broja
2015XXXXXXX i nadalje, usaglašene sa zahtevima
DIREKTIVE VEĆA:

- od 8. juna 2011., o „ograničenju upotrebe određenih opasnih supstanci“ **2011/65/EU**
- od 17. maja 2006., „u vezi sa mašinerijom“ **2006/42/EZ**
- od 26. februara 2014, „koja se odnosi na elektromagnetnu kompatibilnost“ **2014/30/EU**
- od 8. maja 2000, „koja se odnosi na emisije buke u okruženju“ **2000/14/EZ**

Za informacije o emisiji buke, pogledajte poglavlje Tehnički podaci.

Primenjeni su sledeći standardi za sertifikate proizvoda Husqvarna LC 141iV i LC 141i: **IEC 60335-2-77:2002, IEC 60335-1:2010+A1:2013, EN 55014-1:2017, EN 55014-2:2015, EN 61000-3-2:2014, EN 61000-3-3:2013, EN 62233:2008**

Primenjeni su sledeći standardi za sertifikate proizvoda Husqvarna LC 141C: **EN 60335-1:2012+A11:2014, EN 60335-2-77:2010, EN 62233:2008, EN 55014-1:2017+A11, EN 55014-2:2015, EN 61000-3-2:2019, EN 61000-3-11:2019**

Ovlašćeno telo: **0404, RISE SMP Svensk Maskinprovning AB, Box 7035, SE-750 07 Uppsala** je obavilo ocenjivanje usaglašenosti u skladu sa Aneksom VI direktive 2000/14/EC.

Huskvarna, 2020-10-13



Claes Losdal, menadžer razvoja / baštenski proizvodi
(ovlašćeni predstavnik kompanije Husqvarna AB i
odgovorna osoba za tehničku dokumentaciju.)

Innehåll

Introduktion.....	703	Felsökning.....	723
Säkerhet.....	706	Transport, förvaring och kassering.....	724
Montering.....	714	Tekniska data.....	725
Drift.....	716	EG-försäkran om överensstämmelse.....	729
Underhåll.....	721		

Introduktion

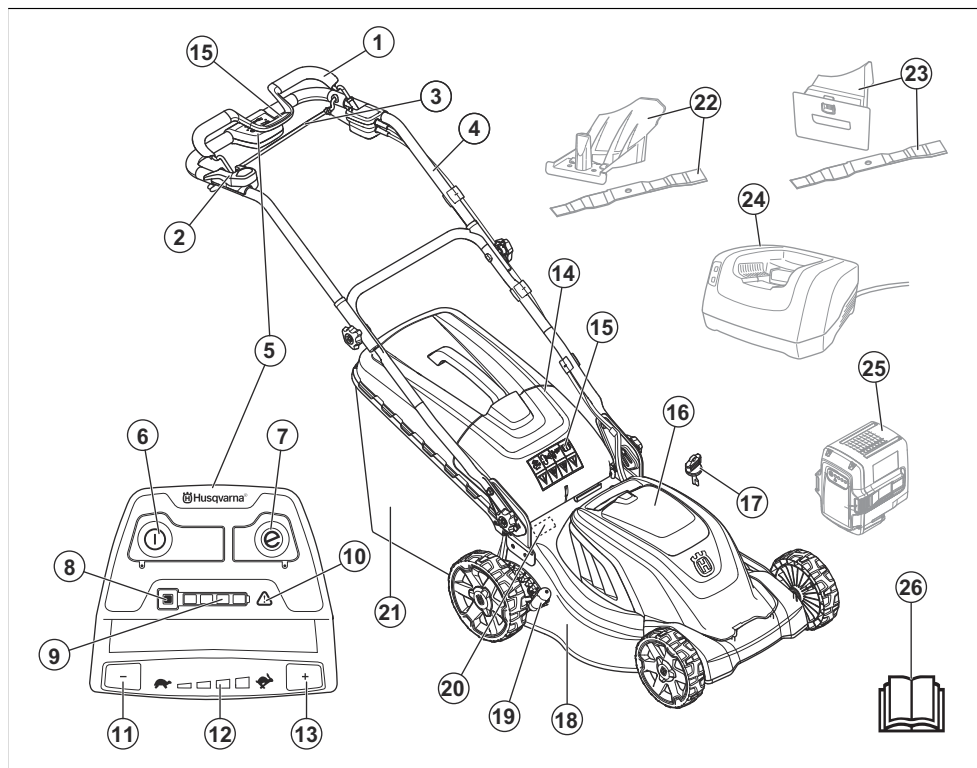
Produktbeskrivning

Produkten är en rotorgräsklippare som styrs av en gående person. Gräset samlas i en gräsupsamlare. Du kan ta bort gräsupsamlaren om du vill att gräset ska komma ut mitt bak. Anslut ett mulchingkit (tillbehör) för att finfördela gräset till gödning.

Avsedd användning

Använd produkten för att klippa gräs. Använd inte produkten till andra uppgifter.

Produktöversikt LC 141iV/LC 141i

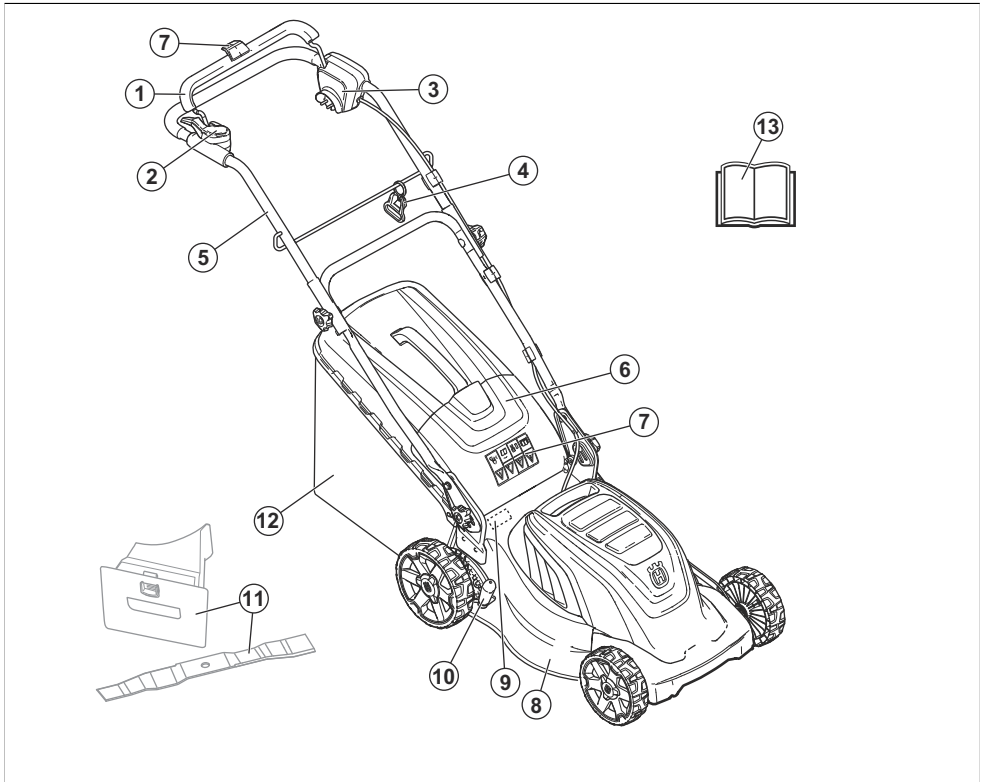


1. Motorbromsbygel
2. Startspärr
3. Drivbygel (LC 141iV)
4. Handtag / styre
5. Reglagepanel
6. Knappen PÅ/AV
7. Knappen Save
8. Knappen Batterinivåindikator

- 9. Indikator för batteriladdning
- 10. Varningsindikator (LYSDIODEN FÖR FEL)
- 11. Knappen sänka hastighet (LC 141iV)
- 12. Hastighetsnivåindikator (LC 141iV)
- 13. Knappen öka hastighet (LC 141iV)
- 14. Bakre kåpa
- 15. Symboler
- 16. Batterilock
- 17. Säkerhetsnyckel

- 18. Klippkåpa
- 19. Kliphöjdsspak
- 20. Typskylt
- 21. Gräsupsamlare
- 22. Mulchingkit (tillbehör för LC 141iV)
- 23. Mulchingkit (tillbehör för LC 141i)
- 24. Batteriladdare (tillbehör)
- 25. Batteri (tillbehör)
- 26. Bruksanvisning

Produktöversikt LC 141C



- 1. Motorbromsbygel
- 2. Startspärr
- 3. Uttag för nätsladd
- 4. Nätsladdshållare
- 5. Handtag / styre
- 6. Bakre kåpa
- 7. Symboler
- 8. Klippkåpa
- 9. Typskylt
- 10. Kliphöjdsspak
- 11. Mulchingplugg (tillbehör)

- 12. Gräsupsamlare
- 13. Bruksanvisning

Symboler på produkten



Skador eller dödsfall kan inträffa för användaren eller människor runt omkring om produkten

inte används försiktigt och korrekt.



Läs igenom bruksanvisningen och se till att du förstår innehållet innan du använder produkten.



Håll alltid människor och djur på säkert avstånd från arbetsområdet.



Akta dig för utslungade föremål och rikoschetter.



Varning! Håll händer och fötter borta från den roterande kniven.



Varning! Håll händer och fötter borta från roterande delar.



Ta ur tändningsnyckeln innan du utför underhåll på produkten. (modell LC 141iV/LC 141i)



Koppla bort produkten från eluttaget innan du utför underhåll på produkten. (modell LC 141C)

IPX1

IPX1 – Produkten har skydd mot droppande

vatten (modell LC 141iV/LC 141i)

IPX4

IPX4 – Produkten har skydd mot vattenstänk (modell LC 141C)



Låt inte regn falla på produkten (modell LC 141iV/LC 141i)



Varning! Se till att produkten inte hamnar över nätsladden. Det kan orsaka elektriska stötar eller skada på produkten. (modell LC 141C)



Denna produkt överensstämmer med gällande EG-direktiv.



Bulleremissioner till omgivningen enligt Europeiska Gemenskapens direktiv. Produktens emission anges i avsnittet Tekniska data och på etiketten.



Likström. 36 V



Dubbelisolerad.



Återvinn produkten vid en återvinningsstation för elektrisk och elektronisk utrustning. (Gäller endast Europa)



Startprocedur för modell LC 141iV/
LC 141i: tryck på knappen PÅ/AV, lyft på startspärren, tryck ned motorbromsbygeln.



Startprocedur för modell LC 141C: lyft på

startspärren, tryck ned motorbromsbygeln.



Stoppa genom att släppa motorbromsbygeln.



Långsamt



Snabb



Kod som kan skannas

Notera: Övriga symboler/etiketter på produkten avser specifika krav för certifieringar på vissa marknader.

Produktansvar

Enligt lagstiftningen för produktansvar ansvarar vi inte för skador som vår produkt orsakar om:

- produkten repareras felaktigt
- produkten repareras med delar som inte kommer från tillverkaren eller inte har godkänts av tillverkaren
- produkten har ett tillbehör som inte kommer från tillverkaren eller inte har godkänts av tillverkaren
- produkten inte repareras vid ett godkänt servicecenter eller av en godkänd person.

Säkerhet

Säkerhetsdefinitioner

Varningar, försiktighetsåtgärder och anmärkningar används för att betona speciellt viktiga delar i bruksanvisningen.



WARNING: Används om det finns risk för skador eller dödsfall för användaren eller kringstående om anvisningarna i bruksanvisningen inte följs.



OBSERVERA: Används om det finns risk för skada på produkten, annat material eller det angränsande området om anvisningarna i bruksanvisningen inte följs.

Notera: Används för att ge mer information som är nödvändig i en viss situation.

Allmänna säkerhetsanvisningar



WARNING: Läs varningsinstruktionerna nedan innan du använder produkten.

- Denna produkt är farlig om den används på fel sätt, och om du inte är försiktig. Skada eller dödsfall kan inträffa om du inte följer säkerhetsinstruktionerna.
- Denna produkt alstrar ett elektromagnetiskt fält under drift. Detta fält kan under vissa omständigheter ge påverkan på aktiva eller passiva medicinska implantat. För att reducera risken för omständigheter som kan leda till allvarliga eller livshotande skador rekommenderar vi därför personer med implantat att rådgöra med läkare samt tillverkaren av det medicinska implantatet innan denna produkt används.
- Var alltid försiktig och använd sunt förnuft. Om du inte vet hur du ska använda produkten i en särskild situation ska du stanna den och tala med en Husqvarna-återförsäljare innan du fortsätter.
- Tänk på att användaren kommer att hållas ansvarig för olyckor som involverar andra människor eller deras egendom.
- Håll produkten ren. Se till att du kan läsa skyltar och dekaler tydligt.
- Låt aldrig barn eller personer som inte känner till de här instruktionerna använda produkten. Det kan finnas en åldersgräns för användning enligt lokala föreskrifter.
- Övervaka alltid en person med nedsatt fysisk eller mental kapacitet som använder produkten. En vuxen person måste vara närvarande hela tiden.
- Använd aldrig produkten om du är trött, sjuk eller om du är påverkad av alkohol, droger eller läkemedel. Detta har en negativ inverkan på din syn, ditt omdöme och din kroppskontroll.
- Använd inte produkten om den är trasig.
- Modifiera aldrig den här produkten och använd den inte om det är möjligt att den har blivit modifierad av andra.

Säkerhet i arbetsområdet



WARNING: Läs varningsinstruktionerna nedan innan du använder produkten.

- Ta bort föremål som grenar, kvistar och stenar från arbetsområdet innan du använder produkten.

Arbetssäkerhet



VARNING: Läs varningsinstruktionerna nedan innan du använder produkten.

- Objekt som slår mot skärutrustningen kan slungas ut och orsaka skador på personer och föremål. Håll alltid människor och djur på säkert avstånd från produkten.
 - Använd aldrig produkten i dåligt väder, som dimma, regn, hård vind, extrem kyla och risk för blixtnedslag. Det är ansträngande att använda produkten i dåligt väder eller på fuktiga eller våta platser. Dåligt väder kan leda till farliga förhållanden, t.ex. hala ytor.
 - Håll utkik efter personer, föremål och situationer som kan förhindra säker användning av produkten.
 - Håll utkik efter hinder, som rötter, stenar, grenar, gropar och diken. Långt gräs kan dölja hinder.
 - Det kan vara farligt att klippa gräs i sluttningar. Klipp inte alltför branta sluttningar. Använd inte produkten i terräng som lutar mer än 15°.
 - Var mycket försiktig när du ändrar riktning i sluttningar. Klipp tvärs över sluttningar. Inte upp och ned.
 - Var uppmärksam när du närmar dig dolda hörn och föremål som skymmer sikten.
- Använd enbart den här produkten för att klippa gräsmattor. Det är inte tillåtet att använda den för andra uppgifter.
 - Använd personlig skyddsutrustning. Se *Personlig skyddsutrustning på sida 709*.
 - Se till att du vet hur man snabbt stoppar motorn i en nödsituation.
 - Använd inte produkten i regn eller vid blöta förhållanden. Risken för elektriska stötar ökar om vatten kommer in i produkten.
 - Använd inte produkten utan att kniven och alla kåpor är korrekt monterade. En felaktigt monterad kniv kan lossna och orsaka personskador.
 - Se till att kniven inte slår emot föremål som stenar och rötter. Detta kan göra att kniven skadas och böja motoraxeln. En böjd axel orsakar kraftiga vibrationer och risken för att

- kniven lossnar blir mycket hög.
- Om kniven träffar ett föremål eller om det uppstår vibrationer ska du omedelbart stanna produkten. Slå av motorn, vrid tändningsnyckeln till 0 och ta loss batteriet (modell LC 141iV och LC 141i) eller koppla ur nätsladden (modell LC 141C). Kontrollera om det finns några skador på produkten. Reparera skadorna eller låt en behörig serviceverkstad utföra reparationen.
 - Fäst aldrig motorbromsbygeln permanent på handtaget när motorn är igång.
 - Ställ produkten på ett stabilt plant underlag och starta den. Se till att kniven inte vidrör marken eller andra föremål.
 - Håll dig alltid bakom produkten när du använder den.
 - Låt alla hjul stå på marken och håll båda händerna på handtaget när du använder produkten. Håll händer och fötter borta från de roterande knivarna.
 - Luta inte produkten när motorn är igång.
 - Var försiktig när du drar produkten bakåt.
- Lyft aldrig upp produkten när motorn är igång. Om du måste lyfta produkten stänger du av motorn, vrider tändningsnyckeln till 0 och tar loss batteriet (modell LC 141iV och LC 141i) eller kopplar ur nätsladden (modell LC 141C).
 - Gå inte baklänges när du använder produkten.
 - Stäng av motorn när du rör dig över områden utan gräs, t.ex. gångar av grus, sten och asfalt.
 - Spring inte med produkten när motorn är igång. Gå alltid när du använder produkten.
 - Stäng av motorn innan du ändrar klipphöjden. Gör aldrig justeringar med motorn igång.
 - Lämna aldrig produkten utanför ditt synfält med motorn igång. Stäng av motorn och se till att skärutrustningen inte roterar.

Säkerhetsinstruktioner för drift

Personlig skyddsutrustning



WARNING: Läs varningsinstruktionerna nedan innan du använder produkten.

- Personlig skyddsutrustning kan inte eliminera skaderisken

helt, men den reducerar effekten av en skada vid ett eventuellt olyckstillbud. Be din återförsäljare om hjälp med att välja rätt utrustning.

- Använd kraftiga hals säkra kängor eller skor. Använd inte öppna skor och var inte barfota.
- Använd tjockare långbyxor.
- Använd skyddshandskar vid behov, till exempel när du ansluter, undersöker eller rengör skärutrustningen.

Säkerhetsanordningar på produkten



VARNING: Läs varningsinstruktionerna nedan innan du använder produkten.

- Använd inte en produkt med defekta säkerhetsanordningar.
- Kontrollera säkerhetsanordningarna regelbundet. Om säkerhetsanordningarna är defekta ska du prata med din Husqvarna serviceverkstad.

Kontrollera klippkåpan

Klippkåpan dämpar vibrationerna och minskar risken för skador orsakade av kniven.

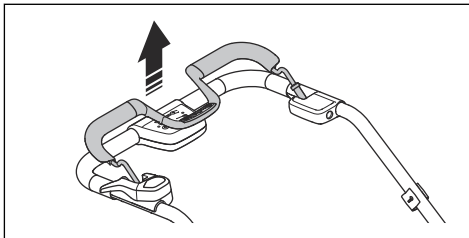
- Undersök klippkåpan för att se till att där inte finns några skador, t.ex. sprickor.

Motorbromsbygel

Motorbromsbygeln stänger av motorn. När motorbromsbygeln släpps stannar motorn.

För att inspektera motorbromsen ska du starta motorn och sedan släppa motorbromsbygeln. Om motorn inte

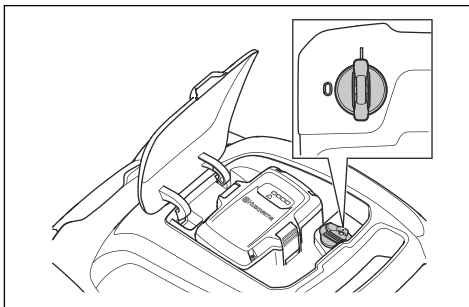
stannar inom tre sekunder ska du låta en godkänd Husqvarna-serviceverkstad justera motorbromsen.



Säkerhetsnyckel (modellerna LC 141iV och LC 141i)

Säkerhetsnyckeln finns under batteriluckan. Säkerhetsnyckeln kopplar in batteriet som matar motorn med ström.

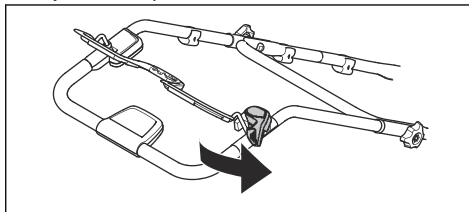
- Starta och stäng av motorn för att kontrollera säkerhetsnyckeln.
- Om säkerhetsnyckeln fungerar korrekt startar motorn endast när nyckeln är i position 1.



Undersöka startspärren

Gör en kontroll av startspärren för att se till att den hindrar drift av motorn.

1. Tryck motorbromsbygeln i handtagets riktning. Startspärren stoppar rörelsen.
2. Tryck ut startspärren.

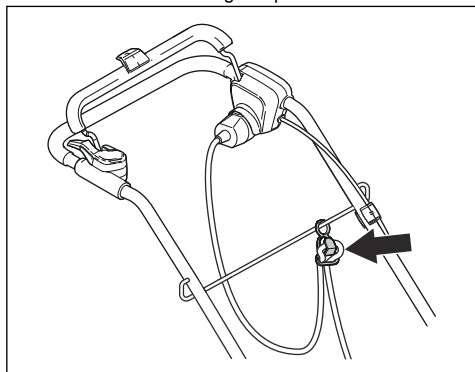


3. Lossa startspärren och se till att den går tillbaka till ursprungsläget.

Använda nätsladdshållaren (modell LC 141C)

Nätsladdshållaren minskar belastningen på nätuttaget och nätsladden. Nätsladdshållaren minskar också risken för att du ska falla.

1. Gör en smal ögla genom att böja nätsladden.
2. Placera ögla i hålet i nätsladdshållaren.
3. Placera ögla runt kroken.
4. Dra åt nätsladden så ögla spänns åt runt kroken.



Batterisäkerhet



WARNING: Läs varningsinstruktionerna nedan innan du använder produkten.

- Använd endast laddningsbara batterier från Husqvarna som strömkälla för relaterade Husqvarna-produkter. På grund av risken för skador ska du inte använda batteriet som strömkälla för andra enheter.
- Använd inte batterier som inte är laddningsbara.
- Risk för elektrisk stöt. Anslut inte batteripolerna till nycklar, mynt, skruvar eller andra metallföremål. Det kan orsaka kortslutning i batteriet.
- Placera inte föremål i luftspringorna på batteriet.
- Håll batteriet borta från direkt solljus, värme och öppen eld. Batteriet kan explodera och orsaka brännskador och/eller kemiska brännskador.
- Håll batteriet borta från regn och fuktiga förhållanden.
- Håll batteriet borta från mikrovågor och högt tryck.
- Försök inte ta isär eller krossa batteriet.
- Om batteriet läcker ska du inte låta vätskan komma i kontakt med huden eller ögonen. Om du har rört vid vätskan ska du rengöra området med stora mängder vatten och kontakta läkare.
- Använd batteriet vid temperaturer mellan -10°C och 40°C .
- Rengör inte batteriet eller batteriladdaren med vatten. Se *Rengöra batteriet och batteriladdaren på sida 722*.
- Använd inte ett defekt eller skadat batteri.
- Håll batterier som förvaras borta från metallföremål, exempelvis spikar, mynt och smycken.

Säkerhet, batteriladdare



WARNING: Läs varningsinstruktionerna nedan innan du använder produkten.

- Använd endast QC-batteriladdare för att ladda utbytesbatterier från Husqvarna.
- Risk för elektrisk stöt eller kortslutning. Placera inte föremål i luftspringorna på laddaren. Försök inte plocka isär batteriladdaren. Anslut inte laddarens kontakter till metallföremål. Använd ett godkänt eluttag.
- Denna produkt alstrar ett elektromagnetiskt fält under drift. Detta fält kan under vissa omständigheter ge påverkan på aktiva eller passiva medicinska implantat. För att reducera risken för omständigheter som kan leda till allvarliga eller livshotande skador rekommenderar vi därför personer med implantat att rådgöra med läkare samt tillverkaren av det medicinska implantatet innan denna maskin används.
- Kontrollera regelbundet att nätsladden till batteriladdaren är oskadad och att inga sprickor finns.
- Lyft inte batteriladdaren i nätsladden. Koppla bort batteriladdaren från eluttaget genom att dra i kontakten. Dra inte i nätsladden.
- Håll nätsladd och skarvsladd borta från vatten, olja och skarpa kanter. Var uppmärksam så att inte kabeln kläms i dörrar, stängsel eller liknande. Det kan annars medföra att laddaren blir strömförande.
- Rengör inte batteriladdaren med vatten.
- Batteriladdaren kan användas av barn från 8 år och uppåt och personer med olika funktionshinder eller bristande erfarenhet och kunskap om de hålls under uppsikt eller får instruktioner om säker användning av batteriladdaren och förstår de risker användandet medför. Barn får inte leka med batteriladdaren. Rengöring och underhåll får inte utföras av barn utan tillsyn.
- Ladda aldrig batterier som inte är laddningsbara i batteriladdaren.
- Använd inte batteriladdaren nära brandfarliga material eller

material som kan orsaka korrosion. Täck inte över batteriladdaren. Dra ut stickkontakten till batteriladdaren vid rökutveckling eller brand.

- Använd aldrig defekta eller skadade batteriladdare.
- Ladda endast batteriet inomhus där den inte utsätts för solljus och i ett rum med bra luftflöde. Ladda inte batteriet vid fuktiga förhållanden.

Nätsladdssäkerhet

För modell LC 141C.

- Vi rekommenderar användning av en jordfelsbrytare (RCD) med frånslagning vid högst 30 mA. Även med en jordfelsbrytare installerad kan 100 % säkerhet inte garanteras och säkra arbetsmetoder måste alltid följas. Kontrollera jordfelsbrytaren varje gång du använder den.
- Tänk på att koppla bort produkten från eluttaget om nätsladden eller isoleringen är skadad.
- Vidrör inte en skadad nätsladd förrän strömmen har kopplats ifrån.
- Reparera inte en skadad nätsladd. Byt till en ny.

Säkerhetsinstruktioner för underhåll



VARNING: Läs varningsinstruktionerna nedan innan du använder produkten.

- För modell LC 141iV, LC 141i: För att förhindra oavsiktlig start vid underhåll ska du vrida säkerhetsnyckeln till 0 och ta bort batteriet. Vänta i minst fem sekunder innan du påbörjar underhåll.
- För modell LC 141C: Koppla ifrån nätsladden för att förhindra oavsiktlig start vid underhåll.
- Utför underhållsarbete på rätt sätt för att öka produktens livslängd och minska risken för olyckor. Låt en godkänd serviceverkstad utföra fackmannamässig reparation. Tala med din närmaste serviceverkstad för mer information.
- Utför endast det underhållsarbete som anges i den här bruksanvisningen. Mer omfattande arbete ska utföras av en godkänd serviceverkstad.
- Använd kraftiga arbetshandskar när du använder skärutrustningen. Kniven är mycket vass och skärskador uppstår lätt.

- Håll den skärande delen skarp och ren för bästa och säkraste prestanda.
- Låt din serviceverkstad regelbundet kontrollera produkten och göra nödvändiga inställningar och reparationer.
- Byt ut skadade, slitna och trasiga delar.
- Följ instruktionerna för byte av tillbehör. Använd endast tillbehör från tillverkaren.
- När den inte används ska du hålla produkten, batteriet och batteriladdaren ifrån varandra på ett torrt och låst utrymme inomhus. Se till att barn och personer som inte är godkända inte kan få tillgång till produkten, batteriet eller batteriladdaren.

Montering

Introduktion



VARNING: Innan du monterar produkten ska du läsa säkerhetskapitlet.

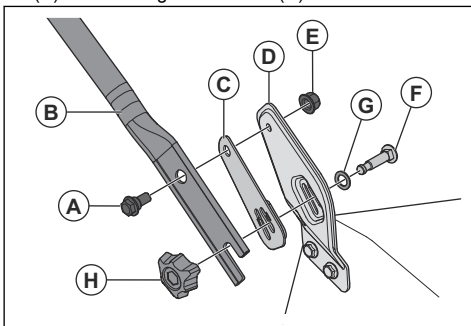


VARNING: För modell LC 141iV, LC 141i: Förhindra oavsiktlig start vid montering genom att vrida säkerhetsnyckeln till 0, ta bort batteriet och vänta minst fem sekunder.

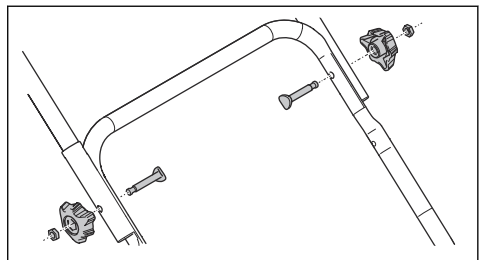
För modell LC 141C: Koppla ifrån nätsladden för att förhindra oavsiktlig start vid montering.

Montera handtaget

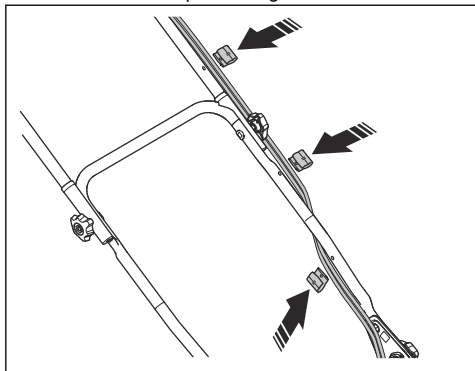
1. För skruven (A) genom handtaget (B), plastbrickan (C) och handtagets stödfäste (D).



2. Dra åt muttern (E) helt.
3. För skruven (F) genom brickan (G) och handtagets stödfäste.
4. Dra åt vredet (H) helt.
5. Rikta in hålen i styret med hålen i det nedre handtaget och fäst skruvarna, brickorna och vreden. Dra åt vreden helt.

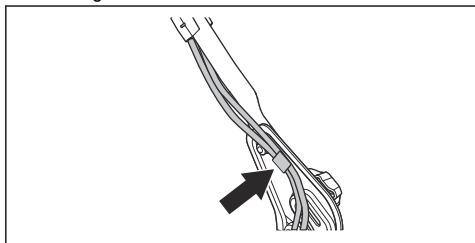


6. Montera kablarna på handtaget med kabelhållarna.



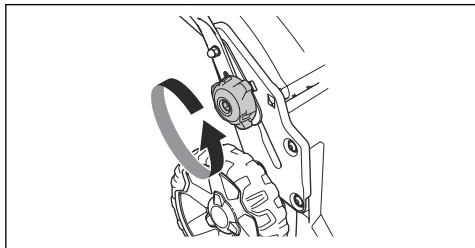
Notera: Se till att kablarnas spänning inte är för hög. En alltför hög spänning kan orsaka skador på kabeln om handtaget är vikt i transportläge.

7. Placera kablarna runt kroken längst ned på handtaget.



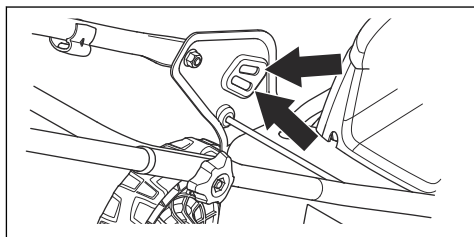
Ställa in höjden på handtaget

1. Lossa de nedre vreden.

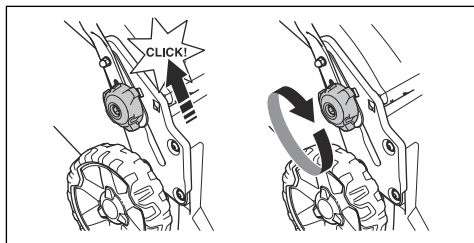


2. Ta bort vredet, brickan och skruven på vänster och höger sida.

3. Handtaget kan ställas in på två olika höjder. Placera skruven i ett av de två hålen på vänster och höger sida.

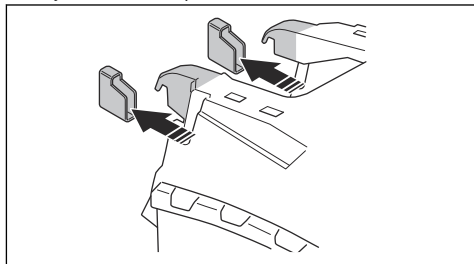


4. Montera skruvar, brickor och vred.
5. Skjut vreden uppåt mot handtaget tills det tar stopp och du hör ett klick. Dra åt vreden helt.

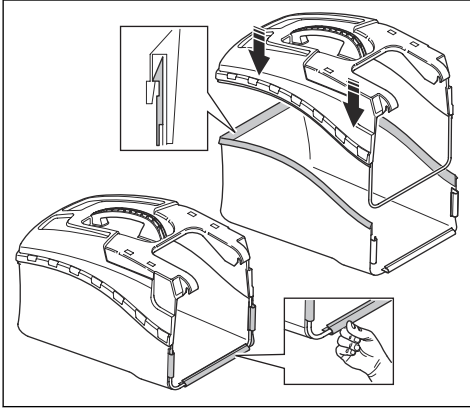


Montera gräsuppsamlaren

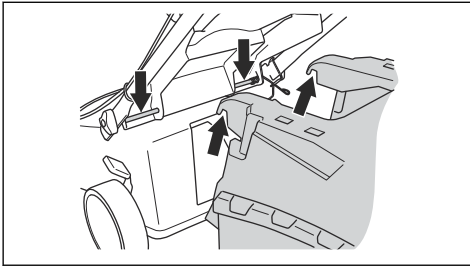
1. Tryck de två transportluckorna utåt och nedåt.



- Placera den övre delen av gräsupsamlaren på den nedre delen av gräsupsamlaren. Fäst gräsupsamlarens ram med klämmorna.

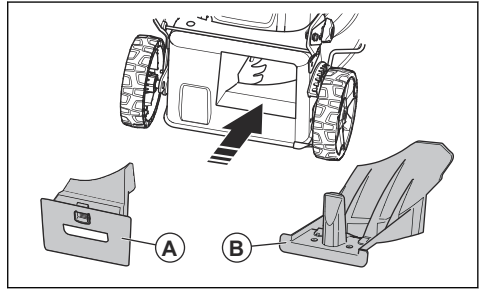


- Lyft den bakre kåpan.
- Fäst krokarna på gräsupsamlaren mot den övre kanten på chassit.



Montera mulchingsats

- Lyft upp den bakre kåpan och ta loss gräsupsamlaren.
- För in mulchingpluggen i gräsutkastkanalen. Mulchingpluggen av typ A är för LC 141i och LC 141C. Typ B är avsedd för LC 141IV.



- Stäng den bakre kåpan.
- Byt ut kniven mot Combi-kniven, se *Ta bort och byta ut kniven på sida 722*.

Drift

Introduktion



VARNING: Innan du använder produkten måste du läsa igenom och förstå kapitlet om säkerhet.

Husqvarna Connect

Husqvarna Connect är en kostnadsfri app för mobila enheter. Husqvarna Connect-appen utökar funktionerna för Husqvarna-produkten:

- Mer produktinformation.
- Information om, och hjälp med, produktdelar och service.

Börja använda Husqvarna Connect

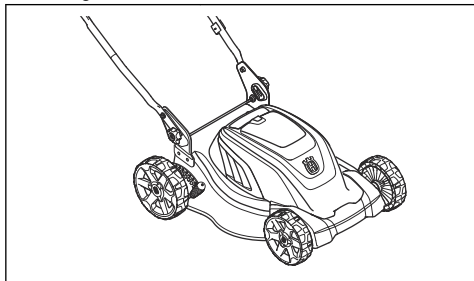
- Hämta Husqvarna Connect-appen på din mobila enhet.
- Utför registreringen i Husqvarna Connect-appen.

- Följ instruktionerna i Husqvarna Connect-appen för att ansluta och registrera produkten.

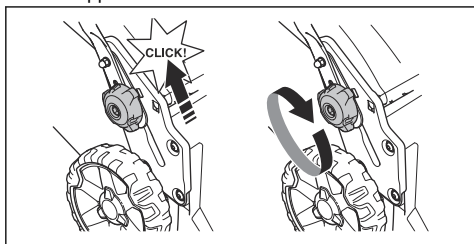
Ställa in produkten i arbetsläge

Om handtaget är i transport- och förvaringsläge (se *Ställa in produkten i transportläge på sida 724*), gör följande för att få handtaget i driftläge.

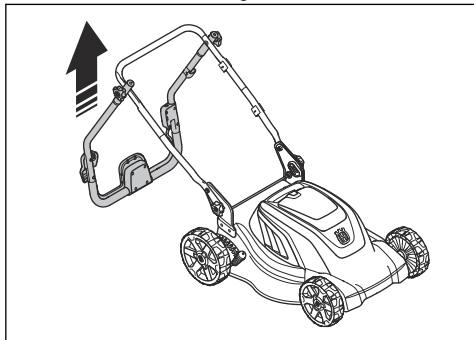
1. Lyft handtaget tills det lägre handtaget är låst i driftläge.



2. Skjut de nedre vreden uppåt mot handtaget tills det tar stopp och du hör ett klick.



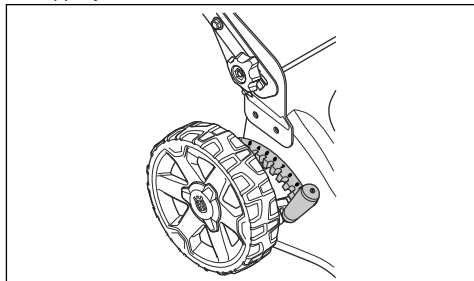
3. Dra åt vreden.
4. Montera det övre handtaget och dra åt vreden.



Ställa in klipphöjden

1. Flytta klipphöjdsspaken bakåt för att höja klipphöjden.

2. Flytta klipphöjdsspaken framåt för att sänka klipphöjden.



OBSERVERA: Ställ inte in för låg klipphöjd. Knivarna kan träffa marken om gräsmattans yta inte är plan.

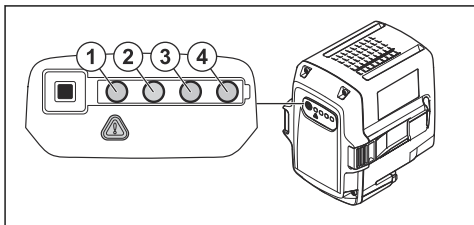
Batteri



VARNING: Innan du använder batteriet måste du läsa igenom och förstå kapitlet om säkerhet. Du måste också läsa igenom och förstå den bruksanvisning som medföljer batteriet och batteriladdaren.

Batteristatus

Displayen visar den återstående batterikapaciteten och om det föreligger problem med batteriet. Batterikapaciteten visas i fem sekunder efter att produkten har stängts av eller batteriindikatorknappen har tryckts in. Varningssymbolen på batteriet tänds när ett fel har inträffat. Se *Batteri på sida 723*.



Lysdioder	Batteristatus
Alla lysdioder är tända	Fulladdat (75–100 %)
Lysdiod 1, 2 och 3 lyser	Batteriet är 50–75 % laddat
Lysdiod 1 och 2 lyser	Batteriet är 25–50 % laddat
Lysdiod 1 lyser	Batteriet är 0–25 % laddat.
Lysdiod 1 blinkar	Batteriet är tomt. Ladda batteriet.

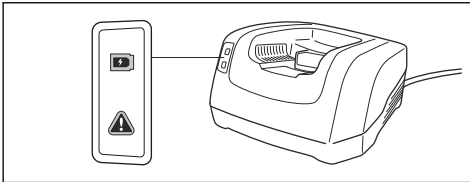
Ladda batteriet

Ladda batteriet före första användning. Batteriet är endast 30 % laddat när det levereras till kunden.

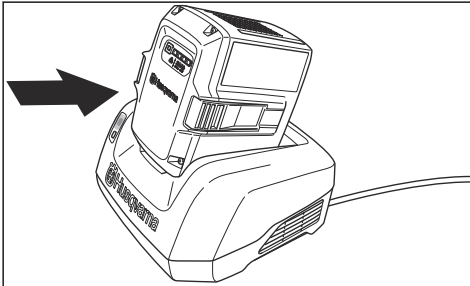
Notera: Batteriladdaren måste vara kopplad till den spänning och frekvens som anges på typskylten.

Batteriet laddas inte om batteritemperaturen är över 50 °C. Batteriladdaren sänker batteriets temperatur innan den börjar ladda.

1. Anslut den ena änden av batteriladdarens nätsladd till batteriladdarens uttag.
2. Anslut den andra änden av batteriladdarens nätsladd till ett jordat eluttag. Lysdioden på batteriladdaren blinkar grönt en gång.



3. Sätt i batteriet i batteriladdaren. Den gröna lampan på laddaren tänds när batteriet är korrekt anslutet till laddaren.



4. När alla lysdioder på batteriet lyser är batteriet fulladdat. Ladda batteriet i högst 24 timmar.
5. Koppla bort batteriladdaren ur vägguttaget genom att dra i kontakten, inte i nätsladden.
6. Ta ut batteriet ur batteriladdaren.

Batteriladdningsstatus

Ett litiumjonbatteri från Husqvarna kan laddas eller användas vid alla laddningsnivåer. Batteriet inte är skadat. Ett fulladdat batteri laddas inte ur även om batteriet sitter kvar i laddaren.

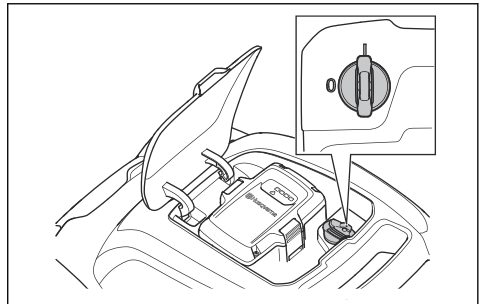
LED-display	Laddningsstatus
Lysdiod 1 blinkar	0–25 %
Lysdiod 1 lyser, 2 blinkar	25–50%

LED-display	Laddningsstatus
Lysdioderna 1 och 2 lyser, 3 blinkar	50–75 %
Lysdioderna 1, 2 och 3 lyser, 4 blinkar	75–100%
Lysdioderna 1, 2, 3 och 4 lyser	Fulladdat

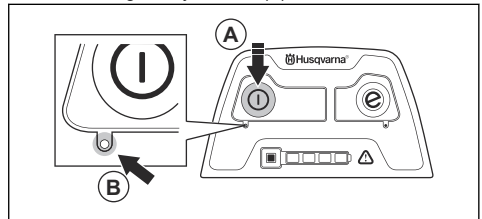
Hantering av LC 141IV och LC 141i

Starta produkten

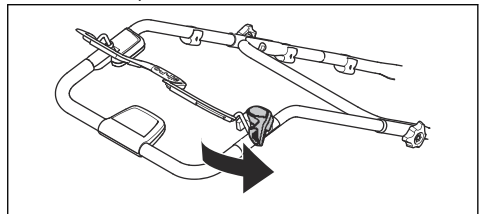
1. Sätt i det laddade batteriet i batterifacket.
2. Vrid säkerhetsnyckeln till 1.



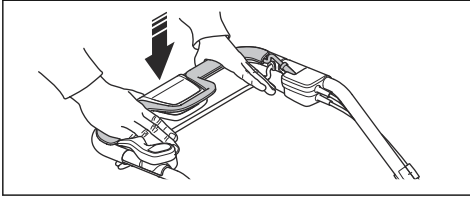
3. Stå bakom produkten.
4. Tryck på PÅ/AV-knappen (A) på reglagepanelen så tänds den gröna lysdioden (B).



5. Lossa startspärren.

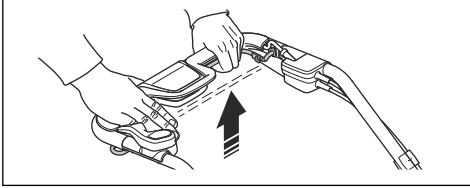


6. Tryck motorbromsbygeln i handtagets riktning.

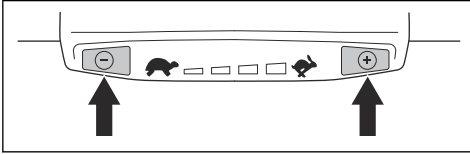


Använda drivningen på hjulen

- Modell LC 141iV. Dra drivbygeln i handtagets riktning för att starta drivningen.



- Tryck på + och – på reglagepanelen för att ange hastigheten i fyra steg.

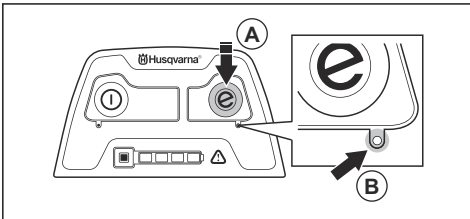


- Släpp drivbygeln för att koppla ur drivningen, t.ex. när du går nära ett hinder.

Använda SavE-funktionen

Produkten har en batterisparfunktion (SavE) som ger längre drifttid.

1. Tryck på SavE-knappen (A) för att starta funktionen. Den gröna lysdioden tänds.



2. Tryck på SavE-knappen igen för att stänga av funktionen. Den gröna lysdioden (B) slocknar.

SavE-funktionen stängs automatiskt av om markförhållandena kräver högre effekt. SavE-funktionen startar automatiskt när markförhållandena tillåter det.

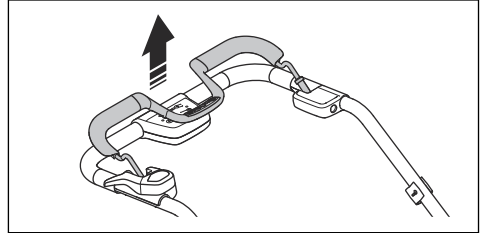
Funktion för hög belastning

När produkten klipper högt eller vått gräs ökar motorn automatiskt varvtalet. Motorn återgår till standardläge när hög belastning inte längre behövs.

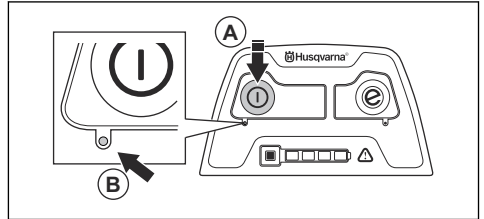
Stänga av produkten

Produkten stängs av automatiskt om du inte använder den på tio minuter. Vrid alltid säkerhetsnyckeln till 0 innan du lämnar produkten utom synhåll.

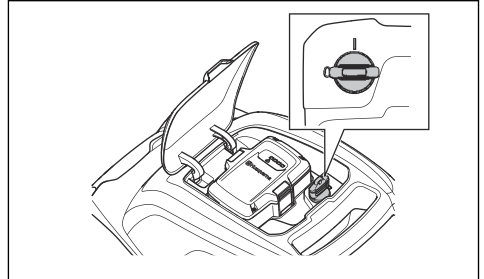
1. Släpp motorbromsbygeln för att stänga av motorn.



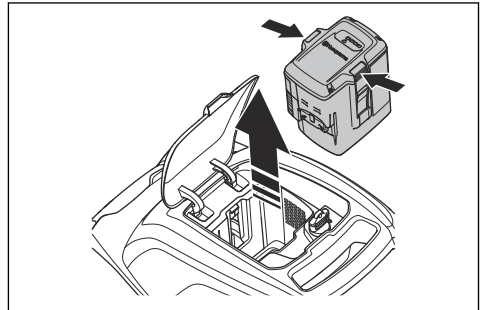
2. Tryck på PÅ/AV-knappen (A) på reglagepanelen så släcks den gröna lysdioden (B).



3. Öppna batteriluckan och vrid säkerhetsnyckeln till läget 0.



4. För att ta bort batteriet trycker du på de två frigöringsknapparna och drar ut batteriet.



5. Ladda batteriet om det är svagt. Mer information finns på *Ladda batteriet på sida 718*.

2. Sätt nätsladden i sladdhållaren. Se *Använda nätsladdshållaren (modell LC 141C) på sida 711*.

Använda LC 141C

Välja en godkänd kabel (LC 141C)

Notera: För den brittiska marknaden, använd endast förlängningskabeln 16M som medföljer produkten. För alla andra marknader, se nedanstående information.

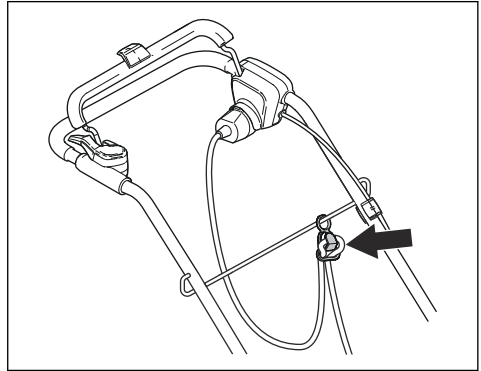
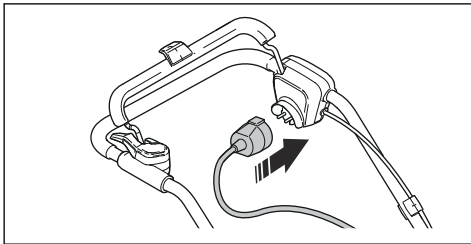
Om förlängningskablar används, måste de uppfylla de minsta tvärsektionerna i tabellen nedan:

Spänning	Kabellängd	Tvärsektion
220–240 V/50 Hz	Upp till 20 m	1,5 mm ²
220–240 V/50 Hz	20–50 m	2,5 mm ²

- Huvudkablar och förlängningskablar finns hos din lokala godkända serviceverkstad för Husqvarna utomhusprodukter.
- Använd bara förlängningskablar som är specifikt utformade för utomhusbruk och som överensstämmer med en av följande specifikationer: Vanligt gummi (60245 IEC 53), vanlig PVC (60227 IEC 53) eller vanlig PCP (60245 IEC 57)
- Om nätkabeln har blivit skadad måste den bytas ut av tillverkaren, dennes serviceverkstad eller likvärdigt kvalificerade personer för att undvika olyckor.

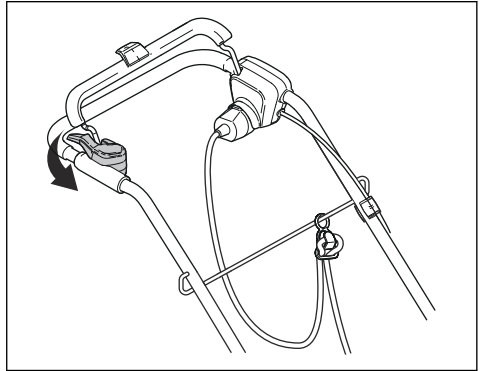
Starta produkten

1. Anslut nätsladden till uttaget nedanför handtaget.

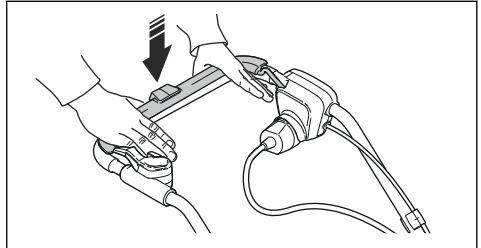


3. Stå bakom produkten.

4. Lossa startspärren.

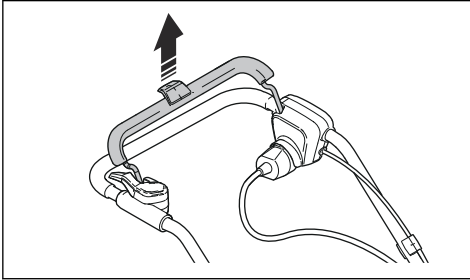


5. Tryck motorbromsbygeln i handtagets riktning.

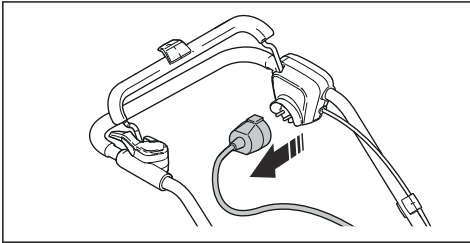


Stänga av produkten

1. Släpp motorbromsbygeln för att stänga av motorn.



2. Koppla bort nätsladden från eluttaget och därefter ur produkten.



OBSERVERA: Dra kontakten rakt ut. Dra inte i nätsladden.

Få ett bra resultat

- Använd alltid en vass kniv. En slö kniv ger ett ojämnt resultat och grässets snittyta blir gul. En vass kniv förbrukar mindre energi än en slö kniv.
- Klipp inte mer än en tredjedel av grässets längd. Klipp först med hög klipphöjd. Undersök resultatet och sänk klipphöjden till en lämplig nivå. Om gräset är väldigt långt kan du köra sakta och klippa två gånger vid behov.
- Klipp i olika riktningar varje gång för att undvika ränder i gräsmattan.

Underhåll

Introduktion



VARNING: Innan du utför underhåll måste du läsa och förstå kapitlet om säkerhet.

För allt service- och reparationsarbete på produkten krävs särskild utbildning. Vi garanterar att du kan få en fackmannamässig reparation och service utförd. Om din

återförsäljare inte är en serviceverkstad kan du tala med dem för information om närmaste serviceverkstad.

Underhållsschema

Underhållsintervallen beräknas utifrån daglig användning av produkten. Intervallen ändras om produkten inte används dagligen.

För underhåll som markeras med *, se *Säkerhetsanordningar på produkten på sida 710.*

LC 141iV, LC 141i och LC 141C	Varje användning	Varje månad	Varje säsong
Utför en allmän inspektion.	X		
Rengör produkten.	X		
Kontrollera startspärren *.	X		
Kontrollera att produktens säkerhetsanordningar inte är defekta *.	X		
Kontrollera skärutrustningen.	X		
Kontrollera klippkåpan*.	X		
Kontrollera motorbromsbygeln *.	X		

Endast LC 141iV och LC 141i	Varje användning	Varje månad	Varje säsong
Se till att PÅ/AV-knappen fungerar som den ska och inte är defekt.	X		
Undersök om det finns några skador på batteriet.	X		
Kontrollera batteriladdningen.	X		
Se till att frigöringsknapparna på batteriet fungerar och låser fast batteriet i produkten.	X		
Undersök om batteriladdaren har skador och se till att den fungerar som den ska.		X	
Undersök anslutningarna mellan batteriet och produkten. Undersök även anslutningen mellan batteriet och batteriladdaren.			X

Allmän inspektion

- Se till att skruvar och muttrar på produkten är åtdragna.
- Se till att produktens kablar inte är i ett läge där de kan skadas.

Rengöra produkten

- Rengör plastdelar med en ren och torr trasa.
- Använd inte vatten för att rengöra produkten. Vatten kan tränga in i batteriet eller motorn och orsaka kortslutning eller skada på produkten.
- Undvik att använda högtryckstvätt när du rengör maskinen.
- Spola inte vatten direkt på motorn.
- Använd en borste för att ta bort löv, gräs och smuts.

Rengöra batteriet och batteriladdaren



OBSERVERA: Rengör inte batteriet eller batteriladdaren med vatten.

- Se till att batteriet och batteriladdaren är rena och torra innan du sätter i batteriet i batteriladdaren.
- Rengör batteripolerna med tryckluft eller med en mjuk, torr trasa.
- Rengör ytorna på batteriet och batteriladdaren med en mjuk, torr trasa.

Kontrollera skärutrustningen



WARNING: För modellerna LC 141iV och LC 141i: Förhindra oavsiktlig start genom att vrida säkerhetsnyckeln till 0, ta bort batteriet och vänta minst fem sekunder.

För modell LC 141C: Koppla ifrån nätsladden för att förhindra oavsiktlig start.



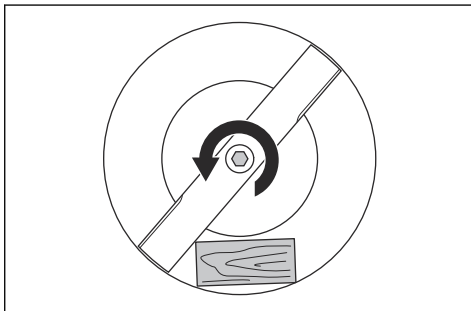
WARNING: Använd skyddshandskar när du utför underhåll på skärutrustningen. Kniven är mycket vass och skärskador uppstår lätt.

1. Kontrollera så att skärutrustningen inte är skadad eller har sprickor. Byt alltid ut skadad skärutrustning.
2. Titta på kniven för att se om den är skadad eller slö.

Notera: Kniven måste balanseras när den har slipats. Låt en serviceverkstad slipa, byta och balansera kniven. Om du träffar ett hinder som gör att produkten stannar ska du byta ut den skadade kniven. Låt serviceverkstaden bedöma om kniven kan slipas eller måste ersättas.

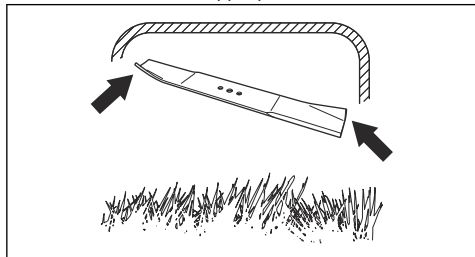
Ta bort och byta ut kniven

1. Lås kniven med en träbit.

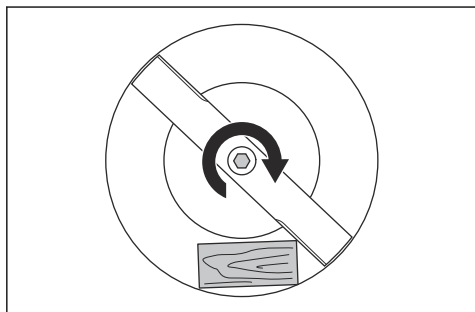


2. Ta bort knivbulten.
3. Tag bort kniven.
4. Kontrollera knivstödet och knivbulten för att se om det finns skador.
5. Kontrollera motoraxeln för att se till att den inte är böjd.

6. När du monterar en ny kniv ska du rikta knivens vinklade ändar mot klippkåpan.



7. Se till att kniven är i linje med motoraxelns mitt.
8. Lås kniven med en träbit. Montera fjäderbrickan och dra åt bulten och brickan med ett vridmoment på 20 Nm.



9. Dra runt kniven för hand och se till att den roterar fritt.



VARNING: Använd kraftiga arbetshandskar. Kniven är mycket vass och skärskador uppstår lätt.

10. Starta produkten för att testa kniven. Om kniven inte är korrekt monterad känner du vibrationer i produkten eller så är klippresultat otillfredsställande.

Felsökning

Batteri

Lysdiod på batteriet	Orsak	Lösning
Den gröna lysdioden blinkar.	Batterispänningen är låg.	Ladda batteriet. Se <i>Ladda batteriet på sida 718</i> .
Lysdioden för fel blinkar.	Batteriet är svagt.	Ladda batteriet. Se <i>Ladda batteriet på sida 718</i> .
	Temperaturen i arbetsmiljön är för hög eller för låg.	Använd batteriet vid temperaturer mellan -10 °C och 40 °C .
	Överspänning.	Se till att nätspänningen stämmer med den som anges på produktens typskylt. Ta ut batteriet ur batteriladdaren. Vänta fem sekunder och försök att ladda batteriet igen. Om problemet kvarstår kontakter du en godkänd serviceverkstad.
Lysdioden för fel lyser.	För stor cellskillnad (1 V).	Tala med en godkänd serviceverkstad.

Batteriladdare

Lysdiod på batteriladdaren	Orsak	Lösning
Lysdioden för fel blinkar.	Temperaturen i arbetsmiljön är för hög eller för låg.	Använd batteriladdaren i temperaturer mellan 5 °C och 40 °C.
Lysdioden för fel lyser.		Tala med en godkänd serviceverkstad.

Reglagepanel

För andra problem än de i detta avsnitt ska du tala med en serviceverkstad.

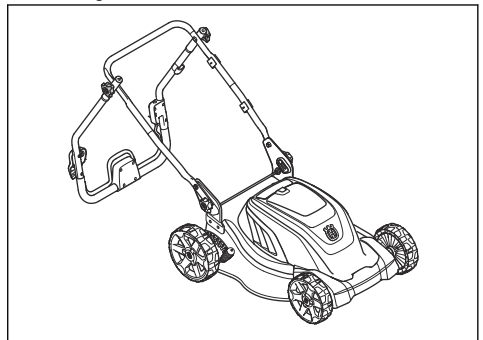
Knappsats	Eventuella fel	Möjlig åtgärd
Lysdiod för fel blinkar	Motorn är överbelastad	Öka klipphöjden. Se <i>Ställa in klipphöjden på sida 717</i> .
	Motorns varvtal sjunker för mycket och motorn stängs av	
	Motorstyrningen är för varm	Stäng av motorn och vänta tills den har blivit sval
	Kniven är igensatt	Förhindra oavsiktlig start genom att vrida säkerhetsnyckeln till 0, ta bort batteriet och vänta minst fem sekunder. Se till att kniven kan rotera fritt. Om problemet kvarstår ska du tala med en auktoriserad serviceverkstad
	Batterifel eller ingen signal från batteriet	Sätt batteriet i produkten på rätt sätt och undersök batterianslutningen. Om lysdioden för fel på batteriet blinkar, se <i>Batteri på sida 723</i> .
Produkten stannar	Batteriet är svagt	Ladda batteriet. Se <i>Ladda batteriet på sida 718</i> .
	Batterianslutningsfel	Undersök batterianslutningen

Transport, förvaring och kassering

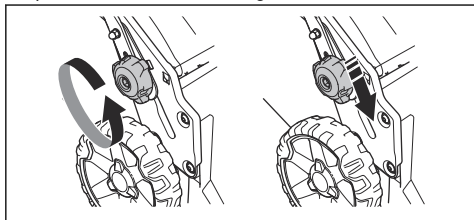
Ställa in produkten i transportläge

1. Ta bort gräsuppsamlaren (om sådan finns monterad).

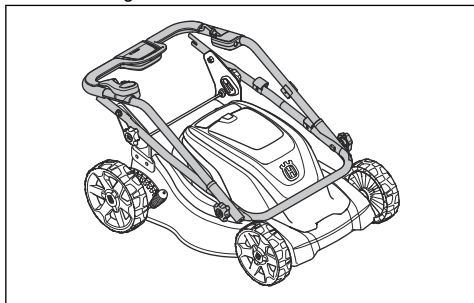
2. Lossa vreden på det övre handtaget och vik handtaget nedåt.



- Lossa de nedre vreden.
- Flytta vreden till den nedre delen av spåren på produktens vänstra och högra sida.



- Vik handtaget framåt.



Transport

- Kraven i lagstiftningen för farligt gods gäller för de medföljande litiumjonbatterierna.
- För kommersiella transporterna måste särskilda krav på förpackning och etiketter följas.
- Se till att du följer kraven gällande farligt material när du förbereder produkten för transport. Lokala föreskrifter kan gälla.
- Ta alltid loss alltid batteriet vid transport.
- Sätt tejp på batterikontakterna och se till att batteriet inte kan röra sig under transport.
- Sätt fast produkten under transport.

Förvaring

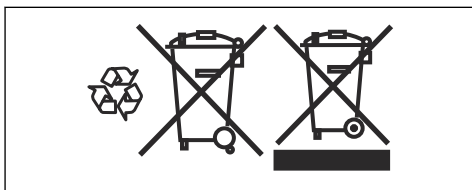
- Ta alltid ut batteriet vid förvaring.

- Förhindra olyckor genom att se till att batteriet inte är kopplat till produkten vid förvaring.
- Förvara batteriladdaren på en sluten och torr plats.
- Förvara batteriet och batteriladdaren på en torr plats där det inte finns någon fukt eller frost.
- Koppla ur batteriet från batteriladdaren vid förvaring.
- Förvara inte batteriet där statisk elektricitet kan uppkomma. Förvara inte batteriet i en metallåda.
- Förvara batteriet i temperaturer mellan 5 °C och 25 °C, och inte i direkt solljus.
- Förvara batteriladdaren i temperaturer mellan 5 °C och 45 °C, och inte i direkt solljus.
- Se till att batteriet är 30–50 % laddat innan du förvarar det under längre perioder.
- Förvara produkten, batteriet och batteriladdaren i ett låst utrymme utom räckhåll för barn och personer som inte är godkända.
- Rengör produkten och gör en fullständig service innan du ska förvara produkten under en längre tid.

Kassering

Symbolen på produkten eller dess förpackning indikerar att denna produkt inte får hanteras som hushållsavfall. Istället ska den överlämnas till lämplig återvinningsstation för återvinning av elektrisk och elektronisk utrustning.

Genom att se till att denna produkt omhändertaras ordentligt kan du hjälpa till att motverka potentiella negativa konsekvenser på miljö och människor, vilka annars kan orsakas genom oriktig avfallshantering av denna produkt. För mer detaljerad information om återvinning av denna produkt, kontakta din kommun, din hushållsavfallsservice eller affären där du köpte produkten.



Tekniska data

Tekniska data LC 141iV, LC 141i

	LC 141iV	LC 141i
Klippmotor		
Typ av motor	BLDC (borstlös) 36 V	BLDC (borstlös) 36 V
Motorvarvtal – SavE, varv/min	2 700	2 700
Motorvarvtal – nominellt, varv/min	3 100	3 100
Motorvarvtal – hög belastning, varv/min	3 700	3 700

	LC 141iV	LC 141i
Motoreffekt – max. kW	0,8	0,8
Motoreffekt – nominell, kW	0,55	0,55
Drivmotor		
Motoreffekt – nominell, kW	0,25	Ej tillämpligt
Självgående hastighet, km/h	3,0–4,5	Ej tillämpligt
Nivåer för varvtalsreglering	4	Ej tillämpligt
Vikt		
Vikt utan batteri, kg	21,5	18,6
Batteri ¹⁷⁶		
Batterityp	Husqvarna Battery-serien	Husqvarna Battery-serien
Batteritid		
Batteritid, min, (fri drift) med SavE aktiverat, med ett 5,2 Ah-batteri från Husqvarna (BLi200).	77	77
Batteritid, min, (fri drift) med standardläge aktiverat, med ett 5,2 Ah-batteri från Husqvarna (BLi200).	45	45
Emission av buller ¹⁷⁷		
Ljudeffektnivå, uppmätt dB(A)	88	88
Ljudeffektnivå, garanterad L _{WA} dB(A)	89	89
Ljudnivåer ¹⁷⁸		
Ljudtrycksnivå vid användarens öra, dB(A)	83	83
Vibrationsnivåer ¹⁷⁹		
Handtag, m/s ²	2,0	2,0
Kapning		
Klipphöjd, mm	25–70	25–70
Klippbredd, cm	41	41
Kniv, artikelnummer	Uppsamling – 5011716-01	Uppsamling – 5011716-01
Volym uppsamlare, liter	50	50

Godkända batterier	Varumärke	Type	Batterikapacitet, Ah	Spänning, V	Vikt, lb/kg
BLi10	Husqvarna	Litiumjonbatteri	2,0	36	1,8/0,8

¹⁷⁶ För bästa resultat och funktion rekommenderas Husqvarna batteri BLi200.

¹⁷⁷ Emission av buller till omgivningen uppmätt som ljudeffekt (L_{WA}) enligt EG-direktiv 2000/14/EG.

¹⁷⁸ Redovisade data för ljudtrycksnivå har ett typiskt spridningsmått (standardavvikelse) på 1,2 dB(A).

¹⁷⁹ Rapporterade data för vibrationsnivå har en typisk statistisk spridning (standardavvikelse) på 0,2 m/s².

Godkända batterier	Varumärke	Type	Batterikapacitet, Ah	Spänning, V	Vikt, lb/kg
BLi100	Husqvarna	Litiumjonbatteri	2,6	36	1,9/0,8
BLi20	Husqvarna	Litiumjonbatteri	4,0	36	2,7/1,2
BLi200	Husqvarna	Litiumjonbatteri	5,2	36	2,8/1,3
BLi300	Husqvarna	Litiumjonbatteri	9,4	36	4,1/1,9

Laddare som är godkända för de angivna batterierna,	Varumärke	Ingående spänning, V	Frekvens, Hz	Effekt, W
QC80	Husqvarna	100–240	50–60	80
QC80F	Husqvarna	12	0	80
QC250	Husqvarna	220–240	50	250
QC330	Husqvarna	100–240	50–60	330
QC500	Husqvarna	100–240	50–60	500

Tekniska data LC 141C

LC 141C	
Motor	
Motortyp	Seriens AC-motor
Motorvarvtal – nominell, v/min	3200
Kraft	1800 W
Strömkälla	Elgräsklippare med sladd
Nätsladd (medföljer endast för den brittiska marknaden)	
Sladdtyp	16M-förlängningssladd
Vikt, kg	1,6
Vikt	
Vikt, kg	20,4
Bulleremissioner ¹⁸⁰	
Ljudeffektnivå, uppmätt dB(A)	93
Ljudeffektnivå, garanterad L _{WA} dB(A)	95
Ljudnivåer ¹⁸¹	
Ljudtrycksnivå vid användarens öra, dB(A)	85
Vibrationsnivåer ¹⁸²	

¹⁸⁰ Emission av buller till omgivningen uppmätt som ljudeffekt (L_{WA}) enligt EG-direktiv 2000/14/EG.

¹⁸¹ Redovisade data för ljudtrycksnivå har ett typiskt spridningsmått (standardavvikelse) på 1,4 dB(A).

¹⁸² Rapporterade data för vibrationsnivå har en typisk statistisk spridning (standardavvikelse) på 0,2 m/s².

	LC 141C
Handtag, m/s ²	2,0
Klippning	
Klipphöjd, mm	25–70
Klippbredd, cm	41
Kniv, artikelnummer	Uppsamling 5011716-01
Volym uppsamlare, liter	50

EG-försäkringen om överensstämmelse

EG-försäkringen om överensstämmelse

Husqvarna AB, 561 82 Huskvarna, Sverige, tel: +46-36-146500, försäkras härmed att **gräsklipparna Husqvarna LC 141iV och LC 141i** från serienummer 2018XXXXXXX och uppåt samt **Husqvarna LC 141C** från serienummer 2015XXXXXXX uppfyller kraven i RÅDETS DIREKTIV:

- av den 8 juni 2011 angående "begränsning av användning av vissa farliga ämnen" **2011/65/EU**
- av den 17 maj 2006 "angående maskiner" **2006/42/EG**
- av den 26 februari 2014 "angående elektromagnetisk kompatibilitet" **2014/30/EU**
- av den 8 maj 2000 "angående emission av buller i miljö" **2000/14/EG**

Information om emission av buller finns i kapitlet Tekniska data.

Följande standarder har tillämpats för certifiering av Husqvarna LC 141iV och LC 141i: **IEC 60335-2-77:2002, IEC 60335-1:2010+A1:2013, EN 55014-1:2017, EN 55014-2:2015, EN 61000-3-2:2014, EN 61000-3-3:2013, EN 62233:2008**

Följande standarder har tillämpats för certifiering av Husqvarna LC 141C: **EN 60335-1:2012+A11:2014, EN 60335-2-77:2010, EN 62233:2008, EN 55014-1:2017+A11, EN 55014-2:2015, EN 61000-3-2:2019, EN 61000-3-11:2019**

Anmält organ: **0404, RISE SMP Svensk Maskinprovning AB, Box 7035, SE-750 07 Uppsala** har utfört en utvärdering av överensstämmelse i enlighet med bilaga VI till direktiv 2000/14/EG.

Huskvarna, 2020-10-13



Claes Losdal, utvecklingschef/trädgårdsprodukter (auktorerad representant för Husqvarna AB samt ansvarig för tekniskt underlag)

İçindekiler

Giriş.....	730	Sorun giderme.....	750
Güvenlik.....	733	Taşıma, depolama ve atma.....	751
Montaj.....	741	Teknik veriler.....	752
Çalışma.....	743	AT Uyumluluk Bildirimi.....	756
Bakım.....	748		

Giriş

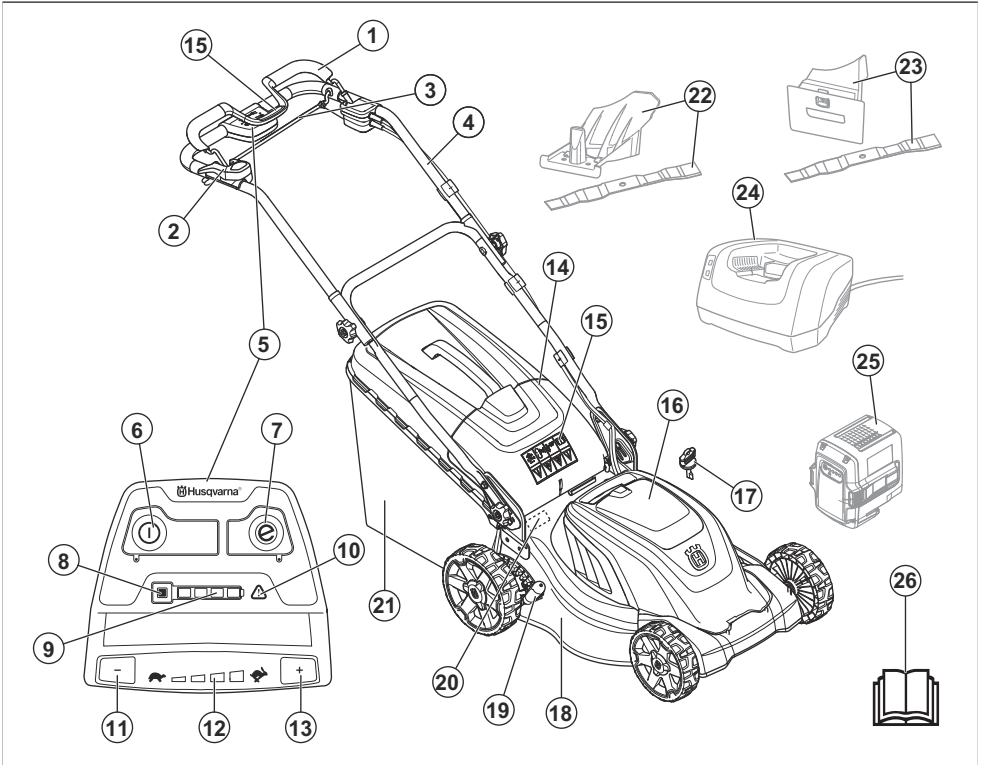
Ürün açıklaması

Ürün, yaya kumandalı bir döner çim biçme makinesidir. Çim, çim toplama sepetinde toplanır. Çimin arkadan boşaltımı için çim toplama sepetini çıkarın. Çimi gübre haline getirmek için bir malç kiti (aksesuar) takın.

Kullanım amacı

Ürünü çim biçmek için kullanın. Ürünü başka işler için kullanmayın.

Ürüne genel bakış LC 141iV / LC 141i

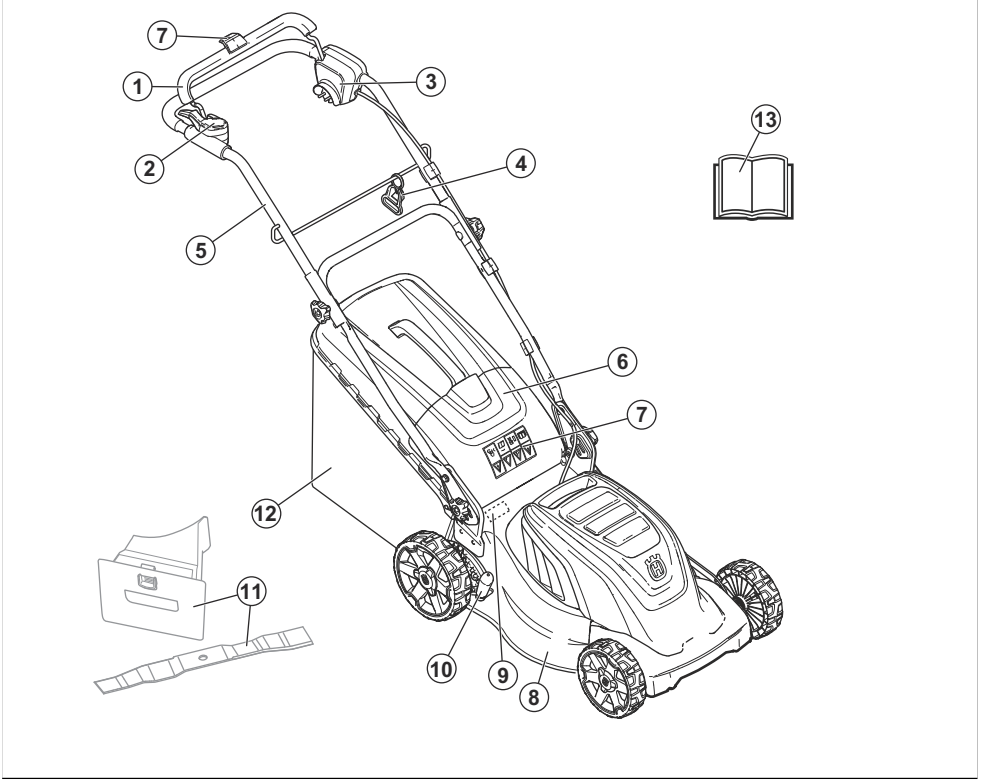


1. Motor fren kolu
2. Başlatma engelleyici
3. Tahrik kolu (LC 141iV)
4. Kol/gidon
5. Kontrol paneli
6. AÇMA/KAPAMA düğmesi
7. SavE düğmesi
8. Akü gösterge düğmesi
9. Akü şarj göstergesi
10. Uyarı göstergesi (HATA LED'i)

11. Hız düşürme düğmesi (LC 141iV)
12. Hız seviyesi göstergesi (LC 141iV)
13. Hız artırma düğmesi (LC 141iV)
14. Arka kapak
15. Semboller
16. Akü kapağı
17. Güvenlik anahtarı
18. Kesme kapağı

19. Kesme yüksekliği kolu
20. Nominal değerler plakası
21. Çim toplama sepeti
22. Malç kiti (LC 141iV için aksesuar)
23. Malç kiti (LC 141i için aksesuar)
24. Akü şarj cihazı (Aksesuar)
25. Akü (Aksesuar)
26. Kullanım kılavuzu

Ürüne genel bakış LC 141C



1. Motor fren kolu
2. Başlatma engelleyici
3. Güç kablosu soketi
4. Güç kablosu tutucusu
5. Kol/gidon
6. Arka kapak
7. Semboller
8. Kesme kapağı
9. Nominal değerler plakası
10. Kesme yüksekliği kolu
11. Malç tapası (Aksesuar)
12. Çim toplama sepeti

13. Kullanım kılavuzu

Ürün üzerindeki semboller



Ürün dikkatli ve doğru bir şekilde kullanılmazsa operatör veya yakındaki kişiler yaralanabilir veya ölebilir.



Bu ürünü kullanmadan önce kullanım kılavuzunu okuyun ve talimatları anladığınızdan emin olun.



İnsanları ve hayvanları çalışma alanından güvenli bir uzaklıkta tutun.



Atılan nesnelere ve seken cisimlere dikkat edin.



Uyarı: El ve ayaklarınızı döner bıçaktan uzak tutun.



Uyarı: El ve ayaklarınızı döner parçalardan uzak tutun.



Ürün üzerinde bakım yapmadan önce güvenlik anahtarını çıkarın. (LC 141iV/ LC 141i modeli)



Ürün üzerinde bakım yapmadan önce ürünün elektrik priziyle bağlantısını kesin. (LC 141C modeli)

IPX1

IPX1 - Ürün, su damlamasına karşı

korunmalıdır (LC 141iV/ LC 141i modelleri)

IPX4

IPX4 - Ürün su sıçramasına karşı korunmalıdır (LC 141C modeli)



Ürünü yağmurdan koruyun (LC 141iV/ LC 141i modelleri)



Uyarı: Elektrik çarpmasına veya ürünün zarar görmesine neden olabileceğinden ürünü güç kablosunun üzerinden geçirmeyin. (LC 141C modeli)

CE

Bu ürün geçerli AT direktiflerine uygundur.



Avrupa Topluluğu Direktifi uyarınca çevreye yayılan gürültü emisyonu. Ürünün emisyonu Teknik veriler bölümünde ve etiketin üstünde belirtilmektedir.



Doğru akım. 36 V



Çift yalıtım.



Bu ürünü, elektrikli ve elektronik ekipmanlara uygun bir geri dönüşüm noktasında geri dönüştürün. (Sadece Avrupa için geçerlidir)



LC 141iV/
LC 141i modeli için çalıştırma prosedürü: AÇMA/KAPAMA düğmesine basın, başlatma engelleyiciyi gevşetin, motor fren kolunu aşağı bastırın.



LC 141C modeli için çalıştırma prosedürü: başlatma engelleyiciyi gevşetin, motor fren kolunu aşağı bastırın.



Durdurmak için motor fren kolunu serbest bırakın.



Yavaş



Hızlı



Taranabilir kod

Not: Ürünün üzerindeki diğer semboller/etiketler, bazı pazarların sertifikalandırma gereklilikleri ile ilgilidir.

Ürün sorumluluğu

Ürün sorumluluğu yasalarında belirtildiği üzere;

- ürünün hatalı bir şekilde onarılması,
- ürünün, üretici tarafından onaylanmayan veya üreticiden alınmayan parçalarla tamir edilmesi,
- üründe, üreticiden alınmayan veya üretici tarafından onaylanmayan bir aksesuar bulunması,
- ve ürünün, onaylı bir servis merkezinde veya yetkili bir kurum tarafından tamir edilmemesi durumunda oluşabilecek hasarlardan sorumlu değildir.

Güvenlik

Güvenlik tanımları

Kılavuzdaki önemli kısımları vurgulamak için uyarılar ve notlar kullanılmıştır.



UYARI: Kılavuzdaki talimatlara uyulmadığı takdirde operatör veya çevredeki kişiler için ciddi yaralanma veya ölüm tehlikesi varsa kullanılır.



DİKKAT: Kılavuzdaki talimatlara uyulmadığı takdirde ürünün, diğer malzemelerin veya çevrenin zarar görme riski olduğunda kullanılır.

Not: Belirli bir durumda bilgi verilmesi gerektiğinde kullanılır.

Genel güvenlik talimatları



UYARI: Ürünü kullanmadan önce aşağıdaki uyarı talimatlarını okuyun.

- Bu ürün yanlış kullanıldığında veya dikkatli olmazsanız tehlikelidir. Güvenlik talimatlarına uyulmaması yaralanmalara veya ölüme yol açabilir.
- Bu ürün, çalışırken elektromanyetik bir alan oluşturur. Bu alan, bazı koşullarda aktif veya pasif tıbbi implantlarda girişime neden edebilir. Ciddi veya ölümcül yaralanma riskini azaltmak için tıbbi implantı olan kişilerin, bu ürünü kullanmadan önce doktorlarına ve tıbbi implant üreticilerine danışmalarını öneririz.
- Her zaman dikkatli olun ve sağduyunuzu kullanın. Özel bir durumda aracı nasıl kullanacağınızdan emin değilseniz durun ve devam etmeden önce Husqvarna yetkili satıcınızla görüşün.
- Diğer insanları veya bu insanlara ait mülkleri içeren kazalardan operatörün

sorumlu tutulacağını unutmayın.

- Ürünü temiz tutun. İşaretleri ve etiketleri net bir şekilde okuyabildiğinizden emin olun.
- Çocukların veya bu kullanma talimatlarını bilmeyen kişilerin cihazı kullanmasına asla izin vermeyin. Yerel yönetmeliklerde operatör yaşına dair bir sınırlama olabilir
- Fiziksel veya zihinsel kapasitesi düşük olan bir kişi ürünü kullanırken bu kişiyi daima gözetim altında tutun. Sorumluluk sahibi bir yetişkin her zaman orada olmalıdır.
- Ürünü yorgun, hasta veya alkol ya da ilaç etkisi altındayken kullanmayın. Bu durum görüş, dikkat, koordinasyon ve doğru bir şekilde düşünmenizi olumsuz yönde etkiler.
- Arızalıysa ürünü kullanmayın.
- Başkaları tarafından değiştirilmiş olma olasılığı varsa bu ürünü değiştirmeyin veya kullanmayın.

Çalışma alanı güvenliği



UYARI: Ürünü kullanmadan önce

aşağıdaki uyarı talimatlarını okuyun.

- Ürünü kullanmadan önce çalışma alanındaki dal, çalı çırpı ve taş gibi nesnelere alın.
- Kesme donanımına çarpan nesnelere fırlatılarak kişi ve nesnelere zarar görmesine neden olabilir. Etraftaki insanları ve hayvanları üründen güvenli bir uzaklıkta tutun.
- Ürünü sis, yağmur, kuvvetli rüzgar, şiddetli soğuk ve yıldırım düşmesi riski gibi olumsuz hava koşullarında hiçbir zaman kullanmayın. Ürünü olumsuz hava koşullarında veya nemli ya da ıslak yerlerde kullanmak yorucudur. Kötü hava, kaygan yüzeyler gibi tehlikeli koşullara neden olabilir.
- Ürünün güvenli bir şekilde çalışmasını önleyebilecek kişi, nesne ve durumlara dikkat edin.
- Kök, taş, çalı çırpı, çukur, hendek gibi engellere dikkat edin. Uzun çim nesnelere saklayabilir.
- Eğimli yerlerde çim kesmek tehlikeli olabilir. Aşırı dik eğimlerde çim biçmeyin.

Ürünü 15°'den daha eğimli zeminlerde kullanmayın

- Yokuşta yön değiştirirken çok dikkatli olun. Yokuşlarda ürünü yatay olarak kullanın. Yukarı ve aşağı hareket ettirmeyin.
- Gizli köşelere ve açık görüşü engelleyen nesnelere yanına giderken dikkatli olun.

Çalışma güvenliği



UYARI: Ürünü kullanmadan önce aşağıdaki uyarı talimatlarını okuyun.

- Bu ürünü yalnızca çimenlik alanlarda çim kesmek için kullanın. Ürünün başka işler için kullanılması yasaktır.
- Kişisel koruyucu araçlar kullanın. Bkz. *Kişisel koruyucu ekipman sayfa: 737.*
- Acil bir durumda motoru hızlı bir şekilde nasıl kapatacağınızı öğrenin.
- Ürünü yağmurda veya ıslak koşullarda çalıştırmayın. Ürünün içine su girerse elektrik çarpması riski artar.
- Bıçağı ve tüm kapakları doğru bir şekilde takmadan ürünü çalıştırmayın. Yanlış bir şekilde takılan bıçak

- gevşeyerek yaralanmanıza neden olabilir.
- Bıçağın taş veya kök gibi nesnelere çarpmamasına dikkat edin. Bu, bıçağa zarar verebilir ve motor milini bükebilir. Bükülmüş aks, ağır titreşime ve çok yüksek bir bıçak gevşemesi riskine neden olabilir.
 - Bıçak bir cisme çarpar veya titreşim oluşursa ürünü hemen durdurun. Motoru durdurun, güvenlik anahtarını 0 konumuna getirin ve aküyü çıkarın (LC 141iV ve LC 141i modellerinde) / güç kablosunun bağlantısını kesin (LC 141C modelinde). Üründe hasar olup olmadığını kontrol edin. Hasarları onarın veya yetkili bir servis noktasının onarım yapmasını sağlayın.
 - Motor çalıştırıldığında motor fren kolunu asla sürekli olarak kola takmayın.
 - Ürünü sabit ve düz bir yüzeye koyup çalıştırın. Bıçağın yere veya diğer cisimlere çarpmadığından emin olun.
 - Ürünü çalıştırırken her zaman arkasında durun.
 - Ürünü kullanırken tüm tekerleklerin yere basmasını sağlayın ve 2 elinizi kolun üzerinde tutun. Ellerinizi ve ayaklarınızı döner bıçaklardan uzakta tutun.

- Motor çalışırken ürünü yatırmayın.
- Ürünü arkaya doğru çekerken dikkatli olun.
- Motor çalışırken ürünü hiçbir zaman yukarı kaldırmayın. Ürünü kaldırmanız gerekiyorsa önce motoru durdurun, güvenlik anahtarını 0 konumuna getirin ve aküyü çıkarın (LC 141iV ve LC 141i modellerinde) / güç kablosunun bağlantısını kesin (LC 141C modelinde).
- Ürünü kullanırken arkaya doğru yürümeyin.
- Çakıl, taş ve asfalt gibi malzemelerden yapılmış, çim olmayan alanlardan geçerken motoru durdurun.
- Motor çalışırken ürünle birlikte koşmayın. Ürünü kullanırken her zaman yürüyün.
- Kesme yüksekliğini değiştirmeden önce motoru durdurun. Motor çalışırken asla ayarlama yapmayın.
- Motor çalışırken ürünün görüş alanından çıkmasına asla izin vermeyin. Motoru durdurun ve kesme donanımının dönmediğinden emin olun.

Kullanım için güvenlik talimatları

Kişisel koruyucu ekipman



UYARI: Ürünü kullanmadan önce aşağıdaki uyarı talimatlarını okuyun.

- Kişisel koruyucu ekipmanlar yaralanma riskini tamamen engelleyemez ancak bir kaza durumunda yaralanmanın derecesini azaltır. Bayinizin doğru ekipmanı seçmenize yardımcı olmasını sağlayın.
- Ağır hizmet tipi kaymayan botlar veya ayakkabılar kullanın. Açık ayakkabılar giymeyin veya çıplak ayakla yürümeyin.
- Kalın, uzun pantolonlar giyin.
- Kesme donanımını takma, kontrol etme veya temizleme gibi gerekli durumlarda koruyucu eldivenler kullanın.

Ürünün üzerindeki güvenlik aletleri



UYARI: Ürünü kullanmadan önce aşağıdaki uyarı talimatlarını okuyun.

- Güvenlik araçları arızalı olan bir ürünü kullanmayın.
- Güvenlik araçlarını düzenli olarak kontrol edin. Güvenlik araçları arızalıysa Husqvarna servis nokتانızla görüşün.

Kesme kapağını kontrol etme

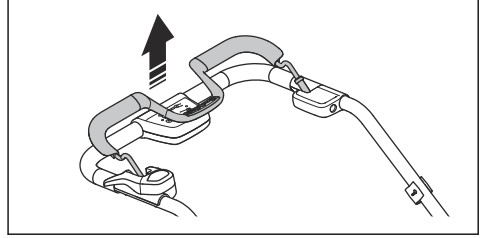
Kesme kapağı, üründeki titreşimleri ve bıçakla yaralanma riskini azaltır.

- Çatlak gibi hasarlar olmadığından emin olmak için kesme kapağını inceleyin.

Motor fren kolu

Motor fren kolu motoru durdurur. Motor fren kolu serbest bırakıldığında motor durur.

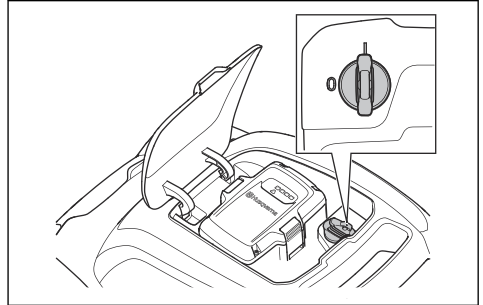
Motor frenini kontrol etmek için motoru çalıştırıp motor fren kolunu serbest bırakın. Motor 3 saniye içinde durmazsa motor frenini onaylı bir Husqvarna servis noktasına ayarlatın.



Güvenlik anahtarı (LC 141IV ve LC 141I modelleri)

Güvenlik anahtarı, akü kapağının altındadır. Güvenlik anahtarı, motora güç sağlayan aküye bağlanır.

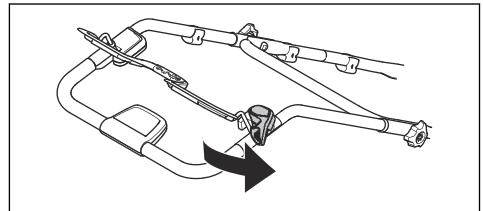
- Güvenlik anahtarını kontrol etmek için motoru çalıştırın ve durdurun.
- Güvenlik anahtarı doğru çalışıyorsa motor sadece anahtar 1 konumuna getirildiğinde çalışır.



Başlatma engelleyicinin kontrol edilmesi

Motorun çalışmasını engellediğinden emin olmak için başlatma engelleyiciyi kontrol edin.

1. Motor freni kolunu gidonun yönünde itin. Başlatma engelleyici hareketi durdurur.
2. Başlatma engelleyiciyi dışarı doğru itin.

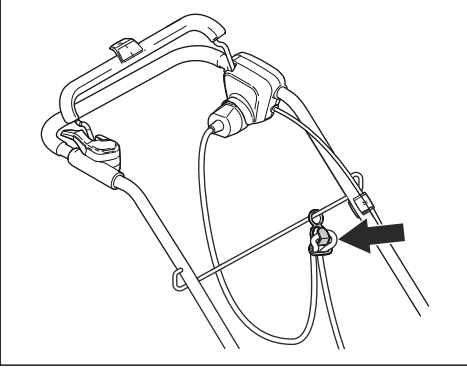


3. Başlatma engelleyiciyi serbest bırakın ve başlangıç konumuna geri döndüğünden emin olun.

Güç kablosu tutucusunu kullanma (LC 141C modeli)

Güç kablosu tutucusu, prizdeki ve güç kablosundaki gerilimi azaltır. Güç kablosu tutucusu, düşme riskinizi de azaltır.

1. Güç kablosunu bükerek küçük bir halka oluşturun.
2. Halkayı güç kablosu tutucusundaki deliğe yerleştirin.
3. Halkayı kancanın etrafına yerleştirin.
4. Kancanın etrafındaki halkayı sıkmak için güç kablosunu çekin.



Akü güvenliği



UYARI: Ürünü kullanmadan önce aşağıdaki uyarı talimatlarını okuyun.

- Yalnızca ilgili Husqvarna ürünleri için güç kaynağı olarak Husqvarna şarj edilebilir akülerini kullanın. Yaralanmayı önlemek için aküyü başka cihazların güç kaynağı olarak kullanmayın.
- Şarj edilebilir olmayan akü kullanmayın.
- Elektrik çarpması riski. Akü terminallerini anahtarlara,

madeni paralara, vidalara veya diğer metallere bağlamayın. Bu, aküde kısa devreye neden olabilir.

- Akünün hava deliklerine herhangi bir nesne koymayın.
- Aküyü doğrudan güneş ışığından, ısı kaynaklarından veya açık alevden uzak tutun. Akü patlayabilir ve yanıklara ve/veya kimyasal yanıklara neden olabilir.
- Aküyü yağmurdan ve ıslak koşullardan uzak tutun.
- Aküyü mikrodalgalardan ve yüksek basınçtan uzak tutun.
- Aküyü parçalarına ayırmaya veya kırmaya çalışmayın.
- Aküde sızıntı varsa sıvının vücudunuza veya gözlerinize temas etmesine izin vermeyin. Sıvıya dokunduysanız etkilenen bölgeyi bolca suyla yıkayın ve tıbbi yardım alın.
- Aküyü -10°C ile 40°C arasındaki sıcaklıklarda kullanın.
- Aküyü veya akü şarj cihazını suyla temizlemeyin. Bkz. *Aküyü ve şarj cihazını temizlemek için sayfada: 749.*
- Hatalı veya hasarlı aküleri kullanmayın.
- Aküleri çivi, madeni para, mücevher gibi metal

nesnelere uzak bir yerde saklayın.

Akü şarj cihazı güvenliği



UYARI: Ürünü kullanmadan önce aşağıdaki uyarı talimatlarını okuyun.

- QC akü şarj cihazlarını yalnızca Husqvarna yedek akülerini şarj etmek için kullanın.
- Elektrik çarpması veya kısa devre riski. Şarj cihazının hava deliklerine herhangi bir nesne koymayın. Akü şarj cihazını parçalarına ayırmaya çalışmayın. Şarj cihazı terminallerini metal nesnelere bağlamayın. Onaylı bir elektrik prizi kullanın.
- Bu ürün, çalışırken elektromanyetik bir alan oluşturur. Bu alan, bazı koşullarda aktif veya pasif tıbbi implantlarda girişime neden edebilir. Ciddi veya ölümcül yaralanma riskini azaltmak için tıbbi implantı olan kişilerin, bu ürünü kullanmadan önce doktorlarına ve tıbbi implant üreticilerine danışmalarını öneririz.
- Akü şarj cihazının güç kablosunun hasarlı olmadığını ve üzerinde çatlaklar bulunmadığını düzenli olarak kontrol edin.
- Akü şarj cihazını güç kablosundan tutup kaldırmayın. Akü şarj cihazını elektrik prizinden çıkarmak için fişi çekin. Güç kablosunu çekmeyin.
- Güç kablosunu ve uzatma kablolarını sudan, yağdan ve keskin kenarlı cisimlerden uzak tutun. Kabloların kapılara, çitlere veya benzeri yerlere sıkışmadığından emin olun. Bu durum şarj cihazının elektrik yüklenmesine sebep olabilir.
- Akü şarj cihazını suyla temizlemeyin.
- Akü şarj cihazı, gözetim altında tutuldukları ya da akü şarj cihazının güvenli şekilde kullanımına ilişkin talimatlar sağlandığı ve gerçekleştirilecek tehlikeler açıklandığı sürece 8 yaş ve üzeri çocuklar ve fiziksel, duyuşal veya zihinsel yetenekleri sınırlı olan ya da yetersiz deneyim ve bilgiye sahip kişiler tarafından kullanılabilir. Çocuklar akü şarj cihazı ile oynamamalıdır. Temizlik ve kullanıcı bakım işlemleri gözetim olmadan

- çocuklar tarafından gerçekleştirilmemelidir.
- Şarj edilemeyen aküleri akü şarj cihazında şarj etmeyin.
 - Akü şarj cihazını, yanıcı malzemelerin veya korozyona neden olabilecek malzemelerin yakınında kullanmayın. Akü şarj cihazının üzerini kapatmayın. Duman veya ateş çıkması durumunda akü şarj cihazının fişini çekip çıkarın.
 - Hatalı veya hasarlı akü şarj cihazlarını kullanmayın.
 - Aküyü yalnızca kapalı alanda, iyi hava akışı olan ve güneş ışığından uzak bir odada şarj edin. Aküyü ıslak koşullarda şarj etmeyin.

Güç kablosu güvenliği

LC 141C modeli için.

- Maksimum 30 mA kesme akımına sahip bir Artık Akım Cihazı (R.C.D.) kullanılması önerilir. R.C.D. takılıyken bile %100 güvenlik garantisi edilemez ve güvenli çalışma prosedürlerine her zaman uyulması gerekir. Her kullanımda R.C.D.nizi kontrol edin.
- Güç kablosunda kesik veya yalıtımda hasar varsa derhal elektrik şebekesiyle bağlantısını kesin.

- Elektrik kaynağı bağlantısı kesilmeden kesik veya hasar görmüş güç kablolarına dokunmayın.
- Kopmuş veya hasarlı güç kablolarını onarmayın. Yenisiyle değiştirin.

Bakım için güvenlik talimatları



UYARI: Ürünü kullanmadan önce aşağıdaki uyarı talimatlarını okuyun.

- LC 141iV, LC 141i modeli için: Bakım sırasında yanlışlıkla çalıştırmayı önlemek için güvenlik anahtarını 0 konumuna getirin ve aküyü çıkarın. Bakıma başlamadan önce en az 5 saniye bekleyin.
- LC 141C modeli için: Bakım sırasında yanlışlıkla çalıştırmayı önlemek için güç kablosunu çıkarın.
- Ürünün ömrünü uzatmak ve kaza riskini azaltmak için bakım işini doğru şekilde yapın. Onaylı bir servis noktasında profesyonel onarım yaptırın. Daha fazla bilgi için size en yakın servis noktası ile görüşün.
- Yalnızca bu kullanım kılavuzunda belirtilen bakım çalışmasını yapın. Bu kapsamın dışındaki işlemler onaylı bir servis noktası tarafından yapılmalıdır.

- Kesme donanımını kullanırken ağır hizmet tipi eldiven giyin. Bıçak çok keskindir ve kolaylıkla kesiklere yol açabilir.
- En iyi ve en güvenli performans için kesme kenarlarının keskin ve temiz olmasına özen gösterin.
- Servis noktanızın düzenli olarak ürünü kontrol etmesini ve gerekli ayarları ve onarımları yapmasını sağlayın.
- Hasarlı, aşınmış veya bozuk parçaları değiştirin.
- Aksesuar değiştirmeye ilgili talimatlara uyun. Yalnızca üreticiden gelen aksesuarları kullanın.
- Çalışmadığı zaman ürünü, aküyü ve akü şarj cihazını ayrı olarak kuru, kapalı ve kilitli bir alanda saklayın. Çocukların ve onaylı olmayan kişilerin ürüne, aküye veya akü şarj cihazına erişemediklerinden emin olun.

Montaj

Giriş



UYARI: Ürünü monte etmeden önce, güvenlik bölümünü okuyun.

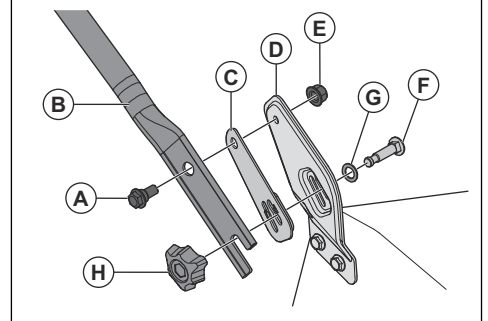


UYARI: LC 141iV, LC 141i modeli için: Montaj sırasında yanlışlıkla çalıştırmayı önlemek için güvenlik anahtarını 0 konumuna getirin, aküyü çıkarın ve en az 5 saniye bekleyin.

LC 141C modeli için: Montaj sırasında yanlışlıkla çalıştırmayı önlemek için güç kablosunu çıkarın.

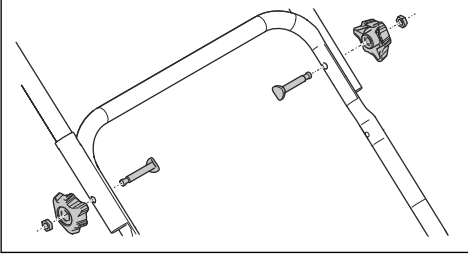
Tutma yerini takma

1. Vidayı (A) iterek tutma yerinin (B), plastik pulun (C) ve tutma yeri destek braketinin (D) içinden geçirin.

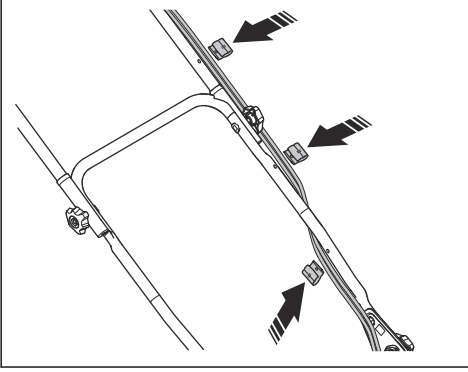


2. Somunu (E) tamamen sıkın.
3. Vidayı (F) iterek pulun (G) ve tutma yeri destek braketinin içinden geçirin.
4. Topuzu (H) tamamen sıkın.

5. Tutma çubuğundaki delikleri alt koldaki deliklerle hizalayıp vidaları, rondelaları ve düğmeleri takın. Düğmeleri tamamen sıkın.

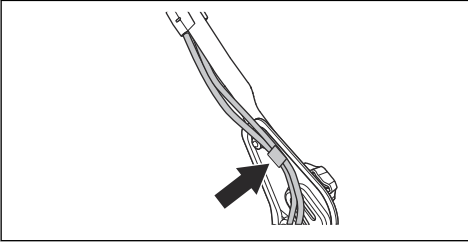


6. Kabloları, kablo tutucuların yardımıyla kola takın.



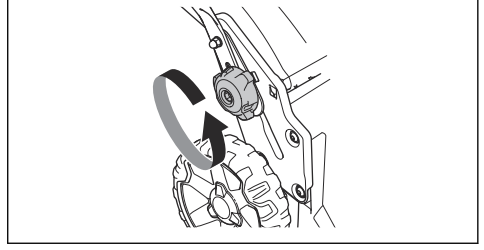
Not: Kabloların gerginliğinin çok yüksek olmadığından emin olun. Çok yüksek gerginlik, kol nakliye konumuna katlandığında kabloların hasar görmesine neden olabilir.

7. Kabloları kolun alt kısmındaki kancanın etrafına yerleştirin.

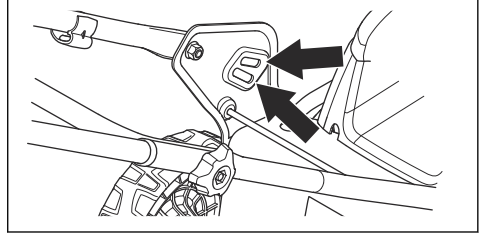


Kol yüksekliğini ayarlama

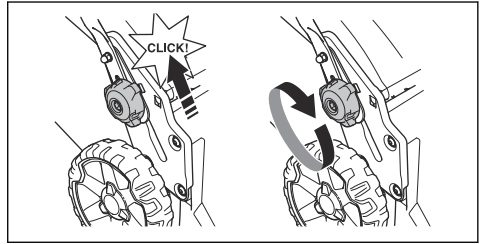
1. Alt düğmeleri gevşetin.



2. Sol ve sağ taraftaki düğmeyi, rondelayı ve vidayı çıkarın.
3. Kol, 2 farklı seviyeye ayarlanabilir. Vidayı sol ve sağ taraftaki 2 delikten birine takın.

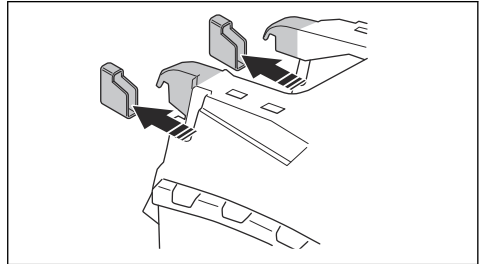


4. Vidaları, rondelaları ve düğmeleri takın.
5. Düğmeleri durana ve tık sesi duyulana kadar kol yönünde yukarı hareket ettirin. Düğmeleri tamamen sıkın.

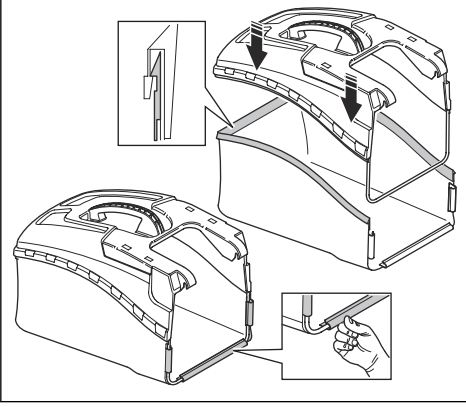


Çim toplama sepetinin takılması

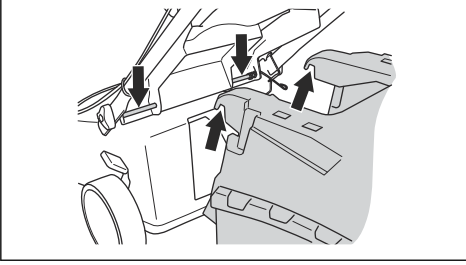
1. 2 taşıma kapağını dışarı ve aşağı doğru itin.



- Çim toplama sepetinin üst parçasını alt parçasının üzerine yerleştirin. Çim toplama sepeti çerçevesini kiplerle sabitleyin.

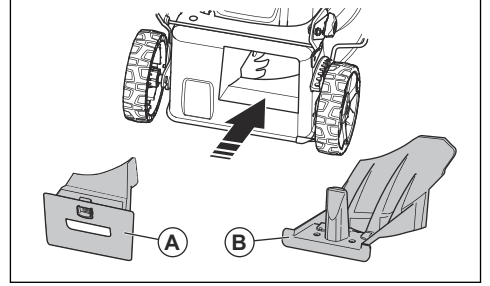


- Arka kapağı kaldırın.
- Çim toplama sepetinin üzerindeki kancaları şasinin üst kenarına geçirin.



Malçlama kitinin takılması

- Arka kapağı kaldırın ve çim toplama sepetini sökün.
- Malç tapasını çim boşaltma kanalının içine yerleştirin. A tipi malç tapası LC 141i ve LC 141C modelleri içindir. B tipi LC 141iV ürünü içindir.



- Arka kapağı kapatın.
- Bıçağı, Kombi bıçağıyla değiştirin, bkz. *Bıçağın sökülmesi ve değiştirilmesi sayfa: 749.*

Çalışma

Giriş



UYARI: Ürünü kullanmadan önce güvenlik bölümünü okuyup anlamalısınız.

Husqvarna Connect

Husqvarna Connect, mobil cihazınız için ücretsiz bir uygulamadır. Husqvarna Connect uygulaması, Husqvarna ürününüz için ayrıntılı işlevler sunar:

- Ayrıntılı ürün bilgileri.
- Ürün parçaları ve servis hakkında bilgi ve yardım.

Husqvarna Connect uygulamasını kullanmaya başlamak için

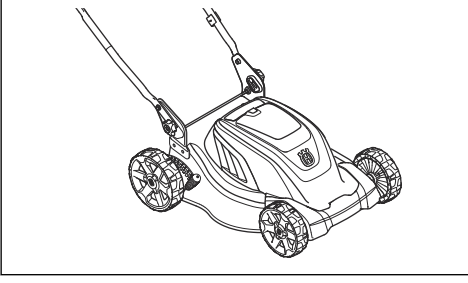
- Husqvarna Connect uygulamasını mobil cihazınıza indirin.
- Husqvarna Connect uygulamasında kaydolun.

- Ürünü bağlamak ve kaydetmek için Husqvarna Connect uygulamasındaki talimatları izleyin.

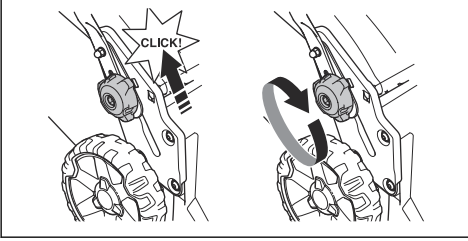
Ürünü çalıştırma konumuna getirme

Kol, nakliye ve depolama konumuna getirilirse (bkz. *Ürünü taşıma konumuna getirme sayfa: 751*) kolu çalışma konumuna almak için aşağıdaki prosedürü uygulayın.

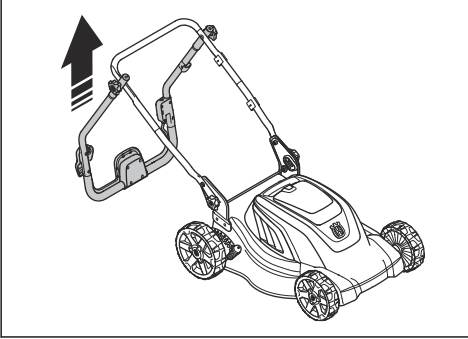
1. Kolu, alt kol çalışma konumuna kilitlenene kadar kaldırın.



2. Alt düğmeleri durana ve tık sesi duyulana kadar kol yönünde yukarı doğru hareket ettirin.



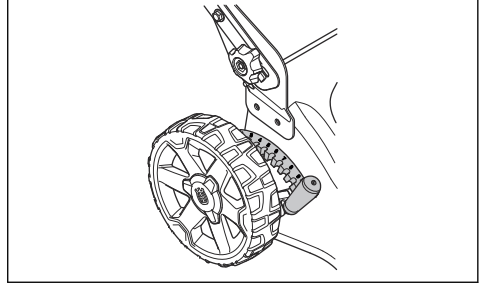
3. Düğmeleri sıkın.
4. Üst kolu kaldırın ve düğmeleri sıkın.



Kesme yüksekliğini ayarlama

1. Kesme yüksekliğini artırmak için kesme yüksekliği kolunu arkaya getirin.

2. Kesme yüksekliğini azaltmak için kesme yüksekliği kolunu öne getirin.



DİKKAT: Kesme yüksekliğini çok alçakta belirlemeyin. Çimenlik alanın yüzeyi düz değilse bıçaklar yere çarpabilir.

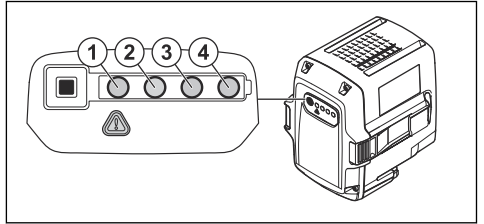
Akü



UYARI: Aküyü kullanmadan önce güvenlik bölümünü okuyup anlamalısınız. Akü ve akü şarj cihazına ait kullanım kılavuzunu da okuyup anlamalısınız.

Akü durumu

Ekranda, kalan akü kapasitesi ve aküyle ilgili sorun olup olmadığı gösterilir. Akü kapasitesi, ürün kapatıldıktan veya akü gösterge düğmesine basıldıktan sonra 5 saniye süreyle gösterilir. Bir hata meydana geldiğinde akünün üzerindeki uyarı simgesi yanar. Bkz. *Akü sayfada: 750.*



LED ışıkları	Akü durumu
Tüm LED'ler yanmaktadır	Tamamen dolu (%75-100)
LED 1, LED 2, LED 3 yanıyor	Akü %50-%75 dolu
LED 1, LED 2 yanıyor	Akü %25-%50 dolu
LED 1 yanıyor	Akü %0-%25 doludur.
LED 1 yanıp sönüyor	Akü boş. Aküyü şarj edin.

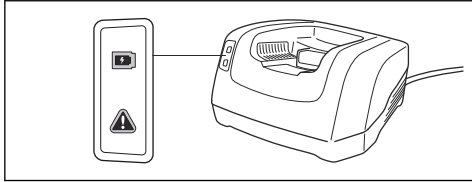
Aküyü şarj etme

İlk kullanımdan önce aküyü şarj edin. Akü, müşteriye tedarik edildiğinde yalnızca %30 oranında doludur.

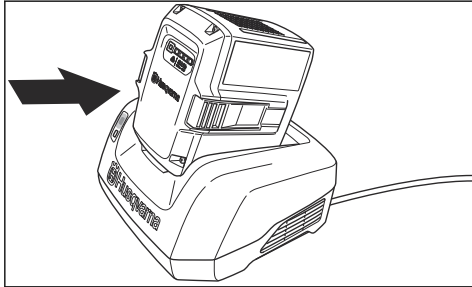
Not: Akü şarj cihazı, nominal değerler plakasında belirtilen voltaj ve frekansa bağlanmalıdır.

Akü sıcaklığı 50°C'nin üzerindeyse akü şarj olmaz. Akü şarj cihazı, şarj işlemine başlamadan önce akünün sıcaklığını düşürür.

1. Akü şarj cihazının güç kablosunun bir ucunu akü şarj cihazının soketine bağlayın.
2. Akü şarj cihazının güç kablosunun diğer ucunu topraklamalı bir elektrik prizine bağlayın. Akü şarj cihazındaki LED bir kez yeşil renkte yanıp söner.



3. Aküyü şarj cihazına yerleştirin. Akü, akü şarj cihazına doğru şekilde bağlandığında, şarj cihazı üzerindeki yeşil ışık yanar.



4. Akü üzerindeki tüm LED'ler yandığında akü tam olarak şarj olmuştur. Aküyü en fazla 24 saat boyunca şarj edin.
5. Akü şarj cihazını elektrik prizinden çıkarmak için güç kablosunu değil fişi çekin.
6. Aküyü şarj cihazından çıkarın.

Akü şarj durumu

Bir Husqvarna Lityum iyon akü tüm şarj seviyelerinde şarj edilebilir veya kullanılabilir. Akü bundan zarar görmez. Tamamen şarj olmuş bir akü, şarj cihazının içinde kalırsa akünün şarjı azalmaz.

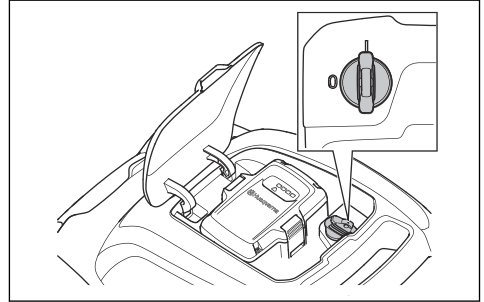
LED ekran	Şarj durumu
LED 1 yanıp sönüyor	%0-%25
LED 1 yanıyor, LED 2 yanıp sönüyor	%25-%50

LED ekran	Şarj durumu
LED 1, LED 2 yanıyor, LED 3 yanıp sönüyor	%50-%75
LED 1, LED 2, LED 3 yanıyor, LED 4 yanıp sönüyor	%75-%100
LED 1, LED 2, LED 3, LED 4 yanıyor	Tamamen dolu

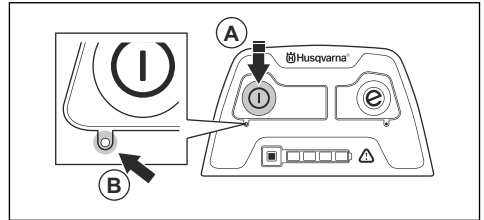
LC 141iV ve LC 141i modellerini çalıştırma

Ürünü çalıştırma

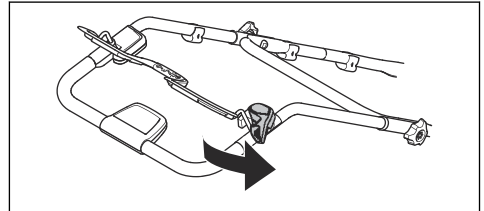
1. Akü bölmesine şarj olmuş bir akü yerleştirin.
2. Güvenlik anahtarını 1 konumuna getirin.



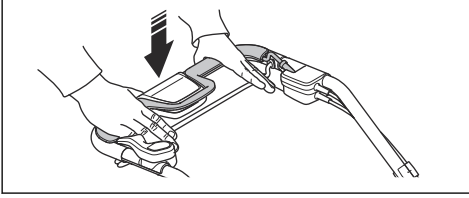
3. Ürünün arkasında durun.
4. Kontrol panelindeki AÇMA/KAPAMA düğmesine (A) basın, yeşil LED (B) yanar.



5. Başlatma engelleyiciyi gevşetin.

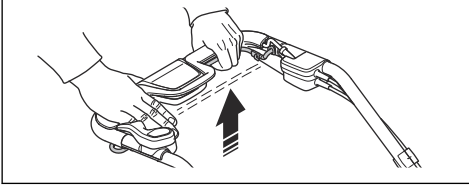


6. Motor freni kolunu gidonun yönünde itin.

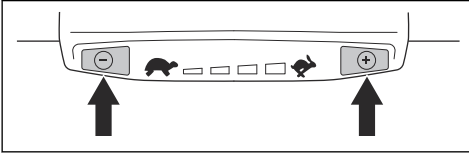


Tekerleklerde tahriki kullanma

- LC 141iV modeli. Tahriki başlatmak için tahrik kolunu gidonun yönünde çekin.



- Tahrik hızını 4 adımda ayarlamak için kontrol panelinde + ve - öğelerine basın.

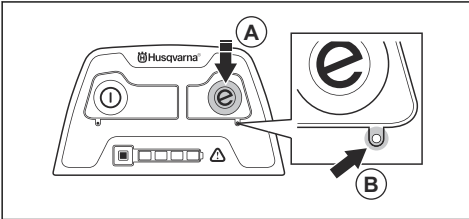


- Örneğin bir engelle yaklaştığınızda, tahriki devre dışı bırakmak için tahrik kolunu serbest bırakın.

SavE işlevinin kullanılması

Üründe, daha uzun süre çalışma sağlayan bir akü tasarruf işlevi (SavE) bulunur.

1. İşlevi başlatmak için SavE düğmesine (A) basın. Yeşil LED yanar.



2. İşlevi durdurmak için SavE düğmesine tekrar basın. Yeşil LED (B) söner.

Zemin koşulları daha yüksek bir çıkış gerektirirse SavE işlevi otomatik olarak durur. Zemin koşulları uygun olduğunda SavE işlevi otomatik olarak çalışır.

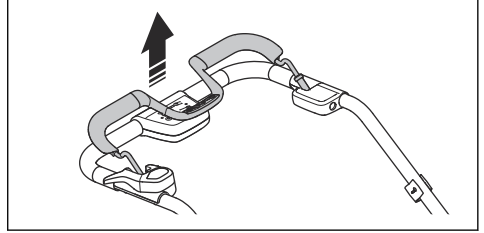
Yüksek yük işlevi

Ürün uzun veya ıslak çimi keserken motor otomatik olarak devri yükseltir. Yüksek yük gerektirmediğinde motor, standart moda geri döner.

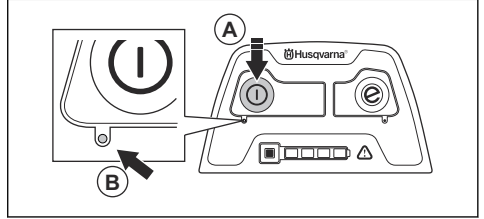
Ürünü durdurma

10 dakika boyunca çalıştırmazsanız ürün otomatik olarak durur. Ürünü görüş alanınızın dışında bırakmadan önce güvenlik anahtarını her zaman 0 konumuna getirin.

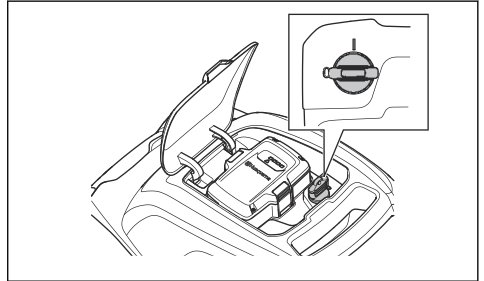
1. Motoru durdurmak için motor fren kolunu serbest bırakın.



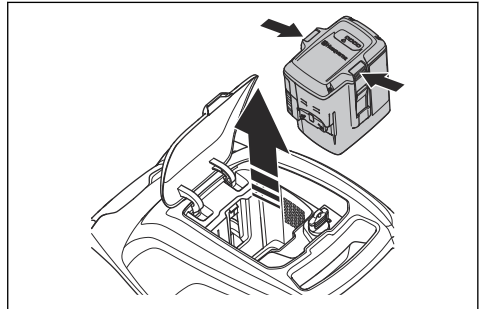
2. Kontrol panelindeki AÇMA/KAPAMA düğmesine (A) basın, yeşil LED (B) söner.



3. Akü kapağını açın ve güvenlik anahtarını 0 konumuna getirin.



4. Aküyü çıkarmak için 2 serbest bırakma düğmesine basın ve aküyü çekip çıkarın.



5. Akünün gücü zayıfsa aküyü şarj edin. Daha fazla bilgi için bkz. *Aküyü şarj etme sayfa: 745.*

Çalıştırma LC 141C

Onaylı bir kablo seçme (LC 141C)

Not: Birleşik Krallık pazarı için yalnızca ürünle birlikte verilen 16M uzatma kablosunu kullanın. Diğer tüm pazarlar için aşağıdaki bilgilere başvurun.

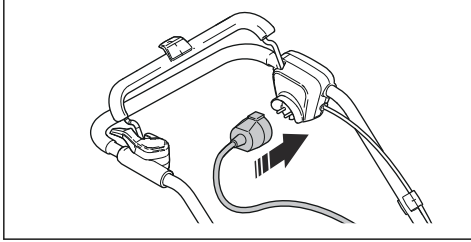
Uzatma kabloları kullanılıyorsa bunların aşağıda yer alan minimum kablo kesitlerine uygun olması gerekir:

Voltaj	Kablo uzunluğu	Kablo kesiti
220-240 V/ 50 Hz	En fazla 20 m	1,5 mm ²
220-240 V/ 50 Hz	20-50 m	2,5 mm ²

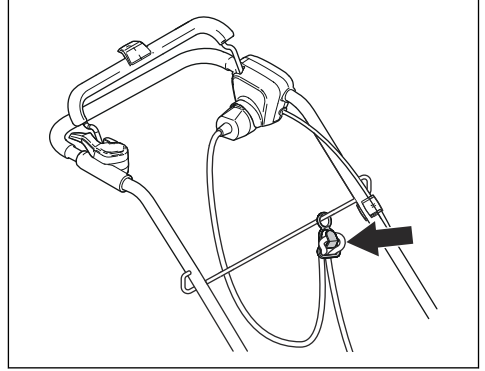
- Dış mekan ürünü olan Husqvarna için şebeke kabloları ve uzatma kabloları bölgenizdeki onaylı servis noktasında bulunur.
- Yalnızca dış mekanda kullanıma özel tasarlanmış ve aşağıda yer alan teknik özelliklerden birine uyan uzatma kablolarını kullanın: Standart kauçuk (60245 IEC 53), Standart PVC (60227 IEC 53) veya Standart PCP (60245 IEC 57)
- Kablo hasarlıysa tehlikeleri önlemek için üretici, servis noktası veya benzer nitelikte bir kişi tarafından değiştirilmelidir.

Ürünü çalıştırma

1. Kolun altındaki sokete bir güç kablosu bağlayın.

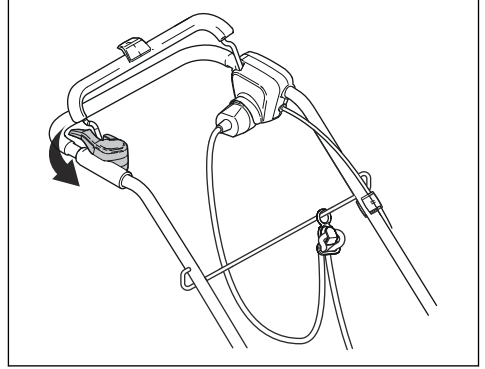


2. Güç kablosunu, güç kablosu tutucusuna yerleştirin. Bkz. *Güç kablosu tutucusunu kullanma (LC 141C modeli) sayfa: 738.*

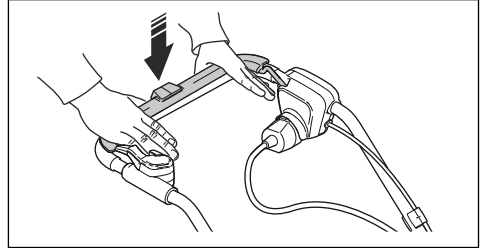


3. Ürünün arkasında durun.

4. Başlatma engelleyicisini gevşetin.

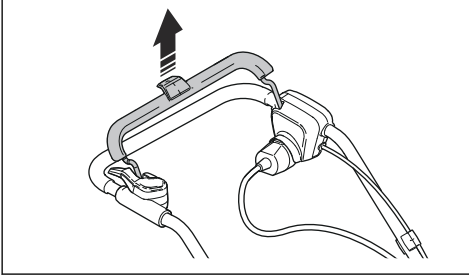


5. Motor freni kolunu gidonun yönünde itin.

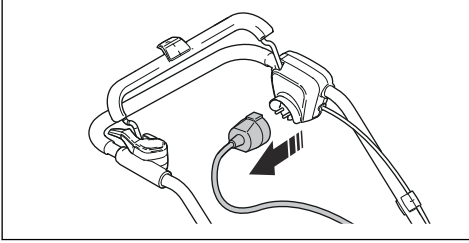


Ürünü durdurma

1. Motoru durdurmak için motor fren kolunu serbest bırakın.



2. Güç kablosunun elektrik şebekesiyle ve ardından ürünle bağlantısını kesin.



DİKKAT: Fişi düz bir doğrultuda çekin. Güç kablosunu çekmeyin.

İyi sonuç alma

- Her zaman keskin bıçak kullanın. Kör bıçak, düzensiz bir sonuç verir ve çim kesme yüzeyi sarı olur. Ayrıca keskin bıçak kör bıçaktan daha az güç kullanır.
- Çim boyunun 1/3'ünden fazlasını kesmeyin. Önce kesme yüksekliği yüksek ayardayken kesmeye başlayın. Sonucu inceleyin ve kesme yüksekliğini uygun seviyeye indirin. Çimler çok uzunsa makineyi yavaş kullanın ve gerekirse 2 kere kesin.
- Her seferinde farklı yönlerde keserek çimenlik alanda çizgi oluşmasını önleyin.

Bakım

Giriş



UYARI: Bakım yapmadan önce güvenlik bölümünü okuyup anlamanız gerekir.

Ürüne uygulanacak tüm servis ve onarım işlemleri için özel eğitim gereklidir. Profesyonel onarım ve servis hizmetlerinin mevcut bulunduğunu garanti etmekteyiz.

Yetkili satıcınız servis noktası değilse kendisiyle görüşüp en yakınınızdaki servis noktası hakkında bilgi edinin.

Bakım takvimi

Bakım aralıkları, ürünün günlük kullanımına göre hesaplanır. Ürün her gün kullanılmazsa aralıklar değişir.

* İşaretli bakım işlemleri için bkz. *Ürünün üzerindeki güvenlik aletleri sayfa: 737.*

LC 141iV, LC 141i ve LC 141C	Her kullanımda	Aylık olarak	Her mevsimde
Genel inceleme yapma.	X		
Ürünü temizleme.	X		
Başlatma engelleyiciyi kontrol etme *.	X		
Üründeki güvenlik araçlarının hatalı olmadığından emin olma *.	X		
Kesme donanımını inceleme.	X		
Kesme kapağını inceleme *.	X		
Motor fren kolunu kontrol etme *.	X		

Yalnızca LC 141iV ve LC 141i	Her kulla- nımda	Aylık ola- rak	Her mev- simde
AÇMA/KAPAMA düğmesinin doğru şekilde çalıştığından ve hatalı olmadığından emin olma.	X		
Aküde hasar kontrolü yapma.	X		
Akü şarjını kontrol etme.	X		
Aküdeki serbest bırakma düğmelerinin doğru şekilde çalıştığından ve akünün ürüne sabitlendiğinden emin olma.	X		
Akü şarj cihazında hasar kontrolü yapma ve cihazın doğru şekilde çalıştığından emin olma.		X	
Akü ile ürün arasındaki bağlantıları kontrol etme. Akü ile akü şarj cihazı arasındaki bağlantıyı kontrol etme.			X

Genel denetim yapma

- Ürünün üzerindeki somun ve vidaların sıkı olduğundan emin olun.
- Üründeki kabloların hasar görebilecekleri bir konumda olmadığından emin olun.

Ürünün temizlenmesi

- Plastik parçaları temiz ve kuru bir bezle temizleyin.
- Ürünü temizlemek için su kullanmayın. Aküye veya motora su girebilir ve üründe kısa devreye veya hasara neden olabilir.
- Ürünü temizlemek için yüksek basınçlı yıkayıcı kullanmayın.
- Motora doğrudan su tutmayın.
- Yaprak, çim ve kirleri gidermek için fırça kullanın.

Aküyü ve şarj cihazını temizlemek için



DİKKAT: Aküyü veya akü şarj cihazını suyla temizlemeyin.

- Aküyü akü şarj cihazına yerleştirmeden önce akünün ve akü şarj cihazının temiz ve kuru olduğundan emin olun.
- Akü terminallerini basınçlı hava ile temizleyin veya yumuşak ve kuru bir bez ile silin.
- Akü ve akü şarj cihazının yüzeylerini yumuşak ve kuru bir bezle temizleyin.

Kesme donanımını kontrol etme



UYARI: LC 141iV ve LC 141i modelleri için: Yanlışlıkla çalıştırmayı önlemek için güvenlik anahtarını 0 konumuna getirin, aküyü çıkarın ve en az 5 saniye bekleyin.

LC 141C modeli için: Yanlışlıkla çalıştırmayı önlemek için güç kablosunu çıkarın.



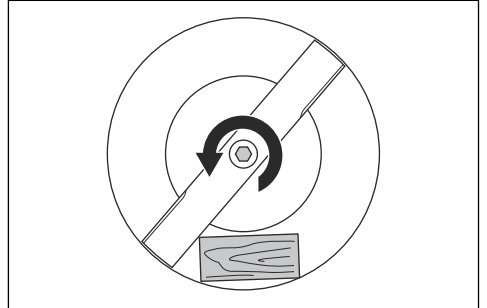
UYARI: Kesme donanımına bakım yaptığınızda koruyucu eldivenler kullanın. Bıçak çok keskindir ve kolaylıkla kesiklere yol açabilir.

1. Kesme donanımında hasar veya çatlak olup olmadığını inceleyin. Hasarlı bir kesme donanımını kesinlikle değiştirin.
2. Hasarlı veya kör olup olmadığını anlamak için bıçağa bakın.

Not: Bilendikten sonra bıçağı dengelemek gerekir. Bıçağın bir servis merkezinde bilenmesini, değiştirilmesini ve dengelenmesini sağlayın. Ürünün durmasına neden olan bir engele çarparsanız hasarlı bıçağı değiştirin. Bıçağın bilenip bilenmeyeceğini veya değiştirmek gerekmediğine servis merkezinin karar vermesini sağlayın.

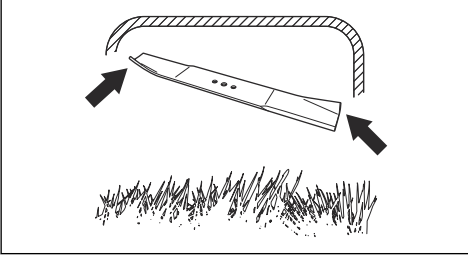
Bıçağın sökülmesi ve değiştirilmesi

1. Bıçağı ahşap bir blokla kilitleyin.



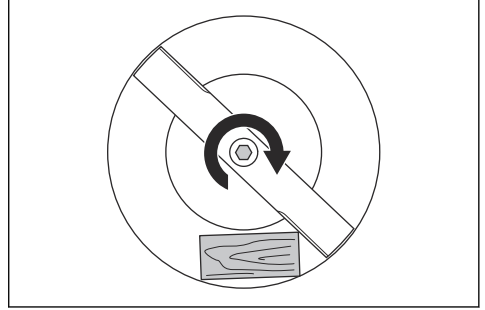
2. Bıçak civatasını sökün.
3. Bıçağı sökün.

4. Bıçak desteğinde ve bıçak civatasında hasar olup olmadığını kontrol edin.
5. Bükülmediğinden emin olmak için motor milini inceleyin.
6. Yeni bıçak taktığınızda bıçağın açılı uçlarını kesme kapağı yönüne çevirin.



7. Bıçağın, motor milinin orta kısmıyla hizalandığından emin olun.

8. Bıçağı ahşap bir blokla kilitleyin. Yaylı rondelayı takip civatayı ve rondelayı 20 Nm torkla sıkın.



9. Bıçağı elinizle çekerek döndürün ve serbestçe döndüğünden emin olun.



UYARI: Ağır hizmet tipi eldiven kullanın. Bıçak çok keskindir ve kolaylıkla kesiklere yol açabilir.

10. Bıçağı test etmek için ürünü çalıştırın. Bıçak doğru bir şekilde takılmadıysa üründe titreşim olur veya kesme işleminin sonucu başarısızdır.

Sorun giderme

Akü

Aküdeki LED	Neden	Çözüm
Yeşil LED yanıp sönüyor.	Akü voltajı düşüktür.	Aküyü şarj edin. Bkz. <i>Aküyü şarj etme sayfa: 745.</i>
Hata LED'i yanıp sönüyor.	Akünün gücü zayıftır.	Aküyü şarj edin. Bkz. <i>Aküyü şarj etme sayfa: 745.</i>
	Çalışma ortamındaki sıcaklık çok yüksek veya çok düşüktür.	Aküyü -10°C ile 40°C arasındaki sıcaklıklarda kullanın.
	Yüksek voltaj.	Şebeke voltajının, ürünün nominal değerler plakasındakiyle aynı olduğundan emin olun. Aküyü şarj cihazından çıkarın. 5 saniye bekleyin ve aküyü şarj etmeyi tekrar deneyin. Sorun devam ederse yetkili bir servis noktasıyla görüşün.
Hata LED'i yanıyor.	Hücreler arasındaki fark çok büyük (1 V).	Onaylı bir servis noktasıyla görüşün.

Akü şarj cihazı

Akü şarj cihazındaki LED	Neden	Çözüm
Hata LED'i yanıp sö-nüyor.	Çalışma ortamındaki sıcaklık çok yüksek veya çok düşüktür.	Akü şarj cihazını 5°C ile 40°C arasındaki sıcaklıklarda kullanın.
Hata LED'i yanıyor.		Onaylı bir servis noktasıyla görüşün.

Kontrol paneli

Bu bölümde yer alanların dışındaki sorunlar için servis noktanızla görüşün.

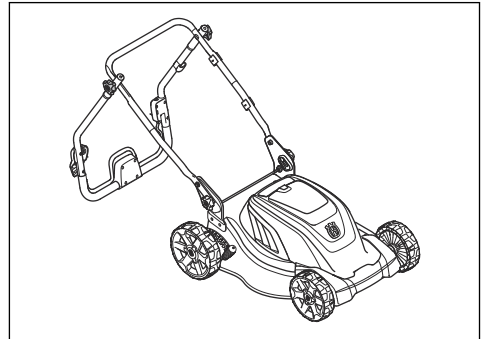
Tuş takımı	Olası arızalar	Olası işlem
Hata LED'i yanıp sö-nüyor	Motor aşırı yüklüdür	Kesme yüksekliğini artırın. Bkz. <i>Kesme yüksekliği- ni ayarlama sayfa: 744.</i>
	Motor devri çok düşüyor ve motor du-ruyor	
	Motor denetleyicisi çok sıcak	Motoru durdurun ve soğuyana kadar bekleyin
	Bıçak engelleniyor	Yanlışlıkla çalıştırmayı önlemek için güvenlik anahtarını 0 konumuna getirin, aküyü çıkarın ve en az 5 saniye bekleyin. Bıçağın rahat dönebildi-ğinden emin olun. Sorun devam ederse yetkili bir servis noktasıyla görüşün
Ürün duruyor	Aküyü hatası oluştu veya akü sinyali yok	Aküyü ürüne doğru şekilde yerleştirin ve akü konektörünü kontrol edin. Aküdeki hata LED'i yanıp sönerse bkz. <i>Akü sayfa: 750.</i>
	Akünün gücü zayıftır	Aküyü şarj edin. Bkz. <i>Aküyü şarj etme sayfa: 745.</i>
	Akü konektörü arızası	Akü konektörünü kontrol edin

Taşıma, depolama ve atma

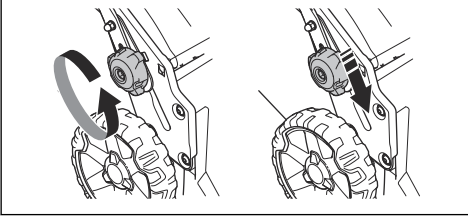
Ürünü taşıma konumuna getirme

1. Çim toplama sepetini çıkarın (varsa).

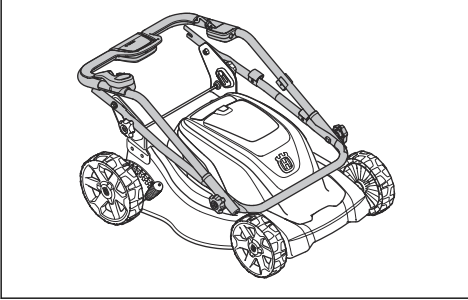
2. Üst koldaki düğmeleri gevşetin ve kolu aşağı doğru katlayın.



- Alt düğmeleri gevşetin.
- Düğmeleri ürünün sol ve sağ tarafındaki girintilerin alttaki ucuna getirin.



- Kolu öne doğru katlayın.



Taşıma

- Ürün içindeki Lityum iyon aküler Tehlikeli Maddeler Kanunu gerekliliklerine tabidir.
- Ticari amaçlı taşımalarda, paketteki ve etiketlerdeki özel gerekliliklere uyulmalıdır.
- Ürünü taşıma için hazırlarken tehlikeli malzeme yönetmeliklerine uyduğunuzdan emin olun. Yerel yönetmelikler uygulanabilir.
- Ürünü taşıırken aküyü kesinlikle çıkarın.
- Akü konektörlerine bant yapıştırın ve taşıma sırasında akünün hareket edemeyeceğinden emin olun.
- Taşıma sırasında ürünü bağlayın.

Saklama

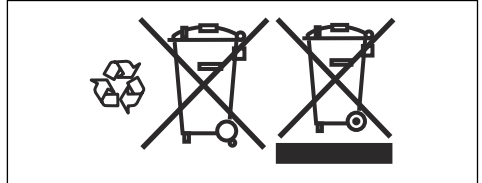
- Ürünü depolarken aküyü kesinlikle çıkarın.

- Kazaları önlemek için depolama sırasında akünün ürüne bağlı olmadığından emin olun.
- Akü şarj cihazını kapalı ve kuru bir alanda tutun.
- Aküyü ve akü şarj cihazını, nem veya don olmayan kuru bir alanda tutun.
- Depolama sırasında aküyü şarj cihazından ayırın.
- Aküyü, statik elektrik oluşabilecek yerlerde tutmayın. Aküyü metal bir kutuda tutmayın.
- Aküyü, sıcaklığın 5°C ile 25°C arasında olduğu ve güneş ışığı almayan yerlerde tutun.
- Akü şarj cihazını, sıcaklığın 5°C ile 45°C arasında olduğu ve güneş ışığı almayan yerlerde tutun.
- Uzun süreli depolamadan önce akünün %30 - %50 dolu olduğundan emin olun.
- Ürünü, aküyü ve akü şarj cihazını, çocukların ve onaylı olmayan kişilerin erişemeyeceği kilitli bir alanda tutun.
- Uzun süreli depolamadan önce ürünü temizleyin ve ürüne eksiksiz bir bakım yapın.

Atma

Ürün veya ürün ambalajı üzerinde bulunan semboller, bu ürünün evsel atık olarak değerlendirilemeyeceğini belirtir. Elektrikli ve elektronik ekipman, kurtarma için uygun bir geri dönüşüm istasyonuna gönderilmelidir.

Bu ürüne doğru önemin verilmesini sağlayarak, çevreye ve insanlara olabilecek potansiyel negatif etkisini önlemeye yardımcı olabilirsiniz, aksi takdirde bu ürünün yanlış atık yönetimi durumunda negatif etkiler meydana gelebilir. Bu ürünün geri dönüşümü hakkında daha ayrıntılı bilgi için belediyenize, mahallenizdeki atık hizmetine veya ürünü satın aldığınız mağazaya danışın.



Teknik veriler

Teknik veriler LC 141iV, LC 141i

	LC 141iV	LC 141i
Kesme motoru		
Motor tipi	BLDC (fırçasız) 36V	BLDC (fırçasız) 36V
Motor devri – SavE, dev/dak.	2700	2700
Motor devri – Nominal, dev/dak.	3100	3100

	LC 141IV	LC 141i
Motor devri – Yüksek yük, dev/dak.	3700	3700
Motor çıkışı – maks. kW	0,8	0,8
Motor çıkışı – Nominal, kW	0,55	0,55
Tahrik motoru		
Motor çıkışı – Nominal, kW	0,25	Yok
Kendi kendine yürüme hızı, km/sa.	3,0-4,5	Yok
Devir ayar seviyeleri	4	Yok
Ağırlık		
Aküsüz ağırlık, kg	21,5	18,6
Akü ¹⁸³		
Akü türü	Husqvarna Akü Serisi	Husqvarna Akü Serisi
Akü çalışma süresi		
Bir adet Husqvarna 5,2 Ah akü (BLi200) ile birlikte SavE etkin durumdayken dakika cinsinden akü çalışma süresi (serbest çalışma).	77	77
Bir adet Husqvarna 5,2 Ah akü (BLi200) ile birlikte standart mod etkin durumdayken dakika cinsinden akü çalışma süresi (serbest çalışma).	45	45
Gürültü yayma ¹⁸⁴		
Ses gücü seviyesi, ölçülen dB (A)	88	88
Ses gücü seviyesi, L _{WA} dB (A) garantili	89	89
Ses seviyeleri ¹⁸⁵		
Operatörün kulağındaki ses basıncı düzeyi, dB (A)	83	83
Titreşim seviyeleri ¹⁸⁶		
Tutma yeri, m/sn ²	2,0	2,0
Kesme		
Kesme yüksekliği, mm	25-70	25-70
Kesme genişliği, cm	41	41
Bıçak, ürün numarası	Collect - 5011716-01	Collect - 5011716-01
Çim torbası kapasitesi, litre	50	50

¹⁸³ En iyi sonuçları ve performansı elde etmek için Husqvarna BLi200 akünün kullanılması önerilir.

¹⁸⁴ 2000/14/AT sayılı AT direktifi uyarınca ses gücü (L_{WA}) olarak çevrede ölçülen gürültü yayma seviyesi.

¹⁸⁵ Ses basıncı düzeyi için bildirilen verilerdeki tipik istatistik dağılımı (standart sapma) 1,2 dB (A) şeklindedir.

¹⁸⁶ Titreşim düzeyi için bildirilen verilerin tipik istatistik dağılımı (standart sapması) 0,2 m/sn² şeklindedir.

Onaylı aküler	Marka	Tip	Akü kapasitesi, Ah	Voltaj, V	Ağırlık, lb/kg
BLi10	Husqvarna	Lityum iyon	2,0	36	1,8/0,8
BLi100	Husqvarna	Lityum iyon	2.6	36	1,9/0,8
BLi20	Husqvarna	Lityum iyon	4,0	36	2,7/1,2
BLi200	Husqvarna	Lityum iyon	5,2	36	2,8/1,3
BLi300	Husqvarna	Lityum iyon	9,4	36	4,1/1,9

Belirtilen aküler için onaylı şarj cihazları,	Marka	Giriş voltajı, V	Frekans, Hz	Güç, W
QC80	Husqvarna	100-240	50-60	80
QC80F	Husqvarna	12	0	80
QC250	Husqvarna	220-240	50	250
QC330	Husqvarna	100-240	50-60	330
QC500	Husqvarna	100-240	50-60	500

Teknik veriler LC 141C

LC 141C	
Motor	
Motor tipi	AC Serisi Motor
Motor devri – Nominal, dev/dak.	3200
Güç	1800 W
Güç kaynağı	Kablolu elektrik
Güç kablosu (yalnızca Birleşik Krallık pazarına özel kablo dahil)	
Kablo türü	16M uzatma kablosu
Ağırlık, kg	1,6
Ağırlık	
Ağırlık, kg	20,4
Gürültü yayma ¹⁸⁷	
Ses gücü seviyesi, ölçülmüş dB (A)	93
Ses gücü seviyesi, L _{WA} dB (A) garantili	95
Ses seviyeleri ¹⁸⁸	
Operatörün kulağındaki ses basıncı düzeyi, dB (A)	85

¹⁸⁷ 2000/14/AT sayılı AT direktifi uyarınca ses gücü (L_{WA}) olarak çevrede ölçülen gürültü yayma seviyesi.

¹⁸⁸ Ses basıncı düzeyi için bildirilen verilerdeki tipik istatistik dağılım (standart sapma) 1,4 dB (A) şeklindedir.

	LC 141C
Titreşim seviyeleri ¹⁸⁹	
Kol, m/s ²	2,0
Kesme	
Kesme yüksekliđi, mm	25-70
Kesme genişliđi, cm	41
Bıçak, Ürün numarası	Collect 5011716-01
Çim torbası kapasitesi, litre	50

¹⁸⁹ Titreşim düzeyi için bildirilen verilerin tipik istatistik dağılımı (standart sapması) 0,2 m/sn² şeklindedir.

AT Uyumluluk Bildirimi

AT Uyumluluk Bildirimi

Husqvarna AB, SE-561 82 Huskvarna, İsveç, tel.: +46-36-146500, 2018XXXXXXXX ve sonrası seri numaralı **HusqvarnaLC 141iV ve LC 141i model çim biçme makineleri** ile 2015XXXXXXXX sonrası seri numaralı **HusqvarnaLC 141C** ürününün aşağıdaki KONSEY DİREKTİFİ gereksinimleriyle uyumlu olduğunu beyan eder:

- 8 Haziran 2011 tarihli ve **2011/65/AB** sayılı "belirli tehlikeli maddelerin kullanımının kısıtlanmasıyla ilgili" direktif
- 17 Mayıs 2006 tarihli ve **2006/42/AT** sayılı "makinelere ilgili" direktif
- 26 Şubat 2014 tarihli ve **2014/30/AB** sayılı "elektromanyetik uyumlulukla ilgili" direktif
- 8 Mayıs 2000 tarihli ve **2000/14/AT** sayılı "çevredeki gürültü emisyonları ile ilgili" direktif

Gürültü emisyonları ile ilgili bilgi için Teknik veriler bölümüne bakın.

HusqvarnaLC 141iV ve LC 141i modellerinin sertifikalandırılmasında aşağıdaki standartlar uygulanmıştır: **IEC 60335-2-77:2002, IEC 60335-1:2010+A1:2013, EN 55014-1:2017, EN 55014-2:2015, EN 61000-3-2:2014, EN 61000-3-3:2013, EN 62233:2008**

HusqvarnaLC 141C modelinin sertifikalandırılmasında aşağıdaki standartlar uygulanmıştır: **EN 60335-1:2012+A11:2014, EN 60335-2-77:2010, EN 62233:2008, EN 55014-1:2017+A11, EN 55014-2:2015, EN 61000-3-2:2019, EN 61000-3-11:2019**

Onaylanmış kuruluş: **0404, RISE SMP Svensk Maskinprovning AB, Box 7035, SE-750 07 Uppsala** 2000/14/AT direktifindeki Ek VI'ya göre uyumluluk değerlendirmesi gerçekleştirmiştir.

Huskvarna, 2020-10-13



Claes Losdal, Geliştirme Müdürü/Bahçe Ürünleri (Husqvarna AB yetkili temsilcisi ve teknik dokümantasyon sorumlusu.)

Türk ithalat şirketi daha fazla bilgi için temas edilecek:
Çullas Orman Bahçe ve Tarım Mak. San. Tic. A.Ş.
Suadiye Mh. Bağdat Cd. No:455/4
Kadıköy – 34740 İstanbul / Türkiye
Telefon: +90 216 519 88 82
Faks: +90 216 519 88 78
info@cullas.com.tr



Зміст

Вступ.....	757	Усунення несправностей.....	780
Безпека.....	761	Транспортування, зберігання й утилізація.....	781
Збирання.....	770	Технічні характеристики.....	782
Експлуатація.....	772	Декларація відповідності ЄС.....	786
ТЕХНІЧНЕ ОБСЛУГОВУВАННЯ.....	777		

Вступ

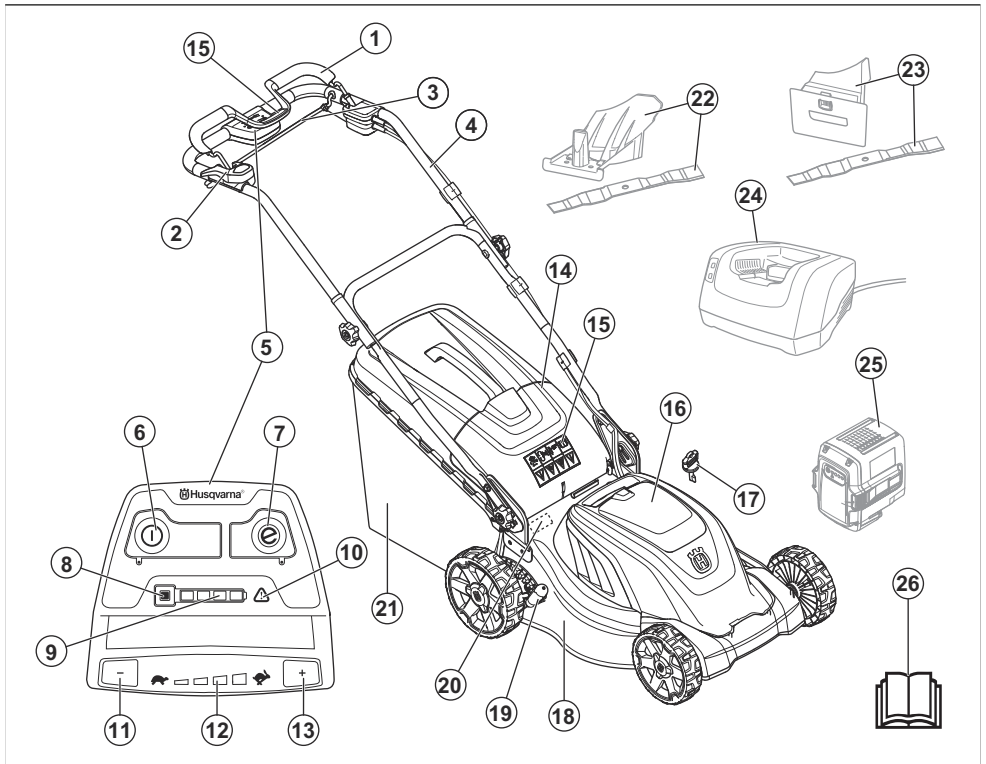
Опис виробу

Цей виріб – обертальна газонокосарка, керована пішим оператором. Трава збирається в травозбірник. Для того, щоб трава викидалася назад, приберіть травозбірник. Для того, щоб перетворити траву на добриво, встановіть приладдя для мульчування (аксесуар).

Призначення

Користуйтеся виробом для зрізання трави. Забороняється використовувати виріб для інших завдань.

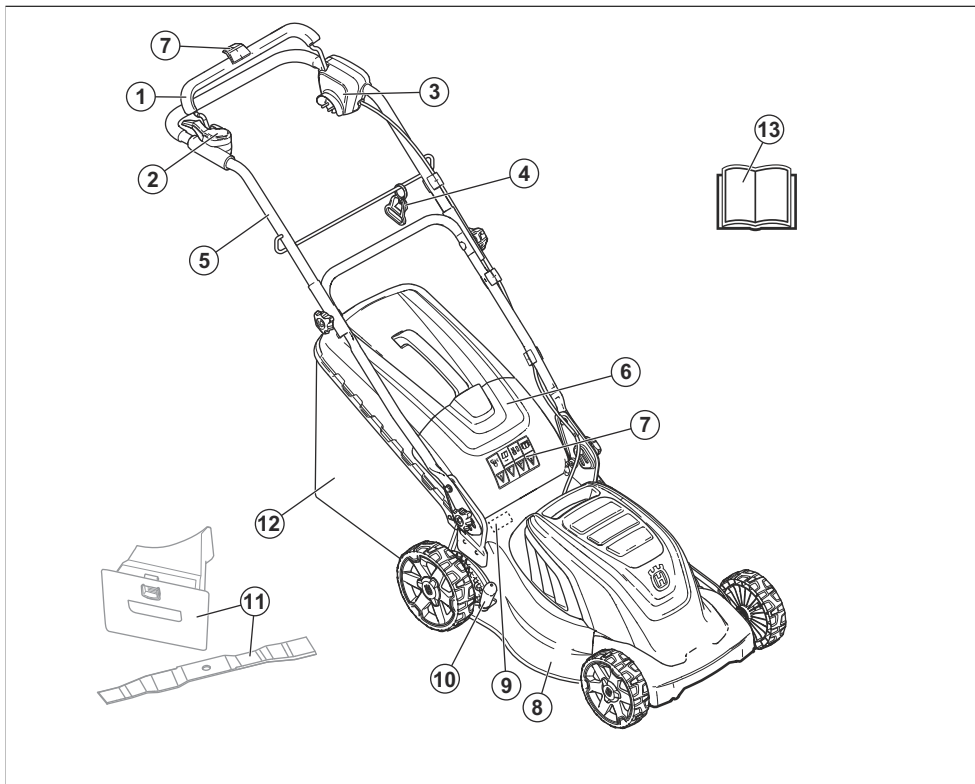
Огляд виробу LC 141iV / LC 141i



1. Ручка зупинення двигуна
2. Обмежувач запуску
3. Привідна скоба (LC 141iV)
4. Ручка/рукоятка
5. Панель керування
6. Кнопка «УВІМК./ВИМКН.»

7. Кнопка SavE
8. Кнопка індикатора стану акумулятора
9. Індикатор заряду акумулятора
10. Індикатор попередження (індикатор помилки)
11. Кнопка зменшення швидкості (LC 141iV)
12. Індикатор швидкості (LC 141iV)
13. Кнопка збільшення швидкості (LC 141iV)
14. Задній кожух
15. Позначення
16. Кришка акумулятора
17. Ключ безпеки
18. Кожух леза
19. Важіль регулювання висоти різання
20. Табличка з паспортними даними
21. Травозбірник
22. Комплект для мульчування (насадка для LC 141iV)
23. Комплект для мульчування (насадка для LC 141i)
24. Зарядний пристрій (додатковий аксесуар)
25. Акумулятор (додатковий аксесуар)
26. Посібник користувача

Огляд продукції LC 141C



1. Ручка зупинення двигуна
2. Блокатор запуску
3. Гніздо для шнура живлення
4. Тримач шнура живлення
5. Ручка/рукоятка
6. Задній кожух
7. Позначення
8. Кожух леза
9. Табличка з паспортними даними
10. Важіль регулювання висоти різання
11. Заглушка для мульчування (додатковий аксесуар)
12. Травозбірник
13. Посібник користувача

Символи на виробі



Необережне або неправильне використання виробу може призвести до травм або смерті оператора чи сторонніх осіб.



Перед використанням виробу прочитайте посібник користувача та переконайтеся, що ви зрозуміли наведені в ньому вказівки.



Сторонні особи та тварини повинні знаходитися на безпечній відстані від робочої зони.



Остерігайтеся рикошету й об'єктів, які можуть вилітати з-під виробу.



Увага! Тримайте руки та ноги на відстані від леза, що обертається.



Увага! Тримайте руки та ноги на відстані від деталей, що обертаються.



Перед технічним обслуговуванням

виробу виймайте ключ безпеки. (модель LC 141iV/LC 141i)



Перед технічним обслуговуванням виробу від'єднайте його від електромережі. (модель LC 141C)

IPX1

IPX1 – виріб захищено від крапель води, що падають вертикально (модель LC 141iV/LC 141i)

IPX4

IPX4 – виріб захищено від бризок (модель LC 141C)



Бережіть виріб від дощу (модель LC 141iV/LC 141i)



Увага! Не переїжджайте шнур живлення виробом, оскільки це може спричинити ураження електричним струмом або пошкодження виробу. (модель LC 141C)

CE

Цей виріб відповідає вимогам ЄС.



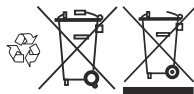
Рівень випромінювання шуму в середовище відповідає директиві Європейської Спільноти. Рівень шумових випромінювань виробу вказаний у розділі «Технічні дані» і на паспортній табличці.



Постійний струм. 36 В



Подвійна ізоляція.



Утилізацію виробу необхідно проводити на підприємстві з переробки відходів електричного й електронного обладнання. (Лише для країн Європи.)



Процедура запуску для моделі LC 141iV/ LC 141i: натисніть кнопку «УВИМК./ВИМКН.», відпустіть блокіратор запуску, притисніть ручку зупинення двигуна вниз.



Процедура запуску для моделі LC 141C: відпустіть блокіратор запуску, притисніть ручку зупинення двигуна вниз.



Щоб зупинити двигун, відпустіть ручку зупинення двигуна.



Повільно



Швидко



Сканований код

Зверніть увагу: Інші позначення на виробі відповідають вимогам спеціальних сертифікатів для певних ринків.

Відповідальність за якість продукції

Згідно із законом про відповідальність за якість продукції ми не несемо відповідальності за будь-які пошкодження, спричинені роботою наших виробів, якщо:

- виріб було неправильно відремонтовано;
- виріб було відремонтовано із використанням деталей, виготовлених не виробником або не затверджених ним;

- виріб обладнано аксесуаром, виготовленим не виробником або не затвердженим ним;
- виріб було відремонтовано в неавторизованому сервісному центрі або неавторизованою компанією;

Безпека

Визначення щодо безпеки

Попередження, застереження й примітки служать для наголошення на особливо важливих положеннях посібника.



ПОПЕРЕДЖЕННЯ: Вказує на те, що в разі порушення інструкцій, наведених у цьому посібнику, існує небезпека поранення або смерті оператора чи інших осіб, що знаходяться поруч.



УВАГА: Вказує на те, що в разі порушення інструкцій, наведених у цьому посібнику, існує небезпека пошкодження виробу, інших матеріалів або навколишніх об'єктів.

Зверніть увагу: Використовується для надання додаткової інформації щодо певної ситуації.

Загальні правила техніки безпеки



ПОПЕРЕДЖЕННЯ: Перш ніж розпочати використання виробу, уважно прочитайте наведені нижче попередження.

- Цей виріб може бути небезпечним у разі неправильного або недбалого використання.

Порушення правил техніки безпеки може призвести до травм або смерті.

- Під час роботи цього виробу утворюється електромагнітне поле. Це поле може за деяких умов взаємодіяти з активними чи пасивними медичними імплантатами. Щоб зменшити ризик тяжких або смертельних травм, рекомендуємо особам із медичними імплантатами проконсультуватися зі своїм лікарем і виробником медичного імплантату перед початком експлуатації цього виробу.
- Завжди будьте обережні та керуйтеся здоровим глуздом. Якщо ви маєте сумніви щодо того, як користуватися виробом у конкретній ситуації, припиніть роботу та проконсультуйтеся з дилером Husqvarna.

- Пам'ятайте, що оператор несе відповідальність за нещасні випадки, в результаті яких постраждали інші особи або їхнє майно.
- Підтримуйте виріб чистим. Переконайтеся, що знаки та наклейки знаходяться в читабельному стані.
- У жодному разі не дозволяйте користуватися приладом дітям або людям, які не ознайомилися з цим посібником. Вік оператора може обмежуватися місцевими нормами
- Завжди наглядуйте за особами з обмеженими фізичними чи розумовими можливостями, що використовують виріб. Біля виробу, що працює, повинна завжди знаходитися відповідальна доросла особа.
- Забороняється використовувати виріб, якщо ви втомлені, хворі, чи перебуваєте під впливом наркотиків, алкоголю або медикаментів. Ці фактори мають негативний вплив на ваш зір, зосередженість, свідомість та координацію рухів.

- Забороняється використовувати виріб у разі його несправності.
- Забороняється зміни в конструкцію виробу чи використовувати виріб, якщо є підозра, що його було змінено сторонніми особами.

Безпека в робочій зоні



ПОПЕРЕДЖЕННЯ:

Перш ніж розпочати використання виробу, уважно прочитайте наведені нижче попередження.

- Перед використанням виробу приберіть з робочої зони всі гілки, лозу та каміння.
- Предмети, що потраплять на різальне обладнання, можуть відлетіти та поранити сторонніх осіб або пошкодити інші предмети. Сторонні особи та тварини повинні знаходитися на безпечній відстані від виробу.
- Забороняється використовувати виріб за поганої погоди на кшталт туману, дощу, сильного вітру, значного холоду або грози. Робота в погану

погоду або на вологих ділянках виснажує. Погана погода може стати причиною небезпечних умов роботи, таких як слизькі поверхні.

- Бережіться осіб, предметів та ситуацій, які можуть зашкодити безпечній роботі виробу.
- Бережіться перешкод на кшталт коріння, каміння, гілок, ям або канав. Висока трава може приховувати перешкоди.
- Скошування трави на схилах може бути небезпечним. Не косіть занадто круті схили. Не використовуйте виріб на ділянках із нахилом понад 15°
- Будьте вкрай обережні, розвертаючись на схилах. Використовуйте виріб на схилах у горизонтальному напрямку. Не рухайтесь вгору і вниз.
- Будьте обережні, наближаючись до прихованих кутів та предметів, які можуть закривати поле зору.

Техніка безпеки



ПОПЕРЕДЖЕННЯ:

Перш ніж розпочати використання виробу,

уважно прочитайте наведені нижче попередження.

- Використовуйте виріб лише для скошування трав'яних газонів. Заборонено використовувати виріб для інших цілей.
- Використовуйте засоби індивідуального захисту. Див. *Засоби індивідуального захисту на сторінці 765.*
- Дізнайтеся, як швидко зупинити двигун в екстремній ситуації.
- Не використовуйте виріб під дощем або в умовах підвищеної вологості. Потраплення води у виріб збільшує загрозу ураження електричним струмом.
- Забороняється використовувати виріб без правильно встановленого леза та всіх кожухів. Неправильно встановлене лезо може від'єднатися і призвести до травм.
- Слідкуйте, щоб лезо не зачіпляло сторонні предмети на кшталт каміння та коріння. Це може призвести до пошкодження леза та згинання вала двигуна. Зігнута вісь

викликає значні вібрації та призводить до ризику від'єднання леза від виробу.

- У разі удару леза об будь-який сторонній предмет чи появи вібрації негайно зупиніть виріб. Зупиніть двигун, поверніть ключ безпеки в положення «0» і вийміть акумулятор (модель LC 141iV і LC 141i) або від'єднайте шнур живлення (модель LC 141C).
Перевіряйте виріб на наявність пошкоджень. Виправляйте пошкодження або здавайте виріб на ремонт в авторизований центр обслуговування.
- Забороняється закріплювати ручку зупинення двигуна на рукоятці, коли працює двигун.
- Поставте виріб на тверду рівну поверхню й увімкніть його. При цьому лезо не повинно торкатися землі або інших предметів.
- Під час роботи з виробом завжди залишайтеся позаду нього.
- Під час роботи з виробом всі колеса мають залишатися на землі, а обидві руки треба тримати на ручці. Тримайте руки та

ноги на відстані від лез, що обертаються.

- Не нахилийте виріб, коли двигун увімкнений.
- Будьте обережні під час руху у зворотному напрямку.
- Забороняється піднімати виріб, коли двигун увімкнений. Якщо потрібно підняти виріб, зупиніть двигун, поверніть ключ безпеки в положення «0» і вийміть акумулятор (моделі LC 141iV і LC 141i) або від'єднайте шнур живлення (модель LC 141C).
- Не рухайтесь у зворотному напрямку під час роботи з виробом.
- Вимикайте двигун під час руху через ділянки без трави на кшталт доріжок із гравію, каменю або асфальту.
- Не бігайте з виробом, коли двигун увімкнений. Під час роботи з виробом необхідно ходити зі звичайною швидкістю.
- Вимикайте двигун, перш ніж змінювати висоту різання. Забороняється виконувати регулювання при ввімкненому двигуні.
- Забороняється залишати виріб без нагляду коли

двигун працює. Зупиніть двигун та переконайтеся, що ріжуче обладнання не обертається.

Правила техніки безпеки під час використання

Засоби індивідуального захисту



ПОПЕРЕДЖЕННЯ: Перш ніж розпочати використання виробу, уважно прочитайте наведені нижче попередження.

- Особисте захисне спорядження не може повністю усунути небезпеку травмування, але при нещасному випадку воно знизить ступінь важкості травми. Дозвольте дилеру допомогти вам із вибором підходящого обладнання.
- Використовуйте взуття із захистом від ковзання для роботи у важких умовах. Забороняється використовувати відкрите взуття або працювати взагалі без нього.
- Використовуйте цупкі довгі штани.
- За потреби використовуйте рукавички, наприклад, якщо

необхідно приєднати, оглянути або почистити різальне обладнання.

Механізми безпеки на пристрої



ПОПЕРЕДЖЕННЯ: Перш ніж розпочати використання виробу, уважно прочитайте наведені нижче попередження.

- Не використовуйте виріб із пошкодженими захисними пристроями.
- Регулярно перевіряйте захисні пристрої. У випадку пошкодження захисних пристроїв зверніться до центру обслуговування Husqvarna.

Перевірка кожуха леза

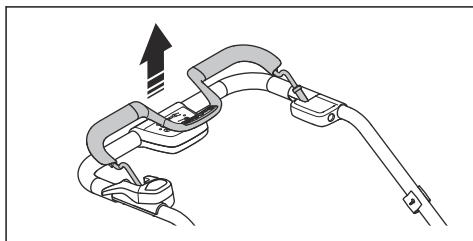
Кожух леза частково поглинає вібрацію виробу та знижує небезпеку травмування лезом.

- Огляньте кожух леза та переконайтеся, що він не має пошкоджень на кшталт тріщин.

Ручка зупинення двигуна

Ручка зупинення двигуна зупиняє двигун. За відпускання ручки зупинення двигуна він зупиняється.

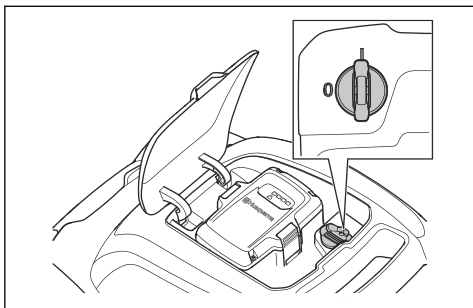
Щоб перевірити роботу гальма двигуна, запустіть двигун, а потім відпустіть ручку зупинення. Якщо двигун не зупиняється протягом 3 секунд, необхідно передати виріб в авторизований центр обслуговування Husqvarna для налаштування гальма двигуна.



Ключ безпеки (моделі LC 141IV і LC 141I)

Ключ безпеки знаходиться під кришкою акумуляторного відсіку. Ключ безпеки під'єднує акумулятор, який у свою чергу живить двигун.

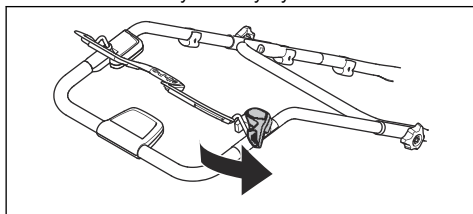
- Для перевірки ключа безпеки запустіть і зупиніть двигун.
- Якщо ключ безпеки справний, двигун заводиться, лише якщо повернути ключ у положення «1».



Перевірка обмежувача запуску

Перевірте обмежувач запуску, щоб переконатися, що він дійсно блокує роботу двигуна.

1. Перемістіть ручку зупинення двигуна в напрямку рукоятки. Обмежувач запуску блокує рух.
2. Потягніть обмежувач запуску.



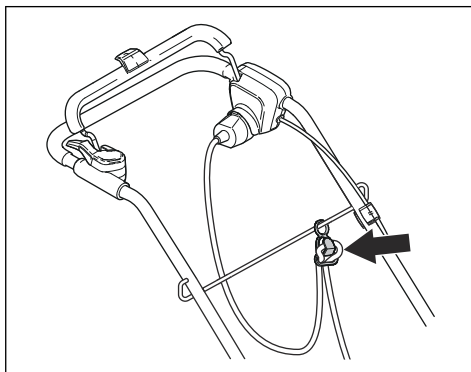
3. Відпустіть обмежувач запуску та переконайтеся, що він повертається до початкового положення.

Використання тримача шнура живлення (модель LC 141C)

Тримач шнура живлення зменшує механічне навантаження на розетку та шнур живлення. Тримач шнура живлення також знижує ризик того, що ви перечепитесь через нього.

1. Зігніть шнур живлення, утворивши вузьку петлю.
2. Вставте петлю в отвір у тримачу шнура живлення.
3. Надягніть петлю на гачок.

4. Потягніть за шнур живлення, щоб затягнути петлю навколо гачка.



Заходи безпеки під час роботи з акумуляторами



ПОПЕРЕДЖЕННЯ:

Перш ніж розпочати використання виробу, уважно прочитайте наведені нижче попередження.

- Для живлення виробів Husqvarna необхідно використовувати лише акумулятори Husqvarna. Щоб уникнути травмування, забороняється використовувати акумулятор в якості джерела живлення для інших приладів.
- Не використовуйте одноразові батареї.
- Небезпека ураження електричним струмом. Забороняється під'єднувати клеми акумулятора до

ключів, монет, гвинтів або інших металевих предметів. Це може призвести до короткого замикання в акумуляторі.

- Забороняється вставляти предмети у вентиляційні отвори акумулятора.
- Тримайте акумулятор подалі від прямих сонячних променів, джерел тепла та відкритого вогню. Акумулятор може вибухнути, що призведе до опіків та / або хімічних опіків.
- Бережіть акумулятор від дощу та вологи.
- Захищайте акумулятор від впливу мікрохвиль чи високого тиску.
- Забороняється розбирати чи ламати акумулятор.
- У разі витікання рідини з акумулятора слідкуйте, щоб вона не потрапила на тіло чи в очі. Якщо рідина потрапила на шкіру, промийте вражену ділянку великою кількістю води та зверніться за медичною допомогою.
- Акумулятор дозволяється використовувати за температури від $-10\text{ }^{\circ}\text{C}$ до $+40\text{ }^{\circ}\text{C}$.
- Заборонено мити батарею чи зарядний пристрій водою.

Див. Чищення акумулятора та зарядного пристрою на сторінці 779.

- Не використовуйте несправний чи пошкоджений акумулятор.
- Зберігайте акумулятор подалі від металевих предметів на кшталт цвяхів, монет, ювелірних виробів.

Заходи безпеки при роботі із зарядним пристроєм



ПОПЕРЕДЖЕННЯ:

Перш ніж розпочати використання виробу, уважно прочитайте наведені нижче попередження.

- Для заряджання замінних акумуляторів Husqvarna необхідно використовувати лише зарядні пристрої QC.
- Ризик короткого замикання й ураження електричним струмом. Забороняється вставляти предмети у вентиляційні отвори зарядного пристрою. Заборонено розбирати зарядний пристрій. Не торкайтеся металевих предметів контактами зарядного пристрою. Використовуйте

сертифіковані електричні розетки.

- Під час роботи цього виробу утворюється електромагнітне поле. Це поле може за деяких умов взаємодіяти з активними чи пасивними медичними імплантатами. Щоб зменшити ризик тяжких або смертельних травм, рекомендуємо особам із медичними імплантатами проконсультуватися зі своїм лікарем і виробником медичного імплантату перед початком експлуатації цього виробу.
- Регулярно перевіряйте шнур живлення зарядного пристрою на предмет пошкоджень та тріщин.
- Забороняється підіймати зарядний пристрій, тримаючи його за шнур живлення. Щоб від'єднати зарядний пристрій від настінної розетки, витягніть штепсельну вилку. У жодному разі не тягніть за шнур живлення.
- Тримайте шнур живлення та подовжувачі на безпечній відстані від води, мастил і гострих предметів. Переконайтеся, що кабель не здавлено дверима,

огорожею або іншими предметами. У такому випадку зарядний пристрій може опинитися під напругою.

- Заборонено мити зарядний пристрій водою.
- Діти віком від 8 років та особи з обмеженими фізичними, сенсорними або психічними можливостями або особи, які не мають досвіду та знань, можуть використовувати зарядний пристрій лише під наглядом або після належного інструктажу щодо безпечного його використання, за умови розуміння ними пов'язаних із таким використанням ризиків. Дітям забороняється грати із зарядним пристроєм. Дітям забороняється чистити зарядний пристрій і здійснювати його технічне обслуговування без нагляду.
- Не намагайтеся заряджати одноразові батареї за допомогою зарядного пристрою.
- Забороняється використовувати зарядний пристрій поблизу легкозаймистих або корозійних матеріалів.

Заборонено накривати зарядний пристрій. При появі диму чи вогню витягніть штепсель зарядного пристрою з розетки.

- Не використовуйте зарядний пристрій з ознаками пошкодження.
- Заряджати акумулятор слід тільки в добре провітрюваних приміщеннях та подалі від сонячного світла. Не заряджайте акумулятор у вологому середовищі.

Захисний пристрій для шнура живлення

Для моделі LC 141C.

- Рекомендовано використовувати пристрій захисного підключення (ПЗП) зі струмом вимкнення не більше 30 мА. Навіть якщо ПЗП встановлено, це не гарантує повної гарантії безпеки, тому завжди слід дотримуватися правил техніки безпеки. Перевіряйте ПЗП перед кожним використанням.
- Якщо шнур живлення перерізано або пошкоджено ізоляцію, негайно від'єднайте виріб від електромережі.
- Не торкайтеся пошкодженого чи

перерізаного шнура живлення, доки не від'єднаєте виріб від електромережі.

- Не ремонтуйте перерізаний або пошкоджений кабель живлення. Замініть його новим.

Правила техніки безпеки під час обслуговування



ПОПЕРЕДЖЕННЯ: Перш ніж розпочати використання виробу, уважно прочитайте наведені нижче попередження.

- Для моделі LC 141iV, LC 141i: Для запобігання ненавмисному запуску двигуна під час обслуговування переведіть ключ безпеки в положення «0» та вийміть акумулятор. Перед початком обслуговування зачекайте щонайменше 5 секунд.
- Для моделі LC 141C: Щоб запобігти випадковому запуску двигуна під час обслуговування, від'єднайте шнур живлення.
- Виконуйте технічне обслуговування правильно, адже це допоможе збільшити термін експлуатації виробу та зменшить небезпеку виникнення нещасних випадків. Доручайте

професійний ремонт уповноваженому центру обслуговування. Більш детальну інформацію можна дізнатися в найближчому центрі обслуговування.

- Виконуйте лише те технічне обслуговування, що наведене в цьому посібнику користувача. Більш серйозні роботи повинні виконуватися працівниками сертифікованих центрів обслуговування.
- Під час роботи з різальним обладнанням завжди надягайте міцні рукавиці. Лезо дуже гостре, ним можна легко порізатися.
- Для найкращої продуктивності та безпеки слід підтримувати різальні кромки гострими та чистими.
- Регулярно віддавайте виріб у центр обслуговування, де

його будуть перевіряти, робити необхідні налаштування або ремонт.

- Замінійте пошкоджені, зношені або зламані деталі.
- Дотримуйтеся інструкцій щодо заміни аксесуарів. Користуйтеся аксесуарами лише від виробника обладнання.
- Коли виріб не використовується, зберігайте його окремо від акумулятора та зарядного пристрою в сухому закритому приміщенні. Переконайтеся, що діти та особи без належної підготовки не зможуть отримати доступ до виробу, акумулятора чи зарядного пристрою.

Збирання

Вступ



ПОПЕРЕДЖЕННЯ: Перед монтажем виробу необхідно прочитати розділ про заходи безпеки.

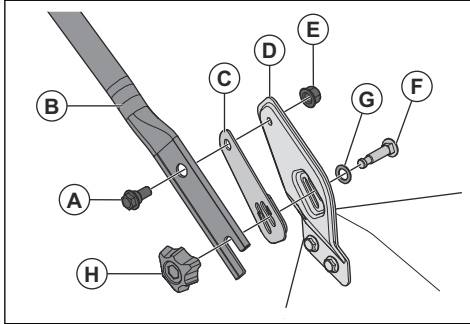
Для моделі LC 141C: Щоб запобігти випадковому запуску двигуна під час монтажу, від'єднайте шнур живлення.



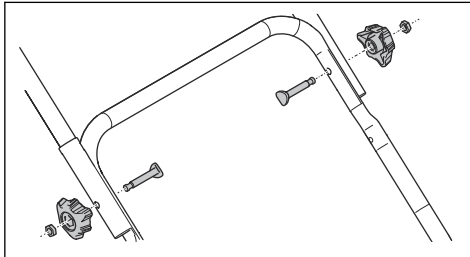
ПОПЕРЕДЖЕННЯ: Для моделі LC 141iV, LC 141i: Щоб запобігти випадковому ввімкненню виробу під час збирання, поверніть ключ безпеки в положення «0», вийміть акумуляторну батарею та почекайте принаймні 5 секунд.

Монтаж ручки

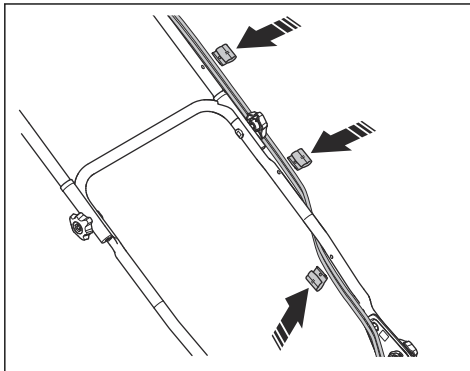
1. Вставте гвинт (А) таким чином, щоб він пройшов крізь ручку (В), пластикову шайбу (С) й кріпильну скобу ручки (D).



2. Повністю затягніть гайку (Е).
3. Вставте гвинт (F) крізь шайбу (G) й кріпильну скобу ручки.
4. Повністю затягніть фіксуючу голівку (H).
5. Вирівняйте отвори в рукоятці відповідно до отворів у нижній ручці та встановіть гвинти, шайби та фіксуючі голівки. Надійно затягніть фіксуючі голівки.

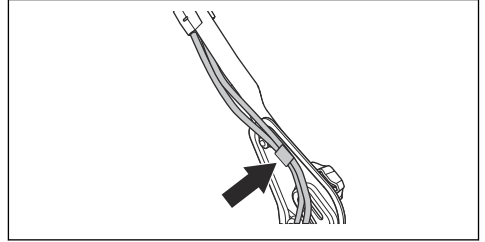


6. Приєднайте кабелі до ручки за допомогою тримачів.



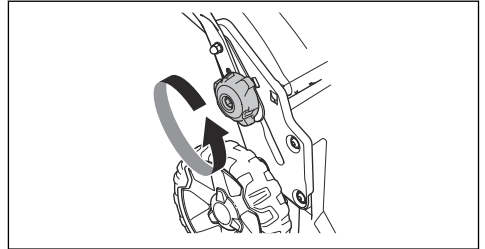
Зверніть увагу: Переконайтеся, що натяг кабелів не занадто високий. Надмірний натяг може пошкодити кабель, якщо ручку складено в положення для транспортування.

7. Повісьте кабелі на гачок, розташований унизу ручки.

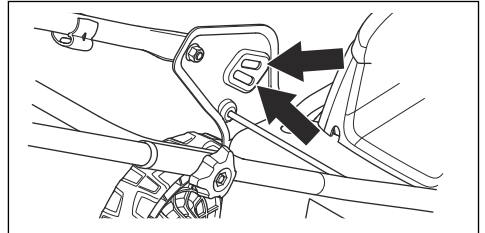


Налаштування висоти ручки

1. Відпустіть нижні фіксувальні голівки.

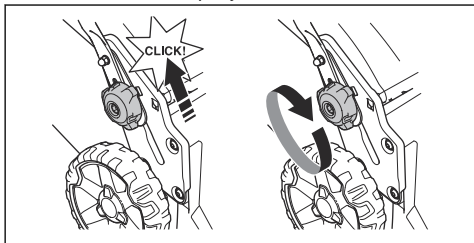


2. Зніміть фіксувальну голівку, гайки та гвинт зліва та справа.
3. Доступні два варіанти висоти встановлення ручки. Вставте гвинт в один із двох отворів зліва та справа.



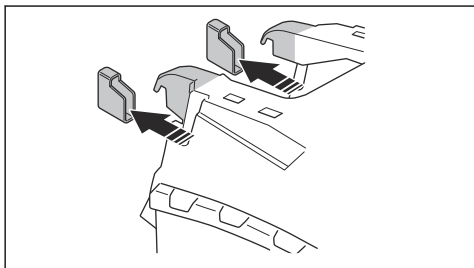
4. Встановіть гвинти, шайби та фіксуючі голівки.

- Пересуньте головки вгору в напрямку ручки, доки вони не зупиняться та ви не почуєте клацання. Надійно затягніть фіксуючі голівки.

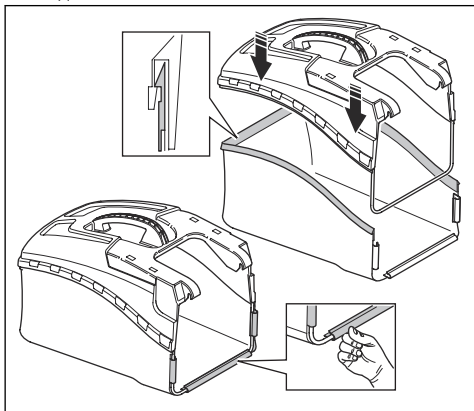


Монтаж травозбірника

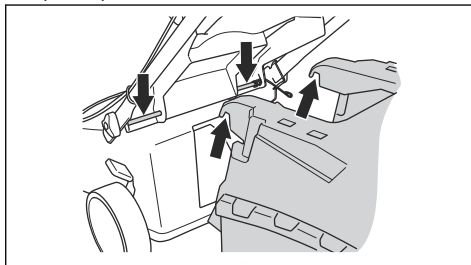
- Витягніть дві кришки для транспортування назвні та вниз.



- Установіть верхню частину травозбірника на його нижню частину. Зафіксуйте раму травозбірника за допомогою затискачів.

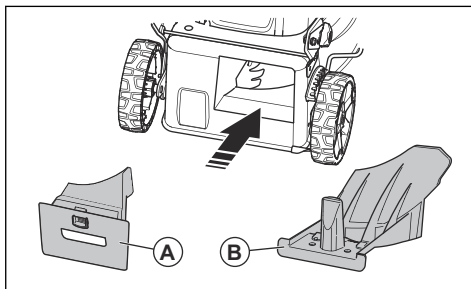


- Підніміть задню кришку.
- Під'єднайте гаки травозбірника до верхньої кромки рами.



Монтаж комплекту для мульчування

- Підніміть задню кришку та вийміть травозбірник.
- Вставте заглушку для мульчування в канал викидання трави. Заглушка для мульчування типу А призначена для моделей LC 141i і LC 141C. Заглушка типу В призначена для LC 141iv.



- Закрийте задню кришку.
- Замініть стандартне лезо на лезо Combі (див. розділ *Демонтаж та заміна леза на сторінці 779*).

Експлуатація

Вступ



ПОПЕРЕДЖЕННЯ: Перед експлуатацією виробу обов'язково

прочитайте й усвідомте зміст розділу про заходи безпеки.

Husqvarna Connect

Husqvarna Connect є безкоштовною програмою для мобільного пристрою. У програмі Husqvarna Connect доступна ціла низка розширених функцій для користування Husqvarna:

- розширена інформація про виріб;
- відомості про деталі й обслуговування виробу, а також довідкова інформація.

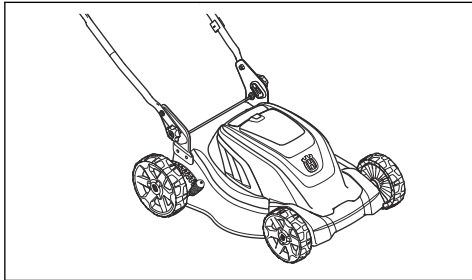
Щоб почати користуватися Husqvarna Connect

1. Завантажте програму Husqvarna Connect на свій мобільний пристрій.
2. Зареєструйтеся в програмі Husqvarna Connect.
3. Виконайте кроки з реєстрації в програмі Husqvarna Connect, щоб під'єднати та зареєструвати виріб.

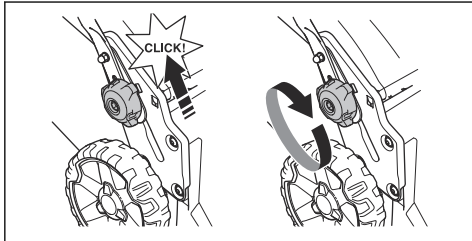
Встановлення виробу в положення для експлуатації

Якщо ручку складено в положення для транспортування та зберігання (див. *Встановлення виробу в положення для транспортування на сторінці 78*), виконайте описані нижче дії, щоб установити ручку в робоче положення.

1. Підніміть ручку, щоб її нижня частина зафіксувалася в робочому положенні.

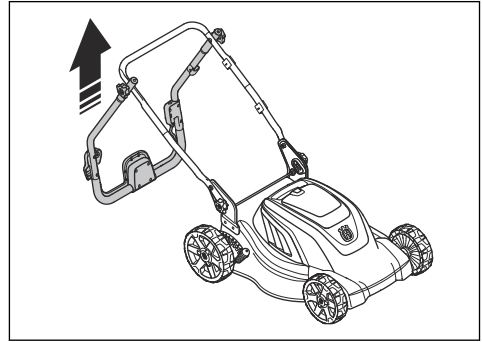


2. Піднімайте нижні фіксувальні головки вгору в напрямку ручки, доки вони не зупиняться та ви не почуєте клацання.



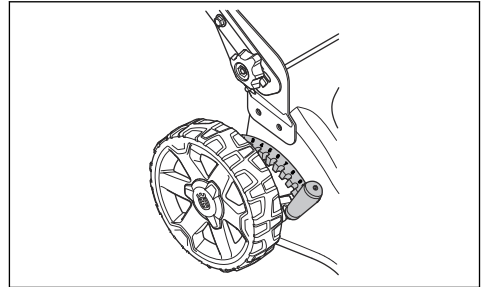
3. Затягніть фіксувальні головки.

4. Підніміть верхню частину ручки та затягніть фіксувальні головки.



Налаштування висоти різання

1. Для збільшення висоти різання потягніть важіль регулювання висоти різання назад.
2. Для зменшення висоти різання потягніть важіль регулювання висоти різання вперед.



УВАГА: Не встановлюйте занадто низьку висоту різання. Леза можуть зачепити землю, якщо поверхня газону буде нерівною.

Акумулятор

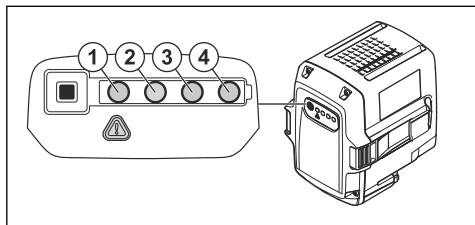


ПОПЕРЕДЖЕННЯ: Перед використанням акумулятора обов'язково прочитайте й усвідомте зміст розділу роботи. Поточний стан заряду акумулятора відображається протягом 5 секунд після вимкнення виробу або натискання індикаторної кнопки акумулятора. У разі виникнення будь-якої помилки на

Стан акумулятора

На дисплеї відображаються поточний стан заряду акумулятора та можливі проблеми під час його роботи. Поточний стан заряду акумулятора відображається протягом 5 секунд після вимкнення виробу або натискання індикаторної кнопки акумулятора. У разі виникнення будь-якої помилки на

дисплеї акумулятора з'являється попереджувальний символ. Див. *Акумулятор на сторінці 780.*



Світлодіодні індикатори	Стан акумулятора
Горять усі світлодіодні індикатори	Акумулятор заряджений повністю (75-100 %)
Горять світлодіодні індикатори 1, 2 та 3	Акумулятор заряджений на 50-75 %.
Горять світлодіодні індикатори 1 та 2	Акумулятор заряджений на 25-50 %.
Горить світлодіодний індикатор 1	Акумулятор заряджений на 0-25 %
Блимає світлодіодний індикатор 1	Акумулятор розряджений. Зарядіть акумулятор

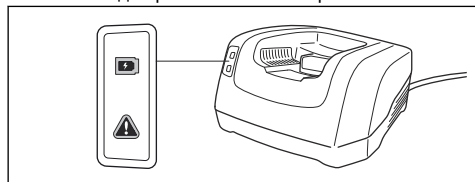
Зарядка акумулятора

Перед першим використанням акумулятор слід зарядити. Акумулятор постачається зарядженим лише на 30 % ємності.

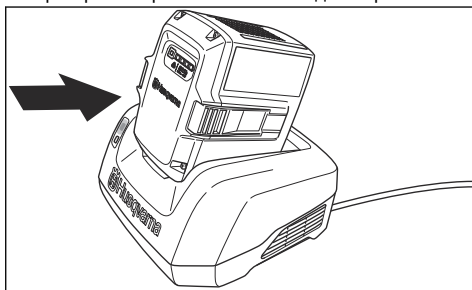
Зверніть увагу: Зарядний пристрій слід під'єднувати лише до джерел електроживлення з напругою та частотою, вказаними на табличці з паспортними даними.

Акумулятор не заряджається, якщо його температура перевищує 50°C. Перед початком заряджання зарядний пристрій зменшує температуру акумулятора.

1. Під'єднайте один кінець шнура живлення зарядного пристрою до його роз'єму.
2. Під'єднайте інший кінець шнура живлення зарядного пристрою до електричної розетки із заземленням. Світлодіод зарядного пристрою блимне один раз зеленим кольором.



3. Встановіть акумулятор у зарядний пристрій. Якщо акумулятор підключено правильно, на зарядному пристрої загоряється зелений індикатор.



4. Якщо загоряються всі світлодіодні індикатори, це означає, що акумулятор повністю заряджений. Тривалість заряджання акумулятора не повинна перевищувати 24 години.
5. Щоб від'єднати зарядний пристрій із розетки, тримайтеся тільки за штепсель, не тягніть за шнур.
6. Вийміть акумулятор із зарядного пристрою.

Стан заряджання акумулятора

Літій-іонний акумулятор Husqvarna можна заряджати та використовувати за будь-якого рівня зарядки. Акумулятор не буде пошкоджено. Повністю заряджена акумуляторна батарея не втрачає заряд, якщо її залишити в зарядному пристрої.

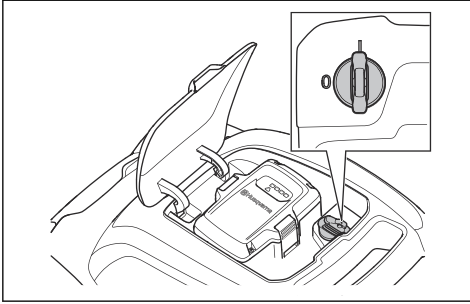
Світлодіодний дисплей	Стан зарядки
Блимає світлодіодний індикатор 1	0-25 %
Горить світлодіодний індикатор 1, блимає світлодіодний індикатор 2	25-50 %
Горять світлодіодні індикатори 1, 2, блимає світлодіодний індикатор 3	50-75 %
Горять світлодіодні індикатори 1, 2, 3, блимає світлодіодний індикатор 4	75-100 %
Горять світлодіодні індикатори 1, 2, 3, 4	Заряджено повністю

Експлуатація LC 141iV і LC 141i

Запуск виробу

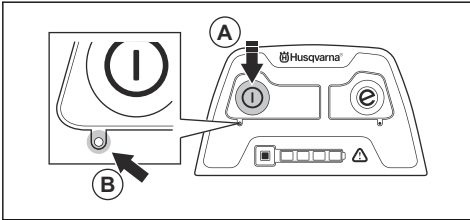
1. Вставте заряджений акумулятор в акумуляторний відсік.

2. Поверніть ключ безпеки в положення «1».

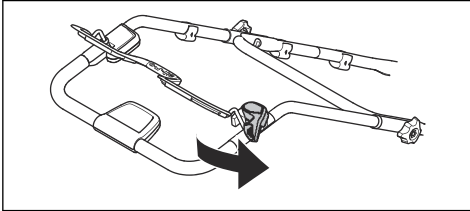


3. Залишайтеся позаду виробу.

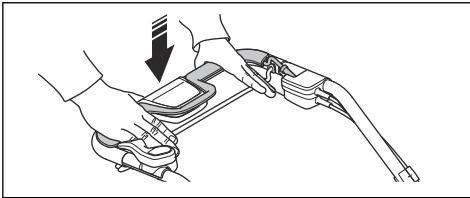
4. Натисніть кнопку «УВІМК./ВИМКН.» (A) на панелі керування, після чого ввімкнеться зелений світлодіодний індикатор (B).



5. Відпустіть обмежувач запуску.

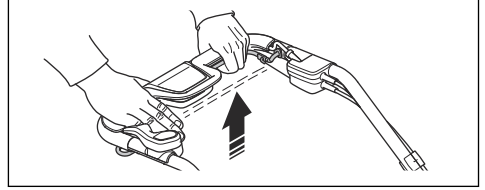


6. Перемістіть ручку зупинення двигуна в напрямку рукоятки.

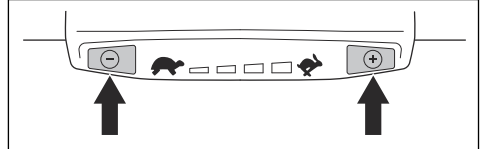


Щоб підключити привід до коліс

- Модель LC 141iV. Щоб запустити привід, потягніть привідну скобу в напрямку рукоятки.



- Щоб задати 4 рівні швидкості приводу, натисніть «+» чи «-» на панелі керування.

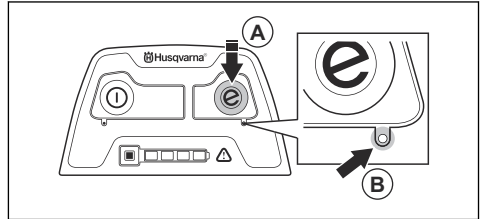


- При наближенні до перешкоди відпустіть привідну скобу для розчеплення приводу.

Використання функції SavE

Виріб оснащений функцією збереження заряду акумулятора (SavE), що дозволяє подовжити час використання.

1. Для ввімкнення функції натисніть кнопку SavE (A). Увімкнеться зелений світлодіодний індикатор.



2. Для вимкнення функції натисніть кнопку SavE ще раз. Зелений світлодіодний індикатор (B) вимкнеться.

Функція SavE вимикається автоматично в разі, якщо умови поверхні потребують збільшення потужності. Якщо умови поверхні є сприятливими, функція SavE починає роботу автоматично.

Функція підвищеної потужності

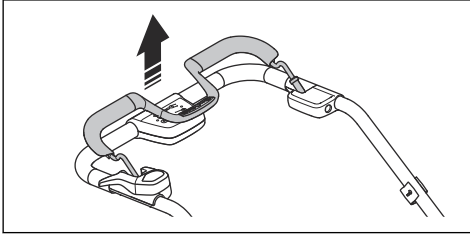
Якщо виріб використовується для зрізання довгої чи вологої трави, двигун автоматично збільшує оберти. Коли необхідність у підвищеній потужності зникає, двигун повертається до роботи в стандартному режимі.

Зупинка виробу

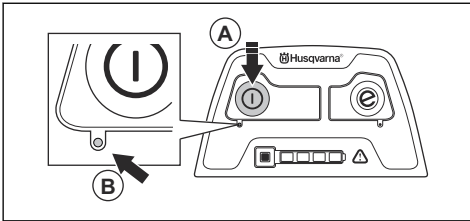
Якщо ви не користуєтесь виробом протягом 10 хвилин, він автоматично зупиняється. Залишаючи

виріб без нагляду, завжди повертайте ключ безпеки в положення «0».

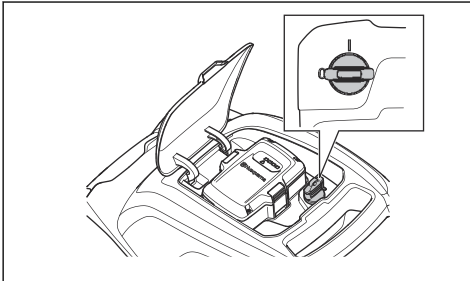
1. Для зупинення двигуна відпустіть ручку зупинення двигуна.



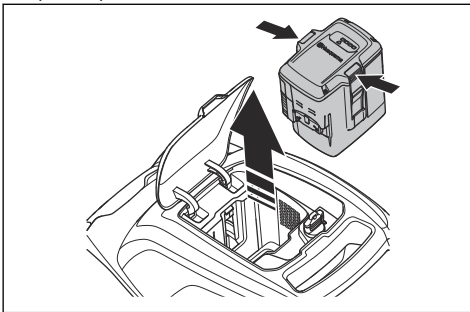
2. Натисніть кнопку «УВИМК./ВИМКН.» (А) на панелі керування, після чого зелений світлодіодний індикатор (В) вимкнеться.



3. Відкрийте кришку акумуляторного відсіку та поверніть ключ безпеки в положення «0».



4. Щоб вийняти акумулятор, натисніть дві кнопки фіксатора та витягніть його.



5. Якщо рівень заряду акумулятора низький, зарядіть його. Докладніше див. *Зарядка акумулятора на сторінці 774.*

Експлуатація LC 141C

Вибір кабелю (LC 141C)

Зверніть увагу: Для ринку Сполученого Королівства необхідно використовувати тільки 16-метровий подовжувальний кабель, що постачається з продуктом. Для всіх інших ринків дивіться інформацію нижче.

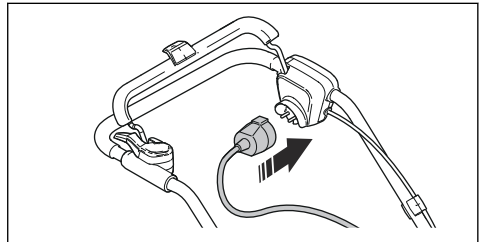
У разі використання подовжувальних кабелів їхній мінімальний поперечний переріз повинен відповідати значенням, указаним у таблиці нижче:

Напруга	Довжина кабелю	Переріз кабелю
220-240 В/50 Гц	До 20 м	1,5 мм ²
220-240 В/50 Гц	20-50 м	2,5 мм ²

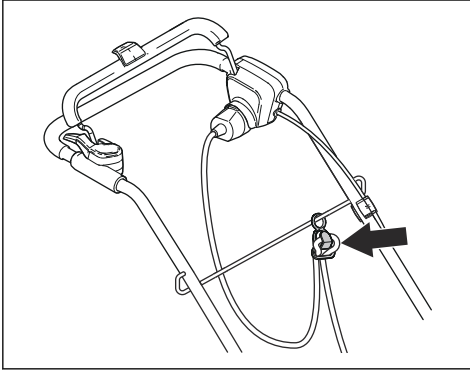
- Придбати основні та подовжувальні кабелі можна в місцевому центрі обслуговування продуктів Husqvarna для використання надворі.
- Використовуйте лише ті подовжувачі, які призначені для використання надворі та відповідають вимогам однієї із зазначених нижче специфікацій: Звичайна гума (60245 IEC 53), Звичайний полівінілхлорид (60227 IEC 53) або Звичайний поліхлоропрен (60245 IEC 57)
- Для запобігання виникненню небезпечних ситуацій заміна пошкодженого кабелю повинна здійснюватися виробником, представником центру обслуговування виробника або кваліфікованим спеціалістом.

Запуск виробу

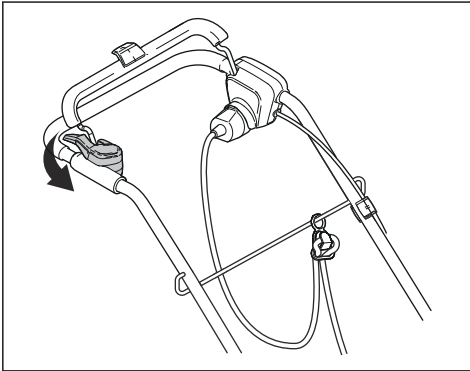
1. Вставте шнур живлення в гніздо під рукою.



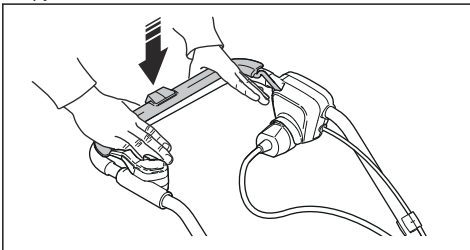
2. Вставте шнур живлення у тримач шнура живлення. Див. Використання тримача шнура живлення (модель LC 141C) на сторінці 766.



3. Залишайтеся позаду виробу.
4. Відпустіть обмежувач запуску.

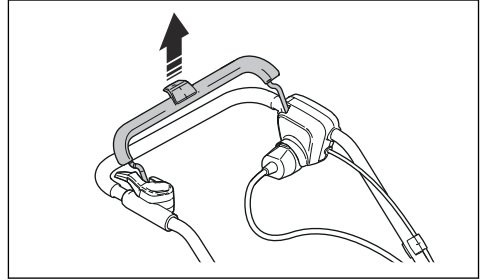


5. Перемістіть ручку зупинення двигуна в напрямку рукоятки.

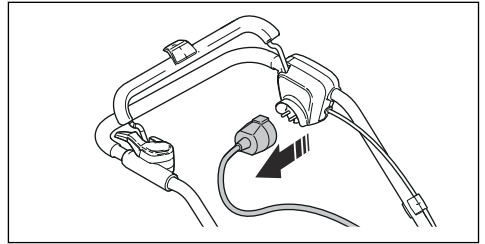


Зупинка виробу

1. Для зупинення двигуна відпустіть ручку зупинення двигуна.



2. Від'єднайте шнур живлення від електромережі, а потім від виробу.



УВАГА: Тягніть штепсель назад, не розкитуючи. У жодному разі не тягніть за шнур живлення.

Забезпечення ефективної роботи

- Завжди користуйтеся гострим лезом. Тупе лезо ріже нерівно, а трава на поверхні розрізу жовтіє. Крім того, гостре лезо споживає менше енергії за тупе.
- Не скошуйте більше $\frac{1}{3}$ довжини трави. Спочатку треба виконувати скошування з великою висотою різання. Оцініть результат і зменште висоту зрізання на потрібну вам. Якщо трава дуже довга, ведіть газонокосарку повільно і виконайте скошування двічі, якщо це необхідно.
- Косіть щоразу в різних напрямках, щоб на газоні не було смуг.

ТЕХНІЧНЕ ОБСЛУГОВУВАННЯ

Вступ



ПОПЕРЕДЖЕННЯ: Перед виконанням робіт із технічного обслуговування обов'язково прочитайте й

усвідомте зміст розділу про заходи безпеки.

Для всіх робіт з обслуговування та ремонту необхідна спеціальна підготовка. Ми гарантуємо доступність послуг із професійного ремонту та

обслуговування. Якщо ваш дилер не є одночасно центром обслуговування, зверніться до нього по інформацію щодо найближчого центру обслуговування.

Інтервали змінюються для іншої частоти використання виробу.

Відомості про види обслуговування, позначені зірочкою (*), див. у розділі *Механізми безпеки на пристрої на сторінці 765.*

Графік технічного обслуговування

Інтервали технічного обслуговування вказані з урахуванням щоденного використання виробу.

LC 141IV, LC 141i і LC 141C	Перед кожним використанням	Щомісяця	Щоквартально
Загальна перевірка.	X		
Чищення виробу.	X		
Перевірка обмежувача запуску*.	X		
Перевірка справності захисних систем виробу*.	X		
Перевірка різального обладнання.	X		
Перевірка кожуха леза*.	X		
Перевірка ручки зупинення двигуна*.	X		

Тільки LC 141IV і LC 141i	Перед кожним використанням	Щомісяця	Щоквартально
Перевірка справності роботи кнопки «УВИМК./ВИМК.».	X		
Перевірка акумулятора на наявність пошкоджень.	X		
Перевірка рівня заряду акумулятора.	X		
Перевірка справності кнопок виймання акумулятора та надійності утримання акумулятора у виробі.	X		
Перевірка зарядного пристрою на наявність пошкоджень та правильності його роботи.		X	
Перевірка з'єднань між акумулятором та виробом. Перевірка з'єднань між акумулятором та зарядним пристроєм.			X

Процедура загальної перевірки

- Переконайтеся, що всі гайки й гвинти на виробі затягнуті.
- Переконайтеся, що кабелі встановлені так, щоб вони не пошкодились.

призвести до короткого замикання або пошкодження виробу.

- Для чищення виробу не використовуйте миючий апарат високого тиску.
- Заборонено лити воду безпосередньо на двигун.
- Прибирайте листя, траву та бруд за допомогою щітки.

Чищення виробу

- Для очищення пластмасових деталей використовуйте суху чисту тканину.
- Не користуйтеся водою для очищення виробу. Вода може потрапити в акумулятор чи двигун та

Чищення акумулятора та зарядного пристрою



УВАГА: Заборонено мити батарею чи зарядний пристрій водою.

- Перш ніж вставити акумулятор у зарядний пристрій, переконайтеся, що акумулятор і зарядний пристрій чисті й сухі.
- Чистити контакти акумулятора потрібно стисненим повітрям або за допомогою м'якої сухої ганчірки.
- Чистити поверхню акумулятора та зарядного пристрою потрібно за допомогою м'якої сухої ганчірки.

Перевірка різального обладнання



ПОПЕРЕДЖЕННЯ: Для моделей LC 141iV і LC 141i: Щоб запобігти випадковому запуску двигуна, поверніть ключ безпеки в положення «0», вийміть акумулятор та зачекайте принаймні 5 секунд.

Для моделі LC 141C: Щоб запобігти випадковому запуску двигуна, від'єднайте шнур живлення.



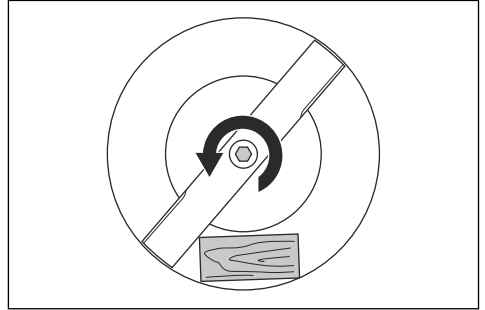
ПОПЕРЕДЖЕННЯ: Під час технічного обслуговування різального обладнання використовуйте захисні рукавиці. Лезо дуже гостре, ним можна легко порізатися.

1. Перевірте різальне обладнання на наявність пошкоджень або тріщин. Обов'язково замінійте пошкоджене різальне обладнання.
2. Огляньте лезо на предмет пошкоджень або затуплення.

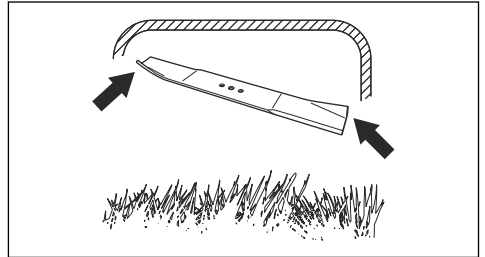
Зверніть увагу: Після гостріння леза необхідно відрегулювати його баланс. Гостріння, заміну та балансування леза необхідно проводити в центрі обслуговування. У разі потраплення на перешкоду, що призвела до зупинки двигуна, замініть пошкоджене лезо. Спеціалісти центру обслуговування мають провести оцінювання стану леза та надати консультацію щодо необхідності його гостріння або заміни.

Демонтаж та заміна леза

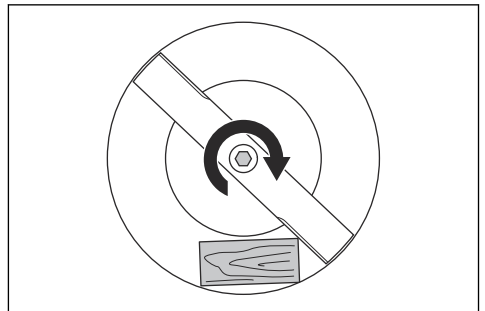
1. Зафіксуйте лезо дерев'яним брусом.



2. Вийміть болт леза.
3. Зніміть лезо.
4. Перевірте опору леза та болт на предмет пошкоджень.
5. Перевірте вал двигуна на предмет згинань.
6. Під час встановлення нового леза направляйте розміщені під кутом кінці в напрямку кожуха леза.



7. Переконайтеся, що лезо знаходиться на одному рівні з центром вала двигуна.
8. Зафіксуйте лезо дерев'яним брусом. Установіть пружинну шайбу та затягніть болт і шайбу з моментом 20 Н·м.



9. Прокрутіть лезо рукою та переконайтеся, що воно вільно обертається.



ПОПЕРЕДЖЕННЯ:

Використовуйте міцні робочі рукавиці.

Лезо дуже гостре, ним можна легко порізатися.

10. Запустіть виріб, щоб перевірити роботу леза. У разі неправильного встановлення леза у виробі буде спостерігатися вібрація або результат скошування буде незадовільний.

Усунення несправностей

Акумулятор

Світлодіоди на акумуляторі	Причина	Рішення
Блимає зелений світлодіод.	Низька напруга акумулятора.	Зарядіть акумулятор. Див. <i>Зарядка акумулятора на сторінці 774.</i>
Блимає світлодіодний індикатор помилки.	Занизький рівень заряду акумулятора.	Зарядіть акумулятор. Див. <i>Зарядка акумулятора на сторінці 774.</i>
	Температура в робочому середовищі занадто низька або занадто висока.	Акумулятор дозволяється використовувати за температури від $-10\text{ }^{\circ}\text{C}$ до $+40\text{ }^{\circ}\text{C}$.
	Перенапруга.	Переконайтеся, що напруга в мережі відповідає значенням, указаним на табличці з паспортними даними виробу. Вийміть акумулятор із зарядного пристрою. Почекайте 5 секунд і спробуйте зарядити акумулятор. Якщо проблему не вдається усунути, зверніться в авторизований центр обслуговування.
Горить світлодіодний індикатор помилки.	Завелика різниця напруги між елементами (1 В).	Зверніться в авторизований центр обслуговування.

Зарядний пристрій акумулятора

Світлодіодний індикатор на зарядному пристрої	Причина	Рішення
Блимає світлодіодний індикатор помилки.	Температура в робочому середовищі занадто низька або занадто висока.	Зарядний пристрій дозволяється використовувати за температури від $5\text{ }^{\circ}\text{C}$ до $40\text{ }^{\circ}\text{C}$.
Горить світлодіодний індикатор помилки.		Зверніться в авторизований центр обслуговування.

Панель керування

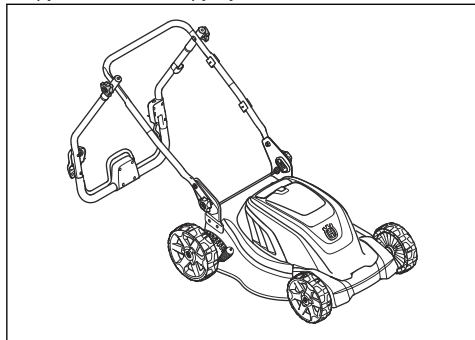
У разі виникнення проблем, не наведених у цьому розділі, зверніться в центр обслуговування.

Кнопкова панель	Можливі несправності	Рекомендовані дії
Блимає світлодіодний індикатор помилки.	Двигун перенавантажений	Збільште висоту різання. Див. <i>Налаштування висоти різання на сторінці 773.</i>
	Частота обертання двигуна занадто падає та він зупиняється	
	Елементи керування двигуном занадто нагрілися	Зупиніть двигун та почекайте, доки вони охолонуть
	Лезо заблоковане	Щоб запобігти випадковому ввімкненню виробу, поверніть ключ безпеки в положення «0», вийміть акумуляторну батарею та почекайте принаймні 5 секунд. Переконайтеся, що лезо може вільно обертатися. Якщо усунути несправність не вдалося, зв'яжіться з уповноваженим центром обслуговування
Виріб зупиняється	Помилка акумулятора або відсутність сигналу від нього	Правильно вставте акумулятор у виріб та перевірте його роз'єм. Якщо світлодіодний індикатор на акумуляторі продовжує блимати, див. <i>Акумулятор на сторінці 780.</i>
	Занадто низький рівень заряду акумулятора	Зарядіть акумулятор Див. <i>Зарядка акумулятора на сторінці 774.</i>
	Несправність роз'єму акумулятора	Огляньте роз'єм акумулятора

Транспортування, зберігання й утилізація

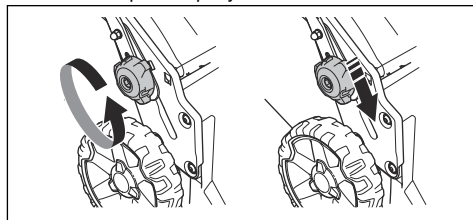
Встановлення виробу в положення для транспортування

1. Якщо встановлено травозбірник, зніміть його.
2. Відпустіть фіксувальні голівки на верхній частині ручки та складіть ручку.

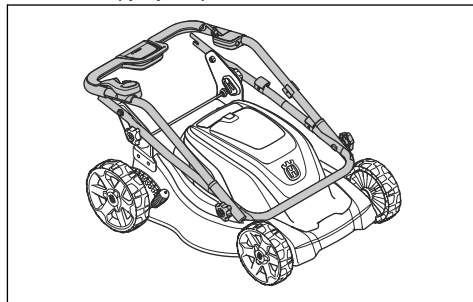


3. Відпустіть нижні фіксувальні голівки.

4. Пересуньте голівки у нижню частину прорізів зліва та справа виробу.



5. Складіть ручку вперед.



Транспортування

- До літій-іонних акумуляторів, що йдуть у комплекті, застосовується законодавство щодо небезпечних товарів.
- Під час транспортування цивільним транспортом слід дотримуватися спеціальних вимог, що зазначені на пакуванні та наклейках.
- У разі підготовки виробу до транспортування переконайтеся, що ви дотримуєтесь законодавства щодо небезпечних матеріалів. Крім того, можуть застосовуватися місцеві норми.
- Перед перевезенням виробу слід завжди виймати акумуляторну батарею.
- Заклейте з'єднувачі акумулятора стрічкою та переконайтеся, що під час транспортування він буде надійно зафіксований.
- Під час транспортування закріплюйте виріб.

Зберігання

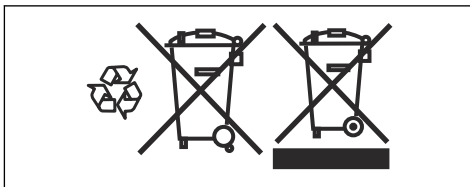
- Перед зберіганням виробу слід завжди виймати акумулятор.
- Задля уникнення нещасних випадків переконайтеся, що під час зберігання акумулятор не під'єднаний до виробу.
- Зберігайте зарядний пристрій у сухому місці в закритому приміщенні.
- Зберігайте акумулятор та зарядний пристрій у сухому місці, захищеному від вологи та холоду.
- Під час зберігання від'єднуйте акумулятор від зарядного пристрою.
- Заборонено зберігати акумулятор у місці, де можуть утворюватися статичні заряди. Не зберігайте акумулятор у металевій коробці.
- Зберігайте акумулятор за температури від 5°C до 25°C у захищеному від прямих сонячних променів місці.

- Зберігайте зарядний пристрій за температури від 5°C до 45°C у захищеному від прямих сонячних променів місці.
- Перед тривалим зберіганням акумуляторної батареї переконайтеся, що рівень її заряду становить 30–50 %.
- Зберігайте виріб, акумулятор та зарядний пристрій у закритому приміщенні, куди не зможуть отримати доступ діти та особи без належної підготовки.
- Перед тривалим зберіганням промийте виріб та проведіть повне технічне обслуговування.

Утилізація

Символи на виробі або його упаковці вказують на те, що його не слід утилізувати разом з побутовими відходами. Утилізацію цього виробу слід здійснювати на спеціалізованому підприємстві з переробки відходів електричного й електронного обладнання.

Належна утилізація виробу допоможе запобігти потенційному негативному впливу на стан навколишнього середовища та здоров'я людей, який може стати наслідком некоректної обробки відходів. Докладну інформацію про утилізацію цього виробу можна отримати в органах місцевого самоврядування, місцевих службах переробки відходів або в магазині, де було придбано цей пристрій.



Технічні характеристики

Технічні дані LC 141iV, LC 141i

	LC 141iV	LC 141i
Cutting motor (Різальний двигун)		
Тип двигуна	Двигун постійного струму (без щіток) 36 В	Двигун постійного струму (без щіток) 36 В
Швидкість двигуна – SavE, об. на хв	2700	2700
Швидкість двигуна – номінальна, об. на хв	3100	3100
Швидкість двигуна – підвищена потужність, об. на хв	3700	3700
Вихідна потужність двигуна – максимальна, кВт	0,8	0,8
Вихідна потужність двигуна – номінальна, кВт	0,55	0,55
Повідний двигун		

	LC 141iV	LC 141i
Вихідна потужність двигуна – номінальна, кВт	0,25	Н/Д
Швидкість самохідного руху, км/ч	3,0-4,5	Н/Д
Рівні швидкості	4	Н/Д
Маса		
Вага без акумулятора, кг	21,5	18,6
Акумулятор ¹⁹⁰		
Тип акумулятора	Серія Husqvarna	Серія Husqvarna
Тривалість роботи акумулятора		
Тривалість роботи акумулятора, хв. (холостий хід) з активованою функцією SavE, з одним акумулятором Husqvarna ємністю 5,2 А·год (BLi200).	77	77
Тривалість роботи акумулятора, хв. (холостий хід) у стандартному режимі роботи, з одним акумулятором Husqvarna ємністю 5,2 А·год (BLi200).	45	45
Випромінювання шуму ¹⁹¹		
Рівень звукової потужності, дБ (А)	88	88
Рівень звукової потужності, гарантований L _{WA} дБ(А)	89	89
Рівні звуку ¹⁹²		
Рівень звукового тиску у вусі оператора, дБ(А)	83	83
Рівні вібрації ¹⁹³		
Ручка, м/с ²	2,0	2,0
Скошування		
Висота зрізання, мм	25-70	25-70
Ширина зрізання, см	41	41
Артикульний номер леза	Збирання – 5011716-01	Збирання – 5011716-01
Місткість травозбірника, літри	50	50

¹⁹⁰ Для досягнення найкращих результатів та продуктивності рекомендується використовувати акумуляторну батарею BLi200 Husqvarna.

¹⁹¹ Випромінювання шуму в середовище, виміряне як звукова потужність (L_{WA}), відповідає директиві ЄС 2000/14/ЕС.

¹⁹² Заявлені дані про рівень шумового тиску мають стандартну статистичну розбіжність (стандартне відхилення) в 1,2 дБ(А).

¹⁹³ Указані дані щодо рівня вібрації мають стандартну статистичну розбіжність (стандартне відхилення), що становить 0,2 м/с².

Схвалені акумулятори	Бренд	Тип	Ємність батареї, ампер-години	Напруга, В	Маса, фунти/кг
BLi10	Husqvarna	Літій-іонний	2,0	36	1,8 / 0,8
BLi100	Husqvarna	Літій-іонний	2,6	36	1,9 / 0,8
BLi20	Husqvarna	Літій-іонний	4,0	36	2,7 / 1,2
BLi200	Husqvarna	Літій-іонний	5,2	36	2,8/1,3
BLi300	Husqvarna	Літій-іонний	9,4	36	4,1 / 1,9

Схвалені зарядні пристрої для вказаних акумуляторів,	Бренд	Вхідна напруга, В	Частота, Гц	Потужність, Вт
QC80	Husqvarna	100-240	50-60	80
QC80F	Husqvarna	12	0	80
QC250	Husqvarna	220-240	50	250
QC330	Husqvarna	100-240	50-60	330
QC500	Husqvarna	100-240	50-60	500

Технічні дані LC 141C

LC 141C	
Двигун	
Тип двигуна	Серія двигунів змінного струму
Швидкість двигуна – номінальна, об. на хв	3200
Потужність	1800 Вт
Джерело живлення	Дротовий тип підключення до електромережі
Кабель живлення (входить у комплект лише за умови продажу на території Сполученого Королівства)	
Тип кабелю	Подовжувальний кабель 16 м
Вага, кг	1,6
Вага	
Вага, кг	20,4
Випромінювання шуму ¹⁹⁴	
Рівень звукової потужності, вимірюваний у децибеллах (A)	93
Рівень звукової потужності, гарантований L _{WA} дБ (A)	95

¹⁹⁴ Випромінювання шуму в середовище, виміряне як звукова потужність (L_{WA}), відповідає директиві ЄС 2000/14/ЄС.

	LC 141C
Рівні звуку ¹⁹⁵	
Рівень звукового тиску у вусі оператора, дБ(А)	85
Рівні вібрації ¹⁹⁶	
Ручка, м/с ²	2,0
Косіння	
Висота зрізання, мм	25-70
Ширина зрізання, см	41
Артикульний номер леза	Збирання 5011716-01
Місткість травозбірника, літри	50

¹⁹⁵ Заявлені дані про рівень шумового тиску мають стандартну статистичну розбіжність (стандартне відхилення) в 1,4 дБ(А).

¹⁹⁶ Заявлені дані щодо рівня вібрації мають стандартну статистичну розбіжність (стандартне відхилення) у 0,2 м/с².

Декларація відповідності ЄС

Декларація відповідності ЄС

Ми, Husqvarna AB, SE-561 82 місто Хускварна, Швеція, телефон: +46-36-146500, заявляємо, що **газонокосарки Husqvarna LC 141iV і LC 141i** із серійними номерами, що починаються з 2018XXXXXXX та пізніші а також **Husqvarna LC 141C** із серійними номерами, що починаються з 2015XXXXXXX, відповідають вимогам ДИРЕКТИВ ЄВРОПЕЙСЬКОЇ РАДИ:

- від 8 червня 2011 р. «Про обмеження використання деяких небезпечних речовин» **2011/65/EU**
- від 17 травня 2006 р. «стосовно механічного обладнання» **2006/42/EC**
- від 26 лютого 2014 р. «Про електромагнітну сумісність» **2014/30/EU**
- від 8 травня 2000 р. «Про випромінювання шуму до навколишнього середовища» **2000/14/EC**

Відомості стосовно випромінювання шуму див. у розділі. у розділі «Технічні дані».

Для сертифікації Husqvarna LC 141iV і LC 141i застосовано такі стандарти: **IEC 60335-2-77:2002, IEC 60335-1:2010+A1:2013, EN 55014-1:2017, EN 55014-2:2015, EN 61000-3-2:2014, EN 61000-3-3:2013, EN 62233:2008**

Для сертифікації Husqvarna LC 141C застосовано такі стандарти: **EN 60335-1:2012+A11:2014, EN 60335-2-77:2010, EN 62233:2008, EN 55014-1:2017+A11, EN 55014-2:2015, EN 61000-3-2:2019, EN 61000-3-11:2019**

Уповноважений орган: **0404, RISE SMP Svensk Maskinprovning AB, Box 7035, SE-750 07 Uppsala** виконав оцінювання відповідності згідно з додатком VI Директиви Ради ЄС 2000/14/EC.

Husqvarna, 2020-10-13



Клаес Лосдал (Claes Losdal), директор із питань розвитку / продукції для садівництва (уповноважений представник компанії Husqvarna AB, що відповідає за технічну документацію).

内容

引言.....	787	故障排除.....	803
安全性.....	790	运输、存放和废弃处理.....	804
安装.....	795	技术参数.....	805
操作.....	797	欧盟一致性声明.....	809
维护.....	802		

引言

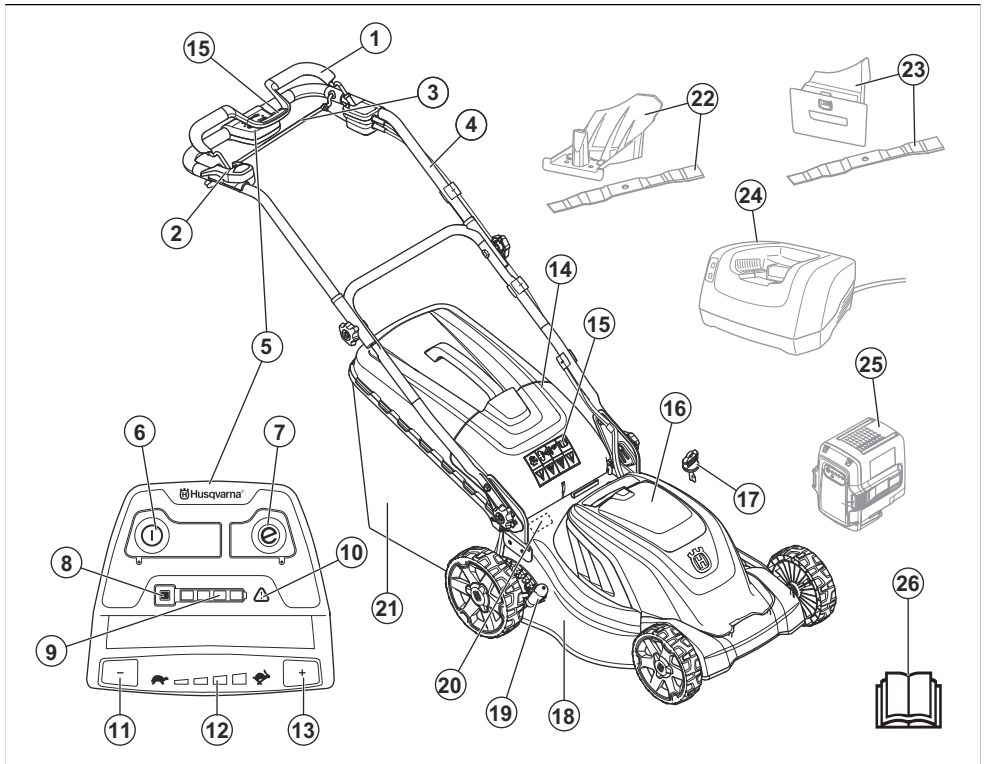
产品说明

本产品是一款步行控制式草坪机。草料收集在集草袋中。拆下集草袋，以便从后方卸草。连接覆盖套件（附件），将草料切割成肥料。

预期用途

使用产品修剪草坪。切勿将产品用于其他任务。

产品概览 LC 141iV / LC 141i

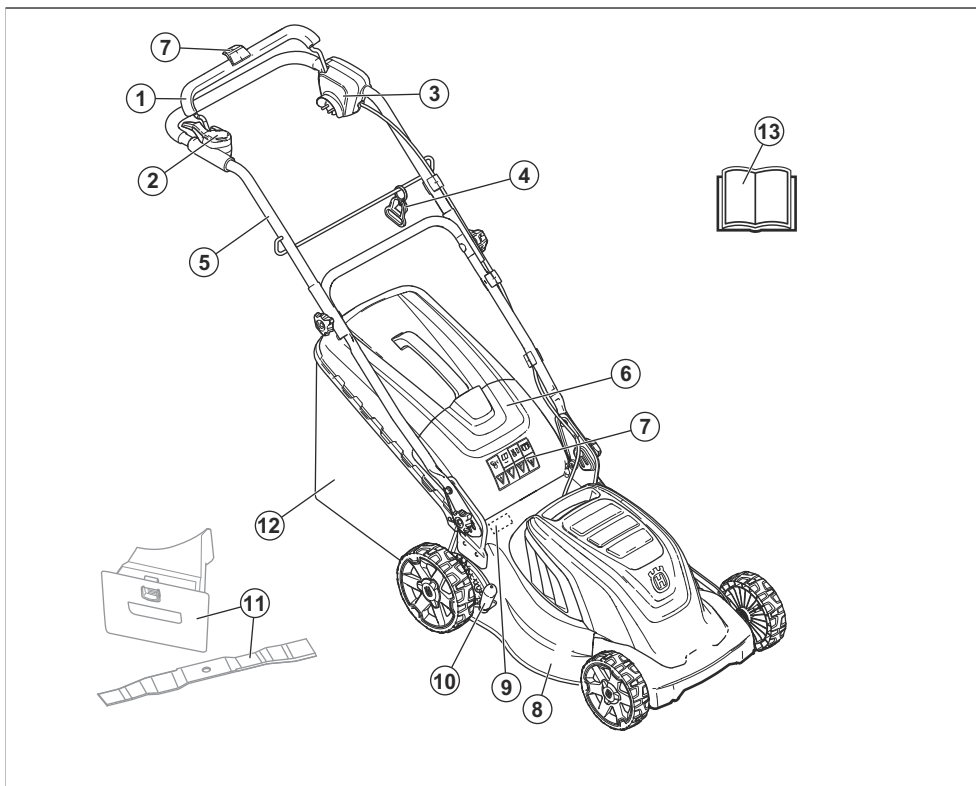


1. 电机制动手柄
2. 启动禁止器
3. 驱动杆 (LC 141iV)
4. 手柄/手柄杆
5. 控制板
6. 开/关按钮
7. SavE 按钮
8. 电池指示灯按钮
9. 电池充电指示器
10. 警告指示灯 (错误指示灯)

11. 减速按钮 (LC 141iV)
12. 速度级别指示灯 (LC 141iV)
13. 加速按钮 (LC 141iV)
14. 后盖
15. 符号
16. 电池盖
17. 安全钥匙
18. 切割防护盖

19. 修剪高度杆
20. 标牌
21. 集草袋
22. 地面覆盖套件 (LC 141iV 的附件)
23. 地面覆盖套件 (LC 141i 的附件)
24. 电池充电器 (附件)
25. 电池 (附件)
26. 说明书

产品概览 LC 141C



1. 电机制动手柄
2. 启动禁止器
3. 电源线插座
4. 电源线夹
5. 手柄/手柄杆
6. 后盖
7. 符号
8. 切割防护盖
9. 标牌
10. 修剪高度杆
11. 地面覆盖插件 (附件)
12. 集草袋

13. 说明书

本产品上的符号



如果粗心大意地或不正确地使用本产品，可能会导致操作人员或旁观者受伤甚至死亡。



请认真阅读本操作手册，确保在充分理解各项说明之后再使用本产品。



确保人员和动物与工作区域保持安全距离。



注意抛掷物和反弹物。



警告：使手和脚远离正在旋转的刀片。



警告：使手和脚远离回转部件。



在对本产品进行维护之前，请先拆下安全钥匙。（型号 LC 141iV/ LC 141i）



在对本产品进行维护之前，先从电源插座上断开产品电源。（型号 LC 141C）

IPX1

IPX1 - 本产品可防滴水（型号 LC 141iV/ LC 141i）

IPX4

IPX4 - 本产品可防水溅（型号 LC 141C）



切勿让雨水落到本产品上（型号 LC 141iV/ LC 141i）



警告：切勿横跨电源线操作本产品，因为这可能会导致电击或损坏本产品。（型号 LC 141C）



本产品符合适用的 EC 指令的要求。



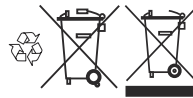
在环境中的噪音排放符合欧盟指令。本产品的噪音排放在“技术资料”一章和产品标签上有详细说明。



直流电。36V



双重绝缘。



请将本产品送往电气和电子设备回收点，进行回收利用。（仅适用于欧洲）



型号 LC 141iV/ LC 141i 的启动过程：按下开/关按钮，松开启动禁止器，向下推电机制动手柄。



LC 141C 型号的启动过程：松开启动禁止器，向下推电机制动手柄。



释放电机制动手柄以停止。



慢速



快速



扫描码

注意： 有关本产品上的其他符号/标识，请参阅适用于部分市场的认证要求。

产品责任

如产品责任法律中所引用的，在以下情况下，我们对我们的产品所导致的损坏不承担责任：

- 未正确修理产品。
- 使用并非来自制造商或者未获得制造商批准的零部件修理产品。
- 产品具有并非来自制造商或者未获得制造商批准的附件。
- 未在获得批准的服务中心修理产品，或者并非由获得批准的机构修理产品。

安全性

安全定义

本手册使用了“警告”、“小心”和“注意”来指出特别重要的内容。



警告： 当不遵守手册中的说明可能会给操作员或周围人员带来伤害或死亡风险时，会使用此标志。



小心： 当不遵守手册中的说明可能会对产品、其他材料或附近区域造成损坏时，会使用此标志。

注意： 用于提供特定状况下所需的更多信息。

一般安全须知



警告： 请在使用本产品前阅读下面的警告说明。

- 如果使用不当，或者如果您不小心，则本产品非常危险。如果未遵守一般安全须知，可能会导致伤害或死亡。

- 本产品在操作期间会产生电磁场。电磁场在某些情况下会干扰有源或无源医疗植入体。为了减少严重或致命性伤害风险，我们建议使用医疗植入体的人员在操作本产品之前事先咨询其医生及医疗植入体制造商。
- 请务必多加小心，并运用常识来判断。如果您不确定在特殊情况下如何操作本产品，请停止操作并与您的 Husqvarna 经销商联系。
- 切记，操作员将对涉及他人或其财产的事故负责。
- 请保持产品清洁。确保您可以清楚地阅读标记和标签。
- 切勿让不熟悉这些说明的儿童或人员使用本设备。当地法律

- 可能会对操作员的年龄加以限制
- 若使用产品的人员身体能力或心智能力降低，务必对其进行监督。成人监督人必须始终在场。
 - 当您感到疲倦、生病或受到酒精、麻药或药物的影响时，请勿使用本产品。这些因素会对您的视觉、警惕性、协调能力或判断力产生不良影响。
 - 如果本产品有缺陷，切勿使用。
 - 如果本产品可能被他人改动过，请勿再进行改动或使用。

工作区安全



警告： 请在使用本产品前阅读下面的警告说明。

- 在使用本产品之前，请清除作业区域中的树枝、枝桠和石头等物体。
- 这些物体碰撞到切割设备会被弹出，导致人员受伤和物体损坏。确保附近人员和动物与本产品保持安全距离。
- 切勿在雾天、雨天、强风、严寒和闪电等恶劣天气下使用本产品。在恶劣天气下或潮湿地点使用本产品容易令人感到疲倦。恶劣天气会导致危险的情况，如湿滑的路面。
- 留意可能妨碍本产品安全运行的人员、物体和情况。

- 留意如树根、石头、枝桠、坑和沟渠等障碍。茂盛的草会隐藏障碍物。
- 在斜坡上割草可能非常危险。不要在陡坡上割草。不要在坡度超过 15° 的地面上使用本产品
- 在斜坡上换向时要格外小心。面对斜坡操作本产品。切勿上下移动。
- 在接近隐藏的角度和物体时请小心谨慎，以免阻碍视线。

作业安全



警告： 请在使用本产品前阅读下面的警告说明。

- 本产品仅用于切割草坪。不允许用于其他任务。
- 使用个人防护装备。请参阅 *个人防护装备在第 792 页上*。
- 确保您知道在紧急情况下如何快速停止电机。
- 请勿在雨天或潮湿的条件下操作本产品。如果水进入本产品，发生电击的风险会增加。
- 除非已正确连接刀片和所有盖板，否则请勿操作本产品。未正确连接的刀片可能松动，导致人身伤害。
- 确保刀片不会碰到石头和树根等物体。这会损坏刀片，并折弯电机轴。折弯的轴会导致严重振动，刀片松动的风险也很高。

- 如果刀片碰撞到任何异物或者发生振动，请立即关闭本产品。停止电机，将安全钥匙转至 0，拆下电池（型号 LC 141iV 和 LC 141i）或断开电源线（型号 LC 141C）。检查本产品是否损坏。维修损坏的地方或让授权的保养厂执行维修。
- 启动电机时，切勿将电机制动手柄永久连接至手柄。
- 将本产品放置在稳定、平坦的地面上，然后将其启动。确保刀片不会碰撞到地面或其他物体。
- 当您操作本产品时，请始终站在本产品的后面。
- 在操作本产品时使所有车轮接触地面，并将双手放在手柄上。手和脚远离正在旋转的刀片。
- 当电机启动后，请勿倾斜本产品。
- 向后拉动本产品时请小心谨慎。
- 切勿在电机启动后吊起本产品。如果必须提起产品，请先停止电机，将安全钥匙转至 0，并拆下电池（型号 LC 141iV 和 LC 141i）或断开电源线（型号 LC 141C）。
- 在操作本产品时切勿倒退行走。
- 当您在没有草的区域移动时，例如由石砾、石头和沥青等铺成的道路，应停止电机。

- 请勿在电机启动后带着本产品奔跑。操作本产品时始终保持步行。
- 在更改修剪高度之前，请先停止电机运转。切勿在电机启动后进行调整。
- 切勿在电机启动后将本产品置于视线以外的地方。停止电机运转，确保切割设备不转动。

操作安全须知

个人防护装备



警告： 请在使用本产品前阅读下面的警告说明。

- 个人防护装备不能完全避免受伤，但当意外发生时，可降低伤害程度。请经销商协助您选择正确的防护装备。
- 穿上结实耐磨防滑靴或防滑鞋。请勿穿凉鞋或赤脚。
- 请穿上厚实的长裤。
- 必要时戴上保护手套，例如在安装、检查或清洁切割设备时。

产品上的安全装置



警告： 请在使用本产品前阅读下面的警告说明。

- 切勿在安全装置有故障的情况下使用产品。
- 定期检查安全装置。如果安全装置有故障，请联系您的 Husqvarna 保养厂。

检查切割防护盖

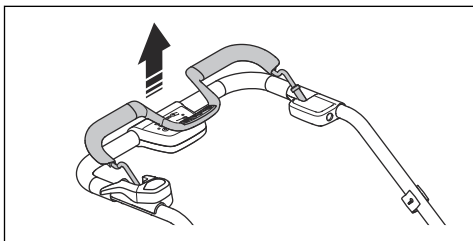
切割防护盖可降低本产品产生的振动，并降低被刀片割伤的风险。

- 检查切割防护盖，确保没有损坏，如裂缝。

电机制动手柄

电机制动手柄可停止电机。松开电机制动手柄后，电机停止。

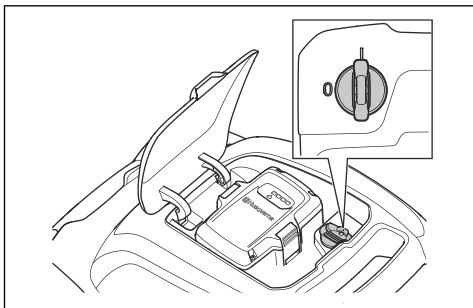
要检查电机制动，启动电机，然后松开电机制动手柄。如果电机未在 3 秒钟内停止，应请经认可的 Husqvarna 保养厂调整电机制动。



安全钥匙 (型号 LC 141IV 和 LC 141i)

安全钥匙位于电池盖下方。安全钥匙用于连接为电机供电的电池。

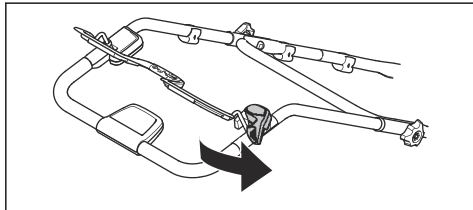
- 启动和停止电机运转以检查安全钥匙。
- 如果安全钥匙正常工作，则电机只在安全钥匙处于位置 1 时才会启动。



检查启动禁止器

检查启动禁止器，确保它能防止电机运转。

1. 朝手柄杆方向推动电机制动手柄。启动禁止器停止移动。
2. 将启动禁止器推出。

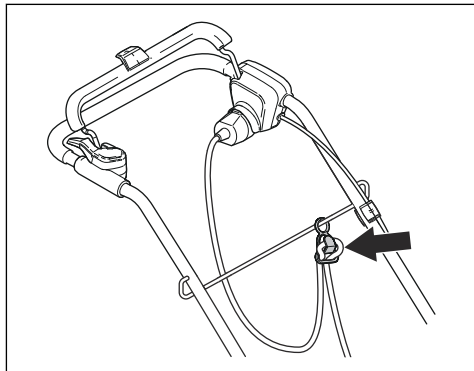


3. 松开启动禁止器，并确保它会返回到其初始位置。

使用电源线夹 (型号 LC 141C)

电源线夹可减少电源插座和电源线上的压力。电源线夹还可降低您跌倒的风险。

1. 将电源线弯曲成小环。
2. 将环放入电源线夹的孔中。
3. 将环绕在挂钩上。
4. 拉动电源线以将环绕在挂钩上。



电池安全



警告： 请在使用本产品前阅读下面的警告说明。

- 只能将 Husqvarna 充电电池用作相关 Husqvarna 产品的电源。为避免伤害，请勿用电池为其他装置供电。
- 请勿使用一次性电池。
- 有发生电击的危险。请勿将电池端子连接至钥匙、硬币、螺钉或其他金属上。这会导致电池短路。
- 请勿将异物放入电池的导气槽中。
- 使电池远离阳光、热量或明火。电池可能爆炸并导致烧伤和/或化学烧伤。
- 使电池远离雨水和潮湿条件。

- 使电池远离微波和高压条件。
- 请勿尝试拆卸或破坏电池。
- 如果电池出现泄漏，不要让电池酸液接触到身体或眼睛。如果接触了电池酸液，请先用大量清水清洗接触部位，然后送医治疗。
- 在 -10°C 至 40°C 之间的温度下使用电池。
- 切勿用水清洁电池或充电器。请参阅 *清洁电池和电池充电器* 在第 802 页上。
- 切勿使用存在缺陷或损坏的电池。
- 电池在存放时应远离金属物体，如钉子、硬币、珠宝首饰等。

充电器安全性



警告： 请在使用本产品前阅读下面的警告说明。

- 只能使用 QC 电池充电器为 Husqvarna 备用电池充电。
- 电击或短路风险。请勿将异物放置在充电器的导气槽中。切勿尝试拆卸电池充电器。切勿将充电器端子连接到金属物体上。使用认可的电源插座。
- 本产品 in 操作期间会产生电磁场。电磁场在某些情况下会干扰有源或无源医疗植入体。为了减少严重或致命性伤害风险，我们建议使用医疗植入体的人员在操作本产品之前事先

咨询其医生及医疗植入体制造商。

- 定期确认电池充电器的电源线未受损且内部无裂纹。
- 切勿用电源线提起电池充电器。要从电源插座断开电池充电器，请拔出插头。切勿拽拉电源线。
- 确保所有电源线和延长电线远离水、油和锋利边缘。确保电线不会夹在门、栅栏或类似物体之间。否则会使充电器带电。
- 切勿用水清洁电池充电器。
- 8 周岁起的儿童和体力、感官或精神能力较差或缺乏经验和知识的成年人，可在得到监督或指导、了解如何安全使用电池充电器及其所涉及危险的情况下使用电池充电器。不得让儿童玩耍电池充电器。儿童不得在没有监督的情况下对设备进行清洁和维护。
- 切勿将非充电电池放入电池充电器中充电。
- 请勿在易燃材料或可能导致腐蚀的材料附近使用电池充电器。不要盖住电池充电器。如果出现冒烟或着火，拔出电池充电器插头。
- 切勿使用存在缺陷或损坏的电池充电器。
- 仅在室内空气流通较好且远离日光的位置为电池充电。请勿在潮湿条件下为电池充电。

电源线的安全性

适用于型号 LC 141C。

- 建议使用跳闸电流不超过 30mA 的漏电保护器 (R.C.D.)。即使安装了 R.D.C.，也不能保证 100% 安全。您必须始终遵守安全工作程序。每次使用时，请检查您的 R.C.D.。
- 如果电源线切断或绝缘层损坏，请立即断开与电源的连接。
- 在断开电源之前，请勿触摸已切断或损坏的电源线。
- 请勿维修已切断或损坏的电源线。换上新的电源线。

维护安全须知



警告： 请在使用本产品前阅读下面的警告说明。

- 适用于型号 LC 141iV, LC 141i：为了防止在维护过程中意外启动，请将安全钥匙转至 0 并取出电池。至少等待 5 秒钟，然后再开始维护。
- 适用于型号 LC 141C：为防止在维护过程中意外启动，请断开电源线。

- 正确执行维护工作将增加本产品的使用寿命，降低发生意外的风险。让经批准的保养厂执行专业维修。如需了解更多信息，请与离您最近的保养厂联系。
- 只能进行本说明书中说明的维护工作。其他保养操作必须由经批准的保养厂完成。
- 在使用切割设备时，请务必戴上耐磨的手套。刀片非常锋利，很容易割到手。
- 保持切割刃锋利并清洁，以获得最佳和最安全的性能。
- 让您的保养厂定期检查本产品，并进行必要的调整及修理。
- 更换已经损坏、磨损或破损的零件。
- 请遵守关于更换配件的说明。只能使用制造商提供的配件。
- 在不使用时，请将本产品、电池和电池充电器分开存放在干燥、上锁的室内区域。确保未获批准的儿童和人员无法取用本产品、电池或电池充电器。

安装

引言

适用于型号 LC 141C：为防止在组装过程中意外启动，请断开电源线。



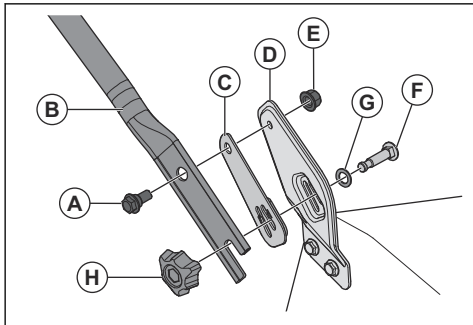
警告： 在装配本产品前，请阅读安全章节。



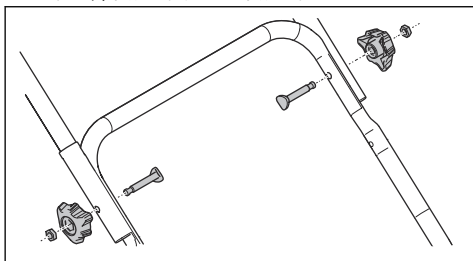
警告： 适用于型号 LC 141iV, LC 141i：为防止在装配过程中意外启动，将安全钥匙转至 0，取下电池，然后等待至少 5 秒钟。

安装手柄

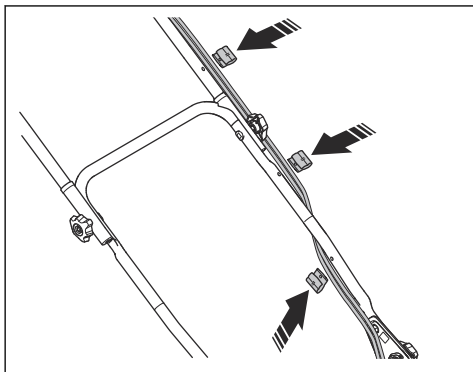
1. 将螺丝 (A) 穿过手柄 (B)、塑料垫片 (C) 和手柄支架 (D)。



2. 完全拧紧螺母 (E)。
3. 将螺丝 (F) 穿过垫片 (G) 和手柄支架。
4. 完全拧紧旋钮 (H)。
5. 将手柄杆中的孔与下手柄中的孔对齐，然后安装螺丝、垫片和旋钮。完全上紧旋钮。

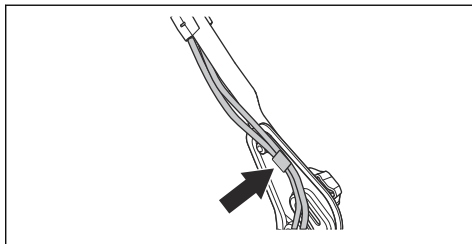


6. 通过电缆夹将电缆固定到手柄上。



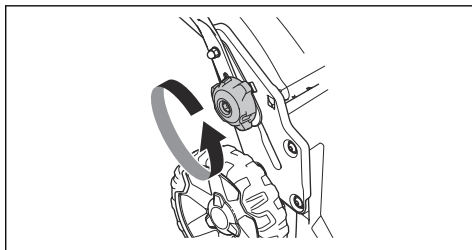
注意： 确保电缆中的张力不会过高。如果手柄折叠到运输位置，则张力过高可能会导致电缆损坏。

7. 将电缆绕在手柄底部的挂钩上。

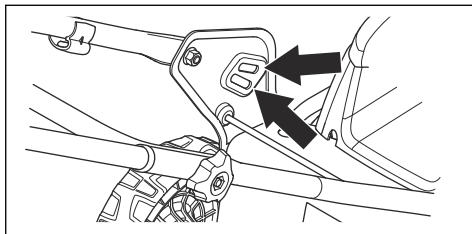


调节手柄高度

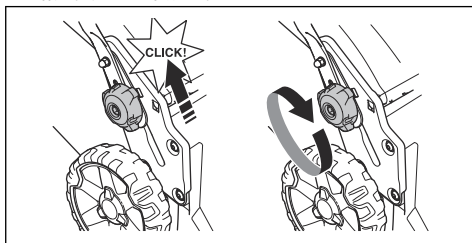
1. 松开下部旋钮。



2. 拆下左右两侧的旋钮、垫片和螺丝。
3. 手柄可以设定至 2 个不同的高度。将螺丝放入左右两侧的 2 个孔中的其中一个。

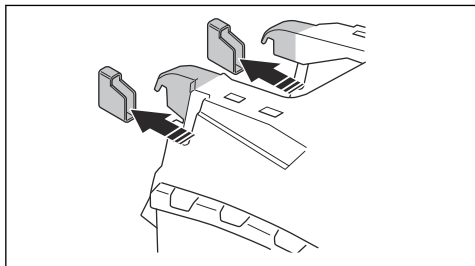


4. 安装螺丝、垫片和旋钮。
5. 朝手柄方向向上转动旋钮，直至它们停止并且听到咔嚓声。完全上紧旋钮。

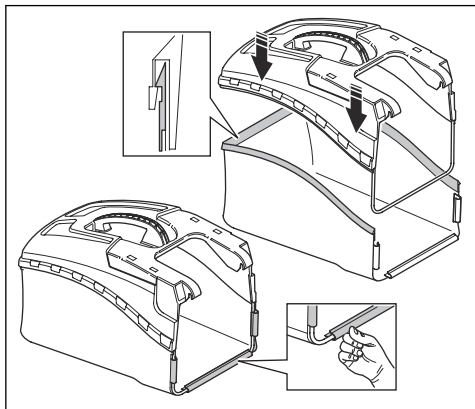


安装集草袋

1. 向外和向下推动 2 个运输盖。

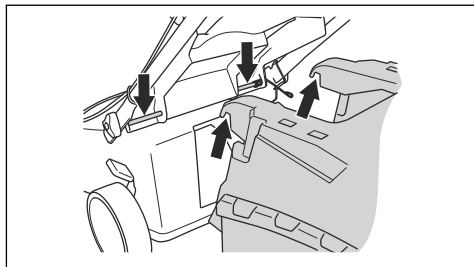


2. 将集草袋倒置，使顶部朝下放置。用夹子固定集草袋框架。



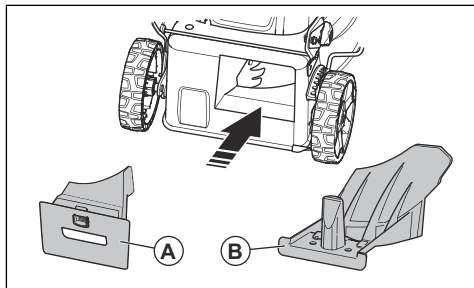
3. 抬起后盖。

4. 将集草袋上的挂钩连接到机架顶部边缘上。



安装地面覆盖套件

1. 抬起后盖，拆下集草袋。
2. 将地面覆盖插件插入到卸草通道中。A 型地面覆盖插件用于 LC 141i 和 LC 141C。B 型用于 LC 141iV。



3. 关闭后盖。
4. 将刀片更换为组合刀片，请参阅 *卸下和更换刀片* 在第 803 页上。

操作

引言



警告： 在使用本产品之前，您必须阅读并理解安全章节。

Husqvarna Connect

Husqvarna Connect 是一款可在移动设备上免费使用的应用程序。Husqvarna Connect 应用程序可为您的 Husqvarna 产品提供扩展功能：

- 扩展产品信息。
- 关于帮助、产品零件和保养的信息。

开始使用 Husqvarna Connect

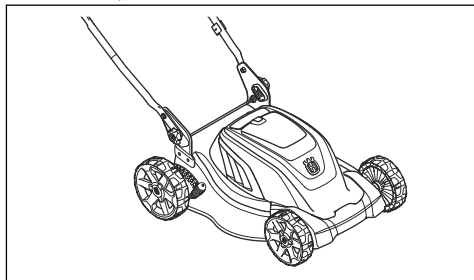
1. 将 Husqvarna Connect 应用程序下载至您的移动设备。
2. 在 Husqvarna Connect 应用程序中注册。

3. 执行 Husqvarna Connect 应用程序中的说明步骤以连接并注册产品。

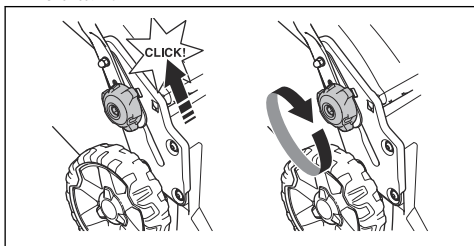
将产品设置在工作位置

如果手柄处于运输和存放位置（请参阅 *将产品设置在运输位置* 在第 804 页上），请执行以下步骤将手柄置于操作位置。

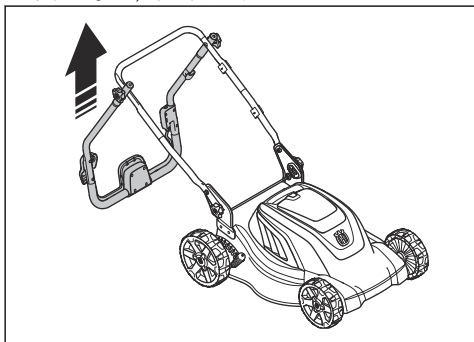
1. 提起手柄，直至下手柄锁定到操作位置。



- 朝手柄方向向上转动下部旋钮，直至它们停止并且听到咔嚓声。

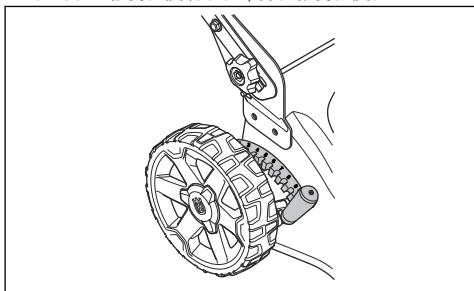


- 压紧扳手。
- 提起上手柄，并上紧旋钮。



设置修剪高度

- 向后移动修剪高度调节杆，增加修剪高度。
- 向前移动修剪高度调节杆，降低修剪高度。



小心：切勿将修剪高度设置得太低。如果草坪表面不平，刀片可能会碰到地面。

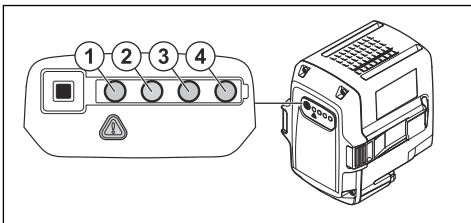
蓄电池



警告：在使用电池前，您必须阅读并理解安全章节。您还必须阅读并理解电池和电池充电器的说明书。

电池状态

指示灯显示剩余的电池电量以及电池是否出现任何问题。本产品关闭后，或者按下电池指示灯按钮之后，电池电量将显示 5 秒钟。出现错误时，电池上的警告符号将亮起。请参阅 **蓄电池** 在第 803 页上。



LED 灯	电池状态
所有指示灯亮起	充满电 (75-100%)
LED 1、LED 2、LED 3 亮起	电池充电至 50%-75%
LED 1、LED 2 亮起	电池充电至 25%-50%
LED 1 亮起	电池充电至 0%-25%。
LED 1 闪烁	电池电量耗尽。给电池充电。

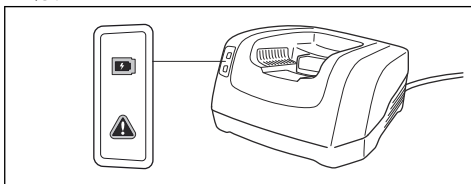
为电池充电

在首次使用之前先要给电池充电。电池在交付给客户时仅充有 30% 的电量。

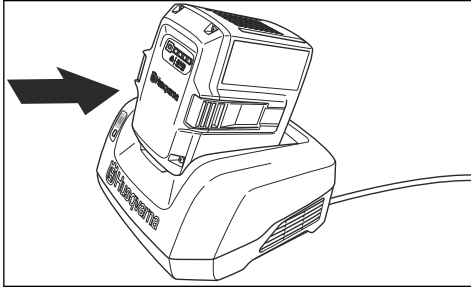
注意：将电池充电器连接至具有标牌上规定电压和频率的电源。

如果电池温度高于 50°C，则电池不会充电。电池充电器会降低电池的温度，然后再开始充电。

- 将电池充电器电源线的一端连接到电池充电器的插座。
- 将电池充电器电源线的另一端连接到具有接地连接的电源插座。电池充电器上的 LED 灯会闪烁一下绿灯。



- 将电池放入充电器中。当电池正确连接至电池充电器时，充电器上的绿色指示灯会亮起。



- 当电池上的所有 LED 灯亮起时，说明电池已充满电。给电池充电最长 24 小时。
- 要将电池充电器与电源插座断开，请拔下插头，不可拉拽电源线。
- 从电池充电器中取出电池。

电池充电状态

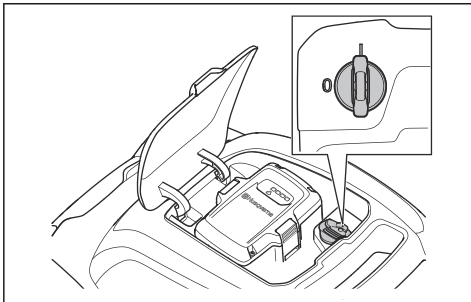
Husqvarna 锂离子电池可以在所有电量水平下充电或使用。电池不会受损。充满电的电池即使留在充电器中也不会损失电量。

指示灯	充电状态
LED 1 闪烁	0%-25%
LED 1 亮起, LED 2 闪烁	25%-50%
LED 1、LED 2 亮起, LED 3 闪烁	50%-75%
LED 1、LED 2、LED 3 亮起, LED 4 闪烁	75%-100%
LED 1、LED 2、LED 3、LED 4 亮起	充满电

操作 LC 141iV 和 LC 141i

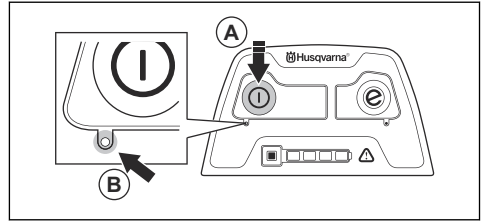
启动产品

- 将充满电的电池放入电池盒中。
- 将安全钥匙转至 1。

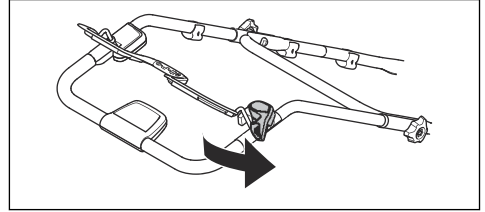


- 站在本产品后面。

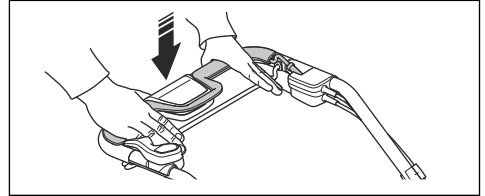
- 按下控制板上的开/关按钮 (A)，绿色 LED (B) 亮起。



- 松开启动禁止器。

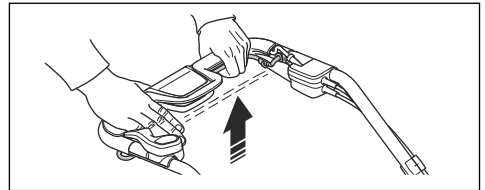


- 朝手柄杆方向推动电机制动手柄。

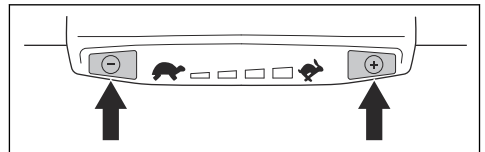


使用车轮上的驱动装置

- 型号 LC 141iV。朝手柄杆方向拉动驱动杆，启动驱动装置。



- 在控制板上按 + 和 - 进行设置。驱动速度有 4 档可调。

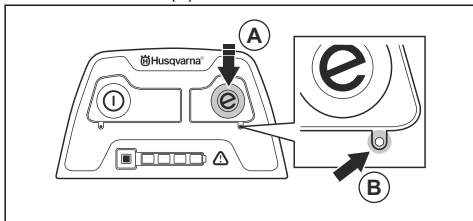


- 松开驱动杆以脱离驱动装置，例如，当您靠近障碍物时。

使用 SavE 功能

本产品具有节电功能 (SavE)，可获得更长的运行时间。

1. 按下 SavE 按钮 (A) 可启动该功能。绿色 LED 亮起。



2. 再次按下 SavE 按钮可关闭该功能。绿色 LED (B) 会熄灭。

如果地面状况要求更高的输出，SavE 功能会自动停止。在地面状况允许时，SavE 功能会自动启动。

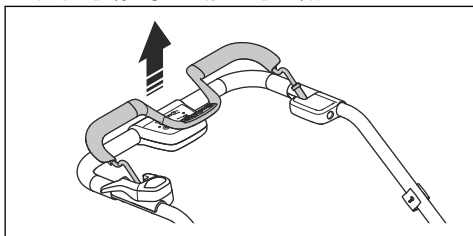
高负载功能

当本产品切割长草或湿草时，电机机会自动增加转速。当不需要高负载时，电机恢复标准模式。

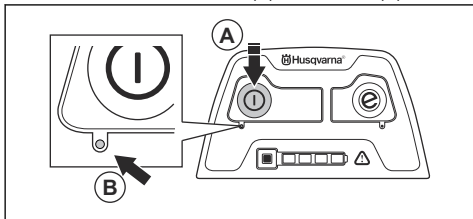
关停产品

如果您在 10 分钟内没有任何操作，本产品将自动停止。在使本产品离开视线以外之前，请始终将安全钥匙转至 0。

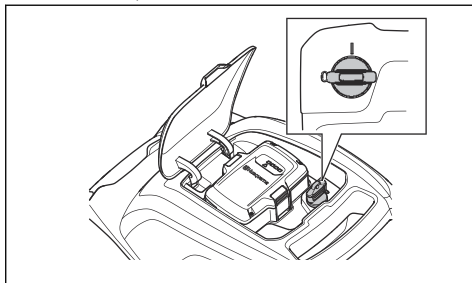
1. 松开电机制动手柄以停止电机运转。



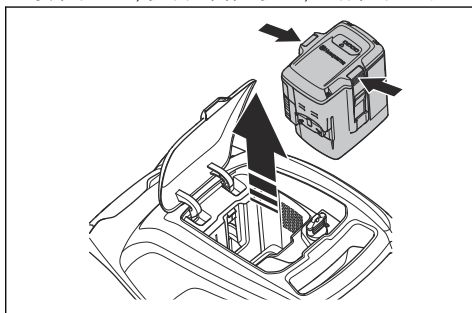
2. 按下控制板上的开/关按钮 (A)，绿色 LED (B) 熄灭。



3. 打开电池盖，将安全钥匙转至 0。



4. 要取下电池，按下两个释放按钮，然后取出电池。



5. 如果电池电量不足，请为电池充电。欲了解更多信息，请参阅 [为电池充电在第 798 页上](#)。

操作 LC 141C

选择获得批准的电缆 (LC 141C)

注意： 对于英国市场，仅使用本产品随附的 16M 加长电缆。对于所有其他市场，请参阅下面的信息。

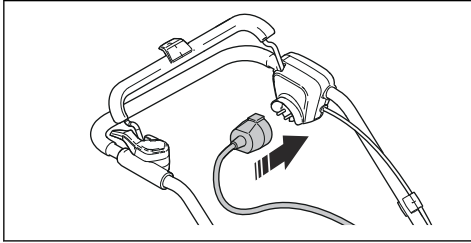
如果使用延长电缆，这些电缆必须符合下表中的最小横截面积。

电压	电缆长度	横截面积
220-240V/ 50Hz	最长 20 m	1.5 mm ²
220-240V/ 50Hz	20-50 m	2.5 mm ²

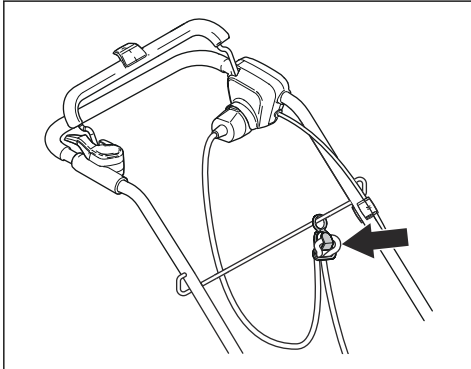
- 电源电缆和延长电缆可从获得批准的 Husqvarna 户外产品当地保养厂处获得。
- 仅使用专门设计用于室外使用且符合以下规格之一的延长电缆：普通橡胶 (60245 IEC 53)、普通 PVC (60227 IEC 53) 或普通 PCP (60245 IEC 57)
- 如果电缆已损坏，则必须由制造商、保养厂或类似有资格的人员进行更换，以防造成危险。

启动产品

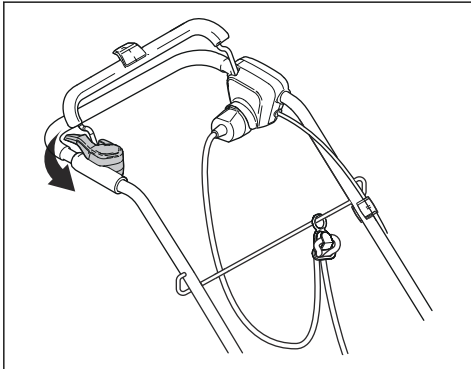
1. 将电源线连接至手柄下面的插座中。



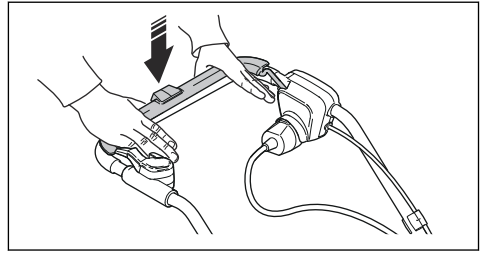
2. 将电源线置于电源线夹中。请参阅 *使用电源线夹 (型号 LC 141C)* 在第 793 页上。



3. 站在本产品后面。
4. 松开启动禁止器。

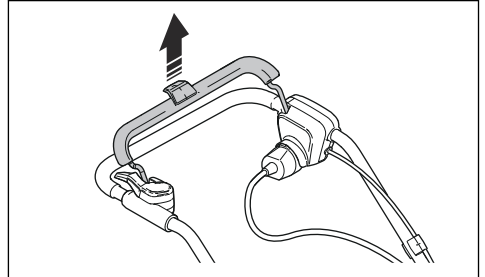


5. 朝手柄杆方向推动电机制动手柄。

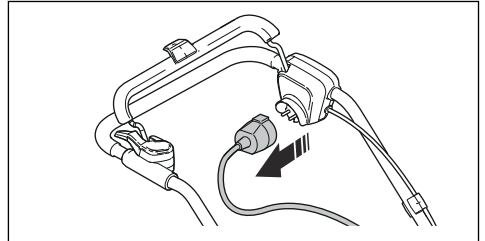


关停产品

1. 松开电机制动手柄以停止电机运转。



2. 先将电源线从电源处断开，然后从产品上断开。



小心： 将插头直接拔出。切勿拽拉电源线。

为获得良好的作业效果

- 务必使用锐利的刀片。钝刀片会产生不规则的结果，且草的切割表面会变黄。此外，锐利的刀片比钝刀片更加节能。
- 修剪高度不得超过草长的 $\frac{1}{3}$ 。从较高的修剪高度开始切割。检查结果，将修剪高度降低到合适的水平。如果草非常长，请缓慢前进，必要时切割 2 次。
- 每次的修剪方向不应相同，以防止草坪上出现条纹。

维护

引言



警告： 进行维护之前，您必须阅读并理解安全须知章节。

要对本产品执行任何保养和维修工作，都需要经过特殊培训。我们承诺提供专业的维修和保养。如果您的经销商不是保养代理商，请联系该经销商以获取离您最近的保养代理商的信息。

维修时间表

维护间隔在产品每天使用的情况下计算得出。如果产品并非每天使用，维护间隔会有所不同。

对于带有 * 标记的维护作业，请参阅 *产品上的安全装置* 在第 792 页上。

LC 141IV、LC 141i 和 LC 141C	每次使用	每月	每个季节
执行一般性检查。	X		
清洁本产品。	X		
检查启动禁止器*。	X		
确保本产品上的安全装置无故障*。	X		
检查切割设备。	X		
检查切割防护盖*。	X		
检查电机制动手柄*。	X		

仅限 LC 141IV 和 LC 141i	每次使用	每月	每个季节
确保开/关按钮工作正常且无故障。	X		
检查电池是否损坏。	X		
检查电池充电量。	X		
确保电池上的释放按钮工作正常，且电池锁入本产品中。	X		
检查电池充电器是否损坏，确保其工作正常。		X	
检查电池和本产品之间的连接。还要检查电池与电池充电器之间的连接。			X

进行一般性检查

- 确保产品上的螺母和螺钉都已拧紧。
- 确保产品上的电缆不会损坏。

清洁产品

- 用清洁的干布擦净塑料部件。
- 请勿用水清洁本产品。水会进入电池或电机，并导致短路或损坏本产品。
- 不要使用高压清洗机清洁产品。
- 不要直接用水冲洗马达。
- 用刷子清除树叶、草和污垢。

清洁电池和电池充电器



小心： 切勿用水清洁电池或充电器。

- 在将电池放入电池充电器之前，确保电池和电池充电器清洁、干燥。
- 请使用压缩空气或软干布清洁电池端子。
- 请使用软干布清洁电池和电池充电器的表面。

润滑切割设备



警告：对于型号 LC 141iV 和 LC 141i：为防止意外启动，将安全钥匙转至 0，拆下电池，然后等待至少 5 秒钟。

适用于型号 LC 141C：为防止意外启动，请断开电源线。



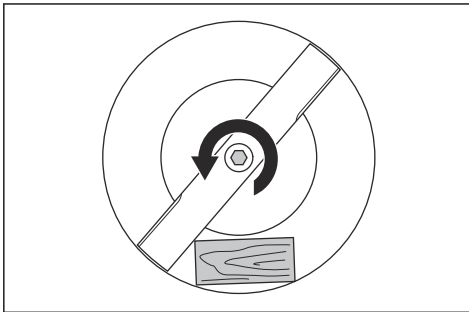
警告：维护切割设备时，请戴上保护手套。刀片非常锋利，很容易割到手。

1. 检查切割设备是否有损坏或裂痕。务必更换损坏的切割设备。
2. 检查刀片，查看是否损坏或变钝。

注意：每次磨利刀片后，必须对刀片进行平衡调整。让维修中心磨利、更换和平衡刀片。如果您撞到障碍物并导致本产品停止运行，请更换损坏的刀片。让维修中心评估刀片可以磨利还是必须更换。

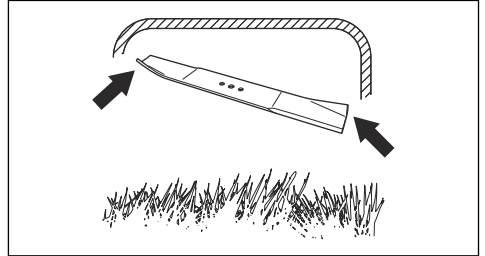
卸下和更换刀片

1. 使用木块卡住刀片。

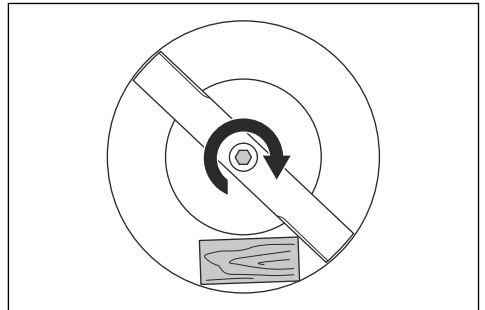


2. 拆下刀片螺栓。
3. 拆下刀片。

4. 检查刀片支撑和刀片螺栓，查看是否有损坏。
5. 检查电机轴，确保其未弯曲。
6. 安装新刀片时，请将刀片的倾斜端指向切割防护盖的方向。



7. 确保刀片与电机轴中心对准。
8. 使用木块卡住刀片。安装弹簧垫片，并且用 20 Nm 扭矩拧紧螺栓和垫片。



9. 用手拉住刀片旋转，确保刀片转动自如。



警告：请佩戴耐磨手套。刀片非常锋利，很容易割到手。

10. 启动本产品以测试刀片。如果刀片未正确安装，则本产品中存在振动，或切割结果令人不满意。

故障排除

蓄电池

电池上的 LED	原因	解决方案
绿色指示灯闪烁。	电池电压过低。	给电池充电。请参阅为电池充电在第 798 页上。

电池上的 LED	原因	解决方案
错误指示灯闪烁。	电池电量不足。	给电池充电。请参阅为电池充电在第 798 页上。
	工作环境温度过高或过低。	在 -10°C 至 40°C 之间的温度下使用电池。
	过压。	确保电源电压与产品标牌上所示的电压一致。 从电池充电器中取出电池。等待 5 秒钟，然后再次尝试为电池充电。如果问题仍然存在，请联系经授权的保养厂。
错误指示灯亮起。	电池的电压差过大 (1V)。	请联系获得批准的保养厂。

电池充电器

电池充电器上的 LED	原因	解决方案
错误指示灯闪烁。	工作环境温度过高或过低。	在 5°C 至 40°C 之间的温度下使用电池充电器。
错误指示灯亮起。		请联系获得批准的保养厂。

控制板

对于本节未提及的问题，请与您的保养厂联系。

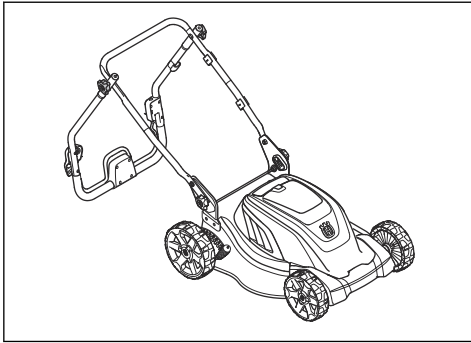
键盘	可能的故障	可行操作
错误指示灯闪烁	电机过载	增加修剪高度。请参阅 设置修剪高度在第 798 页上。
	电机速度下降过多，电机停止	
	电机控制过热	停止电机，等待直至其冷却。
	刀片卡住	为防止意外启动，将安全钥匙转至 0，拆下电池，然后等待至少 5 秒钟。确保刀片转动自如。如果问题仍然存在，请联系经授权的保养厂。
	电池错误或电池无信号	将电池正确装入本产品中，并检查电池接头。如果电池上的错误 LED 闪烁，请参阅 蓄电池在第 803 页上。
本产品停止运行	电池电量不足	给电池充电。请参阅为电池充电在第 798 页上。
	电池接头故障	检查电池接头

运输、存放和废弃处理

将产品设置在运输位置

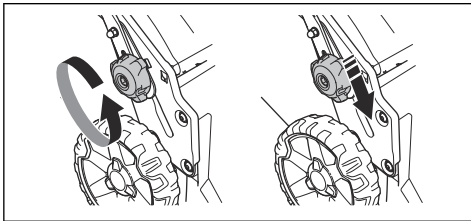
1. 拆下集草袋（如有安装）。

2. 松开手柄上的旋钮，向下折叠手柄。

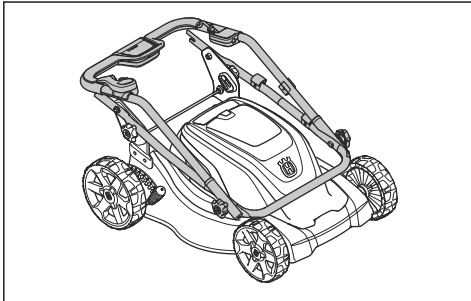


3. 松开下部旋钮。

4. 将旋转变至本产品的左侧和右侧凹槽的下端。



5. 向前折叠手柄。



运输

- 危险品法律要求适用于本产品所含的锂离子电池。
- 对于商业运输，必须遵守包装和标签上的特殊要求。

- 当您准备运输产品时，请确保遵守有关危险品的法规。当地法规可能适用。
- 运输之前务必取下电池。
- 将胶带贴在电池接头上，并确保在运输过程中电池无法移动。
- 运输期间请固定好本产品。

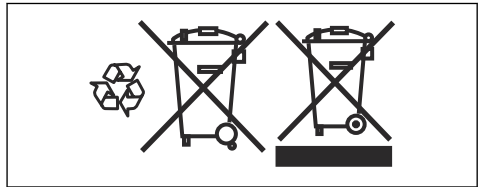
存放

- 进行存放之前务必取下电池。
- 为了防止意外事故，请确保在存放期间电池未连接到本产品。
- 将电池充电器存放于密闭干燥的位置。
- 将电池和电池充电器存放于干燥、无湿气或结霜的位置。
- 在存储期间从电池充电器断开电池的连接。
- 不要将电池存放在容易积聚静电的位置。严禁将电池存放在金属盒中。
- 电池存放温度应介于 5°C 至 25°C 之间，并避免阳光直射。
- 电池充电器存放温度应介于 5°C 至 45°C 之间，并避免阳光直射。
- 确保电池在长期存放之前充电至 30% - 50% 电量。
- 将本产品、电池和电池充电器存放在上锁区域，防止儿童和未经批准的人取用。
- 在长期存储本产品之前，应清洁本产品并进行全面的保养。

废弃处理

本产品或其包装上的符号指示不能将本产品当作生活垃圾进行处理。必须将其送交相应的回收站以回收利用电气和电子设备。

对本产品进行不当的废物管理可能会对环境和人身造成负面影响，请确保正确处理本产品，避免发生此类问题。有关回收本产品的详细信息，请与当地相关管理部门、生活垃圾服务机构或销售本产品的商店联系。



技术参数

技术资料 LC 141iV、LC 141i

	LC 141iV	LC 141i
割草电机		
电机类型	BLDC (无刷型) 36V	BLDC (无刷型) 36V
电机转速 - 节能, rpm	2700	2700
电机转速 - 标称, rpm	3100	3100

	LC 141iV	LC 141i
电机转速 - 高负载, rpm	3700	3700
电机输出 - 最大, kW	0.8	0.8
电机输出 - 标称, kW	0.55	0.55
驱动马达		
电机输出 - 标称, kW	0.25	不适用
自行移动速度, km/h	3.0-4.5	不适用
速度调节杆	4	不适用
重量		
不含电池时的重量, kg	21.5	18.6
电池 ¹⁹⁷		
电池类型	Husqvarna 电池系列	Husqvarna 电池系列
电池工作时间		
电池工作时间, 分钟, (空运转) 启用 SavE 模式, 采用一节 Husqvarna 5.2 Ah 电池 (BLi200)。	77	77
电池工作时间, 分钟, (空运转) 启用标准模式, 采用一节 Husqvarna 5.2 Ah 电池 (BLi200)。	45	45
噪音释放 ¹⁹⁸		
声功率级 (测量值), dB (A)	88	88
声功率级 (保证值, L _{WA}), dB (A)	89	89
声压级 ¹⁹⁹		
操作员耳旁的声压级, dB (A)	83	83
振动水平 ²⁰⁰		
手柄, m/s ²	2.0	2.0
修剪		
修剪高度, mm	25-70	25-70
修剪宽度, cm	41	41
刀片, 货号	Collect - 5011716-01	Collect - 5011716-01
集草袋容量, 升	50	50

认可电池	品牌	类型	电池容量, Ah	电压, V	重量, lb/kg
BLi10	Husqvarna	锂离子电池	2.0	36	1.8/0.8

¹⁹⁷ 为获得最佳效果和性能, 推荐使用 Husqvarna 电池 BLi200。

¹⁹⁸ 环境噪音排放以声功率 (L_{WA}) 量测, 符合 EC 指导文件 2000/14/EC 的要求。

¹⁹⁹ 噪音音压级的上报数据中具有一个 1.2 dB(A) 的典型统计离差 (标准偏差)。

²⁰⁰ 等效振动水平的报告数据中具有 0.2 m/s² 的典型统计离差 (标准偏差)。

认可电池	品牌	类型	电池容量, Ah	电压, V	重量, lb/kg
BLi100	Husqvarna	锂离子电池	2.6	36	1.9/0.8
BLi20	Husqvarna	锂离子电池	4.0	36	2.7/1.2
BLi200	Husqvarna	锂离子电池	5.2	36	2.8/1.3
BLi300	Husqvarna	锂离子电池	9.4	36	4.1/1.9

指定 电池允许使用的充电器	品牌	输入电压, V	频率, Hz	功率 (W)
QC80	Husqvarna	100-240	50-60	80
QC80F	Husqvarna	12	0	80
QC250	Husqvarna	220-240	50	250
QC330	Husqvarna	100-240	50-60	330
QC500	Husqvarna	100-240	50-60	500

技术资料 LC 141C

LC 141C	
电机	
电机类型	交流系列电机
电机转速 - 标称, rpm	3200
功率	1800 W
电源	有线电源
电源线 (仅适用于英国市场)	
电缆类型	16M 加长电缆
重量 (kg)	1.6
重量	
重量 (kg)	20.4
噪音排放²⁰¹	
声功率级 (测量值), dB (A)	93
声功率级 (保证值, L _{WA}), dB (A)	95
声级²⁰²	
操作人员耳旁的声压级, dB (A)	85
振动水平²⁰³	
手柄, m/s ²	2.0

²⁰¹ 环境噪音排放以声功率 (L_{WA}) 量测, 符合 EC 指导文件 2000/14/EC 的要求。

²⁰² 噪音音压级的上报数据中具有一个 1.4 dB(A) 的典型统计离差 (标准偏差)。

²⁰³ 等效振动水平的报告数据中具有 0.2 m/s² 的典型统计离差 (标准偏差)。

	LC 141C
修剪	
修剪高度, mm	25-70
修剪宽度, cm	41
刀片, 货号	Collect 5011716-01
集草袋容量, 升	50

欧盟一致性声明

欧盟一致性声明

Husqvarna AB, SE-561 82 Huskvarna, Sweden, 电话：
+46-36-146500，特此声明，序列号从 2018XXXXXXXX
起的**草坪机 Husqvarna LC 141iV 和 LC 141i** 以及序列号
从 2015XXXXXXXX 起的 **Husqvarna LC 141C** 符合理事会
指令的要求：

- 2011 年 6 月 8 日“关于限制使用某些有害物质”的指令
2011/65/EU
- 2006 年 5 月 17 日“关于机械”的指令 **2006/42/EC**。
- 2014 年 2 月 26 日“关于电磁兼容性”的指令
2014/30/EU
- 2000 年 5 月 8 日“关于环境噪音释放”的指令
2000/14/EC

关于噪音排放信息，请参阅“技术资料”一章。

Husqvarna LC 141iV 和 LC 141i 的认证遵循的标准如
下：**IEC 60335-2-77:2002, IEC 60335-1:2010+A1:2013,**
EN 55014-1:2017, EN 55014-2:2015, EN
61000-3-2:2014, EN 61000-3-3:2013, EN 62233:2008

Husqvarna LC 141C 的认证遵循的标准如下：**EN**
60335-1:2012+A11:2014, EN 60335-2-77:2010, EN
62233:2008, EN 55014-1:2017+A11, EN 55014-2:2015,
EN 61000-3-2:2019, EN 61000-3-11:2019

认证机构：**0404, RISE SMP Svensk Maskinprovning**
AB, Box 7035, SE-750 07 Uppsala 已按照 2000/14/EC
指令附录 VI 执行了合规性评估。

Huskvarna, 2020-10-13



Claes Losdal, 开发经理/园林产品 (Husqvarna AB 授权
代表，负责技术文档编制事务。)



www.husqvarna.com

Original instructions
Оригинални инструкции
Původní pokyny
Originale instruktioner
Originalanweisungen
Αρχικές οδηγίες
Instrucciones originales
Originalaajuhend
Alkuperäiset ohjeet
Instructions d'origine
Originalne upute
Eredeti útmutatás
Istruzioni originali
取扱説明書原本
Originalios instrukcijos

Lietošanas pamācība
Originale instructies
Originale instruksjoner
Oryginalne instrukcje
Instruções originais
Instruçiuni inițiale
Оригинальные инструкции
Põvodné pokyny
Izvirna navodila
Originalna uputstva
Bruksanvisning i original
Orijinal talimatlar
Оригiнальнi iнструкцiї
原始说明

1141021-38



2021-03-09

Free Manuals Download Website

<http://myh66.com>

<http://usermanuals.us>

<http://www.somanuals.com>

<http://www.4manuals.cc>

<http://www.manual-lib.com>

<http://www.404manual.com>

<http://www.luxmanual.com>

<http://aubethermostatmanual.com>

Golf course search by state

<http://golfingnear.com>

Email search by domain

<http://emailbydomain.com>

Auto manuals search

<http://auto.somanuals.com>

TV manuals search

<http://tv.somanuals.com>