

Repair Parts Manual
Manuel De Pièces De Rechange
YTA1946 / 96048005500

Please read the operator's manual carefully and make sure
you understand the instructions before using the machine.

Lisez très attentivement et soyez certain de comprendre
ces instructions avant d'utiliser cette machine.



English/French

586 26 35-49



HOW TO USE THIS MANUAL

This manual is designed to provide the customer with a means to identify the parts on his/her tractor when ordering repair parts. The illustrations may or may not represent the actual assemblies; therefore, it is not recommended to use this manual as a guide to assemble or disassemble the tractor. Some hardware and parts are drawn larger in order to more readily identify them.

Each tractor has its own model number.

The model number for your tractor can be found on the fender under the seat.

When ordering parts, always give the following information:

- Product - "TRACTOR"
- MODEL NUMBER - "YTA1946" (96048005500)"
- Part Number
- Part Description

TABLE OF CONTENTS

SCHEMATIC	3
ELECTRICAL.....	4-5
CHASSIS	6-7
DRIVE.....	8-9
ENGINE.....	10-11
STEERING	12-13
MOWER DECK.....	14-15
MOWER LIFT.....	16
SEAT	17
DECALS.....	18

COMO UTILIZAR ESTE MANUAL

Este manual está diseñado para brindarle al comprador un medio para identificar las piezas del tractor para cuando necesite hacer el pedido de un repuesto. Las ilustraciones pueden o no representar los ensambles reales; por lo tanto, no se recomienda utilizar este manual como una guía para ensamblar o desarmar el tractor. Algunos accesorios y piezas están dibujados en tamaños más grandes para identificarlos con mayor facilidad.

Cada tractor tiene su propio número de modelo.

El número de modelo del tractor se encuentra en el guardabarros debajo del asiento.

Cuando haga el pedido de una pieza, siempre brinde la siguiente información:

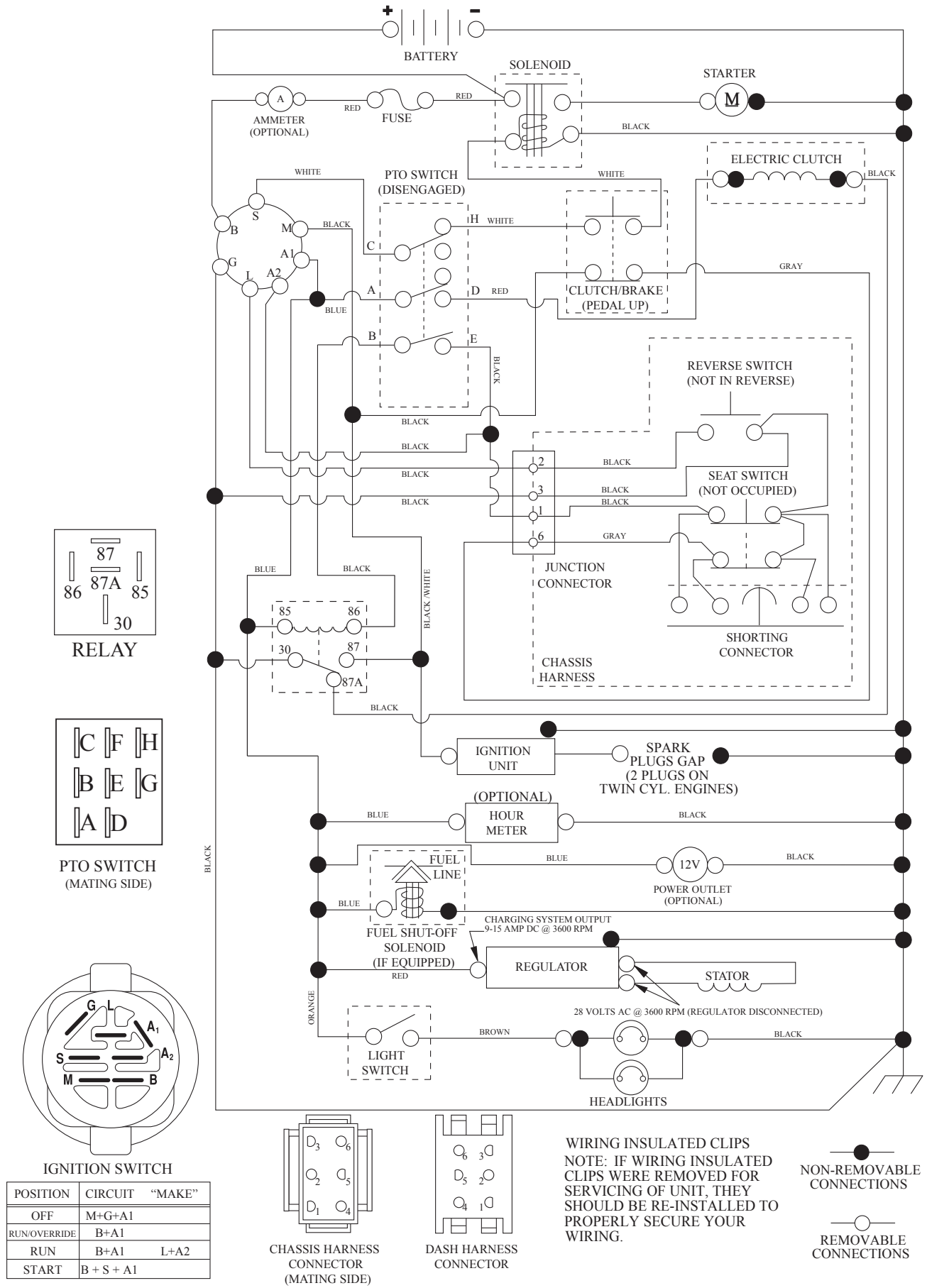
- Producto: "TRACTOR"
- NÚMERO DE MODELO: "YTA1946" (96048005500)"
- Número de pieza
- Descripción de la pieza

ÍNDICE

DIAGRAMA.....	19
DIAGRAMA ELÉCTRICO	20-21
CHASIS.....	22-23
TRANSMISIÓN	24-25
MOTOR.....	26-27
DIRECCIÓN	28-29
PLATAFORMA DE LA CORTADORA DE CÉSPED.....	30-31
ELEVACIÓN DE LA CORTADORA DE CÉSPED.....	32
ASIENTO.....	33
CALCOMANÍAS.....	34

TRACTOR - MODEL NO. YTA1946 (96048005500), PRODUCT NO. 960 48 00-55 SCHEMATIC

SCH13

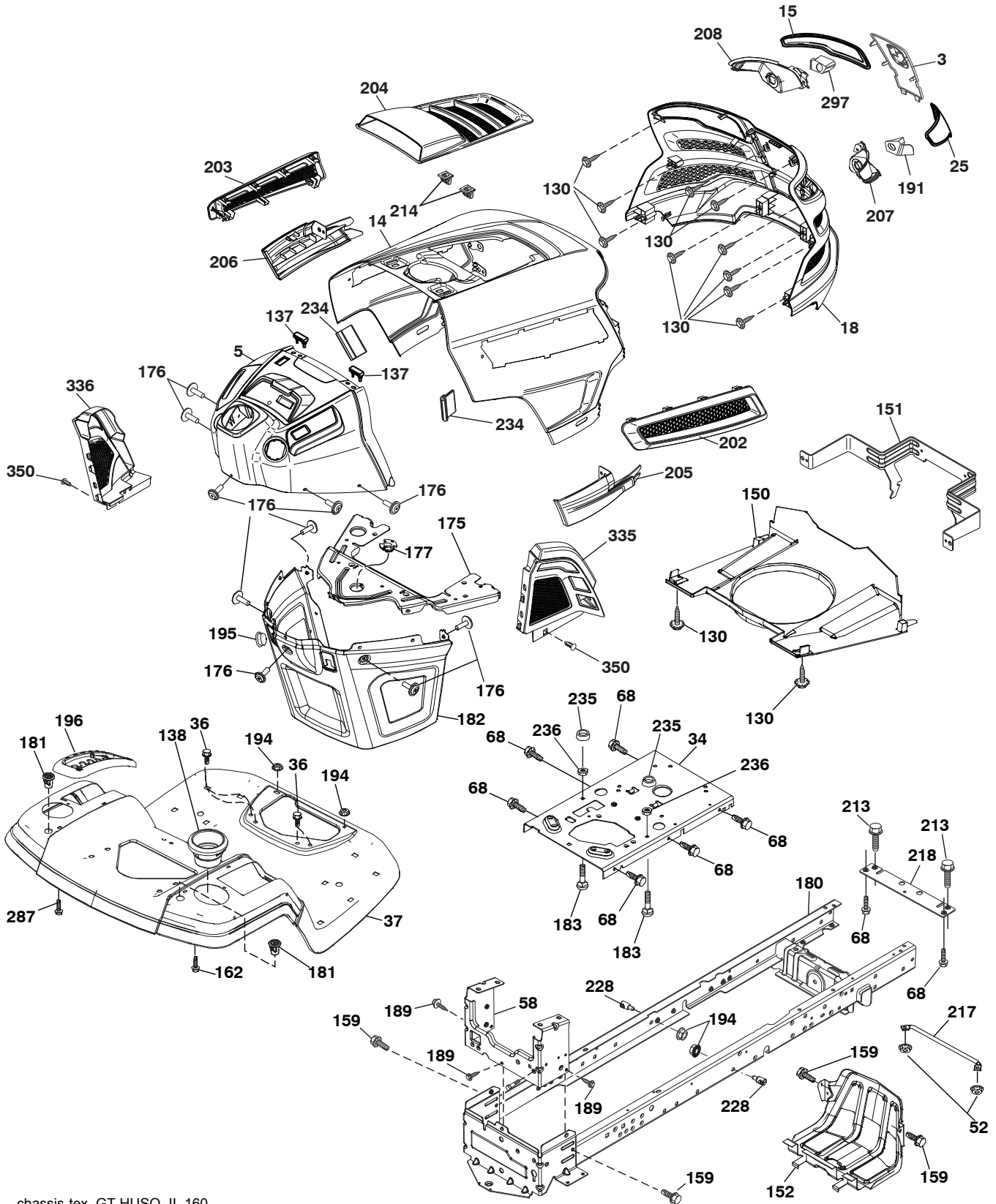


**TRACTOR - MODEL NO. YTA1946 (96048005500), PRODUCT NO. 960 48 00-55
ELECTRICAL**

KEY NO.	PART NO.	DESCRIPTION
1	532 16 34-65	Battery
2	874 76 04-12	Bolt Hex Head 1/4-20 x 3/4
8	532 19 32-28	Box Battery
16	532 17 61-38	Switch Interlock Push-In
21	532 40 02-52	Harness Socket Light w/4152J
22	532 00 41-52	Bulb Light
25	585 55 55-01	Cable Starter
26	532 17 51-58	Fuse
27	873 51 04-00	Nut Keps Hex 1/4-20 unc
28	532 42 16-86	Cable, Ground
29	532 40 15-45	Switch, Seat
30	532 19 33-50	Switch, Ign
33	532 41 19-35	Key/Chain
34	532 11 07-12	Switch Light/Reset
40	581 02 28-01	Harness Ign. Dash
41	817 72 04-08	Screw Thd Cut 1/4-20 x 1/2
42	532 13 15-63	Cover, Terminal
43	532 19 25-07	Solenoid
46	532 40 17-63	Gauge Serviceminder Hrmtr
50	532 17 46-51	Switch PTO 8 Terminal
55	817 06 05-12	Screw Thdrol 5/16-18 x 3/4 TYTT
71	532 44 15-44	Harness Ign. Chassis
79	532 17 52-42	Socket Asm. Bulb
81	532 40 96-15	Relay Harness Sealed
90	532 43 53-95	Cover Terminal
102	581 02 34-01	Harness Pigtail
105	532 40 75-68	Switch Reverse

NOTE: All component dimensions given in U.S. inches
1 inch = 25.4 mm

**TRACTOR - MODEL NO. YTA1946 (96048005500), PRODUCT NO. 960 48 00-55
CHASSIS**



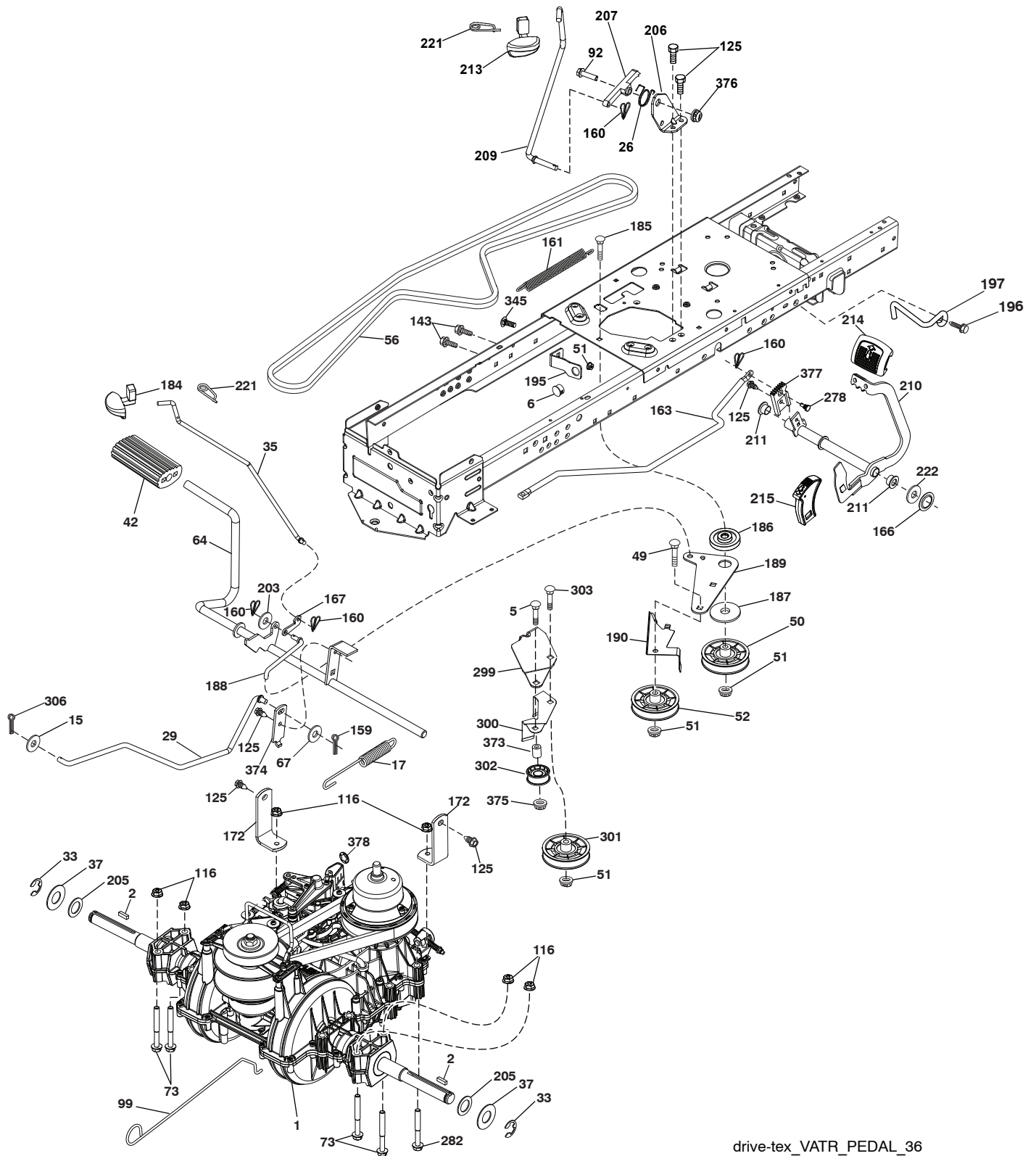
chassis-tex_GT HUSQ_II_160

**TRACTOR - MODEL NO. YTA1946 (96048005500), PRODUCT NO. 960 48 00-55
CHASSIS**

KEY NO.	PART NO.	DESCRIPTION	KEY NO.	PART NO.	DESCRIPTION
3	532 44 44-81	Applique Sub Asm.	191	532 43 74-55	Insert Reflective RH
5	581 46 69-03	Dash	194	873 90 05-00	Nut Lock Hex Flange 5/16-18
14	532 44 11-77	Hood	195	532 40 41-37	Plug Hole Dash Lower
15	532 43 97-33	Lens LH	196	532 43 96-47	Console Asm. Deck Lift
18	532 44 06-53	Grille	202	532 43 97-28	Vent Side Hood RH
25	532 44 33-85	Lens RH	203	532 43 97-27	Vent Side Hood LH
34	580 91 08-01	Plate Engine	204	532 43 57-14	Vent Top Hood
36	817 06 05-12	Screw 5/16-18 x 3/4	205	532 43 97-30	Trim Hood Side RH
37	532 44 12-06	Fender	206	532 43 97-29	Trim Hood Side LH
52	873 68 05-00	Nut Lock 5/16-18	207	532 43 97-34	Bezel RH
58	532 41 22-80	Drawbar Upper	208	532 43 97-35	Bezel LH
68	817 49 05-08	Screw Thdrol 5/16-18 x 1/2	213	874 76 05-12	Bolt 5/16-18 x 3/4
130	532 41 63-58	Screw #10 x 0.750	214	532 19 91-45	Clip Retainer Tinner
137	532 40 75-90	Bumper Dash	217	532 40 91-67	Rod Pivot
138	532 43 97-47	Cupholder	218	532 19 63-95	X-Piece Hood Stop
150	532 43 99-21	Air Duct	228	532 19 51-61	Stud Fastner
151	532 43 66-70	Bracket Pivot	234	532 40 47-42	Bumper Hood
152	532 43 98-70	Shield Browning	235	532 40 61-29	Spacer Fender
159	817 00 06-12	Screw Hexwsh Thrd 3/8-16 x 3/4	236	873 93 05-00	Nut Lock 5/16-18 unc
162	532 14 24-32	Screw	287	817 60 04-06	Screw 1/4-20 x 3/8
175	532 19 63-04	Crossmember	297	532 43 74-56	Insert Reflective LH
176	532 40 07-76	Screw 10-24 x 5/8	335	532 44 82-04	Cover RH
177	532 19 52-27	Bushing Steering	336	532 44 53-09	Cover LH
180	532 41 50-63	Chassis	350	532 44 51-43	Clip X-mas Tree
181	532 43 97-46	Bushing	- -	532 40 09-44	Bumper
182	532 40 68-59	Dash Lower			
183	874 52 05-20	Bolt 5/16-18 x 1-1/4			
189	817 00 05-12	Screw 5/16-18 x 3/4			

NOTE: All component dimensions given in U.S. inches
1 inch = 25.4 mm

TRACTOR - MODEL NO. YTA1946 (96048005500), PRODUCT NO. 960 48 00-55
DRIVE



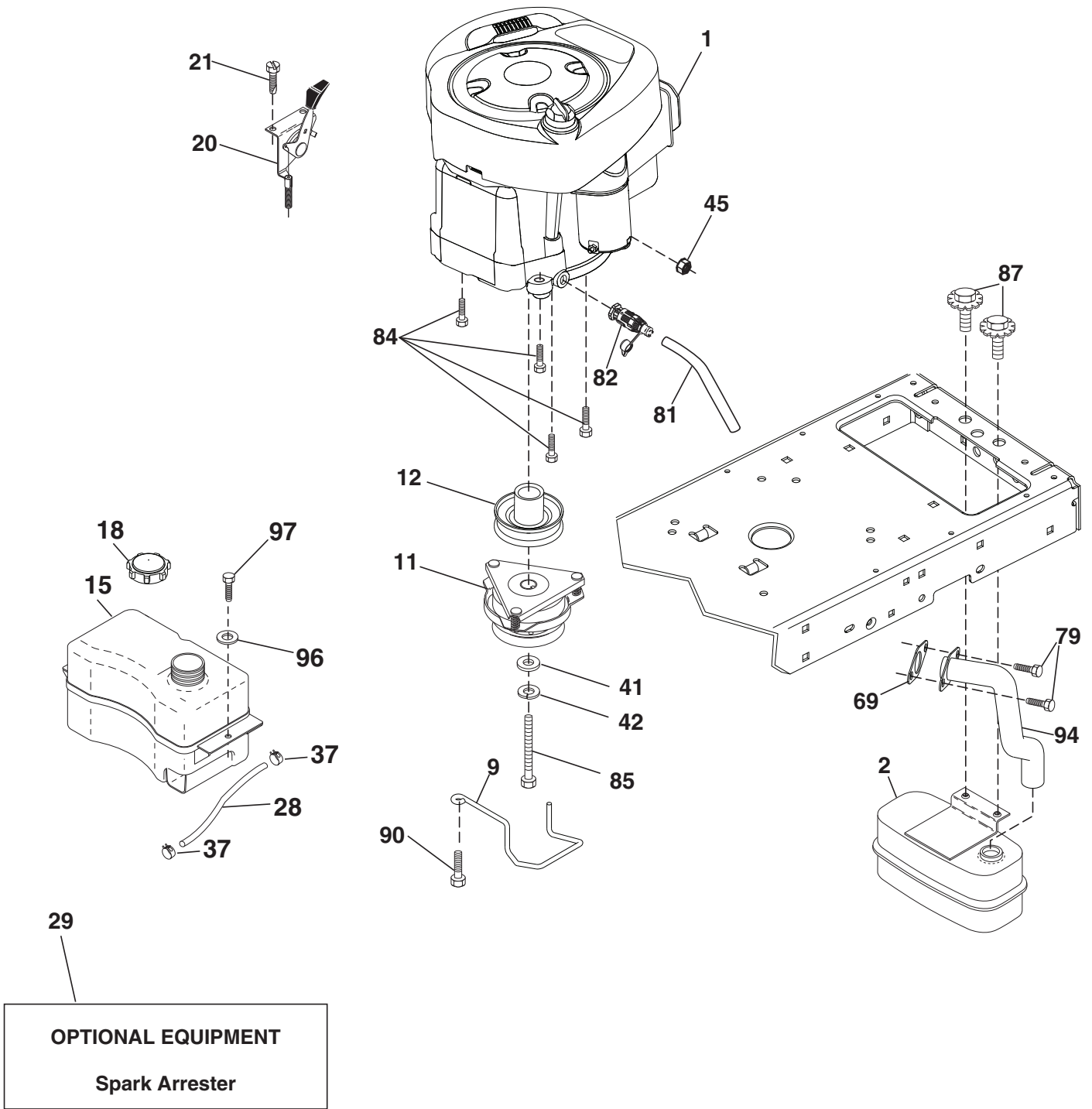
drive-tex_VATR_PEDAL_36

TRACTOR - MODEL NO. YTA1946 (96048005500), PRODUCT NO. 960 48 00-55 DRIVE

KEY NO.	PART NO.	DESCRIPTION	KEY NO.	PART NO.	DESCRIPTION
1	---	Transmission, Variator SD Pdeal (584973901) (Order parts from transaxle manufacturer.)	188	532 19 43-23	Link Clutch Ground Drive
2	532 12 35-83	Key Square	189	532 19 43-17	Bellcrank Groundrive Nstg/Nstl
5	874 76 06-36	Bolt Hex HS 3/8-16 unc	190	532 19 43-18	Keeper Bellcrank Drive Ground
6	532 12 40-28	Bushing Snap	195	581 50 46-01	Brake Bracket
15	819 13 13-16	Washer 13/32 x 13/16 x 16 Ga.	196	817 00 06-16	Screw 3/8-16 x 1
17	584 95 40-01	Spring Brake	197	532 19 58-04	Link Clutch Anti-Rotation
26	532 19 96-79	Spring Return Cruise	203	819 11 11-16	Washer 11/32 x 11/16 x 16 Ga.
29	584 82 31-01	Rod Brake	205	532 12 17-48	Washer 25/32 x 1-5/8 x 16 Ga.
33	812 00 00-01	E-Ring	206	532 44 85-96	Bracket Mount Latch Cruise
35	583 86 45-01	Rod Brake Parking	207	532 44 82-64	Latch Control Cruise
37	532 18 89-67	Washer Harden .793 x 1.637 x 060	209	532 19 95-92	Rod Control Cruise
42	532 12 48-72	Cover Pedal Blk Round	210	532 44 82-70	Weldment Pedal
49	872 11 06-14	Bolt Rdhd 3/8-16unc x1-3/4 Gr.5	211	532 12 01-83	Bearing Nylon
50	532 19 43-27	Idler.Flat	213	532 40 31-19	Knob Control Cruise
51	873 90 06-00	Nut Hex Flangelock 3/8-16	214	532 42 12-63	Pedal Forward Pad
52	532 19 43-26	Idler V-Groove Offset	215	532 44 82-54	Cap Pedal Reverse
56	532 19 72-53	Belt Drive	221	532 40 31-87	Retainer Spring Clip Handle
64	532 44 83-53	Shaft Asm. Pedal Brake	222	879 21 20-10	Washer 21/32 x 1-1/4 10 Ga.
67	819 13 13-12	Washer 13/32 x 13/16 x 12 Ga.	278	580 36 91-01	Bolt Cruise Variator
73	874 49 05-44	Bolt Hex Flghd 5/16-18 Gr. 5	282	874 49 05-48	Screw Thdrol 5/16-18 x 3
92	874 76 05-20	Bolt	299	532 41 56-83	Bracket Mount Idler
99	532 43 59-35	Rod Bypass	300	532 41 56-81	Keeper Idler Rear
116	873 90 05-00	Nut Lock Hex Flange 5/16-18 unc	301	532 41 56-80	Pulley Idler V-Groove
125	817 00 05-12	Screw 5/16-18 x 3/4 Smgml Tap/Bl	302	581 42 05-01	Pulley Idler Flat 2.0 Od
143	817 49 05-08	Screw Thdrol 5/16-18 x 1/2 Tytt	303	872 11 06-18	Bolt Rdhd Sgnk 3/8-16 x 2-1/4
159	876 02 04-12	Pin Cotter 1/8 x 3/4	306	876 02 04-16	Cotter Pin
160	532 16 94-84	Retainer Clip(M) Dia. 290	345	872 11 06-06	Bolt Rdhd Sgnk 3/8-16 x 1 Gr. 5
161	532 10 57-09	Spring Return Clutch 6.75	373	581 46 18-01	Spacer Idler
163	583 97 13-01	Rod Control Pedal	374	581 47 52-01	Bracket Brake Arm
166	532 42 91-64	Nut Push .625	375	873 68 06-00	Nut Crownlock 3/8-16 unc
167	532 40 52-57	Latch Brake Parking	376	532 42 65-89	Nut Flange
172	583 97 42-01	Strap Torque LH/RH	377	584 30 34-01	Gear Sector
184	532 44 14-55	Handle Parking Brake	378	584 28 77-01	Nut Push 8 mm
185	872 11 06-22	Bolt Rdhd 3/8-16 unc x 2-3/4 Gr.5			
186	532 19 43-21	Spacer Retainer			
187	819 13 32-10	Washer 13/32 x 2 x 10 Ga.			

NOTE: All component dimensions given in U.S. inches
1 inch = 25.4 mm

**TRACTOR - MODEL NO. YTA1946 (96048005500), PRODUCT NO. 960 48 00-55
ENGINE**



engine-tex_BS_89

TRACTOR - MODEL NO. YTA1946 (96048005500), PRODUCT NO. 960 48 00-55 ENGINE

KEY NO.	PART NO.	DESCRIPTION
1	---	Engine B&S Model No. 33S877-0009-G1 (586190501) (Order parts from engine manufacturer.)
2	532 44 67-60	Muffler
9	532 19 43-19	Keeper Belt Engine
11	532 40 00-08	Clutch Electric
12	532 40 29-80	Pulley Engine
15	581 29 01-01	Tank Fuel
18	532 43 02-20	Cap Asm
20	532 40 15-08	Control Throttle
21	532 41 63-58	Screw # 10 x 0.750
28	532 13 70-40	Fuel Line
29	532 13 71-80	Spark Arrester Kit
37	532 12 34-87	Clamp Hose
41	532 12 61-97	Washer 1-1/2 OD x 15/32 ID x .250
42	810 04 07-00	Washer Lock 7/16
45	873 51 04-00	Nut Keps Hex 1/4-20 unc
69	532 16 52-91	Gasket
79	532 19 23-34	Screw Socket Hd. 5/16-18 x .75
81	532 14 84-56	Easy Oil Drain Tube
82	532 42 82-87	Oil Drain Valve
84	817 06 06-20	Screw 3/8-16 x 1-1/4
85	532 17 39-37	Bolt Hex 7/16-20 x 4 x Gr. 5-1.5 Thr
87	537 17 18-77	Bolt 5/16-18 unc x 3/4 w/Sems
90	817 00 06-16	Screw 3/8-16 x 1
94	581 88 09-01	Tube Exhaust
96	819 09 14-16	Washer 9/32 x 7/8 x 16 Ga.
97	817 67 04-12	Screw Hexwsh Thdrol 1/4-20 x 3/4

NOTE: All component dimensions given in U.S. inches
1 inch = 25.4 mm

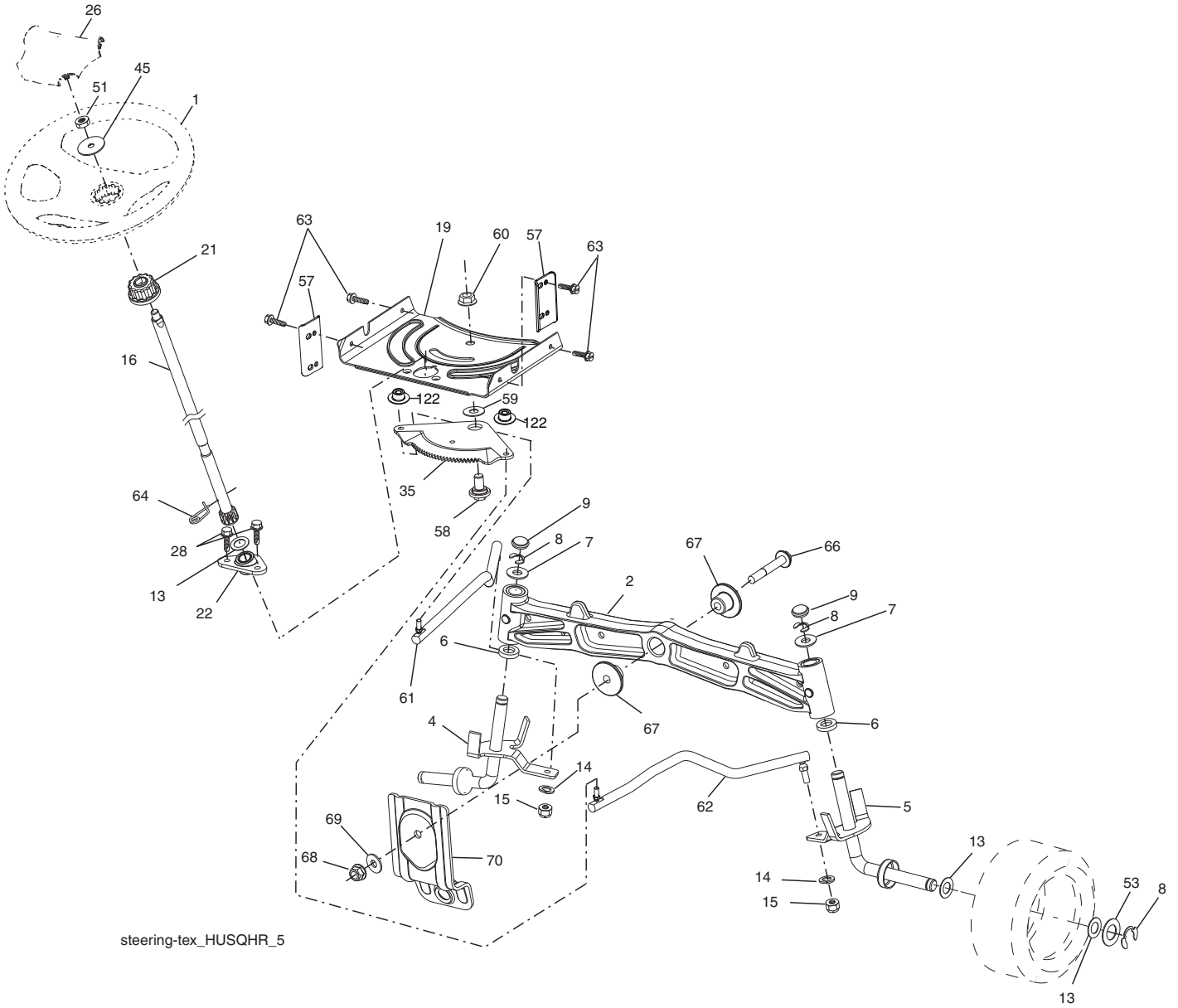
For engine service and replacement parts, call the toll free number for your engine manufacturer listed below:

Briggs & Stratton 1-800-233-3723

Engine Power Rating Information

The gross power rating for individual gas engine models is labeled in accordance with SAE (Society of Automotive Engineers) code J1940 (Small Engine Power & Torque Rating Procedure), and rating performance has been obtained and corrected in accordance with SAE J1995 (Revision 2002-05). Torque values are derived at 3060 RPM; horsepower values are derived at 3600 RPM. Actual gross engine power will be lower and is affected by, among other things, ambient operating conditions and engine-to-engine variability. Given both the wide array of products on which engines are placed and the variety of environmental issues applicable to operating the equipment, the gas engine will not develop the rated gross power when used in a given piece of power equipment (actual "on-site" or net power). This difference is due to a variety of factors including, but not limited to, accessories (air cleaner, exhaust, charging, cooling, carburetor, fuel pump, etc.), application limitations, ambient operating conditions (temperature, humidity, altitude), and engine-to-engine variability. Due to manufacturing and capacity limitations, Briggs & Stratton may substitute an engine of higher rated power for this Series engine.

TRACTOR - MODEL NO. YTA1946 (96048005500), PRODUCT NO. 960 48 00-55
STEERING ASSEMBLY

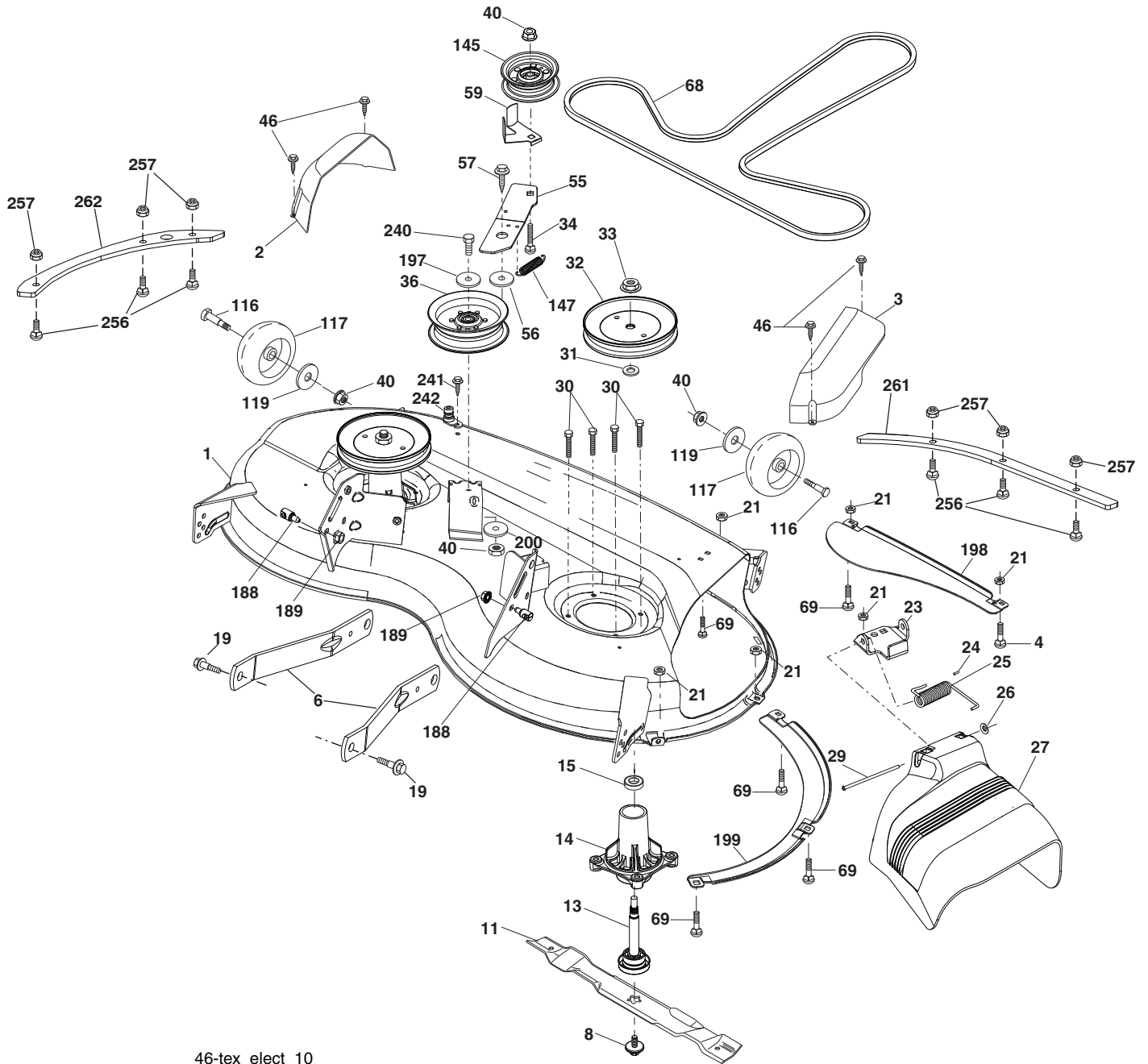


**TRACTOR - MODEL NO. YTA1946 (96048005500), PRODUCT NO. 960 48 00-55
STEERING ASSEMBLY**

KEY NO.	PART NO.	DESCRIPTION
1	532 43 97-40	Wheel, Steering
2	532 19 59-68	Axle Cast Iron
4	532 40 30-87	Spindle Asm., LH
5	532 40 30-88	Spindle Asm., RH
6	532 12 49-31	Washer, Thrust
7	532 12 17-48	Washer 25/32 x 1-5/8 x 16 Ga.
8	812 00 00-29	Ring, Klip #T5304-75
9	532 12 12-32	Cap, Spindle
13	532 12 17-49	Washer 25/32 x 1-1/4 x 16 Ga.
14	810 04 06-00	Washer, Lock Hvy Hlcl Spr 3/8
15	873 54 06-00	Nut, Crown Lock 3/8-24 unf
16	532 40 82-19	Shaft Steering
19	532 19 47-29	Plate Steering
21	532 18 67-37	Adapter, Wheel Steering
22	532 42 05-37	Steering Support
26	532 43 97-43	Insert, Wheel Steering
28	817 00 06-12	Screw 3/8-16 x 3/4
35	532 19 47-32	Gear, Sector Plate
45	819 18 38-12	Washer 9/16 ID x 2-3/8 OD 12 Ga.
51	873 94 08-00	Nut Hex Jam Toplock 1/2-20 unf
53	532 18 89-67	Washer Hardened .793 x 1.637 x .060
57	532 40 74-65	Bracket Upstop
58	532 19 47-47	Bolt Shoulder Sector Pivot CFM
59	532 19 47-48	Washer Thrust Sector Steering
60	873 97 10-00	Nut Flange Lock 5/8-11
61	532 19 47-40	Draglink, LH
62	532 19 47-41	Draglink, RH
63	817 00 05-12	Screw 5/16-18 x 3/4
64	532 19 98-49	Retainer Clip Spring Steering
66	871 02 07-48	Bolt Hex Fghd 7/16-14 x 3 Serr
67	532 19 47-37	Bushing PM Front Axle
68	873 90 07-00	Nut Lock Flange 7/16-14 Gr. 5
69	532 19 91-62	Washer 1.5 x .505 x .118
70	532 19 61-97	Bracket Deck Susp. Front
122	532 44 49-62	Cap Gear

NOTE: All component dimensions given in U.S. inches
1 inch = 25.4 mm

**TRACTOR - MODEL NO. YTA1946 (96048005500), PRODUCT NO. 960 48 00-55
MOWER DECK**



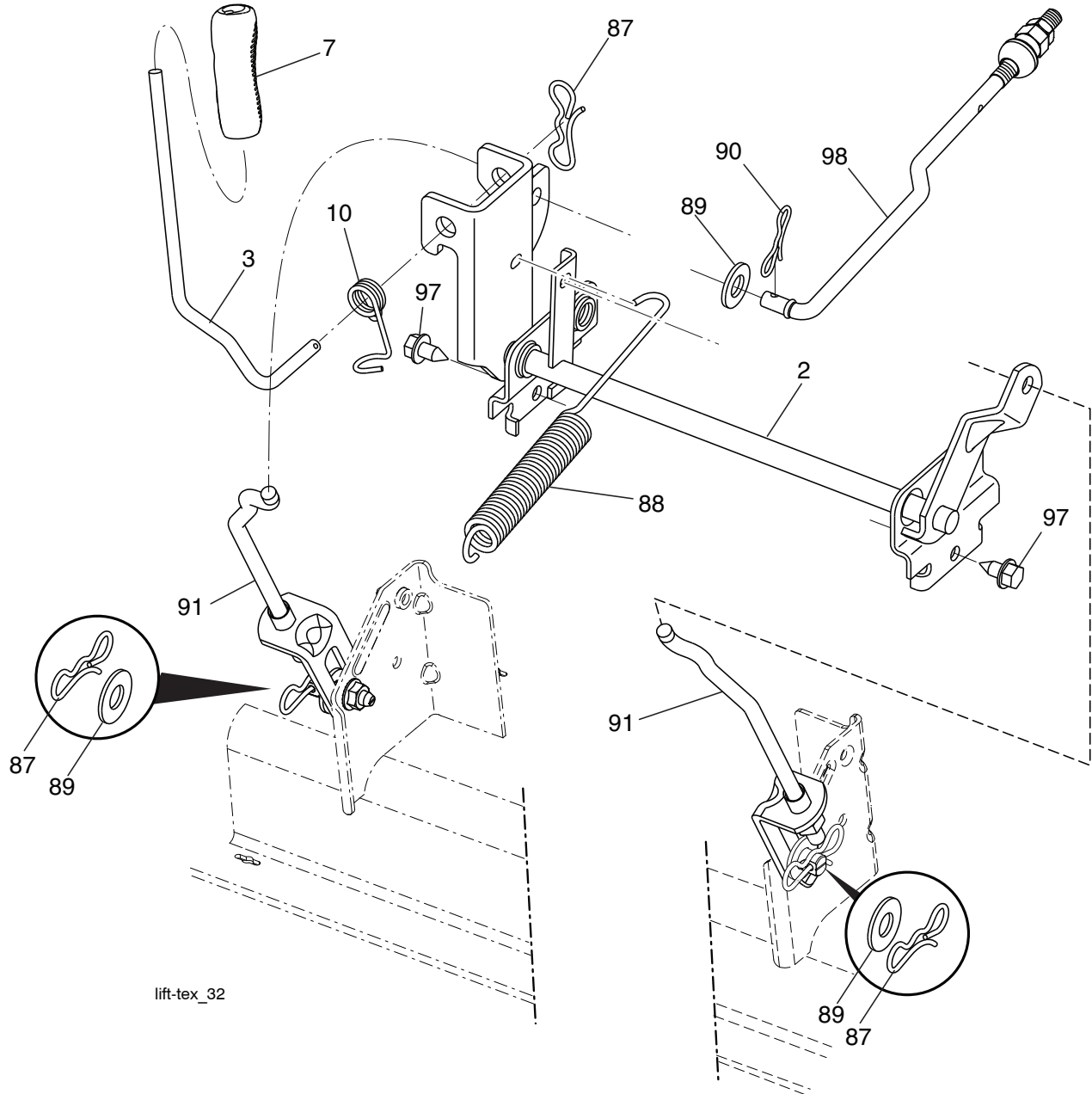
46-tex_elect_10

**TRACTOR - MODEL NO. YTA1946 (96048005500), PRODUCT NO. 960 48 00-55
MOWER DECK**

KEY NO.	PART NO.	DESCRIPTION	KEY NO.	PART NO.	DESCRIPTION
1	583 90 09-05	Mower Housing	68	532 40 51-43	V-Belt
2	532 40 55-06	Cover Mandrel RH	69	872 14 05-05	Bolt
3	532 40 55-07	Cover Mandrel LH	116	532 19 34-06	Bolt, Shoulder
4	874 76 05-12	Bolt Hex Hd 5/16-18 unc x 3/4	117	532 17 48-73	Wheel, Gauge
6	532 19 51-86	Arm Suspension	119	819 13 20-12	Washer 13/32 x 1-1/4 x 12 Ga.
8	532 19 30-03	Bolt/Washer asm 7/16-20 unf	145	532 19 31-97	Pulley Idler
11	532 40 53-80	Blade Mower Hi Lift	147	532 19 72-51	Spring Mower Drive
13	532 19 28-72	Shaft Assembly, Mandrel	188	532 19 51-61	Stud Fastener
14	532 18 72-81	Housing, Mandrel	189	873 90 05-00	Nut Lock Hex Flange
15	532 11 04-85	Bearing, Ball, Mandrel	197	819 13 13-12	Washer 13/32 x 13/16 x 12 Ga.
19	532 19 65-39	Bolt, Shoulder	198	532 40 31-49	Baffle Center Front
21	873 68 05-00	Nut	199	532 40 31-50	Baffle Front RH
23	532 19 25-57	Bracket, Deflector	200	532 41 35-24	Washer 13/32 x 1 x 1/2 11 Ga.
24	532 10 53-04	Cap, Sleeve	240	874 52 06-36	Bolt 3/8-16 unc x 2-1/4 Gr. 5
25	532 19 70-26	Spring, Torsion, Deflector	241	532 15 29-27	Screw
26	532 11 04-52	Nut, Push	242	532 41 55-98	Washout Port
27	532 40 53-57	Shield, Deflector	256	578 29 64-04	Screw Buttonhead 5/16-18
29	532 13 14-91	Rod, Hinge	257	873 90 04-00	Nut Hex Flange 1/4-20 unc
30	532 17 39-84	Screw Thdrol Rolling Wsh Hd	261	585 31 77-05	Plate Reinforcement Front
31	532 18 76-90	Washer, Spacer	262	585 31 78-05	Plate Reinforcement Side
32	532 19 74-73	Pulley, Mandrel	--	532 19 28-70	Mandrel Assembly (Includes housing (key #14), shaft assembly (key #13), and bearing (key #15) only - pulley/nut/washer and blade bolt/washers not included)
33	532 40 02-34	Nut, Toplock, Flanged			
34	872 11 06-12	Bolt Carr Sh. 3/8-16 x 1-1/2 Gr. 5			
36	532 19 73-79	Pulley, Idler, Flat			
40	873 90 06-00	Nut, Lock Flg. 3/8-16 unc			
46	532 13 77-29	Screw	--	586 35 22-01	Replacement Mower, Complete
55	532 19 72-49	Arm, Idler			
56	532 19 90-92	Spacer, Retainer			
57	817 00 06-16	Screw Hexwsh Thd 3/8-16 x 1			
59	532 14 10-43	Guard, Tuv Idler (94)			

NOTE: All component dimensions given in U.S. inches
1 inch = 25.4 mm

**TRACTOR - MODEL NO. YTA1946 (96048005500), PRODUCT NO. 960 48 00-55
MOWER LIFT**

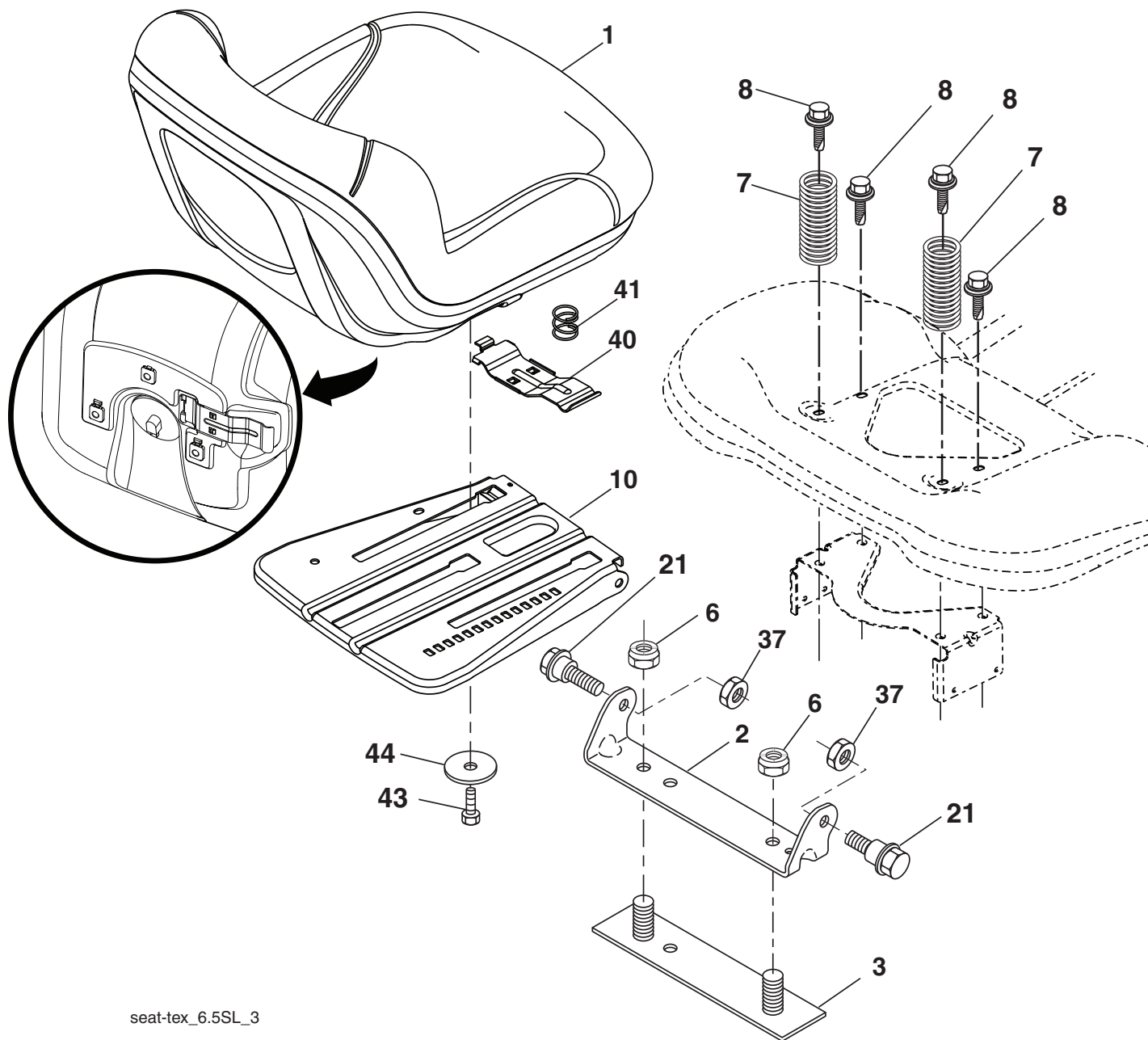


KEY PART NO.	PART NO.	DESCRIPTION
2	532 42 20-27	Shaft Asm., Lift
3	532 19 52-31	Lever Asm., Lift RH
7	580 96 23-01	Grip, Lever
10	532 19 63-14	Spring Torsion
87	532 19 42-09	Pin Cotter 7/16 Bow Tie Lock
88	532 41 07-10	Spring Lift Assist
89	819 19 19-12	Washer Clear Zinc
90	532 19 42-08	Pin Cotter 5/16 Bow Tie Lock

KEY PART NO.	PART NO.	DESCRIPTION
91	532 19 79-84	Link Lift Susp Mower Rear
97	817 00 06-12	Screw 3/8-16 x .75 Smgml Tap/R.Z
98	532 42 05-25	Link Lift Susp. Front Mower

NOTE: All component dimensions given in U.S. inches
1 inch = 25.4 mm

**TRACTOR - MODEL NO. YTA1946 (96048005500), PRODUCT NO. 960 48 00-55
SEAT ASSEMBLY**



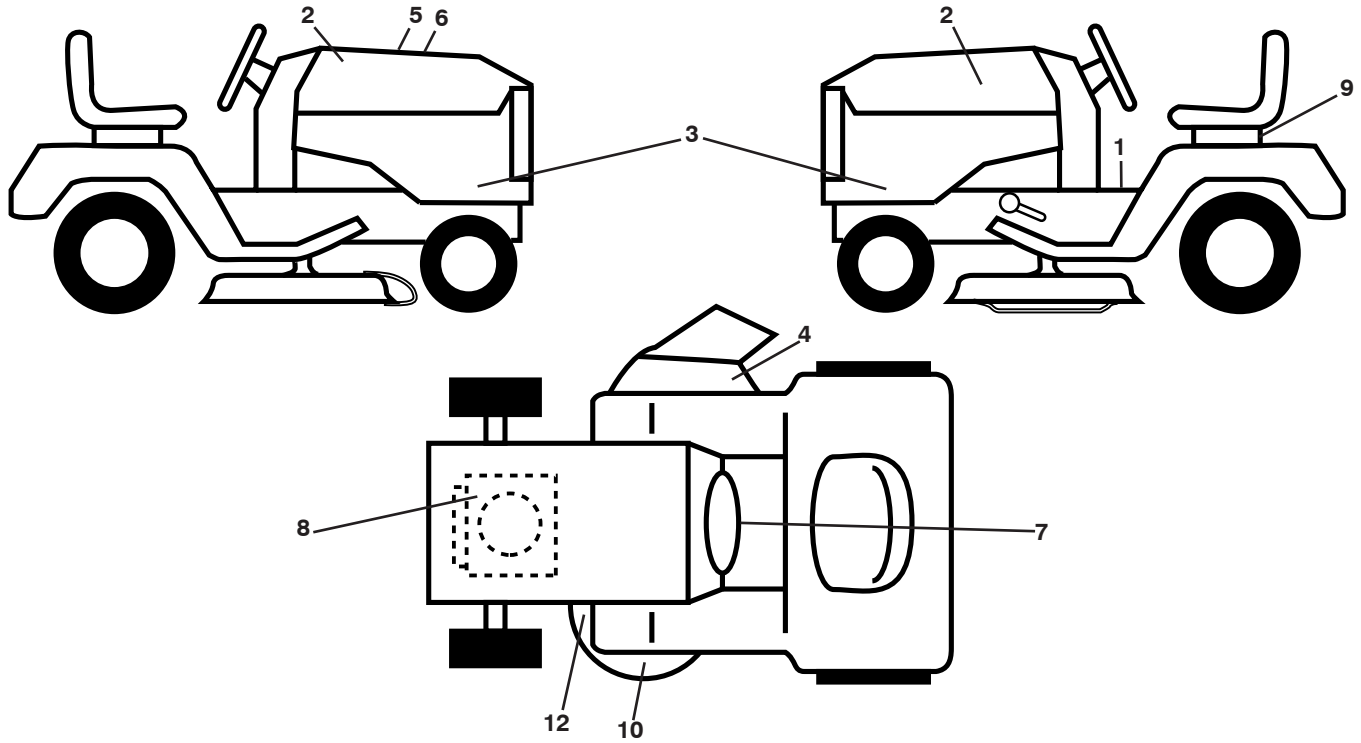
seat-tex_6.5SL_3

KEY PART NO.	PART NO.	DESCRIPTION
1	532 43 98-22	Seat
2	532 18 01-66	Bracket Pivot Fender
3	532 14 06-75	Strap, Asm Fender
6	873 80 06-00	Nut, Lock w/Ins. 3/8-16 unc
7	532 12 41-81	Spring, Seat Cprsn
8	532 17 18-77	Bolt 5/16-18 unc x 3/4 w/Sems
10	532 19 69-77	Pan, Seat
21	532 17 18-52	Bolt, Shoulder 5/16-18

KEY PART NO.	PART NO.	DESCRIPTION
37	873 80 05-00	Nut, Lock 5/16-18 unc
40	532 19 76-61	Handle Slide Seat
41	532 19 82-00	Spring Latch Seat
43	874 76 06-12	Bolt Fin Hex 3/8-16 unc x 3/4
44	819 13 38-12	Washer 13/32 x 2-3/8 x 12 Ga.

NOTE: All component dimensions given in U.S. inches
1 inch = 25.4 mm

**TRACTOR - MODEL NO. YTA1946 (96048005500), PRODUCT NO. 960 48 00-55
DECALS**



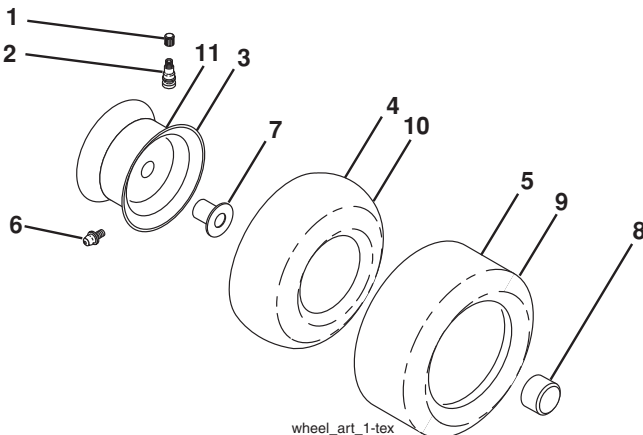
**KEY PART
NO. NO.**

KEY PART NO.	NO.	DESCRIPTION
1	581 57 90-01	Decal, Fender Warning
2	581 62 73-01	Decal, Hood
3	586 30 66-01	Decal, Hood Panel SD
4	581 57 95-01	Decal, Mower
5	532 42 38-29	Decal, Customer Respons.
6	586 06 55-01	Decal, Replacement
7	581 57 99-01	Decal, Warning Spark.
8	585 91 46-01	Decal, Engine
9	532 14 50-05	Decal, Battery Dnge/Poi

**KEY PART
NO. NO.**

KEY PART NO.	NO.	DESCRIPTION
10	585 71 44-02	Decal, POP Armor Prot. Deck
12	581 58 00-01	Decal, Mower V-Belt Schematic
--	581 72 48-01	Decal, Bypass
--	532 43 96-81	Pad, Footrest, LH
--	532 43 96-82	Pad, Footrest, RH
--	586 26 35-96	Manual, Operator's (English/French)
--	586 26 35-49	Manual, Parts (English/French)

WHEELS AND TIRES



**KEY PART
NO. NO.**

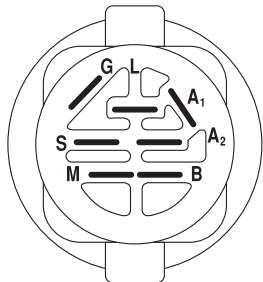
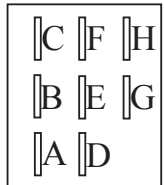
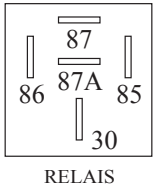
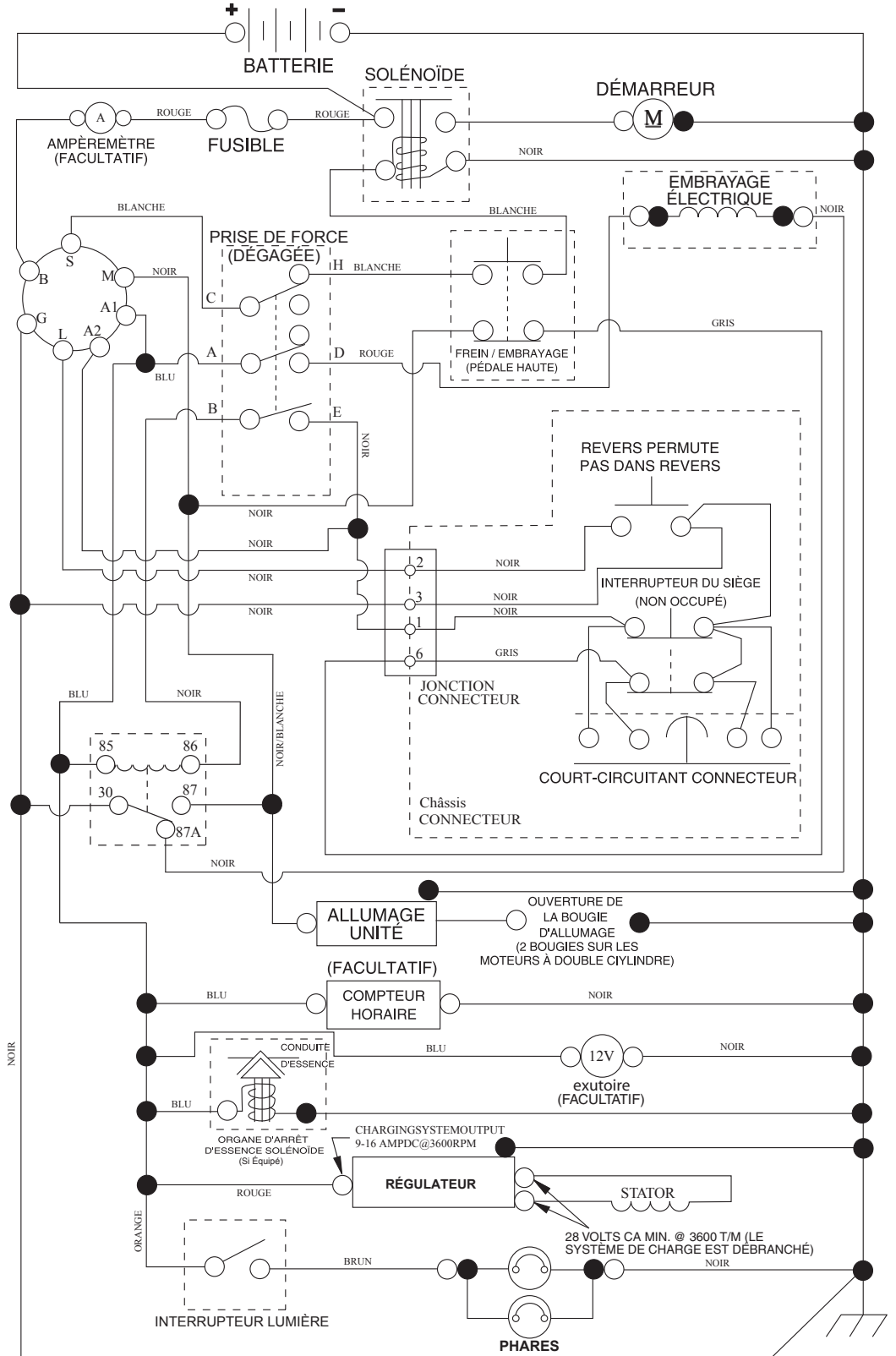
KEY PART NO.	NO.	DESCRIPTION
1	532 05 91-92	Cap Valve Tire
2	532 06 51-39	Stem Valve
3	532 13 83-36	Rim Front
4	532 05 99-04	Tube Front (Service Item Only)
5	532 10 62-22	Tire Front 15 x 6-6
6	532 12 49-57	Fitting Grease (Front Wheel Only)
7	532 12 49-59	Bearing Flange (Front Wheel Only)
8	532 17 50-39	Cap Axle Blk 1 50 x 1 00
9	532 13 84-68	Tire Rear 20 x 8-8
10	532 12 49-26	Tube Rear (Service Item Only)
11	532 13 83-37	Rim Asm 8" Rear
--	532 14 43-34	Sealant, Tire (10 oz. Tube)

NOTE: All component dimensions given in U.S. inches
1 inch = 25.4 mm

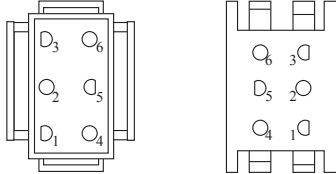
TRACTEUR - NO. DE MODÈLE YTA1946 (9604800550), NO. DE PROD. 960 48 00-55

SCHEMA

SCH13-F



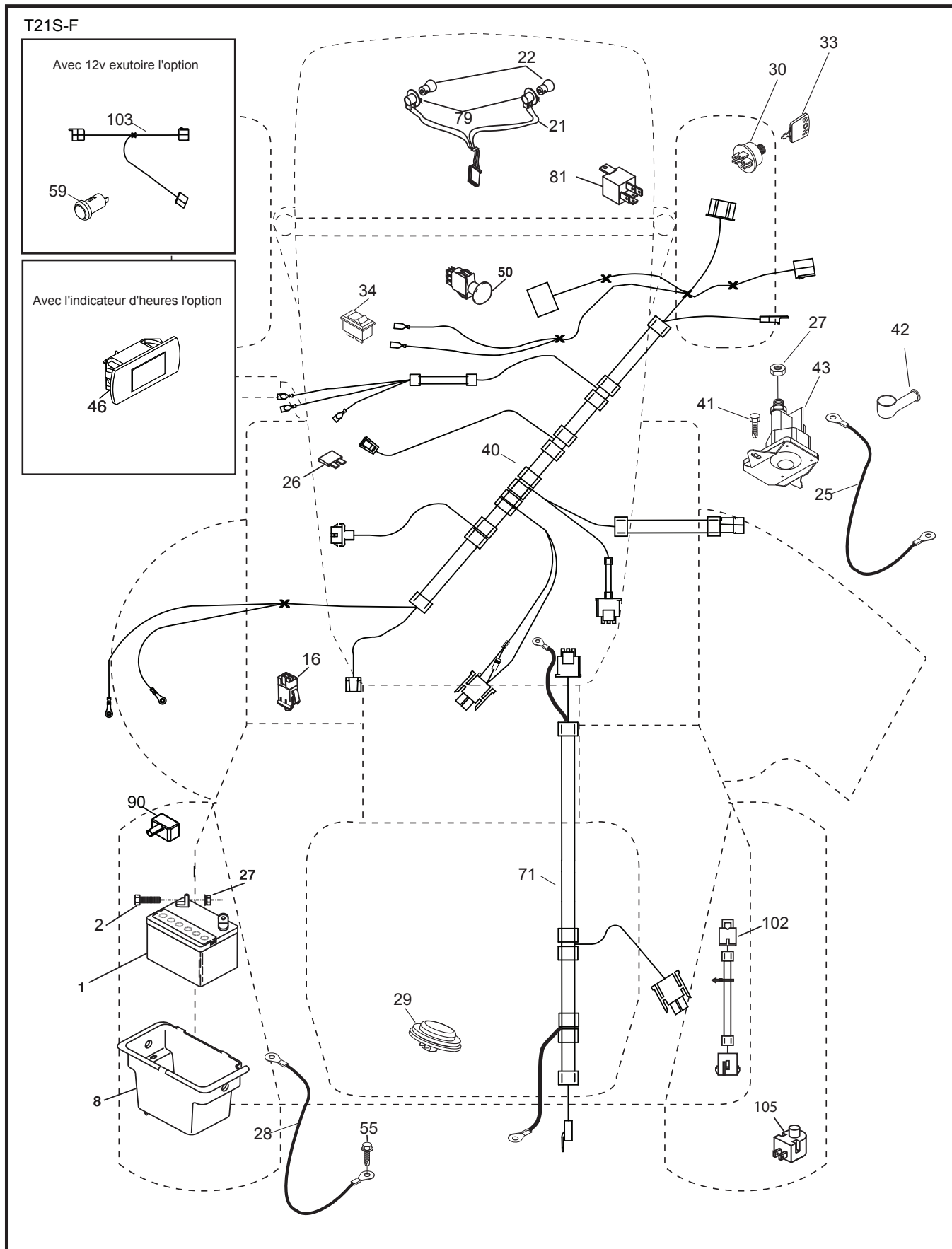
POSITION	CIRCUIT "FAITS"
ARRÊT	M + G + A1
MARCHE/ ALLUMAGE	B + A1
MARCHE	B + A1 L+A2



PINCES ISOLÉES
REMARQUE: SI LES PINCES ISOLÉES ONT ÉTÉ ENLEVÉES POUR L'ENTRETIEN DU MODÈLE, ELLES DOIVENT ÊTRE REMISES

CONNECTEURS NON-AMOVIBLES
CONNECTEURS AMOVIBLES

**TRACTEUR - NO. DE MODÈLE YTA1946 (96048005500), NO. DE PROD. 960 48 00-55
ÉLECTRIQUE**

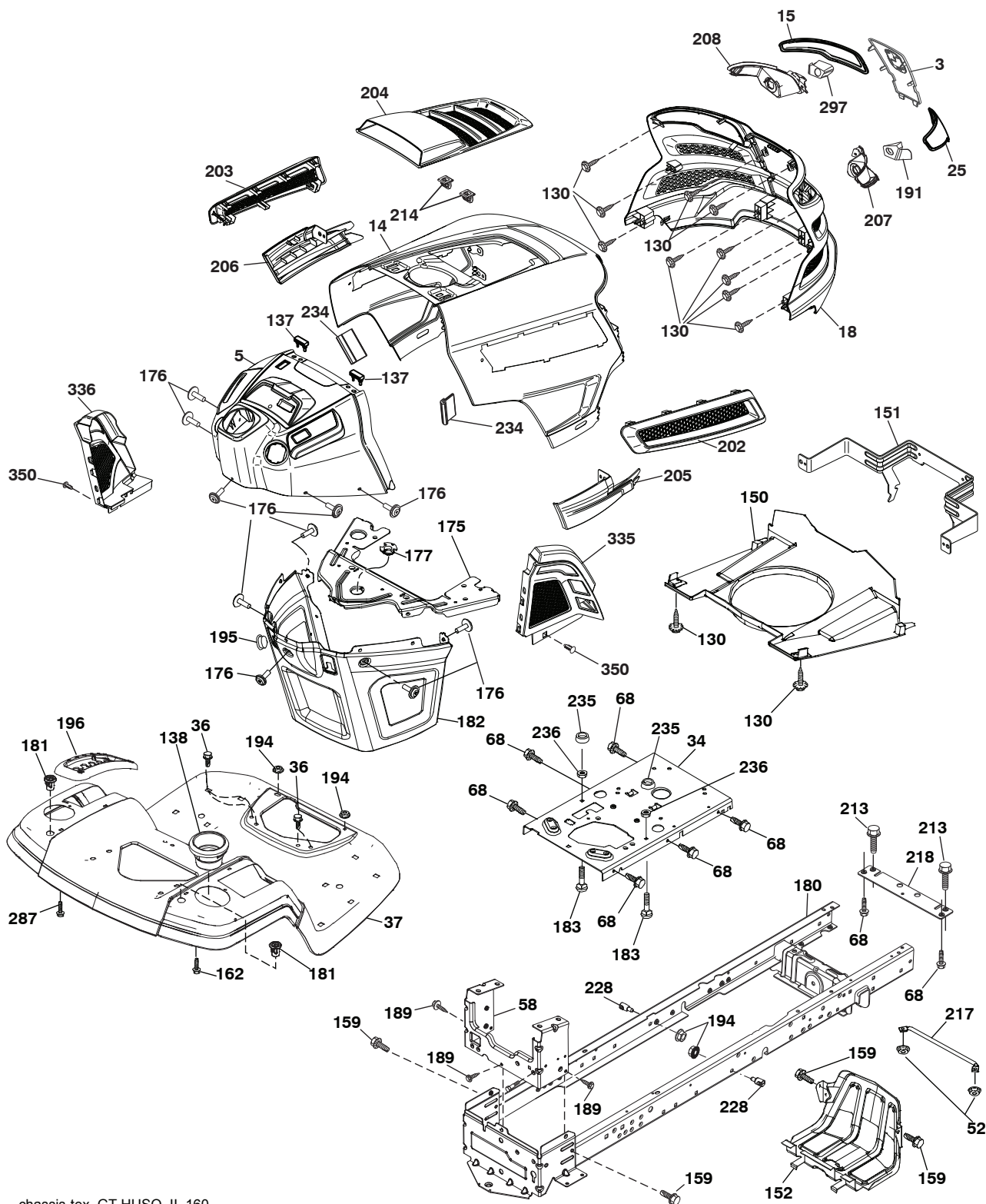


**TRACTEUR - NO. DE MODÈLE YTA1946 (96048005500), NO. DE PROD. 960 48 00-55
ÉLECTRIQUE**

NO. DE RÉF.	NO DE PIÈCE	DESCRIPTION
1	532 16 34-65	Batterie
2	874 76 04-12	Boulon H 1/4-20 unc x 3/4
8	532 19 32-28	Bac de batterie
16	532 17 61-38	Interrupteur de verrouillage pressé
21	532 40 02-52	Harnais des prises de courant des phares avec 4152J
22	532 00 41-52	Ampoule N°1156
25	585 55 55-01	Câble de batterie
26	532 17 51-58	Fusible
27	873 51 04-00	Écrou H 1/4-20 unc
28	532 42 16-86	Câble de masse
29	532 40 15-45	Interrupteur
30	532 19 33-50	Contacteur d'allumage
33	532 41 19-35	Clé/chaîne
34	532 11 07-12	L'interrupteur des phares
40	581 02 28-01	Harnais des câbles d'allumage
41	817 72 04-08	Vis 1/4-20 x 1/2
42	532 13 15-63	Couverture de borne
43	532 19 25-07	Solénoïde
46	532 40 17-63	Jauge
50	532 17 46-51	Interrupteur PTO
55	817 06 05-12	Vis 5/16-18 x 3/4 TYTT
71	532 44 15-44	Harnais des cables of d'allumage
79	532 17 52-42	Prise de courant d'ampoule
81	532 40 96-15	Harnais
90	532 43 53-95	Couverture
102	581 02 34-01	Harnais
105	532 40 75-68	Interrupteur

REMARQUE: Toutes les dimensions de composant sont données en pouces É.-U. --1 pouce = 25,4 mm

TRACTEUR - NO. DE MODÈLE YTA1946 (96048005500), NO. DE PROD. 960 48 00-55
CHÂSSIS/ENCEINTES



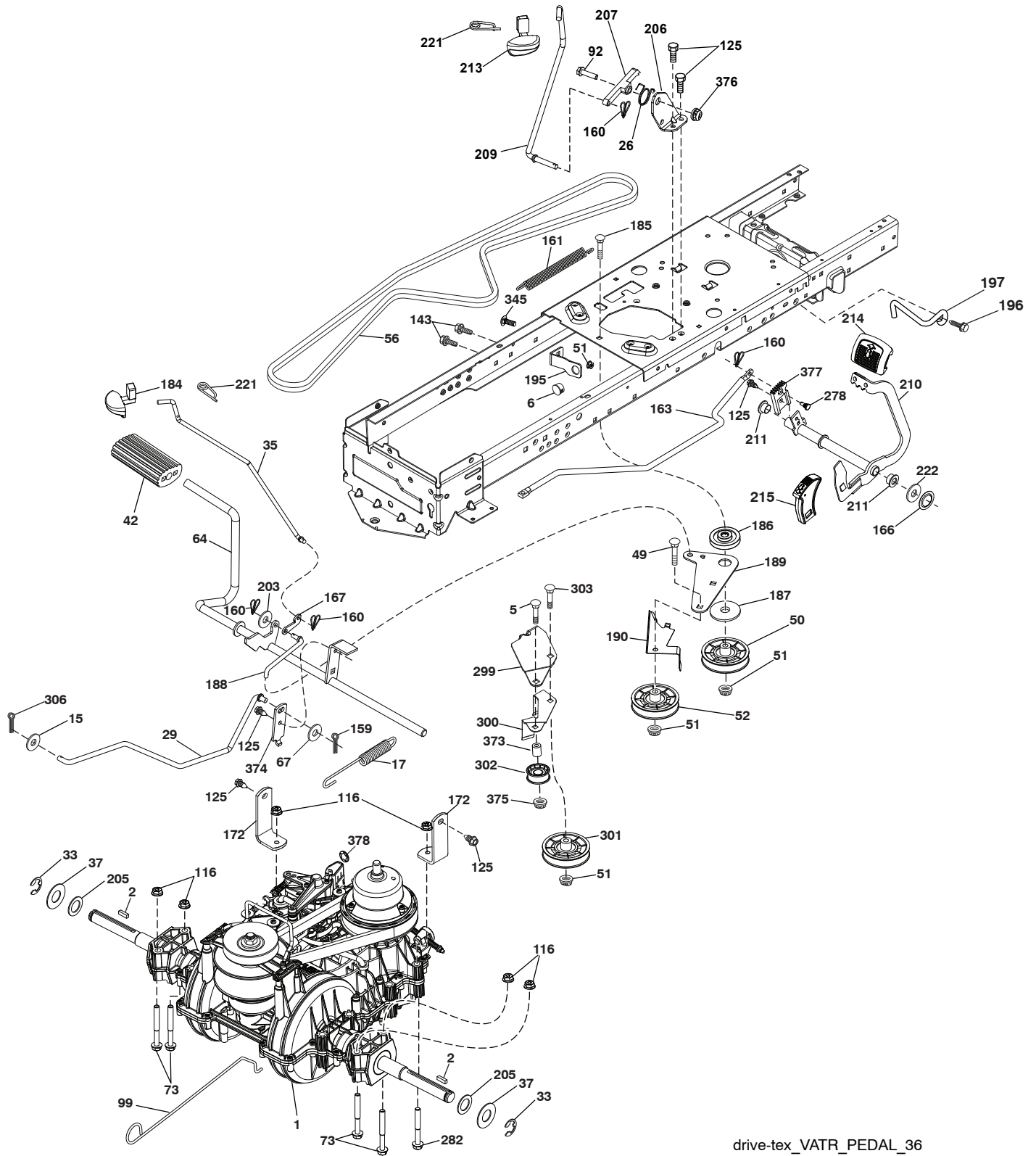
chassis-tex_GT HUSQ_IL_160

TRACTEUR - NO. DE MODÈLE YTA1946 (96048005500), NO. DE PROD. 960 48 00-55 CHÂSSIS/ENCEINTES

NO. DE RÉF.	NO DE PIÈCE	DESCRIPTION	NO. DE RÉF.	NO DE PIÈCE	DESCRIPTION
3	532 44 44-81	Applique	194	873 90 05-00	Écrou frein H 5/16-18
5	581 46 69-03	Tableau de bord, Husq.	195	532 40 41-37	Bouchon
14	532 44 11-77	Capot	196	532 43 96-47	Panneau
15	532 43 97-33	Lentille C.G.	202	532 43 97-28	Ventilé C.D.
18	532 44 06-53	Calandre	203	532 43 97-27	Ventilé C.G.
25	532 44 33-85	Lentille C.D.	204	532 43 57-14	Ventilé supérieur
34	580 91 08-01	Plaquette de moteur	205	532 43 97-30	Jupe C.D.
36	817 06 05-12	Vis 5/16-18 x 3/4	206	532 43 97-29	Jupe C.G.
37	532 44 12-06	Aile	207	532 43 97-34	Biseau C.D.
52	873 68 05-00	Écrou auto-bloquant 5/16-18	208	532 43 97-35	Biseau C.G.
58	532 41 22-80	La Barre D'attelage	213	874 76 05-12	Boulon H 5/16-18 unc x 3/4
68	817 49 05-08	Vis 5/16-18 x 1/2	214	532 19 91-45	Pince de arrêtor
130	532 41 63-58	Vis #10 x 0.750	217	532 40 91-67	Attache
137	532 40 75-90	Tableau de bord du chocs	218	532 19 63-95	Support du capuchon
138	532 43 97-47	Tenante de tasse	228	532 19 51-61	Tenon
150	532 43 99-21	Conduit d'air	234	532 40 47-42	Capot/pare-chocs
151	532 43 66-70	Soutien du support	235	532 40 61-29	Entretoise pour l'aile
152	532 43 98-70	Défecteur	236	873 93 05-00	Écrou auto-bloquant 5/16-18 unc
159	817 00 06-12	Vis 3/8-16 x 3/4	287	817 60 04-06	Vis 1/4-20 x 3/8
162	532 14 24-32	Vis	297	532 43 74-56	Insert C.G.
175	532 19 63-04	Croix	335	532 44 82-04	Couvercle C.D.
176	532 40 07-76	Vis 10-24 x 5/8	336	532 44 53-09	Couvercle C.G.
177	532 19 52-27	Direction De Douille	350	532 44 51-43	Attache
180	532 41 50-63	Châssis	--	532 40 09-44	Pare-chocs
181	532 43 97-46	Douille			
182	532 40 68-59	Inférieur du tableau de bord			
183	874 52 05-20	Boulon H 5/16-18 x 1-1/4			
189	817 00 05-12	Vis 5/16-18 x 3/4			
191	532 43 74-55	Insert (C,D)			

REMARQUE: Toutes les dimensions de composant sont données en pouces É.-U. --1 pouce = 25,4 mm

TRACTEUR - NO. DE MODÈLE YTA1946 (96048005500), NO. DE PROD. 960 48 00-55
ENTRAÎNMENT



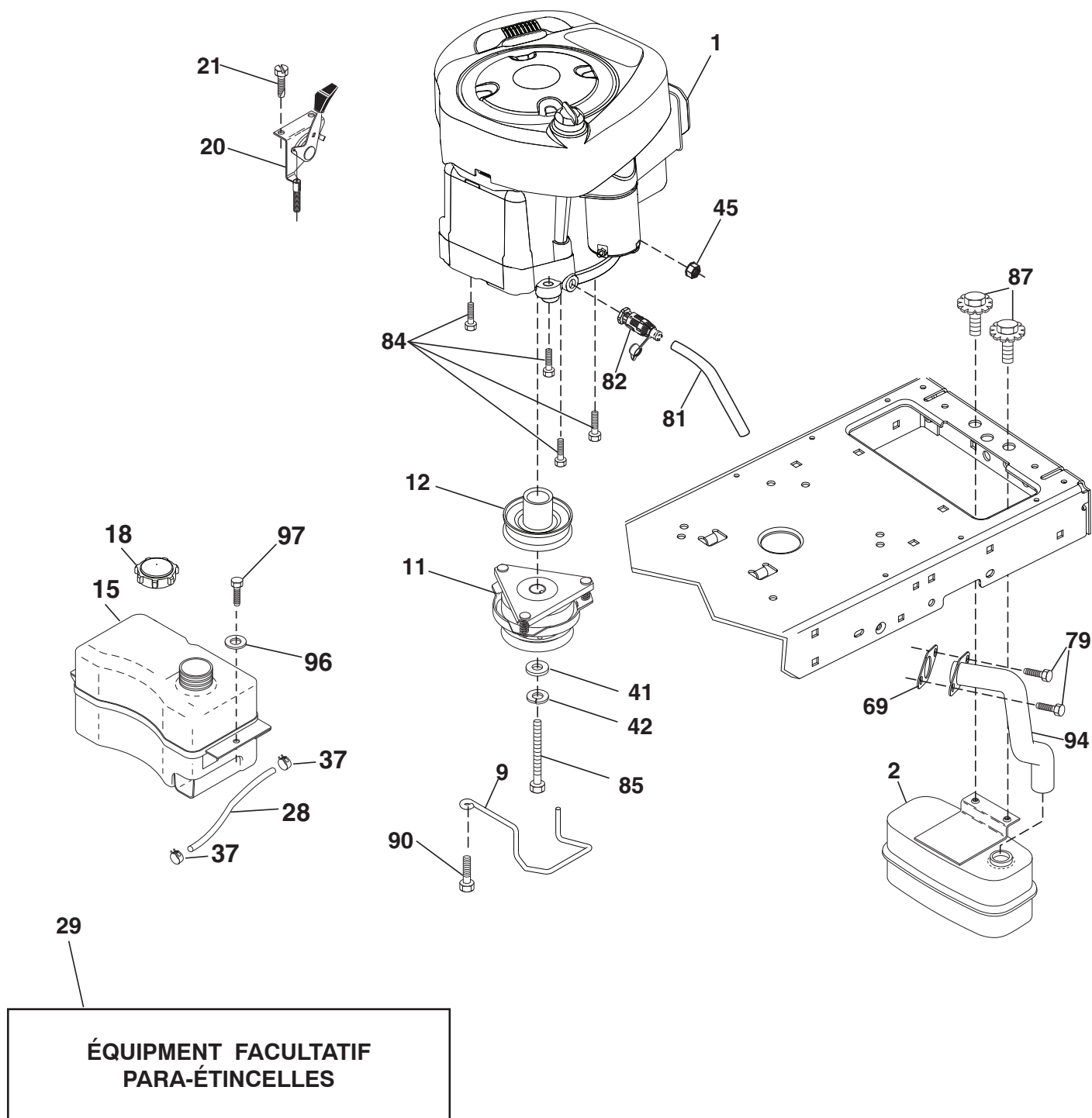
drive-tex_VATR_PEDAL_36

TRACTEUR - NO. DE MODÈLE YTA1946 (96048005500), NO. DE PROD. 960 48 00-55 ENTRAÎNMENT

NO. DE RÉF.	NO DE PIÈCE	DESCRIPTION	NO. DE RÉF.	NO DE PIÈCE	DESCRIPTION
1	---	Transmission Variator SD (584973901) (Commandez les pièces du fabricant du transmission.)	188	532 19 43-23	Raccord d'embrayage
			189	532 19 43-17	Levier coudé
2	532 12 35-83	Clé	190	532 19 43-18	Garde du courroie
5	874 76 06-36	Boulon HS 3/8-16 unc	195	581 50 46-01	Frein Support
6	532 12 40-28	Coussinet	196	817 00 06-16	Vis 3/8-16 x 1
15	819 13 13-16	Rondelle 13/32 x 13/16 x 16 Ja.	197	532 19 58-04	Tige
17	532 41 36-78	Ressort	203	819 11 11-16	Rondelle 11/32 x 11/16 x 16 Ja.
26	532 19 96-79	Ressort de rappel	205	532 12 17-48	Rondelle 25/32 x 1-5/8 x 16 Ja.
29	532 40 38-06	Tige du frein	206	532 44 85-96	Support
33	812 00 00-01	Bague en E	207	532 19 78-68	Loquet
35	532 43 54-86	Tige du frein de stationnement	208	532 19 78-69	Secteur denté
37	532 18 89-67	Rondelle .793 x 1.637 x 060	209	532 19 95-92	Tige
42	532 12 48-72	Couverture de la pédale	210	532 40 09-80	Commande de pédale
49	872 11 06-14	Boulon	211	532 12 01-83	Palier de nylon
50	532 19 43-27	Poulie du galet-tendeur	213	532 40 31-19	Bouton
51	873 90 06-00	Écrou frein 3/8-16	214	532 42 12-63	Pédale en avant
52	532 19 43-26	Galet-tendeur	215	532 40 17-23	Pédale contraire
56	532 13 09-69	Courroie trapézoïdale	216	532 19 61-31	Support (poulie du galet-tendeur)
64	532 19 78-65	Ensemble de l'arbre	221	532 40 31-87	Ressort de retenue
67	819 13 13-12	Rondelle 13/32 x 13/16 x 12 Ja.	222	879 21 20-10	Rondelle 21/32 x 1-1/4 10 Ja.
73	874 49 05-40	Boulon 5/16-18 x 2 1/2 Cat. 5	225	532 40 33-19	Garde du courroie
80	532 44 06-19	Couple De Courroie	226	532 40 15-64	Support
92	874 76 05-20	Boulon 5/16-18 unc x 1.25	227	817 49 05-12	Vis 5/16-18 x 3/4
99	532 41 57-42	Tige de dérivation	230	532 18 89-67	Rondelle .793 x 1.637 x 060
116	873 90 05-00	Écrou frein 5/16-18	278	580 36 91-01	Boulon
125	817 00 05-12	Vis 5/16-18 x 3/4	282	874 49 05-48	Boulon 5/16-18 x 3
143	817 49 05-08	Vis 5/16-18 x 1/2	299	532 41 56-83	Support
153	532 12 47-88	Ressort D'Arrêt	300	532 41 56-81	Guide-Courroie
159	876 02 04-12	Goupille fendue 1/8 x 3/4	301	532 41 56-80	Poulie Du Galet-Tendeur
160	532 16 94-84	Collier de retenue	302	581 42 05-01	Poulie Du Galet-Tendeur 2.0 Od
161	532 10 57-09	Ressort de rappel d'embrayage	303	872 11 06-18	Boulon 3/8-16 x 2-1/4
163	532 44 82-75	Tige du contrôle	306	876 02 04-16	Goupille en épingle à cheveux 1/8 X 1
166	532 42 91-64	Écrou .625	345	872 11 06-06	Boulon 3/8-16 x 1 Cat. 5
167	532 40 52-57	Loquet	373	581 46 18-01	Entretoise
170	532 19 43-22	Guide-courroie	374	581 47 52-01	Support
171	872 11 06-16	Boulon 3/8-16 unc x 2	375	873 68 06-00	E'crou
172	583 97 42-01	Support LH/RH	376	532 42 65-89	E'crou 5/16 x 18
183	532 13 70-57	Entretoise	377	584 30 34-01	Secteur Denté
184	532 44 14-55	Poignée de frein de stationnement	378	584 28 77-01	Frein E'crou
185	872 11 06-22	Boulon			
186	532 19 43-21	Ressort de retenue			
187	819 13 32-10	Rondelle			

REMARQUE: Toutes les dimensions de composant sont données en pouces É.-U. --1 pouce = 25,4 mm

TRACTEUR - NO. DE MODÈLE YTA1946 (96048005500), NO. DE PROD. 960 48 00-55
MOTEUR



TRACTEUR - NO. DE MODÈLE YTA1946 (96048005500), NO. DE PROD. 960 48 00-55

MOTEUR

NO. DE RÉF.	NO DE PIÈCE	DESCRIPTION
1	- - - - -	Moteur B&S-No. de modèle 33S877-0009-G1 (586190501) (Commandez les pièces du fabricant du moteur.)
2	532 44 67-60	Silencieux
9	532 19 43-19	Guide-courroie du moteur
11	532 40 00-08	Embrayage Électrique
12	532 40 29-80	Poulie de moteur
15	581 29 01-01	Réservoir d'essence
18	532 43 02-20	Chapeau d'essence
20	532 40 15-08	Commande des gaz
21	532 41 63-58	Vis #10 x 0.750
28	532 13 70-40	Conduite d'essence
29	532 13 71-80	Jeu de pare - étincelles (écran plate)
37	532 12 34-87	Bride de serrage de tuyau
41	532 12 61-97	Rondelle 1-1/2 OD x 15/32 ID x .250
42	810 04 07-00	Rondelle frein 7/16
45	873 51 04-00	Écrou H 1/4-20 unc
69	532 16 52-91	Garniture
79	532 19 23-34	Vis 5/16-18 x .75
81	532 14 84-56	Tube de vidange d'huile
82	532 42 82-87	Soupape d'huile
84	817 06 06-20	Vis 3/8-16 x 1-1/4
85	532 17 39-37	Boulon
87	537 17 18-77	Boulon 5/16-18 UNC x 3/4
90	817 00 06-16	Vis 3/8-16 x 1
94	581 88 09-01	Le tuyau du silencieux
96	819 09 14-16	Rondelle 9/32 x 7/8 x 16 Ja.
97	817 67 04-12	Vis 1/4-20 x 3/4

REMARQUE: Toutes les dimensions de composant sont données en pouce d'E.-U. - - 1 pouce = 25,4 mm.

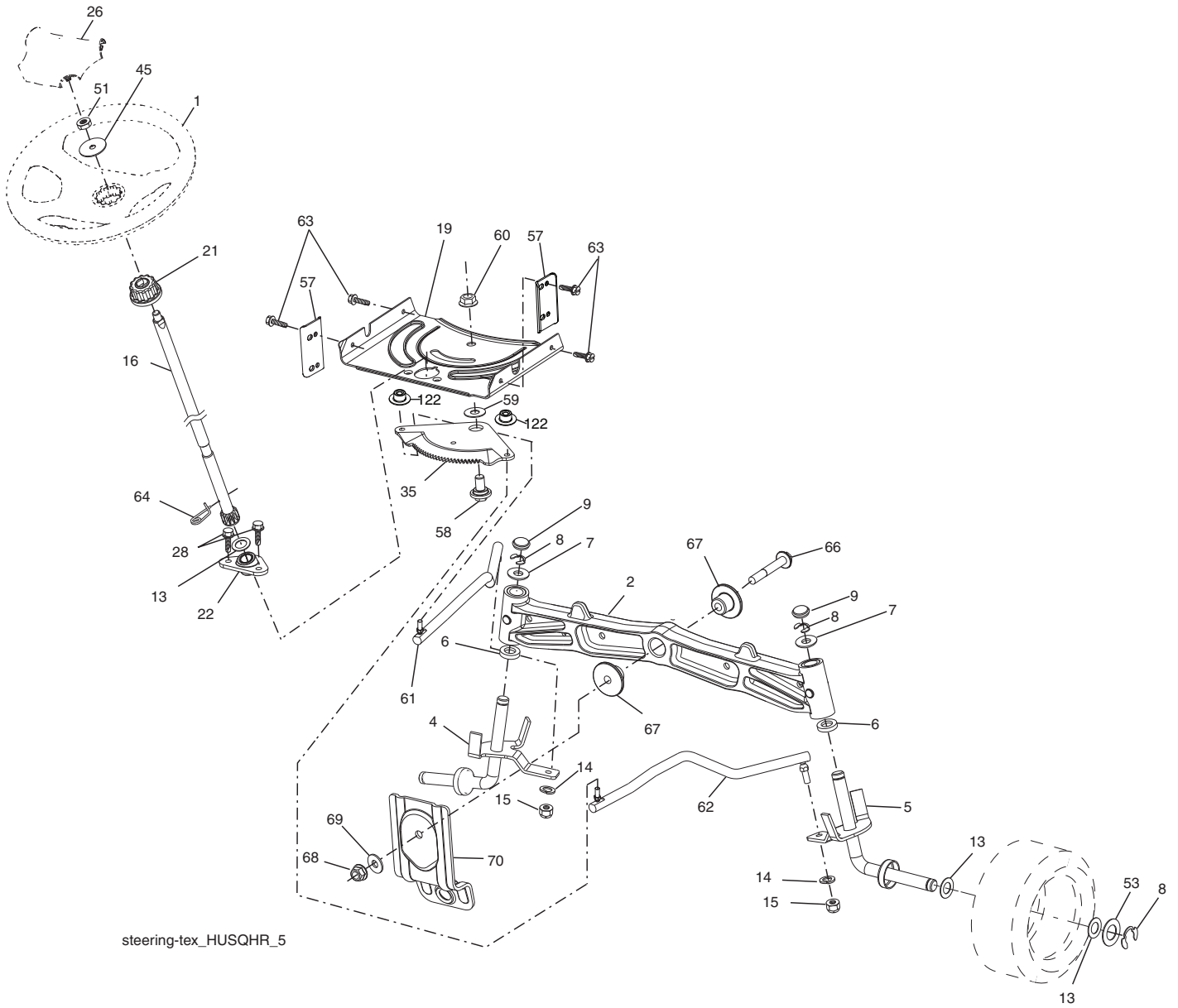
Pour des pièces de service et de rechange de moteur, réclamez le numéro de téléphone libre pour votre fabricant de moteur énuméré ci-dessous:

Briggs & Stratton 1-800-233-3723

Informations concernant la puissance théorique du moteur

La puissance brute pour chaque Modèle de moteur à essence est indiquée conformément au code J1940 (procédure de calcul de la puissance et du couple des petits moteurs) de la SAE (Society of Automotive Engineers) et les performances théoriques ont été obtenues et corrigées selon SAE J1995 (révision 2002-05). Les valeurs de couple sont calculées sur la base de 3060tr/min et celles de puissance sur la base de 3600tr/min. La puissance brute réelle du moteur peut être plus faible notamment à cause des conditions de fonctionnement et des variations d'un moteur à l'autre. Compte tenu de la grande variété de machines sur lesquelles nos moteurs sont utilisés et du nombre de problèmes environnementaux applicables au fonctionnement des équipements, il se peut que le moteur à essence ne développe pas sa puissance théorique une fois qu'il est monté sur une machine particulière (puissance nette ou réelle «sur site»). Cette différence s'explique par un grand nombre de facteurs, tels que (liste non limitative): accessoires (filtre à air, échappement, admission, refroidissement, carburateur, pompe à essence, etc.), limites d'utilisation, conditions ambiantes d'utilisation (température, humidité, altitude) et variations d'un moteur à l'autre. Pour des raisons de fabrication et de capacité limitées, Briggs & Stratton est susceptible de remplacer ce Modèle par un moteur plus puissant.

TRACTEUR - NO. DE MODÈLE YTA1946 (96048005500), NO. DE PROD. 960 48 00-55
ENSEMBLE DE LA DIRECTION



steering-tex_HUSQHR_5

**TRACTEUR - NO. DE MODÈLE YTA1946 (96048005500), NO. DE PROD. 960 48 00-55
ENSEMBLE DE LA DIRECTION**

NO. DE RÉF.	NO DE PIÈCE	DESCRIPTION
1	532 43 97-40	Volant de direction
2	532 19 59-68	Essieu
4	532 40 30-87	Ensemble de la broche C.G.
5	532 40 30-88	Ensemble de la broche C.D.
6	532 12 49-31	Palier de butée durci
7	532 12 17-48	Rondelle 25/32 x 1-5/8 x 16 Ja.
8	812 00 00-29	Rondelle clip n°t5304-75
9	532 12 12-32	Chapeau de broche
13	532 12 17-49	Rondelle 25/32 x 1-1/4 x 16 Ja.
14	810 04 06-00	Rondelle frein 3/8
15	873 54 06-00	Écrou frein 3/8-24 unf
16	532 40 82-19	Arbre de direction
19	532 19 47-29	Arbre de plaque
21	532 18 67-37	Adaptateur du volant de direction
22	532 42 05-37	Support
26	532 43 97-43	Insert de chapeau du volant de direction
28	817 00 06-12	Vis 3/8-16 x 3/4
35	532 19 47-32	Secteur denté
45	819 18 38-12	Rondelle 9/16 x 2-3/8 x 12 Ja.
51	873 94 08-00	Contre-écrou 1/2-20 unf
53	532 18 89-67	Rondelle .793 x 1.637 x .060
57	532 40 74-65	Support
58	532 19 47-47	Boulon à épaulement
59	532 19 47-48	Rondelle
60	873 97 10-00	Écrou frein à collet 5/8-11
61	532 19 47-40	Barre de direction C.G.
62	532 19 47-41	Barre de direction C.D.
63	817 00 05-12	Vis 5/16-18 x 3/4
64	532 19 98-49	Collier de retenue
66	871 02 07-48	Boulon 7/16-14 x 3
67	532 19 47-37	Douille
68	873 90 07-00	Écrou frein à collet 7/16-14 Cat. 5
69	532 19 91-62	Rondelle 1.5 x .505 x .118
70	532 19 61-97	Support
122	532 44 49-62	Chapeau

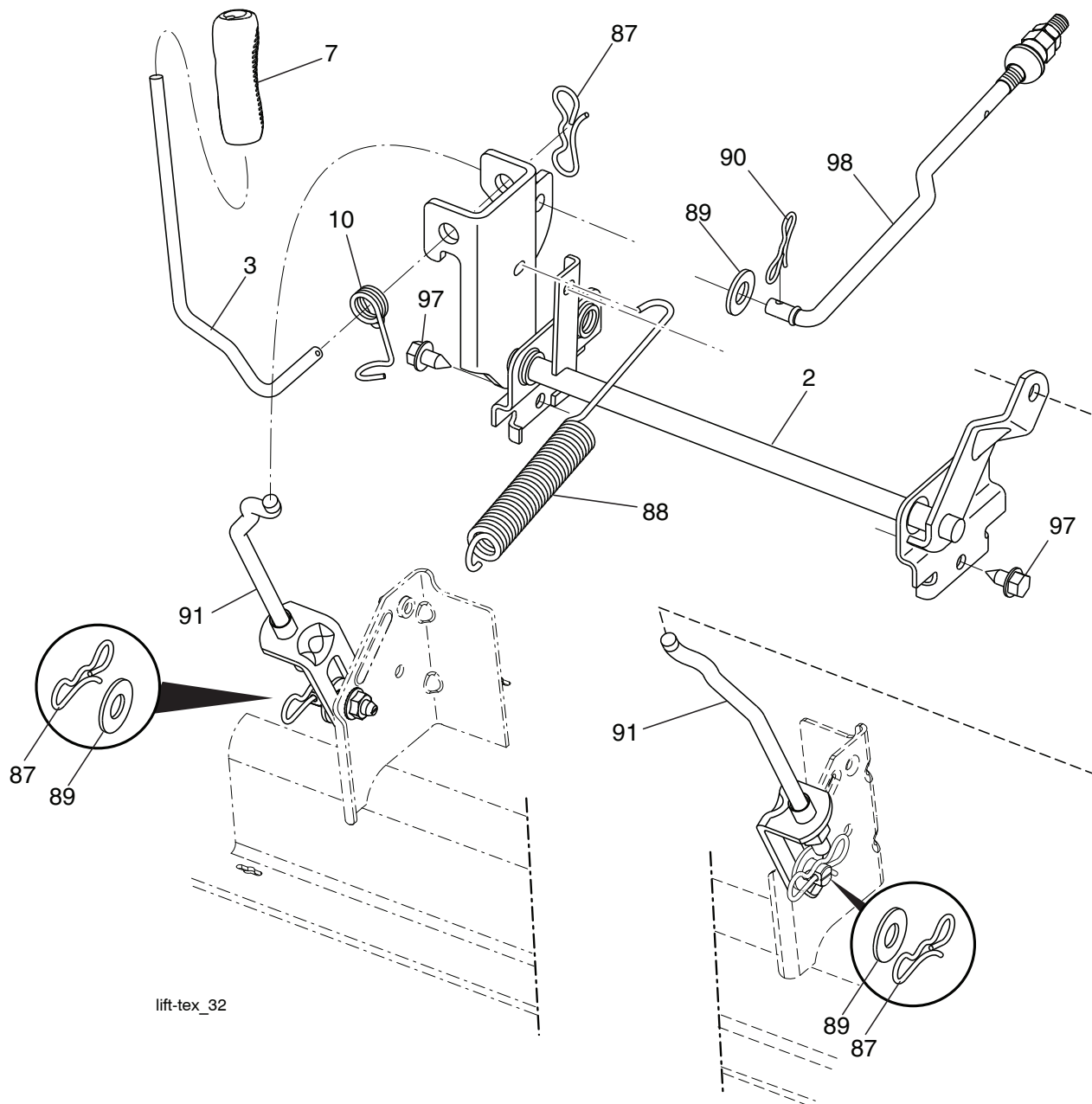
REMARQUE: Toutes les dimensions de composant sont données en pouces E.-U. --1 pouce = 25,4 mm

**TRACTEUR - NO. DE MODÈLE YTA1946 (96048005500), NO. DE PROD. 960 48 00-55
CARTER DE TONDEUSE**

NO. DE RÉF.	NO DE PIÈCE	DESCRIPTION	NO. DE RÉF.	NO DE PIÈCE	DESCRIPTION
1	583 90 09-05	Carter de tondeuse	69	872 14 05-05	Boulon 5/16-18 x 5/8
2	532 40 55-06	Couverture du mandrin CD	116	532 19 34-06	Boulon 3/8-16 x 3-5/8 Cat. 5
3	532 40 55-07	Couverture du mandrin CG	117	532 17 48-73	Roue De Jauge
4	874 76 05-12	Boulon 5/16-18 unc x 3/4	119	819 13 20-12	Rondelle 13/32 x 1-1/4 x 12 Ja.
6	532 19 51-86	Bras de suspension	145	532 19 31-97	Poulie de Tension
8	532 19 30-03	Boulon/Rondelle 7/16-20	147	532 19 72-51	Ressort de tordeuse
11	532 40 53-80	Lame, 42" Hi-Lift	188	532 19 51-61	Attache à Tenon
13	532 19 28-72	Ensemble de l'arbre	189	873 90 05-00	Écrou
14	532 18 72-81	Carter du mandrin	197	819 13 13-12	Rondelle 13/32 x 13/16 x 12 Ja.
15	532 11 04-85	Roulement à billes	198	532 40 31-49	Chicane
19	532 19 65-39	Boulon	199	532 40 31-50	Chicane
21	873 68 05-00	écrou Auto-Serrant 5/16-18 unc	200	532 41 35-24	Rondelle 13/32 x 1 x 1/2 11 Ja.
23	532 19 25-57	Support de déflecteur	240	874 52 06-36	Boulon 3/8-16 unc x 2-1/4 Cat. 5
24	532 10 53-04	Boulon à Tête	241	532 15 29-27	Vis #10-32.5 3/8 Flange
25	532 19 70-26	Ressort de Torsion de Déflecteur	242	532 41 55-98	Raccord de lavage du plateau de coupe
26	532 11 04-52	Ecrou de Poussee			
27	532 40 53-57	Déflecteur	256	578 29 64-04	Vis 5/16-18
29	532 13 14-91	Tige à Charnière	257	873 90 04-00	Écrou 1/4-20 unc
30	532 17 39-84	Vis	261	585 31 77-05	Renfort avant
31	532 18 76-90	Rondelle, Entretoise	262	585 31 78-05	Renfort latéral
32	532 19 74-73	Poulie du Mandrin	- - -	532 19 28-70	Ensamble del Mandril (solo incluye la carcasa (#14), el ensamble del eje (#13) y el rodamiento (#15); no incluye la polea/tuerca/arandela ni los pernos/arandelas de la cuchilla)
33	532 40 02-34	Tuerca de Seguridad con Brida			
34	872 11 06-12	Boulon. 3/8-16 x 1-1/2 Cat. 5			
36	532 19 73-79	Poulie de Tension 4.50 RAW			
40	873 90 06-00	Écrou, Lock Flg. 3/8-16			
46	532 13 77-29	Vis 1/4-20 x 5/8	- - -	586 35 22-01	Ensemble du carter de tondeuse complet
55	532 19 72-49	Bras du galet-tendeur			
56	532 19 90-92	Ressort de retenue			
57	817 00 06-16	Vis 3/8-16 x 1			
59	532 14 10-43	Protecteur TUV du galet-tendeur			
68	532 40 51-43	Courroie Trapézoïdale			

REMARQUE: Toutes les dimensions de composant sont données en pouces E.-U. --1 pouce = 25,4 mm

**TRACTEUR - NO. DE MODÈLE YTA1946 (96048005500), NO. DE PROD. 960 48 00-55
LEVAGE DE TONDEUSE**



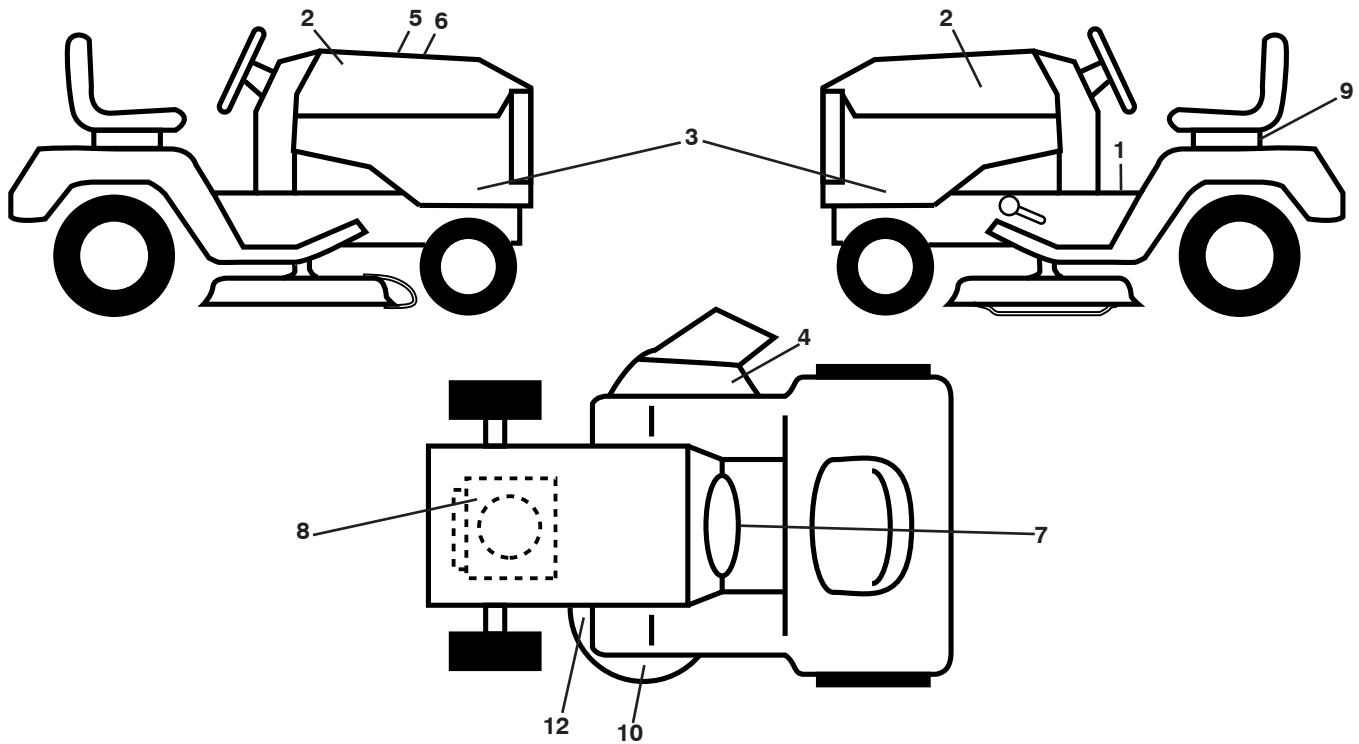
lift-tex_32

NO. DE RÉF.	NO DE PIÈCE	DESCRIPTION
2	532 42 20-27	Arbre
3	532 19 52-31	Ensemble de l'arbre de levage C.D.
7	580 96 23-01	Poignée du levier
10	532 19 63-14	Ressort de torsion
87	532 19 42-09	Goupille fendue 7/16 frein
88	532 41 07-10	Ressort
89	819 19 19-12	Rondelle
90	532 19 42-08	Goupille fendue 5/16 frein

NO. DE RÉF.	NO DE PIÈCE	DESCRIPTION
91	532 19 79-84	Levage d'accord, suspension arrière
97	817 00 06-12	Vis 3/8-16 x 3/4
98	532 42 05-25	Raccord de levage

REMARQUE: Toutes les dimensions de composant sont données en pouces É.-U. --1 pouce = 25,4 mm

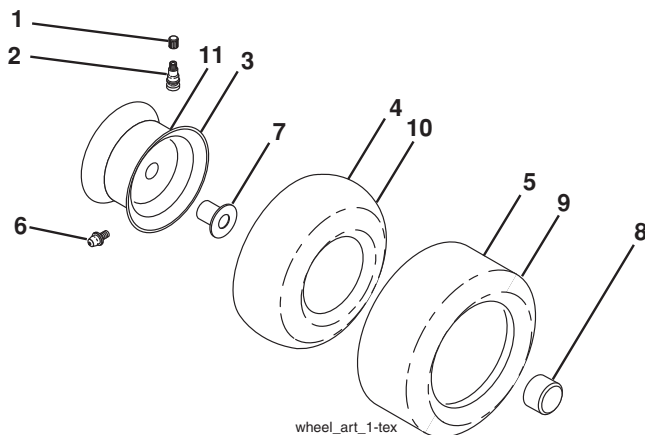
TRACTEUR - NO. DE MODÈLE YTA1946 (96048005500), NO. DE PROD. 960 48 00-55
DÉCALCOMANIE



NO. DE RÉF.	NO DE PIÈCE	DESCRIPTION
1	581 57 90-01	Décalcomanie d'avertissement
2	581 62 73-01	Décalcomanie du capot
3	586 30 66-01	Décalcomanie du capot
4	581 57 95-01	Décalcomanie d'avertissement
5	532 42 38-29	Décalcomanie du responsabilités de client
6	586 06 55-01	Décalcomanie
7	581 57 99-01	Décalcomanie d'avertissement
8	585 91 46-01	Décalcomanie du moteur
9	532 14 50-05	Décalcomanie de danger/poison de la batterie

NO. DE RÉF.	NO DE PIÈCE	DESCRIPTION
10	585 71 44-02	Décalcomanie
12	581 58 00-01	Décalcomanie de la courroie rapézoïdale
--	581 72 48-01	Décalcomanie
--	532 43 96-81	Coussin d'repose-pied C.G.
--	532 43 96-82	Coussin d'repose-pied C.D.
--	586 26 35-96	Manuel de l'Opérateur (Anglais/ Français)
--	586 26 35-49	Manuel des pièces (Anglais/ Français)

RUEDAS Y NEUMÁTICOS



NO. DE RÉF.	NO DE PIÈCE	DESCRIPTION
1	532 05 91-92	Capuchon de la valve du pneu
2	532 06 51-39	Tubulure de la valve
3	532 13 83-36	Ensemble de la jante antérieure de 6"
4	532 05 99-04	Chambre à air antérieure
5	532 10 62-22	Le service de pneu de devant 15 x 6-6
6	532 12 49-57	Graisseur (roue antérieure seulement)
7	532 12 49-59	Palier à bride (roue antérieure seulement)
8	532 17 50-39	Chapeau de l'essieu 1 50 x 1 00
9	532 13 84-68	Pneu R 20 x 8-8
10	532 12 49-26	Chambre à air arrière
11	532 13 83-37	Ensemble de la jante arrière de 8"
--	532 14 43-34	Joint d'étanchéité de pneu (tube de .30L [10 oz. Tube])

REMARQUE: Toutes les dimensions de composant sont données en pouces É.-U. --1 pouce = 25,4 mm

SERVICE NOTES/REMARQUES D'ENTRETIEN

09/26/2013 AP

Free Manuals Download Website

<http://myh66.com>

<http://usermanuals.us>

<http://www.somanuals.com>

<http://www.4manuals.cc>

<http://www.manual-lib.com>

<http://www.404manual.com>

<http://www.luxmanual.com>

<http://aubethermostatmanual.com>

Golf course search by state

<http://golfingnear.com>

Email search by domain

<http://emailbydomain.com>

Auto manuals search

<http://auto.somanuals.com>

TV manuals search

<http://tv.somanuals.com>