

# SUNPENTOWN *Beauty Belt Massager*

**MODEL : UC-633**

## Health guaranteed - Beauty doubled

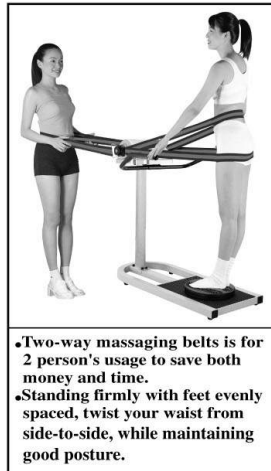
- Patented 5-speed variation - meet all the demands of your families.
- Handy massaging belts - slim your figure anywhere you want.
- Two-way massaging belts - economical for 2 person's usage.
- 360-degree MRP(Magnetic Rotation Plate) for effective and safe slimming of the body.
- Great effect to become both slim and healthy at one time.

Solving the problem of lacking exercise for those modern people.

The best appliance for the health care of the old.

## Instructions for application:

- **Neck:** Long time working in front of the computer would easily make your neck stiff. Using the massaging belt will relieve the uncomfortable feeling and revitalize blood circulation.
- **Back:** As the bad sitting posture, it easily results in the backache. Crisscross the twin-massaging belts on the back to improve the problem of backache.
- **Chest:** Crisscross the twin-massaging belts on the chest to stimulate the thymus gland and revitalize the tissues. Let you have a nice figure in a short time.
- **Waist:** Extra fat can easily accumulate in the waist. Eating too much and lack of exercise are the main reasons of having a big underbelly. Massaging the underbelly with such a strong vibrating wave can dissolve and reduce the extra fat. By using the MRP one can sculpt one's abdomen and lower body to acquire a fit and charming waistline.
- **Buttocks:** Those whose buttocks are drooping or flabby can easily have sturdy buttocks by using this device at a high frequency massaging wave.
- **Thigh:** Put the twin-massaging belts separately on the thighs, it can massage your thighs evenly and make your feet more slender.
- **Shank:** If you worry about varicose veins, you can sit on the pad and hang your feet on the massaging belt to massage. In this way, it can efficiently improve the blood circulation and prevent from worry about being varicose veins.



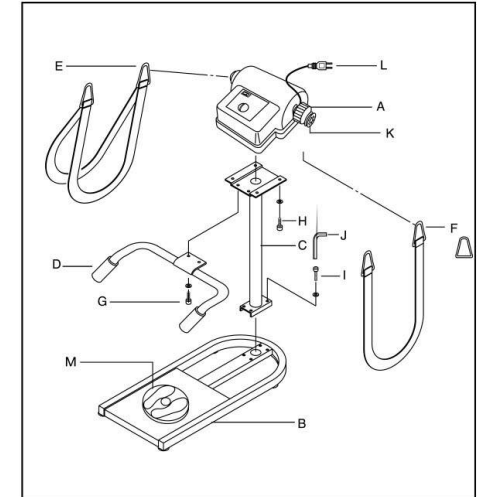
- Two-way massaging belts is for 2 person's usage to save both money and time.
- Standing firmly with feet evenly spaced, twist your waist from side-to-side, while maintaining good posture.



# *Instructional Diagram of Beauty Belt Massager*

## Component parts

- A. The head of massaging device.
- B. Base.
- C. Steel tube.
- D. Handle bar.
- E. Twin-massaging belt.
- F. Single-massaging belt.
- G. 8 x 16 steel screw & Dia. 8 washer.
- H. 8 x 12 steel screw & Dia. 8 washer.
- I. 8 x 16 steel screw & Dia. 8 washer.
- J. M6(m/m) hexagonal spanner
- K. 5-speed adjusting knobs.
- L. Electric wire.
- M. Magnetic Rotation Plate

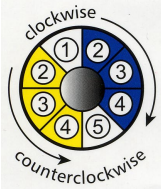


## Installation

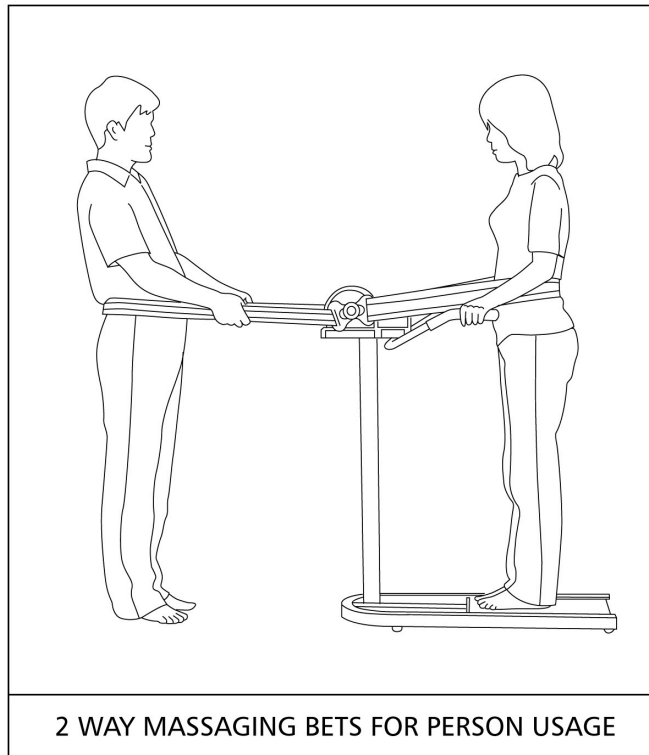
1. Place the (B. base ) on the ground, then loosen the screw behind. (I. 8 x 16 steel screw & Dia. 8 washer).
2. Put the (C. steel tube) vertically on the base to aim at the screw hole and screw tightly with (I. 8 x 16 steel screw & Dia. 8 washer) (Be sure of the accurate direction of the plate upon the steel tube) .
3. Loosen the screw(H. 8 x 12 steel screw & Dia. 8 washer) under the (A. the head of massaging device) and put the device (A.) on the plate upon the steel tube. Then screw them tightly from bottom to top with the screw (H.)
4. Put the (D. handle bar) under the plate which is upon the steel tube and screw them together with (G. 8 x 16 steel screw & Dia. 8 washer) by a spanner.
5. After finishing the above four steps, everyone can use the massager according requirements to choose either with (E. twin-massaging belt) or (F. single-massaging belt). The massager can be used for one person's massaging or two.
6. 5-speed of adjusting knobs: There are adjusting knobs at the both sides. Please switch both knobs to the same speed to balance the vibrating rate. For example, when the left is switched to the "5", the same goes for the right knob.

# KNOB USAGE AND OPERATION

■ **Patented 5-speed vibrating wave system ---the only device suitable for all families**



- ① **1st wave-Crushed Wave:** high frequency crushed wave comes with the Therapeutic Blood Circulator. It can consume calories and destroy fat, cause fine blood vessels to dilate and fill with blood, eliminate pain in the back & waist, and promote metabolism. This wave is recommended for heavy exercisers who desire the most effectiveness.
- ② **2nd wave-Slimming Wave:** high frequency spiral wave comes with massaging belts, it can burn and efficiently eliminate extra fat and wastes. Lets you have a slim, pretty and graceful figure. This wave is especially recommended for overweight women.
- ③ **3rd wave-Strengthening Wave:** one vibrating wave directed against the fat, its massaging effect can strengthen muscle, activate cellular functioning and beautify the skin. This is the best device for ladies who love beauty.
- ④ **4th wave-Massaging Wave:** this wave acts with the Therapeutic Blood Circulator. It can revitalize the meridians, nourish the blood, improve circulation, prevent illness and eliminate back pain. This wave is especially recommended for the elderly.
- ⑤ **5th wave-Circulating Wave:** slow wave is good for increasing energy in patients and also suitable for obese children.



2 WAY MASSAGING BETS FOR PERSON USAGE

## Free Manuals Download Website

<http://myh66.com>

<http://usermanuals.us>

<http://www.somanuals.com>

<http://www.4manuals.cc>

<http://www.manual-lib.com>

<http://www.404manual.com>

<http://www.luxmanual.com>

<http://aubethermostatmanual.com>

Golf course search by state

<http://golfingnear.com>

Email search by domain

<http://emailbydomain.com>

Auto manuals search

<http://auto.somanuals.com>

TV manuals search

<http://tv.somanuals.com>