



6720801072-00.1V

Tronic 3000T

ES 2.5/4/8...



BOSCH

Use this manual for installations in the United States of America:

Utilice este manual para las instalaciones en los Estados Unidos de América:

[3] Installation Manual and Operating Instructions

[14] Instrucciones de Instalación y Funcionamiento

6 720 801 072 (2015/02) US




Table of contents

1	Explanation of symbols and safety information	3
1.1	Key to symbols	3
1.2	Safety information	3
2	Information about the product	4
2.1	Models overview	4
2.2	Dimensions	5
2.3	Technical data	6
3	Installation instructions	7
3.1	Mounting the heater	7
3.2	Pipe connections	7
3.3	Closed system thermal expansion	7
3.4	Electrical connections	8
4	Use	8
4.1	Starting and testing	8
4.2	Temperature setting	8
5	Maintenance	9
5.1	Removing the cover	9
5.2	Draining the heater	9
5.3	Inspecting the anode rod	9
5.4	Removing the heating element	9
5.5	Descaling the heating element	10
6	Replacement of parts	10
6.1	Changing the anode rod	10
6.2	Changing the heating element	10
6.3	Changing the thermostat	10
7	Troubleshooting	11
7.1	Resetting High Limit Switch	11
8	Bosch interior components diagram	12
9	Bosch Tronic 3000T LIMITED WARRANTY	13

1 Explanation of symbols and safety information

1.1 Key to symbols

Warnings




Warnings in this document are identified by a warning triangle printed against a grey background. Keywords at the start of a warning indicate the type and seriousness of the ensuing risk if measures to prevent the risk are not taken.

The following keywords are defined and can be used in this document:

- **NOTICE** indicates that damage to property may occur.
- **CAUTION** indicates that personal injury may occur.
- **WARNING** indicates that severe personal injury may occur.
- **DANGER** indicates that severe personal injury or death may occur.

Important information




This symbol indicates important information where there is no risk to people or property.

Additional symbols

Symbol	Explanation
▶	Step in an action sequence
→	Cross-reference to another part of the document
•	List entry
–	List entry (second level)


Table 1

1.2 Safety information




CAUTION:
When using electrical appliances, safety precautions to reduce the risk of fire, electric shock or injury to persons should be followed, including:


- ▶ READ ALL INSTRUCTIONS BEFORE USING THIS WATER HEATER.
- ▶ This water heater must be grounded. Connect only to properly grounded outlet. See "GROUNDING INSTRUCTIONS" found on "INSTALLATION INSTRUCTIONS".
- ▶ Install or locate this water heater only in accordance with the provided installation instructions.
- ▶ Use this water heater only for its intended use as described in this manual.
- ▶ The models ES2.5 and ES4 come equipped with a power cord. Do not use an extension cord. If no outlet is available adjacent to the water heater, contact a qualified electrician to have one properly installed near the heater. The model ES8 must be hard-wired. See installation instructions.
- ▶ As with any appliance, close supervision is necessary when used by children.
- ▶ Do not operate this water heater if it has a damaged cord or plug, if it is not working properly, or if it has been damaged or dropped.
- ▶ This water heater should be serviced only by qualified service personnel. Contact a service person for examination, repair or adjustment.
- ▶ Failure to inspect the anode rod at least once a year could cause the tank to fail and leak. This condition is not covered under the manufacturer's warranty.
- ▶ Any water heater should be installed in such a manner that if it should leak, the resulting flow of water will not cause damage to the area in which it is installed. National Plumbing codes require a drain pan for any water heater installation. Failure to install one is the sole responsibility of owner and/or installer. Reference UPC 2006 (Uniform Plumbing Code) Section 508.1, or IPC 2006 (International Plumbing Code) Section 504.7.



NOTICE:
The installer should review the contents of this manual with the owner upon completion of installation, and the manual should be left with the owner and placed in a location close to the installation.



NOTICE:
The manufacturer cannot be responsible for the damages caused by improper installation or by failure to follow instructions in this manual. Comply with the installation instructions before completing electric connection.



NOTICE:
The thermostat has been pre-set at the factory at a temperature equal or below 51.7 °C (125 °F) (→ Fig. 1).

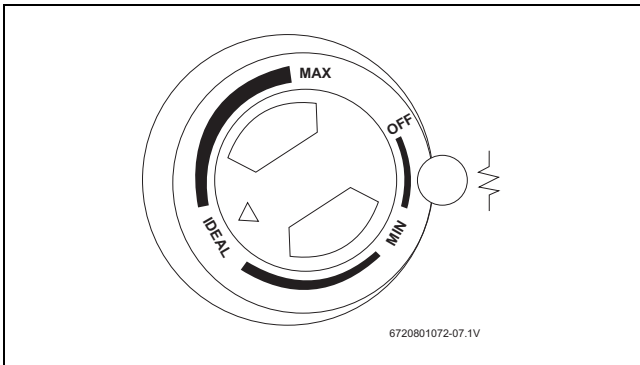


Fig. 1



DANGER:

Hydrogen gas can be produced in a hot water system served by this heater that has not been used for a long period of time (generally 2 weeks or more). Hydrogen gas is extremely flammable. To reduce the risk of injury under these conditions, it is recommended that the hot water faucet be opened for several minutes at the kitchen sink before using any electrical appliance connected to the hot water system. If hydrogen gas is present, there will probably be an unusual sound such as air escaping through the pipe as the water begins to flow. There should be no smoking or open flame near the faucet at the time it is open.



CAUTION:

Any water heater should be installed in such a manner that if it should leak, the resulting flow of water will not cause damage to the area in which it is installed. National Plumbing codes require a drain pan for any water heater installation. Failure to install one is the sole responsibility of owner and/or installer. Reference UPC 2006 (Uniform Plumbing Code) Section 508.1, or IPC 2006 (International Plumbing Code) Section 504.7.



CAUTION:

Prior to connecting the power supply, ensure tank is full of water and system is purged of air.



NOTICE:

Tank failure due to neglecting to maintain the anode rod is not covered under warranty (see Section 5 Maintenance).

2 Information about the product

2.1 Models overview

Models ES2.5 and ES4

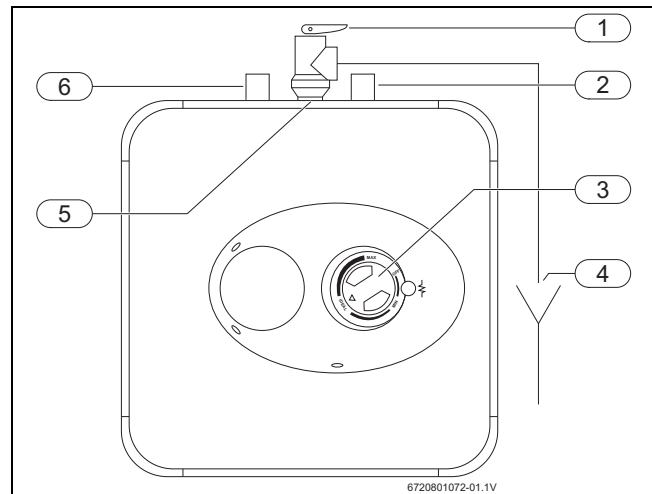


Fig. 2

- [1] Temperature & pressure relief valve, 3/4 NPT male
- [2] Cold water inlet 1/2 NPT male
- [3] Thermostat
- [4] Temperature & pressure relief valve discharge line to drain
- [5] 3/4 NPT female tapping for relief valve
- [6] Hot water outlet 1/2 NPT male

Models ES8 (Horizontal installation)

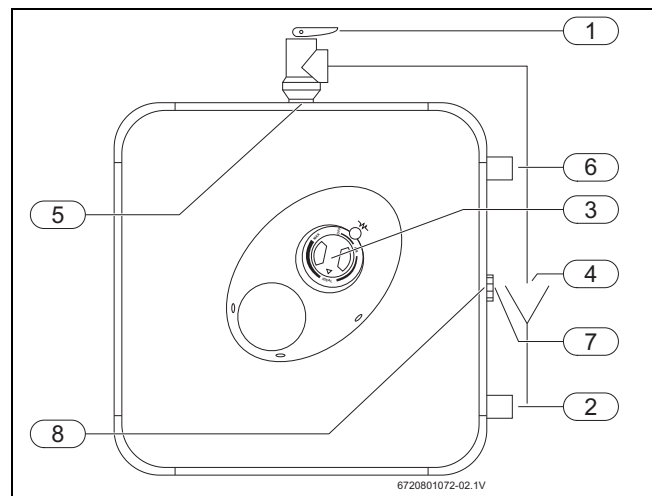


Fig. 3

- [1] Temperature & pressure relief valve, 3/4 NPT male
- [2] Cold water inlet 3/4 NPT male
- [3] Thermostat
- [4] Temperature & pressure relief valve discharge line to drain
- [5] 3/4 NPT female tapping for relief valve
- [6] Hot water outlet 3/4 NPT male
- [7] 3/4 NPT male plug
- [8] 3/4 NPT female tapping for tap

Models ES8 (Vertical installation)

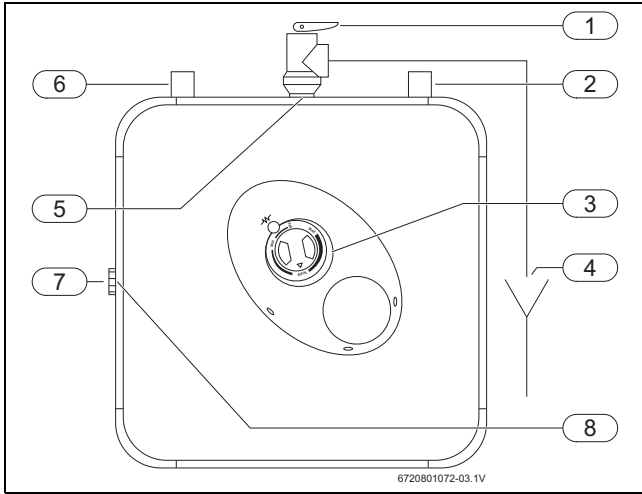


Fig. 4

- [1] Temperature & pressure relief valve, ¼ NPT male
- [2] Cold water inlet ¼ NPT male
- [3] Thermostat
- [4] Temperature & pressure relief valve discharge line to drain
- [5] ¼ NPT female tapping for relief valve
- [6] Hot water outlet ¼ NPT male
- [7] ¼ NPT male plug
- [8] ¼ NPT female tapping for tap

2.2 Dimensions

Models ES2.5 and ES4 (Vertical installation only)

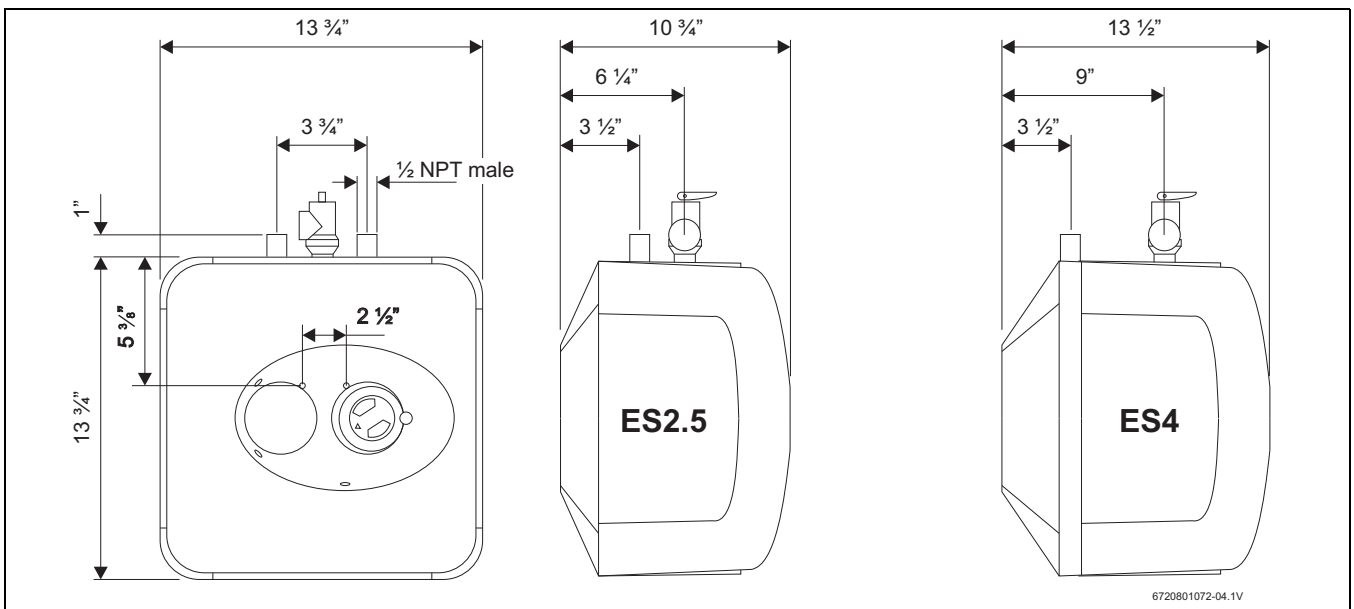


Fig. 5

Models ES8 (Vertical installation)

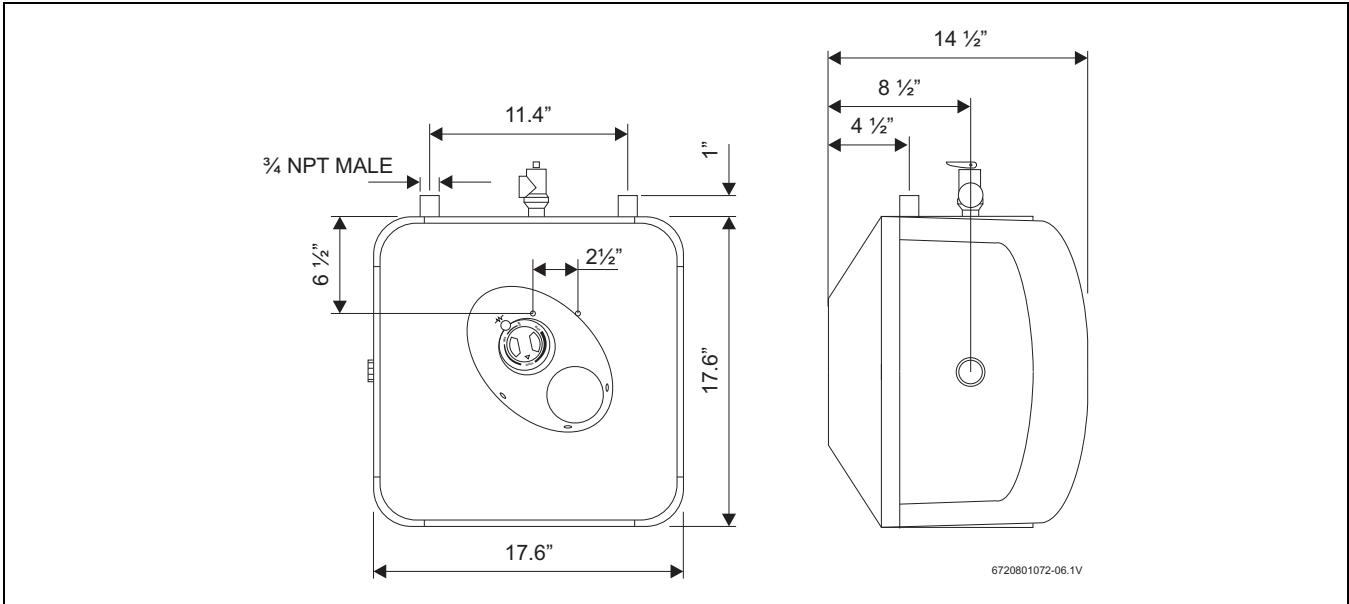


Fig. 6

Models ES8 (Horizontal installation)

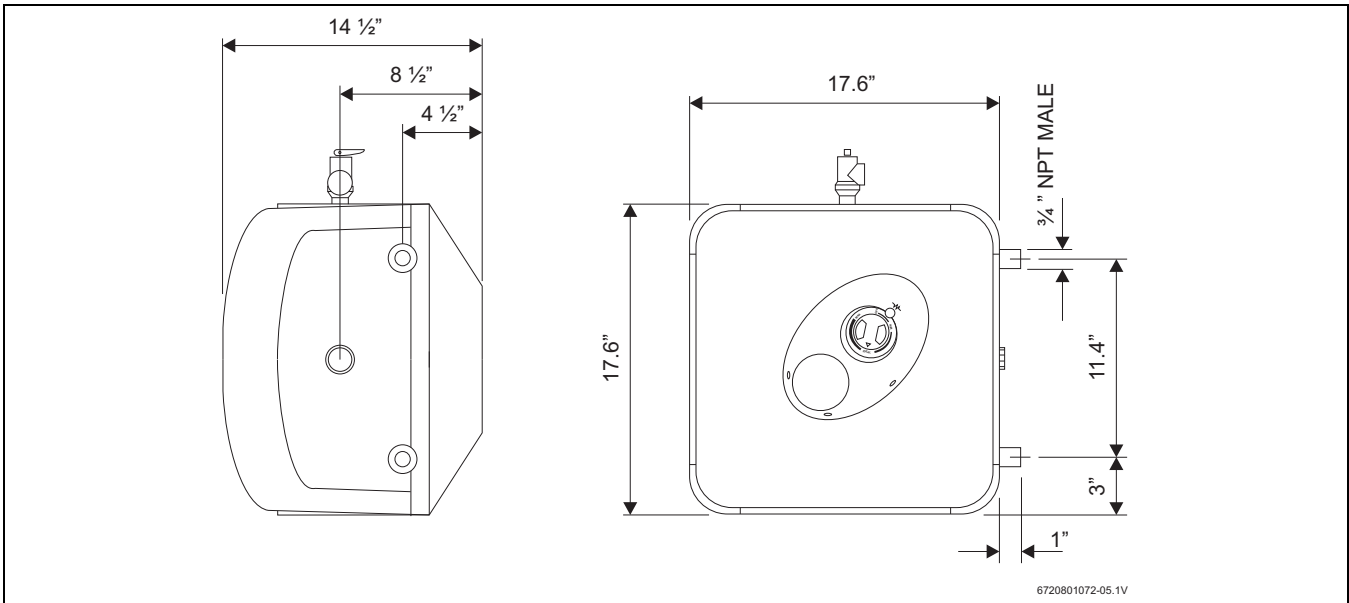


Fig. 7

2.3 Technical data

Technical data	Units	ES 2.5	ES 4	ES 8
Capacity	gallons	2.7	4.0	7.0 (Vert) / 5.1 (Hor)
Voltage	VAC	110/120 for each model		
Power at 120 VAC	Watts	1440		
Maximum water pressure	psi	150		
Weight (empty)	Lbs	15.5	17.3	29.5
Amperage	Amps	12.0 for each model		
Phases		1		
Temperature range	°F	65 - 145		
Recovery rate	gallons/hour	6.8		

Table 2

3 Installation instructions



The ES2.5 and ES4 water heaters are designed to be installed under the sink.

3.1 Mounting the heater

3.1.1 Wall mounting

- ▶ Fasten the supplied mounting bracket to the wall.



NOTICE: Material damages!

Use screws that are suitable for the wall material and the weight of the heater.

- ▶ Hang the water heater on the bracket.
- ▶ Tug down wards on the heater to ensure that both "fingers" of the bracket are seated in the mounting slots.

3.1.2 Floor mounting

- ▶ Heater can sit on floor.

3.2 Pipe connections

- ▶ Connect the cold water inlet pipe to the inlet tapping (marked with a blue ring).
- ▶ Ensure a isolation valve is installed on the cold water supply to the water heater.
- ▶ Connect the hot water outlet pipe to the outlet tapping (marked with a red ring).



The model ES8 can be piped horizontally from the side or vertically from the top.

Horizontal installation - ES8 Model Only

If you wish to install the unit horizontally, with the piping connections on the right side:

- ▶ Install supplied brass plug into tap between hot and cold water connections.
- ▶ The supplied Temperature and Pressure Relief Valve will need to be installed on top. See location of T&P relief valve in Fig. 7.

Vertical installation

If you wish to install the unit vertically, with the piping connections on top:

- ▶ Install supplied brass plug into tap on side of water heater.
- ▶ The supplied Temperature and Pressure Relief Valve will need to be installed on top. See location of T&P relief valve in Fig. 5 and 6.

Caution



CAUTION:

To reduce the risk of excessive pressures and temperatures in this water heater:

- ▶ Install the supplied temperature and pressure protective equipment required by local codes but not less than a combination temperature and pressure relief valve certified by a nationally recognized testing laboratory that maintains periodic inspection of production of listed equipment or materials, as meeting the requirements for Relief Valves and Automatic Gas Shut-off Devices for Hot Water Supply Systems, ANSIZ21.22.

The supplied temperature and pressure relief valve is marked with a maximum set pressure (150 psi) that does not exceed the marked maximum working pressure of the water heater.

- ▶ Install the valve in the opening provided and marked for this purpose in the water heater.
- ▶ Orient it or provide tubing so that any discharge from the valve will exit within 6 inches above, or at any distance below, the structural floor, and cannot contact any live electrical part. The discharge opening must not be blocked or reduced in size under any circumstances.

National Plumbing codes may require a drain pan for the water heater installation. Failure to install one is the sole responsibility of owner and/or installer. Reference UPC (Uniform Plumbing Code), or IPC (International Plumbing Code).

3.3 Closed system thermal expansion

Periodic discharge of the temperature and pressure relief valve or failure of the element gasket may be due to thermal expansion in a closed water supply system. The water utility supply meter may contain a checkvalve, backflow preventer or waterpressure reducing valve which will create a closed water system.

During the heating cycle of the water heater, the water expands causing pressure inside the water heater to increase. The temperature and pressure relief valve may discharge hot water under these conditions which results in a loss of energy and a build-up of lime on the relief valve seat.

To prevent this from happening, there are two recommendations:

1. Install a diaphragm-type expansion tank that is suitable for potable water on the cold water supply line. A minimum 0.5 gallon expansion tank should be used.

Contact the local water supplier or plumbing inspector for information on how to control this situation. Do not plug the temperature and pressure relief valve.

3.4 Electrical connections

The ES8 model must be hard wired. As per the National Electric Code the ES8 needs to be wired with 12 GA. wire to a 20 amp branch circuit.

- ▶ Unscrew the junction box cover and remove it.
- ▶ Insert 12 AWG through conduit into junction box and secure with conduit strain relief (not supplied).
- ▶ Connect the wires and screw on the cover of the junction box.
- ▶ Make appropriate wiring connections to the water heater per the National Electric Code.

The unit must be grounded with supplied grounding cable inside junction box.

- ▶ Secure junction box cover once wiring connections have been made.

When the ES8 is not within sight of the electrical circuit breakers, a circuit breaker lockout or additional local means of disconnection for all non grounded conductors must be provided that is within sight of the appliance. [REF NEC 422.31].

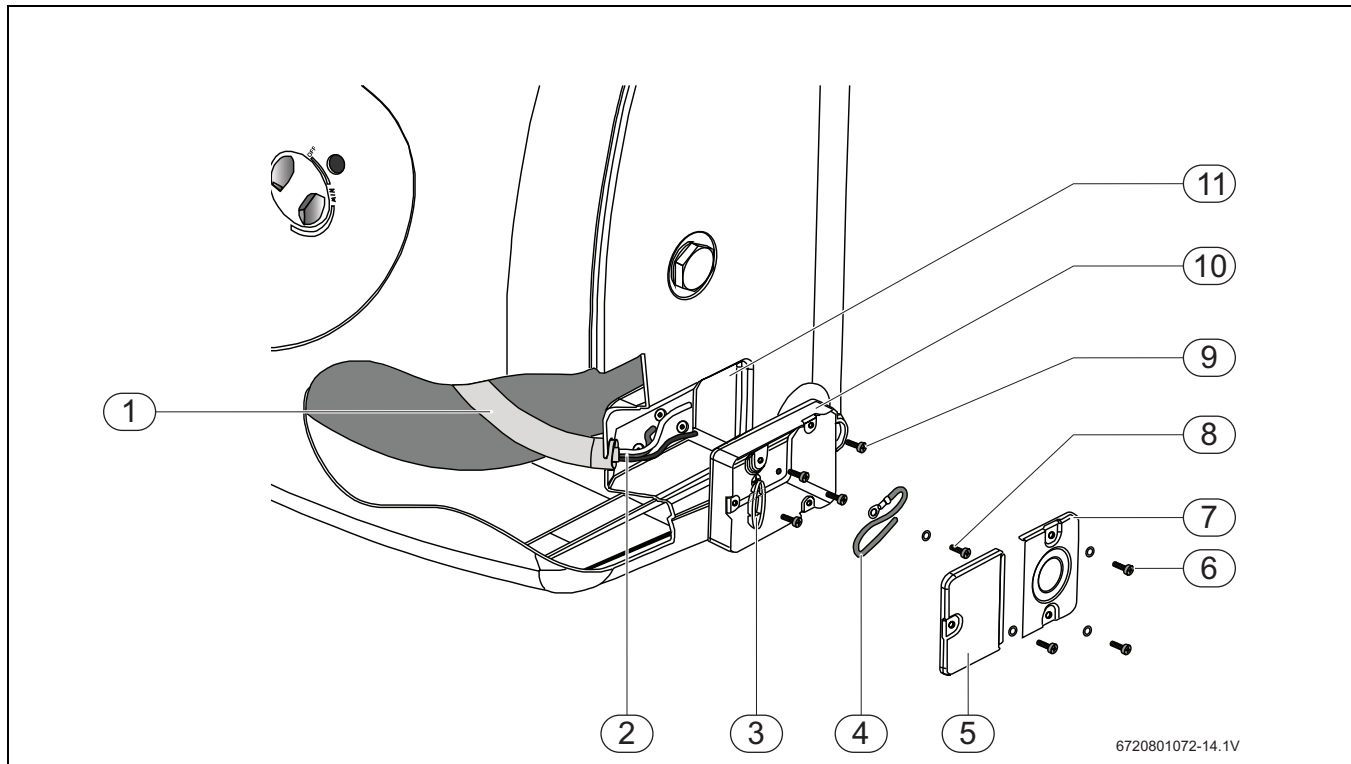


Fig. 8

- [1] Cable housing (internal to the unit)
- [2] Wiring
- [3] Protection ring for wiring.
- [4] Additional grounding cable AWG16 (minimum length 152mm)
- [5] Junction box left cover
- [6] №3 self tapping screw for junction box covers fixing (with lock washer or serrated head)
- [7] Junction box right cover
- [8] №1 self tapping screw for grounding (with lock washer or serrated head)
- [9] №4 screws for junction box fixing
- [10] Junction box
- [11] Housing for junction box (in the plastic front cover)

Turning heater on

For models which are not fitted with a switch:

- ▶ Supply power to the water heater by plugging in the power cord (models ES2.5, ES4) or turning on the circuit breaker (model ES8). If the light does not come on, turn the control knob in a clockwise direction. The light will come on until water temperature has reached the thermostat temperature setting. The light will come back on any time the water temperature inside the tank drops below the thermostat setting.

4.2 Temperature setting

The temperature of the hot water is adjusted by rotating the knob M (Fig. 9) located on the front cover. Temperature range is 65 - 145 °F.

- ▶ Turn the knob clockwise to increase temperature.
- ▶ Turn the knob counter-clockwise to decrease temperature.

4 Use

4.1 Starting and testing



CAUTION:

- ▶ DO NOT supply power to water heater until filled with water.

To fill the heater:

- ▶ Open supply valve for water heater to fill with water.
- ▶ Open hot water tap(s) supplied by the water heater to purge air out of the system. Once air is purged, close hot water tap.
- ▶ Visually check for any leaks.

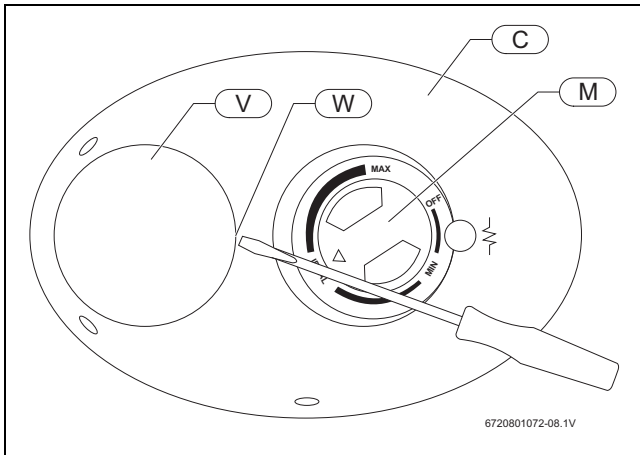


Fig. 9

5 Maintenance



CAUTION:

Do not attempt to repair this water heater yourself. Call a service person for assistance. Always turn off the power supply to the heater prior to servicing or draining the heater.

Periodic maintenance



For most of these operations, the water will have to be drained from the heater. For all of these operations the cord should be disconnected (ES2.5 and ES4 only) and the front cover removed.

5.1 Removing the cover

- ▶ Pry off the round cover plate (Fig. 9, [V]) from its right hand edge (Fig. 9, [W]) with a small flat-head screwdriver.
- ▶ Remove the Phillips screw revealed beneath the round cover plate.
- ▶ The cover (Fig. 9, [C]) can now be removed by pulling out its left-hand edge. When reassembling, work in the opposite way being careful to insert the tongue of the cover into the slot.

5.2 Draining the heater

If the heater has been installed with flexible hoses:

- ▶ Shut off the power supply.
- ▶ Turn the heater upside down over a sink to drain the water out of it.

-or-

it can also be emptied by:

- ▶ Siphon through the inlet side hose.
- ▶ Keep a hot water faucet open while siphoning.

-or-

If the heater has been installed with rigid piping:

- ▶ Siphon the water out through any (lower) service valve on the (inlet side).
- ▶ Keep a hot water faucet open while siphoning the water out.

5.3 Inspecting the anode rod

The purpose of the anode rod (Fig. 12, [N]) is to protect the tank against corrosion. It is critical that the anode rod be inspected once a year to determine whether it requires replacement. To access the anode rod, the heating element must be removed (see Section 5.4 Removing the heating element). Upon inspection, the anode rod surface should

appear smooth. If the rod surface appears pitted, bumpy, rusty, or if the rod is missing completely, then it must be replaced.

To access the anode rod:

- ▶ Remove the heating element (see Section 5.4 Removing the heating element).

Original anode rod sizes

- ES2.5, ES4: length 6½", diameter 5/8"
- ES8: length 8¼", diameter 5/8"

Certain installations may require more frequent replacement of the anode rod:

- recirculation applications;
- poor water quality;
- galvanic/electrolytic corrosion
- high flow applications

In the event of poor water quality, Bosch recommends consulting a local water treatment professional for water treatment options. Always ensure the water heater is grounded. Models ES2.5 and ES4 must be connected only to a properly grounded outlet. **Damage resulting from poor water quality or failure to replace the anode rod is not covered under the manufacturer's warranty.** For additional questions, please call Bosch Technical Service.

5.4 Removing the heating element

- ▶ Turn off power supply and drain the heater (see previous section).
- ▶ Remove the front cover plate, disconnect terminals X, Y and T (Fig. 10).
- ▶ Unscrew the 4 heating element retaining nuts F (Fig. 10).
- ▶ Remove thermostat temperature sensor from well [B] located on the element assembly (Fig. 10).
- ▶ Remove the element G (Fig. 11).

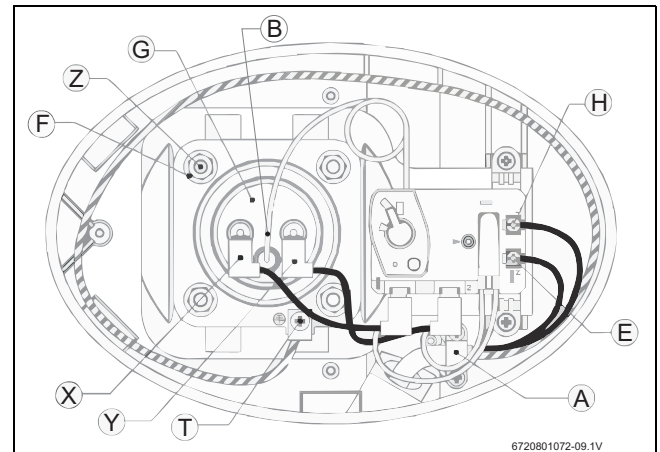


Fig. 10

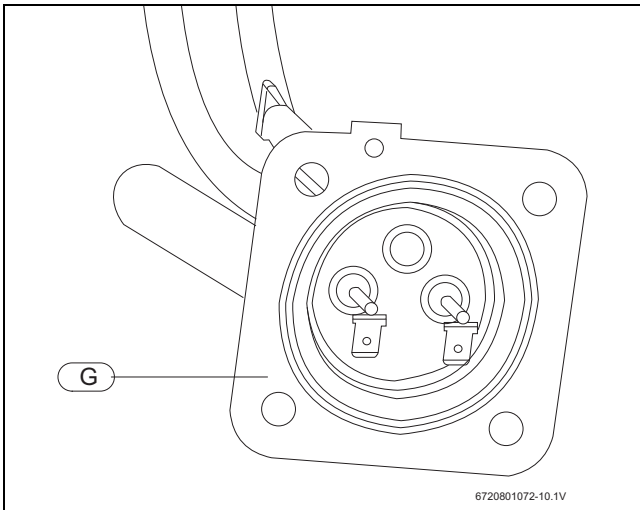


Fig. 11

5.5 Descaling the heating element

Scale deposits can affect the heating capability of the element. Heavy scale can even cause damage to the element. The element can be descaled either chemically or manually:

- ▶ Soak the element in white vinegar or other descaling solution.
- ▶ Once descaled, rinse well with fresh water, to which you should add some baking soda,

-or-

- ▶ Once the element has dried, use a soft brush (non metallic to prevent damaging the stainless steel sheath) on element.
- ▶ Brush the dried mineral off.
- ▶ Reinstall the element with gasket and make the wire connections.

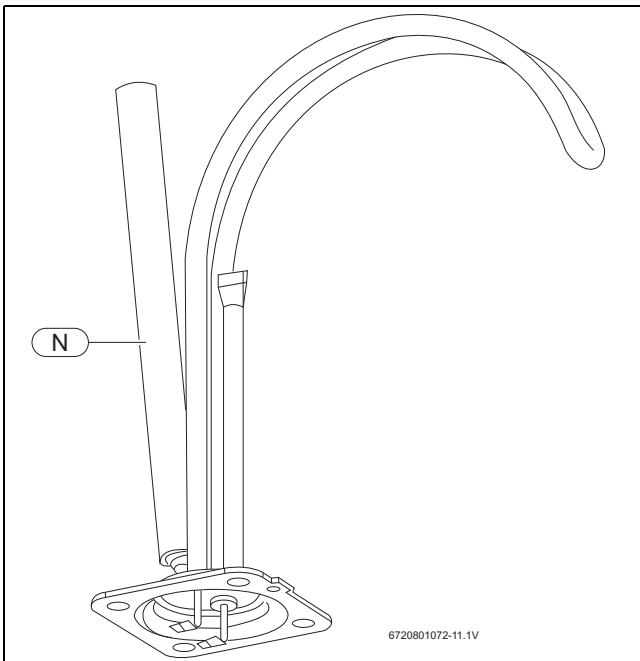


Fig. 12



NOTICE:

Make sure the tank has been refilled with water before restoring power.

6 Replacement of parts

6.1 Changing the anode rod

- ▶ Turn off the power supply and drain the heater (see Draining the Heater).
- ▶ Remove heating element (see previous section).
- ▶ Unscrew anode rod from threaded connection.
- ▶ Remove and replace the anode rod (Fig. 12, [N]).
- ▶ Reinstall heating element.
- ▶ **Refill tank with water before restoring power.**

6.2 Changing the heating element

- ▶ Turn off power supply and drain the heater (see Draining the Heater).
- ▶ Remove the heating element (see section on Removing the Heating Element).
- ▶ Install new element with gasket, making sure the gasket and element are positioned correctly. Tighten the retaining nuts and make the wire connections.
- ▶ Ensure that the thermostat temperature sensor is inserted into the well located on the element assembly and secured with black rubber grommet.
- ▶ **Refill tank with water before restoring power.**

6.3 Changing the thermostat

- ▶ Turn off power supply.
- ▶ Disconnect the 2 wire connectors on thermostat.
- ▶ Loosen the two brass screws at right side of thermostat and pull wires out.
- ▶ Remove thermostat temperature sensor from well located in element assembly.
- ▶ Unscrew and remove the two Phillips screws holding the thermostat onto the tank.
- ▶ Install new thermostat and re-attach wiring and screws.
- ▶ Ensure that the thermostat temperature sensor is inserted into the well located on the element assembly and secured with black rubber grommet.

7 Troubleshooting

Problem	Solution
Water does not get hot.	Make sure the power supply is on and working.
	If light does not come on, check that the high limit reset button is pushed in; follow steps in section 7.1.
	If the indicator light works properly but temperature does not get hot at the tap, test for a plumbing crossover; shut off cold supply to heater and open hot water tap. There should be no water flowing. Any continued flow indicates a crossover which will effect the temperature and will need to be corrected.
	Call a qualified service technician to test the resistance of the heating element (8-10 ohms). Heating element should be replaced if readings are outside these values.
Light not on.	If the light does not come on, but water gets hot, check for faulty bulb.
	Check high limit reset button; follow steps in section 7.1;
Brown water.	Brown or rusty water indicates a “spent” anode rod and possible deterioration of the tank body. Inspect the tank for leaks. Check anode rod (see section on changing the anode rod).
Odor in water.	Smelly water could be due to an unusual reaction between local water and the heater’s anode rod. Check anode rod (see section on changing the anode rod). Failure to do so may result in damage to the tank and leaks.
Leaking.	Check water fittings and T & P fitting on top of tank.
	Remove front cover and inspect heating element gasket.
	If tank is leaking call Bosch Water Heating for warranty claim if still within warranty period.
	Check anode rod (see section on changing the anode rod)

Table 3

7.1 Resetting High Limit Switch

Occasionally, the high temperature limit shut off device may trip the reset. This occurs when water temperature exceeds 190 °F. The shut off device may also trigger from a power outage or electrical storm.

To reach the thermostat:

- ▶ Disconnect power cord (or shut off circuit breaker - model ES8) and remove the front cover.
- ▶ Firmly press reset button (Fig. 13, [B]) with the tip of a ball point pen or similar object.

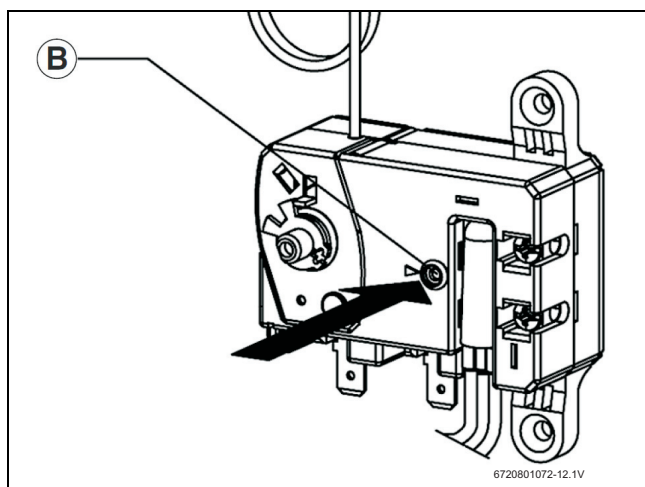


Fig. 13

A click indicates the reset was tripped.

- ▶ Reconnect power.

IMPORTANT: Check the operation of the thermostat:

- ▶ Turn temperature dial from high to low.
If the red light does not go off on low setting:
- ▶ Turn off power supply and call a service person to replace the thermostat.
If the red light does go off the thermostat is working well:

- ▶ Place dial setting to desired setting.



A lower setting is more economical and reduces the risk of scalding.

- ▶ Replace cover plate.



CAUTION:

Call a technician if the high limit needs to be reset frequently.

8 Bosch interior components diagram

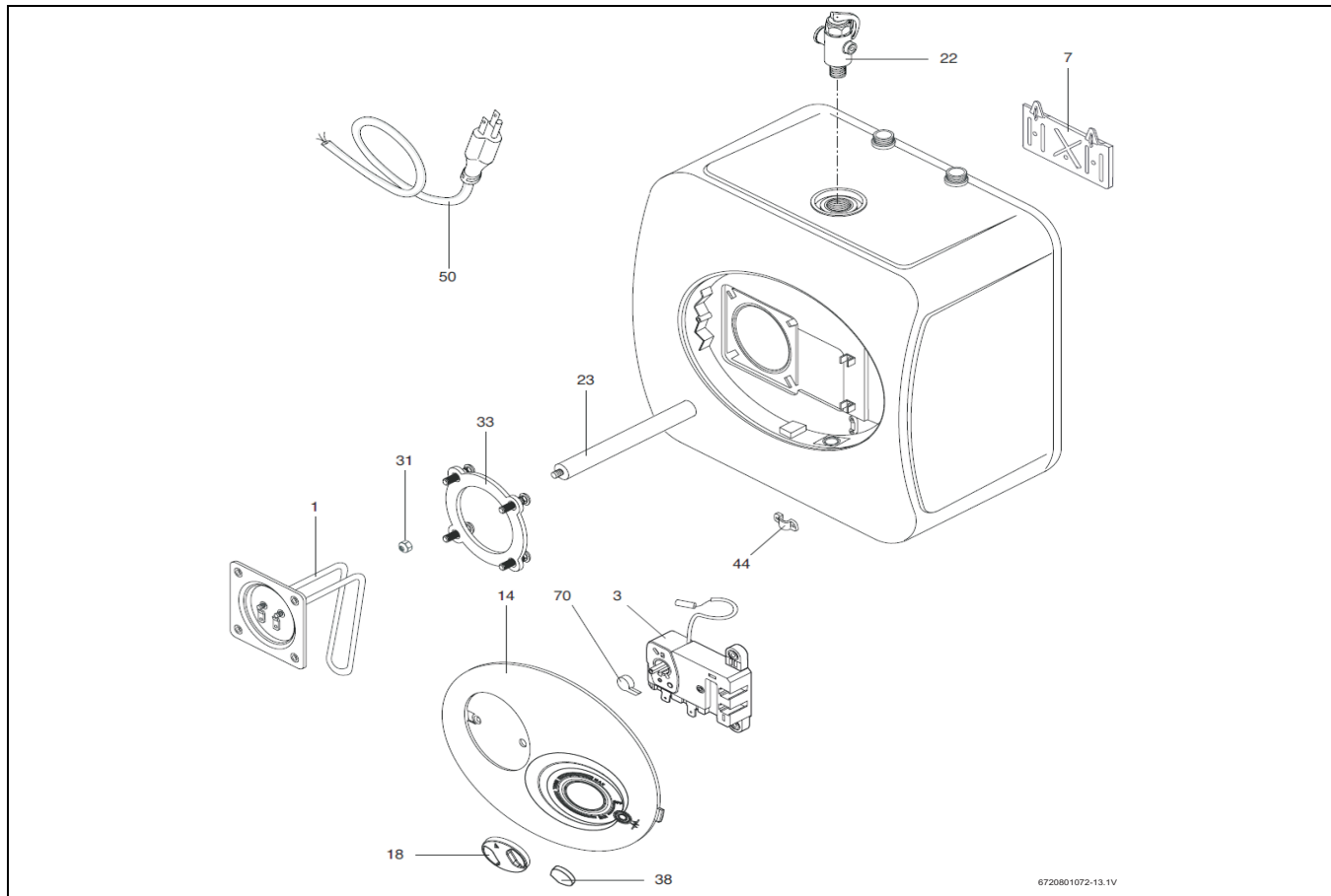


Fig. 14

Part	Description	TTNR	Model
1	HEATING ELEMENT 1440W	8 738 704 439 0	ES 2.5 / ES 4
	HEATING ELEMENT 1440W	8 738 704 440 0	ES 8
3	WIRED THERMOSTAT	8 738 704 441 0	ES 2.5 / ES 4
	WIRED THERMOSTAT	8 738 704 442 0	ES 8
7	HEATER WALL HANGING BRACKET	8 738 704 443 0	ES 2.5 / ES 4 / ES 8
14	PLASTIC COVER	8 738 704 446 0	ES 2.5 / ES 4 / ES 8
18	KNOB	8 738 704 444 0	ES 2.5 / ES 4 / ES 8
22	VALVE T&P ¾	8 738 704 445 0	ES 2.5 / ES 4 / ES 8
23	MAGNESIUM ANODE D:14 L:155 M4	8 738 704 447 0	ES 2.5 / ES 4
	MAGNESIUM ANODE D:16 L:195	8 738 704 448 0	ES 8
31	LOCK NUT M6	8 738 704 449 0	ES 2.5 / ES 4 / ES 8
33	GASKET WITH 4 BOLTS	8 738 704 450 0	ES 2.5 / ES 4 / ES 8
38	SIGNAL LAMP CAP	8 738 704 451 0	ES 2.5 / ES 4 / ES 8
44	CABLE CLAMP	8 738 704 452 0	ES 2.5 / ES 4 / ES 8
50	POWER CABLE	8 738 704 453 0	ES 2.5 / ES 4
70	LEVER THERMOSTAT	8 738 704 454 0	ES 2.5 / ES 4 / ES 8

Table 4

9 Bosch Tronic 3000T LIMITED WARRANTY

MODELS COVERED

This limited warranty is provided by Bosch Thermotechnology Corp. ("BTC") and covers Bosch Tronic 3000T water heater Models ES2.5, ES4 and ES8 (hereinafter referred to as "Water Heater"). This warranty is provided to the original purchaser of the Water Heater as long as the Water Heater remains installed at its original place of installation.

WARRANTY COVERAGE

Limited Warranty

Water Heater Inner Tank ("Inner Tank") - BTC warrants that the Inner Tank shall remain free of leaks for six (6) years from the date of installation or from date of manufacture if proof of installation is not available, provided it is properly installed and maintained and the other conditions of this warranty are met. If BTC determines that the Product has a defect in workmanship or materials, BTC, at its option, will repair or replace the defective part.

Other Water Heater Components ("Other Components") - BTC warrants that Other Components will remain free from defects in workmanship and materials for two (2) years from date of original installation or from date of manufacture if proof of installation is not available.

ITEMS NOT COVERED

This limited warranty does not cover the following circumstances:

1. Components or parts not provided by BTC.
2. Scratches in or discoloration of finishes.
3. Serviceable items and normal maintenance as required per the Installation and Maintenance Manual.
4. The workmanship of any installer. BTC disclaims and does not assume any liability of any nature for unsatisfactory performance caused by improper installation, repair or maintenance.
5. Any labor or material costs for removal, reinstallation, repair and replacement of the defective component or part.
6. Electricity or fuel costs, or any increases or unrealized savings in same, for any reason whatsoever.
7. Damage caused by abuse, accident, neglect, excessive temperatures or pressures, electrochemical reaction, water and air impurities, electrical failures, flooding or acts of God.
8. Damage caused by lack of maintenance of anode rod. See Installation Manual for details.
9. Shipping charges, delivery expenses or administrative fees incurred by the purchaser in repairing or replacing the Water Heater.

CONDITIONS OF WARRANTY

The warranty herein is void under the following circumstances:

1. Failure or malfunction resulting from improper or negligent operation, accident, abuse, freezing, electrical imbalance characteristics, misuse, unauthorized alteration, incorrect electrical supply, electrical surges, or improper installation, repair or maintenance. Failure to maintain the anode rod. See the Installation and Maintenance Manual for installation and maintenance information.
2. Failure or malfunction resulting from a contaminated or corrosive water supply, the addition of unapproved chemicals, operation at abnormal temperatures, pressures or flow rates, or any attachment, accessory or component not authorized and approved by BTC. See the Installation and Maintenance Manual for installation and maintenance information.

3. Failure or malfunction resulting from operation of Water Heater not supplied with potable water or is operated with water that may cause deposits or corrosion.
4. Work performed without prior authorization or approval and without authorization/requisition number and without proper documentation verifying compliance with above terms.

LIMITED WARRANTY

OTHER THAN THE OBLIGATIONS OF BTC EXPRESSLY SET FORTH HERIN, BTC DISCLAIMS ALL WARRANTIES, EXPRESS OR IMPLIED, INCLUDING BUT NOT LIMITED TO ANY IMPLIED WARRANTIES OF MERCHANTABILITY OR FITNESS FOR A PARTICULAR PURPOSE. BTC'S SOLE OBLIGATION WITH RESPECT TO THE PRODUCT AND PURCHASER'S EXCLUSIVE REMEDIES ARE SET FORTH IN THE FOREGOING LIMITED WARRANTY. BTC SHALL NOT BE LIABLE FOR ANY INDIRECT, PUNITIVE, INCIDENTAL, SPECIAL, CONSEQUENTIAL OR SIMILAR DAMAGES INCLUDING, WITHOUT LIMITATION, INJURY OR DAMAGE TO PERSONS OR PROPERTY OR DAMAGES FOR LOSS OF USE, LOST PROFITS, INCONVENIENCE OR LOSS OF TIME.

NOTE THAT ANY REPAIRED OR REPLACED PRODUCT WILL BE WARRANTED FOR ONLY THE UNEXPIRED TERM OF THE ORIGINAL WARRANTY.

Some states do not allow the exclusion of limitation of damages, or limitations on how long an implied warranty lasts, so the above limitations and exclusions may not apply to you.

WARRANTY CLAIMS PROCESS

If you have a warranty claim you should notify the dealer who sold the Water Heater or submit the warranty claim directly to BTC at Bosch Thermotechnology Corp., 50 Wentworth Avenue, Londonderry, NH 03053. To process your claim, you will need a copy of your original invoice or other proof of purchase and documentation showing the Water Heater Model number, Serial Number, original installation date, place of purchase, and installer's name. The alleged defective components or parts must be returned to BTC in accordance with BTC procedure then in force for handling goods returned for the purpose of inspection to determine cause of failure (contact BTC if you have questions regarding the return process). If BTC determines that the returned components and/or parts are defective and that this warranty applies, BTC will furnish the repaired or replacement components and/or parts to an authorized BTC distributor who, in turn, will forward the components and/or parts to the heating contractor who installed your Water Heater.

This Warranty applies to Product installed in the Continental United States and Canada only.


Índice

1	Explicación de los símbolos e instrucciones importantes de seguridad	15
1.1	Explicación de los símbolos	15
1.2	Instrucciones importantes de seguridad	15
2	Información sobre el calentador de agua	16
2.1	Descripción general de los modelos	16
2.2	Dimensiones	18
2.3	Datos técnicos	19
3	Instrucciones de instalación	19
3.1	Montaje del calentador	19
3.2	Conexiones de tubería	19
3.3	Expansión térmica en un sistema cerrado	20
3.4	Conexiones eléctricas	21
4	Uso	21
4.1	Puesta en marcha y pruebas	21
4.2	Ajuste de la temperatura	21
5	Mantenimiento	22
5.1	Quitar la tapa	22
5.2	Drenado del calentador	22
5.3	Inspección de la barra del ánodo	22
5.4	Desmontaje del elemento de calentamiento	22
5.5	Descalcificación del elemento de calentamiento	23
6	Sustitución de piezas	23
6.1	Cambio de la barra del ánodo	23
6.2	Cambio del elemento de calentamiento	23
6.3	Cambio del termostato	23
7	Corrección de problemas	24
7.1	Reajuste del interruptor de alto límite	25
8	Diagrama de los componentes internos Bosch	25
9	BOSCH ES 2.5/4/8... • GARANTÍA LIMITADA DE 8 AÑOS ..	26

1 Explicación de los símbolos e instrucciones importantes de seguridad

1.1 Explicación de los símbolos

Advertencias




Las advertencias están marcadas en el texto con un triángulo. Adicionalmente las palabras de señalización indican el tipo y la gravedad de las consecuencias que conlleva la inobservancia de las medidas de seguridad indicadas para evitar riesgos.

Las siguientes palabras de señalización están definidas y pueden utilizarse en el presente documento:

- **AVISO** advierte sobre la posibilidad de que se produzcan daños materiales.
- **ATENCIÓN** advierte sobre la posibilidad de que se produzcan daños personales de leves a moderados.
- **ADVERTENCIA** advierte sobre la posibilidad de que se produzcan daños personales de graves a mortales.
- **PELIGRO** advierte sobre daños personales de graves a mortales.

Información importante




La información importante que no conlleve riesgos personales o materiales se indicará con el símbolo que se muestra a continuación.

Otros símbolos

Símbolo	Significado
▶	Procedimiento
→	Referencia cruzada a otro punto del documento
•	Enumeración/punto de la lista
-	Enumeración/punto de la lista (2.º nivel)


Tab. 5

1.2 Instrucciones importantes de seguridad




ATENCIÓN:
Al utilizar aparatos eléctricos, para reducir el riesgo de incendio, descarga eléctrica y lesiones corporales, se deben seguir precauciones básicas de seguridad, incluyendo las siguientes:


- ▶ LEA TODAS LAS INSTRUCCIONES ANTES DE USAR ESTE CALENTADOR DE AGUA.
- ▶ Este calentador de agua debe estar conectado a tierra. Conéctelo solamente a una toma de corriente debidamente conectada a tierra. Consulte el apartado "INSTRUCCIONES DE CONEXIÓN A TIERRA" en la sección "INSTRUCCIONES DE INSTALACIÓN".
- ▶ Sólo instale o ubique este calentador de agua de conformidad con las instrucciones de instalación suministradas.
- ▶ Utilice este calentador de agua sólo para el uso especificado, según se describe en este manual.
- ▶ Los modelos ES2.5 y ES4 vienen equipados con un cable de alimentación. No use un cable de extensión. Si no hay ninguna toma de corriente adyacente al calentador de agua, comuníquese con un electricista calificado para que instale una correctamente cerca del calentador. El modelo ES8 requiere una conexión alámbrica de instalación permanente. Consulte las instrucciones de instalación.
- ▶ Como en el caso de cualquier aparato eléctrico, es necesaria una estrecha supervisión cuando la unidad sea utilizada por niños.
- ▶ No utilice este calentador de agua si el cable o el enchufe están dañados, si no funciona correctamente o si ha sido dañado o sufrido una caída.
- ▶ Solamente personal de servicio calificado debe dar servicio a este calentador de agua. Para todo examen, reparación o ajuste de la unidad, llame a un técnico de servicio.
- ▶ Si no se sustituye la barra del ánodo al menos una vez por año, puede causar que el tanque presente fallas y fugas de agua. Este problema no está cubierto por la garantía del fabricante.
- ▶ Todo calentador de agua debe instalarse de una manera tal que si llegara a tener una fuga de agua, el flujo de agua resultante no cause daños en el área donde esté instalado.
- ▶ Los Reglamentos Nacionales de Fontanería requieren la instalación de una bandeja colectora. Si no se instala una, es responsabilidad del propietario y/o instalador. Consulte el documento UPC 2006 - Reglamento Uniforme de Fontanería ("Uniform Plumbing Code") Sección 508.1, o el documento IPC 2006 - Reglamento Internacional de Fontanería ("International Plumbing Code") Sección 504 - 7



AVISO:
El instalador debe estudiar el contenido de este manual con el propietario al terminar la instalación. El manual debe quedarse con el propietario y debe guardarse en un lugar cercano al lugar de instalación.



AVISO:
El fabricante no puede ser responsable de ningún daño causado por una instalación incorrecta o por no seguirse las instrucciones señaladas en este manual. Siga las instrucciones de instalación antes de realizar la conexión eléctrica.



AVISO:
El termostato ha sido pre-configurado de fábrica a una temperatura igual o inferior a 51,7 °C (125 °F) (Vea Fig. 1).

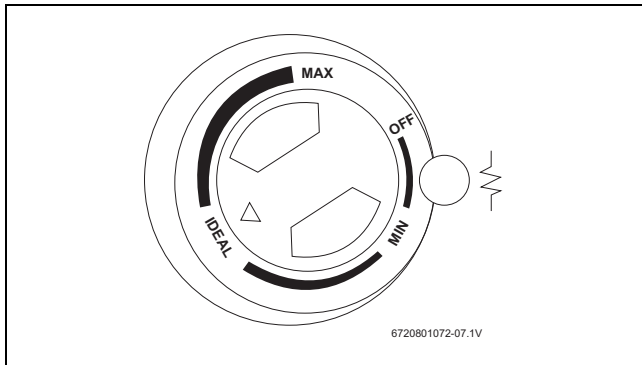


Fig. 1



ATENCIÓN:

Puede generarse gas de hidrógeno en un sistema de agua caliente alimentado por este calentador que no haya sido usado durante un largo período (generalmente dos semanas o más). El gas de hidrógeno es sumamente inflamable. Para reducir el riesgo de lesiones en estas condiciones, se recomienda abrir la llave de agua caliente durante varios minutos antes de usar cualquier aparato eléctrico conectado al sistema de agua caliente. Si hay presente gas de hidrógeno, probablemente habrá un sonido inusual como el del aire al escaparse a través de un tubo cuando comienza a fluir el agua. En este momento no debe haber humo ni ninguna flama abierta cerca de la llave cuando está abierto.



ATENCIÓN:

Todo calentador de agua debe instalarse de una manera tal que si llegara a tener una fuga de agua, el flujo de agua resultante no cause daños en el área donde esté instalado. Los Reglamentos Nacionales de Fontanería requieren la instalación de una bandeja colectora. Si no se instala una, es responsabilidad del propietario y/o instalador. Consulte el documento UPC 2006 - Reglamento Uniforme de Fontanería ("Uniform Plumbing Code") Sección 508.1, o el documento IPC 2006 - Reglamento Internacional de Fontanería ("International Plumbing Code") Sección 504 - 7.



ATENCIÓN:

► Antes de conectar la fuente de alimentación, asegúrese de que el tanque esté lleno de agua y que se ha purgado el aire del sistema.



ATENCIÓN:

► Daños en el tanque debido al descuido de mantener la barra del ánodo no está cubierto por la garantía (véase la Sección 5 Mantenimiento).

2 Información sobre el calentador de agua

2.1 Descripción general de los modelos

Modelos ES2.5 y ES4

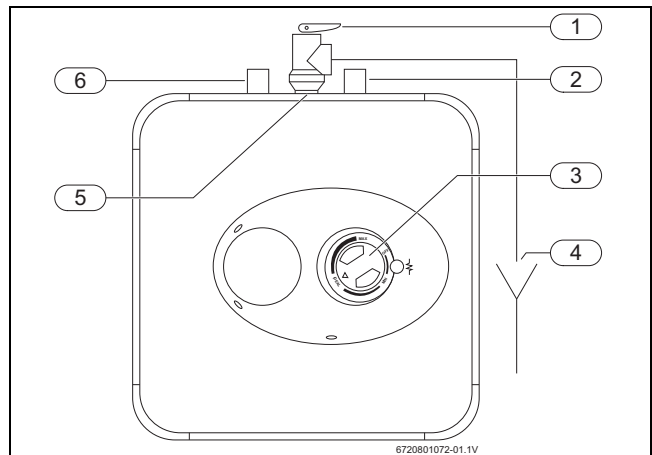


Fig. 2

- [1] Válvula de alivio de temperatura y presión, rosca macho NPT de 3/4"
- [2] Entrada de agua fría, rosca macho NPT de 1/2"
- [3] Termostato
- [4] Conducto de descarga de la válvula de alivio de temperatura y presión al drenaje
- [5] Rosca hembra NPT de 3/4" para la válvula de alivio
- [6] Toma de agua caliente, rosca macho NPT de 1/2"

Modelos ES8 (Instalación horizontal)

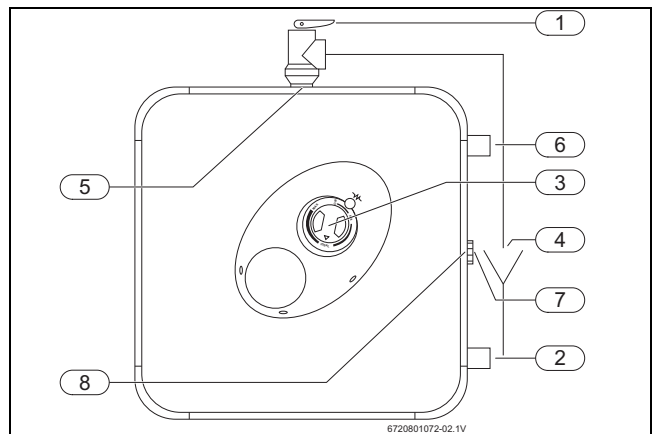


Fig. 3

- [1] Válvula de alivio de temperatura y presión, rosca macho NPT de 3/4"
- [2] Entrada de agua fría, rosca macho NPT 1/2"
- [3] Termostato
- [4] Conducto de descarga de la válvula de alivio de temperatura y presión al drenaje
- [5] Rosca hembra NPT de 3/4" para la válvula de alivio
- [6] Toma de agua caliente, rosca macho NPT 1/2"
- [7] Tapón con rosca macho NPT de 3/4"
- [8] Rosca hembra NPT de 3/4" para la llave

Modelos ES8 (Instalación vertical)

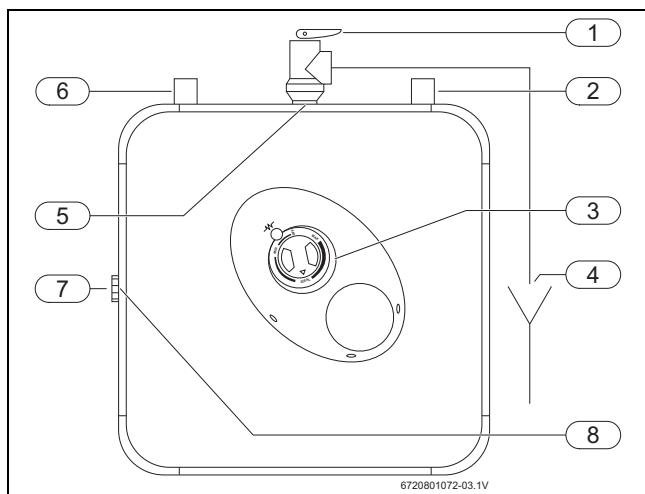


Fig. 4

- [1] Válvula de alivio de temperatura y presión, rosca macho NPT de $\frac{3}{4}$
- [2] Entrada de agua fría, rosca macho NPT $\frac{1}{2}$
- [3] Termostato
- [4] Conducto de descarga de la válvula de alivio de temperatura y presión al drenaje
- [5] Rosca hembra NPT de $\frac{3}{4}$ para la válvula de alivio
- [6] Toma de agua caliente, rosca macho NPT $\frac{1}{2}$
- [7] Tapón con rosca macho NPT de $\frac{3}{4}$
- [8] Rosca hembra NPT de $\frac{3}{4}$ para la llave

2.2 Dimensiones

Modelos ES2.5 y ES4 (Sólo instalación vertical)

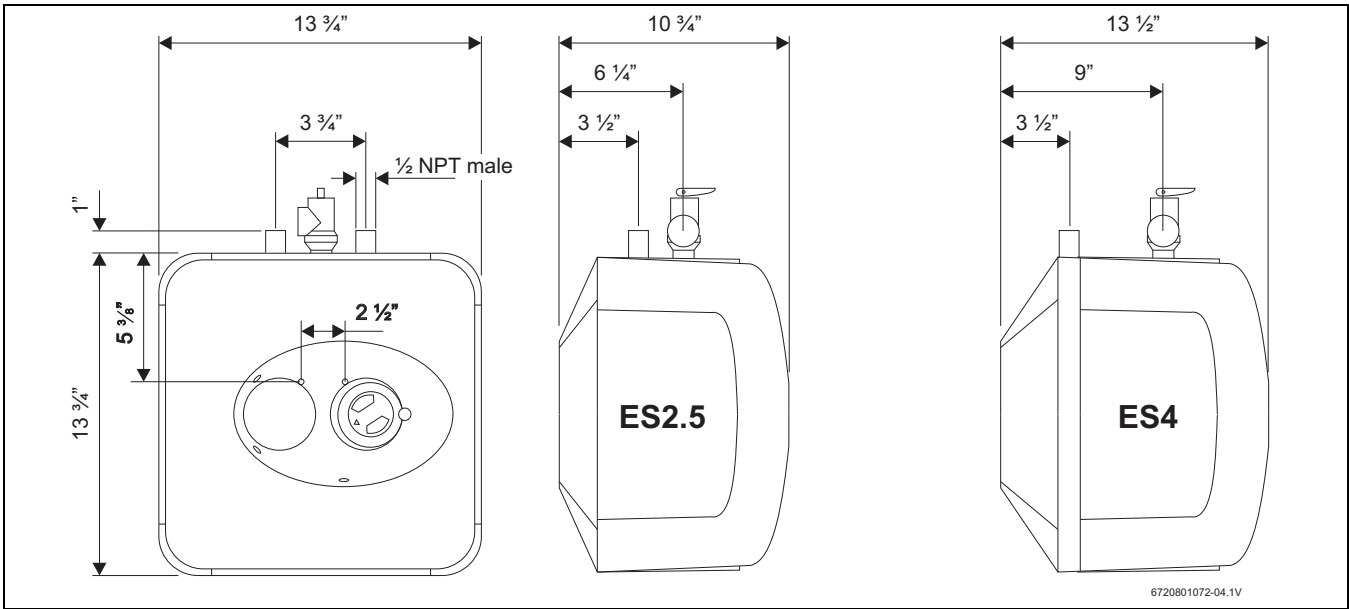


Fig. 5

Modelos ES8 (Instalación vertical)

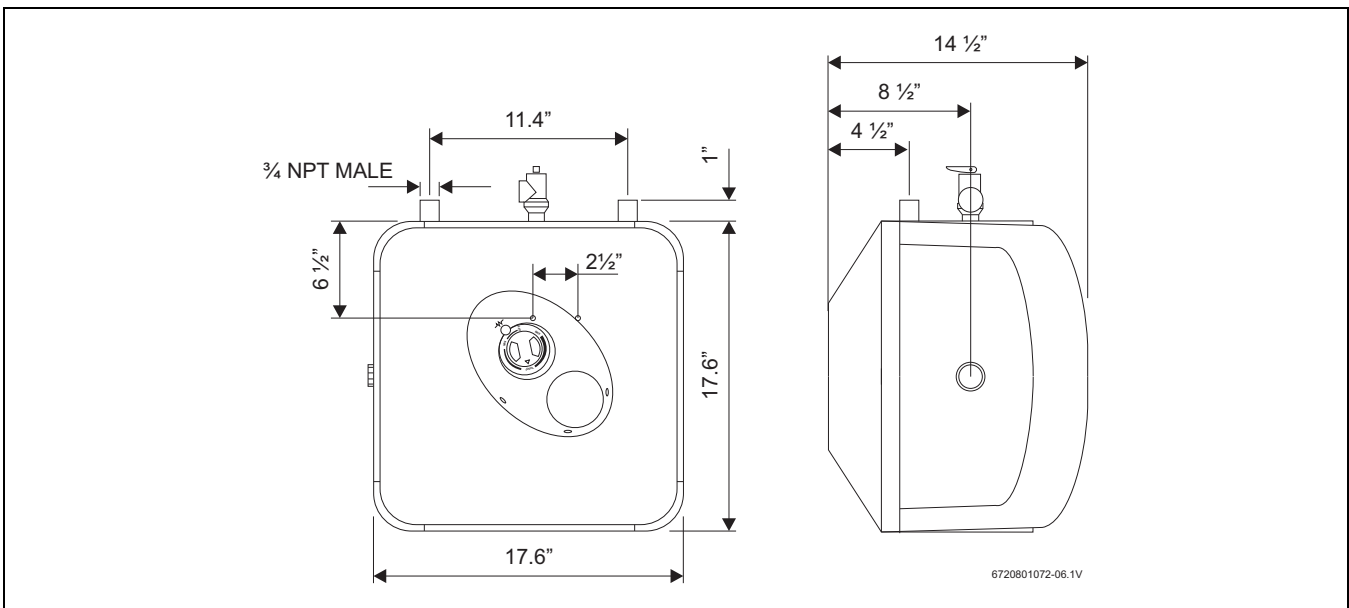


Fig. 6

Modelos ES8 (Instalación horizontal)

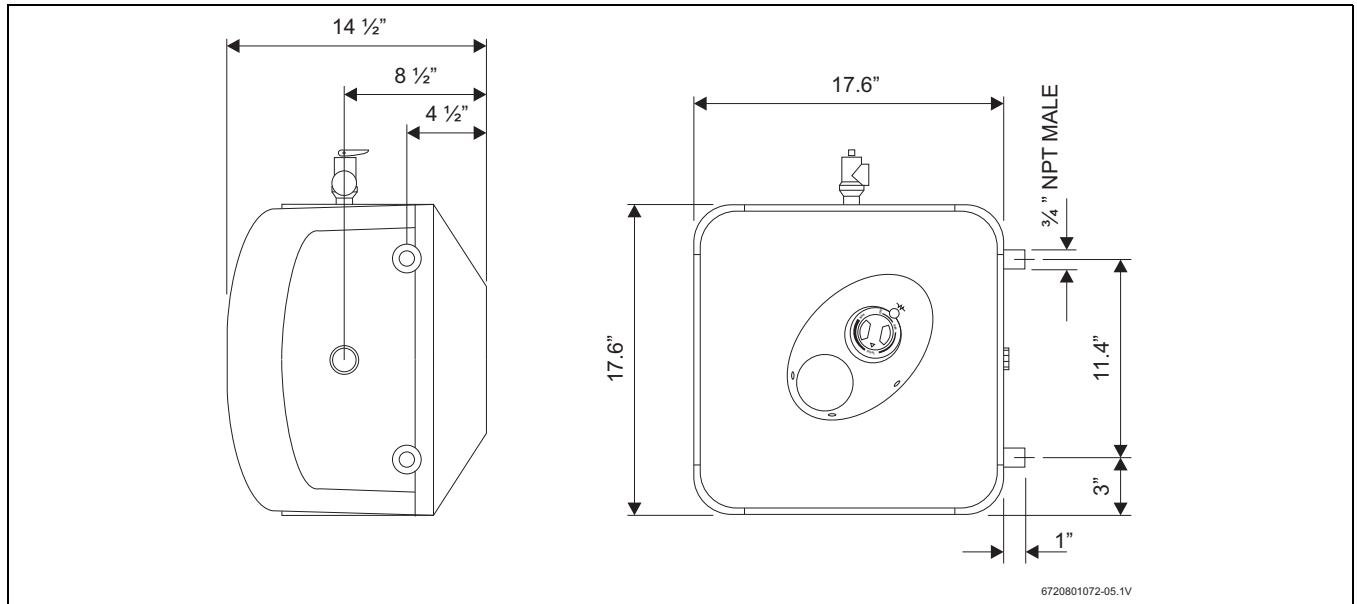


Fig. 7

2.3 Datos técnicos

Datos técnicos	Unidades	ES 2.5	ES 4	ES 8
Capacidad	galones	2.7	4.0	7.0 (Vert) / 5.1 (Hor)
Voltaje	VAC	110/120 para cada modelo		
Potencia a 120 VAC	Watts	1440		
Presión de agua máxima	psi	150		
Peso (vacío)	Lbs	15.5	17.3	29.5
Intensidad de corriente	Amps	12.0 para cada modelo		
Fases		1		
Gama de temperatura	°F	65 - 145		
Tasa de recuperación	galones/hora	6.8		

Tab. 6

3 Instrucciones de instalación



Los calentadores de agua ES2.5 y ES4 están diseñados para instalarse bajo el fregadero.

3.1 Montaje del calentador

3.1.1 Montaje en la pared

- Fije el soporte de montaje suministrado en la pared.



AVISO: Daños materiales!
Utilice tornillos apropiados para el material de la pared y para el peso del calentador.

- Coloque el calentador de agua en el soporte.
- Jale el calentador hacia abajo para asegurarse de que ambos "dedos" del soporte queden asentados en las ranuras de montaje.

3.1.2 Montaje en el piso

- El calentador puede reposar en el piso.

3.2 Conexiones de tubería

- Conecte el tubo de entrada de agua fría al tubo corto de entrada (marcado con un anillo azul).
- Asegúrese de que una válvula de aislamiento esté instalada en el suministro de agua fría al calentador.
- Conecte el tubo de salida de agua caliente al tubo corto de salida (marcado con un anillo rojo).



El modelo ES8 puede conectarse horizontalmente, por el costado o verticalmente, por la parte superior.

Instalación horizontal - sólo los modelos ES8

Si desea instalar horizontalmente la unidad, con las conexiones de la tubería en el lado derecho:

- Instale el tapón de latón suministrado en la llave situada entre las dos roscas (de agua caliente y fría).
- La válvula de alivio de temperatura y presión suministrada deberá instalarse en la parte superior. En la fig. 7 puede ver la ubicación de la válvula de alivio de T y P.

Instalación vertical

Si desea instalar verticalmente la unidad, con las conexiones de la tubería en la parte superior:

- ▶ Instale el tapón de latón suministrado en la llave situada en el costado del calentador de agua.
- ▶ La válvula de alivio de temperatura y presión suministrada deberá instalarse en la parte superior. En las Fig. 5 y 6 puede ver la ubicación de la válvula de alivio de T y P.

Precaución



ATENCIÓN:

Para reducir el riesgo de una presión o temperatura excesiva en este calentador de agua:

- ▶ Instale el equipo suministrado de protección contra temperatura y presión excesivas requerido por los reglamentos locales, por lo menos una válvula combinada de alivio de temperatura y presión certificada por un laboratorio de pruebas reconocido a nivel nacional que mantenga una inspección periódica de la producción de los equipos o materiales clasificados, de conformidad con los requisitos correspondientes a Válvulas de Alivio y Dispositivos de Cierre Automático de Gas, ANSI Z21.22.

La válvula de alivio de temperatura y presión suministrada está marcada con una presión máxima fija (150 psi) que no excede la presión de trabajo máxima marcada del calentador de agua.

- ▶ Instale la válvula en la abertura suministrada y marcada para este propósito en el calentador de agua.
- ▶ Oriéntela o instale la tubería de manera que cualquier descarga proveniente de la válvula salga dentro de una distancia de 6 pulgadas arriba, o a cualquier distancia abajo, el piso estructural, y no pueda tocar ninguna pieza eléctrica. La abertura de descarga no debe estar bloqueada ni reducida de tamaño en ninguna circunstancia.

Los Reglamentos Nacionales de Fontanería puede requieren la instalación de una bandeja colectora. Si no se instala una, es responsabilidad del propietario y/o instalador. Consulte el documento UPC 2006 - Reglamento Uniforme de Fontanería ("Uniform Plumbing Code") Sección 508.1, o el documento IPC 2006 - Reglamento Internacional de Fontanería ("International Plumbing Code") Sección 504 - 7

3.3 Expansión térmica en un sistema cerrado

Una descarga periódica de la válvula de alivio de temperatura y presión o una falla de la junta del elemento puede deberse a una expansión térmica en un sistema cerrado de suministro de agua. El medidor del servicio de suministro del agua puede contener una válvula de retención, obturador de contraflujo o válvula reductora de presión de agua que forme un sistema cerrado de agua.

Durante el ciclo de calentamiento del calentador de agua, el agua se expande y causa un aumento en la presión dentro del calentador. La válvula de alivio de temperatura y presión puede descargar agua en estas condiciones, lo cual produce una pérdida de energía y la formación de depósitos de cal en el asiento de la válvula de alivio.

Para evitar tal situación, se recomiendan dos cosas:

1. Instale un tanque de expansión tipo diafragma apropiado para agua potable en la tubería de suministro de agua fría. El tanque de expansión debe tener una capacidad mínima de 0,5 galones norteamericanos.

Si necesita información sobre la forma de controlar esta situación, comuníquese con la compañía de suministro de agua o con un inspector de fontanería de la localidad. No tape la válvula de alivio de temperatura y presión.

3.4 Conexiones eléctricas

El modelo ES8 requiere una conexión alámbrica de instalación permanente. Según el Código Eléctrico Nacional de los EE.UU. ("National Electric Code"), el calentador ES8 debe ser conectado a un circuito derivado de 20 amperios utilizando un cable de calibre # 12.

- ▶ Retirar la cubierta de la caja eléctrica.
- ▶ Introduzca el cable 12 AWG en la caja de empalme a través de la boquilla de paso y fíjelo con la abrazadera de la boquilla de paso (no suministrada).
- ▶ Conecte los cables y los tornillos de la cubierta de la caja eléctrica.

- ▶ Realice las conexiones eléctricas apropiadas al calentador de agua, de conformidad con el Código Eléctrico Nacional de los EE.UU.

La unidad debe conectarse a tierra con el cable de conexión a tierra suministrado dentro de la caja de empalme.

- ▶ Fije la tapa de la caja de empalme una vez que se han realizado las conexiones del cableado.

Si el calentador ES8 no está al alcance de los disyuntores eléctricos, debe instalarse un interruptor de circuitos u otra forma local de desconexión de todos los conductores no conectados a tierra que esté al alcance del aparato. [Ref. NEC 422.31].

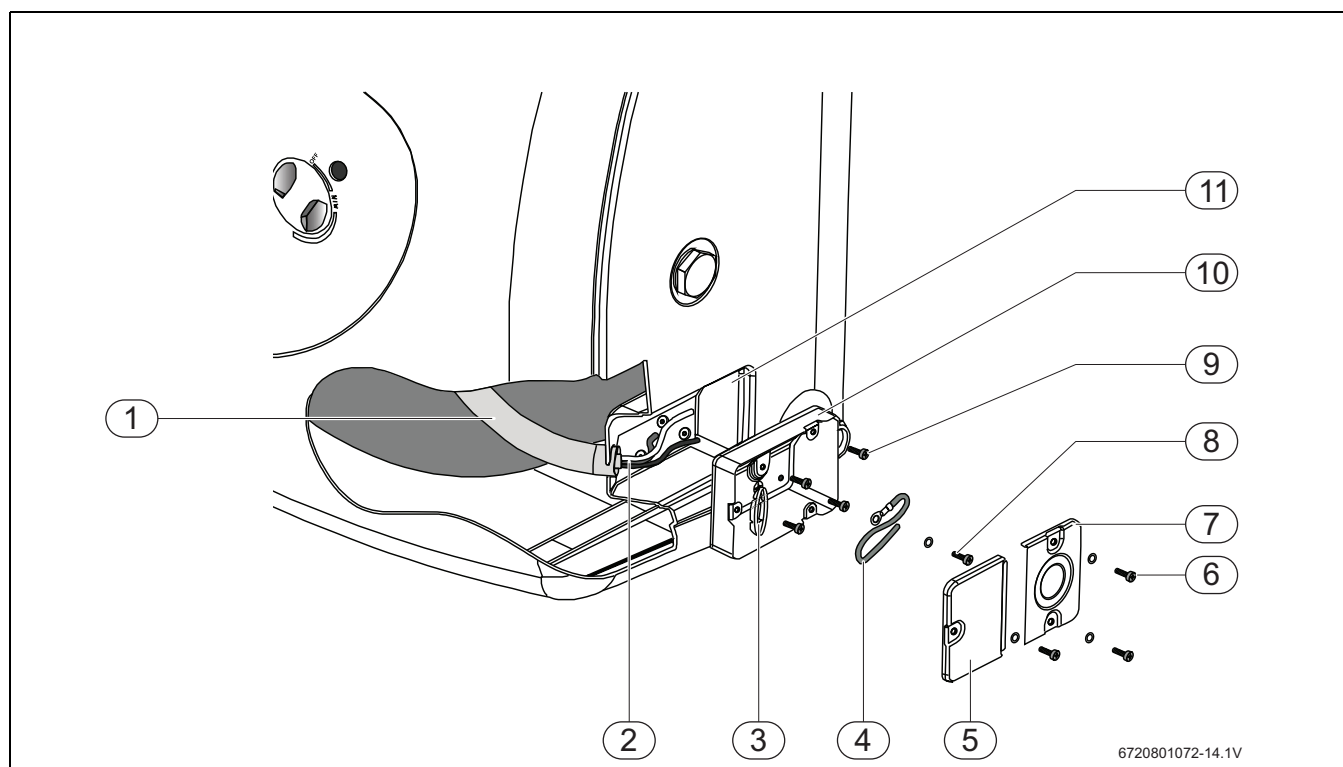


Fig. 8

- [1] Tubería de protección para cableado (interno, como en los modelos actuales)
- [2] Cableado
- [3] Anillo de protección para cableado.
- [4] Cable adicional de conexión a tierra AWG16 (longitud mínima 152mm)
- [5] Tapa de la caja izquierda de empalme
- [6] Tornillo autorroscante n° 3 para fijación de la tapa de la caja de empalme (con arandela de seguridad o cabeza dentada)
- [7] Tapa de la caja derecha de empalme
- [8] Tornillo autorroscante n° 1 para conexión a tierra (con arandela de seguridad o cabeza dentada)
- [9] Tornillos n° 4 para fijación de la tapa de la caja de empalme
- [10] Caja de empalme
- [11] Cuerpo de la caja de empalme (en la tapa frontal de plástico)

- ▶ Abra la(s) llave(s) de agua caliente suministradas por el calentador para purgar el aire del sistema. Una vez purgado el aire, cierre la llave de agua caliente.
- ▶ Compruebe visualmente la existencia de eventuales fugas de agua.

Encendido del calentador

Para modelos sin interruptor:

- ▶ Encienda el calentador de agua enchufando el cable de alimentación a la toma de corriente (modelos ES2.5, ES4) o encienda el disyuntor (modelo ES8). Si no se enciende la luz, gire el mando de regulación en sentido horario. En seguida se enciende la luz y permanece encendida hasta que se alcanza la temperatura programada en el termostato. La luz vuelve a encenderse automáticamente cuando la temperatura del agua en el interior del tanque cae por debajo del valor programado en el termostato.

4 Uso

4.1 Puesta en marcha y pruebas



NO encienda el calentador de agua hasta que esté lleno de agua.

Para llenar el calentador:

- ▶ Abra la llave de suministro para llenar el calentador con agua.

4.2 Ajuste de la temperatura

El ajuste de la temperatura del agua caliente se realiza girando el mando M (Fig. 9) situado en la tapa frontal. La temperatura puede ajustarse entre los 65 °F y 145 °F.

- ▶ Gire el mando en sentido horario para aumentar la temperatura.
- ▶ Gire el mando en sentido antihorario para disminuir la temperatura.

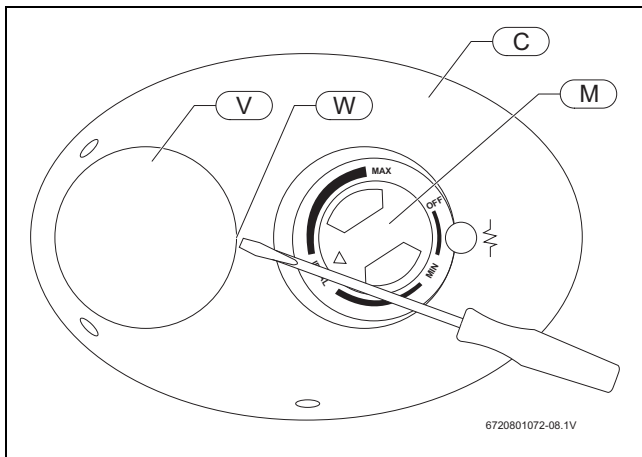


Fig. 9

5 Mantenimiento



ATENCIÓN:

No intente reparar usted mismo este calentador de agua. Llame a un técnico de servicio si necesita asistencia. Desconecte siempre la fuente de alimentación del calentador de agua antes de darle servicio o drenarlo.

Mantenimiento periódico



Para la mayoría de estas operaciones debe drenarse el agua del calentador. Para todas estas operaciones debe desconectarse la fuente de alimentación y retirarse la tapa frontal.

5.1 Quitar la tapa

- ▶ Con un destornillador pequeño de punta plana desprenda la placa protectora redonda (Fig. 9, [V]) por su borde derecho (Fig. 9, [W]).
- ▶ Retire el tornillo Phillips situado bajo la placa protectora redonda.
- ▶ Ahora puede retirarse la tapa (Fig. 9, [C]) extrayendo el borde izquierdo de la misma. Al rearmar la unidad, proceda en sentido inverso, teniendo cuidado de introducir la lengua de la tapa en la ranura.

5.2 Drenado del calentador

Si el calentador ha sido instalado con mangueras flexibles:

- ▶ Desconecte la fuente de alimentación.
- ▶ Vuelque el calentador sobre un fregadero para drenar toda el agua, o bien.

-o-

También puede ser drenado por:

- ▶ Extraiga el agua con sifón por la manguera del lado de la entrada.
- ▶ Mantenga abierta una llave de agua caliente mientras extrae el agua con sifón, o bien.

-o-

Si el calentador ha sido instalado con tuberías rígidas:

- ▶ Extraiga el agua con sifón a través de cualquier válvula de servicio (inferior) en el (lado de la entrada).
- ▶ Mantenga abierta una llave de agua caliente mientras extrae el agua con sifón.

5.3 Inspección de la barra del ánodo

La barra del ánodo (Fig. 12, [N]) ayuda a proteger el tanque contra la corrosión. Es fundamental que la barra del ánodo sea inspeccionada una

vez al año para comprobar si necesita ser sustituida. Para acceder a la barra del ánodo, debe retirarse el elemento de calentamiento (consulte la Sección 5.4 Desmontaje del elemento de calentamiento). Al inspeccionar la barra del ánodo, su superficie debe ser lisa. Si la superficie de la barra presenta hoyos, arrugas, oxidación, o si la barra falta por completo, es necesario sustituirla.

Para acceder a la barra del ánodo:

- ▶ Retire el elemento de calentamiento (consulte la Sección 5.4 Desmontaje del elemento de calentamiento)

Dimensiones de la barra del ánodo original

- ES2.5, ES4: de longitud, 5/8" de diámetro
- ES8: de longitud, 5/8" de diámetro

Algunas instalaciones pueden requerir una sustitución más frecuente de la barra del ánodo:

- aplicaciones de recirculación;
- mala calidad del agua;
- corrosión galvánica/electrolítica
- aplicaciones de alto caudal

En el caso de mala calidad del agua, Bosch recomienda consultar a un profesional local en tratamiento de agua para conocer las opciones de tratamiento de agua. Asegúrese siempre de que el calentador esté conectado a tierra. Los modelos ES2.5 y ES4 deben estar enchufados sólo a una toma de corriente debidamente conectada a tierra. La garantía del fabricante no cubre daños resultantes de la no sustitución de la barra del ánodo. Si tiene preguntas adicionales, llame al servicio técnico de Bosch.

5.4 Desmontaje del elemento de calentamiento

- ▶ Desconecte la fuente de alimentación y drene el calentador (consulte la sección anterior).
- ▶ Retire la placa protectora frontal y desconecte los bornes X, Y y T (Fig. 10).
- ▶ Destornille las cuatro tuercas de retención F del elemento de calentamiento (Fig. 10).
- ▶ Retire el sensor de temperatura del termostato del aljibe [B] situado en el cuerpo del elemento (Fig. 10).

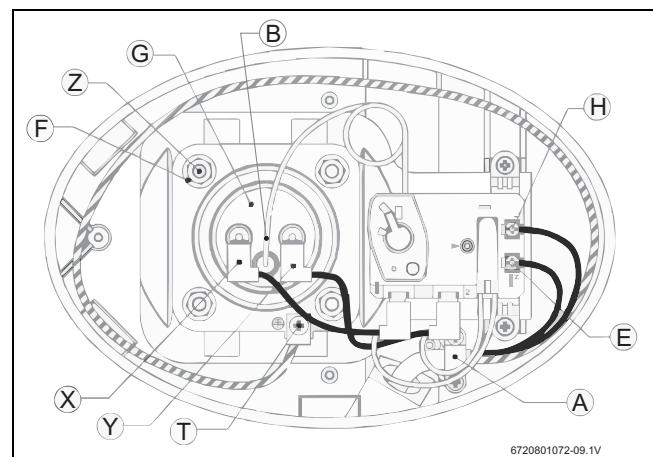


Fig. 10

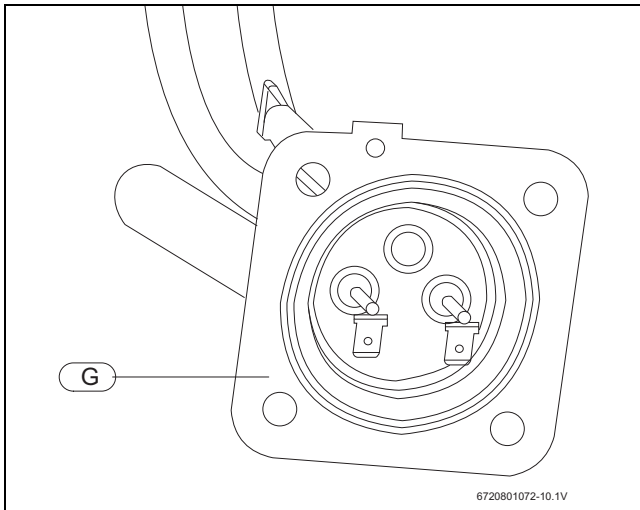


Fig. 11

5.5 Descalcificación del elemento de calentamiento

Los depósitos de cal pueden afectar la capacidad de calentamiento del elemento.

Una acumulación de cal gruesa puede incluso causar daños al elemento. El elemento puede descalcificarse química o manualmente:

- ▶ Remoje el elemento en vinagre blanco u otra solución descalcificadora.
- ▶ Una vez descalcificado el elemento, enjuáguelo bien con agua dulce, a la cual se le debe añadir un poco de bicarbonato de sodio, o bien.
- o-
- ▶ Una vez que esté seco el elemento, cepíllelo con un cepillo suave (no metálico para evitar dañar la vaina de acero inoxidable).
- ▶ Remueva el mineral seco con el cepillo.
- ▶ Vuelva a instalar el elemento con la junta y realice las conexiones de los alambres.

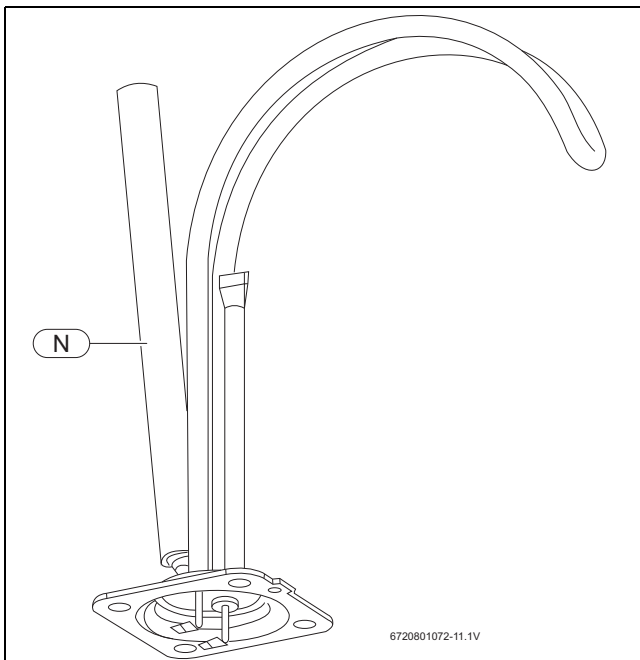


Fig. 12



AVISO:

Asegúrese de haber llenado el tanque de agua antes de volver a conectar la fuente de alimentación.

6 Sustitución de piezas

6.1 Cambio de la barra del ánodo

- ▶ Desconecte la fuente de alimentación y drene el calentador (consulte la sección "Drenado del calentador").
- ▶ Retire el elemento de calentamiento (consulte la sección anterior).
- ▶ Desenrosque la barra del ánodo de la conexión roscada
- ▶ Retire la barra del ánodo (fig. 12, [N]) y sustitúyala.
- ▶ Vuelva a instalar elemento de calentamiento.
- ▶ **Vuelva a llenar el tanque de agua antes de conectar la fuente de alimentación.**

6.2 Cambio del elemento de calentamiento

- ▶ Desconecte la fuente de alimentación y drene el calentador (consulte la sección "Drenado del calentador").
- ▶ Retire el elemento de calentamiento (consulte la sección "Desmontaje del elemento de calentamiento").
- ▶ Instale un nuevo elemento con la junta, asegurándose de que ambos estén colocados correctamente. Apriete las tuercas de retención y efectúe las conexiones de los alambres.
- ▶ Asegúrese de que el sensor de temperatura del termostato esté insertado en el aljibe situado en el conjunto del elemento y fijado con un ojal de goma negra.
- ▶ **Vuelva a llenar el tanque de agua antes de conectar la fuente de alimentación.**

6.3 Cambio del termostato

- ▶ Desconecte la fuente de alimentación.
- ▶ Desconecte los dos alambres de tirón y empujón del termostato.
- ▶ Afloje los dos tornillos de latón situados en el lado derecho del termostato y extraiga los alambres.
- ▶ Retire el sensor de temperatura del termostato del aljibe situado en el cuerpo del elemento.
- ▶ Desenrosque y retire los dos tornillos Phillips que fijan el termostato al tanque.
- ▶ Instale el nuevo termostato y vuelva a colocar los alambres y los tornillos.
- ▶ Asegúrese de que el sensor de temperatura del termostato esté insertado en el aljibe situado en el conjunto del elemento y fijado con un ojal de goma negra.

7 Corrección de problemas

Problema	Solución
No se calienta el agua.	Asegúrese de que la fuente de alimentación esté conectada y funcionando correctamente.
	Si no se enciende la luz, compruebe que esté oprimido el botón de reajuste de alto límite; siga los pasos indicados en la sección 7.1.
	Si la luz indicadora funciona correctamente, pero no sale agua caliente de la llave, compruebe si hay un cruce de tubería; cierre el agua fría suministrada al calentador y abra la llave de agua caliente. No debe correr agua. Si hay un flujo continuo de agua, indica la presencia de un cruce en la tubería, lo cual afecta la temperatura y debe corregirse.
	Llame a un técnico calificado para verificar la resistencia del elemento de calentamiento (8-10 ohmios). Sustituya el elemento de calentamiento si las lecturas están fuera de estos valores.
No se enciende la luz.	Si no se enciende la luz, pero sí se calienta el agua, compruebe si la lámpara es defectuosa.
	Compruebe el botón de reajuste de alto límite; Siga los pasos indicados en la sección 7.1.
El agua sale marrón.	La presencia de agua marrón u oxidada indica que la barra del ánodo está "gastada" y un posible deterioro del cuerpo del tanque. Inspeccione el tanque para ver si hay fugas de agua. Compruebe la barra del ánodo (véase la sección sobre el cambio de la barra del ánodo)
El agua sale con olor.	La presencia de agua con olor puede deberse a una reacción inusual entre el agua de la localidad y la barra del ánodo del calentador. Compruebe la barra del ánodo (consulte la sección sobre el cambio de la barra del ánodo). De lo contrario, podría ocasionar daños al tanque y fugas de agua.
Fugas de agua.	Compruebe las conexiones de agua y la conexión de la válvula de alivio de temperatura y presión en la parte superior del tanque.
	Retire la tapa frontal e inspeccione la junta del elemento de calentamiento.
	Si el tanque pierde agua, llame a Bosch Water Heating para hacer valer la garantía si está dentro del periodo de la misma.
	Compruebe la barra del ánodo (véase la sección sobre el cambio de la barra del ánodo)

Tab. 7

7.1 Reajuste del interruptor de alto límite

Ocasionalmente, el dispositivo de apagado de límite de alta temperatura puede activar el reinicio del sistema. Esto ocurre cuando la temperatura del agua supera los 190 °F. El dispositivo de apagado también puede activarse debido a un apagón o una tormenta eléctrica.

Para acceder al termostato:

- ▶ Desconecte el cable de alimentación (o apague el disyuntor - modelo ES8) y quite la tapa frontal.
- ▶ Presione firmemente el botón de reinicio (fig. 13, [B]) con la punta de un bolígrafo u objeto similar.

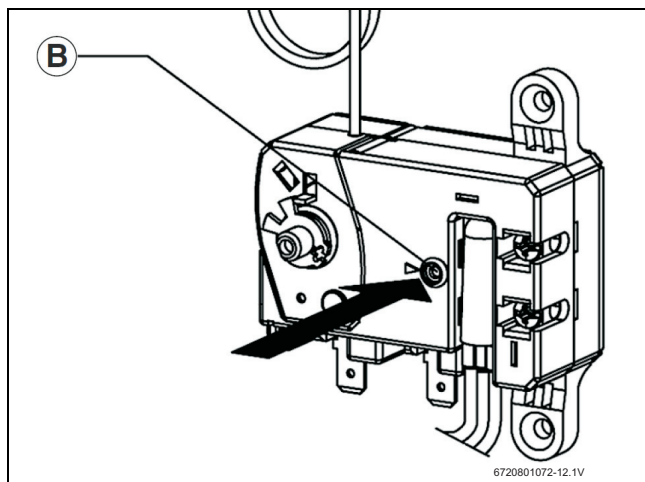


Fig. 13

Un clic indica que se ha activado el reinicio del sistema.

- ▶ Vuelva a conectar el cable de alimentación.

IMPORTANTE: Compruebe el funcionamiento del termostato:

- ▶ Gire el selector de temperatura de alto a bajo.
Si no se apaga la luz roja en el ajuste bajo:
- ▶ Desconecte la fuente de alimentación y llame a un técnico de servicio para sustituir el termostato.
Si se apaga la luz roja, el termostato funciona correctamente:
- ▶ Gire el selector de temperatura a la posición deseada.



Un ajuste más bajo es más económico y reduce el riesgo de quemaduras.

- ▶ Vuelva a colocar la tapa.



ATENCIÓN:

Llame a un técnico si es necesario reajustar con frecuencia el límite alto.

8 Diagrama de los componentes internos Bosch

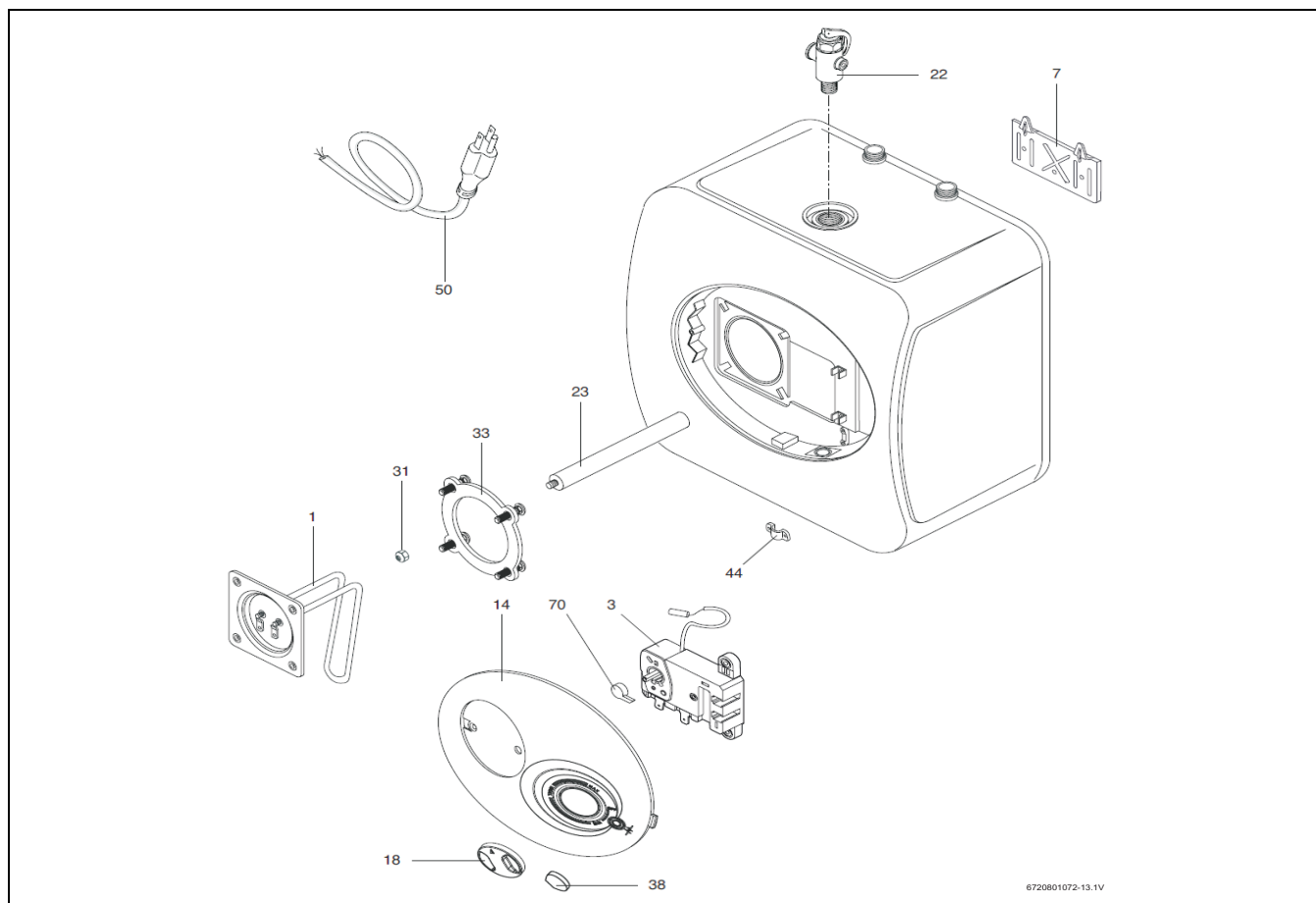


Fig. 14

Pieza	Descripción	Código (TTNR)	Modelo
1	RESISTENCIA 1440W	8 738 704 439 0	ES 2.5 / ES 4
	RESISTENCIA 1440W	8 738 704 440 0	ES 8
3	TERMOSTATO CABLEADO	8 738 704 441 0	ES 2.5 / ES 4
	TERMOSTATO CABLEADO	8 738 704 442 0	ES 8
7	SOPORTE INSTALACION	8 738 704 443 0	ES 2.5 / ES 4 / ES 8
14	CAZOLETA + LENTE NEON	8 738 704 446 0	ES 2.5 / ES 4 / ES 8
18	MANDO DE REGULACION	8 738 704 444 0	ES 2.5 / ES 4 / ES 8
22	VALVULA T&P ¾	8 738 704 445 0	ES 2.5 / ES 4 / ES 8
23	ANODO MAGNESIO D:14 L:155 M4	8 738 704 447 0	ES 2.5 / ES 4
	ANODO MAGNESIO D:16 L:195	8 738 704 448 0	ES 8
31	TUERCA M6	8 738 704 449 0	ES 2.5 / ES 4 / ES 8
33	JUNTA 4 PERNO	8 738 704 450 0	ES 2.5 / ES 4 / ES 8
38	LENTE NEON	8 738 704 451 0	ES 2.5 / ES 4 / ES 8
44	SUJETACABLE	8 738 704 452 0	ES 2.5 / ES 4 / ES 8
50	CABLE DE ALIMENTACION	8 738 704 453 0	ES 2.5 / ES 4
70	PALANCA TERMOSTATO	8 738 704 454 0	ES 2.5 / ES 4 / ES 8

Tab. 8

9 Bosch Tronic 3000T GARANTÍA LIMITADA

MODELOS CUBIERTOS

Esta garantía limitada es proporcionada por Bosch Thermotechnology Corp. ("BTC") y cubre el modelo Bosch Tronic 3000T calentador de agua, y los modelos ES2.5, ES4 y ES8 (referido a continuación como "Calentador de agua"). Esta garantía se ofrece siempre y cuando el calentador de agua permanezca en posesión del comprador original y esté instalado en su lugar original de instalación.

COBERTURA DE LA GARANTÍA

Garantía limitada

Tanque interior del calentador de agua ("Tanque interior") - BTC garantiza que el tanque interior se mantendrá libre de fugas durante seis (6) años a partir de la fecha de instalación o a partir de la fecha de fabricación si se prueba que la instalación no está disponible, siempre que esté adecuadamente instalado y mantenido y se cumplan las demás condiciones de la presente garantía. Si BTC determina que el producto tiene un defecto de fabricación o en los materiales, BTC, según su criterio, reparará o reemplazará la pieza defectuosa.

Otras piezas del calentador de agua ("Otras piezas") - BTC garantiza que otras piezas están libres de defectos de fabricación y materiales durante dos (2) años a partir de la fecha de la instalación original o a partir de la fecha de fabricación si se prueba que la instalación no está disponible.

ELEMENTOS NO CUBIERTOS

Esta garantía limitada no cubre las siguientes circunstancias:

1. Componentes o piezas no suministradas por BTC.
2. Arañazos o decoloración de los acabados.
3. Elementos útiles y mantenimiento normal, como solicitado por el Manual de instalación y de mantenimiento.
4. La mano de obra de cualquier instalación. BTC renuncia y no asume ninguna responsabilidad de ninguna naturaleza por el desempeño insatisfactorio causado por una instalación, reparación o mantenimiento inadecuado.
5. Los costes de mano de obra o de material para la eliminación, reinstalación, reparación o sustitución del componente defectuoso o parcialmente defectuoso.
6. Los costes de electricidad o combustible, o cualquier aumento o ahorro no realizado en el mismo, por cualquier motivo.
7. Los daños causados por abuso, accidente, negligencia, temperaturas o presiones excesivas, reacción electroquímica, impurezas en el agua y en el aire, fallos eléctricos, e inundaciones o causas de fuerza mayor.
8. Los daños causados por la falta de mantenimiento de la barra del ánodo. Consulte el manual de instalación para obtener más detalles.
9. Los gastos de transporte, gastos de envío o gastos administrativos incurridos por el comprador en la reparación o sustitución del calentador de agua.

CONDICIONES DE GARANTÍA

La garantía quedará anulada en los siguientes casos:

1. Avería o mal funcionamiento como resultado de un funcionamiento incorrecto o negligente, accidentes, abusos, congelación, características de desequilibrio eléctrico, mal uso, alteración no autorizada, alimentación eléctrica errónea, picos de tensión o instalación, reparación o mantenimiento inadecuado. Fallo en el mantenimiento de la barra del ánodo. Consulte el Manual para la instalación y mantenimiento.

2. Fallo o mal funcionamiento como resultado del suministro de agua contaminada o corrosiva, la adición de productos químicos no autorizados, el funcionamiento a temperaturas, presiones o caudales anómalos, o cualquier unión, accesorio o componente no autorizado o aprobado por BTC. Ver el Manual para obtener información sobre la instalación y el mantenimiento.
3. Fallo o mal funcionamiento como resultado del funcionamiento del calentador de agua no abastecido con agua potable o utilizado con agua que pueda causar depósitos o corrosión.
4. Trabajo realizado sin la autorización o aprobación previa y sin el número de autorización/solicitud y sin la documentación adecuada de verificación del cumplimiento de los términos anteriores.

GARANTÍA LIMITADA

ADEMÁS DE LAS OBLIGACIONES DE BTC AQUÍ EXPRESAMENTE ESTABLECIDAS, BTC RECHAZA TODAS LAS DEMÁS GARANTÍAS, EXPRESAS O IMPLÍCITAS, INCLUYENDO, PERO NO LIMITADAS A LAS GARANTÍAS IMPLÍCITAS DE COMERCIALIZACIÓN O IDONEIDAD PARA UN USO ESPECÍFICO. LA ÚNICA OBLIGACIÓN DE BTC CON RESPECTO AL PRODUCTO Y A LOS RECURSOS EXCLUSIVOS DEL COMPRADOR SE ESTABLECE EN LA GARANTÍA PRECEDENTE. BTC NO SE HACE RESPONSABLE DE DAÑOS INDIRECTOS, ACCIDENTALES, ESPECIALES, CONSECUENTES O SIMILARES, INCLUYENDO, SIN LIMITACIÓN, LESIONES O DAÑOS A PERSONAS O PROPIEDAD, O DAÑOS POR PÉRDIDA DE USO, PÉRDIDA DE BENEFICIOS, INCONVENIENTES O PÉRDIDA DE TIEMPO.

TENGA EN CUENTA QUE CUALQUIER PRODUCTO REPARADO O SUSTITUIDO ESTARÁ GARANTIZADO ÚNICAMENTE DURANTE EL RESTO DEL PLAZO DE LA GARANTÍA ORIGINAL.

Algunos estados no permiten la exclusión o limitación de daños o limitaciones sobre la duración de una garantía implícita, por lo que las anteriores limitaciones y exclusiones puede que no se apliquen a usted.

PROCESO DE RECLAMACIÓN DE GARANTÍA

Si usted tiene una reclamación de garantía debe notificarla al contratista que ha instalado el calentador de agua o enviar la reclamación de garantía directamente a BTC, a Bosch Thermotechnology Corp., 50 Wentworth Avenue, Londonderry, NH 03053. Para procesar su reclamación, necesitará una copia de la factura original u otra prueba de compra y la documentación que demuestre el número de modelo del calentador de agua, el número de serie, la fecha original de instalación, el lugar de compra y el nombre del instalador. Los componentes o piezas defectuosas se deben devolver a BTC en conformidad con el procedimiento de BTC en vigor para el manejo de las mercancías de retorno con el propósito de inspeccionarlas para determinar la causa del desperfecto (en caso de duda sobre el proceso de retorno contacte con BTC). Si BTC determina que los componentes de devolución y/o partes defectuosas están bajo esta garantía, BTC facilitará la reparación o sustitución de componentes y/o partes a un distribuidor autorizado de BTC que, a su vez, enviará los componentes o partes al contratista de calefacción que ha instalado el calentador de gas.

Esta garantía solamente se aplica a los productos instalados en el territorio continental de Estados Unidos y en Canadá.



Bosch Thermotechnology Corp.
50 Wentworth Avenue
Londonderry, NH 03053
Tel. 603-552-1100
Fax 603-965-7581
www.bosch-climate.us
U.S.A.

Bosch Thermotechnology Corp. reserves the right
to make changes without notice due to continuing
engineering and technological advances.

Free Manuals Download Website

<http://myh66.com>

<http://usermanuals.us>

<http://www.somanuals.com>

<http://www.4manuals.cc>

<http://www.manual-lib.com>

<http://www.404manual.com>

<http://www.luxmanual.com>

<http://aubethermostatmanual.com>

Golf course search by state

<http://golfingnear.com>

Email search by domain

<http://emailbydomain.com>

Auto manuals search

<http://auto.somanuals.com>

TV manuals search

<http://tv.somanuals.com>