

Dell Networking W-IAP200 Series Wireless Instant Access Point

Installation Guide

The Dell Networking W-IAP200 Series (W-IAP204 and W-IAP205) wireless Instant Access Points (IAP) support the IEEE 802.11ac and 802.11n standards for high-performance WLAN. It uses Multiple-Input, Multiple-Output (MIMO) technology and other high-throughput mode techniques to deliver high-performance, 802.11n 2.4 GHz and 802.11ac 5 GHz functionality while simultaneously supporting legacy 802.11a/b/g wireless services. The W-IAP200 Series Instant access point works only in conjunction with a virtual controller.

The W-IAP200 Series Instant access point provides the following capabilities:

- Wireless transceiver
- Protocol-independent networking functionality
- IEEE 802.11a/b/g/n/ac operation as a wireless Instant access point
- IEEE 802.11a/b/g/n/ac operation as a wireless air monitor
- Compatibility with IEEE 802.3af PoE

Note: The W-IAP200 Series requires Dell Instant 4.1.1 or later.

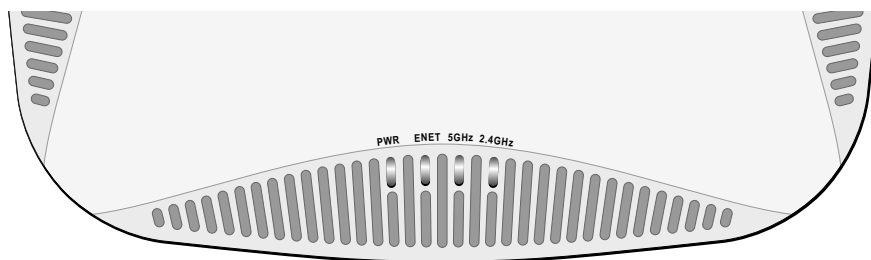
Package Contents

- W-IAP204 or W-IAP205 Instant Access Point
- 9/16" and 15/16" Ceiling Rail Adapters
- Quick Start Guide
- Installation Guide (this document)

Note: Inform your supplier if there are any incorrect, missing, or damaged parts. If possible, retain the carton, including the original packing materials. Use these materials to repack and return the unit to the supplier if needed.

W-IAP200 Series Hardware Overview

Figure 1 W-IAP200 Series LEDs



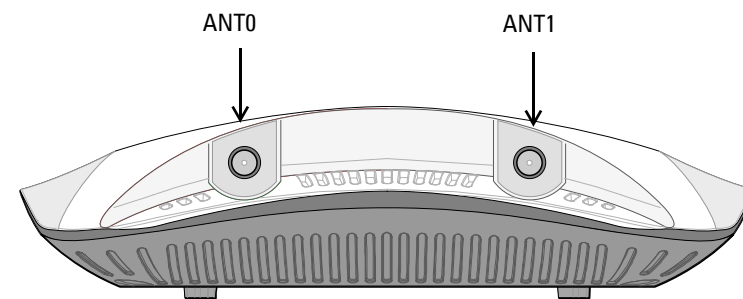
LEDs

The W-IAP200 Series Instant access point is equipped with four LEDs that indicate the status of its various components.

- PWR: Indicates whether or not the IAP is powered-on and shows basic system status
- ENET: Indicates the status of the IAP Ethernet port
- 5 GHz: Indicates the status of the IAP 802.11a/n/ac radio
- 2.4 GHz: Indicates the status of the IAP 802.11b/g/n radio

LED	Color/State	Meaning
PWR	Off	No power to IAP
	Red	Error condition
	Green - Flashing	IAP booting
	Green - Steady	IAP ready
ENET	Off	Ethernet link unavailable
	Yellow - Steady	10/100Mbps Ethernet link established
	Green - Steady	1000Mbps Ethernet link established
	Flashing	Ethernet link activity
5 GHz	Off	5 GHz radio disabled
	Yellow - Steady	5 GHz radio enabled in non-HT WLAN mode
	Green - Steady	5 GHz radio enabled in HT WLAN mode
	Flashing - Green	5 GHz Air or Spectrum Monitor
2.4 GHz	Off	2.4 GHz radio disabled
	Yellow - Steady	2.4 GHz radio enabled in non-HT WLAN mode
	Green - Steady	2.4 GHz radio enabled in HT WLAN mode
	Flashing - Green	2.4 GHz Air or Spectrum Monitor

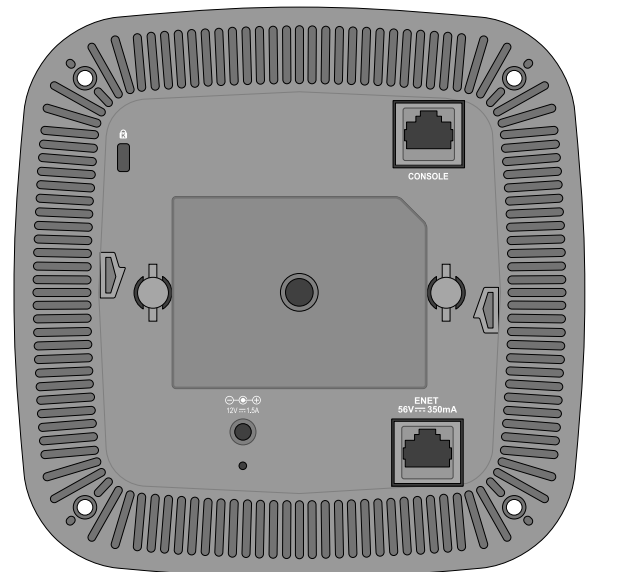
Figure 2 W-IAP200 Series Side View (W-IAP204 shown)



External Antenna Connectors

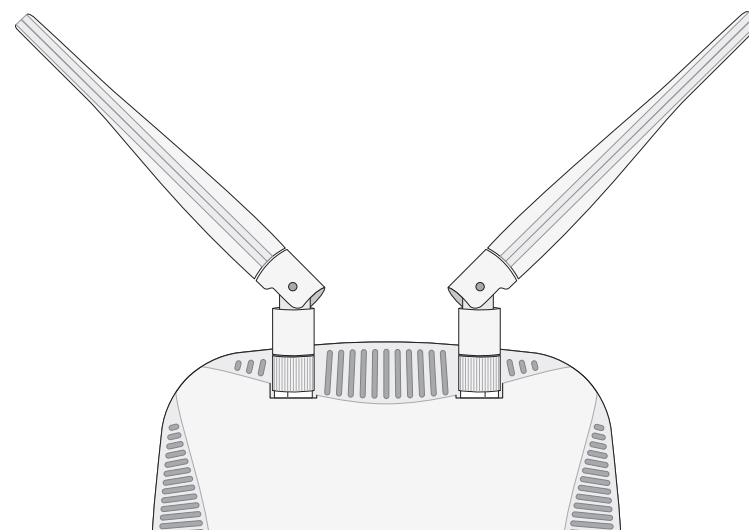
The W-IAP204 Instant access point is equipped with two external antenna connectors. The connectors are labeled ANT0 and ANT1, and correspond to radio chains 0 and 1.

Figure 3 W-IAP200 Series Rear View



For optimal performance when using articulating direct-mount antennas, professional installers must orient the antennas as pictured in [Figure 4](#), below.

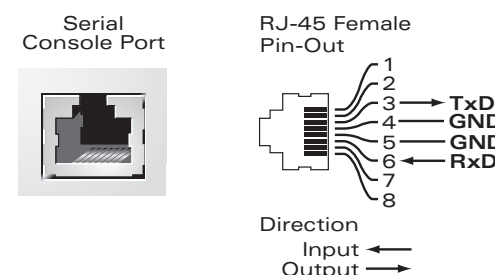
Figure 4 W-IAP204 Antenna Orientation



Console Port

The serial console port allows you to connect the IAP to a serial terminal or a laptop for direct local management. This port comprises of an RJ-45 female connector with the pinouts described in [Figure 5](#). Connect it directly to a terminal or terminal server using an Ethernet cable.

Figure 5 Serial Port Pin-Out

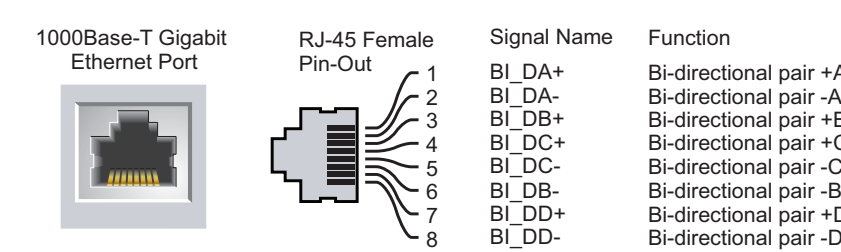


Ethernet Port

The W-IAP200 Series Instant access point is equipped with one 10/100/1000Base-T (RJ-45) auto-sensing, MDI/MDX wired-network connectivity port. This port supports IEEE 802.3af Power over Ethernet (PoE) compliance, accepting 48 VDC (nominal) as a standard defined Powered Device (PD) from a Power Sourcing Equipment (PSE) such as a PoE midspan injector, or network infrastructure that supports PoE.

The port comprises of an RJ-45 female connector with the pin-outs shown in [Figure 6](#).

Figure 6 Gigabit Ethernet Port Pin-Out



DC Power Socket

If PoE is not available, an optional Dell AP/IAP AC-DC adapter kit (sold separately) can be used to power the IAP.

Additionally, a locally-sourced AC-to-DC adapter (or any DC source) can be used to power this device, as long as it complies with all applicable local regulatory requirements and the DC interface meets the following specifications:

- 12 VDC (+/- 5%)/18W
- Center-positive 1.7/4.0 mm circular plug, 9.5 mm length

Reset Button

The reset button can be used to return the IAP to factory default settings. To reset the IAP:

1. Power off the IAP.
2. Press and hold the reset button using a small, narrow object, such as a paperclip.
3. Power-on the IAP without releasing the reset button. The power LED will flash within 5 seconds.
4. Release the reset button.

The power LED will flash again within 15 seconds indicating that the reset is completed. The IAP will now continue to boot with the factory default settings.

Before You Begin

Caution: FCC Statement: Improper termination of Instant access points installed in the United States (non-US model Regulatory Domain model/s) will be in violation of the FCC grant of equipment authorization. Any such willful or intentional violation may result in a requirement by the FCC for immediate termination of operation and may be subject to forfeiture (47 CFR 1.80).

Caution: EU Statement: Lower power radio LAN product operating in 2.4 GHz and 5 GHz bands. Please refer to the *Dell Networking W-Series Instant User Guide* for details on restrictions.

Produit réseau local radio basse puissance operant dans la bande fréquence 2.4 GHz et 5 GHz. Merci de vous référer au *Dell Networking W-Series Instant User Guide* pour les détails des restrictions.

Low Power FunkLAN Produkt, das im 2.4 GHz und im 5 GHz Band arbeitet. Weitere Informationen bezüglich Einschränkungen finden Sie im *Dell Networking W-Series Instant User Guide*.

Apparati Radio LAN a bassa Potenza, operanti a 2.4 GHz e 5 GHz. Fare riferimento alla *Dell Networking W-Series Instant User Guide* per avere informazioni dettagliate sulle restrizioni.

Pre-Installation Checklist

Before installing the W-IAP200 Series Instant access point, ensure that you have the following:

- CAT5e or better UTP cable of required length
- One of the following power sources:
 - IEEE 802.3af-compliant Power over Ethernet (PoE) source. The POE source can be any power source equipment (PSE) controller or midspan PSE device
 - Dell IAP AC-DC adapter kit (sold separately)

Summary of the Setup Process

Successful setup of a W-IAP200 Series Instant access point consists of four tasks, which must be performed in this order:

1. Identify the specific installation location for each IAP.
2. Install each IAP.
3. Verify post-installation connectivity.
4. Configure the virtual controller. Refer to the *Dell Networking W-Series Instant Quick Start Guide*.

Note: Dell, in compliance with governmental requirements, has designed the W-IAP200 Series Instant access points so that only authorized network administrators can change the settings. For more information about IAP configuration, refer to the *Dell Networking W-Series Instant Quick Start Guide* and *Dell Networking W-Series Instant User Guide*.

Caution: Access points are radio transmission devices and as such are subject to governmental regulation. Network administrators responsible for the configuration and operation of access points must comply with local broadcast regulations. Specifically, access points must use channel assignments appropriate to the location in which the Instant access point will be used.

Identifying Specific Installation Locations

You can mount the W-IAP200 Series Instant access point on a wall or on the ceiling. Use the AP/IAP placement map generated by Dell Airwave VisualRF Plan software application to determine the proper installation location(s). Each location should be as close as possible to the center of the intended coverage area and should be free from obstructions or obvious sources of interference. These RF absorbers/reflectors/interference sources will impact RF propagation and should have been accounted during the planning phase and adjusted in the VisualRF plan.

Identifying Known RF Absorbers/Reflectors/Interference Sources

Identifying known RF absorbers, reflectors, and interference sources while in the field during the installation phase is critical. Make sure that these sources are taken into consideration when you attach an IAP to its fixed location. Examples of sources that degrade RF performance include:

- Cement and brick
- Objects that contain water
- Metal
- Microwave ovens
- Wireless phones and headsets

Installing the IAP

Note: Service to all Dell Networking products should be performed by trained service personnel only.

Using the Ceiling Rail Adapter

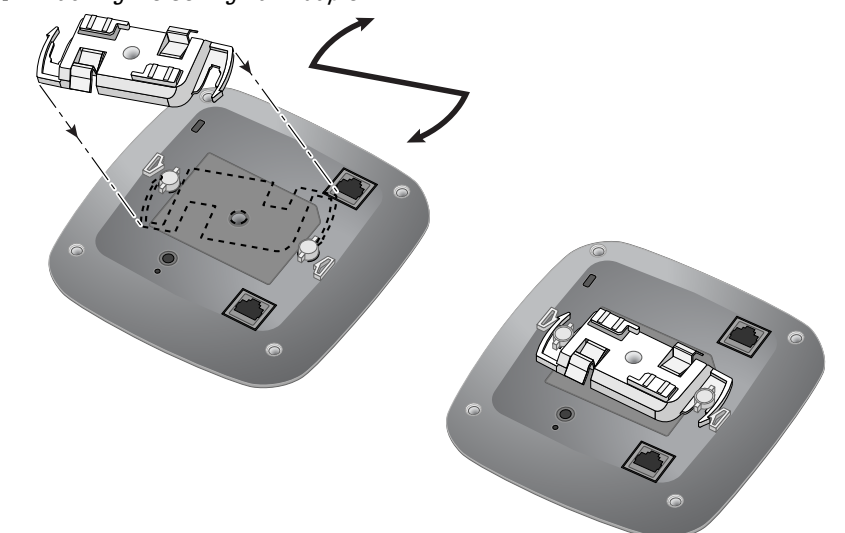
The W-IAP200 Series Instant access point ships with two ceiling rail adapters for 9/16" and 15/16" ceiling rails. Additional wall mount adapters and ceiling rail adapters for other rail styles are available as accessory kits.

Caution: Maximum supported weight of the ceiling rail adapter is 3.75 kg.

Caution: Make sure the IAP fits securely on the ceiling tile rail when hanging the device from the ceiling, because poor installation could cause it to fall on people or equipment.

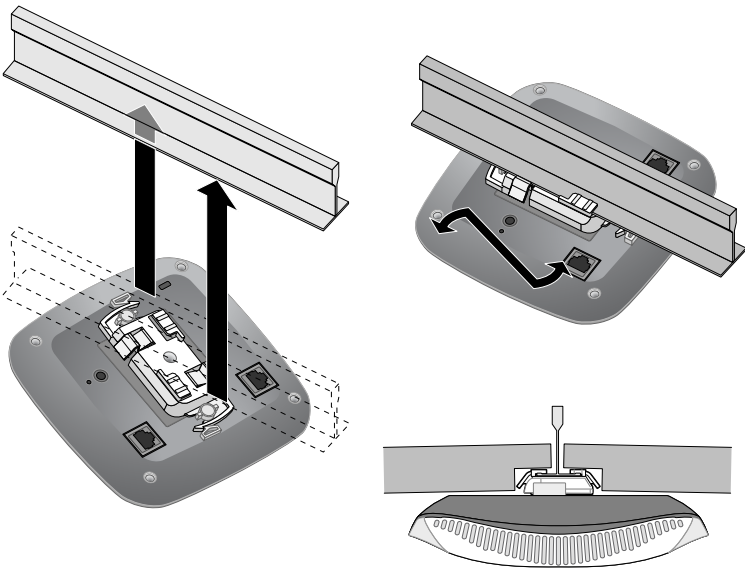
1. Pull the necessary cables through a prepared hole in the ceiling tile where the IAP will be placed.
2. Place the adapter against the back of the IAP at an angle of approximately 30 degrees to the tabs (see [Figure 7](#)).
3. Twist the adapter clockwise until it snaps into place in the tabs (see [Figure 7](#)).

Figure 7 Attaching the Ceiling Rail Adapter



- If necessary, connect the console cable to the console port on the back of the IAP.
- Hold the IAP next to the ceiling tile rail with the ceiling tile rail mounting slots at approximately a 30-degree angle to the ceiling tile rail (see [Figure 5](#)). Make sure that any cable slack is above the ceiling tile.
- Pushing toward the ceiling tile, rotate the IAP clockwise until the device clicks into place on the ceiling tile rail.

Figure 8 *Mounting the IAP*



- On the W-IAP204 Instant access point, install the external antennas according to the manufacturer's instructions, and connect the antennas to the antenna interfaces on the IAP.

Connecting Required Cables

Install cables in accordance with all applicable local and national regulations and practices.

Verifying Post-Installation Connectivity

The integrated LEDs on the IAP can be used to verify that the IAP is receiving power and initializing successfully (see [Table 1](#)). Refer to the *Dell Networking W-Series Instant Quick Start Guide* for further details on verifying post-installation network connectivity.

Product Specifications

Electrical

- Ethernet:
 - 1x 10/100/1000 auto-sensing Ethernet RJ-45 Interface
 - MDI/MDX
 - IEEE 802.3 (10Base-T), IEEE 802.3u (100Base-T), IEEE 802.3ab (1000Base-T)
 - Power over Ethernet (802.3af compliant), 48V DC (nominal) and 56V DC (maximum)/350mA (see [Figure 6](#) for pin configuration)
- Power:
 - 12 VDC power interface, supports powering through an AC-to-DC power adapter
 - POE support on Ethernet port: 802.3af-compliant POE sourcing devices

Note: If a power adapter other than the one provided by Dell is used in the US or Canada, it should be cULus (NRTL) Listed, with an output rated 12 VDC, minimum 1.5A, marked "LPS" or "Class 2," and suitable for plugging into a standard power receptacle in the US and Canada.

For additional specifications on this product, please refer to the product data sheet on [dell.com](#).

Proper Disposal of Dell Equipment

Dispose of Dell products per local regulations. For the most current information about Global Environmental Compliance and Dell products, visit [dell.com](#).

Waste of Electrical and Electronic Equipment



Dell products at end of life are subject to separate collection and treatment in the EU Member States, Norway, and Switzerland and therefore are marked with the symbol shown at the left (crossed-out wheeled bin). The treatment applied at end of life of these products in these countries shall comply with the applicable national laws of countries implementing Directive 2002/96/EC on Waste of Electrical and Electronic Equipment (WEEE).

European Union RoHS

Dell products comply with the EU Restriction of Hazardous Substances Directive 2011/65/EC (RoHS). EU RoHS restricts the use of specific hazardous materials in the manufacture of electrical and electronic equipment. Specifically, restricted materials under the RoHS Directive are Lead (including Solder used in printed circuit assemblies), Cadmium, Mercury, Hexavalent Chromium, and Bromine. Some Dell products are subject to the exemptions listed in RoHS Directive Annex 7 (Lead in solder used in printed circuit assemblies). Products and packaging will be marked with the "RoHS" label shown at the left indicating conformance to this Directive.

A copy of the Declaration of Conformity may be obtained upon request from:

Aruba Networks International Ltd.
Building 1000,
Citygate Mahon
Cork Ireland.

Please include the regulatory model number located on the product's regulatory nameplate with the request.

China RoHS



Dell products comply with China environmental declaration requirements and are labeled with the "EFUP 10" label shown at the left.

有害物质声明 Hazardous Materials Declaration					
组件名称 (Part)	有害物质的浓度 (Hazardous Substances)				
	铅 (Pb)	汞 (Hg)	镉 (Cd)	六价铬 (Cr ⁶⁺)	多环芳烃 (PBB)
电路板 (PCB board)	×	○	○	○	○
机械零件 (Mechanical Sub-Assemblies)	×	○	○	○	○

○: 表示该有害物质在指定材料中的含量符合 SJ/T11363-2006 标准规定的限量要求以下。
 Indicates that the concentration of the hazardous substance in all homogeneous materials in the parts is below the relevant threshold of the SJ/T11363-2006 standard.

×: 表示该有害物质至少在该部件的某一规格中的含量超过了 SJ/T11363-2006 标准规定的限量要求。
 Indicates that the concentration of the hazardous substance of at least one of all homogeneous materials in the parts is above the relevant threshold of the SJ/T11363-2006 standard.

制造商之日期所生产之产品, 本表显示, 供应链的零件在产品中可能包含有害物质。
 This table shows where these substances may be found in the supply chain of electronic information products, as of the date of sale of the enclosed product.

此标志为针对所标示产品的环保使用期限。某些零件会有一个不同的环保使用期限(例如: 电话听筒或鼠标产品)。
 请仔细阅读期限适用于产品或零件表中所有规定的零件。注意:
 The Environment-Friendly Use Period (EFUP) for all enclosed products and their parts are per the symbol shown here. The Environment-Friendly Use Period is valid only when the product is operated under the conditions defined in the product manual.

India RoHS

This product complies with RoHS requirements as prescribed by E-Waste (Management & Handling) Rules, governed by the Ministry of Environment & Forests, Government of India.

Safety and Regulatory Compliance



Note: For country specific restrictions and additional safety and regulatory information, refer to the multi-language *Dell Networking W-Series Safety, Environmental, and Regulatory Information* document included with this product.

Regulatory Model Names

The following regulatory model names apply to the W-IAP200 Series Instant access point:

- W-IAP204: APIN0204
- W-IAP205: APIN0205

정소출력 무선기기 (무선데이터통신시스템용 무선기기)

FCC

The device is electronically labeled and the FCC ID is displayed via the WebUI under the **About** menu.



Caution: Dell Instant access points must be installed by a professional installer. The professional installer is responsible for ensuring that grounding is available and it meets applicable local and national electrical codes.



Caution: RF Radiation Exposure Statement: This equipment complies with FCC RF radiation exposure limits. This equipment should be installed and operated with a minimum distance of 7.9 inches (20 cm) between the radiator and your body for 2.4 GHz and 5 GHz operations. This transmitter must not be co-located or operating in conjunction with any other antenna or transmitter. When operated in the 5.15 to 5.25 GHz frequency range, this device is restricted to indoor use to reduce the potential for harmful interference with co-channel Mobile Satellite Systems.

FCC Class B Part 15

This device complies with Part 15 of the Federal Communications Commission (FCC) Rules. Operation is subject to the following two conditions:

- This device may not cause harmful interference.
- This device must accept any interference received, including interference that may cause undesired operation.



Caution: Changes or modifications to this unit not expressly approved by the party responsible for compliance could void the user's authority to operate this equipment.

This equipment has been tested and found to comply with the limits for a Class B digital device, pursuant to Part 15 of the FCC Rules. This equipment generates, uses and can radiate radio frequency energy and, if not installed and used in accordance with the manufacturer's instructions, may cause interference harmful to radio communications.

If this equipment does cause interference, which can be determined by turning the equipment off and on, the user is encouraged to try to correct the interference by one or more of the following measures:

- Reorient or relocate the receiving antenna.
- Increase the separation between the equipment and receiver.
- Connect the equipment to an outlet on a circuit different from that to which the receiver is connected.
- Consult the dealer or an experienced radio or TV technician for help.

Complies with the Class B limits for radio noise emissions as set out in the interference-causing equipment standard entitled "Digital Apparatus," ICES-003 of Industry Canada.

Cet appareil numérique de la classe B respecte toutes les exigences du Règlement sur le matériel brouilleur du Canada.

Users are advised that high power Radars are allocated as primary users of the bands 5250-5350 MHz and 5650-5850 MHz and these Radars could cause interference and/or damage to Licensed Exempt WLAN devices.

해당무선설비는 전파혼신의 가능성이 있으므로 인명안전과 관련된 서비스는 할 수 없습니다.



EU Regulatory Conformance

This product is CE marked according to the provisions of the R & TTE Directive (1999/5/EC) - CE(!). Dell, hereby declares that the APIN0204 / APIN0205 device models are in compliance with the essential requirements and other relevant provisions of Directive 1999/5/EC -CE(!)

The Declaration of Conformity made under Directive 1999/5/EC is available for viewing on [dell.com](#).

Canada

(i) les dispositifs fonctionnant dans la bande 5 150-5 250 MHz sont réservés uniquement pour une utilisation à l'intérieur afin de réduire les risques de brouillage préjudiciable aux systèmes de satellites mobiles utilisant les mêmes canaux;

(ii) le gain maximal d'antenne permis pour les dispositifs utilisant les bandes 5 250-5 350 MHz et 5 470-5 725 MHz doit se conformer à la limite de p.i.e.;

(iii) le gain maximal d'antenne permis (pour les dispositifs utilisant la bande 5 725-5 825 MHz) doit se conformer à la limite de p.i.e. spécifiée pour l'exploitation point à point et non point à point, selon le cas.

De plus, les utilisateurs devraient aussi être avisés que les utilisateurs de radars de haute puissance sont désignés utilisateurs principaux (c.-à-d., qu'ils ont la priorité) pour les bandes 5 250-5 350 MHz et 5 650-5 850 MHz et que ces radars pourraient causer du brouillage et/ou des dommages aux dispositifs LAN-EL.



Note: Aucune émission n'est permise dans la bande 5 600-5 650 MHz. Jusqu'à nouvel avis, les dispositifs visés par la présente annexe ne doivent pas être en mesure d'émettre dans la bande 5 600-5 650 MHz, afin de protéger les radars météorologiques d'Environnement Canada exploités dans cette bande.



Caution: Déclaration concernant l'exposition aux rayonnements de radiofréquences : cet équipement est conforme aux normes d'Industrie Canada relatives aux limites d'exposition humaine aux radiofréquences. Cet équipement doit être installé et utilisé à une distance minimale de 20 cm (7,9 pouces) entre le dispositif de radiocommunication et votre corps dans les gammes de 2,4 GHz et 5 GHz. Cet émetteur-récepteur ne doit pas être placé à proximité immédiate d'une autre antenne ou un d'autre émetteur-récepteur, ou ne doit pas être utilisé conjointement avec ceux-ci.

Hong Kong



Philippines



Singapore



Korean EMC Class B Warning

이 기기는 가정용(B급) 전자파적합기기로서 주로 가정에서 사용하는 것을 목적으로 하며, 모든 지역에서 사용할 수 있습니다.

Medical

- Equipment not suitable for use in the presence of flammable mixtures.
- End product system, including power supply, must be evaluated to IEC 60601-1-1 and IEC 60601-1 by the end user.
- Wipe with a dry cloth, no additional maintenance required.
- No serviceable parts, the unit must be sent back to the manufacturer for repair.
- No modifications are allowed without Dell approval.

第十二條

經型式認證合格之低功率射頻電機，非經許可，公司、商號或使用者均不得擅自變更頻率、加大功率或變更原設計之特性及功能。

第十四條

低功率射頻電機之使用不得影響飛航安全及干擾合法通信；經發現有干擾現象時，應立即停用，並改善至無干擾時方得繼續使用。

前項合法通信，指依電信法規定作業之無線電通信。

低功率射頻電機須忍受合法通信或工業、科學及醫療用電波輻射性電機設備之干擾。

Dell Networking W-IAP200 Series Wireless Instant Access Point

Installation Guide



Contacting Dell

Website Support	
Main Website	dell.com
Contact information	dell.com/contactdell
Support Website	dell.com/support
Documentation Website	dell.com/support/manuals

Copyright

© 2014 Aruba Networks, Inc. Aruba Networks trademarks include Airwave, Aruba Networks®, Aruba Wireless Networks®, the registered Aruba the Mobile Edge Company logo, and Aruba Mobility Management System®, Dell™, the DELL™ logo, and PowerConnect™ are trademarks of Dell Inc.

All rights reserved. Specifications in this manual are subject to change without notice.

Originated in the USA. All other trademarks are the property of their respective owners.

Open Source Code

Certain Aruba products include Open Source software code developed by third parties, including software code subject to the GNU General Public License (GPL), GNU Lesser General Public License (LGPL), or other Open Source Licenses. The Open Source code used can be found at this site:

http://www.arubanetworks.com/open_source

Includes software from Litech Systems Design. The IF-MAP client library copyright 2011 Infoblox, Inc. All rights reserved. This product includes software developed by Lars Fenneberg, et al.

Legal Notice

The use of Aruba Networks, Inc. switching platforms and software, by all individuals or corporations, to terminate other vendors' VPN client devices constitutes complete acceptance of liability by that individual or corporation for this action and indemnifies, in full, Aruba Networks, Inc. from any and all legal actions that might be taken against it with respect to infringement of copyright on behalf of those vendors.

[www.dell.com](#)

Dell Networking W-IAP200 Series Wireless Instant Access Point | Installation Guide
Part Number 0511621-01 | September 2014



0511621-01

Free Manuals Download Website

<http://myh66.com>

<http://usermanuals.us>

<http://www.somanuals.com>

<http://www.4manuals.cc>

<http://www.manual-lib.com>

<http://www.404manual.com>

<http://www.luxmanual.com>

<http://aubethermostatmanual.com>

Golf course search by state

<http://golfingnear.com>

Email search by domain

<http://emailbydomain.com>

Auto manuals search

<http://auto.somanuals.com>

TV manuals search

<http://tv.somanuals.com>