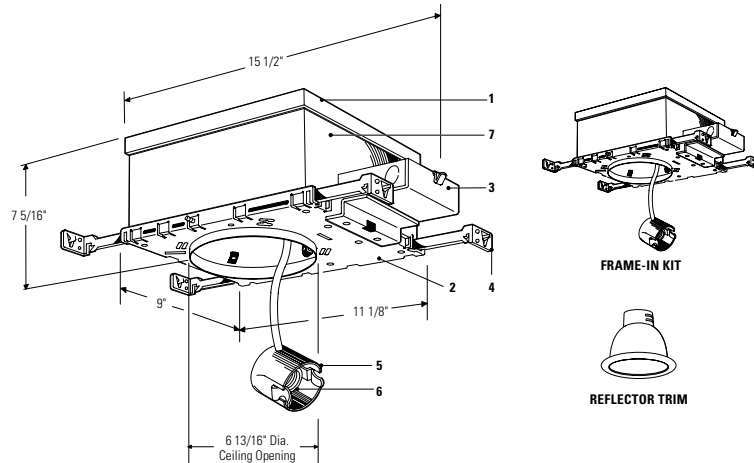


# Lytecaster<sup>®</sup> Recessed Downlighting **1100AICM**

Page 1 of 1

6 3/4" Aperture Incandescent Insulated Ceiling, AirSeal<sup>®</sup> Frame-In Kit



Complete Fixture consists of Reflector Trim & Frame-In Kit. Select each separately.

Frame-In Kit	Reflector Trims — See Individual Reflector Trim Specification Sheets										
	Open Downlight						Adjustable		Enclosed Diffusers	Open Wet Location	Wall Washer
Reflector	Satin Cone	Sloped Ceiling	Baffles	Basic White	Cross Blade	Recessed Line Volt.	Recessed Low Volt.				
1100AICM	1143 1144 1144CD	1108 1108NM 1110 1110NM	1131 1131WH 1131GD 1131CL 1131BK 1133 1133WH 1133GD 1133CL 1133BK	1105 1105WH 1105NM 1105BNM 1176 1176WH 1179M1 1179WH	1170M1 1171	1132	1129NM 1129 1129CD 1129CDNM 1129WH 1129CL 1129GD 1129BK	1155 1155WH 1161 1161WH 1163 1164	1121 1124 1126 1128 1134 1177SH 1178SH 1190	1184CD 1184WH	1185 1186 1186WH
	Cone:										
	1112 1112NM 1113 1113BK 1113WH 1113CD 1113NM 1113BKNM 1113CDNM										
							Eyeball				
							1122 1123 1182 1122WH 1123WH				

## Features

- Housing:** 0.026" galvanized steel. UL listed for direct contact with thermal insulation. AirSeal<sup>®</sup> housing minimizes air leakage to less than 2 CFM at 1.57 PSF, which complies with Model Energy Code (Section 602.3.3) and the Washington State Energy Code (Section 502.4) and reduces heat loss and condensation in ceiling. Access door for inspection of junction box.
- Mounting Frame:** 0.036 (#20 ga.) galvanized steel. Accommodates all ceilings up to 1" thick. 3/8" deep integral lip. Four slots are positioned 90° apart to simplify alignment. Push-in/twist-out rotoclips hold reflector flush to ceiling.
- Junction Box:** 2" X 4" X 4"; 0.063" (#14 ga.) galvanized steel. UL listed for maximum of 6 No. 12 ga., 90° C through branch circuit conductors. Quick release "L" shaped cover for outside access to wiring. Access door inside of housing allows easy inspection of wiring without removal of housing. Integral cable clamps permit attachment of nonmetallic Romex<sup>®</sup> or armored cable without the need for additional connectors.
- Mounting Bars:** 0.059" (#16 ga.) galvanized steel. 13" long bars extend to 27", rotatable and lockable, with integral T-bar tabs. Attach to wood joist or T-bar ceilings without need of accessories.
- Socket Housing:** Impact extruded aluminum or galvanized steel.
- Socket:** Porcelain medium base; nickel plated screw shell. Pre-wired with #18 ga. SF1 leads to junction box.
- Thermal Protector:** Meets NEC and UL requirements. Located inside housing.

## Labels

UL Type I.C. (Suitable for Damp Locations);

Complies with Air Leakage Requirements as stated in the Model Energy Code, California Title 24 and the Washington State Energy Code.

AirSeal<sup>®</sup> is a registered trademark of Lightolier

Romex<sup>®</sup> is a registered trademark of General Cable Industries Inc.

US Patent Numbers: 5,045,985; 4,751,624

Job Information	Type:
<b>Job Name:</b>	
<b>Cat. No.:</b>	
<b>Lamp(s):</b>	
<b>Notes:</b>	

## Options & Accessories

**Mounting Bars:** 1976 - 13" set of (4).

**Extra-Thick Ceiling Mounting Ring:** 1967A - up to 2" thick ceilings

Lightolier a Genlyte company

www.lightolier.com

631 Airport Road, Fall River, MA 02720 • (508) 679-8131 • Fax (508) 674-4710

We reserve the right to change details of design, materials and finish.

© 2006 Genlyte Group LLC • D0906

## Free Manuals Download Website

<http://myh66.com>

<http://usermanuals.us>

<http://www.somanuals.com>

<http://www.4manuals.cc>

<http://www.manual-lib.com>

<http://www.404manual.com>

<http://www.luxmanual.com>

<http://aubethermostatmanual.com>

Golf course search by state

<http://golfingnear.com>

Email search by domain

<http://emailbydomain.com>

Auto manuals search

<http://auto.somanuals.com>

TV manuals search

<http://tv.somanuals.com>