

GAS STOVE AND FIREPLACE INSERTS





DIRECT VENT GAS STOVES & INSERTS

AMERICA'S FAVORITE FIRE

Lopi heating appliances are designed and hand-assembled at our state-of-the-art plant in Mukilteo, Washington. With over 30 years of experience manufacturing innovative hearth products, Lopi has gained a reputation for standing behind every single product we make. And one thing that hasn't changed through the years is the quality of the construction, the beauty of our gas stoves and fireplace inserts, performance you can trust, along with our commitment to your satisfaction.

Whether you are new to the family of Lopi heating products or already a part of our family, we invite you to take a look at our newest gas products. We know you'll find your favorite fire.

HOW DO YOU SAY LOPI?

We hear a lot of different pronunciations - Lopey...Loopee...loppy!

It's actually pronounced Low-pie, and was created by our president, Kurt Rumens. The name was inspired by a love of the Northwest, a fascination with Native American culture and the nature and wildlife that live in this beautiful place. Lopi means beauty, strength and independence and has become a legend all its own.

WHY WE ONLY MAKE DIRECT VENT GAS APPLIANCES

The American Lung Association discourages the use of vent-less appliances or appliances that take combustion air from the inside of the home for health and environmental reasons. They recommend homeowners choose only sealed, direct vent gas appliances to preserve indoor and outdoor air quality and to prevent by-products such as carbon monoxide, soot and nitrogen dioxide from entering your home. Sealed gas appliance also prevent excess moisture from building up in your home. All Lopi direct vent gas stoves and fireplace inserts are sealed from the inside of the home and meet the guidelines of the American Lung Associations Health House program.

SEVEN YEAR "REAL WORLD" WARRANTY

Lopi's "Real World Warranty" puts other manufacturers lifetime warranties to shame. You will have the peace of mind knowing that your gas stove or insert is supported by certified factory trained installers and retailers. The firebox on Lopi gas appliance is covered for a FULL SEVEN YEARS. All parts and labor are covered for a FULL 2 YEARS. Compare our warranty to other manufacturer's and you will find most won't tell you about their one year parts warranty or that there is no labor coverage after the first year on ANYTHING! Lopi truly offers the BEST WARRANTY ON GAS APPLIANCES!



"Lopi is not so much a brand name as it is a tradition - of craftsmanship in the construction of our gas fireplaces, and of pride to the families who own them. We invite you to share this proud tradition"

KURT RUMENS
President

IS IT A WOOD OR GAS FIRE?



PATENTED EMBER-FYRE™ BURNER

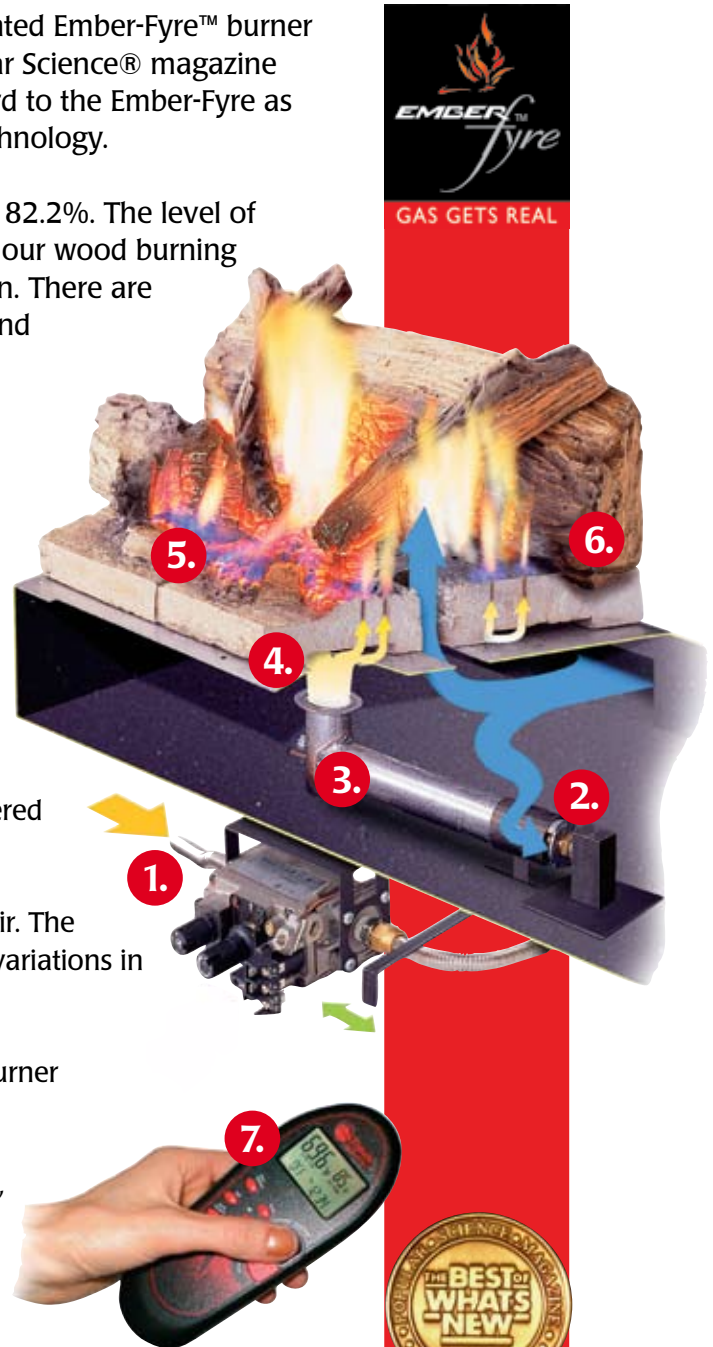
U. S. Patented #6,602,068; 6,443,726 and other patents pending.

Lopi gas stoves and fireplaces inserts feature the patented Ember-Fyre™ burner system in all the gas fireplaces in this brochure. Popular Science® magazine awarded the prestigious "BEST OF WHAT'S NEW" award to the Ember-Fyre as one of the year's top achievements in Science and Technology.

This combustion system delivers an efficiency of up to 82.2%. The level of realism is so remarkable it is difficult to tell apart from our wood burning appliances. Unlike other gas burners, the pilot is hidden. There are no unsightly burner tubes or metal pans and the fire and glowing embers are just as beautiful on the low flame setting as they are on high.

HOW IT WORKS:

1. Natural gas or propane is piped to a sophisticated SIT™ gas valve and started with the reliable Piezo ignition system. This gas burner is designed to provide reliable, continuous operation even if the power goes out in your home.
2. The low-pressure gas then flows to a precisely engineered burner orifice.
3. A hidden mixing tube combines the gas with outside air. The standard mix is set by the installer to compensate for variations in altitude, fuel type and line pressure.
4. The gas/air mixture flows through a unique array of burner ports in the ceramic base, where it ignites and burns.
5. As the Ember-Fyre™ burner heats to a deep red 1200°F, it mimics the look of glowing wood embers and charred logs. Dancing yellow flames further enhance the look and feel of a real wood fire.
6. The fire passes over the hand-carved logs that are so incredibly detailed, you'll be amazed they are not the real thing.
7. For hands-free operation the optional remote control, modulating control or wall thermostat allows you to set and maintain the comfort level of your home.



GAS GETS REAL



Popular Science



Berkshire shown in our Antique Slate porcelain enamel finish.

AROMATHERAPY



Pull-out Aromatherapy Tray and fill with your choice of essential oils.



Lopi cast iron freestanding gas stoves will not only warm your home, but has an optional Aromatherapy kit to promote physical and psychological well-being.

ESSENTIAL OIL KIT

The essential oils provided in the kit have been found to be successful in soothing, relaxing and energizing mind and body.

On Cloud Nine - Lavender oil to calm and relieve stress. It can also help you sleep.

Somebody Wake Up Edna - Eucalyptus oil to stimulate and energize. This essence is commonly used to improve mood as well as memory.

Passion Potion - Ylang Ylang oil intoxicates you with sensuality. Perfect for exciting your senses, and creating a loving mood.

Be sure to ask your Lopi dealer for a demonstration!

WHY BUY A LOPI GAS STOVE?



4

Lopi offers 3 distinct models to choose from:



The small cast iron rear vent Sturbridge™



The large cast iron, top vent Berkshire™



The large steel, top vent Heritage™

INCREDIBLE TECHNOLOGY

You'll be amazed at the realism of our gas fire thanks to our patented Ember-Fyre™ burner technology. Dancing yellow flames and glowing embers capture all the beauty of a real wood fire. It's the most realistic gas fire available - so real, you'll be tempted to stir the embers and add more wood. Why not have a little fun fooling your friends?

HEATER RATED

Like all Lopi gas products, our gas stoves are serious heaters. All stoves are listed as a heater rated furnace, with efficiencies exceeding 80%. Lopi gas stoves provide radiant heat to the immediate area with the added benefit of a built-in convection chamber, which circulates room air around the appliance and returns it to your room as heat. All stoves come equipped to burn natural gas (NG) or can easily be converted to propane (LP). The LP conversion kit is included with every stove at no additional cost.

FLEXIBLE INSTALLATION

All Lopi gas stoves feature direct vent technology and can be vented vertically or horizontally (out the back on the Sturbridge or off the top with the Berkshire and Heritage) adding location flexibility, and in many cases lowering installation cost.

Our gas stoves do not require any type of hearth pad in many installations, including wood flooring. Lopi gas stoves are approved for close clearances to the back wall without expensive heat shields. This saves valuable floor space and eliminates the requirement of an expensive non-combustible wall protection.

Lopi dealers are experts at assisting where to best install a stove or stoves in your home.



STURBRIDGE™ CAST IRON GAS STOVE



The Sturbridge is shown in the Oxford Brown porcelain enamel finish. Shown with optional Brick Fireback and Spice Granite Stone Kit.



Maximum BTU Input per Hour
18,000 (NG & LP)

Minimum BTU Output per Hour
9,900 (NG & LP)

Heating Capacity
Up to 850 sq. ft. with fan

Steady State Efficiency
Up to 80.1% (NG & LP)



The Sturbridge shown in New Iron paint finish

Named for Sturbridge Village, a New England center of Yankee craftsmanship, the award winning Sturbridge stove blends the efficiency of gas, with the look and feel of a traditional wood stove. This smaller more detailed version of our Berkshire gas stove offers cast iron construction, early American architectural details, and double doors that open up for direct fire viewing. The petite Sturbridge is designed to provide warmth for small rooms and is ideal for zonal heating. The Sturbridge gas stove was recognized for innovation by hearth industry experts with the VESTA® award as the year's best new gas stove.



AROMATHERAPY TRAY

Add the optional hidden Aromatherapy Tray to your Sturbridge. Aromatherapy soothes the spirit, invigorates the mind and relaxes the body. Add the optional Essential Oil selection of Eucalyptus, Lavender, and Ylang Ylang oils.



STURBRIDGE™ CAST IRON GAS STOVE

The economical and efficient rear vent Sturbridge gas stove offers finely cast, Early American architectural details and includes a beautiful warming/cooking tray. The Sturbridge has the option of matching side and top panels or your choice of beautiful stone sides and top in Travertine, Soapstone or Spice Granite. Double Palladian doors are a standard feature on all models.

Because it can operate without electricity, the Sturbridge will continue to heat no matter how severe the elements. Better still, gas can be affordable when used to zone heat, which means heating only the room you are using at the time.

The Sturbridge gas stove, so enchanting to watch and a treasure to own.

The Sturbridge gas stove is available in three finishes:

New Iron - a soft paint tone that echoes the richness of new cast iron.

Oxford Brown - a porcelain enamel features a strong translucent earthen tones that are similar to the rich glazes found in early American pottery.

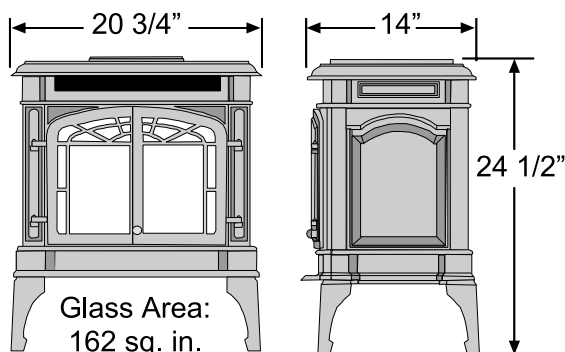
Antique Slate - the beautiful slate blue hue features a double enameled majolica finish where the lighter cream undercoat enamel shows through the highlights on the slate blue enamel. By accenting the edges and raised detail the finish takes on a unique three-dimensional appearance.



The New Iron painted Sturbridge is shown with standard cast side and top panels.



Any of the above three Sturbridge stoves can be enhanced with your choice of optional stone kits. The New Iron model shown here features the standard doors displayed with Spice Granite Stone Kit option.



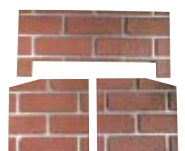
OPTIONS



Aromatherapy
Tray



Essential
Oils Kit



Cast Ceramic
Fireback



The Antique Slate porcelain enamel Sturbridge is shown with standard cast side and top panels.



The Oxford Brown porcelain enamel Sturbridge is shown with standard cast side and top panels.



The New Iron painted Sturbridge model is picture with the polished Travertine Stone Kit.



The New Iron painted Sturbridge model is picture with the Soap Stone Kit.



Omega™ Modulating Remote Control



Remote Control



Wall Thermostat



130 CFM Convection Fan



BERKSHIRE™ CAST IRON GAS STOVE

The Berkshire is shown in the Oxford Brown porcelain enamel finish. Enhancements include the Brick Fireback, Linenfold side and top panels, and painted flue pipe.



Maximum BTU Input per Hour
31,000 (NG & LP)

Minimum BTU Output per Hour
16,608 (NG & LP)

Heating Capacity
Up to 1,500 sq. ft. with fan

Steady State Efficiency
Up to 86.5% (NG & LP)



The Berkshire is shown above in the New Iron painted finish. The Brick Fireback completes the unit.

Think of the Berkshire as a functional work of art. It's classical balance and symmetry resembles a piece of fine furniture. This solidly built stove features decorative cast iron on the outside with a heavy-gauge unibody steel firebox for added durability. Design details include a large viewing area (18 inches wide by 10 3/4 inches high), raised Linenfold side panels, and delicate moldings typical of early American architectural style. Even when not in use, it's a standout element in any room. No wonder it's the best selling cast iron gas stove in America.

AROMATHERAPY TRAY

Add a touch of magic to your Berkshire. Aromatherapy is known to soothe the spirit, invigorate the mind and relax the body. Add the optional Essential Oil selection of Eucalyptus, Lavender, and Ylang Ylang oils to stimulate your senses.



ACCENT LIGHT

Add a warm glow even when the fire is turned off. The accent light option adds a glowing backlight behind the logs and against the optional ceramic brick fireback. It's perfect as a night-light or soft indirect light for the room.





BERKSHIRE™ CAST IRON GAS STOVE

When the temperature drops, snow drifts blow against your door and the streets are dark because the power fails, nothing gives you peace of mind like the heat from your Lopi cast iron gas appliance. Rapid heat transfer and outstanding durability are built into the steel fire-box, "patent-worthy technology" perfected over the past twenty five years.

The traditional early American look of the Berkshire gas stove is a collaboration of efforts between the famous Red House Design team and the renowned Lopi designers.

This stove embodies a sense of balance and symmetry that one experiences in the finest furniture.

With all its design quality and styling, the Berkshire gas stove is sure to provide warmth and security to your family today and for years to come.

The Berkshire gas stove is available in three finishes:

New Iron - a soft paint tone that echoes the richness of new cast iron.

Oxford Brown - a porcelain enamel similar to the earth tones of early American pottery.

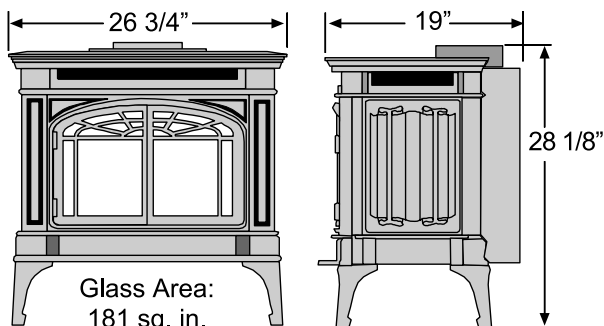
Antique Slate - the beautiful slate blue hue features a double enameled majolica finish where the lighter cream undercoat enamel shows through the highlights on the slate blue enamel. By accenting the edges and raised detail the finish takes on a unique three-dimensional appearance.



The New Iron painted Berkshire understates the durability and beauty of cast iron construction. This soft paint finish highlights the delicate moldings and design details. This model comes with the Linenfold side and top panels.



Any of the Berkshire stoves can be enhanced with your choice of optional travertine, soapstone or spice granite stone kits. The New Iron stove is shown with the optional Soapstone Kit.



OPTIONS



Aromatherapy
Tray



Essential
Oils Kit



Accent
Light Kit

The Oxford Brown model features porcelain enamel in the earth hues and tones found in early American pottery.

This gloss finish softly reflects light from the relief carving of the Linenfold side panels and the traditional, colonial architectural details featured throughout the Berkshire line.

Shown with optional Brick Fireback and Linenfold side panels.



The panels comes standard on the New Iron Berkshire, they are optional on the Antique Slate and Oxford Brown models.

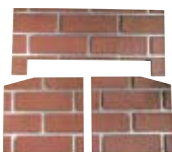


The Oxford Brown enameled Berkshire model is picture with the Spice Granite Stone Kit.



The Antique Slate enameled Berkshire is pictured with the Brick Fireback and optional Linenfold Side Kit.

The subtle appeal and riches of granite is universal. This rugged material is mined then polished with precision to bring out the warm color and earth tones of the minerals locked in the stone.



Cast Ceramic Fireback



Omega™ Modulating Remote Control



Remote Control



Wall Thermostat



130 CFM Convection Fan



HERITAGE™ STEEL GAS STOVE

13

The Heritage is shown with the optional Pewter door, Pewter convection grill and Brick Fireback.



Maximum BTU Input per Hour
43,000 (NG & LP)

Minimum BTU Output per Hour
23,384 NG & 20,800 LP

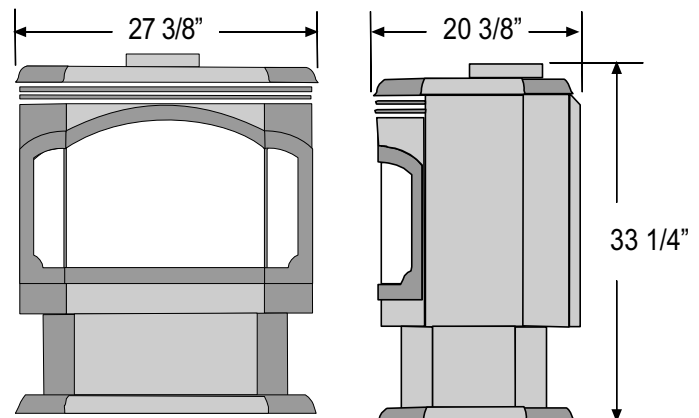
Heating Capacity
Up to 2,000 sq. ft.

Steady State Efficiency
Up to 78% NG & 81% LP



The Heritage is shown above in the charcoal painted finish. The Brick Fireback completes the unit.

The Heritage DVL Freestanding Stove features a remarkable balance of beauty and performance. It generates up to 43,000 BTUs per hour, yet offers an overall efficiency of 78% with natural gas and 81% with propane. The Heritage is certified as a "direct vent furnace" distinguishing it from non-heating "decorative" gas appliances. This makes it the most versatile heat source for your home, townhouse, or for zonal heating in large homes. A state-of-the-art ignition system keeps the fire burning even when your electricity fails. Add splendor to the standard black model with an optional cast brick fireback, or enhance the arched bayview door and decorative grill in a 24 karat gold or pewter finish.



Glass Area:
366 sq. in.



GAS STOVE SPECIFICATIONS

15

SELECT YOUR STOVE

Sizing, heating and performance specifications. The information on this page is for reference ONLY! Installation information is available through your Lopi dealer or through the Lopi website at www.lopifire.com



1 STURBRIDGE

Heating Capacity:*
650 - 850 Sq. Ft.

Maximum BTU/HR Input:
18,000 (NG/LP)

Minimum BTU/HR Output:
9,900 (NG/LP)

Overall Efficiency:**
Up to 80.1% (NG/LP)

AFUE:
Up to 67.8% (NG/LP)

Powerful Fan:
80 CFM Optional

Unit Height: 24 1/2"

Unit Width in Front: 20 3/4"

Overall Depth: 14"

2 BERKSHIRE

Heating Capacity:*
500 to 1,500 Sq. Ft. w/blower

Maximum BTU/HR Input:
31,000 (NG/LP)

Minimum BTU/HR Output:
16,608 (NG/LP)

Overall Efficiency:**
86.5% (NG/LP)

AFUE:
72.8% (NG/LP)

Powerful Fan:
130 CFM Optional

Unit Height: 28 1/8"

Unit Width in Front: 26 3/4"

Overall Depth: 19"

3 HERITAGE

Heating Capacity:*
Up to 2,000 Sq. Ft.

Maximum BTU/HR Input:
43,000 (NG/LP)

Minimum BTU/HR Output:
23,384 NG, 20,800 LP

Overall Efficiency:**
78% NG, 81% LP

AFUE:
71% NG, 73.7% LP

Powerful Fan:
180 CFM Optional

Unit Height: 33 1/4"

Unit Width in Front: 27 3/8"

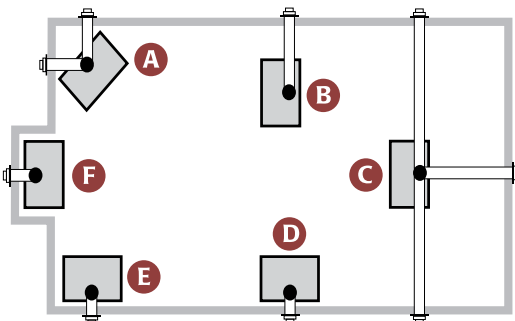
Overall Depth: 20 3/8"

* Gas appliance performance can be affected by negative pressure in the home and by prevailing atmospheric conditions. Contact local building or fire officials about restrictions and installation requirements in your area.

** Overall efficiency measured with maximum flue configuration. Heating capacity shown with blower.

LOCATION OPTIONS WITH DIRECT VENT SYSTEM.

Our Direct Venting System provides for horizontal or vertical venting through the outside wall or ceiling, allowing you to install your stove virtually anywhere in the room.



You can install your stove in any of these configurations:

- A - Corner
- B - Room Divider
- C - Island
- D - Flat on Wall
- E - Flat on Wall Corner
- F - Flat with Wall/Alcove

Where would you like the stove to be installed in your home?

GAS STOVE SPECIFICATIONS



1 STURBRIDGE **2 BERKSHIRE** **3 HERITAGE**

CLEARANCES TO COMBUSTIBLES See Diagram (1) below.

All measurements are measured from stove top to combustible walls.

A - Stove to Sidewall: 3 1/2"	A - Stove to Sidewall: 10"	A - Stove to Sidewall: 10"
B - Stove to Backwall: 4 3/4"	B - Stove to Backwall: 5"	B - Stove to Backwall: 4"
C - Stove to Corner: 1"	C - Stove to Corner: 5"	C - Stove to Corner: 4"

MINIMUM ALCOVE CLEARANCES See Diagram (2) below.

D - Min. Width: 27 3/4"	D - Min. Width: 46 3/4"	D - Min. Width: 48"
E - Max. Depth: 48"	E - Max. Depth: 45"	E - Max. Depth: 48"
F - Min. Height: 36"	F - Min. Height: 58"	F - Min. Height: 60"

MEASURED FROM FLUE CENTERS See Diagram (3) below.

Rear Vent H = 18 1/2"	Top Vent G = 2 1/8"	Top Vent G = 6 1/4"
--------------------------	------------------------	------------------------

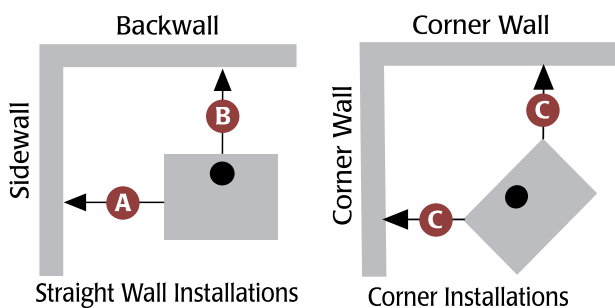
HEARTH PAD

A non-combustible hearth pad is required when the stove is installed directly on carpeting, vinyl or combustible flooring other than wood, the non-combustible hearth pad must extend the full width and depth of the stove. No hearth pad is required if the stove is installed on non-combustible flooring (tile, stone, brick) or if installed on a wood or wood laminate floor.

Minimum Size: 20 3/4" x 14"	Minimum Size: 26 3/4" x 19"	Minimum Size: 27 3/8" x 20 3/8"
--------------------------------	--------------------------------	------------------------------------

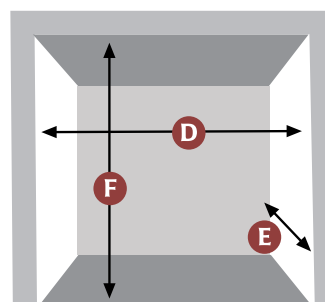
CLEARANCES

Diagram (1)



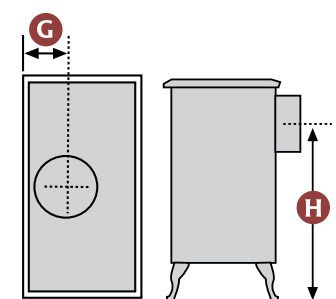
ALCOVE

Diagram (2)



FLUE CENTERS

Diagram (3)





WHY BUY A LOPI FIREPLACE INSERT?

17

Most of us enjoy sitting around an open fireplace in our home. Sadly we now know the fireplace chimney is actually drawing heat out of the home. In fact an open fireplace sends up to 80% of the fire's heat up the chimney and depletes warm air from surrounding rooms. A Lopi gas insert is more than five times as efficient as an open fireplace and distributes warm air throughout the home. You can convert your wasteful masonry or metal fireplace into a super-efficient hearth system that can heat your home for a fraction of what you'd pay for electricity or oil.

Lopi gas inserts feature standard 130 CFM convection fans and an optional remote control or thermostat for added home owner convenience and comfort.

HOW TO SELECT A FIREPLACE INSERT

1. DETERMINE YOUR EXISTING FIREPLACE

The first step is determining whether you have a metal (zero clearance) or masonry fireplace. Your Lopi dealer can help you if you need it. They can also provide you with your new air intake and exhaust systems. It is important that this work is done by a hearth professional.

2. SELECT YOUR FIREPLACE INSERT

Next determine which insert best fits your needs based on your heating requirements and the size of your fireplace opening. We offer DVS (Direct Vent Small) and DVL (Direct Vent Large) sized inserts. Size your fireplace by using the chart on the bottom of page 23. Again, your Lopi dealer is an expert in guiding you.

3. CHOOSE YOUR SURROUND PANEL

Choose the correct size and preferred style of insert panel. (see page 24)

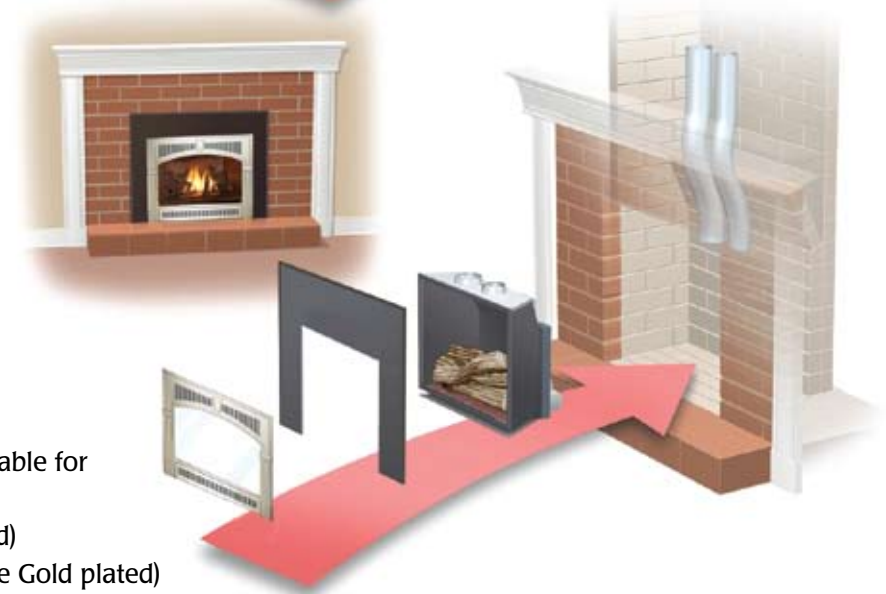
3. ADD A CUSTOM FACE

There are four custom door frames available for the DVS & DVL inserts:

Wilmington (Black paint or Pewter plated)

Discovery (Black paint, Pewter or Antique Gold plated)

Cast Iron Bedford (New Iron paint - DVS only)



BEDFORD™ DVS FIREPLACE INSERT

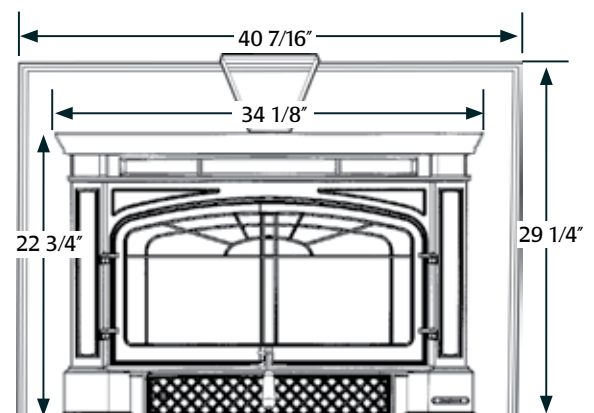


18



Bedford DVS Insert shown with the optional Common Brick Fireback

Looking for an insert that reflects the charm and beauty of classic early American architecture? Then look no further than the Bedford gas insert. Made from real cast iron, the Bedford features the traditional look of a cast iron fireplace merged with amazing performance of the latest heating technology. This lovely insert takes the performance of a modern fireplace and adds the heat benefit of radiant cast iron surfaces to triple the efficiency of your old fireplace. The Bedford features large opening double doors for a real wood-insert look and comes with beautifully detailed cast iron panels to perfectly finish off your fireplace. The Bedford cast iron fireplace insert face is only available on the DVS insert.





DISCOVERY™ FIREPLACE INSERT

19



DVS Insert shown with the Discovery face 8" panels and optional pewter door.

Want to turn your old inefficient fireplace into a beautiful source of heat? Then let the Lopi Discover fireplace insert transform your drab, drafty masonry or metal, zero clearance fireplace into the focal point of your home. Enjoy the warmth as realistic flames leap above the glowing logset. The Ember-Fyre™ burner and unique two stage heat exchange system achieves up to a remarkable 80% efficiency with natural gas and 80.5% with propane. You will also find the Discovery is economical to operate and easy to install in to your existing fireplace.



Black Painted Door



Antique Gold Plated Door



Pewter Plated Door

DISCOVERY™ FIREPLACE INSERT



20



DVL Insert shown with Antique Gold door, 8" Arched Panels and Herringbone Brick Fireback.

The DVS & DVL fireplace inserts are certified as a "direct vent furnace," distinguishing them from just "decorative" gas appliances. The Discovery's outstanding flush design features an arched door, beautiful curved detail and an incredible view of the gas fire that is so realistic you would swear it was real wood burning. Standard equipment includes a powerful variable speed 130 CFM convection fan that will allow you to heat up to 2,000 square feet (DVL Insert). This makes the Lopi fireplace insert, the ideal choice for heating medium to large homes, townhouses and condominiums.

To complete the picture after the insert is installed in your fireplace, a set of panels are attached to the insert to accommodate the size variance between the custom insert face and the size of your existing fireplace opening.



WILMINGTON™ FIREPLACE INSERT

21



DVS Insert shown with the Black Wilmington face 4" x 6" Panels and optional Straight Brick Fireback.

The DVS and DVL fireplace inserts are available with the Wilmington face. This design can enhance a wide range of looks and home designs from traditional to contemporary. The Wilmington face is available in a black painted or beautiful pewter plated finish with finely raised detail.

The optional pewter plated Arabesque grills are available to enhance the look even further. Switch between standard vertical grills which ship with the face or the optional pewter plated Arabesque grills depending on your home decorating style.

Don't forget to add the beautiful reversible Firebrick Liner or Accent Light options to complete your Wilmington fireplace insert.

WILMINGTON™ FIREPLACE INSERT



DVL Insert shown with the Pewter Wilmington face, 4" x 6" Panels with optional Arabesque Grills and Herringbone Brick Fireback.



Black Painted Wilmington Face



Or order the optional pewter plated Arabesque Grills



Black Painted Wilmington Face with Arabesque Grills



Pewter Plated Wilmington Face



Or order the optional pewter plated Arabesque Grills



Pewter Plated Wilmington Face with Arabesque Grills



GAS INSERT SPECIFICATIONS

23



1 DVS-DIRECT VENT SMALL

- Heating Capacity:***
500 - 1,500 Sq. Ft.
- Maximum BTU/HR Input:****
31,000 (NG/LP)
- Minimum BTU/HR Output:**
18,600 (NG) 16,000 (LP)
- Steady State Efficiency:**** (with blowers on)
80% (NG) 80.5% (LP)
- AFUE:**
72.1% (NG) 73.9% (LP)
- Powerful Fan:**
130 CFM Standard
- Unit Height:** 19 1/2"
- Unit Width in Front:** 26 1/2"
- Overall Depth:** 15 1/8"

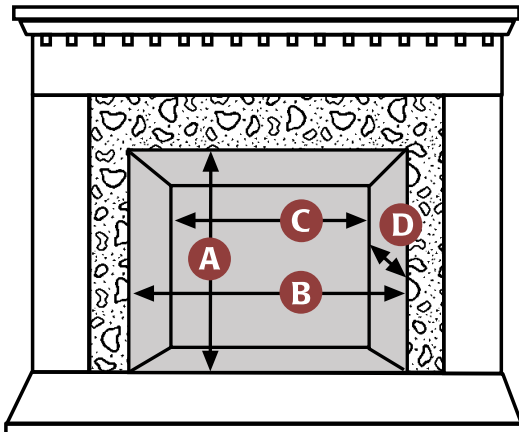
2 DVL-DIRECT VENT LARGE

- Heating Capacity:***
600 - 2,000 Sq. Ft.
- Maximum BTU/HR Input:****
40,000 (NG/LP)
- Minimum BTU/HR Output:**
20,300 (NG), 19,700 (LP)
- Steady State Efficiency:**** (with blowers on)
79.3% (NG) 81.2% (LP)
- AFUE:**
Up to 71.7% (NG), 73.4% (LP)
- Powerful Fan:**
130 CFM Standard
- Unit Height:** 23 3/4"
- Unit Width in Front:** 31 1/2"
- Overall Depth:** 14 1/2"

* Heating Capacity will vary with floor plan, insulation, and outside temperature.

** Efficiency rating is a product of thermal efficiency determined under continuous operation independent of installed system.

MEASURE YOUR FIREPLACE FOR AN INSERT



DVS MINIMUM FIREPLACE DIMENSIONS

- A = Height 19 1/2"
- B = Front Width 27"
- C = Back Width 18"
- D = Depth 15 1/8"

DVL MINIMUM FIREPLACE DIMENSIONS

- A = Height 23 3/4"
- B = Front Width 32"
- C = Back Width 20"
- D = Depth 14 1/2"

FIREPLACE INSERT SURROUND PANELS



To complete the picture after the insert is installed in your fireplace, a set of panels are attached to the insert to accommodate the size variance between the custom insert face and the size of your existing fireplace opening.

Lopi offers four different ways to finish off your fireplace insert.

RECTANGULAR FINISH PANELS

Designed to fit over the existing fireplace opening. These panels can also be cut down to fit within the opening of the fireplace.



Shown with panels extending over the fireplace opening



Shown with panels cut down to fit the inside of the fireplace opening

DVS Panel Coverage

4" x 6"	37 1/8" W x 25" H
8" x 10"	40 3/8" W x 28 7/8" H
10" x 13"	44 3/8" W x 31 7/8" H

DVL Panels Coverage

4" x 6"	40" W x 29" H
8" x 10"	44 3/16" W x 33 3/8" H
10" x 13"	48 3/16" W x 36 3/8" H

ARCHED FINISH PANELS

If you have an arch opening or arched fireplace mantel Lopi offers Arched Panels to match the arched design of your existing fireplace.



Arch Panels are available for both the DVS and DVL in 8" x 10" and 10" x 13" panel sizes.

LOWER ZC PANEL

Designed to be used with Rectangular Finish Panels. This panel offers a finished look to fireplace that are elevated above the floor.



This panel is trimmable and will cover up to 7" below the insert. The Lower ZC Panel also include extended trim to replace the side trim that comes with the standard panel sets

CLEARANCES TO COMBUSTIBLES

1 DVS

- A = Floor to Mantel 35"*
- B = Floor to Top Facing 35"*
- C = Insert to Sidewall 4 1/2"
- D = Insert to Side Facing 4 1/2"
- E = Extension onto Hearth 1 1/4"
- F = Hearth Not Required

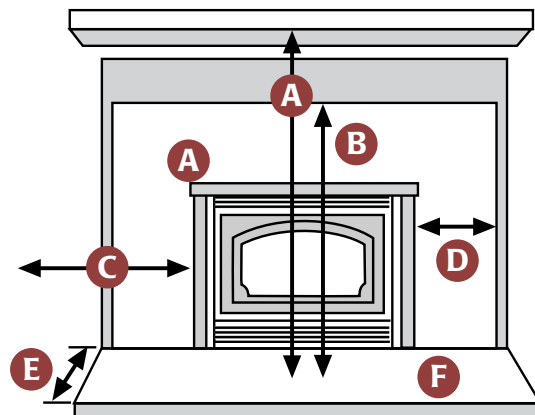
* Measured from the base of the insert.

The non-combustible top facing must extend 1" above the top of the surround panels

2 DVL

- A = Floor to Mantel* 35 1/2"*
- B = Floor to Top Facing 35 1/2"*
- C = Insert to Sidewall 4"
- D = Insert to Side Facing 4"
- E = Extension onto Hearth 1 1/4"
- F = Hearth Not Required

* Measured from the base of the insert.





FIREPLACE INSERT OPTIONS

REVERSIBLE FIREBACK

All gas inserts feature the option of adding a realistic ceramic brick fireback that looks like real masonry brick. The firebacks are reversible and offer you the choice of Common Brick or Herringbone Brick patterns.



Common Straight Brick Pattern



Herringbone Brick Pattern

ACCENT LIGHT



Add a back light to accent both the logs and the fireplace interior. The accent light can be operated even when the flame is off to give the appearance of a fire's glow.

WALL THERMOSTAT

The wall thermostat provides the ability to set the desired temperature that you would like for the room. The fireplace will cycle on and off to maintain your set temperature. The wall thermostat can be wired up to 25 feet away from the appliance and allows you to set the room temperature you wish to maintain in your home.



REMOTE CONTROLS



BASIC REMOTE CONTROL

The basic remote control offers ON/OFF and thermostat controls to your gas fireplace insert. This control also offers a fireplace timer to turn off your insert and a child-proof lockout.



OMEGA™ MODULATING REMOTE CONTROL

The Omega provides for the ultimate in remote control operation of your fireplace insert. The Omega remote offers ON/OFF and thermostat controls along with modulating (high to low) control of the flame, heat output, convection fan speed and intensity of the accent light. This control also offers a fireplace timer to turn off your insert and a child-proof lockout.

QUALITY - INNOVATION - RELIABILITY



26

LOPI GAS TECHNOLOGY

The gas fires in our stoves and inserts are so beautiful, it is hard to believe you are not staring into a wood fire. What appears to be a beautiful, antique wood stove is actually the most technologically advanced gas burning stove ever designed.

1. Lopi cast iron gas appliances feature only the finest detailed cast iron components. Our steel stoves and inserts use a heavier gauge steel than found in most competitive models.
2. All Lopi gas appliances feature a unibody and welded steel firebox concealed inside the stove body. The use of the steel firebox ensured durability and faster heat transfer.
3. The sophisticated built-in convection heat exchanger draws cool room air naturally into the convection chamber below the unit and circulates it around the steel firebox. This warmed air is returned to the room via the convection ports above the doors, sides of the unit and through warming grates on top of the unit.
4. Controls to turn the burner On and Off along with the controls for the optional fan are easily accessed from the back of the unit.
5. An optional convection blower (standard on inserts) improves the circulation of heated convection air around the firebox and stove shell, increasing efficiency and heating capacity.
6. All Lopi gas appliances feature direct vent technology; the entire combustion process, air intake and exhaust system is completely isolated from the interior home environment, guaranteeing optimum air quality. Combustion air is drawn into the sealed combustion zone via a chamber in the double-wall vent system. Exhaust gases exit the center of that same vent.
7. Your Lopi Factory Certified installer is able to further dial in the appearance of the fire by setting the restrictor(s). A simple adjustment allows the installer to finely tune both the intake and exhaust restrictors, creating that "Showroom Fire" in your home.





Only the most professional specialty hearth retailers are selected to sell Lopi stoves, inserts and fireplaces. They represent our total commitment to exceptional products and excellent service. In addition, they have successfully completed special training programs in the proper selection, installation and service of all Lopi products.

Your professional Lopi hearth dealers are experts who can advise you on everything from customizing the color of your appliance to selecting appropriate venting and chimney materials. They can show you Lopi models on display, including working models actually burning.



Lopi produces a wide variety of quality wood, pellet, gas and electric hearth appliances.
Ask your dealer for details.

Find your favorite fire today by visiting www.lopifire.com



Lopi products are made
in the U.S.A. with pride.



Your Authorized Lopi Dealer Is Located At:

Free Manuals Download Website

<http://myh66.com>

<http://usermanuals.us>

<http://www.somanuals.com>

<http://www.4manuals.cc>

<http://www.manual-lib.com>

<http://www.404manual.com>

<http://www.luxmanual.com>

<http://aubethermostatmanual.com>

Golf course search by state

<http://golfingnear.com>

Email search by domain

<http://emailbydomain.com>

Auto manuals search

<http://auto.somanuals.com>

TV manuals search

<http://tv.somanuals.com>