



Tranquility Stones Kit

Installation Instructions

Model: TQS36

for use on Gas Fireplace Models:

DVBR36RN* (GFCN3J0)

* The Tranquility Stones may also be used if the unit is converted to propane



C US



CAUTION: This kit is designed for use on the above gas fireplace models **ONLY**.

CAUTION: This kit must be installed by a qualified service technician.

Read the instructions carefully before beginning the installation.



CAUTION: Allow the unit to cool completely if it has been in operation.

Kit contents: Stone tray, stones (30), ceramic overlay, hardware package, installation instructions.

Check the contents of the carton with contents list. If any parts are missing or damaged, contact your dealer.

Turn OFF gas supply and electric supply to the unit before beginning.

Installation Instructions

1. Remove valve cover. (Fig. 1)
2. Release the two (2) clamps at the bottom of the window frame by pulling back on the clamp handles. (Fig. 2)
3. Lift off the glass frame. (Fig. 2)
4. Remove the logs and any ember material from the fireplace. Discard logs and ember material.
5. Remove the two (2) screws securing the grate. Remove the grate and reinstall the two (2) screws. (Fig. 3) Discard grate.

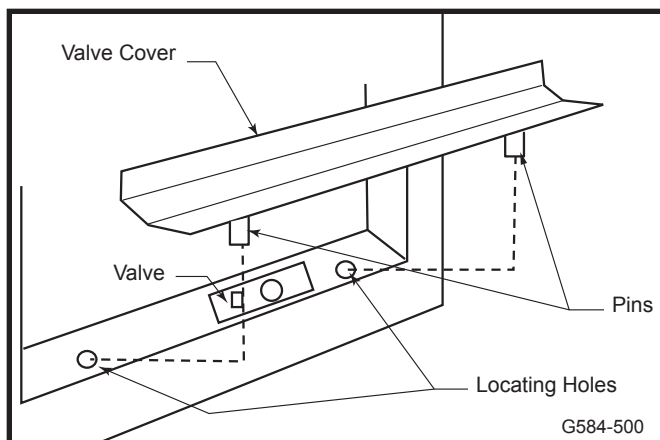


Fig. 1 Remove valve cover.

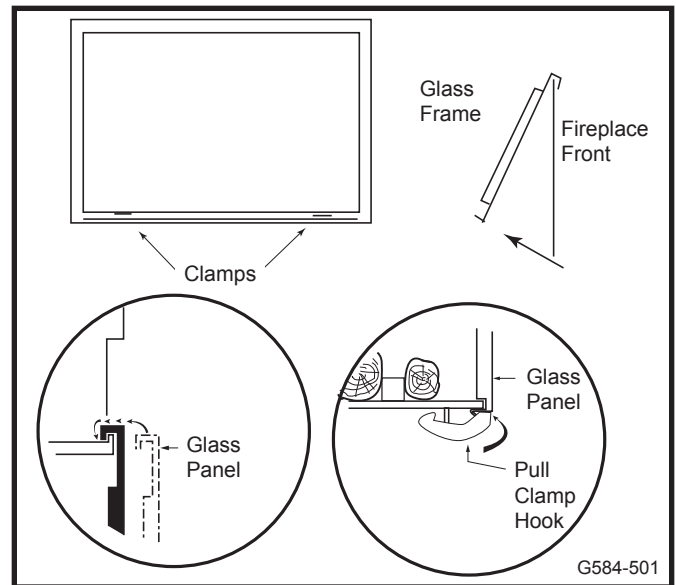


Fig. 2 Remove glass frame.

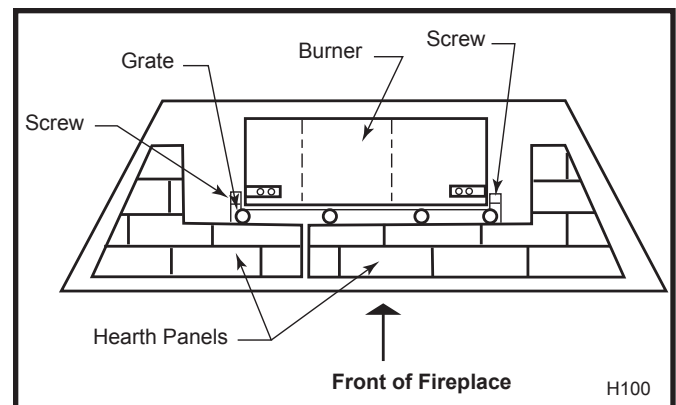


Fig. 3 Remove grate.

6. If there is any lava rock on the hearth panels, remove and set aside. Remove and discard hearth panels.
7. Install the stone tray in the fireplace. The two (2) small holes on the right side back of the assembly fit over the two (2) studs on the rear log support. (Figs. 4 & 5)
8. Secure the stone tray in position with the two (2) nuts and one (1) screw provided. (Fig. 5)
9. Replace any lava rock removed from the fireplace.

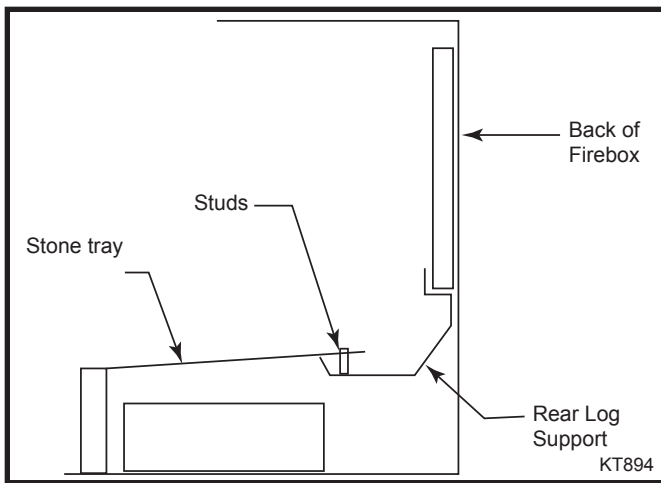


Fig. 4 Place stone tray in firebox.

10. Place the overlay on the stone tray. Be sure the holes in the overlay align with the holes in the stone tray. (Fig. 5)

11. Remove the stones from their packaging.

CAUTION: Ceramic stones are fragile. Handle with care.

Place the tranquility stones on the overlay as shown in photographs on Pages 3 and 4. Refer to Figure 6 for stone identity. Be sure the stones are not placed over the holes in the overlay.

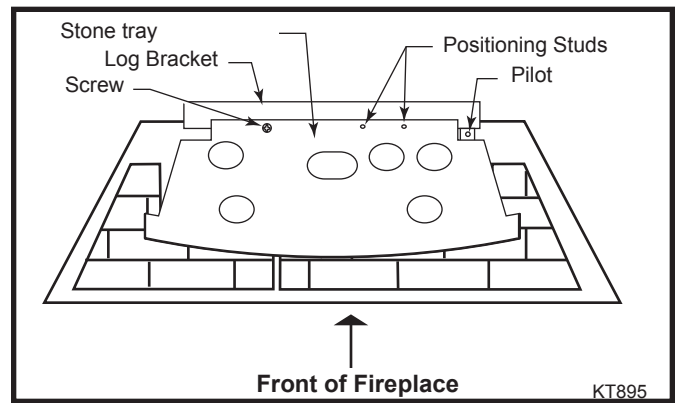


Fig. 5 Top view of stone tray in place.

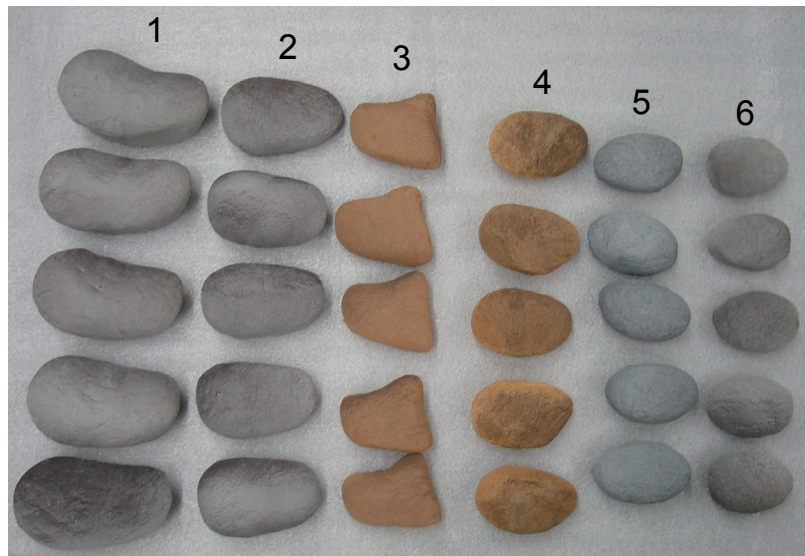


Fig. 6 Tranquility stones.

Place Stone 1



Place Stone 2



Place Stone 3



Place Stone 4



Place Stone 5



Place Stone 6

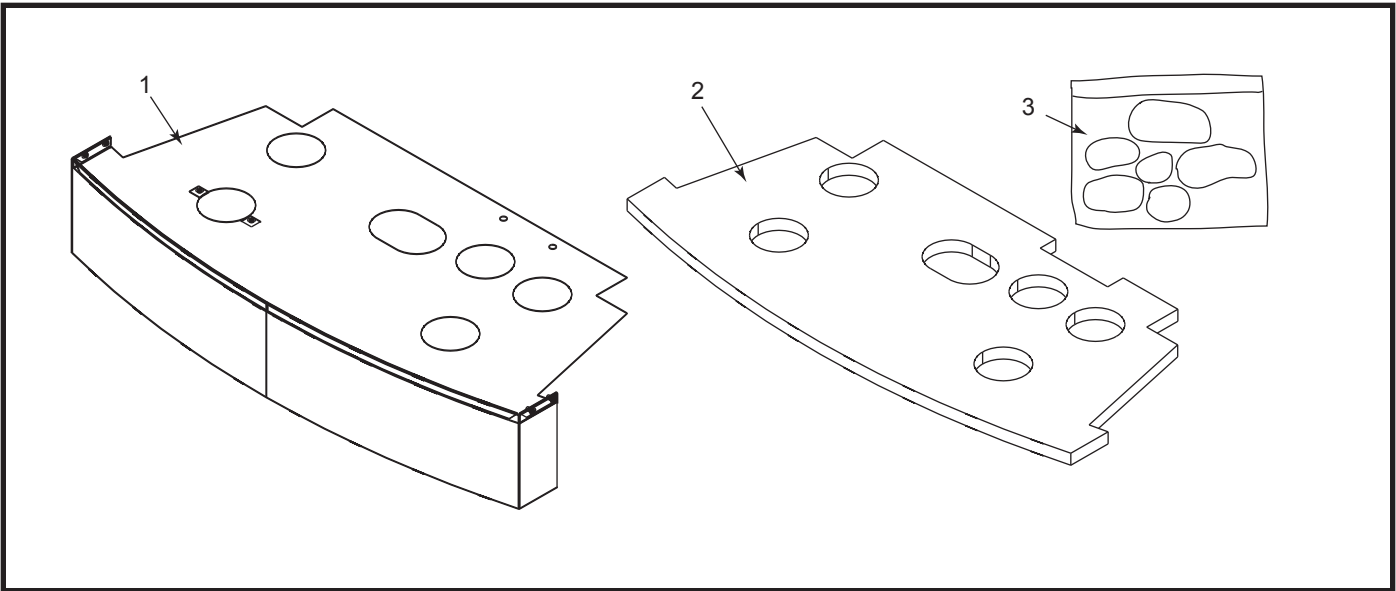




Fig. 7 Tranquility stones' flame appearance.

12. Reinstall the glass frame.
13. Turn the gas supply ON and light the pilot. Turn valve to the "ON" position.
14. Reinstall valve cover.
15. Turn the electric power ON.
16. Turn fireplace on following lighting instructions in Homeowner's Manual. Compare flame height to that shown in Figure 8. Check to see the flames are not touching the stones. If the flames impinge on the stones, turn the unit off, allow to cool and follow Steps 1 to 3. Adjust the stones and follow Steps 12 to 14.

Tranquility Stone installation complete.



CFM Corporation reserves the right to make changes in design, materials, specifications, prices and discontinue colors and products at any time, without notice.

Tranquility Stones (GATA4S0)

Ref.	Description	Part No.
1.	Stone Tray	20012565
2.	Ceramic Overlay	20013081
3.	Stones - pkg (6)	20013053

CFM Corporation

2695 Meadowvale Blvd. • Mississauga, Ontario, Canada L5N 8A3
800-668-5323 • www.cfmcorp.com

Free Manuals Download Website

<http://myh66.com>

<http://usermanuals.us>

<http://www.somanuals.com>

<http://www.4manuals.cc>

<http://www.manual-lib.com>

<http://www.404manual.com>

<http://www.luxmanual.com>

<http://aubethermostatmanual.com>

Golf course search by state

<http://golfingnear.com>

Email search by domain

<http://emailbydomain.com>

Auto manuals search

<http://auto.somanuals.com>

TV manuals search

<http://tv.somanuals.com>