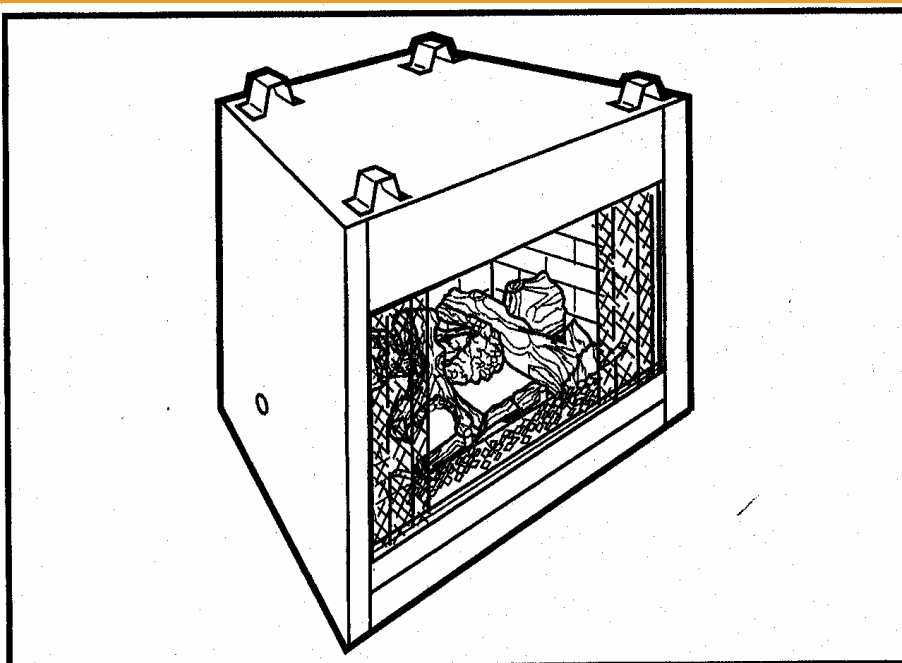


# MAJESTIC OUTDOOR GAS FIREPLACE

Model: ODGSR36ANAU &  
ODGSR36APAU



## Installation and Operating Instructions

# CONTENTS

## Part 1: For Your Safety

## Part 2: Installation Instructions

- General Information
- Fireplace Dimensions
- Clearance to Combustibles
- Mantels
- Mantel Chart
- Hearth
- Framing and Finishing
- Final Finishing
- Gas Specifications
- Gas Inlet and Burner Pressures
- High Elevations
- Valve Access
- Gas Fitting Line Installation

## Part 3: Operating Instructions

- Log Installation
- Lava Rock
- First Firing
- Flame Adjustment
- Flame Characteristics
- Lighting and Operating Instructions
- Troubleshooting

## Part 4 Maintenance

## Part 5 Replacement Parts

## Part 6 Warranty

## Part 1: For Your Safety

For your safety do not operate this appliance before reading this instruction book.

**WARNING:** Improper installation, adjustment, alteration, service or maintenance can cause injury or property damage. For assistance or additional information consult with Raypak Australia, your Raypak distributor, qualified installer or accredited Rheem Australia Service agency.

### WHAT TO DO IF YOU SMELL GAS?

**DO NOT** try to light any gas appliance.

**DO NOT** touch any electrical switch.

Turn off gas supply at meter.

Immediately call Rheem Service or your gas supplier or licensed gas fitter.

**Note:** Some gases are heavier than air and it maybe necessary to check for gas leaks at floor level.

### CAUTION!

**DO NOT** operate this appliance before reading this instruction booklet.

**DO NOT** place articles or objects on or against the appliance.

**DO NOT** store chemicals or flammable materials near this appliance.

**DO NOT** spray aerosols in the vicinity of this appliance whilst it is in operation.

PRIMARILY A DECORATIVE APPLIANCE – NOT CERTIFIED AS A SPACE HEATER.

TO REDUCE THE RISK OF FIRE OR INJURY FROM BURNS AND FOR THE PROTECTION OF YOUNG CHILDREN OR THE INFIRM, A SECONDARY GUARD IS RECOMMENDED.

## GENERAL INFORMATION

### FOR SAFE INSTALLATION AND OPERATION OF YOUR GAS APPLIANCE PLEASE NOTE THE FOLLOWING:

- a) This appliance gives off high temperatures and should be located out of high traffic areas and away from outdoor furniture and blinds or curtains.
- b) Children and adults should be alerted to the hazards of high surface temperatures of this appliance and should stay away to avoid burns or ignition of clothing.
- c) Children should be carefully supervised when they are in the vicinity of the appliance.
- d) Under no circumstances should this appliance be modified. Parts removed for servicing should be replaced prior to operating this appliance again.
- e) Installation and any repairs to this appliance must be carried out by a suitably qualified and licensed service person. A professional service person should be contacted to inspect this appliance annually. Make it a practice to have you gas appliances serviced annually.
- f) Control compartments, burners and air passages in this appliance should be kept clear of dust and lint. Make sure that the gas valve and pilot light are turned off before you attempt to clean this unit.
- g) Keep the area around your appliance clear of combustible materials, gasoline and other flammable vapour and liquids. This appliance should not be used as a drying rack for clothing etc.
- h) Under no circumstances should any solid fuels (wood, coal, paper, cardboard etc. be used in this appliance.
- i) This heater must be installed on a metal or wood base extending the full width and depth of the heater. This insert cannot be installed directly onto or into combustible materials.
- j) Do not use this appliance if any part has been under water. Immediately call a qualified service technician to inspect the appliance and to replace any part of the gas control system that has been under water.

## Part 2: Installation Instructions

### General

The gas log fires must be installed by a licensed gas fitter in accordance with requirements set out in AS5601 and any applicable building code regulations.

The ODGSR Series are radiant gas log fires and are designed for outdoor installation only and must be located so it is protected from rain.

Do not burn wood or other materials in this appliance. These units are available for use on either Propane or Natural gases. Refer to the appliance data plate for correct gas type, gas consumption, gas pressure and injector size details.

Contact Raypak Australia if any parts are damaged or dislodged during shipment.

## Ventilation Requirements

Adequate combustion and ventilation air must be provided. The flow of combustion and ventilation air MUST NOT be obstructed.

**NOTE:** THIS APPLIANCE MUST NOT BE INSTALLED OR USED INDOORS.

This appliance shall only be used in an above ground, open-air situation with natural ventilation, without stagnant areas, where gas leakage and products of combustion are rapidly dispersed by wind and natural convection.

Any enclosure in which the appliance is used shall comply with one of the following:

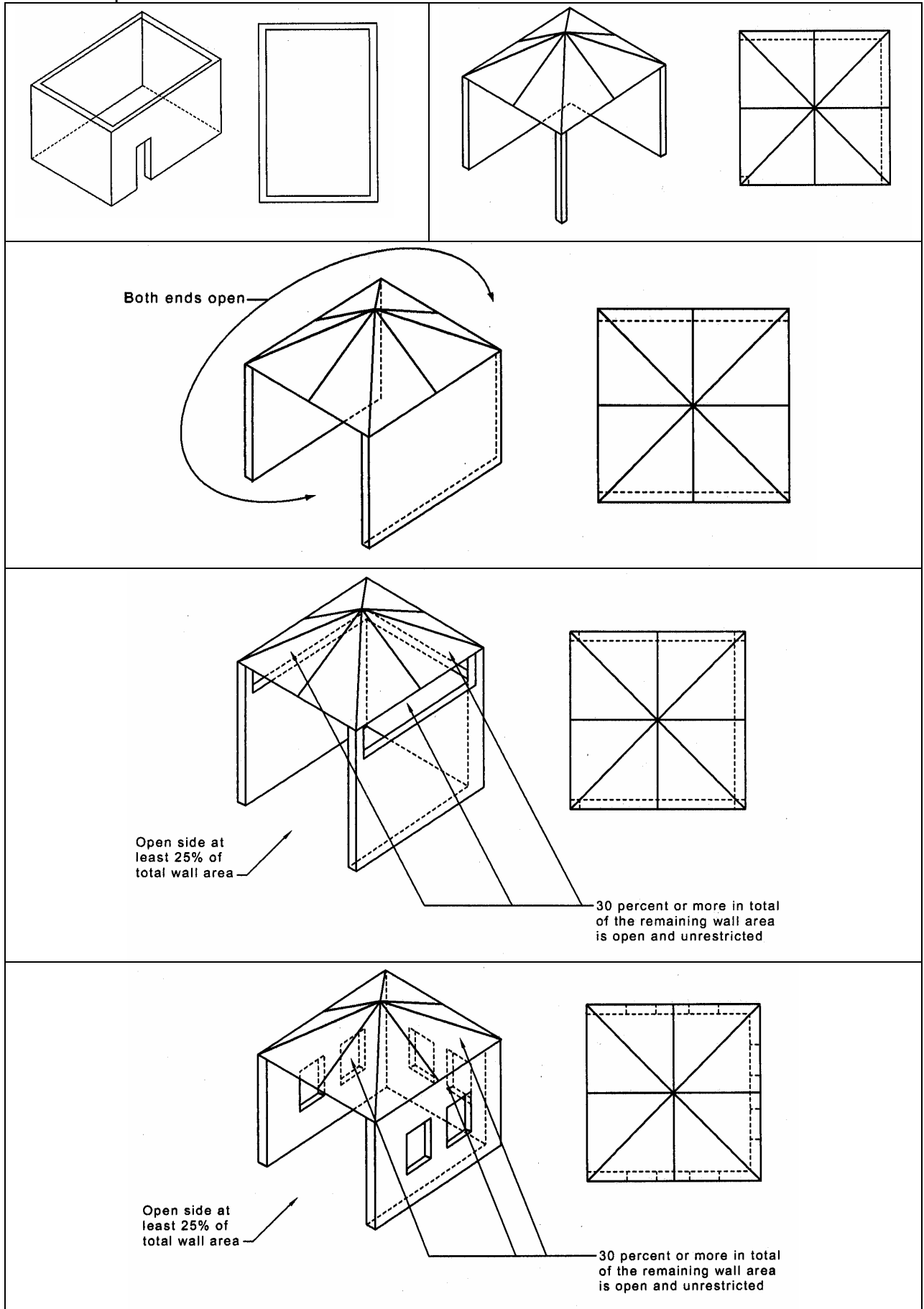
- An enclosure with walls on all sides but at least one permanent opening at ground level and no overhead cover (and protected from rain).
- Within a partial enclosure that includes an overhead cover and no more than two walls.
- Within a partial enclosure that includes an overhead cover and more than two walls with at least 25% of the total wall area completely open AND at least 30% of the remaining wall area open and unrestricted.
- In the case of balconies, at least 20% of the total wall area shall be and remain open and unrestricted.

Diagrams on the following page illustrate examples of "outdoor areas".

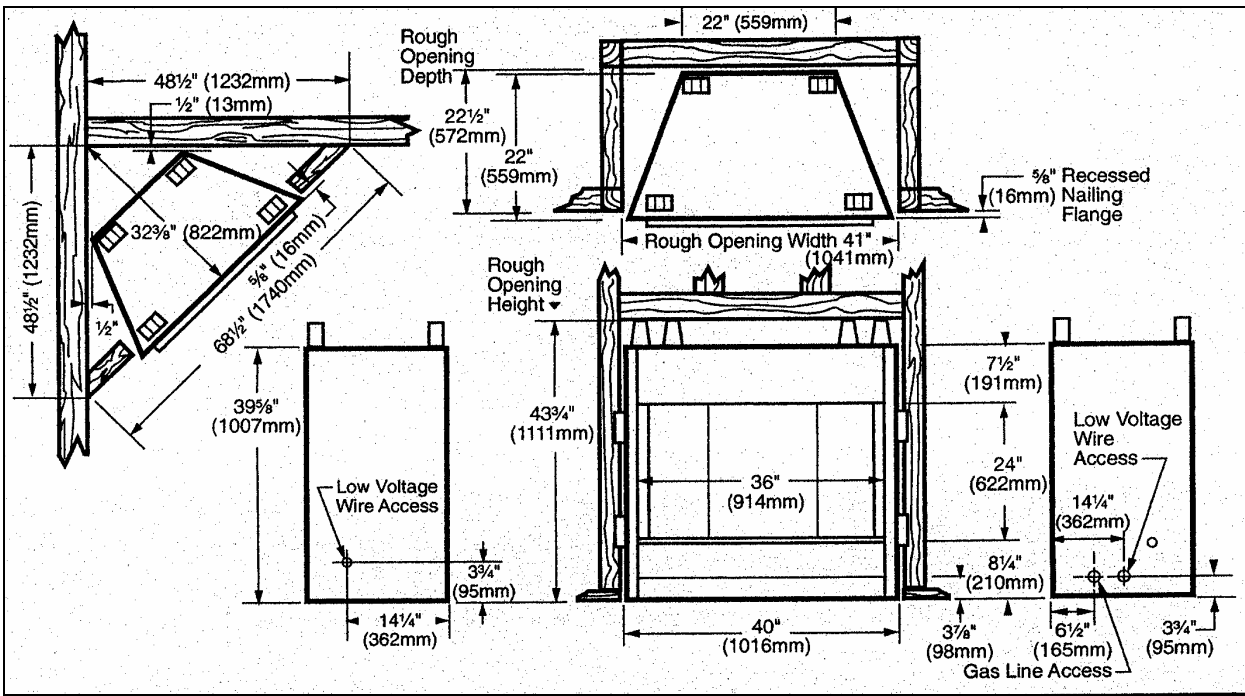
Provide adequate clearances around the air opening into the combustion chamber and adequate accessibility clearance for servicing and proper operation. NEVER obstruct the front opening of the appliance.

**This appliance is not designed to be water tight. Therefore, when installing this unit against an exterior wall, the wall must be finished before setting the appliance in place, and the appliance must be located in an area protected from rain.**

See examples below of Outdoor Areas:



**Figure 1:** Overall and framing dimensions.



**Clearance to Combustibles (Refer Figure 1)**

Top framing .....	0 mm to standoff spacer
Bottom.....	0 mm
Side framing .....	0 mm to standoff spacer
Back framing .....	0 mm to standoff spacer
Perpendicular Sidewall.....	0 mm
Top of unit to ceiling.....	915 mm
Front of unit to combustibles.....	915 mm

**Hearth**

A hearth is not mandatory but is recommended for aesthetic purposes. We recommend a non-combustible hearth.

**Mantels**

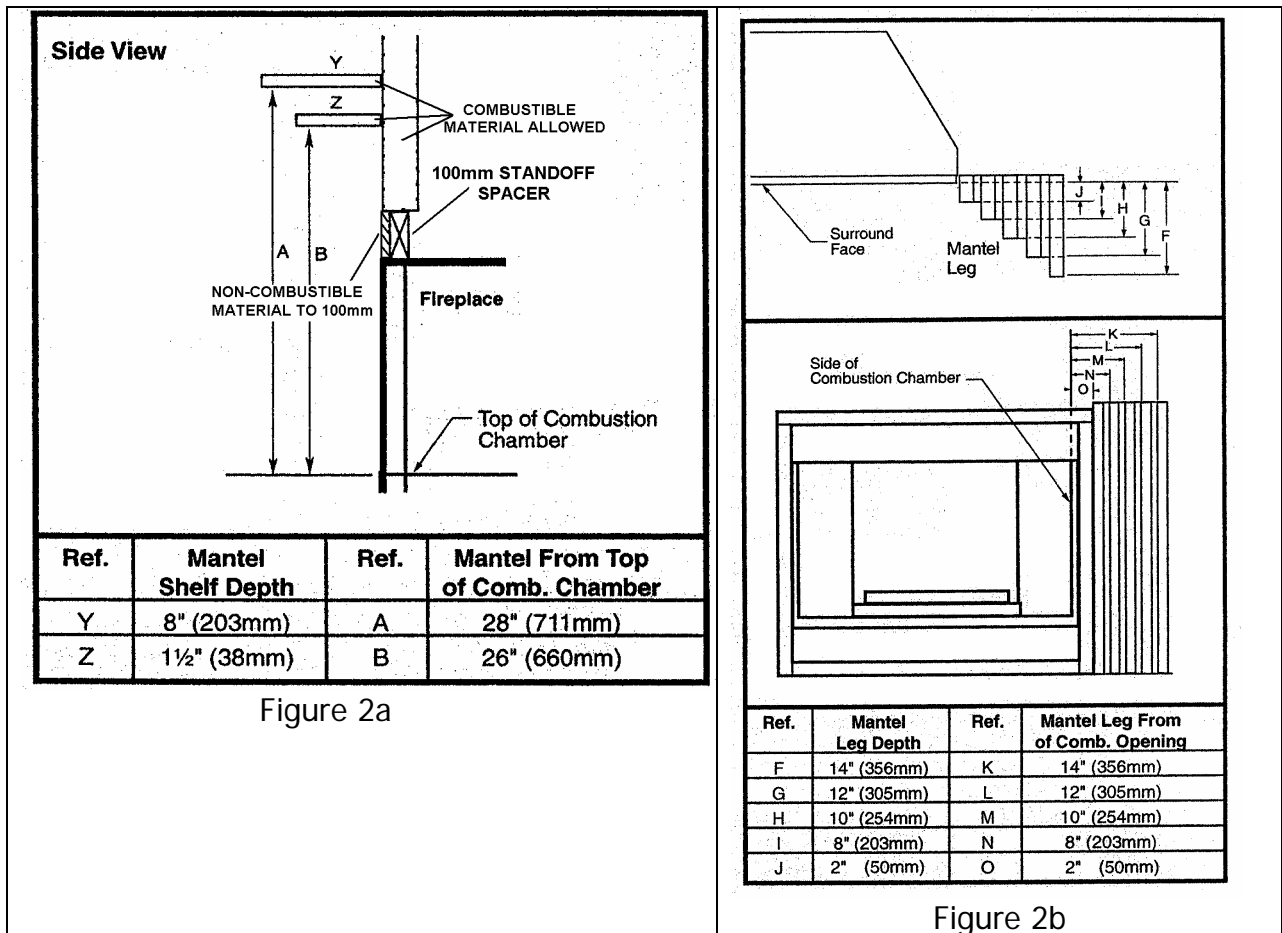
The height that a combustible mantel is fitted above the fireplace is dependent on the depth of the mantel. This also applies to the distance between the mantel leg (if fitted) and the fireplace.

For the correct mounting height and widths refer to Figures 2a and 2b.

Non-combustible mantels and legs may be installed at any height and width around the appliance.

**Warning:** When using paint or lacquer to finish the mantel, such paint or lacquer must be heat resistant to prevent discolouration.

: A minimum of 100mm above the fireplace must be non-combustible material (eg fibre cement sheeting).



## Framing and Finishing

**Warning: Check appliance to make sure it is levelled and properly positioned.**

The appliance should only be mounted on the following surfaces:

- A flat combustible (burnable) surface.
- A raised wooden platform.
- A concrete block or other solid object placed beneath each of the four corners of the appliance.

To mount the appliance:

1. Choose unit location.
2. Four (4) nailing flanges are supplied with the fireplace (located on the fireplace hearth). To level the box and secure it firmly in place, remove the nailing flanges from the hearth and install at the sides of the fireplace as shown in Figure 3



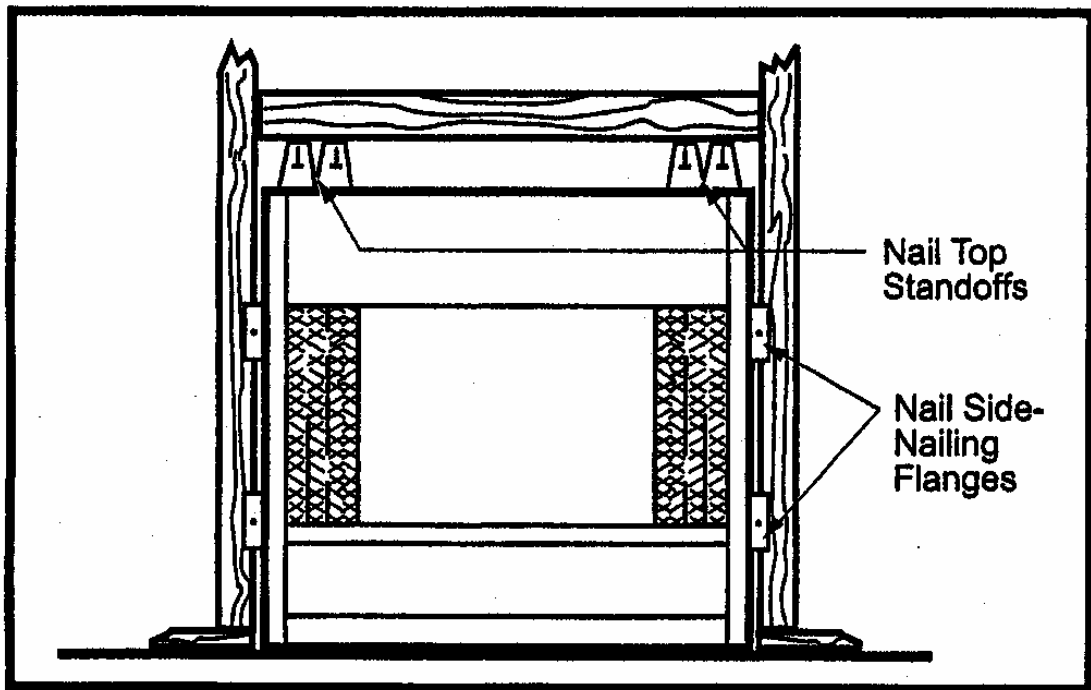


Figure 3

**Finishing**

**CAUTION:** All joints between the finished wall and the appliance surround (top and sides) may be sealed only with a non-combustible material. Only non-combustible material can be applied as facing to the appliance surround as per Figures 2a and 2b.

**Gas Specification (always refer to appliance Data plate)**

GAS SPECIFICATION				
MODEL	GAS TYPE	GAS CONTROL	Max Input MJ/h	Min Input MJ/h
ODGSR36ANAU	Nat	Millivolt Hi/Lo	60	43
ODGSR36APAU	Propane	Millivolt Hi/Lo	60	44

GAS INLET AND MANIFOLD PRESSURE kPa		
	NATURAL	PROPANE
Min Supply Pressure	1.13	2.75
Max Supply Pressure	3.50	3.50
Burner Test point Pressure	0.80	2.50

The gas control valve has test point connections for both inlet and burner test point (outlet) pressures, integral with the valve.

## Valve Access

Valve can be accessed in one of two ways:

1. Remove the front panel just below the front of the hearth pan. This is accomplished by lifting on the panel. To replace the valve access panel line up the two pins with the holes in the surround bottom and push the panel over the hearth pan. (Refer Figure 4)
2. Lift the brick with Majestic logo on it (Refer Figure 5)

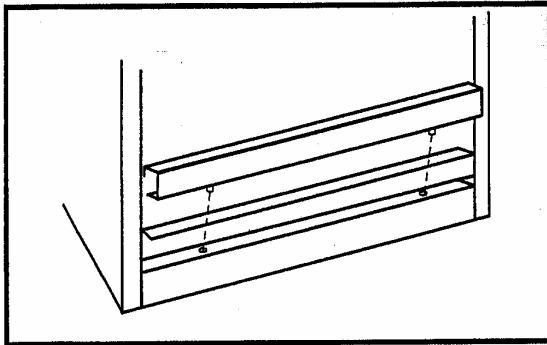


Figure 4

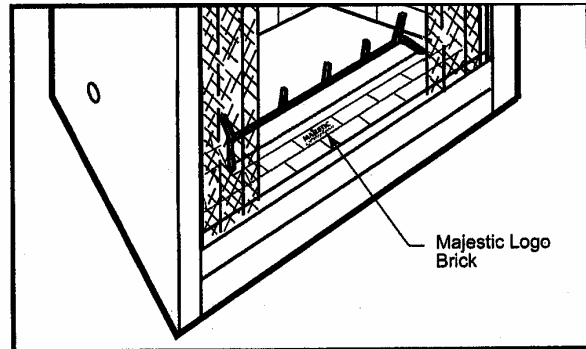


Figure 5

## Gas Line Installation

The gas valve inlet is ½" BSP internal (female) thread. The inlet piping connection, sizing and appliance isolating valve must be installed in accordance with AS5601.

The gas inlet piping can be brought in through the right side of the appliance. A hole is provided to allow for the gas pipe installation and testing of any gas connection.

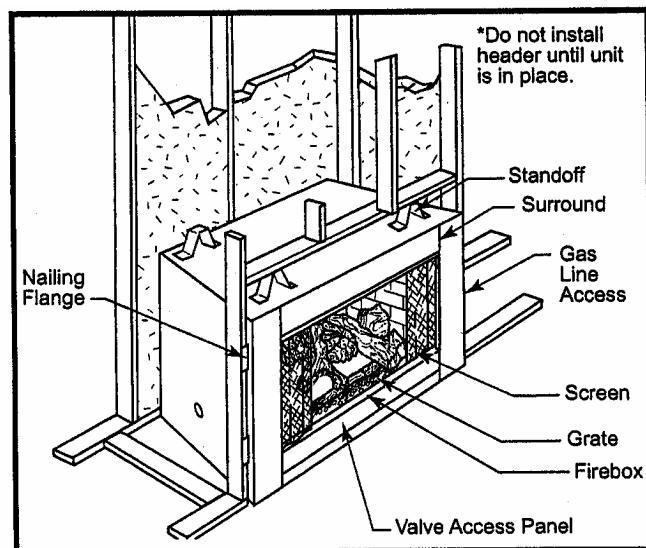


Figure 6 : Parts identification

**NOTE:** Test for leaks after connection. Use a 50/50 solution of liquid soap and water to test for leaks at gas fittings and joints. Apply soapy water with a brush only – do not over apply.

**NEVER TEST WITH AN OPEN FLAME.**

## Part 3: Operating Instructions

### Log Installation

**Warning:** As with all plastic bags, these bags are not toys and should always be kept away from children and infants.

1. Remove logs from packaging.
2. Place left rear log on rear support. Ensure that log is firmly positioned and there is no side to side movement. (Refer to Figure 11)
3. Carefully place ember log between grate and burner.
4. Place the front of right rear log on the burner and the back of the log on the rear log support.
5. Place the top logs onto the locator notches. Ensure the logs are secure.

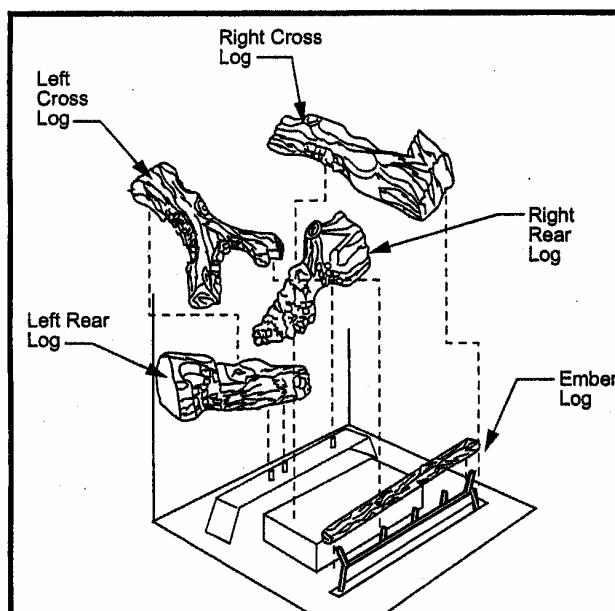


Figure 11

### First Firing

Upon completion of the gas fitting line, a small amount of air will be trapped in the gas pipe. When first lighting the pilot light, it will take a few minutes to purge the trapped air.

Once purging is complete, the pilot and burner will light and will operate as outlined in the instruction manual. Subsequent lighting of the appliance will not require purging.

When lit for the first time, the appliance will emit a slight odour for an hour or two. This is due to the paint and lubricants used in the manufacturing process.

## Flame Adjustment

For units equipped with Hi/Lo valves, flame adjustment is achieved by rotating the Hi/Lo adjustment knob located near the centre of the gas control valve.

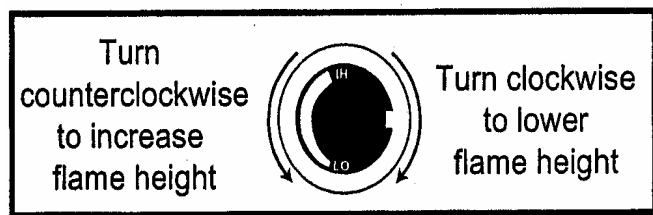


Figure 12 – SIT 820 Gas Control Knob

## Flame Characteristics

It is important to periodically perform a visual check of the pilot and the burner flames (refer Figures 13 & 14).

The burner flame is checked after 5 minutes operation. It should be mainly a yellow flame with possibly some blue flame at the base. The yellow flame should not be producing soot deposits (insufficient air). The flame should not be excessively blue and noisy (excess air).

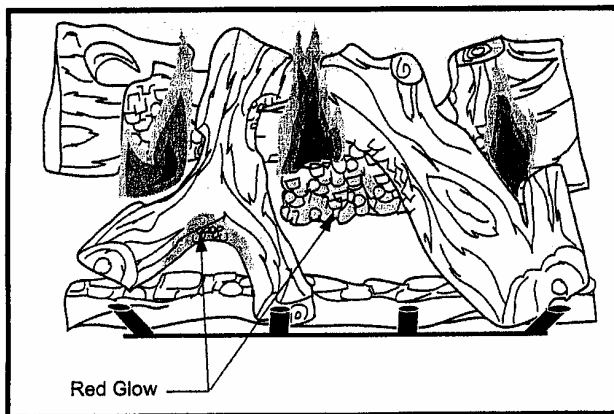


Figure 13

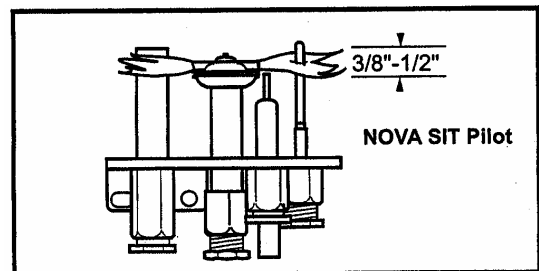


Figure 14

If any of the flames appear abnormal call a Rheem service or your licensed service technician.

# Lighting and Operating Instructions

## FOR YOUR SAFETY READ BEFORE LIGHTING

**WARNING:** If you do not follow these instructions exactly, a fire or explosion may result causing property damage, personal injury or loss of life.

- A. This heater has a pilot which must be lit manually. When lighting the pilot follow these instructions exactly.
- B. **BEFORE LIGHTING** smell all around the heater area for gas. Be sure to smell next to the floor because some gas is heavier than air and will settle on the floor.

### WHAT TO DO IF YOU SMELL GAS

- Do not try to light any fireplace
- Do not touch any electric switch
- Do not use any phone in your building
- Immediately call your gas supplier from a neighbor's phone. Follow the gas supplier's instructions.

- If you cannot reach your gas supplier, call the Fire Department

- C. Use only your hand to push in or turn the gas control knob. Never use tools. If the knob will not push in or turn by hand, do not try to repair it, call a qualified service technician. Applying force or any attempted repair may result in a fire or explosion.
- D. Do not use this fireplace if any part has been under water. Immediately call a qualified service technician to inspect the heater and to replace any part of the control system and any gas control which has been under water.

## Lighting Instructions

1. **STOP!** Read the safety information above.
2. Turn **OFF** all electrical power to the fireplace.
3. For MN/MP/TN/TP appliances **ONLY**, go on to Step 4. For RN/RP appliances turn the On/Off switch to **"OFF"** position or set thermostat to lowest level.
4. Open control access panel.
5. Push in gas control knob slightly and turn clockwise to **"OFF"**.



Euro SIT      SIT NOVA      Honeywell

6. Wait five (5) minutes to clear out any gas. Then smell for gas, including near the floor. If you smell gas, **STOP!** Follow "B" in the safety information above. If you do not smell gas, go to the next step.
7. Remove glass door before lighting pilot. (See Glass Frame Removal section).
8. Visibly locate pilot by the main burner.
9. Turn knob on gas control counterclockwise to **"PILOT"**.

10. Push the control knob all the way in and hold. Immediately light the pilot by repeatedly depressing the piezo spark ignitor until a flame appears. Continue to hold the control knob in for about one (1) minute after the pilot is lit. Release knob and it will pop back up. Pilot should remain lit. If it goes out, repeat steps 5 through 8.



- If knob does not pop up when released, stop and immediately call your service technician or gas supplier.
  - If after several tries, the pilot will not stay lit, turn the gas control knob to **"OFF"** and call your service technician or gas supplier.
11. Replace glass door.
  12. Turn gas control knob to **"ON"** position.
  13. For RN/RP appliances turn the On/Off switch to **"ON"** position or set thermostat to desired setting.
  14. Turn on all electrical power to the fireplace.

## To Turn Off Gas to Heater

1. Turn the On/Off switch to **"OFF"** position or set the thermostat to lowest setting.
2. Turn off all electric power to the fireplace if service is to be performed.

3. Open control access panel.
4. Push in gas control knob slightly and turn clockwise to **"OFF"**. Do not force.
5. Close control access panel.



### Burner and burner compartment

It is important to keep the burner and the burner compartment clean. At least once a year the logs should be removed and the burner compartment vacuumed and wiped out. Remove and replace the logs as per the instructions in this manual.

**Always handle the logs with care as they are fragile and may also be hot if the fireplace is in use.**

### Cleaning the Standing Pilot Control System

The burner and control system consists of:

- Main burner
- Gas orifice
- Pilot burner
- Thermopile
- Combination millivolt gas valve

Most of these components may require only an occasional check-up and cleaning and some may require adjustment. If repair is necessary, it should be performed a qualified and suitably licensed service technician.

In order to properly clean the burner and pilot assembly, turn off the gas to the unit, remove all logs exposing the burner and pilot assembly. Clean all foreign materials from the top of the burner. Check to make sure that burner parts are clean. Visually inspect pilot. Brush or blow away any dust or lint accumulation. If the pilot injector is blocked, disassembly by a qualified service technician may be required to remove the foreign matter.

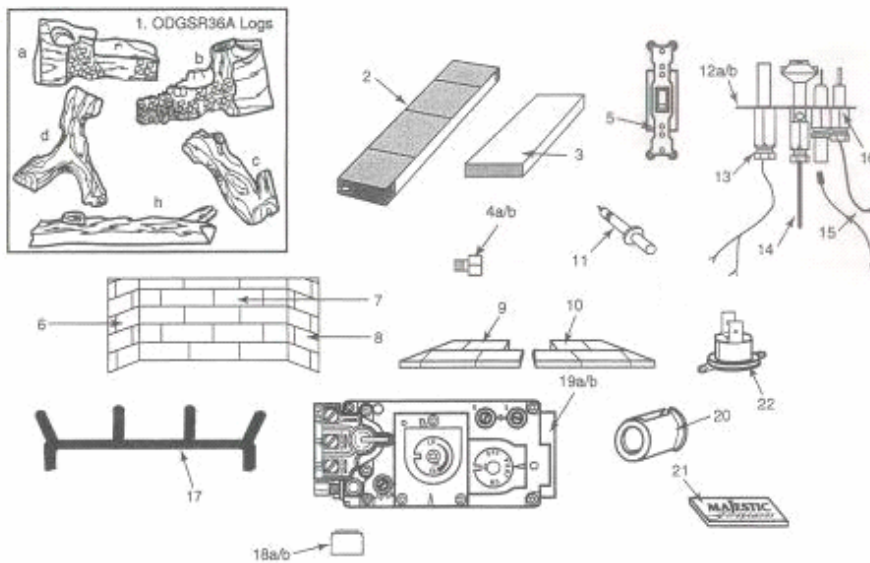
To obtain proper operation, it is imperative that the pilot and burner's flame characteristics are steady not lifting or floating.

Typically the top 1 to 1.5cm of the thermopile should be engulfed in the pilot flame.

To adjust the pilot burner, turn pilot screw marked "pilot" for the proper flame size.

The aeration shutter is set at the factory and no adjustment should be necessary.

## Parts List



## ODGSR36A

Ref.	Description	ODGSR36A
1.	Logs - Complete Set	20007180
1a.	Log - Left Rear	20007175
1b.	Log - Right Rear	20007176
1c.	Log - Right Cross	20007178
1d.	Log - Left Cross	20007177
1h.	Front Ember Log	20007179
2.	Burner Housing Assembly	20007119
3.	Ceramic Tile (single)	57803
4a.	Burner Orifice - Natural (Manifold & Orifice)	20007106
4b.	Burner Orifice - LP (Manifold & Orifice)	20007159
5.	Remote Switch Kit	53875
6.	Side Brick - Left	20002008
7.	Back Brick	20002006
8.	Side Brick - Right	20002007
9.	Left Hearth Brick	20007157
10.	Right Hearth Brick	20007157
11.	Piezo	52464
12a.	Pilot Top Convertible - Natural (3 Way Assembly)	10002264
12b.	Pilot Top Convertible - LP (3 Way assembly)	10002265
13.	Thermopile 18"	7533113
14.	Pilot Tubing	10001296
15.	Cable Ignitor 24"	7522432
16.	Thermocouple 24"	7531137
17.	Grate	20006819
18a.	Pilot Orifice - Natural	10002268
18b.	Pilot Orifice - LP	10002269
19a.	Valve NOVA - Natural	7529141
19b.	Valve NOVA - LP	7529142
20.	Air Shutter - Natural/LP	20000129
21.	Hearth Brick Cover	20007183
22.	Thermopile	20007568



# Part 6: Warranty

## LIMITED LIFETIME WARRANTY

### PRODUCT COVERED BY THIS WARRANTY

All Vermont Castings gas stoves, gas inserts, and gas fireplaces, and all Majestic or Northern Flame brand gas fireplaces equipped with an Insta-Flame Ceramic Burner or steel tube burner.

### BASIC WARRANTY

CFM Specialty Home Products (hereinafter referred to collectively as the Company) warrants that your new Vermont Castings or Majestic Gas Fireplace/Stove is free from manufacturing and material defects for a period of one year from the date of purchase, subject to the following conditions and limitations.

### EXTENDED LIFETIME WARRANTY

The heat exchanger, where applicable, and combustion chamber of every Vermont Castings or Majestic gas product is warranted for life against through wall perforation. All appliances equipped with an Insta-Flame Ceramic Burner have limited lifetime coverage on the ceramic burner plaque. Warrantees are made to the original owner subject to proof of purchase and the conditions and limitations listed on this Warranty Document

### COMPONENT WARRANTY

**CAST IRON:** All external and internal cast iron parts are warranted for a period of three years.

**Note:** On porcelain enamel finished external parts and accessories The Company offers no Warranty on chipping of enamel surfaces. Inspect all product prior to accepting it for any damage to the enamel.

The salt air environment of coastal areas or a high humidity environment can be corrosive to the porcelain enamel finish. These conditions can cause rusting of the cast iron beneath the porcelain enamel finish, which will cause the finish to flake off.

Dye lot variations with replacement parts and/or accessories can occur and are not covered by warranty.

**GLASS DOORS:** Glass doors are covered for a period of one year.

Glass doors are not warranted for breakage due to misuse or accident. Glass doors are not covered for discoloration or burned in stains due to environmental issues, or improper cleaning and maintenance.

**BRASS PLATED PARTS AND ACCESSORIES:** Brass parts should be cleaned with Lemon oil only. Brass cleaners cannot be used. Mortar mix and masonry cleaners may corrode the brass finish. The Company will not be responsible for, nor will it warrant any brass parts which are damaged by external chemicals or down draft conditions.

**GAS VALVES:** Gas valves are covered for a period of one year

**ELECTRONIC AND MECHANICAL COMPONENTS:** Electronic and mechanical components of the burner assembly are covered for one year. All steel tube burners are warranted for one year.

**ACCESSORIES:** Unless otherwise noted all components and CFM Specialty Home Products Company supplied accessories are covered for a period of one year.

### CONDITIONS AND LIMITATIONS

- This new Vermont Castings or Majestic product must be installed by a competent, authorized, service contractor. A licensed technician, as prescribed by the local jurisdiction must perform any installation/service work. It must be installed and operated at all times in accordance with the Installation and Operating instructions furnished with the product. Any alteration, wilful abuse, accident, or misuse of the product shall nullify this warranty.
- This warranty is non-transferable, and is made to the original owner, provided that the purchase was made through an authorized supplier of the Company.
- The customer must pay for any Authorized Dealer in-home travel fees or service charges for in-home repair work. It is the dealer's option whether the repair work will be done in the customer's home or in the dealer's shop.
- If upon inspection, the damage is found to be the fault of the manufacturer, repairs will be authorized at no charge to the customer parts and/or labour.
- Any part and/or component replaced under the provisions of this warranty are covered for six months or the remainder of the original warranty, whichever is longest.
- This warranty is limited to the repair of or replacement of part(s) found to be defective in material or workmanship, provided that such part(s) have been subjected to normal conditions of use and service, after said defect is confirmed by the Company's inspection.
- The company may, at its discretion, fully discharge all obligations with respect to this warranty by refunding the wholesale price of the defective part(s).
- Any installation, labour, construction, transportation, or other related costs/expenses arising from defective part(s), repair, replacement, or otherwise of same, will not be covered by this warranty, nor shall the Company assume responsibility for same. Further, the Company will not be responsible for any incidental, indirect, or consequential damages except as provided by law.
- *SOME STATES DO NOT ALLOW FOR THE EXCLUSION OR LIMITATIONS OF INCIDENTAL AND CONSEQUENTIAL DAMAGES OR LIMITATIONS ON HOW LONG AN IMPLIED WARRANTY LASTS. SO THE ABOVE LIMITATIONS MAY NOT APPLY TO YOUR CIRCUMSTANCES. THIS WARRANTY GIVES YOU SPECIFIC RIGHTS AND YOU MAY HAVE OTHER RIGHTS WHICH VARY FROM STATE TO STATE.*
- All other warranties expressed or implied with respect to the product, its components and accessories, or any obligations/liabilities on the part of the Company are hereby expressly excluded.
- The Company neither assumes, nor authorizes any third party to assume on its behalf, any other liabilities with respect to the sale of this Vermont Castings or Majestic product.
- The warranties as outlined within this document do not apply to chimney components or other non CFM Specialty Home Products accessories used in conjunction with the installation of this product.
- Damage to the unit while in transit is not covered by this warranty but is subject to claim against the common carrier. Contact the dealer from whom you purchased your fireplace/stove (do not operate the appliance as this might negate the ability to process the claim with the carrier).
- The Company will not be responsible for:
  - a) Down draught or spillage caused by environmental conditions such as near-by trees, buildings, roof tops, hills, or mountains.
  - b) Inadequate ventilation or negative air pressure caused by mechanical systems such as furnaces, fans, clothes dryers, etc.
- This warranty is void if:
  - a) The fireplace has been operated in atmospheres contaminated by chlorine, fluorine, or other damaging chemicals.
  - b) The fireplace has been subjected to prolonged periods of dampness or condensation.
  - c) Any damages to the fireplace, combustion chamber, heat exchanger or other components due to water, or weather damage, which is the result of but not limited to, improper chimney/venting installation.
  - d) Any alteration, wilful abuse, accident, or misuse of the product has occurred.

**IF WARRANTY SERVICE IS NEEDED...**

- 1) Contact your supplier. Make sure you have your warranty, your sales receipt, and the model/serial number of your Raypak Majestic Gas Log fire.
- 2) DO NOT ATTEMPT TO DO ANY SERVICE WORK YOURSELF

**Distributed By: Raypak Australia  
39 Koornang Road  
Scoresby  
Victoria 3179**

**Ph: 03 9757 3333  
Fax: 03 9757 3350**

**For Service and Spare Parts Call Rheem Australia Service: 131 031**

## Free Manuals Download Website

<http://myh66.com>

<http://usermanuals.us>

<http://www.somanuals.com>

<http://www.4manuals.cc>

<http://www.manual-lib.com>

<http://www.404manual.com>

<http://www.luxmanual.com>

<http://aubethermostatmanual.com>

Golf course search by state

<http://golfingnear.com>

Email search by domain

<http://emailbydomain.com>

Auto manuals search

<http://auto.somanuals.com>

TV manuals search

<http://tv.somanuals.com>