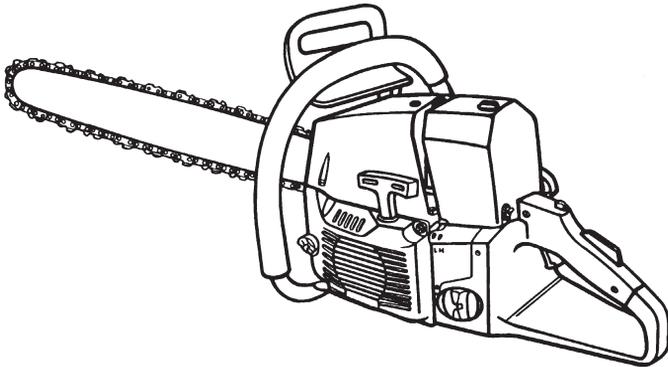


# McCULLOCH

Electrolux

## PRO MAC 72



GB

### IMPORTANT INFORMATION

Read before use and retain for future reference

D

### WICHTIGE INFORMATION

Bitte vor dem Benutzen des Gerätes durchlesen und gut aufbewahren

F

### RENSEIGNEMENTS IMPORTANTS

A lire avant usage et à conserver pour référence ultérieure

NL

### BELANGRIJKE INFORMATIE

Leest u deze informatie voor het gebruik en bewaar ze voor toekomstige raadpleging

N

### VIKTIG INFORMASJON

Les bruksanvisningen nøye før bruk og oppbevar den for senere bruk

FIN

### TÄRKEÄÄ TIETOA

Lue tämä ennen käyttöä ja säilytä myöhempää tarvetta varten

S

### VIKTIG INFORMATION

Läs anvisningarna före användningen och spara dem för framtida behov

DK

### VIKTIGE OPLYSNINGER

Du bør læse brugsanvisningen før brug og gemme til senere henvisning

E

### INFORMACIÓN IMPORTANTE

Léase antes de utilizar y consérvela como referencia en el futuro

P

### INFORMAÇÕES IMPORTANTES

Leia antes de utilizar e guarde para consulta futura

I

### INFORMAZIONI IMPORTANTI

Leggere prima dell'uso e conservare per ulteriore consultazione

HU

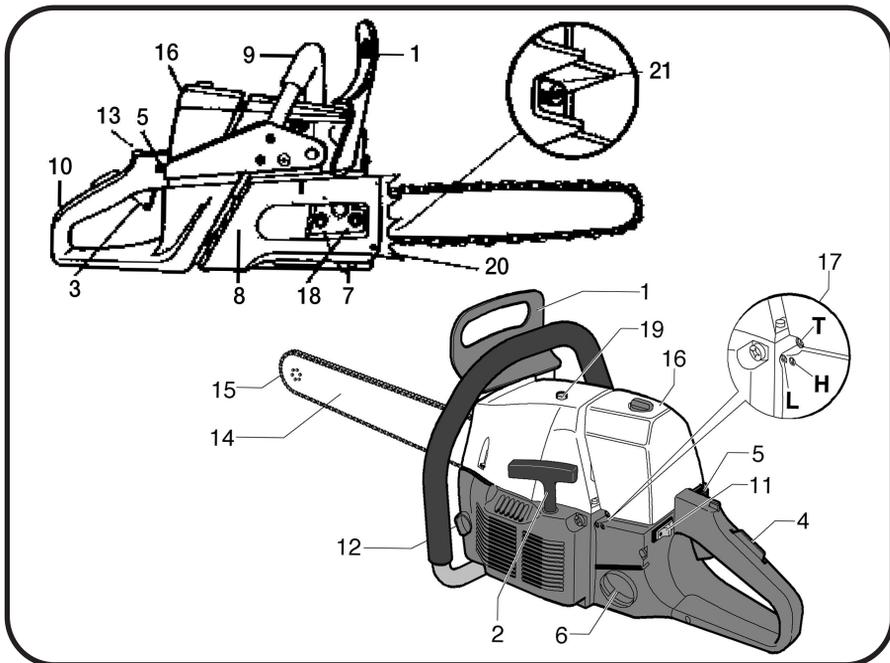
Jótállást vállalni csak rendeltetés szerűen használatba vett gépekre tudunk. Kérjük, hogy a gép használatba vétele előtt gondosan olvassa el a kezelési utasításokat.

GR

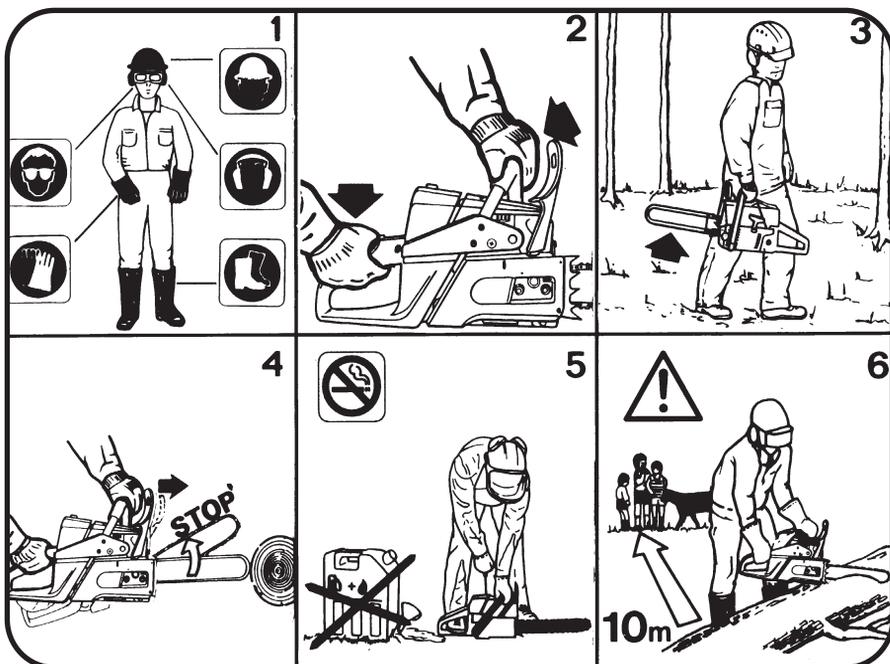
### ΣΗΜΑΝΤΙΚΕΣ ΠΛΗΡΟΦΟΡΙΕΣ

Διαβάστε το πριν από τη χρήση και φυλάξτε το για να το συμβουλευέστε στο μέλλον

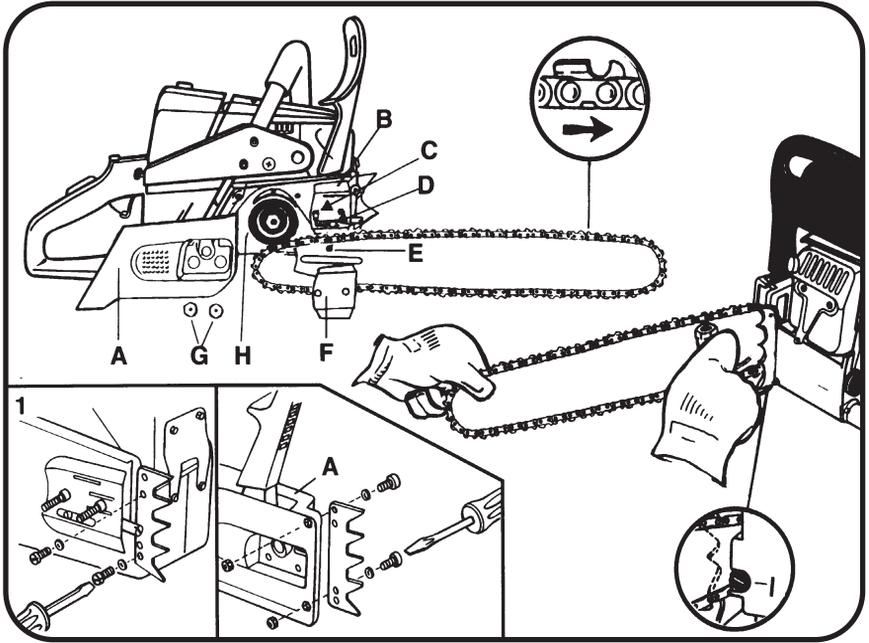
A.



B.



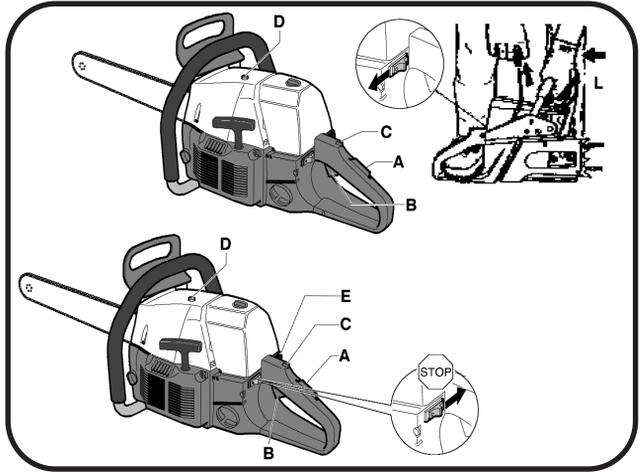
C.



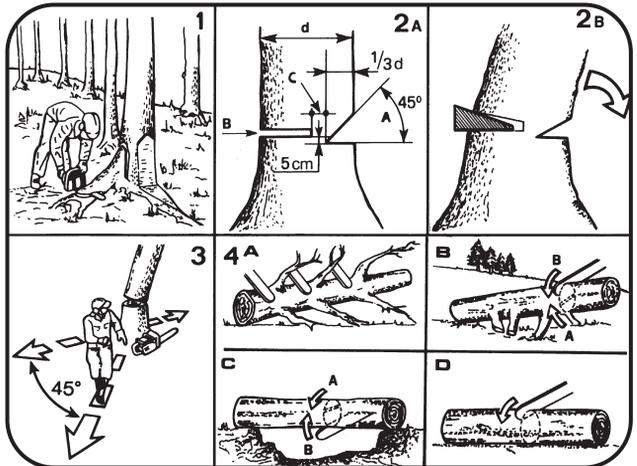
D.

	Partner oil	McCulloch oil	2 T oil
	50 : 1	40 : 1	25 : 1
	2%	2.5%	4%
1 ltr.	20 cm <sup>3</sup>	25 cm <sup>3</sup>	40 cm <sup>3</sup>
4	80	100	160
5	100	125	200
10	200	250	400
20	400	500	800

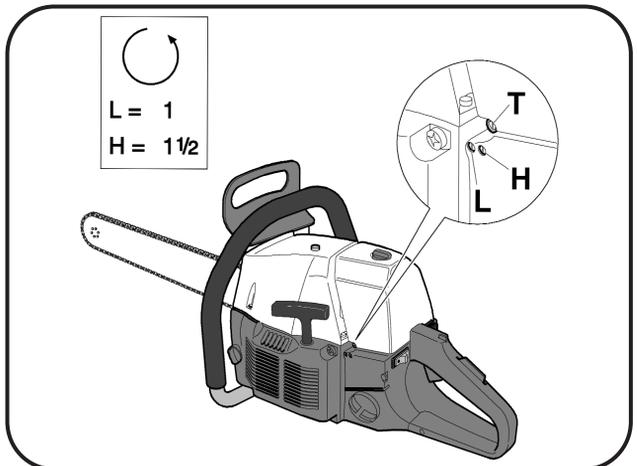
**E.**



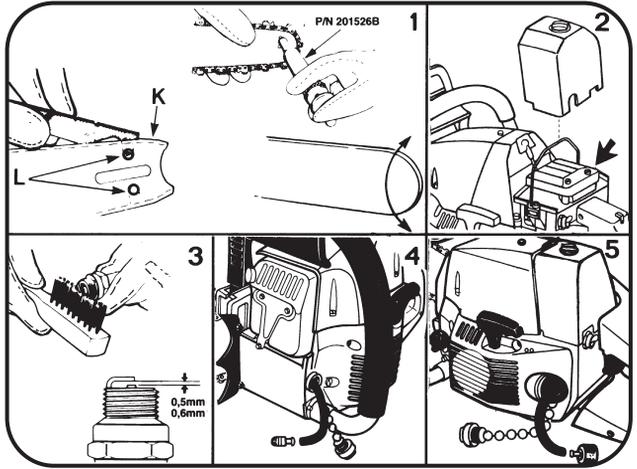
**F.**



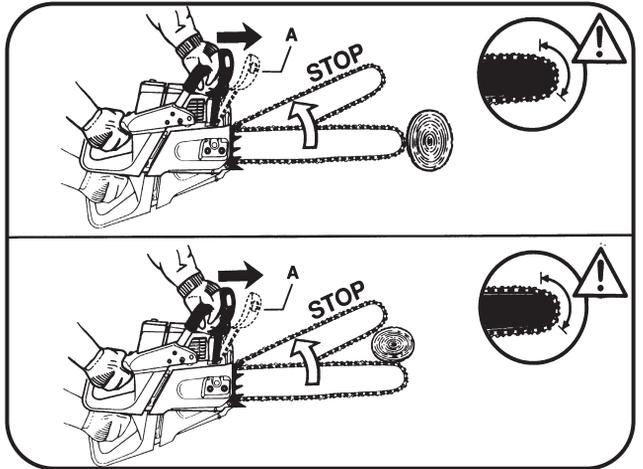
**G.**



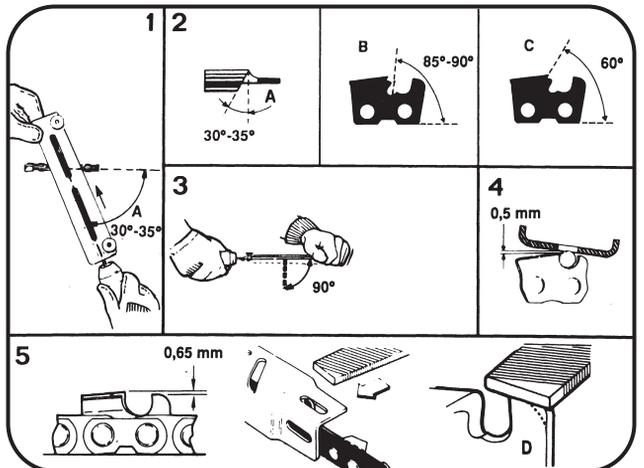
H.



I.

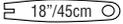
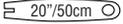
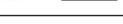


L.



- GB** SUMMARY CHART TO IDENTIFY THE CORRECT COMBINATION OF BAR/CHAIN - FILE/FILE HOLDER
- I** TABELLA RIASSUNTIVA PER IL CORRETTO ABBINAMENTO BARRA/CATENA - LIMA/GUIDA- LIMA
- F** TABLEAU RECAPITULATIF POUR LE CORRECT ACCOUPLEMENT CHAÎNE/GUIDE CHAÎNE - LIME/PORTE LIME
- D** TABELLE FÜR DIE KORREKTE KOMBINATION VON STANGE/KETTE - FEILE/FEILENFÜHRUNG
- E** TABLA PARA EL CORRECTO ACOPLAMIENTO DE LA CADENA/BARRA DE GUÍA - LIMA/GUÍA DE AFLADO
- NL** OVERZICHTSTABEL VOOR EEN CORRECTE STANG/KETTING - VIJL/VIJLEIDER VERBINDING
- S** SAMMANFATTANDE TABELL FÖR RÄTT KOMBINATION STÅNGE/KEDJA FIL/FILFÖRARE
- DK** GENOPTAGENTE LISTE TIL KORREKT SAMMENFØJNING/ KÆDE-FIL/FØLGERFIL
- FIN** OIKEAN YHDISTELMÄN TAULIKKO PUTKI/KETJU - HÖYLÄ/HÖYLÄTÄSO
- N** SAMMENFATTENDE TABELL FOR KORREKT SAMMENKOBBLING AV STANG/KJETTING - FIL/FILSKINNE
- P** TABELA RESUMIDA PARA O CORRETO EMPARELHAMENTO BARRA/CORRENTE - LIMA/GUIA-LIMA
- GR**  
- H** TÁBLÁZAT A VÁZ/LÁNCÉS RESZELŐ/RESZELŐVEZETŐ KORREKT KOMBINÁCIÓIHOZ

**X**

	<b>PRO MAC 72</b>
 18"/45cm  68T  3/8" 	<b>225735 B</b> <b>225739 B</b> <b>86826B (7/32")</b>
 20"/50cm  72T  3/8" 	<b>225736 B</b> <b>225740 B</b> <b>86826B (7/32")</b>
 20"/50cmSP  72T  3/8" 	<b>225737 B</b> <b>225740 B</b> <b>86826B (7/32")</b>
 24"/60cmSP  82T  3/8" 	<b>241366</b> <b>241367</b> <b>86826B (7/32")</b>
 28"/70cmSP  92T  3/8" 	<b>241368</b> <b>241369</b> <b>86826B (7/32")</b>

- GB** Due to a constant product improvement programme, the factory reserves the right to modify technical details mentioned in this manual without prior notice.
- I** La casa produttrice si riserva la possibilità di variare caratteristiche e dati del presente manuale in qualunque momento e senza preavviso.
- F** La Maison se réserve la possibilité de changer des caractéristiques et des données de ce manuel à n'importe quel moment et sans préavis.
- D** Im Sinne des Fortschritts behält sich der Hersteller das Recht vor, technische Änderungen ohne vorherigen Hinweis durchzuführen.
- E** La firma productora se reserva la posibilidad de cambiar las características y datos del presente manual en cualquier momento y sin previo aviso.
- NL** Door konstante produkt ontwikkeling behoud de fabrikant zich het recht voor om technische specificaties zoals vermeld in deze handleiding te veranderen zonder hiervan vooraf bericht te geven.
- S** Tilverkaren reserverar sig rätten att ändra fakta och uppgifter ur handboken utan förvarning.
- DK** Producenten forbeholder sig ret til ændringer, hvad angår karakteristika og data i nærværende instruktion, når som helst og uden varsel.
- FIN** Jatkuvan tuotteen parannusohjelman tähden valmistaja pidättää oikeuden vaihtaa ilman ennakkovaroitusta tässä ohjekirjassensa mainittuja teknisiä yksityiskohtia.
- N** Produzenten forbeholder seg all rett og mulighet til å forandre tekniske detaljer i denne manualen uten forhåndsvarsel.
- P** A casa productora se reserva a possibilidade de variar características e dados do presente manual em qualquer momento e sem aviso prévio.
- GR** Λόγω προγράμματος συνεχούς βελτίωσης προϊόντων, το εργοστάσιο επιφυλάσσει το δικαίωμα να τροποποιεί τις τεχνικές λεπτομέρειες που αναφέρονται στο εγχειρίδιο αυτό χωρίς προηγούμενη ειδοποίηση.
- H** Folyamatos gyártmány felújítási műsorunk következtében, a gyártó cég fenntartja a jogát ebben a Használati leírnt mäszi adatok elözetes értesítés nélkül változtatására.

**THIS PRODUCT MEETS THE SAFETY STANDARD REQUIREMENT OF THE EUROPEAN MACHINERY DIRECTIVE**

DISPLACEMENT (cm³).....	70
BORE AND STROKE (mm).....	50x36
ENGINE OUTPUT (kW).....	3,24
ENGINE SPEED AT MAX POWER (min⁻¹).....	9.000
MINIMUM SPEED (min⁻¹).....	2.500
DRY WEIGHT (Kg) (NO BAR AND CHAIN).....	7,3
CHAIN PITCH (9,525 mm).....	3/8"
CHAIN GAUGE (mm).....	1,5
BAR LENGTHS (cm).....	45/50/60/70
No. OF SPROCKET TEETH.....	7
OIL TANK CAPACITY (cm³).....	400
FUEL TANK CAPACITY (cm³).....	900
SOUND PRESSURE LEVEL (AT THE OPERATOR'S EAR). LpAav (dBA) (ISO 7182) ...	98
GUARANTEED SOUND POWER LEVEL LwAav (dBA) (EN ISO 9207).....	114
MEASURED SOUND POWER LEVEL LwAav (dBA).....	112,8
VIBRATION LEVEL (ISO 7505) (m/s²).....	6

**QUESTO PRODOTTO È CONFORME ALLA DIRETTIVA EUROPEA SULLA SICUREZZA DELLE MACCHINE**

CILINDRATA (cm³).....	70
ALESAGGIO x CORSA (mm).....	50x36
POTENZA (kW).....	3,24
REGIME DI MASSIMA POTENZA (min⁻¹).....	9.000
REGIME DI MINIMO (min⁻¹).....	2.500
PESO A SECCO (Kg) (SENZA BARRA E CATENA).....	7,3
PASSO CATENA (9,525 mm).....	3/8"
SPESSORE CATENA (mm).....	1,5
LUNGHEZZA BARRA (cm).....	45/50/60/70
No. DENTI DEL PIGNONE.....	7
CAPACITÀ SERBATOIO OLIO (cm³).....	400
CAPACITÀ SERBATOIO MISCELA (cm³).....	900
PRESSIONE SONORA ALL'ORECCHIO DELL'OPERATORE LpAav (dBA) (ISO 7182) ..	98
LIVELLO POTENZA SONORA GARANTITA LwAav (dBA) (EN ISO 9207).....	114
LIVELLO POTENZA SONORA MISURATA LwAav (dBA).....	112,8
VIBRAZIONI (ISO 7505) (m/s²).....	6

**CE PRODUIT EST CONFORME À LA NORME EUROPÉENNE POUR LA SÉCURITÉ DES MACHINES**

CYLINDRÉE (cm³).....	70
ALÈSAGE / COURSE (mm).....	50x36
PUISSANCE MOTEUR (kW).....	3,24
REGIME MOTEUR PUISSANCE MAX (min⁻¹).....	9.000
REGIME DE RALENTI (min⁻¹).....	2.500
POIDS A VIDE (Kg) (SANS BARRE NI CHAÎNE).....	7,3
PAS DE LA CHAÎNE (9,525 mm).....	3/8"
JAUGE (mm).....	1,5
LONGUEUR DE GUIDE (cm).....	45/50/60/70
NOMBRE DES DENTS DE PIGNONS.....	7
CAPACITÉ DU RÉSERVOIR HUILE (cm³).....	400
CAPACITÉ DU RÉSERVOIR ESSENCE (cm³).....	900
PRESSION SONORE À L'OREILLE DE L'OPÉRATEUR. LpAav (dBA) (ISO7182).....	98
NIVEAU DE PUISSANCE SONORE GARANTI LwAav (dBA) (EN ISO 9207).....	114
NIVEAU DE PUISSANCE SONORE MESURÉ LwAav (dBA).....	112,8
VIBRATIONS (ISO 7505) (m/s²).....	6

## A GENERAL DESCRIPTION

1. SAFETY CHAIN BRAKE
2. STARTER HANDLE
3. THROTTLE TRIGGER
4. THROTTLE TRIGGER LOCKOUT
5. CHOKE KNOB
6. FUEL TANK CAP
7. CHAIN CATCHER
8. CHAIN BRAKE AND CLUTCH COVER
9. FRONT HANDLE
10. REAR HANDLE
11. STOP SWITCH
12. OIL TANK CAP
13. THROTTLE ADVANCE
14. BAR
15. CHAIN
16. AIR FILTER COVER
17. CARBURETTOR ADJUSTMENT SCREWS
18. BAR RETAINING NUTS
19. DECOMPRESSION VALVE
20. SPIKE
21. CHAIN ADJUSTER SCREW

## B SAFETY PRECAUTIONS

### 1 All operators should read this manual carefully before using this chainsaw.

Wear suitable clothing. This should include snugly-fitting (safety) clothing, sturdy boots, heavy duty gloves, goggles or a face screen and ear plugs or ear muffers. Wear a helmet if there is risk of falling objects or projections from trees.

- ### 2 Always hold the chainsaw firmly with both hands when the engine is running. Always maintain a firm foothold. Ensure you are able to stop the engine quickly if necessary. Do not work up a tree unless you have received suitable training and have the appropriate equipment (belts, ropes, safety hooks etc) for this type of work. We strongly recommend that all first-time chainsaw users obtain practical instruction on safe chainsaw usage before operating the chainsaw. Do not operate this machine when tired or under the influence of any substances, drugs or alcohol which can impair vision, dexterity or judgement. Prolonged use of chainsaws or other machines exposing the operator to vibration may produce Whitefinger's Disease (Raynaud's Phenomenon). This may reduce the hands' ability to feel and regulate temperature and may produce general numbness. Continual or regular users should therefore monitor closely the condition of their hands or fingers. If any of the symptoms appear, seek immediate medical advice.

- ### 3 Never carry the chainsaw with the engine running. Whenever carrying a chainsaw, even for short distances, the chain should be covered by the chain guard (scabbard) and the bar should point backwards. When transporting the chainsaw in a vehicle, secure the saw to prevent fuel spillage.

- ### 4 To avoid kick-back, do not attempt to cut with the nose of the bar. Ensure the engine is running at full throttle before commencing to cut. To avoid kick-back, do not let the nose of the bar come into contact with logs, branches, the ground or any other obstruction. Do not allow any part of the chain to come into contact with rock, nails or wire fence. Ensure the chain is kept sharp and correctly

tensioned. Keep the spike or the saw body against the wood when cutting. Use only genuine accessories and spare parts. We recommend you have your unit periodically checked and serviced by an authorised dealer. Do not use chainsaw above shoulder height.

- 5 Do not operate the chainsaw near a naked flame or spilled fuel. Only operate the chainsaw outside and in well ventilated areas. After re-fueling, always wipe off any spilled fuel. Move the chainsaw away from the fueling point before starting the engine.
- 6 Keep by-standers and animals out of the work area; at a minimum distance of 10 m or twice the timber length necessary, use warning signs to keep on-lookers at a distance.

Carefully survey the working site to note any hazards, eg. roads, paths, electricity cables, dangerous trees etc. Do not use the chainsaw if the device stopping the chain (safety chainbrake) does not work correctly.

Never place hands on the chain whilst the engine is running.

Ensure someone is within hearing distance in case of an accident. If this is not possible, it is recommended that users operating chainsaws in remote areas carry an adequate first-aid kit with them and ensure someone knows their location.

Never leave the engine running whilst the tool is unattended.

**ONLY USE ORIGINAL SPARE PARTS AND ACCESSORIES.**

Remove the clutch guard **(A)** and the outer bar plate **(F)**. Check that the oil hole **(E)** is free from impurities. Fit the chain over the sprocket **(H)**. Ensure correct direction of cutter tooth. Put the bar in position over studs **(C)** slide it towards the sprocket. Fit the chain into the bar groove and slide the bar forwards.

Make sure that the tang chain tensioning screw **(D)** fits into the hole in the bar **(E)**. Replace the outer bar plate and the clutch guard. Screw the two bar retention nuts finger tight **(G)**. Tension the chain by turning the adjusting screw **(I)** clockwise while raising the tip of the bar. The tension is sufficient if the chain is snug on the bar but still moves freely around the bar when pulled by hand. Tighten the two bar retention nuts securely.

Always use the combination tool to install and tension the chain.

#### **WARNING**

Mount the bumper spike as shown in illustration.

#### **RUNNING IN A NEW CHAIN**

The chain must always be cold when carrying out adjustment.

- 1 Let the chain run slowly for a few minutes. Check that the oil pump is delivering oil onto the chain.
- 2 Stop the engine and adjust the chain tension.
- 3 Check the tension of a new chain more frequently during initial usage and adjust as necessary.
- 4 Repeat adjusting until the chain does not stretch any more.

**Never touch the chain while the engine is running.**

## **C** BAR AND CHAIN INSTALLATION

**Ensure engine is always switched off before fitting or adjusting chain. Wear a pair of protective gloves when fitting or adjusting chain.**

- A . Clutch guard
- B . Inner bar plate
- C . Bar mounting bolts
- D . Chain tensioning screw
- E . Oil hole
- F . Outer bar plate
- G . Bar retention nuts
- H . Sprocket
- I . Adjusting screw

## **D** FUEL MIX

Use only fuel recommended by this manual. This product is fitted with a 2-stroke engine and therefore requires a 2-stroke petrol and oil mix. Use leaded or unleaded petrol with a minimum octane rating of 90. When using leaded petrol, use 2.5% (40:1) of McCulloch oil, otherwise use 5% (20:1) of a high quality 2-stroke engine oil (from a recognised brand). When using unleaded petrol, use 2.5% (40:1) of McCulloch oil or use 2.5% (40:1) of a high quality **synthetic** 2-stroke engine oil..

Only use oil from sealed containers. In order to obtain a good fuel mix, put the oil into the container before the petrol.

**IMPORTANT**

Always shake this fuel mix vigorously each time you use it. Fuel mix properties deteriorate with time, we therefore recommend that you only make the quantity of fuel mix you will need for each usage. Do not use fuel mix more than a week old as this could damage the engine.

**WARNING**

Do not smoke when re-fuelling. Always open the fuel cap slowly. Re-fuel in open spaces only, keeping away from naked flames or sparks. Always store fuel in an approved container.

**SAFE STORAGE OF FUEL**

Petrol is highly inflammable. Put out all cigarettes, pipes and cigars before working with petrol. Avoid spilling petrol. Store fuel in a cool, well ventilated place, in an approved container specifically designed for the purpose. Never store engine with fuel in the tank in enclosed, poorly ventilated areas, where fuel fumes may reach an open flame, spark or pilot light such as in a furnace, water heater, clothes dryer etc. Petrol fumes can cause an explosion or a fire. Do not store large amounts of fuel. To prevent possible restarting problems avoid running the fuel tank dry. This also helps to extend engine life.

**CHAIN LUBRICATION**

**IMPORTANT** The service life of the bar and chain depends on good lubrication.

Always use chain lubricating oil of medium viscosity. We recommend special McCulloch chain lubricating oil. Never use waste oil for this purpose. This results in damage to the bar, the chain and the oil pump. Refill the chain oil tank each time the saw is refuelled.

**NOTE: Saw chain stretches during use, particularly when it is new, and it will occasionally be necessary to adjust and tighten it. A new chain will require adjustment after about 5 minutes of operation.**

- **The mechanical oil pump for chain lubrication can be adjusted.**

The feed rate of the chain oil pump can be adjusted by means of the regulating screw **(A)** (see details in the illustration). The oil feed rate is increased by turning the regulating bolt counterclockwise .

**IMPORTANT** - The chain oil feed is reduced to a minimum when the regulating bolt  is completely closed (turning clockwise).

## **E** STARTING AND STOPPING

**IMPORTANT** - **Never start or operate the saw unless bar and chain are properly installed. Before starting always move the saw away from the fuelling area and place it on firm, flat surface, the guide bar to the front.**

**STARTING A COLD ENGINE**

Check that the chain brake is in the disengaged position moving the lever **(L)** backwards (towards the front handle). Check that the ignition switch is not in the "STOP" position.

Depress throttle trigger lockout **(A)**. Depress throttle trigger **(B)** and then pull up the throttle lock **(C)**.

Release first the throttle trigger **(B)** and then the throttle lock **(C)**.

In this way the throttle lock engages and your left hand is free to grip the saw firmly.

Pull out the choke control **(E)**. Activate the decompression pressing the valve **(D)**. Hold the saw firmly as shown in illustration and pull the starter rope until the engine fires once.

Push in the choke control **(E)**. Re-activate the decompression system by depressing valve **(D)**. Pull the starter rope until the engine starts.

Allow engine to warm up for a few seconds, holding the saw firmly.

Beware of moving chain.

Release the safety lock by pressing the throttle trigger **(B)**.

**STOP.** The engine is stopped by moving the ignition switch to **STOP** position.

**IMPORTANT.** After lengthy use of the chain saw at full speed, we recommend to run the engine for a few seconds at idle speed before stopping it.

**STARTING A WARM ENGINE**

Check that the ignition switch is not in the "stop" position and do not use the throttle lock.

Hold the saw firmly, press valve **(D)** for decompression and pull the starter rope.

**STARTING A WARM ENGINE AFTER FUELLING**

In the fuel tank as run completely dry, procede to start as with a cold engine.

---

## F USAGE

---

**IMPORTANT.** Before using a chain saw read carefully the Operator's Manual and all safety precautions carefully.

### FELLING TREES.

- Make sure that there are no bystanders or animals in the work area.
  - Study the direction of the fall of the tree and then plan your exit path away from the planned direction of fall.
  - Don't fell trees when there is a strong wind.
- 1 Clear the tree base of interfering limbs and brush. Clean the work area from stones or other objects which could damage the chain. If the tree has large protruding roots, remove them before felling (see illustrations).
  - 2 **A)** Cut a felling notch (**A**) of 45° on the side you want the tree to fall to a depth of about one third of the trunk diameter (**d**). Then make a felling cut (**B**) about 5 cm higher than the felling notch on the opposite side of the tree. Make sure that the felling cut does not go right through the trunk. A hinge (**C**) must always be left to provide control over the direction of the fall.  
**B)** Use wedges to control the moment and direction of the fall.
  - 3 When the tree starts to fall, walk away along your preplanned escape path.

### CUTTING FALLEN TRUNKS.

- 4 **A) Limbing thick branches.** For limbing and bucking leave the lower limbs to support the log off the ground.  
**B) Supported at one end only.** Begin with a bottom cut made by the upper side of the bar (**A**); the depth of the cut should be about one third of the log diameter (**A**). Finish with a top cut (**B**) meeting the first one. With this technique splitting, cracking can be avoided.  
**C) Supported at both ends.** Begin with a top cut about one third of the log diameter. Then finish with a bottom cut (**B**) meeting the first one. This technique avoids the risk of pinching the bar in the log.  
**D)** If the log is supported along its whole length it may be cut normally from above. Take care not to touch the ground with the chain.

- When working on a slope always stand on the uphill.
- When cutting prepared timber, use clamps or chocks to secure work.

- Use extreme caution when cutting small size brush and saplings which may catch the chain and pull you off balance.

---

## G CARBURETTOR ADJUSTMENT

---

**N.B. We suggest carburetor adjustments are made by an authorized service dealer.**

The carburetor has three adjustment possibilities:

- **L:** The needle screw (**L**) governs the fuel flow at low speed and also the acceleration from low to full speed.  
To set screw (**L**): close screw (**L**) turning it clockwise without forcing  $\odot$ . Then open screw 1 full turn  $\odot$  (counterclockwise).  
If acceleration is not smooth, open  $\odot$  another 1/8 turn to increase fuel flow.
- **H:** The needle screw (**H**) governs fuel flow at high speed (throttle valve fully open).  
To set hi speed screw (**H**): close screw (**H**) turning it clockwise  $\odot$  without forcing .  
Then open screw 1-1/2 full  $\odot$  turn (counterclockwise) .  
If the engine speed is too high (the maximum speed with bar and chain on should not exceed 11.500 min<sup>-1</sup>), open the screw  $\odot$  about 1/8 turn (counterclockwise).
- **I:** The (**I IDLE**) screw controls the throttle opening to govern idle speed (2.500 min<sup>-1</sup>).

**CAUTION:** increased idle speed may cause chain movement. The carburetor is adjusted for normal operation during production. When considerable changes of altitude require a supplementary adjustment, contact an authorised service station which offers the latest in tools, parts and technical assistance.

---

## H ROUTINE MAINTENANCE

---

**Ensure engine is always switched off before any kind of maintenance operation.**

**CHAIN:** Check tension regularly. A new chain will require more frequent adjustment. Loosen retention nuts, adjust chain (see assembly instructions). Tighten retention nuts.

### 1 BAR

- Clean the bar groove (**K**) and check the lubrication holes (**L**) in the bar to ensure that they are not clogged.
- Grease sprocket periodically. Rotate sprocket and repeat.
- Rotate bar periodically to maximise bar life.

### 2 AIR FILTER

- A dust clogged air filter may cause carburetor problems. This may prevent the engine from reaching its maximum r.p.m. and cause high fuel consumption.
- Remove cover.
- Wash filter in petrol (do not use fuel which is mixed with oil).
- The filter can also be cleaned with compressed air.
- Replace filter if damaged or if it does not seal tightly in the air box.

### 3 SPARK PLUG

Remove and clean the spark plug every 30 hours. Check the electrode gap (0,5/0,6 mm).

- Replace spark plug about every 100 working hours or whenever it is extremely encrusted.
- Heavily encrusted electrodes can result from an incorrect carburetor setting or from wrong fuel mixture (too much oil in the fuel mix) or a poor quality of oil in the fuel mix. Check and correct.

### 4 OIL FILTER

The oil filter is end of the oil suction hose inside the oil tank. To clean and replace the filter pull it out through the oil tank filter opening. Use a piece of bent wire or long forceps. To remove deposits from the oil tank half fill it with kerosene or petrol and shake thoroughly. Drain off and fill the tank with fresh saw chain oil. Never use waste oil.

### 5 FUEL FILTER

To change fuel filter remove the tank cap and pull out the filter with a piece of bent wire or long forceps. Replace the filter as shown in the illustration and reposition it. It is recommended to replace the fuel filter at least once a year.

### CHAIN BRAKE

**WARNING:** Contact your service dealer if anything appears wrong with your chain brake. Do not disassemble or manipulate the mechanism of the chain brake.

- Clean the brake mechanism periodically (without disassembling it) and control the wear of the band visually.
- **PERIODICALLY:** It is important to clean the saw thoroughly particularly around cylinder fins to avoid overheating of the engine.
- **LONG STORAGE:** Empty fuel and run engine until dry.

## I CHAIN BRAKE TESTING

**Your chainsaw is fitted with an automatic safety chainbrake designed to stop the chain in milliseconds in case of kickback. Always hold the saw firmly in both hands.**

The chain brake does not provide total protection if the machine is used without taking the necessary precautions or carrying out proper maintenance. The chain brake can also be engaged manually by pushing the chain brake lever forwards. The manual use of the chain brake is recommended only at idle.

Always test the chain brake before using your saw. Do this at idle by engaging the brake (see below).

Always release the brake before starting.

Kickback may occur if the end of the bar (see illustrated angle) touches any solid object or if the top of the bar becomes pinched in the wood.

Never attempt to start a cut with the end of the bar.

Kickback is a violent upward or rearward movement of the bar and may cause you to lose control of the machine.

Always keep a firm grip on the saw with both hands because, in case of kickback, it is the contact of the left hand with the brake lever which will help to engage the brake.

**CAUTION:** Initial contact with the wood may occasionally cause the chain to buck, and if the chain teeth are not correctly sharpened, the chain may skate on the wood.

### TESTING THE CHAIN BRAKE :

- 1 The chain brake is disengaged when brake lever is pulled back and locked (chain can move).
- 2 The chain brake is engaged when brake lever is in forward position (chain is stopped).

The chain brake should snap into both positions. If strong resistance is felt or lever does not move into either position, DO NOT USE YOUR SAW.

Take it immediately to an authorized servicing dealer.

### 3 CHAIN CATCHER

This unit is fitted with a chain catcher below the drive sprocket. This is intended to stop the rearward movement of the chain in case of breakage or if it should come out of the bar, it should never be removed.

- **A** Top angle 30° - 35°
- **B** External, side angle 85° - 90°
- **C** Internal, side angle 60°.

File in one direction only, from the "inside" of the cutter tooth towards the "outside".

Do not allow the file to touch the chain as you bring it back to re-position it. Each cutter tooth should be filed with the same number of strokes.

- 3 The file should be held horizontally to the cutter tooth being sharpened.
- 4 Best results to obtain a precise sideways angle can be obtained by holding the file so that it rises 0,5 mm above the top face of the cutter tooth.

### 5 DEPTH GAUGE

Correct depth gauge height is vital to ensure maximum chain life and cutting efficiency.

The height of the depth gauge should be lowered as the cutter tooth is filed back; this height should be checked every 4 or 5 sharpenings.

The best way to do this is to use a flat file and a depth gauge tool.

The correct setting is 0.65 mm below the top edge of the cutter tooth.

The cutter tooth depth gauge should then be rounded (**D**).

## L CHAIN SHARPENING

- 1 The cutter teeth should be sharpened with a round 7/32" file.

The job can be made easier by also using a file holder.

The chain can remain fitted on the bar during sharpening.

Before commencing, the chain should be tensioned correctly and the chain brake should be activated to prevent the chain from moving.

- 2 To obtain a correct sharpening the file must be carefully held to maintain 3 basic angles:

## FAULT FINDING TABLE

	Engine runs badly or loses power when cutting	Engine will not start	The machineruns butdoes not cut well
Check STOP switch is in the position I	●		
Control fuel level min. 25% tank capacity	●	●	
Check air filter is clean	●	●	
Remove spark plug ,dry it, clean it and adjust it, and replace it, if necessary	●	●	
Control and adjust the carburetor screws if necessary		●	
Change fuel filter. Contact your dealer		●	
Carefully follow the cutting accessory assembly instructions			●
Check metal cutting accessory is sharp Otherwise, contact your dealer			●

**Engine still gives trouble:** contact your dealer.

## GB EC Declaration of conformity

In accordance with the EC Machine Directive (89/392/EEC, modified by 91/368/EWG), 93/68/EEC (CE Marking Directive) & 89/336/EEC (Directive on electromagnetic compatibility). Directive 2000/14/CEE (Annex V). The undersigned, Pino Todero, authorised by E.O.P.I., declares that the petrol-driven chain-saw: **PRO MAC 72** serial number as above, with chain bar of cutting length 45/50/60/70 cm, manufactured by E.O.P.I., Via Como 72, 23868 Valmadrera (LC), Italia, conform to the machine that was the object of the EC type testing in accordance with Annex VI of the Machine Directive.

The EC type examination was conducted by Marchio di Qualità (IMQ), Via Quintiliano 43, 20138 Milano (Italia). EC type examination certificate no. IMQ AS 068 DM.

**This type testing established that the machine conforms to the essential health and safety requirements of the EC Machinery Directive.**

## D EU-Erklärung der Übereinstimmung

Nach den Europäischen Richtlinien 98/37/CEE (Maschinenrichtlinie), 73/23/EEC (Niederspannungsrichtlinie), 93/68/CEE (CE Kennzeichnungsrichtlinie) & 89/336/EEC (EMV Richtlinie) entspricht. Richtlinie 2000/14/CEE (Anhang V)

Der Unterzeichnete Pino Todero, bevollmächtigt durch E.O.P.I., erklärt daß die Kettensäge mit Benzinmotor: **PRO MAC 72** Seriennummer wie oben angegeben, Kettensäge mit Schneidlänge von 45/50/60/70 cm, hergestellt durch E.O.P.I., Via Como 72, 23868 Valmadrera (LC), Italia, der Maschine entsprechen, die Gegenstand der EG-Typenprüfung gemäß Anhang VI der Maschinenrichtlinie war.

Die EG-Typenkontrolle wurde durchgeführt von Marchio di Qualità (IMQ), Via Quintiliano 43, 20138 Milano (Italia), Bescheinigung der EG-Typenkontrolle Nr. IMQ AS 068 DM.

**Diese Typenprüfung hat ergeben, daß die Maschine den grundlegenden Gesundheits- und Sicherheitsbestimmungen der EG-Maschinenrichtlinie entspricht.**

## E Declaracion de cumplimiento de la directriz de la UE

En cumplimiento con la Directiva sobre Maquinaria de la UE (89/392/EEC, enmendada según 91/368/EEC), 93/68/EEC (Directiva sobre Marcas de la CE) & 89/336/EEC (Directiva sobre 'Compatibilidad Electro Magnética'). Directiva 2000/14/CEE (Anexo V).

El abajo firmante Pino Todero, autorizado por E.O.P.I., declara que las motosierras de gasolina: **PRO MAC 72** con número de serie indicado anteriormente con barra portacadena de longitud de corte de 45/50/60/70 cm, fabricadas por E.O.P.I., Via Como 72, 23868 Valmadrera (LC), Italia, cumplen con las especificaciones de la máquina objeto de la prueba de la UE conforme al Anexo VI de la Directiva sobre Maquinaria.

La prueba realizada por la UE se llevó a cabo en Marchio di Qualità (IMQ), Via Quintiliano 43, 20138 Milano (Italia), certificado de tipo de prueba de la UE No. IMQ AS 068 DM.

**Esta clase de prueba establece que la máquina cumple con las normativas imprescindibles sobre sanidad y seguridad de la Directriz de la UE sobre Maquinaria.**

## F Déclaration de conformité Européenne

En accord avec la directive européenne (89/392/EEC, modifiée par 91/368/EWG), 93/68/CEE (Directive Marquage CE) & 89/336/CEE (Directive EMC). Directive 2000/14/CEE (Annexe V).

Le soussigné Pino Todero, dûment mandaté par E.O.P.I., déclare que, les tronçonneuses thermiques: **PRO MAC 72** dont le numéro de série est cité ci-dessus équipées d'un guide chaîne de 45/50/60/70 cm de longueur, fabriquées par E.O.P.I., Via Como 72, 23868 Valmadrera (LC), Italia, sont identiques à la machine soumise aux tests européens en accord avec l'annexe VI de la directive ci-dessus.

Les tests ont été effectués par Marchio di Qualità (IMQ), Via Quintiliano 43, 20138 Milano (Italia), certificat de tests européens numéro IMQ AS 068 DM.

**Ces tests ont établi que la machine est conforme aux recommandations d'hygiène et de sécurité de la directive européenne ci-dessus.**

## P Declaração de conformidade da CE

De acordo com a Directiva de Máquinas (89/392/EEC, alterada pela 91/368/CEE), 93/68/CEE (Directiva de Marcação CE) e 89/336/CEE (Directiva de Compatibilidade Electromagnética). Directiva 2000/14/CEE (Apêndice V).

O abaixo assinado Pino Todero, autorizado por E.O.P.I., declara que: as serras mecânicas a gasolina: **PRO MAC 72** com número de série acima indicado com uma barra de corrente com o comprimento de corte de 45/50/60/70 cm, fabricada por E.O.P.I., Via Como 72, 23868 Valmadrera (LC), Italia, estão em conformidade com a máquina que foi submetida ao ensaio tipo da CE de acordo com o Anexo VI da Directiva de Máquinas. A inspeção tipo da CE foi efectuada por Marchio di Qualità (IMQ), Via Quintiliano 43, 20138 Milano (Italia). No. de certificado de inspeção tipo da CE IMQ AS 068 DM.

**Este ensaio tipo constata que a máquina esta em conformidade com os requisitos mínimos de Saude e Segurança de Directiva de Máquinas da CE.**

## I Dichiarazione di conformità CE

In accordo con la Direttiva Macchine CE (89/392/EEC, modificata dalla 91/368/EEC), 93/68/EEC (Direttiva Marcatura CEE) & 89/336/EEC (Direttiva Compatibilità Elettrromagnetica). Direttiva 2000/14/CEE (Allegato V). Il sottoscritto Pino Todero, autorizzato dalla E.O.P.I., dichiara che la sega a catena portatile da legno modello: **PRO MAC 72** numero di serie come sopra riportato, con barra guida catena con lunghezza di taglio da 45/50/60/70 cm, costruita da E.O.P.I., Via Como 72, 23868 Valmadrera (LC), Italia, è conforme al modello di macchina che è stato sottoposto all'esame per la certificazione CE in accordo con l'allegato VI della Direttiva Macchine.

L'esame per la certificazione CE è stato condotto dall'Istituto del Marchio di Qualità (IMQ), Via Quintiliano 43, 20138 Milano (Italia), autorizzato dalla Repubblica Italiana con Decreto Ministeriale del 23/12/1993. Attestato di certificazione CE no. IMQ AS 068 DM.

**Questo esame ha stabilito che la macchina è conforme ai requisiti essenziali di salute e di sicurezza della Direttiva Macchine CE.**

## FIN EU julistus vastaavuudesta

Yhteneväinen EU:n koneista annetun määräyksen (89/392/EEC, 91/368/CEE:n muuttama), 93/68/CEE (CE määrenningsdirektiivi) & 89/336/CEE (EMC-direktiivi). Direktiivi 2000/14/CEE (Liite V).

Allerkijojittanut Pino Todero, E.O.P.I., in valtuuttama, vakuuttaa että bensiinimootorisahat: **PRO MAC 72** yllä merkityllä sarjanumerolla, 45/50/60/70 cm:n ketjulevyillä, E.O.P.I., Via Como 72, 23868 Valmadrera (LC), Italia, valmistama, mukautuu koneeseen, joka oli EY tyyppitestin objekti koneohjeellisen Annex VI mukainen.

EY tyyppitarkastus oli Marchio di Qualità (IMQ), Via Quintiliano 43, 20138 Milano (Italia), johtama, EY tyyppitarkastusodistus no. IMQ AS 068 DM.

**Tämä tyyppitesti vahvisti, että kone mukautuu EY koneohjeellisen välttämättömiin terveys- ja turvallisuusmääräyksiin.**

## N EU Konformitetsdirektiv

I følge EU Maskindirektiv (89/392/EEC, endret av 91/368/EWG), 93/68/CEE (CE-merkingsdirektiv) & 89/336/CEE (Direktiv om elektromagnetisk kompatibilitet). Direktiv 2000/14/CEE (Annex V).

Undertegnede Pino Todero, autorisert av E.O.P.I., erklærer at bensindrevne kjædesager: **PRO MAC 72** med serienummer som vist ovenfor, med et kjædesverd med skjærelengde 45/50/60/70 cm, produsert av E.O.P.I., Via Como 72, 23868 Valmadrera (LC), Italia, er i samsvar med den maskinen som var gjenstand for EU typeprøving i følge Vedlegg VI til Maskindirektivet. EU typeundersøkelsen ble utført av Marchio di Qualità (IMQ), Via Quintiliano 43, 20138 Milano (Italia), EU Typeundersøkelsessertifikat nr. IMQ AS 068 DM.

**Denne typeprøvingen fastslo at maskinen tilfredstiller de nødvendige helse- og sikkerhetskravene i EU Maskindirektiv.**

## S Intyg angående överensstämmelse med EG

I enlighet med EGs Maskindirektiv (89/392/EEC, modifierat i 91/368/EEC, 93/68/CEE (CE märkningsdirektiv) & 89/336/CEE (Elektromagnetisk kompatibilitet). Direktiv 2000/14/CEE (Annex V).

Undertecknad Pino Todero, auktoriserad av E.O.P.I., intygar att bensindrivna kedjesågar: **PRO MAC 72** med 45/50/60/70 cm långt svärd, vars serienummer visas ovan, tillverkade av E.O.P.I., Via Como 72, 23868 Valmadrera (LC), Italia, överensstämmer med den maskin som var föremål för EG-provning i enlighet med Annex VI av Maskindirektivet.

EG-provet utfördes av Marchio di Qualità (IMQ), Via Quintiliano 43, 20138 Milano (Italia), EG-provets certifikatsnummer IMQ AS 068 DM.

**Denna provningsmetod fastställer att maskinen överensstämmer med de väsentliga hälso- och säkerhetsföreskrifterna i EGs Maskindirektiv.**

## DK EF Konformitetserklaring

I överensstämmelse med EF Maskindirektivet (89/392/EEC, ändret ved 91/368/EEG), 93/68/EEC (CE märkningsdirektiv) & 89/336/EEC (EMC-direktiv). Direktiv 2000/14/CEE (Annex V).

Undertecknade Pino Todero, bemyndigad av E.O.P.I., erklærer att benzindrevne kædesave: **PRO MAC 72** serienummer som angivet ovenfor, med 45/50/60/70 cm lang kædestang, fremstillet af E.O.P.I., Via Como 72, 23868 Valmadrera (LC), Italia, er i overensstemmelse med den maskine, som var genstand for EF-typeafprøvning ifølge Tillæg VI af Maskindirektivet.

EF-typeundersøgelsen blev gennemført af Marchio di Qualità (IMQ), Via Quintiliano 43, 20138 Milano (Italia), EF-typeundersøgelsescertifikatnummer IMQ AS 068 DM.

**Denne typeafprøvning fastslog, at maskinen er i overensstemmelse med de grundlæggende krav af sikkerhed og sundhed ifølge EF Maskindirektivet.**

## NL EC Verklaring van Overeenstemming

In overeenstemming met de EC Machine Richtlijn (89/392/EEC, aangepast met 91/368/EEC), 93/68/EEC (EG Markering Richtlijn) & 89/336/EEC (Richtlijn aangaande elektromagnetische compatibiliteit). Richtlijn 2000/14/CEE (Annex V).

Ondergetekende Pino Todero, gemachtigd door E.O.P.I., verklaart dat de benzine aangedreven kettingzaag: **PRO MAC 72** met bovenstaand serienummer met zwaard lengte van 45/50/60/70 cm, geproduceerd door E.O.P.I., Via Como 72, 23868 Valmadrera (LC), Italia, overeenstemt met de machine die gebruikt is voor het EC type onderzoek volgens de Annex VI van de Machine Richtlijn.

Het EC type onderzoek is uitgevoerd door Marchio di Qualità (IMQ), Via Quintiliano 43, 20138 Milano (Italia), EC type onderzoek certificaat nr. IMQ AS 068 DM.

**it typeonderzoek toont aan dat de machine overeenstemt met de fundamentele eisen van veiligheid en gezondheid volgens de Machine Richtlijn.**

## GR Δήλωση Συμμορφωσης της ΕΚ

Σύμφωνα με την περί Μηχανών Εντολή της ΕΚ (89/392/EEC όπως τροποποιήθηκε από την 91/368/EEC), 93/68/EEC (η περί του Σήματος CE Εντολή) & 89/336/EEC (η περί Ηλεκτρομαγνητικής Συμβατότητας Εντολή). Κανονισμός 2000/14/CEE (V).

Ο υποφαινόμενος Pino Todero, με εξουσιοδότηση της Ε.Ο.Π.Ι., δηλώνω ότι: τα βενζινοκίνητα αλυσοπρίονα: **PRO MAC 72** με αλυσιδωτή λαμα μηκούς κοπής 45/50/60/70 εκ., κατασκευασθέντα από την Ε.Ο.Π.Ι., Via Como 72, 23868 Valmadrera (LC), Italia, ανταποκρίνονται προς τη μηχανή που υπηρεξεί αντικείμενο εξέτασης τύπου της ΕΚ σύμφωνα με το Παραρτήμα VI της περί Μηχανών Εντολής.

Η εξέταση τύπου της ΕΚ έγινε από Marchio di Qualità (IMQ), Via Quintiliano 43, 20138 Milano (Italia), (διευθυσση), εγγεγραμμένο πρακτορείο του Γαλλικού Δικαίου (Πιστοποιητικό εξέτασης τύπου υπ αρ IMQ AS 068 DM).

**Με την εξέταση τύπου διαπιστώθηκε ότι η μηχανή συμμορφώνεται προς τις στοιχειώδεις απαιτήσεις υγείας και ασφάλειας της περί Μηχανών Εντολής της ΕΚ.**

## H EC Megyezési nyilatkozat

Az EC Gépek direktiva (89/92/EWG, módosított a 91/368/EWG által), 93/68/EEC & 89/336/EEC szerint. Direktiva 2000/14/CEE (Melléklet V).

Az alulírott, Pino Todero, a E.O.P.I. feljogosításával, kijelentem hogy a benzinmotoros láncfűrész: **PRO MAC 72** gyártási sorszám a fentiek szerint, egy 45/50/60/70 cm vágó hossal rendelkező vezetőlappal, gyártott a E.O.P.I. Via Como 72, 23868 Valmadrera (LC), Olaszország által, megegyezik avval a géppel amelyik tárgya volt az EC típusvizsgálatnak a Gépék direktiva VI Mellékletének megfelelően.

Az EC típusvizsgálat vezetve volt a Marchio di Qualita (IMQ)-nál, Via Quintiliano 43, 20138 Milano, Olaszország, EC típusvizsgálat bizonyítvány szám IMQ AS 068 DM.

**Ez a típusvizsgálat megállapította azt, hogy a gép megfelel az EC Gép Direktiva alapvető egészségési és biztonsági követelményeinek.**



Valmadrera, 01.10.01

Pino Todero (Direttore Tecnico), E.O.P.I., 23868 Valmadrera (LC), Via Como 72, Italy

Electrolux Outdoor Products

McCulloch Italiana s.r.l. - Via Como 72, 23868 Valmadrera (LECCO) - ITALIA

Tel: 800 017829, Fax: 0341 581671

Our policy of continuous improvement means that the specification of products may be altered from time to time without prior notice.

Electrolux Outdoor Products manufacture products for a number of well known brands under various registered patents, designs and trademarks in several countries.

© Electrolux Outdoor Products

 **The Electrolux Group. The world's No. 1 choice.**

The Electrolux Group is the world's largest producer of powered appliances for kitchen, cleaning and outdoor use. More than 55 million Electrolux Group products (such as refrigerators, cookers, washing machines, vacuum cleaners, chain saws and lawn mowers) are sold each year to a value of approx. USD 14 billion in more than 150 countries around the world.

P/N. 247768 (09.02)

## Free Manuals Download Website

<http://myh66.com>

<http://usermanuals.us>

<http://www.somanuals.com>

<http://www.4manuals.cc>

<http://www.manual-lib.com>

<http://www.404manual.com>

<http://www.luxmanual.com>

<http://aubethermostatmanual.com>

Golf course search by state

<http://golfingnear.com>

Email search by domain

<http://emailbydomain.com>

Auto manuals search

<http://auto.somanuals.com>

TV manuals search

<http://tv.somanuals.com>