

INSTALLER: THESE INSTRUCTIONS MUST BE CONVEYED TO AND REMAIN WITH THE HOMEOWNER.

THESE STOVES HAVE BEEN TESTED AND LISTED BY WARNOCK HERSEY LTD. TO STANDARDS: CAN / ULC-S627-00.



INSTALLATION AND OPERATION INSTRUCTIONS FOR  
LISTED RADIANT SPACE HEATING APPLIANCE

MODEL: **SAVOY**

**WARNING:** If this stove is not properly installed, a house fire may result.

**FOR YOUR SAFETY**

Follow the installation directions. This stove can be very hot when burning. Combustible materials such as firewood, wet clothing, etc. placed too close can catch fire. Children and pets must be kept from touching the stove when it is hot. The chimney must be sound and free of cracks. Before installing this unit, contact the local building or fire authority and follow their guidelines.

Operate only with door tightly closed. Burn wood directly on cast grate supplied. Do not elevate the fire. At least 14 square inches (90 sq.cm.) of outside air must be admitted to the room. This stove is designed to burn natural wood only. Higher efficiencies and lower emissions generally result when burning air dried seasoned hardwoods, as compared to softwoods or too green or freshly cut hardwoods. Do not start a fire with chemicals or fluids such as gasoline, engine oil, etc. Do not burn treated wood, coal, charcoal, coloured paper, cardboard, solvents or garbage which tend to produce more pollution than wood. Do not let the stove become hot enough for any part to glow red.

KEEP THE STOVE TOP TEMPERATURE BELOW 700°F (371°C). Attempts to achieve heat output rates that exceed stove design specifications can result in metal distortion and damage.

**Wolf Steel Ltd., RR#1, 9 Napoleon Rd.,  
Barrie, ON., Canada L4M 4Y8 (705)721-1212**

Fax: (705)722-6031 Email: ask@napoleon.on.ca  
Web: www.napoleon.on.ca



W415-0257 / 08.02.01

*NAPOLEON wood fireplaces are manufactured under the strict Standard of the World Recognized ISO9002 Quality Assurance Certificate.*

*NAPOLEON products are designed with superior components and materials, assembled by trained craftsmen who take great pride in their work. The complete fireplace is thoroughly inspected by a qualified technician before packaging to ensure that you, the customer, receives the quality product that you expect from NAPOLEON.*

## NAPOLEON WOOD FIREPLACE PRESIDENT'S LIFETIME LIMITED WARRANTY

***The following materials and workmanship in your new NAPOLEON wood fireplace are warranted against defects for as long as you own the fireplace. This covers: combustion chamber, heat exchanger, ceramic glass (thermal breakage only), porcelainized enamelled components, and cast iron castings.***

***Electrical (110V) components and wearable parts such as blowers, thermal switch, switches, wiring, firebrick, grate, baffle, gasketing, and high temperature paint are covered and NAPOLEON will provide replacement parts free of charge during the first year of the limited warranty.***

***Labour related to warranty repair is covered free of charge during the first year. Repair work, however, requires the prior approval of an authorized company official. Labour costs to the account of NAPOLEON are based on a predetermined rate schedule and any repair work must be done through an authorized NAPOLEON dealer.***

## CONDITIONS AND LIMITATIONS

NAPOLEON warrants its products against manufacturing defects to the original purchaser only -- i.e., the individual or legal entity (registered customer) whose name appears on the warranty registration card filed with NAPOLEON -- provided that the purchase was made through an authorized NAPOLEON dealer and is subject to the following conditions and limitations:

This factory warranty is non-transferable and may not be extended whatsoever by any of our representatives.

The wood fireplace must be installed by an authorized service technician or contractor. Installation must be done in accordance with the installation instructions included with the product and all local and national building and fire codes.

This limited warranty does not cover damages caused by misuse, lack of maintenance, accident, alterations, abuse or neglect and parts installed from other manufacturers will nullify this warranty.

This limited warranty further does not cover any scratches, dents, corrosion or discolouring caused by excessive heat, abrasive and chemical cleaners nor chipping on porcelain enamel parts, nor any venting components used in the installation of the fireplace.

In the first year only, this warranty extends to the repair or replacement of warranted parts which are defective in material or workmanship provided that the product has been operated in accordance with the operation instructions and under normal conditions.

After the first year, with respect to the President's Limited Lifetime Warranty, NAPOLEON may, at its discretion, fully discharge all obligations with respect to this warranty by refunding to the original warranted purchaser the wholesale price of any warranted but defective part(s).

After the first year, NAPOLEON will not be responsible for installation, labour or any other costs or expenses related to the reinstallation of a warranted part, and such expenses are not covered by this warranty.

Notwithstanding any provisions contained in the President's Limited Lifetime Warranty, NAPOLEON'S responsibility under this warranty is defined as above and it shall not in any event extend to any incidental, consequential or indirect damages.

This warranty defines the obligations and liability of NAPOLEON with respect to the NAPOLEON wood fireplace and any other warranties expressed or implied with respect to this product, its components or accessories are excluded.

NAPOLEON neither assumes, nor authorizes any third party to assume, on its behalf, any other liabilities with respect to the sale of this product. NAPOLEON will not be responsible for: over-firing, downdrafts, spillage caused by environmental conditions such as rooftops, buildings, nearby trees, hills, mountains, inadequate vents or ventilation, excessive venting configurations, insufficient makeup air, or negative air pressures which may or may not be caused by mechanical systems such as exhaust fans, furnaces, clothes dryers, etc.

Any damages to fireplace, combustion chamber, heat exchanger, brass trim or other component due to water, weather damage, long periods of dampness, condensation, damaging chemicals or cleaners will not be the responsibility of NAPOLEON.

The bill of sale or copy will be required together with a serial number and a model number when making any warranty claims from your authorized dealer. The warranty registration card must be returned within fourteen days to register the warranty.

NAPOLEON reserves the right to have its representative inspect any product or part thereof prior to honouring any warranty claim.

ALL SPECIFICATIONS AND DESIGNS ARE SUBJECT TO CHANGE WITHOUT PRIOR NOTICE DUE TO ON-GOING PRODUCT IMPROVEMENTS. NAPOLEON® IS A REGISTERED TRADEMARK OF WOLF STEEL LTD. PATENTS U.S. 5.303.693.801 - CAN. 2.073.411, 2.082.915. © WOLF STEEL LTD.

# TABLE of CONTENTS

PG 2-4 INTRODUCTION

- Warranty
- General Information
- Principals of Operation
- Care of Glass

4-6 INSTALLATION

- Stove Installation
- Flue collar assembly
- Chimney Connection
- Adding Chimney Sections
- Ash Fender Installation
- Andiron Installation
- Optional Fan Instructions
- Adjusting Door Closing Pressure

PG 7-8 OPERATING INSTRUCTIONS

- Achieving Proper Draft
- Fire Extinguishers and Smoke Detectors
- Fuel Loading and Burn Cycle
- Flash Fire
- Extended Fire
- Ash Removal Procedures

9 WOOD PILE MAINTENANCE

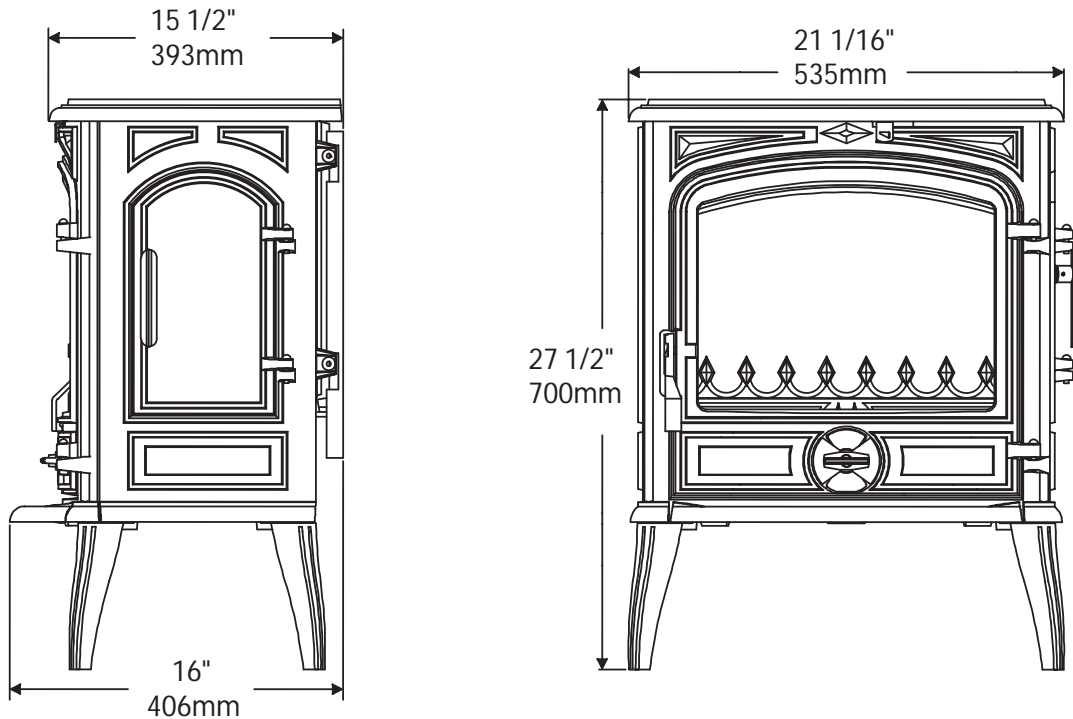
9 STOVE MAINTENANCE

- Creosote Formation and Removal
- Runaway or Chimney Fire Smoking
- Gasket Replacement

10-11 REPLACEMENTS

- Ordering Replacement Parts
- Replacement Parts

PLEASE RETAIN THIS MANUAL FOR FUTURE REFERENCE



| SPECIFICATIONS            |   |
|---------------------------|---|
| WIDTH X DEPTH             | 21 1/16" X 15 1/2" (535 x 393 mm)                     |
| HEIGHT                    | 27 1/2" (700 mm)                                      |
| CHAMBER (W.D.H.)          | 17 x 9 1/2 x 14 3/8" (450 x 240 x 365 mm)             |
| APP. AREA HEATED*         | 600 - 1200 ft <sup>2</sup> (56 - 112 m <sup>2</sup> ) |
| HEAT OUTPUT (HIGH BURN)** | 40,000 BTU  |
| WEIGHT                    | 220 lb (100 kg)                                       |

\*FIGURES WILL VARY CONSIDERABLY WITH INDIVIDUAL CONDITIONS.

\*\* WOLF STEEL LTD. ESTIMATED REALISTIC BTU/H WITH HARDWOOD LOGS AND REGULAR REFUELING.

NOTE: CHANGES, OTHER THAN EDITORIAL, ARE DENOTED BY A VERTICAL LINE IN THE MARGIN.

# 4 INTRODUCTION INSTALLATION

## GENERAL INFORMATION

The Savoy is designated as a continuous wood burning heating appliance having a combustion chamber enclosed with cast brick walls where all fuel is meant to be burnt on the grate supplied. It is a top vented appliance capable of being installed near a wall. It has an adjustable air control for controlling the burning rate as well as a large ash-pan.

**NOTE: The following items supplied with the unit must be removed from the firebox before attempting to operate the stove: flue collar, door handle tool, poker, oven mitt, ash fender and installation hardware. The stove is not to be connected as a rear vent.**

## PRINCIPAL OF OPERATION

The Savoy is designed to be operated with the door closed. Without the optional blower, EP62, the heat produced is mainly transmitted through the window and the body of the unit. Combustion occurs on the grate with combustion air introduced through the top of the combustion chamber.

Be sure to provide sufficient combustion air. There are many other appliances in your home competing for air such as: a kitchen range hood, forced air heating devices or a bathroom exhaust fan.

Expansion / contraction noises during heating up and cooling down cycles are normal and to be expected.

After extended periods of non-operation such as following a vacation or a warm weather season, the fireplace may emit a slight odour for a few hours. This is caused by dust particles on the firebox burning off. Open a window to sufficiently ventilate the room.

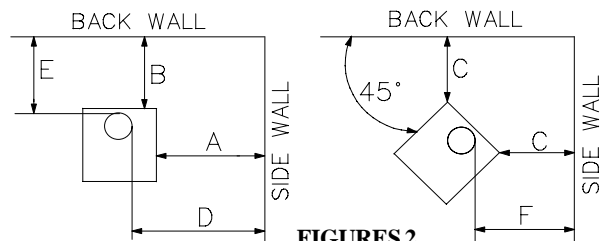
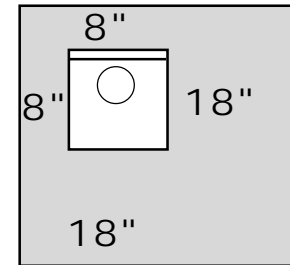
## CARE OF GLASS

If the glass is not kept clean permanent discolouration and / or blemishes may result. Normally a hot fire will clean the glass. The most common reasons for dirty glass include: not using sufficient fuel to get the stove thoroughly hot, using green or wet wood, closing the air control so far that there is insufficient air for complete combustion. If it is necessary to clean the glass, use a soft cloth with a nonabrasive cleaner. **DO NOT CLEAN GLASS WHEN HOT!** The glass is very strong but do not let burning fuel rest against it and always close the door gently. If the glass should ever crack while the fire is burning, do not open the door until the fire is out and do not operate the stove again until the glass has been replaced with a new 5mm thick plate of ceramic glass, available from your Napoleon / Wolf Steel Ltd. dealer. **DO NOT SUBSTITUTE MATERIALS.**

**To remove the door glass**, open the door; remove the screws and brackets holding the glass in place. Remove all broken glass. Wrap the edges of the new glass with a U-shaped strip of fiberglass gasket, covering 1/4" on each side. Place the glass with the fiberglass gasket in position and replace the brackets and screws. When finished, you should be able to move the glass slightly, horizontally and vertically.

## STOVE INSTALLATION

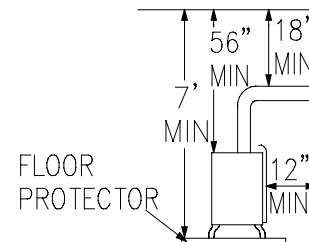
If the stove is to be installed on a combustible floor, it must be placed on an approved non-combustible hearth pad, that extends 8" (200mm) beyond the left stove side and back, and 18" (455mm) to the right stove side and the front.



**FIGURES 2**

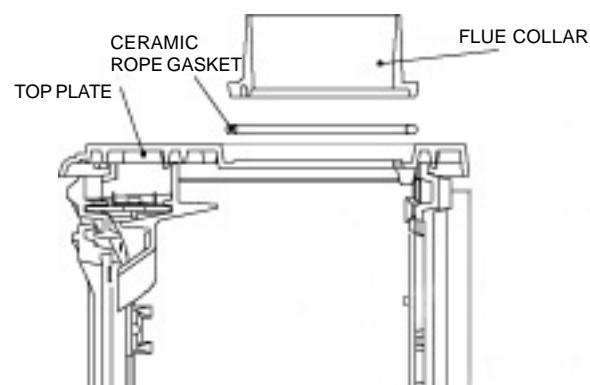
**Maintain these minimum clearances to combustibles with a single wall chimney connector:**

|          |                    |
|----------|--------------------|
| <b>A</b> | <b>20" (508mm)</b> |
| <b>B</b> | <b>12" (304mm)</b> |
| <b>C</b> | <b>14" (355mm)</b> |
| <b>D</b> | <b>28" (711mm)</b> |
| <b>E</b> | <b>16" (406mm)</b> |
| <b>F</b> | <b>22" (558mm)</b> |



## FLUE COLLAR ASSEMBLY

Before the chimney connector can be attached to the stove, the flue collar must be assembled. Remove the top plate by removing the two allen screws on either side of the stove. Fit the ceramic rope into the groove on the top and secure the flue collar with the three bolts and washers supplied. Replace the top plate.



**FIGURE 3 - CUT AWAY SIDE VIEW**

## CHIMNEY CONNECTION

Vent the stove into a masonry chimney or an approved, insulated solid-fuel stainless-steel chimney with as short and straight a length of five-inch (127mm) diameter smoke pipe as possible. Connection to a masonry chimney must be by a metal or masonry thimble cemented in place. An insulated stainless steel chimney must be supported at the ceiling or roof and its installation must comply with its manufacturer's instructions.

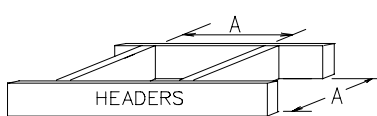
**DO NOT USE ANY MAKESHIFT MATERIALS DURING INSTALLATION.**

1. Move the stove into position with the flue centered, midpoint between two joists to prevent having to cut them. Use a plumb bob to line up the centre.
2. Cut and frame an opening in the roof to provide a 2" clearance between the outside of the chimney and any combustible material.

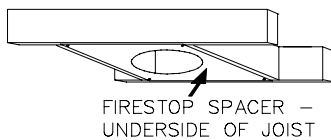
**DO NOT FILL THIS SPACE WITH ANY TYPE OF MATERIAL.**

Nail headers between the joist for extra support. Firestop spacers must be placed on the bottom of each framed opening in any floor or ceiling that the chimney passes through.

3. Hold a plumb bob from the underside of the roof to determine where the opening in the roof should be. Cut and frame the roof opening to maintain proper 2" clearances.

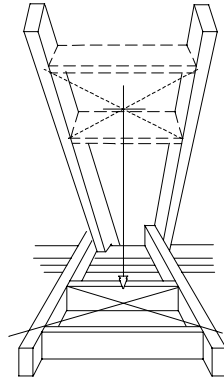


**FIGURE 4**



FIRESTOP SPACER –  
UNDERSIDE OF JOIST

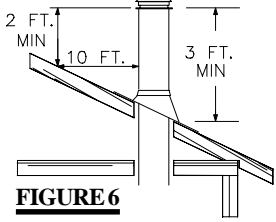
**FIGURE 5**



## ADDING CHIMNEY SECTIONS

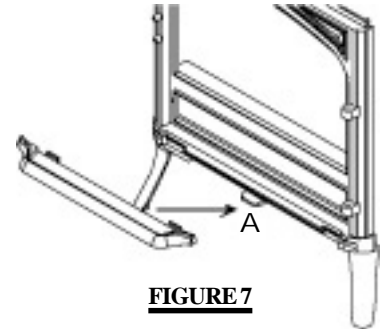
Add chimney sections, twist locking (clockwise) securely, to the required height. The chimney must extend, at least, 3 feet above its point of contact with the roof and at least 2 feet higher than any wall, roof or building within 10 feet. **FIGURE 6.** If your chimney system is enclosed within the attic area, a rafter radiation shield is required.

**FIGURE 6**



## ASH FENDER INSTALLATION

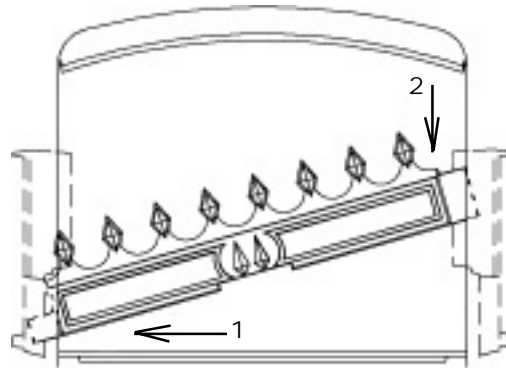
To avoid damage during transport, the ash fender has been stored behind the main door. Pivot the ash fender onto tab "A" and lower into place.



**FIGURE 7**

## ANDIRON INSTALLATION

Pivot the andiron into place along the front edge of the firebox as shown.



**FIGURE 8**

**THE TOTAL SMOKE PIPE LENGTH SHOULD NOT EXCEED 40% OF THE CHIMNEY HEIGHT ABOVE THE STOVE.**

*All smoke pipe must slope slightly upwards 1/4" per foot (6mm/0.3m) and all connections must be tight and secured by three sheet metal screws equally spaced.*

*An uninsulated smoke pipe shall not pass through an attic, roof space, closet or similar concealed space, or through a floor, ceiling, wall or partition, or any combustible construction.*

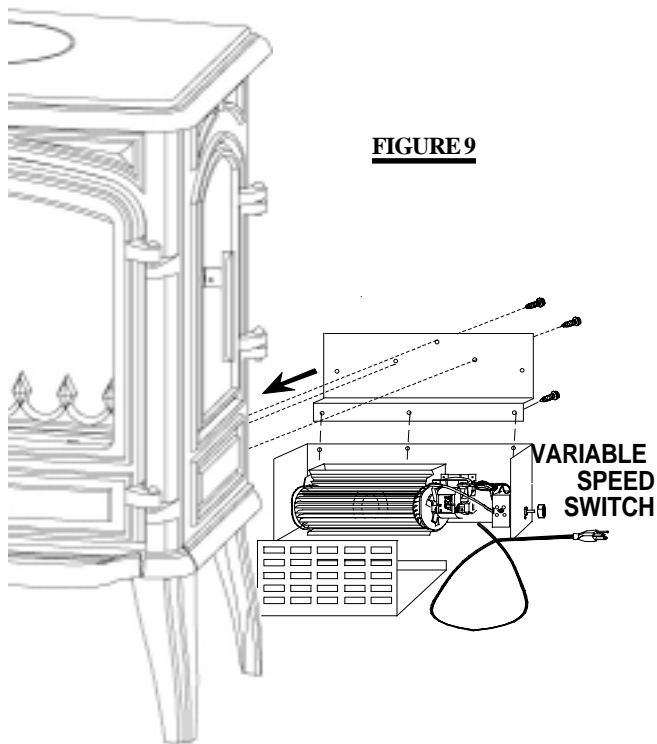
## 6 OPTIONAL FAN INSTALLATION

Provision has been made on the stove to install an optional blower that comes complete with a variable speed switch to turn the blower on and off as well as adjusting the blower speed. An optional thermostatic sensor control kit, BGD36, to thermally activate the fan is also available.

Use of the fan increases the output of heat. Attach the mounting bracket to the blower assembly. Then attach to the back of your stove, push on the variable speed knob and plug into any grounded electrical outlet.

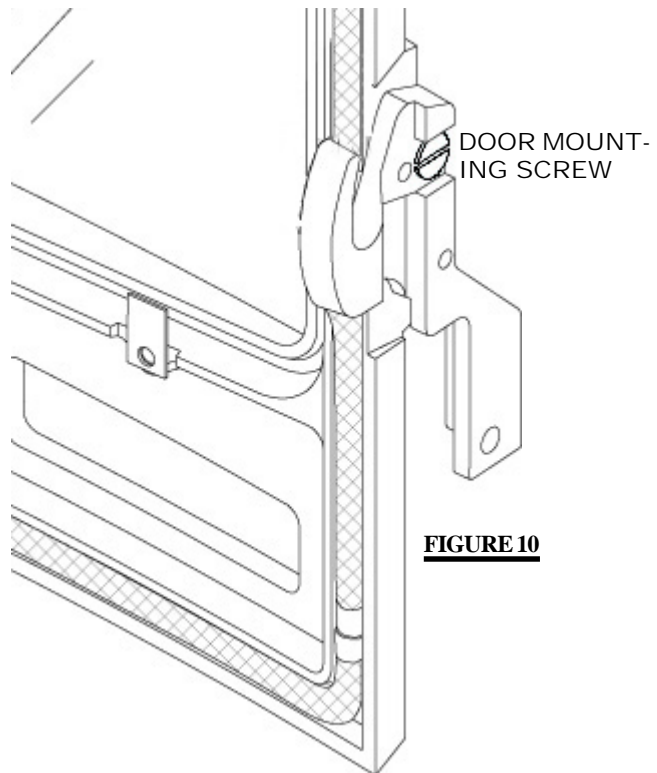
**Note: if the optional blower, EP62-1, is installed, then the blower guard (W320-0011) must be installed. This guard is available from your Napoleon dealer.**

**Drywall dust will penetrate into the fan bearings, causing irreparable damage. Care must be taken to prevent drywall dust from coming into contact with the fan or its compartment. Any damage resulting from this condition is not covered by the warranty policy.**



## ADJUSTING DOOR CLOSING PRESSURE

The door mounting screw acts as a cam to position the door latch. A half turn clockwise of the screw takes the latch to a maximum closing pressure; a half turn counter clockwise turn takes it to the lowest closing pressure.



# OPERATING INSTRUCTIONS<sup>7</sup>

**WARNING: Remove all sources of gasoline or other flammable vapours and liquids in the vicinity of this or other appliances before lighting.**

A - DOOR LATCH

B - AIR CONTROL

B1: FLAP OPEN

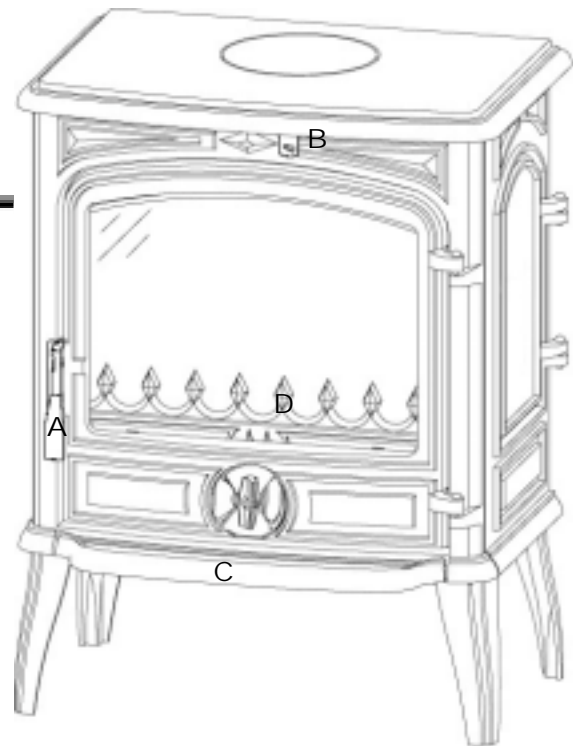
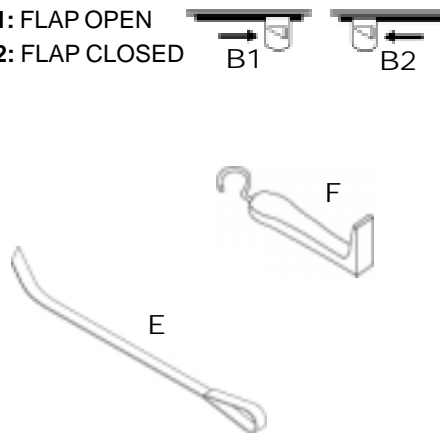
B2: FLAP CLOSED

C - ASH FENDER

D - ANDIRON

E - POKER

F - HAND TOOL



**When lit for the first time, the stove will emit a slight odour for a few hours. This is a normal temporary condition caused by the "burn-in" of internal paints and lubricants used in the manufacturing process and will not occur again. Simply open a window to sufficiently ventilate the room during the first few hours of operation.**

To start, a brisk fire is required. Place loosely crumpled paper on the grate and cover with dry kindling. Open the air control fully by moving it to the right. Light the paper and leave the door slightly ajar (one inch) until all kindling is burning. To maintain a brisk fire, a hot coal bed must be established and maintained.

Slowly add larger wood (2x4 size pieces). Lay the pieces lengthwise from side to side in the hot coal bed with a shallow trench between, so that the primary air can flow directly into this trench and ignite the fuel above. When the fire seems to be at its peak, medium sized logs may be added. Once these logs have caught fire, carefully close the door. (Closing the door too quickly after refuelling will reduce the firebox temperature and result in an unsatisfactory burn.) Remember it is more efficient to burn medium sized wood, briskly, and refuel frequently than to load the fireplace with large logs that result in a smouldering, inefficient fire and dirty glass.

As soon as the door is closed, you will observe a change in the flame pattern. The flames will get smaller and lazier because less oxygen is getting into the combustion chamber. The flames, however, are more efficient. The flames will remain lazy but become larger again as soon as the castings have been heated thoroughly and the chimney becomes heated and provides a good draft.

At this point, the roaring fire that you see when the door is opened is wastefully drawing heated room air up the chimney -- certainly not desirable. So always operate with the door fully closed once the medium sized logs have caught fire.

You can now add larger pieces of wood and operate the stove normally. Once the stove is entirely hot, it will burn very efficiently with little smoke from the chimney. There will be a bed of orange coals in the firebox and secondary flames flickering just below the top firebrick. You can safely fill the firebox with wood to the top of the door and will get best burns if you keep the stove pipe temperatures between 250 degrees Fahrenheit (120 degrees Celsius) and 450 degrees Fahrenheit (270 degrees Celsius). A surface thermometer will help regulate this. **WITHOUT A STOVE THERMOMETER YOU ARE WORKING BLINDLY AND HAVE NO IDEA OF HOW THE STOVE IS OPERATING. A STOVE THERMOMETER OFFERS A GUIDE TO PERFORMANCE.**

Can't get the stove going? Use more kindling and paper. Assuming the chimney and vent are sized correctly and there is sufficient combustion air, the lack of sufficiently dry quantities of small kindling is the problem. Thumb size is a good gauge for small kindling diameter.

Can't get heat out of the stove? One of two things may have happened. The stove door may have been closed prematurely and the stove itself has not reached optimum temperature. Reopen the door and/or draft control to re-establish a brisk fire. The other problem may have been wet wood. The typical symptom is sizzling wood and moisture being driven from the wood.

## 8 ACHIEVING PROPER DRAFT

Draft is the force which moves air from the stove up through the chimney. The amount of draft in your chimney depends on the length and diameter of chimney, local geography, nearby obstructions and other factors. Adjusting the air control (**Item B - Figure 11**) regulates the temperature. The draft can be adjusted from a low burn rate with the control fully closed, to a fast burn rate with the control fully open.

Inadequate draft may cause back-puffing into the room through the stove and chimney connector points and may cause plugging of the chimney. Too much draft may cause an excessive temperature in the stove, glowing red stove parts or chimney connectors or an uncontrollable burn which can lead to a chimney fire or permanent damage to the unit.

Do not operate your stove for longer than 30 minutes with the air control on "HIGH" (fully open).

### FIRE EXTINGUISHERS / SMOKE DETECTORS

All homes with a solid fuel burning fireplace should have at least one fire extinguisher in a central location known to all, and at least one smoke detector in the room containing the fireplace. If it sounds an alarm, correct the cause but do not deactivate or relocate the smoke detector.

### FUEL LOADING AND BURN CYCLE

**WHEN LOADING THE STOVE, ENSURE THAT THE TWO UPPER COURSES OF FIREBRICK ARE NOT LIFTED UP AND OFF THEIR LEDGE.**

For maximum efficiency, when the stove is thoroughly hot, load it fully to the top of the door opening and burn at a medium low setting. Maximum heat for minimum fuel (optimum burn) occurs when the stove top temperature is between 500°F (260°C) and 600°F (315°C). The bricks will be nearly all white and the glass mostly clear. The whiteness of the bricks and the cleanness of the glass are good indicators of your operating efficiency. Not enough heat is produced when only one or two pieces of wood are burned or the wood may not burn completely. A minimum of three pieces are needed to encase a bed of coals that sustains the fire.

Loosely stacked wood burns quicker than a tightly packed load. Wood burns in cycles rather than giving a steady output of heat. It is best to plan these cycles around your household routine so that only enough coals are left to start the next load. In the evening, load your stove, at least, a half-hour before bed to ensure a good fire, hot enough to close the draft control for an overnight burn. Burn only dry seasoned wood.

It produces more heat and less soot or creosote. Do not burn ocean beach wood. Its salt content can produce a metal eating acid. When refueling open the door slowly to prevent smoke spillage. Use a pair of long gloves (barbecue gloves) when feeding the fire. Because these stoves burn at the front, they are clean and efficient, but they are also very hot and gloves are useful. Keep a small steel shovel nearby to use as a poker and to remove ashes. Do not store the wood within 3 feet (1m) of the stove.

### FLASH FIRE:

A flash fire is a small fire burned quickly when you don't need much heat. After your kindling has "caught", load at least 3 pieces of wood, stacked loosely. Burn with the draft control fully open or closed only slightly.

### EXTENDED FIRE:

Load your larger pieces of wood compactly, packed close enough to prevent the flames from penetrating it completely. After approximately 30 minutes, depending on the size of the load, close the draft control completely making sure that the fire is not extinguished.

*DO NOT OVERFIRE THE STOVE!*

Overfiring can occur by:

- a) burning large amounts of smaller wood pieces such as furniture scraps, skids or treated wood;
- b) vigorously burning large loads of wood with the draft control on "HIGH" (fully open) for long periods of time (one or two hours).

### ASH REMOVAL PROCEDURES

It is essential to keep the grate free of a heavy build up of ashes.

**Remember to burn solid fuel correctly: air should be allowed to flow from the ash pit area through the grate and through the fuel. If the grate or ash pan are congested, the burn performance will be effected.**

When burning solid fuel, always empty the ash pan at least once a day or whenever it is full of ashes. Never allow the ashpan to overfill thereby allowing ash to be in contact with the underside of the grate. If this condition is allowed, the grate will wear out prematurely.

Hot ashes may be kept in a metal container with a tight fitting lid. Keep the closed container on a noncombustible floor or ground, well away from all combustible materials. The ashes should be retained in the closed container until all cinders have thoroughly cooled. Cold wood ashes can be used on the garden or in the compost.



| DO'S   | DON'TS   |
|--|--|
| <ol style="list-style-type: none"> <li>1. Build a hot fire</li> <li>2. Use only dry wood.</li> <li>3. Several pieces of medium sized wood are better than a few big pieces.</li> <li>4. Clean chimney regularly.</li> <li>5. Refuel frequently using medium sized wood.</li> <li>6. "Fine Tune" the air settings for optimum performance.</li> </ol> | <ol style="list-style-type: none"> <li>1. Take ash out immediately. Let it accumulate to a depth of at least one inch. A good ash layer provides for a longer lasting and better burning fire.</li> <li>2. Burn wet wood.</li> <li>3. Close the door too soon or damper down too quickly.</li> <li>4. Burn one large log rather than two or three smaller, more reasonably sized logs.</li> <li>5. Burn at continually "low setting", if glass door is constantly blackened. This means the firebox temperature is too low.</li> </ol> |

## WOOD PILE MAINTENANCE

Burn only dry, clean unpainted wood that has been seasoned. It produces more heat and less soot or creosote. Freshly cut wood contains about 50% moisture while after proper seasoning only about 20% of the water remains. As wood is burned, this water boils off consuming energy that should be used in heating. The wetter the wood, the less heat is given off and the more creosote is produced.

Both hardwood and softwood burn equally well in this stove but hardwood is denser, will weigh more per cord and burn a little slower and longer. Firewood should be split, stacked in a manner that air can get to all parts of it and covered in early spring to be ready for burning that fall. Dry firewood has cracks in the end grain. Cut the wood so that it will fit horizontally, front to back, making for easier loading and less of a likelihood that the wood will roll onto the glass.

## STOVE MAINTENANCE

Check your chimney and chimney connector for creosote and soot buildup weekly until a safe frequency for cleaning is established. If accumulation is excessive, disconnect the stove and clean both the chimney and the stove. You may want to call a professional chimney sweep to clean them. Both have to be cleaned at least once a year or as often as necessary.

**SMOKING:** A properly installed stove should not smoke. If yours does, check the following: Has the chimney had time to get hot? Is the smoke passage blocked anywhere in the stove, chimney connector or chimney? Is the room too airtight and the air intake not connected to the outside? Try with a window partly open. Is the smoke flow impeded by too long a horizontal pipe or too many bends? Is it a weak draft perhaps caused by a leaky chimney, a cold outside chimney, too short a chimney, or a chimney too close to trees or a higher roof? Has a direct flue connection been used rather than a chimney liner continuous from cap to fireplace flue collar.

## CREOSOTE FORMATION AND REMOVAL

When wood is burned slowly, it produces tar and other organic vapours which combine with expelled moisture to form creosote. These vapours condense in the relatively cooler chimney flue of a slow burning fire and when ignited, make an extremely hot fire. So, the smoke pipe and chimney should be inspected monthly during the heating season to determine if a buildup has occurred. If creosote has accumulated it should be removed to reduce the risk of a chimney fire.

### RUNAWAY OR CHIMNEY FIRE

Runaway fires can be the result of **two** major factors:

1. Using incorrect fuel, or small fuel pieces which wood normally be used as kindling.
2. Leaving the door ajar too long and creating extreme temperatures as the air rushes in the open door.

### SOLUTIONS:

1. Do not burn treated or processed wood, coal, charcoal, coloured paper or cardboard.
2. Be careful not to over-fire the unit by leaving the door open too long after initial start-up. A thermometer on the chimney connector and/or stove top helps.

### WHAT TO DO IF A RUNAWAY OR CHIMNEY FIRE STARTS:

1. Close the draft fully.
2. Call local fire department.
3. Examine flue-pipes, chimney, attic, and roof of the house, to see if any part has become hot enough to catch fire. If necessary spray with a fire extinguisher or water from a garden hose.
4. Do not operate the stove again until you are certain the chimney and its lining have not been damaged.

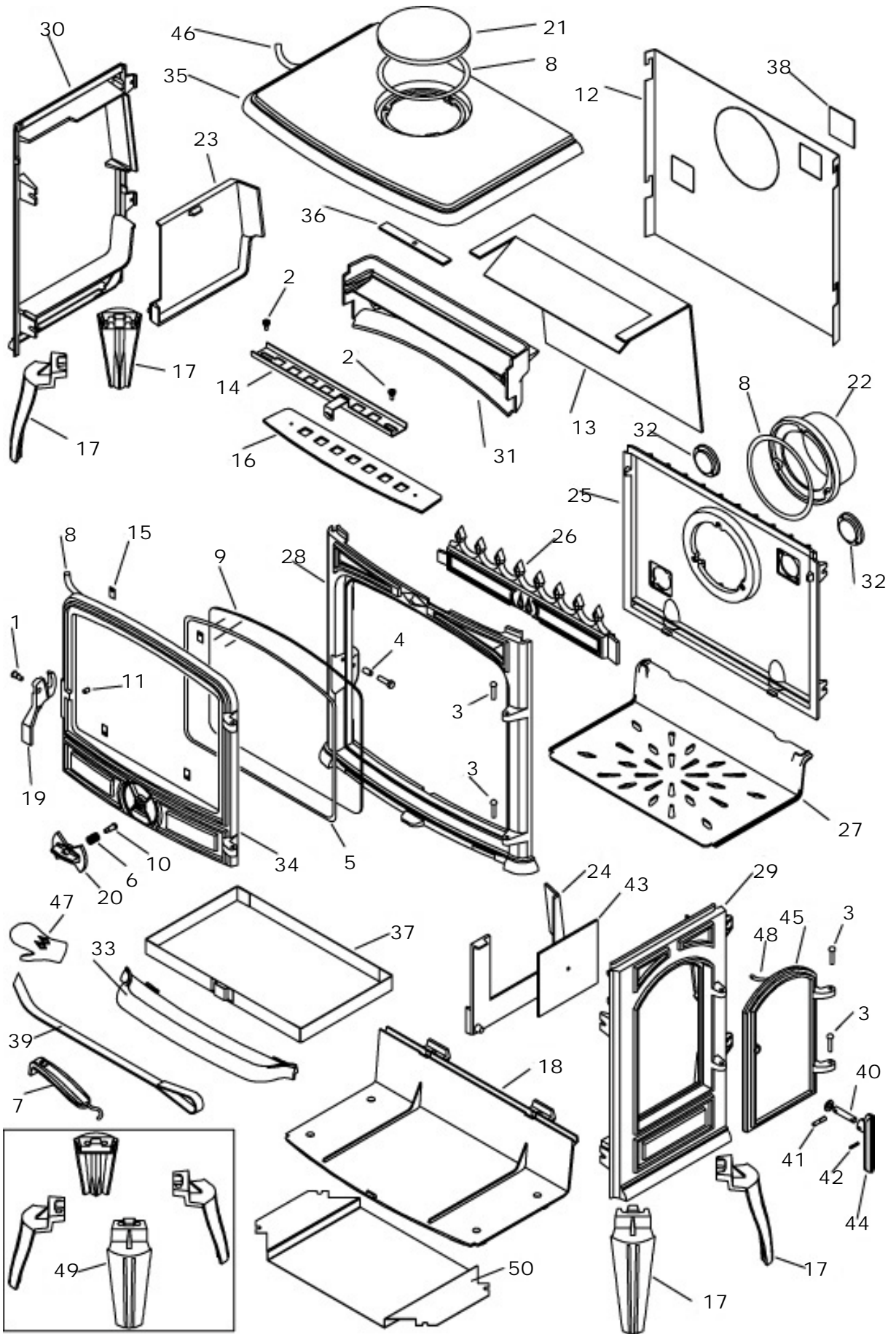
# 10 ORDERING PROCEDURES

Contact your dealer or the factory for questions concerning prices and policies on replacement parts. Normally all parts can be ordered through your Napoleon dealer or distributor. When ordering replacement parts always give the following information:

1. Model & Serial Number of fireplace
2. Installation date
3. Part Number
4. Description of part
5. Finish

## REPLACEMENT PARTS

| #  | CODE   | DESCRIPTION       | #  | CODE   | DESCRIPTION     |
|----|--------|-------------------|----|--------|-----------------|
| 1  | 100917 | CAM PIN           | 26 | 307434 | ANDIRON         |
| 2  | 100939 | AXLE              | 27 | 309228 | GRATE           |
| 3  | 110404 | HINGE PIN         | 28 | 309891 | FRONT PLATE     |
| 4  | 13458  | BUSHING           | 29 | 310726 | RT SIDE PANEL   |
| 5  | 142301 | ADHESIVE ROPE     | 30 | 310824 | LT SIDE PANEL   |
| 7  | 808001 | HAND TOOL         | 31 | 315607 | AIR DUCT        |
| 8  | 181607 | CERAMIC ROPE      | 32 | 325304 | PLUG            |
| 9  | 188812 | CERAMIC GLASS     | 33 | 327903 | ASH FENDER      |
| 11 | 189825 | SCREW             | 34 | 331104 | MAIN DOOR       |
| 12 | 205362 | BACK PANEL        | 35 | 352150 | TOP CASTING     |
| 13 | 222556 | FLUE BAFFLE       | 36 | 406816 | CLAMP           |
| 14 | 237411 | AIR CONTROL PLATE | 37 | 624042 | ASH PAN         |
| 15 | 259015 | GLASS CLIP        | 38 | 162541 | RATING PLATE    |
| 16 | 270408 | AIR CONTROL FLAP  | 39 | 415504 | POKER           |
| 17 | 300126 | LEG               | 40 | 101045 | PIN             |
| 18 | 300481 | BASE              | 41 | 134711 | FLUTED PIN      |
| 19 | 301526 | DOOR LOCK         | 42 | 134749 | COTTER PIN      |
| 21 | 303718 | BLANKING PLATE    | 43 | 262010 | DOOR SHIELD     |
| 22 | 303860 | FLUE COLLAR       | 44 | 300991 | SIDE DOOR LATCH |
| 23 | 305014 | LEFT WALL         | 45 | 303514 | SIDE DOOR       |
| 24 | 305212 | RIGHT WALL        | 46 | 181619 | CERAMIC ROPE    |
| 25 | 306276 | BACK WALL         | 47 | 134107 | GLOVE           |
|    |        |                   | 48 | 181622 | CERAMIC ROPE    |
|    |        |                   | 50 | 262607 | HEAT SHIELD     |





## Free Manuals Download Website

<http://myh66.com>

<http://usermanuals.us>

<http://www.somanuals.com>

<http://www.4manuals.cc>

<http://www.manual-lib.com>

<http://www.404manual.com>

<http://www.luxmanual.com>

<http://aubethermostatmanual.com>

Golf course search by state

<http://golfingnear.com>

Email search by domain

<http://emailbydomain.com>

Auto manuals search

<http://auto.somanuals.com>

TV manuals search

<http://tv.somanuals.com>