

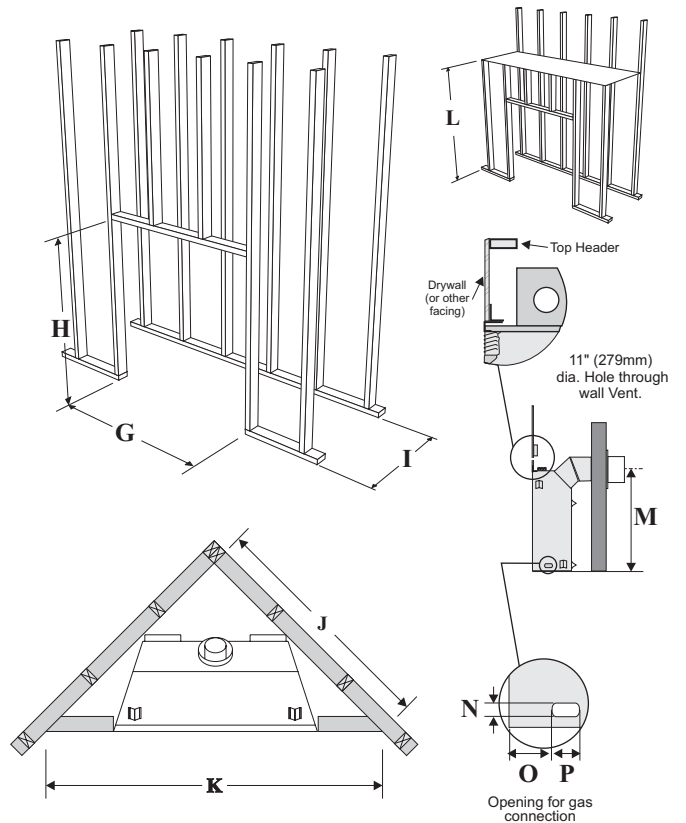
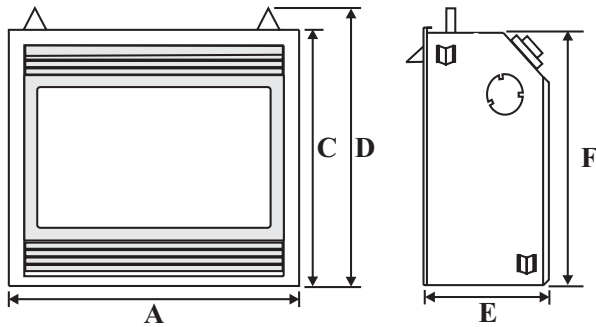
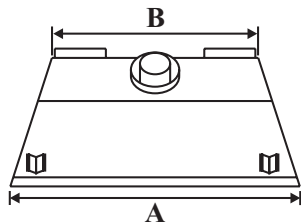
P48 Zero Clearance Direct Vent Gas Fireplace

Model	P48-NG2	P48-LP2
Fuel Type	Natural Gas	Propane
Minimum Supply Pressure	5" W.C. (1.25 kPa)	12" W.C. (3.00 kPa)
Manifold Pressure - High	3.8" W.C. (0.95 kPa)	11" W.C. (2.74 kPa)
Manifold Pressure - Low	1.1" W.C. (0.27 kPa)	3.3" W.C. (0.82 kPa)
Orifice Size	#27 DMS - 0-4500ft	#47 DMS
Minimum Input	29,000 BTU/h (8.49 kW)	26,000 BTU/h (3.07 kW)
Maximum Input	51,000 BTU/h (14.94 kW)	48,000 BTU/h (6.30 kW)
Vent Sizing	5" Inner / 8" Outer	5" Inner / 8" Outer

Approved Venting Systems	
Flex Vent Systems:	FPI AstroCap™ Flex Vent
Rigid Pipe Vent Systems:	Simpson Dura-Vent® Direct Vent GS



Gas Fireplaces



Unit Dimensions	Description	P33
A	Front Face Width	48" (1219mm)
B	Rear Firebox Width	34-1/2" (876mm)
C	Front Face Height	41" (1041mm)
D	Height w/ Standoff	47" (1193mm)
E	Unit Depth	23-1/4" (324mm)
F	Firebox Height	40" (1016mm)
Framing Dimensions	Description	P33
G	Framing Width	48-1/2" (1232mm)
H***	Framing Height***	47-1/2" (1207mm)***
I	Framing Depth	29-3/4" (756mm) Vertical Rise 26-1/4" (667mm) No Vertical Rise
J	Corner Wall Length	57-5/8" (1464mm)
K	Corner Facing Wall Width	81-1/2" (2070mm)
L	Framed Chase Ceiling	N/A - Vertical Rise 50" (1270mm) No Vertical Rise
M	Vent Centerline Height	43" (1092mm)
N	Gas Connection Height	2" (51mm)
O	Gas Connection Inset	3-3/4" (95mm)
P	Gas Connection Width	5" (127mm)

Please refer to Page 11 (Exterior Vent Terminations) for additional guidelines on vent locations.

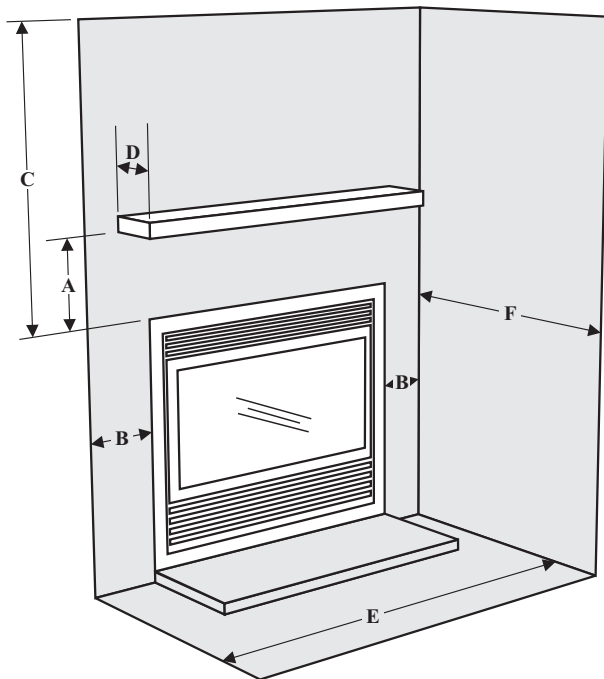
***Important: Framing height requires consideration of the hearth depth. Dimension H = H + the thickness of installed hearth.

P48 Gas Fireplace

Framing and Finishing

- 1) Determine the total thickness of facing material (e.g. drywall plus ceramic tiles) to allow the finished surface to be flush with the front of the unit. Total facing thickness can vary from 1/2" (13mm) to 1-1/4" (32mm) thick.
- 2) Frame in the enclosure for the unit with framing material.
- 3) For exterior walls, insulate the enclosure to the same degree as the rest of the house, apply vapor barrier and drywall, as per local installation codes. **(Do not insulate the fireplace itself.)**
- 4) The top of the unit must not be closer than 39" (990mm) to the ceiling.
- 5) Combustible material may be brought up to the top and sides of the unit and be covered with ceramic tiles, bricks, rock or other suitable combustible finishing materials.
Note: The unit does not have to be completely enclosed in a chase. The clearance on top of the unit is 0" to the standoffs so combustible building materials can be laid directly on top of the standoffs. You must maintain proper clearances from the vent to combustible materials (See Below).
- 6) Use metal studs for framing where the minimum clearance from the vent to combustible material cannot be maintained.

Clearance Requirements



Clearance:	Dimension	Measured From:
A: Mantel Height	8" (203mm)	Minimum (Additional on this page)
B: Sidewall	6" (152mm)	Side of installed front
C: Ceiling	36" (914mm)	Top of installed unit
D: Mantel Depth	12" (305mm)	Maximum (Additional on this page)
E: Alcove Width	60" (1524mm)	Sidewall to Sidewall (Minimum)
F: Alcove Depth	36" (914mm)	Front to back wall (Maximum)

Top of Hearth must not be higher than the base of the firebox.

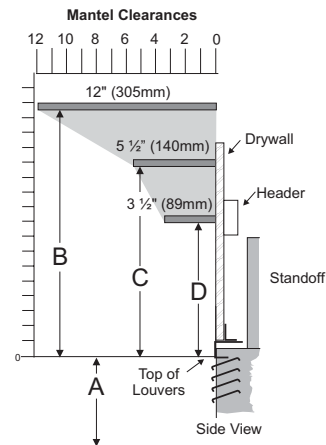
Vent Clearances	Clearance Dimension
Horizontal - Top	2-1/2" (64mm)
Horizontal - Side	1-1/2" (38mm)
Horizontal - Bottom	1-1/2" (38mm)
Vertical	1-1/4" (32mm)

WARNING

Failure to maintain required clearances is a major cause of chimney related fires. Installation of this fireplace must comply with these clearances.

Combustible Mantels

Because of the extreme heat this fireplace emits, the mantel clearances are critical. Combustible mantel clearances from top of the louvers are shown in the diagram below. Mantel may be installed anywhere in the shaded area or higher.



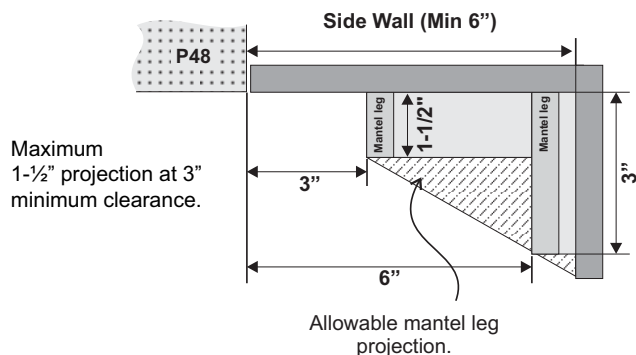
Mantel Clearances	A	B	C	D
Front	41" (1041mm)	15" (381mm)	10" (254mm)	8" (203mm)

Note: If desired a non-combustible mantel may be installed at a lower height.

Note: Ensure the paint that is used on the mantel and the facing is "heat resistant" or the paint may discolour.

Mantel Leg Clearances

Combustible mantel leg clearances as per diagram below: Clearances are from the finished edge of the unit



Regency Direct Vent System (Flex) Horizontal Terminations Only

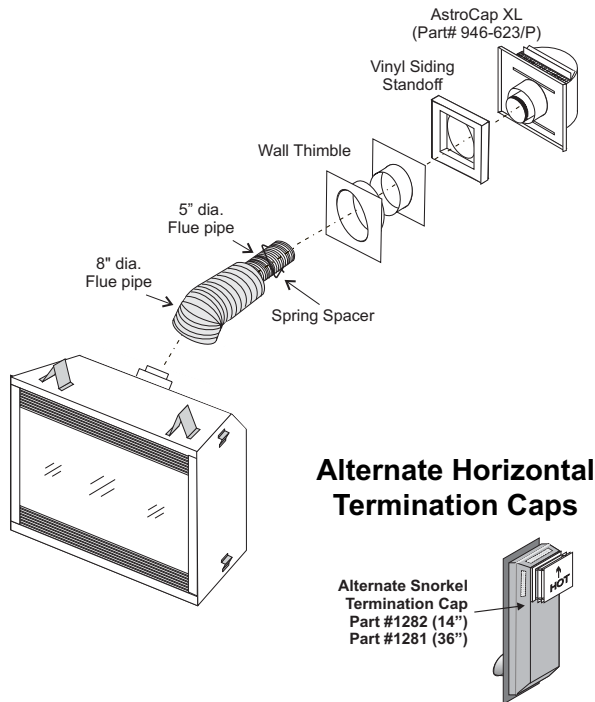
These venting systems, in combination with the P48 Direct Vent Gas Fireplace, have been tested and listed as a direct vent heater system by Warnock Hersey. The location of the termination cap must conform to the requirements in the Vent Terminal Locations diagram.

FPI Direct Vent (Flex) System Termination Kits include all the parts needed to install the P48 using a flexible vent.

FPI Kit #	Length	Contains:
#946-618	6 Feet	<ol style="list-style-type: none"> 1) 6-5/8" flexible liner (Kit length) 2) 4" flexible liner (Kit length) 3) spring spacers (3) 4) thimble (2) 5) AstroCap termination cap (1)
#946-616	10 Feet	<ol style="list-style-type: none"> 6) screws (12) 7) tube of Mill Pac (1) 8) plated screws (8) 9) S.S. screws #8 x 1-1/2" drill point, (4) 10) vinyl siding standoff

Notes:

- 1) Liner sections should be continuous without any joints or seams.
- 2) Only Flex pipe purchased from Regency may be used for Flex installations.
- 3) Horizontal sections must be supported every 3 feet.



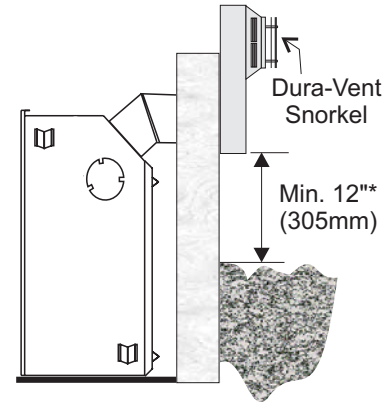
Alternate Horizontal Termination Caps

If required by the external termination location the listed alternate termination caps may be used. (Refer to Page 11)

Snorkel Terminations

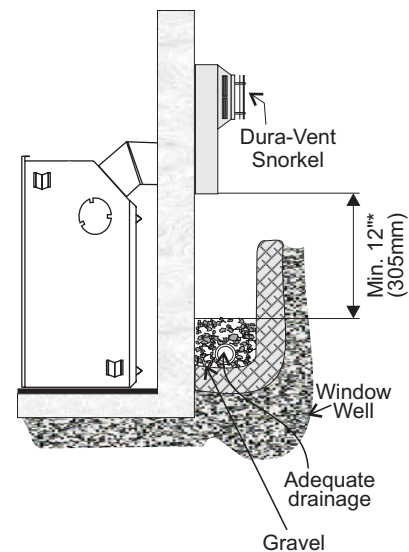
Snorkel Terminations:

For installations requiring a vertical rise on the exterior of the building, 14-inch and 36-inch tall Snorkel Terminations are available. Follow the same installation procedures as used for standard Horizontal Termination. NEVER install the snorkel upside down.



Below Grade Snorkel Installation (Dura-Vent Only)

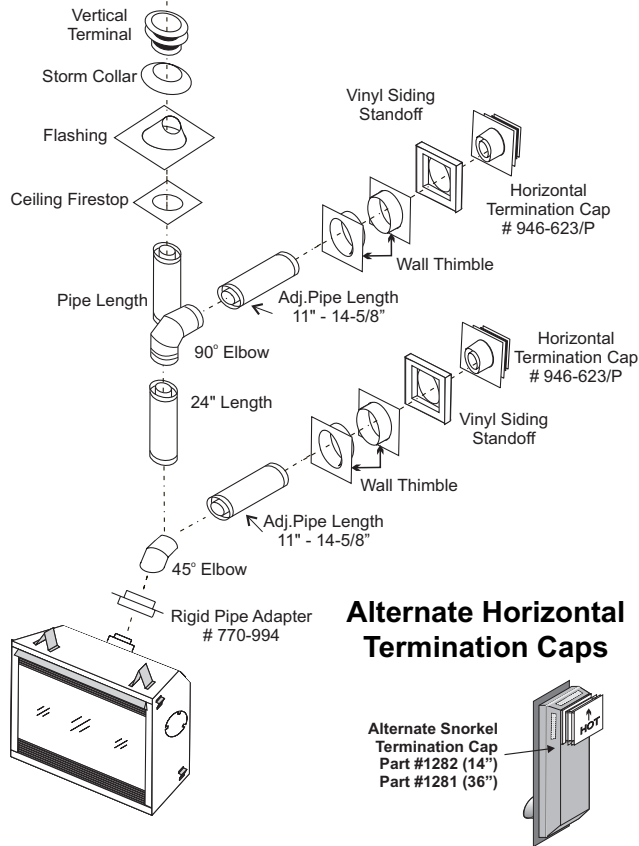
If the Snorkel Termination must be installed below grade, i.e. basement application, proper drainage must be provided to prevent water from entering the Snorkel Termination. Refer to Rigid Pipe Installation instructions for details. Do not attempt to enclose the Snorkel within the wall, or any other type of enclosure.



Gas Fireplaces

P48 Gas Fireplace

Rigid Pipe Venting Horizontal or Vertical Terminations



Alternate Horizontal Termination Caps

Alternate Snorkel Termination Cap
Part #1282 (14")
Part #1281 (36")

If required by the external termination location the listed alternate termination caps may be used. (Refer to Page 11)

Venting Arrangements - Vertical Terminations

Rigid Pipe System (Propane & Natural Gas)

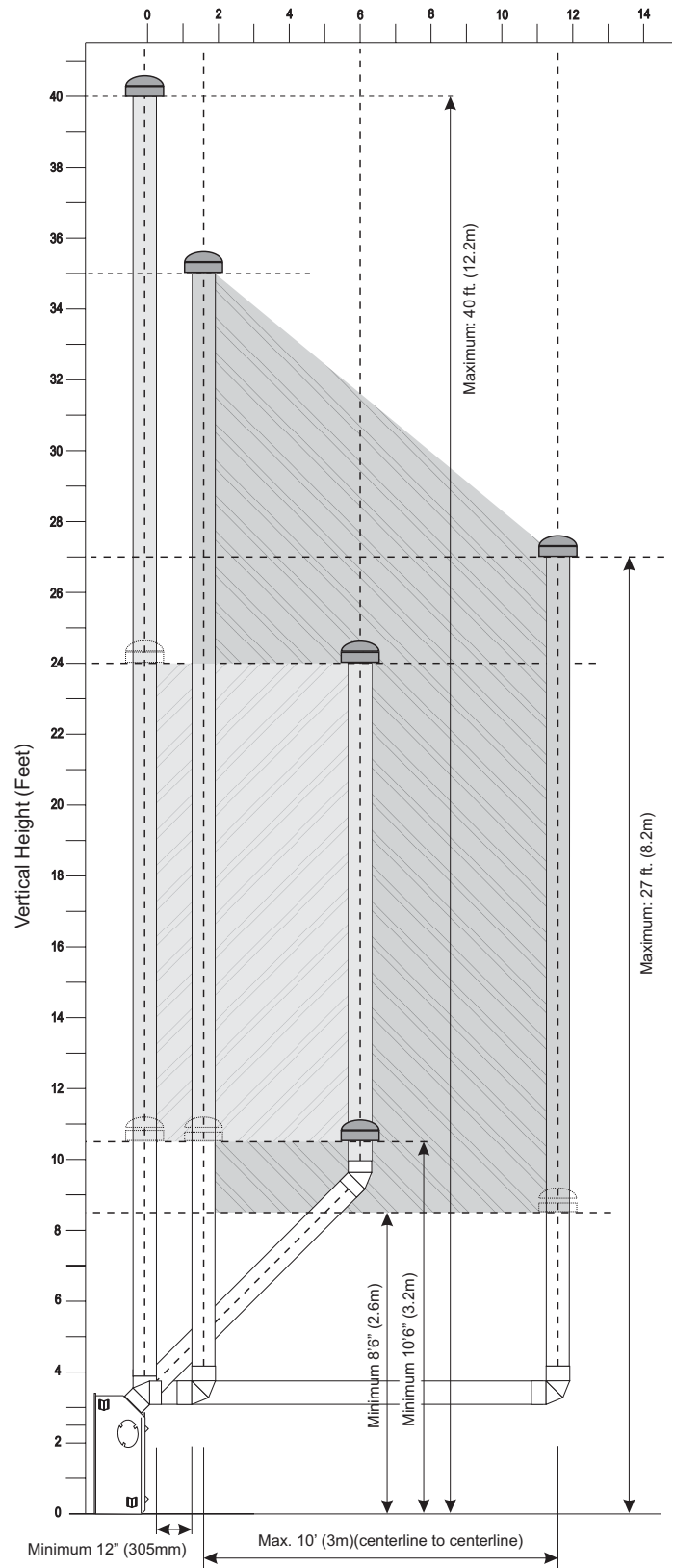
The P48 is approved for a maximum 40 ft. straight vertical, with **Rigid Pipe** vent systems for Propane and Natural Gas.

The lightly shaded area, , in the diagram shows allowable venting configurations with a maximum two 45° elbows allowed.

The darker shaded area, , in the diagram shows allowable venting configurations using 45° and one 90° elbow.

- Vent must be supported at offsets.
- Horizontal sections must be supported every 3 feet.
- Firestops are required at each floor level and whenever passing through a wall.
- Maintain clearances to combustibles materials.
- Minimum of 1' pipe section between elbows.

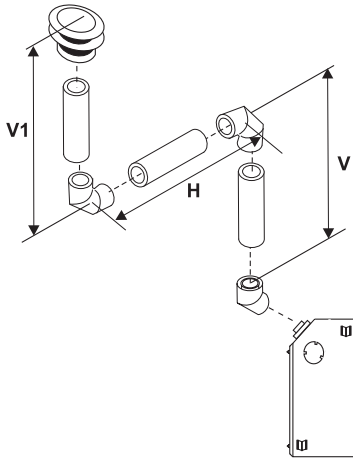
Note: Must use optional flue adapter when using Rigid Pipe (Part # 770-994).



Vertical Venting with Two (2) 90° Elbows - Initial vertical section.

Two 45° elbows = One 90° elbow

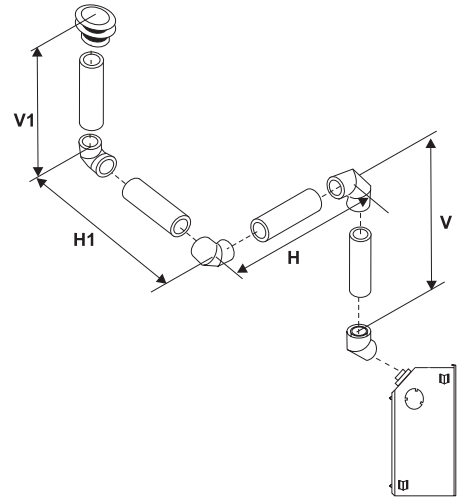
Option	V	H	V+ V1	Maximum total pipe: length, of all sections, must not exceed 30 feet. Total horizontal sections must not exceed 8 feet. Minimum of 1 foot between 90° elbows is required.
A)	1' Min.	4' Max.	2' Min.	
B)	2' Min.	5' Max.	3' Min.	
C)	3' Min.	6' Max.	4' Min.	
D)	4' Min.	7' Max.	5' Min.	
E)	5' Min.	8' Max.	6' Min.	



Vertical Venting with Three (3) 90° Elbows - Initial vertical section.

Two 45° elbows = One 90° elbow

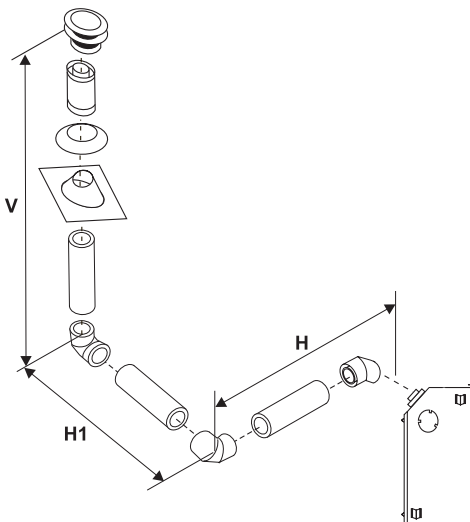
Option	V	H + H1	V+ V1	Maximum total pipe: length, of all sections, must not exceed 30 feet. Total horizontal sections must not exceed 8 feet. Minimum of 1 foot between 90° elbows is required.
A)	2' Min.	3' Max.	4' Min.	
B)	3' Min.	4' Max.	6' Min.	
C)	4' Min.	5' Max.	7' Min.	
D)	5' Min.	6' Max.	8' Min.	
E)	6' Min.	7' Max.	9' Min.	
F)	7' Min.	8' Max.	10' Min.	



Vertical Venting with Two (2) 90° Elbows - Initial horizontal section.

Two 45° elbows = One 90° elbow

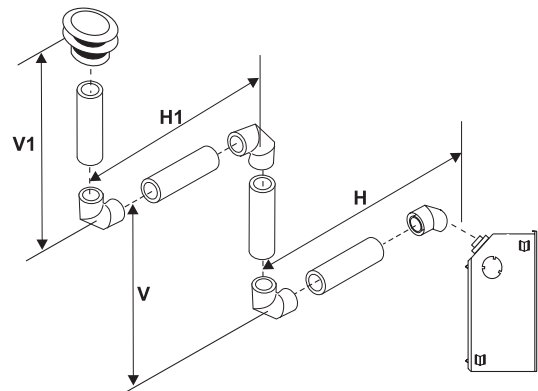
Option	H + H1	V	Maximum total pipe: length, of all sections, must not exceed 30 feet. Total horizontal sections must not exceed 6 feet. Minimum of 1 foot between 90° elbows is required.
A)	2' Max.	2' Min.	
B)	3' Max.	3' Min.	
C)	4' Max.	4' Min.	
D)	5' Max.	5' Min.	
E)	6' Max.	6' Min.	



Vertical Venting with Three (3) 90° Elbows - Initial horizontal section.

Two 45° elbows = One 90° elbow

Option	H	V	H + H1	V+ V1	Maximum total pipe: length, of all sections, must not exceed 30 feet. Total horizontal sections must not exceed 7 feet. Minimum of 1 foot between 90° elbows is required.
A)	1' Max.	1' Min.	3' Max.	3' Min.	
B)	2' Max.	2' Min.	4' Max.	5' Min.	
C)	3' Max.	3' Min.	5' Max.	7' Min.	
D)	4' Max.	4' Min.	6' Max.	9' Min.	
E)	5' Max.	5' Min.	7' Max.	11' Min.	



P48 Gas Fireplace

Venting Arrangements - Horizontal Terminations

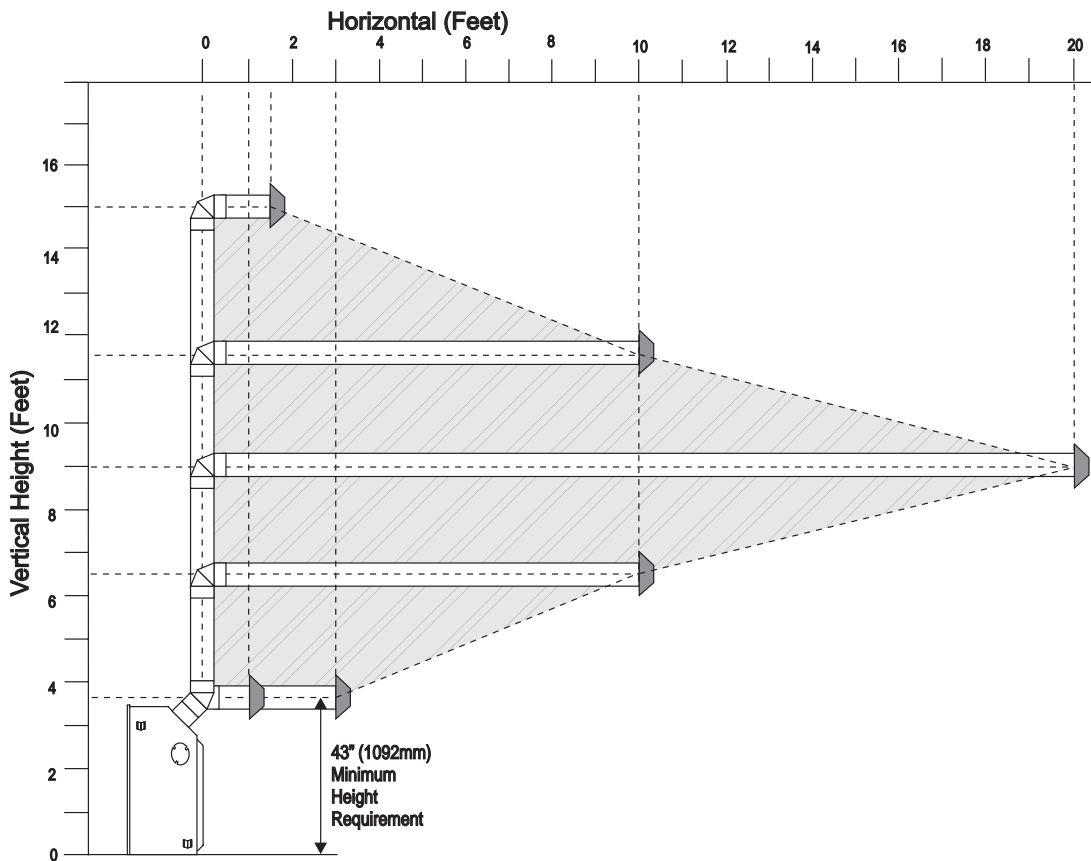
This diagram shows all allowable combinations of vertical runs with horizontal terminations, using one 45° and one 90° elbow (two 45° elbows equal one 90° elbow).

Note: Must use optional flue adapter (Part # 770-994) when using Rigid Pipe.

- Maintain clearances to combustibles.
- Horizontal vent must be supported every 3 feet.
- Firestops are required at each floor level and whenever passing through a wall.

A vent guard should be used whenever the termination is lower than the specified minimum or as per local codes.

Note: FPI Direct Vent System (Flex) is only approved for horizontal terminations.

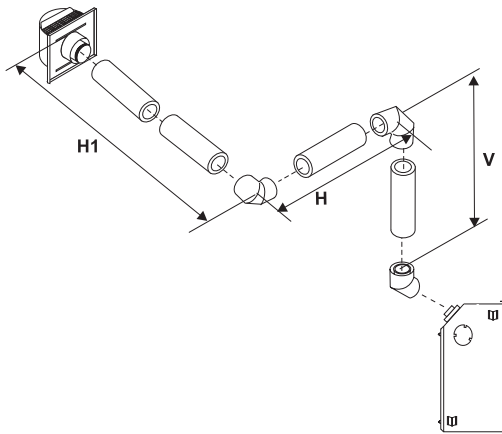


Please refer to Page 11 (Exterior Vent Terminations) for additional guidelines on vent locations.

Horizontal Venting with Two (2) 90° Elbows - Initial vertical section.

Two 45° elbows = One 90° elbow

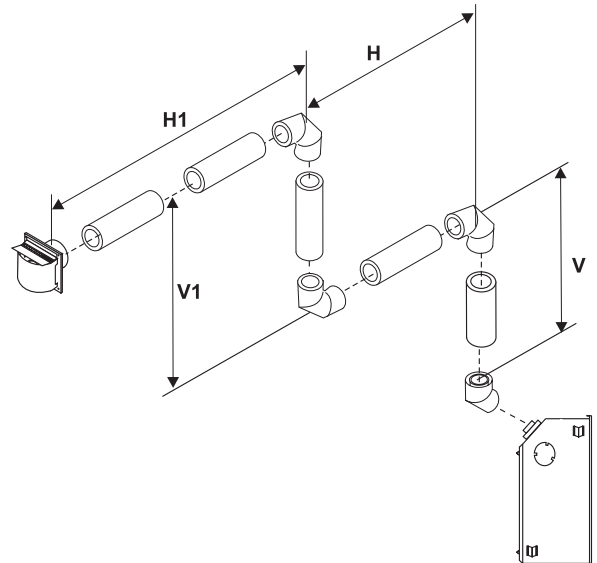
Option	V	H+ H1	Maximum total pipe: length, of all sections, must not exceed 30 feet. Total horizontal sections must not exceed 8 feet. Minimum of 1 foot between 90° elbows is required.
A)	1' Min.	3' Max.	
B)	2' Min.	4' Max.	
C)	3' Min.	5' Max.	
D)	4' Min.	6' Max.	
F)	6' Min.	8' Max.	



Horizontal Venting with Three (3) 90° Elbows - Initial vertical section.

Two 45° elbows = One 90° elbow

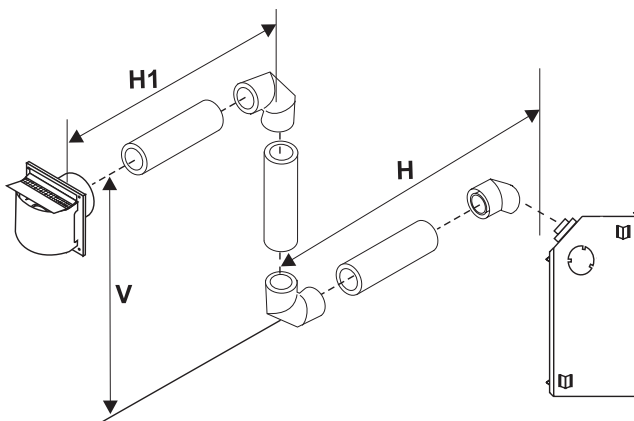
Option	V	H	V+ V1	H + H1	Maximum total pipe: length, of all sections, must not exceed 30 feet. Total horizontal sections must not exceed 8 feet. Minimum of 1 foot between 90° elbows is required.
A)	2' Min.	1' Max.	3' Min.	4' Max.	
B)	3' Min.	2' Max.	4' Min.	5' Max.	
C)	4' Min.	3' Max.	6' Min.	6' Max.	
D)	5' Min.	4' Max.	8' Min.	7' Max.	
F)	7' Min.	6' Max.	12' Min.	9' Max.	



Horizontal Venting with Two (2) 90° Elbows - Initial horizontal section.

Two 45° elbows = One 90° elbow

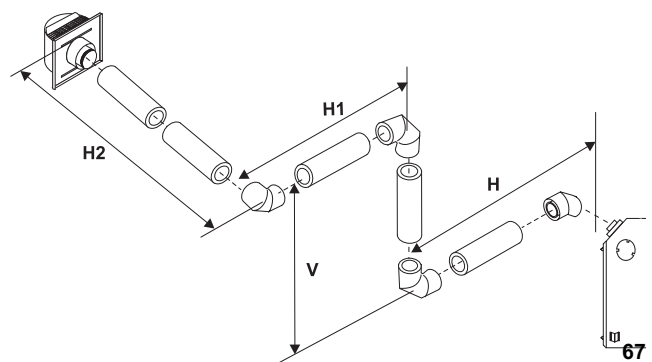
Option	H	V	H + H1	Maximum total pipe: length, of all sections, must not exceed 30 feet. Total horizontal sections must not exceed 8 feet. Minimum of 1 foot between 90° elbows is required.
A)	1' Max.	1' Min.	3' Max.	
B)	2' Max.	2' Min.	5' Max.	
C)	3' Max.	4' Min.	6' Max.	
E)	5' Max.	8' Min.	8' Max.	



Horizontal Venting with Three (3) 90° Elbows - Initial horizontal section.

Two 45° elbows = One 90° elbow

Option	H	V	H + H1 + H2	Maximum total pipe: length, of all sections, must not exceed 30 feet. Total horizontal sections must not exceed 7 feet. Minimum of 1 foot between 90° elbows is required.
A)	1' Max.	1' Min.	3' Max.	
B)	2' Max.	3' Min.	5' Max.	
C)	3' Max.	5' Min.	6' Max.	
D)	4' Max.	7' Min.	7' Max.	
F)	6' Max.	11' Min.	9' Max.	



Free Manuals Download Website

<http://myh66.com>

<http://usermanuals.us>

<http://www.somanuals.com>

<http://www.4manuals.cc>

<http://www.manual-lib.com>

<http://www.404manual.com>

<http://www.luxmanual.com>

<http://aubethermostatmanual.com>

Golf course search by state

<http://golfingnear.com>

Email search by domain

<http://emailbydomain.com>

Auto manuals search

<http://auto.somanuals.com>

TV manuals search

<http://tv.somanuals.com>