

RIGID®

OF45175A OPERATOR'S MANUAL



TWIN STACK PORTABLE AIR COMPRESSOR

⚠WARNING:

To reduce the risk of injury, the user must read and understand the Operator's Manual before using this product.

IN624800AV 1/08

Table of Contents

Section	Page	Section	Page
Table of Contents	2	Getting to Know Your Air Compressor	11
Safety Instructions	3	Operating Your Air Compressor ...	13
Safety Signal Words	3	Moisture in Compressed Air	13
Before Using the Air Compressor	3	Operating Your Air Compressor ...	13
Spraying Precautions	5	For Trouble-Free Operation	13
Breathable Air Warning	5	Maintenance	14
Warning Labels	6	Tank	15
Motor Specifications and Electrical Requirements	7	Filter Removal, Inspection, and Replacement	15
Power Supply and Motor Specifications	7	Lubrication	15
General Electrical Connections	7	Storage	15
110-120 Volt, 60 Hz Tool Information	8	Maintenance Schedule	15
Extension Cords	8	Troubleshooting	16
Thermal Overload Protector	9	Repair Parts	18
Glossary of Terms	9	Notes	22
Unpacking and Checking Content	10	Warranty	24
Installation	10		

Safety Instructions

This manual contains information that is very important to know and understand. This information is provided for SAFETY and to PREVENT EQUIPMENT PROBLEMS. To help recognize this information, observe the following symbols.

Safety Signal Words

▲DANGER: Danger indicates an imminently hazardous situation which, if not avoided, WILL result in death or serious injury.

▲WARNING: Warning indicates a potentially hazardous situation which, if not avoided, COULD result in death or serious injury.

▲CAUTION: Caution indicates a potentially hazardous situation which, if not avoided, MAY result in minor or moderate injury.

NOTICE: Notice indicates important information, that if not followed, may cause damage to equipment.

Before Using the Air Compressor

Air compressors are utilized in a variety of air system applications. Because air compressors and other components (material pump, spray gun, filters, lubrications, hoses, etc.) used make up a high pressure pumping system, the following safety precautions should be observed at all times. Only persons well acquainted with these rules of safe operation should be allowed to use the air compressor.

▲WARNING:

All electrical work should be done by a qualified (licensed or certified) electrician. On a properly wired circuit, the black wires supply a voltage potential even when the unit is off.

1. Read instruction manuals for each component carefully, before attempting to assemble, disassemble or operate your particular system.
2. Wear safety glasses (meeting ANSI Z87.1 or in Canada CSA Z94.3-99) and use hearing protection when operating the pump or unit. Everyday glasses are not safety glasses.

3. Do not exceed pressure rating of any component in system.
4. Protect material lines and air lines from damage or puncture. Keep hose and power cable away from sharp objects, chemical spills, oil, solvents, and wet floors.
5. Never point a spray gun at oneself or any other person. Accidental discharge may result in serious injury.
6. Check hoses for weak or worn condition, before each use, making certain all connections are secure; do not use if deficiency is found. Notify an authorized service facility for examination or repair.
7. Release all pressures within system slowly; dust and debris may be harmful.

▲WARNING:

Disconnect power and depressurize system before servicing air compressor! (Turn pressure regulator knob fully clockwise after shutting off compressor.)

Safety Instructions (continued)

8. Follow all local electrical and safety codes, as well as the National Electrical Code (NEC) and the Occupational Safety and Health Act (OSHA).
9. Wiring and fuses should follow electrical codes, current capacity, and be properly grounded.
10. Electric motors must be securely and adequately grounded. See grounding instructions and extension cord information in this manual.
11. Always disconnect power source before working on or near a motor, or its connected load. If power disconnect point is out-of-sight, lock it in the open position and tag to prevent unexpected application of power.
12. Guard all moving parts; keep visitors away. Never allow children in work area.
13. Use only a properly grounded outlet that will accept a three pronged plug, and wear shoes to prevent shock hazards.
14. Be careful when touching exterior of operating motor; it may be hot enough to cause injury.
15. Protect power cable from coming in contact with sharp objects.
16. Clean electrical or electronic equipment with an approved cleaning agent, such as dry, nonflammable cleaning solvent.
17. To avoid spontaneous combustion, discard waste rags into approved metal waste cans.
18. Never store flammable liquids or gases in vicinity of compressor.
19. When spraying with solvent or toxic chemicals, follow instructions provided by the chemical manufacturer.
20. Spray in a well ventilated area, to keep fumes from collecting and causing health and fire hazards.
21. Do not spray in vicinity of open flames or other places where a spark can cause ignition. Do not smoke when spraying paint, insecticides, or other flammable substances.
22. Use a respirator when spraying.
23. NEVER reset safety valve or pressure switch. Keep safety valve free from paint and other accumulations. This provides safety against over pressure.
24. Do regular maintenance; keep all nuts, bolts, and screws tight, to be sure equipment is in safe working condition .
25. Keep cleaning rags and other flammable waste materials in a tightly closed metal container and dispose of later in the proper fashion.
26. Drain tanks of moisture after each day's use. If unit will not be used for a while, it is best to leave drain cock open until such time as it is to be used. This will allow moisture to completely drain out and help prevent corrosion of inside of tank.
27. Inspect tank yearly for rust, pin holes or any other imperfections that could cause it to become unsafe. NEVER weld or drill holes in air tank.

Spraying Precautions

⚠WARNING:

Do not spray flammable materials in vicinity of open flame or near ignition sources including the compressor unit.



1. Do not smoke when spraying paint, insecticides, or other flammable substances.
2. Use a face mask/respirator when spraying and spray in a well ventilated area to prevent health and fire hazards.



3. Do not direct paint or other sprayed material at the compressor. Locate compressor as far away from the spraying area as possible to minimize overspray accumulation on the compressor.
4. When spraying or cleaning with solvents or toxic chemicals, follow the instructions provided by the chemical manufacturer.

⚠DANGER:

Breathable Air Warning

This compressor/pump is not equipped and should not be used “as is” to supply breathing quality air. For any application of air for human consumption, the air compressor/pump will need to be fitted with suitable in-line safety and alarm equipment. This additional equipment is necessary to properly filter and purify the air to meet minimal specifications for Grade D breathing as described in Compressed Gas Association Commodity Specification G 7.1 - 1966, OSHA 29 CFR 1910. 134, and/or Canadian Standards Associations (CSA).

DISCLAIMER OF WARRANTIES

In the event the compressor is used for the purpose of breathing air application and proper in-line safety and alarm equipment is not simultaneously used, existing warranties shall be voided, and Campbell Hausfeld disclaims any liability whatsoever for any loss, personal injury or damage.

⚠WARNING:

California Proposition 65

This product or its power cord contains chemicals known to the State of California to cause cancer and birth defects or other reproductive harm. Wash hands after handling.

Safety Instructions (continued)

Warning Labels

Find and read all warning labels found on the air compressor shown below

 **WARNING**

DRAIN TANK EVERY DAY TO PREVENT CORROSION AND POSSIBLE INJURY DUE TO TANK DAMAGE.

 **AVERTISSEMENT**

PURGER LE RESERVOIR QUOTIDIENNEMENT AFIN D'ÉVITER LA CORROSION ET LE RISQUE DE BLESSURES CAUSE PAR LE DOMMAGE AU RESERVOIR

 **ADVERTENCIA**









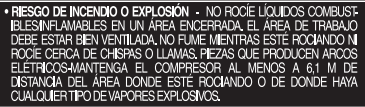

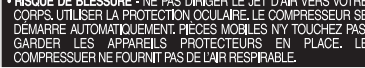
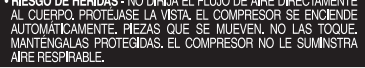

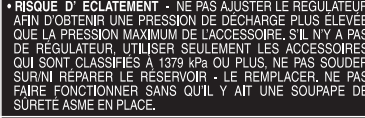
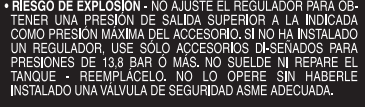

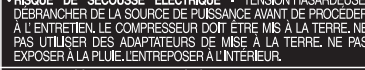
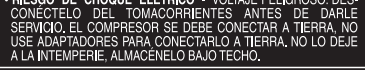
DRENE EL TANQUE DIARIAMENTE PARA EVITAR QUE SE OXIDE Y EL RIESGO DE HARIDAS DEBIDO A UN TANQUE DANADO.



EASY DRAIN VALVE LOCATED ON OPPOSITE SIDE
SOUPEPE DE PURGE FACILE AU COTE OPPOSE
VÁLVULA PARA FÁCIL DRENAJE UBICADA EN EL LADO OPUESTO

TO OPEN POUR OUVRIR PARA ABIR

DK864800AV 1207

 WARNING	 AVERTISSEMENT	 ADVERTENCIA
 • READ INSTRUCTION MANUAL BEFORE OPERATING.	 • LIRE LE MANUEL D'UTILISATION AVANT DE FAIRE FONCTIONNER LE MODÈLE.	 • LEA EL MANUAL DE INSTRUCCIONES ANTE DE OPERAR.
 • RISK OF FIRE OR EXPLOSION - DO NOT SPRAY COMBUSTIBLE/FLAMMABLE LIQUID IN A CONFINED AREA. SPRAY AREA MUST BE WELL VENTILATED. DO NOT SMOKE WHILE SPRAYING OR SPRAY WHERE SPARK OR FLAME IS PRESENT. ARCING PARTS - KEEP COMPRESSOR AT LEAST 20 FEET AWAY FROM SPRAYING AREA AND ALL EXPLOSIVE VAPORS.	 • RISQUE D'INCENDIE OU D'EXPLOSION - NE PAS PULVÉRISER LES LIQUIDES COMBUSTIBLES/INFLAMMABLES DANS UN ENDROIT CLOS. L'ENDROIT DE PULVÉRISATION DOIT ÊTRE BIEN VENTILÉ. NE PAS FUMER PENDANT LA PULVÉRISATION NI PULVÉRISER DANS L'ENDROIT D'UNE FLAMME OU D'UNE ÉTINCELLE. PIÈCES QUI PROJettent DES ÉTINCELLES - GARDER LE COMPRESSEUR AU MOINS 6.1 M DE L'ENDROIT DE PULVÉRISATION ET DE TOUTES VAPEURS EXPLOSIVES.	 • RIESGO DE INCENDIO O EXPLOSIÓN - NO ROCÍE LÍQUIDOS COMBUSTIBLES/INFLAMMABLES EN UN ÁREA ENCERRADA. EL ÁREA DE TRABAJO DEBE ESTAR BIEN VENTILADA. NO FUME MIENTRAS ESTE ROCIANDO NI ROCÍE CERCA DE CHISPAS O LLAMAS. PIEZAS QUE PRODUCEN ARCOS ELÉCTRICOS-MANTENGA EL COMPRESOR AL MENOS A 6.1 M DE DISTANCIA DEL ÁREA DONDE ESTE ROCIANDO O DE DONDE HAYA CUALQUIER TIPO DE VAPORES EXPLOSIVOS.
 • RISK OF INJURY - DO NOT DIRECT AIR STREAM AT BODY. USE EYE PROTECTION. COMPRESSOR STARTS AUTOMATICALLY. MOVING PARTS. DO NOT TOUCH. KEEP GUARDS IN PLACE. COMPRESSOR DOES NOT SUPPLY BREATHABLE AIR.	 • RISQUE DE BLESSURE - NE PAS DIRIGER LE JET D'AIR VERS VOTRE CORPS. UTILISER LA PROTECTION OCULAIRE. LE COMPRESSEUR SE DÉMARRE AUTOMATIQUÉMENT. PIÈCES MOBILES NY TOUCHEZ PAS. GARDER LES APPARELS PROTECTEURS EN PLACE. LE COMPRESSEUR NE FOURNIT PAS DE L'AIR RESPIRABLE.	 • RIESGO DE HERIDAS - NO DIRIJA EL FLUJO DE AIRE DIRECTAMENTE AL CUERPO. PROTEJASE LA VISTA. EL COMPRESOR SE ENCIENDE AUTOMÁTICAMENTE. PIEZAS QUE SE MUEVEN, NO LAS TOQUE. MANTÉNGALAS PROTEGIDAS. EL COMPRESOR NO LE SUMINISTRA AIRE RESPIRABLE.
 • RISK OF BURSTING - DO NOT ADJUST REGULATOR TO RESULT IN OUTPUT PRESSURE GREATER THAN MARKED MAXIMUM PRESSURE OF ATTACHMENT. IF A REGULATOR HAS NOT BEEN INSTALLED, USE ONLY ATTACHMENT RATED AT 200 PSI OR HIGHER. DO NOT WELD ON OR REPAIR TANK - REPLACE. DO NOT OPERATE WITHOUT PROPER ASME SAFETY VALVE IN PLACE.	 • RISQUE D'ÉCLATEMENT - NE PAS AJUSTER LE RÉGULATEUR AFIN D'OBTENIR UNE PRESSION DE DÉCHARGE PLUS ÉLEVÉE QUE LA PRESSION MAXIMUM DE L'ACCESSOIRE. S'IL N'Y A PAS DE RÉGULATEUR, UTILISER SEULEMENT LES ACCESSOIRES QUI SONT CLASSIFIÉS À 1379 KPa OU PLUS. NE PAS SOUDER SUR/NI RÉPARER LE RESERVOIR - LE REMPLACER. NE PAS FAIRE FONCTIONNER SANS QUIL Y AIT UNE SOUPEPE DE SÛRETÉ ASME EN PLACE.	 • RIESGO DE EXPLOSIÓN - NO AJUSTE EL REGULADOR PARA OBTENER UNA PRESION DE SALIDA SUPERIOR A LA INDICADA COMO PRESION MAXIMA DEL ACCESORIO. SI NO HA INSTALADO UN REGULADOR, USE SOLO ACCESORIOS DISEÑADOS PARA PRESIONES DE 13.8 BAR O MAS. NO SUELDE NI REPIRE EL TANQUE - REEMPLACELO. NO LO OPERE SIN HABERLE INSTALADO UNA VÁLVULA DE SEGURIDAD ASME ADECUADA.
 • RISK OF ELECTRICAL SHOCK - HAZARDOUS VOLTAGE. DISCONNECT FROM POWER SOURCE BEFORE SERVICING. COMPRESSOR MUST BE GROUNDED. DO NOT USE GROUNDING ADAPTORS. DO NOT EXPOSE TO RAIN. STORE INDOORS.	 • RISQUE DE SECousse ÉLECTRIQUE - TENSION HASARDEUSE. DÉBRANCHER DE LA SOURCE DE PUISSANCE AVANT DE PROCÉDER À L'ENTRETIEN. LE COMPRESSEUR DOIT ÊTRE MIS À LA TERRE. NE PAS UTILISER DES ADAPTEURS DE MISE À LA TERRE. NE PAS EXPOSER À LA PLUIE. L'ENTREPOSER À L'INTÉRIEUR.	 • RIESGO DE CHOQUE ELÉCTRICO - VOLTAJE PELIGROSO. DES-CONÉCTELO DEL TOMACORRIENTES ANTES DE DARLE SERVICIO. EL COMPRESOR SE DEBE CONECTAR A TIERRA. NO USE ADAPTADORES PARA CONECTARLO A TIERRA. NO LO DEJE A LA INTemperIE. ALMACÉNELO BAJO TECHO.
IF CONNECTED TO A CIRCUIT PROTECTED BY FUSES, USE TIME-DELAY FUSE MARKED "D". COMPLIES WITH CCR462 (L)(2).	SI BRANCHÉ À UN CIRCUIT PROTÉGÉ PAR DES FUSIBLES, UTILISER UNE FUSIBLE À RETARDEMENT MARQUÉE "D". SE CONFORME AU CCR462 (L)(2).	SI LO CONECTA A UN CIRCUITO PROTEGIDO CON FUSIBLES, USE FUSIBLES DE ACCIÓN RETARDADA TIPO "D". CUMPLE CON LAS ESPECIFICACIONES CCR462 (L)(2).

Motor Specifications and Electrical Requirements

Power Supply and Motor Specifications

⚠WARNING:

To reduce the risk of electrical hazards, fire hazards or damage to the tool, use proper circuit protection. Your tool is wired at the factory for operation using the voltage shown. Connect tool to a power line with the appropriate voltage and a 15-amp branch circuit. Use a 15-amp time delay type fuse or circuit breaker. To reduce the risk of shock or fire, if power cord is worn or cut, or damaged in any way, have it replaced immediately.

The A-C motor used on this compressor is a capacitor start, capacitor run non-reversible induction type, having the following specifications. It is wired at the factory for operation on 110V-120V AC, 60 Hz service.

Voltage	110-120
Amperes	14
Hertz (Cycles)	60
Phase	Single
RPM	3450

General Electrical Connections

⚠DANGER:

To reduce the risk of electrocution:

1. Use only identical replacement parts when servicing. Servicing should be performed by a qualified technician.
2. Do not use in rain or where floor is wet. This tool is intended for indoor residential use only.

⚠WARNING:

Do not permit fingers to touch the terminals of plug when installing or removing the plug to or from the outlet.

Motor Specifications and Electrical Requirements (continued)

110-120 volt, 60Hz Tool Information

The plug supplied on your tool may not fit into the outlet you are planning to use. Your local electrical code may require slightly different power cord plug connections. If these differences exist refer to and make the proper adjustments per you local code before your tool is plugged in and turned on.

In the event of a malfunction or breakdown, grounding provides a path of least resistance for electrical current to reduce the risk of electric shock. This tool is equipped with an electric cord having an equipment-grounding conductor and a grounding plug, as shown. The plug must be plugged into a matching outlet that is properly installed and grounded in accordance with all local codes and ordinances.

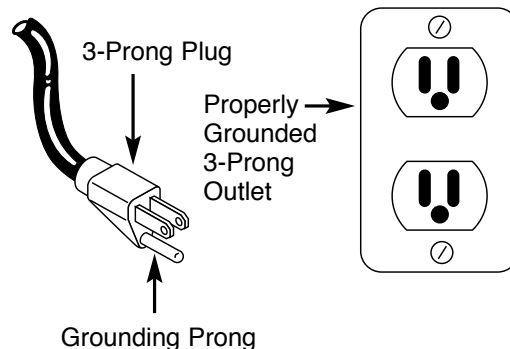
Do not modify the plug provided. If it will not fit the outlet, have the proper outlet installed by a qualified electrician.

Improper connection of the equipment-grounding conductor can result in a risk of electric shock. The conductor with insulation having an outer surface that is green with or without yellow stripes is the equipment-grounding conductor. If repair or replacement of the electric cord or plug is necessary, do not connect the equipment-grounding conductor to a live terminal.

If the grounding instructions are not completely understood, or if you are in doubt as to whether the tool is properly grounded check with a qualified electrician or service personnel.

⚠WARNING:

If not properly grounded, this tool can cause an electrical shock, particularly when used in damp locations, in proximity of plumbing, or out of doors.



Extension Cords

1. The air compressor should be located where it can be directly plugged into an outlet. An extension cord should not be used with this unit.
2. To avoid loss of power and overheating, additional air hose must be used to reach work area instead of extension cords.

Thermal Overload Protector

⚠CAUTION:

This compressor is equipped with an automatic reset thermal overload protector which will shut off motor if it becomes overheated.

If thermal overload protector shuts motor OFF frequently look for the following causes.

1. Low voltage.
2. Wrong gauge wire.
3. Clogged air filter.

4. Lack of proper ventilation.
 5. Unit is being used with an extension cord.
- See Troubleshooting Chart for corrective action.

⚠CAUTION:

The motor must be allowed to cool down before start-up is possible. The motor will automatically restart without warning if left plugged into electrical outlet, and the motor is turned on.

Glossary of Terms

ASME Safety Valve

A safety valve that automatically releases the air if the air receiver (tank) pressure exceeds the preset maximum.

PSI (Pounds per Square Inch)

Measurement of the pressure exerted by the force of the air. The actual psi output is measured by a pressure gauge on the compressor

SCFM (Standard Cubic Feet per Minute)

Sometimes called CFM (Cubic Feet per Minute). Measurement of air volume delivered by the compressor.

Air Delivery

A combination of psi and SCFM. The air delivery required by a tool is stated as (number) SCFM at (number) psi. The combination of these figures determines what size unit is needed.

Air Tank Capacity

The volume of air stored in the tank and available for immediate use. A large tank

allows the intermittent use of an air tool with an air requirement higher than the compressor's rated delivery.

Volts or Voltage

A measurement of the force of an electrical current.

Amps or Amperage

A measure of the electrical force minus the resistance on an electrical line. Ridgid air compressors require 15 amps for operation. Be sure the compressor will operate on an electrical line with the proper amps. If other appliances operate on the same line, they will reduce the available amps. If the amperage is not adequate, the result will be blown fuses or tripped circuits.

Regulator

A control that adjusts the line pressure to the proper amount needed to operate spray guns and air tools.

Tank Pressure Gauge

Indicates tank pressure in psi.

Glossary of Terms (Continued)

Line Pressure Gauge

Displays the current line pressure. It is regulated by the regulator knob.

Cut-in/Cut-off Pressure

Specific psi at which a compressor starts and stops while refilling the air tank.

Unpacking and Checking Contents

1. Remove the air compressor from the carton.
2. Place the compressor on a secure, stationary work surface and look it over carefully.

▲WARNING:

Do not operate unit if damaged during shipping, handling or use. Damage may result in bursting and cause injury or property damage.

▲WARNING:

For your own safety, never operate unit until all assembly steps are complete and until you have read and understood the entire operator's manual.

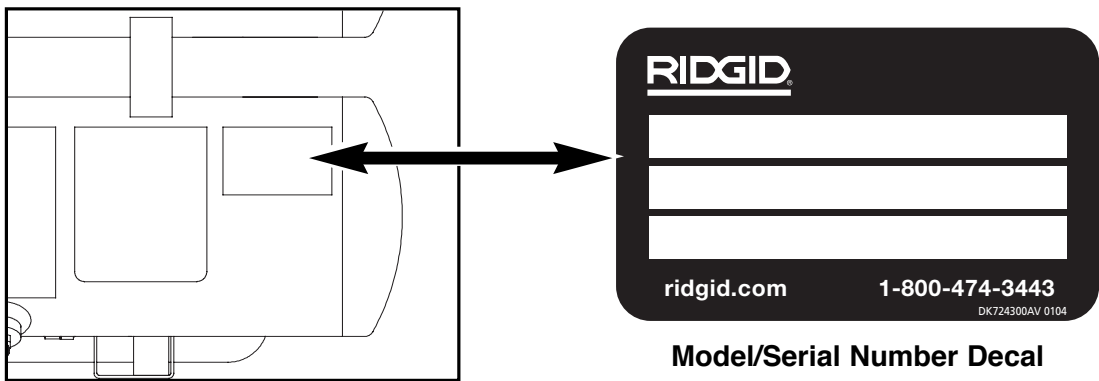
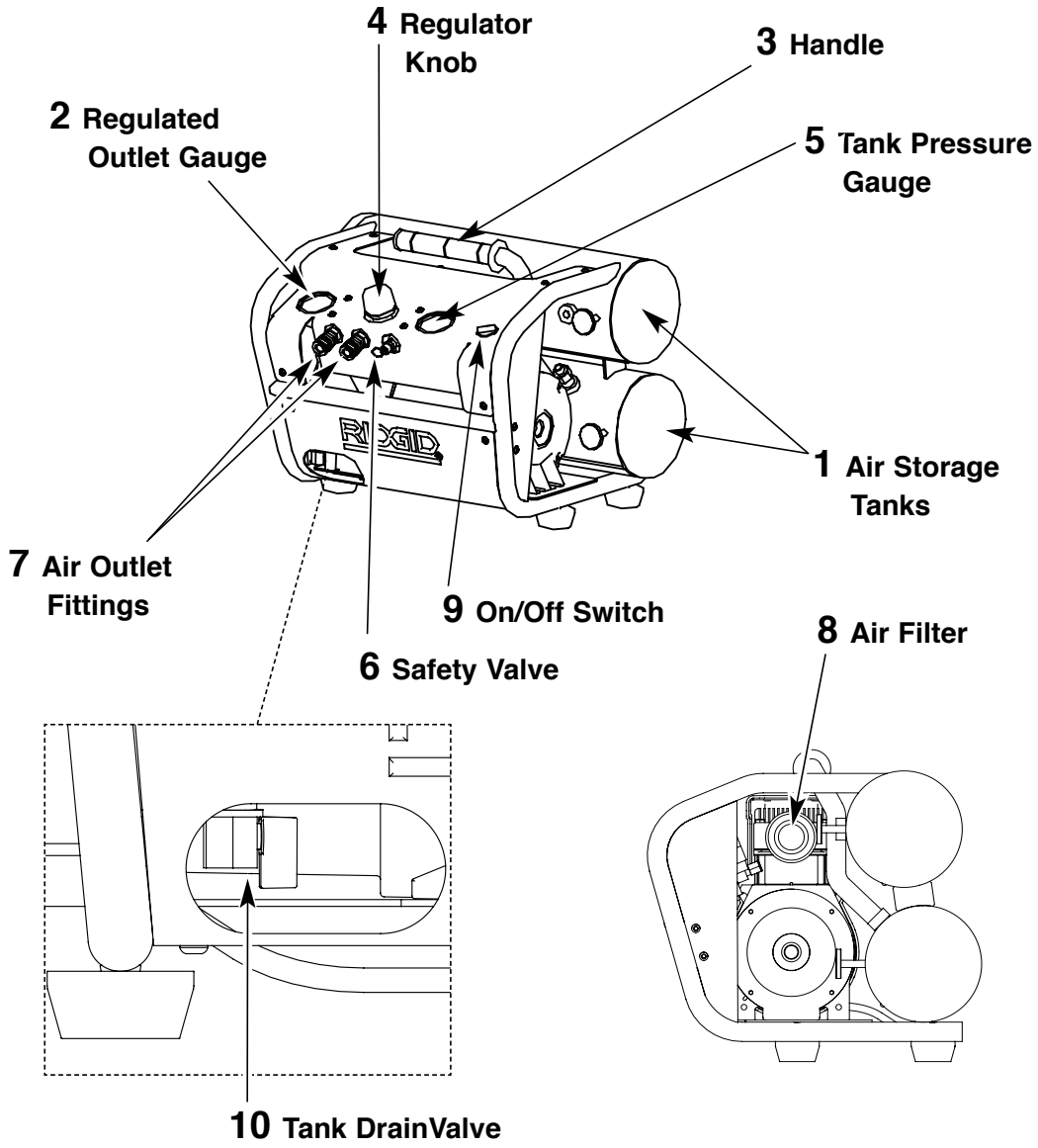
▲WARNING:

To reduce the risk of injury, if any parts are missing, do not attempt to operate the air compressor until the missing parts are obtained and installed correctly.

Installation

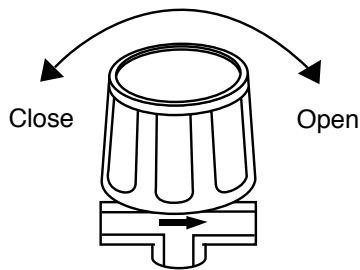
1. Check and tighten all bolts, fittings, etc., before operating compressor.
2. Operate compressor in a ventilated area so that compressor may be properly cooled.
3. Compressor should be located where it can be directly plugged into an outlet. An extension cord should not be used with this unit.
4. To avoid loss of power and overheating, additional air hose must be used to reach work area instead of extension cords.

Getting to Know Your Air Compressor



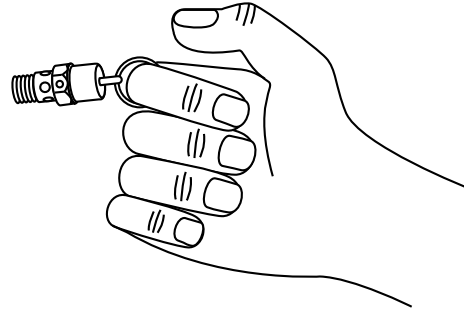
Getting to Know Your Air Compressor (Continued)

- 1. Air Storage Tanks.** The tanks store air for later use.
- 2. Regulated Outlet Gauge.** This gauge shows at-a-glance, air pressure at outlet. Air pressure is measured in pounds per square inch (PSI). Most tools have maximum pressure ratings. Never exceed the maximum pressure rating of the tool you are using. Be sure this gauge reads ZERO before changing air tools or disconnecting hose from outlet.
- 3. Handle.** Used to move the compressor.
- 4. Regulator Knob.** This knob controls air pressure to an air operated tool or paint spray gun. Turning the knob clockwise increases air pressure at the outlet. Turning counterclockwise will lower air pressure at the outlet. Fully counterclockwise will shut off the flow of air completely.



- 5. Tank Pressure Gauge.** Gauge shows pressure in air receiver indicating compressor is building pressure properly.

- 6. ASME Safety Valve.** This valve automatically releases air if the tank pressure exceeds the preset maximum.



- 7. Air Outlet Fittings.** These fittings are 1/4" universal-style quick connect fittings and allow rapid tool changes.
- 8. Air Filter.** The air filter keeps dirt and debris from entering the compressor pump and reduces compressor noise.
- 9. On/Off Switch.** This switch allows manual control of the compressor. Note that when the switch is turned on, the compressor will automatically start and stop depending on tank pressure.
- 10. Tank Drain Valve.** The tank drain valve allows moisture to be removed from the tank.

Operating Your Air Compressor

Moisture in Compressed Air

Moisture in compressed air will form into droplets as it comes from an air compressor pump. When humidity is high or when a compressor is in continuous use for an extended period of time, this moisture will collect in the tank. When using a paint spray or sandblast gun, this water will be carried from the tank through the hose, and out of the gun as droplets mixed with the spray material.

IMPORTANT: This condensation will cause water spots in a paint job, especially when spraying other than water based paints. If sandblasting, it will cause the sand to cake and clog the gun, rendering it ineffective.

A filter in the air line, located as near to the gun as possible, will help eliminate this moisture.

Operating Your Air Compressor

Make sure the tank drain valve is closed, the regulator knob is turned fully counter-clockwise, and the On/Off switch is in the OFF position.

Plug compressor into a dedicated 15 Amp (minimum) circuit.

Turn On/Off switch to the ON position. The compressor will now start building pressure.

After compressor reaches cut-off pressure, install a hose (with the desired air tool attached) into the outlet fitting.

Adjust the regulator knob to the desired pressure.

▲WARNING:

Do not over-pressurize any air tool. Consult air tool instructions for proper air tool pressure.

The compressor is now ready to operate.

For Trouble-Free Operation

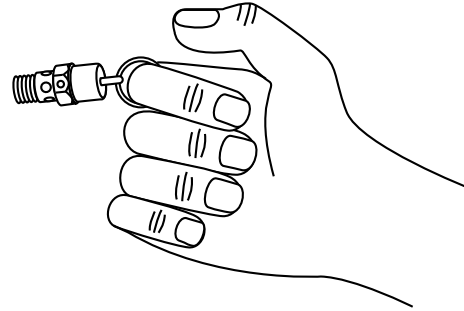
1. Read instructions: Carefully read through this operator's manual **BEFORE OPERATING** the new air compressor. It contains information about operation and maintenance of the unit.
2. Drain tank daily: Depressurize system prior to draining tank. Open tank drain valve and drain moisture from tank. This helps prevent tank corrosion and keeps oil and moisture out of the compressed air system. Be sure to close tank drain valve tightly before operating compressor.
3. Change air filter: Never run compressor without an air filter nor with a clogged air filter. Replace with a new filter when the element is dirty.

Maintenance

⚠WARNING:

Release all pressure and disconnect power before making any repair.

1. Check compressor for any visible problems, especially check air filter to be sure it is clean.
2. Pull ring on safety valve and allow it to snap back to normal position.



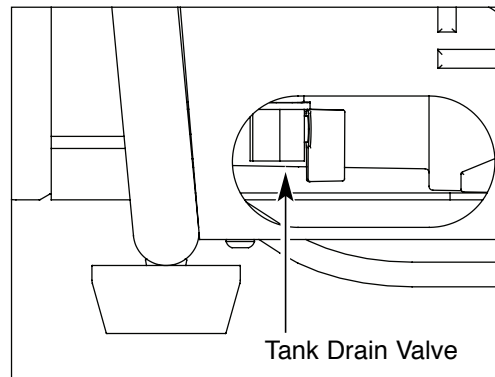
⚠WARNING:

Safety valve must be replaced if it cannot be actuated or it leaks air after ring is released.

3. Drain moisture from tank daily. Shut compressor off. Depressurize system prior to draining tank. Drain moisture from tank by opening the tank drain valve underneath the tank.
4. Turn power OFF and clean dust and dirt from motor, tank, air lines and pump cooling fins.

NOTE: The air filter in the filter housing on the side of the head must be checked and cleaned periodically, more often if used under very dusty conditions or when a great deal of fog from spraying is allowed to circulate near unit.

IMPORTANT: Unit should be located as far from spraying area as hose will allow to prevent over-spray from clogging filter.



Tank

⚠ DANGER:

Never attempt to repair or modify a tank! Welding, drilling or any other modification will weaken the tank resulting in damage from rupture or explosion. Always replace worn, cracked or damaged tanks.

NOTICE:

Drain liquid from tank daily.

The tank should be carefully inspected at a minimum of once a year. Look for cracks forming near the welds. If a crack is detected, remove pressure from tank immediately and replace.

Filter Removal, Inspection and Replacement

To change a filter, pull off the filter housing cover. If filter element is dirty, replace element or entire filter.

Lubrication

This is an oilless type compressor requiring no lubrication.

Storage

1. When not in use, compressor should be stored in a cool dry place.
2. Tank should be drained of moisture.
3. Hose should be disconnected and hung open ends down to allow any moisture to drain.

Maintenance Schedule

Operation	Daily	Weekly
Drain Tank	●	
Check Air Filter		●
Check Safety Valve		●
Blow Dirt From Inside Motor		●

Troubleshooting

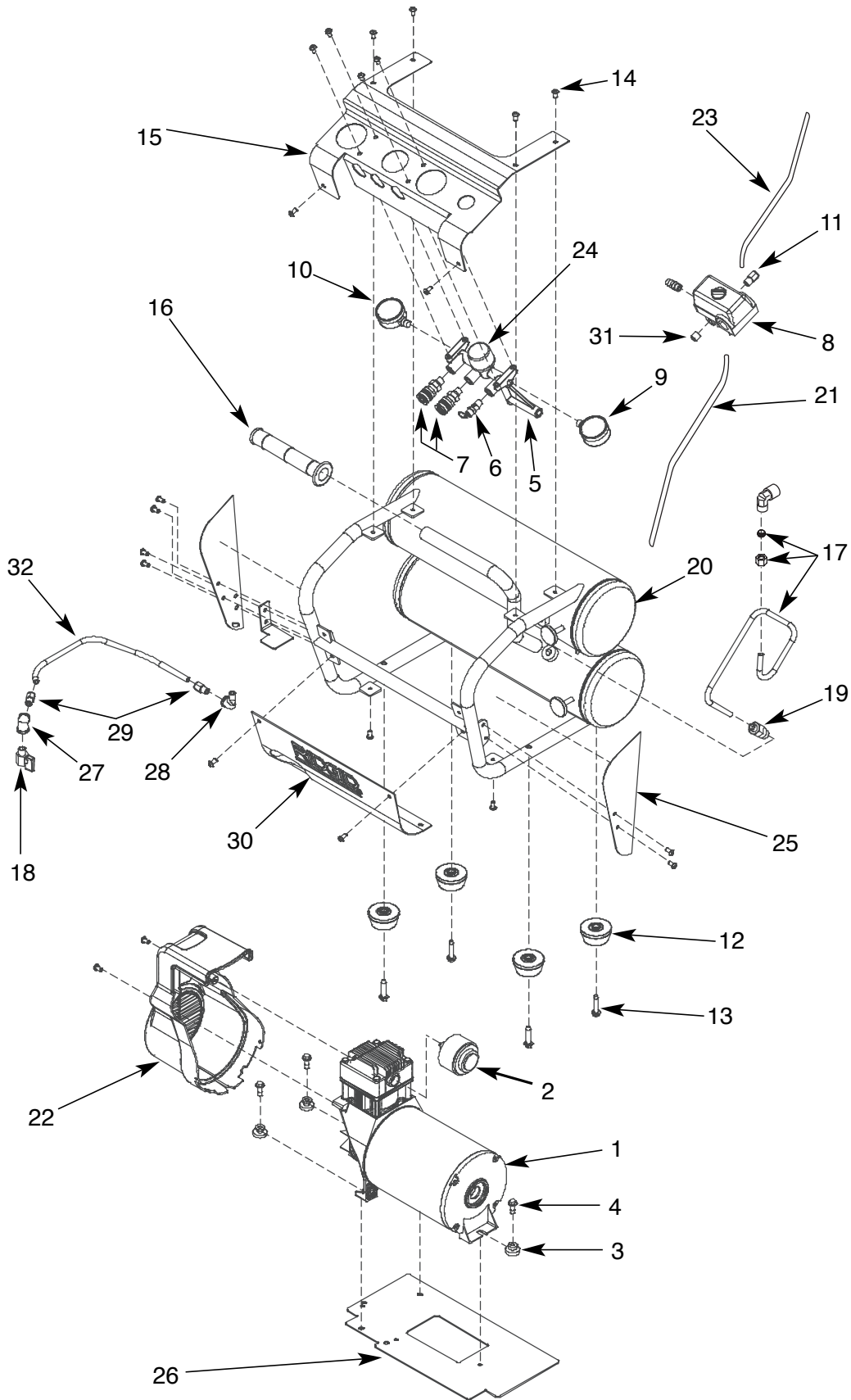
⚠WARNING:

For your own safety do not try and run the air compressor while troubleshooting.

TROUBLE	PROBABLE CAUSE	REMEDY
Compressor will not run	<ol style="list-style-type: none"> 1. Unit is plugged into extension cord 2. No electrical power 3. Blown fuse 4. Breaker open 5. Thermal overload open 6. Pressure switch bad 	<ol style="list-style-type: none"> 1. Remove extension cord 2. Plugged in? Check fuse/breaker or motor overload 3. Replace blown fuse 4. Reset, determining why problem happened 5. Motor will restart when cool 6. Replace
Motor hums but cannot run or runs slowly	<ol style="list-style-type: none"> 1. Low voltage 2. Unit is plugged into extension cord 3. Shorted or open motor winding 4. Defective check valve or unloader 	<ol style="list-style-type: none"> 1. Check with voltmeter 2. Remove extension cord 3. Replace motor 4. Replace or repair
Fuses blow/circuit breaker trips repeatedly	<ol style="list-style-type: none"> 1. Incorrect size fuse, circuit overloaded 2. Unit is plugged into extension cord 3. Defective check valve or unloader 	<ol style="list-style-type: none"> 1. Check for proper fuse, use time-delay fuse. Disconnect other electrical appliances from circuit or operate compressor on its own branch circuit 2. Remove extension cord 3. Replace or repair

TROUBLE	PROBABLE CAUSE	REMEDY
Thermal overload protector cuts out repeatedly	<ol style="list-style-type: none"> 1. Low voltage 2. Clogged air filter 3. Lack of proper ventilation/room temperature too high 4. Unit is plugged into extension cord 	<ol style="list-style-type: none"> 1. Check with voltmeter 2. Clean filter (see Maintenance section) 3. Move compressor to well ventilated area 4. Remove extension cord
Air tank pressure drops when compressor shuts off	<ol style="list-style-type: none"> 1. Loose connections (fittings, tubing, etc.) 2. Loose drain lock 3. Check valve leaking 	<ol style="list-style-type: none"> 1. Check all connections with soap and water solution and tighten 2. Tighten 3. Disassemble check valve assembly, clean or replace <p>⚠ DANGER: Do not disassemble check valve with air in tank; bleed tank</p>
Excessive moisture in discharge air	<ol style="list-style-type: none"> 1. Excessive water in air tank 2. High humidity 	<ol style="list-style-type: none"> 1. Drain tank 2. Move to area of less humidity; use air line filter
Compressor runs continuously	<ol style="list-style-type: none"> 1. Defective pressure switch 2. Excessive air usage 	<ol style="list-style-type: none"> 1. Replace switch 2. Decrease air usage; compressor not large enough for a requirement
Compressor vibrates	Loose mounting bolts	Tighten
Air output lower than normal	<ol style="list-style-type: none"> 1. Broken inlet valves 2. Intake filter dirty 3. Connections leaking 	<ol style="list-style-type: none"> 1. Have authorized service representative repair unit 2. Clean or replace intake filter 3. Tighten connections

Repair Parts



Repair Parts

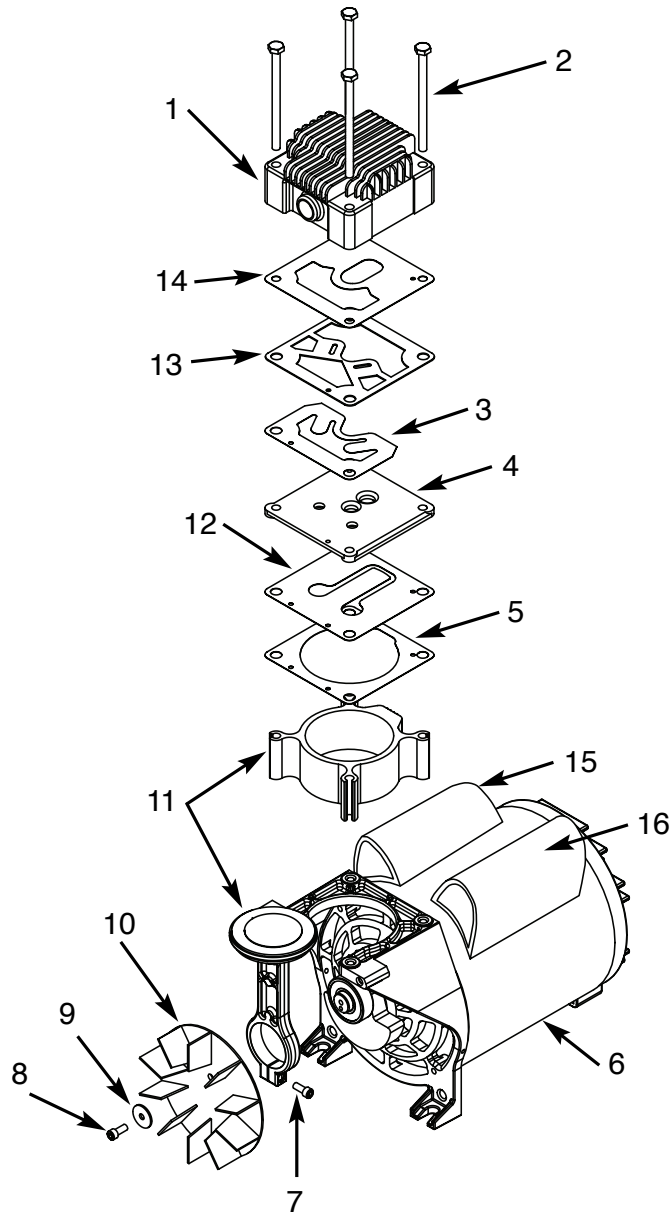
For Repair Parts, Call 1-800-4-RIDGID

Please provide following information:

- Model number
- Serial number (if any)
- Part description and number as shown in parts list

Ref. No.	Catalog Number	Part Number	Descriptions	Qty
1	25673	WL373001AV	* Pump/motor assembly	1
2	20448	ST085700AV	Filter	1
3	17723	WL003203AV	Isolation mount	3
4	17713	ST158000AV	Shoulder bolt	3
5	30538	WL038500AV	Manifold (Includes items 6, 7, 9, and 10)	1
6	30543	V-215200AV	Safety valve- 200 psi	1
7	17873	HF203300AV	* Coupler	2
8	30548	CW214300AV	Pressure switch	1
9	30553	GA032401AV	* Tank pressure gauge	1
10	30558	GA032400AV	* Outlet pressure gauge	1
11	17893	ST119305AV	Tube fitting	1
12	17853	ST158300AV	Molded rubber bumper	4
13	18038	ST116400AV	Hex. head bolt	4
14	17783	ST071626AV	Button head torx screw	20
15	30563	WL038300AV	Bracket	1
16	30568	ST195300AV	* Grip	1
17	30573	WL212300AV	Discharge tube (includes nut and ferrule)	1
18	20358	ST085800AV	Drain valve	1
19	17728	CV223800AV	Check valve	1
20	30578	AR061100AV	Twin tank assembly	1
21	30583	ST188800AV	Unloader tube (includes tube insert, nut and ferrule)	1
22	30588	WL038800AV	Shroud	1
23	25003	ST170800AV	Manifold tube(includes tube insert, nut and ferrule)	1
24	—	WL036200AV	Regulator	1
25	—	N/A	Side plates	2
26	30593	WL038200AV	Drain valve bracket	1
27	—	N/A	Pipe elbow 1/4 inch NPT	1
28	—	N/A	Street elbow 1/4 inch NPT	1
29	—	N/A	1/4 inch Compression fitting	2
30	30598	WL038700AV	Front cover	1
31	17888	ST022500AV	Plug 1/4 inch	2
32	30603	ST170900AV	Drain tube (includes tube insert, nut and ferrule)	1
* Considered wear items				
N/A = Standard Hardware Item or Not Available				

Repair Parts



Repair Parts

For Repair Parts, Call 1-800-4-RIDGID

Please provide following information:

-Model number

-Serial number (if any)

-Part description and number as shown in parts list

Ref. No.	Catalog Number	Part Number	Descriptons	Qty
1	17948	WL010500AV	Head	1
2	—	●	Head bolts	4
3	—	▲	* Exhaust valve	1
4	—	▲	Valve plate	1
5	17958	▲, XA012100AV	* Cylinder gasket	1
6	17963	N/A	* Motor assembly (includes eccentric/bearing assembly) To order see pump/motor assembly (part #1) on p. 19	1
7	—	(Included with piston assembly, Ref. No. 11)	M5 x .8 x 20 HH cap screw	1
8	—	■	M5 x .8 x 12 HHCS (L.H.) screw	1
9	—	■	Washer	1
10	—	■	Fan	1
11	17968	WL210300SJ	* Piston assembly (includes cap screw)	1
12	—	▲	* Intake valve	1
13	17973	▲, XA010800AV	* Head gasket (metal gasket)	1
14	17978	▲, XA012001AV	* Discharge valve gasket	1
15		MC507017AV	Start Capacitor (280-520 μF/250 VAC)	1
16		MC506908AV	Run Capacitor (40 μF/450 VAC)	1
REPAIR PARTS KITS				
●	17953	WL602801AJ	Head bolt kit (set of 4)	1
▲	17983	WL201405SJ	Valve plate kit (Includes exhaust valve, valve plate, cylinder gasket, intake valve, head gasket, and discharge valve gasket)	1
■	17988	WL209802SJ	Fan kit (includes screw, washer and fan)	1

* Considered wear components

N/A = Standard Hardware Item

Notes

Notes



Catalog No. OF45175A
 Model No. OF45175A
 Serial No. _____
 The model and serial numbers may be found on your unit. You should record both model and serial number in a safe place for future use.

RIDGID™ AIR COMPRESSOR LIMITED THREE YEAR WARRANTY

This product is manufactured by Campbell Hausfeld. The trademark is licensed from Ridgid, Inc. All warranty communications should be directed to RIDGID air compressor technical service at (toll free) 1-800-4-RIDGID.

WHAT IS COVERED UNDER THE LIMITED THREE YEAR WARRANTY

This warranty covers all defects in workmanship or materials in this RIDGID air compressor for the three-year period from the date of purchase. This warranty is specific to this air compressor. Warranties for other RIDGID products may vary.

HOW TO OBTAIN SERVICE

To obtain service for this RIDGID air compressor you must return it, freight prepaid, to a service center authorized to repair RIDGID air compressors. You may obtain the location of the service center nearest you by calling (toll free) 1-800-4-RIDGID or by logging on to the RIDGID website at www.ridgid.com. When requesting warranty service, you must present the proof of purchase documentation, which includes a date of purchase. The authorized service center will repair any faulty workmanship, and either repair or replace any defective part, at Campbell Hausfeld’s option at no charge to you.

WHAT IS NOT COVERED

This warranty applies only to the original purchaser at retail and may not be transferred. This warranty does not cover normal wear and tear components (see repair parts) or any malfunction, failure or defect resulting from misuse, abuse, neglect, alteration, modification or repair by other than a service center authorized to repair RIDGID branded air compressors. Expendable materials, such as oil, filters, etc. are not covered by this warranty. Gasoline engines and components are expressly excluded from coverage and you must comply with the warranty given by the engine manufacturer, which is supplied with the product. **CAMPBELL HAUSFELD MAKES NO WARRANTIES, REPRESENTATIONS OR PROMISES AS TO THE QUALITY OR PERFORMANCE OF ITS AIR COMPRESSORS OTHER THAN THOSE SPECIFICALLY STATED IN THIS WARRANTY. RIDGID, INC. MAKES NO WARRANTIES OR REPRESENTATIONS, EXPRESS OR IMPLIED, INCLUDING AS NOTED BELOW.**

ADDITIONAL LIMITATIONS

To the extent permitted by applicable law, all implied warranties, including warranties of MERCHANTABILITY or FITNESS FOR A PARTICULAR PURPOSE, are disclaimed. Any implied warranties, including warranties of merchantability or fitness for a particular purpose, that cannot be disclaimed under state law are limited to three years from the date of purchase. Campbell Hausfeld is not responsible for direct, indirect, incidental, special or consequential damages. Some states do not allow limitations on how long an implied warranty lasts and/or do not allow the exclusion or limitation of incidental or consequential damages, so the above limitations may not apply to you. This warranty gives you specific legal rights, and you may also have other rights, which vary from state to state.

QUESTIONS OR COMMENTS

CALL 1-800-4-RIDGID

www.ridgid.com

Please have your Model Number and Serial Number on hand when calling.

RIGID®

OF45175A MANUAL DEL OPERADOR



COMPRESOR DE AIRE PORTÁTIL CON TANQUES GEMELOS

⚠ ADVERTENCIA:

Para reducir el riesgo de lesiones, el usuario debe leer y comprender el Manual del Operador antes de usar este producto.

IN624800AV 1/08

Índice

Sección	Página	Sección	Página
Índice	Sp 2	Funcionamiento del compresor de aire	Sp 14
Instrucciones de seguridad	Sp 3	Humedad en el Aire	
Palabras de señal de seguridad	Sp 3	Comprimido	Sp 14
Antes de usar el compresor de aire	Sp 3	Funcionamiento del compresor de aire	Sp 14
Precauciones Para Rociar	Sp 5	Para Evitar Problemas	Sp 14
Advertencia Sobre el Aire Respirable	Sp 5	Mantenimiento	Sp 15
Etiquetas de advertencia	Sp 6	Tanque	Sp 16
Especificaciones del motor y requisitos eléctricos	Sp 7	Para Desmontar, Chequear y Reemplazar el Filtro	Sp 16
Especificaciones del suministro de energía y del motor	Sp 7	Lubricación	Sp 16
Conexiones eléctricas generales	Sp 7	Almacenamiento	Sp 16
Información de la herramienta de 110-120 V, 60 Hz	Sp 8	Planificación del mantenimiento	Sp 16
Cordones de extensión	Sp 9	Diagnóstico de problemas	Sp 17
Protector Térmico	Sp 9	Notas	Sp 19
Glosario	Sp 10	Piezas de repuesto	Sp 20
Desempaque y verificación del contenido	Sp 11	Garantía	Sp 24
Instalación	Sp 11		
Conozca su compresor de aire	Sp 12		

Instrucciones de seguridad

Este manual contiene información que es muy importante que sepa y comprenda. Esta información se la suministramos como medida de SEGURIDAD y para EVITAR PROBLEMAS CON EL EQUIPO. Debe reconocer los siguientes símbolos.

Palabras de señal de seguridad

▲ PELIGRO:

Ésto le indica que hay una situación inmediata que, si no se evita, LE OCASIONARIA la muerte o heridas de gravedad.

▲ ADVERTENCIA:

Ésto le indica que hay una situación que, si no se evita, PODRIA ocasionarle la muerte o heridas de gravedad.

▲ PRECAUCION:

Ésto le indica que hay una situación que, si no se evita, PODRIA ocasionarle heridas no muy graves.

AVISO:

Ésto le indica una información importante, que de no seguirla, le podría ocasionar daños al equipo.

Antes de usar el compresor de aire

Los compresores de aire se utilizan en una variedad de aplicaciones. Como el compresor de aire y otros componentes usados (bomba de material, pistolas pulverizadoras, filtros, lubricadores, mangueras, etc.) integran un sistema de alta presión, en todo momento deberá seguir las siguientes medidas de seguridad. Sólo las personas que conocen muy bien las reglas de seguridad para el funcionamiento deben estar autorizadas a usar el compresor de aire.

▲ ADVERTENCIA:

Todos los trabajos de electricidad los debe hacer un electricista calificado (con licencia o certificación). En los circuitos conectados adecuadamente los cables negros podrían suministrar tensión inclusive cuando la unidad esté desconectada.

1. Lea con cuidado todos los manuales incluidos con este producto antes de tratar de ensamblar, desmantelar o utilizar el sistema.
2. Use gafas de seguridad (aprobadas por ANSI Z87.1 o en Canadá CSA Z94.3-99) y protecciones para los oídos cuando opera la bomba o la unidad. Las gafas diarias no son gafas de seguridad.
3. No exceda la presión máxima de ninguno de los componentes del sistema.
4. Proteja las líneas de material y de aire contra daños y roturas. Mantenga las mangueras y cordones alejados de objetos afilados, derrames químicos, solventes de aceite y pisos húmedos.
5. Nunca apunte la pistola pulverizadora hacia nadie. Una descarga accidental puede ocasionarle heridas de gravedad.
6. Antes de cada uso, revise las mangueras para ver si están deterioradas o hay fugas. Antes de usarlo cerciórese de que las conexiones estén bien apretadas y no lo use si encuentra irregularidades. Notifíquelo a un centro de servicio autorizado para que lo chequeen o reparen.
7. Libere el aire lentamente; de lo contrario éste podría levantar polvo y despredicios que podrían ocasionarle daños.

Instrucciones de seguridad (continuación) ---

⚠ ADVERTENCIA:

¡Desconecte la unidad y libere la presión del sistema antes de darle servicio al compresor! (Gire la perilla del regulador completamente en el mismo sentido de las agujas del reloj después de apagar el compresor).

8. Siga todos los códigos de electricidad y seguridad locales y nacionales al igual que las medidas de seguridad laboral.
9. Las conexiones eléctricas y fusibles deben estar conectadas a tierra adecuadamente, seguir los códigos locales de electricidad y no sobrepasar las capacidades.
10. Los motores eléctricos deben asegurarse bien y estar conectados a tierra adecuadamente. Vea las instrucciones para conectar a tierra y la información sobre cordones de extensión en este manual.
11. Siempre desconecte la unidad antes de hacer trabajos en el motor o áreas cercanas. Si el interruptor se encuentra fuera de su alcance, bloquéelo y póngale una etiqueta para que no se encienda accidentalmente.
12. Proteja todas las piezas en movimiento y mantenga a los visitantes alejados. Nunca permita la presencia de niños en el área de trabajo.
13. Sólo use tomacorrientes adecuados que estén conectados a tierra y use zapatos aislantes para evitar electrocutamiento.
14. Tenga cuidado al tocar la parte externa del motor encendido; éste podría estar muy caliente y ocasionarle heridas.
15. Evite que el cordón eléctrico tenga contacto con objetos afilados.
16. Limpie los equipos eléctricos o electrónicos con agentes aprobados tales como solventes secos no inflamables.
17. Para evitar la combustión espontánea tire los trapos que usó para limpiar en envases de metal aprobados para este tipo de desperdicios.
18. Nunca almacene líquidos inflamables o gases cerca del compresor.
19. Al rociar solventes de químicos tóxicos siga las instrucciones del fabricante de dichos químicos.
20. Rocíe en áreas bien ventiladas para evitar la acumulación de humos nocivos a la salud y evitar peligro de incendio.
21. No rocíe cerca de llamas al descubierto o en otros sitios donde chispas puedan ocasionar incendios. No fume al rociar pinturas, insecticidas u otras sustancias inflamables.
22. Use un respirador para rociar.
23. NUNCA modifique la válvula de seguridad o el presostato. Evite la acumulación de pintura u otras sustancias en la válvula de seguridad. Ésto evita el peligro de exceso de presión.
24. Siempre debe darle el mantenimiento necesario; mantenga todas las tuercas, pernos y tornillos bien apretados para cerciorarse de que el equipo esté en buenas condiciones de funcionamiento.
25. Mantenga los trapos para limpiar y otros desperdicios inflamables en envases de metal cerrados herméticamente y posteriormente tire la basura adecuadamente.
26. Drene el tanque diariamente. Si no piensa usar el compresor por un tiempo, es preferible que deje la llave

de salida abierta hasta que lo vaya a usar una vez más. Ésto permitirá que el tanque se drene completamente y ayudará a evitar que se oxide por dentro.

27. Anualmente inspeccione el tanque para ver si está oxidado o tiene agujeros u otros defectos que podrían hacerlo inseguro. NUNCA solde o le abra agujeros al tanque.

Precauciones Para Rociar

⚠ ADVERTENCIA:



Nunca rocíe materiales inflamables cerca de llamas al descubierto o fuentes de ignición, incluyendo el compresor.

1. No fume mientras esté rociando pintura, insecticidas u otras sustancias inflamables.
2. Use una máscara/respirador cuando vaya a rociar y siempre rocíe en un área bien ventilada,



3. Nunca rocíe la pintura y otros materiales, directamente hacia el compresor. Coloque el compresor lo más lejos posible del área de trabajo, para minimizar la acumulación de residuos en el compresor.
4. Al rociar o limpiar con solventes o químicos tóxicos, siga las instrucciones del fabricante de dichos químicos.

⚠ PELIGRO:

Advertencia Sobre el Aire Respirable

Este compresor/cabezal no viene listo de fábrica para suministrarle aire respirable. Antes de utilizarlos con este fin deberá instalarle un sistema de seguridad y alarma incorporado a la línea. Este sistema adicional es necesario para filtrar y purificar el aire adecuadamente para cumplir con las especificaciones mínimas sobre aire respirable de Grado D descritas en la Especificación de Productos G 7.1 - 1966 de la Asociación de Aire Comprimido. Igualmente, deberá cumplir los requisitos establecidos por el Artículo 29 CFR 1910. 134 de la Organización norteamericana OSHA y/o la Canadian Standards Associations (CSA).

RENUNCIA A LAS GARANTIAS

Si el compresor se utiliza para producir aire respirable SIN haberle instalado el sistema de seguridad y alarma, todas la garantías se anularán y la compañía Campbell Hausfeld no asumirá NINGUNA responsabilidad por pérdidas, heridas personales o daños.

Instrucciones de seguridad (continuación)

⚠ **ADVERTENCIA:**

Proposición de California 65

Este producto, o su cordón eléctrico, contiene productos químicos conocidos por el estado de California como causantes de cáncer y defectos de nacimiento u otros daños reproductivos. Lave sus manos minuciosamente después de usar.

Etiquetas de advertencia

Busque y lea todas las etiquetas de advertencia que se muestran a continuación y que se encuentran en el compresor de aire

⚠ WARNING

DRAIN TANK EVERY DAY TO PREVENT CORROSION AND POSSIBLE INJURY DUE TO TANK DAMAGE.

⚠ AVERTISSEMENT

PURGER LE RESERVOIR QUOTIDIENNEMENT AFIN D'ÉVITER LA CORROSION ET LE RISQUE DE BLESSURES CAUSÉ PAR LE DOMMAGE AU RESERVOIR

⚠ ADVERTENCIA






DRENE EL TANQUE DIARIAMENTE PARA EVITAR QUE SE OXIDE Y EL RIESGO DE HARIDAS DEBIDO A UN TANQUE DANADO.



**EASY DRAIN VALVE
LOCATED ON OPPOSITE SIDE
SOUPAPE DE PURGE FACILE
AU COTE OPPOSE
VÁLVULA PARA FÁCIL DRENAJE
UBICADA EN EL LADO OPUESTO**

**TO OPEN
POUR OUVRIR
PARA ABIR**

DK864800AV 1207

⚠ WARNING	⚠ AVERTISSEMENT	⚠ ADVERTENCIA
<p> • READ INSTRUCTION MANUAL BEFORE OPERATING.</p>	<p>• LIRE LE MANUEL D'UTILISATION AVANT DE FAIRE FONCTIONNER LE MODÈLE.</p>	<p>• LEA EL MANUAL DE INSTRUCCIONES ANTE DE OPERAR.</p>
<p> • RISK OF FIRE OR EXPLOSION - DO NOT SPRAY COMBUSTIBLE/FLAMMABLE LIQUID IN A CONFINED AREA. SPRAY AREA MUST BE WELL VENTILATED. DO NOT SMOKE WHILE SPRAYING OR SPRAY WHERE SPARK OR FLAME IS PRESENT. ARCING PARTS - KEEP COMPRESSOR AT LEAST 20 FEET AWAY FROM SPRAYING AREA AND ALL EXPLOSIVE VAPORS.</p>	<p>• RISQUE D'INCENDIE OU D'EXPLOSION - NE PAS PULVÉRISER LES LIQUIDES COMBUSTIBLES/INFLAMMABLES DANS UN ENDRIT CLOS. L'ENDROIT DE PULVÉRISATION DOIT ÊTRE BIEN VENTILÉ. NE PAS FUMER PENDANT LA PULVÉRISATION NI PULVÉRISER DANS L'ENDROIT D'UNE FLAMME OU D'UNE ÉTINCELLE. PIÈCES QUI PROJettent DES ÉTINCELLES - GARDER LE COMPRESSEUR AU MOINS 6,1 M DE L'ENDROIT DE PULVÉRISATION ET DE TOUTES VAPEURS EXPLOSIVES.</p>	<p>• RIESGO DE INCENDIO O EXPLOSIÓN - NO ROCÍE LÍQUIDOS COMBUSTIBLES/INFLAMMABLES EN UN ÁREA ENCERRADA. EL ÁREA DE TRABAJO DEBE ESTAR BIEN VENTILADA. NO FUME MIENTRAS ESTÉ ROCIANDO NI ROCÍE CERCA DE CHISPAS O LLAMAS. PIEZAS QUE PRODUCEN ARCOS ELÉCTRICOS-MANTENGA EL COMPRESOR AL MENOS A 6,1 M DE DISTANCIA DEL ÁREA DONDE ESTÉ ROCIANDO O DE DONDE HAYA CUALQUIER TIPO DE VAPORES EXPLOSIVOS.</p>
<p> • RISK OF INJURY - DO NOT DIRECT AIR STREAM AT BODY. USE EYE PROTECTION. COMPRESSOR STARTS AUTOMATICALLY. MOVING PARTS. DO NOT TOUCH. KEEP GUARDS IN PLACE. COMPRESSOR DOES NOT SUPPLY BREATHABLE AIR.</p>	<p>• RISQUE DE BLESSURE - NE PAS DIRIGER LE JET D'AIR VERS VOTRE CORPS. UTILISER LA PROTECTION OCULAIRE. LE COMPRESSEUR SE DÉMARRE AUTOMATIQUÉMENT. PIÈCES MOBILES N'Y TOUCHEZ PAS. GARDER LES APPAREILS "PROTECTEURS" EN PLACE. LE COMPRESSEUR NE FOURNIT PAS DE L'AIR RESPIRABLE.</p>	<p>• RIESGO DE HERIDAS - NO DIRIJA EL FLUJO DE AIRE DIRECTAMENTE AL CUERPO. PROTEJASE LA VISTA. EL COMPRESOR SE ENCIENDE AUTOMÁTICAMENTE. PIEZAS QUE SE MUEVEN. NO LAS TOQUE. MANTÉNGALAS PROTEGIDAS. EL COMPRESOR NO LE SUMINISTRA AIRE RESPIRABLE.</p>
<p> • RISK OF BURSTING - DO NOT ADJUST REGULATOR TO RESULT IN OUTPUT PRESSURE GREATER THAN MARKED MAXIMUM PRESSURE OF ATTACHMENT. IF A REGULATOR HAS NOT BEEN INSTALLED, USE ONLY ATTACHMENT RATED AT 200 PSI OR HIGHER. DO NOT WELD ON OR REPAIR TANK - REPLACE. DO NOT OPERATE WITHOUT PROPER ASME SAFETY VALVE IN PLACE.</p>	<p>• RISQUE D'ÉCLATEMENT - NE PAS AJUSTER LE RÉGULATEUR AFIN D'OBTENIR UNE PRESSION DE DÉCHARGE PLUS ÉLEVÉE QUE LA PRESSION MAXIMUM DE L'ACCESSOIRE. S'IL N'Y A PAS DE RÉGULATEUR, UTILISER SEULEMENT LES ACCESSOIRES QUI SONT CLASSIFIÉS À 1379 kPa OU PLUS. NE PAS SOUDER SUR/NI RÉPARER LE RÉSERVOIR - LE REMPLACER. NE PAS FAIRE FONCTIONNER SANS OUILE Y AIT UNE SOUPAPE DE SÛRETÉ ASME EN PLACE.</p>	<p>• RIESGO DE EXPLOSIÓN - NO AJUSTE EL REGULADOR PARA OBTENER UNA PRESIÓN DE SALIDA SUPERIOR A LA INDICADA COMO PRESIÓN MÁXIMA DEL ACCESORIO. SI NO HA INSTALADO UN REGULADOR, USE SOLO ACCESORIOS DISEÑADOS PARA PRESIONES DE 13,8 BAR O MÁS. NO SUELDE NI REPARE EL TANQUE - REEMPLÁCELO. NO LO OPERE SIN HABERLE INSTALADO UNA VÁLVULA DE SEGURIDAD ASME ADECUADA.</p>
<p> • RISK OF ELECTRICAL SHOCK - HAZARDOUS VOLTAGE. DISCONNECT FROM POWER SOURCE BEFORE SERVICING. COMPRESSOR MUST BE GROUNDED. DO NOT USE GROUNDING ADAPTORS. DO NOT EXPOSE TO RAIN. STORE INDOORS.</p>	<p>• RISQUE DE SECousse ÉLECTRIQUE - TENSION HASARDEUSE. DÉBRANCHER DE LA SOURCE DE PUISSANCE AVANT DE PROCÉDER À L'ENTRETIEN. LE COMPRESSEUR DOIT ÊTRE MIS À LA TERRE. NE PAS UTILISER DES ADAPTEURS DE MISE À LA TERRE. NE PAS EXPOSER À LA PLUIE. L'ENTREPOSER À L'INTÉRIEUR.</p>	<p>• RIESGO DE CHOQUE ELÉCTRICO - VOLTAGE PELIGROSO. DESCONÉCTELO DEL TOMACORRIENTES ANTES DE DARLE SERVICIO. EL COMPRESOR SE DEBE CONECTAR A TIERRA. NO USE ADAPTADORES PARA CONECTARLO A TIERRA. NO LO DEJE A LA INTemperIE. ALMACÉNELO BAJO TECHO.</p>
<p>IF CONNECTED TO A CIRCUIT PROTECTED BY FUSES, USE TIME-DELAY FUSE MARKED "D". COMPLIES WITH CCR462 (L)(2).</p>	<p>SI BRANCHÉ À UN CIRCUIT PROTÉGÉ PAR DES FUSIBLES, UTILISER UNE FUSIBLE À RETARDÉMENT MARQUÉE "D". SE CONFORME AU CCR462 (L)(2).</p>	<p>SI LO CONECTA A UN CIRCUITO PROTEGIDO CON FUSIBLES, USE FUSIBLES DE ACCIÓN RETARDADA TIPO "D". CUMPLE CON LAS ESPECIFICACIONES CCR462 (L)(2). <small>DK724100AV 1008</small></p>

Especificaciones del motor y requisitos eléctricos

Especificaciones del suministro de energía y del motor

⚠ ADVERTENCIA:

Para reducir los riesgos eléctricos, de incendio o daño a las herramientas, use la protección del circuito adecuada. El cableado de su herramienta se realiza en fábrica para que funcione con el voltaje que se muestra. Conecte la herramienta a una línea de energía con el voltaje apropiado y un circuito derivado de 15 amperios. Utilice un disyuntor o fusible de tiempo de retardo de 15 amperios. Para reducir el riesgo de choque eléctrico o incendio, si el cable de corriente está gastado o cortado, o dañado de cualquier modo, haga que lo reemplacen inmediatamente.

El motor de CA usado en este compresor es de arranque y arrastre con condensador, del tipo de inducción de un sentido, que tiene las siguientes especificaciones. El cableado se realizó en fábrica para funcionar con un servicio de 110-120 V CA, 60 Hz.

Voltaje	110-120
Amperios	14
Hertzios (ciclos)	60
Fase	Monofásico
RPM	3450

Conexiones eléctricas generales

⚠ ADVERTENCIA:

Para reducir el riesgo de electrocución:

1. Utilice solamente piezas de repuesto idénticas cuando se realiza el servicio. El servicio lo debe realizar un técnico calificado.
2. No utilice bajo la lluvia o donde el piso esté húmedo. Esta herramienta está diseñada para usarse en interiores residenciales solamente.

⚠ ADVERTENCIA:

No permite que los dedos toquen los bornes del enchufe cuando enchufa o retira el enchufe en el tomacorrientes.

Especificaciones del motor y requisitos eléctricos (continuación)

Información de la herramienta de 110-120 V, 60 Hz

El enchufe que se proporciona con la herramienta puede no calzar en el tomacorrientes que planea usar. El código eléctrico local puede requerir pequeños cambios en la conexión del cable de corriente. Si existen estas diferencias, refiérase a su código local y realice los cambios adecuados de acuerdo al mismo antes de enchufar y encender la herramienta.

En caso de que haya un funcionamiento defectuoso o una avería, la conexión a tierra proporciona la ruta de menor resistencia a la corriente eléctrica para reducir el riesgo de choques eléctricos. Esta herramienta está equipada con un cable de corriente que tiene un conductor de puesta a tierra del equipo y un enchufe con conexión a tierra, como se muestra. El enchufe debe estar enchufado a un tomacorrientes que coincida, que esté correctamente instalado y con conexión a tierra de acuerdo a todos los códigos y ordenanzas locales.

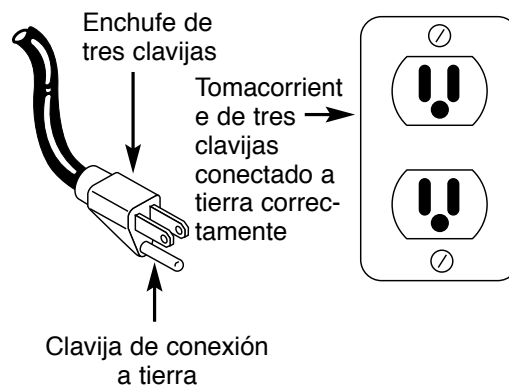
No modifique el enchufe que se proporciona. Si no calza en el tomacorrientes, haga que un electricista calificado instale el tomacorrientes adecuado.

La conexión incorrecta del conductor de descarga a tierra del equipo puede dar como resultado un riesgo de choque eléctrico. El conductor con aislante que tiene una superficie exterior de color verde con o sin bandas amarillas es el conductor de conexión a tierra del equipo. Si es necesario reparar o reemplazar el cable de corriente, no conecte el conductor de conexión a tierra del equipo a una terminal con corriente.

Verifique con una persona de servicio o electricista calificado si no comprende totalmente las instrucciones de conexión de descarga a tierra o si tiene alguna duda sobre si el equipo está conectado a tierra de forma adecuada.

⚠ ADVERTENCIA:

Si no tiene una conexión de descarga a tierra adecuada esta herramienta puede provocar un choque eléctrico, particularmente cuando se usa en lugares húmedos, próximo a tuberías de agua o en espacios exteriores.



Cordones de extensión

1. El compresor de aire debe ubicarse donde pueda enchufarse directamente a un tomacorrientes. No se deberá usar un cordón de extensión con esta unidad.
2. Para evitar la pérdida de energía o el sobrecalentamiento, se deberá usar una manguera de aire adicional que llegue al área de trabajo, en lugar de utilizar cordones de extensión.

Protector Termico

▲ PRECAUCION:

Esta compresora está equipada con un protector de sobrecarga térmica de reposición automática que apaga el motor si se recalienta.

Si el protector térmico apaga al compresor con mucha frecuencia puede ser por lo siguiente:

1. Voltaje bajo.
2. Cordón de extensión de calibre inadecuado.
3. El filtro de aire está atascado.

4. La ventilación es inadecuada.
5. La unidad se está usando con un cordón de extensión.

Consulte la tabla de diagnóstico de problemas para ver las acciones de corrección.

▲ PRECAUCION:

Para poder arrancar de nuevo el motor, se debe dejar enfriar. El motor se pondrá en marcha de nuevo, sin ninguna señal de aviso, si se deja conectado a un tomacorriente y si el motor ya está encendido.

Glosario

Válvula de seguridad ASME

Esta válvula libera automáticamente el exceso de aire cuando la presión ha alcanzado la presión máxima fijada.

PSI (libras por pulgada cuadrada)

Unidad de medida de la presión ejercida por la fuerza del aire. La salida real en psi se mide con un manómetro en el compresor

SCFM (pies cúbicos estándar por minuto)

A veces llamado CFM (pies cúbicos por minuto). Unidad de medida del volumen de aire entregado por el compresor.

Entrega de aire

Una combinación de psi y SCFM. La entrega de aire que necesita una herramienta está dada por (número) SCFM a (número) psi. La combinación de estas cifras determina el tamaño de unidad que se necesita.

Capacidad del tanque de aire

El volumen de aire almacenado en el tanque y disponible para su uso inmediato. Un tanque grande permite el uso intermitente de una herramienta neumática con un requisito de aire mayor que la entrega promedio del compresor.

Voltios o Voltaje

La medida de la fuerza de una corriente eléctrica.

Amperios o amperaje

Una medida de la fuerza eléctrica menos la resistencia en una línea eléctrica. Los compresores de aire rígidos necesitan 15 amperios para funcionar. Asegúrese que el compresor funcionará en una línea eléctrica con el amperaje correcto. Si tiene otros artefactos domésticos funcionando en la misma línea, éstos reducirán el amperaje disponible. Si el amperaje no es adecuado, el resultado serán fusibles quemados o que se corten los circuitos.

Regulador

Un control que ajusta la presión de la línea a la cantidad adecuada necesaria para hacer funcionar pistolas de rociado y herramientas neumáticas.

Manómetro del depósito

Indica la presión del tanque en psi.

Manómetro de línea

Muestra la presión actual de la línea. Se regula con la perilla reguladora.

Presión de conexión/desconexión

PSI específico al que un compresor se enciende o se detiene mientras se rellena el tanque de aire.

Desempaque y verificación del contenido

1. Retire el compresor de aire de la caja.
2. Coloque el compresor en una superficie de trabajo segura y fija, y examínelo cuidadosamente.

⚠ ADVERTENCIA:

No haga funcionar la unidad si se dañó durante el envío, el manejo o el uso. Los daños pueden provocar una explosión y causar lesiones o daño a la propiedad.

⚠ ADVERTENCIA:

Para su propia seguridad, nunca haga funcionar la unidad hasta que todos los pasos de ensamblaje estén completos y hasta que haya leído y entendido todo el manual del operador.

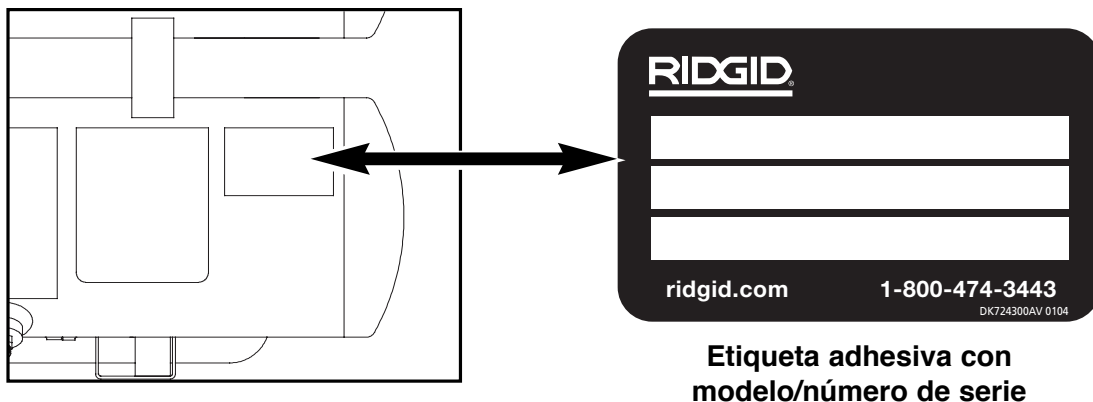
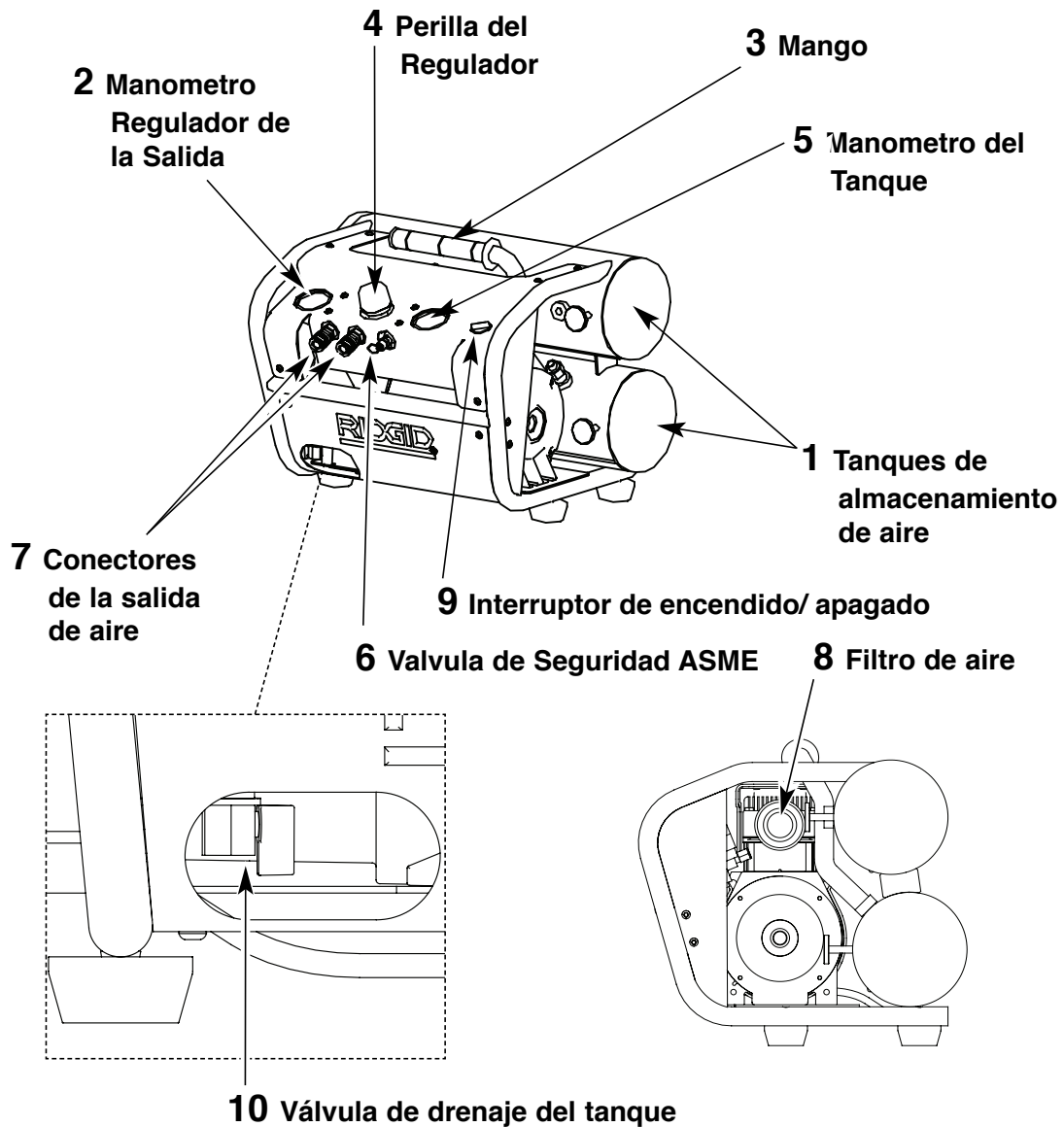
⚠ ADVERTENCIA:

Para reducir el riesgo de lesiones, si falta alguna pieza, no intente hacer funcionar el compresor de aire hasta obtener e instalar correctamente las piezas faltantes.

Instalación

1. Chequee y apriete todos los pernos, conexiones, etc., antes de utilizar el compresor.
2. Utilice el compresor en un área bien ventilada para que éste se pueda enfriar adecuadamente.
3. El compresor debe ubicarse donde pueda enchufarse directamente a un tomacorrientes. No se deberá usar un cordón de extensión con esta unidad.
4. Para evitar la pérdida de energía o el sobrecalentamiento, se deberá usar una manguera de aire adicional que llegue al área de trabajo, en lugar de utilizar cordones de extensión.

Conozca su compresor de aire

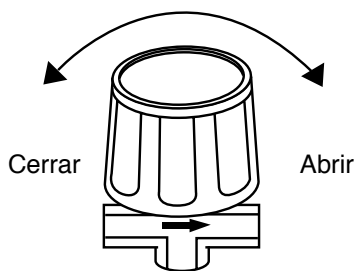


1. Tanques de almacenamiento de aire. Los tanques almacenan aire para usarlo más tarde.

2. Manómetro Regulador de la Salida. Este manómetro le permite verificar la presión de salida muy fácilmente. Dicha presión se mide en libras por pulgadas al cuadrado (PSI). La mayoría de las herramientas tienen una clasificación máxima de presión. Nunca exceda la clasificación máxima de presión de la herramienta que está usando. Cerciórese de que el manómetro esté en ZERO antes de cambiar de herramientas neumáticas o desconectar la manguera.

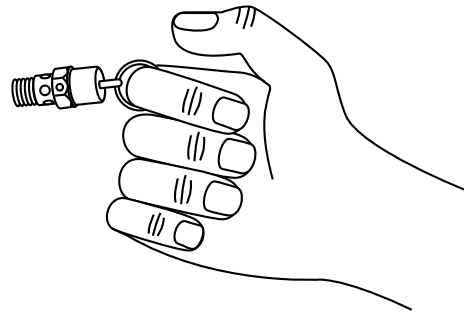
3. Mango. Se usan para mover el compresor.

4. Perilla del Regulador. Esta perilla controla la presión de aire hacia una herramienta neumática o una pistola pulverizadora de pintura. Al girar la perilla hacia la derecha aumenta la presión de aire en la salida. Al girar la perilla hacia la izquierda disminuye la presión de aire en la salida. Al poner la perilla totalmente hacia la izquierda se cerrará el flujo de aire por completo.



5. Manómetro del Tanque. Mide la presión del tanque para verificar que está funcionando adecuadamente.

6. Válvula de Seguridad ASME. Esta válvula libera el aire automáticamente si la presión del tanque supera el máximo preestablecido..



7. Conectores de la salida de aire. Estos conectores son de conexión rápida y estilo universal de 1/4" y permiten cambios de herramienta rápidos.

8. Filtro de aire. El filtro de aire evita que la suciedad y los residuos entren a la bomba del compresor y reduce el ruido del compresor.

9. Interruptor de encendido/apagado. Este interruptor permite el control manual del compresor. Tenga en cuenta que cuando el interruptor esté en encendido, el compresor se encenderá o apagará automáticamente según la presión del tanque.

10. Válvula de drenaje del tanque. La válvula de drenaje del tanque permite que la humedad salga del tanque.

Funcionamiento del compresor de aire

Humedad en el Aire Comprimido

La humedad que se acumula en el aire comprimido se convierte en gotas a medida que sale del cabezal del compresor de aire. Cuando el nivel de humedad es muy alto o cuando el compresor ha estado en uso continuo por mucho tiempo, ésta se acumulará en el tanque. Al usar una pistola pulverizadora de pintura o una rociadora de arena, la misma saldrá a través de la manguera mezclada con el material que esté rociando.

IMPORTANTE: Esta condensación ocasionara manchas en la superficie pintada, especialmente cuando este pulverizando pinturas que no sean a base de agua. Al rociar arena ésta ocasionará que la arena se aglutine y obstruya la pistola, reduciendo su eficacia.

Para eliminar este problema, coloque un filtro en la línea de aire, lo más cerca posible de la pistola.

Funcionamiento del compresor de aire

Asegúrese que la válvula de drenaje del tanque esté cerrada, que la perilla reguladora esté totalmente hacia la izquierda, y que el interruptor de encendido/apagado esté apagado (Off). Conecte el compresor a un circuito dedicado de 15 amperios (mínimo). Ponga el interruptor de encendido/apagado en la posición de encendido (On). El compresor empezará a acumular presión. Después que el compresor alcance la presión de desconexión, instale una manguera (con la herramienta neumática deseada conectada a la misma) en la

salida del conector. Ajuste la perilla reguladora en la presión deseada.

⚠ ADVERTENCIA:

No presurice excesivamente ninguna herramienta neumática. Consulte las instrucciones de la herramienta neumática para ver la presión correcta.

Ahora el compresor está listo para funcionar.

Para Evitar Problemas

1. Lea las instrucciones: Lea atentamente este manual del operador **ANTES DE HACER FUNCIONAR** este nuevo compresor de aire. En el manual encontrará información sobre el funcionamiento y mantenimiento de la unidad.
2. Drene el tanque diariamente: Despresurice el sistema antes de drenar el tanque. Abra la válvula de drenaje del tanque y drene la humedad del tanque. Esto ayudará a evitar que el tanque se corroa y hace que el aceite y la humedad salgan del sistema de aire comprimido. Asegúrese de cerrar la válvula de drenaje del tanque firmemente antes de hacer funcionar el compresor.
3. Cambie el filtro de aire: Nunca use el compresor de aire sin un filtro de aire o con el filtro de aire atascado. Reemplace con un nuevo filtro cuando el elemento esté sucio.

Mantenimiento

⚠ ADVERTENCIA:

Libere toda la presión y desconecte la unidad antes de hacer cualquier tipo de reparación.

1. Chequee el compresor a ver si tiene algún problema visible, especialmente chequee el filtro de aire para cerciorarse de que esté limpio.
2. Hale el anillo de la válvula de seguridad y deje que calce en su posición normal.

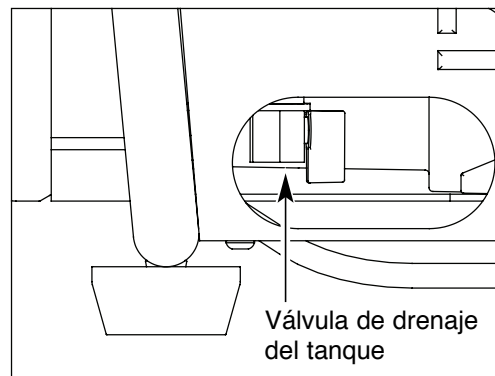
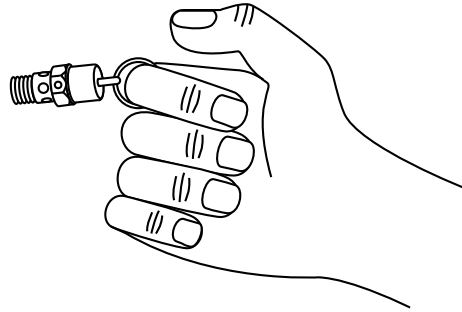
⚠ ADVERTENCIA:

Debe reemplazar la válvula de seguridad si no la puede activar o si hay fugas de aire una vez que haya soltado el anillo.

3. Drene la humedad del tanque a diario. Apague el compresor. Despresurice el sistema antes de drenar el tanque. Drene la humedad del tanque abriendo la válvula de drenaje debajo del tanque.
4. Apague el compresor (póngalo en OFF) y limpie completamente el motor, tanque, líneas de aire y las aletas de enfriamiento del cabezal.

NOTA: Es necesario chequear y limpiar con frecuencia el filtro de aire dentro de la cubierta del filtro del lado del cabezal, y con todavía más frecuencia si se usa en condiciones de mucho polvo cuando circula mucha neblina de pulverización cerca de la unidad.

IMPORTANTE: Debe ubicar la unidad lo más lejos posible del área de trabajo para evitar que el filtro se atasque.



Mantenimiento (continuación)

Tanque

⚠PELIGRO:

¡Nunca trate de reparar o modificar el tanque! Si lo suelda, taladra o modifica de cualquier otra manera, el tanque se debilitará y podría romperse o explotar. Siempre reemplace los tanques desgastados o dañados.

AVISO:

Drene el líquido del tanque diariamente.

El tanque se debe inspeccionar por lo menos una vez al año. Chequee a ver si hay grietas en las soldaduras. De haberlas, libere la presión del tanque inmediatamente y reemplácelo.

Para Desmontar, Chequear y Reemplazar el Filtro

Para cambiarle el filtro quítele la tapa. Si el elemento del filtro está sucio, reemplace el elemento o todo el filtro.

Lubricacion

Este compresor no requiere lubricación.

Almacenamiento

1. Mientras no lo esté usando debe almacenar el compresor en un sitio seco y frío.
2. Debe drenar el tanque.
3. Debe desconectar las mangueras y colgarlas con los extremos hacia abajo para que se drenen.

Planificación del mantenimiento

Servicio Necesario	Diariamente	Semanalmente
Drene el tanque	●	
Chequee el filtro de aire		●
Chequee la válvula de seguridad		●
Limpie el interior del motor con aire		●

Diagnóstico de problemas

⚠ ADVERTENCIA:

Para su propia seguridad, no pruebe ni haga funcionar el compresor de aire mientras realiza el diagnóstico de problemas.

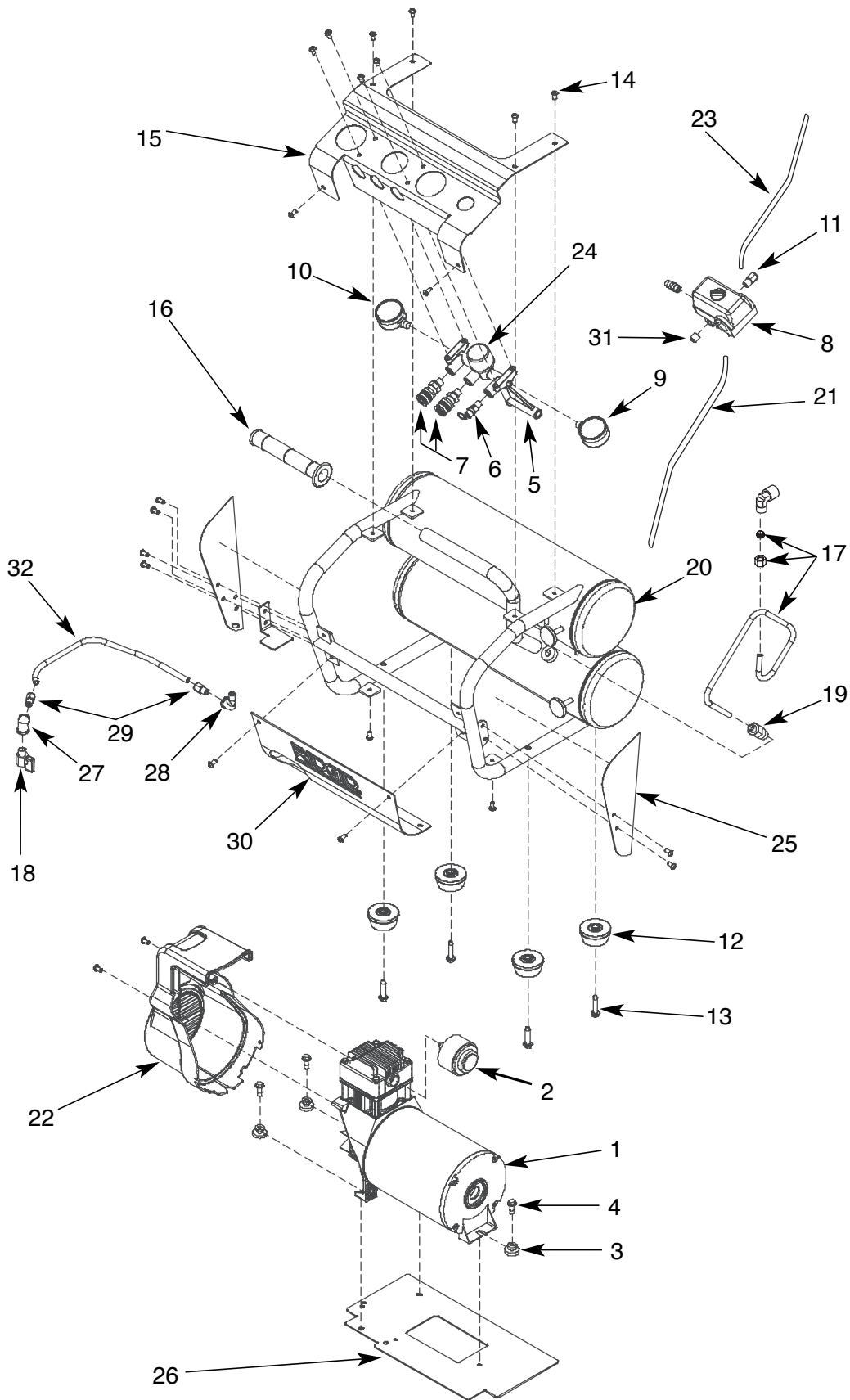
PROBLEMA	CAUSA PROBABLE	SOLUCIÓN
Compresor no funciona	<ol style="list-style-type: none"> 1. Unidad conectada a un cordón de extensión 2. No hay energía eléctrica 3. Fusible quemado 4. Cortacircuito desconectado 5. Protector térmico abierto 6. Presostato dañado 	<ol style="list-style-type: none"> 1. Chequee el cordón de extensión adecuado (vea la sección CORDONES DE EXTENSION, página 15) 2. ¿Está conectado? Chequee el fusible/cortacircuito o protector de sobrecarga del motor 3. Reemplace el fusible quemado 4. Reconéctelo y determine cual es el problema 5. El motor se enciende después de enfriarse 6. Reemplácelo
Motor hace ruido pero no funciona o funciona lentamente	<ol style="list-style-type: none"> 1. Voltaje bajo 2. Unidad conectada a un cordón de extensión 3. Defecto de la bobina del motor 4. Válvula de chequeo o desfogue defectuosa 	<ol style="list-style-type: none"> 1. Chequee con un voltmetro 2. Retire el cordón 3. Reemplace el motor 4. Reemplace o repare
Fusibles/cortacircuito se dispara con frecuencia	<ol style="list-style-type: none"> 1. Fusible inadecuado, circuito sobrecargado 2. Unidad conectada a un cordón de extensión 3. Válvula de retención o descargador defectuosos 	<ol style="list-style-type: none"> 1. Cerciérese de que está usando el fusible adecuado, use un fusible diferido. Desconecte los otros artefactos del circuito o conecte el compresor a su propio circuito 2. Chequee la tabla en la sección de funcionamiento 3. Reemplace o repare

Diagnóstico de problemas (continuación) ---

PROBLEMA	CAUSA PROBABLE	SOLUCIÓN
El protector de sobrecarga térmica se dispara constantemente	<ol style="list-style-type: none"> 1. Voltaje bajo 2. Filtro de aire está atascado 3. Poca ventilación/temperatura ambiental muy alta 4. Unidad conectada a un cordón de extensión 	<ol style="list-style-type: none"> 1. Chequee con un voltmetro 2. Limpie el filtro (vea la sección de Mantenimiento) 3. Mueva el compresor a un área bien ventilada 4. Retire el cordón de extensión
La presión del tanque disminuye cuando el compresor se apaga	<ol style="list-style-type: none"> 1. Conexiones flojas (conexiones, tuberías, etc.) 2. La llave de salida está floja 3. Hay fugas en la válvula de chequeo 	<ol style="list-style-type: none"> 1. Chequee todas las conexiones con agua enjabonada y apriete las conexiones flojas 2. Apriete la llave 3. Desmantele la válvula de chequeo, límpiela o reemplácela <p>⚠PELIGRO: Antes de desmantelar la válvula de chequeo purgue el aire del tanque</p>
Exceso de humedad en el aire de salida	<ol style="list-style-type: none"> 1. Exceso de agua en el tanque 2. Humedad alta 	<ol style="list-style-type: none"> 1. Drene el tanque 2. Mueva el compresor a un área menos húmeda; use un filtro de línea
Compresor funciona constantemente	<ol style="list-style-type: none"> 1. Presostato está dañado 2. Uso excesivo de aire 	<ol style="list-style-type: none"> 1. Reemplácelo 2. Disminuya el uso de aire; el compresor no tiene la capacidad de suministro necesaria
Compresor vibra	Pernos están flojos	Apriete los pernos
El suministro de aire es menos de lo normal	<ol style="list-style-type: none"> 1. Válvulas de entrada están rotas 2. Filtro de entrada está sucio 3. Fugas en las conexiones 	<ol style="list-style-type: none"> 1. Un técnico autorizado de servicio debe repararlo 2. Limpie o reemplace el filtro de entrada 3. Apriete las conexiones

Notas

Piezas de repuesto



Sp 20

Piezas de repuesto

Por piezas de repuesto, llame al 1-800-4-RIDGID

Sírvase darnos la siguiente información:

-Número del modelo

-Número de Serie (de haberlo)

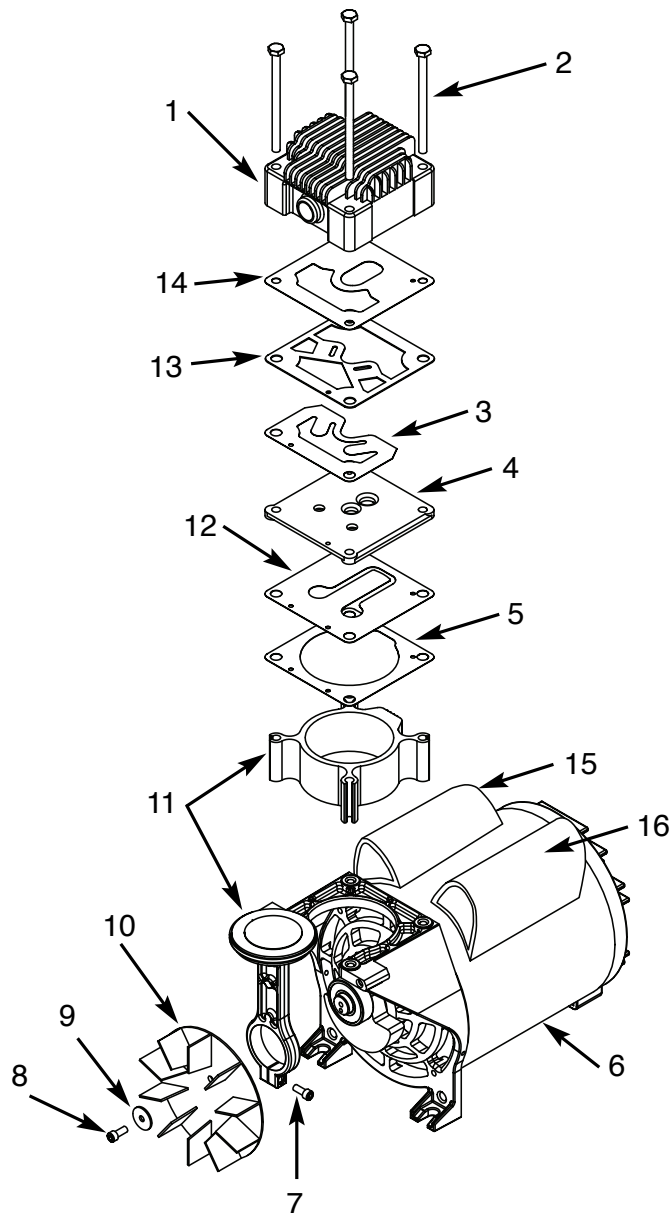
-Descripción y número del repuesto según la lista de repuestos

No. de Ref.	No de catálogo	Número de pieza	Descripción	Ctd
1	25673	WL373001AV	* Pump/motor assembly	1
2	20448	ST085700AV	Filtro	1
3	17723	WL003203AV	Almohadilla aislante	3
4	17713	ST158000AV	Perno del hombro	3
5	30538	WL038500AV	Múltiple (Incluye las piezas 6, 7, 9 y 10)	1
6	30543	V-215200AV	Válvula de seguridad de 13,79 bar	1
7	17873	HF203300AV	* Acoplador	2
8	30548	CW214300AV	Presostato	1
9	30553	GA032401AV	* Manómetro del tanque	1
10	30558	GA032400AV	* Manómetro de salida	1
11	17893	ST119305AV	Conectores	1
12	17853	ST158300AV	Defensa de goma moldeada	4
13	18038	ST116400AV	Perno de cabeza hex.	4
14	17783	ST071626AV	Tornillo de cabeza Torx	20
15	30563	WL038300AV	Soporte	1
16	30568	ST195300AV	* Mango	1
17	30573	WL212300AV	Tubo de descarga (incluyetuerca y casquillo)	1
18	20358	ST085800AV	Válvula de drenaje	1
19	17728	CV223800AV	Valvula de chequeo	1
20	30578	AR061100AV	Ensamblaje del tanque gemelo	1
21	30583	ST188800AV	Tubo de descarga (incluye inserto del tubo, tuerca y casquillo)	1
22	30588	WL038800AV	Tubo del colector	1
23	25003	ST170800AV	Tubo de distribuidor (incluye inserto del tubo, tuerca y casquillo)	1
24	—	WL036200AV	Regulador	1
25	—	N/A	Placas laterales	2
26	30593	WL038200AV	Soporte de la válvula de drenaje	1
27	—	N/A	Codo para tubo de 6,4 mm (1/4 inch) NPT	1
28	—	N/A	Codo macho para tubo de 6,4 mm (1/4 inch) NPT	1
29	—	N/A	Conexión de compresión, 6,4 mm (1/4 inch)	2
30	30598	WL038700AV	Tapa delantera	1
31	17888	ST022500AV	Tapón de 6,4 mm	2
32	30603	ST170900AV	Tubo de drenaje (incluye inserto del tubo, tuerca y casquillo)	1

* Se consideran artículos con desgaste normal

N/A = Artículo estándar de ferretería ó No disponible

Piezas de repuesto



Piezas de repuesto

Por piezas de repuesto, llame al 1-800-4-RIDGID

Sírvase darnos la siguiente información:

-Número del modelo

-Número de Serie (de haberlo)

-Descripción y número del repuesto según la lista de repuestos

No. de Ref.	No de catálogo	Número de pieza	Descripción	Ctd
1	17948	WL010500AV	Culata	1
2	—	●	Perno de la culata	4
3	—	▲	* Válvula de salida	1
4	—	▲	Placa de la válvula	1
5	17958	▲, XA012100AV	* Empaque del cilindro	1
6	17963	N/A	* Ensamblaje del motor (incluye ensamblaje excéntrica/cojinete) Para pedir, vea el montaje bomba/motor (pieza No. 1) en pág. 19	1
7	—	(Se incluye con el conjunto de émbolo, ref. No. 11)	Tornillo hex M5 x ,8 x 20	1
8	—	■	M5 x , 8 x 12 (L.H.) Tornillo	1
9	—	■	Arandela	1
10	—	■	Ventilador	1
11	17968	WL210300SJ	* Ensamblaje de pistón (incluye tornillo hex)	1
12	—	▲	* Válvula de entrada	1
13	17973	▲, XA010800AV	* Empaque de la culata (junta metálica)	1
14	17978	▲, XA012001AV	* Junta de la válvula de descarga	1
15	—	MC507017AV	Condensador de arranque (280-520 µF/250 VAC)	1
16	—	MC506908AV	Condensador de operación (40 µF/450 VAC)	1
JUEGOS DE PIEZAS DE REPUESTO				
●	17953	WL602801AJ	Juego de pernos de culata (Juego de 4)	1
▲	17983	WL201405SJ	Juego de piezas de la placa de la válvula (incluye válvula de salida, placa de la válvula, empaque del cilindro, válvula de entrada, empaque de la culata, y junta de la válvula de descarga)	1
■	17988	WL209802SJ	Juego de ventilador (incluye tornillo, arandela, y ventilador)	1

* Partes consideradas como de desgaste normal

N/A = ferretería estándar



Nº de catálogo OF45175A
Nº de modelo OF45175A Nº de serie
El número de modelo y el número de serie se pueden encontrar en su unidad. Debe registrar tanto el número de modelo como el número de serie en un lugar seguro para su uso futuro.

GARANTÍA LIMITADA DE TRES AÑOS PARA EL COMPRESOR DE AIRE RIDGID™

Este producto es fabricado por Campbell Hausfeld. Su marca es una marca registrada con licencia de Ridgid, Inc. Todas las comunicaciones referentes a la garantía deben dirigirse al servicio técnico de compresores de aire RIDGID al número de llamada gratuita 1-800-4-RIDGID.

QUÉ ESTÁ CUBIERTO BAJO LA GARANTÍA LIMITADA DE TRES AÑOS

Esta garantía cubre todos los defectos de mano de obra o materiales de este compresor de aire RIDGID durante un período de tres años a partir de la fecha de compra. Esta garantía es específica para este compresor de aire. Las garantías para otros productos RIDGID pueden variar.

CÓMO OBTENER EL SERVICIO

Para obtener servicio para este compresor de aire RIDGID debe enviarlo, con el flete pagado, a un centro de servicio autorizado para la reparación de compresores de aire RIDGID. Puede obtener la ubicación del centro de servicio más próximo llamando por el número de llamada gratuita 1-800-4-RIDGID o conectándose al sitio Web de RIDGID en www.ridgid.com. Cuando solicite un servicio cubierto por la garantía, debe presentar documentación de prueba de compra, que incluya la fecha de compra. El centro de servicio autorizado reparará cualquier defecto de mano de obra y reparará o reemplazará cualquier pieza defectuosa, según lo decida Campbell Hausfeld sin que esto presente un costo para usted.

QUÉ NO ESTÁ CUBIERTO

Esta garantía se aplica sólo al comprador original en el momento de la venta al por menor y no puede ser transferida. Esta garantía no cubre partes de uso y desgaste normal (ver repuestos) ni ningún malfuncionamiento, falla o defecto que sea el resultado de un uso incorrecto, abuso, negligencia, alteración, modificación o reparación por otro que no sea un centro de servicio autorizado para reparar compresores de aire de marca RIDGID. Los materiales fungibles, tales como el aceite, los filtros, etc. no están cubiertos por esta garantía. Los motores a gasolina y sus componentes están expresamente excluidos de esta cobertura y usted debe cumplir con la garantía proporcionada por el fabricante del motor, la cual se proporciona con el producto. **CAMPBELL HAUSFELD NO PROPORCIONA NINGUNA GARANTÍA, REPRESENTACIÓN NI PROMESA SOBRE LA CALIDAD O EL FUNCIONAMIENTO DE SUS COMPRESORES DE AIRE EXCEPTO POR AQUELLAS QUE SE MENCIONAN ESPECÍFICAMENTE EN ESTA GARANTÍA. RIDGID, INC. NO PROPORCIONA NINGUNA GARANTÍA NI REPRESENTACIÓN, EXPRESA O IMPLÍCITA INCLUYENDO LAS QUE SE DETALLAN A CONTINUACIÓN.**

LIMITACIONES ADICIONALES

Hasta donde está permitido por las leyes que se aplican, se niega toda responsabilidad por garantías implícitas, incluyendo las garantías de COMERCIALIZABILIDAD o IDONEIDAD PARA USOS ESPECÍFICOS. Las responsabilidades de cualquier garantía implícita, incluyendo las garantías de comerciabilidad o idoneidad para usos específicos, que no puedan ser denegadas de acuerdo a las leyes estatales estarán limitadas a tres años a partir de la fecha de compra. Campbell Hausfeld no es responsable por daños directos, indirectos, incidentales, especiales o consecuentes. Algunos estados no permiten limitaciones sobre la duración de las garantías implícitas y/o no permiten la exclusión ni la limitación de daños incidentales o consecuentes, por lo tanto es posible que las limitaciones anteriores no se apliquen en su caso. Esta garantía le proporciona derechos legales específicos, y también puede tener otros derechos que varían de un estado a otro.

PREGUNTAS O COMENTARIOS

LLAME A 1-800-4-RIDGID

www.ridgid.com

Sírvase tener a mano el número de modelo y el número de serie cuando llame.

RIDGID

OF45175A MANUEL D'OPÉRATEUR



COMPRESSEUR D'AIR PORTATIF À DEUX COLONNES

⚠ AVERTISSEMENT:

Pour réduire les risques de blessures, l'utilisateur doit lire et comprendre le manuel d'opérateur avant d'utiliser ce produit.

IN624800AV 1/08

Table des matières

Section	Page	Section	Page
Table des matières	Fr 2	Apprendre à connaître votre compresseur d'air	Fr 12
Instructions de sécurité	Fr 3	Fonctionnement de votre compresseur d'air	Fr 14
Termes de signaux de sécurité	Fr 3	L'Humidité dans l'Air	
Avant d'utiliser le compresseur d'air	Fr 3	Comprimé	Fr 14
Précautions de Pulvérisation	Fr 5	Fonctionnement de votre compresseur d'air	Fr 14
Avertissement D'Air Respirable	Fr 5	Pour un Fonctionnement sans Problème	Fr 14
Étiquettes d'avertissement	Fr 6	Entretien	Fr 15
Spécifications du moteur et exigences électriques	Fr 7	Réservoir	Fr 16
Moteur et alimentation électrique		Enlevage, Inspection et Remplacement du Filtre	Fr 16
Spécifications	Fr 7	Graissage	Fr 16
Connexions électriques générales	Fr 7	Entreposage	Fr 16
Renseignements de l'outil de 110-120 volt, 60 Hz.	Fr 8	Horaire d'entretien	Fr 16
Rallonges	Fr 9	Dépannage	Fr 17
Protecteur de Surcharge Thermique	Fr 9	Notes	Fr 19
Glossaire des termes	Fr 10	Pièces de réparation	Fr 20
Déballage et vérification Contenu	Fr 11	Garantie	Fr 24
Installation	Fr 11		

Instructions de sécurité

Ce manuel contient de l'information très importante qui est fournie pour la SÉCURITÉ et pour ÉVITER LES PROBLÈMES D'ÉQUIPEMENT. Rechercher les symboles suivants pour cette information.

Mot signal de sécurité

▲ DANGER:

Danger indique une situation hasardeuse imminente qui, si pas évitée, RÉSULTERA en perte de vie ou blessures graves.

▲ AVERTISSEMENT:

Avertissement indique une situation hasardeuse potentielle qui, si pas évitée, PEUT résulter en perte de vie ou blessures graves.

▲ ATTENTION:

Attention indique une situation hasardeuse potentielle qui, si pas évitée, PEUT résulter en blessures modérées.

AVIS:

Avis indique l'information importante pour éviter le dommage de l'équipement.

Avant d'utiliser le compresseur d'air

Les compresseurs d'air sont utilisés dans une variété d'applications. Puisque les compresseurs d'air et autres pièces détachées (pompe, pistolets, filtres, graisseurs, tuyaux, etc.) forment un système de pompage de haute pression, observez les précautions de sécurité suivantes. Seules les personnes bien familiarisées avec ces règles de sécurité doivent être autorisées à se servir du compresseur

▲ AVERTISSEMENT:

Seul un électricien qualifié (autorisé ou diplômé) doit effectuer les travaux électriques. Sur un circuit installé correctement, les fils noirs fournissent une tension même si le modèle est hors circuit (OFF).

1. Lire attentivement tous les manuels d'instructions pour chaque pièce détachée avant d'essayer de monter, démonter ou de faire fonctionner votre système.
2. Porter des lunettes de sécurité (répondant à la norme ANSI Z87.1 ou

au Canada CSA Z94.3-99) et utiliser une protection auditive en faisant fonctionner la pompe ou l'appareil. Les lunettes courantes ne sont pas des lunettes de sécurité.

3. Ne pas dépasser l'évaluation de pression de n'importe quelle pièce détachée du système.
4. Protéger la tuyauterie et canalisations d'air contre le dommage ou la perforation. Garder les tuyaux et câbles de transport d'énergie à l'écart des objets pointus, déversements chimiques, huile, solvants et planchers trempés.
5. Ne jamais pointer un pistolet vers soi-même ni vers une autre personne. Le décharge accidentel peut causer des blessures graves.
6. Vérifier les tuyaux pour rechercher tout signe de faiblesse ou d'usure et assurer que tous les raccordements sont sûrs; ne pas utiliser si endommagé. Contacter un centre de service autorisé pour l'inspection ou la réparation.
7. Dissiper toute la pression du système lentement; la poussière et le débris peuvent être dangereux.

Instructions de sécurité (suite)

⚠ AVERTISSEMENT:

Débrancher et dissiper toute la pression du système avant de procéder à l'entretien du compresseur! (Mettre le compresseur hors circuit et tourner le bouton de réglage de pression complètement au sens des aiguilles d'une montre.)

8. Suivre toutes les codes locaux d'électricité et de sécurité, ainsi que le National Electrical Code (NEC) et le Occupational Safety and Health Act (OSHA).
9. L'installation des fils et fusibles devraient suivre les codes électriques, capacité du courant, et doivent être mis à la terre correctement.
10. Les moteurs électriques doivent être mis à la terre correctement. Voir les instructions de mise à la terre et l'information concernant les cordons prolongateurs dans ce manuel.
11. Toujours débrancher la source d'énergie avant de travailler sur ou près d'un moteur, ou son charge branché. Si l'endroit de débranchement est hors vue, le serrer dans la position ouverte et l'étiquetter pour éviter une application de puissance inattendue.
12. Protéger contre les pièces mobiles; garder les visiteurs à l'écart de l'endroit de travail. Ne jamais permettre les enfants dans l'endroit de travail.
13. Utiliser seulement une prise de courant mise à la terre qui acceptera une fiche à trois broches, et portez des chaussures pour éviter le risque de secousse électrique.
14. Prendre précaution de ne pas toucher l'extérieur du moteur car il peut être assez chaud pour causer des blessures.
15. Protéger le câble électrique contre les objets pointus.
16. Nettoyer l'équipement électrique ou électronique avec un produit approuvé tel qu'un solvant de nettoyage sèche qui n'est pas inflammable.
17. Mettre au rebut les torchons usés dans les récipients en métal approuvés pour éviter la combustion spontanée.
18. Ne jamais entreposer les liquides inflammables ou gaz dans l'endroit du compresseur.
19. Suivre les instructions du fabricant de produit chimique pour la pulvérisation des solvants ou produits chimiques toxiques.
20. Pour éviter la collection des vapeurs et les risques de santé ou d'incendie, pulvériser dans un endroit bien ventilé.
21. Ne pas pulvériser dans l'endroit d'une flamme ni dans un endroit où une étincelle peut précipiter l'allumage. Ne pas fumer pendant la pulvérisation de la peinture, d'insecticides ou autres produits inflammables.
22. Utiliser un respirateur pendant la pulvérisation.
23. NE JAMAIS rajuster la soupape de sûreté ou le manostat. Garder la soupape de sûreté libre de peinture et autres accumulations. Ceci sert à éviter la sur-pression.
24. Suivre l'entretien ordinaire; garder tous les écrous, boulons et vis serrés pour assurer un bon état de marche de l'équipement.
25. Garder tous les torchons de nettoyage et autres produits inflammables dans un récipient en métal fermé et mettre au rebut de manière responsable.
26. Faire couler l'humidité du réservoir quotidiennement. Si le modèle n'est pas en service pour quelque temps, laisser le robinet de vidange ouvert.

Ceci permet que l'humidité se vide complètement et aide à empêcher la corrosion.

27. Vérifier le réservoir quotidiennement pour la rouille, trous d'épingle ou autres imperfections qui peuvent

avoir un effet sur la sécurité. NE JAMAIS souder ou percer le réservoir à air.

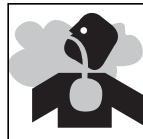
Précautions de Pulvérisation

⚠ AVERTISSEMENT:



Ne pas pulvériser des matériaux inflammables près d'une flamme ni près d'une source d'ignition y inclus le compresseur.

1. Ne pas fumer pendant la pulvérisation de peinture, d'insecticides ou d'autres substances inflammables.
2. Utiliser un masque/respirateur pendant la pulvérisation et pulvériser dans un endroit bien ventilé



pour éviter les hasards de santé et de feu.

3. Ne pas pulvériser vers le compresseur. Situer le compresseur aussi loin que possible de l'endroit de pulvérisation pour minimiser l'accumulation de surpulvérisation sur le compresseur.
4. Pour pulvériser ou nettoyer avec des solvants ou produits chimiques toxiques, suivre les instructions fournies par le fabricant du produit chimique.

⚠ DANGER:

Avertissement D'Air Respirable

Ce compresseur n'est pas équipé pour et ne devrait pas être utilisé "comme soi" pour fournir de l'air respirable. Pour les applications d'air pour la consommation humaine, il est nécessaire d'équiper le compresseur d'air/pompe avec de l'équipement de sécurité en canalisation et d'alarme. Cet équipement additionnel est nécessaire pour filtrer et purifier l'air afin d'atteindre les spécifications minimales pour la respiration Grade D décrit dans le Compressed Gas Association Commodity Specification G 7.1 - 1966, OSHA 29 CFR 1910. 134, et/ou Canadian Standards Associations (CSA).

DÉNÉGATION DES GARANTIES

Si le compresseur est utilisé pour les applications d'air respirable et l'équipement de sécurité en canalisation et d'alarme n'est pas utilisé simultanément, les garanties en existence seront annulées, et Campbell Hausfeld nie toute responsabilité pour n'importe quelle perte, blessure personnelle ou dommage.

Instructions de sécurité (suite)

⚠️ AVERTISSEMENT:

Proposition 65 Californie

Ce produit ou son cordon contient des produits chimiques qui de l'avis de l'État de Californie peut causer le cancer et des anomalies congénitales ou autres problèmes de reproduction. Lavez-vous les mains après la manipulation.

Étiquettes d'avertissement

Trouver et lire toutes les étiquettes d'avertissement qui se trouvent sur le compresseur d'air indiquées plus bas

⚠️ WARNING

DRAIN TANK EVERY DAY TO PREVENT CORROSION AND POSSIBLE INJURY DUE TO TANK DAMAGE.

⚠️ AVERTISSEMENT

PURGER LE RESERVOIR QUOTIDIENNEMENT AFIN D'ÉVITER LA CORROSION ET LE RISQUE DE BLESSURES CAUSE PAR LE DOMMAGE AU RESERVOIR

⚠️ ADVERTENCIA

DRENE EL TANQUE DIARIAMENTE PARA EVITAR QUE SE OXIDE Y EL RIESGO DE HARIDAS DEBIDO A UN TANQUE DANADO.








**EASY DRAIN VALVE
LOCATED ON OPPOSITE SIDE**

**SOUPAPE DE PURGE FACILE
AU COTE OPPOSE**

**VÁLVULA PARA FÁCIL DRENAJE
UBICADA EN EL LADO OPUESTO**

**TO OPEN
POUR OUVRIR
PARA ABIR**

DK864800AV 1207

⚠️ WARNING	⚠️ AVERTISSEMENT	⚠️ ADVERTENCIA
<p> • READ INSTRUCTION MANUAL BEFORE OPERATING.</p>	<p>• LIRE LE MANUEL D'UTILISATION AVANT DE FAIRE FONCTIONNER LE MODÈLE.</p>	<p>• LEA EL MANUAL DE INSTRUCCIONES ANTE DE OPERAR.</p>
<p> • RISK OF FIRE OR EXPLOSION - DO NOT SPRAY COMBUSTIBLE/FLAMMABLE LIQUID IN A CONFINED AREA. SPRAY AREA MUST BE WELL VENTILATED. DO NOT SMOKE WHILE SPRAYING OR SPRAY WHERE SPARK OR FLAME IS PRESENT. ARCING PARTS - KEEP COMPRESSOR AT LEAST 20 FEET AWAY FROM SPRAYING AREA AND ALL EXPLOSIVE VAPORS.</p>	<p>• RISQUE D'INCENDIE OU D'EXPLOSION - NE PAS PULVERISER LES LIQUIDES COMBUSTIBLES/ INFLAMMABLES DANS UN ENDROIT CLOS. L'ENDROIT DE PULVERISATION DOIT ÊTRE BIEN VENTILÉ. NE PAS FUMER PENDANT LA PULVERISATION NI PULVERISER DANS L'ENDROIT D'UNE FLAMME OU D'UNE ÉTINCELLE. PIÈCES QUI PROJettent DES ÉTINCELLES - GARDER LE COMPRESSEUR AU MOINS 6.1 M DE L'ENDROIT DE PULVERISATION ET DE TOUTES VAPEURS EXPLOSIVES.</p>	<p>• RIESGO DE INCENDIO O EXPLOSIÓN - NO ROCÍE LÍQUIDOS COMBUSTIBLES/INFLAMMABLES EN UN ÁREA ENCERRADA. EL ÁREA DE TRABAJO DEBE ESTAR BIEN VENTILADA. NO FUME MIENTRAS ESTE ROCIANDO NI ROCÍE CERCA DE CHISPAS O LLAMAS. PIEZAS QUE PRODUCEN ARCOS ELÉCTRICOS MANTÉNGA EL COMPRESOR AL MENOS A 6.1 M DE DISTANCIA DEL ÁREA DONDE ESTÉ ROCIANDO O DE DONDE HAYA CUALQUIER TIPO DE VAPORES EXPLOSIVOS.</p>
<p> • RISK OF INJURY - DO NOT DIRECT AIR STREAM AT BODY. USE EYE PROTECTION. COMPRESSOR STARTS AUTOMATICALLY. MOVING PARTS. DO NOT TOUCH. KEEP GUARDS IN PLACE. COMPRESSOR DOES NOT SUPPLY BREATHABLE AIR.</p>	<p>• RISQUE DE BLESSURE - NE PAS DIRIGER LE JET D'AIR VERS VOTRE CORPS. UTILISER LA PROTECTION OCULAIRE. LE COMPRESSEUR SE DÉMARRE AUTOMATIQUement. PIÈCES MOBILES NI TOUCHEZ PAS. GARDER LES APPAREILS PROTÉGÉS EN PLACE. LE COMPRESSEUR NE FOURNIT PAS DE L'AIR RESPIRABLE.</p>	<p>• RIESGO DE HERIDAS - NO DIRIJA EL FLUJO DE AIRE DIRECTAMENTE AL CUERPO. PROTEJASE LA VISTA. EL COMPRESOR SE ENCIENDE AUTOMÁTICAMENTE. PIEZAS QUE SE MUEVEN. NO LAS TOQUE. MANTÉNGALAS PROTEGIDAS. EL COMPRESOR NO LE SUMINISTRA AIRE RESPIRABLE.</p>
<p> • RISK OF BURSTING - DO NOT ADJUST REGULATOR TO RESULT IN OUTPUT PRESSURE GREATER THAN MARKED MAXIMUM PRESSURE OF ATTACHMENT. IF A REGULATOR HAS NOT BEEN INSTALLED, USE ONLY ATTACHMENT RATED AT 200 PSI OR HIGHER. DO NOT WELD ON OR REPAIR TANK - REPLACE. DO NOT OPERATE WITHOUT PROPER ASME SAFETY VALVE IN PLACE.</p>	<p>• RISQUE D'ÉCLATEMENT - NE PAS AJUSTER LE RÉGULATEUR AFIN D'OBTENIR UNE PRESSION DE DÉCHARGE PLUS ÉLEVÉE QUE LA PRESSION MAXIMUM DE L'ACCESSOIRE. S'IL N'Y A PAS DE RÉGULATEUR, UTILISER SEULEMENT LES ACCESSOIRES QUI SONT CLASSIFIÉS À 1379 kPa OU PLUS. NE PAS SOUDER SUR/NI RÉPARER LE RESERVOIR - LE REMPLACER. NE PAS FAIRE FONCTIONNER SANS QU'IL Y AIT UNE SOUPAPE DE SÛRETÉ ASME EN PLACE.</p>	<p>• RIESGO DE EXPLOSIÓN - NO AJUSTE EL REGULADOR PARA OBTENER UNA PRESIÓN DE SALIDA SUPERIOR A LA INDICADA COMO PRESIÓN MÁXIMA DEL ACCESORIO. SI NO HA INSTALADO UN REGULADOR, USE SÓLO ACCESORIOS DE SEÑADOS PARA PRESIONES DE 13.8 BAR O MÁS. NO SUELDE NI REPARE EL TANQUE - REEMPLÁCELO. NO LO OPERE SIN HABERLE INSTALADO UNA VÁLVULA DE SEGURIDAD ASME ADECUADA.</p>
<p> • RISK OF ELECTRICAL SHOCK - HAZARDOUS VOLTAGE. DISCONNECT FROM POWER SOURCE BEFORE SERVICING. COMPRESSOR MUST BE GROUNDED. DO NOT USE GROUNDING ADAPTORS. DO NOT EXPOSE TO RAIN. STORE INDOORS.</p>	<p>• RISQUE DE SECousse ÉLECTRIQUE - TENSION HASARDEUSE: DÉBRANCHEZ DE LA SOURCE DE PUISSANCE AVANT DE PROCÉDER À L'ENTRETIEN. LE COMPRESSEUR DOIT ÊTRE MIS À LA TERRE. NE PAS UTILISER DES ADAPTEURS DE MISE À LA TERRE. NE PAS EXPOSER À LA PLUIE. L'ENTREPOSER À L'INTÉRIEUR.</p>	<p>• RIESGO DE CHOQUE ELÉCTRICO - VOLTAJE PELIGROSO: DES-CONÉCTELO DEL TOMACORRIENTES ANTES DE DARLE SERVICIO. EL COMPRESOR SE DEBE CONECTAR A TIERRA. NO USE ADAPTADORES PARA CONECTARLO A TIERRA. NO LO DEJE A LA INTemperIE. ALMACÉNELO BAJO TECHO.</p>
<p>IF CONNECTED TO A CIRCUIT PROTECTED BY FUSES, USE TIME-DELAY FUSE MARKED "D".</p>	<p>SI BRANCHÉ À UN CIRCUIT PROTÉGÉ PAR DES FUSIBLES, UTILISER UNE FUSIBLE À RETARDEMENT MARQUÉE "D".</p>	<p>SI LO CONECTA A UN CIRCUITO PROTEGIDO CON FUSIBLES, USE FUSIBLES DE ACCIÓN RETARDADA TIPO "D".</p>
<p>COMPLIES WITH CCR462 (L)(2).</p>	<p>SE CONFORME AU CCR462 (L)(2).</p>	<p>CUMPLE CON LAS ESPECIFICACIONES CCR462 (L)(2). <small>DK724100AV 100</small></p>

Spécifications du moteur et exigences électriques

Alimentation électrique et spécifications du moteur

⚠ AVERTISSEMENT:

Pour réduire le risque d'incendie, de choc électrique ou de dommages aux outils, utiliser la bonne protection de circuit. Votre outil est câblé à l'usine pour fonctionner à l'aide de la tension indiquée. Connecter l'outil à une ligne de courant avec une tension appropriée et un circuit de dérivation de 15 ampères. Utiliser un disjoncteurs ou un fusible de type de surcharge de 15 ampères. Pour réduire les risques d'incendie et de chocs électriques, si le cordon est usé ou coupé ou endommagé de quelque façon que ce soit, le remplacer immédiatement.

Le moteur c.a. utilisé sur ce compresseur est un type à induction non réversible à condensateur permanent aux spécifications suivantes. Il est câblé à l'usine pour fonctionner sous 110 - 120 V c.a., 60 Hz.

Tension	110-120
Ampères	14
Hertz (cycles)	60
Phase	Monophasé
tr/min :	3 450

Connexions électriques générales.

⚠ DANGER:

Pour réduire les risques d'électrocution :

1. Utiliser seulement des pièces de rechange identiques pour les réparations. Ces dernières doivent être effectuées par un technicien qualifié.
2. Ne pas utiliser sous la pluie ou lorsque le sol est humide. L'appareil est prévu seulement pour une utilisation résidentielle intérieure.

⚠ AVERTISSEMENT:

Ne pas laisser les doigts toucher les bornes de la prise en installant ou retirant la fiche de la prise.

Spécifications du moteur et exigences électriques (suite)

110-120 volts, 60Hz Information sur l'outil

La fiche fournie avec votre outil pourrait ne pas s'ajuster dans la prise que vous prévoyez utiliser. Votre code d'électricité local pourrait exiger des connexions de fiche de cordon d'alimentation un peu différentes. Si c'est le cas, se reporter et effectuer les ajustements appropriés selon votre code local avant de brancher et de mettre l'outil en marche.

Dans le cas de défaillance ou de panne, la mise à la terre donne une voie de moindre résistance au courant électrique ce qui réduit les risques de choc électrique. Cet outil est doté d'un cordon électrique à conducteur de mise à la terre de l'équipement et une fiche de masse, tel qu'illustré. La fiche doit être branchée dans une prise de courant assortie installée et mise à la terre correctement conformément à tous les codes et ordonnances locaux.

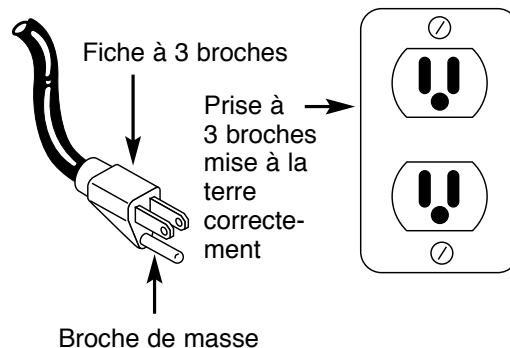
Ne modifiez pas la fiche fournie. Si elle n'entre pas correctement dans la prise, faire installer une prise convenable par un électricien qualifié.

Une mauvaise connexion du conducteur de terre de l'équipement peut créer des risques de chocs électriques. Le conducteur à l'isolant vert à l'extérieur (avec ou sans rayures jaunes) est le conducteur de terre. S'il faut remplacer ou réparer le cordon électrique ou la fiche, ne pas brancher le conducteur de terre à une borne sous tension.

Si l'on ne comprend pas entièrement les instructions de mise à la terre ou s'il y a des doutes quant à la mise à la terre appropriée, vérifier auprès d'un électricien qualifié ou du personnel de service.

⚠ AVERTISSEMENT:

Cet outil pourrait provoquer un choc électrique s'il n'est pas mis à terre correctement, tout particulièrement quand utilisé dans des emplacements humides, près de la plomberie ou à l'extérieur.



Rallonges

1. Le compresseur d'air doit être placé à un endroit permettant de le brancher directement dans une prise. Il ne faut pas utiliser de rallonge avec cet appareil.
2. Pour éviter toute perte de courant et toute surchauffe, il est recommandé d'utiliser un tuyau à air supplémentaire plutôt qu'une rallonge.

Protecteur de Surcharge Thermique

▲ATTENTION:

Ce compresseur est équipé avec un protecteur de surcharge thermique de rajustement automatique qui sert à couper le moteur s'il devient surchauffé.

Si le protecteur de surcharge thermique coupe le moteur (OFF) à maintes reprises, vérifier pour les causes suivantes.

1. Tension basse.
2. Calibre de fil ou taille de cordon prolongateur incorrect.

3. Filtre d'air obstrué.
 4. Ventilation insuffisante.
 5. L'appareil est utilisé avec une rallonge.
- Voir le tableau de dépannage pour la mesure corrective.

▲ATTENTION:

Le moteur doit se refroidir avant le démarrage si possible. Le moteur se relancera sans avis si branché dans une prise de courant et s'il est en marche (ON).

Glossaire des termes

Soupape De Sûreté ASME

Cette soupape relâche l'air automatiquement si la pression du réservoir dépasse la pression maximum réglé d'avance.

PSI (libres pour pouce carré)

Mesure la pression exercée par la force de l'air. La sortie réelle en lb/po² se mesure par un manomètre sur le compresseur.

PCNM (pied cube normal par minute)

pi³/min (pied cube par minute) Mesure du volume d'air livré par le compresseur

Soufflage d'air

Une combinaison de psi et PCNM. Le soufflage d'air requis par un outil est indiqué sous forme de (nombre) PCNM à (nombre) psi. Le mélange de ces chiffres détermine la taille d'appareil nécessaire.

Capacité de réservoir à air

Le volume d'air stocké dans le réservoir et disponible pour une utilisation immédiate. Un large réservoir permet l'utilisation intermittente d'un outil pneumatique exigeant de l'air à un niveau plus élevé que la valeur nominale du compresseur.

Volts ou tension

Une mesure de la force d'un courant électrique.

A ou ampères

Une mesure de la force électrique moins la résistance sur une ligne électrique. Les compresseurs RIDGID exigent 15 ampères pour fonctionner. S'assurer que le compresseur fonctionnera sur une ligne électrique aux bons ampères. Si d'autres appareils ménagers fonctionnent sur la même ligne, ils réduiront les ampères disponibles. Si l'ampérage n'est pas adéquat, le résultat sera des fusibles grillés ou des disjoncteurs déclenchés.

Régulateur

Un contrôle qui ajuste la pression de fluide à la quantité appropriée nécessaire pour faire fonctionner les pistolets de pulvérisation et les outils pneumatiques.

Manomètre des réservoirs

Indique la pression du réservoir en psi.

Manomètre de canalisation

Affiche les pressions de canalisation actuelles. Il est régulé par le bouton du régulateur.

Pression de fermeture/d'ouverture

PSI précis lorsque le compresseur démarre et s'arrête en remplissant le réservoir d'air.

Déballer et vérifier le contenu

1. Retirer le compresseur d'air du carton.
2. Placer le compresseur sur une surface de travail fixe, sécurisée et vérifier attentivement.

⚠ AVERTISSEMENT:

Ne pas faire fonctionner l'appareil s'il est endommagé pendant l'expédition, la manipulation ou l'utilisation. Des dommages peuvent mener à l'éclatement et provoquer des blessures ou des dommages à la propriété.

⚠ AVERTISSEMENT:

Pour votre propre sécurité, ne jamais faire fonctionner l'appareil avant de terminer toutes les étapes d'assemblage et d'avoir lu et compris tout le manuel de l'opérateur.

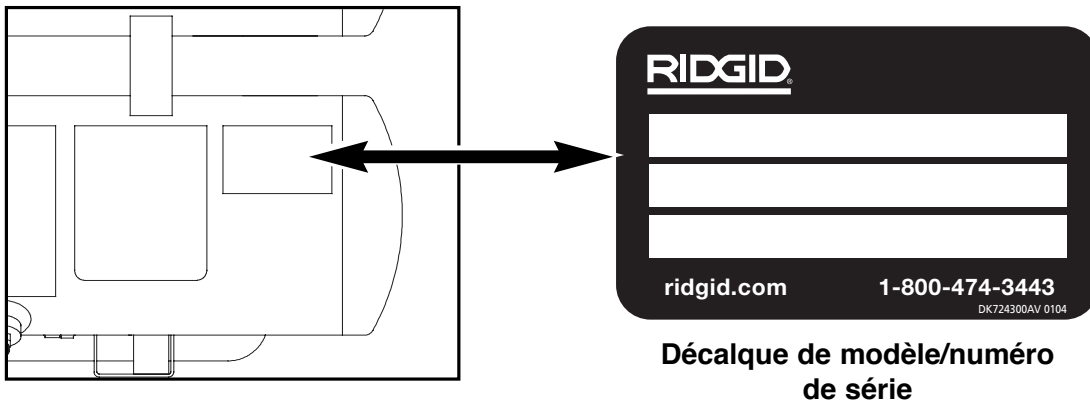
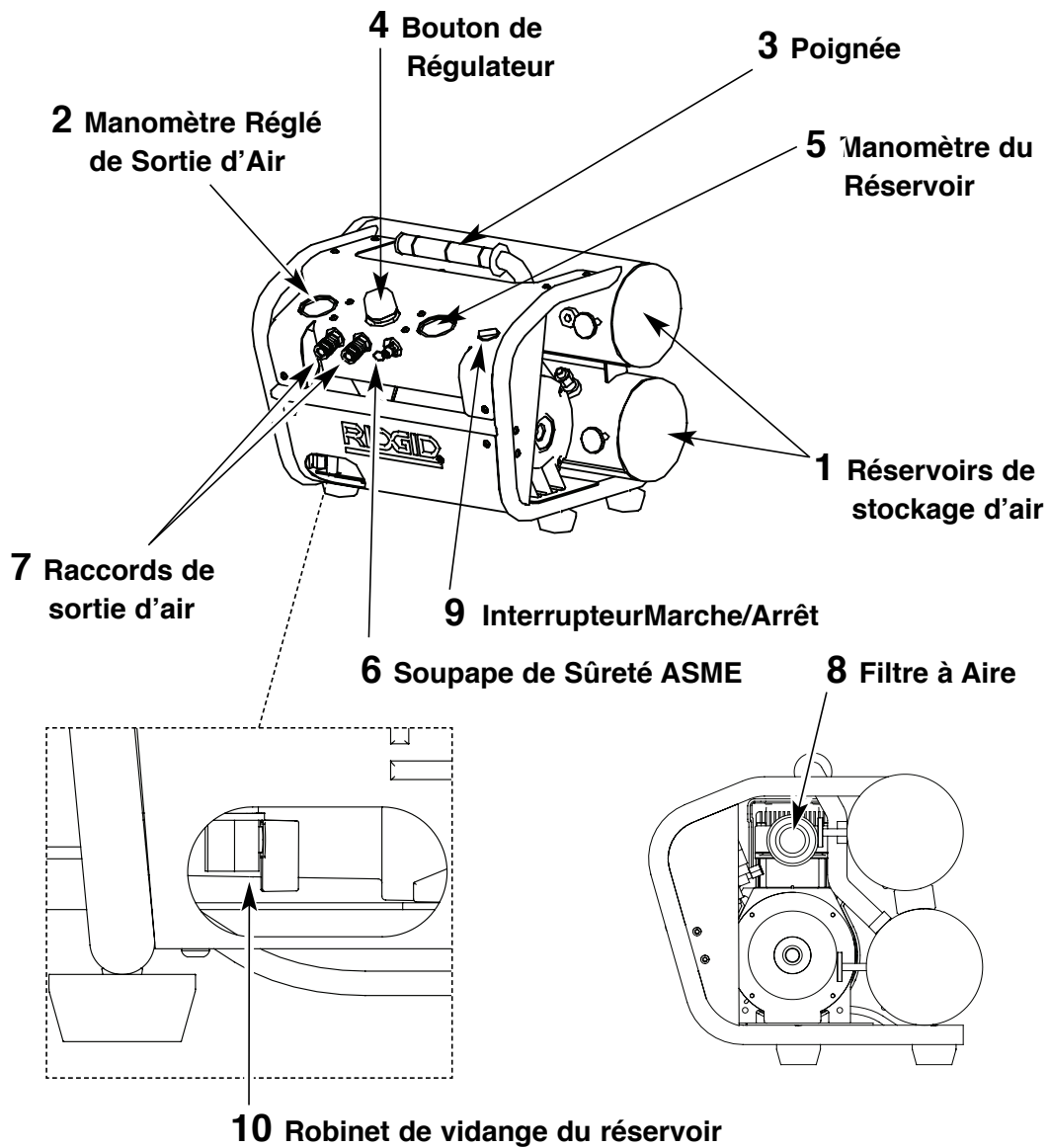
⚠ AVERTISSEMENT:

Pour réduire les risques de blessure, s'ils manquent des pièces, ne pas essayer de faire fonctionner le compresseur d'air avant d'avoir obtenu les pièces manquantes et de les avoir installées correctement.

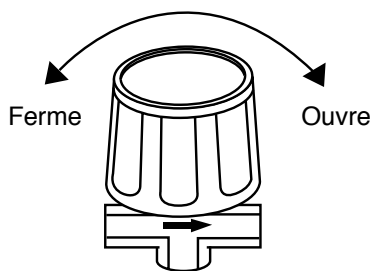
Installation

1. Vérifier et serrer tous les boulons, raccords, etc., avant d'utiliser le compresseur.
2. Utiliser le compresseur dans un endroit bien ventilé afin de le refroidir.
3. Le compresseur d'air doit être placé à un endroit permettant de le brancher directement dans une prise. Il ne faut pas utiliser de rallonge avec cet appareil.
4. Pour éviter toute perte de courant et tout surchauffe, il est recommandé d'utiliser un tuyau à air supplémentaire plutôt qu'une rallonge.

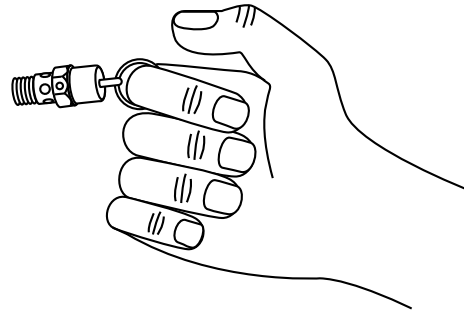
Apprendre à connaître votre compresseur d'air —



1. **Réservoirs de stockage d'air** Le réservoir stocke de l'air à utiliser plus tard.
2. **Manomètre Régulé de Sortie d'Air.** Ce manomètre indique la pression d'air de sortie. La pression d'air est mesurée en livres par pouce carré - lb/po² (PSI). La plupart des outils ont des capacités de pression maximum. Ne pas dépasser la capacité de pression maximum de l'outil utilisé. S'assurer que le manomètre est à ZERO avant de changer les outils pneumatiques ou avant de débrancher le tuyau.
3. **Poignée.** Utilisé pour déplacer le compresseur.
4. **Bouton de Régulateur.** Ce bouton contrôle la pression d'air vers un outil pneumatique ou un pistolet de pulvérisation de peinture. Tourner le bouton dans le sens des aiguilles d'une montre augmente la pression d'air à la sortie. Tourner dans le sens contraire des aiguilles d'une montre réduit la pression d'air à la sortie. Tourner entièrement dans le sens contraire des aiguilles coupera entièrement le débit d'air.



5. **Manomètre du Réservoir.** Le manomètre indique la pression dans le réservoir ce qui indique que le compresseur fonctionne bien.
6. **Soupape de Sûreté ASME.** Cette soupape dégage automatiquement l'air si la pression du réservoir dépasse le maximum préétabli.



7. **Raccords de sortie d'air.** Ces raccords sont des raccords universels rapides de 1/4 po et permettent des changements d'outils rapides.
8. **Filtre à Air.** Le filtre à air empêche la poussière et les débris d'entrer dans la pompe de compresseur et réduit le bruit du compresseur.
9. **Interrupteur Marche/Arrêt.** Ce commutateur permet un contrôle manuel du compresseur. Noter que lorsque le commutateur est en marche, le compresseur démarrera et s'arrêtera automatiquement selon la pression du réservoir.
10. **Robinet de vidange du réservoir .** Le robinet de vidange du réservoir permet de retirer l'humidité du réservoir.

Fonctionnement de votre compresseur d'air

L'Humidité dans l'Air Comprimé

L'humidité dans l'air comprimé forme des gouttelettes en arrivant de la pompe du compresseur. Si l'humidité est élevée ou si le compresseur est utilisé continuellement, cette humidité s'accumulera dans le réservoir. En utilisant un pistolet à peinture ou un pistolet pour décapage au sable, cette eau sera transportée du réservoir par moyen du tuyau, et en forme de gouttelettes hors du tuyau, mélangée avec le matériel utilisé.

IMPORTANT: Cette condensation peut avoir comme résultat des tâches d'eau sur votre travail de peinture, surtout en pulvérisant la peinture qui n'a pas de base d'eau. Pendant la décapage au sable, cette eau servira à tenir le sable ensemble et à causer une obstruction dans le pistolet.

Fonctionnement de votre compresseur d'air

S'assurer de fermer le robinet de vidange du réservoir, que le bouton du régulateur est entièrement tourné dans le sens contraire des aiguilles d'une montre et que l'interrupteur marche/arrêt est en position d'arrêt.

Brancher le compresseur dans un circuit réservé de 15 ampères (au moins). Mettre l'interrupteur MARCHE/ARRÊT à la position MARCHE. Le compresseur commencera alors à accumuler de la pression.

Lorsqu'il atteint la pression de coupure, installer un tuyau (à l'accessoire voulu installé) sur le raccord de sortie. Ajuster

le bouton du régulateur à la pression voulue.

⚠ AVERTISSEMENT:

Ne pas surpressuriser tout outil pneumatique. Consulter les instructions de l'outil pneumatique pour connaître la bonne pression pour l'outil.

Le compresseur est maintenant prêt à être utilisé.

Pour un Fonctionnement sans Problème

1. Lire les instructions: Lire attentivement ce manuel de l'opérateur AVANT DE FAIRE FONCTIONNER le nouveau compresseur d'air. Il contient de l'information concernant l'utilisation et l'entretien du modèle.

2. Purger le réservoir quotidiennement: Dépressuriser le système avant de drainer le réservoir. Ouvrir le robinet de vidange du réservoir et drainer l'humidité du réservoir. Ceci aide à

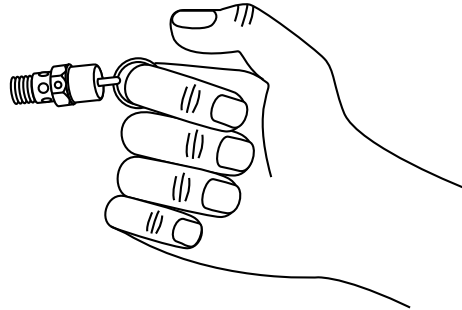
prévenir la corrosion du réservoir et à garder l'huile et l'humidité hors du système d'air comprimé. S'assurer de fermer le robinet fermement avant de faire fonctionner le compresseur.

3. Changer le filtre d'air: Ne jamais utiliser un compresseur sans filtre d'air ni avec un filtre d'air obstrué. Remplacer avec un nouveau filtre lorsque l'élément est sale.

Entretien

⚠ AVERTISSEMENT:

Dissiper toute la pression et débrancher avant d'effectuer n'importe quelle réparation.



1. Inspecter le compresseur et vérifier que le filtre d'air soit propre.
2. Tirer la bague sur la soupape de sûreté et la permettre de retourner à la position normale.

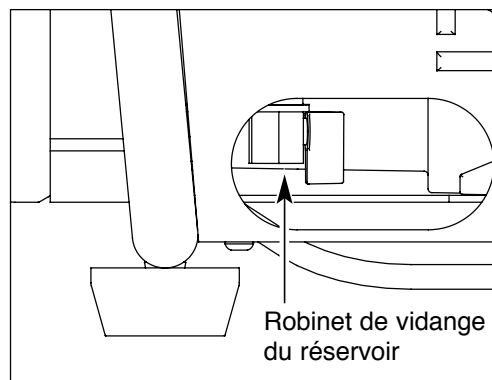
⚠ AVERTISSEMENT:

Si la soupape de sûreté ne fonctionne pas ou s'il y a une fuite d'air après le relâchement de la bague, elle doit être remplacée.

3. Vidanger chaque jour l'humidité du réservoir. Éteindre le compresseur. Dépressuriser le système avant de drainer le réservoir. Drainer l'humidité du réservoir en ouvrant le robinet de vidange sous le réservoir.
4. Mettre le modèle hors circuit (OFF) et nettoyer la poussière et la saleté du moteur, du réservoir, des canalisations d'air et des ailettes de refroidissement de la pompe.

REMARQUE: Il faut vérifier et nettoyer périodiquement le filtre à air dans le boîtier du filtre du côté de la tête et plus souvent s'il est utilisé sous des conditions très poussiéreuses ou lorsqu'il y a beaucoup de brouillard créé par la pulvérisation et circulant près de l'unité.

IMPORTANT: Le modèle doit être situé aussi loin que possible de l'endroit de pulvérisation afin d'éviter l'obstruction du filtre par la sur-pulvérisation.



Entretien (suite)

Réservoir

▲ DANGER:

Ne jamais essayer de réparer ni de modifier un réservoir! Le soudage, perçage ou autre modifications peuvent affaiblir le réservoir et peuvent résulter en dommage de rupture ou d'explosion. Toujours remplacer un réservoir usé, fendu ou endommagé.

AVIS:

Purger le liquide du réservoir quotidiennement.

Inspecter le réservoir au minimum une fois par année. Rechercher les fissures près des soudures. Si une fissure est visible, dissiper la pression du réservoir immédiatement et le remplacer.

Enlevage, Inspection et Remplacement du Filtre

Pour changer un filtre, retirer le couvercle du boîtier du filtre. Si l'élément du filtre est sale, remplacer l'élément ou tout le filtre.

Graissage

Ce compresseur est de type "sans huile" et n'exige pas de graissage.

Entreposage

1. Entreposer les tuyaux et le compresseur dans un endroit frais et sec.
2. Le réservoir doit être purgé d'humidité.
3. Le tuyau doit être débranché et accroché avec les bouts ouverts face en bas afin de faire écouler toute l'humidité.

Horaire d'entretien

Opération	Quotidien	Hebdomadaire
Purger le réservoir	●	
Vérifier le filtre à air		●
Vérifier la soupape de sûreté		●
Souffler la saleté de l'intérieur du moteur		●

Dépannage

⚠ AVERTISSEMENT:

Pour votre propre sécurité ne pas essayer et faire fonctionner le compresseur d'air pendant le dépannage

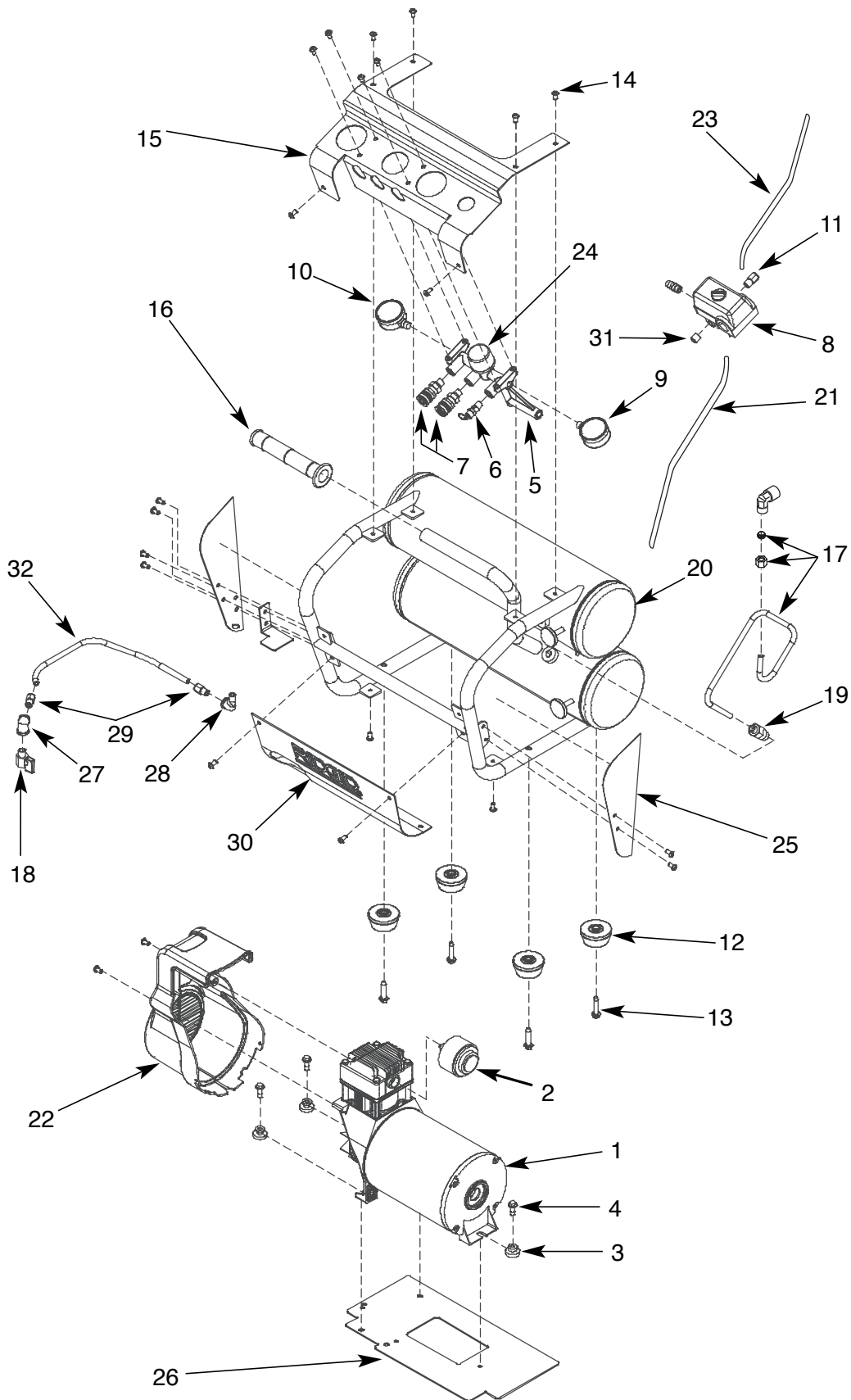
PROBLÈME	CAUSE PROBABLES	SOLUTION
Compresseur ne fonctionne pas	<ol style="list-style-type: none">1. L'unité est branchée à un cordon prolongateur2. Manque de puissance électrique3. Fusible sauté4. Disjoncteur déclenché5. Surcharge thermique déclenché6. Manostat en panne	<ol style="list-style-type: none">1. Quitter le cordon2. Modèle branché? Vérifier le fusible/disjoncteur ou surcharge du moteur3. Remplacer le fusible sauté4. Rajuster et trouver la source du problème5. Le moteur se met en marche une fois refroidit6. Remplacer
Le moteur ronron mais ne peut pas fonctionner ou fonctionne lentement	<ol style="list-style-type: none">1. Tension basse2. L'unité est branchée à un cordon prolongateur3. Bobinage du moteur court-circuité ou ouvert4. Clapet ou déchargeur défectueux	<ol style="list-style-type: none">1. Vérifier avec un voltmètre2. Quitter le cordon3. Remplacer le moteur4. Remplacer ou réparer
Fusibles sautés/le disjoncteur se déclenche à maintes reprises	<ol style="list-style-type: none">1. Taille de fusible incorrect, surcharge2. L'unité est branchée à un cordon prolongateur3. Clapet ou déchargeur défectueux.	<ol style="list-style-type: none">1. Vérifier le type de fusible, utiliser un fusible à retardement. Débrancher les autres appareils électriques du circuit ou faire fonctionner le compresseur sur un circuit unique.2. Quitter le cordon3. Remplacer ou réparer

Dépannage (suite)

PROBLÈME	CAUSE PROBABLES	SOLUTION
Le protecteur de surcharge thermique se déclenche souvent	<ol style="list-style-type: none"> 1. Tension basse 2. Filtre d'air obstrué 3. Ventilation insuffisante/température de l'endroit trop haute 4. L'unité est branchée à un cordon prolongateur 	<ol style="list-style-type: none"> 1. Vérifier avec un voltmètre 2. Nettoyer le filtre (voir la section d'Entretien) 3. Déménager le compresseur à un endroit bien ventilé 4. L'unité est branchée à un cordon prolongateur
Perte de pression dans le réservoir à air quand le compresseur se coupe	<ol style="list-style-type: none"> 1. Raccordements délogés (raccords, tuyaux, etc.) 2. Robinet de purge délogé 3. Fuite du clapet 	<ol style="list-style-type: none"> 1. Vérifier tous les raccordements avec de l'eau savonneuse et les serrer 2. Serrer 3. Démontez l'assemblage du clapet, nettoyez ou remplacez <p>⚠ DANGER: Ne pas démonter le clapet s'il y a de l'air dans le réservoir; purger le réservoir</p>
Humidité excessive dans l'air de décharge	<ol style="list-style-type: none"> 1. Eau excessive dans le réservoir à air 2. Humidité élevée 	<ol style="list-style-type: none"> 1. Purger le réservoir à air 2. Déménager à un endroit moins humide; utiliser un filtre en canalisation d'air
Le compresseur fonctionne continuellement	<ol style="list-style-type: none"> 1. Manostat défectueux 2. Utilisation d'air excessif 	<ol style="list-style-type: none"> 1. Remplacer le manostat 2. Diminuer l'utilisation d'air; le compresseur n'est pas assez puissant pour la demande
Le compresseur vibre	Boulons de montage desserrés	Serrer
Débit d'air plus bas que normal	<ol style="list-style-type: none"> 1. Soupape d'admission en panne 2. Filtre d'admission sale 3. Fuites de raccordements 	<ol style="list-style-type: none"> 1. Faire réparer le modèle par un agent autorisé 2. Nettoyer ou remplacer le filtre d'admission 3. Serrer les raccordements

Notes

Pièces de rechange



Fr 20

Pièces de rechange

Pour les pièces de rechange, appeler le 1-800-4-RIDGID

S'il vous plaît fournir l'information suivante:

-Numéro du modèle

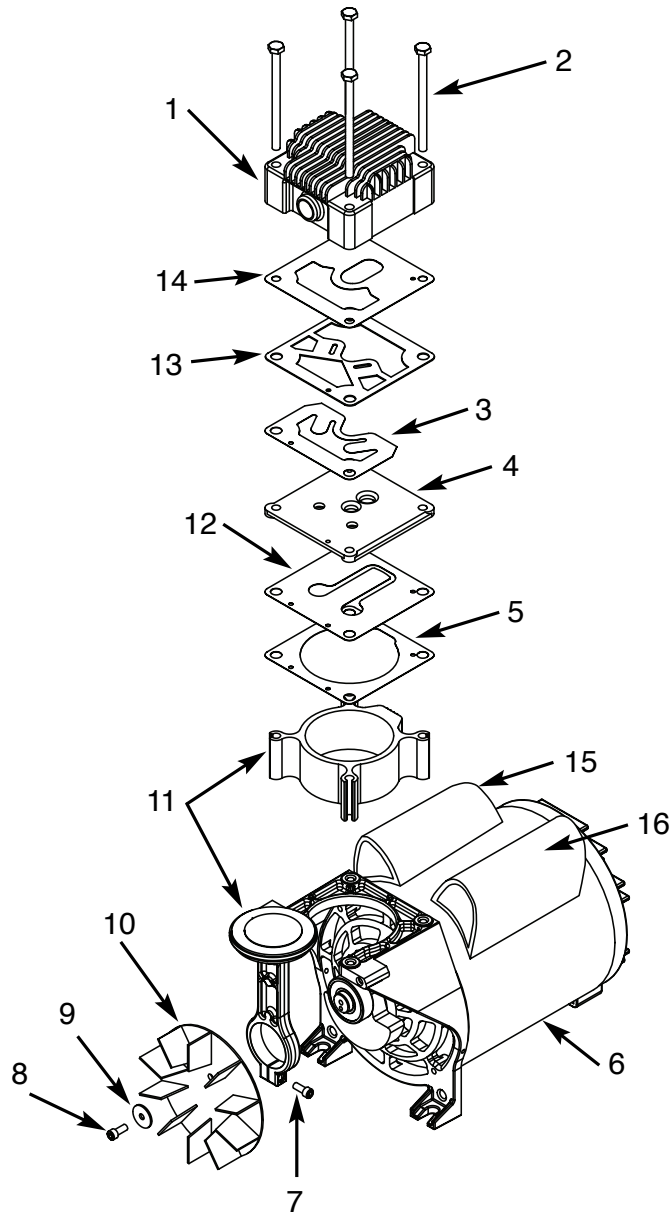
-Numéro de série (si applicable)

-Description de la pièce et son numéro sur la liste de pièces

No. Ref.	No de catalogue	Numéro de pièce	Description	Qte
1	25673	WL373001AV	* Montage pompe/moteur	1
2	20448	ST085700AV	Filtre	1
3	17723	WL003203AV	Monture d'isolement	3
4	17713	ST158000AV	Boulon d'épaulement	3
5	30538	WL038500AV	Collecteur (Compris articles 6, 7, 9 et 10)	1
6	30543	V-215200AV	Soupape de sûreté - 1379 kPa	1
7	17873	HF203300AV	* Raccord	2
8	30548	CW214300AV	Manostat	1
9	30553	GA032401AV	* Manomètre de réservoir	1
10	30558	GA032400AV	* Manomètre de refoulement	1
11	17893	ST119305AV	Raccord de tube	1
12	17853	ST158300AV	Butoir de caoutchouc moulé	4
13	18038	ST116400AV	Boulon à tête hexagonale (hex.)	4
14	17783	ST071626AV	Vis à six lobes à tête ronde	20
15	30563	WL038300AV	Support	1
16	30568	ST195300AV	* Manche	1
17	30573	WL212300AV	Tuyau de décharge (écrou et virole inclus)	1
18	20358	ST085800AV	Robinet de purge	1
19	17728	CV223800AV	Clapet	1
20	30578	AR061100AV	Assemblage de réservoir double	1
21	30583	ST188800AV	Tuyau de déchargement (insert de tuyau, écrou et virole inclus)	1
22	30588	WL038800AV	Couvercle	1
23	25003	ST170800AV	Tube de collecteur (insert de tuyau, écrou et virole inclus)	1
24	—	WL036200AV	Régulateur	1
25	—	N/A	Plaques latérales	2
26	30593	WL038200AV	Support de robinet de purge	1
27	—	N/A	Coude pour tuyau 6,3 mm (1/4 po) NPT	1
28	—	N/A	Coude mâle pour tuyau 6,3 mm (1/4 po) NPT	1
29	—	N/A	Raccord de compression 1/4 po	2
30	30598	WL038700AV	Couvercle avant	1
31	17888	ST022500AV	Bouchon 1/4 po	2
32	30603	ST170900AV	Tuyau de vidange (insert de tuyau, écrou et virole inclus)	1

* Pièces considérées comme sujettes à l'usure normale
N/A = Article normal de quincaillerie ou Pas disponible

Pièces de rechange



Pièces de rechange

Pour les pièces de rechange, appeler le 1-800-4-RIDGID

S'il vous plaît fournir l'information suivante:

- Numéro du modèle
- Numéro de série (si applicable)
- Description de la pièce et son numéro sur la liste de pièces

No. Ref.	No de catalogue	Numéro de pièce	Description	Qte
1	17948	WL010500AV	Culasse	1
2	—	●	Boulon à tête	4
3	—	▲	* Soupape d'échappement	1
4	—	▲	Plaque de soupape	1
5	17958	▲, XA012100AV	* Joint d'étanchéité de cylindre	1
6	17963	N/D	* Montage du moteur (inclus l'assemblage excentrique/roulement) Pour la commande, voir l'assemblage pompe/moteur (pièce No. 1) à la page 19	1
7	—	(Inclus avec le montage piston voir n° 11)	Vis à tête hexagonale, M5 x ,8 x 20	1
8	—	■	Vis à tête héx, M5 x ,8 x 12 (L.H.) vis	1
9	—	■	Rondelle	1
10	—	■	Ventilateur	1
11	17968	WL210300SJ	* Montage de piston (Comprend vis à tête hexagonale)	1
12	—	▲	* Soupape d'admission	1
13	17973	▲, XA010800AV	* Joint d'étanchéité de culasse (joint métallique)	1
14	17978	▲, XA012001AV	* Joint de soupape d'écoulement	1
15		MC507017AV	Condensateur de démarrage (280-520 µF/250 VAC)	1
16		MC506908AV	Condensateur de marche (40 µF/450 VAC)	1
TROUSSES DE PIÈCES DE RÉPARATION				
●	17953	WL602801AJ	Ensemble de boulons de tête (Jeu de 4)	1
▲	17983	WL201405SJ	Néc. de plaque de soupape (Comprend Soupape d'échappement, plaque de soupape, joint d'étanchéité de cylindre, soupape d'admission, joint d'étanchéité de culasse et joint de soupape d'écoulement)	
■	17988	WL209802SJ	Néc. de ventilateur (Comprend Vis à tête héx, rondelle, et ventilateur)	

* Pièces considérées comme sujettes à l'usure normale

N/D = articles de quincaillerie standard

RIDGID®

Catalogue numéro OF45175A

No de modèle OF45175A No de série _____

Les numéros de modèle et de série se trouvent sur votre appareil. Vous devriez enregistrer les numéros de série et de modèle dans un endroit sûr à titre de référence future.

GARANTIE LIMITÉE DE TROIS ANS DE COMPRESSEUR D'AIR RIDGID

Ce produit est fabriqué par Campbell Hausfeld. La marque de commerce et sous licence de Ridgid, Inc. Toutes les communications sous garantie doivent être adressées au service technique du compresseur d'air RIDGID au (numéro sans frais) 1-800-4-RIDGID.

CE QUI EST COUVERT SOUS LA GARANTIE LIMITÉE DE TROIS ANS

Cette garantie couvre tous les défauts de min d'œuvre ou de matériaux dans ce compresseur d'air RIDGID pour une période de trois ans à partir de la date d'achat. Cette garantie est pour ce compresseur d'air précis. Les garanties d'autres produits RIDGID peuvent varier.

COMMENT OBTENIR LE SERVICE

Pour obtenir le service pour ce compresseur d'air RIDGID, vous devez le retourner, frais de transport prépayés, à un centre de service autorisé pour effectuer les réparations de compresseurs d'air RIDGID. Vous pouvez obtenir l'information sur le centre de service le plus près de vous en appelant le (numéro sans frais) 1-800-4-RIDGID ou en visitant le site Web www.ridgid.com. Pour toute demande de service sous garantie, vous devez présenter la documentation de preuve d'achat qui inclut une date d'achat. Le centre de service autorisé réparera tout problème de main d'œuvre et réparera ou remplacera toute pièce défectueuse, à la discrétion de Campbell Hausfeld sans frais pour vous.

CE QUI N'EST PAS COUVERT

Cette garantie est offerte seulement à l'acheteur original au détail et ne peut pas être transférée. Cette garantie ne couvre pas les pièces sujettes à l'usure normale (voir pièces de rechange) ou tout fonctionnement, défaillance ou déchet résultant de mauvaise utilisation, abuse, négligence, changement ou réparation par autres qu'un centre de service autorisé pour la réparation de compresseurs d'air RIDGID. Les matériaux courants tels qu'huile, filtres, etc. ne sont pas couverts sous cette garantie. Les composants et moteurs à essence sont expressément exclus de la couverture et vous devez vous conformer à la garantie du fabricant du moteur qui est fournie avec le produit. **CAMPBELL HAUSFELD N'OFFRE AUCUNE GARANTIE, DÉCLARATION OU PROMESSE QUANT À LA QUALITÉ OU LA PERFORMANCE DE SES COMPRESSEURS D'AIR AUTRES QUE CEUX INDICÉS SPÉCIFIQUEMENT DANS CETTE GARANTIE. RIDGID INC N'OFFRE AUCUNE GARANTIE OU DÉCLARATION, EXPRESSE OU IMPLICITE Y COMPRIS CE QUI EST INDICÉ PLUS BAS.**

LIMITES SUPPLÉMENTAIRES

Dans la mesure permise par la loi applicable, toutes les garanties implicites, y compris les garanties DE COMMERCIALITÉ et D'ADAPTATION À UN USAGE PARTICULIER, sont déclinées. Toutes les garanties implicites, y compris les garanties de commercialité ou d'adaptation à un usage particulier, qui ne peuvent pas être déclinées sous la loi de l'État sont limitées à trois ans à partir de la date d'achat. Campbell Hausfeld n'est pas responsable des dommages directs, indirects, accidentels, spéciaux ou consécutifs. Certains États ou certaines Provinces n'autorisent pas de limitations de durée pour les garanties implicites, ni l'exclusion ni la limitation des dommages fortuits ou indirects. Les limitations précédentes peuvent donc ne pas s'appliquer. Cette garantie vous donne des droits juridiques spécifiques et vous pouvez aussi avoir d'autres droits qui peuvent varier d'une juridiction à l'autre.

QUESTIONS OU COMMENTAIRES

APPELER LE 1-800-4-RIDGID

www.ridgid.com

En appelant, veuillez avoir à portée de la main votre numéro de modèle et votre numéro de série.

Free Manuals Download Website

<http://myh66.com>

<http://usermanuals.us>

<http://www.somanuals.com>

<http://www.4manuals.cc>

<http://www.manual-lib.com>

<http://www.404manual.com>

<http://www.luxmanual.com>

<http://aubethermostatmanual.com>

Golf course search by state

<http://golfingnear.com>

Email search by domain

<http://emailbydomain.com>

Auto manuals search

<http://auto.somanuals.com>

TV manuals search

<http://tv.somanuals.com>