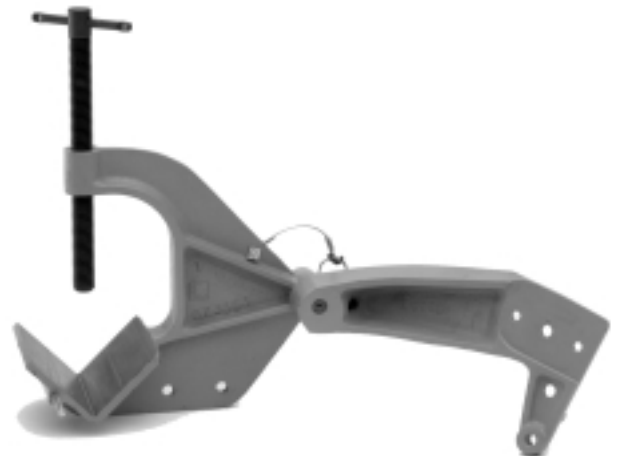


932VS 32V

OPERATOR'S MANUAL

- Pour français voir page 11
- Para el castellano vea la página 23

Portable Band Saw Band Saw Vise



⚠️ WARNING!

Read this Operator's Manual carefully before using this tool. Failure to understand and follow the contents of this manual may result in electrical shock, fire and/or serious personal injury.

RIDGID®

Table of Contents

Recording Form for Machine Model and Serial Number 1

General Safety Information

 Work Area Safety 2

 Electrical Safety 2

 Personal Safety 2

 Tool Use and Care 3

 Service 3

Specific Safety Information

 Tool Safety 3

Description, Specifications and Equipment

 Description 4

 Specifications 4

 Standard Equipment 4

 Accessories 4

Machine Operation Instructions

 932VS Band Saw 4

 To Start and Stop Saw 5

 Selecting the Blade 5

 Band Saw Blades 5

 Which Blade to Use 5

 Blade Care 5

 Cutting Procedures 5

 932VS Band Saw with 32V Vise 6

 To Assemble 32V Vise 6

 To Use 32V Vise 6

 Cutting Procedures Using 32V Vise 7

Special Procedures

 Changing Saw Blades 7

 To Adjust Blade Tracking 8

Maintenance Instructions

 Motor Brush Inspection and Lubrication 9

 Saw Ventilation 9

Machine Storage 9

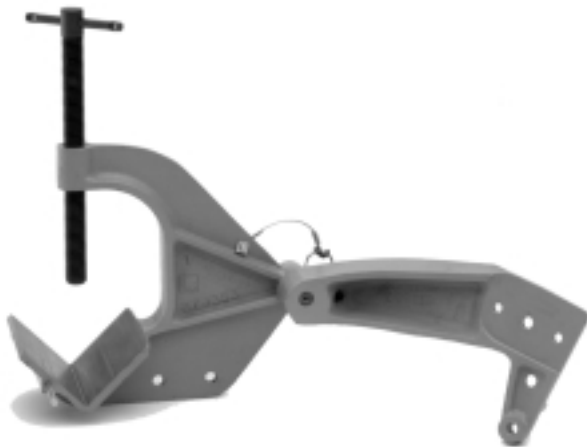
Service and Repair 9

Wiring Diagram 10

Lifetime Warranty Back Cover



932VS Portable Band Saw 32V Band Saw Vise



932VS Portable Band Saw	
Record Serial Number below and retain product serial number which is located on nameplate.	
Serial No.	

General Safety Information

WARNING! Read and understand all instructions. Failure to follow all instructions listed below may result in electric shock, fire, and/or serious personal injury.

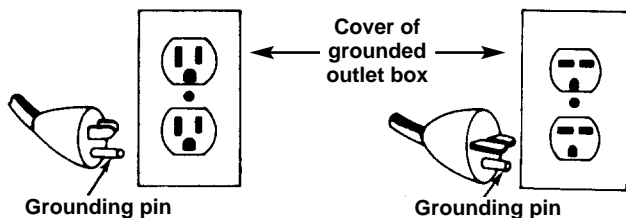
SAVE THESE INSTRUCTIONS!

Work Area Safety

- **Keep your work area clean and well lit.** Cluttered benches and dark areas invite accidents.
- **Do not operate power tools in explosive atmospheres, such as in the presence of flammable liquids, gases or dust.** Tools create sparks which may ignite the dust or fumes.
- **Keep bystanders, children, and visitors away while operating a power tool.** Distractions can cause you to lose control.
- **Do not let visitors contact the tool or extension cord.** Such preventative measures reduce the risk of injury.

Electrical Safety

- **Grounded tools must be plugged into an outlet, properly installed and grounded in accordance with all codes and ordinances. Never remove the grounding prong or modify the plug in any way. Do not use any adapter plugs. Check with a qualified electrician if you are in doubt as to whether the outlet is properly grounded.** If the tools should electrically malfunction or break down, grounding provides a low resistance path to carry electricity away from the user.



- **Avoid body contact with grounded surfaces such as pipes, radiators, ranges and refrigerators.** There is an increased risk of electrical shock if your body is grounded.
- **Don't expose power tools to rain or wet conditions.** Water entering a power tool will increase the risk of electrical shock.
- **Do not abuse cord. Never use the cord to carry the tools or pull the plug from an outlet. Keep cord away from heat, oil, sharp edges or moving parts. Replace damaged cords immediately.** Damaged cords increase the risk of electrical shock.

- **When operating a power tool outside, use an outdoor extension cord marked "W-A" or "W".** These cords are rated for outdoor use and reduce the risk of electrical shock.
- **Connect the tool to an AC power supply that matches the name plate specifications.** Incorrect voltage supply can cause electrical shock or burns.
- **Use only three-wire extension cords which have three-prong grounding plugs and three-pole receptacles which accept the machines plug.** Use of other extension cords will not ground the tool and increase the risk of electrical shock.
- **Use proper extension cords.** (See chart.) Insufficient conductor size will cause excessive voltage drop and loss of power.

Minimum Wire Gauge for Cord Set			
Nameplate Amps	Total Length (in feet)		
	0 – 25	26 – 50	51 – 100
0 – 6	18 AWG	16 AWG	16 AWG
6 – 10	18 AWG	16 AWG	14 AWG
10 – 12	16 AWG	16 AWG	14 AWG
12 – 16	14 AWG	12 AWG	NOT RECOMMENDED

Personal Safety

- **Stay alert, watch what you are doing and use common sense when operating a power tool. Do not use tool while tired or under the influence of drugs, alcohol, or medications.** A moment of inattention while operating power tools may result in serious personal injury.
- **Dress properly. Do not wear loose clothing or jewelry. Contain long hair. Keep your hair, clothing, and gloves away from moving parts.** Loose clothes, jewelry, or long hair can be caught in moving parts.
- **Avoid accidental starting. Be sure switch is OFF before plugging in.** Carrying tools with your finger on the switch or plugging tools in that have the switch ON invites accidents.
- **Remove adjusting keys or switches before turning the tool ON.** A wrench or a key that is left attached to a rotating part of the tool may result in personal injury.
- **Do not over-reach. Keep proper footing and balance at all times.** Proper footing and balance enables better control of the tool in unexpected situations.
- **Use safety equipment. Always wear eye protection.** Dust mask, non-skid safety shoes, hard hat, or hearing protection must be used for appropriate conditions.

▲ WARNING Some dust created by power sanding, sawing, grinding, drilling, and other construction activities contains chemicals known to the State of California to cause cancer, birth defects, or other reproductive harm. Some examples of these chemicals are:

- Lead from lead-based paints
- Crystalline silica from bricks and cement and other masonry products
- Arsenic and chromium from chemically-treated lumber

Your risk from these exposures varies, depending on how often you do this type of work. To reduce your exposure to these chemicals: work in a well ventilated area, and work with approved safety equipment, such as those dust masks that are specially designed to filter out microscopic particles.

Tool Use and Care

- **Use clamp or other practical way to secure and support the workpiece to a stable platform.** Holding the work by hand or against your body is unstable and may lead to loss of control.
- **Do not force tool. Use the correct tool for your application.** The correct tool will do the job better and safer at the rate for which it is designed.
- **Do not use tool if switch does not turn it ON or OFF.** Any tool that cannot be controlled with the switch is dangerous and must be repaired.
- **Disconnect plug from the power source before making any adjustments, changing accessories, or storing the tool.** Such preventive safety measures reduce risk of starting tool accidentally.
- **Store idle tools out of the reach of children and other untrained persons.** Tools are dangerous in the hands of untrained users.
- **Maintain tools with care. Keep cutting tools sharp and clean.** Properly maintained tools with sharp cutting edges are less likely to bind and are easier to control.
- **Check for misalignment or binding of moving parts, breakage of parts, and any other condition that may affect the tools operation. If damaged, have the tool serviced before using.** Many accidents are caused by poorly maintained tools.
- **Use only accessories that are recommended by the manufacturer for your model.** Accessories that may be suitable for one tool may become hazardous when used on another tool.
- **Inspect tool and extension cords periodically and replace if damaged.** Damaged cords increase the risk of electrical shock.

- **Keep handles dry and clean; free from oil and grease.** This allows for better control of the tool.

Service

- **Tool service must be performed only by qualified repair personnel.** Service or maintenance performed by unqualified repair personnel could result in injury.
- **When servicing a tool, use only identical replacement parts. Follow instructions in the Maintenance Section of this manual.** Use of unauthorized parts or failure to follow maintenance instructions may create a risk of electrical shock or injury.
- **Follow instructions for lubricating and changing accessories.** Accidents are caused by poorly maintained tools.

Specific Safety Information

▲ WARNING

Read this operator's manual carefully before using the machine. Failure to understand and follow the contents of this manual may result in electrical shock, fire and/or serious personal injury.

Call the Ridge Tool Company, Technical Service Department at (800) 519-3456 if you have any questions.

Tool Safety

- **Do not alter or misuse tool.** Other uses may increase the risk of injury.
- **Always use the blade recommended for the material being cut.** Recommended blades that are sharp are less likely to bind and tool is easier to control.
- **Secure workpiece before attaching vise. Clamp work vise securely to the work piece before attaching band saw to vise.** To maintain control, workpiece must support weight of work vise and band saw without movement.
- **Stay clear of workpieces that may fall after cut.** May result in injury.
- **Maintain a firm grip on band saw handle while making a cut. Support saw weight as cut is completed.** Will prevent losing control of the saw.
- **Turn band saw OFF and disconnect from power source while mounting and dismounting the saw from work vise.** Prevents accidental starting.
- **Keep hands away from cutting area when operating saw.** Fingers or hands can be cut.
- **Do not use if guards are damaged or removed.**

Exposed blades and moving parts increases the risk of injury.

- **Do not attach the work vise to the end of the work-piece that is being cut off.** Prevents saw from falling after cut.
- **Do not operate band saw and work vise without safety clip installed.** Prevents separation of band saw from work vise.
- **Use extreme caution when cutting magnesium. Never use water or fire extinguisher to fight a magnesium fire - use only G-1 Power (Graphite).** Chips can ignite resulting in a fire hazard.
- **Exercise extreme caution when cutting blind into conduit and pipe. Be certain the object being cut does not contain electrical wires, gases or water.** Could create a hazardous condition resulting in serious injury.

SAVE THESE INSTRUCTIONS!

Description, Specifications and Accessories

Description

The RIDGID No. 932VS Portable Band Saw will cut most ferrous and non ferrous bar, tubing and irregular shaped materials. Its 4^{3/4}" capacity will allow cutting nominal size 4" soil pipe or 4" conduit. It features ball and needle bearing construction throughout which assures long and continued service.

Specifications

Cutting Capacity4^{3/4}" Round Stock,
4^{1/2}" x 4^{3/4}" Rectangular Stock,

Motor

No.....932VS
 TypeUniversal
 Volts115 VAC, 50-60 Hz
 Amps6
 No Load
 Speed SFMVariable 100-245

DriveSpur Gear and Chain

Blade Size1/2" x .020 x 44^{7/8}"

Weight14 Lbs.

Standard Equipment

- Steel Carrying Case
- Bi-Metal Blade
- Blade Wax

Accessories

No. 32V Work Vise

When using 32V Vise, the maximum size that may be cut is as follows:

- Rounds – 4^{1/2}" diameter
- Squares – 3" x 3"
- Angles – 3" x 3"

▲ CAUTION

Cutting of other shapes is not recommended.



Figure 1 – Variable Speed Control

The control knob is numbered "1" through "6" with "1" being the slowest speed (approximately 90 SFM) and "6" being the fastest speed (approximately 240 SFM). The speed control may be adjusted with or without the motor running.

SFM-Surface Feet per Minute

Operating Instructions

▲ WARNING Operator should be thoroughly familiar with preceding Safety Precautions before attempting to operate this equipment.

▲ WARNING Do not operate Saw at voltages that are not within correct limits. Check specification plate on saw for type of power circuit on which it will operate.

932VS Band Saw

To Start and Stop Saw

1. Make sure power circuit voltage is the same as that shown on the specification plate on the saw. Connect machine to power circuit.
2. Squeeze trigger switch *Figure 1* to START motor. Release trigger to STOP motor.
3. A LOCK button *Figure 1* is provided to keep the saw running without holding the switch trigger ON. To LOCK the switch trigger ON, squeeze the trigger as far

as it will go and push in the lock button and release trigger.

To UNLOCK the lock, squeeze trigger allowing lock button free to spring out and release trigger.

- The 932VS is equipped with an adjustable variable speed control. The speed is adjusted by turning the control knob. (Figure 1)

Selecting the Blade

Band Saw Blades

Model 932VS Band Saw requires blades that are .020 thick; 1/2" wide; and 44 7/8" long.

NOTE! DO NOT USE blades for stationary band saws. Blades for stationary band saws are of different thickness than above and WILL NOT fit the precision blade guides on portable band saws.

REFER TO THE BLADE SELECTION CHART (Figure 11) for types of blades available and their recommended usages. This chart is provided as a guide only. Due to the many materials that can be cut, operator's experience will determine which blade will have the longest life for any specific operation.

Which Blade to Use

In general, select a blade which will allow at least two teeth to be engaged in the material thickness. The thinner or the harder the material, the finer the blade teeth should be. For thicker or softer material, a blade with coarser blade teeth is recommended. The hi-speed steel blades stay sharp longer than alloy steel blades.

Blade Care

Blade life will be extended by using a wax-type cutting lubricant as supplied with saw. Keep sharp blade in saw.

CAUTION Under no condition should a liquid coolant be used with this saw. The bearings and rubber tires on pulleys may be damaged as a result.

NOTE! Stick wax is especially helpful when cutting large sections of aluminum and soft brass because it will help keep gullets clean. On hard materials, stick wax will help keep blade cool so hardness will not be drawn from teeth. The use of this lubricant promotes a cleaner, smoother surface on sides of cut.

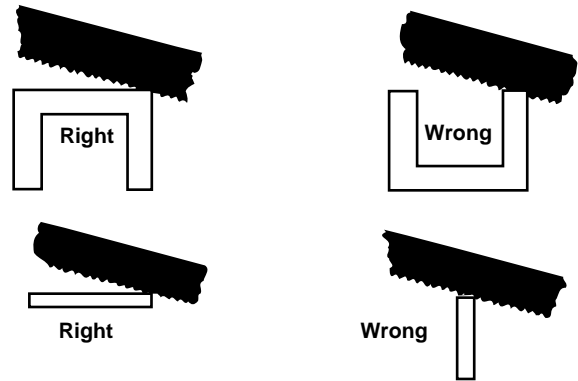


Figure 2 – Work Properly Positioned For Sawing

Cutting Procedures

- Be sure work to be cut is held securely and is properly positioned so that greatest number of teeth will contact work when cutting. (Figure 2)
- Plug saw power cord into properly grounded electrical outlet.
- Set variable speed switch in desired position. Speed CAN be changed while machine is running.
- Hold saw in a natural position away from work.
- Start saw by depressing switch trigger in rear handle.
- Keeping blade rear guide stop firmly against work and lower saw to cut material.

NOTE! Let weight of saw furnish cutting pressure. Do not bear down during cutting operations. This will slow down speed of blade and reduce cutting efficiency.

- Upon completion of cut, hold Saw firmly so it does not fall against work.
- Release switch trigger and unplug power cord.

NOTE! After prolonged cutting, wax will cling to pulleys of Saw. This does not affect operation of Saw. All that is necessary is to unplug Saw from power source and wipe wax from pulleys.

932VS Band Saw with 32V Vise

To Assemble 32V Vise

⚠ WARNING

Saw must be disconnected from power source before assembling the 32V Vise.

1. Remove two screws (A) and remove knob (C) and screw (B) (Figure 3).

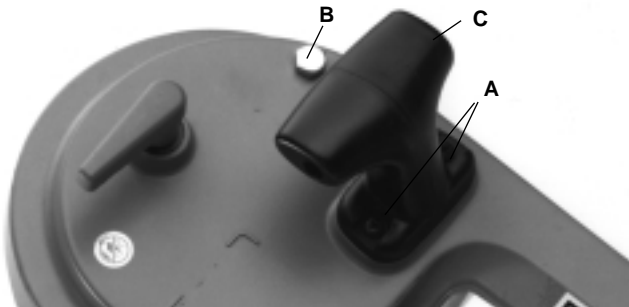


Figure 3

2. Position vise mounting bracket to band saw (Figure 4) and secure with two hex head bolts furnished with 32V Vise. (Torque: 40 to 50 in. lbs.)

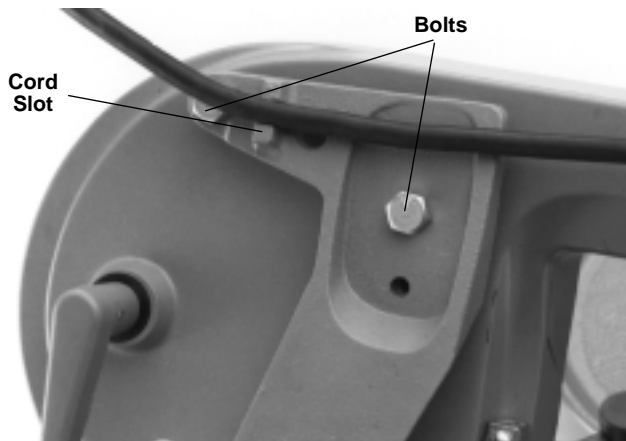


Figure 4

3. Reassemble knob (C), (Figure 3), using two longer mounting screws furnished with 32V Vise.
4. Position power cord to slot as shown in Figure 4.

To Use 32V Vise

⚠ WARNING Make sure band saw is disconnected from power source before securing to the workpiece.

1. Secure the workpiece to prevent movement during the cutting operation.

⚠ WARNING The workpiece must be secured to support the weight of the work vise and the band saw.

2. Position the work vise on the workpiece and secure by tightening the clamp screw firmly (see Figure 5). The clamp must support the band saw.

NOTE! The vise should be positioned so that the clamp screw is vertical and above the workpiece.

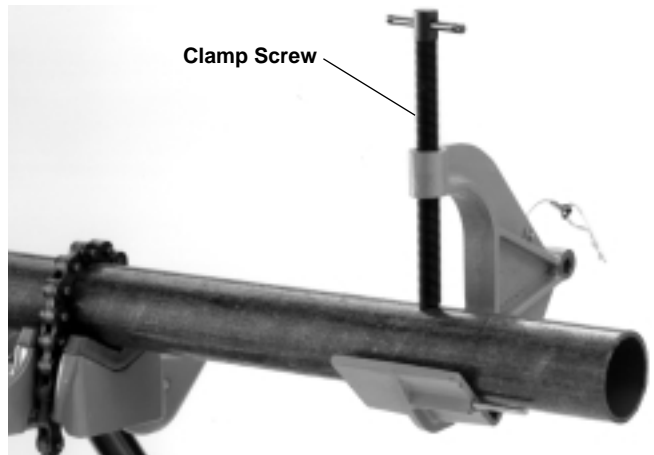


Figure 5

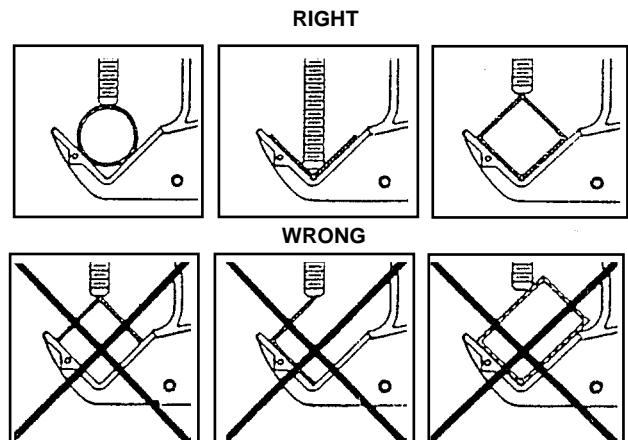


Figure 6

3. Attach band saw to work vise.

⚠ WARNING Keep hands away from saw blade when attaching and removing band saw.

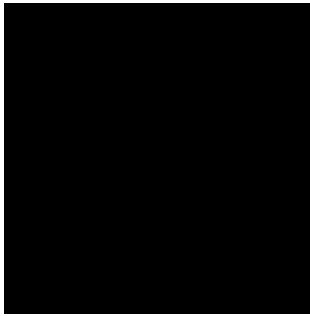


Figure 7A



Figure 7B

- A. Insert mounting bracket pin through hole in work vise (Figure 7A).
- B. Install safety clip and gently lower saw until it rests on workpiece (Figure 7B).

⚠ WARNING Safety clip must be installed to prevent separation of band saw from work vise during operation.

Cutting Procedures Using 32V Vise

⚠ WARNING Make sure band saw trigger switch is in OFF position. Connect saw to power source. Only use the vise at heights where a firm grip can be maintained on the saw handle throughout the cut.

1. Grasp band saw handle and lift so blade is clear of workpiece.
2. Depress trigger switch to start saw. Make any necessary speed adjustment.



Figure 8

3. Slowly lower saw until blade engages work. Maintain a firm grip on saw handle while saw completes the cut under its own weight. **DO NOT FORCE** the saw through the workpiece. Support saw weight as cut is completed.

NOTE! During the first cut; the index pin (Figure 8) will also be cut OFF. On subsequent cuts, the index pin is used to accurately position the vise to the workpiece so that the cut will follow a predetermined line.

4. As soon as the cut is completed, release trigger switch and disconnect saw from power source.
5. Remove safety clip and lift saw from work vise.
6. Release clamp and remove work vise from workpiece.

NOTE! It may be necessary to add shims (see Figure 9) between the bracket and the saw to produce a 90° cut. See the following instructions: Shim washers are supplied in the hardware package.

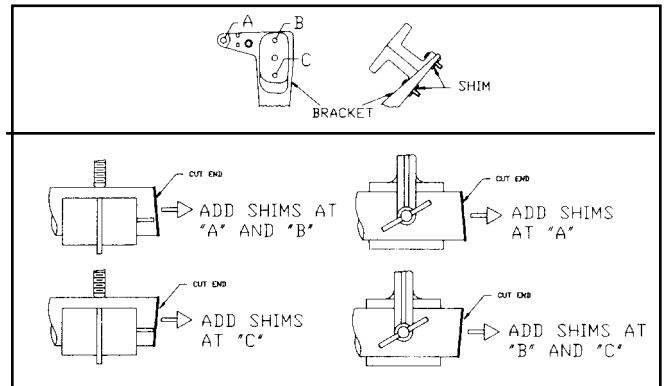


Figure 9

Special Procedures

Changing Saw Blades

⚠ WARNING Make certain that power cord is unplugged before changing blade.

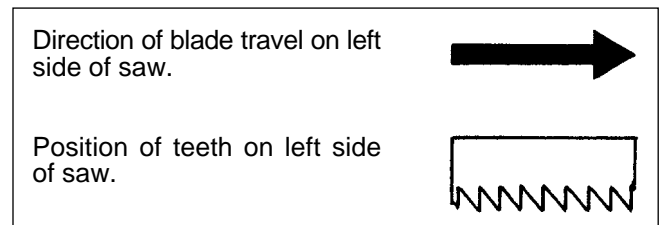


Figure 10 – Correct Positioning of Saw Blade.

1. Turn blade tension handle at front of saw 180 degrees clockwise so it points **FORWARD** to release tension on saw blade.
2. Remove blade, first from pulleys and then from guides.
3. Insert replacement blade between rollers and faces of guides.

NOTE! Make sure blade teeth on left side of saw point toward rear of saw. If they should point toward front of saw, remove blade and turn inside out. (Figure 10)

4. Hold blade in place between rollers and guides with one hand while positioning it around pulleys with the other hand.
5. Turn blade tension handle at front of saw counter-clockwise toward rear of saw. Blade will be securely held by the pulleys.
6. Work switch trigger a few times to make sure blade operates freely and spring returns to **OFF** position.

To Adjust Blade Tracking

This band saw is equipped with an adjustable blade tracking mechanism. When properly adjusted: the back edge of the blade will run lightly against at least one of the back-up rollers, but will not press heavily against the roller. If the blade fails to track correctly, adjust as follows:

⚠ WARNING

DISCONNECT SAW FROM POWER SOURCE.

1. Use a $\frac{9}{16}$ " wrench to loosen the adjustment locking nut (See Figure 12), by turning it counter-clockwise, one or two turns.
2. Use a flat screwdriver to turn the tracking screw $\frac{1}{4}$ turn. Turning the screw **CLOCKWISE** will move the blade further up, toward the blade guide rollers. Turning the screw **COUNTERCLOCKWISE** will move the blade down, away from the blade guide rollers.

3. Tighten the adjustment locking nut.
4. Following the directions in **TO START AND STOP SAW**, operate the saw and observe blade tracking.
5. Repeat steps 1 through 5 as necessary to achieve proper tracking.



Figure 12

Blade Recommendation Chart	Material Thickness To Be Cut	Teeth Per Inch	Type
Aluminum, Angle Iron, Cast Iron, Bronze, Brass, Copper, Galvanized Pipe, Mild Steel. Also Electric Cable to 3 1/4" Diameter	5/32" to 1/2"	14	Carbon Steel
Angle Iron, Bronze, Brass, Copper, Galvanized Pipe, Thin Wall Tubing, Mild Steel	1/8" to 1/4"	18	
Angle Iron, Bronze, Brass, Copper, Cast Iron, Galvanized Pipe, Chrome, Tungsten & Stainless Steel at Slow Speed	3/32" to 3/8"	24	
Aluminum, Angle Iron, Cast Iron, Bronze, Brass, Copper, Galvanized Pipe, Mild Steel. Tougher Steels, Chrome Steel and Tungsten Steel at Slow Speed. Also Electric Cable	5/32" to 3/4"	14	Bi-Metal
Angle Iron, Bronze, Brass, Copper, Galvanized Pipe, Thin Wall Tubing, Mild Steel. Chrome Steel and Tungsten Steel at Slow Speed	1/8" to 1/2"	18	
Angle Iron, Bronze, Brass, Copper, Cast Iron, Galvanized Pipe Mild Steel. Chrome, Tungsten & Stainless Steel at Slow Speed	3/32" to 1/8"	24	

Figure 11 – Blade Selection Chart

Maintenance Instructions

▲ WARNING Always unplug power cord before performing any service on this tool.

Motor Brush Inspection and Lubrication

At approximately 100 hours of use, take or send your tool to your nearest RIDGID Authorized Service Center to be thoroughly cleaned and inspected; worn parts replaced, when necessary; relubricate with fresh lubricant, if required; re-assemble with new brushes; and performance tested.

Any loss of power before the above maintenance check may indicate the need for immediate servicing of your tool. **DO NOT CONTINUE TO OPERATE TOOL UNDER THIS CONDITION** if proper operating voltage is present. Return your tool to the Service Station for immediate service.

Saw Ventilation

Keep inlet and outlet air passages clean to insure a cool running motor. Blow out motor cooling air passages occasionally to help keep motor clean and free of dirt.

Machine Storage

▲ WARNING Motor-driven equipment must be kept indoors or well covered in rainy weather. Store the saw in a locked area that is out of reach of children and people unfamiliar with band saws. This band saw can cause serious injury in the hands of untrained users.

Service and Repair

▲ WARNING



The “Maintenance Instructions” will take care of most of the service needs of this saw. Any problems not addressed by this section should only be handled by an authorized RIDGID service technician.

Tool should be taken to a RIDGID Independent Authorized Service Center or returned to the factory. All repairs made by Ridge service facilities are warranted against defects in material and workmanship.

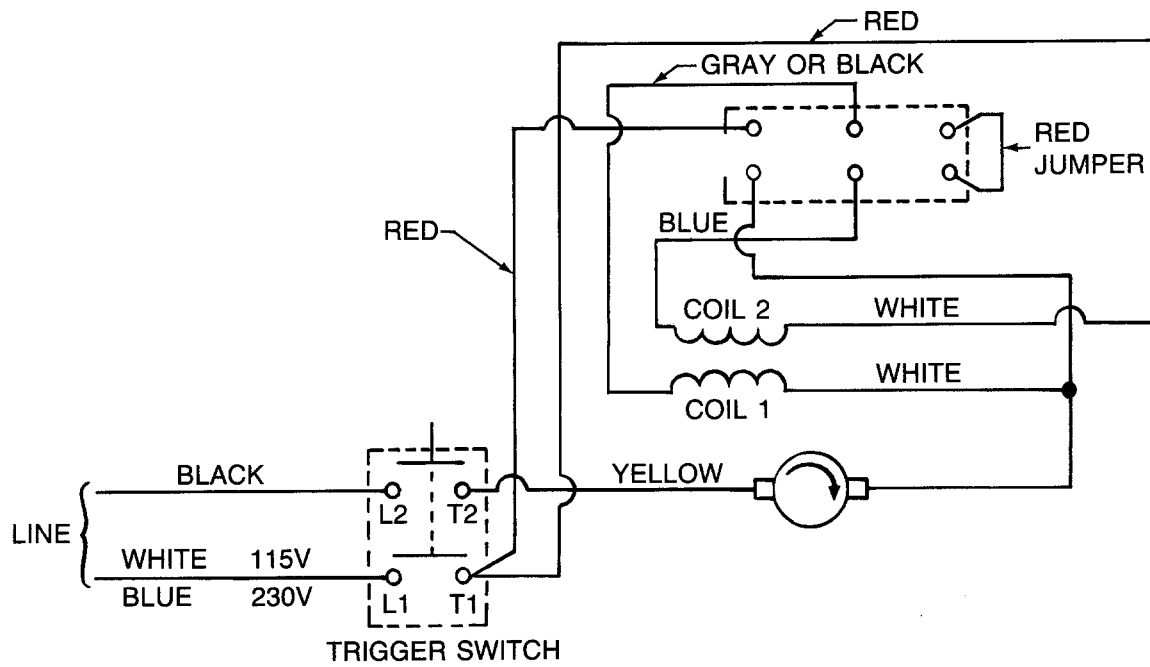
▲ WARNING When servicing this saw, only identical replacement parts should be used. Failure to follow these instructions may create a risk of electrical shock or other serious injury.

If you have any questions regarding the service or repair of this saw, call or write to:

Ridge Tool Company
 Technical Service Department
 400 Clark Street
 Elyria, Ohio 44035-6001
 Tel: (800) 519-3456
 E-mail: TechServices@ridgid.com

For name and address of your nearest Independent Authorized Service Center, contact the Ridge Tool Company at (800) 519-3456 or <http://www.ridgid.com>

Wiring Diagram Model 932 (115/230V, 60/50 Hz)





Scie à ruban portative 932VS

Etau de scie à ruban 32V



Scie à ruban portative 932VS

Inscrivez ci-dessous le numéro de série de la plaque signalétique l'appareil pour future référence.

N° de
série :

Table des matières

Formulaire d'enregistrement des numéros de modèle et de série de l'appareil	11
Consignes générales de sécurité	
Sécurité du chantier	13
Sécurité électrique.....	13
Sécurité personnelle.....	13
Utilisation et entretien des outils.....	14
Réparations	14
Consignes de sécurité spécifiques	
Sécurité de l'appareil.....	15
Description, spécifications et accessoires	
Description	15
Spécifications	15
Equipements de base.....	16
Accessoires	16
Utilisation de l'appareil	
Scie à ruban 932VS	16
Mise en marche et arrêt de la scie	16
Sélection de la lame appropriée.....	16
Lames de scie à ruban	16
Sélection des lames	16
Entretien des lames.....	16
Méthode de coupe.....	17
Scie à ruban 932VS avec étau 32V	17
Assemblage de l'étau 32V.....	17
Utilisation de l'étau 32V	17
Coupe à l'aide de l'étau 32V	18
Opérations particulières	
Remplacement des lames.....	19
Réglage de l'alignement des lames	19
Entretien	
Inspection des balais du moteur et lubrification	20
Ventilation de la scie	20
Stockage de l'appareil	20
Entretien et réparations	21
Schéma électrique	22
Garantie à vie	Page de garde

Consignes de sécurité générales

MISE EN GARDE ! Familiarisez-vous avec l'ensemble des instructions ci-devant. Le respect des consignes suivantes vous permettra d'éviter les risques de choc électrique, d'incendie et de blessure corporelle grave.

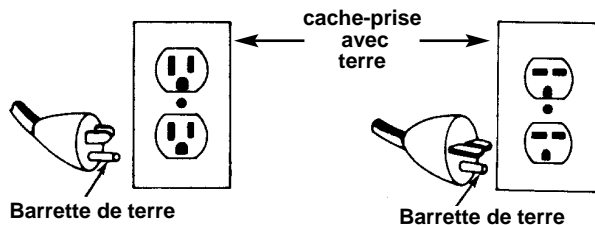
CONSERVEZ CES INSTRUCTIONS !

Sécurité du chantier

- **Gardez le chantier propre et bien éclairé.** Les établis encombrés et les locaux mal éclairés sont une invitation aux accidents.
- **N'utilisez pas d'appareils électriques dans un milieu explosif tel qu'en présence de liquides, de gaz ou de poussières inflammables.** L'appareil produit des étincelles qui pourraient provoquer la combustion des poussières et vapeurs.
- **Gardez les tiers, les enfants et les visiteurs à l'écart lorsque vous utilisez un appareil électrique.** Les distractions peuvent vous faire perdre le contrôle de l'appareil.
- **Ne laissez pas les visiteurs toucher l'appareil ou sa rallonge électrique.** De telles mesures préventives réduisent les risques d'accident.

Sécurité électrique

- **Les appareils électriques avec terre doivent être branchés sur une prise avec terre appropriée et conforme aux normes en vigueur. Ne jamais enlever la barrette de terre ou tenter de modifier la fiche d'aucune manière. Ne jamais utiliser d'adaptateurs de prise. Consultez un électricien qualifié en cas de doute sur la bonne mise à la terre de la prise.** Dans le cas d'une panne ou d'une défaillance électrique de l'appareil, la terre assure un passage de faible résistance qui éloigne le courant électrique de l'opérateur.



- **Évitez d'entrer en contact avec les objets reliés à la terre tels que les canalisations, les radiateurs, les cuisinières et les réfrigérateurs.** Tout contact avec des masses augmente les risques de choc électrique.
- **N'exposez pas les appareils électriques aux intempéries ou à l'eau.** Toute pénétration d'eau à

l'intérieur de l'appareil augmente les risques de choc électrique.

- **Ne maltraitez pas le cordon électrique de l'appareil. Ne jamais porter l'appareil par son cordon électrique, ni tirer sur celui-ci pour débrancher l'appareil. Gardez le cordon à l'abri des sources de chaleur, de l'huile, des angles tranchants et des pièces mobiles. Remplacez immédiatement tout cordon endommagé.** Les cordons endommagés augmentent les risques de choc électrique.
- **A l'extérieur, utilisez une rallonge électrique portant l'indication "W-A" ou "W".** Ce type de cordon est prévu pour être utilisé à l'extérieur et réduit les risques de choc électrique.
- **Branchez l'appareil sur une source d'alimentation à courant alternatif qui correspond aux indications de la plaque signalétique de l'appareil.** Une tension électrique incorrecte peut entraîner des chocs et des brûlures électriques.
- **Utilisez uniquement des rallonges à trois fils équipées de fiches et de prises avec terre capables de recevoir la fiche de l'appareil.** L'utilisation d'autres types de rallonge n'assurerait pas la mise à la terre de l'appareil et augmenterait les risques de choc électrique.
- **Utilisez la section de rallonge appropriée (voir le tableau).** Une section de conducteurs insuffisante entraînera des pertes de charge excessive et un manque de puissance.

Sections minimales des fils conducteurs des rallonges			
Ampères indiqués sur la plaque signalétique	Longueur totale (en pieds)		
	0 à 25	26 à 50	51 à 100
0 à 6	18 AWG	16 AWG	16 AWG
6 à 10	18 AWG	16 AWG	14 AWG
10 à 12	16 AWG	16 AWG	14 AWG
12 à 16	14 AWG	12 AWG	Déconseillé

Sécurité personnelle

- **Restez attentif, faites attention à ce que vous faites et faites preuve de bon sens lorsque vous utilisez un appareil électrique. N'utilisez pas ce type d'appareil lorsque vous êtes fatigués ou lorsque vous prenez des médicaments, de l'alcool ou des produits pharmaceutiques.** Un instant d'inattention peut entraîner de graves blessures lorsque l'on utilise un appareil électrique.
- **Habillez-vous de manière appropriée. Ne portez pas de vêtements amples ni de bijoux. Attachez les cheveux longs. Gardez vos cheveux, vos vête-**

ments et vos gants à l'écart des pièces mobiles. Les vêtements amples, les bijoux et les cheveux longs peuvent s'entraver dans les pièces mobiles.

- **Evitez les risques de démarrage accidentel. Assurez-vous que l'interrupteur marche/arrêt est en position OFF (arrêt) avant de brancher l'appareil.** Porter l'appareil avec un doigt sur la gâchette ou le brancher lorsque son interrupteur est en position de marche est une invitation aux accidents.
- **Enlevez les clés de réglage avant de mettre l'appareil en marche.** Une clé restée sur un des mécanismes rotatifs de l'appareil peut être dangereuse.
- **Ne vous mettez pas en porte-à-faux. Maintenez une bonne assise et un bon équilibre à tout moment.** Une bonne assise et un bon équilibre vous permettent de mieux contrôler l'appareil en cas d'imprévu.
- **Utilisez les équipements de sécurité appropriés. Portez systématiquement une protection oculaire.** Un masque à poussière, des chaussures de sécurité, le casque et/ou une protection auditive doivent être portés selon les conditions d'utilisation.

⚠ MISE EN GARDE Certaines poussières émises durant le ponçage, le sciage, le meulage ou le perçage électrique et par autres activités de construction contiennent des produits chimiques que l'état de la Californie a reconnus comme étant cancérigène ou responsable de malformations congénitales et autres maladies du système reproductif. Parmi ces produits chimiques se trouvent :

- Le plomb contenu dans les peintures à base de plomb;
- La silice cristalline contenue dans les briques, le ciment et autres produits de maçonnerie ;
- L'arsenic et le chrome provenant des bois traités.

Les risques encourus dépendent de la fréquence d'exposition à ce type de travail. Afin de réduire les risques d'exposition à ces produits chimiques : travaillez dans un local bien ventilé et portez des équipements de sécurité homologués, tels que les masques spécialement conçus pour filtrer les particules microscopiques.

Utilisation et entretien de l'appareil

- **Servez-vous d'un serre-joint ou autre moyen pratique pour arrimer l'ouvrage à une plate-forme stable.** Tenir l'ouvrage à la main ou contre le corps est instable et risque de vous en faire perdre le contrôle.
- **Ne forcez pas l'appareil. Servez-vous de l'outil prévu pour le travail en question.** L'outil approprié fera le travail avec plus d'efficacité et plus de sécurité lorsqu'il fonctionne au régime prévu.

- **N'utilisez pas l'appareil si son interrupteur ne permet pas de le mettre en marche ou de l'arrêter.** Tout appareil qui ne peut pas être contrôlé par son interrupteur est dangereux et doit être réparé.
- **Débranchez le cordon d'alimentation de l'appareil avant son réglage, le remplacement d'accessoires ou son rangement.** De telles mesures préventives réduisent les risques de démarrage accidentel de l'appareil.
- **Rangez les appareils non utilisés hors de la portée des enfants et des personnes non-initiées.** Ces appareils sont dangereux entre les mains de personnes non initiées.
- **Entretenez les outils avec soin. Gardez les outils de coupe propres et bien affûtés.** Des outils bien entretenus et bien affûtés minimisent les risques de grippage et sont plus faciles à contrôler.
- **Examinez l'appareil pour signes de mauvais alignement ou de grippage, de pièces endommagées ou de toute autre condition qui pourrait nuire à son bon fonctionnement. Le cas échéant, faites-le réparer avant de l'utiliser.** De nombreux accidents sont le résultat d'appareils mal entretenus.
- **Utilisez exclusivement les accessoires spécialement prévus pour votre type d'appareil.** Les accessoires prévus pour un type d'appareil peuvent être dangereux lorsqu'ils sont utilisés sur un autre.
- **Examinez le cordon de l'appareil et les rallonges électriques régulièrement et remplacez tout élément endommagé.** Les cordons électriques endommagés augmentent les risques de choc électrique.
- **Gardez les poignées de l'appareil propres, sèches et dépourvues d'huile ou de graisse.** Cela assurera un meilleur contrôle de l'appareil.

Réparations

- **Toutes réparations de l'appareil doivent être confiées à un réparateur qualifié.** La réparation ou l'entretien de l'appareil par du personnel non qualifié peut entraîner des blessures.
- **Lors de la réparation de l'appareil, utilisez exclusivement des pièces de rechange identiques à celles d'origine. Suivez les instructions de la section "Service et réparations" du mode d'emploi.** L'utilisation de pièces de rechange non homologuées ou le non respect des consignes d'entretien peut créer un risque de choc électrique ou de blessure corporelle et annuler la garantie.

- **Suivez les instructions visant la lubrification de l'appareil et le changement des accessoires.** Les outils mal entretenus sont souvent à l'origine des accidents.

Consignes de sécurité particulières

▲ MISE EN GARDE !

Familiarisez-vous complètement avec le mode d'emploi avant d'utiliser l'appareil. La non compréhension ou le non respect des consignes qu'il contient augmenterait les risques de choc électrique, d'incendie et de grave blessure corporelle.

Veuillez adresser toutes questions éventuelles aux Services techniques de la Ridge Tool Company en composant le (800) 519-3456.

Sécurité de l'appareil

- **Ne pas tenter de modifier ou utiliser l'appareil pour des applications non prévues.** Les applications non prévues peuvent accroître les risques d'accident.
- **Utilisez exclusivement la lame recommandée pour le type de matériau à couper.** Les lames recommandées et bien affûtées minimisent les risques de grippage et facilite le contrôle de l'appareil.
- **Arrimez l'ouvrage avant d'installer l'étau. Montez l'étau sur l'ouvrage et serrez-le avant d'installer la scie à ruban sur l'étau.** Pour pouvoir stabiliser l'ensemble, l'ouvrage doit pouvoir soutenir le poids de l'étau et celui de la scie à ruban sans bouger.
- **Restez à l'écart des ouvrages qui risquent de tomber en fin de coupe.** Ceux-ci risqueraient de vous blesser.
- **Tenez la scie à ruban fermement des deux mains durant l'opération de coupe. Préparez-vous à soutenir le poids de la scie en fin de coupe.** Cela vous évitera de perdre le contrôle de la scie.
- **Arrêtez la scie à ruban et débranchez-la avant de l'installer ou de l'enlever de l'étau.** Cela évitera les risques de démarrage accidentel.
- **Écartez vos mains de la zone de coupe lorsque vous utilisez la scie.** Vos doigts et vos mains risquent d'être coupés.
- **N'utilisez pas l'appareil si ses carters de protection ont été endommagés ou enlevés.** Les lames et mécanismes exposés augmentent les risques d'accident.
- **Ne montez pas l'étau sur la partie d'ouvrage qui**

doit être coupé. Cela évitera que la scie tombe en fin de coupe.

- **N'utilisez pas la scie à ruban et l'étau sans la bride de sécurité.** Celle-ci empêche la scie à ruban de se séparer de l'étau.
- **Faites très attention lors de la coupe du magnésium. Ne jamais utiliser d'eau ou un extincteur traditionnel pour éteindre du magnésium en feu. Utilisez exclusivement de la poudre de graphite type G-1.** Les copeaux de magnésium peuvent s'enflammer et créer un risque d'incendie.
- **Faites très attention lors des coupes aveugles dans des conduites ou des tuyaux. Vérifiez que l'objet devant être coupé ne contient pas de fils électriques, de gaz ou d'eau.** Cela pourrait créer une situation dangereuse accompagnée d'un risque de grave blessure corporelle.

CONSERVEZ CES INSTRUCTIONS !

Description, spécifications et accessoires

Description

La scie à ruban portative RIDGID 932VS est prévue pour la coupe des matériaux ferreux et non ferreux, qu'il s'agisse de barres, de tubes ou de formes irrégulières. Sa capacité de 4³/₄ po lui permet de couper les canalisations d'évacuation d'une section nominale de 4 po. L'ensemble est monté sur roulements à bille et à aiguille, ce qui lui assure une grande longévité et fiabilité.

Spécifications

Capacité de coupe.....Profilés ronds jusqu'à 4³/₄ po, profilés rectangulaires jusqu'à 4¹/₂ x 4³/₄ po

Moteur

N°932VS
 TypeUniversal
 Tension115V (ca), 50/60Hz
 Ampères6
 Régime à vide SFPM.....variable, de 100 à 245

Système

d'entraînement.....pignon et chaîne

Dimensions de lame....1/2 po x 0,020 po x 44⁷/₈ po

Poids.....14 livres.

Equipements de base

- Mallette de transport en acier
- Lame bimétal
- Cire à lame

Accessoires

Etau N° 32V

Lors de l'utilisation de l'étau 32V, les sections maximales de coupe sont les suivantes :

- Rond – Ø 4½ po
- Carré – 3 po x 3 po
- Cornière – 3 po x 3 po

▲ AVERTISSEMENT

La coupe d'autres types de profilés n'est pas recommandée.



Figure 1 – Commande à vitesse variable

La mollette est numéroté de "1" à "6", "1" étant la vitesse la plus lente (90 SFM environ) et "6" étant la vitesse la plus élevée (240 SFM environ). La commande de vitesse peut être réglée que le moteur soit en marche ou non.

Utilisation de l'appareil

▲ MISE EN GARDE L'utilisateur doit s'être complètement familiarisé avec les consignes de sécurité précédentes avant toute tentative d'utilisation de ce matériel.

▲ MISE EN GARDE N'utilisez pas la scie à une tension électrique qui ne soit pas dans la plage prévue. Vérifiez la plaque signalétique pour le type de circuit d'alimentation applicable.

Scie à ruban 932VS

Mise en marche et arrêt de la scie

1. Vérifiez que la tension d'alimentation correspond à celle indiquée sur la plaque signalétique de la scie. Branchez l'appareil sur le circuit d'alimentation.

2. Appuyez sur la gâchette (Figure 1) pour mettre le moteur en marche. Lâchez la gâchette pour arrêter le moteur.

3. Un bouton de verrouillage (LOCK) Figure 1 est prévu pour permettre à la scie de fonctionner sans avoir à appuyer sur la gâchette. Pour verrouiller la gâchette en position de marche, appuyez à fond sur celle-ci, enfoncez le bouton de verrouillage, puis lâchez la gâchette.

Pour libérer le bouton de verrouillage, appuyez momentanément sur la gâchette.

4. La 932VS est équipée d'un variateur de vitesse. La vitesse de l'appareil se règle en tournant la manette de réglage (Figure 1).

Sélection de la lame appropriée

Lames de scie à ruban

La scie à ruban modèle 932VS utilise des lames de 0,020 po d'épaisseur, de ½ po de large et de 44⁷/₈ po de long.

NOTA ! NE PAS UTILISER ces lames sur une scie à ruban stationnaire. Les lames prévues pour les scies à ruban stationnaires ont une épaisseur différente et ne PEUVENT PAS passer entre les guide-lame haute précision des scies à ruban portatives.

Reportez-vous au tableau de sélection des lames (Figure 11) pour les lames disponibles et leurs applications prévues. Ce tableau n'est sensé servir que de guide. En raison de la variété des matériaux pouvant être coupés, l'expérience de l'utilisateur devra déterminer laquelle offrira le plus haut niveau d'efficacité et de longévité de lame en fonction de l'application envisagée.

Sélection des lames

Sélectionnez, de préférence, une lame dont au moins deux dents s'engagent sur l'épaisseur du matériau simultanément. Plus le matériau est mince ou dur, plus fines doivent être les dents de lame. Pour les matériaux plus épais ou moins durs, une lame avec des dents plus grosses est recommandée. Les lames en acier rapide restent affûtées plus longtemps que les lames en alliage.

Entretien des lames

L'utilisation d'une cire de lubrification, telle que celle fournie avec la scie, prolongera la vie utile des lames. Assurez-vous que la scie est équipée d'une lame bien affûtée.

▲ AVERTISSEMENT En aucun cas doit-on utiliser un lubrifiant liquide avec cette scie. Les roulements et les galets en caoutchouc des poulies risqueraient d'être endommagés.

NOTA ! L'utilisation de cire en bâtons est particulièrement recommandée lors de la coupe de grandes sections d'aluminium et de laiton doux, car celle-ci aide à nettoyer les creux de lame. Sur les matériaux durs, la cire en bâtons aide à refroidir la lame et à éviter qu'elle ne perde sa dureté. L'utilisation de ce type de lubrifiant assure aussi une coupe plus nette et plus propre.

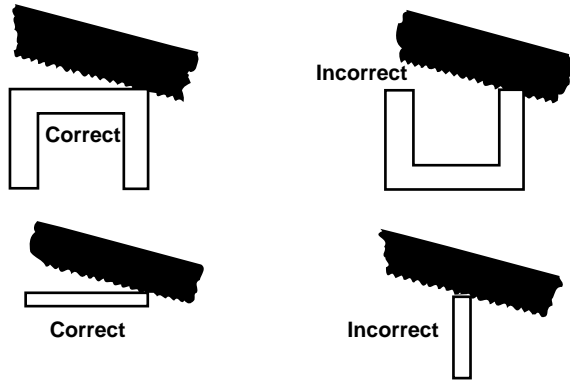


Figure 2 – Ouvrage correctement positionné pour coupe

Méthode de coupe

1. S'assurer que l'ouvrage est bien arrimé et orienté de manière à ce que le plus grand nombre de dents contacteront durant la coupe (Figure 2).
2. Branchez le cordon d'alimentation de la scie dans une prise avec terre appropriée.
3. Réglez le sélecteur de vitesse à la vitesse voulue. La vitesse peut être modifiée avec l'appareil en marche.
4. Tenez la scie dans une position neutre, éloignée de l'ouvrage.
5. Mettez la scie en marche en appuyant sur la gâchette de la poignée arrière.
6. Appuyez la butée de lame arrière fermement contre l'ouvrage et rabaissez la scie pour couper le matériau.

NOTA ! Laissez le poids de la scie fournir la pression de coupe nécessaire. N'appuyez pas sur la scie durant la coupe. Cela ralentirait la lame et nuirait à l'efficacité de coupe.

7. Une fois la coupe terminée, retenez la scie fermement pour l'empêcher de tomber contre l'ouvrage.
8. Lâchez la gâchette et débranchez le cordon d'alimentation.

NOTA ! Suite à une coupe prolongée, la cire collera aux poulies de la scie. Cela n'a aucun effet sur son fonctionnement. Il suffit simplement de débrancher la scie et d'essuyer la cire accumulée sur les poulies.

Scie à ruban 932VS avec étau 32V

Assemblage de l'étau 32V

▲ MISE EN GARDE !

La scie doit être débranchée avant d'installer l'étau 32V.

1. Enlevez les deux vis (A), puis retirez la poignée (C) et l'écrou (B) (Figure 3).

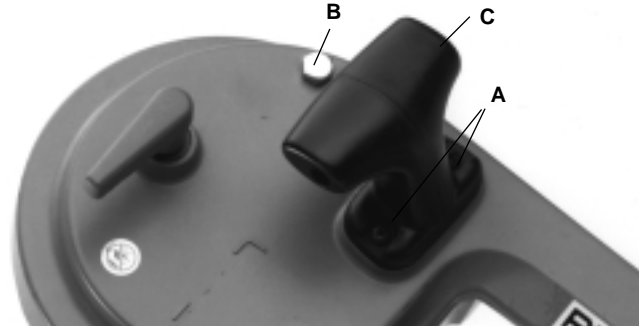


Figure 3

2. Positionnez le support de fixation de l'étau sur la scie à ruban (Figure 4) et retenez-le à l'aide des deux écrous fournis avec l'étau 32V. (Serrez-les à un couple de 40 à 50 in/lb.)

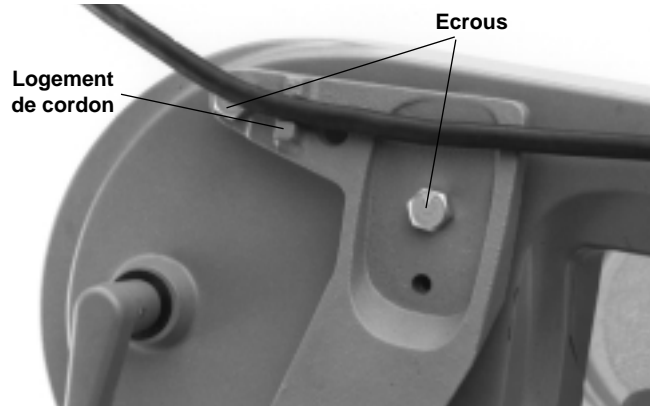


Figure 4

3. Remontez la poignée (C), (Figure 3), à l'aide des deux longues vis fournies avec l'étau 32V.
4. Engagez le cordon d'alimentation dans le logement comme indiqué à la Figure 4.

Utilisation de l'étau 32V

▲ MISE EN GARDE Assurez-vous que la scie est débranchée avant de l'installer sur l'ouvrage.

1. Arrimez l'ouvrage afin d'éviter son déplacement en cours de coupe.

⚠ MISE EN GARDE L'ouvrage doit être suffisamment bien arrimé pour pouvoir supporter le poids de l'étau et de la scie à ruban.

2. Positionnez l'étau sur l'ouvrage et fixez-le en serrant la vis de blocage (Figure 5). La vis devra supporter tout le poids de la scie à ruban.

NOTA ! L'étau doit être positionné de manière à ce que la vis de blocage se trouve à la verticale et au-dessus de l'ouvrage.

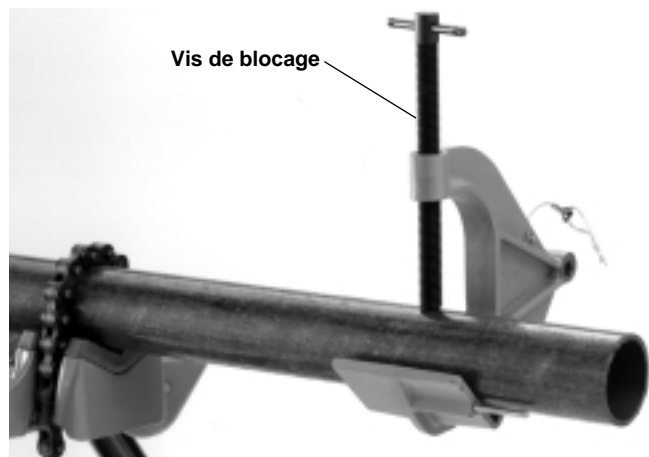


Figure 5

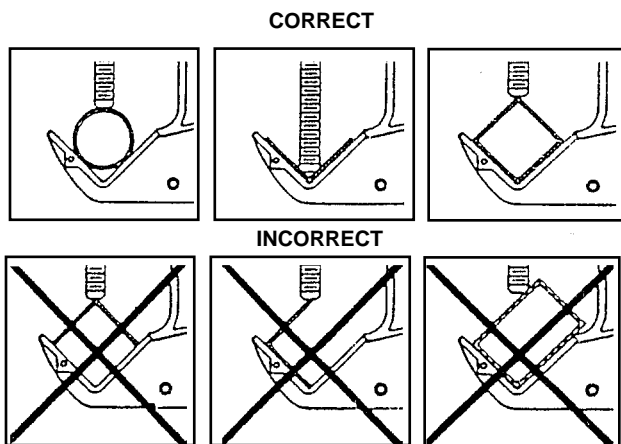


Figure 6

3. Montez la scie à ruban sur l'étau.

⚠ MISE EN GARDE Ecarter vos mains de la lame de scie lors du montage et de la dépose de la scie à ruban.



Figure 7A



Figure 7B

- A. Introduisez la broche du support de fixation dans le trou de l'étau (Figure 7A).
- B. Installez l'attache de sécurité, puis rabaissez la scie doucement jusqu'à ce qu'elle repose sur l'ouvrage (Figure 7B).

⚠ MISE EN GARDE L'attache de sécurité doit être installée afin d'empêcher la scie à ruban de se séparer de l'étau en cours de coupe.

Coupe à l'aide de l'étau 32V

⚠ MISE EN GARDE Assurez-vous que la gâchette de la scie à ruban se trouve en position OFF (arrêt). Branchez la scie. Utilisez l'étau uniquement à une hauteur permettant une bonne prise en main de la poignée de scie durant toute l'opération de coupe.

1. Prenez la scie à ruban par sa poignée et relevez-la pour l'écarter de l'ouvrage.
2. Appuyez sur la gâchette pour mettre la scie en marche. Si nécessaire, réglez la vitesse de la scie.



Figure 8

3. Rabaissez la scie lentement jusqu'à ce que la lame entame l'ouvrage. Tenez la scie fermement avec les deux mains tandis qu'elle se charge d'effectuer la coupe sous son propre poids. **NE FORCEZ PAS** la scie contre l'ouvrage. Soutenez le poids de la scie en fin de coupe.

NOTA ! La baguette de repérage sera coupée lors de la première coupe (Figure 8). Celle-ci servira à assurer le positionnement précis de l'étau par rapport à l'ouvrage lors des coupes suivantes et permettra de suivre une ligne prédéterminée.

4. Dès la coupe achevée, lâchez la gâchette et débranchez la scie.
5. Enlevez l'attache de sécurité et retirez la scie de l'étau.
6. Desserrez la vis de blocage et retirez l'étau de l'ouvrage.

NOTA ! Il peut être nécessaire d'ajouter des cales (Figure 9) entre le support et la scie afin d'obtenir une coupe à l'équerre. Voir les instructions suivantes : des rondelles de calage sont prévus dans la pochette d'accessoires.

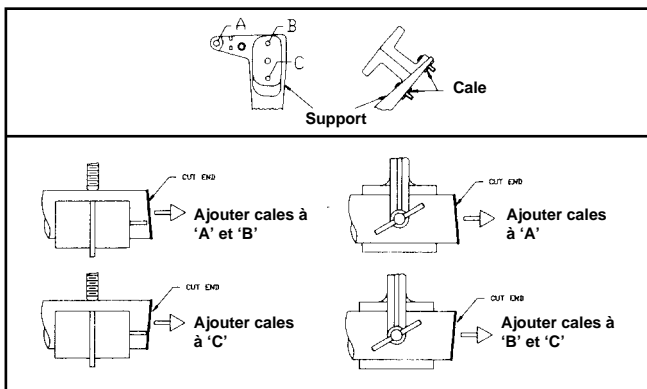


Figure 9

Opérations particulières

Remplacement des lames de scie

▲ MISE EN GARDE Assurez-vous que l'appareil est débranché avant de changer de lame.

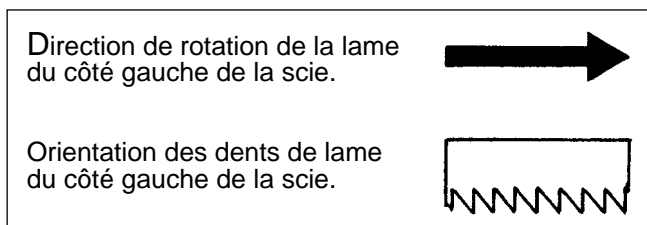


Figure 10 – Orientation appropriée des lames de scie.

1. Tournez la poignée du tendeur de lame qui se trouve à l'avant de la scie 180° à droite, jusqu'à l'indication FORWARD (avant) afin de détendre la lame.
2. Enlevez la lame, d'abord au niveau des poulies, puis au niveau des guides.

3. Introduisez la lame de rechange entre les galets et les guides.

NOTA ! Assurez-vous que, vu du côté gauche, les dents de la lame de scie sont orientées vers l'arrière de la scie. Si elles sont orientées vers l'avant de la scie, enlevez la lame et retournez-la (Figure 10).

4. Tenez la lame en position entre les galets et les guides d'une main, puis faites-les passer autour des poulies avec l'autre.
5. Tournez le tendeur de lame qui se trouve en tête de scie à gauche, vers l'arrière de la scie.
6. Activez la gâchette à plusieurs reprises afin de vous assurer que la lame se déplace librement et que le ressort revient à la position OFF (arrêt).

Réglage de l'alignement de la lame

Cette scie à ruban est équipée d'un mécanisme d'alignement de lame réglable. Lorsque celui-ci est correctement réglé, le bord arrière de la lame devrait frôler au moins un des galets de secours, sans pour autant s'appuyer lourdement contre le galet. Si la lame n'est pas correctement alignée, réglez-la de la manière suivante :

▲ MISE EN GARDE !
DÉBRANCHEZ LA SCIE.

1. Utilisez une clé de 9/16 po pour desserrer l'écrou de blocage du mécanisme (Figure 12) en le tournant un tour ou deux à gauche.
2. Servez-vous d'un tournevis plat pour tourner la vis d'alignement un quart de tour. Tourner la vis à DROITE déplacera la lame vers le haut, voire vers les galets de guidage. Tourner la vis à GAUCHE déplacera la lame vers le bas, c'est à dire, à l'opposé des galets de guidage.
3. Resserrez l'écrou de blocage du mécanisme.
4. En suivant les instructions de la section Mise en marche et arrêt de la scie, faites fonctionner la scie afin de vérifier l'alignement de la lame.
5. Répétez les étapes 1 à 5 autant de fois que nécessaire pour obtenir l'alignement voulu.



Figure 12

Entretien

▲ MISE EN GARDE Débranchez l'appareil systématiquement avant toute intervention.

Inspection des balais du moteur et lubrification

Après environ 100 heures d'utilisation, apportez ou expédiez l'appareil chez le réparateur RIDGID le plus proche pour nettoyage et inspection, remplacement éventuel des composants usés, lubrification éventuelle, installation de nouveaux balais et vérification des performances.

Tableau de sélection des lames	Épaisseur des matériaux	Dents par pouce	Type
Aluminium, cornières d'acier, fonte, bronze, laiton, cuivre, tuyaux galvanisés, acier doux et câbles électriques jusqu'à 3/4 po de diamètre	5/32 à 1/2 po	14	Acier au carbone
Cornière d'acier, bronze, laiton, cuivre, tuyaux galvanisés, tuyaux à parois minces, acier doux	1/8 à 1/4 po	18	
Cornière d'acier, bronze, laiton, cuivre, fonte, tuyaux galvanisés, chrome, acier au tungstène et acier inoxydable à petite vitesse	3/32 à 3/8 po	24	
Aluminium, cornière d'acier, fonte, bronze, laiton, cuivre, tuyaux galvanisés, acier doux, aciers plus durs, acier chromé et acier au tungstène à petite vitesse, ainsi que câbles électriques	5/32 à 3/4 po	14	Bimétal
Cornière d'acier, bronze, laiton, cuivre, tuyaux galvanisés, tuyaux à parois minces, acier doux, acier chromé et acier au tungstène à petite vitesse	1/8 à 1/2 po	18	
Cornière d'acier, bronze, laiton, cuivre, fonte, tuyaux galvanisés, acier doux, chrome, acier au tungstène et acier inoxydable à petite vitesse	3/32 à 1/8 po	24	

Figure 11 – Tableau de sélection des lames

Toute perte de puissance constatée entre les révisions périodiques indiquées peut signaler un besoin de réparation immédiate de l'appareil. Le cas échéant, et s'il ne s'agit pas d'un problème au niveau du secteur d'alimentation électrique, cessez d'utiliser l'appareil. Confiez l'appareil à votre réparateur pour intervention immédiate.

Ventilation de la scie

Nettoyez régulièrement les grilles de ventilation de l'appareil afin d'assurer le refroidissement adéquat du moteur. Passez les grilles de ventilation à l'air comprimé occasionnellement afin d'assurer la propreté et la ventilation du moteur.

Stockage de l'appareil

▲ MISE EN GARDE Tout matériel électrique doit être stocké à l'intérieur ou bien protégé contre les intempéries. Rangez la scie dans un lieu sûr, hors de la portée des enfants et des individus non familiers avec ce type de matériel. Cette scie à ruban peut être dangereuse entre les mains d'utilisateurs non initiés.

Entretien et réparations

▲ MISE EN GARDE !



La section "Entretien" devrait couvrir la majorité des besoins d'entretien de la scie. Tous problèmes qui n'ont pas été adressés dans cette section doivent être confiés à un technicien RIDGID agréé.

L'appareil devrait être alors confié à un réparateur agréé par RIDGID ou renvoyé à l'usine. Toutes réparations effectuées par les services Ridge sont garanties contre les vices de matériaux et de main d'œuvre.

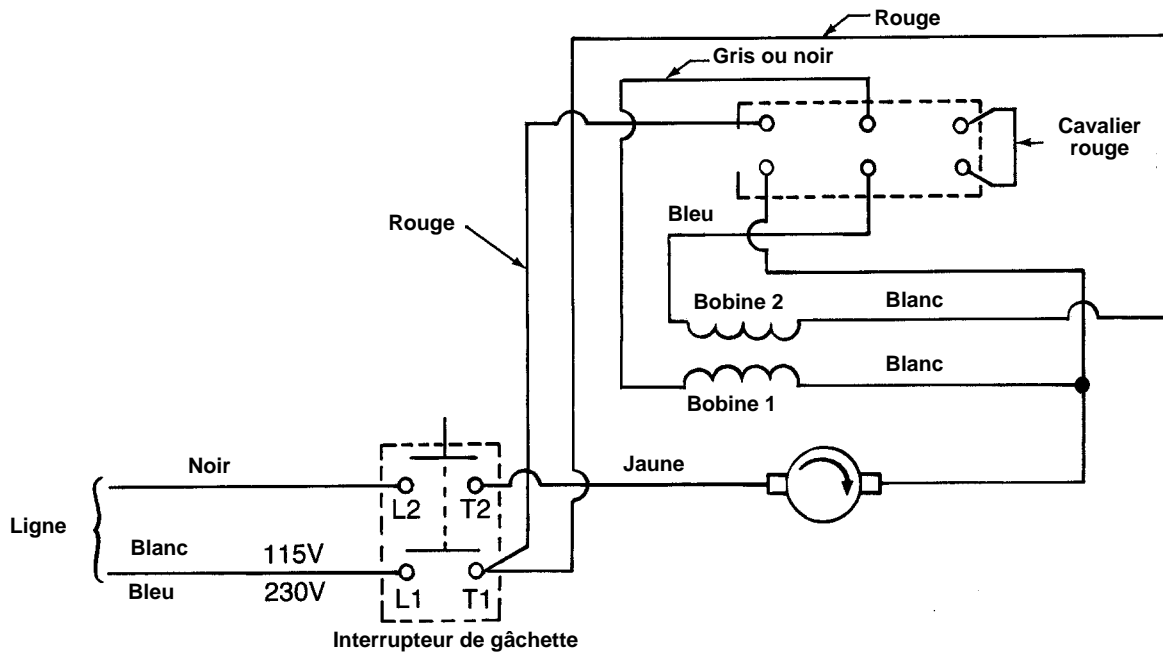
▲ MISE EN GARDE N'utilisez que des pièces de rechange identiques à celles d'origine lors de la réparation de cette scie. Le non respect de cette consigne pourrait accroître les risques de choc électrique ou autre blessure corporelle grave.

En cas de questions éventuelles concernant l'entretien ou la réparation de cette scie, veuillez nous consulter par téléphone ou par écrit aux coordonnées suivantes :

Ridge Tool Company
Technical Service Department
400 Clark Street
Elyria, Ohio 44035-6001
Tel: (800) 519-3456
E-mail: TechServices@ridgid.com

Pour obtenir les coordonnées du réparateur agréé le plus proche, veuillez contacter la Ridge Tool Company au (800) 519-3456 ou <http://www.ridgid.com>

Schéma électrique du modèle 932VS (115/230V, 60/50Hz)





Sierra de banda portátil 932VS y su Prensa de tornillo No. 32V



Sierra de banda portátil 932VS	
Apunte aquí y conserve el número de serie del producto, el que se encuentra en la placa de características.	
No. de Serie	

Índice

Formulario para apuntar el Modelo y Número de Serie de la máquina	23
Información general de seguridad	
Seguridad en la zona de trabajo	25
Seguridad eléctrica.....	25
Seguridad personal	25
Uso y cuidado de la herramienta.....	26
Servicio.....	26
Información específica de seguridad	
Seguridad de la herramienta	27
Descripción, especificaciones y equipo estándar	
Descripción.....	27
Especificaciones.....	27
Equipo estándar	28
Accesorios.....	28
Instrucciones para el funcionamiento	
Sierra de banda 932VS	28
Cómo echar a andar y parar la sierra.....	28
Elección de cuchillas	28
Cuchillas para la sierra de banda.....	28
Cuál cuchilla usar	29
Cuidado de las cuchillas.....	29
Cómo cortar.....	29
Sierra de Banda 932VS con una Prensa de Tornillo 32V	29
Montaje de la Prensa de Tornillo 32V	29
Cómo usar la Prensa de Tornillo 32V	30
Cómo cortar empleando la Prensa de Tornillo 32V	30
Procedimientos especiales	
Recambio de cuchilla	31
Regulación de la trayectoria de la cuchilla	31
Instrucciones de mantenimiento	
Inspección de las escobillas del motor y lubricación.....	32
Ventilación de la sierra	32
Almacenamiento de la herramienta	33
Servicio y reparaciones	33
Diagrama de cableado.....	33
Garantía vitalicia	carátula posterior

Información general de seguridad

¡ADVERTENCIA! Lea y comprenda todas las instrucciones. Pueden ocurrir golpes eléctricos, incendios y/u otras lesiones personales graves si no se siguen todas las instrucciones detalladas a continuación.

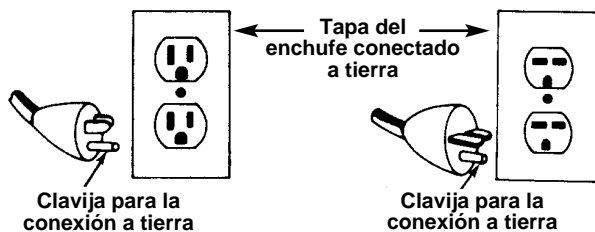
¡GUARDE ESTAS INSTRUCCIONES!

Seguridad en la zona de trabajo

- **Mantenga su área de trabajo limpia y bien alumbrada.** Los bancos de trabajo desordenados y las zonas oscuras son una invitación a los accidentes.
- **No haga funcionar herramientas a motor en atmósferas explosivas como, por ejemplo, en la presencia de líquidos, gases o polvos inflamables.** Las herramientas autopropulsadas generan chispas que pueden inflamar el polvo o los gases.
- **Al hacer funcionar una herramienta, mantenga apartados a los espectadores, niños y visitantes.** Las distracciones pueden hacerle perder el control.
- **No deje que los visitantes entren en contacto con la herramienta o el cordón de extensión.** Estas medidas preventivas reducen el riesgo de que se produzcan lesiones.

Seguridad eléctrica

- **Las herramientas provistas de una conexión a tierra deben enchufarse a un tomacorriente debidamente instalado y conectado a tierra según todos los códigos y ordenanzas vigentes. Jamás extraiga la clavija de conducción a tierra ni lo modifique de manera alguna. No use ningún tipo de enchufe adaptador. Si tiene dudas respecto a la conexión a tierra del tomacorriente, consulte a un electricista calificado.** Si una herramienta sufre una avería eléctrica o de otro tipo, la conexión tierra proporciona una vía de baja resistencia para conducir la electricidad lejos del usuario.



- **Evite el contacto de su cuerpo con superficies conectadas a tierra, tales como tubería, radiadores, cocinas, estufas y refrigeradores.** Si su cuerpo ofrece conducción a tierra, aumenta el riesgo de que sufra un choque eléctrico.

- **No exponga las herramientas eléctricas a la lluvia o a condiciones mojadas.** Cuando entra agua en una herramienta a motor, aumenta el riesgo de que se produzca un choque eléctrico.
- **No abuse del cordón. Nunca use el cordón para transportar las herramientas o para arrancar el enchufe del tomacorriente. Mantenga el cordón lejos del calor, aceite, bordes cortantes o piezas móviles. Recambie los cordones dañados inmediatamente.** Los cordones en mal estado aumentan los riesgos de que se produzca un choque eléctrico.
- **Al hacer funcionar una herramienta autopropulsada a la intemperie, emplee un cordón de extensión fabricado para uso exterior y rotulado "W-A" o "W".** Estos cordones han sido diseñados para su empleo al aire libre y reducen el riesgo de que se produzca un choque eléctrico.
- **Enchufe la herramienta a una fuente de corriente alterna que corresponda a las especificaciones en la placa de características.** El suministro de un voltaje incorrecto puede causar choques eléctricos o quemaduras.
- **Sólo emplee cordones de extensión de tres alambres que tengan enchufes de tres clavijas para conexión a tierra, y tomacorrientes de tres polos que acojan al enchufe de la herramienta.** La herramienta no quedará a tierra si utiliza otros cordones de extensión y aumentará el riesgo de choques eléctricos.
- **Use cordones de extensión apropiados (vea la tabla).** Una dimensión insuficiente del conductor causará una caída excesiva del voltaje y pérdida de potencia.

Dimensión mínima de alambre para cordones de extensión			
Amperios en la placa de características	Longitud total (en pies)		
	0-25	26-50	51-100
0-6	18 AWG	16 AWG	16 AWG
6-10	18 AWG	16 AWG	14 AWG
10-12	16 AWG	16 AWG	14 AWG
12-16	14 AWG	12 AWG	NO SE RECOMIENDA

Seguridad personal

- **Manténgase alerta, preste atención a lo que está haciendo y use sentido común cuando trabaje con una herramienta autopropulsada. No la use si está cansado o se encuentra bajo la influencia de drogas, alcohol o medicamentos.** Sólo un breve descuido mientras hace funcionar una herramienta a motor puede resultar en lesiones personales graves.

- **Vístase adecuadamente. No lleve ropa suelta ni joyas. Contenga el cabello largo. Mantenga su cabello, ropa y guantes apartados de las piezas en movimiento.** La ropa suelta, las joyas o el pelo largo pueden engancharse en la piezas móviles.
- **Evite la puesta en marcha no intencional. Antes de enchufar la herramienta, asegure que el interruptor se encuentre en la posición OFF (apagado).** Cargar las herramientas con el dedo sobre el interruptor o enchufarlas cuando su interruptor está en la posición de encendido (ON) constituyen una invitación a que se produzcan accidentes.
- **Antes de poner en marcha la herramienta, extraiga las llaves de ajuste o regulación.** Una llave mecánica o una llave de ajuste que se ha dejado acoplada a una pieza giratoria de la herramienta puede resultar en lesiones personales.
- **No trate de alcanzar algo por sobre la máquina. Mantenga sus pies firmes en tierra y un buen equilibrio en todo momento.** Al mantener el equilibrio y los pies firmes, tendrá mejor control sobre la herramienta en situaciones inesperadas.
- **Use equipo de seguridad. Siempre lleve protección para la vista.** Cuando las condiciones lo requieran, debe usar mascarilla para el polvo, calzado de seguridad antideslizante, casco duro o protección para los oídos.

⚠ ADVERTENCIA Puede que parte del polvo que se desprende cuando se lija, serrucha, corta, taladra, pule o afila, o durante otras tareas de construcción, contenga sustancias químicas que el estado de California considera cancerígenas, causantes de defectos congénitos u otros daños al sistema reproductor. Algunos de estos productos químicos son:

- plomo, en pinturas a base de plomo
- sílice cristalino en ladrillos y cemento y otros productos usados en mampostería
- arsénico y cromo, en maderas tratadas con sustancias químicas

Los riesgos a la salud que implica la exposición o contacto con estos materiales varían según la frecuencia con que Ud. realiza este tipo de trabajo. Para reducir el contacto con estas sustancias químicas, trabaje siempre en una zona bien ventilada y vistiendo equipos de seguridad autorizados, como mascarillas contra el polvo diseñadas para impedir el paso de partículas microscópicas.

Uso y cuidado de la herramienta

- **Use un tornillo de presión o de banco u otro medio práctico para asegurar la pieza de trabajo a una plataforma estable.** El sostener la pieza de trabajo con

las manos o contra su cuerpo es inestable y puede hacerle perder el control.

- **No fuerce la herramienta. Use la herramienta correcta para el trabajo que realizará.** La herramienta adecuada hará mejor el trabajo, de manera más segura y a la velocidad que se debe.
- **Si el interruptor de la herramienta no la enciende ni la apaga, no use la herramienta.** Cualquier herramienta que no pueda ser controlada mediante el interruptor es peligrosa y debe ser reparada.
- **Antes de efectuar trabajos de regulación, de cambiar accesorios o de almacenar la herramienta, desconecte el enchufe de la fuente de corriente eléctrica.** Este tipo de seguridad preventiva reduce el riesgo de poner la herramienta en marcha involuntariamente.
- **Almacene las herramientas que no estén en uso fuera del alcance de los niños y de otras personas sin entrenamiento.** Las herramientas son peligrosas en las manos de usuarios no capacitados.
- **Las herramientas deben ser mantenidas cuidadosamente. Las de corte deben permanecer afiladas y limpias.** Las herramientas de corte bien mantenidas y afiladas tienen menos tendencia a agarrarse y son más fáciles de controlar.
- **Verifique si las piezas móviles están desalineadas o agarradas, si hay piezas quebradas y si existe cualquiera otra condición que pueda afectar el funcionamiento de la herramienta. En caso de estar dañada, antes de usar la herramienta, hágala componer.** Numerosos accidentes son causados por herramientas que no han recibido un mantenimiento adecuado.
- **Solamente use accesorios recomendados por el fabricante para su modelo.** Los accesorios que son adecuados para una herramienta pueden ser peligrosos al usárselos en otra herramienta.
- **Revise la herramienta y los cordones de extensión periódicamente. Cámbielos si están dañados.** Los cordones en mal estado aumentan el riesgo de que se produzca un choque eléctrico.
- **Mantenga los mangos limpios y secos, libres de aceite y grasa.** Así se controla la herramienta de mejor forma.

Servicio

- **El servicio a la herramienta sólo debe ser efectuado por personal de reparación calificado.** El servicio

o mantenimiento practicado por personal de reparaciones no calificado puede resultar en lesiones.

- **Cuande repare una herramienta debe usar únicamente repuestos o piezas de recambio idénticas. Siga las instrucciones en la sección de Mantenimiento de este manual.** El uso de piezas no autorizadas o el no seguir las instrucciones para el mantenimiento, pueden ocasionar un choque eléctrico o lesiones.
- **Siga las instrucciones para lubricarla y cambiarle accesorios.** Las herramientas en mal estado provocan accidentes.

Información específica de seguridad

▲ ADVERTENCIA

Lea este Manual del Operador detenidamente antes de usar esta Sierra de Banda. Pueden ocurrir choques eléctricos, incendios y/o graves lesiones personales si no se comprenden y siguen las instrucciones de este manual.

Si tiene alguna pregunta, llame al Servicio Técnico de Ridge Tool Company al teléfono (800) 519-3456.

Seguridad de la herramienta

- **No modifique esta herramienta y no la someta a otros usos.** Así se aumenta el riesgo de que ocurran lesiones.
- **Siempre emplee la hoja o cuchilla recomendada para el material que se va a cortar.** Es menos probable que las cuchillas adecuadas y afiladas se traben y la herramienta se hace más fácil de controlar.
- **Sujete la pieza de trabajo antes de acoplar la prensa de tornillo. Agarre la pieza de trabajo firmemente con la prensa de tornillo antes de acoplar la sierra de banda a la prensa de tornillo.** Para poder mantener el control, la pieza de trabajo debe sostener el peso de la prensa de tornillo y de la sierra de banda, sin moverse.
- **Tenga cuidado y apártese de las piezas de trabajo que puedan caer después de un corte.** Pueden lesionarlo.
- **Mantenga el mango de la sierra de banda bien agarrado mientras efectúa un corte. Apoye el peso de la sierra mientras corta.** Así no se pierde el control sobre la sierra.

- **Apague la sierra de banda y desenchúfela cuando la monte o desmonte de la prensa de tornillo.** Así no se la pone en marcha involuntariamente.
- **Aparte sus manos del lugar por donde va cortando con la sierra.** Puede cortarse los dedos o manos.
- **No la use si sus cubiertas protectoras están dañadas o han sido sacadas.** Las cuchillas y partes expuestas aumentan los riesgos de lesiones.
- **No acople la prensa de tornillo en el extremo de la pieza de trabajo por donde se la cortará.** Así se evita que la sierra se caiga después de efectuado el corte.
- **No haga funcionar la sierra de banda sin el clip de seguridad que la sujeta a la prensa de tornillo.** El clip cerrado evita que ambas se separen.
- **Tenga mucho cuidado cuando corte en magnesio. Jamás emplee agua o un extinguidor de incendios para combatir un incendio de magnesio. Sólo emplee G-1 Power (grafito).** Las virutas pueden prenderse fuego creando peligro de incendio.
- **Tenga extremo cuidado al cortar un conducto o tubo sin saber lo que tiene en su interior. Asegúrese de que lo que cortará no contiene cables eléctricos, gases o agua.** Pueden producirse situaciones peligrosas y lesiones graves.

¡GUARDE ESTAS INSTRUCCIONES!

Descripción, especificaciones y equipo estándar

Descripción

La Sierra de Banda Portátil de RIDGID No. 932VS es una herramienta liviana, equilibrada, resistente y de calidad profesional. Corta la mayoría de las barras ferrosas y no ferrosas, tubería y materiales de forma irregular. Es capaz de cortar desagües de 4 pulgadas, tamaño nominal, y conductos de 4 pulgadas. La totalidad de sus cojinetes (rodamientos) son de bolas y de agujas, que le aseguran una larga e ininterrumpida vida útil.

Especificaciones

Capacidad

de cortetubería redonda de hasta 4³/₄ pulgadas, conductos rectangulares de 4¹/₂ x 4³/₄ pulgadas.

Motor

No.....932VS
 TipoUniversal
 Voltaje115 V CA, 50-60 Hz

Amperaje6
 Velocidad SFM (pies de superficie por minuto),
 sin carga.....variable 100-245

Transmisiónde engranaje recto y cadena

Tamaño de la hoja

o cuchilla.....1/2 pulgada x 0,20 x 44⁷/₈ pul-
 gadas

Peso.....14 libras

Equipo estándar

Maleta de acero
 Cuchilla bimetálica
 Cera para la cuchilla

Accesorios

Prensa de tornillo No. 32V

Tamaños máximos de formas que pueden cortarse
 cuando se emplea la Prensa de Tornillo No. 32V:
 Redondos: diámetro de 4¹/₂ pulgadas
 Cuadrados: 3 x 3 pulgadas
 Angulos: 3 x 3 pulgadas

▲ CUIDADO

No se recomienda cortar otras formas.



Figure 1 – Control de la velocidad variable

La perilla del control está numerada del 1 al 6. El 1 corresponde a la velocidad más lenta (aproximadamente 90 SFM); el 6, a la velocidad más rápida (aproximadamente 240 SFM). El control de la velocidad puede regularse cuando el motor está detenido o andando.

Instrucciones de funcionamiento

▲ ADVERTENCIA Antes de poner en marcha este equipo, el operador debe estar totalmente familiarizado con las medidas de precaución descritas anteriormente.

▲ ADVERTENCIA No haga funcionar la Sierra a voltajes que no se encuentran dentro de los límites señalados. Vea en la placa de características de la sierra cuál es el circuito eléctrico bajo el que debe funcionar.

Sierra de Banda No. 932VS

Cómo echar a andar y parar la sierra

1. Chequee que el voltaje del circuito eléctrico sea el mismo que el indicado en la placa de especificaciones de la sierra. Enchufe la máquina.
2. Apriete el interruptor de gatillo *Figura 1* para arrancar (START) el motor. Suelte el gatillo para detener (STOP) el motor.
3. El gatillo tiene un pestillo (LOCK) *Figura 1* que permite mantener la sierra andando sin tener que apretar el gatillo. Para enganchar el pestillo, apriete el gatillo hasta el final, empuje el botón del pestillo y suelte el gatillo.

 Para desenganchar (UNLOCK) el pestillo, apriete el gatillo para permitir que el botón del pestillo salte hacia afuera y suelte al gatillo.
4. La Sierra 932VS viene provista de un control para regular la velocidad. Esta se regula girando la perilla del control. (*Figura 1*)

Elección de cuchillas

Cuchillas para la Sierra de Banda

La Sierra de Banda Modelo 932VS requiere cuchillas de 0,020 de grosor; 1/2 pulgada de ancho y 44⁷/₈ pulgadas de largo.

¡NOTA! NO USE cuchillas pertenecientes a sierras de banda fijas o estacionarias. Estas cuchillas son de otro grosor y NO CABRAN en las guías de precisión para la cuchilla en las sierras de banda portátiles.

CONSULTE LA TABLA DE SELECCION PARA CUCHILLAS (*Figura 11*) para conocer los tipos de cuchillas disponibles y sus usos. Esta tabla sólo debe servir de guía. Debido a que son muchos los materiales que se pueden cortar, la experiencia del operador le dirá cual cuchilla es la más adecuada y durable para cada corte específico.

Cuál cuchilla usar

En general, seleccione una cuchilla que tendrá por lo menos dos dientes engranados en el grosor del material que se corte. Mientras más delgado o duro el material, más finos deben ser los dientes de la cuchilla que lo va a cortar. Mientras más grueso o blando el material, más gruesos deben ser los dientes de la cuchilla. Las cuchillas de acero para altas velocidades permanecen más tiempo afiladas que las cuchillas de acero de aleación.

Cuidado de las cuchillas

La vida útil de una cuchilla se prolongará si la mantiene lubricada con un lubricante tipo cera como el provisto con la sierra. Siempre tenga puesta en la sierra una cuchilla bien afilada.

⚠ CUIDADO Por ningún motivo emplee un refrigerante líquido con esta sierra. Puede dañar los cojinetes (rodamientos) y las ruedas de goma en las poleas.

¡NOTA! La cera en barra es especialmente indicada cuando se cortan grandes secciones de aluminio o de latón blando porque ayudará a mantener limpias las gargantas (entre los dientes de la sierra). En materiales duros, la cera en barra ayudará a mantener fría la cuchilla. Este lubricante suaviza y limpia las superficies a ambos lados del corte.

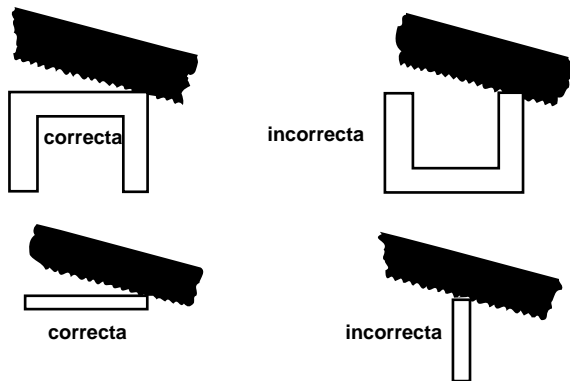


Figura 2 – Trabaje en la posición correcta

Cómo cortar

1. Asegure que la pieza que se cortará esté bien sujeta y en la posición correcta, es decir, que la pieza quede en contacto con el mayor número de dientes. (Figura 2)
2. Enchufe la sierra en un tomacorriente conectado a tierra.
3. Ponga el interruptor de velocidades en la velocidad de-

seada. La velocidad de funcionamiento PUEDE CAMBIARSE mientras la máquina se encuentra en marcha.

4. Sostenga la sierra cómodamente, alejada de la pieza de trabajo.
5. Póngala en marcha oprimiendo el gatillo del interruptor en el mango posterior.
6. Mantenga el tope guía posterior de la cuchilla firmemente afirmado contra la pieza de trabajo; ahora baje la sierra para cortar el material.

¡NOTA! Deje que el peso de la sierra proporcione la presión necesaria para cortar. No cargue la sierra hacia abajo. Esto reducirá la velocidad de la cuchilla y dificultará el corte.

7. Cuando haya completado el corte, sostenga la sierra firmemente para que no caiga sobre la pieza de trabajo.
8. Suelte el gatillo y desenchufe el cordón de suministro.

¡NOTA! Después de un uso prolongado, la cera se pegará a las poleas de la sierra. Esto no afectará el funcionamiento de la sierra. Sólo es necesario desenchufar la sierra y sacarle la cera a las poleas con un trapo.

Sierra de Banda 932VS con una Prensa de Tornillo 32V

Montaje de la Prensa de Tornillo 32V

⚠ ADVERTENCIA

La sierra debe estar desenchufada antes de acoplarle la Prensa de Tornillo 32V.

1. Extraiga los dos tornillos (A) y retire la perilla (C) y el tornillo (B) (Figura 3).

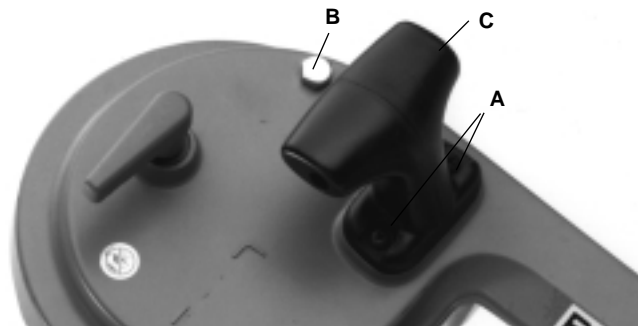


Figura 3

2. Coloque el brazo de montaje de la prensa de tornillo sobre la sierra (Figura 4) y fíjelo con los dos pernos de cabeza hexagonal provistos con la prensa 32V. (Par de torsión: 40 a 50 pulgadas libras.)

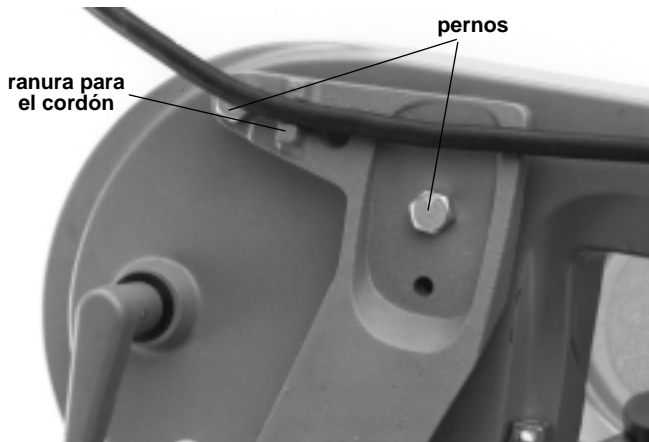


Figura 4

3. Vuelva a montar la perilla (C), (Figura 3), empleando los dos tornillos de montaje más largos provistos con la prensa 32V.
4. Coloque el cordón en la ranura como se muestra en la Figura 4.

Cómo usar la Prensa de Tornillo 32V

⚠ ADVERTENCIA Asegúrese de que la sierra esté desenchufada cuando se monte a la pieza de trabajo. Se recomienda que practique el corte en un trozo de material.

1. Fije la pieza de trabajo para que no se mueva durante el corte.

⚠ ADVERTENCIA La prensa de trabajo debe sujetarse para resistir el peso de la prensa de tornillo y de la sierra.

2. Monte la prensa de tornillo a la pieza de trabajo y asegúrela apretando el tornillo de fijación firmemente (vea la Figura 5). La abrazadera debe sostener a la sierra.

¡NOTA! La prensa de tornillo debe ser colocada de tal forma que el tornillo de fijación quede verticalmente y encima de la pieza de trabajo.

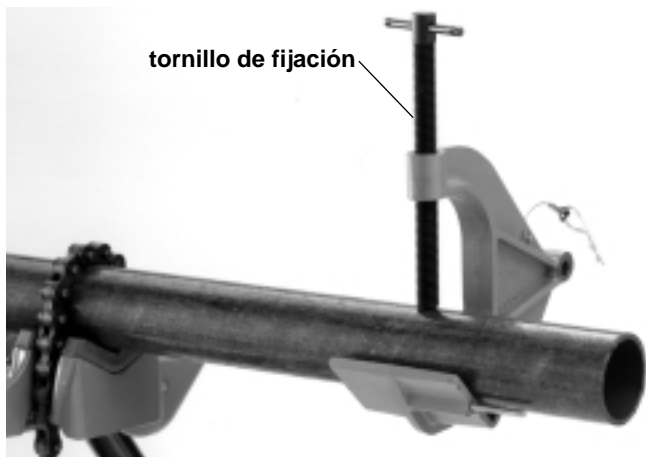


Figura 5

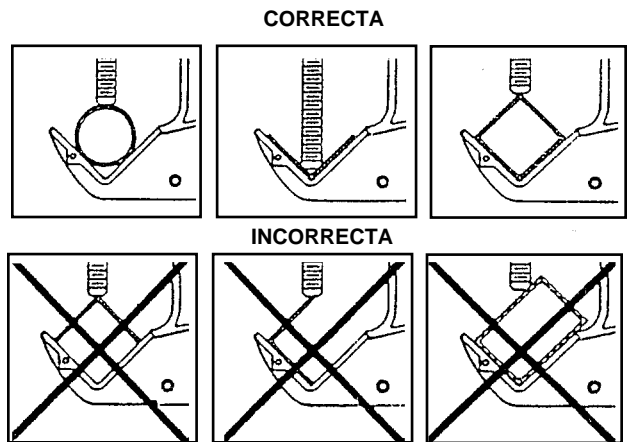


Figura 6

3. Acople la sierra a la prensa de tornillo.

⚠ ADVERTENCIA Mantenga sus manos apartadas de la cuchilla de la sierra cuando acople y retire la sierra.

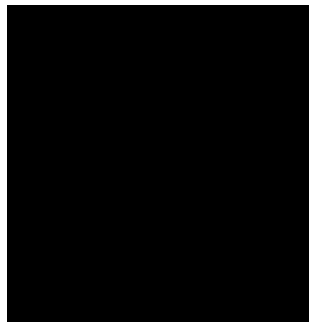


Figura 7A

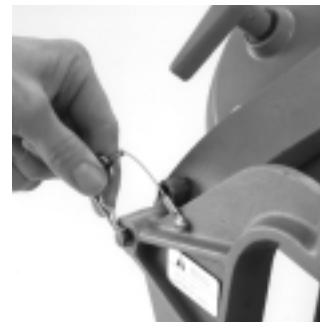


Figura 7B

- A. Inserte el pasador del brazo de montaje a través del agujero en la prensa de tornillo (Figura 7A).
- B. Instale el clip de seguridad y baje la sierra suavemente hasta que se apoye en la pieza de trabajo (Figura 7B).

⚠ ADVERTENCIA Para impedir que la sierra se separe de la prensa de tornillo durante el funcionamiento, el clip de seguridad debe estar instalado.

Cómo cortar empleando la Prensa de Tornillo 32V

⚠ ADVERTENCIA Asegure que el interruptor de gatillo de la sierra esté en la posición de OFF (apagado). Enchufe la sierra a la fuente de corriente. Sólo emplee la prensa de tornillo a alturas que le permitan mantener el mango de la sierra bien agarrado durante el corte.

1. Agarre el mango de la sierra y levántelo para que la cuchilla no tope a la pieza de trabajo.
2. Oprima el gatillo para echar a andar la sierra. Regule la velocidad cuando sea necesario.



Figura 8

3. Baje la sierra lentamente hasta que la cuchilla toque la pieza de trabajo. Mantenga el mango de la sierra bien agarrado mientras la sierra efectúa el corte con su propio peso. **NO FUERCE** la sierra hacia la pieza de trabajo. Sostenga el peso de la sierra mientras se efectúa el corte.

¡NOTA! Durante el primer corte, la chaveta índice (Figura 8) también se cortará. Se usará la chaveta índice en los cortes siguientes para colocar la prensa de tornillo con precisión alrededor de la pieza de trabajo, de tal manera que el corte vaya siguiendo una línea determinada.

4. Apenas se haya efectuado el corte, suelte el gatillo y desenchufe la sierra de la fuente de corriente.
5. Saque el clip de seguridad y levante la sierra fuera de la prensa de tornillo.
6. Afloje el tornillo de fijación y retire la prensa de la pieza de trabajo.

¡NOTA! Puede hacerse necesario agregar cuñas (vea la Figura 9) entre el brazo de montaje y la sierra para efectuar un corte de 90°. Vea las siguientes instrucciones. Las arandelas de cuña vienen incluidas en el estuche.

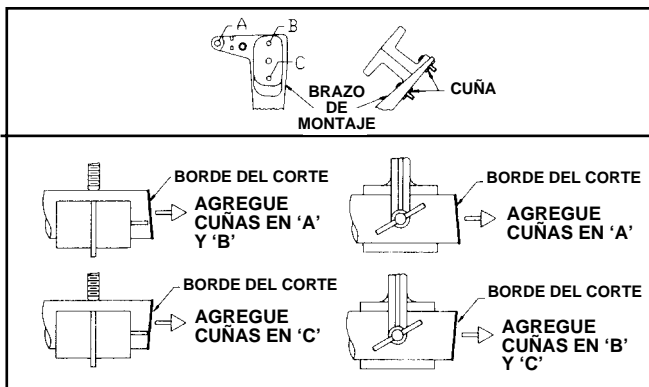


Figura 9

Procedimientos especiales

Recambio de cuchilla

⚠ ADVERTENCIA Asegure que el cordón de suministro esté desenchufado antes de cambiar la cuchilla.

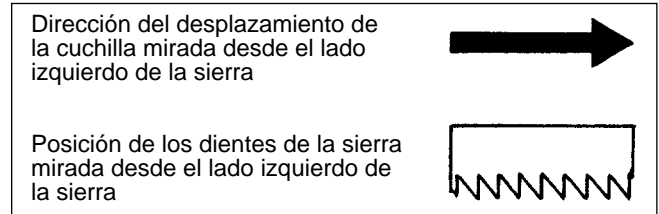


Figura 10 – Posición correcta de la cuchilla de la sierra

1. Gire el mango de la tensión de la cuchilla, ubicado en la parte delantera de la sierra, en el sentido de las agujas del reloj en 180°, para que apunte FORWARD (hacia adelante). Así se reduce la tensión de la cuchilla.
2. Saque la cuchilla, primero desde las poleas y luego desde las guías.
3. Inserte una nueva cuchilla entre los rodillos y las caras de las guías.

¡NOTA! Asegure que los dientes de la cuchilla, mirados desde el lado izquierdo de la sierra, apunten hacia la parte posterior de la sierra. Si están apuntando hacia la parte delantera de la sierra, saque la cuchilla y vuélvala del revés. (Figura 10)

4. Mantenga la cuchilla en su lugar entre los rodillos y guías con una mano mientras la coloca alrededor de las poleas con la otra mano.
5. Gire el mango de la tensión de la cuchilla, en la parte delantera de la sierra, en sentido contrario a las agujas del reloj hacia la parte posterior de la sierra. La cuchilla quedará sujeta firmemente por las poleas.
6. Apriete el gatillo un par de veces para asegurar que la cuchilla trabaje bien y que el resorte vuelva a la posición de OFF.

Regulación de la trayectoria de la cuchilla

Esta sierra de banda está dotada de un mecanismo para regular la trayectoria de la cuchilla. Cuando se encuentra bien regulado, el borde posterior de la cuchilla topará suavemente contra por lo menos uno de los rodillos de apoyo, pero no presionará con fuerza contra el rodillo. Si la cuchilla no está bien alineada, regúlela así:

⚠ ADVERTENCIA
DESENCHUFE LA SIERRA DE LA FUENTE DE SUMINISTRO.

1. Emplee una llave de 9/16 pulgada para aflojar la tuerca de seguridad de la regulación (vea la Figura 12). Gírela hacia la izquierda, una o dos vueltas.
2. Emplee un destornillador de punta plana para girar el tornillo de la trayectoria en 1/4 de vuelta. Si gira el tornillo hacia la derecha, la cuchilla se moverá hacia arriba, hacia los rodillos guías de la cuchilla. Si gira el tornillo hacia la izquierda, la cuchilla bajará, alejándose de los rodillos guías de la cuchilla.
3. Apriete la tuerca de la regulación.
4. Siguiendo las instrucciones en Cómo echar a andar y parar la sierra, ponga la sierra en marcha y observe la trayectoria de la cuchilla.
5. Si es necesario, repita los pasos 1 al 5 para lograr una alineación correcta de la cuchilla.



Figura 12

Instrucciones de mantenimiento

⚠ ADVERTENCIA Siempre desenchufe la herramienta antes de efectuarle cualquier servicio.

Inspección de las escobillas del motor y lubricación

Después de aproximadamente 100 horas de uso, lleve o envíe esta herramienta al Servicentro Autorizado RIDGID más cercano para una limpieza e inspección profundas. Las partes y piezas desgastadas deben cambiarse; si es necesario, hay que lubricarla y recambiarle las escobillas y chequear su rendimiento.

Si con anterioridad a este chequeo o mantenimiento nota una pérdida de fuerza de la herramienta, debe llevarla de inmediato para que se le haga servicio. Si el voltaje que se está empleando es el correcto, **NO CONTINUE USANDO LA HERRAMIENTA EN ESTAS CONDICIONES.**

Ventilación de la sierra

Mantenga limpias las salidas y entradas de aire para que el motor en marcha permanezca fresco. Sople las vías de refrigeración ocasionalmente para que el motor esté limpio.

Tabla de cuchillas	Grosor del material a cortar	Dientes por pulgada	Tipo
Aluminio, fierro angular, fierro forjado, bronce, latón, cobre, tubería galvanizada, acero dulce y, también, cables eléctricos de hasta 3 1/4 pulgadas de diámetro	5/32 a 1/2 pulg.	14	acero de carbono
Fierro angular, bronce, latón, cobre, tubería galvanizada, tubería de pared delgada, acero dulce	1/8 a 1/4 pulg.	18	
Fierro angular, bronce, latón, cobre, fierro forjado, tubería galvanizada, cromo, tungsteno y acero inoxidable a baja velocidad	3/32 a 3/8 pulg.	24	
Aluminio, fierro angular, fierro forjado, bronce, latón, cobre, tubería galvanizada, acero dulce, aceros más duros, acerocromo, y acero al tungsteno a baja velocidad. También, cables eléctricos	5/32 a 3/4 pulg.	14	bimetálica
Fierro angular, bronce, latón, cobre, tubería galvanizada, tubería de pared delgada, acero dulce, acerocromo y acero al tungsteno a baja velocidad	1/8 a 1/2 pulg.	18	
Fierro angular, bronce, latón, cobre, fierro forjado, tubería galvanizada, acero dulce, cromo, tungsteno y acero inoxidable a baja velocidad	3/32 a 1/8 pulg.	24	

Figura 11 – Tabla de selección de cuchillas

Almacenamiento de la herramienta

⚠ ADVERTENCIA Los equipos a motor deben guardarse dentro, bajo techo, o muy bien cubiertos para guarecerlos de la lluvia. Almacene la sierra bajo llave, fuera del alcance de los niños y personas que no conocen su manejo. Esta sierra de banda portátil puede causar graves lesiones en manos de usuarios sin entrenamiento.

Servicio y reparaciones

⚠ ADVERTENCIA



Las instrucciones de Mantenimiento cubren la mayor parte de los servicios que requiere esta sierra. Cualquier problema no tratado en esta sección debe ser resuelto únicamente por un técnico autorizado de RIDGID.

La herramienta debe llevarse a un Servicentro Independiente Autorizado RIDGID o devuelta a la fábrica. Todo servicio efectuado por un taller de reparaciones Ridge está garantizado contra defectos de los materiales o de la mano de obra.

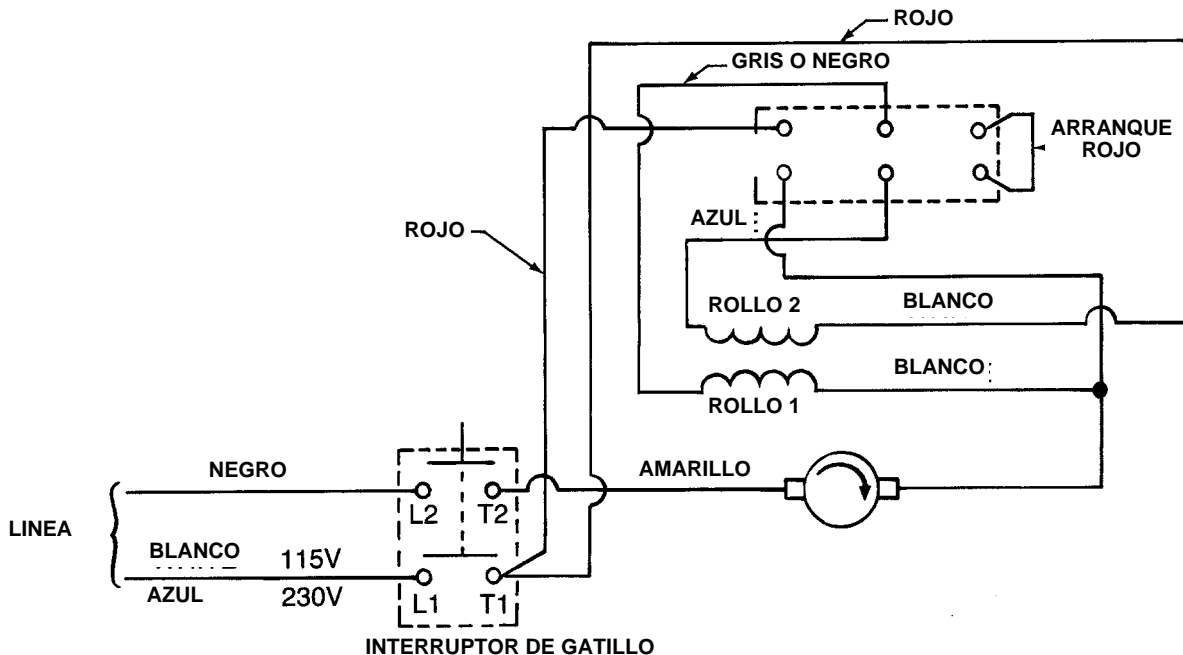
⚠ ADVERTENCIA Sólo deben usarse piezas de recambio idénticas cuando se le hace mantenimiento a esta máquina. Si no se siguen estas instrucciones, pueden producirse choques eléctricos u otras lesiones graves.

Si Ud. tiene cualquier pregunta relativa al servicio o reparación de esta máquina, llame o escriba a:

Ridge Tool Company
 Technical Service Department
 400 Clark Street
 Elyria, Ohio 44035-6001
 Teléfono: (800) 519-3456
 E-mail: TechServices@ridgid.com

Para obtener el nombre y la dirección del Servicentro Autorizado más cercano a Ud., llame al (800) 519-3456 o visítenos en <http://www.ridgid.com>

Diagrama de cableado del Modelo 932 (115/230V, 50-60Hz)





What is covered

RIDGID® tools are warranted to be free of defects in workmanship and material.

How long coverage lasts

This warranty lasts for the lifetime of the RIDGID® tool. Warranty coverage ends when the product becomes unusable for reasons other than defects in workmanship or material.

How you can get service

To obtain the benefit of this warranty, deliver via prepaid transportation the complete product to RIDGE TOOL COMPANY, Elyria, Ohio, or any authorized RIDGID® INDEPENDENT SERVICE CENTER. Pipe wrenches and other hand tools should be returned to the place of purchase.

What we will do to correct problems

Warranted products will be repaired or replaced, at RIDGE TOOL'S option, and returned at no charge; or, if after three attempts to repair or replace during the warranty period the product is still defective, you can elect to receive a full refund of your purchase price.

What is not covered

Failures due to misuse, abuse or normal wear and tear are not covered by this warranty. RIDGE TOOL shall not be responsible for any incidental or consequential damages.

How local law relates to the warranty

Some states do not allow the exclusion or limitation of incidental or consequential damages, so the above limitation or exclusion may not apply to you. This warranty gives you specific rights, and you may also have other rights, which vary, from state to state, province to province, or country to country.

No other express warranty applies

This FULL LIFETIME WARRANTY is the sole and exclusive warranty for RIDGID® products. No employee, agent, dealer, or other person is authorized to alter this warranty or make any other warranty on behalf of the RIDGE TOOL COMPANY.



Ce qui est couvert

Les outils RIDGE® sont garantis contre tous vices de matériaux et de main d'oeuvre.

Durée de couverture

Cette garantie est applicable durant la vie entière de l'outil RIDGE®. La couverture cesse dès lors que le produit devient inutilisable pour raisons autres que des vices de matériaux ou de main d'oeuvre.

Pour invoquer la garantie

Pour toutes réparations au titre de la garantie, il convient d'expédier le produit complet en port payé à la RIDGE TOOL COMPANY, Elyria, Ohio, ou bien le remettre à un réparateur RIDGID® agréé. Les clés à pipe et autres outils à main doivent être ramenés au lieu d'achat.

Ce que nous ferons pour résoudre le problème

Les produits sous garantie seront à la discrétion de RIDGE TOOL, soit réparés ou remplacés, puis réexpédiés gratuitement ; ou si, après trois tentatives de réparation ou de remplacement durant la période de validité de la garantie le produit s'avère toujours défectueux, vous aurez l'option de demander le remboursement intégral de son prix d'achat.

Ce qui n'est pas couvert

Les défaillances dues au mauvais emploi, à l'abus ou à l'usure normale ne sont pas couvertes par cette garantie. RIDGE TOOL ne sera tenue responsable d'aucuns dommages directs ou indirects.

L'influence de la législation locale sur la garantie

Puisque certaines législations locales interdisent l'exclusion des dommages directs ou indirects, il se peut que la limitation ou exclusion ci-dessus ne vous soit pas applicable. Cette garantie vous donne des droits spécifiques qui peuvent être éventuellement complétés par d'autres droits prévus par votre législation locale.

Il n'existe aucune autre garantie expresse

Cette GARANTIE PERPETUELLE INTEGRALE est la seule et unique garantie couvrant les produits RIDGID®. Aucun employé, agent, distributeur ou tiers n'est autorisé à modifier cette garantie ou à offrir une garantie supplémentaire au nom de la RIDGE TOOL COMPANY.



Qué cubre

Las herramientas RIDGID están garantizadas contra defectos de la mano de obra y de los materiales empleados en su fabricación.

Duración de la cobertura

Esta garantía cubre a la herramienta RIDGID durante toda su vida útil. La cobertura de la garantía caduca cuando el producto se torna inservible por razones distintas a las de defectos en la mano de obra o en los materiales.

Cómo obtener servicio

Para obtener los beneficios de esta garantía, envíe mediante porte pagado, la totalidad del producto a RIDGE TOOL COMPANY, en Elyria, Ohio, o a cualquier Servicentro Independiente RIDGID. Las llaves para tubos y demás herramientas de mano deben devolverse a la tienda donde se adquirieron.

Lo que hacemos para corregir el problema

El producto bajo garantía será reparado o reemplazado por otro, a discreción de RIDGE TOOL, y devuelto sin costo; o, si aún resulta defectuoso después de haber sido reparado o sustituido tres veces durante el periodo de su garantía, Ud. puede optar por recibir un reembolso por el valor total de su compra.

Lo que no está cubierto

Esta garantía no cubre fallas debido al mal uso, abuso o desgaste normal. RIDGE TOOL no se hace responsable de daño incidental o consiguiente alguno.

Relación entre la garantía y las leyes locales

Algunos estados de los EE.UU. no permiten la exclusión o restricción referente a daños incidentales o consiguientes. Por lo tanto, puede que la limitación o restricción mencionada anteriormente no rija para Ud. Esta garantía le otorga derechos específicos, y puede que, además, Ud tenga otros derechos, los cuales varían de estado a estado, provincia a provincia o país a país.

No rige ninguna otra garantía expresa

Esta GARANTIA VITALICIA es la única y exclusiva garantía para los productos RIDGID. Ningún empleado, agente, distribuidor u otra persona está autorizado para modificar esta garantía u ofrecer cualquier otra garantía en nombre de RIDGE TOOL COMPANY.

Ridge Tool Company
400 Clark Street
Elyria, Ohio 44035-6001



Free Manuals Download Website

<http://myh66.com>

<http://usermanuals.us>

<http://www.somanuals.com>

<http://www.4manuals.cc>

<http://www.manual-lib.com>

<http://www.404manual.com>

<http://www.luxmanual.com>

<http://aubethermostatmanual.com>

Golf course search by state

<http://golfingnear.com>

Email search by domain

<http://emailbydomain.com>

Auto manuals search

<http://auto.somanuals.com>

TV manuals search

<http://tv.somanuals.com>