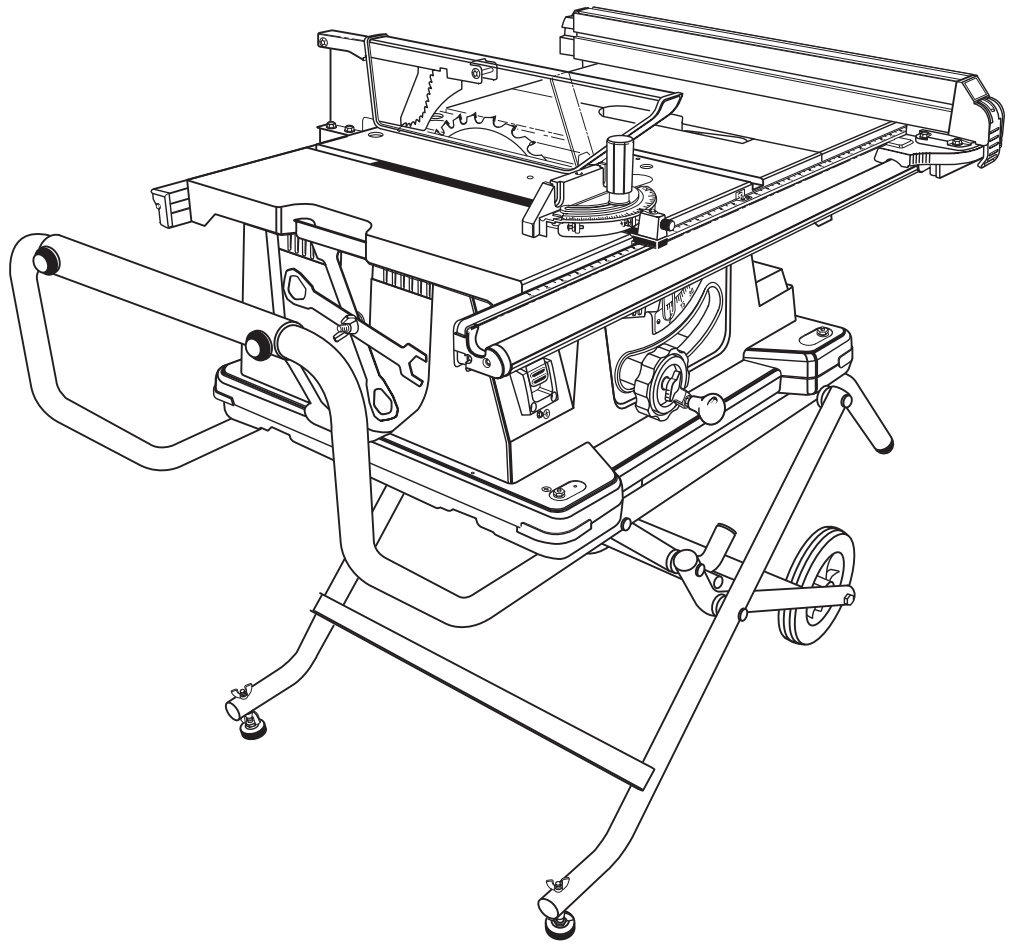


# OPERATOR'S MANUAL

## 10 in. TABLE SAW TS2410LS



Your table saw has been engineered and manufactured to our high standards for dependability, ease of operation, and operator safety. When properly cared for, it will give you years of rugged, trouble-free performance.

**⚠ WARNING:**

To reduce the risk of injury, the user must read and understand the operator's manual before using this product.

Thank you for buying a RIDGID® product.

**SAVE THIS MANUAL FOR FUTURE REFERENCE**

# TABLE OF CONTENTS

---

■ Introduction .....	2
■ General Safety Rules .....	3-4
■ Specific Safety Rules.....	4-5
■ Symbols.....	6-7
■ Electrical .....	8
■ Glossary of Terms.....	9
■ Features.....	10-12
■ Tools Needed.....	13
■ Loose Parts.....	13
■ Assembly .....	14-20
■ Operation.....	20-34
■ Adjustments.....	35-39
■ Maintenance .....	40-41
■ Accessories .....	41
■ Troubleshooting .....	42-43
■ Warranty .....	45
■ Parts Ordering/Service .....	Back Page

## INTRODUCTION

---

This tool has many features for making its use more pleasant and enjoyable. Safety, performance, and dependability have been given top priority in the design of this product making it easy to maintain and operate.

# GENERAL SAFETY RULES

---



## WARNING:

**Read and understand all instructions.** Failure to follow all instructions listed below, may result in electric shock, fire and/or serious personal injury.

---

## READ ALL INSTRUCTIONS

- **KNOW YOUR POWER TOOL.** Read the operator's manual carefully. Learn the saw's applications and limitations as well as the specific potential hazards related to this tool.
- **GUARD AGAINST ELECTRICAL SHOCK BY PREVENTING BODY CONTACT WITH GROUNDED SURFACES.** For example, pipes, radiators, ranges, refrigerator enclosures.
- **KEEP GUARDS IN PLACE** and in good working order.
- **REMOVE ADJUSTING KEYS AND WRENCHES.** Form habit of checking to see that keys and adjusting wrenches are removed from tool before turning it on.
- **KEEP WORK AREA CLEAN.** Cluttered areas and benches invite accidents. **DO NOT** leave tools or pieces of wood on the saw while it is in operation.
- **DO NOT USE IN DANGEROUS ENVIRONMENTS.** Do not use power tools in damp or wet locations or expose to rain. Keep the work area well lit.
- **KEEP CHILDREN AND VISITORS AWAY.** All visitors should wear safety glasses and be kept a safe distance from work area. Do not let visitors contact tool or extension cord while operating.
- **MAKE WORKSHOP CHILDPROOF** with padlocks and master switches, or by removing starter keys.
- **DON'T FORCE TOOL.** It will do the job better and safer at the feed rate for which it was designed.
- **USE RIGHT TOOL.** Don't force the tool or attachment to do a job it was not designed for. Don't use it for a purpose not intended.
- **USE THE PROPER EXTENSION CORD.** Make sure your extension cord is in good condition. Use only a cord heavy enough to carry the current your product will draw. An undersized cord will cause a drop in line voltage resulting in loss of power and overheating. A wire gauge size (A.W.G.) of at least **14** is recommended for an extension cord 25 feet or less in length. If in doubt, use the next heavier gauge. The smaller the gauge number, the heavier the cord.
- **DRESS PROPERLY.** Do not wear loose clothing, gloves, neckties, or jewelry. They can get caught and draw you into moving parts. Rubber gloves and nonskid footwear are recommended when working outdoors. Also wear protective hair covering to contain long hair.
- **ALWAYS WEAR SAFETY GLASSES WITH SIDE SHIELDS.** Everyday eyeglasses have only impact-resistant lenses, they are **NOT** safety glasses.
- **SECURE WORK.** Use clamps or a vise to hold work when practical. It's safer than using your hand and frees both hands to operate tool.
- **DON'T OVERREACH.** Keep proper footing and balance at all times.
- **MAINTAIN TOOLS WITH CARE.** Keep tools sharp and clean for better and safer performance. Follow instructions for lubricating and changing accessories.
- **DISCONNECT TOOLS.** When not in use, before servicing, or when changing attachments, blades, bits, cutters, etc., all tools should be disconnected.
- **AVOID ACCIDENTAL STARTING.** Be sure switch is off when plugging in any tool.
- **USE RECOMMENDED ACCESSORIES.** Consult the operator's manual for recommended accessories. The use of improper accessories may risk injury.
- **NEVER STAND ON TOOL.** Serious injury could occur if the tool is tipped or if the cutting tool is unintentionally contacted.
- **CHECK DAMAGED PARTS.** Before further use of the tool, a guard or other part that is damaged should be carefully checked to determine that it will operate properly and perform its intended function. Check for alignment of moving parts, binding of moving parts, breakage of parts, mounting and any other conditions that may affect its operation. A guard or other part that is damaged must be properly repaired or replaced by an authorized service center to avoid risk of personal injury.
- **USE THE RIGHT DIRECTION OF FEED.** Feed work into a blade or cutter against the direction of rotation of blade or cutter only.
- **NEVER LEAVE TOOL RUNNING UNATTENDED. TURN THE POWER OFF.** Don't leave tool until it comes to a complete stop.
- **PROTECT YOUR LUNGS.** Wear a face or dust mask if the cutting operation is dusty.
- **PROTECT YOUR HEARING.** Wear hearing protection during extended periods of operation.
- **DO NOT ABUSE CORD.** Never yank cord to disconnect from receptacle. Keep cord from heat, oil, and sharp edges.
- **USE OUTDOOR EXTENSION CORDS.** When tool is used outdoors, use only extension cords with approved ground connection that are intended for use outdoors and so marked.
- **ALWAYS KEEP THE BLADE GUARD AND SPREADER (SPLITTER) IN PLACE** and in working order.
- **KEEP BLADES CLEAN, SHARP, AND WITH SUFFICIENT SET.** Sharp blades minimize stalling and kickback.
- **KEEP HANDS AWAY FROM CUTTING AREA.** Keep hands away from blades. Do not reach underneath work or around or over the blade while blade is rotating. Do not attempt to remove cut material when blade is moving.

# GENERAL SAFETY RULES

---

- **BLADE COASTS AFTER BEING TURNED OFF.**
- **NEVER USE IN AN EXPLOSIVE ATMOSPHERE.** Normal sparking of the motor could ignite fumes.
- **INSPECT TOOL CORDS PERIODICALLY.** If damaged, have repaired by a qualified service technician at an authorized service facility. The conductor with insulation having an outer surface that is green with or without yellow stripes is the equipment-grounding conductor. If repair or replacement of the electric cord or plug is necessary, do not connect the equipment-grounding conductor to a live terminal. Repair or replace a damaged or worn cord immediately. Stay constantly aware of cord location and keep it well away from the rotating blade.
- **INSPECT EXTENSION CORDS PERIODICALLY** and replace if damaged.
- **GROUND ALL TOOLS.** If tool is equipped with three-prong plug, it should be plugged into a three-hole electrical receptacle.
- **CHECK WITH A QUALIFIED ELECTRICIAN** or service personnel if the grounding instructions are not completely understood or if in doubt as to whether the tool is properly grounded.
- **USE ONLY CORRECT ELECTRICAL DEVICES:** 3-wire extension cords that have 3-prong grounding plugs and 3-pole receptacles that accept the tool's plug.
- **DO NOT MODIFY** the plug provided. If it will not fit the outlet, have the proper outlet installed by a qualified electrician.
- **KEEP TOOL DRY, CLEAN, AND FREE FROM OIL AND GREASE.** Always use a clean cloth when cleaning. Never use brake fluids, gasoline, petroleum-based products, or any solvents to clean tool.
- **STAY ALERT AND EXERCISE CONTROL.** Watch what you are doing and use common sense. Do not operate tool when you are tired. Do not rush.
- **DO NOT USE TOOL IF SWITCH DOES NOT TURN IT ON AND OFF.** Have defective switches replaced by an authorized service center.
- **USE ONLY CORRECT BLADES.** Do not use blades with incorrect size holes. Never use blade washers or blade bolts that are defective or incorrect. The maximum blade capacity of your saw is 10 in. (254 mm).
- **BEFORE MAKING A CUT, BE SURE ALL ADJUSTMENTS ARE SECURE.**
- **BE SURE BLADE PATH IS FREE OF NAILS.** Inspect for and remove all nails from lumber before cutting.
- **NEVER TOUCH BLADE** or other moving parts during use.
- **NEVER START A TOOL WHEN ANY ROTATING COMPONENT IS IN CONTACT WITH THE WORKPIECE.**
- **DO NOT OPERATE A TOOL WHILE UNDER THE INFLUENCE OF DRUGS, ALCOHOL, OR ANY MEDICATION.**
- **WHEN SERVICING** use only identical replacement parts. Use of any other parts may create a hazard or cause product damage.
- **USE ONLY RECOMMENDED ACCESSORIES** listed in this manual or addendums. Use of accessories that are not listed may cause the risk of personal injury. Instructions for safe use of accessories are included with the accessory.
- **DOUBLE CHECK ALL SETUPS.** Make sure blade is tight and not making contact with saw or workpiece before connecting to power supply.

# SPECIFIC SAFETY RULES

---

- **GUARD AGAINST KICKBACK.** Kickback occurs when the blade stalls rapidly and workpiece is driven back towards the operator. It can pull your hand into the blade resulting in serious personal injury. Stay out of blade path and turn switch off immediately if blade binds or stalls.
- **USE RIP FENCE.** Always use a fence or straight edge guide when ripping.
- **SUPPORT LARGE PANELS.** To minimize risk of blade pinching and kickback, always support large panels.
- **REMOVE ALL FENCES AND AUXILIARY TABLES** before transporting saw. Failure to do so can result in an accident causing possible serious personal injury.
- **ALWAYS USE BLADE GUARD, SPREADER, AND ANTI-KICKBACK PAWLS** on all "through-sawing" operations. Through-sawing operations are those in which the blade cuts completely through the workpiece as in ripping or cross cutting. Keep the blade guard down, the anti-kickback pawls down, and the riving knife/spreader/splitter properly aligned to the saw blade.
- **ALWAYS SECURE WORK** firmly against rip fence, miter fence, or miter gauge.
- **ALWAYS USE A PUSH STICK FOR RIPPING NARROW STOCK.** A push stick is a device used to push a workpiece through the blade instead of using your hands. Size and shape can vary but the push stick must always be narrower than the workpiece to prevent the push stick from contacting the saw blade. When ripping narrow stock, always use a push stick, so your hand does not come closer than three inches to the saw blade. Use a featherboard and push blocks for all non-through cuts.
- **NEVER** perform any operation "freehand" which means using only your hands to support or guide the workpiece. Always use either the rip fence or miter fence to position and guide the work.
- **NEVER** stand or have any part of your body in line with the path of the saw blade.
- **NEVER** reach behind, over, or within three inches of the blade or cutter with either hand for any reason.

# SPECIFIC SAFETY RULES

---

- **ALWAYS REMOVE THE RIP FENCE** from the saw when cross cutting.
- **DO NOT USE THE MITER GAUGE AND RIP FENCE** during the same operation.
- **NEVER** use rip fence as cutoff gauge when cross cutting.
- **NEVER** attempt to free a stalled saw blade without first turning the saw **OFF** and disconnecting the saw from the power source.
- **PROVIDE ADEQUATE SUPPORT** to the rear and sides of the saw table for wide or long work pieces. Use a sturdy “outrigger” support if a table extension more than 24 inches long is attached to the saw.
- **AVOID KICKBACKS** (work thrown back toward you) by:
  - a) Keeping blade sharp.
  - b) Keeping rip fence parallel to the saw blade.
  - c) Keeping riving knife/spreader/splitter, anti-kickback pawls, and blade guard in place and operating.
  - d) Not releasing the work before it is pushed all the way past the saw blade using a push stick.
  - e) Not ripping work that is twisted or warped or does not have a straight edge to guide along the fence.
- **IF THE POWER SUPPLY CORD IS DAMAGED**, it must be replaced only by the manufacturer or by an authorized service center to avoid risk.
- **AVOID AWKWARD OPERATIONS AND HAND POSITIONS** where a sudden slip could cause your hand to move into the cutting tool.
- **USE ONLY RECOMMENDED ACCESSORIES** listed in this manual or addendums. Use of accessories that are not listed may cause the risk of personal injury. Instructions for safe use of accessories are included with the accessory.
- **MAKE SURE THE WORK AREA HAS AMPLE LIGHTING** to see the work and that no obstructions will interfere with safe operation **BEFORE** performing any work using the table saw.
- **ALWAYS TURN OFF SAW** before disconnecting it, to avoid accidental starting when reconnecting to power supply.
- **THIS TOOL** should have the following markings:
  - a) Wear eye protection.
  - b) Use saw blade guard and riving knife/spreader/splitter for every operation for which it can be used, including all through sawing.
  - c) Keep hands out of the line of saw blade.
  - d) Use a push stick when required.
  - e) Pay particular attention to instructions on reducing risk of kickback.
  - f) Do not perform any operation freehand.
  - g) Never reach around or over the saw blade.
- **SAVE THESE INSTRUCTIONS.** Refer to them frequently and use to instruct other users. If you loan someone this tool, loan them these instructions also.



## WARNING:

Some dust created by power sanding, sawing, grinding, drilling, and other construction activities contains chemicals known to cause cancer, birth defects or other reproductive harm. Some examples of these chemicals are:









- lead from lead-based paints,
- crystalline silica from bricks and cement and other masonry products, and
- arsenic and chromium from chemically-treated lumber.

Your risk from these exposures varies, depending on how often you do this type of work. To reduce your exposure to these chemicals: work in a well ventilated area, and work with approved safety equipment, such as those dust masks that are specially designed to filter out microscopic particles.

---




# SYMBOLS

Some of the following symbols may be used on this tool. Please study them and learn their meaning. Proper interpretation of these symbols will allow you to operate the tool better and safer.

SYMBOL	NAME	DESIGNATION/EXPLANATION
V	Volts	Voltage
A	Amperes	Current
Hz	Hertz	Frequency (cycles per second)
W	Watt	Power
min	Minutes	Time
~	Alternating Current	Type of current
==	Direct Current	Type or a characteristic of current
$n_0$	No Load Speed	Rotational speed, at no load
	Class II Construction	Double-insulated construction
.../min	Per Minute	Revolutions, strokes, surface speed, orbits etc., per minute
	Wet Conditions Alert	Do not expose to rain or use in damp locations.
	Read The Operator's Manual	To reduce the risk of injury, user must read and understand operator's manual before using this product.
	Eye Protection	Always wear safety goggles or safety glasses with side shields and, as necessary, a full face shield when operating this product.
	Safety Alert	Precautions that involve your safety.
	No Hands Symbol	Failure to keep your hands away from the blade will result in serious personal injury.
	Pinch Warning	Always watch for movement paying extra attention to potential areas where pinching could occur.
	Hot Surface	To reduce the risk of injury or damage, avoid contact with any hot surface.

# SYMBOLS

The following signal words and meanings are intended to explain the levels of risk associated with this product.

SYMBOL	SIGNAL	MEANING
	<b>DANGER:</b>	Indicates an imminently hazardous situation, which, if not avoided, will result in death or serious injury.
	<b>WARNING:</b>	Indicates a potentially hazardous situation, which, if not avoided, could result in death or serious injury.
	<b>CAUTION:</b>	Indicates a potentially hazardous situation, which, if not avoided, may result in minor or moderate injury.
	<b>CAUTION:</b>	(Without Safety Alert Symbol) Indicates a situation that may result in property damage.

## SERVICE

Servicing requires extreme care and knowledge and should be performed only by a qualified service technician. For service we suggest you return the product to your nearest **AUTHORIZED SERVICE CENTER** for repair. When servicing, use only identical replacement parts.



## WARNING:

To avoid serious personal injury, do not attempt to use this product until you read thoroughly and understand completely the operator's manual. If you do not understand the warnings and instructions in the operator's manual, do not use this product. Call RIDGID customer service for assistance.

## WARNING:



The operation of any power tool can result in foreign objects being thrown into your eyes, which can result in severe eye damage. Before beginning power tool operation, always wear safety goggles or safety glasses with side shields and, when needed, a full face shield. We recommend Wide Vision Safety Mask for use over eyeglasses or standard safety glasses with side shields. Always use eye protection which is marked to comply with ANSI Z87.1.

## SAVE THESE INSTRUCTIONS

# ELECTRICAL

## EXTENSION CORDS

Use only 3-wire extension cords that have 3-prong grounding plugs and 3-pole receptacles that accept the tool's plug. When using a power tool at a considerable distance from the power source, use an extension cord heavy enough to carry the current that the tool will draw. An undersized extension cord will cause a drop in line voltage, resulting in a loss of power and causing the motor to overheat. Use the chart provided below to determine the minimum wire size required in an extension cord. Only round jacketed cords listed by Underwriter's Laboratories (UL) should be used.

\*\*Ampere rating (on tool faceplate)

Cord Length	Wire Size (A.W.G.)					
	0-2.0	2.1-3.4	3.5-5.0	5.1-7.0	7.1-12.0	12.1-16.0
25'	16	16	16	16	14	14
50'	16	16	16	14	14	12
100'	16	16	14	12	10	—

\*\*Used on 12 gauge - 20 amp circuit.

**NOTE:** AWG = American Wire Gauge

When working with the tool outdoors, use an extension cord that is designed for outside use. This is indicated by the letters "WA" on the cord's jacket.

Before using an extension cord, inspect it for loose or exposed wires and cut or worn insulation.

### **WARNING:**

Keep the extension cord clear of the working area. Position the cord so that it will not get caught on lumber, tools or other obstructions while you are working with a power tool. Failure to do so can result in serious personal injury.

### **WARNING:**

Check extension cords before each use. If damaged replace immediately. Never use tool with a damaged cord since touching the damaged area could cause electrical shock resulting in serious injury.

## ELECTRICAL CONNECTION

This tool is powered by a precision built electric motor. It should be connected to a **power supply that is 120 V, 60 Hz, AC only (normal household current)**. Do not operate this tool on direct current (DC). A substantial voltage drop will cause a loss of power and the motor will overheat. If the saw does not operate when plugged into an outlet, double check the power supply.

## SPEED AND WIRING

The no-load speed of this tool is approximately 4,000 rpm. This speed is not constant and decreases under a load or with lower voltage. For voltage, the wiring in a shop is as important as the motor's horsepower rating. A line intended only for lights cannot properly carry a power tool motor. Wire that is heavy enough for a short distance will be too light for a greater distance. A line that can support one power tool may not be able to support two or three tools.

## GROUNDING INSTRUCTIONS

In the event of a malfunction or breakdown, grounding provides a path of least resistance for electric current to reduce the risk of electric shock. This tool is equipped with an electric cord having an equipment-grounding conductor and a grounding plug. The plug must be plugged into a matching outlet that is properly installed and grounded in accordance with all local codes and ordinances.

Do not modify the plug provided. If it will not fit the outlet, have the proper outlet installed by a qualified electrician. Improper connection of the equipment-grounding conductor can result in a risk of electric shock. The conductor with insulation having an outer surface that is green with or without yellow stripes is the equipment-grounding conductor. If repair or replacement of the electric cord or plug is necessary, do not connect the equipment-grounding conductor to a live terminal.

Check with a qualified electrician or service personnel if the grounding instructions are not completely understood, or if in doubt as to whether the tool is properly grounded.

Repair or replace a damaged or worn cord immediately.

This tool is intended for use on a circuit that has an outlet like the one shown in figure 1. It also has a grounding pin like the one shown.

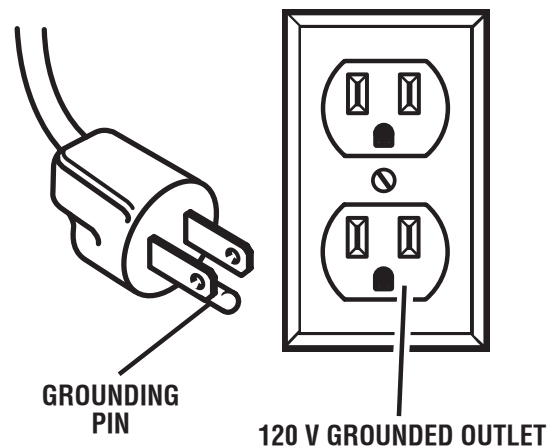


Fig. 1



# GLOSSARY OF TERMS

---

## **Anti-Kickback Pawls (radial arm and table saws)**

A device which, when properly installed and maintained, is designed to stop the workpiece from being kicked back toward the front of the saw during a ripping operation.

## **Arbor**

The shaft on which a blade or cutting tool is mounted.

## **Bevel Cut**

A cutting operation made with the blade at any angle other than 90° to the table surface.

## **Chamfer**

A cut removing a wedge from a block so the end (or part of the end) is angled rather than at 90°.

## **Compound Cut**

A cross cut made with both a miter and a bevel angle.

## **Cross Cut**

A cutting or shaping operation made across the grain or the width of the workpiece.

## **Cutter Head (planers and jointers)**

A rotating piece of adjustable blades. The cutter head removes material from the workpiece.

## **Dado Cut**

A non-through cut which produces a square-sided notch or trough in the workpiece (requires a special blade).

## **Featherboard**

A device used to help control the workpiece by guiding it securely against the table or fence during any ripping operation.

## **FPM or SPM**

Feet per minute (or strokes per minute), used in reference to blade movement.

## **Freehand**

Performing a cut without the workpiece being guided by a fence, miter gauge, or other aids.

## **Gum**

A sticky, sap-based residue from wood products.

## **Heel**

Alignment of the blade to the fence.

## **Kerf**

The material removed by the blade in a through cut or the slot produced by the blade in a non-through or partial cut.

## **Kickback**

A hazard that can occur when the blade binds or stalls, throwing the workpiece back toward operator.

## **Leading End**

The end of the workpiece pushed into the tool first.

## **Miter Cut**

A cutting operation made with the workpiece at any angle to the blade other than 90°.

## **Non-Through Cuts**

Any cutting operation where the blade does not extend completely through the thickness of the workpiece.

## **Pilot Hole (drill presses)**

A small hole drilled in a workpiece that serves as a guide for drilling large holes accurately.

## **Push Blocks (for jointer planers)**

Device used to feed the workpiece over the jointer planer cutterhead during operation. This aid helps keep the operator's hands well away from the cutterhead.

## **Push Blocks and Push Sticks**

Devices used to feed the workpiece through the saw blade during cutting operations. A push stick (not a push block) should be used for narrow ripping operations. These aids help keep the operator's hands well away from the blade.

## **Resaw**

A cutting operation to reduce the thickness of the workpiece to make thinner pieces.

## **Resin**

A sticky, sap-based substance that has hardened.

## **Revolutions Per Minute (RPM)**

The number of turns completed by a spinning object in one minute.

## **Ripping or Rip Cut**

A cutting operation along the length of the workpiece.

## **Riving Knife/Spreader/Splitter (table saws)**

A metal piece, slightly thinner than the blade, which helps keep the kerf open and also helps to prevent kickback.

## **Saw Blade Path**

The area over, under, behind, or in front of the blade. As it applies to the workpiece, that area which will be or has been cut by the blade.

## **Set**

The distance that the tip of the saw blade tooth is bent (or set) outward from the face of the blade.

## **Snipe (planers)**

Depression made at either end of a workpiece by cutter blades when the workpiece is not properly supported.

## **Through Sawing**

Any cutting operation where the blade extends completely through the thickness of the workpiece.

## **Throw-Back**

The throwing back of a workpiece usually caused by the workpiece being dropped into the blade or being placed inadvertently in contact with the blade.

## **Workpiece or Material**

The item on which the operation is being done.

## **Worktable**

Surface where the workpiece rests while performing a cutting, drilling, planing, or sanding operation.

# FEATURES

## PRODUCT SPECIFICATIONS

Blade Diameter..... 10 in.  
Blade Arbor .....5/8 in.  
Cutting Depth at 90°..... 3-1/8 in.  
Cutting Depth at 45°..... 2-1/4 in.

Rating ..... 120 V, AC Only, 60 Hz, 15 Amps  
Output Speed.....4,000 r/min. (RPM)

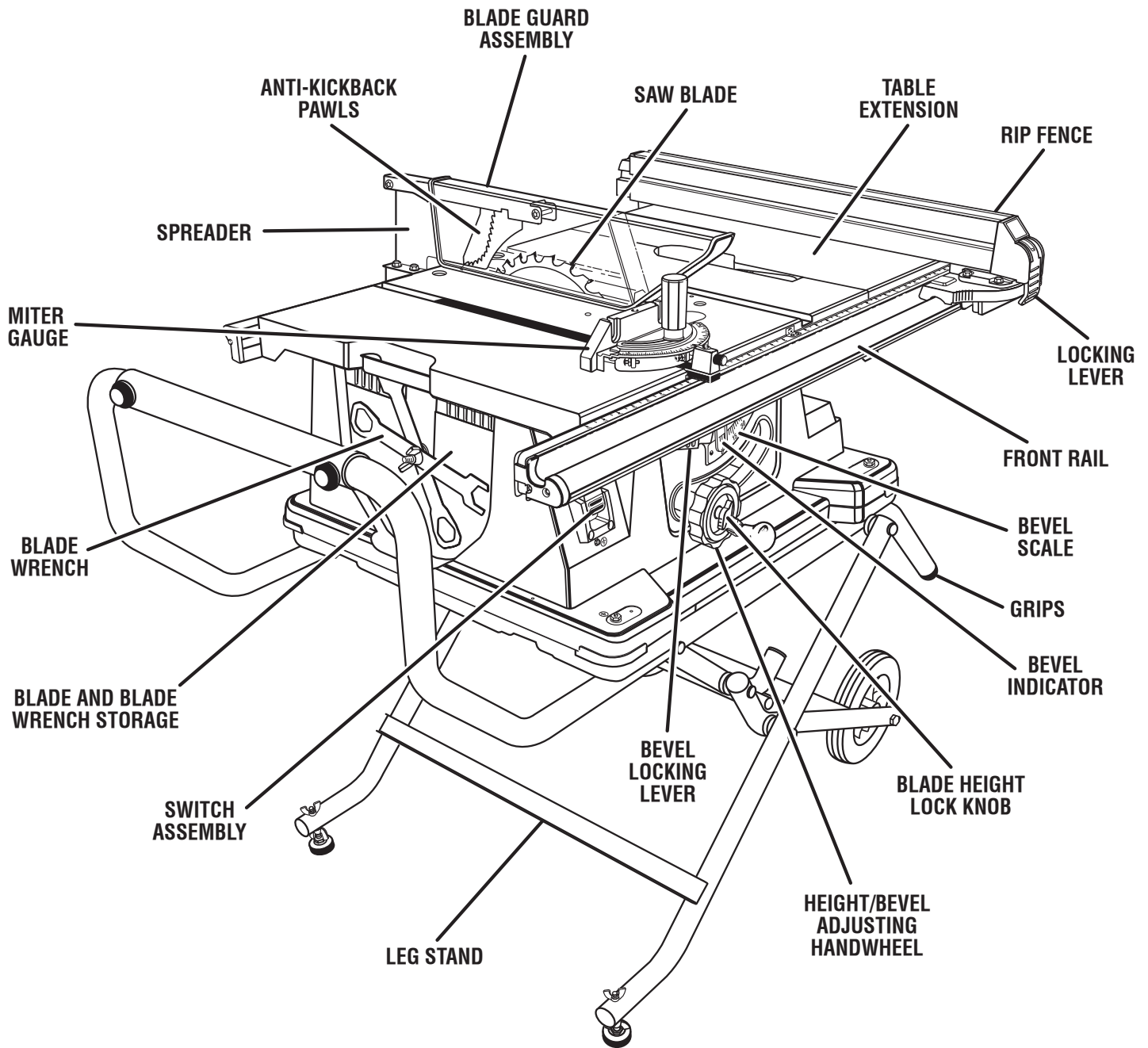


Fig. 3

# FEATURES

---

## KNOW YOUR TABLE SAW

See Figure 3.

The safe use of this product requires an understanding of the information on the tool and in this operator's manual as well as a knowledge of the project you are attempting. Before use of this product, familiarize yourself with all operating features and safety rules.

**15 AMP MOTOR WITH SOFT START** - The saw has a powerful 15 amp motor with sufficient power to handle tough cutting jobs. It is made with all ball bearings, and has externally accessible brushes for ease of servicing.

**ANTI-KICKBACK PAWLS** - Kickback is a hazard in which the workpiece is thrown back toward the operator. The teeth on the anti-kickback pawls point away from the workpiece. If the workpiece should be pulled back toward the operator, the teeth dig into the wood to help prevent or reduce the possibility of kickback.

**BEVEL SCALE** - The easy-to-read scale on the front of the workstand shows the exact blade angle.

**BLADE** - For maximum performance, it is recommended that you use the 10 in. carbide tipped combination blade provided with your saw. The blade is raised and lowered with the height/bevel adjusting handwheel. Bevel angles are locked with the bevel locking lever. Additional blade styles of the same high quality are available for specific operations such as ripping. Your local dealer can provide you with complete information.

---

### WARNING:

Do not use blades rated less than the speed of this tool. Failure to heed this warning could result in personal injury.

---

**BLADE GUARD** - Always keep the guard down over the blade for through-sawing cuts.

**BLADE HEIGHT LOCK KNOB** - This knob, in the center of the height/bevel adjusting handwheel, locks the blade in place.

**BEVEL LOCKING LEVER** - This lever under the worktable surface on the front of the cabinet, locks the angle setting of the blade.

**HEIGHT/BEVEL ADJUSTING HANDWHEEL** - Located on the front of the cabinet, this handwheel is used to lower and raise the blade for adjustments or blade replacement. The handwheel also makes the adjustment for bevel angles easy.

**IND-I-CUT™ ALIGNMENT DISC** - A plastic insert on which marks may be made to indicate the location of the cut on the workpiece.

**LOCKING LEVER** - The lever on the front of the rip fence releases the rip fence or locks it in place.

**MITER GAUGE** - This miter gauge aligns the wood for a cross cut. The easy-to-read indicator shows the exact angle for a miter cut, with positive stops at 0° and 45°.

**MITER GAUGE GROOVES** - The miter gauge rides in these grooves on either side of the blade.

**RAILS** - Front and rear rails provide support for the rip fence.

**RIP FENCE** - A sturdy metal fence guides the workpiece and is secured with the locking lever. Grooves run along the top and sides of the rip fence for use with optional clamps and accessories.

**SCALE** - Located on the front rail, the easy-to-read scale provides precise measurements for rip cuts.

**SPREADER** - A metal piece of the blade guard assembly, slightly thinner than the saw blade, which helps keep the kerf open and prevent kickback.

**SWITCH ASSEMBLY** - This saw has an easy access power switch located below the front rail. To lock the switch in the **OFF** position, remove the yellow switch key from the switch. Place the key in a location that is inaccessible to children and others not qualified to use the tool.

# FEATURES

## OPERATING COMPONENTS

The upper portion of the blade projects up through the table and is surrounded by an insert called the throat plate. The height of the blade is set with a handwheel on the front of the cabinet. To accommodate wide panels, the saw table has rails on each side. Detailed instructions are provided in the *Operation* section of this manual for the basic cuts: cross cuts, miter cuts, bevel cuts, and compound cuts.

The rip fence is used to position work for lengthwise cuts. A scale on the front rail shows the distance between the rip fence and the blade.

It is very important to use the blade guard assembly for all through-sawing operations. The blade guard assembly includes: spreader/splitter, anti-kickback pawls, and plastic blade guard.

## SWITCH ASSEMBLY

This saw is equipped with a switch assembly that has a built-in locking feature. This feature is intended to prevent unauthorized and possible hazardous use by children and others.

### TO TURN YOUR SAW ON:

- With the switch key inserted into the switch, lift the switch to turn **ON ( I )**.

### TO TURN YOUR SAW OFF:

- Press the switch down to turn **OFF ( O )**.

### TO LOCK YOUR SAW:

- Press the switch down.
- Remove the switch key from the switch and store in a safe, secure location.

### **⚠** WARNING:

Always remove the switch key when the tool is not in use and keep it in a safe place. In the event of a power failure, turn the switch **OFF ( O )** and remove the key. This action will prevent the tool from accidentally starting when power returns.

### **⚠** WARNING:

**ALWAYS** make sure your workpiece is not in contact with the blade before operating the switch to start the tool. Failure to heed this warning may cause the workpiece to be kicked back toward the operator and result in serious personal injury..

### **⚠** WARNING:

To reduce the risk of accidental starting, always make sure the switch is in the **OFF ( O )** position before plugging tool into the power source.

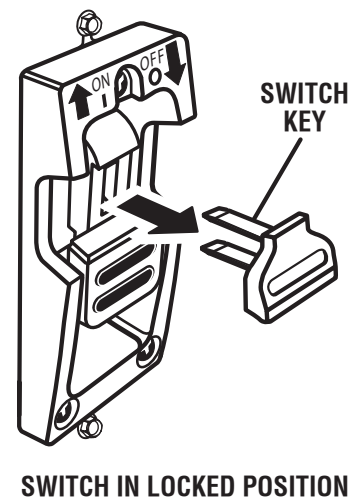
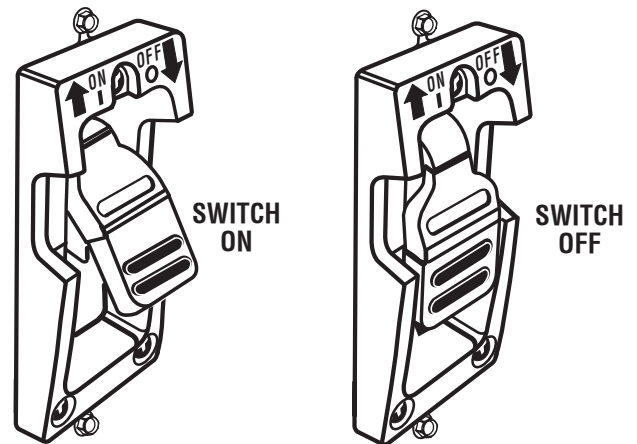
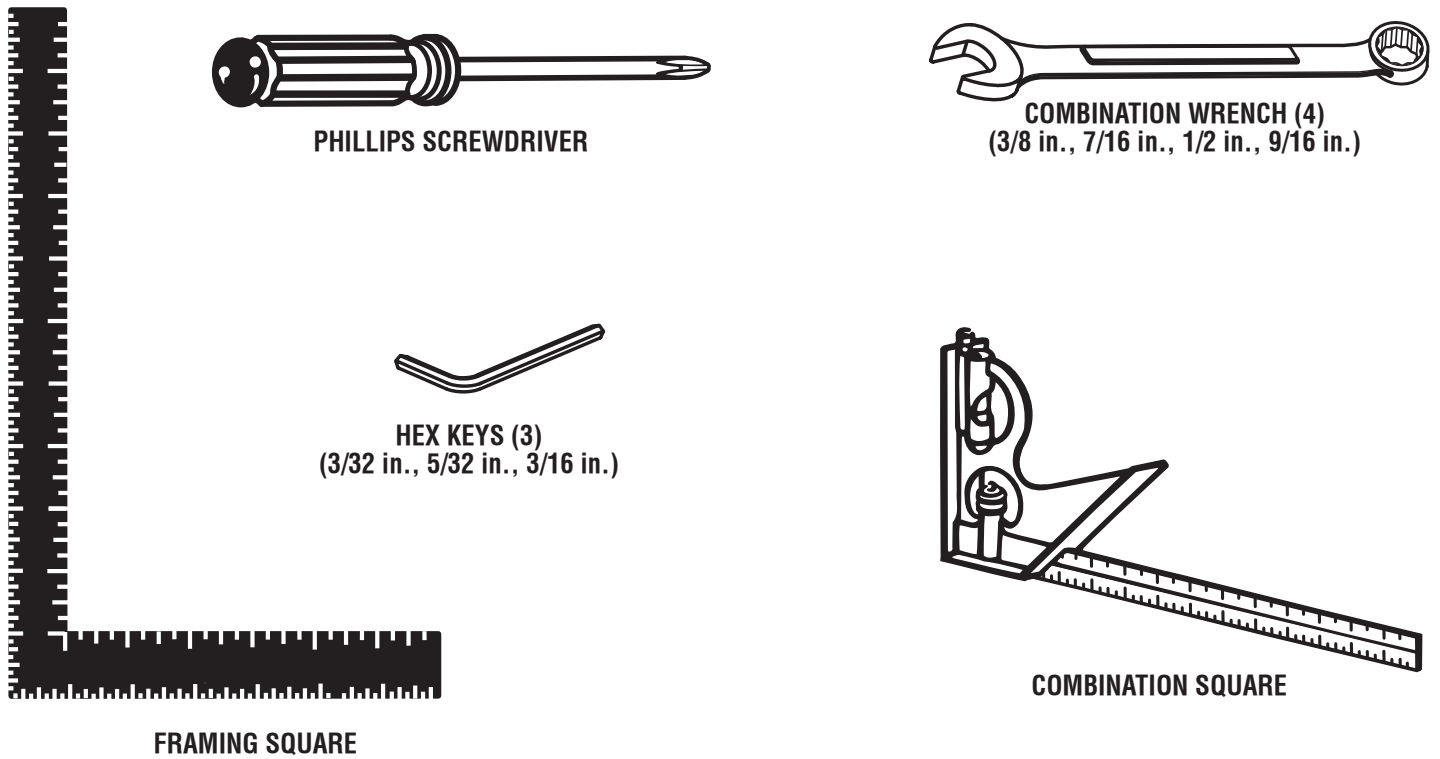


Fig. 4

# TOOLS NEEDED

---

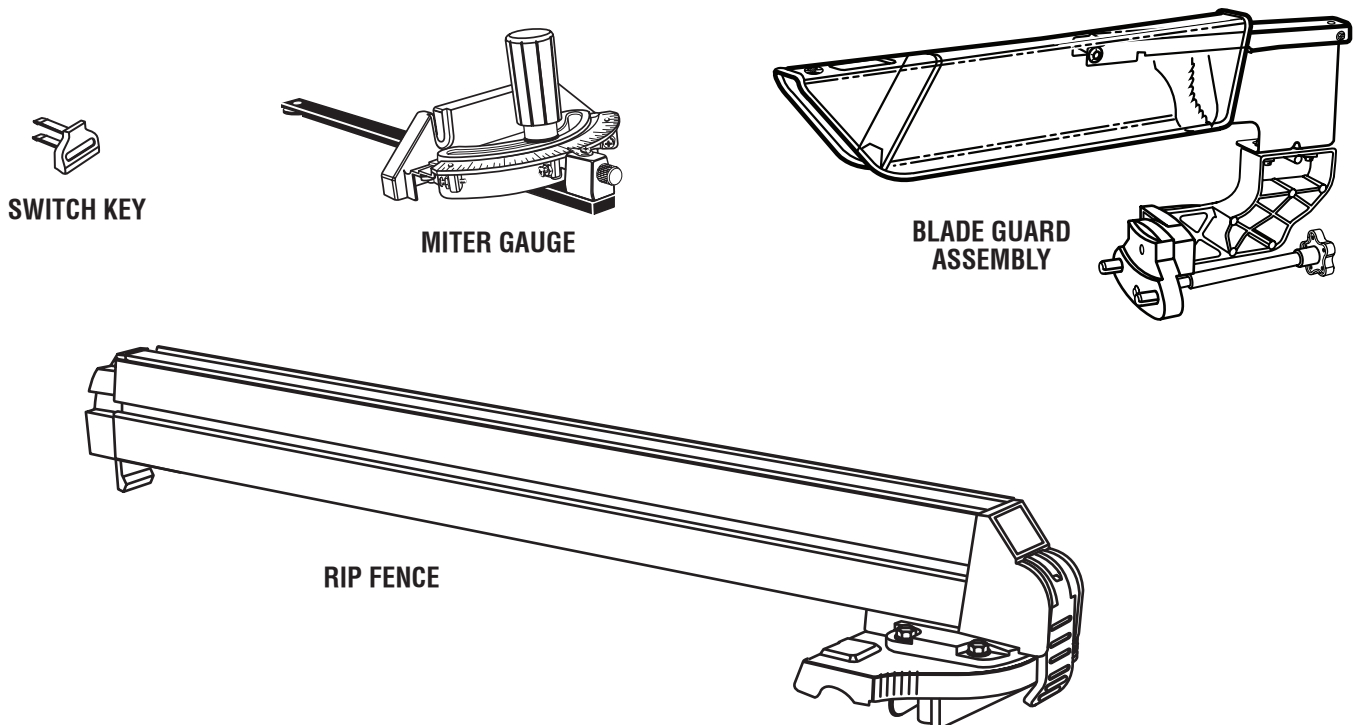
The following tools (not included) are needed for assembly and adjustments:



# LOOSE PARTS LIST

---

The following items are included with your table saw:



# ASSEMBLY

---

## UNPACKING

This product requires assembly.

- Carefully lift saw from the carton and place saw on the side with the wheels.

**NOTE:** This tool is heavy. To avoid back injury, keep your knees bent and lift with your legs, not your back, and get help when needed.

- Inspect the tool carefully to make sure no breakage or damage occurred during shipping.
- Do not discard the packing material until you have carefully inspected and satisfactorily operated the tool.
- The saw is factory set for accurate cutting. After assembling it, check for accuracy. If shipping has influenced the settings, refer to specific procedures explained in this manual.
- If any parts are damaged or missing, please call 1-866-539-1710 for assistance.

---

### **WARNING:**

If any parts are damaged or missing, do not operate this tool until the parts are replaced. Failure to heed this warning could result in serious personal injury.

---

---

### **WARNING:**

Do not attempt to modify this tool or create accessories not recommended for use with this tool. Any such alteration or modification is misuse and could result in a hazardous condition leading to possible serious personal injury.

---

---

### **WARNING:**

Do not connect to power supply until assembly is complete. Failure to comply could result in accidental starting and possible serious personal injury.

---

---

### **WARNING:**

Do not lift the saw without help. Hold it close to your body. Keep your knees bent and lift with your legs, not your back. Ignoring these precautions can result in back injury.

---

---

### **WARNING:**

Never stand directly in line with the blade or allow hands to come closer than 3 in. to the blade. Do not reach over or across the blade. Failure to heed this warning can result in serious personal injury.

---

---

### **WARNING:**

To avoid serious personal injury, always make sure the table saw is securely mounted to a workbench or an approved leg stand. NEVER operate the saw on the floor.

---

## MOUNTING HOLES

The table saw must be mounted to a firm supporting surface such as a workbench or leg stand. Four bolt holes have been provided in the saw's base for this purpose. Each of the four mounting holes should be bolted securely using 3/8 in. carriage bolts, washers, lock washers, and wing nuts. Bolts should be of sufficient length to accommodate the saw base, washers, lock washers, wing nuts, and the thickness of the workbench. Tighten all four bolts securely.

Carefully check the workbench after mounting to make sure that no movement can occur during use. If any tipping, sliding, or walking is noted, secure the workbench to the floor before operating.

# ASSEMBLY

## TO OPEN THE LEG STAND

See Figures 7 - 9.

- Grasp the grips on the saw table and stand it upright as shown below.
- Step on the release lever and pull the grips toward you at the same time.
- Once the leg stand is released from the release lever, ease the leg stand toward the floor by pushing the grips toward the floor.
- With your hands on the grips, push the leg stand towards the ground until the table saw is in an open position.

**NOTE:** The release lever will close over the center brace locking the leg stand in an open position.

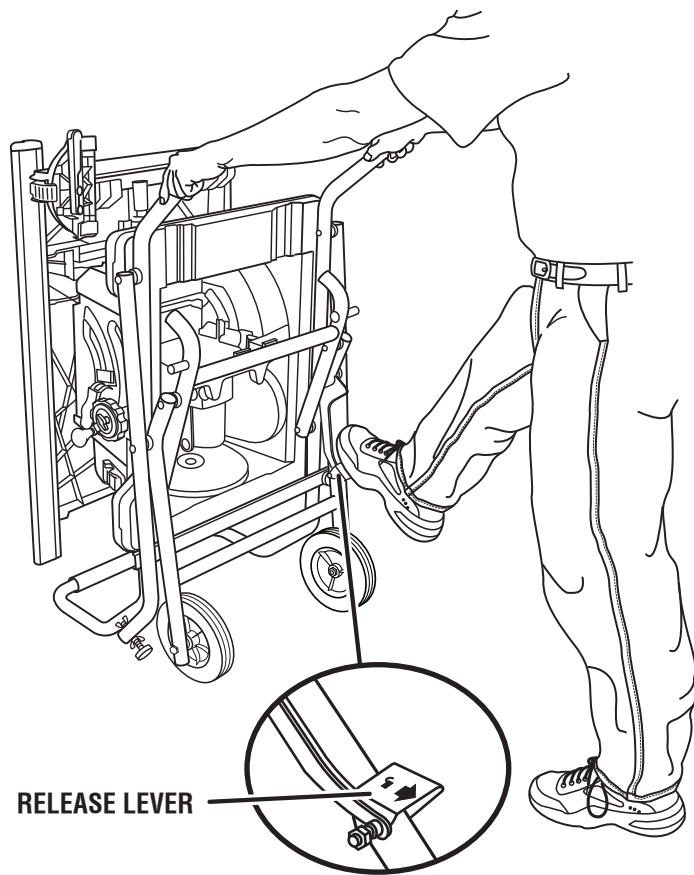


Fig. 7

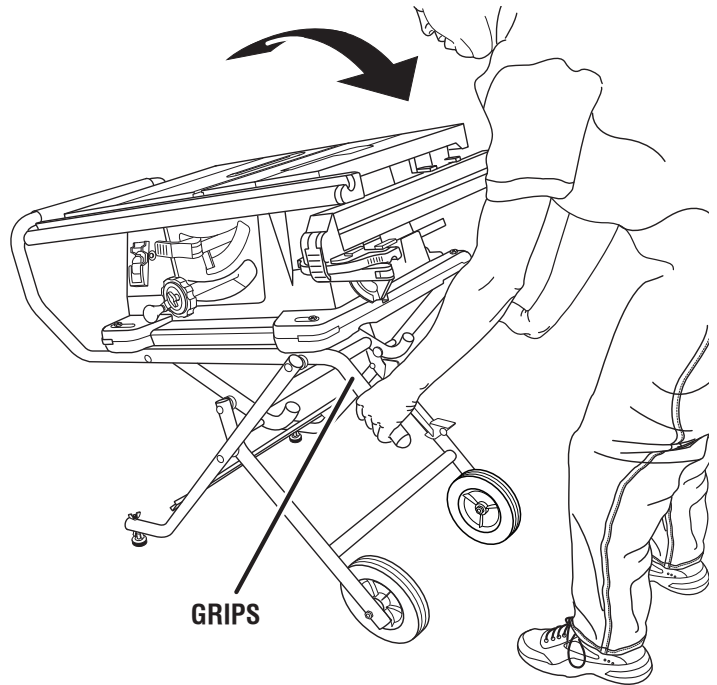


Fig. 8

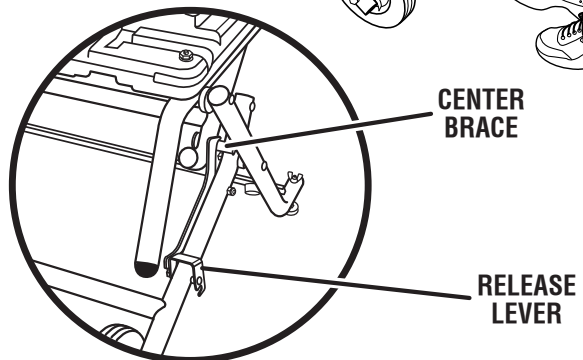
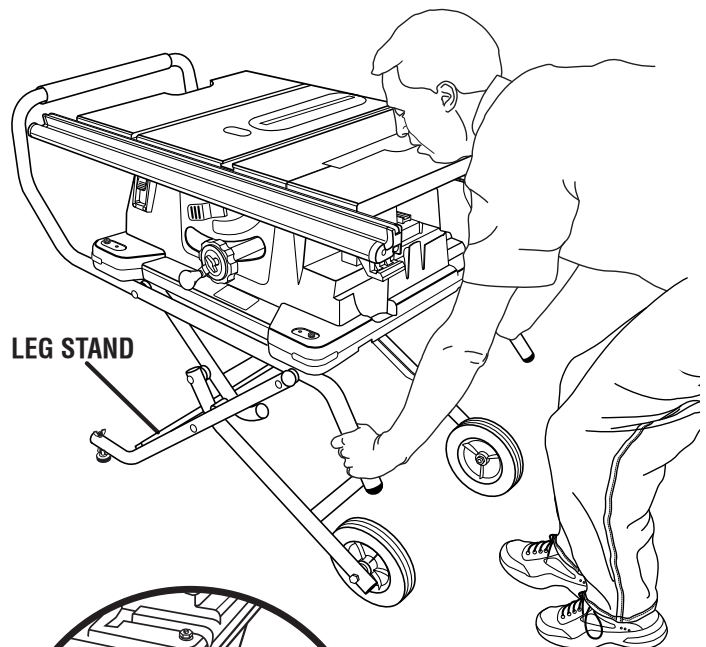


Fig. 9

# ASSEMBLY

## TO SECURE/LEVEL THE SAW

See Figure 10.

With the leg stand open and the table saw resting on a flat, level surface, the saw should not move or rock from side to side.

If the saw rocks from side to side, the leveling feet need adjusting until the leg stand is balanced.

- Loosen both the top and bottom wing nuts.
- Lift the saw slightly so that you may turn the leveling foot until the leg stand no longer rocks.
  - Turning clockwise will lower the foot
  - Turning counterclockwise will raise the foot

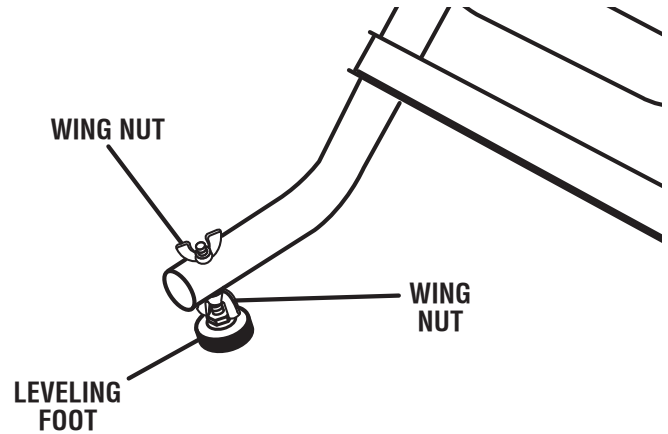


Fig. 10

## TO STORE THE TABLE SAW ACCESSORIES

See Figure 11.

The table saw has two convenient storage areas specifically designed for the saw's accessories. These accessories must be securely stored prior to closing the leg stand and moving the saw.

Always store the blade guard when making non-through cuts and/or transporting the saw. Slide blade guard in storage area. Snap bottom edge of clear basket between latches on base.

To store the rip fence, place the top edge in first and twist downward to snap into place. To remove, pull up on fence and rotate bottom away from saw.

Pull latch forward and slide miter gauge in storage area. To remove miter gauge, pull latch forward and lift straight up.

Secure blade wrenches and saw blade using extra washers provided to separate blades and prevent tooth damage.

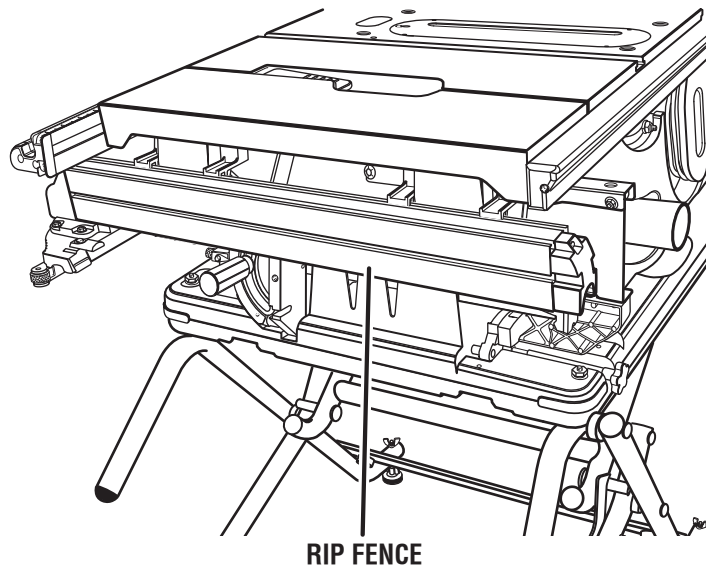
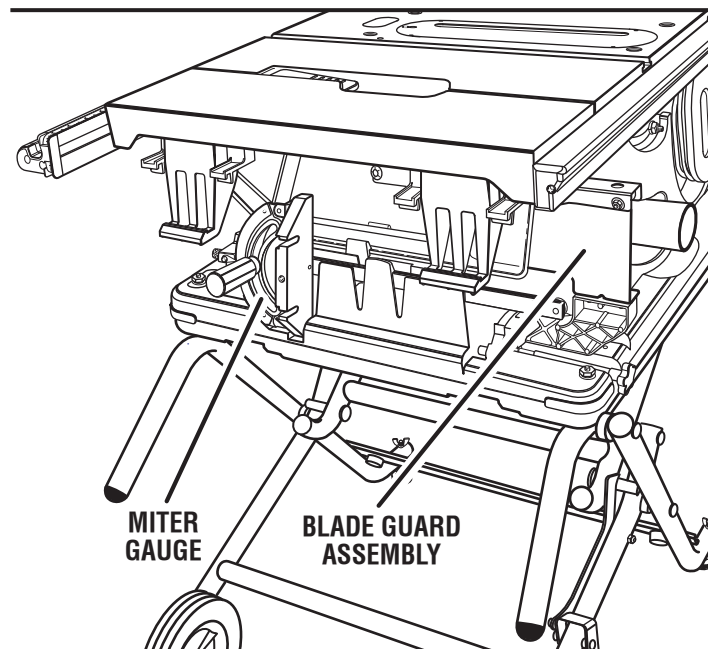


Fig. 11



# ASSEMBLY

## TO CLOSE THE LEG STAND AND MOVE THE SAW

See Figures 12 - 15.

- Remove any workpieces from the tool.
- Remove and securely store any tools or accessories such as rip fence, miter gauge, clamps, blade guard, etc.
- Lower the saw blade.

### To close the leg stand:

- At the same time, step on the release lever, grasp the grips, and lift the handles up and away from the body.
- Push the table saw until the release lever clicks and locks into place.

### To move the leg stand:

- Holding the grips firmly, pull the handles toward you until the leg stand and saw are balanced on the wheels.
- Push the saw to the desired location then either open the leg stand for saw operation or store the saw in a dry environment.

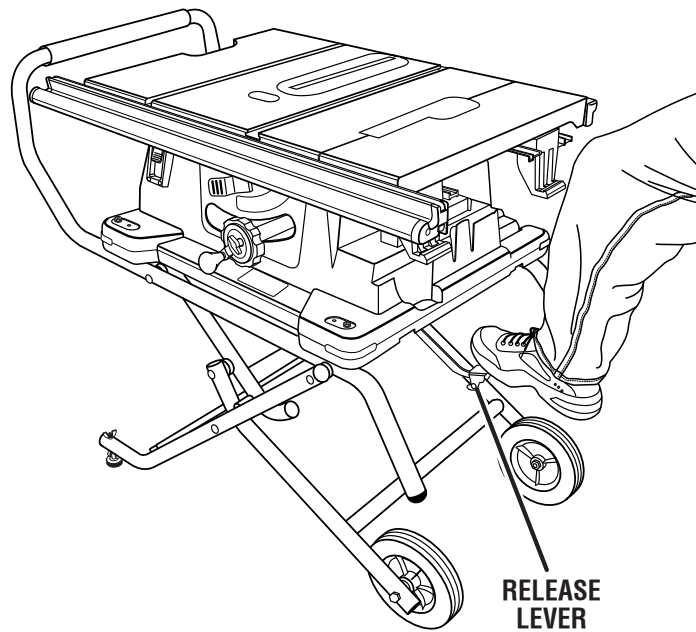


Fig. 12

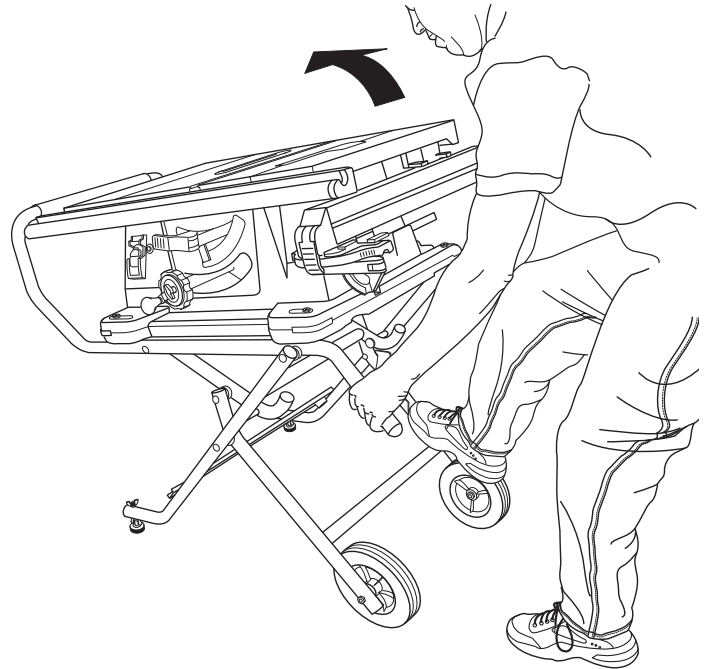


Fig. 13

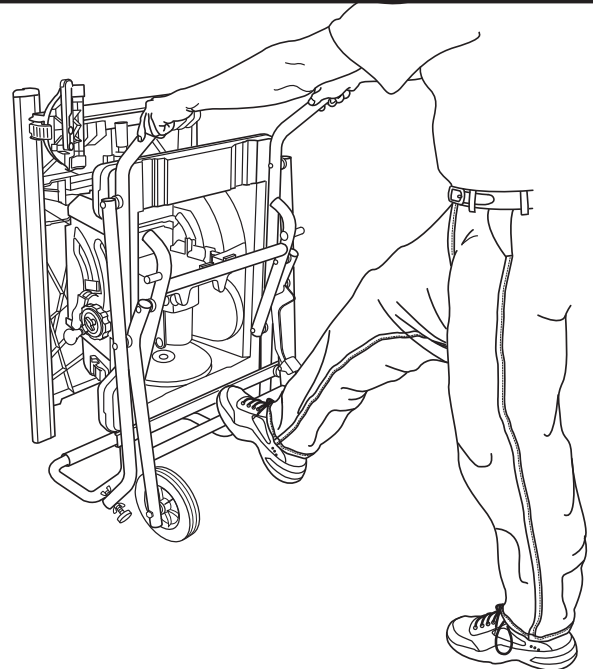


Fig. 14

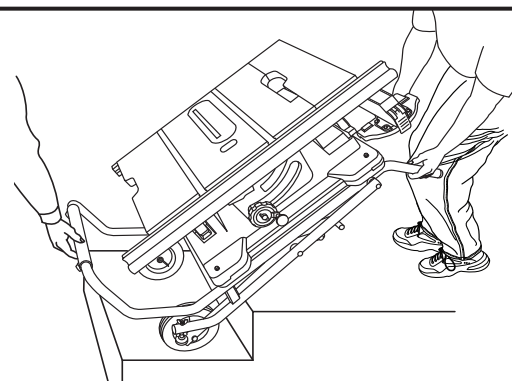


Fig. 15

# ASSEMBLY

## TO CHECK THE THROAT PLATE

See Figure 16.

### **⚠ WARNING:**

The throat plate must be level with the saw table. If the throat plate is too high or too low, the workpiece can catch on the uneven edges resulting in binding or kickback which could result in serious personal injury.

### **To align the throat plate with the saw table:**

- Lower the blade by turning the height/bevel adjusting handwheel counterclockwise.
- Loosen the screw in the throat plate.
- Using a 3/32 in. hex key, adjust the four set screws as shown in figure 16.
- Retighten the screw being careful not to overtighten which can cause the throat plate to bow or bend.

## TO REMOVE/REPLACE THE THROAT PLATE

See Figure 17.

- Unlock the blade height lock knob.
- Lower the blade by turning the height/bevel adjusting handwheel counterclockwise.
- Loosen the screw in the throat plate.
- Lift the throat plate from the front end and pull toward the front of the saw.
- Place throat plate into throat plate opening in table and push toward rear of saw to engage spring clip until key slot in throat plate will drop over flat head screw.
- Retighten the screw being careful not to overtighten which can cause the throat plate to bow or bend.

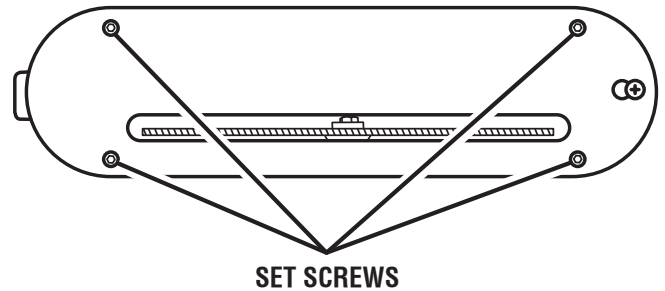
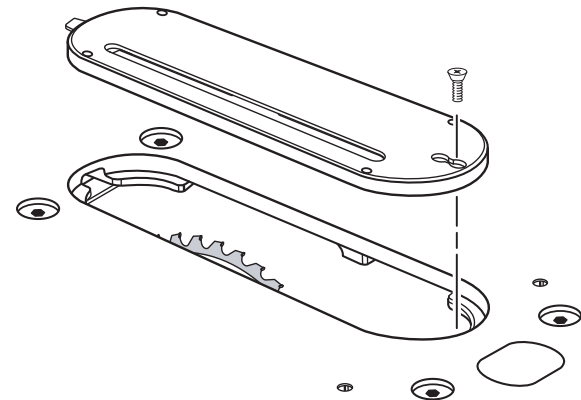


Fig. 16



REMOVING THROAT PLATE

Fig. 17

# ASSEMBLY

## TO CHECK SAW BLADE INSTALLATION

See Figure 18.

### CAUTION:

To work properly, the saw blade teeth must point down toward the front of the saw. Failure to heed this warning could cause damage to the saw blade, the saw, or the workpiece.

**NOTE:** Arbor shaft has left-hand threads.

- Unplug the saw.
- Remove blade wrenches from storage area by unscrewing wing nut.
- Lower the saw blade and remove the throat plate.
- Make sure the bevel locking lever is securely pushed to the left. Raise the saw blade to its full height by turning the height/bevel adjusting handwheel clockwise.

### To loosen the blade:

- Using the smaller blade wrench, place the flat open end on the flats on the arbor shaft.
- Insert the closed end of the larger blade wrench over the hex nut. Holding both wrenches firmly, pull the larger wrench forward to the front of the machine.

### To tighten the blade:

- Using the smaller blade wrench, place the flat open end into the flats on the arbor shaft.
- Insert the closed end of the larger blade wrench over the hex nut. Holding both wrenches firmly, push the larger wrench to the back of the machine. Make sure the blade nut is securely tightened. Do not overtighten.

Check all clearances for free blade rotation. Refer to **To Check and Align the Blade Guard Assembly**.

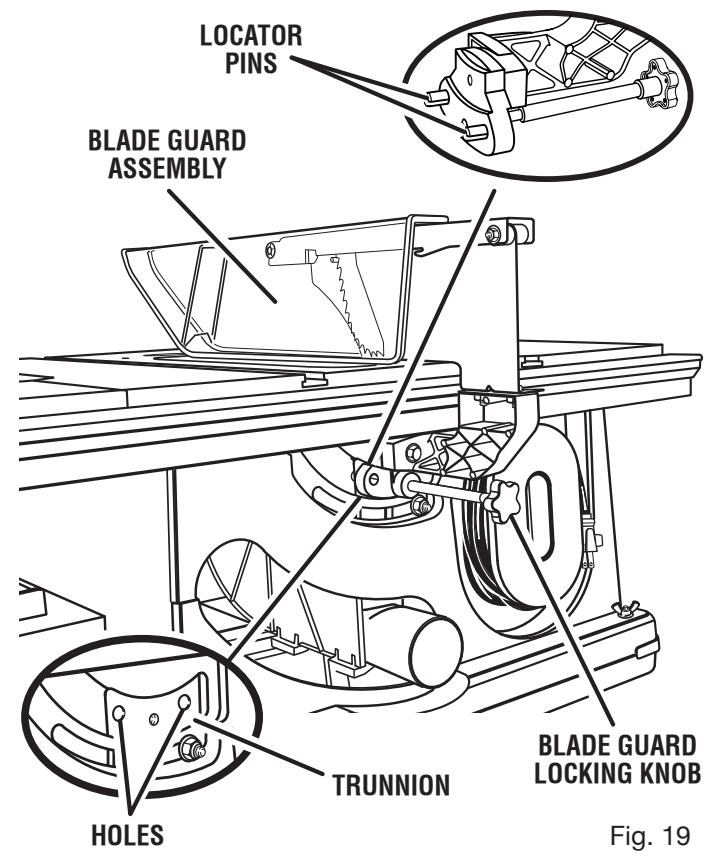
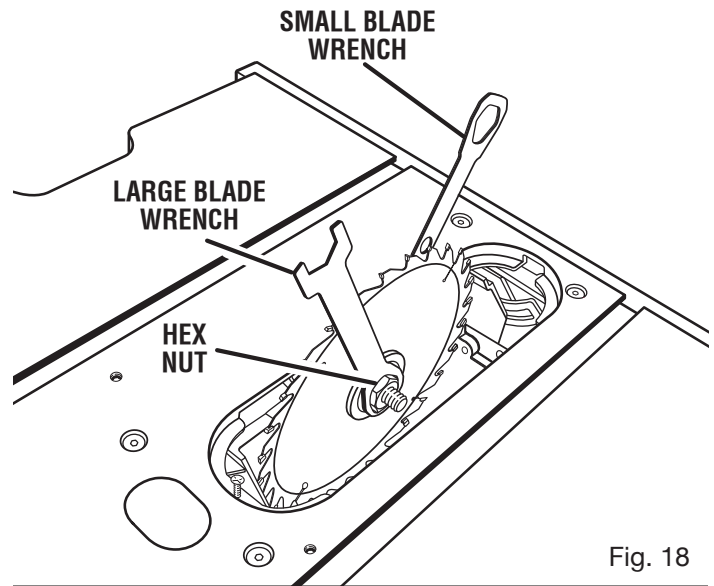
## TO INSTALL BLADE GUARD ASSEMBLY

See Figure 19.

Proper installation of the blade guard assembly means that the saw blade and spreader are in alignment. ALWAYS align the spreader to the saw blade prior to turning on the table saw.

- Unplug the saw.
- Lower the blade by turning the height/bevel adjusting handwheel counterclockwise.
- Fit the locator pins into the holes on the bracket located on the trunnion.
- Turn the blade guard locking knob clockwise to securely attach the blade guard in place.

Check the blade guard assembly for clearances and free movement.



# ASSEMBLY

## TO CHECK AND ALIGN THE BLADE GUARD ASSEMBLY

See Figure 20.

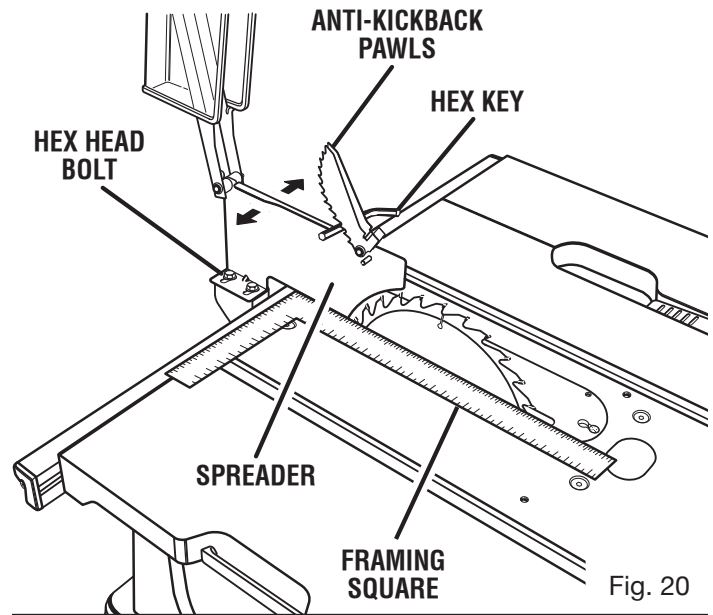
If the blade guard assembly is out of alignment with the saw blade, adjust the alignment of the blade guard assembly. The spreader must be aligned with the saw blade.

**NOTE:** The spreader is thinner than the width of the cut (kerf) by approximately six thickness of paper.

- Unplug the saw.
- Lift the blade guard. Raise the saw blade by turning the height/bevel adjusting handwheel counterclockwise.
- Lift the anti-kickback pawls (insert a large hex key in the notches of the pawls to hold the pawls out of the way). Place a framing square or straight edge against both the saw blade and the spreader.
- The saw blade and spreader are aligned when the framing square contacts both the blade and spreader evenly with no gaps.

If the distances are different, square and align the blade guard assembly with the following steps:

- Unplug the saw.
- Lift the blade guard. Raise the saw blade by turning the height/bevel adjusting handwheel counterclockwise.



- From the back of the saw, loosen the hex head bolts and reposition the blade guard assembly left or right as needed to align the spreader with the saw blade.
- Once properly aligned, securely retighten the bolts.
- Recheck the marked blade tooth to insure the adjustment has not moved.

# OPERATION

## **WARNING:**

Do not allow familiarity with tools to make you careless. Remember that a careless fraction of a second is sufficient to inflict serious injury.

## **WARNING:**

Always wear safety goggles or safety glasses with side shields when operating power tools. Failure to do so could result in objects being thrown into your eyes resulting in possible serious injury.

## **WARNING:**

Do not use any attachments or accessories not recommended by the manufacturer of this tool. The use of attachments or accessories not recommended can result in serious personal injury.

## **WARNING:**

Although many of the illustrations in this manual are shown with the blade guard removed for clarity, do not operate the saw without the blade guard unless specifically instructed to do so.

# OPERATION

## APPLICATIONS

You may use this tool for the purposes listed below:

- Straight line cutting operations such as cross cutting, ripping, mitering, beveling, and compound cutting
- Dado or molding cuts with optional accessories
- Cabinet making and woodworking

**NOTE:** This table saw is designed to cut wood and wood composition products only.

## BASIC OPERATION OF THE TABLE SAW

The 3-prong plug must be plugged into a matching outlet that is properly installed and grounded according to all local codes and ordinances. Improper connection of the equipment can result in electric shock. Check with an electrician or service personnel if you are unsure about proper grounding. Do not modify the plug; if it will not fit the outlet, have the correct outlet installed by a qualified electrician. Refer to the *Electrical* section earlier in this manual.

## CAUSES OF KICKBACK

Kickback can occur when the blade stalls or binds, kicking the workpiece back toward you with great force and speed. If your hands are near the saw blade, they may be jerked loose from the workpiece and may contact the blade. Obviously, kickback can cause serious injury, and it is well worth using precautions to avoid the risks.

Kickback can be caused by any action that pinches the blade in the wood, such as the following:

- Making a cut with incorrect blade depth
- Sawing into knots or nails in the workpiece
- Twisting the wood while making a cut
- Failing to support work
- Forcing a cut
- Cutting warped or wet lumber
- Using the wrong blade for the type of cut
- Not following correct operating procedures
- Misusing the saw
- Failing to use the anti-kickback pawls
- Cutting with a dull, gummed-up, or improperly set blade

## AVOIDING KICKBACK

- Always use the correct blade depth setting. The top of the blade teeth should clear the workpiece by 1/8 in. to 1/4 in.
- Inspect the work for knots or nails before beginning a cut. Knock out any loose knots with a hammer. Never saw into a loose knot or nail.
- Always use the rip fence when rip cutting and the miter gauge when cross cutting. This helps prevent twisting the wood in the cut.

- Always use clean, sharp, and properly-set blades. Never make cuts with dull blades.
- To avoid pinching the blade, support the work properly before beginning a cut.
- When making a cut, use steady, even pressure. Never force cuts.
- Do not cut wet or warped lumber.
- Always hold your workpiece firmly with both hands or with push sticks. Keep your body in a balanced position to be ready to resist kickback should it occur. Never stand directly in line with the blade.
- Use the right type of blade for the cut being made.

## CUTTING AIDS

See *Figure 21*.

Push sticks are devices used for safely pushing a workpiece through the blade instead of using your hands. They can be made in various sizes and shapes from scrap wood to use in a specific project. The stick must be narrower than the workpiece, with a 90° notch in one end and shaped for a grip on the other end.

A push block has a handle fastened by recessed screws from the underside. Be sure the screw is recessed. Use it on non-through cuts.

### CAUTION:

Be sure the screws in a push block are recessed to avoid damaging the saw or workpiece.

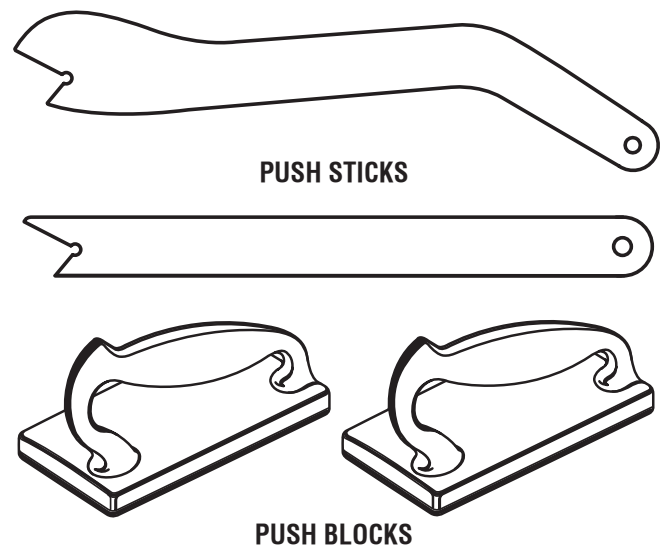


Fig. 21

# OPERATION

## TYPES OF CUTS

See Figure 22.

There are six basic cuts: 1) the cross cut, 2) the rip cut, 3) the miter cut, 4) the bevel cross cut, 5) the bevel rip cut, and 6) the compound (bevel) miter cut. All other cuts are combinations of these basic six. Operating procedures for making each kind of cut are given later in this section.

### **WARNING:**

Always make sure the blade guard and anti-kickback pawls are in place and working properly when making these cuts to avoid possible injury.

Cross cuts are straight 90° cuts made across the grain of the workpiece. The wood is fed into the cut at a 90° angle to the blade, and the blade is vertical.

Rip cuts are made with the grain of the wood. To avoid kickback while making a rip cut, make sure one side of the wood rides firmly against the rip fence.

Miter cuts are made with the wood at any angle to the blade other than 90°. The blade is vertical. Miter cuts tend to “creep” during cutting. This can be controlled by holding the workpiece securely against the miter gauge.

### **WARNING:**

Always use a push stick with small pieces of wood, and also to finish the cut when ripping a long narrow piece of wood, to prevent your hands from getting close to the blade.

Bevel cuts are made with an angled blade. Bevel cross cuts are across the wood grain, and bevel rip cuts are with the grain. The rip fence must always be on the right side of the blade for bevel rip cuts.

Compound (or bevel) miter cuts are made with an angled blade on wood that is angled to the blade. Be thoroughly familiar with making cross cuts, rip cuts, bevel cuts, and miter cuts before trying a compound miter cut.

## CUTTING TIPS

Dado and rabbet cuts are non-through cuts which can be either rip cuts or cross cuts. Carefully read and understand all sections of this operator’s manual before attempting any operation.

### **WARNING:**

Do not use blades rated less than the speed of this tool. Failure to heed this warning could result in personal injury.

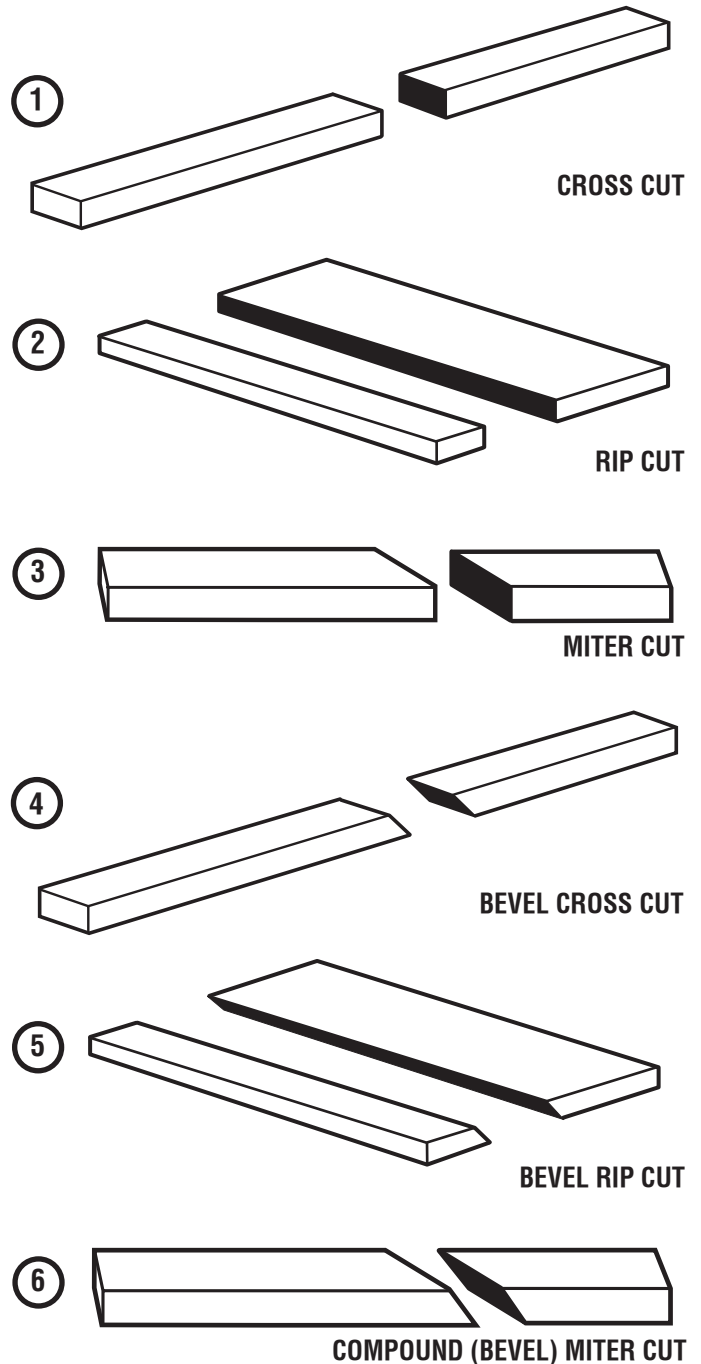


Fig. 22

- The kerf (the cut made by the blade in the wood) will be wider than the blade to avoid overheating or binding. Make allowance for the kerf when measuring wood.
- Make sure the kerf is made on the waste side of the measuring line.
- Cut the wood with the finish side up.
- Knock out any loose knots with a hammer before making the cut.
- Always provide proper support for the wood as it comes out of the saw.

# OPERATION

## FEATHERBOARD

A featherboard is a device used to help control the workpiece by guiding it securely against the table or fence. Featherboards are especially useful when ripping small workpieces and for completing non-through cuts. The end is angled with a number of short kerfs to give a friction hold on the workpiece and locked in place on the table with a C-clamp. Test to ensure it can resist kickback.

### **⚠ WARNING:**

Place the featherboard against the uncut portion of the workpiece to avoid kickback that could cause serious personal injury.

## HOW TO MAKE A FEATHERBOARD

See Figure 23.

The featherboard is an excellent project for the saw. Select a solid piece of lumber approximately 3/4 in. thick, 3-5/8 in. wide and 18 in. long. Mark the center of the width on one end of the stock. Miter one-half of the width to 30° and miter the other half of the same end to 45° (see page 30 for information on miter cuts). Mark the board from the point at 6 in., 8 in., 10 in., and 12 in. Drill a 3/8 in. hole at the 8 in., 10 in., and 12 in. marks.

Prepare the saw for ripping as discussed on page 30. Set the rip fence to allow approximately a 1/4 in. "finger" to be cut in the stock. Feed the stock only to the mark previously made at 6 in. Turn the saw **OFF** and allow the blade to completely stop rotating before removing the stock. Reset the rip fence and cut spaced rips into the workpiece to allow approximately 1/4 in. fingers and 1/8 in. spaces between the fingers.

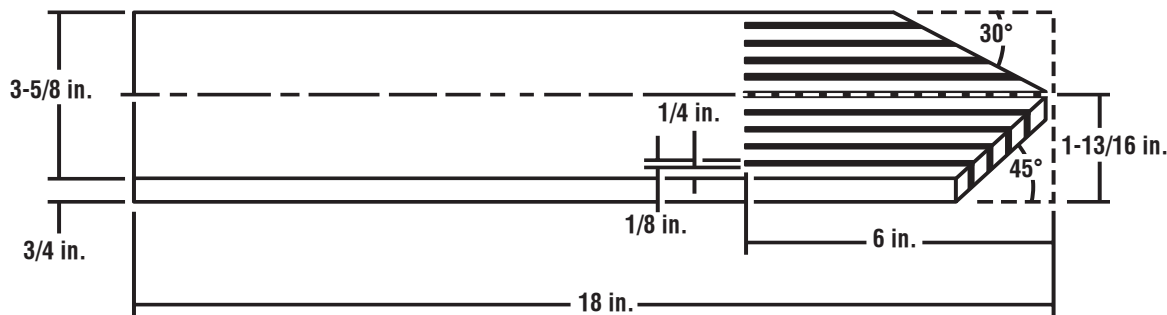


Fig. 23

## HOW TO MOUNT A FEATHERBOARD

See Figure 24.

Completely lower the saw blade. Position the rip fence to the desired adjustment for the cut to be performed and lock the rip fence. Place the workpiece against the fence and over the saw blade area. Adjust the featherboard to apply resistance to the workpiece just forward of the blade. Attach a C-clamp to secure the featherboard to the edge of the saw table.

### **⚠ WARNING:**

**Do not** locate the featherboard to the rear of the workpiece. If positioned improperly, kickback can result from the featherboard pinching the workpiece and binding the blade in the saw kerf. Failure to heed this warning can result in serious personal injury.

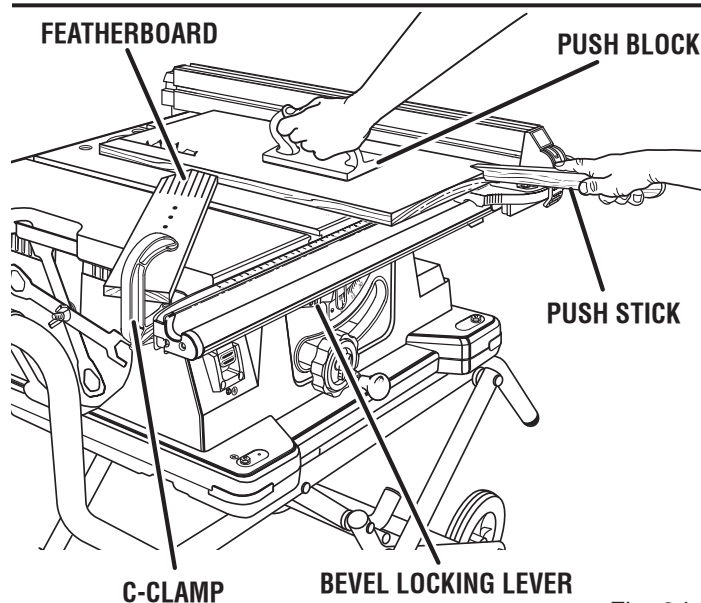


Fig. 24

# OPERATION

## TO CHANGE BLADE DEPTH

See Figure 25.

The saw blade depth should be set so that the outer points of the saw blade are higher than the workpiece by approximately 1/8 in. to 1/4 in. but the lowest points (gullets) are below the workpiece.

- Loosen the blade height lock knob by turning it counter-clockwise.
- Raise the saw blade by turning the height/bevel adjusting handwheel clockwise or lower it by turning the handwheel counterclockwise.
- Once the desired saw blade height is achieved, lock the blade height lock knob by turning it clockwise.

## TO CHANGE BLADE ANGLE

See Figure 25.

**NOTE:** A 90° cut has a 0° bevel and a 45° cut has a 45° bevel.

- Unlock bevel locking lever by pushing lever all the way to the right.
- Adjust the bevel angle by moving the height/bevel adjusting handwheel along the bevel scale.
- Lock bevel locking lever by pushing lever to the left.

## TO USE THE IND-I-CUT DISC

See Figure 26.

The plastic disc embedded in the saw table in front of the saw blade is provided for marking the location of the saw cut (kerf) on the workpiece.

The disc should be level or slightly below the surface of the saw table. Place a piece of hardwood over the plastic disc and tap the hardwood with a hammer until the disc is level or below the saw table surface.

### Once the Ind-I-Cut is level:

- From the front of the table saw, place the miter gauge in the left miter groove and move the height/bevel adjusting handwheel until the bevel scale is set at 0°.
- Turn on the table saw and cross cut a piece of wood holding the wood firmly against the miter gauge.
- Turn off the table saw. Once the blade has stopped, pull the miter gauge back until the freshly cut wood is over the disc.
- Using a sharp pencil, mark a line on the disc at the edge of the freshly cut wood.

**NOTE:** These lines indicate the path of the cut made by the saw blade. When the blade is changed, these lines will need to be erased and reset.

- With the miter gauge in the right miter gauge groove, follow the above procedures and make a second mark on the disc.

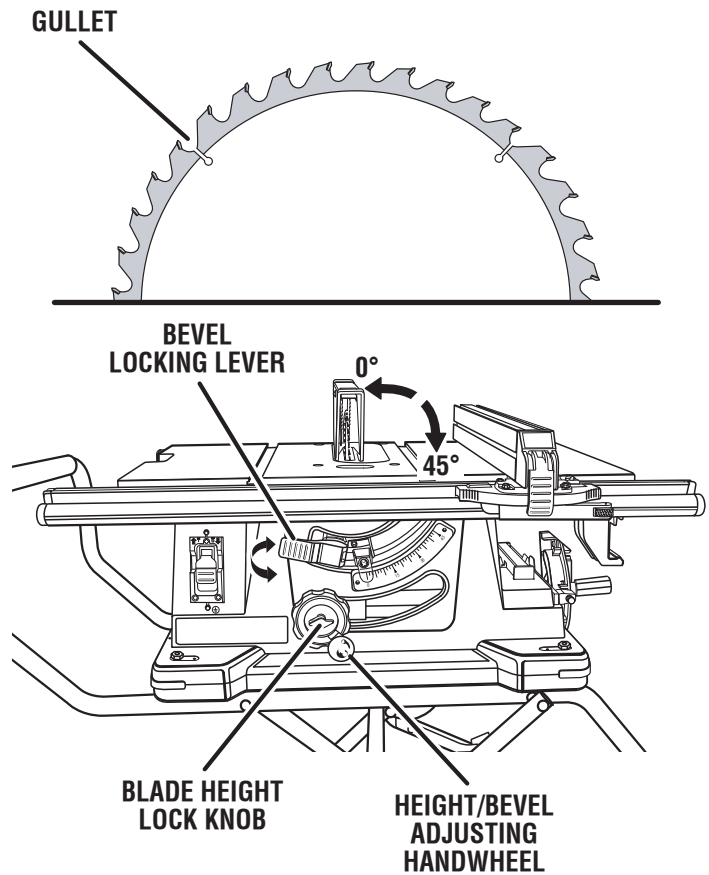


Fig. 25

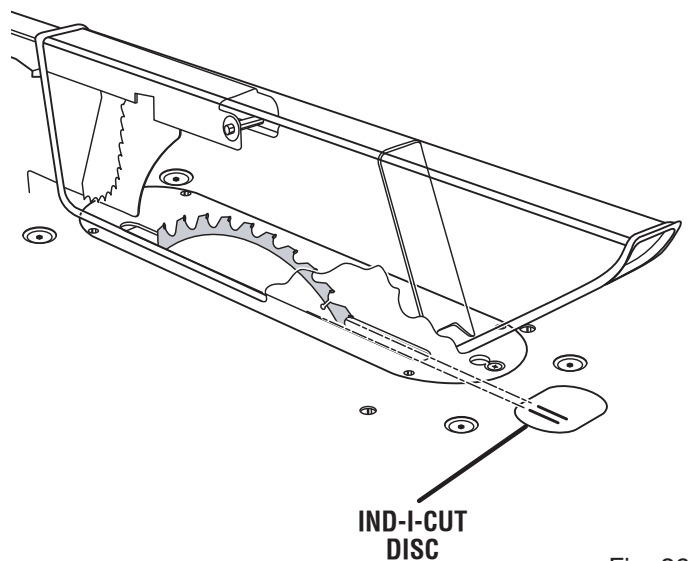


Fig. 26



# OPERATION

## TO SET THE RIP FENCE INDICATOR TO THE BLADE

See Figure 27.

Use the indicator on the rip fence to position the fence along the scale on the front rail.

**NOTE:** The blade guard assembly must be removed to perform this adjustment. Reinstall the blade guard assembly when the adjustment is complete.

- Unplug the saw.
- Place the rip fence on the saw table so that it lightly touches the right side of the saw blade. Lock the rip fence in place.
- Loosen pan head screw and adjust the indicator so that the red line is located over the “zero” line on the right rip scale on the front rail. Retighten screw.

## TO USE THE RIP FENCE

See Figures 28 - 29.

- Place the front of the rip fence on the front rail.
- Lower the back end of the rip fence onto the back rail.
- Check for smooth gliding action.
- Push the locking lever down to automatically align and secure the fence. When securely locked, the locking lever should point downward.

Check for a smooth gliding action. If adjustments are needed, see **To Check and Adjust the Alignment of the Rip Fence** in the *Adjustments* section of this manual.

## TO USE THE MICRO-ADJUST WHEEL ON THE RIP FENCE

See Figure 29.

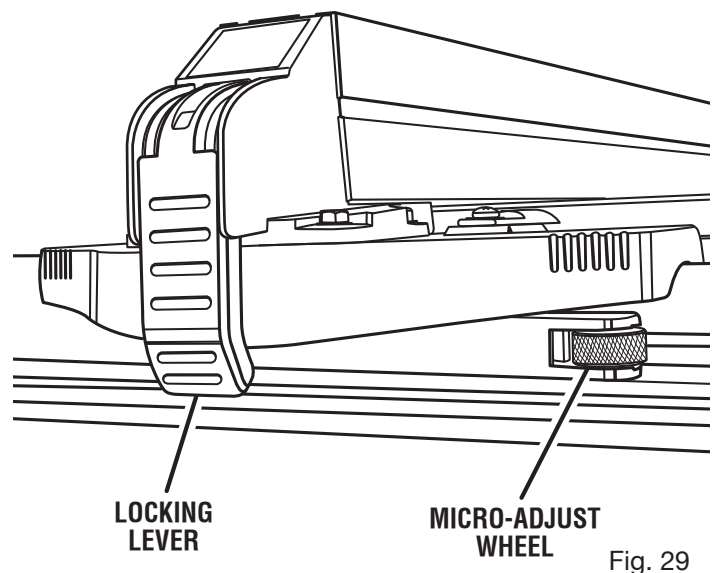
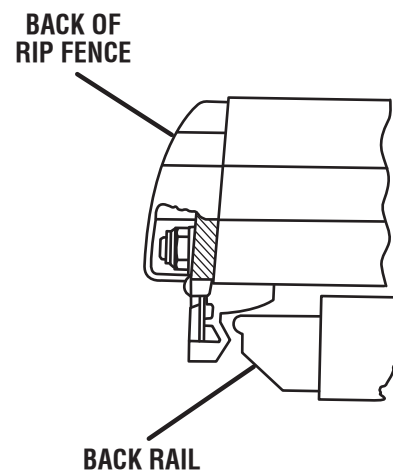
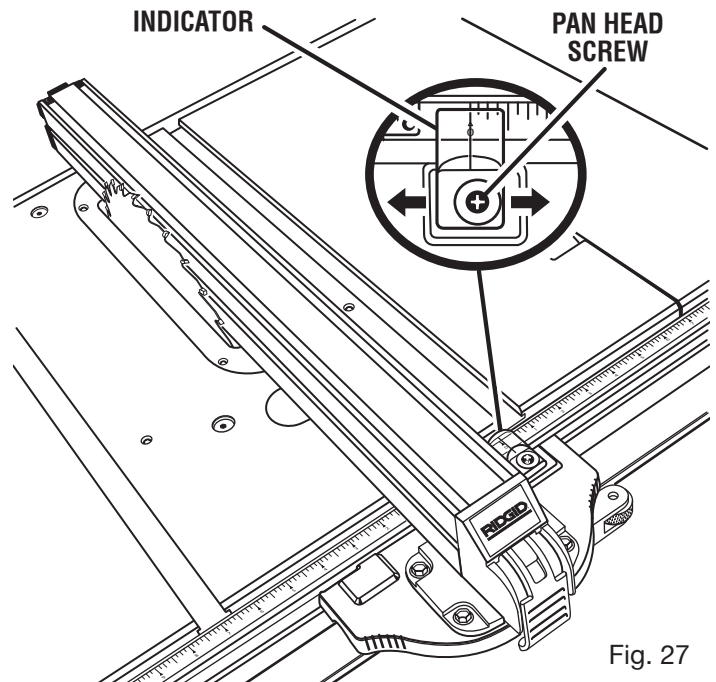
The micro-adjust wheel on the rip fence allows the user to make one-handed adjustments.

**To use the micro-adjust wheel on the right-hand side of the saw blade:**

- Unlock the locking lever by lifting the lever.
- Push in on the micro-adjust wheel and rotate to the desired location.
- Push the locking lever downward to lock the rip fence into place.

**To use the micro-adjust wheel on the left-hand side of the saw blade:**

- Unlock the locking lever by lifting the lever.
- Turn the rip fence over and remove the two phillips screws on the micro-adjust bracket.
- Rotate the micro-adjust bracket 180° and reinstall the phillips screws. The rip fence is now set up to be used on the left-hand side of the saw blade.



# OPERATION

## TO USE THE MITER GAUGE

See Figure 30.

The miter gauge provides greater accuracy in angled cuts. For very close tolerances, test cuts are recommended.

There are two miter gauge channels, one on either side of the blade. When making a 90° cross cut, you can use either miter gauge channel. When making a beveled cross cut (the blade tilted in relation to the table) the miter gauge should be located in the slot on the right so that the blade is tilted away from the miter gauge and your hands.

The miter gauge can be turned 60° to the right or left. Positive stops at 0° and 45° can be located by pushing in the stop pin.

- Slide the miter gauge in the miter gauge slot.
- Loosen the lock knob by turning it counterclockwise.
- Pull out the stop pin and rotate the gauge until the desired angle is reached on the scale.
- Retighten the lock knob by turning it clockwise.

## TO USE THE TABLE EXTENSION

See Figure 31.

Increase the length of the saw table by using the table extension.

**NOTE:** The table extension cannot be extended if the rip fence is locked on the table rails.

- Unlock the rip fence.
- Unlock the table extension by lifting the table extension lock lever.
- Extend the table extension as desired.
- Lock the table extension by lowering the table extension lock lever.

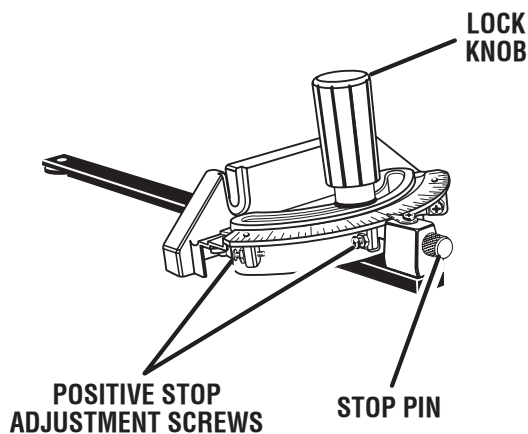


Fig. 30

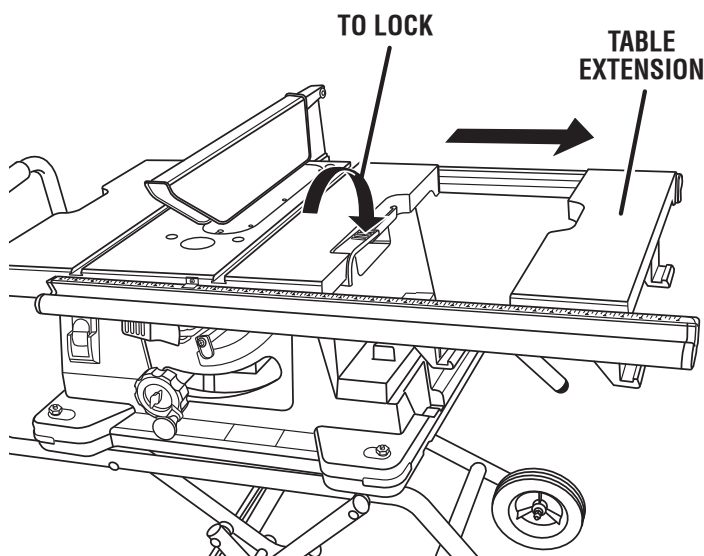
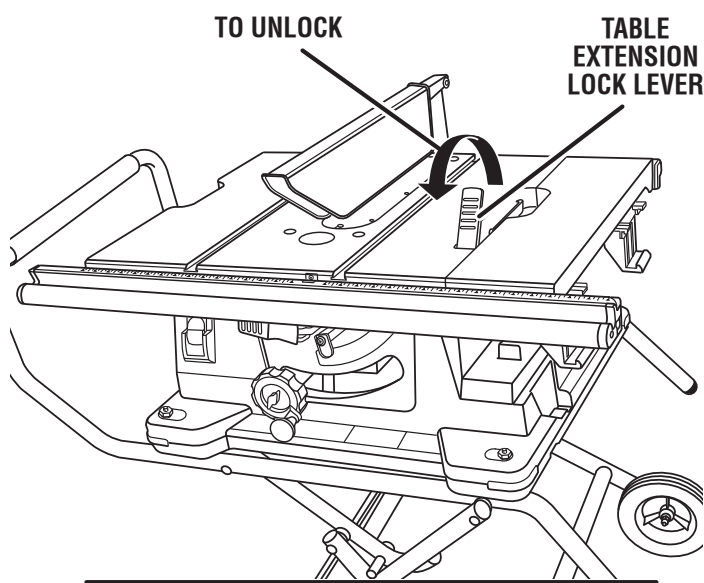


Fig. 31

# OPERATION

## HEELING (PARALLELING) THE BLADE TO THE MITER GAUGE GROOVE

See Figures 32 - 34.

### **WARNING:**

The blade must be square so the wood does not bind resulting in kickback. Failure to do so could result in serious personal injury.

Do not loosen any screws for this adjustment until you have checked with a square and made test cuts to be sure adjustments are necessary. Once the screws are loosened, these items must be reset.

- Unplug the saw.
- Raise the blade all the way by turning the height/bevel adjusting handwheel.
- Mark beside one of the blade teeth at the front of the blade. Place the body of a combination square against the miter gauge groove as shown in figure 32. Measure the distance from the blade tooth to the right miter gauge groove.
- Turn the blade so the marked tooth is at the back.
- Move the combination square to the rear and again measure the distance from the blade tooth to the right miter gauge groove. If the distances are the same, the blade and the miter gauge groove are parallel.

- Loosen the four alignment screws 1/2 turn; this allows the mechanism beneath the table to be shifted sideways.

**NOTE:** The adjusting screws are located on the top of the saw table next to the blade.

- Place a block of wood on the side of the blade and push it into the blade until the blade is parallel to the miter gauge groove. Retighten one screw.
- Check with square to determine if marked tooth touches square by the same amount at front and rear. If it does, alternately tighten other three screws. If it does not, loosen screw and move blade the required amount.

### **WARNING:**

To reduce the risk of injury from kickback, align the rip fence to the blade following any blade adjustments. Always make sure the rip fence is parallel to the blade before beginning any operation.

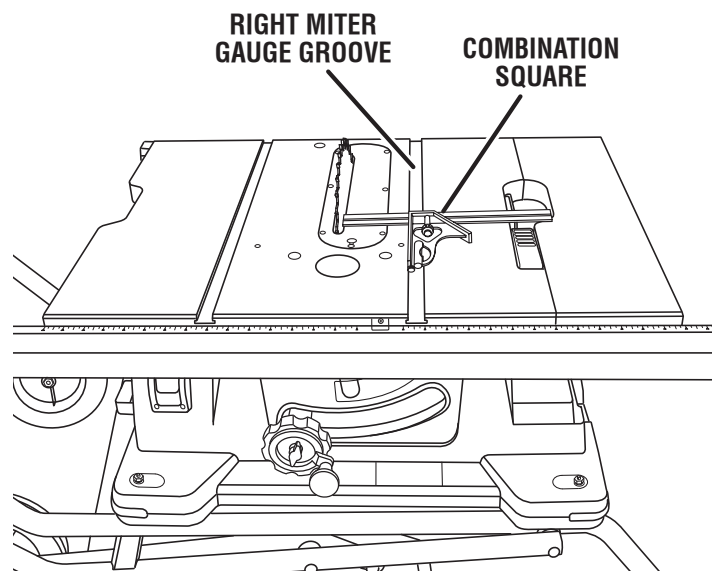


Fig. 32

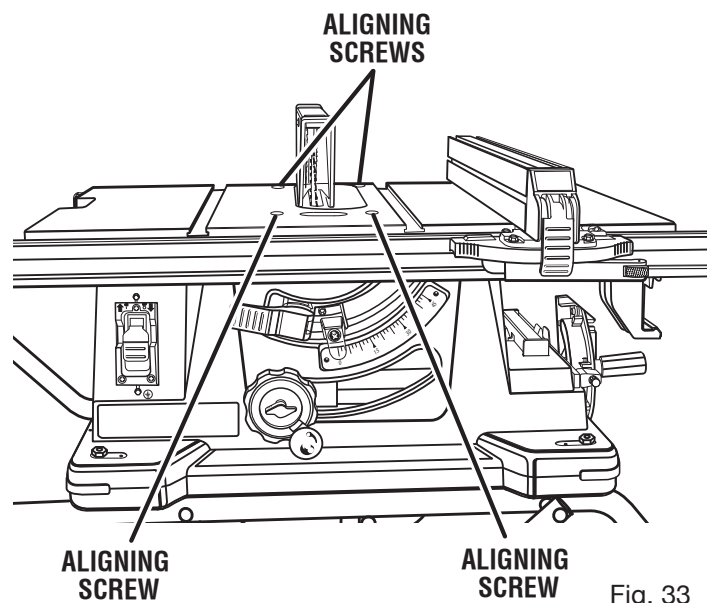


Fig. 33

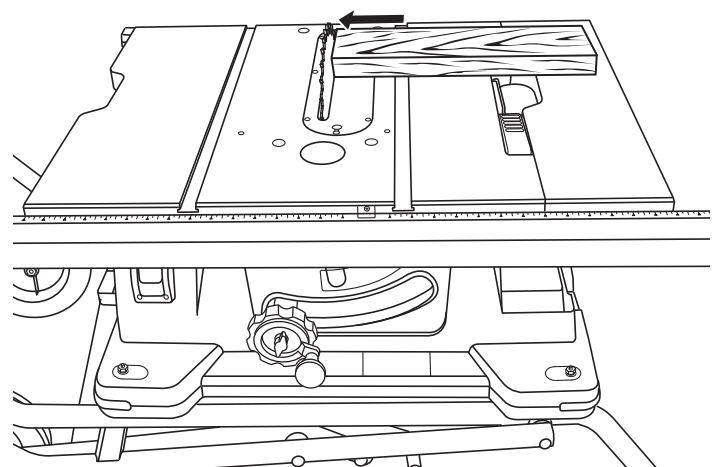


Fig. 34

# OPERATION

## MAKING CUTS

The blade provided with the saw is a high-quality combination blade suitable for ripping and cross cut operations.

### **WARNING:**

Do not use blades rated less than the speed of this tool. Failure to heed this warning could result in personal injury.

Use the miter gauge when making cross, miter, bevel, and compound miter cuts. To secure the angle, lock the miter gauge in place by twisting the lock knob clockwise. Always tighten the lock knob securely in place before use.

**NOTE:** It is recommended that you place the piece to be saved on the left side of the blade and that you make a test cut on scrap wood first.

## MAKING A CROSS CUT

See Figures 35 - 36.

It is recommended you make test cuts on scrap wood.

### **WARNING:**

Using the rip fence as a cutoff gauge when cross cutting will result in kickback which can cause serious personal injury.

### **WARNING:**

Make sure the blade guard assembly is installed and working properly to avoid serious personal injury.

- Remove the rip fence by lifting the locking lever.
- Set the blade to the correct depth for the workpiece.
- Set the miter gauge to 0° and tighten the lock knob.
- Place a support (the same height as saw table) behind the saw for the cut work.
- Make sure the wood is clear of the blade before turning on the saw.
- To turn the saw **ON**, lift the switch.
- To turn saw **OFF**, press the switch down.

**NOTE:** To prevent unauthorized use, remove the switch key as shown in figure 36.

- Let the blade build up to full speed before moving the workpiece into the blade.
- Hold the workpiece firmly with both hands and feed the workpiece into the blade.

**NOTE:** The hand closest to the blade should be placed on the miter gauge lock knob and the hand farthest from the blade should be placed on the workpiece.

## CROSS CUT

PLACE HANDS ON  
WORKPIECE AND  
MITER GAUGE LOCK KNOB

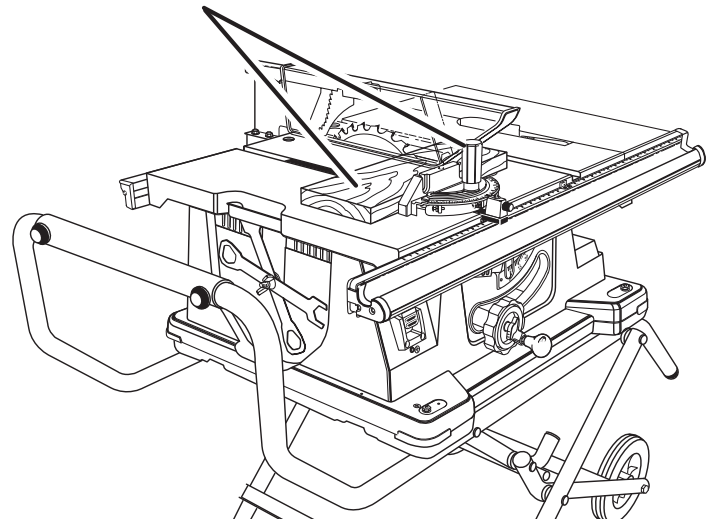


Fig. 35

## SWITCH IN LOCKED POSITION

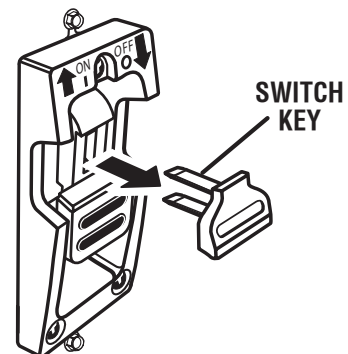
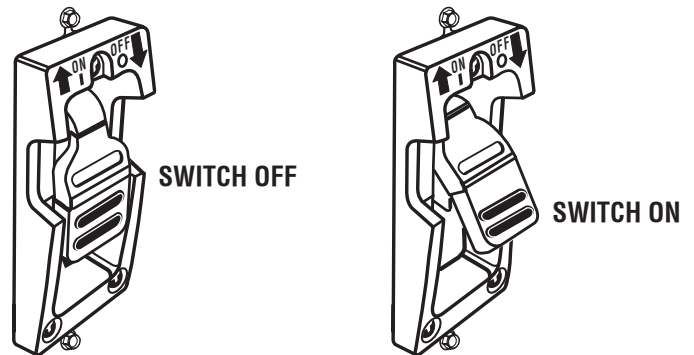


Fig. 36

- When the cut is made, turn the saw off. Wait for the blade to come to a complete stop before removing any part of the workpiece.

# OPERATION

## MAKING A RIP CUT

See Figure 37.

It is recommended you make test cuts on scrap wood.

### **WARNING:**

Make sure the blade guard assembly is installed and working properly to avoid serious personal injury.

- Set the blade to the correct depth for the workpiece.
- Set the blade to 0°.
- Position the rip fence the desired distance from the blade for the cut and securely lock the handle.
- Place a support (the same height as the saw table) behind the table saw for the cut work.
- Make sure the wood is clear of the blade before turning on the table saw.
- Use a push block or push stick to move the wood through the cut past the blade. **Never push a small piece of wood into the blade with your hand. Always use a push stick.** The use of push blocks, push sticks, and featherboards are necessary when making non-through cuts.
- Stand to the side of the wood as it contacts the blade to reduce the chance of injury should kickback occur. **Never stand directly in the line of cut.**
- Make sure the wood is clear of the blade before turning on the table saw.
- Let the blade build up to full speed before feeding the workpiece into the blade.
- When the cut is made, turn the saw off. Wait for the blade to come to a complete stop before removing any part of the workpiece.

## MAKING A MITER CUT

See Figure 38.

It is recommended you make test cuts on scrap wood.

### **WARNING:**

Make sure the blade guard assembly is installed and working properly to avoid serious personal injury.

- Remove the rip fence by lifting the locking lever.
- Set the blade to the correct depth for the workpiece.
- Set the miter gauge to desired angle and tighten the lock knob.
- Place a support (the same height as saw table) behind the saw for the cut work.
- Make sure the wood is clear of the blade before turning on the saw.
- Let the blade build up to full speed before moving the workpiece into the blade.

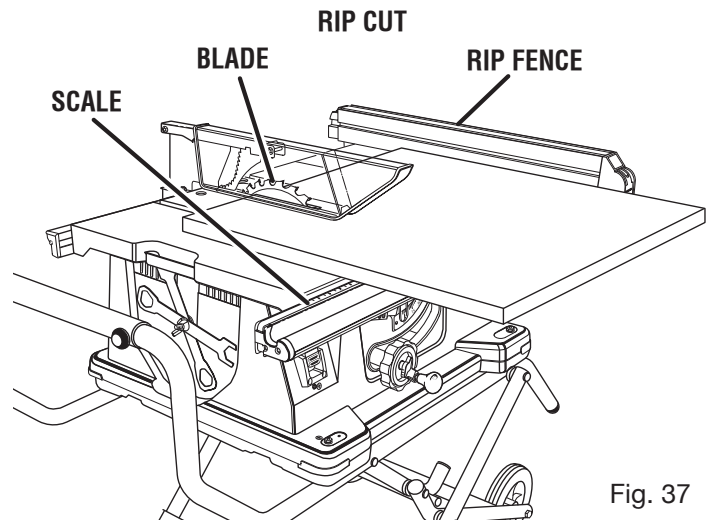


Fig. 37

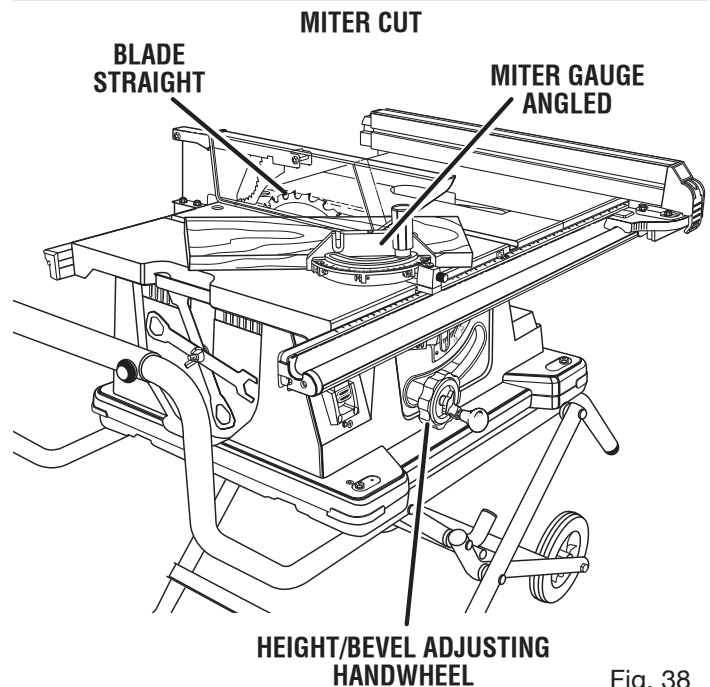


Fig. 38

- Hold the workpiece firmly with both hands and feed the workpiece into the blade.

**NOTE:** The hand closest to the blade should be placed on the miter gauge lock knob and the hand farthest from the blade should be placed on the workpiece.

- When the cut is made, turn the saw off. Wait for the blade to come to a complete stop before removing any part of the workpiece.

### **CAUTION:**

The miter gauge cannot be used in the left miter gauge groove when bevel cutting due to blade guard interference. Only use the miter gauge in the right miter gauge groove when bevel cutting.

# OPERATION

## MAKING A BEVEL CROSS CUT

See Figures 39 - 40.

It is recommended that you place the piece to be saved on the left side of the blade and that you make a test cut on scrap wood.

### WARNING:

Make sure the blade guard assembly is installed and working properly to avoid serious personal injury.

- Remove the rip fence by lifting the locking lever.
- Unlock the bevel locking lever and move height/bevel adjusting handwheel until bevel indicator is at desired angle.
- Push the bevel locking lever toward the table to relock.
- Set the blade to the correct depth for the workpiece.
- Set miter gauge to 0° and tighten the lock knob.
- Place a support (the same height as saw table) behind the saw for the cut work.
- Make sure the wood is clear of the blade before turning on the saw.
- Let the saw blade build up to full speed before moving the miter gauge and the workpiece into the blade.
- Hold the workpiece firmly with both hands and feed the workpiece into the blade.

**NOTE:** The hand closest to the blade should be placed on the miter gauge lock knob and the hand farthest from the blade should be placed on the workpiece.

- When the cut is made, turn the saw off. Wait for the blade to come to a complete stop before removing any part of the workpiece.

VIEWED FROM THE FRONT, BELOW THE TABLE SAW

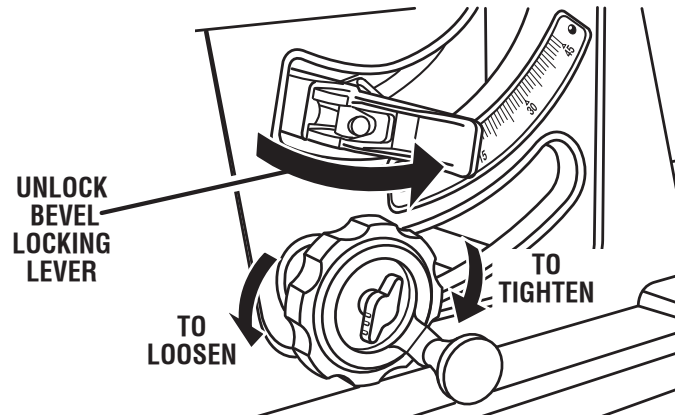
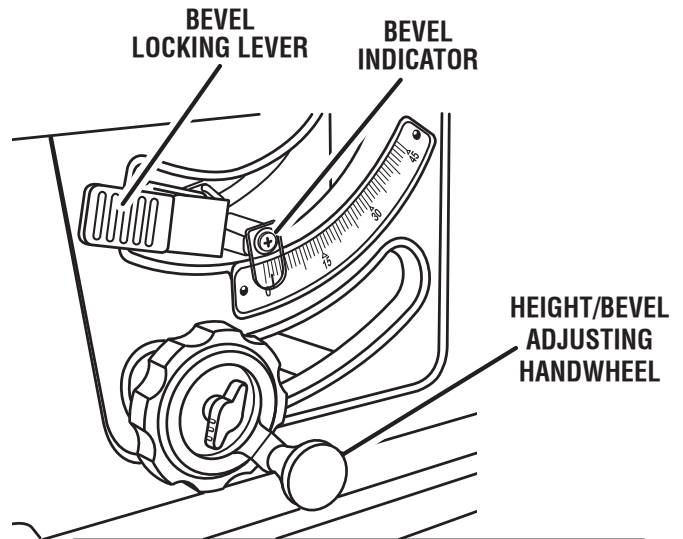


Fig. 39

BEVEL CROSS CUT

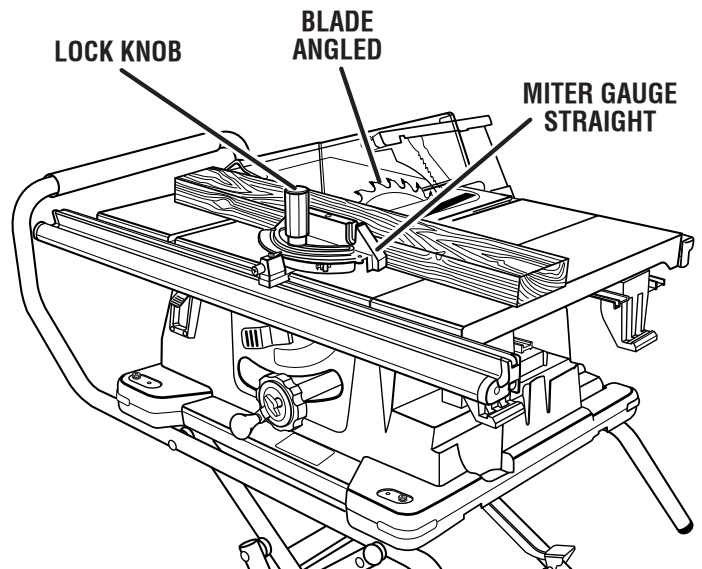


Fig. 40

# OPERATION

## MAKING A BEVEL RIP CUT

See Figure 41.

It is recommended that you make test cuts on scrap wood.

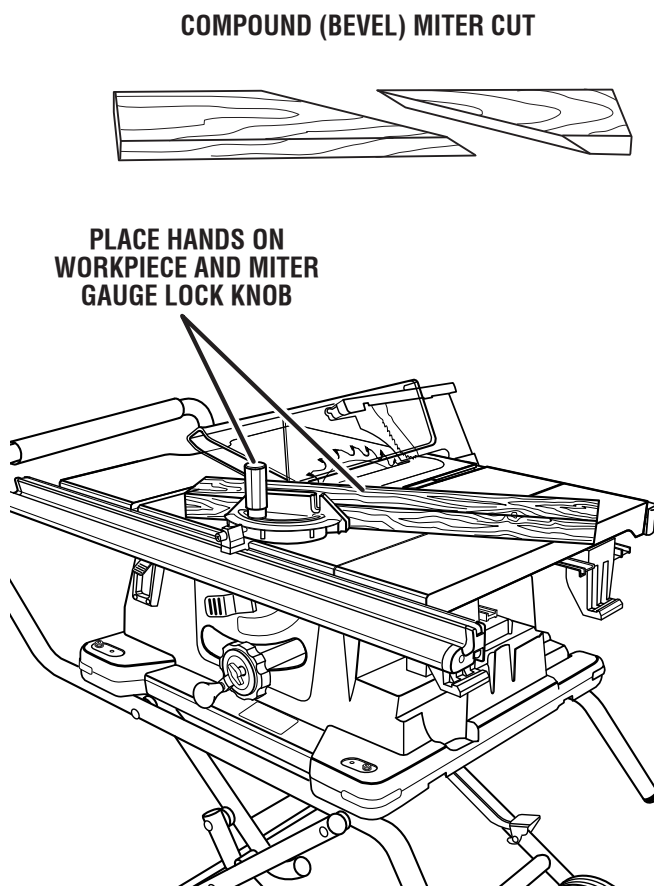
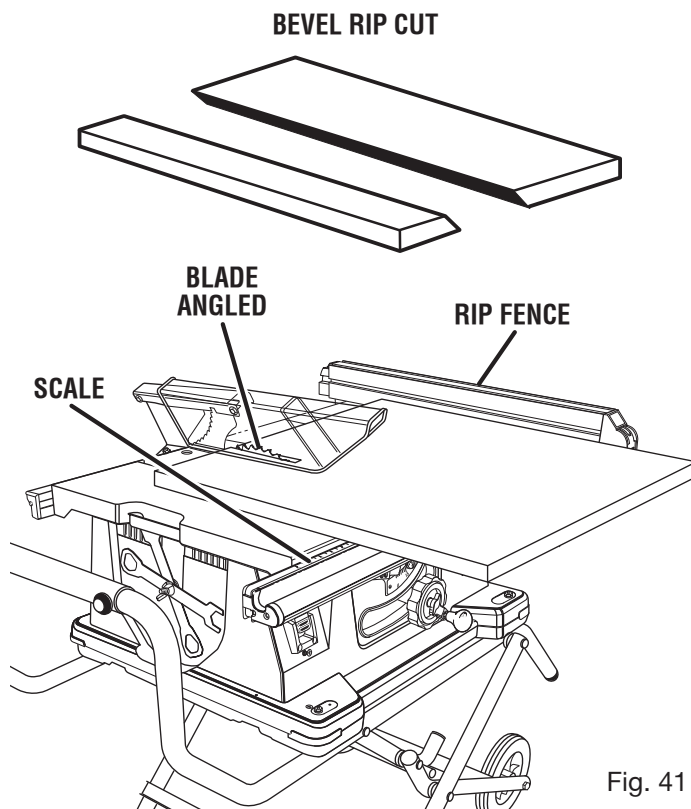
### **⚠ WARNING:**

The rip fence must be on the right side of the blade to avoid trapping the wood and causing kickback. Placement of the rip fence to the left of the blade will result in kickback and the risk of serious personal injury.

### **⚠ WARNING:**

Make sure the blade guard assembly is installed and working properly to avoid serious personal injury.

- Unlock the bevel locking lever and move height/bevel adjusting handwheel until bevel indicator is at desired angle.
- Push the bevel locking lever toward the table to relock it.
- Set the blade to the correct depth for the workpiece.
- Position the rip fence the desired distance from the right side of the blade and lock down the lever.
- If ripping a piece larger than 36 in. long, place a support the same height as the table surface behind the saw for the cut work.
- Make sure the wood is clear of the blade before turning on the saw.
- Position the workpiece flat on the table with the edge flush against the rip fence. Let the blade build up to full speed before feeding the workpiece into the blade.
- Using a push stick and/or push blocks, slowly feed the workpiece toward the blade. Stand slightly to the side of the wood as it contacts the blade to reduce the chance of injury should kickback occur.
- Once the blade has made contact with the workpiece, use the hand closest to the rip fence to guide it. Make sure the edge of the workpiece remains in solid contact with both the rip fence and the surface of the table. If ripping a narrow piece, use a push stick to move the piece through the cut and past the blade.
- When the cut is made, turn the saw off. Wait for the blade to come to a complete stop before removing any part of the workpiece.
- After the blade has stopped completely, remove the cutoff stock.



# OPERATION

## MAKING A COMPOUND (BEVEL) MITER CUT

See Figure 42.

It is recommended that you place the piece to be saved on the left side of the blade and that you make a test cut on scrap wood.

### **WARNING:**

Make sure the blade guard assembly is installed and working properly to avoid serious personal injury.

- Remove the rip fence by lifting the locking lever.
- Unlock the bevel locking lever and move height/bevel adjusting handwheel until bevel indicator is at desired angle.
- Push the bevel locking lever toward the table to relock it.
- Set the blade to the correct depth for the workpiece.
- Set the miter gauge to desired angle and tighten the lock knob.
- Make sure the wood is clear of the blade before turning **ON** the saw.
- Hold the workpiece firmly with both hands and feed the workpiece into the blade.

**NOTE:** The hand closest to the blade should be placed on the miter gauge lock knob and the hand farthest from the blade should be placed on the workpiece.

- Advance the workpiece and the miter gauge toward the blade. Keep the workpiece flush against the miter gauge. Stand slightly to the side of the wood as it contacts the blade to reduce the chance of injury should kickback occur.
- When the cut is made, turn the saw **OFF**. Wait for the blade to come to a complete stop before removing any part of the workpiece.
- After the blade has stopped completely, remove the cutoff stock.

## MAKING A LARGE PANEL CUT

See Figure 43.

Make sure the saw is properly secured to a work surface to avoid tipping from the weight of a large panel.

### **WARNING:**

Make sure the blade guard assembly is installed and working properly to avoid serious personal injury.

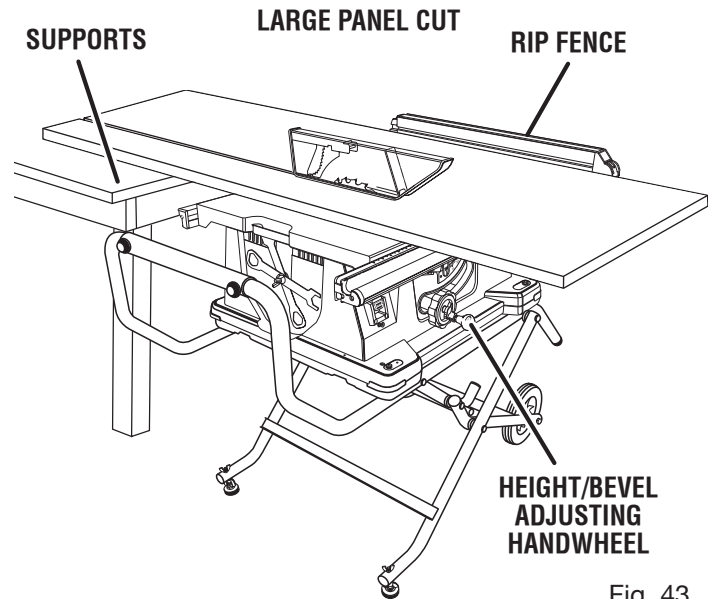


Fig. 43

- Place a support the same height as the top of the saw table behind the saw for the cut work. Add supports to the sides as needed.
- Depending on the shape of the panel, use the rip fence or miter gauge. If the panel is too large to use either the rip fence or the miter gauge, it is too large for this saw.

### **WARNING:**

Never make freehand cuts (cuts without the miter gauge or rip fence). Such a cut increases the risk of kickback and can result in serious injury.

- Make sure the wood is clear of the blade before turning on the saw.
- Let the blade build up to full speed before moving the workpiece into the blade.
- Hold the workpiece firmly and feed the workpiece into the blade.
- When the cut is made, turn the saw off. Wait for the blade to come to a complete stop before removing any part of the workpiece.
- After the blade has stopped completely, remove the cutoff stock.



# OPERATION

## MAKING A NON-THROUGH CUT

See Figure 44.

Non-through cuts can be made with the grain (ripping) or across the grain (cross cut). The use of a non-through cut is essential to cutting grooves, rabbets, and dados.

**NOTE:** This is the only type of cut that is made without the blade guard assembly installed. Make sure the blade guard assembly is reinstalled upon completion of this type of cut.

Read the appropriate section which describes the type of cut in addition to this section on non-through or dado cuts. For example, if your non-through cut is a straight cross cut, read and understand the section on straight cross cuts before proceeding.

- Unplug the saw.
- Lower the blade and remove the screw holding the throat plate in place. Remove the throat plate.
- Raise the saw blade.
- Unlock the bevel locking lever and move height/bevel adjusting handwheel until bevel indicator shows a 30° angle. Push the bevel locking lever toward the table to relock it.
- Remove the blade guard assembly.

**NOTE:** To remove and replace blade guard and spreader for non-through cuts without disturbing the spreader alignment, loosen the blade guard locking knob. Do not loosen other screws.

- Lower the blade and insert the throat plate, then securely tighten the throat plate screw.
- Bring the blade back to 90°.
- Raise the blade to the correct height by turning the height/bevel adjusting handwheel clockwise.

**NOTE:** Carefully check all setups and rotate the blade one full revolution to assure proper clearance before connecting saw to power source.

- Feed the workpiece into the blade.
- Always use push blocks, push sticks, and featherboards when making non-through cuts to avoid the risk of serious injury.

### WARNING:

When making a non-through cut, the cutter is covered by the workpiece during most of the cut. Be alert to the exposed cutter at the start and finish of every cut to avoid the risk of personal injury.

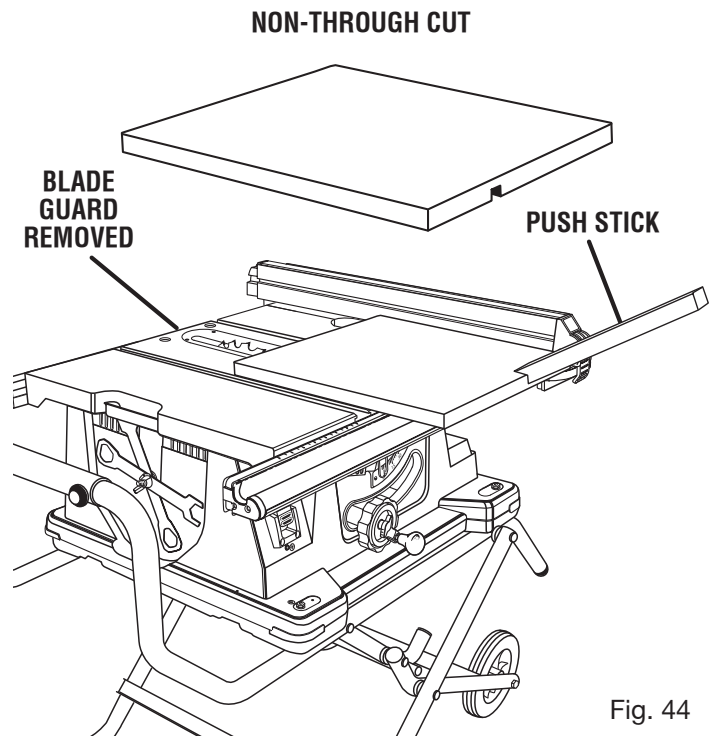


Fig. 44

### WARNING:

Never feed wood with your hands when making any non-through cut such as rabbets or dados. To avoid personal injury, always use push blocks, push sticks, and featherboards.

- When the cut is made, turn the saw off. Wait for the blade to come to a complete stop before removing the workpiece.
- Unplug the saw.
- Lower the blade and remove the screw holding the throat plate in place. Remove the throat plate.
- Raise the saw blade.
- Unlock the bevel locking lever and move height/bevel adjusting handwheel until bevel indicator shows a 30° angle. Push the bevel locking lever toward the table to relock it. Reinstall the blade guard assembly.
- Check spreader alignment to the blade and adjust shims if necessary.
- Lift the bevel locking lever and move the blade back to 90°. Push the bevel locking lever toward the table to relock it.
- Lower the blade, insert the throat plate, then securely tighten the throat plate screw.

# OPERATION

## MAKING A DADO CUT

See Figure 45.

An optional dado throat plate is required for this procedure (refer to the *Accessories* section later in this manual and check with the retailer where the table saw was purchased). All blades and dado sets must not be rated less than the speed of this tool. This saw is designed for use with a 6 in. stack dado (up to width of 13/16 in.). Do not use an adjustable dado on this saw.

**NOTE:** This saw cannot be used to make a bevel dado cut.

- Unplug the saw.
- Lower the blade.
- Remove the blade guard assembly, throat plate, and the saw blade.
- Remove the inner blade washer and the spacer. See Figure 47.
- Reinstall the inner blade washer.
- Mount the dado blade, using the blade and chippers appropriate for the desired width of cut.
- Reinstall the arbor nut.
- Make sure the arbor nut is fully engaged and the arbor extends at least one full thread past a securely tightened arbor nut.
- When mounting dado blades, make sure both the inner blade washer and outer blade washer are used.

### **WARNING:**

Always put all spacers in proper location when changing back to saw blade. Failure to do so may result in possible injury and damage to the tool.

### **WARNING:**

Always use push blocks, push sticks, or featherboards when making dado cuts to avoid the risk of serious injury.

DADO CUT

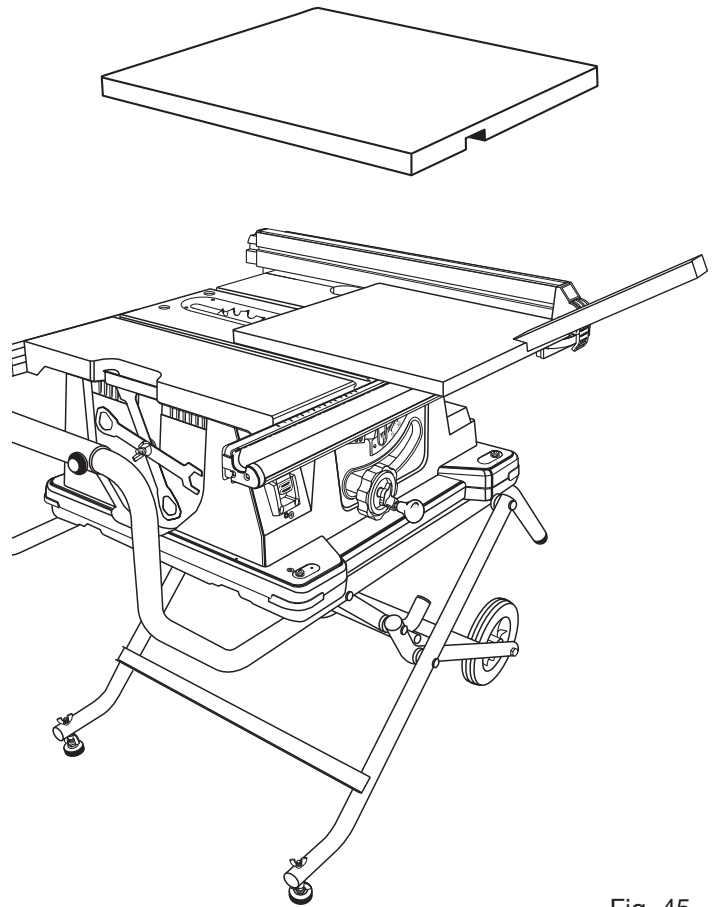


Fig. 45

# ADJUSTMENTS

## ⚠ WARNING:

Before performing any adjustment, make sure the tool is unplugged from the power supply. Failure to heed this warning could result in serious personal injury.

## ⚠ WARNING:

Blades coast after turn off. Possible serious injury can occur if hands come in contact with blade.

The table saw has been adjusted at the factory for making very accurate cuts. However, some of the components might have been jarred out of alignment during shipping. Also, over a period of time, readjustment will probably become necessary due to wear.

To avoid unnecessary set-ups and adjustments, a good practice is to check your setups carefully with a framing square and make practice cuts in scrap wood before making finish cuts in good workpieces. Do not start any adjustments until you have checked with a square and made test cuts to be sure adjustments are needed.

## TO REPLACE THE BLADE

See Figures 46 - 47.

- Unplug the saw.
- Lower the saw blade, raise the blade guard, and remove the throat plate.
- Make sure the bevel locking lever is securely pushed to the left. Raise the saw blade to its full height by turning the height/bevel adjusting handwheel clockwise.
- Using the smaller open wrench, insert the flat open end into the flats on the arbor shaft.
- Insert the closed end of the larger wrench over the hex nut. Holding both wrenches firmly, pull the larger wrench forward to the front of the machine. Make sure the arbor nut is securely tightened. Do not overtighten.

**NOTE:** Arbor shaft has left hand threads.

Check all clearances for free blade rotation. Refer to **To Set the Rip Fence Indicator to the Blade** in the *Operation* section earlier in this manual. In cutting operations, the scale will be set to the side of the blade where the cut will be measured and made.

To replace the blade with an accessory blade, follow the instructions provided with the accessory.

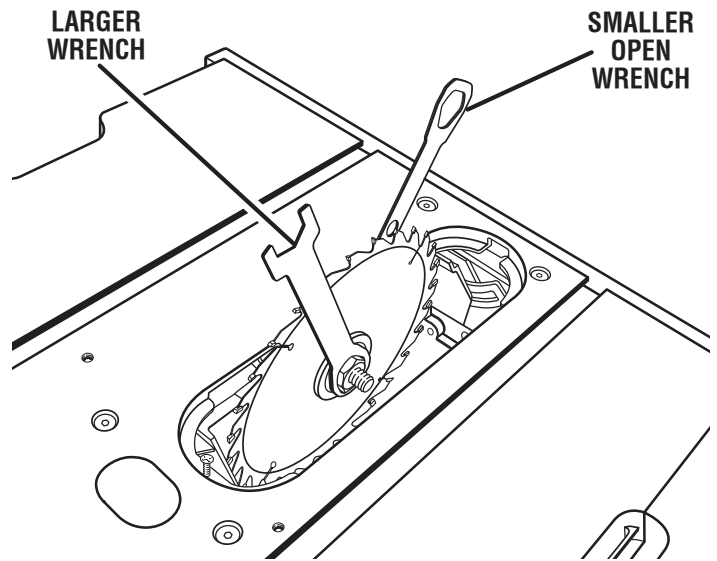


Fig. 46

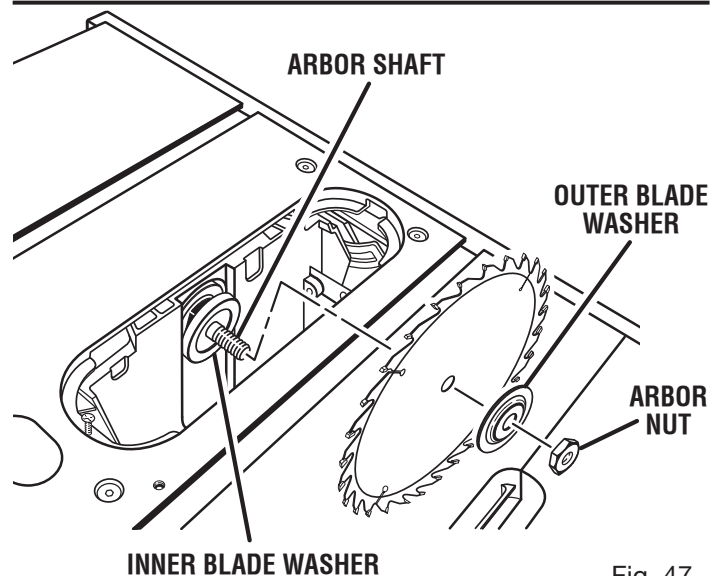


Fig. 47

### To install a standard blade:

- Place the new blade on the arbor shaft (the teeth must point down toward the front of the saw to work properly).
- Place the outer blade washer and the arbor nut over the blade arbor. Be sure the dome side of the outer blade washer faces out from the blade and that all items are snug against the arbor housing. Tighten securely.
- Rotate the blade by hand to make sure it turns freely.
- Lower the saw blade and reinstall the throat plate.

**NOTE:** Securely tighten throat plate screws. Do not allow the throat plate to bow up above the table surface.

# ADJUSTMENTS

## TO SET THE BEVEL INDICATOR AND BEVEL STOPS AT 0° AND 45°

See Figures 48 - 51.

The angle settings of the saw have been set at the factory and, unless damaged in shipping, should not require setting during assembly. After extensive use, it may need to be checked.

### To check for squareness, 0° position:

- Unplug the saw and remove the switch key.
- Raise the blade to a 3 in. depth of cut.
- Release the bevel locking lever.
- Push the height/bevel adjusting handwheel to the left as far as possible.
- Lock the bevel locking lever.
- Place the combination square against blade. Make sure square is not touching the tip of one of the saw teeth.

### If blade is square to the table:

- Check bevel indicator.
- If indicator is not pointing to the 0° mark on the bevel scale, loosen the indicator adjusting screw and adjust indicator.
- Retighten screw.

### If blade is not square to the table:

- Loosen 0° stop screw until it is even with the top of the saw table using 5/32 in. hex key.
- Release the bevel locking lever and position the height/bevel adjusting handwheel until blade is 0° to the table. Lock the bevel locking lever.
- Screw the 0° stop screw until the saw blade starts to move. Check again for squareness and readjust if needed.
- Check bevel indicator.
- If indicator is not pointing to the 0° mark on the bevel scale, loosen the indicator adjusting screw and adjust indicator.
- Retighten screw.

### To check for squareness, 45° position:

- Release the bevel locking lever.
- Push the height/bevel adjusting handwheel to the right as far as possible.
- Lock the bevel locking lever.
- Place the combination square against blade. Make sure square is not touching the tip of one of the saw teeth.

### If blade is square to the table:

- Check bevel indicator.
- If indicator is not pointing to the 45° mark on the bevel scale, loosen the indicator adjusting screw and adjust indicator.
- Retighten screws.

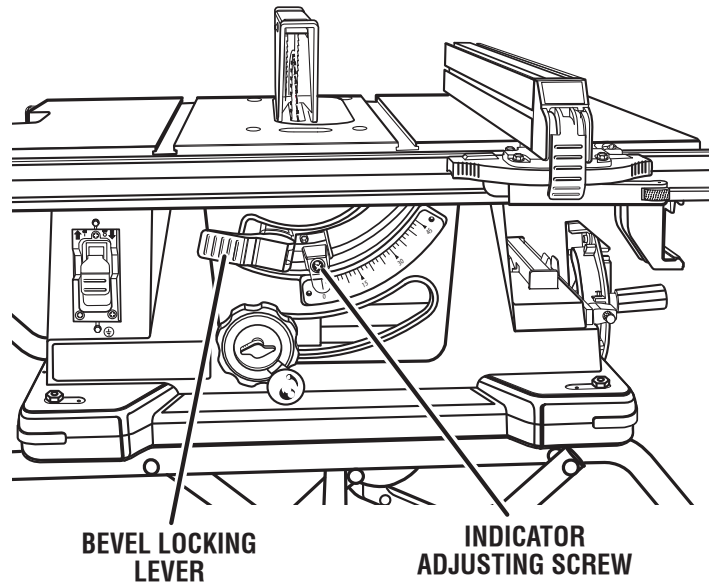


Fig. 48

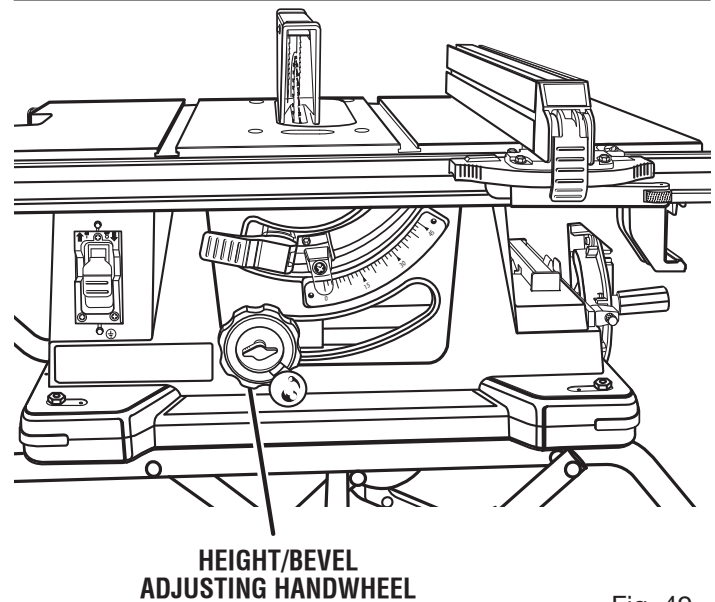


Fig. 49

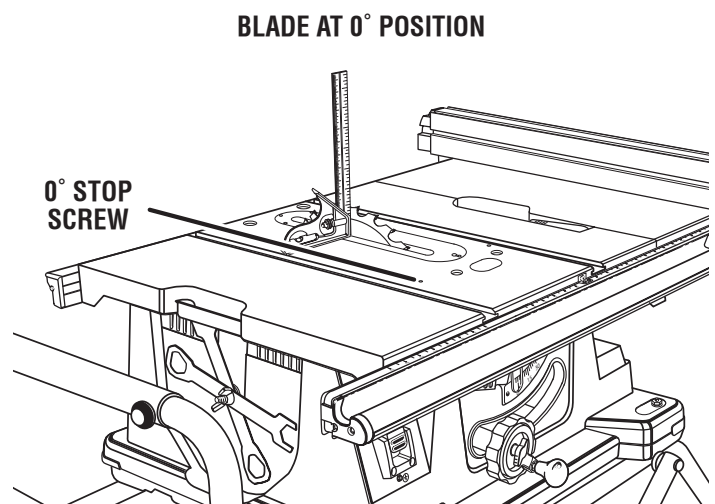


Fig. 50

# ADJUSTMENTS

## If blade is not square to the table:

- Loosen 45° stop screw until it is even with the top of the saw table using 5/32 in. hex key.
- Release the bevel locking lever and position the height/bevel adjusting handwheel until blade is 45° to the table. Lock the bevel locking lever.
- Screw the 45° stop screw until the saw blade starts to move. Check again for squareness and readjust if needed.
- Check bevel indicator.
- If indicator is not pointing to the 45° mark on the bevel scale, loosen the indicator adjusting screw and adjust indicator.
- Retighten screw.

## To set the bevel indicator:

- With the saw blade at 0°, the bevel indicator should be pointing to 0°.
- If not, loosen the indicator adjusting screw and adjust indicator.
- Retighten screw.

## TO ADJUST THE MITER GAUGE

See Figures 52 - 53.

You can set the miter gauge at 0° and plus or minus 45° with the miter gauge stop pin and adjustable stop screws.

**NOTE:** The miter gauge provides close accuracy in angled cuts. For very close tolerances, test cuts are recommended.

### To adjust stop screws:

- Loosen the lock knob and pull out on stop pin to rotate miter gauge base past stop screws.
- Loosen the lock nut of the 0° stop screw at the stop pin with a wrench.
- Place a 90° square against the miter gauge rod and the miter gauge base.
- If the rod is not square, loosen the lock knob, adjust the rod, and retighten the knob.
- Adjust the stop screw until it rests against the stop pin and tighten lock nut.

### To adjust miter gauge base:

The miter gauge base should swivel smoothly on the bar after the knob is loosened. If adjustment is required:

- Loosen the lock knob.
- Loosen set screw.
- If the base is too loose, turn the phillips head screw in a clockwise direction. If the base is too tight, turn the flat head screw in a counterclockwise direction.
- Retighten set screw.

BLADE AT 45° POSITION

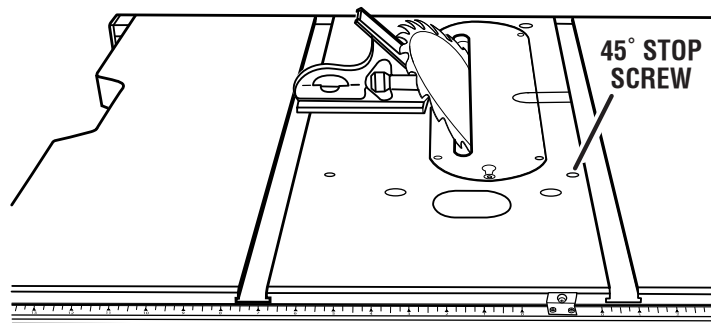


Fig. 51

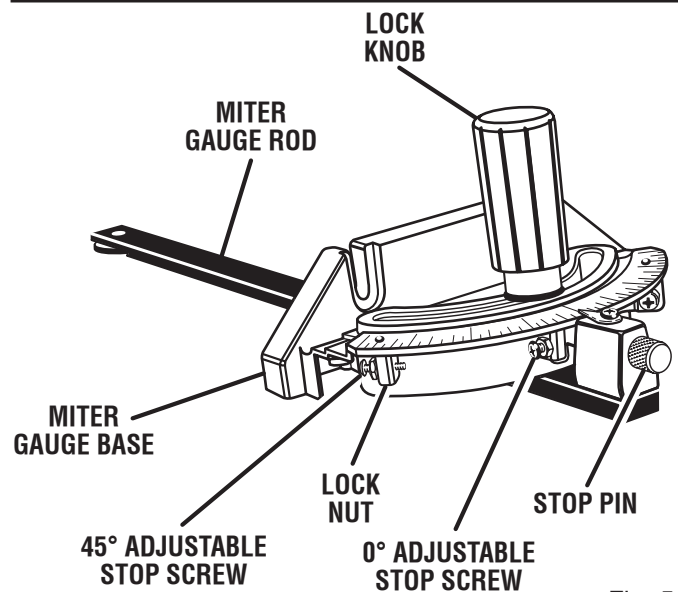


Fig. 52

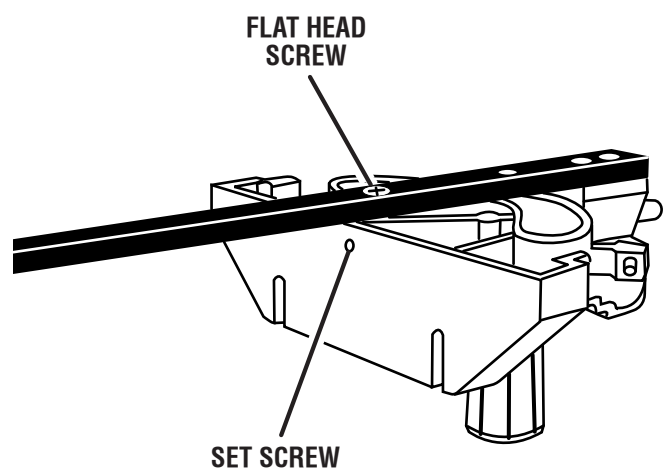


Fig. 53

# ADJUSTMENTS

## TO CHECK AND ADJUST THE ALIGNMENT OF THE RIP FENCE

See Figures 54 - 56.

The rip fence must be parallel to the saw blade and the miter gauge grooves.

### **WARNING:**

A misaligned rip fence can cause kickbacks and jams. To reduce the risk of injury, always maintain proper rip fence alignment

- Unplug the saw.
- Move the rip fence along side the miter gauge groove and lock the rip fence in place with the locking lever.
- If the rip fence is not parallel, loosen the four hex head bolts located to each side of the locking handle.
- Place the blade of the combination square in the right miter gauge groove.
- Slide the rip fence against the blade of the combination square.
- Alternately tighten the hex head bolts. Recheck alignment.
- Repeat steps as needed until rip fence is correctly aligned.

The locking lever on the rip fence should hold the rip fence securely against the front and back rails. The lever should not be difficult to push down and lock. To assure proper fence lock adjustment:

- Raise the locking lever and push rip fence toward rear of saw.
- Hold rip fence down on the front rail while lifting the rear of the rip fence up and down. Tighten adjusting nut until the rip fence clamp barely touches the rear rail.
- With the rip fence in the locked position, recheck rip fence parallelism with the miter gauge groove and adjust if necessary.

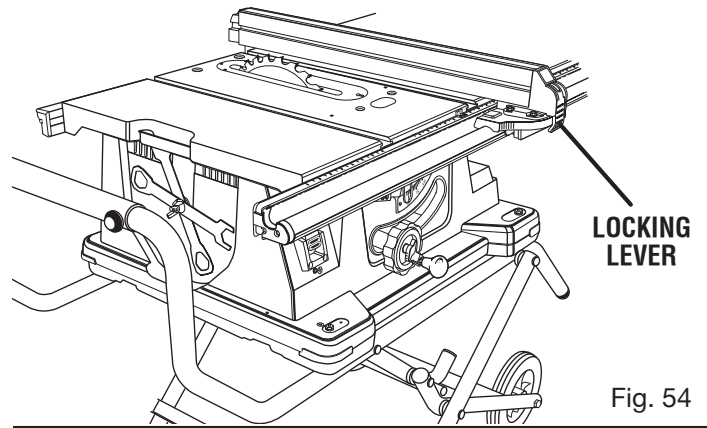


Fig. 54

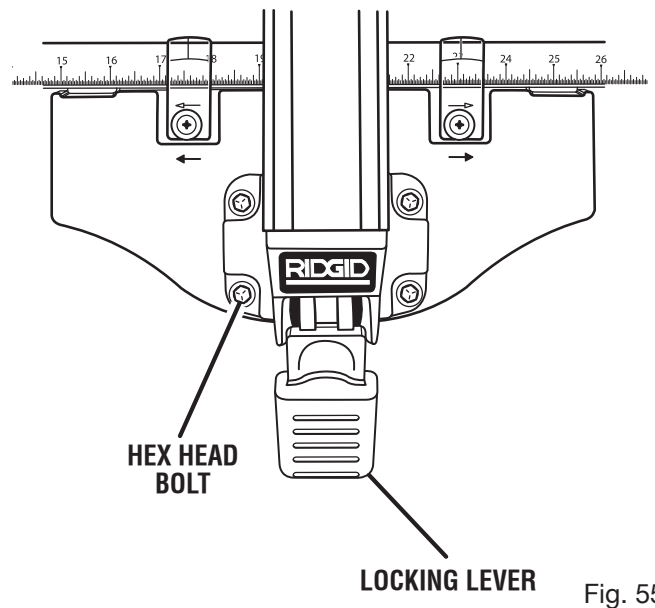


Fig. 55

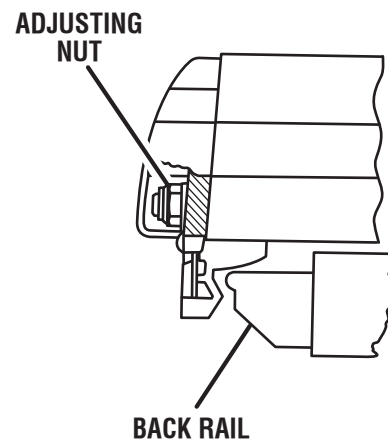


Fig. 56

# ADJUSTMENTS

## TO ADJUST THE BEVEL LOCKING LEVER

See Figure 57.

- Release bevel locking lever and bevel saw blade to 45°.
- Push bevel locking lever to lock blade into place.
- With moderate force, attempt to move the height/bevel adjusting handwheel toward the 0° bevel.
- If height/bevel adjusting handwheel cannot be moved, no adjustment is needed. If handwheel can be moved, adjust the bevel lock nut by rotating clockwise 1/4 turn.
- Repeat above step as necessary.
- Release bevel locking lever and move height/bevel adjusting handwheel back to 0°.

## CHECKING THE TABLE EXTENSION

See Figure 58.

Lock the sliding table extension. The sliding table extension should not move while locked. If the extension moves:

- Lift the table extension lock lever.
- Find the front hex coupling located underneath the front table.
- Loosen the hex locking nut.
- Turn the hex coupling counterclockwise.
- Lock the table extension lock. Push and pull on the sliding table extension.
- Readjust hex coupling if necessary.
- Tighten the hex locking nut against coupling.

## TO ADJUST THE TABLE EXTENSION

See Figure 59.

- Lock table extension lever.
- Loosen the four nuts underneath the sliding table extension.
- Use a combination square to make sure the top of the sliding table extension is the same height as the main table.
- Tighten the four hex nuts. Recheck and readjust if necessary.

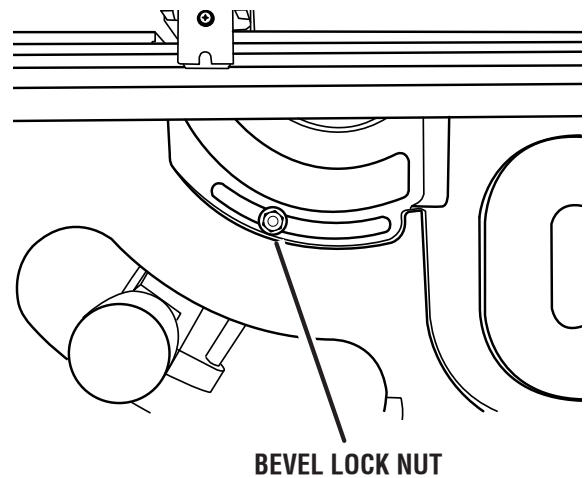


Fig. 57

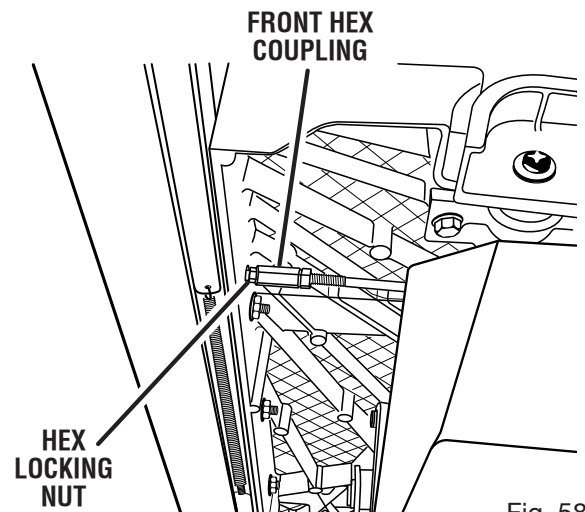


Fig. 58

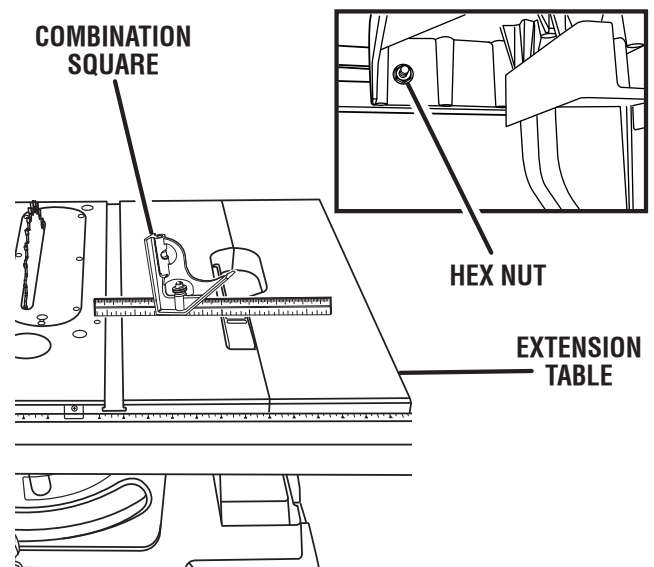


Fig. 59

# MAINTENANCE

## **WARNING:**

When servicing, use only identical RIDGID replacement parts. Use of any other parts may create a hazard or cause product damage.

## **WARNING:**

Always wear safety goggles or safety glasses with side shields during power tool operation or when blowing dust. If operation is dusty, also wear a dust mask.

## GENERAL MAINTENANCE

Avoid using solvents when cleaning plastic parts. Most plastics are susceptible to damage from various types of commercial solvents and may be damaged by their use. Use clean cloths to remove dirt, dust, oil, grease, etc.

## **WARNING:**

Do not at any time let brake fluids, gasoline, petroleum-based products, penetrating oils, etc., come in contact with plastic parts. Chemicals can damage, weaken or destroy plastic which may result in serious personal injury.

- Periodically check all clamps, nuts, bolts, and screws for tightness and condition. Make sure the throat plate is in good condition and in position.
- Check the blade guard assembly.
- Clean cutting tools with a gum and pitch remover.
- To maintain the table surfaces and rails, periodically apply paste wax to them and buff to provide smooth functioning. To prevent work from slipping during cutting operations, **DO NOT** wax the working face of the miter gauge.
- Protect the saw blade by cleaning out sawdust from underneath the saw table and in the blade teeth. Use a resin solvent on the blade teeth.
- **Clean plastic parts only with a soft damp cloth. Do not** use any aerosol or petroleum solvents.

## LUBRICATION

This saw's motor bearings have been packed at the factory with proper lubrication.

- Clean screw threads and nuts with a solvent recommended for gum and pitch removal.
- Lubricate screw threads, nuts, and bearing points (including those on the blade guard assembly and miter gauge).

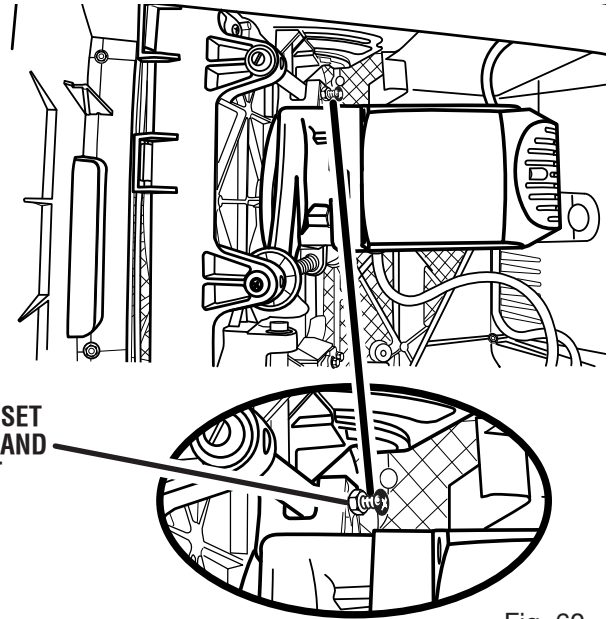


Fig. 60

## NYLON SET SCREW ADJUSTMENT

See Figure 60.

If the saw blade has a slight amount of lateral movement or if the blade is elevated and tends to lower itself slightly, the nylon set screw needs to be tightened.

- Unplug the saw.
- Lower blade completely and bevel to 45°. Lock the blade.
- Turn saw upside down.
- Locate the nylon set screw and nut.
- Turn the nut counterclockwise to loosen.
- Tighten the set screw.
- Retighten the nut.
- Bevel the saw blade back to 0°.



# MAINTENANCE

---

## BRUSH REPLACEMENT

See Figure 61.

- Unplug the saw.
- Lower blade completely and bevel to 45°. Lock the blade.
- Turn saw upside down.
- Remove brush caps with a screwdriver.  
**NOTE:** Brush assembly is spring load and will pop out when brush cap is removed.
- Remove brush assemblies and check for wear.
- Replace both brushes when either has less than 1/4 in. length of carbon remaining. **Do not** replace one side without replacing the other.
- Reassemble using new brush assemblies by reversing the steps listed above. Make sure curvature of brush matches curvature of motor and that brush moves freely in brush tube.
- Tighten all brush caps securely. **Do not** overtighten.

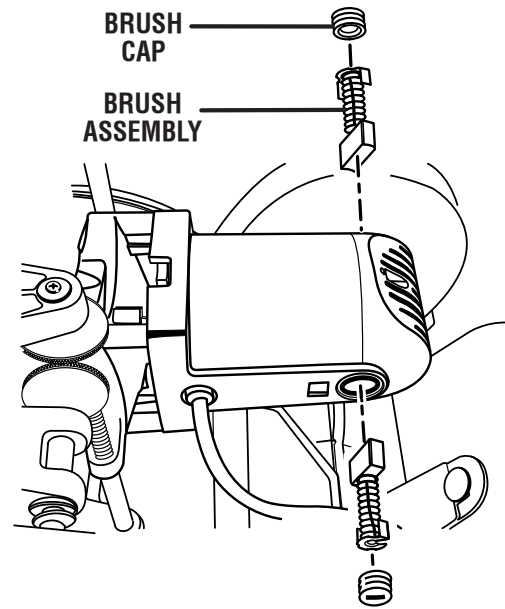


Fig. 61

---

## ACCESSORIES

---

Look for these accessories where you purchased this product:

AC1022	Miter Gauge Hold Down
AC1040	Molding/Dado Throat Plate
AC1045	Zero Clearance Throat Plate
AC9933	Flip Top Portable Work Support

---

### WARNING:

Current attachments and accessories available for use with this tool are listed above. Do not use any attachments or accessories not recommended by the manufacturer of this tool. The use of attachments or accessories not recommended can result in serious personal injury.

---

# TROUBLESHOOTING

Problem	Cause	Solution
Excess vibration.	Blade is out of balance.	Replace blade.
	Blade is damaged.	Replace blade.
	Saw is not mounted securely.	Tighten all hardware.
	Work surface is uneven.	Reposition on flat surface.
	Blade is warped.	Check saw blade installation.
Rip fence does not move smoothly.	Rip fence not mounted correctly.	Remount the rip fence.
	Rails are dirty or sticky.	Clean and wax rails.
	Clamp screw is out of adjustment.	Adjust clamp screw.
Rip fence does not lock at rear.	Clamp screw is out of adjustment.	Adjust clamp screw.
Cutting binds or burns work.	Blade is dull.	Replace or sharpen blade.
	Blade is heeling.	Align rip fence, miter gauge, and/or blade.
	Work is fed too fast.	Slow the feed rate.
	Rip fence is misaligned.	Align the rip fence.
	Separator is out of alignment.	See <b>To Check and Align the Blade Guard Assembly</b> in the <i>Assembly</i> section.
	Wood is warped.	Replace the wood. Always cut with convex side to table surface.
Wood edges away from rip fence when ripping.	Rip fence is misaligned.	Check and adjust the rip fence.
	Blade not properly aligned or set.	Resharpener or set blade.

# TROUBLESHOOTING

Problem	Cause	Solution
Saw does not make 0° or 45° cuts.	Bevel stops not properly adjusted.	See <b>To Set the Bevel Indicator and Bevel Stops at 0° and 45° (Squaring the Blade)</b> in the <i>Adjustments</i> section.
	Miter gauge is misaligned (Miter Cuts).	See <b>To Adjust the Miter Gauge</b> in the <i>Adjustments</i> section.
Height/Bevel Adjusting Handwheel is hard to turn.	Gears or screw post inside cabinet are clogged with sawdust.	Clean the gears or screw posts.
	Handwheel is locked.	Unlock the height/bevel adjusting handwheel by pushing the bevel lock lever to the right.
Saw does not start.	Power cord not plugged in.	Plug in power cord.
	Circuit fuse is blown.	Replace circuit fuse.
	Circuit breaker is tripped.	Reset circuit breaker.
	Cord, switch, or motor is damaged.	Have replaced by qualified service center.
Blade makes poor cuts.	Blade is dull or dirty.	Clean, sharpen, or replace blade.
	Blade is wrong type for cut being made.	Replace with correct type.
	Blade is mounted backwards.	Remount blade.
Motor overheats.	Work is fed too fast; motor overloaded.	Feed work slower into the blade.
Motor labors in rip cut.	Blade not proper for rip cut.	Change blade; rip blade typically has fewer teeth.



# WARRANTY

---

## RIDGID® HAND HELD AND STATIONARY POWER TOOL 3 YEAR LIMITED SERVICE WARRANTY

Proof of purchase must be presented when requesting warranty service.

Limited to RIDGID® hand held and stationary power tools purchased 2/1/04 and after. This product is manufactured by One World Technologies, Inc. The trademark is licensed from RIDGID, Inc. All warranty communications should be directed to One World Technologies, Inc., attn: RIDGID Hand Held and Stationary Power Tool Technical Service at (toll free) 1-866-539-1710.

### 90-DAY SATISFACTION GUARANTEE POLICY

During the first 90 days after the date of purchase, if you are dissatisfied with the performance of this RIDGID® Hand Held and Stationary Power Tool for any reason you may return the tool to the dealer from which it was purchased for a full refund or exchange. To receive a replacement tool you must present proof of purchase and return all original equipment packaged with the original product. The replacement tool will be covered by the limited warranty for the balance of the 3 YEAR service warranty period.

### WHAT IS COVERED UNDER THE 3 YEAR LIMITED SERVICE WARRANTY

This warranty on RIDGID® Hand Held and Stationary Power Tools covers all defects in workmanship or materials and normal wear items such as brushes, chucks, motors, switches, cords, gears and even cordless batteries in this RIDGID® tool for three years following the purchase date of the tool. Warranties for other RIDGID® products may vary.

### HOW TO OBTAIN SERVICE

To obtain service for this RIDGID® tool you must return it; freight prepaid, or take it in to an authorized service center for RIDGID® branded hand held and stationary power tools. You may obtain the location of the authorized service center nearest you by calling (toll free) 1-866-539-1710 or by logging on to the RIDGID® website at [www.ridgid.com](http://www.ridgid.com). When requesting warranty service, you must present the original dated sales receipt. The authorized service center will repair any faulty workmanship, and either repair or replace any part covered under the warranty, at our option, at no charge to you.

### WHAT IS NOT COVERED

This warranty applies only to the original purchaser at retail and may not be transferred. This warranty only covers defects arising under normal usage and does not cover any malfunction, failure or defect resulting from misuse, abuse, neglect, alteration, modification or repair by other than an authorized service center for RIDGID® branded hand held and stationary power tools. Consumable accessories provided with the tool such as, but not limited to, blades, bits and sand paper are not covered.

**RIDGID, INC. AND ONE WORLD TECHNOLOGIES, INC. MAKE NO WARRANTIES, REPRESENTATIONS OR PROMISES AS TO THE QUALITY OR PERFORMANCE OF ITS POWER TOOLS OTHER THAN THOSE SPECIFICALLY STATED IN THIS WARRANTY.**

### ADDITIONAL LIMITATIONS

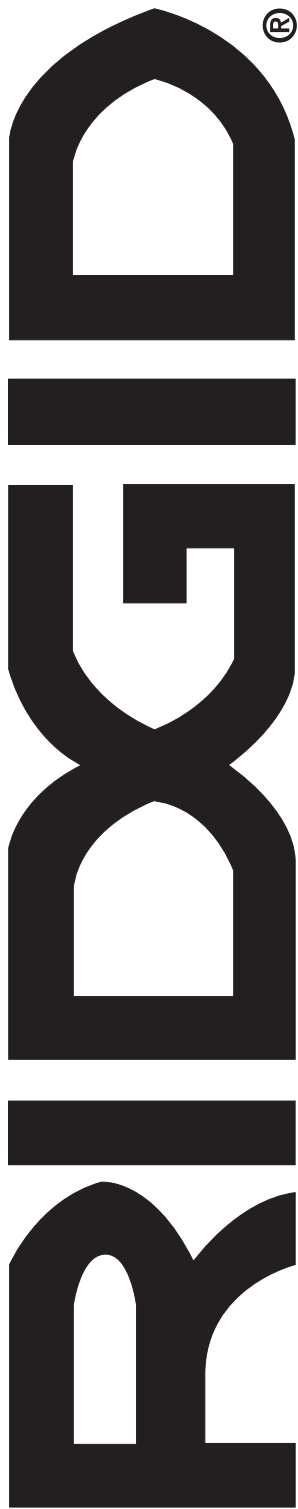
To the extent permitted by applicable law, all implied warranties, including warranties of MERCHANTABILITY or FITNESS FOR A PARTICULAR PURPOSE, are disclaimed. Any implied warranties, including warranties of merchantability or fitness for a particular purpose, that cannot be disclaimed under state law are limited to three years from the date of purchase. One World Technologies, Inc. and RIDGID, Inc. are not responsible for direct, indirect, incidental or consequential damages. Some states do not allow limitations on how long an implied warranty lasts and/or do not allow the exclusion or limitation of incidental or consequential damages, so the above limitations may not apply to you. This warranty gives you specific legal rights, and you may also have other rights which vary from state to state.

---

**One World Technologies, Inc.**

P.O. Box 35, Hwy. 8  
Pickens, SC 29671

---



# OPERATOR'S MANUAL

## 10 in. TABLE SAW TS2410LS

### CUSTOMER SERVICE INFORMATION

For parts or service, contact your nearest RIDGID authorized service center. Be sure to provide all relevant information when you call or visit. For the location of the authorized service center nearest you, please call 1-866-539-1710 or visit us online at [www.ridgidwoodworking.com](http://www.ridgidwoodworking.com).

The model number of this tool is found on a plate attached to the motor housing. Please record the serial number in the space provided below. When ordering repair parts, always give the following information:

**Model No.** TS2410LS

**Serial No.** \_\_\_\_\_

## Free Manuals Download Website

<http://myh66.com>

<http://usermanuals.us>

<http://www.somanuals.com>

<http://www.4manuals.cc>

<http://www.manual-lib.com>

<http://www.404manual.com>

<http://www.luxmanual.com>

<http://aubethermostatmanual.com>

Golf course search by state

<http://golfingnear.com>

Email search by domain

<http://emailbydomain.com>

Auto manuals search

<http://auto.somanuals.com>

TV manuals search

<http://tv.somanuals.com>