

This appliance may be installed in an aftermarket, permanently located, manufactured home (USA only) or mobile home, where not prohibited by local codes.

This appliance is only for use with the type of gas indicated on the rating plate. This appliance is not convertible for use with other gases, unless a certified kit is used.

Table of Contents

Consumer Safety Information		<i>Care and Maintenance</i>	
<i>Safety Definitions</i>	2	Maintenance	11
<i>Safety Behaviors and Practices</i>	3	Filters	11
<i>Safety Features</i>	3	Visual Inspection of Flame	11
Specifications	4	Care of Exterior.....	12
<i>Features</i>	5	Cleaning Combustion Chamber Glass	12
<i>Dimensions</i>	5	<i>Troubleshooting</i>	13
<i>Flue Manifolds</i>	5	<i>Fault Codes</i>	14
Operating Instructions		Installation Instructions	
<i>Front Panel</i>	6	<i>General Instructions</i>	15
<i>Remote Control Features</i>	7	<i>Clearances to Combustibles</i>	15
<i>Remote Control Care</i>	7	<i>Flue Terminal Clearances</i>	16, 17
<i>Sequence of Operations</i>	8	<i>Location</i>	18, 19
<i>Basic Fireplace Operations</i>		<i>Drilling Flue and Gas Supply Holes</i>	20
Turning ON and OFF	8	<i>Flue Manifold Installation</i>	20, 21
Remote Control Operation.....	8	<i>Extension Kit Installation</i>	22, 23
Adjusting the Temperature	9	<i>Connections</i>	24, 25
Obstruction of Warm Air Discharge	9	<i>Final Assembly</i>	
Lock Function	9	Install the Logs.....	26
Flame Function	9	Open the Air Guide Vanes.....	27
Auto Off Function.....	9	Install the Front Panel.....	27
<i>Timers</i>		<i>Operating Instructions</i>	28
Programming the Clock and Timers	10	<i>Wiring and Schematic Diagram</i>	29
Using the Timers.....	10	<i>Parts List</i>	30-36
Using the Override.....	10	Consumer Support	36, 37
Pre-heat	10		

Consumer Safety Information

Safety Definitions



This is the safety alert symbol. This symbol alerts you to potential hazards that can kill or hurt you and others.



Indicates an imminently hazardous situation which, if not avoided, will result in death or serious injury.



Indicates a potentially hazardous situation which, if not avoided, could result in death or serious injury.



Indicates a potentially hazardous situation which, if not avoided, could result in minor or moderate injury. It may also be used to alert against unsafe practices.

Safety Behavior and Practices

WARNING

- Keep the area around the appliance clear and free from combustible materials, gasoline, and other flammable vapors and liquids.
- Do not use this appliance if any part has been under water. Immediately call a qualified service technician to inspect the appliance and to replace any part of the control system and any gas control which has been under water.
- Do not operate appliance with the glass front removed, cracked, or broken. Replacement of the glass should be performed by a licensed or qualified service technician.
- Broken or damaged components should be removed or repaired by a licensed or qualified service technician.
- Never store liquid propane containers indoors.

CAUTION

- Do not block the warm air discharge. Do not allow anyone to sleep directly in front of the appliance.
- Due to high temperatures, the appliance should be located out of traffic and away from furniture and draperies.
- Children and adults should be alerted to the hazards of high surface temperature and should stay away to avoid burns or clothing ignition. Hand or body contact with the warm air discharge louvers and glass must be avoided.
- Young children should be carefully supervised when they are in the same room as the appliance.
- Clothing or other flammable material should not be placed on or near the appliance.
- Do not insert items into the louvers.
- Do not spray aerosols near the appliance while it is operating. Most aerosols contain butane gas which is flammable.
- Do not place items on or against the appliance. If there is a power failure while the appliance is ON then the overheat vent on top of the panel may open to release internal heat. An item placed on top of the appliance could prevent the overheat vent from opening resulting in damage to the appliance.
- Any safety filter or guard removed for servicing must be replaced prior to operating the appliance.

Safety Features

- **Overheat:** The appliance will automatically shut down when the appliance exceeds a predetermined temperature.
- **Flame Failure:** The appliance will automatically shut down if the burner flame is extinguished.
- **Power Failure:** The appliance will cut off the gas if it loses electrical power.
- **Power Surge Fuse:** A glass fuse power supply harness protects against overcurrent. If the fuse blows then all indicator lamps will be off.
- **Spark Detector:** The appliance automatically shuts down if there is an abnormal spark at ignition.

Specifications

Application	Inbuilt only; for residential installation, commercial setting, or manufactured home; not designed for installation in a solid-fuel burning fireplace
General Description	Inbuilt convector, glass and steel fronted, ceramic log space heater with forced convection and power flue system
Operation	Push button electronic / remote control
Gas Connection	Flex line is 3/8 inch flare nut; ball valve is 1/2 inch female x 3/8 inch flare
Gas Control	Electronic
Burners	Flame burners
Temperature Control	Electronic thermostat
Logs	Ceramic
Ignition System	Electronic spark ignition
Flue System	The flue must be terminated to atmosphere. Only flue components listed with the appliance's certification can be used. Warranty will be voided if non-listed components are installed.
Electrical Connection	AC 120V, 60 Hz
Fan	3 speed
Weight	154.3 lb (70 kg)

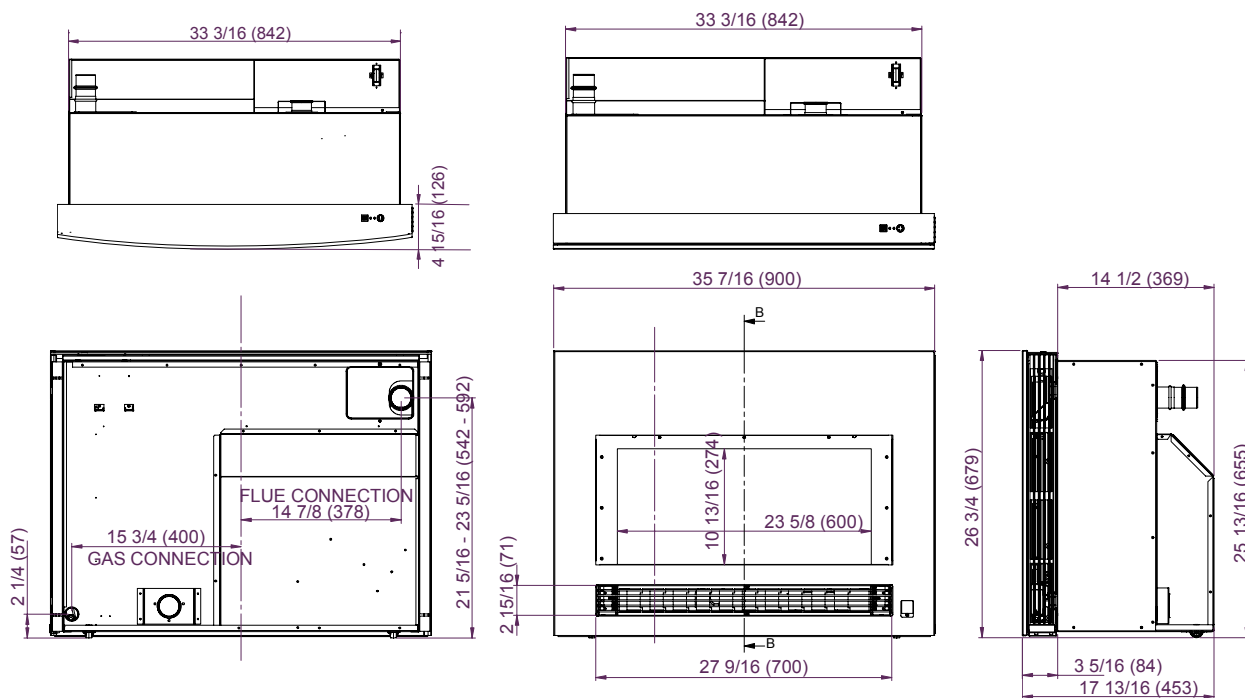
	Natural Gas	Propane Gas
Minimum supply gas pressure	4.3 in (109 mm) W.C.	9.8 in (249 mm) W.C.
Maximum supply gas pressure	10.5 in (267 mm) W.C.	13.0 in (330 mm) W.C.
Manifold test pressure	Factory Set	Factory Set
BTU/hour input	Natural Gas: Low - 10000 BTU/h; High - 29000 BTU/h Propane: Low - 10000 BTU/h; High - 28000 BTU/h	
BTU/hour output	Natural Gas: Low - 7850 BTU/h; High - 21900 BTU/h Propane: Low - 8050 BTU/h; High - 21840 BTU/h	

Rinnai is continually updating and improving products. Therefore, specifications are subject to change without prior notice.

Features

- **Direct Vent:** Intake air is taken from the outside and the combustion products are exhausted to the outside. Therefore the furnace has no effect on the quality of the indoor air.
- **Push Button Ignition:** Only one push of the STANDBY/ON switch is all that is required to operate the heater.
- **Lock:** The buttons on the remote control can be locked to prevent any unintended operation.
- **Dual Timer:** The appliance can be programmed to operate at two separate periods during the day.
- **Pre-heat:** The appliance will turn on before the programmed ON time and begin raising the room temperature to that of the programmed temperature by the ON time.
- **Memory:** The computer memory records preset temperatures, timer programming, and, operational modes.
- **Remote Control:** The appliance has a fully functioning cordless remote control.
- **Auto-Off Function:** You have the option of having the flame display remain on or off once the room temperature reaches the temperature setting.

Dimensions

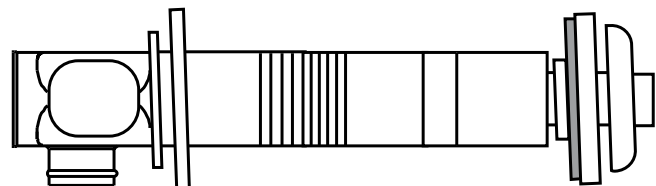


Flue Manifolds

See the installation instructions for the parts list of the vent kit.

The "A" Vent Kit is included with the appliance.

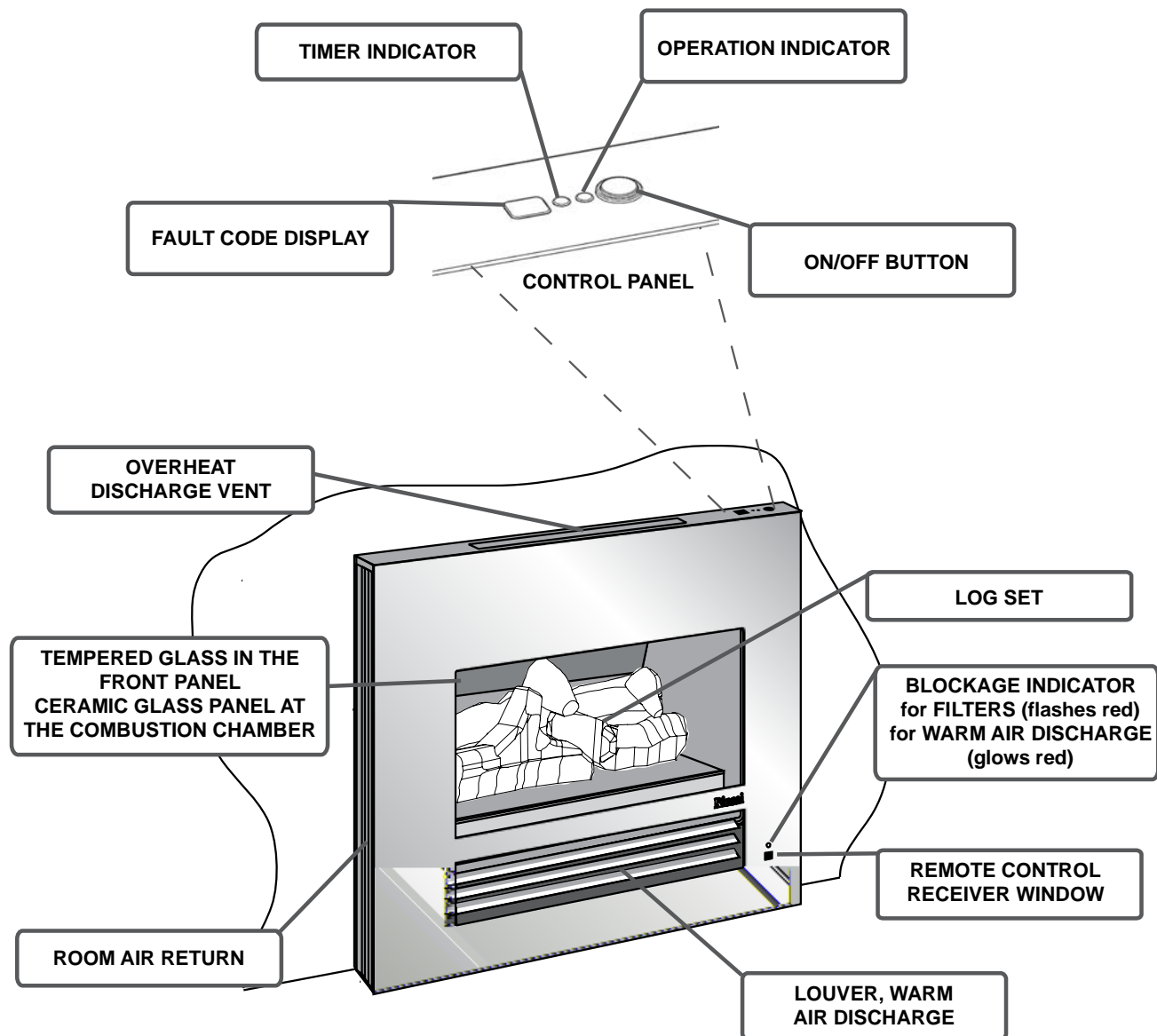
The following flue manifold sizes are available:



Name	Kit No.	fits walls
A Vent Kit	FOT-203	4 1/3 - 9 1/2 inch (110 - 240 mm)
B Vent Kit	FOT-204	9 1/2 - 15 3/4 inch (240 - 400 mm)

Operating Instructions

Front Panel



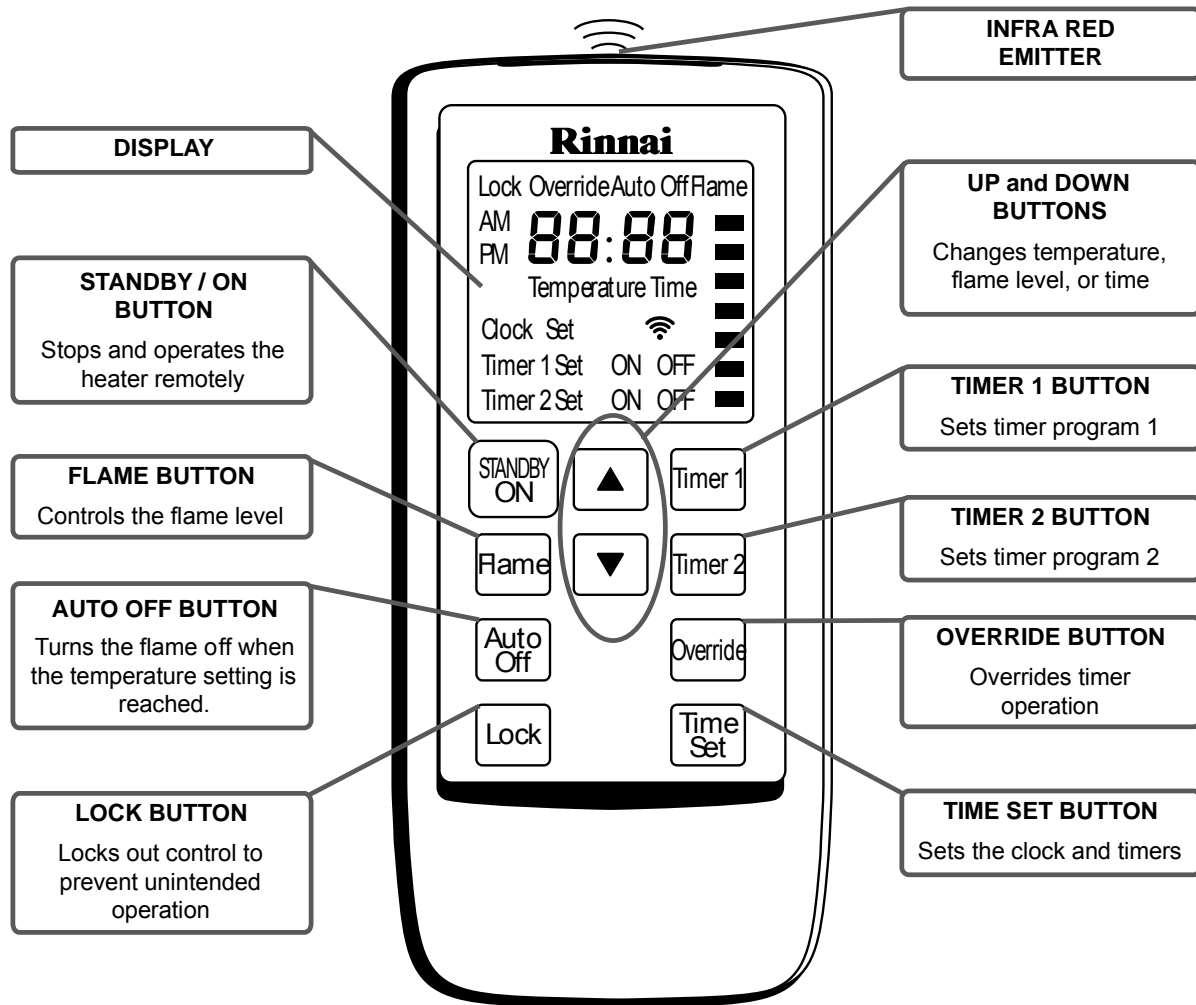
Front Panel

(features are the same for flat and curved models)

Front Panel Models

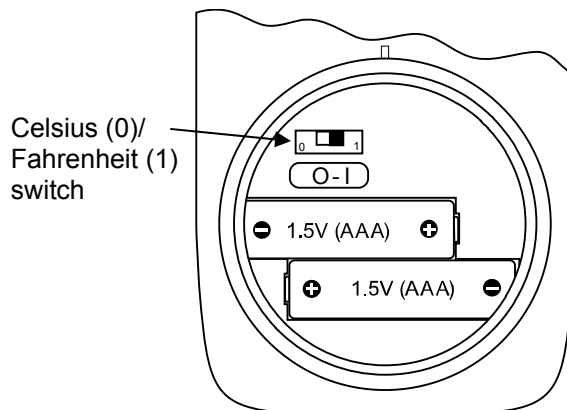
Description	Part Number
Flat Metal - Black Front	R2700
Flat Metal - Stainless Steel Front	R2701
Radius (curved) Glass - Silver Front	R2702
Radius (curved) Glass - Black Front	R2703

Remote Control Features



Remote Control Care

- Use two 1.5V AAA batteries.
- To replace batteries unscrew the battery compartment cover located on the back of the remote control counter clockwise. Ensure that the correct polarity is observed. The polarity is engraved into the battery compartment. Replace the cover by turning clockwise until a soft click is heard.
- To avoid damage from leaking batteries, remove batteries if the remote control is not going to be used for a long period.
- Some fluorescent lights may interfere with the transmission of remote control signals.
- Avoid leaving the remote control in direct sunlight.
- Do not place it close to the warm air discharge louvers.
- Avoid dropping the remote control or getting it wet.



Sequence of Operations

The combustion fan will run for several seconds before ignition to purge the combustion chamber of any gas.

If the front burner fails to ignite the appliance will turn off and fault code 11 will be displayed. If the rear burner fails to ignite the appliance will turn off and make another attempt to ignite. If this second attempt fails, the appliance will automatically turn off and fault code 11 will be displayed. This may occur when using the appliance for the first time or if it has not been used for a while. Try operating the appliance again.

The appliance may make noises after ignition or extinction of the flame. This is normal and is due to the thermal expansion or contraction of its components.

If the ON/OFF or the STANDBY/ON button is pressed immediately after the flame has been extinguished, the appliance will delay ignition for about 1 minute.

The normal ignition sequence is as follows:

1. When the ON/OFF or the STANDBY/ON button is pressed the Operation Indicator LED will glow red and the combustion fan will rotate to purge the combustion chamber.
2. Electric ignitor operates.
3. Gas is allowed to flow to the pilot when a spark is sensed.
4. When the pilot flame is established gas will flow to the front burners and then to the rear burners.
5. When all burners are established the appliance will automatically maintain the temperature setting.

NOTE: The appliance will wait until the heat exchanger is warmed up before discharging air. This ensures that any discharge air will be warm and not cold.

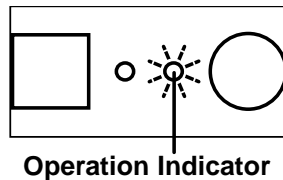
Basic Fireplace Operations

Turning ON and OFF

The Operation Indicator will glow red when the appliance is ON.

The appliance will turn ON - and attempt ignition:

- when you press the ON/OFF button on the appliance panel while the appliance is OFF.
- when you press the STANDBY/ON button on the remote control while the appliance is in STANDBY.
- at the TIMER setting after you have activated the TIMER and while the appliance is in STANDBY.




Pressing the STANDBY/ON button on the remote control while the appliance is ON will put the appliance in STANDBY mode, extinguishing all flames and cause the Operation Indicator to glow green.

Pressing the ON/OFF button while the appliance is ON or in STANDBY will turn the appliance OFF.

Remote Control Operation

The remote control emits an infrared (IR) signal and must be aimed at the receiver located to the right of the warm air discharge louvers. The normal operating range is about 16 feet (4.9 m) with an angle of about 40 degrees to the horizontal. This range will vary depending on the position of the installation and the strength of the remote control batteries.

Signal transmissions are confirmed by

- a brief illumination of the Transmission Signal Indicator on the Remote Display 
- a flash by the Remote Control Receiver to the right of the louvers
- a beep from the appliance

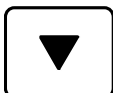
The remote control transmits information whenever a button is pressed except as follows:

- when the lock function is activated
- when setting the timers, timer information is transmitted only when the "TIME SET" button is pressed

Basic Fireplace Operations

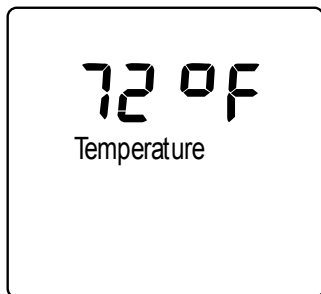
Adjusting the Temperature

Pressing the UP and DOWN buttons will change the temperature setting by 2 degree (F) increments. The display will show "Temperature" and the new temperature as confirmation.



The temperature can be set to:

- L (Low) - burner is on minimum combustion
 - 60° F - 80° F in two degree increments
- H (High) - burner is on maximum combustion



To use Celsius scale, open the battery compartment and move the switch toward "0".

The temperatures 16-26° C are available in one degree increments. To return to Fahrenheit scale move the switch toward "1".

Obstruction of Warm Air Discharge

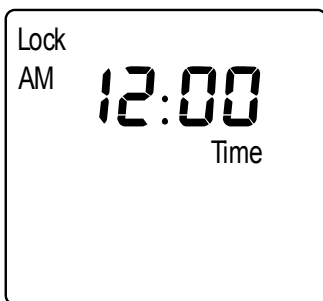
Obstructing the louvers for the warm air discharge will cause the appliance to operate inefficiently.

When an obstruction is detected the Blockage Indicator LED above the Receiver Window will glow red and combustion reduces to front burner, low operation only.

To restore normal operation, remove the obstruction, turn the appliance OFF and then ON.

Lock Function

Pressing the LOCK button will cause all functions of the remote control to be locked except for the STANDBY/ON button.



The remote control display will show the word "Lock" in the top left corner.

To cancel the Lock function press down and hold the LOCK button for 3 seconds.

Flame Function

Press the FLAME button to control the flame level. There are seven levels of flame available.



The display will show the word "Flame" and a series of short bars (one for each flame level).

Use the UP or DOWN buttons to select the desired flame level.

Pressing the FLAME button again will allow the appliance to control the

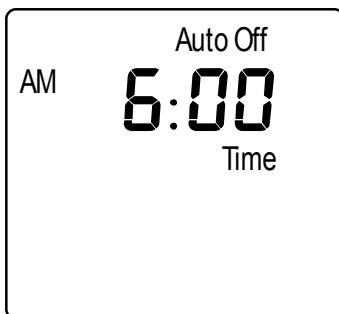
flame automatically.

If the room temperature reaches 104° F (40° C) while the flame function is on then the appliance will turn off automatically as a safety precaution.

The FLAME function is not available during TIMER operation.

Auto Off Function

When the appliance is not in AUTO OFF mode and the room temperature reaches the temperature setting the appliance will reduce the gas flow and maintain the flame on the lowest flame level. The temperature may continue to rise even on this low setting. If the



temperature reaches 104° F (40° C) then the appliance will automatically shut down with fault code 16.

In AUTO OFF mode the gas flow will be reduced to pilot operation with no visible flame when the temperature setting is reached. To enter this mode press the AUTO OFF button. The words "Auto Off" will be displayed above the time. To exit this mode press the AUTO OFF again.

Whether this mode is on or off, the appliance will attempt to maintain the temperature setting.

Timers

Programming the clock and timers

The clock must be set before the timers will operate. The temperature setting during timer operation is the temperature last used when the appliance was on. During the steps below, if no button is pressed for 90 seconds then the screen will return to the current time display.

Time Set 1. Press the TIME SET button. The display will show the words "Clock Set" and "AM 12:00" or the time.

▲ 2. Use the UP or DOWN buttons to set the desired clock time.

▼ NOTE: If you do not want to set the timers now then press the TIME SET button five more times to finish setting the clock.

3. Press the TIME SET button. "Timer 1 Set ON" and "AM 6:00" or the last programmed time will be displayed. Use the UP or DOWN buttons to set the desired on time. When finished press the TIME SET button.

4. "Timer 1 Set OFF" and "AM 9:00" or the last programmed time will be displayed. Use the UP or DOWN buttons to set the desired off time. When finished press the TIME SET button.

5. To set Timer 2 repeat steps 3 and 4. If finished press the TIME SET button two more times to complete setting the clock

and Timer 1.

Using the Timers

Check the temperature setting before using the timers.

Timer 1 One or both timers can be used. To allow the appliance to operate during the pre-programmed times press the TIMER 1 and/or TIMER 2 button. The display will briefly show the "on" and "off" times for each timer.

Timer 2 If the current time is outside of the programmed times then the appliance will

go into standby mode and the Timer Indicator will glow green.

To turn the timers off press the appropriate timer button again. If the appliance was on, it will return to standby mode and the Operation Indicator will glow green.

The Timer Indicator will not display if both timers are turned off.

Using the Override

Override This function is used to manually override Timer programmed operation.

Override
AM 6:00
Time
Set
Timer 1 Set ON

If the appliance is operating in Timer mode then pressing OVERRIDE will turn the it OFF and cause the word "Override" to be displayed for 10 seconds.

If the appliance is in Timer mode but outside of the programmed time for operation then pressing OVERRIDE will turn the appliance ON.

OVERRIDE does not change the programmed times.

Pre-heat

The appliance may operate up to one hour before the programmed ON time in order to allow the room to reach the desired temperature by the programmed ON time. The pre-heat time (how long before the programmed ON time that the appliance will provide heat) is determined by the difference between the temperature setting and the room temperature one hour before the programmed ON time.

Care and Maintenance

Maintenance

Repairs should be performed by a qualified technician. The appliance should be serviced annually by a qualified service technician.

More frequent cleaning may be required if there is excessive lint from carpeting, etc. It is imperative that control components and circulating air passage ways are kept clean.

When the appliance has cooled, remove the front panel, control panel, and ceramic logs. Refer to the sections Cleaning Components and Final Assembly for disassembly instructions. Vacuum, use compressed air, and vacuum again to remove dirt from compartments, and convert

Any filter or guard removed from the appliance must be replaced in the appliance.

The vent should be inspected for damage.

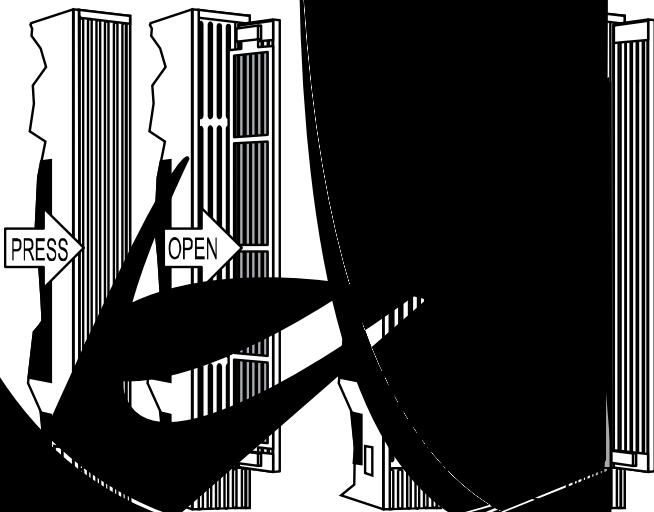
Motors are permanently lubricated and do not require periodic lubrication. Keep them free of oil and dirt by cleaning annually.

Verify proper operation after

Filters

This appliance has two filter louver doors on either side of the burner assembly, hinged to allow access to the filters.

Dirty filters reduce the air



ability to produce heat. The filters should be cleaned once a week during the heating season. If the filters become blocked the blockage indicator will flash red. The filters should be cleaned whenever the blockage indicator flashes red. If not cleaned the appliance may turn off and display fault code 14 (overheat) on the control panel display.

To clean the filters, the appliance should be OFF and cool. Open the louver by pushing inward and releasing. Slide the filter upwards until the bottom tab clears the lower retaining slot. Then slide the filter down and away to remove. Clean the filter using a soft dry cloth or vacuum.

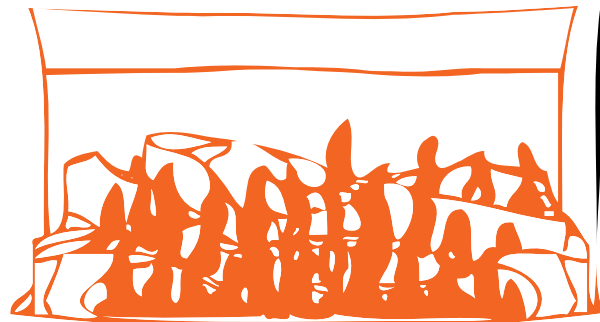
Visual Inspection of Flame

Check that the pilot and burner flames are operating normally.

If flames appear either very short or very long and streaky or are producing smoke or soot deposits then there may be a problem with the appliance or gas supply.

The appliance should not be used if you suspect there is a problem. Call a qualified service technician to inspect the appliance.

The burners are designed to produce two rows of yellow flame but not smoke or soot.



NORMAL



ABNORMAL

Care and Maintenance

Over time combustion products can build up on the combustion chamber. If this occurs, the appliance may permanently be damaged. If this occurs, this glass panel must be removed, cleaned, and installed by a qualified technician.

WARNING

Do not clean the glass panel with

Do not clean the glass panel with

Troubleshooting

Problem	Possible Solutions or Explanation
No display on remote	Replace the remote control batteries.
No ignition or no panel indications	Ensure the appliance has power. Press the control panel ON/OFF button.
Burners fail to ignite	Air may need to be purged from the gas line. Several ignition attempts may purge the gas line. Turn on the gas supply.
Combustion stops during operation	Remove any obstructions from the louvers. Turn on the gas supply.
Smell of gas	Follow the instructions in the warning block on the front of this manual.
Remote control does not work	Ensure the appliance has power. Press the control panel ON/OFF button. Press the LOCK button for 3 seconds if LOCK is displayed. Press the STANDBY/ON button.
Warm air does not start immediately after burner lights	The appliance will wait until the heat exchanger is warmed up before discharging air. This ensures that any discharge air will be warm and not cold.
Smoke or odors are produced when first operated	This is caused by grease or oil on the heat exchanger or by dust and should stop after a short time.
Clicking noises at ignition or shutdown	Internal components are cooling (contracting) or heating up (expanding) at different rates.
Clunking noise when the thermostat operates	This is the sound of the solenoid gas valves opening and closing to regulate the gas flow.
Convection fan continues to run after appliance is turned OFF	The fan will continue to run to prevent internal components from over heating.
Steam is discharged from the flue outside	Steam discharge is normal.
Does not start while in STANDBY and the temperature is below the setting	Timers must be turned off (or press OVERRIDE) for manual operation.
Timers do not turn the appliance ON or OFF	Timers may be turned off or incorrectly programmed.
Timer turns the appliance ON briefly and then the appliance turns OFF before the OFF time setting.	The room temperature may be higher than the temperature setting.

Fault Codes

If there is a malfunction the appliance may shut down as a safety precaution and display a fault code to assist in diagnosing the problem. The fault code will flash in the Fault Code Display window and the Operation Indicator will flash green.

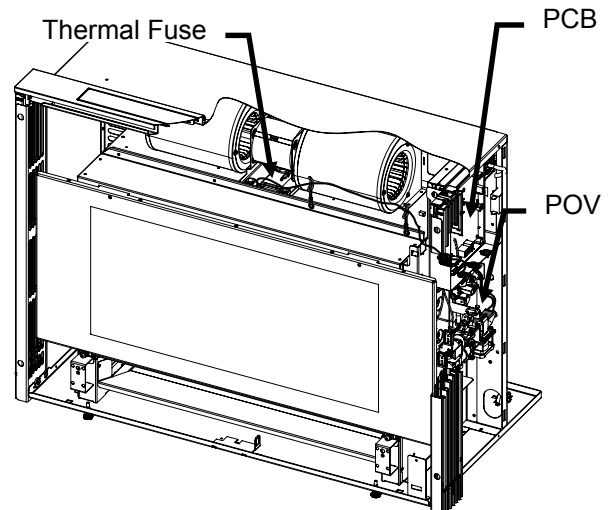
Code	Fault	Remedy
11	Ignition failure	Confirm that the gas supply is turned on. Switch appliance to STANDBY and then ON again. If ignition failure continues then a Service call is required.
12	Incomplete combustion	Service call
14	Filter blocked or Overheat	Clean filters If overheating continues then a service call is required to determine the cause. Thermal fuse; a qualified service technician must replace the fuse following the procedure below.
16	Room overheat	The temperature has reached 104° F (40° C). Turn the appliance off or engage the AUTO OFF function to prevent the display of flame. See AUTO OFF section.
31	Room temperature sensor faulty	Service call
32	Overheat temperature sensor faulty	Service call
53	Spark sensor faulty	Service call
61	Fan motor faulty	Service call
71	Solenoids faulty	Service call
72	Flame detection circuit fault	Service call
73	Communication fault	Service call
99	Flue block	Check around flue terminal for obstructions to air flow

Replacement of Thermal Fuse

The cause of the overheat condition needs to be determined and remedied before replacing the thermal fuse.

A qualified service technician needs to:

1. Disconnect the appliance from the power supply.
2. Remove the right hand side panel to allow access to the gas control and main PCB.
3. Unplug the thermal fuse harness (including the control plug for the POV on the gas control) and unscrew thermal fuse.
4. Re-assemble with replacement thermal fuse.



Installation Instructions

General Instructions

WARNING

Do not use substitute materials.

Use only parts certified with the appliance.

A qualified service technician should install the appliance and inspect it before use.

The installation must conform with local codes or, in the absence of local codes, with the *National Fuel Gas Code, ANSI Z223.1/NFPA 54*, or the *Natural Gas and Propane Installation Code, CSA B149.1*.

A manufactured home (USA only) must conform with the *Manufactured Home Construction and Safety Standard, Title 24 CFR, Part 3280*, or, when such a standard is not applicable, the standard for *Manufactured Home Installations, ANSI/NCSCS A225.1*, or the standard for *Gas Equipped Recreational Vehicles and Mobile Housing, CSA Z240.4*.

The appliance, when installed, must be electrically grounded in accordance with local codes or, in the absence of local codes, with the *National Electrical Code, ANSI/NFPA 70*, or the *Canadian Electrical Code, CSA C22.1*.

Two 1/8 in test plugs are provided for testing of manifold differential pressure.

The appliance must not be connected to a chimney flue serving a separate solid-fuel burning appliance.

The appliance and its appliance main gas valve must be disconnected from the gas supply piping system during any pressure testing of that system at test pressures in excess of 1/2 psi (3.5 kPa).

The appliance must be isolated from the gas supply piping system by closing its equipment shutoff valve during any pressure testing of the gas supply piping system at test pressures equal to or less than 1/2 psi (3.5 kPa).

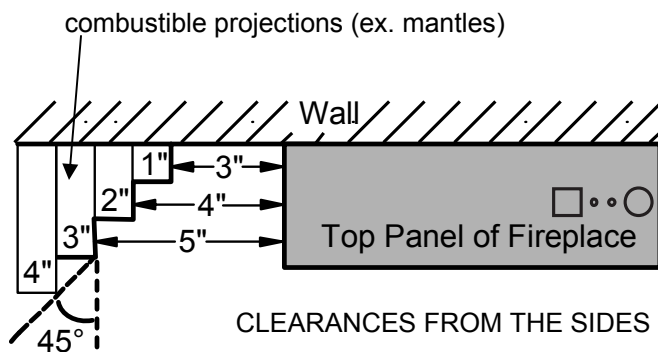
If the flooring is carpet, tile, or other combustible material other than wood, then the appliance must be installed on a metal or wood panel extending the full width and depth of the appliance.

This appliance discharges a large volume of warm air next to the floor. Any particles in the air such as cigarette smoke could cause discoloration in carpet. The warm air flow could discolor nylon carpets containing dyes or vinyl surfaces. To prevent discoloration of the floor covering place a mat under the appliance which extends about 30 inches in front of it.

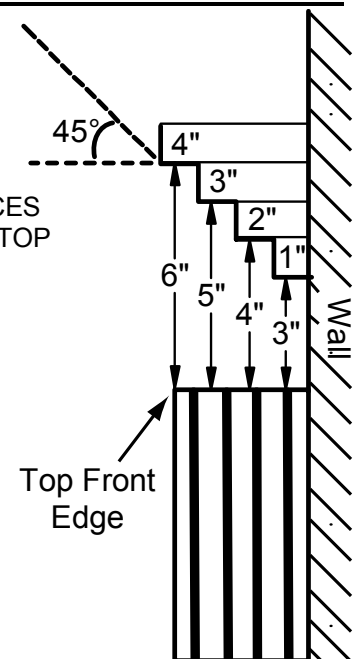
Refer to the conversion manual for high altitude installations.

Clearances to Combustibles

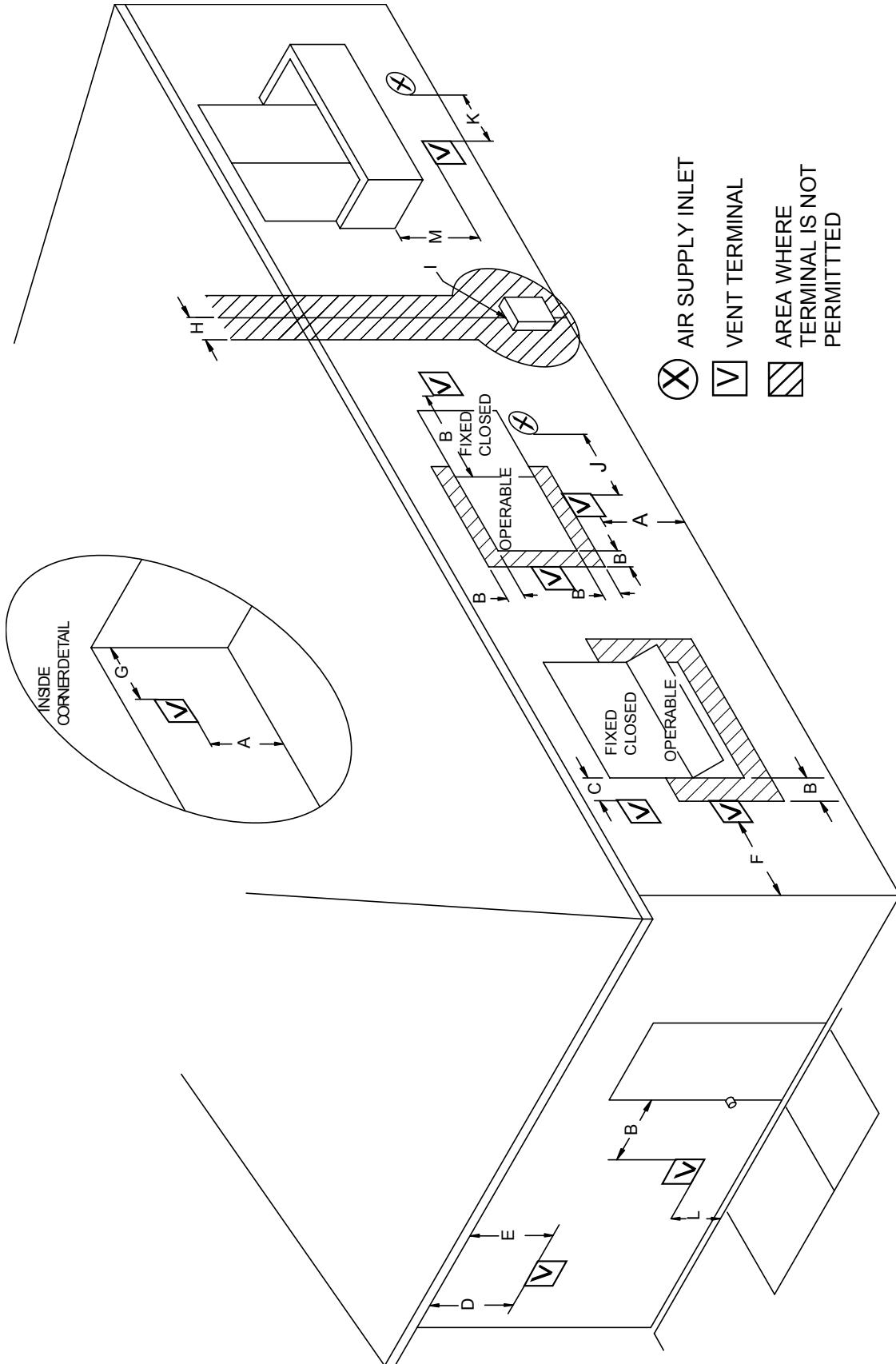
The clearances to combustibles as stated on the rating plate and as shown in the figures must be followed. Also refer to the Safety Behaviors and Practices section.



CLEARANCES FROM THE TOP



Flue Terminal Clearances



Flue Terminal Clearances

- ① A vent shall not terminate directly above a sidewalk or paved driveway that is located between two single family dwellings and serves both dwellings. Permitted only if veranda, porch, deck, or balcony is fully open on a minimum of two sides beneath the floor. For clearances not specified in ANS/ Z223.1/NFPA 54 or CSA B149.1, clearances are in accordance with local installation codes and the requirements of the gas supplier.
- ②
- *

Ref	Description	Canadian Installations	US Installations
A	Clearance above grade, veranda, porch, deck, or balcony	12 inches (30 cm)	12 inches (30 cm)
B	Clearance to window or door that may be opened	12 inches (30 cm)	9 inches (23 cm)
C	Clearance to permanently closed window	*	*
D	Vertical clearance to ventilated soffit, located above the terminal within a horizontal distance of 2 feet (61 cm) from the center line of the terminal	*	*
E	Clearance to unventilated soffit	*	*
F	Clearance to outside corner	*	*
G	Clearance to inside corner	*	*
H	Clearance to each side of center line extended above meter/regulator assembly	3 feet (91 cm) within a height 15 feet (4.57 m) above the meter/regulator assembly	*
I	Clearance to service regulator vent outlet	3 feet (91 cm)	*
J	Clearance to nonmechanical air supply inlet to building or the combustion air inlet to any other appliance	12 inches (30 cm)	9 inches (23 cm)
K	Clearance to a mechanical air supply inlet	6 feet (1.83 m)	3 feet (91 cm) above if within 10 feet (3 m) horizontally
L	Clearance above paved sidewalk or paved driveway located on public property	7 feet (2.13 m) ①	*
M	Clearance under veranda, porch, deck, or balcony	12 inches (30 cm) ②	*

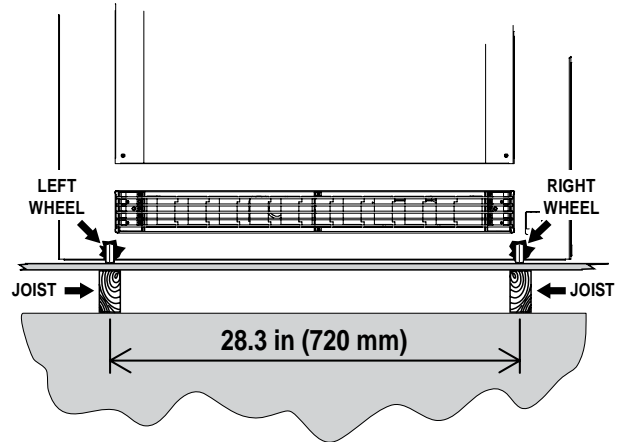
Location

This appliance has a cool outer casing that allows it to be installed in a recessed application consisting of combustible materials such as wood and plaster.

The location needs to have a level surface that allows the appliance to be rolled in or out of the enclosure.

If the surface is elevated and there is not enough room for it to be rolled out then a base and joists may be used as shown.

The appliance will have to be rolled out for maintenance. After installation do not place any permanent fixtures that would prevent pulling the appliance out for access. To pull the appliance completely out of the enclosure a minimum of 15 inches from the front panel would be needed.

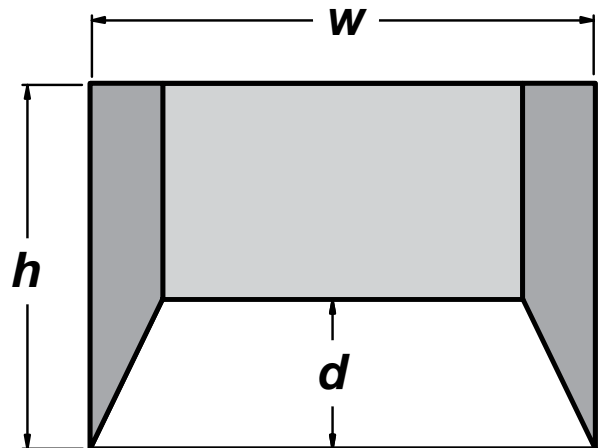


Do not vent the exhaust into 'natural draft' flue pipes or a chimney flue.

The enclosure must be within these limits:

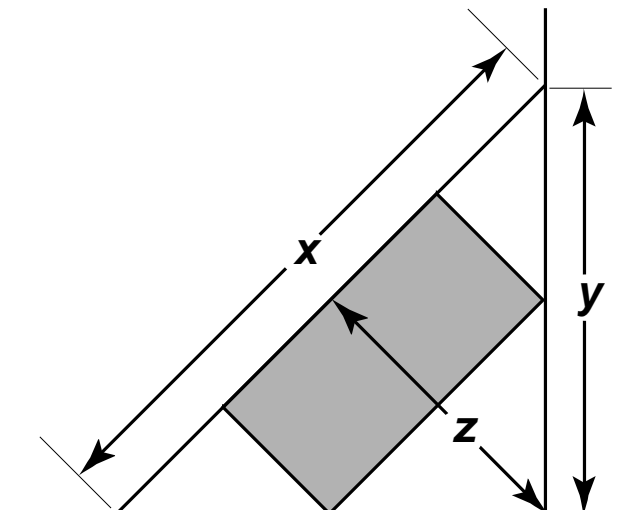
Enclosure Dimensions	
Width (w)	33.8 in (860 mm)
Height (h)	26.0 - 26.2 in (660-665 mm)
Depth (d)	15.0 - 16.9 in (380-430 mm)

The front panel extends below the surface on which the appliance rests. Ensure that clearance is maintained in order to install the front panel.



For installation in the corner of the room refer to the diagram at the right and the table below for dimensions. These dimensions are the minimum required if using the minimum width, height, and depth dimensions above.

Enclosure Dimensions in a Corner	
x	63.8 in (1620 mm)
y	45.1 in (1146 mm)
z	31.9 in (810 mm)

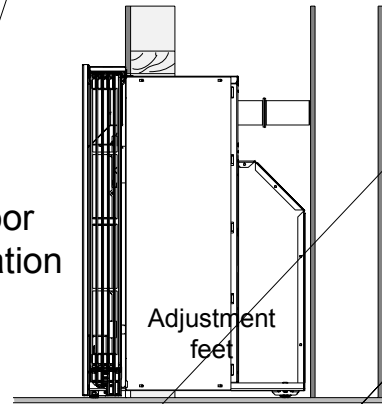


Location

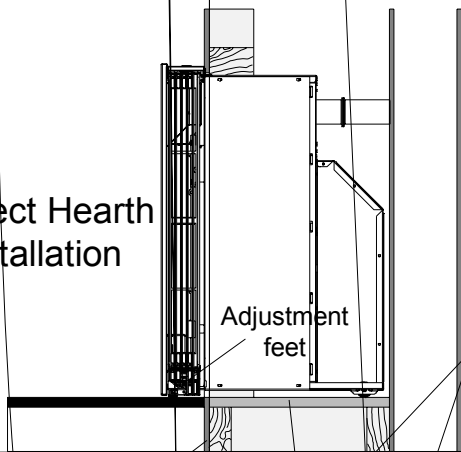
Use the adjustment feet so that the appliance is level and not tilted. They are initially installed immediately behind the side louvers but can be moved forward for better access in hearth or floor installations.

The hearth should not block the appliance.

Correct Floor Level Installation

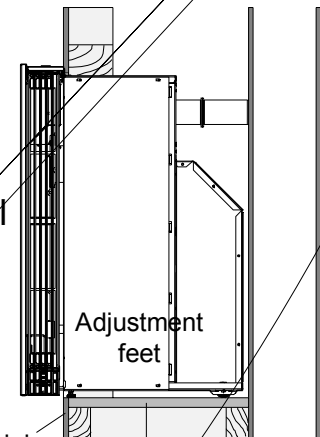


Correct Hearth Installation



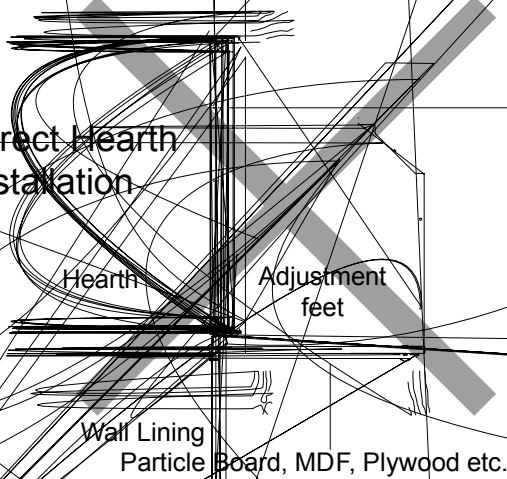
Wall Lining
Particle Board, MDF, Plywood etc.

Correct In-wall Installation

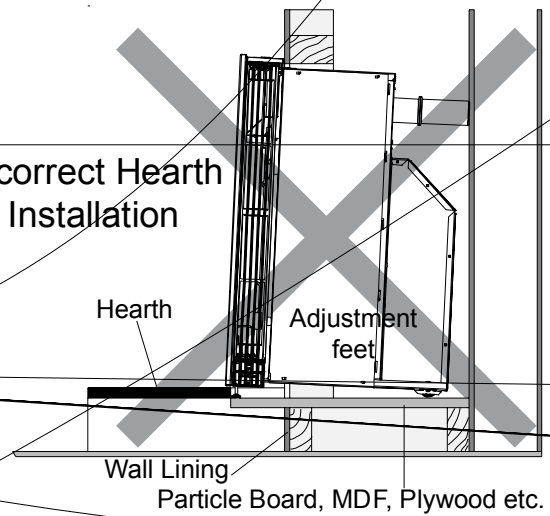


Wall Lining
Particle Board, MDF, Plywood etc.

Incorrect Hearth Installation



Incorrect Hearth Installation



Drilling Flue and Gas Supply Holes

Check for water and gas pipes as well as electric cables. Use the template supplied to mark the wall locations for the flue manifold and the gas supply. Drill the flue hole using a 3 1/2 inch (90 mm) drill.

For weatherboard walls, drill through the center of the weatherboard from the outside first and then through the plasterboard.

Flue Manifold Installation

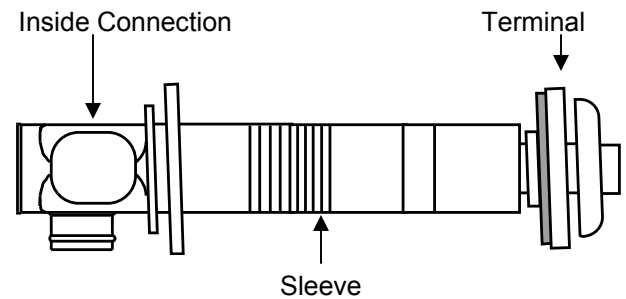
1. Disassemble the Flue Manifold

The flue consists of 3 parts:

- sleeve
- inside connection
- terminal

Disassemble the flue manifold by first pulling out the inside connection. To remove the outer terminal pull and release the two internal ties and then pull out the outer terminal.

Clearance to combustibles for the sleeve and flanges is zero inches.



2. Assemble and Adjust the Sleeve Length

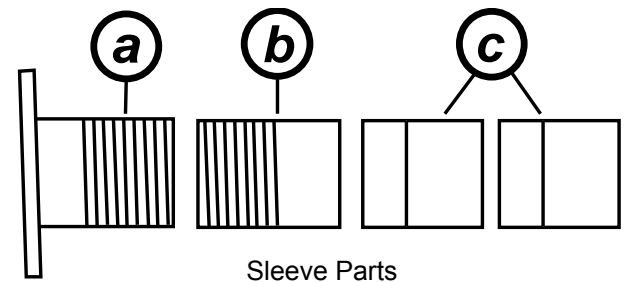
Measure wall thickness through previously drilled 3 1/2 inch (90 mm) hole.

The end of the sleeve should protrude 3/16 - 3/8 inch (5-10 mm) from the outside wall.

In the "A" vent kit there are 4 parts provided with which to assemble the sleeve. Use the table to determine which pieces to assemble.

In both the "A" and "B" vent kits, two parts are threaded for additional adjustment.

Adjust the sleeve length to wall thickness plus 3/16 - 3/8 inch (5-10 mm).



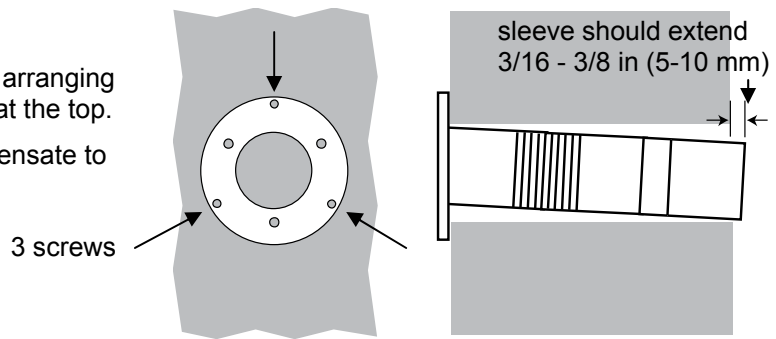
For wall thickness plus 3/16 - 3/8 in (5-10 mm)	Assemble these parts ("A" Vent Kit)
4 1/3 - 6 1/8 in (110 - 155 mm)	(a) + (b)
6 1/8 - 7 3/4 in (155 - 195 mm)	(a) + (b) + (c)
7 3/4 - 9 1/2 in (195 - 240 mm)	(a) + (b) + (c) + (c)

Flue Manifold Installation

3. Attach the sleeve

Attach to the inside wall using 3 screws arranging the flange so that the marking "TOP" is at the top.

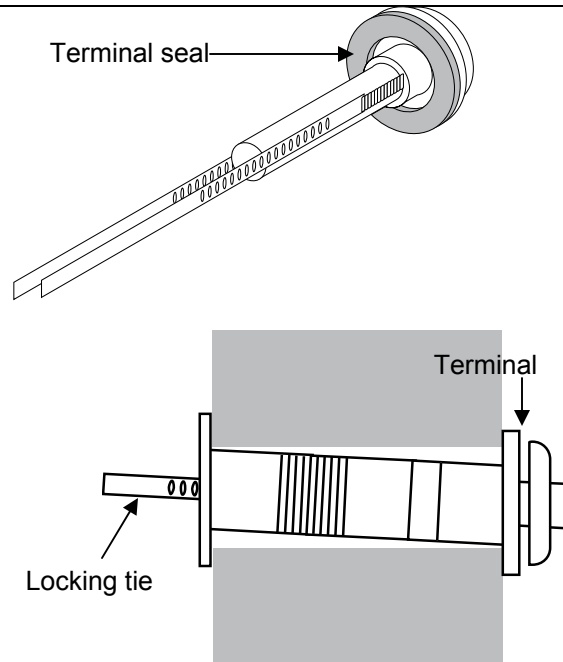
The flange is offset 2° to allow the condensate to drain to the outside.



4. Install the Terminal

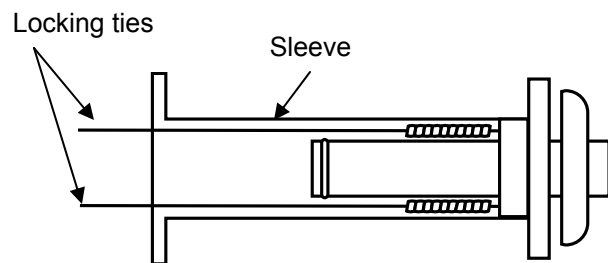
Check that the terminal seal is in place. For weatherboard or vinyl siding, add the second seal next to the terminal seal to compensate for the angle.

From the outside insert the terminal into the sleeve with the marking "TOP" at the top. The left hand side locking tie should be marked "LEFT".



5. Lock the ties

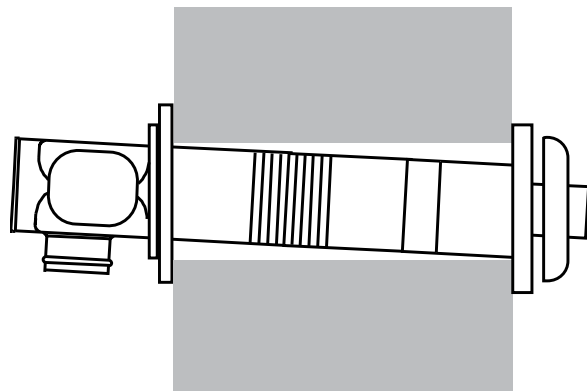
Pulling hard on the left and right hand ties, clip the ties over the notches inside the sleeve. You should be able to pull the ties 2 or 3 notches past the starting point. Cut the ties, leaving about 3/4 inch (20 mm) past the notch. Bend the ties back into the sleeve and parallel to the wall.



6. Attach Inside Connection Assembly

Push the assembly into the terminal tube.

Attach the inside connection with 3 screws. The inside connection can still be turned if necessary.



Extension Kit Installation

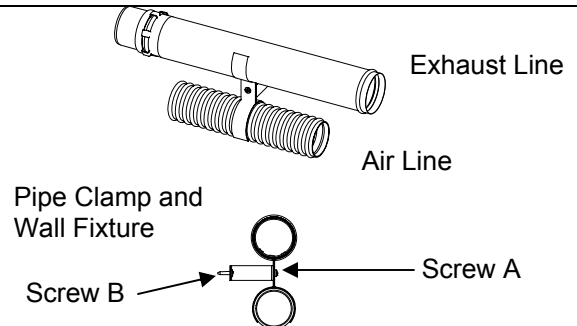
If necessary, extension kits are available to extend the exhaust line and air line between the manifold and the appliance. The maximum extension allowed is shown in the table below and is based on the number of 90° elbows used. Vertical extensions are not allowed.

	no elbows	1 elbow	2 elbows
maximum vent length	7.2 ft (2.2 m)	6.5 ft (2.0 m)	5.9 ft (1.8 m)

Clamps

Both the exhaust line and air intake hose are supported by clamps which are attached to the wall. A wall fixture can be used to offset the clamp from the wall. If the wall fixture is not used then use Screw A and the nut to attach the clamp to the wall.

The air line should always be underneath the exhaust line so that in case the air line sags it will not come into contact with the exhaust line.

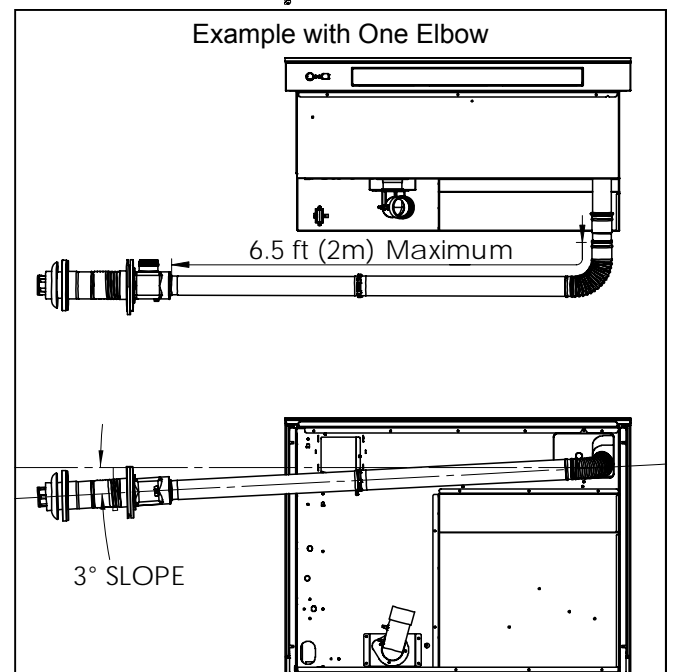
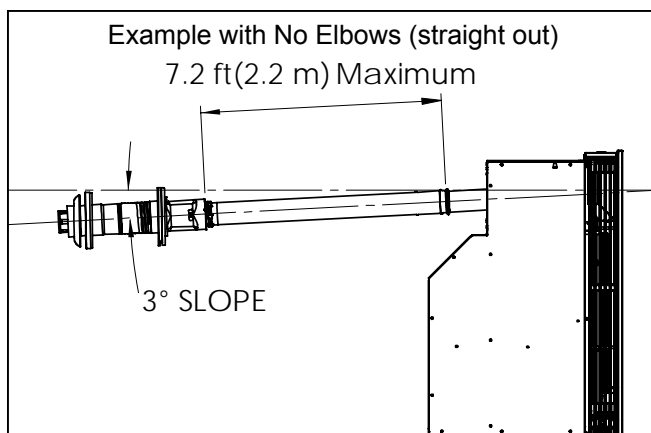
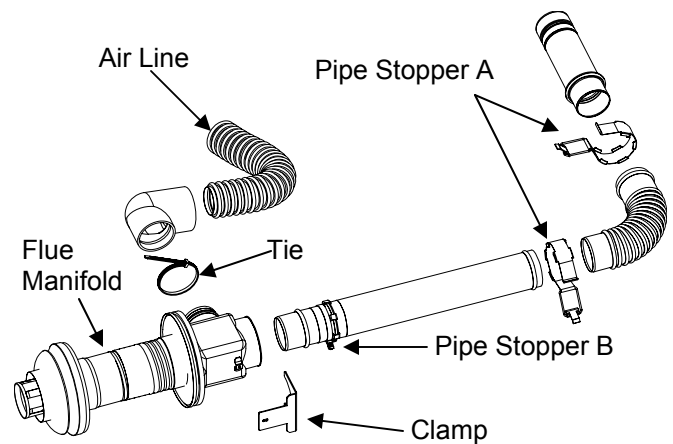


Installing the Exhaust Line

The exhaust line is connected between the joint pipe at the rear of the heater and the exhaust port on the flue pipe.

Slope the exhaust line 3° to the outside so that any condensate will drain away from the appliance. The figures below show two examples of horizontal exhaust line extensions.

1. Attach the clamp with one screw to secure the extension pipe to the flue manifold.
2. Use pipe stopper A to clamp the connections with all other components.
3. Use pipe stopper B to fix the length on the adjustable exhaust pipes. Do not extend these pipes beyond the red line.
4. Do not cut the exhaust pipe.
5. To bend the elbow, insert exhaust pipes into both ends for additional leverage. Bend to desired angle.



Extension Kit Installation

Connecting the Air Line

The air line is connected between the air connection at the rear of the heater and the air intake port on the flue manifold.

Push the air intake hose onto the flue manifold and secure with the plastic cable tie.

Join air intake hoses by screwing the hose joint half of its length into the air intake hose and then screwing another air intake hose into the hose joint.

The hose can be cut to the required length. Deburr all rough edges.

Support the air line with pipe clamps.

Clearances

exhaust pipe to combustibles	1 inch (25.4 mm)
exhaust pipe to non-combustibles	zero

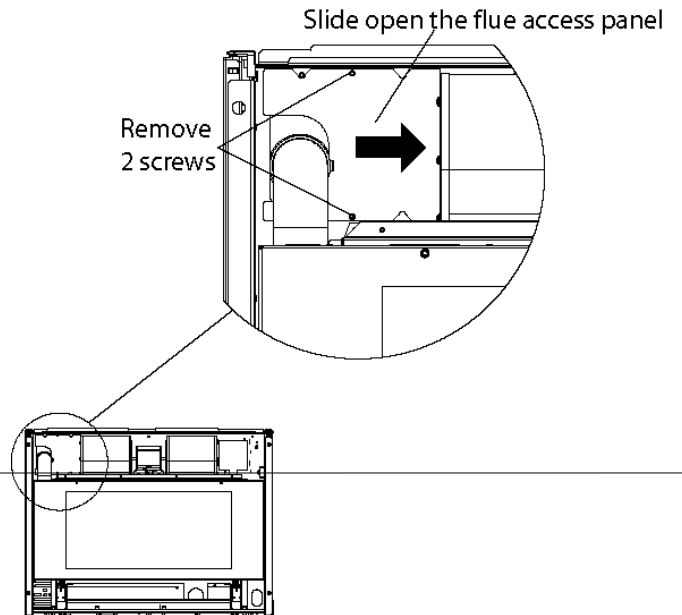
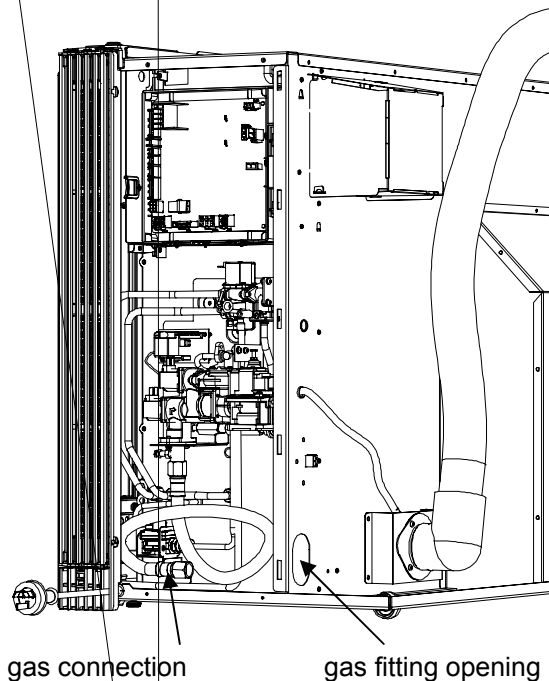
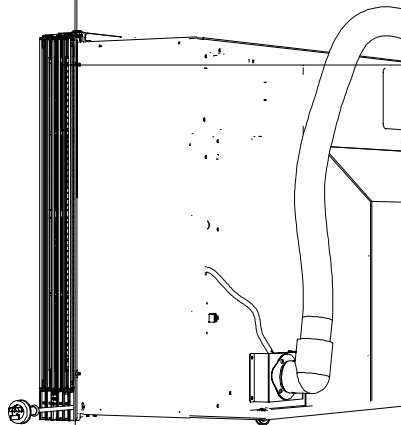
Extension Kits and Parts

Description	FOT-102	FOT-103	FOT-114	FOT-115
Exhaust Pipe (adjustable) 11.4-20.3 in (290-515 mm)	1			
Exhaust Pipe (adjustable) 21.0-39.6 in (533-1005 mm)		1	1	
Exhaust Pipe 40 in (1016 mm)			1	
Air Intake Hose 29.5 in (750 mm)	1			
Air Intake Hose 49.2 in (1.25 m)		1		
Air Intake Hose 90.6 in (2.3 m)			1	
Elbow (flexible)				1
Hose Joint	1	1	1	
Pipe Stopper A	1	1	2	2
Pipe Stopper B	1	1	1	
Top Stopper	1	1	1	
Pipe Clamp	2 sets	3 sets	4 sets	
Wall Fixture	2	3	4	
Nut	2	3	4	
Screw A	2	3	4	
Screw B	4	6	8	

Connections

1. Carefully remove the packaged ceramic logs and place in a safe location.
2. To ensure the correct positioning, terminate the gas supply so that it is 5.9 inches (150 mm) from the front of the enclosure.
3. Gain access to the gas connection by removing the right hand side access panel by unscrewing the four retaining screws. Pry the front edge of the panel open to the right and pull forwards.
4. Position the appliance in front of the enclosure so that the end of the gas supply aligns with the gas fitting opening. Connect the flexible gas connection to the gas supply.
5. Replace the right hand panel and secure with the four retaining screws.
6. Unscrew the flue access panel held by two screws located inside the top left-hand corner of the appliance. Slide this panel to the right behind the convection fan.

remove 4 screws to remove side panel



7. Attach the electrical connection and place in the junction box.
8. Leak test the gas connection using a soapy solution. Do not allow the soapy solution to contact electrical components. Remove any residue.

Connections

9. Remove clamp L and slide the vertical pipe M down into the lower elbow N to remove parts J and K. Separate J and K.

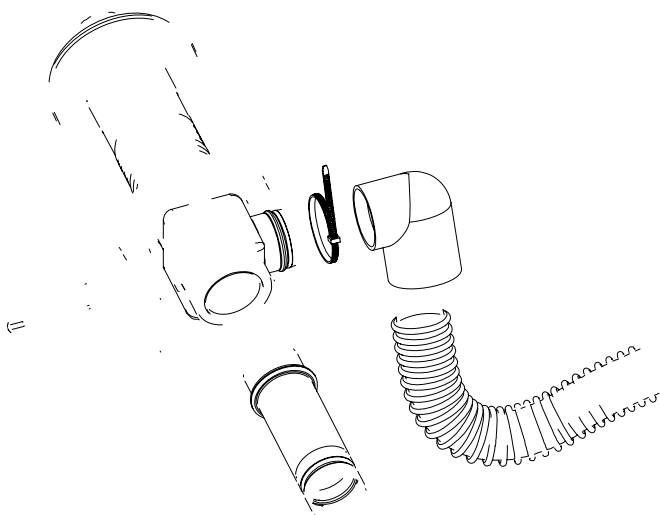
13. Slide tube M up into elbow K and clamp together with clamp L.

14. Slide the flue access panel back into position and attach with two screws.

15. Open both of the air return louvers on both sides. Secure the appliance using the four mounting points.

10. Attach pipe J to the flue manifold with clamp and screw. (If using extension pipes, attach pipe J to the extension pipe using pipe stopper A.)

11. Push the air intake line onto the flue manifold and secure with the plastic cable tie. Make sure the hose does not kink. (This may have been done when installing extension pipes.)



12. Carefully slide the appliance into the enclosure lining up the gas supply and exhaust pipe. Fit elbow K to pipe J making sure that the clip in elbow K goes beyond the groove in the pipe. The gas supply flexible hose is designed to coil inside the appliance as it is pushed into the enclosure.

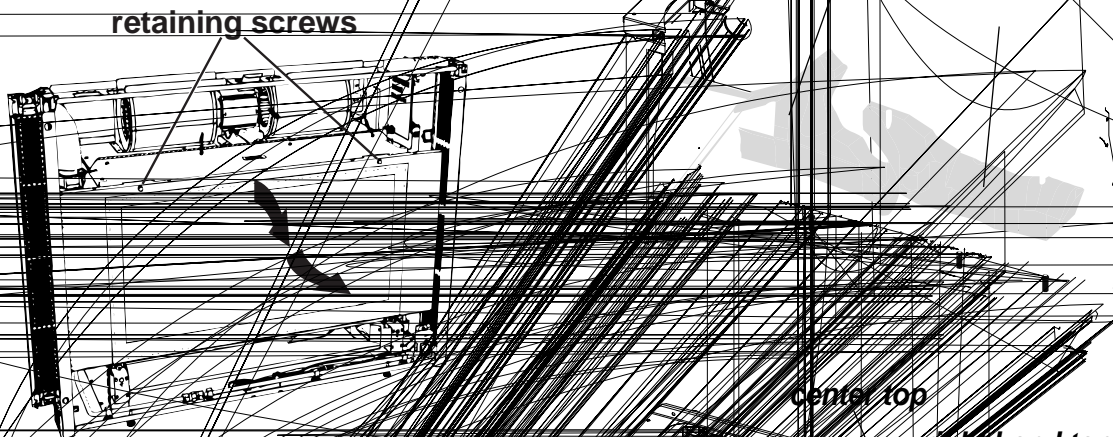
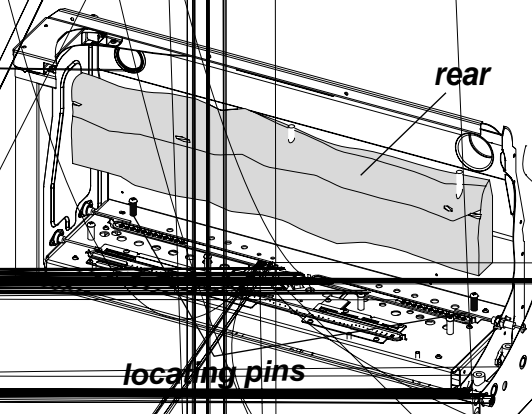
Final Assembly

Install the Logs

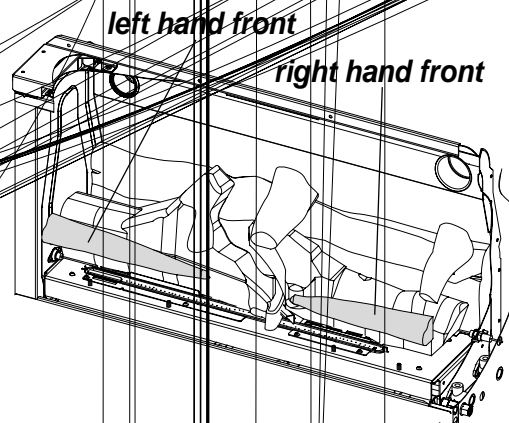
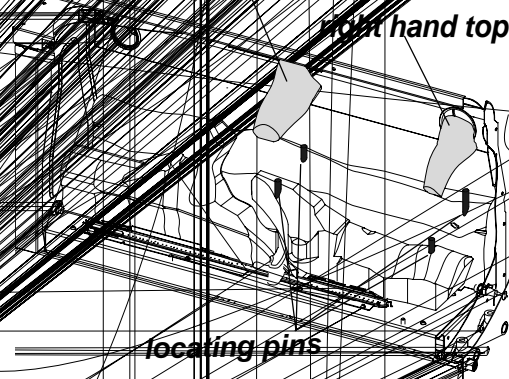
The log set consists of seven pieces as follows:

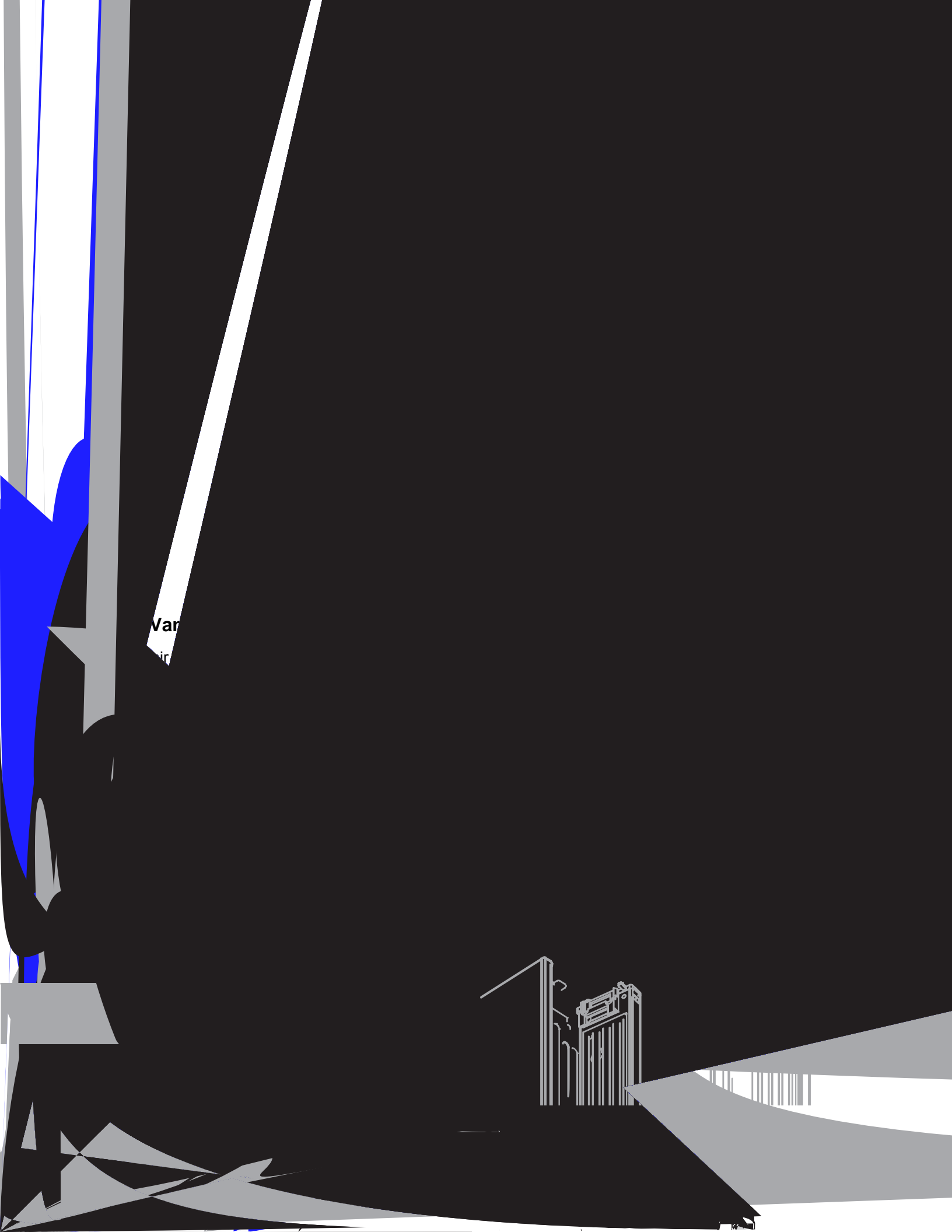
- rear
- left hand middle
- right hand middle
- center top
- right hand top
- left hand front
- right hand front

1. Remove the two retaining screws that secure the combustion chamber glass panel.
2. Rotate and lift the combustion chamber glass clear of the combustion chamber and place in a safe location.



3. Seat the rear log into the combustion chamber onto its location pins.
4. Seat the left hand middle log onto its location pins.
5. Seat the right hand middle log onto its location pins.
6. Seat the center top log onto the location pins.
7. Seat the right hand top log onto the location pins.
8. Place the left hand front log and the right hand front log on the pins.
9. Install the glass panel with two retaining screws at the top of the panel.





Var
ir

Operating Instructions

FOR YOUR SAFETY READ BEFORE OPERATING



WARNING

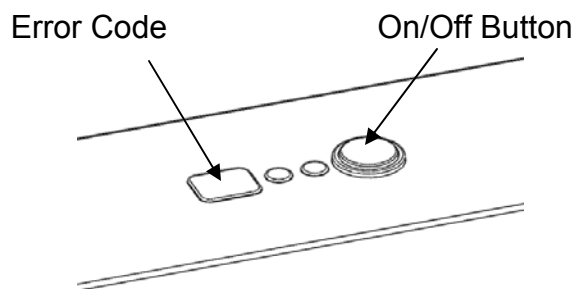
If you do not follow these instructions exactly, a fire or explosion may result causing property damage, personal injury or loss of life.

- A. This appliance is equipped with an ignition device that automatically lights the pilot. Do not try to light the burner by hand.
- B. **BEFORE OPERATING** smell all around the appliance area for gas. Be sure to smell next to the floor because some gas is heavier than air and will settle on the floor.

WHAT TO DO IF YOU SMELL GAS
 - Do not try to light any appliance.
 - Do not touch any electric switch; do not use any phone in your building.
 - Immediately call your gas supplier from a neighbor's phone. Follow the gas supplier's instructions.
- If you cannot reach your gas supplier, call the fire department.
- C. Use only your hand to push the gas control buttons. Never use tools. If the knob will not push in or turn by hand, don't try to repair it, call a qualified service technician. Force or attempted repair may result in a fire or explosion.
- D. Do not use this appliance if any part has been under water. Immediately call a qualified service technician to inspect the appliance and to replace any part of the control system and any gas control which has been under water.

OPERATING INSTRUCTIONS

1. **STOP!** Read the safety information above.



2. Wait five (5) minutes to clear out any gas. Then smell for gas, including near the floor. If you smell gas, STOP! Follow "B" in the safety information above. If you don't smell gas, go to the next step.
3. Press the On/Off button on the top panel on the appliance. This will start the ignition sequence.
4. If the appliance does not light it will automatically shut down and an error code will display. Check the this manual for error code definitions.
5. To re-attempt ignition, press the On/Off button twice.
6. To adjust the heat, press the up ▲ or down ▼ buttons on the remote control to adjust the thermostat.
7. To turn the unit off, press the On/Off button on the top control panel.
8. If the appliance will not operate, follow the instructions "To Turn Off Gas To Appliance" and call your service technician or gas supplier. See this manual for additional information.

TO TURN OFF GAS TO APPLIANCE

Turn off electric power to the appliance using the On/Off button located on the control panel. The fan will continue to operate until the appliance is cool. Once the fan has stopped operating, isolate the appliance power by unplugging it from the wall or turning off the isolating breaker switch.

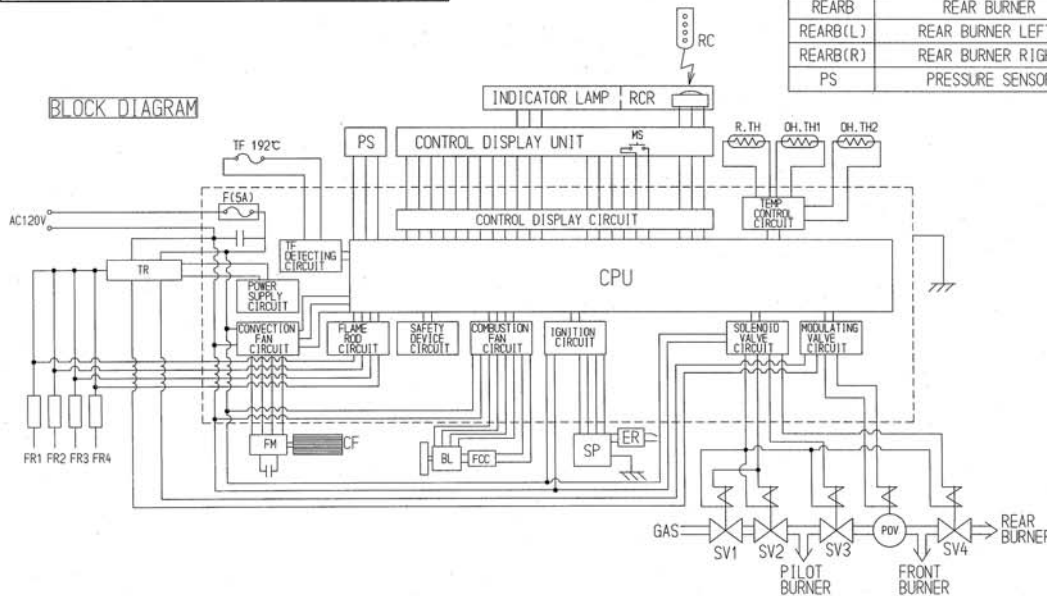
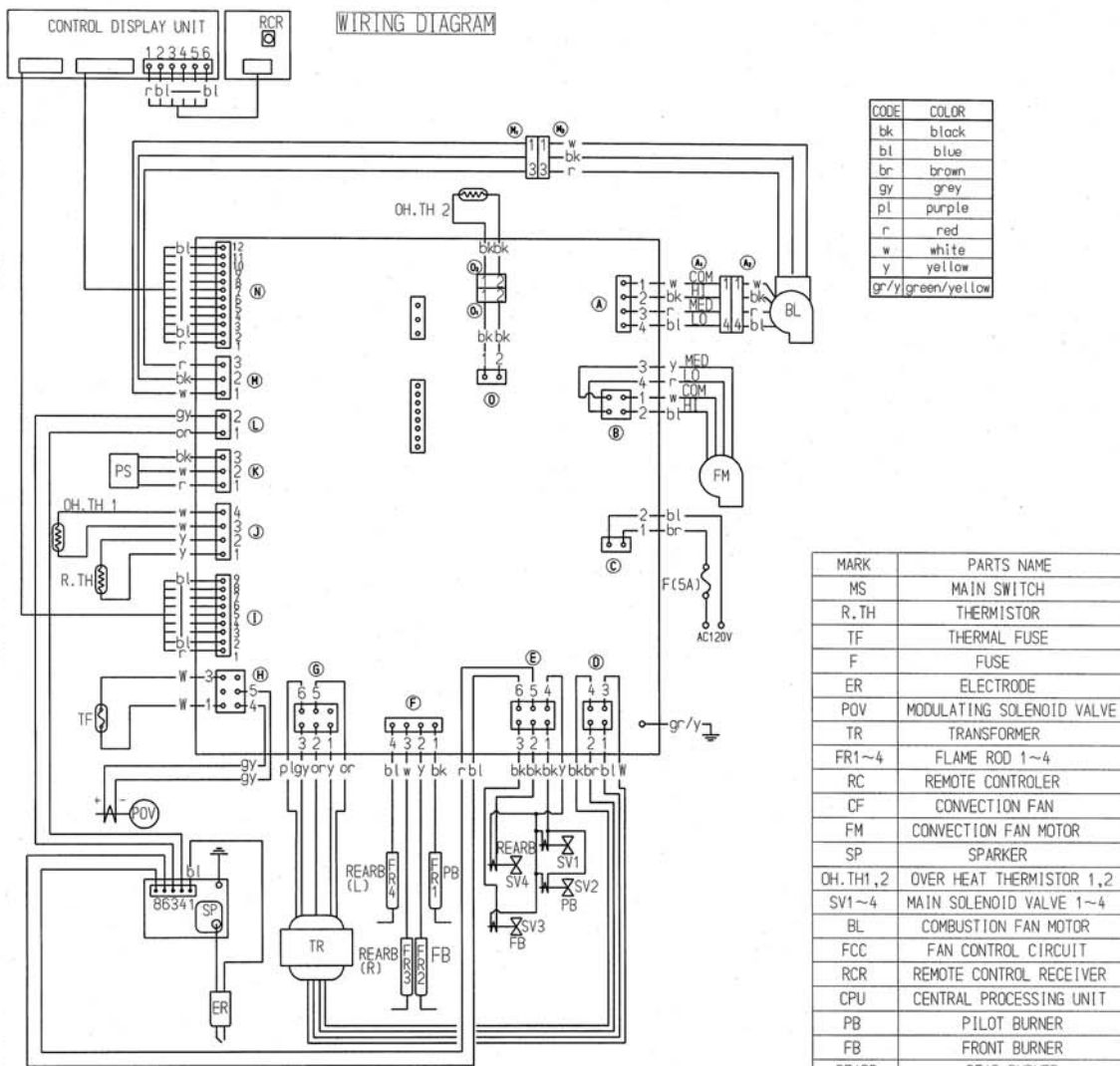
NOTE: Do not turn the appliance off by unplugging it from the wall. Keep burner and control compartment clean. See installation and operating instructions.

Wiring and Schematic Diagrams

CAUTION

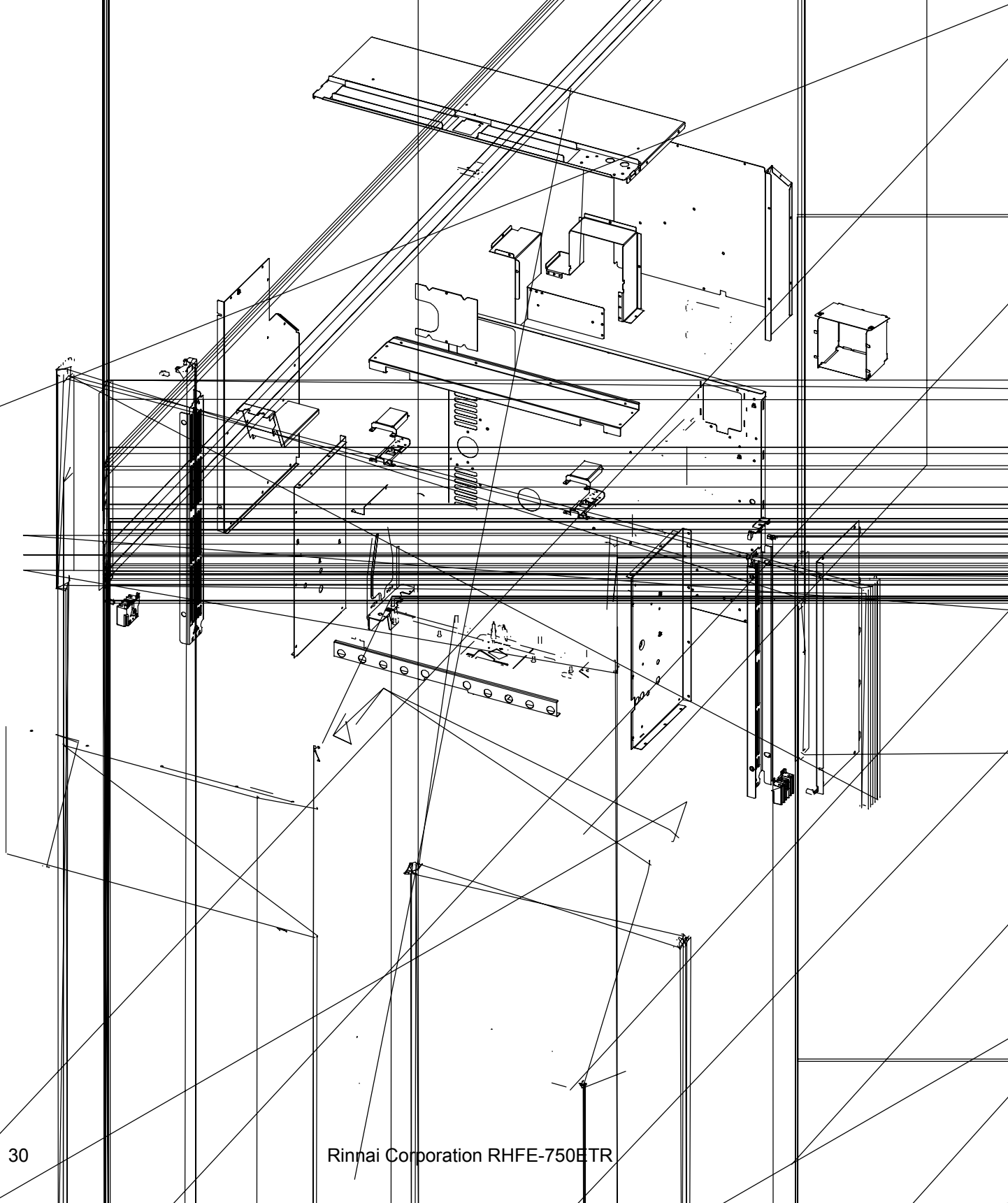
Label all wires prior to disconnection when servicing controls. Wiring errors can cause improper and dangerous operation.

If any of the original wire as supplied with the appliance must be replaced, it must be replaced with type 18 AWG wire or its equivalent.

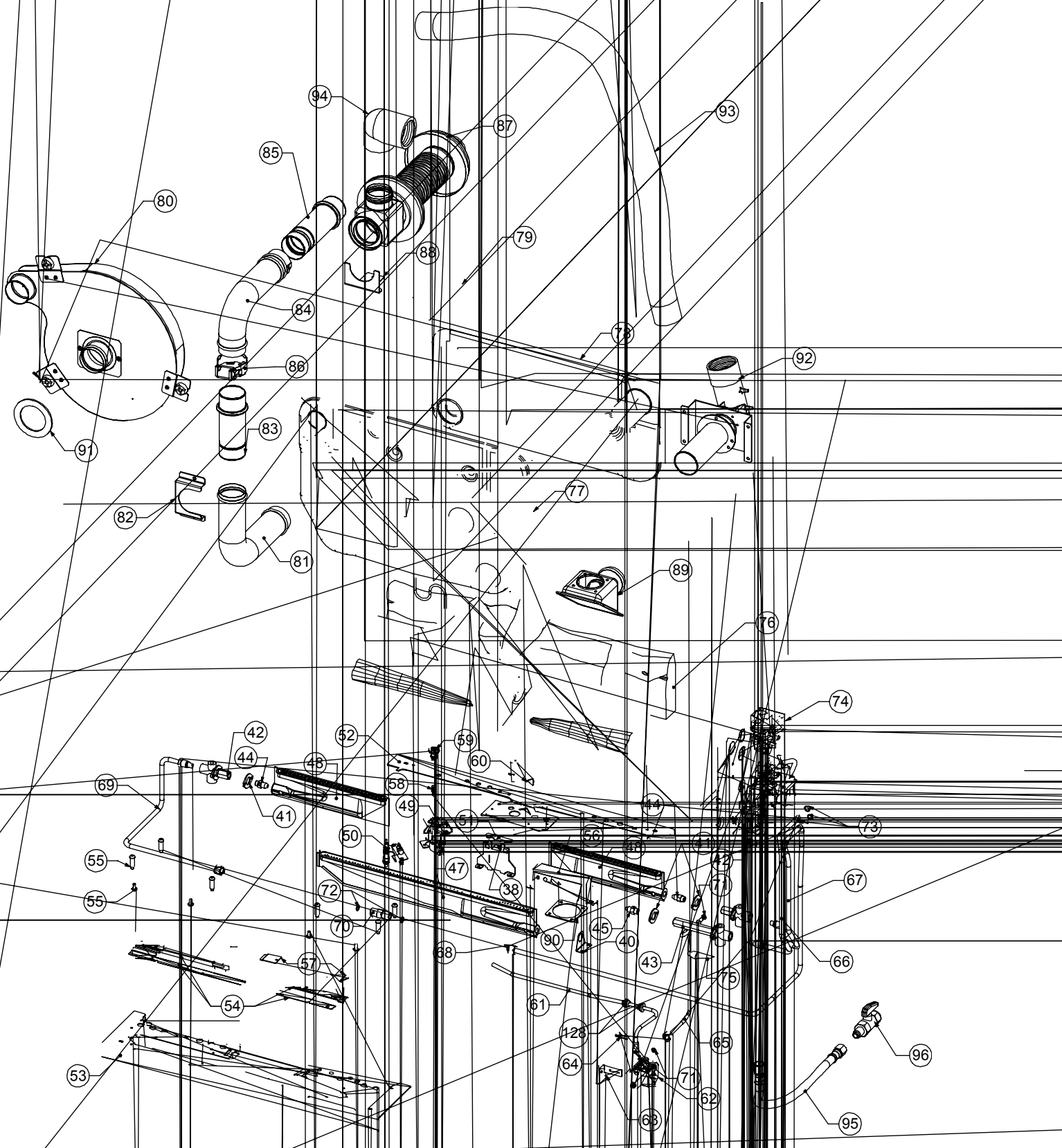


Parts List

For replacement parts call Rinnai at 1-800-621-9419.



Parts List



Parts List

Parts List

ITEM	QTY	PART NO.	DESCRIPTION	COMMENTS
1	1	10201	PANEL BASE RHFE750ETR	
2	2	10777	FOOT KIT RHFE	
3	1		BRACKET COMB CHAMBER SUPPORT RH R750	NON SERVICEABLE PART
4	1		BRACKET COMB CHAMBER SUPPORT LH R750	NON SERVICEABLE PART
5	2	10458	BRACKET FRONT MOUNT RHFE	
6	2	10751	WHEEL KIT RHFE750/IBOF	
7	2	10778	GLASS RETAINER SPRING KIT RHFE750	
8	1	10232	PANEL AIR DIVERTER RH RHFE750	
9	1	10231	PANEL AIR DIVERTER LH RHFE750	
10	1	10209Z	PANEL LOWER AIR GUIDE POWDER COAT RHFE	
11	1		COMBUSTION CHAMBER ASSEMBLY PAINTED R750	NON SERVICEABLE PART
12	2	10780	GLASS RETAINER SLIDE ASSEMBLY RHFE750	
13	2	10390	GLASS RETAINER SLIDE COVER RHFE750	
14	1	10224Z	PANEL BURNER SHIELD PAINTED R750	
15	1	10204	PANEL HEAT SHIELD REAR RHFE750	
16	1	10202	PANEL HEAT SHIELD RH RHFE750	
17	1	10203	PANEL HEAT SHIELD LH RHFE750	
18	1	10262	PANEL COMB FAN FLUE DIVIDER	
19	1	10208	PANEL FAN INFILL RHFE750	
20	1	10205	PANEL OUTER RH RHFE750ETR	
21	1	10206	PANEL OUTER LH RHFE750ETR	
22	1	10263	PANEL COMB FAN INLET "A"	
23	1	10264	PANEL REAR AIR INLET "B"	
24	1	10781	COMBUSTION FAN COVER RHFE750	
25	1	10213	PANEL COVER FLUE OUTLET	
26	1	10412	PANEL COVER TRANS RHFE	
27	1	10207	TOP PANEL RHFE ENGINE ASSEMBLY	
28	1	10296Z	LOUVRE SIDE SUPPORT RH BLACK 750	
29	1	10297Z	LOUVRE SIDE SUPPORT LH BLACK 750	
30	2	10752	LOUVRE HINGE KIT	KIT CONTAINS 1 x UPPER AND 1 x LOWER HINGE
31				
32	1	10750	DOOR LATCH KIT	CONTAINS 4 x LATCHES
33	1	10782	COMB CHAMBER GLASS ASSEMBLY RHFE750	
34	2	10783	LOUVRE SIDE ASSEMBLY RHFE750	
35	2	10784	SCREEN KIT RHFE750	
36	1	10785	WAX ELEMENT ASSEMBLY RHFE750	
37	1	10786	MAIN PCB BRACKET ASSEMBLY RHFE750	
38	1	10418	BRACKET REAR BURNER SUPPORT RHFE	
39	1	10255	BRACKET RECEIVER RHFE750	
40	1	10226	BRACKET INJECTOR SUPPORT RHFE750	
41	3	10462	PACKING INJECTOR BLOCK	
42	2	10753	INJECTOR BLOCK KIT REAR RHFE750	
43	1	10754	INJECTOR BLOCK KIT FRONT RHFE750	
44	2	7185	INJECTOR 1.45	NG **
44	2	5436	INJECTOR 0.9	LPG **
45	1	5425	INJECTOR 1.75	NG **
45	1	5548	INJECTOR 1.05	LPG **
46	1	10413	BRACKET TRANSFORMER MOUNT RHFE	
47	1	10275A	BURNER BRAY 450 NG + BUSH	NG **
47	1	10277A	BURNER BRAY 450 LP Ø5.0	LPG **

** Always refer to the data plate for correct information.

Parts List

ITEM	QTY	PART NO.	DESCRIPTION	COMMENTS
48	2	10359F	BURNER ASSEMBLY BRAY 250 Ø3.0 x 2	NG LEFT AND RIGHT **
48	1	10359B	BURNER ASSEMBLY BRAY 250 Ø6.0 x 2	LPG LEFT ONLY **
48	1	10359G	BURNER ASSEMBLY BRAY 250 Ø6.5 x 2	LPG RIGHT ONLY **
49	1	10764	PILOT ASSEMBLY RHFE750	
50	1	10772	PILOT ELECTRODE KIT RHFE750	INCLUDES DOUBLE ELECTRODE, FLAME ROD AND CLAMPS
51	1	10419	BRACKET REAR BURNER CLAMP RHFE	
52	1	10212	PANEL BURNER SURROUND REAR BLACK	
53	1	10549	PANEL BURNER SURROUND FRONT BLACK	
54	1	10760	AERATION PLATE SET RHFE750 NG US	NG **
54	1	10761	AERATION PLATE SET RHFE750 LPG US	LPG **
55	1	10757	LOG PIN SET RHFE US	6 x LONG PINS + SCREWS 4 x SHORT SCREWS
56	1	10215	PANEL AIR INLET COVER RHFE750	
57	2	10211	BRACKET BURNER EXP PLATE RHFE750	
58	1	7795	INJECTOR NG 62	NG **
58	1	7873	INJECTOR NG 35	LPG **
59	1	10272	PILOT CONVERTIBLE HOOD 3 FLAME	
60	1	10425	BRACKET CROSS LIGHTING RHFE NG	NG **
60	1	10426	BRACKET CROSS LIGHTING RHFE LPG	LPG **
61	1	10288	GAS SUPPLY TUBE PILOT B	
62	1	10787	REGULATOR ASSEMBLY RHFE750 7~13 mbar US	NG **
62	1	10788	REGULATOR ASSEMBLY RHFE750 15~25 mbar US	LPG **
63	1	10267	BRACKET REGULATOR MOUNT RHFE750	
64	1	6313	GAS TUBE RETAINER	
65	1	10287	GAS SUPPLY TUBE ASSEMBLY PILOT A	
66	1	10248	GAS SUPPLY TUBE FRONT RHFE750	
67	1	10247	GAS SUPPLY TUBE RR RHFE750	
68	1	10249A	GAS SUPPLY TUBE ASSEMBLY RL RH RHFE	
69	1	10249B	GAS SUPPLY TUBE ASSEMBLY RL LH R750	
70	1	10520	JOINER 8MM	
71	1	10756	O-RING KIT RHFE750	KIT INCLUDES 8 ASSORTED ORINGS AND INSTRUCTION SHEET
72				
73				
74	1	10774	GAS CON SUB ASSEMBLY RHFE750ETR	INCLUDES WIRING HARNESS
75	1	10518	TEST POINT CC US RHFE750ETR	
76	1	10355	US LOG SET NZ/AU RHFE750ETR US	
77	1		FRONT HEAT EXCHANGER ASSEMBLY	NON SERVICEABLE PART
78	1		HEAT EXCHANGER REAR RHFE750	NON SERVICEABLE PART
79	1	10227	BRACKET HEAT EXCHANGER TOP R750	
80	1	10794	COMBUSTION FAN ASSEMBLY RHFE750 US	INCLUDES THERMISTOR (134)
81	1	10341	TUBE COMB EXHAUST LOWER RHFE	
82	1	10345	BRACKET EXHAUST TUBE RHFE	
83	1	4326	EXHAUST AIR SIDE	
84	1	10279	EXHAUST ELBOW RHFE750ETR	
85	1	10270	EXHAUST STRAIGHT RHFE750ETR	
86	1	10478	CLAMP FLUE 50MM	
87	1	10530	FLUE ASSEMBLY RHFE750ETR	
88	1	10550	BRACKET FLUE RETAINER RHFE750ETR	

** Always refer to the data plate for correct information.

Parts List

ITEM	QTY	PART NO.	DESCRIPTION	COMMENTS
89	1	10234	AIR INLET BOX FRONT RHFE750ETR	
90	1	10271	PACKING FOR AIR INLET BOX	
91	1	10278	PACKING COMB FAN RHFE750ETR	
92	1	10796	AIR INLET ASSEMBLY RHFE750 US	
93	1	10349	AIR INLET HOSE	
94	1	4328	AIR INLET ELBOW B 50x50	
95	1	10330	HOSE SS 10 530 3/8SAE RHFE750	
96	1	10567	VALVE 3/8" SAEM-FLARE 1/2"NPTF	
97	1	10797	PCB ASSEMBLY RHFE750	
98	1	10768	FLAME ROD KIT RHFE750	CONTAINS 3 x FLAME RODS
99	1	10770	FLAME ROD BRACKET KIT RHFE750	CONTAINS 3 x BRACKETS
100	1	10792	CONVECTION FAN ASSEMBLY RHFE750 US	
101	1	10769	FLAME ROD SLEEVE KIT RHFE750	CONTAINS 3 x SLEEVES
102	1	10798	RECEIVER ASSEMBLY RHFE750	
103	1	10765	CONTROL PCB KIT RHFE750	CONTAINS 4 x PCB SPACERS
104	1	10771	BODY PLUG KIT RHFE750	CONTAINS 2 x BODY PLUGS
105	1	10253	PCB DISPLAY RHFE750ETR	
106	1	10256	PRESSURE SWITCH RHFE US	
107	1	10528	TUBE SILICON BLACK 7x4x1200	
108	1	10527	TUBE SILICON CLEAR 6x3x700	
109	1	10377	ELECT JUNCTION BOX BODY R750	
110	1	7972	ELECTRICAL JUNCTION BOX COVER	
111	1	9073	SCREW M4 X 20 PAN PHIL ZINC	
112	1	9233	WASHER SPRING M4 ZP	
113	2	9186	NUT M4 ZP	
114	2	9231	WASHER FLAT M4 ZP	
115	1	10378	HARNESS FUSED POWER USA RHFE	
116	1	10281	HARNESS FLAME ROD	
117	1	10282	HARNESS THERMISTOR	
118	1	10283	HARNESS OHS THERMAL FUSE	
119	1	10284	HARNESS CONTROL PANEL	
120	1	10285	HARNESS RECEIVER	
121	1	10286	HT LEAD	
122	1	10289	HARNESS COMB FAN	
123	1	10348	HARNESS MAIN RHFE750ETR	
124	1	10480	HARNESS COMB FAN SPEED	
125	1	10539	HARNESS PRESSURE SW US	
126	1	10507	HARNESS COMB FAN THERMISTOR FLY	
127	1	10767	GROMMET KIT RHFE750	CONTAINS 4 x Ø4 AND 2 x Ø1.8 HOLED GROMMETS
128				
129	1	10776	PLASTIC CLIP KIT RHFE750	
130	1	10766	SPARKER KIT RHFE750	INCLUDES PCB SPACERS
131	1	10773	CONTROL PAN COVER KIT RHFE750	INCLUDES BUTTON
132	1	10259	TRANSFORMER US RHFE750ETR	
133	1	10563	CABLE CLAMP RHFE750 USA	
134	1	10506	HARNESS COMB FAN THERMISTOR	ALSO COMES AS PART OF COMBUSTION FAN

** Always refer to the data plate for correct information.

Consumer Support

Warranty Information

The installer is responsible for your heater's correct installation.

Please complete the information below to keep for your records:

Purchased from: _____

Address: _____ Phone: _____

Date of Purchase: _____

Model No.: _____

Serial No.: _____

Installed by: _____ Installer's License No.: _____

Address: _____ Phone: _____

Date of Installation: _____

Limited Warranty

RHFE-750ETR Direct Vent Fireplace

What is covered?

This Warranty covers any defects in materials or workmanship, subject to the terms stated below. This Warranty extends to the original purchaser and subsequent transferees, but only while the product remains at the site of the original installation. This Warranty only extends through the first installation of the product and terminates if the product is moved or reinstalled at a new location.

How long does coverage last?

All parts.....2 years from date of purchase

What will Rinnai do?

Rinnai will repair any part or component that is defective in materials or workmanship as set forth as follows. All repair parts must be genuine Rinnai parts. All repairs or replacements must be performed by an individual or servicing company that has been authorized by Rinnai.

Replacement of the product may be authorized by Rinnai only. Rinnai does not authorize any person or company to assume for it any obligation or liability in connection with the replacement of a product. If Rinnai determines that repair of a product is not possible, Rinnai will replace the product with a comparable product, at Rinnai's discretion.

Limited Warranty - continued

How do I get service?

You must contact a qualified/authorized service provider for the repair of a product under this Warranty. For the name of a qualified/authorized service provider please contact your place of purchase, visit the Rinnai website (www.rinnai.us), call Rinnai at 1-800-621-9419 or write to Rinnai at 103 International Drive, Peachtree City, Georgia 30269.

Proof of purchase is required. You may show proof of purchase with a dated sales receipt, or by completing and mailing the enclosed Registration card within 30 days of purchasing the product. Please complete the enclosed Registration card and mail it to Rinnai at the address shown on the card. Receipt of this card by Rinnai will constitute proof-of-purchase for this product. However, return of the Registration card is not necessary in order to validate this Warranty.

What is not covered?

This Warranty does not cover any failures or operating difficulties due to accident, abuse, misuse, alteration, misapplication, force majeure, improper installation, improper conversion, improper maintenance or service, or for any other causes other than defects in materials or workmanship. This Warranty does not apply to any product whose serial number or manufacture date has been defaced.

Rinnai is not liable for any special, incidental, indirect or consequential damages that may arise, including damage to person or property, loss of use, or inconvenience. Some states do not allow the exclusion or limitation of incidental or consequential damages, so the above limitation may not apply to you.

Limitation on implied warranties

Any implied warranties of merchantability and fitness arising under state law are limited in duration to the period of coverage provided by this limited Warranty, unless the period provided by state law is less. Some states do not allow limitations on how long an implied Warranty lasts, so the above limitation may not apply to you.

This Warranty gives you specific legal rights, and you may also have other rights which vary from state to state.

Notes

Notes

Ask about

WWW.RINNAI.US OR 800-621-9419

Rinnai's other fine products.

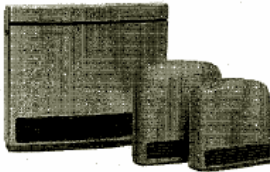
Direct Vent Heaters



Easily Installed and Safest for Any Room

- Up to 84% Efficient
- Electronic Ignition - No Pilot Light
- Propane or Natural Gas
- Earthquake Proof-Tilt Switch
- Whisper Quiet Blower
- Primary Heat Source

Vent-Free Zone Heaters



- Programmable Thermostat
- 99.9% Efficient, Vent-free
- No Visible Flame
- Oxygen Depletion Sensor
- Secondary Heat Source

Free-Standing and In-Built Fireplaces



- Standard Dimensions
- Thermostat Control
- State-of-the-Art Three Gas Burner System
- Electronic Push Button Ignition
- Remote/Keypad Control
- Programmable Timers

Infrared Heaters



- Wall-mountable or Free-standing
- Works in Power Outages
- 99.9% Energy Efficient
- Natural or Propane Gas
- ODS Safety Sensor
- Ideal for Emergency Heating

For information on Rinnai's products contact
103 International Drive
Peachtree City, GA 30269
Phone: 1-800-621-9419
Fax: 1-888-474-6624

Manufactured by
Rinnai New Zealand LTD
691 Mt Albert Road
Royal Oak, Auckland

Rinnai

15237 (Issue B)

Free Manuals Download Website

<http://myh66.com>

<http://usermanuals.us>

<http://www.somanuals.com>

<http://www.4manuals.cc>

<http://www.manual-lib.com>

<http://www.404manual.com>

<http://www.luxmanual.com>

<http://aubethermostatmanual.com>

Golf course search by state

<http://golfingnear.com>

Email search by domain

<http://emailbydomain.com>

Auto manuals search

<http://auto.somanuals.com>

TV manuals search

<http://tv.somanuals.com>