



Owner's Operation and Installation Manual for the



RHFE-750ETRA

Direct Vent Fireplace

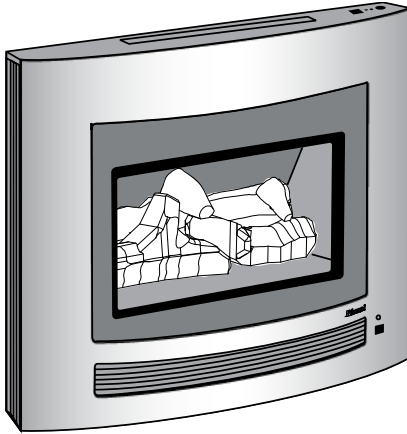
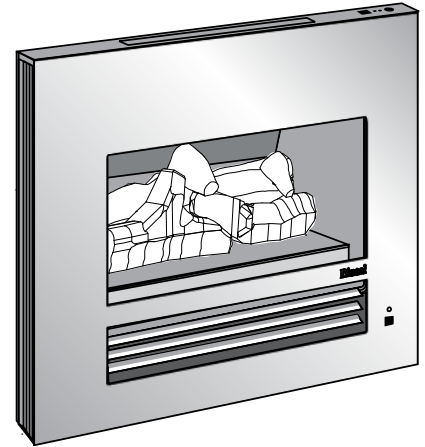


Table of Contents..... 2
 Safety Information..... 2
 Operating Instructions.... 6
 Care and Maintenance... 11
 Fault Codes..... 14
 Installation Instructions .. 15
 Consumer Support..... 38



INSTALLER: Leave this manual with the appliance.

CONSUMER: Retain this manual for future reference.

⚠ WARNING



**HOT GLASS WILL CAUSE BURNS.
DO NOT TOUCH GLASS UNTIL COOLED.
NEVER ALLOW CHILDREN TO TOUCH GLASS.**

Rinnai®

WARNING: If the information in these instructions are not followed exactly, a fire or explosion may result causing property damage, personal injury or loss of life.

- Do not store or use gasoline or other flammable vapors and liquids in the vicinity of this or any other appliance.
- **WHAT TO DO IF YOU SMELL GAS**
 - Do not try to light any appliance.
 - Do not touch any electrical switch; do not use any phone in your building.
 - Immediately call your gas supplier from a neighbor's phone. Follow the gas supplier's instructions.
 - If you cannot reach your gas supplier, call the fire department.
- Installation and service must be performed by a qualified installer, service agency or the gas supplier.

This appliance may be installed in an aftermarket, permanently located, manufactured home (USA only) or mobile home, where not prohibited by local codes.

This appliance is only for use with the type of gas indicated on the rating plate. This appliance is not convertible for use with other gases, unless a certified kit is used.

Table of Contents

Consumer Safety Information		<i>Care and Maintenance</i>	
<i>Safety Definitions</i>	2	Maintenance	11
<i>Safety Behaviors and Practices</i>	3	Filters	11
<i>Safety Features</i>	3	Visual Inspection of Flame	11
Specifications	4	Care of Exterior	12
<i>Features</i>	5	Cleaning Combustion Chamber Glass	12
<i>Dimensions</i>	5	<i>Troubleshooting</i>	13
<i>Flue Manifolds</i>	5	<i>Fault Codes</i>	14
Operating Instructions		Installation Instructions	
<i>Front Panel</i>	6	<i>General Instructions</i>	15
<i>Remote Control Features</i>	7	<i>Parts Included for Installation</i>	15
<i>Remote Control Care</i>	7	<i>Clearances to Combustibles</i>	16
<i>Sequence of Operations</i>	8	<i>Flue Terminal Clearances</i>	16, 17
<i>Basic Fireplace Operations</i>		<i>Location</i>	18, 19
Turning ON and OFF	8	<i>Venting</i>	20-24
Remote Control Operation	8	Venting with Flue Manifolds FOT-203	
Adjusting the Temperature	9	or FOT-204	20-22
Obstruction of Warm Air Discharge	9	Extended Venting	22-24
Lock Function	9	<i>Connections</i>	25, 26
Flame Function	9	<i>Final Assembly</i>	
Auto Off Function.....	9	Install the Logs	27
<i>Timers</i>		Install Condensate Tray	28
Programming the Clock and Timers....	10	Open the Air Guide Vanes	29
Using the Timers	10	Install the Front Panel	29
Using the Override.....	10	<i>Operating Instructions</i>	30
Pre-heat.....	10	<i>Wiring and Schematic Diagram</i>	31
		<i>Parts List</i>	32-37
		Consumer Support	38, 39

Consumer Safety Information

Safety Definitions



This is the safety alert symbol. This symbol alerts you to potential hazards that can kill or hurt you and others.



Indicates an imminently hazardous situation which, if not avoided, will result in death or serious injury.



Indicates a potentially hazardous situation which, if not avoided, could result in death or serious injury.



Indicates a potentially hazardous situation which, if not avoided, could result in minor or moderate injury. It may also be used to alert against unsafe practices.

Safety Behavior and Practices

WARNING

- Keep the area around the appliance clear and free from combustible materials, gasoline, and other flammable vapors and liquids.
- Do not use this appliance if any part has been under water. Immediately call a qualified service technician to inspect the appliance and to replace any part of the control system and any gas control which has been under water.
- Do not operate appliance with the glass front removed, cracked, or broken. Replacement of the glass should be performed by a licensed or qualified service technician.
- Broken or damaged components should be removed or repaired by a licensed or qualified service technician.
- Never store liquid propane containers indoors.
- Young children should be carefully supervised when they are in the same room as the appliance. Toddlers, young children and others may be susceptible to accidental contact burns. A physical barrier is recommended if there are at risk individuals in the house. To restrict access to a fireplace or stove, install an adjustable safety gate to keep toddlers, young children and other at risk individuals out of the room and away from hot surfaces.

CAUTION

- Do not block the warm air discharge. Do not allow anyone to sleep directly in front of the appliance.
- Due to high temperatures, the appliance should be located out of traffic and away from furniture and draperies.
- Children and adults should be alerted to the hazards of high surface temperature and should stay away to avoid burns or clothing ignition. Hand or body contact with the warm air discharge louvers and glass must be avoided.
- Young children should be carefully supervised when they are in the same room as the appliance.
- Clothing or other flammable material should not be placed on or near the appliance.
- Do not insert items into the louvers.
- Do not spray aerosols near the appliance while it is operating. Most aerosols contain butane gas which is flammable.
- Do not place items on or against the appliance. If there is a power failure while the appliance is ON then the overheat vent on top of the panel may open to release internal heat. An item placed on top of the appliance could prevent the overheat vent from opening resulting in damage to the appliance.
- Any safety filter or guard removed for servicing must be replaced prior to operating the appliance.

Safety Features

- **Overheat:** The appliance will automatically shut down when the appliance exceeds a predetermined temperature.
- **Flame Failure:** The appliance will automatically shut down if the burner flame is extinguished.
- **Power Failure:** The appliance will cut off the gas if it loses electrical power.
- **Power Surge Fuse:** A glass fuse power supply harness protects against overcurrent. If the fuse blows then all indicator lamps will be off.
- **Spark Detector:** The appliance automatically shuts down if there is an abnormal spark at ignition.

Specifications

Application	Vented gas fireplace heater; Inbuilt only; for residential installation, commercial setting, or manufactured home; not designed for installation in a solid-fuel burning fireplace
Certification	CSA certified according to ANSI Z21.88, CSA 2.33
General Description	Inbuilt convector, glass and steel fronted, ceramic log space heater with forced convection and power flue system
Operation	Push button electronic / remote control
Gas Connection	Flex line is 3/8 inch flare nut; ball valve is 1/2 inch female x 3/8 inch flare
Gas Control	Electronic
Burners	Flame burners
Temperature Control	Electronic thermostat
Logs	Ceramic
Ignition System	Electronic spark ignition
Flue System	The flue must be terminated to atmosphere. Only flue components listed with the appliance's certification can be used. Warranty will be voided if non-listed components are installed.
Electrical Connection	AC 120V, 60 Hz
Fan	(134 to 212 CFM)
Weight	150 lb (68 kg)
AFUE	79% NG; 81% LP (up to 83% with extended vent of 7.2 ft [2.2 m] and no elbows)
Venting	Twin flue: maximum 6.5 ft with 2 elbows Concentric: maximum 33 ft with 3 elbows

	Natural Gas	Propane Gas
Minimum supply gas pressure	4.3 in (109 mm) W.C.	9.8 in (249 mm) W.C.
Maximum supply gas pressure	10.5 in (267 mm) W.C.	13.0 in (330 mm) W.C.
Manifold test pressure	Factory Set	Factory Set
BTU/hour input	Natural Gas: Low - 11,000 BTU/h; High - 29,000 BTU/h Propane: Low - 11,000 BTU/h; High - 28,000 BTU/h	
BTU/hour output	Natural Gas: Low - 8,635 BTU/h; High - 21,900 BTU/h Propane: Low - 8,855 BTU/h; High - 21,840 BTU/h	

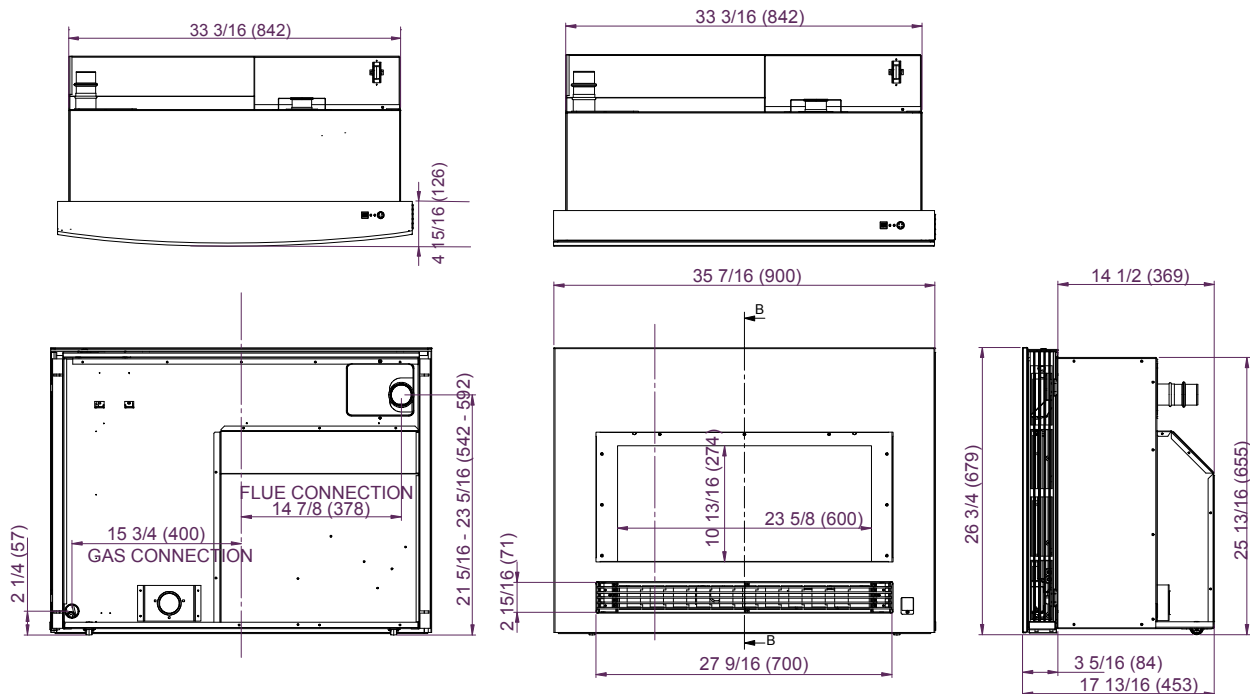
Rinnai is continually updating and improving products. Therefore, specifications are subject to change without prior notice.

Features

- **Direct Vent:** Intake air is taken from the outside and the combustion products are exhausted to the outside. Therefore the furnace has no effect on the quality of the indoor air.
- **Push Button Ignition:** Only one push of the STANDBY/ON switch is all that is required to operate the heater.
- **Lock:** The buttons on the remote control can be locked to prevent any unintended operation.
- **Dual Timer:** The appliance can be programmed to operate at two separate periods during the day.
- **Pre-heat:** The appliance will turn on before the programmed ON time and begin raising the room temperature to that of the programmed temperature by the ON time.
- **Memory:** The computer memory records preset temperatures, timer programming, and operational modes.
- **Remote Control:** The appliance has a fully functioning cordless remote control.
- **Auto-Off Function:** You have the option of having the flame display remain on or off once the room temperature reaches the temperature setting.

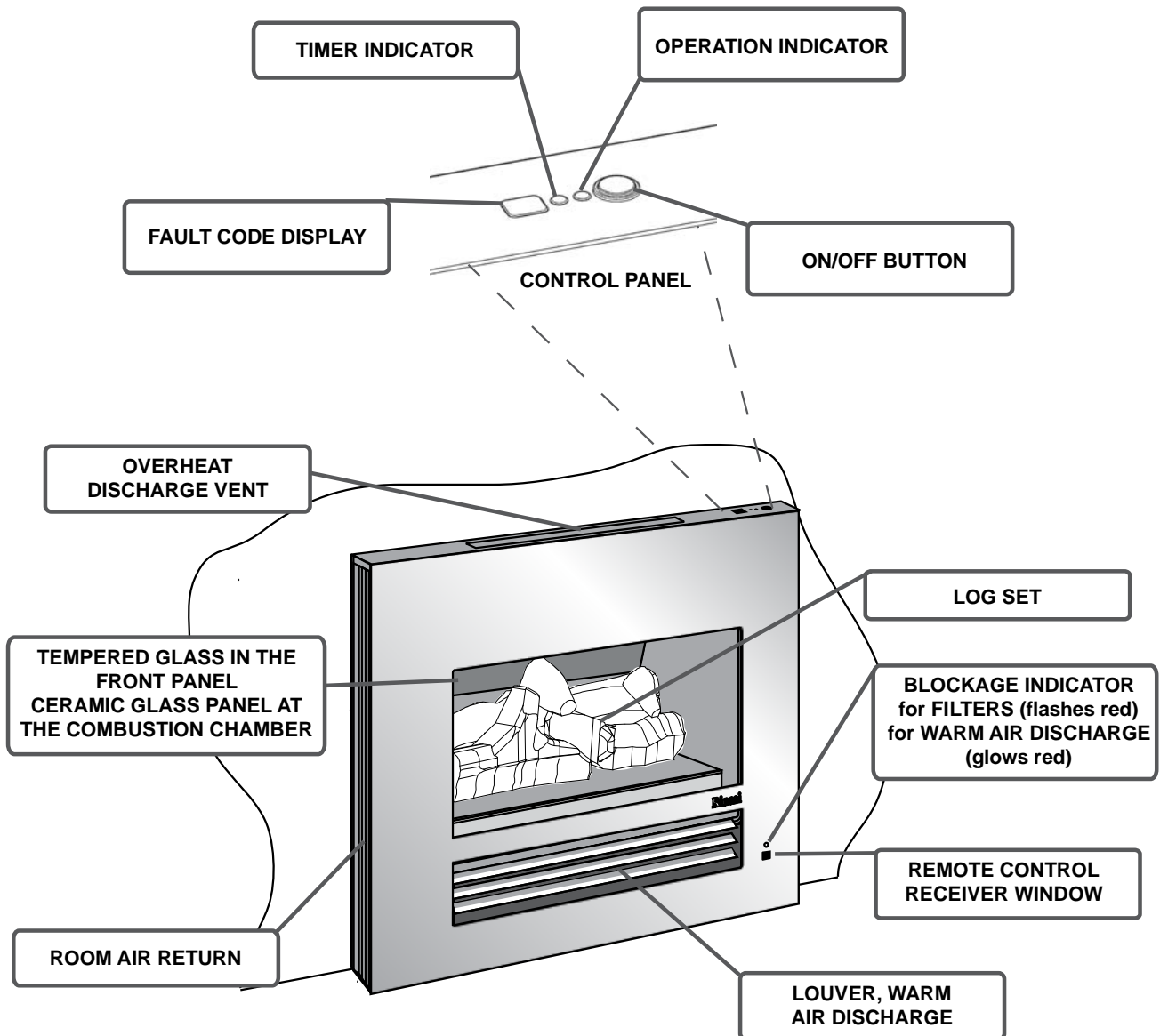
Dimensions

inches (millimeters)



Operating Instructions

Front Panel



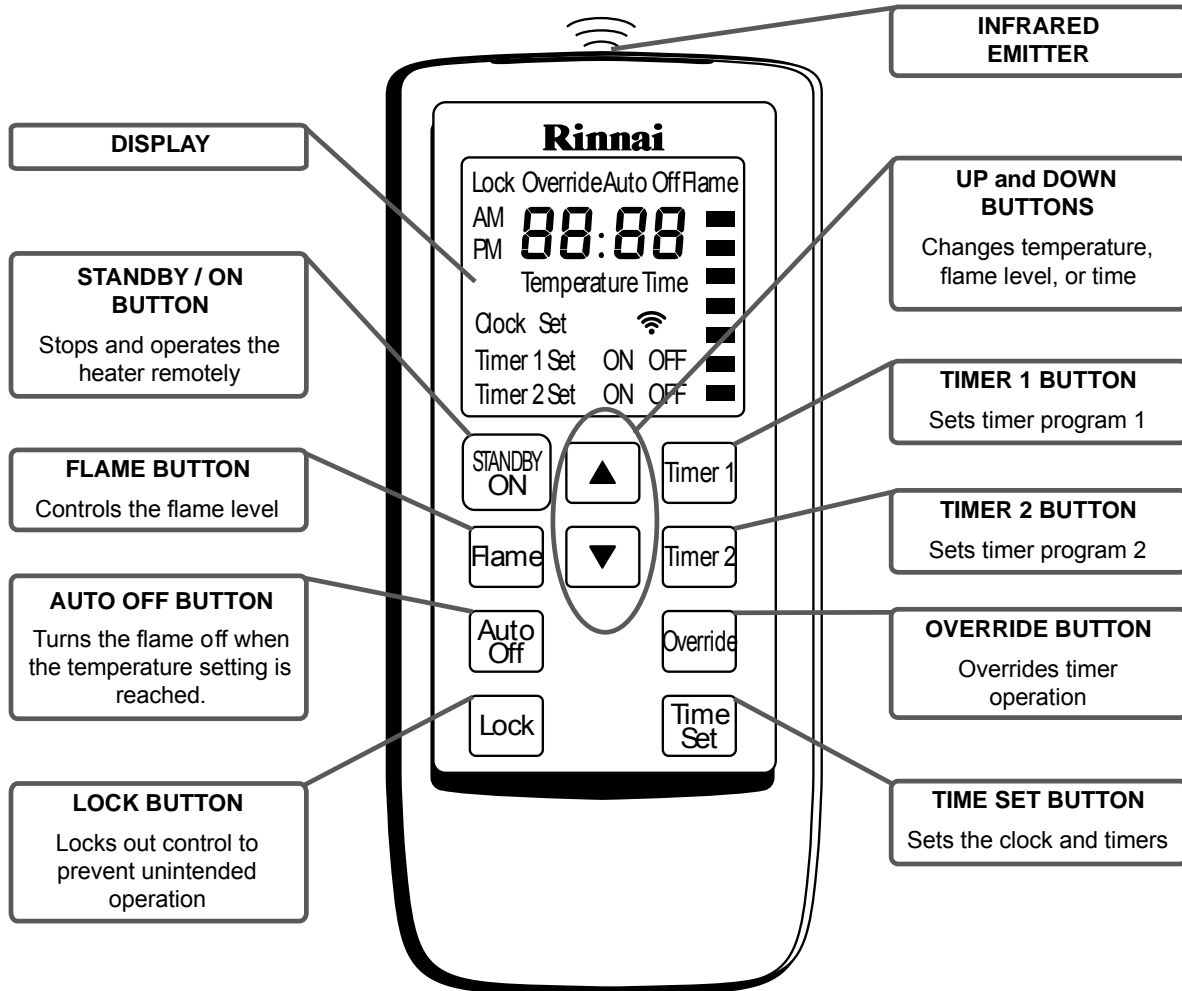
Front Panel

(features are the same for flat and curved models)

Front Panel Models

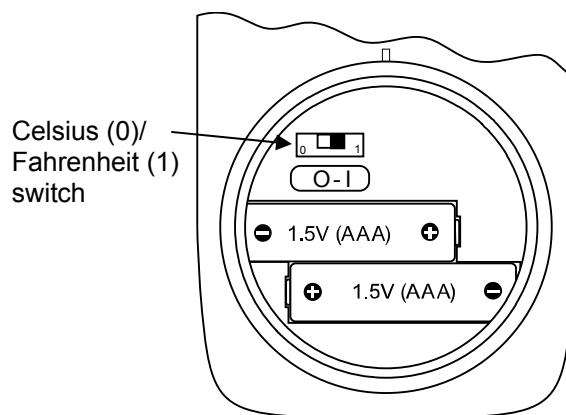
Description	Part Number
Flat Metal - Black Front	R2700
Flat Metal - Stainless Steel Front	R2701
Radius (curved) Glass - Silver Front	R2702
Radius (curved) Glass - Black Front	R2703

Remote Control Features



Remote Control Care

- Use two 1.5V AAA batteries.
- To replace batteries unscrew the battery compartment cover located on the back of the remote control counter clockwise. Ensure that the correct polarity is observed. The polarity is engraved into the battery compartment. Replace the cover by turning clockwise until a soft click is heard.
- To avoid damage from leaking batteries, remove batteries if the remote control is not going to be used for a long period.
- Some fluorescent lights may interfere with the transmission of remote control signals.
- Avoid leaving the remote control in direct sunlight.
- Do not place it close to the warm air discharge louvers.
- Avoid dropping the remote control or getting it wet.



Sequence of Operations

The combustion fan will run for several seconds before ignition to purge the combustion chamber of any gas.

If the front burner fails to ignite the appliance will turn off and fault code 11 will be displayed. If the rear burner fails to ignite the appliance will turn off and make another attempt to ignite. If this second attempt fails, the appliance will automatically turn off and fault code 11 will be displayed. This may occur when using the appliance for the first time or if it has not been used for a while. Try operating the appliance again.

The appliance may make noises after ignition or extinction of the flame. This is normal and is due to the thermal expansion or contraction of its components.

If the ON/OFF or the STANDBY/ON button is pressed immediately after the flame has been extinguished, the appliance will delay ignition for about 1 minute.

The normal ignition sequence is as follows:

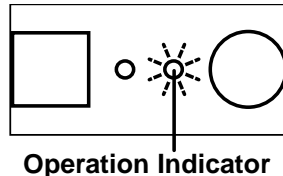
1. When the ON/OFF or the STANDBY/ON button is pressed the Operation Indicator LED will glow red and the combustion fan will rotate to purge the combustion chamber.
2. Electric ignitor operates.
3. Gas is allowed to flow to the pilot when a spark is sensed.
4. When the pilot flame is established gas will flow to the front burners and then to the rear burners.
5. When all burners are established the appliance will automatically maintain the temperature setting.

NOTE: The appliance will wait until the heat exchanger is warmed up before discharging air. This ensures that any discharge air will be warm and not cold.

Basic Fireplace Operations

Turning ON and OFF


The Operation Indicator will glow red when the appliance is ON and will glow green when the appliance is in STANDBY.



The appliance will turn ON and attempt ignition:

- when you press the ON/OFF button on the appliance panel while the appliance is OFF.
- when you press the STANDBY/ON button on the remote control while the appliance is in STANDBY.
- at the TIMER setting after you have activated the TIMER and while the appliance is in STANDBY.

When turned ON, the appliance will run at a flame level of 5 for 1.5 minutes, after which it will run at its last setting. This will be a temperature setting or a flame level. See Flame Function.


 Pressing the STANDBY/ON button on the remote control while the appliance is ON will put the appliance in STANDBY mode, extinguishing all flames and causing the Operation Indicator to glow green.

Pressing the ON/OFF button while the appliance is ON or in STANDBY will turn the appliance OFF. The convection fan may continue to run for up to 15 minutes after the appliance has been turned OFF in order to prevent the buildup of heat inside the appliance.

Remote Control Operation

The remote control emits an infrared (IR) signal and must be aimed at the receiver located to the right of the warm air discharge louvers. The normal operating range is about 16 feet (4.9 m) with an angle of about 40 degrees to the horizontal. This range will vary depending on the position of the installation and the strength of the remote control batteries.

Signal transmissions are confirmed by

- a brief illumination of the Transmission Signal Indicator on the Remote Display 
- a flash by the Remote Control Receiver to the right of the louvers
- a beep from the appliance

The remote control transmits information 1 second after a button is pressed and released except as follows:

- when the lock function is activated
- when setting the timers, timer information is transmitted only when the "TIME SET" button is pressed and released

Basic Fireplace Operations

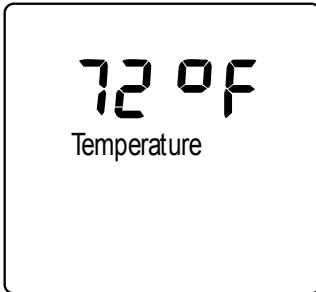
Adjusting the Temperature

Pressing the UP and DOWN buttons will change the temperature setting by 2 degree (F) increments. The display will show "Temperature" and the new temperature as confirmation.



The temperature can be set to:

- L (Low) - burner is on minimum combustion
 - 60° F - 80° F in two degree increments
- H (High) - burner is on maximum combustion



To use Celsius scale, open the battery compartment and move the switch toward "0".

The temperatures 16-26° C are available in one degree increments. To return to Fahrenheit scale move the switch toward "1".

Obstruction of Warm Air Discharge

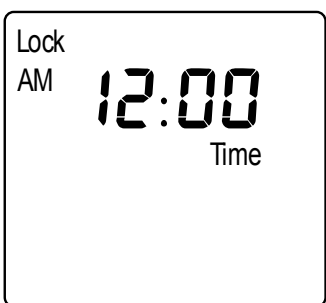
Obstructing the louvers for the warm air discharge will cause the appliance to operate inefficiently.

When an obstruction is detected the Blockage Indicator LED above the Receiver Window will glow red and combustion reduces to front burner, low operation only.

To restore normal operation, remove the obstruction, turn the appliance OFF and then ON.

Lock Function

Pressing the LOCK button will cause all functions of the remote control to be locked except for the STANDBY/ON button.



The remote control display will show the word "Lock" in the top left corner.

To cancel the Lock function press down and hold the LOCK button for 3 seconds.

Flame Function

Press the FLAME button to control the flame level. There are seven levels of flame available.



The display will show the word "Flame" and a series of short bars (one for each flame level).



Use the UP or DOWN buttons to select the desired flame level.

Pressing the FLAME button again will allow the appliance to control the flame automatically.

If the room temperature reaches 104° F (40° C) while the flame function is on then the appliance will turn off automatically as a safety precaution.

The FLAME function is not available during TIMER operation.

Auto Off Function

When the appliance is not in AUTO OFF mode and the room temperature reaches the temperature setting the appliance will



reduce the gas flow and maintain the flame on the lowest flame level. The temperature may continue to rise even on this low setting. If the temperature reaches 104° F (40° C) then the appliance will automatically shut down with fault code 16.

When the temperature setting is reached while the appliance is in AUTO OFF mode, the gas flow will be reduced to pilot operation and the convection fan will run on low speed. To enter this mode press the AUTO OFF button. The words "Auto Off" will be displayed above the time. To exit this mode press the AUTO OFF again.

Whether this mode is on or off, the appliance will attempt to maintain the temperature setting.

Timers

Programming the clock and timers

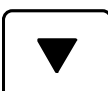
The clock must be set before the timers will operate. The temperature setting during timer operation is the temperature last used when the appliance was on. During the steps below, if no button is pressed for 90 seconds then the screen will return to the current time display.

Time Set

1. Press the TIME SET button. The display will show the words "Clock Set" and "AM 12:00" or the time.

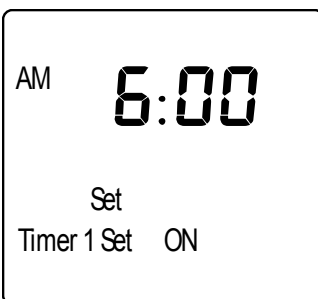


2. Use the UP or DOWN buttons to set the desired clock time.

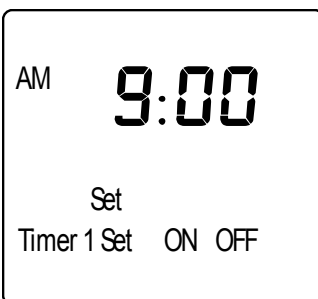


NOTE: If you do not want to set the timers now then press the TIME SET button five more times to finish setting the clock.

3. Press the TIME SET button. "Timer 1 Set ON" and "AM 6:00" or the last programmed time will be displayed. Use the UP or DOWN buttons to set the desired on time. When finished press the TIME SET button.



4. "Timer 1 Set OFF" and "AM 9:00" or the last programmed time will be displayed. Use the UP or DOWN buttons to set the desired off time. When finished press the TIME SET button.



5. To set Timer 2 repeat steps 3 and 4. If finished press the TIME SET button two more times to complete setting the clock

and Timer 1.

Using the Timers

Check the temperature setting before using the timers.

Timer 1

One or both timers can be used. To allow the appliance to operate during the pre-programmed times press the TIMER 1 and/or TIMER 2 button. The display will briefly show the "on" and "off" times for each timer.

Timer 2

If the current time is outside of the programmed times then the appliance will

go into standby mode and the Timer Indicator will glow green.

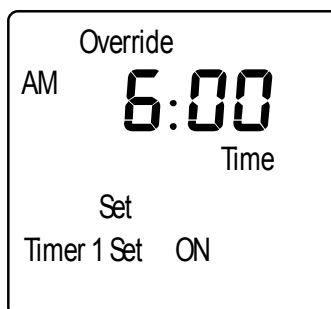
To turn the timers off press the appropriate timer button again. If the appliance was on, it will return to standby mode and the Operation Indicator will glow green.

The Timer Indicator will not display if both timers are turned off.

Using the Override

Override

This function is used to manually override Timer programmed operation.



If the appliance is operating in Timer mode then pressing OVERRIDE will turn the it OFF and cause the word "Override" to be displayed for 10 seconds.

If the appliance is in Timer mode but outside of the programmed time

for operation then pressing OVERRIDE will turn the appliance ON.

OVERRIDE does not change the programmed times.

Pre-heat

The appliance may operate up to one hour before the programmed ON time in order to allow the room to reach the desired temperature by the programmed ON time. The pre-heat time (how long before the programmed ON time that the appliance will provide heat) is determined by the difference between the temperature setting and the room temperature one hour before the programmed ON time.

Care and Maintenance

Maintenance

Repairs should be performed by a qualified service technician. The appliance should be inspected annually by a qualified service agency.

More frequent cleaning may be required due to excessive lint from carpeting, bedding material, etc. It is imperative that control compartments, burners, and circulating air passage ways of the appliance be kept clean.

When the appliance has cooled off, gain access by removing the front panel, combustion chamber glass panel, and ceramic logs. Refer to the Parts List and the sections Cleaning Combustion Chamber Glass and Final Assembly for disassembly / assembly instructions. Vacuum, use pressurized air, and then vacuum again to remove dust from the burners, compartments, and convection fan.

Any filter or guard removed for servicing the appliance must be replaced prior to operating the appliance.

The vent should be inspected annually for blockages or damage.

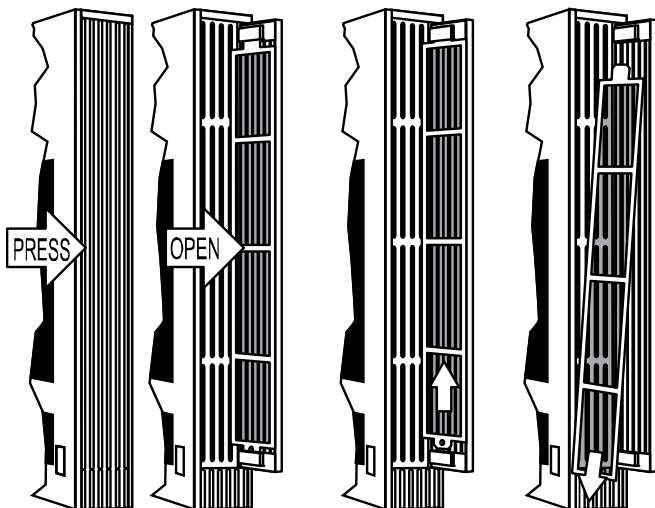
Motors are permanently lubricated and do not need periodic lubrication. Keep fan and motor free of dust and dirt by cleaning annually.

Verify proper operation after servicing.

Filters

This appliance has two filters which are behind the louvers on either side of the heater. The louvers are hinged to allow access to the filters.

Dirty filters reduce the air flow and the appliance's



ability to produce heat. The filters should be cleaned once a week during the heating season. If the filters become blocked the blockage indicator will flash red. The filters should be cleaned whenever the blockage indicator flashes red. If not cleaned the appliance may turn off and display fault code 14 (overheat) on the control panel display.

To clean the filters, the appliance should be OFF and cool. Open the louver by pushing inward and releasing. Slide the filter upwards until the bottom tab clears the lower retaining slot. Then slide the filter down and away to remove. Clean the filter using a soft dry cloth or vacuum.

Visual Inspection of Flame

Check that the pilot and burner flames are operating normally.

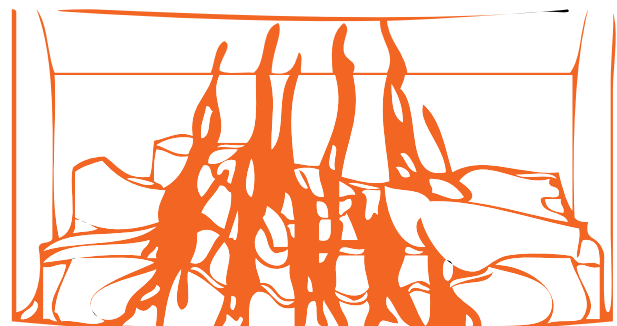
If flames appear either very short or very long and streaky or are producing smoke or soot deposits then there may be a problem with the appliance or gas supply.

The appliance should not be used if you suspect there is a problem. Call a qualified service technician to inspect the appliance.

The burners are designed to produce two rows of yellow flame but not smoke or soot.



NORMAL

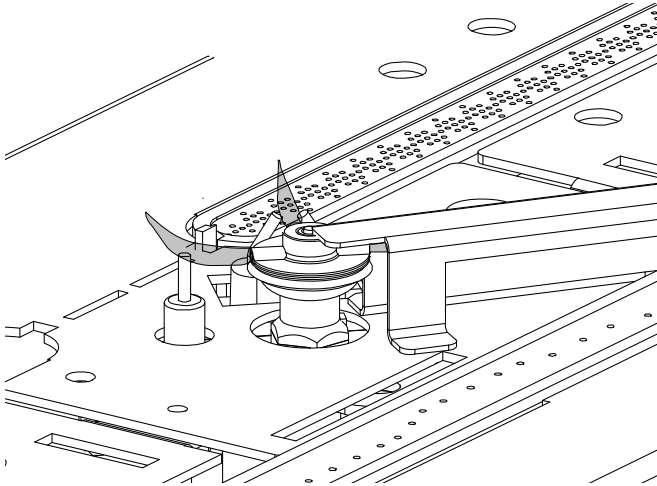


ABNORMAL

Care and Maintenance

The pilot flame should be blue and extend over the flame rod from half to three-fourths of its length. It should not be long, streaky, or yellow.

CORRECT PILOT FLAME APPEARANCE



Cleaning Combustion Chamber Glass

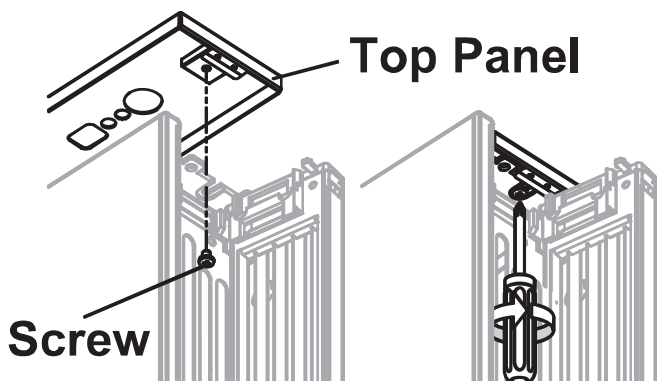
Over time combustion products may leave a film on the combustion chamber glass. Continued use of the appliance may permanently stain the glass. If filming occurs, this glass panel needs to be removed, cleaned, and installed only by a qualified service technician.

WARNING

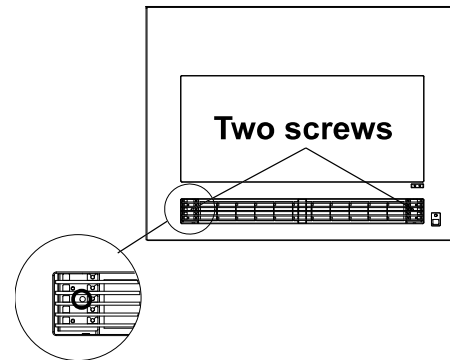
Do not clean glass when hot.

Do not clean glass with abrasive cleaners.

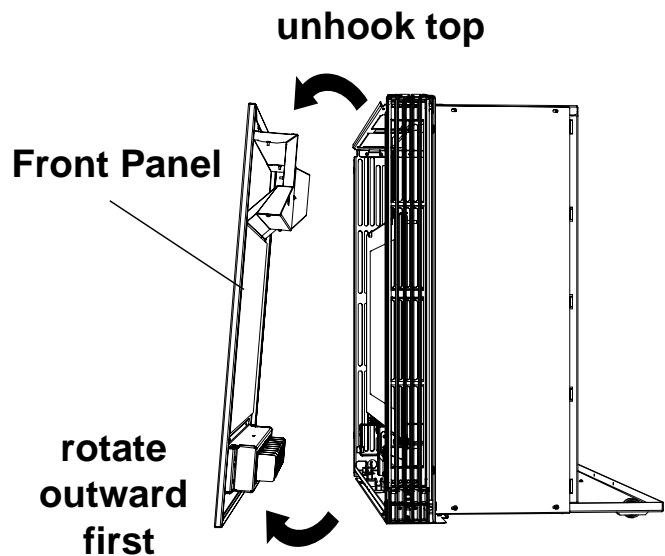
1. Open the side louvers and on each side remove one screw attaching the top panel. (Side louvers are opened by pushing in and releasing.)



2. Remove two screws attaching the front panel to the appliance.



3. Remove the front panel by rotating the bottom away from the appliance and lifting upwards to unhook the panel from the top of the appliance.



4. Remove two retaining screws and remove the combustion chamber glass panel.
5. Clean using non-abrasive, non-solvent household cleaner.
6. Install the glass panel. Refer to Final Assembly.
7. Install the front panel with two screws through the louvers. Refer to Final Assembly.
8. Install the top panel with one screw on each side of the side louvers. Refer to Final Assembly.

Care of Exterior

Clean exterior as required using non-abrasive and non-solvent cleaner. Ensure exterior is completely dry before operating.

Troubleshooting

Problem	Possible Solutions or Explanation
No display on remote	Replace the remote control batteries.
No ignition or no panel indications	Ensure the appliance has power. Press the control panel ON/OFF button.
Burners fail to ignite	Air may need to be purged from the gas line. Several ignition attempts may purge the gas line. Turn on the gas supply.
Combustion stops during operation	Remove any obstructions from the louvers. Turn on the gas supply.
Smell of gas	Follow the instructions in the warning block on the front of this manual.
Remote control does not work	Ensure the appliance has power. Press the control panel ON/OFF button. Press the LOCK button for 3 seconds if LOCK is displayed. Press the STANDBY/ON button.
Warm air does not start immediately after burner lights	The appliance will wait until the heat exchanger is warmed up before discharging air. This ensures that any discharge air will be warm and not cold.
Smoke or odors are produced when first operated	This is caused by grease or oil on the heat exchanger or by dust and should stop after a short time.
Clicking noises at ignition or shutdown	Internal components are cooling (contracting) or heating up (expanding) at different rates.
Clunking noise when the thermostat operates	This is the sound of the solenoid gas valves opening and closing to regulate the gas flow.
Convection fan continues to run after appliance is turned OFF	The fan will continue to run to prevent internal components from overheating.
Steam is discharged from the flue outside	Steam discharge is normal.
Does not start while in STANDBY and the temperature is below the setting	Timers must be turned off (or press OVERRIDE) for manual operation.
Timers do not turn the appliance ON or OFF	Timers may be turned off or incorrectly programmed.
Timer turns the appliance ON briefly and then the appliance turns OFF before the OFF time setting.	The room temperature may be higher than the temperature setting.

Fault Codes

If there is a malfunction the appliance may shut down as a safety precaution and display a fault code to assist in diagnosing the problem. The fault code will flash in the Fault Code Display window and the Operation Indicator will flash green.

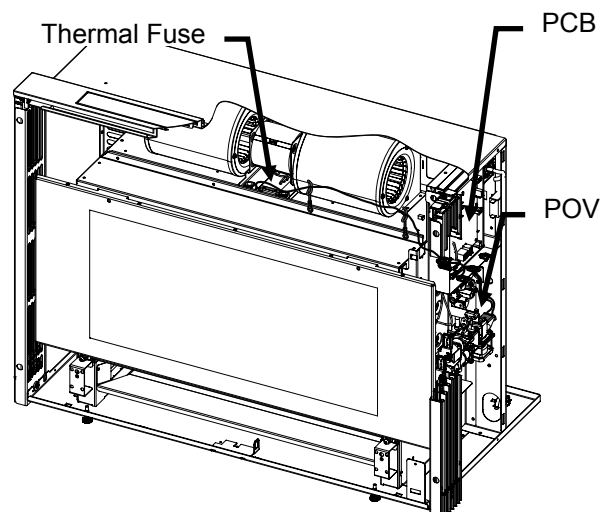
Code	Fault	Remedy
11	Ignition failure	Confirm that the gas supply is turned on. Switch appliance to STANDBY and then ON again. If ignition failure continues then a Service call is required.
12	Incomplete combustion	Service call
14	Filter blocked or Overheat	Clean filters If overheating continues then a service call is required to determine the cause. Thermal fuse; a qualified service technician must replace the fuse following the procedure below.
16	Room overheat	The temperature has reached 104° F (40° C). Turn the appliance off or engage the AUTO OFF function to prevent the display of flame. See AUTO OFF section.
31	Room temperature sensor faulty	Service call
32	Overheat temperature sensor 2 faulty	Service call
33	Overheat temperature sensor 1 faulty	Service call
49	Flue block sensor faulty	Service call
53	Spark sensor faulty	Service call
61	Fan motor faulty	Service call
71	Solenoids faulty	Service call
72	Flame detection circuit fault	Service call
73	Communication fault	Service call
99	Flue block	Check around flue terminal for obstructions to air flow

Replacement of Thermal Fuse

The cause of the overheat condition needs to be determined and remedied before replacing the thermal fuse.

A qualified service technician needs to:

1. Disconnect the appliance from the power supply.
2. Remove the right hand side panel to allow access to the gas control and main PCB.
3. Unplug the thermal fuse harness (including the control plug for the POV on the gas control) and unscrew thermal fuse.
4. Re-assemble with replacement thermal fuse.



Installation Instructions

General Instructions

WARNING

Do not use substitute materials.

Use only parts certified with the appliance.

A qualified service technician should install the appliance and inspect it before use.

The installation must conform with local codes or, in the absence of local codes, with the *National Fuel Gas Code, ANSI Z223.1/NFPA 54*, or the *Natural Gas and Propane Installation Code, CSA B149.1*.

A manufactured home (USA only) must conform with the *Manufactured Home Construction and Safety Standard, Title 24 CFR, Part 3280*, or, when such a standard is not applicable, the standard for *Manufactured Home Installations, ANSI/NCSCS A225.1*, or the standard for *Gas Equipped Recreational Vehicles and Mobile Housing, CSA Z240.4*.

The appliance, when installed, must be electrically grounded in accordance with local codes or, in the absence of local codes, with the *National Electrical Code, ANSI/NFPA 70*, or the *Canadian Electrical Code, CSA C22.1*.

Two 1/8 in test plugs are provided for testing of manifold differential pressure.

Parts Included for Installation

The appliance and front panel are packaged separately. The top panel is included with the front panel.

Confirm that the following parts are included with the appliance:

- Operation and Installation Manual
- Conversion Manual
- remote control
- remote control holder
- 2 AAA batteries
- log set (7 pieces)
- ball valve (on/off valve for gas line)
- plastic cable tie (for securing the air intake hose to the flue manifold)
- power cord flex clamp (for securing electrical connection at the junction box)
- flue clamp (for securing the exhaust line to the flue manifold)
- 3 screws (2 long screws for the remote control holder and 1 short screw for the flue clamp)
- condensate tray

The appliance must not be connected to a chimney flue serving a separate solid-fuel burning appliance.

The appliance and its appliance main gas valve must be disconnected from the gas supply piping system during any pressure testing of that system at test pressures in excess of 1/2 psi (3.5 kPa).

The appliance must be isolated from the gas supply piping system by closing its equipment shutoff valve during any pressure testing of the gas supply piping system at test pressures equal to or less than 1/2 psi (3.5 kPa).

If the flooring is carpet, tile, or other combustible material other than wood, then the appliance must be installed on a metal or wood panel extending the full width and depth of the appliance.

This appliance discharges a large volume of warm air next to the floor. Any particles in the air such as cigarette smoke could cause discoloration in carpet. The warm air flow could discolor nylon carpets containing dyes or vinyl surfaces. To prevent discoloration of the floor covering place a mat under the appliance which extends about 30 inches in front of it.

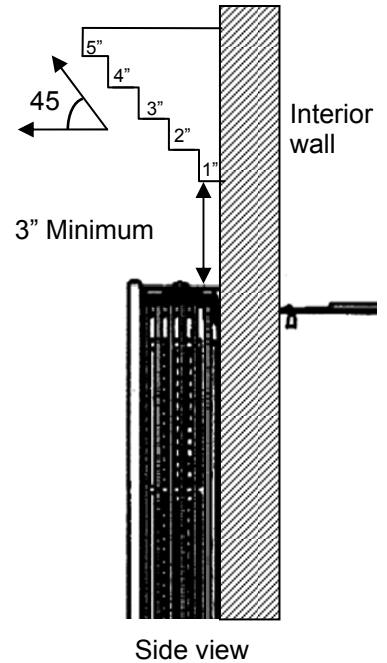
Refer to the conversion manual for high altitude installations.

Clearances to Combustibles

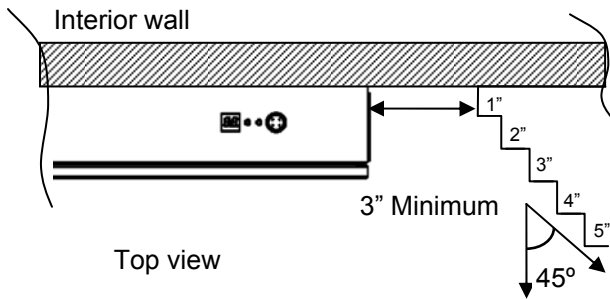
The clearances to combustibles as stated on the rating plate and as shown in the figures must be followed. Also refer to the Safety Behaviors and Practices section.

Clearance from concentric vent system: zero in/mm

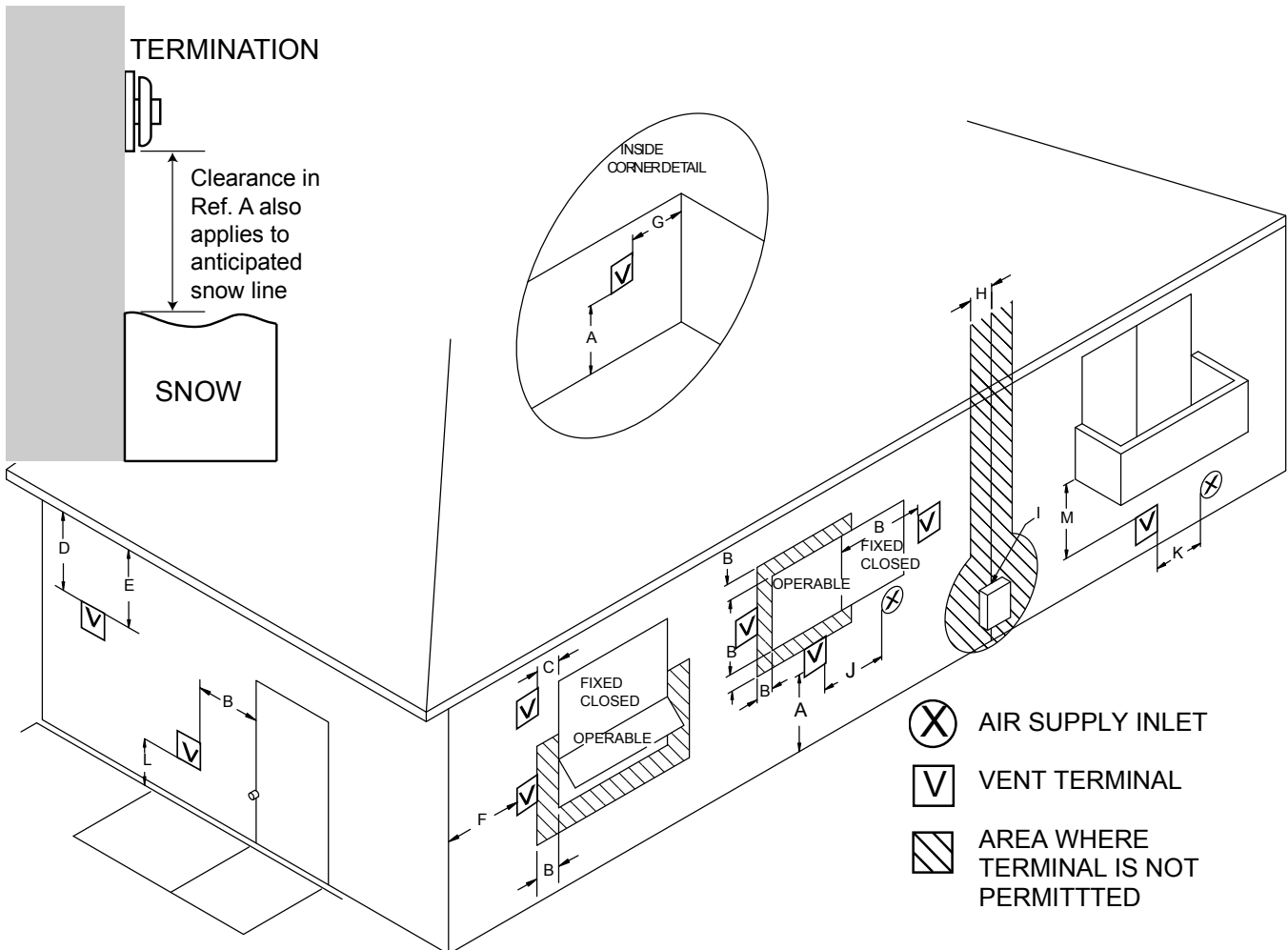
Clearances for a mantle or decorative overhang



Side clearances for air vents



Flue Terminal Clearances



Flue Terminal Clearances

Ref	Description	Canadian Installations	US Installations
A	Clearance above grade, veranda, porch, deck, or balcony. (Take into account the anticipated snow line.)	12 inches (30 cm)	12 inches (30 cm)
B	Clearance to window or door that may be opened	12 inches (30 cm)	9 inches (23 cm)
C	Clearance to permanently closed window	*	*
D	Vertical clearance to ventilated soffit, located above the terminal within a horizontal distance of 2 feet (61 cm) from the center line of the terminal	*	*
E	Clearance to unventilated soffit	*	*
F	Clearance to outside corner	*	*
G	Clearance to inside corner	*	*
H	Clearance to each side of center line extended above meter/regulator assembly	3 feet (91 cm) within a height 15 feet (4.57 m) above the meter/regulator assembly	*
I	Clearance to service regulator vent outlet	3 feet (91 cm)	*
J	Clearance to nonmechanical air supply inlet to building or the combustion air inlet to any other appliance	12 inches (30 cm)	9 inches (23 cm)
K	Clearance to a mechanical air supply inlet	6 feet (1.83 m)	3 feet (91 cm) above if within 10 feet (3 m) horizontally
L	Clearance above paved sidewalk or paved driveway located on public property	7 feet (2.13 m) ①	*
M	Clearance under veranda, porch, deck, or balcony	12 inches (30 cm) ②	*

① A vent shall not terminate directly above a sidewalk or paved driveway that is located between two single family dwellings and serves both dwellings.

② Permitted only if veranda, porch, deck, or balcony is fully open on a minimum of two sides beneath the floor.

* For clearances not specified in *ANSI Z223.1/NFPA 54* or *CSA B149.1*, clearances are in accordance with local installation codes and the requirements of the gas supplier.

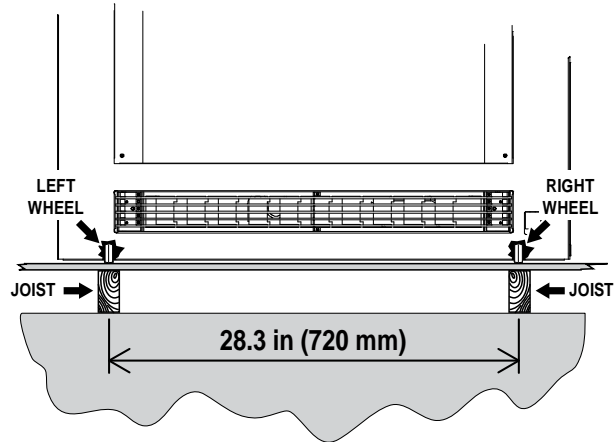
Location

This appliance has a cool outer casing that allows it to be installed in a recessed application consisting of combustible materials such as wood and plaster.

The location needs to have a level surface that allows the appliance to be rolled in or out of the enclosure.

If the surface is elevated and there is not enough room for it to be rolled out then a base and joists may be used as shown.

The appliance will have to be rolled out for maintenance. After installation do not place any permanent fixtures that would prevent pulling the appliance out for access. To pull the appliance completely out of the enclosure a minimum of 15 inches from the front panel would be needed.



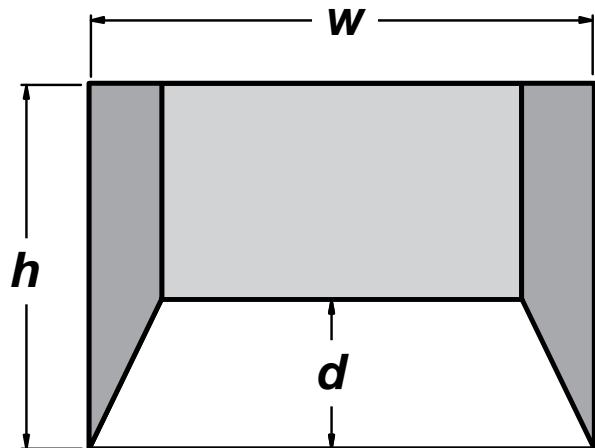
Do not vent the exhaust into 'natural draft' flue pipes or a chimney flue.

The enclosure must be within these limits:

Enclosure Dimensions	
Width (w)	33.8 in (860 mm)
Height (h)	26.0 - 26.2 in (660-665 mm)
Depth (d)	15.0 - 16.9 in (380-430 mm)

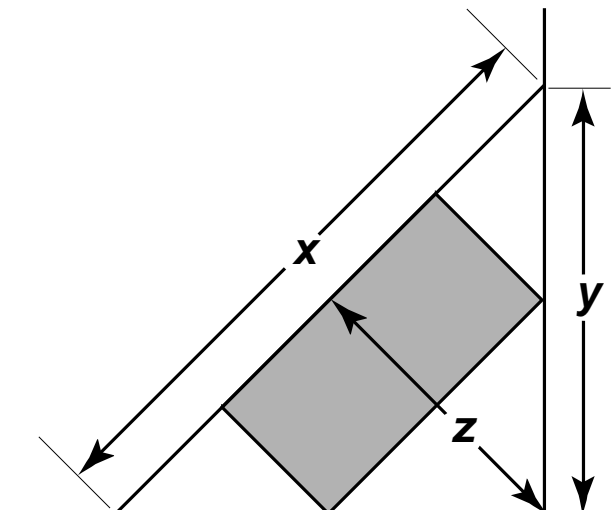
NOTE: These are minimum clearances.

The front panel extends below the surface on which the appliance rests. Ensure that clearance is maintained in order to install the front panel.



For installation in the corner of the room refer to the diagram at the right and the table below for dimensions. These dimensions are the minimum required if using the minimum width, height, and depth dimensions above.

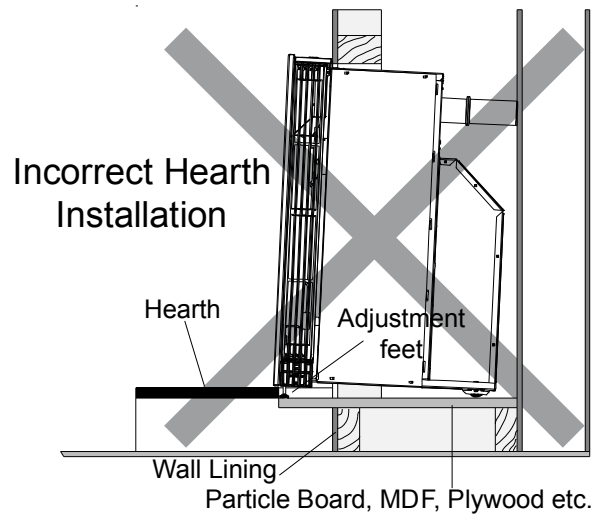
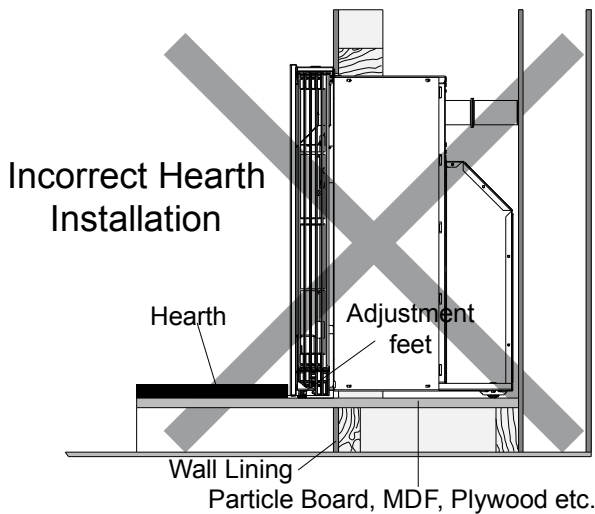
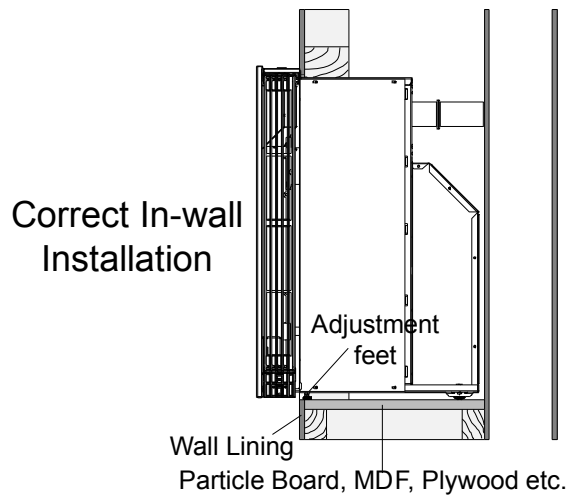
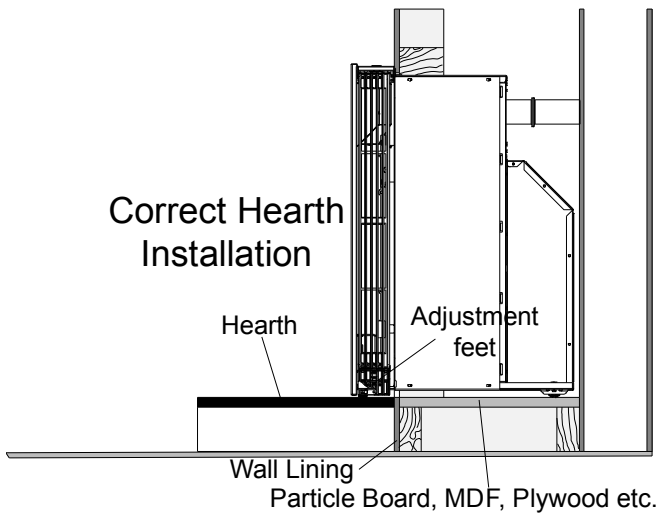
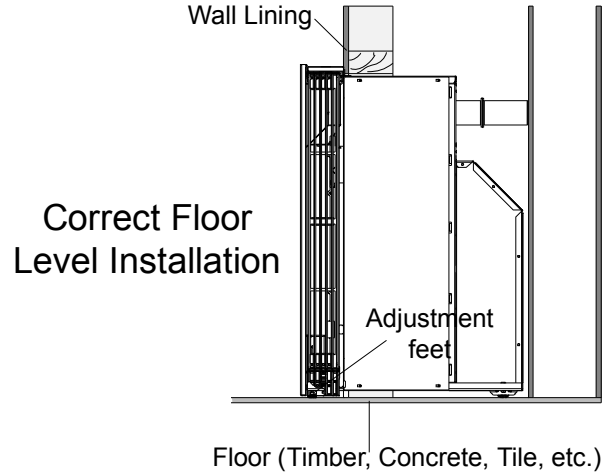
Enclosure Dimensions in a Corner	
x	63.8 in (1620 mm)
y	45.1 in (1146 mm)
z	31.9 in (810 mm)



Location

Use the adjustment feet so that the appliance is level and not tilted. They are initially installed immediately behind the side louvers but can be moved forward for better access in hearth or floor installations.

The hearth should not block the appliance from being rolled out nor should it prevent the front panel from being installed or removed.



Venting

There are 2 categories for venting:

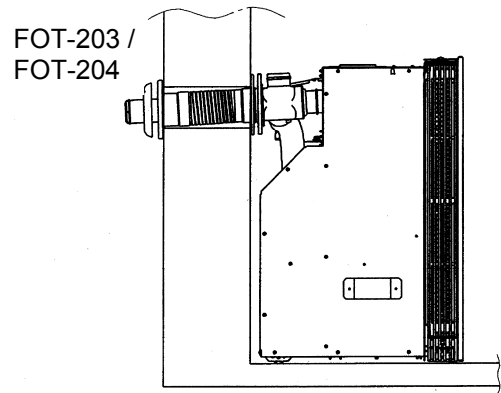
- I. Venting with Flue Manifolds FOT-203 or FOT-204 - horizontal venting directly through the wall with no extensions.
- II. Extended Venting - horizontal and vertical terminations with a maximum 33 feet and 3 elbows.

I. Venting with Flue Manifolds FOT-203 and FOT-204

The following flue manifold sizes are available:

Name	Kit No.	fits walls
Vent Kit A	FOT-203	4 1/3 - 9 1/2 inch (110 - 240 mm)
Vent Kit B	FOT-204	9 1/2 - 15 3/4 inch (240 - 400 mm)

Flue extensions are not authorized to be used with the FOT-203 and FOT-204 manifolds.



Drilling Flue and Gas Supply Holes

Check for water and gas pipes as well as electric cables. Use the template supplied to mark the wall locations for the flue manifold and the gas supply. Drill the flue hole using a 3 1/2 inch (90 mm) drill.

For weatherboard walls, drill through the center of the weatherboard from the outside first and then through the plasterboard.

Flue Manifold Installation

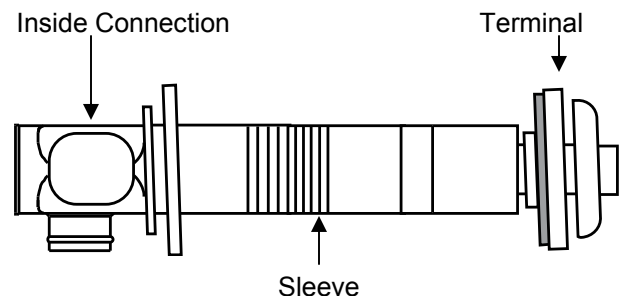
1. Disassemble the Flue Manifold

The flue consists of 3 parts:

- sleeve
- inside connection
- terminal

Disassemble the flue manifold by first pulling out the inside connection. To remove the outer terminal pull and release the two internal ties and then pull out the outer terminal.

Clearance to combustibles for the sleeve and flanges is zero inches.



Venting

2. Assemble and Adjust the Sleeve Length

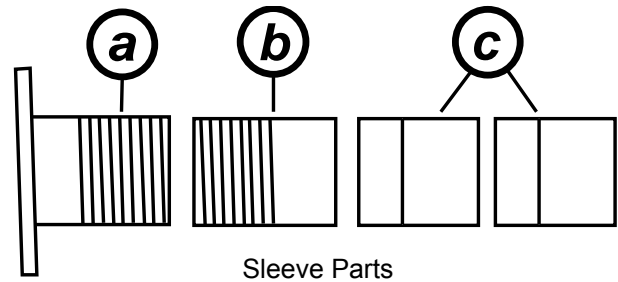
Measure wall thickness through previously drilled 3 1/2 inch (90 mm) hole.

The end of the sleeve should protrude 3/16 - 3/8 inch (5-10 mm) from the outside wall.

In the FOT-203 (Vent Kit A) there are 4 parts provided with which to assemble the sleeve. Use the table to determine which pieces to assemble.

In both kits, two parts are threaded for additional adjustment.

Adjust the sleeve length to wall thickness plus 3/16 - 3/8 inch (5-10 mm).

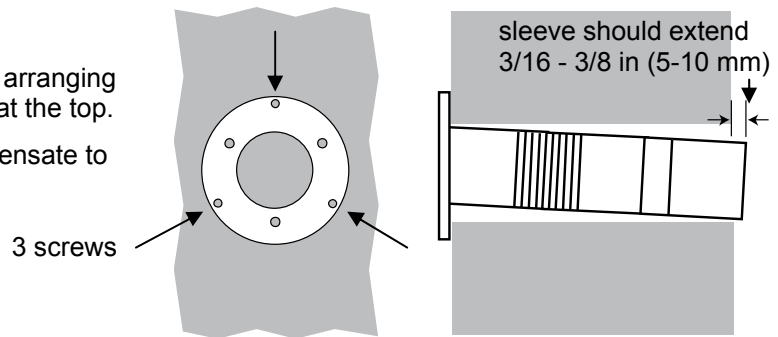


For wall thickness plus 3/16 - 3/8 in (5-10 mm)	Assemble these parts ("A" Vent Kit)
4 1/3 - 6 1/8 in (110 - 155 mm)	(a) + (b)
6 1/8 - 7 3/4 in (155 - 195 mm)	(a) + (b) + (c)
7 3/4 - 9 1/2 in (195 - 240 mm)	(a) + (b) + (c) + (c)

3. Attach the sleeve

Attach to the inside wall using 3 screws arranging the flange so that the marking "TOP" is at the top.

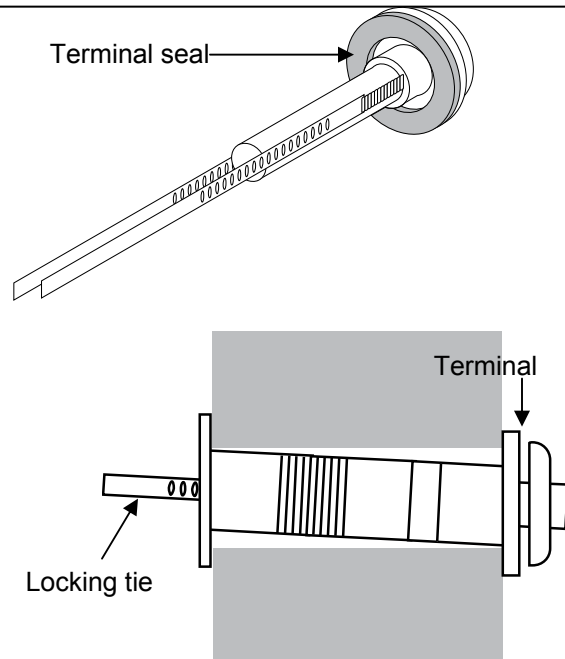
The flange is offset 2° to allow the condensate to drain to the outside.



4. Install the Terminal

Check that the terminal seal is in place. For weatherboard or vinyl siding, add the second seal next to the terminal seal to compensate for the angle.

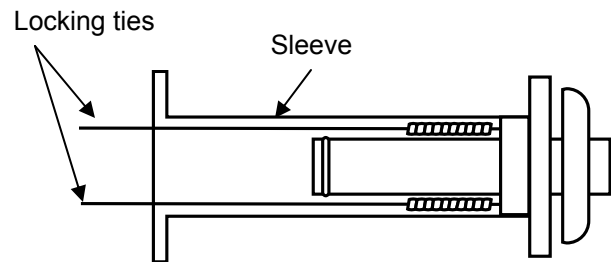
From the outside insert the terminal into the sleeve with the marking "TOP" at the top. The left hand side locking tie should be marked "LEFT".



Venting

5. Lock the ties

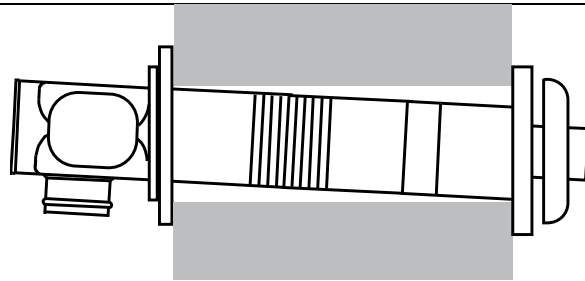
Pulling hard on the left and right hand ties, clip the ties over the notches inside the sleeve. You should be able to pull the ties 2 or 3 notches past the starting point. Cut the ties, leaving about 3/4 inch (20 mm) past the notch. Bend the ties back into the sleeve and parallel to the wall.



6. Attach Inside Connection Assembly

Push the assembly into the terminal tube.

Attach the inside connection with 3 screws. The inside connection can still be turned if necessary.



II. Extended Venting - Horizontal and Vertical Terminations

- Only vent components that are certified and listed with this appliance may be used.
- The maximum length is 33 feet (10 m) with a maximum of 3 elbows.
- The venting length (horizontal and vertical) that is draining back toward the appliance is limited to 8.2 feet (2.5 m). A condensate collector must be installed at this point if more venting length is needed. Dispose of condensate per local codes. The condensate trap must contain a minimum of 3 inches (75 mm) of water.
- Slope any horizontal venting 1/4 inch per foot (19 mm / m), towards the outside so that it can drain out of the termination -OR- slope 1/4 inch per foot (19 mm / m), toward the appliance which has a condensate tray.
- Do not combine vent components from different manufacturers.
- The vent system must vent directly to the outside of the building and use outside air for combustion.
- Venting should be as direct as possible with a minimum number of pipe fittings.
- Avoid dips or sags in horizontal vent runs by installing supports per the vent manufacturer's instructions.
- Support horizontal vent runs every four feet and all vertical vent runs every six feet or in accordance with local codes.
- Vent diameter must not be reduced.
- Do not connect the venting system with an existing vent or chimney.
- Do not common vent with the vent pipe of any other appliance.
- The horizontal termination must not be used as a vertical termination; the vertical termination must not be used as a horizontal termination.
- For vertical venting, an additional 2 inch elbow, part number 308000010, is required and available from Rinnai for connecting the exhaust to the adapter.
- Refer to the instructions of the vent system manufacturer for component assembly instructions.
- If the vent system is to be enclosed, it is suggested that the design of the enclosure shall permit inspection of the vent system. The design of such enclosure shall be deemed acceptable by the installer or the local inspector.

NOTICE

If it becomes necessary to access an enclosed vent system for service or repairs, Rinnai is not responsible for any costs or difficulties in accessing the vent system. Warranty does not cover obtaining access to an enclosed vent system.

Venting

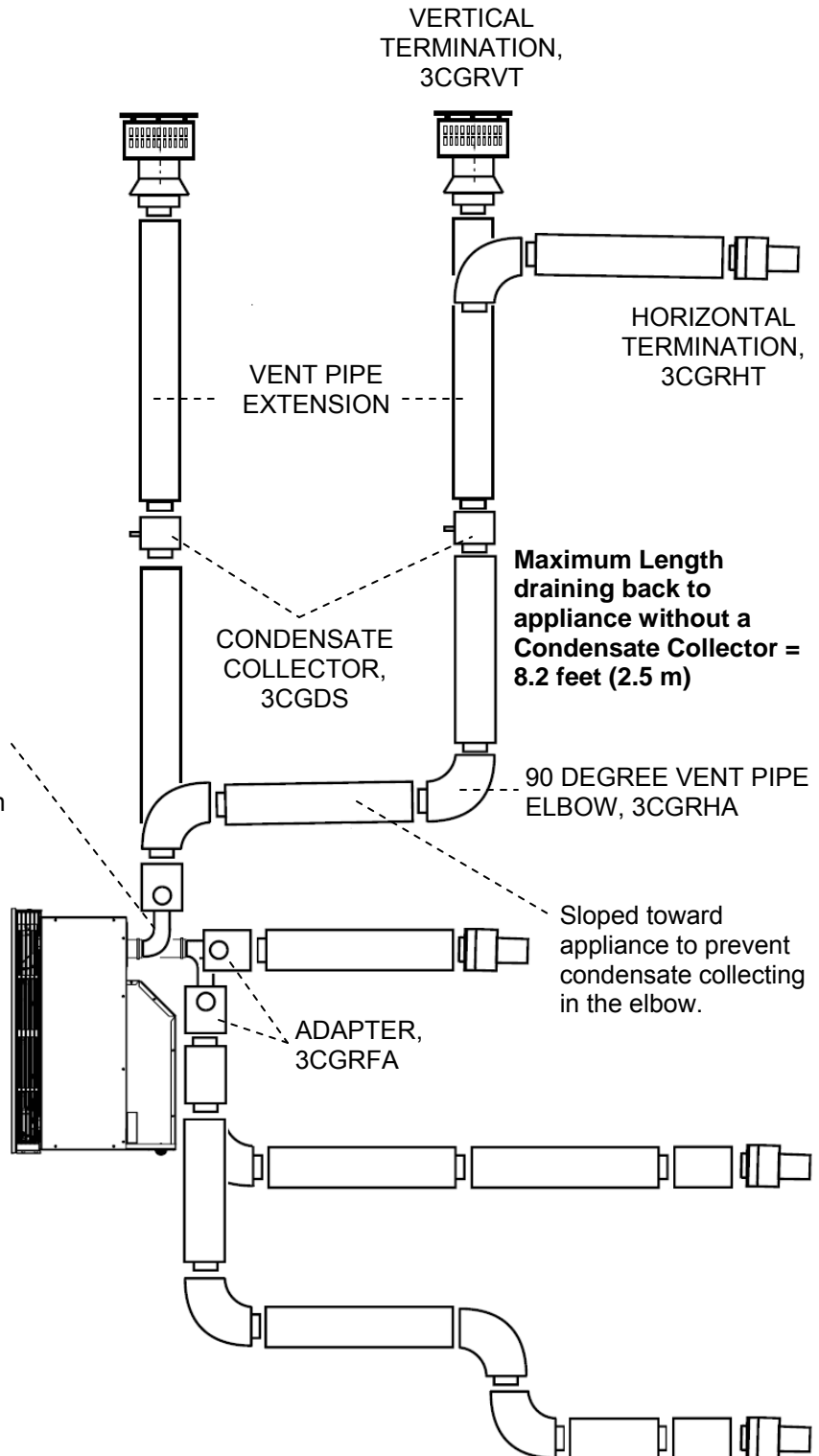
Certified and Listed Vent Products

Manufacturer: Metal-Fab

Product: Corr/Guard

Part Number	Description
3CGRFA	Adapter
3CGDS	Condensate Collector
3CGRVT	Vertical Termination
3CGRHT	Horizontal Termination
3CG6	6" Vent Pipe Extension
3CG12	12" Vent Pipe Extension
3CG18	18" Vent Pipe Extension
3CG24	24" Vent Pipe Extension
3CG36	36" Vent Pipe Extension
3CGRHA	90 Degree Vent Pipe Elbow

Maximum Length = 33 feet (10 m) and 3 elbows



Maximum Length draining back to appliance without a Condensate Collector = 8.2 feet (2.5 m)

2 inch elbow, 308000010, available from Rinnai

Sloped toward appliance to prevent condensate collecting in the elbow.

NOTICE

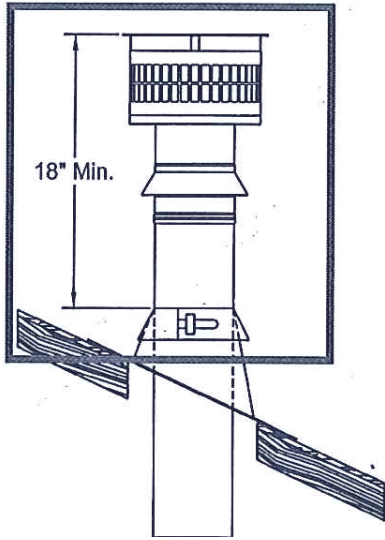
Installations depicted are examples of configurations only and exclude brackets, flashing, trim, and other accessories required for a complete installation.

Follow the guidelines on the opposite page and follow the Metal-Fab installation instructions for installing the venting.

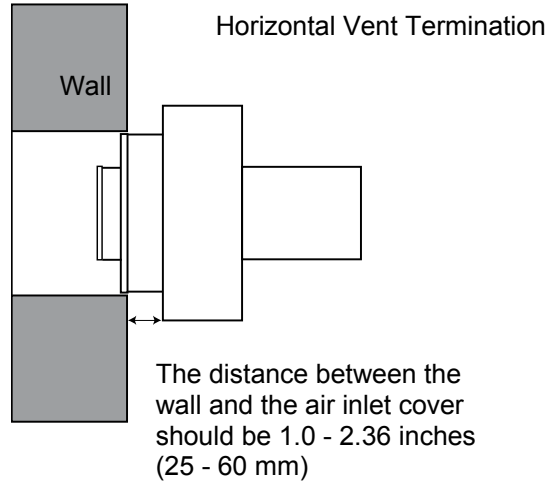
Refer to the Metal-Fab direct vent system components catalogue to determine the parts required for you particular vent application.

Additional Venting Clearances

The top of the vertical termination should not be less than 18 inches from the storm collar.

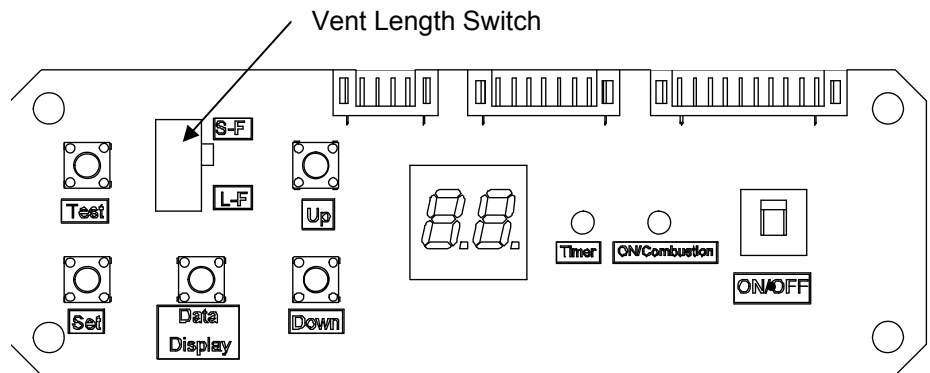


Refer to the instructions of the vent system manufacturer for complete component assembly instructions.



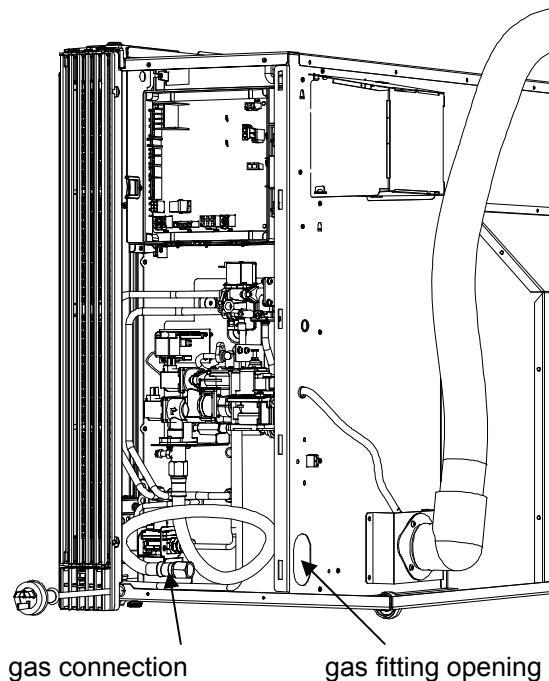
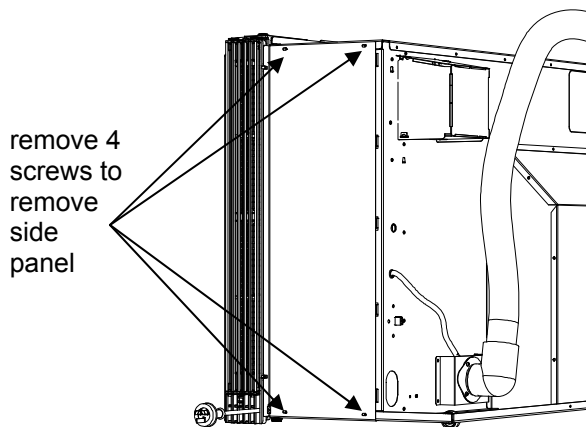
Vent Length Switch

If using extended venting, move the dip switch in the control panel to L-F.

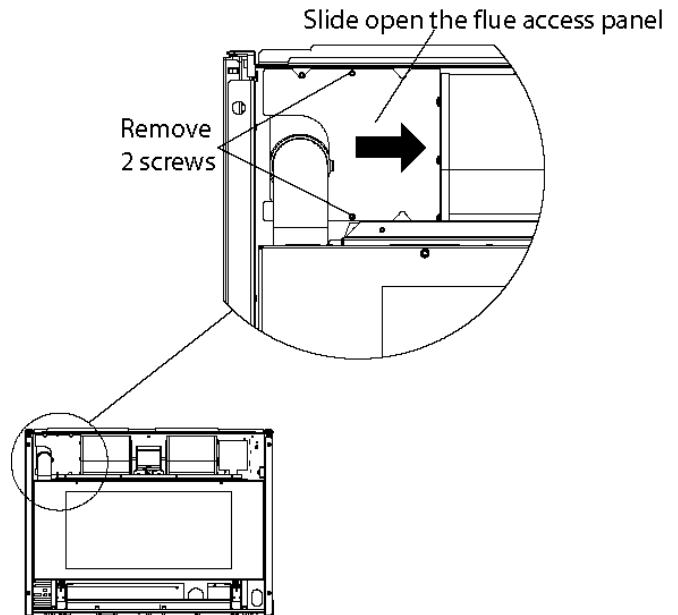


Connections

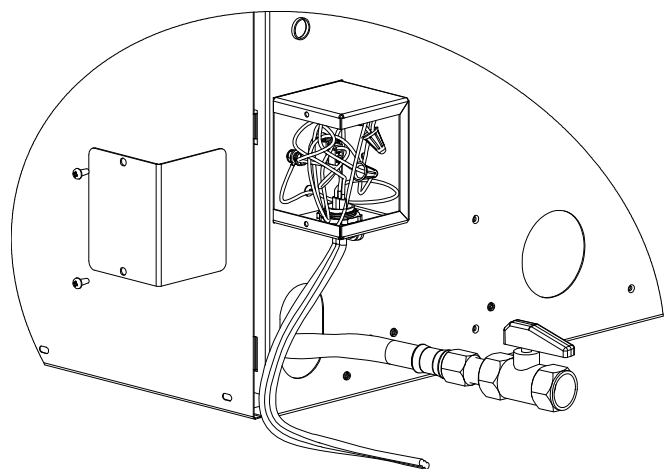
1. Carefully remove the packaged ceramic logs and place in a safe location.
2. To ensure the correct positioning, terminate the gas supply so that it is 5.9 inches (150 mm) from the front of the enclosure.
3. Gain access to the gas connection by removing the right hand side access panel and by unscrewing the four retaining screws. Pry the front edge of the panel open to the right and pull forwards.
4. Position the appliance in front of the enclosure so that the end of the gas supply aligns with the gas fitting opening. Connect the flexible gas connection to the gas supply.
5. Replace the right hand panel and secure with the four retaining screws.



6. Unscrew the flue access panel held by two screws located inside the top left hand corner of the appliance. Slide this panel to the right behind the convection fan.

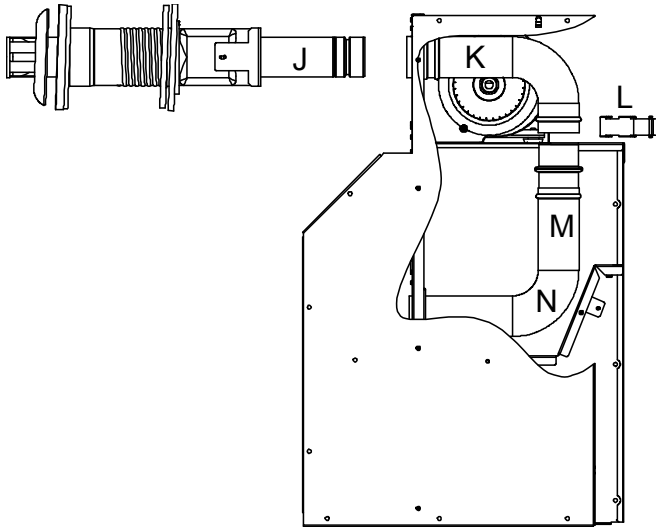


7. Remove the 2 screws attaching the cover on the junction box. Install the power cord flex clamp by inserting the threaded part through the bottom hole and attaching the washer. Attach the electrical connection and place in the junction box. Attach the cover with 2 screws.
8. Leak test the gas connection using a soapy solution. Do not allow the soapy solution to contact electrical components. Remove any residue.

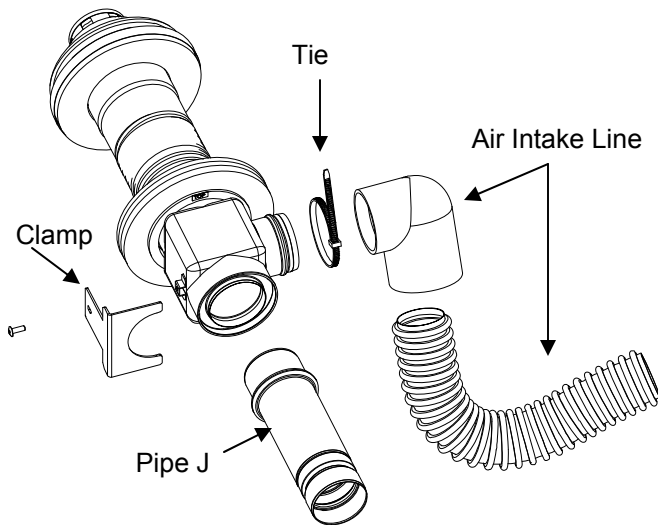


Connections

9. Remove clamp L and slide the vertical pipe M down into the lower elbow N to remove parts J and K. Separate J and K.

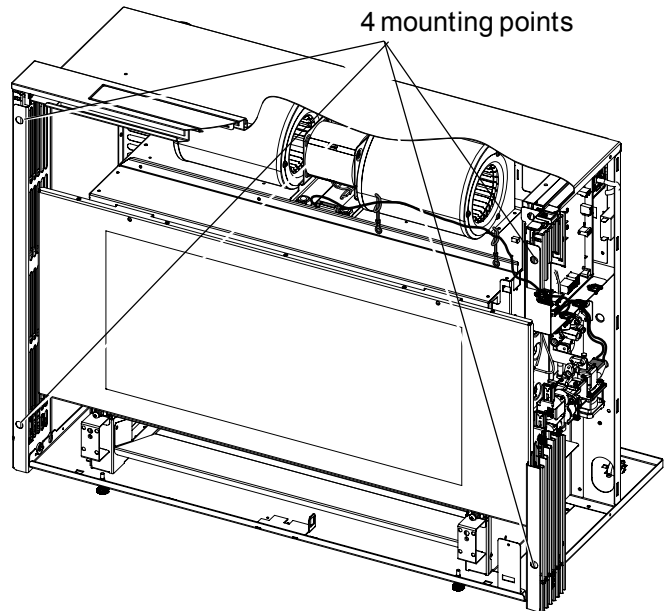


10. Attach pipe J to the flue manifold (or the adapter or the 2 inch elbow for extended venting) with clamp and screw.
11. Push the air intake line onto the flue manifold or adapter and secure with the plastic cable tie. Make sure the hose does not kink.



12. Carefully slide the appliance into the enclosure lining up the gas supply and exhaust pipe. Fit elbow K to pipe J making sure that the clip in elbow K goes beyond the groove in the pipe. The gas supply flexible hose is designed to coil inside the appliance as it is pushed into the enclosure.

13. Slide tube M up into elbow K and clamp together with clamp L.
14. Slide the flue access panel back into position and attach with two screws. This panel may be turned upside down to allow for a different flue pipe height.
15. Open both of the air return louvers on both sides. Secure the appliance using the four mounting points.



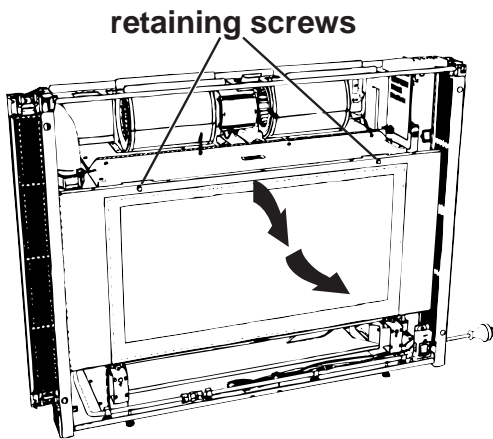
Final Assembly

Install the Logs

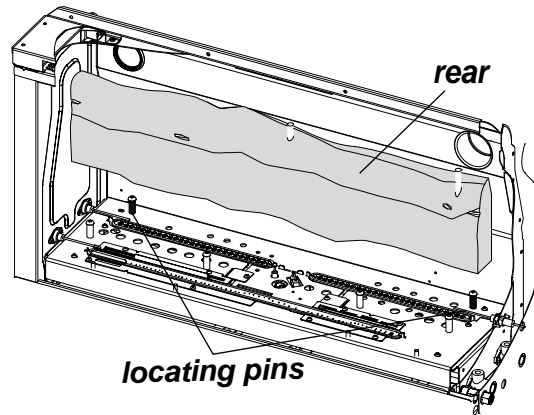
The log set consists of seven pieces as follows:

- rear
- left hand middle
- right hand middle
- center top
- right hand top
- left hand front
- right hand front

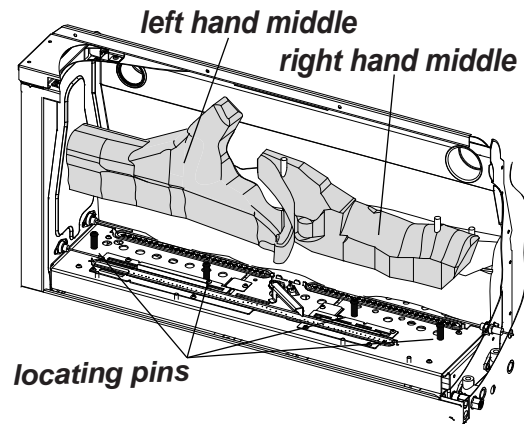
1. Remove the two retaining screws that secure the combustion chamber glass panel.
2. Rotate and lift the combustion chamber glass clear of the combustion chamber and place in a safe location.



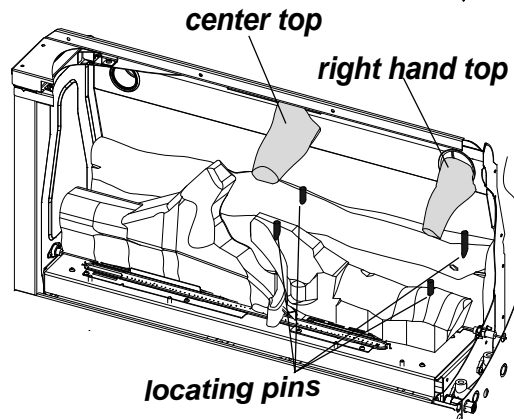
3. Seat the rear log into the combustion chamber onto its location pins.
4. Seat the left hand middle log onto its location pins.
5. Seat the right hand middle log onto its location pins.
6. Seat the center top log onto the location pins.
7. Seat the right hand top log onto the location pins.
8. Place the left hand front log and the right hand front log on the pins.
9. Install the glass panel with two retainer screws at the top of the panel.



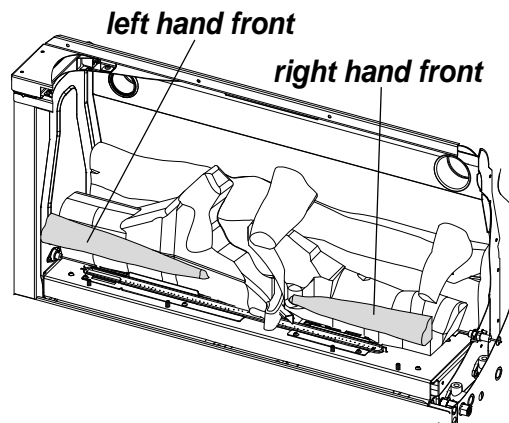
Step 3



Steps
4 & 5



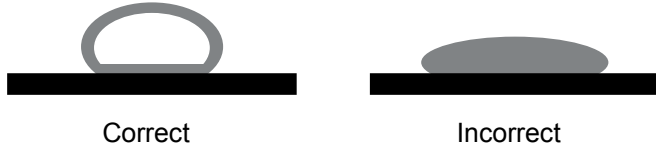
Steps
6 & 7



Step 8

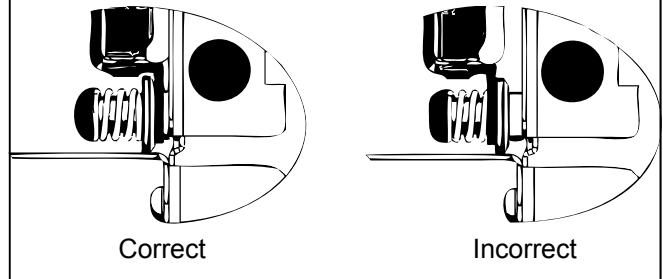
Final Assembly

Ensure that the sealing material completely covers the perimeter of the glass. Squeeze the sealing material so that it is no longer flat. This will allow it to flatten correctly when installed.



! WARNING Installing Glass Panel

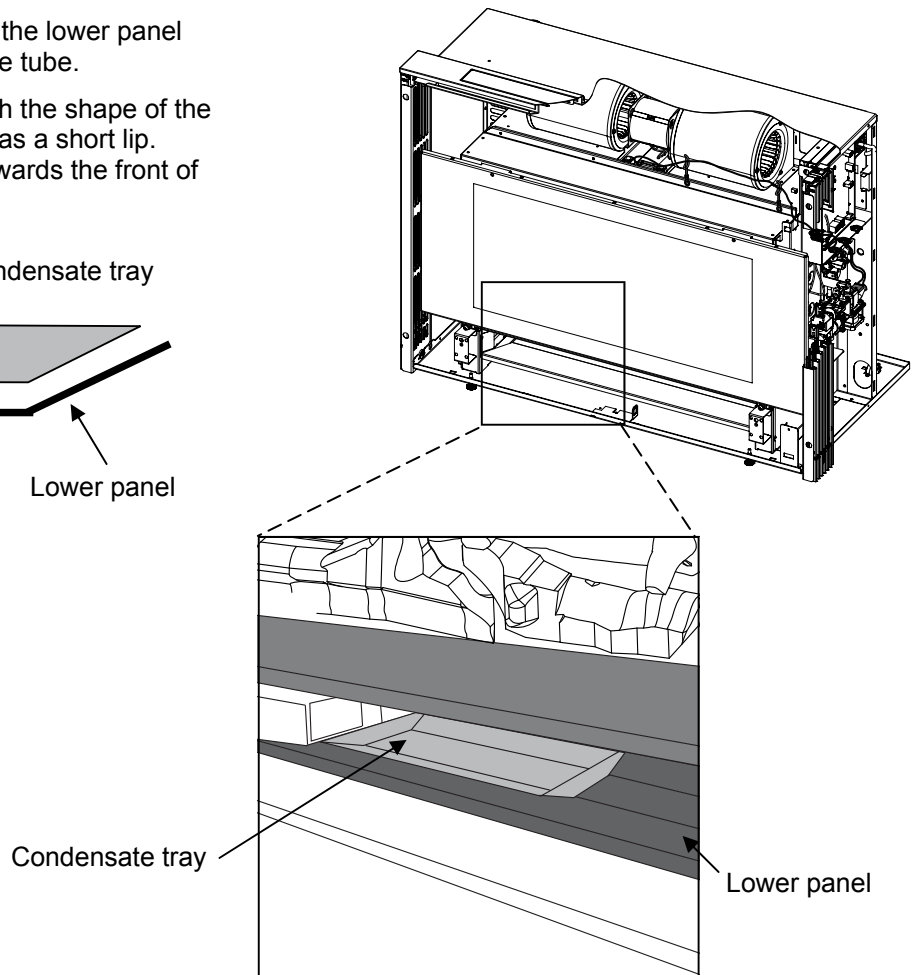
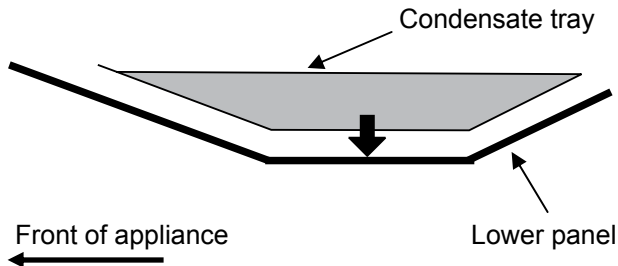
Ensure that the lower slots are properly positioned against the combustion chamber. The slot should be between the tapered washer and the appliance; it should not be between the tapered washer and the spring.



Condensate Tray

Place the condensate tray on top of the lower panel on the left side under the condensate tube.

Place it flat so that it matches up with the shape of the lower panel. One edge of the tray has a short lip. Position the tray so that this lip is towards the front of the appliance.

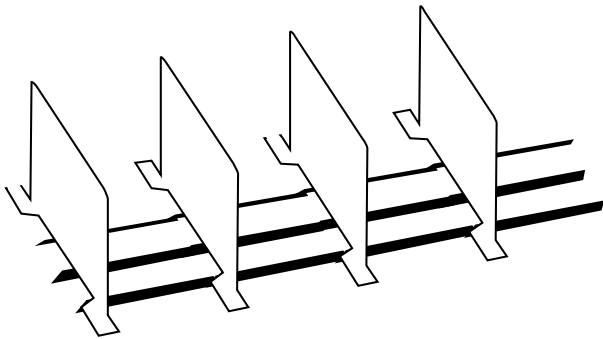


Final Assembly

Air Guide Vanes

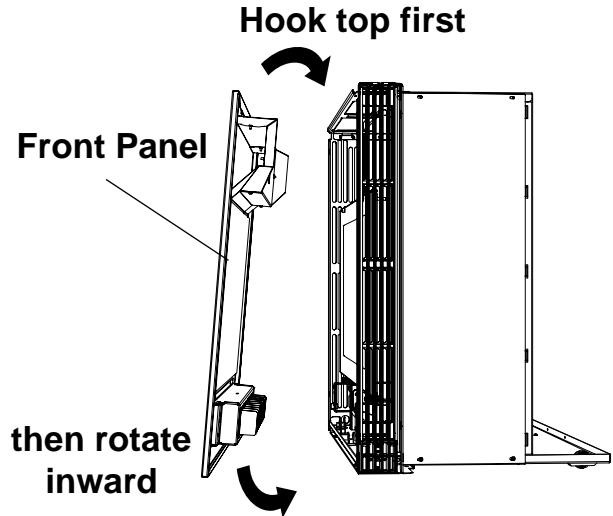
To move the air flow more to the right or to the left, bend the air guide vanes using only light hand pressure.

Do not bend repeatedly (no more than 5 times) or else the vane will break.

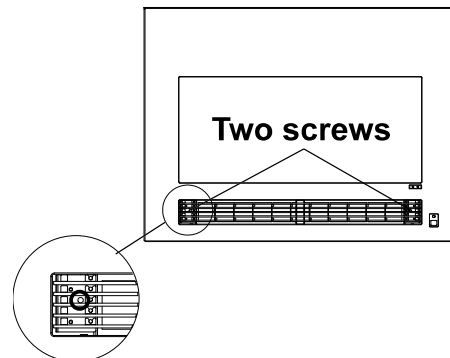


Install the Front Panel

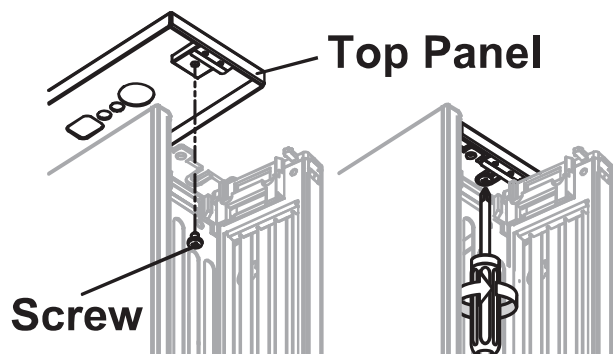
1. Install the front panel by hooking the top into the body and rotating the bottom towards the appliance.



2. Secure the front panel to the appliance using two screws through the front of the warm air discharge louvers.



3. Set the top panel into place. Open the side louvers and on each side attach the top panel with one screw. (Side louvers are opened by pushing in and releasing.)



Operating Instructions

FOR YOUR SAFETY READ BEFORE OPERATING



WARNING

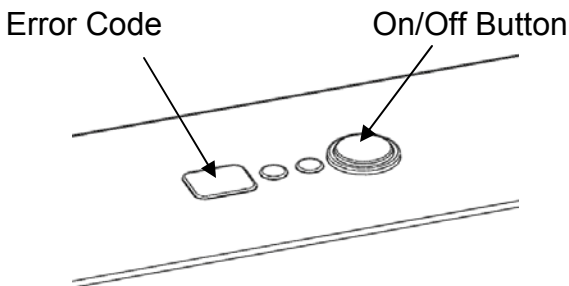
If you do not follow these instructions exactly, a fire or explosion may result causing property damage, personal injury or loss of life.

- A. This appliance is equipped with an ignition device that automatically lights the pilot. Do not try to light the burner by hand.
- B. **BEFORE OPERATING** smell all around the appliance area for gas. Be sure to smell next to the floor because some gas is heavier than air and will settle on the floor.

WHAT TO DO IF YOU SMELL GAS
 - Do not try to light any appliance.
 - Do not touch any electric switch; do not use any phone in your building.
 - Immediately call your gas supplier from a neighbor's phone. Follow the gas supplier's instructions.
 - If you cannot reach your gas supplier, call the fire department.
- C. Use only your hand to push the gas control buttons. Never use tools. If the knob will not push in or turn by hand, don't try to repair it, call a qualified service technician. Force or attempted repair may result in a fire or explosion.
- D. Do not use this appliance if any part has been under water. Immediately call a qualified service technician to inspect the appliance and to replace any part of the control system and any gas control which has been under water.

OPERATING INSTRUCTIONS

1. **STOP!** Read the safety information above.



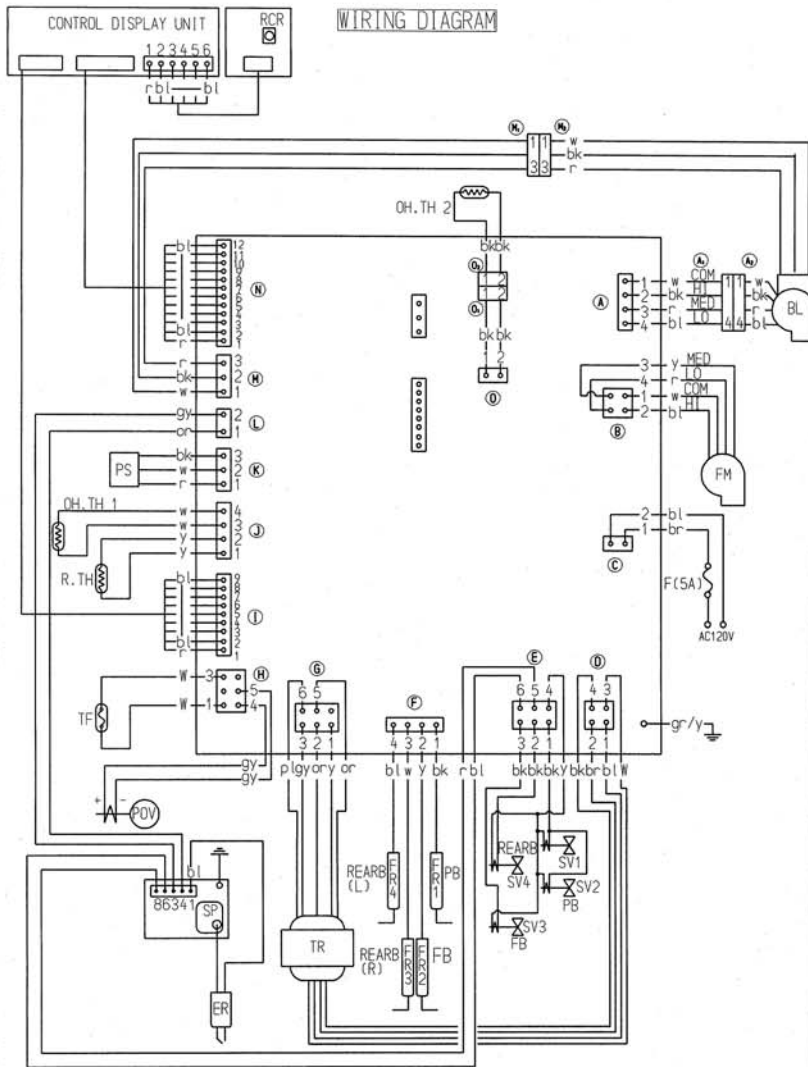
2. Wait five (5) minutes to clear out any gas. Then smell for gas, including near the floor. If you smell gas, STOP! Follow "B" in the safety information above. If you don't smell gas, go to the next step.
3. Press the On/Off button on the top panel on the appliance. This will start the ignition sequence.
4. If the appliance does not light it will automatically shut down and an error code will display. Check this manual for error code definitions.
5. To re-attempt ignition, press the On/Off button twice.
6. To adjust the heat, press the up ▲ or down ▼ buttons on the remote control to adjust the thermostat.
7. To turn the unit off, press the On/Off button on the top control panel.
8. If the appliance will not operate, follow the instructions "To Turn Off Gas To Appliance" and call your service technician or gas supplier. See this manual for additional information.

TO TURN OFF GAS TO APPLIANCE

Turn off electric power to the appliance using the On/Off button located on the control panel. The fan will continue to operate until the appliance is cool. Once the fan has stopped operating, isolate the appliance power by unplugging it from the wall or turning off the isolating breaker switch.

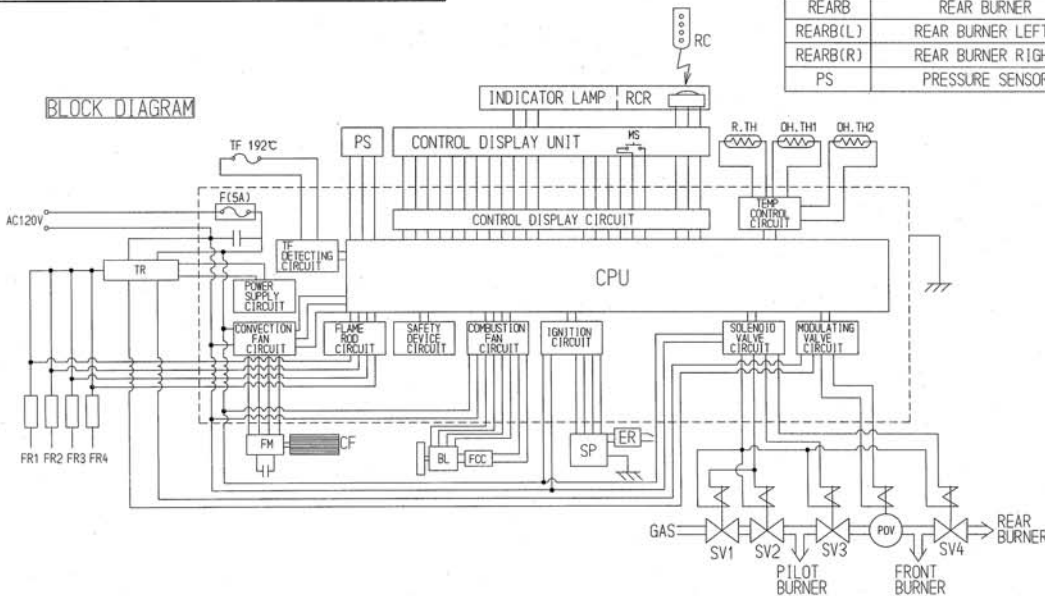
NOTE: Do not turn the appliance off by unplugging it from the wall. Keep burner and control compartment clean. See installation and operating instructions.

Wiring and Schematic Diagrams



CODE	COLOR
bk	black
bl	blue
br	brown
gy	grey
pl	purple
r	red
w	white
y	yellow
gr/y	green/yellow

MARK	PARTS NAME
MS	MAIN SWITCH
R.TH	THERMISTOR
TF	THERMAL FUSE
F	FUSE
ER	ELECTRODE
POV	MODULATING SOLENOID VALVE
TR	TRANSFORMER
FR1~4	FLAME ROD 1~4
RC	REMOTE CONTROLLER
CF	CONVECTION FAN
FM	CONVECTION FAN MOTOR
SP	SPARKER
OH.TH1,2	OVER HEAT THERMISTOR 1,2
SV1~4	MAIN SOLENOID VALVE 1~4
BL	COMBUSTION FAN MOTOR
FCC	FAN CONTROL CIRCUIT
RCR	REMOTE CONTROL RECEIVER
CPU	CENTRAL PROCESSING UNIT
PB	PILOT BURNER
FB	FRONT BURNER
REARB	REAR BURNER
REARB(L)	REAR BURNER LEFT
REARB(R)	REAR BURNER RIGHT
PS	PRESSURE SENSOR

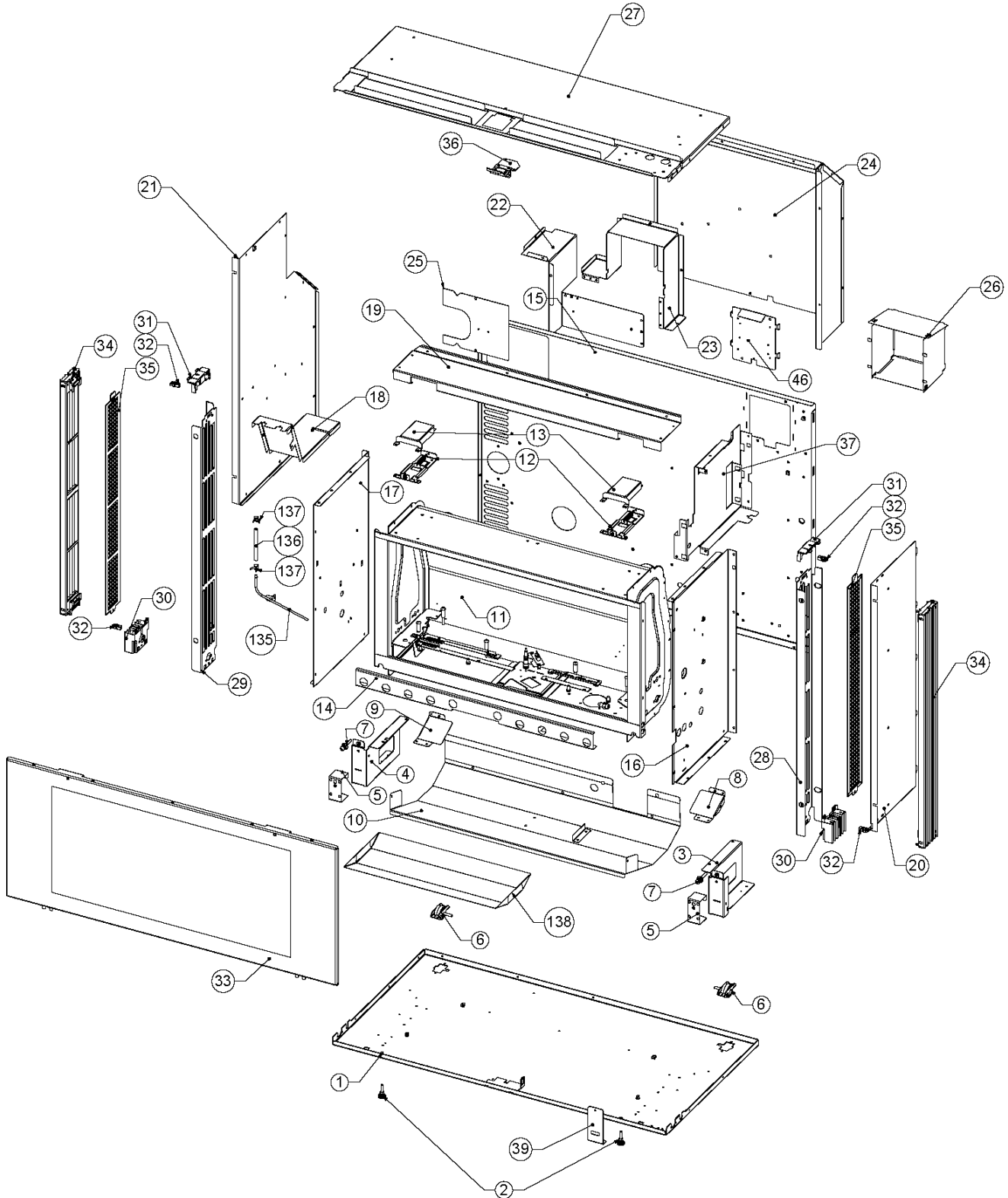


CAUTION Label all wires prior to disconnection when servicing controls. Wiring errors can cause improper and dangerous operation.

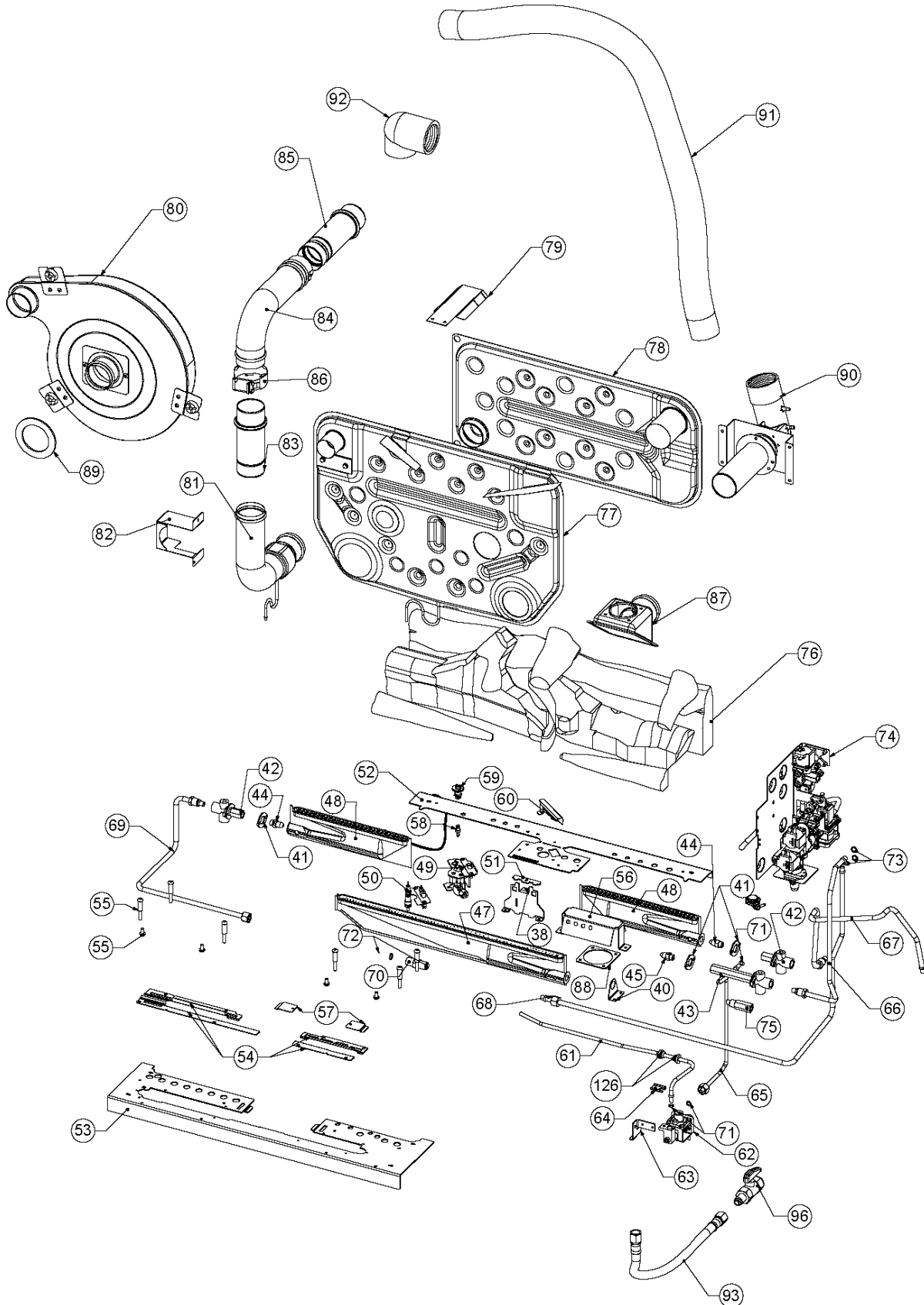
If any of the original wire as supplied with the appliance must be replaced, it must be replaced with type 18 AWG wire or its equivalent.

Parts List

For replacement parts call Rinnai at 1-800-621-9419.



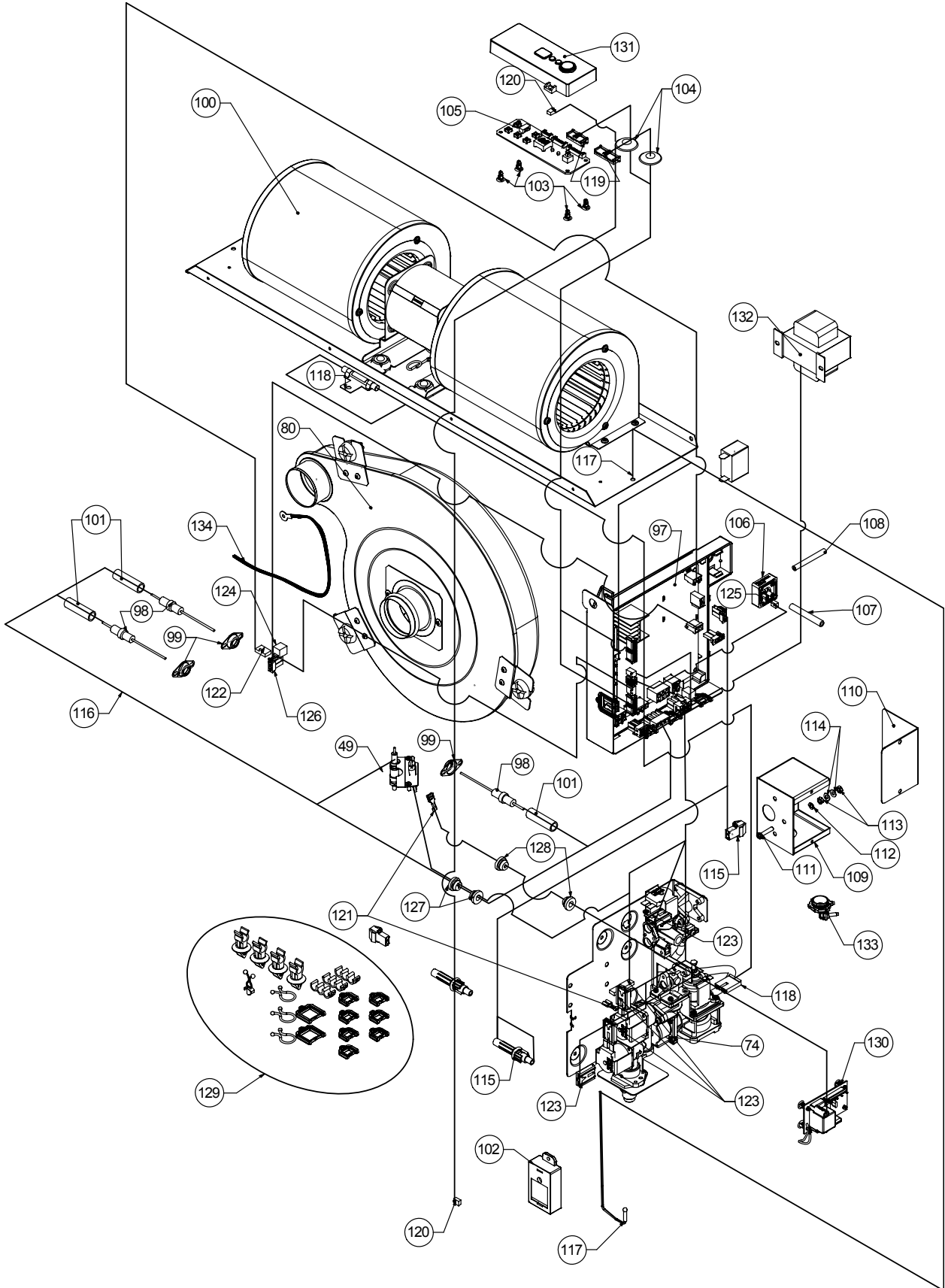
Parts List



Rinnai Corporation RHFE-750ETRA

33

Parts List



Parts List

ITEM	QTY	PART NO.	DESCRIPTION	COMMENTS
1	1	10201	PANEL BASE RHFE750ETR	
2	2	10777	FOOT KIT RHFE	
3	1		BRACKET COMB CHAMBER SUPPORT RH R750	NON SERVICEABLE PART
4	1		BRACKET COMB CHAMBER SUPPORT LH R750	NON SERVICEABLE PART
5	2	10458	BRACKET FRONT MOUNT RHFE	
6	2	10751	WHEEL KIT RHFE750/IBOF	
7	2	10778	GLASS RETAINER SPRING KIT RHFE750	
8	1	10232	PANEL AIR DIVERTER RH RHFE750	
9	1	10231	PANEL AIR DIVERTER LH RHFE750	
10	1	10742Z	PANEL AIR GUIDE LOWER US BLACK	
11	1		COMBUSTION CHAMBER ASSEMBLY PAINTED R750	NON SERVICEABLE PART
12	2	10780	GLASS RETAINER SLIDE ASSEMBLY RHFE750	
13	2	10390	GLASS RETAINER SLIDE COVER RHFE750	
14	1	10224Z	PANEL BURNER SHIELD PAINTED R750	
15	1	10204	PANEL HEAT SHIELD REAR RHFE750	
16	1	10427	PANEL HEAT SHIELD RH RHFE750	
17	1	10431	PANEL HEAT SHIELD LH RHFE750	
18	1	10432	PANEL COMB FAN FLUE DIVIDER	
19	1	10208	PANEL FAN INFILL RHFE750	
20	1	10205	PANEL OUTER RH RHFE750ETR	
21	1	10206	PANEL OUTER LH RHFE750ETR	
22	1	10263	PANEL COMB FAN INLET "A"	
23	1	10264	PANEL REAR AIR INLET "B"	
24	1	10781	COMBUSTION FAN COVER RHFE750	
25	1	10213	PANEL COVER FLUE OUTLET	
26	1	10869	PANEL COVER TRANS RHFE	
27	1	10207	TOP PANEL RHFE ENGINE ASSEMBLY	
28	1	10296Z	LOUVER SIDE SUPPORT RH BLACK 750	
29	1	10297Z	LOUVER SIDE SUPPORT LH BLACK 750	
30	2	10752	LOUVER HINGE KIT	KIT CONTAINS 1 x UPPER AND 1 x LOWER HINGE
31				
32	1	10750	DOOR LATCH KIT	CONTAINS 4 x LATCHES
33	1	10782	COMB CHAMBER GLASS ASSEMBLY RHFE750	
34	2	10783	LOUVER SIDE ASSEMBLY RHFE750	
35	2	10784	SCREEN KIT RHFE750	
36	1	10785	WAX ELEMENT ASSEMBLY RHFE750	
37	1	10786	MAIN PCB BRACKET ASSEMBLY RHFE750	
38	1	10418	BRACKET REAR BURNER SUPPORT RHFE	
39	1	10255	BRACKET RECEIVER RHFE750	
40	1	10226	BRACKET INJECTOR SUPPORT RHFE750	
41	3	10462	PACKING INJECTOR BLOCK	
42	2	10753	INJECTOR BLOCK KIT REAR RHFE750	
43	1	10754	INJECTOR BLOCK KIT FRONT RHFE750	
44	2	7185	INJECTOR 1.45	NG **
44	2	5436	INJECTOR 0.9	LPG **
45	1	5425	INJECTOR 1.75	NG **
45	1	5548	INJECTOR 1.05	LPG **
46	1	10413	BRACKET TRANSFORMER MOUNT RHFE	
47	1	10275A	BURNER BRAY 450 NG + BUSH	NG **
47	1	10277A	BURNER BRAY 450 LP Ø5.0	LPG **

** Always refer to the data plate for correct information.

Parts List

ITEM	QTY	PART NO.	DESCRIPTION	COMMENTS
48	2	10359F	BURNER ASSEMBLY BRAY 250 Ø3.0 x 2	NG LEFT AND RIGHT **
48	1	10359B	BURNER ASSEMBLY BRAY 250 Ø6.0 x 2	LPG LEFT ONLY **
48	1	10359G	BURNER ASSEMBLY BRAY 250 Ø6.5 x 2	LPG RIGHT ONLY **
49	1	10764	PILOT ASSEMBLY RHFE750	
50	1	10772	PILOT ELECTRODE KIT RHFE750	INCLUDES DOUBLE ELECTRODE, FLAME ROD AND CLAMPS
51	1	10419	BRACKET REAR BURNER CLAMP RHFE	
52	1	10212	PANEL BURNER SURROUND REAR BLACK	
53	1	10549	PANEL BURNER SURROUND FRONT BLACK	
54	1	10760	AERATION PLATE SET RHFE750 NG US	NG **
54	1	10761	AERATION PLATE SET RHFE750 LPG US	LPG **
55	1	10757	LOG PIN SET RHFE US	6 x LONG PINS + SCREWS 4 x SHORT SCREWS
56	1	10215	PANEL AIR INLET COVER RHFE750	
57	2	10211	BRACKET BURNER EXP PLATE RHFE750	
58	1	7795	INJECTOR NG 62	NG **
58	1	7873	INJECTOR NG 35	LPG **
59	1	10272	PILOT CONVERTIBLE HOOD 3 FLAME	
60	1	10425	BRACKET CROSS LIGHTING RHFE NG	NG **
60	1	10426	BRACKET CROSS LIGHTING RHFE LPG	LPG **
61	1	10430	GAS SUPPLY TUBE PILOT B	
62	1	10787	REGULATOR ASSEMBLY RHFE750 7~13 mbar US	NG **
62	1	10788	REGULATOR ASSEMBLY RHFE750 15~25 mbar US	LPG **
63	1	10267	BRACKET REGULATOR MOUNT RHFE750	
64	1	6313	GAS TUBE RETAINER	
65	1	10441	GAS SUPPLY TUBE ASSEMBLY PILOT A	
66	1	10248	GAS SUPPLY TUBE FRONT RHFE750	
67	1	10247	GAS SUPPLY TUBE RR RHFE750	
68	1	10249A	GAS SUPPLY TUBE ASSEMBLY RL RH RHFE	
69	1	10249B	GAS SUPPLY TUBE ASSEMBLY RL LH R750	
70	1	10520	JOINER 8MM	
71	1	10756	O-RING KIT RHFE750	KIT INCLUDES 8 ASSORTED ORINGS AND INSTRUCTION SHEET
72				
73				
74	1	10774	GAS CON SUB ASSEMBLY RHFE750ETR	INCLUDES WIRING HARNESS
75	1	10518	TEST POINT CC US RHFE750ETR	
76	1	10355	US LOG SET NZ/AU RHFE750ETR US	
77	1		FRONT HEAT EXCHANGER ASSEMBLY	NON SERVICEABLE PART
78	1		HEAT EXCHANGER REAR RHFE750	NON SERVICEABLE PART
79	1	10227	BRACKET HEAT EXCHANGER TOP R750	
80	1	10794	COMBUSTION FAN ASSEMBLY RHFE750 US	INCLUDES THERMISTOR (134)
81	1	10446	FLUE PIPE CONDENSATE US	
82	1	10440	BRACKET COMB FAN EXHAUST RHFE750	
83	1	4326	EXHAUST AIR SIDE	
84	1	10279	EXHAUST ELBOW RHFE750ETR	
85	1	10270	EXHAUST STRAIGHT RHFE750ETR	
86	1	10478	CLAMP FLUE 50MM	
87	1	10530	FLUE ASSEMBLY RHFE750ETR	
88	1	10550	BRACKET FLUE RETAINER RHFE750ETR	
89	1	10234	AIR INLET BOX FRONT RHFE750ETR	

** Always refer to the data plate for correct information.

Parts List

ITEM	QTY	PART NO.	DESCRIPTION	COMMENTS
90	1	10271	PACKING FOR AIR INLET BOX	
91	1	10278	PACKING COMB FAN RHFE750ETR	
92	1	10796	AIR INLET ASSEMBLY RHFE750 US	
93	1	10349	AIR INLET HOSE	
94	1	4328	AIR INLET ELBOW B 50x50	
95	1	10330	HOSE SS 10 530 3/8SAE RHFE750	
96	1	10567	VALVE 3/8" SAEM-FLARE 1/2"NPTF	
97	1	10797	PCB ASSEMBLY RHFE750	
98	1	10768	FLAME ROD KIT RHFE750	CONTAINS 3 x FLAME RODS
99	1	10770	FLAME ROD BRACKET KIT RHFE750	CONTAINS 3 x BRACKETS
100	1	10792	CONVECTION FAN ASSEMBLY RHFE750 US	
101	1	10769	FLAME ROD SLEEVE KIT RHFE750	CONTAINS 3 x SLEEVES
102	1	10798	RECEIVER ASSEMBLY RHFE750	
103	1	10765	CONTROL PCB KIT RHFE750	CONTAINS 4 x PCB SPACERS
104	1	10771	BODY PLUG KIT RHFE750	CONTAINS 2 x BODY PLUGS
105	1	10253	PCB DISPLAY RHFE750ETR	
106	1	10256	PRESSURE SWITCH RHFE US	
107	1	10528	TUBE SILICON BLACK 7x4x1200	
108	1	10527	TUBE SILICON CLEAR 6x3x700	
109	1	10377	ELECT JUNCTION BOX BODY R750	
110	1	7972	ELECTRICAL JUNCTION BOX COVER	
111	1	9073	SCREW M4 X 20 PAN PHIL ZINC	
112	1	9233	WASHER SPRING M4 ZP	
113	2	9186	NUT M4 ZP	
114	2	9231	WASHER FLAT M4 ZP	
115	1	10378	HARNESS FUSED POWER USA RHFE	
116	1	10281	HARNESS FLAME ROD	
117	1	10282	HARNESS THERMISTOR	
118	1	10283	HARNESS OHS THERMAL FUSE	
119	1	10284	HARNESS CONTROL PANEL	
120	1	10285	HARNESS RECEIVER	
121	1	10286	HT LEAD	
122	1	10289	HARNESS COMB FAN	
123	1	10348	HARNESS MAIN RHFE750ETR	
124	1	10480	HARNESS COMB FAN SPEED	
125	1	10539	HARNESS PRESSURE SW US	
126	1	10507	HARNESS COMB FAN THERMISTOR FLY	
127	1	10767	GROMMET KIT RHFE750	CONTAINS 4 x Ø4 AND 2 x 2Ø1.8 HOLED GROMMETS
128				
129	1	10776	PLASTIC CLIP KIT RHFE750	
130	1	10766	SPARKER KIT RHFE750	INCLUDES PCB SPACERS
131	1	10773	CONTROL PAN COVER KIT RHFE750	INCLUDES BUTTON
132	1	10259	TRANSFORMER US RHFE750ETR	
133	1	10563	CABLE CLAMP RHFE750 USA	
134	1	10506	HARNESS COMB FAN THERMISTOR	ALSO COMES AS PART OF COMBUSTION FAN
135	1	10435	TUBE CONDENSATE LOWER	
136	1	10438	TUBE SILICON BLACK 7X4X80	
137	1	10465	CLIP HOSE 6mm	
138	1	10531	CONDENSATE TRAY 380mm	

** Always refer to the data plate for correct information.

Consumer Support

Warranty Information

The installer is responsible for your heater's correct installation.

Please complete the information below to keep for your records:

Purchased from: _____

Address: _____ Phone: _____

Date of Purchase: _____

Model No.: _____

Serial No.: _____

Installed by: _____ Installer's License No.: _____

Address: _____ Phone: _____

Date of Installation: _____

Limited Warranty

RHFE-750ETRA Direct Vent Fireplace

What is covered?

This Warranty covers any defects in materials or workmanship, subject to the terms stated below. This Warranty extends to the original purchaser and subsequent transferees, but only while the product remains at the site of the original installation. This Warranty only extends through the first installation of the product and terminates if the product is moved or reinstalled at a new location.

How long does coverage last?

RHFE-750ETRA Warranty (from date of purchase)	
Heat Exchanger	10 years
All other Parts and Components	2 years
Reasonable Labor	1 year

Limited Warranty - continued

What will Rinnai do?

Rinnai will repair any part or component that is defective in materials or workmanship as set forth as follows. All repair parts must be genuine Rinnai parts. All repairs or replacements must be performed by an individual or servicing company that has been authorized by Rinnai.

Replacement of the product may be authorized by Rinnai only. Rinnai does not authorize any person or company to assume for it any obligation or liability in connection with the replacement of a product. If Rinnai determines that repair of a product is not possible, Rinnai will replace the product with a comparable product, at Rinnai's discretion.

How do I get service?

You must contact a state qualified/licensed contractor or authorized service provider for the repair of a product under this Warranty. For the name of a qualified/authorized service provider please contact your place of purchase, visit the Rinnai website (www.rinnai.us), call Rinnai at 1-800-621-9419 or write to Rinnai at 103 International Drive, Peachtree City, Georgia 30269.

Proof of purchase is required to obtain warranty service. You may show proof of purchase with a dated sales receipt, or by registering within 30 days of purchasing the product. To register your appliance, please visit www.rinnai.us. For those without internet access, please call 1-866-RINNAI1 (745-6241). Receipt of Registration by Rinnai will constitute proof-of-purchase for this product. However, Registration is not necessary in order to validate this Warranty.

What is not covered?

This Warranty does not cover any failures or operating difficulties due to the following:

- accident, abuse, or misuse
- alteration
- misapplication
- force majeure
- improper installation (such as but not limited to, condensate damage, improper venting, incorrect gas type, or incorrect gas pressure)
- improper conversion (including conversions for inventory adjustment)
- improper maintenance (such as but not limited to vent blockage)
- incorrect sizing
- any other causes other than defects in materials or workmanship

This Warranty does not apply to any product whose serial number or manufacture date has been defaced.

Limitation on warranties

No one is authorized to make any other warranties on behalf of Rinnai America Corporation. Except as expressly provided herein, there are no other warranties, expressed or implied, including, but not limited to warranties of merchantability or fitness for a particular purpose, which extend beyond the description of the warranty herein and further Rinnai shall not be liable for indirect, incidental, special, consequential or other similar damages that may arise, including lost profits, damage to person or property, loss of use, inconvenience, or liability arising from improper installation, service or use. Some states do not allow the exclusion or limitation of incidental or consequential damages, so the above limitation may not apply to you.

Any implied warranties of merchantability and fitness arising under state law are limited in duration to the period of coverage provided by this limited Warranty, unless the period provided by state law is less. Some states do not allow limitations on how long an implied Warranty lasts, so the above limitation may not apply to you.

This Warranty gives you specific legal rights, and you may also have other rights which vary from state to state.

Ask about **Rinnai**[®]

Rinnai's other fine products

EXPERIENCE OUR INNOVATION™



Tankless Water Heaters

- Residential and Commercial Applications
- Continuous Hot Water
- ENERGY STAR[®] qualified models
- Up to 9.8 GPM
- Internal or External Installation
- Digital Temperature Control



Direct Vent Furnaces

- High Efficiency
- Cool-to-the-touch Cabinet
- Blower Included
- Vent Terminal A Included
- Gas Conversion Kit Included



Direct-Vent Fireplace, RHFE-750ETRA

- Up to 83% AFUE Energy Efficiency
- Zero-Clearance Installation
- Available in Four Options of Fronts
- Remotes and Fan Included
- Gas Conversion Kit Available



Hydronic Air Handler

- Designed for Use with Rinnai Systems
- Domestic Hot Water Priority
- Optional Programmable Thermostat
- Zero Clearance to Combustibles
- Accommodates Standard Cased-Coils



Boilers

- Residential and Commercial Applications
- ENERGY STAR[®] qualified models
- Up to 96.5% AFUE efficiency
- Compact wall mounted design
- ASME accredited models



Condensing Tankless Water Heaters

- Residential and Commercial Applications
- ENERGY STAR[®] qualified models
- Up to 95% thermal efficiency
- Internal or External Installation
- Pair up with the Rinnai Air Handler for efficient home heating



Rinnai Impression - Outdoor Fireplace

- Options include one-sided open, two-sided open, and freestanding.
- No electrical requirements
- Propane or convertible to natural gas with conversion kit provided
- Modular construction offers design flexibility

Register your product at www.rinnairegistration.com or call 1-866-RINNAI1 (746-6241)

For information on Rinnai's products contact
Rinnai America Corporation
103 International Drive
Peachtree City, GA 30269
TOLL FREE: 1-800-621-9419
FAX: 678-829-1666
www.rinnai.us

Manufactured by
Rinnai New Zealand LTD
105 Pavilion Drive, Airport Oaks
Mangere, Manukau City
New Zealand

15237 (Issue G)

Free Manuals Download Website

<http://myh66.com>

<http://usermanuals.us>

<http://www.somanuals.com>

<http://www.4manuals.cc>

<http://www.manual-lib.com>

<http://www.404manual.com>

<http://www.luxmanual.com>

<http://aubethermostatmanual.com>

Golf course search by state

<http://golfingnear.com>

Email search by domain

<http://emailbydomain.com>

Auto manuals search

<http://auto.somanuals.com>

TV manuals search

<http://tv.somanuals.com>