

Rubbermaid®

5L10

Congratulations and thank you for purchasing a Rubbermaid storage building.

BEFORE YOU BEGIN – BUILDING CODES

Be sure to check your local building codes, ordinances and restrictions, and applicable neighborhood governances.

BEFORE YOU BEGIN – SURFACE PREPARATION

To ensure proper assembly and performance your shed needs to be built on a solid, level surface. A concrete or patio surface, or a treated-wood platform is recommended.

BEFORE YOU BEGIN – LOCATION

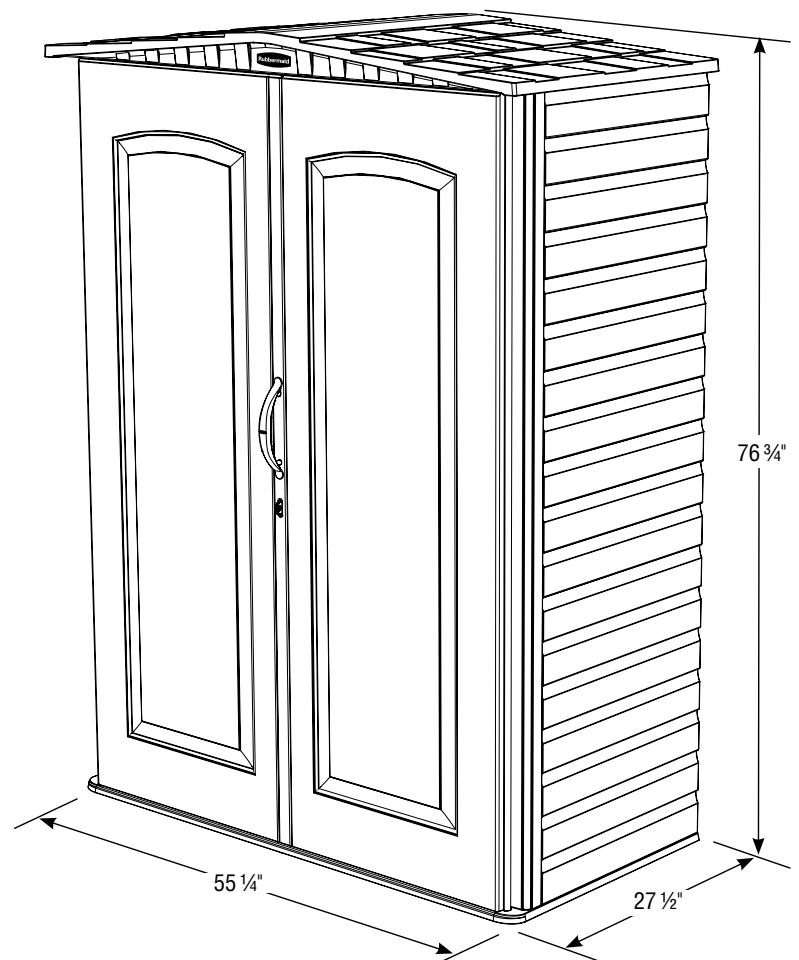
When choosing a location in your yard make sure you choose an area with easy access and one that provides proper drainage for water to run away from the shed location.

BEFORE YOU BEGIN – PREASSEMBLY

Thoroughly review all assembly steps (it is important that the steps are followed in the correct order). Review the parts list and make sure that no parts are missing.

IMPORTANT – DO NOT RETURN TO THE STORE

For assistance with your Rubbermaid Storage Building or for additional product information call our toll-free Consumer Service number: **1-888-895-2110**
M–F: 8:30 a.m. to 5:00 p.m. EST
or visit us online at: www.rubbermaid.com.

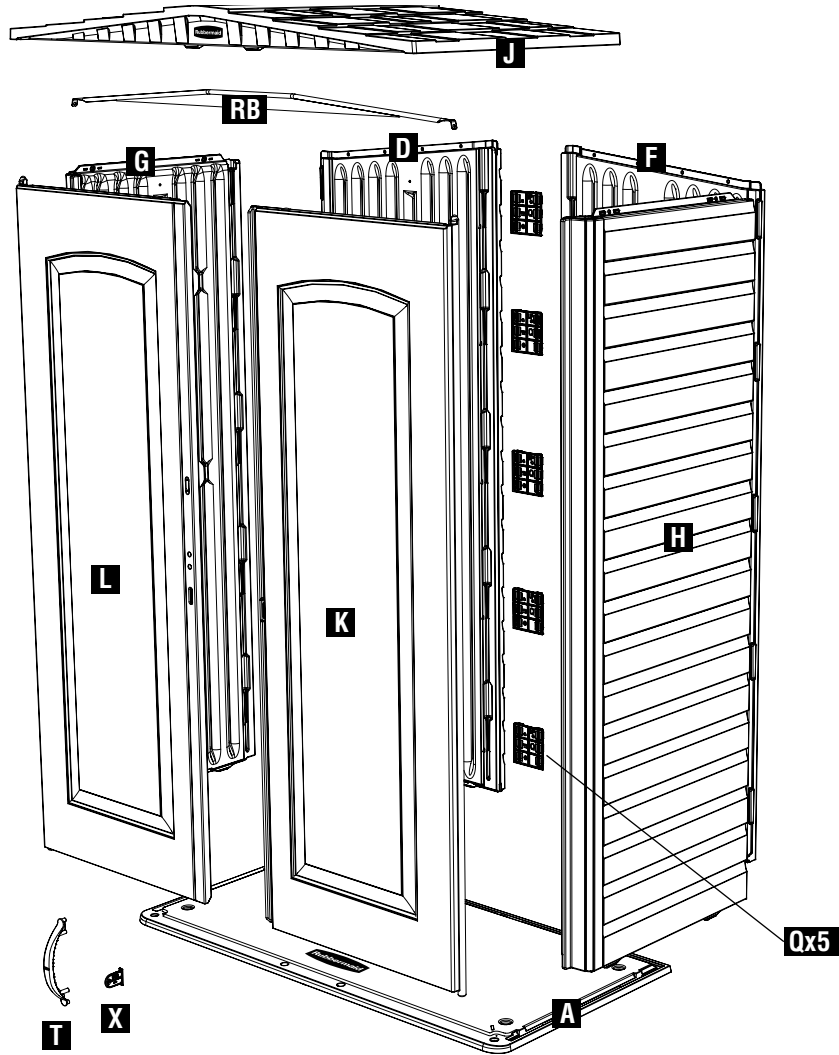


Installation Steps:

- 1. Site Preparation**
- 2. Floor**
- 3. Walls**
- 4. Roof & Doors**
- 5. Finishing**

Note: Be sure to keep this instruction manual and your original store receipt to ensure our Consumer Service Department can accurately and quickly assist you if necessary.

1780068



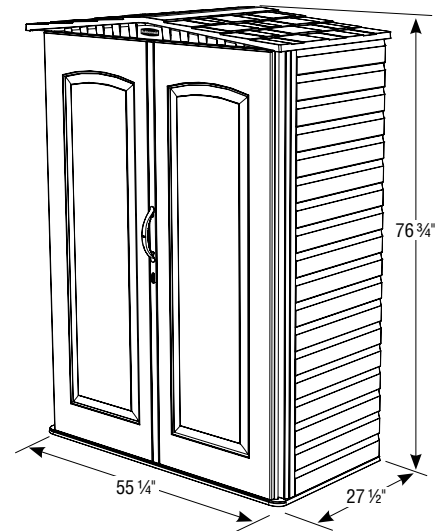
	Description	Part Number	Assembly Letter	Quantity
Floor	Front Floor	5L01	A	1
	Roof Floor	5L08	J	1
Walls	Left Back	5L04	D	1
	Right Back	5L05	F	1
	Front Left Side	5L02	G	1
	Front Right Side	5L03	H	1
	Wall Connector	5H75	Q	5
Doors	Left Door	5L06 / 5L41	L	1
	Right Door	5L07 / 5L42	K	1
	Door Handle	5L74	T	1
	Lock Hasp	5F58	X	1
	Roof	Roof Brace	5L36	RB
Hardware	#14 x 3/4" Combo Pan Head Screw		AA	24*
	Accessory Bracket	5H88		4

* Extra screws are supplied

Required Tools	
Safety Glasses	Phillips Bit
Gloves	Drill
Utility Knife	1/8" Drill Bit
Rubber Mallet	Liquid Soap
Phillips Screwdriver	(2) Step Stools/Stepladders

Two Person Assembly

5L10



PREASSEMBLY:

- Review ALL assembly steps before beginning construction.
- Review the parts list and make sure that no parts are missing.

NOTE:

- To simplify assembly and to ensure proper engagement of all components, apply a mild detergent to dovetail and snap fits before assembling.

CAUTIONS

CAUTION: Always use gloves when using a utility knife.

CAUTION: Always use eye protection/safety glasses during assembly.

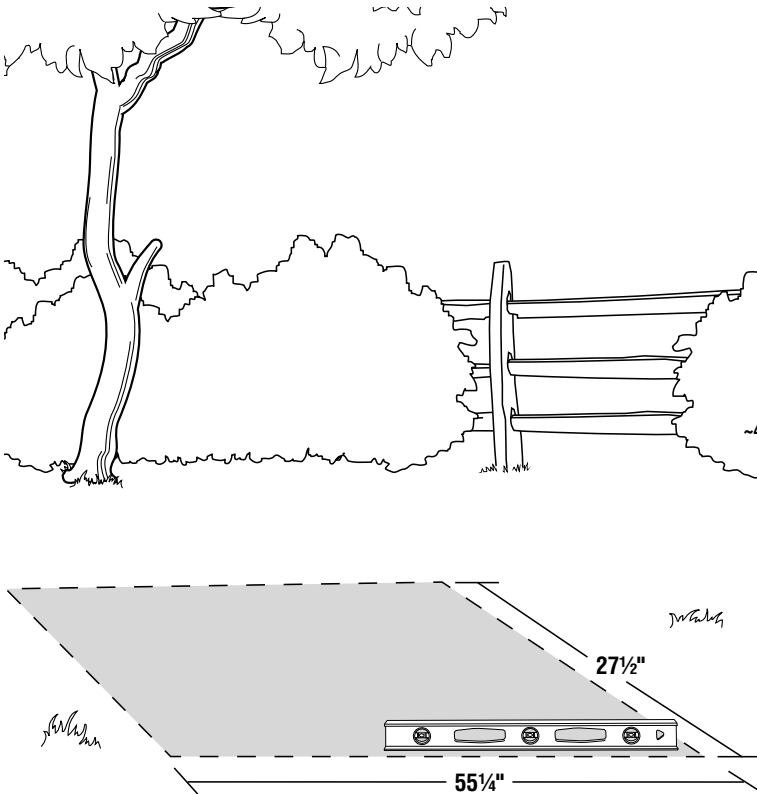
CAUTION: When installing screws, do not overtighten.

CAUTION: Drill only through initial panel wall, unless otherwise indicated.

CARE & USE

- Shed can be cleaned with water and mild detergent as necessary. **DO NOT USE ABRASIVE DETERGENTS, MATERIALS OR CLEANING TOOLS.**
- To maximize your shed's performance, remove excessive snow and/or leaf accumulation from the roof.
- In the event of severe weather, please disassemble and store in a secure location.

1.0 Site Preparation

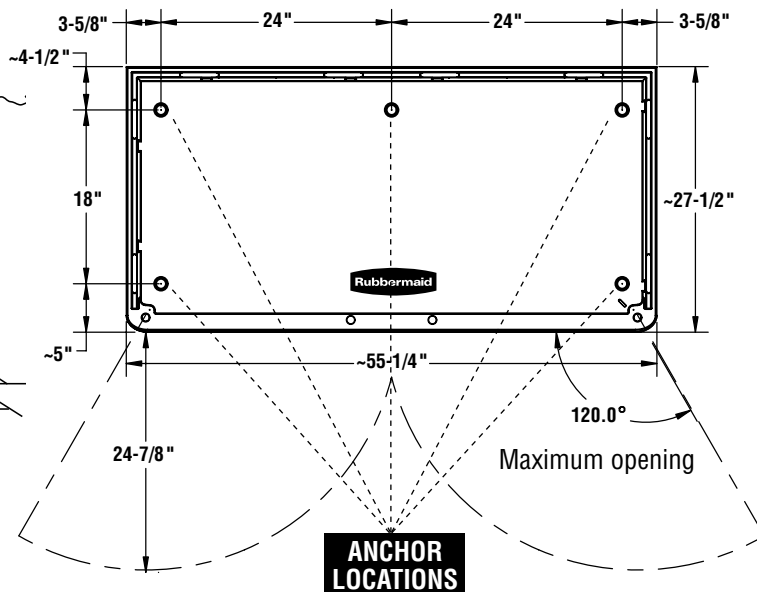


FLOOR PLAN:

Size the construction site to fit the entire floor.

OPTIONAL STEP:

If desired, recessed anchor locations (5 places) can be used to anchor the shed floor to a foundation after you have constructed one.

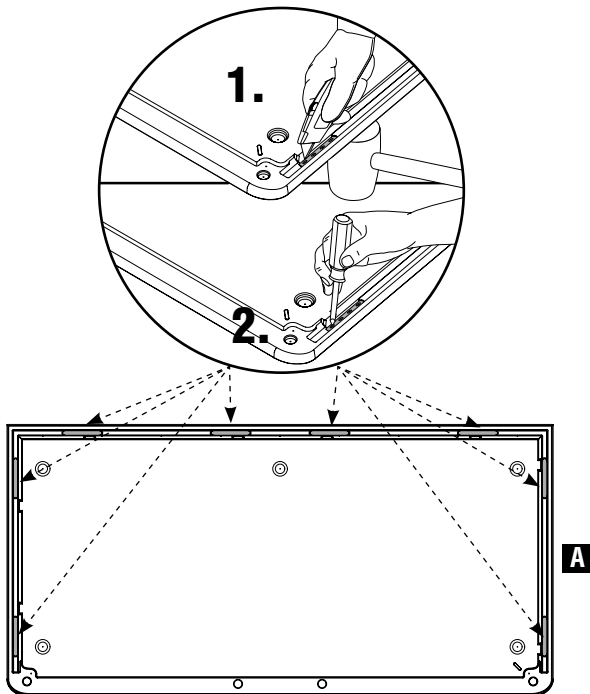


Build a solid, level surface for the shed foundation. Consult your local building authority for ordinances, restrictions, or permits required before building any structure at your home.

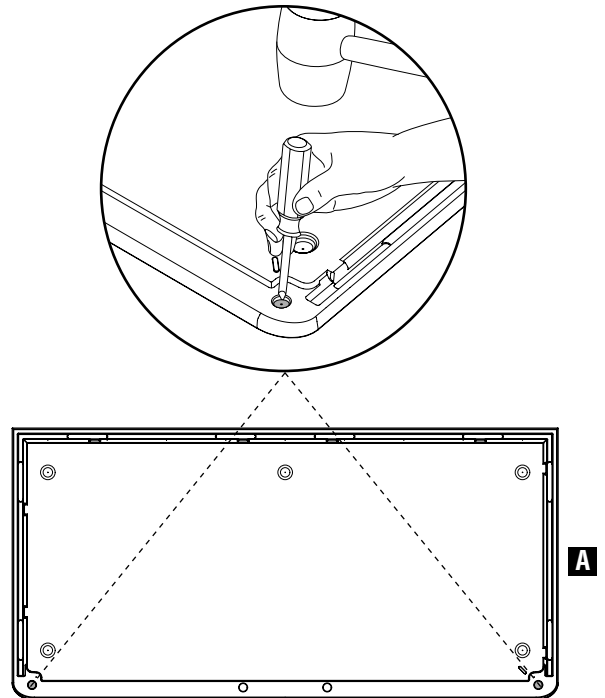
Note: Minimum dimensions for foundations shown.

2.0 Floor Installation

- a.** Using a utility knife, cut the long side of each wall slot tab and then use a rubber mallet and screwdriver to knock it out 8 places on **Front Floor (A)**.

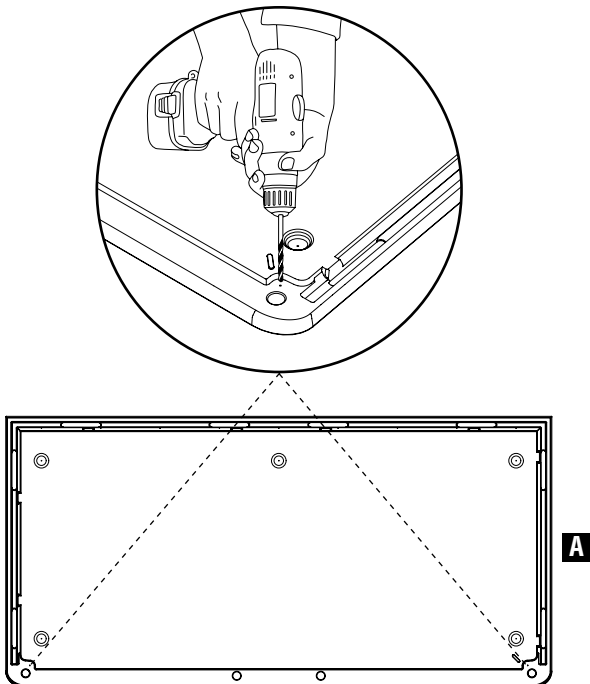


- b.** Using a rubber mallet and screwdriver, knock out the tabs for the door hinge, 2 places on **Front Floor (A)**.

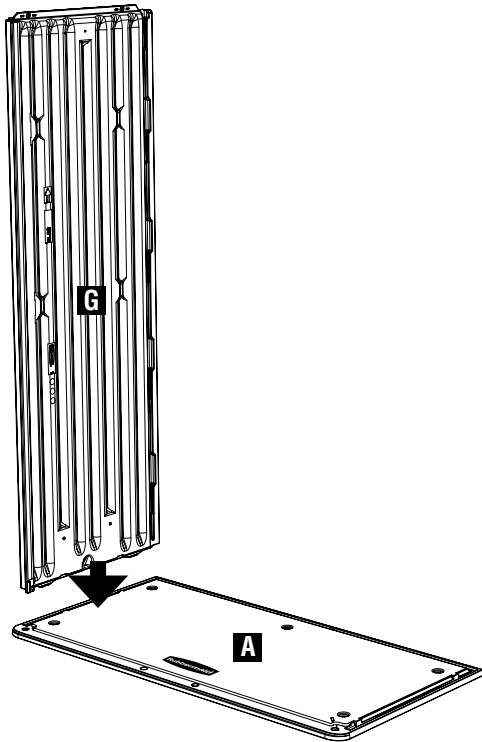


- c.** Drill pilot hole through top surface of floor, 2 places on **Front Floor (A)**.

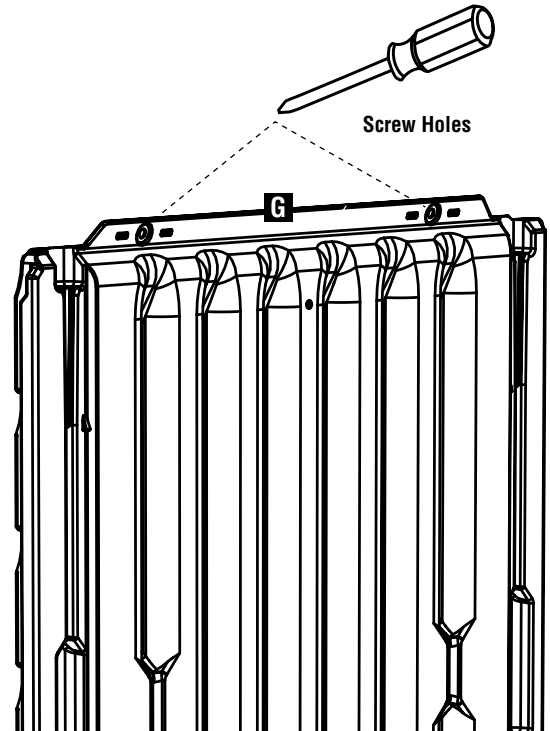
CAUTION: Drill through top surface of floor only!



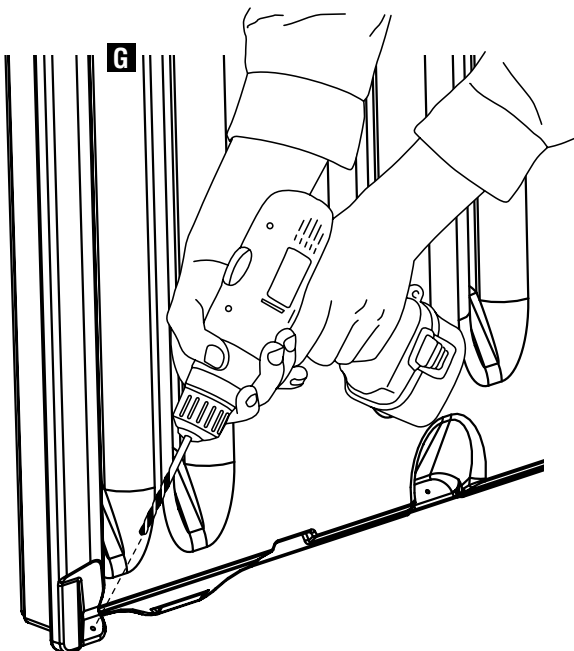
3.0 Wall Panel G Installation



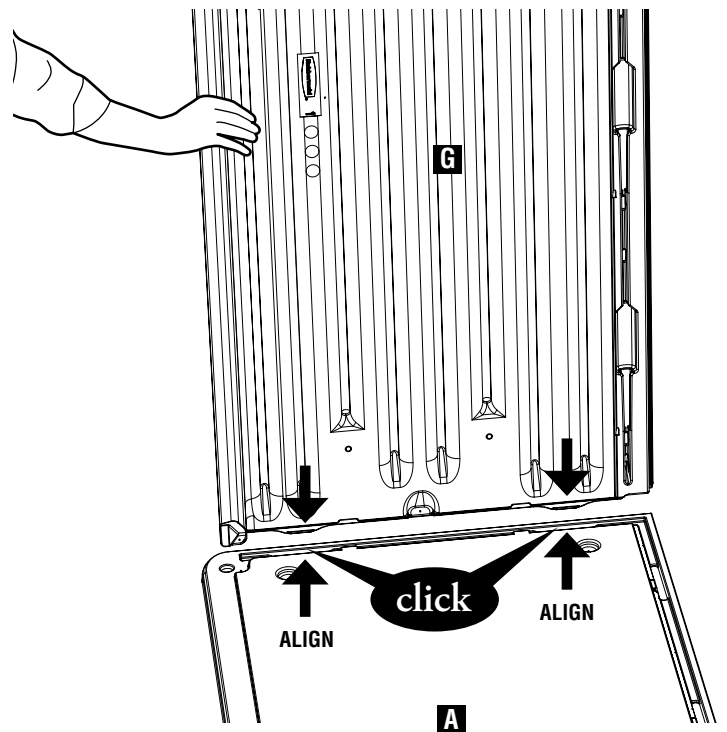
- a.** Using a screwdriver, punch out the screw holes on the top of **Front Left Side (G)** 2 places.



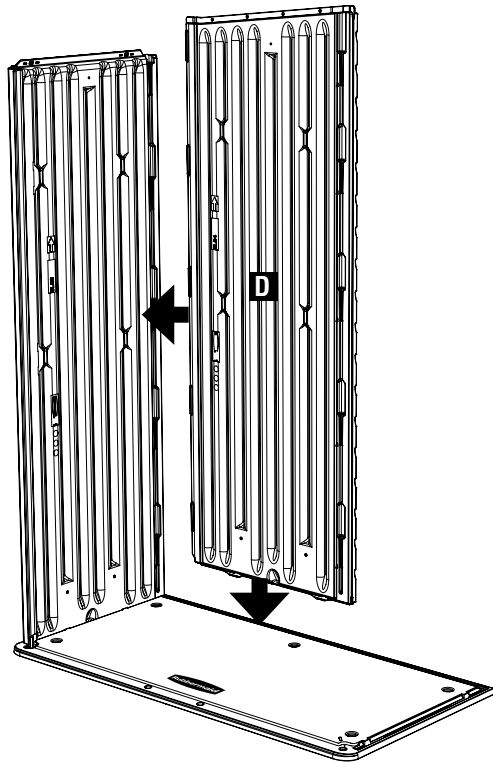
- b.** Drill a pilot hole (using 1/8" drill bit) in front lower corner at location indicated by screw target.
Note: This pilot hole is to be drilled through both walls.



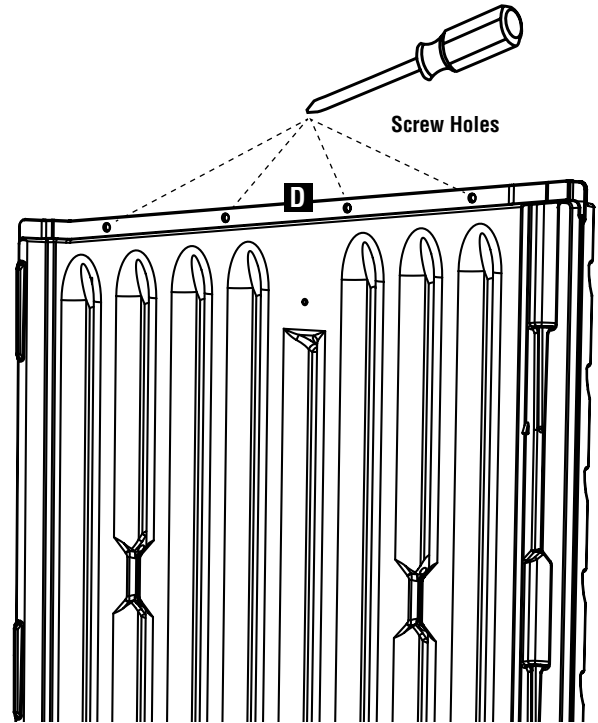
- c.** Snap **Front Left Side (G)** into **Front Floor (A)**. Hold **Front Left Side (G)** upright to prevent it from falling (until **Left Back (D)** is installed).



3.1 Wall Panel D Installation

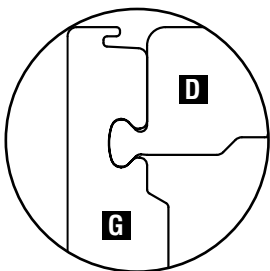


a. Using a screwdriver, punch out the screw holes on the top of **Left Back (D)** 4 places.

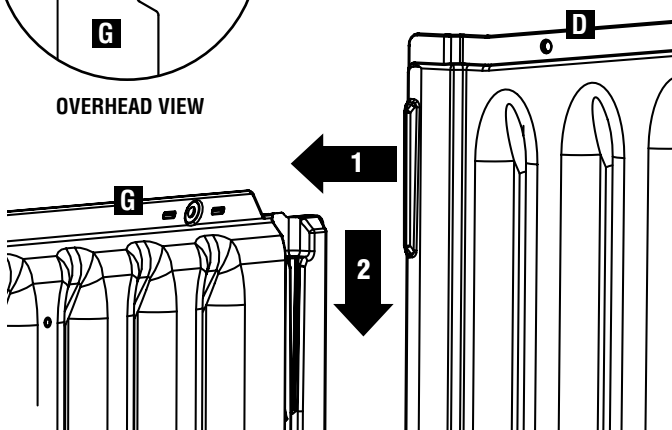


b. Connect **Left Back (D)** into dovetails of **Front Left Side (G)**.

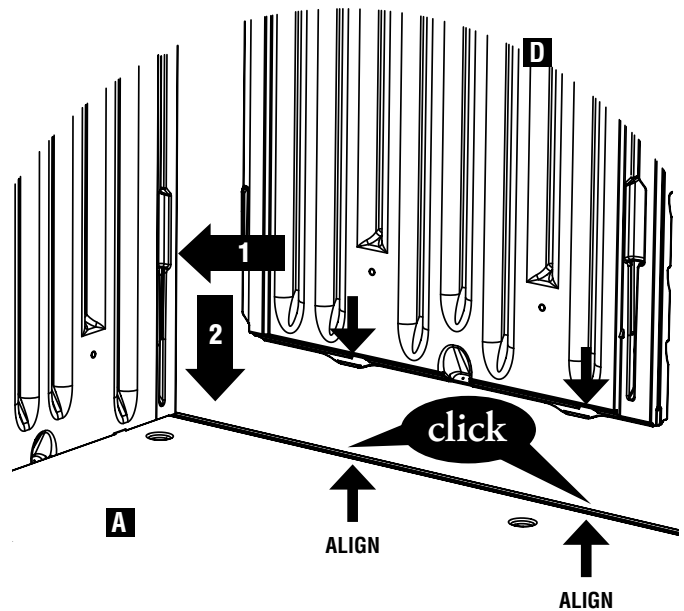
HELPFUL HINT: Lubricate dovetails with liquid soap.



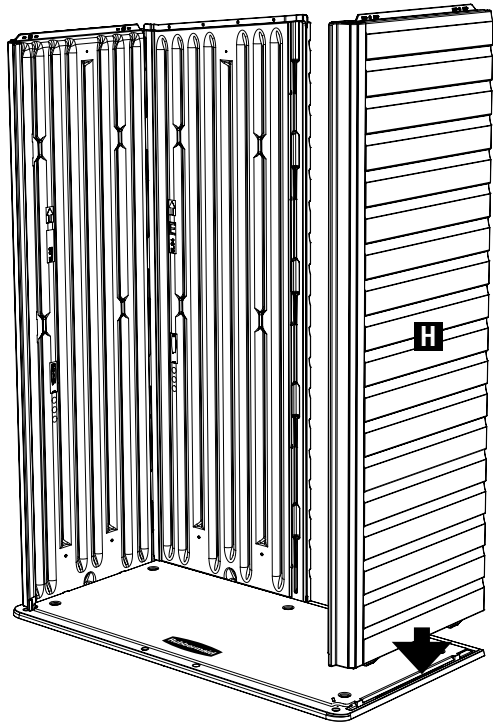
OVERHEAD VIEW



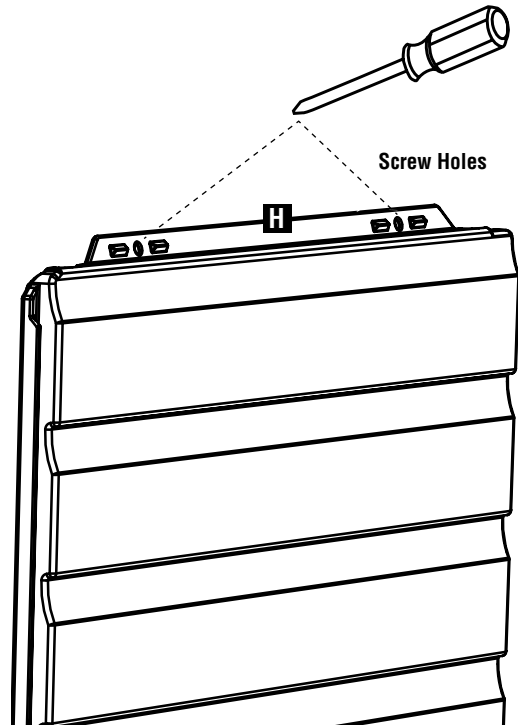
c. Engage snaps on bottom of **Left Back (D)** into **Front Floor (A)**.



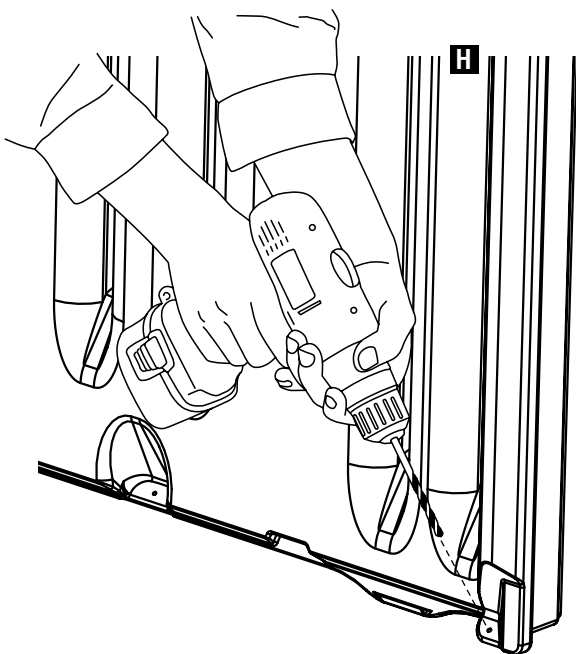
3.2 Wall Panel H Installation



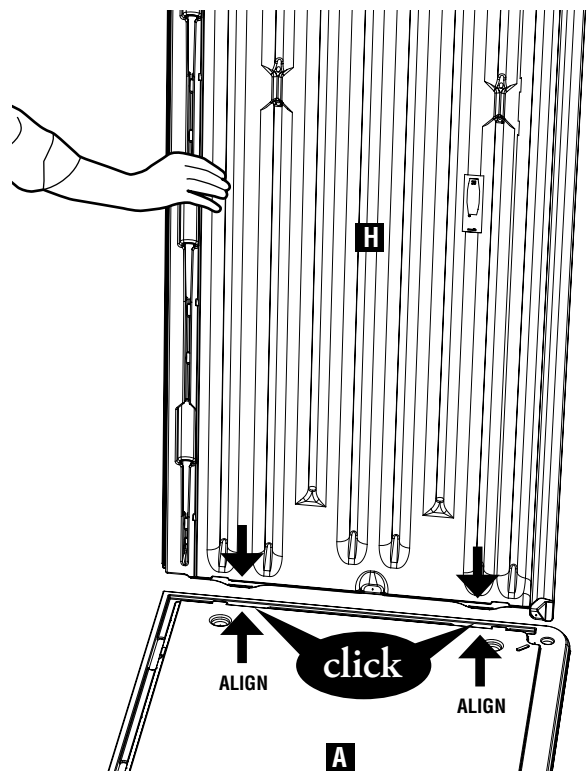
- a.** Using a screwdriver, punch out the screw holes on the top of **Front Right Side (H)** 2 places.



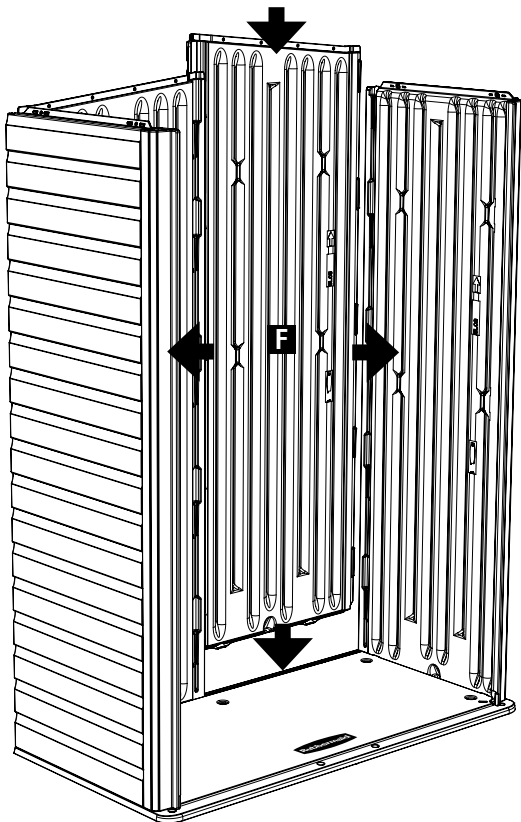
- b.** Drill a pilot hole (using 1/8" drill bit) in front lower corner at location indicated by screw target.
Note: This pilot hole is to be drilled through both walls.



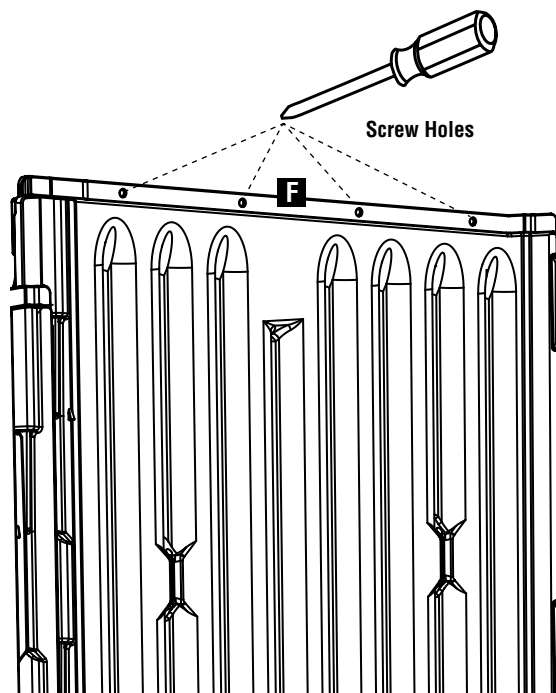
- c.** Snap **Front Right Side (H)** into **Front Floor (A)**. Hold **Front Right Side (H)** upright to prevent it from falling (until **Right Back (F)** is installed).



3.3 Wall Panel F Installation

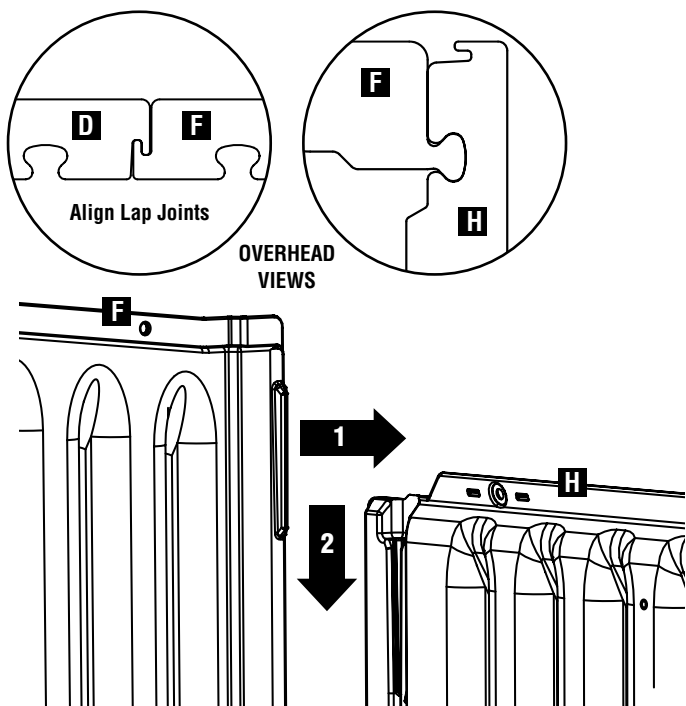


- a.** Using a screwdriver, punch out the screw holes on the top of **Right Back (F)** 4 places.

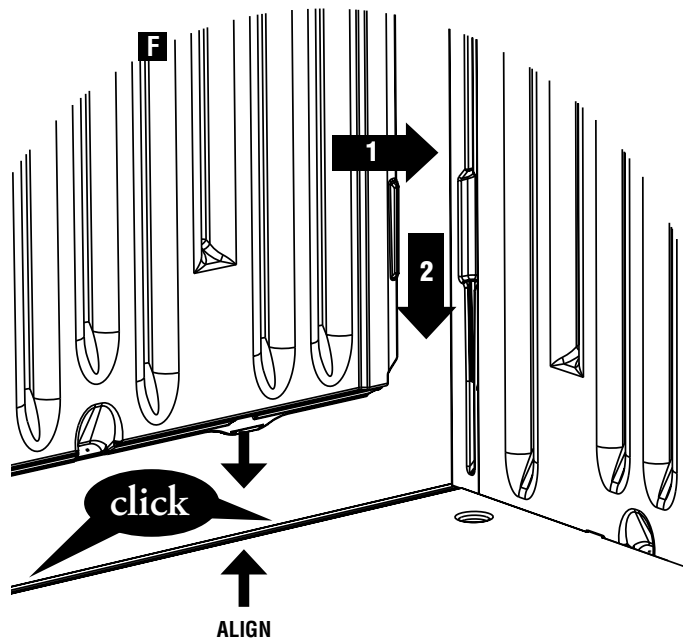


- b.** Connect **Right Back (F)** onto dovetails of **Front Right Side (H)**.
Align the lap joint between **Left Back (D)** and **Right Back (F)**.

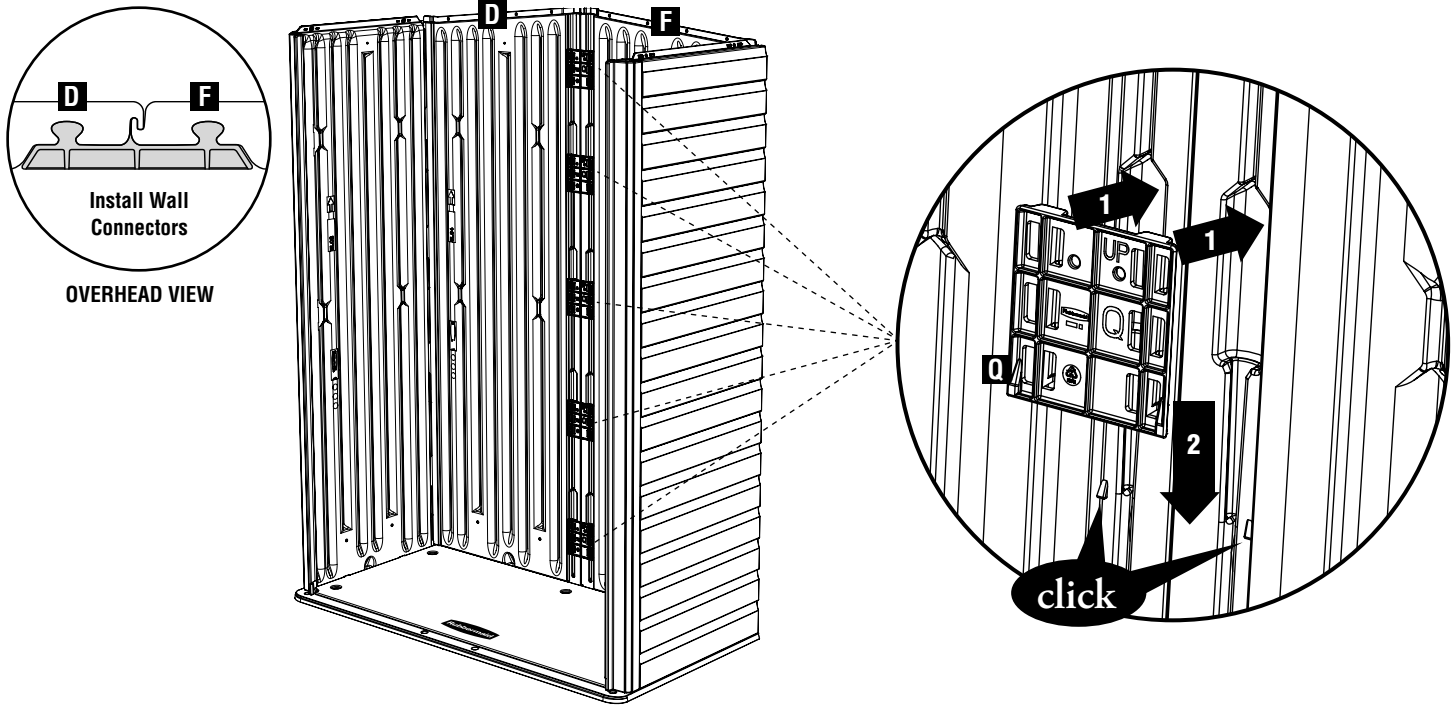
HELPFUL HINT: Lubricate dovetails with liquid soap.



- c.** Engage snaps on bottom of **Right Back (F)** into **Front Floor (A)**.

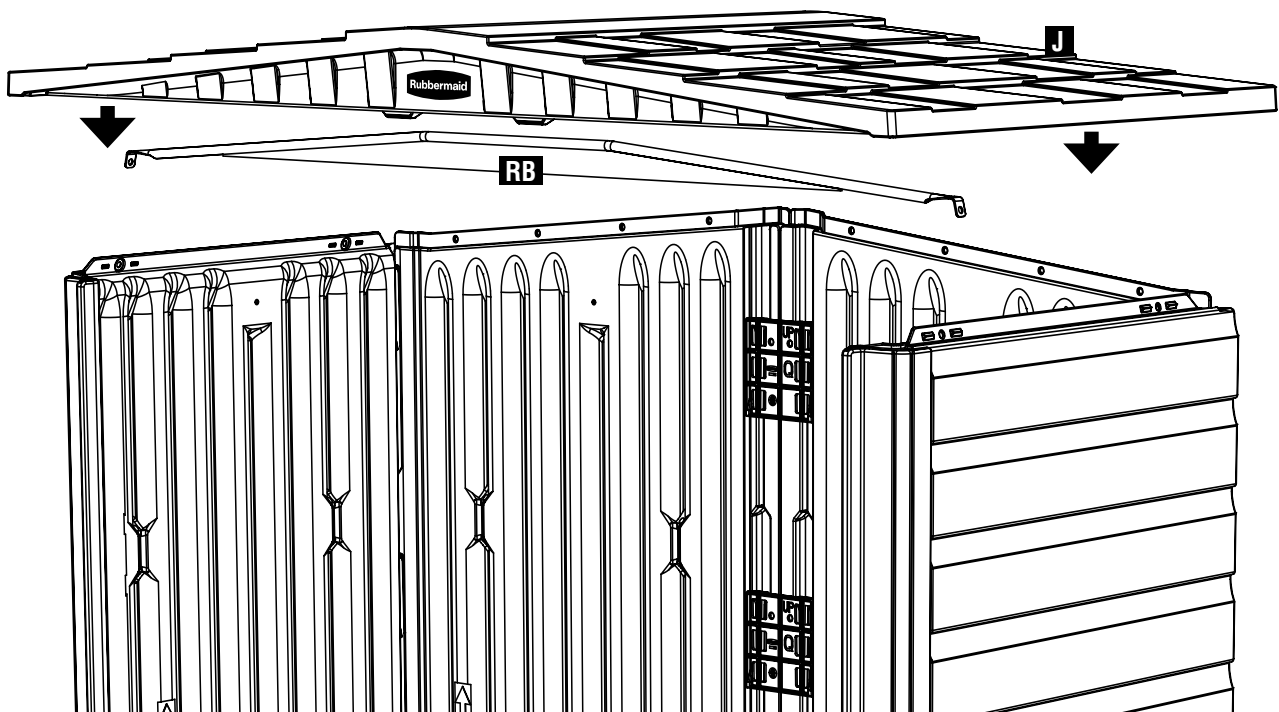


- d. Install **Wall Connector (Q)** 5 places, connecting **Left Back and Right Back Panels (D and F)**.
Position connectors in slots and slide down to snap in place.

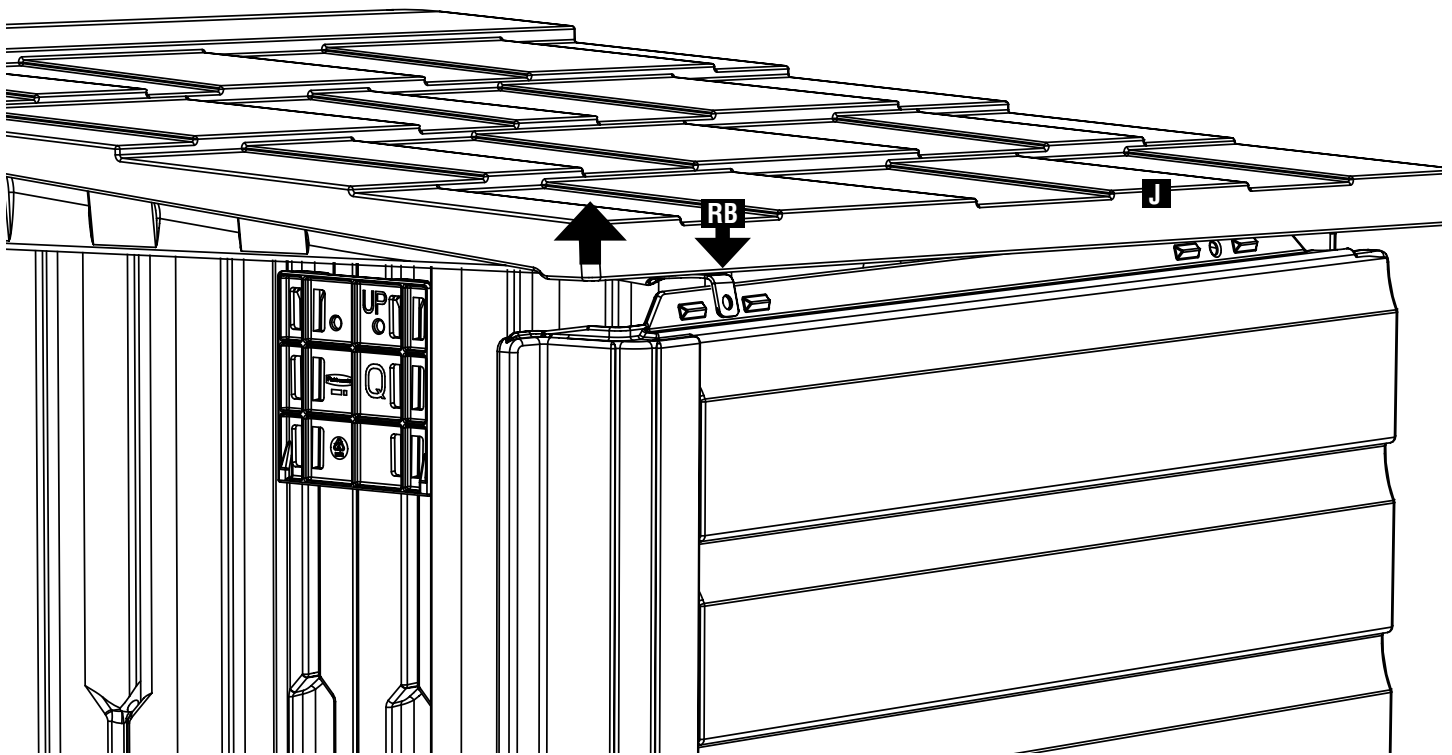


4.0 Roof Panel J & Door Installation

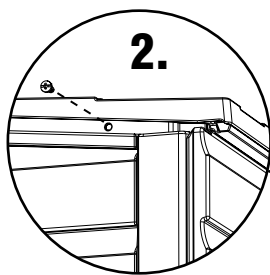
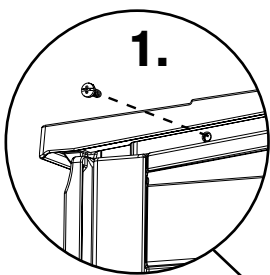
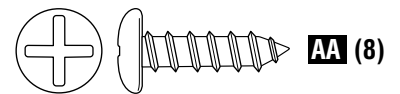
- a. Install **Front Roof (J)** onto side sections. Align tongues on top of side walls into grooves in roof.



- b.** Slightly raise front edge of roof enough to allow positioning of **Roof Brace (RB)** onto the side walls as shown.
Lower the roof onto the walls and align **Roof Brace (RB)** into pocket in **Front Roof (J)**.

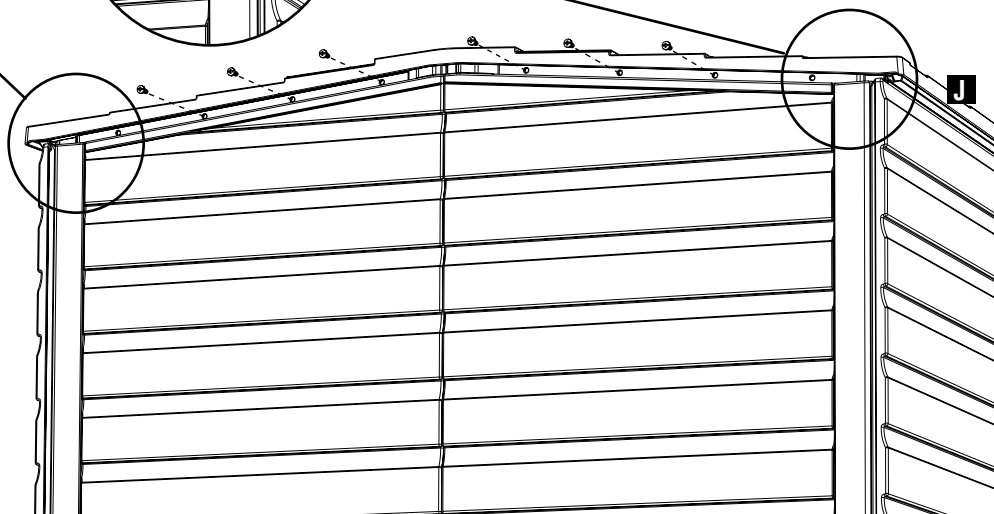


- c.** Ensure **Front Roof (J)** is positioned against the back wall tongues.
From outside the shed, install one **Screw (AA)** at each corner.
Hold the edge of the roof down firmly at the corners while installing each screw.
Install remaining screws into remaining locations of back walls.

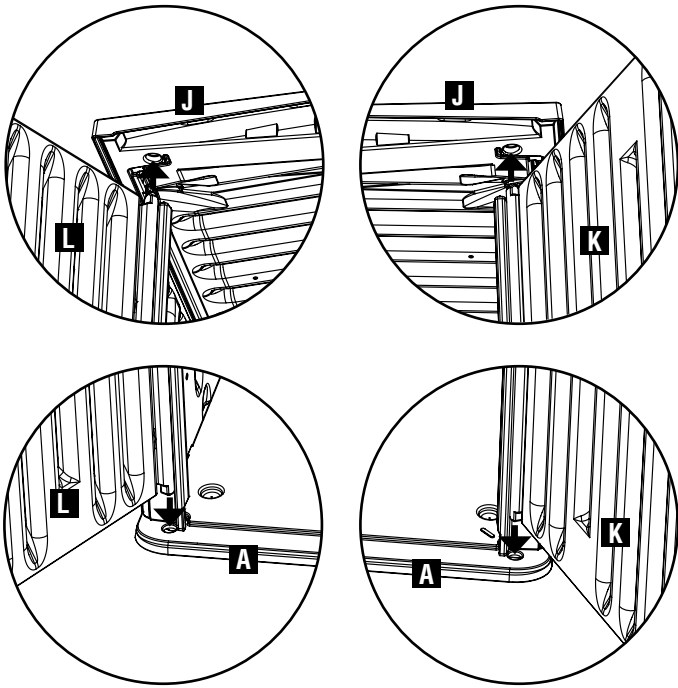


Helpful Hint: Installation is easier using a magnetic bit or starting screws with a manual screwdriver to get seated. Pilot holes also may be drilled using 1/8" bit.

3.



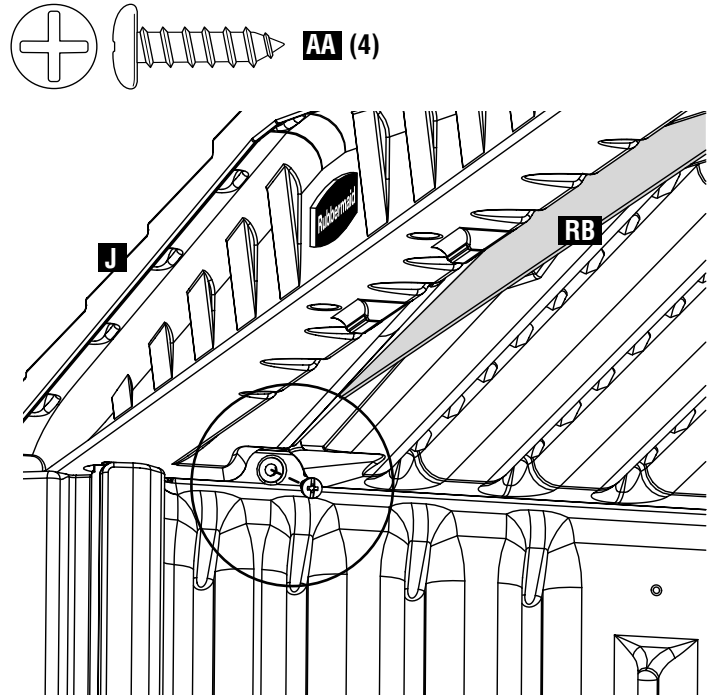
- d.** Install **Left Door (L)** and **Right Door (K)** into hinge openings of **Front Floor (A)** and hinge sockets in **Front Roof (J)**.
Note: Only raise front edge of roof enough to install the door hinge pins.



- e.** From inside the shed, install four **Screws (AA)** into the roof, two on each side wall.

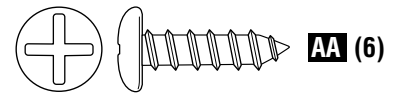
Note: The screws also have to go through the **Roof Brace (RB)** at each end to properly secure the roof!

A second person on the outside of the shed should hold down the edge of the roof firmly at each screw location.



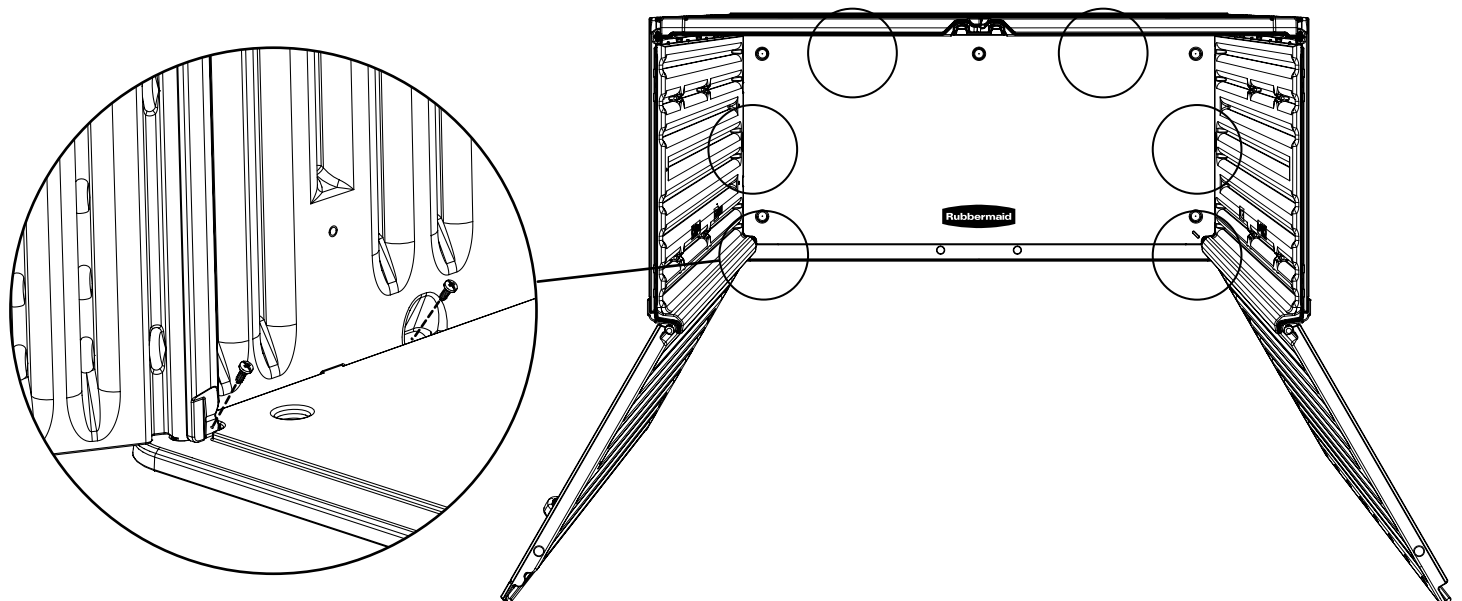
5.0 Finishing Installation

- a.** Install **Screws (AA)** into 6 locations shown at bottom of wall panels to secure walls to floor.



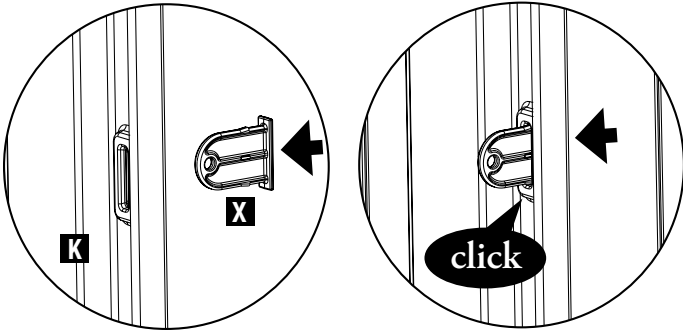
HELPFUL HINT: Pilot holes may be drilled for the screws.

CAUTION: Do not overtighten screws.

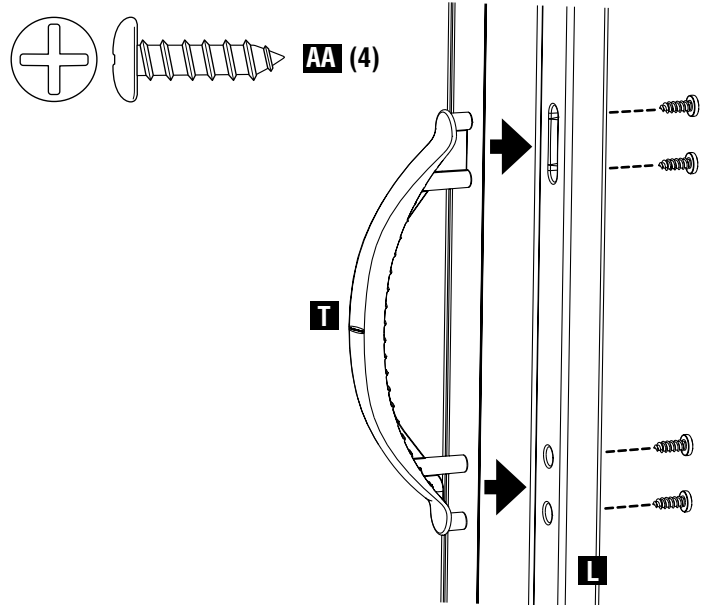


5.1 Door Finishing Installation

a. Install **Lock Hasp (X)** into opening on **Right Door (K)**.

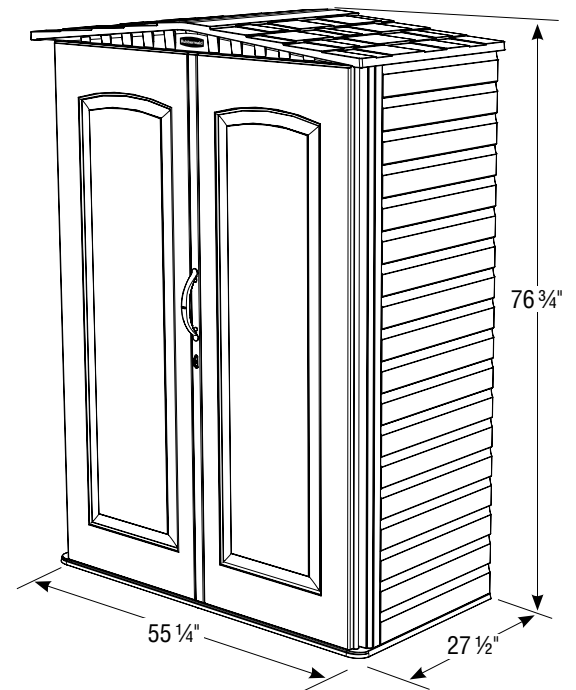


b. Install **Door Handle (T)** onto **Left Door (L)** using four **Screws (AA)**.



MAINTENANCE & SAFETY

- Periodically check shed to assure it remains stable and the site remains level.
- In areas of high winds it is recommended to anchor shed to platform or ground by holes in floor at designated location and secure with the proper fasteners (not included).
- Wash shed with garden hose or a mild detergent solution. Using an abrasive cleaner could damage your shed.
- Hot items such as recently used grills or fire pits should not be stored in the building.
- Heavy items should not be leaned against the walls, as this may cause distortion.
- Keep doors closed when not in use to prevent wind damage.
- Do not climb onto roof.
- Shed is not designed for habitation.



A **Newell Rubbermaid** Company

Printed in U.S.A.
2010 Rubbermaid Incorporated,
Huntersville, NC U.S.A. 28078-1801

Customer Service

Toll Free: 1-888-895-2110
M-F 8:30 a.m. to 5:00 p.m. EST

or visit us at www.rubbermaid.com

Free Manuals Download Website

<http://myh66.com>

<http://usermanuals.us>

<http://www.somanuals.com>

<http://www.4manuals.cc>

<http://www.manual-lib.com>

<http://www.404manual.com>

<http://www.luxmanual.com>

<http://aubethermostatmanual.com>

Golf course search by state

<http://golfingnear.com>

Email search by domain

<http://emailbydomain.com>

Auto manuals search

<http://auto.somanuals.com>

TV manuals search

<http://tv.somanuals.com>