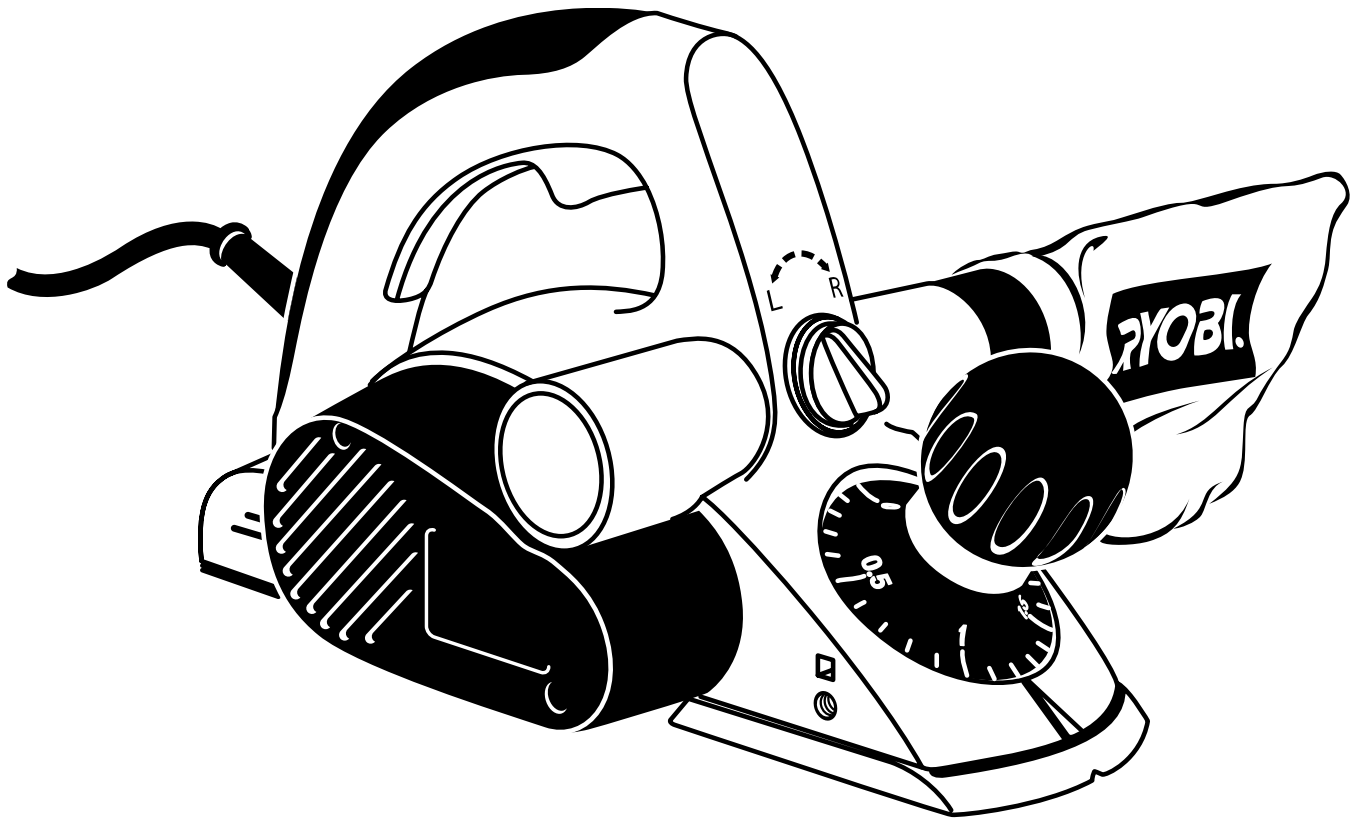


RYOBI®

OPERATOR'S MANUAL Power Planer Model No. HPL50 DOUBLE INSULATED



THANK YOU FOR BUYING A RYOBI POWER PLANER

Your new Power Planer has been engineered and manufactured to Ryobi's high standard for dependability, ease of operation, and operator safety. Properly cared for, it will give you years of rugged, trouble-free performance.



CAUTION: Carefully read through this entire operator's manual before using your new Power Planer.

Pay close attention to the Rules for Safe Operation, Warnings, and Cautions. If you use your Power Planer properly and only for what it is intended, you will enjoy years of safe, reliable service.

Thank you again for buying Ryobi tools.

SAVE THIS MANUAL FOR FUTURE REFERENCE

TABLE OF CONTENTS

■ Table of Contents / Introduction	2
■ General Safety Rules	3-4
■ Specific Safety Rules	4-5
■ Symbols	5-6
■ Features	7-8
■ Product Specifications	8
■ Operation	9-13
■ Maintenance	13-16
■ Parts Ordering / Service	18

INTRODUCTION

DOUBLE INSULATION

Your Ryobi power tool is double insulated. This means you are separated from the tool's electrical system by two complete sets of electrical insulation. This extra layer of insulation is intended to protect the user from electrical shock due to a break in the wiring insulation. All exposed metal parts are isolated from the internal metal motor components with protecting insulation. Double insulated tools do not need to be grounded.

IMPORTANT

Servicing of a tool with double insulation requires extreme care and knowledge of the system and should be performed only by a qualified service technician. For service we suggest you return the tool to your nearest **RYOBI AUTHORIZED SERVICE CENTER** for repair. When servicing use only identical Ryobi replacement parts.

WARNING:

The double insulated system is intended to protect the user from shock resulting from a break in the tool's internal wiring. Observe all normal safety precautions related to avoiding electrical shock.

WARNING:

Do not attempt to operate this tool until you have read thoroughly and understand completely all instructions, safety rules, etc. contained in this manual. Failure to comply can result in accidents involving fire, electric shock, or serious personal injury. Save operator's manual and review frequently for continuing safe operation, and instructing others who may use this tool.

WARNING:



The operation of any power tool can result in foreign objects being thrown into your eyes, which can result in severe eye damage. Before beginning tool operation, always wear safety goggles or safety glasses with side shields and a full face shield when needed. We recommend Wide Vision Safety Mask for use over eyeglasses or standard safety glasses with side shields. Always wear eye protection which is marked to comply with ANSI Z87.1.



Look for this symbol to point out important safety precautions. It means attention!!! Your safety is involved.

GENERAL SAFETY RULES



WARNING:


Read and understand all instructions. Failure to follow all instructions listed below, may result in electric shock, fire and/or serious personal injury.

SAVE THESE INSTRUCTIONS

Work Area

- **Keep your work area clean and well lit.** Cluttered benches and dark areas invite accidents.
- **Do not operate power tools in explosive atmospheres, such as in the presence of flammable liquids, gases, or dust.** Power tools may create sparks which may ignite the dust or fumes.
- **Keep bystanders, children, and visitors away while operating a power tool.** Distractions can cause you to lose control.

Electrical Safety

- **Double insulated tools are equipped with a polarized plug (one blade is wider than the other). This plug will fit in a polarized outlet only one way. If the plug does not fit fully in the outlet, reverse the plug. If it still does not fit, contact a qualified electrician to install a polarized outlet. Do not change the plug in any way.** Double insulation  eliminates the need for the three-wire grounded power cord and grounded power supply system.
- **Avoid body contact with grounded surfaces, such as pipes, radiators, ranges, and refrigerators.** There is an increased risk of electric shock if your body is grounded.
- **Don't expose power tools to rain or wet conditions.** Water entering a power tool will increase the risk of electric shock.
- **Do not abuse the cord. Never use the cord to carry the tools or pull the plug from an outlet. Keep cord away from heat, oil, sharp edges, or moving parts. Replace damaged cords immediately.** Damaged cords increase the risk of electric shock.
- **When operating a power tool outside, use an outdoor extension cord marked "W-A" or "W".** These cords are rated for outdoor use and reduce the risk of electric shock.

Personal Safety

- **Stay alert, watch what you are doing and use common sense when operating a power tool. Do not use tool while tired or under the influence of drugs, alcohol, or medication.** A moment of inattention while operating power tools may result in serious personal injury.
- **Dress properly. Do not wear loose clothing or jewelry. Contain long hair. Keep your hair, clothing, and gloves away from moving parts.** Loose clothes, jewelry, or long hair can be caught in moving parts.
- **Avoid accidental starting. Be sure switch is off before plugging in.** Carrying tools with your finger on the switch or plugging in tools that have the switch on, invites accidents.
- **Remove adjusting keys or wrenches before turning the tool on.** A wrench or a key that is left attached to a rotating part of the tool may result in personal injury.
- **Do not overreach. Keep proper footing and balance at all times.** Proper footing and balance enables better control of the tool in unexpected situations. Do not use on a ladder or unstable support.
- **Use safety equipment. Always wear eye protection.** Dust mask, nonskid safety shoes, gloves, hard hat, or hearing protection must be used for appropriate conditions.

Tool Use and Care

- **Use clamps or other practical way to secure and support the workpiece to a stable platform.** Holding the work by hand or against your body is unstable and may lead to loss of control.
- **Do not force tool. Use the correct tool for your application.** The correct tool will do the job better and safer at the rate for which it is designed.
- **Do not use tool if switch does not turn it on or off.** Any tool that cannot be controlled with the switch is dangerous and must be repaired.
- **Disconnect the plug from power source before making any adjustments, changing accessories, or storing the tool.** Such preventive safety measures reduce the risk of starting the tool accidentally.
- **Store idle tools out of the reach of children and other untrained persons.** Tools are dangerous in the hands of untrained users.

GENERAL SAFETY RULES

- **Maintain tools with care. Keep cutting tools sharp and clean.** Properly maintained tools with sharp cutting edges are less likely to bind and are easier to control.
- **Check for misalignment or binding of moving parts, breakage of parts, and any other condition that may affect the tool's operation. If damaged, have the tool serviced before using.** Many accidents are caused by poorly maintained tools.
- **Use only accessories that are recommended by the manufacturer for your model.** Accessories that may be suitable for one tool, may become hazardous when used on another tool.

Service

- **Tool service must be performed only by qualified repair personnel.** Service or maintenance performed by unqualified personnel could result in a risk of injury.
- **When servicing a tool, use only identical replacement parts. Follow instructions in the Maintenance section of this manual.** Use of unauthorized parts or failure to follow Maintenance Instructions may create a risk of electric shock or injury.

SPECIFIC SAFETY RULES

Hold tool by insulated gripping surfaces when performing an operation where the cutting tool may contact hidden wiring or its cord. Contact with a "live" wire will make exposed metal parts of the tool "live" and shock the operator.

Additional Rules For Safe Operation

- **Know your power tool. Read operator's manual carefully. Learn its applications and limitations, as well as the specific potential hazards related to this tool.** Following this rule will reduce the risk of electric shock, fire, or serious injury.
- **Always wear safety glasses. Everyday eye-glasses have only impact-resistant lenses; they are NOT safety glasses.** Following this rule will reduce the risk of serious personal injury.
- **Protect your lungs. Wear a face or dust mask if the operation is dusty.** Following this rule will reduce the risk of serious personal injury.
- **Protect your hearing. Wear hearing protection during extended periods of operation.** Following this rule will reduce the risk of serious personal injury.
- **Inspect tool cords periodically and, if damaged, have repaired at your nearest Factory Service Center or other Authorized Service Organization. Constantly stay aware of cord location.** Following this rule will reduce the risk of electric shock or fire.
- **Keep hands away from blades and planing area. Do not reach underneath work while blades are rotating. Do not attempt to remove material while blades are rotating. Blades continue to rotate after releasing of trigger.** Following this rule will reduce the risk of serious personal injury.
- **Check damaged parts. Before further use of the tool, a guard or other part that is damaged should be carefully checked to determine that it will operate properly and perform its intended function.**

Check for alignment of moving parts, binding of moving parts, breakage of parts, mounting, and any other conditions that may affect its operation. A guard or other part that is damaged should be properly repaired or replaced by an authorized service center. Following this rule will reduce the risk of shock, fire, or serious injury.

- **Keep handles dry, clean, and free from oil, and grease. Always use a clean cloth when cleaning. Never use brake fluids, gasoline, petroleum-based products or any strong solvents to clean your tool.** Following this rule will reduce the risk of serious personal injury.
- **Keep blades clean. Periodically check blades and chip exhaust for chip build-up. Clean blades minimize stalling and kickback.** Following this rule will reduce the risk of serious personal injury.
- **Do not abuse cord. Never carry the tool by the cord or yank it to disconnect it from the receptacle. Keep cord away from heat, oil, and sharp edges.** Following this rule will reduce the risk of electric shock or fire.
- **Make sure your extension cord is in good condition. When using an extension cord, be sure to use one heavy enough to carry the current your product will draw. A wire gage size (A.W.G.) of at least 16 is recommended for an extension cord 100 feet or less in length. A cord exceeding 100 feet is not recommended. If in doubt, use the next heavier gage. The smaller the gage number, the heavier the cord.** An undersized cord will cause a drop in line voltage resulting in loss of power and overheating.

SPECIFIC SAFETY RULES

- **Inspect for and remove all nails from lumber before planing.** Following this rule will reduce the risk of serious personal injury.
- **Drugs, alcohol, medication. Do not operate tool while under the influence of drugs, alcohol, or any medication.** Following this rule will reduce the risk of electric shock, fire, or serious personal injury.
- **Save these instructions. Refer to them frequently and use them to instruct others who may use this tool. If you loan someone this tool, loan them these instructions also.**

⚠ **WARNING:**




Some dust created by power sanding, sawing, grinding, drilling, and other construction activities contains chemicals known to cause cancer, birth defects or other reproductive harm. Some examples of these chemicals are:

- lead from lead-based paints,
- crystalline silica from bricks and cement and other masonry products, and
- arsenic and chromium from chemically-treated lumber.

Your risk from these exposures varies, depending on how often you do this type of work. To reduce your exposure to these chemicals: work in a well ventilated area, and work with approved safety equipment, such as those dust masks that are specially designed to filter out microscopic particles.

SYMBOLS

Important: Some of the following symbols may be used on your tool. Please study them and learn their meaning. Proper interpretation of these symbols will allow you to operate the tool better and safer.

SYMBOL	NAME	DESIGNATION/ EXPLANATION
V	Volts	Voltage
A	Amperes	Current
Hz	Hertz	Frequency (cycles per second)
W	Watt	Power
min	Minutes	Time
~	Alternating Current	Type or a characteristic of current
n_0	No Load Speed	Rotational speed, at no load
	Class II Construction	Designates Double Insulated Construction tools
.../min	Revolutions or Reciprocation Per Minute	Revolutions, strokes, surface speed, orbits etc. per minute
	Safety Alert Symbol	Indicates danger, warning or caution. It means attention!!! Your safety is involved.
	Wet Conditions Alert	Do not expose to rain or use in damp locations.

SYMBOLS

The purpose of safety symbols is to attract your attention to possible dangers. The safety symbols, and the explanations with them, deserve your careful attention and understanding. The safety warnings do not by themselves eliminate any danger. The instructions or warnings they give are not substitutes for proper accident prevention measures.

SYMBOL	MEANING
	DANGER: Failure to obey a safety warning will result in serious injury to yourself or to others. Always follow the safety precautions to reduce the risk of fire, electric shock and personal injury.
	WARNING: Failure to obey a safety warning can result in serious injury to yourself or to others. Always follow the safety precautions to reduce the risk of fire, electric shock and personal injury.
	CAUTION: Failure to obey a safety warning may result in property damage or personal injury to yourself or to others. Always follow the safety precautions to reduce the risk of fire, electric shock and personal injury.
NOTE:	Advises you of information or instructions vital to the operation or maintenance of the equipment.



SAVE THESE INSTRUCTIONS

FEATURES

⚠ WARNING:

Carefully read through this entire operator's manual before using your new planer. Pay close attention to the Safety Rules, Warnings and Cautions. If you use your planer properly and only for what it is intended, you will enjoy years of safe, reliable service.

KNOW YOUR PLANER

See Figure 1.

Before attempting to operate your planer, familiarize yourself with all operating features and safety requirements. Your planer is compact and lightweight. It is equipped with the following features:

- Depth adjustment knob located at the front of your unit.
- Chip bag which can be used on either side of your unit.

When used properly, your planer should take the guesswork out of planing, sizing, or beveling of doors, windows, shutters, drawer slides, and other work. However, as with any tool, your planer requires accurate set-ups and handling. Practice cutting on scrap lumber before attempting to plane finished goods. In order to turn out the quality work for which your tool has been designed, the importance of the need for you to practice cannot be over-emphasized.

⚠ WARNING:

If any parts are missing, do not operate your planer until the missing parts are replaced. Failure to do so could result in possible serious personal injury.

SWITCH

Depress the trigger switch to start your planer. To turn your planer off, release the trigger switch.

ELECTRICAL CONNECTION

Your planer has a precision built electric motor. It should be connected to a **power supply that is 120 volts, 60 Hz, AC only (normal household current)**. Do not operate this tool on direct current (DC). A substantial voltage drop will cause a loss of power and the motor will overheat. If your planer does not operate when plugged into an outlet, double-check the power supply.

⚠ WARNING:

Do not allow familiarity with your planer make you careless. Remember that being careless a fraction of a second is sufficient time to inflict severe injury.

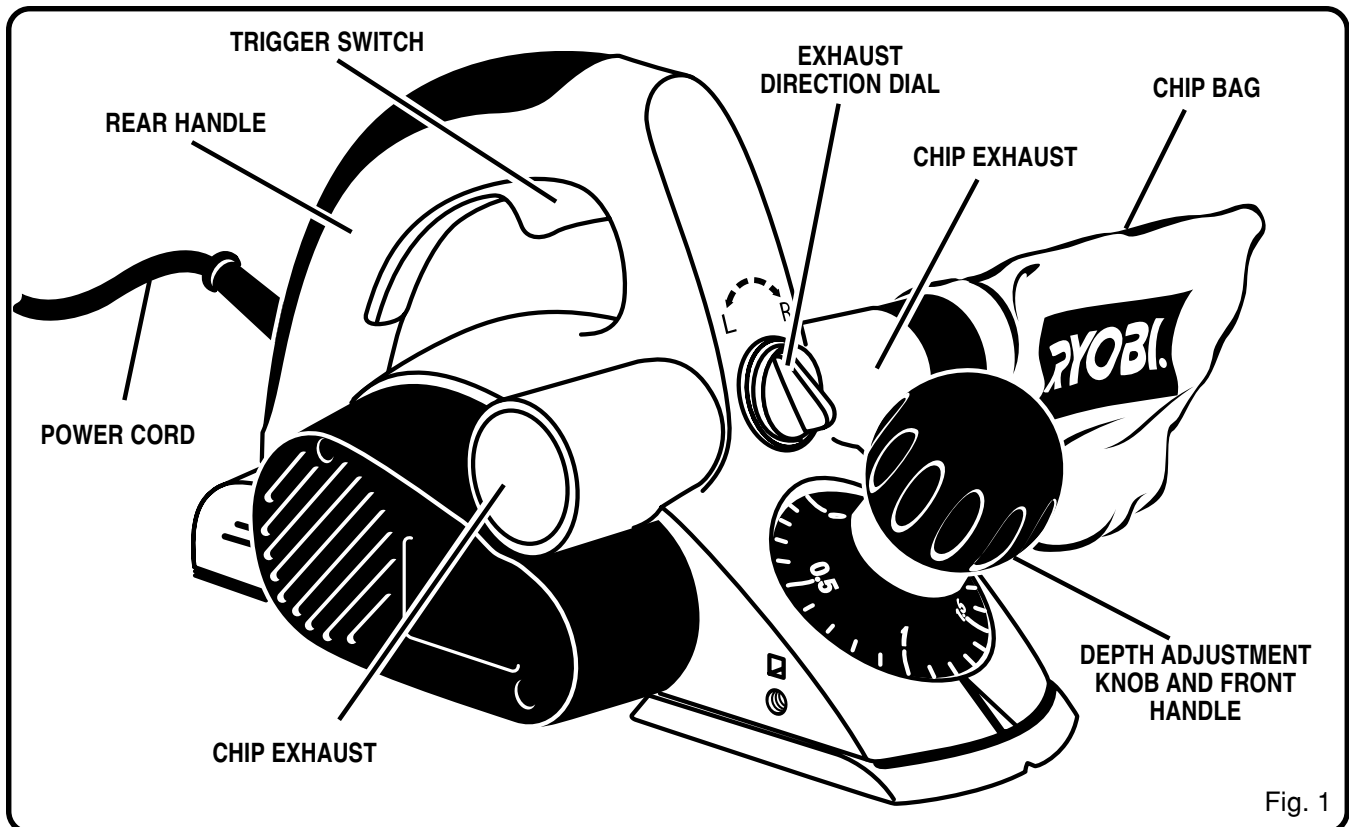


Fig. 1

FEATURES

LOOSE PARTS

See Figure 2.

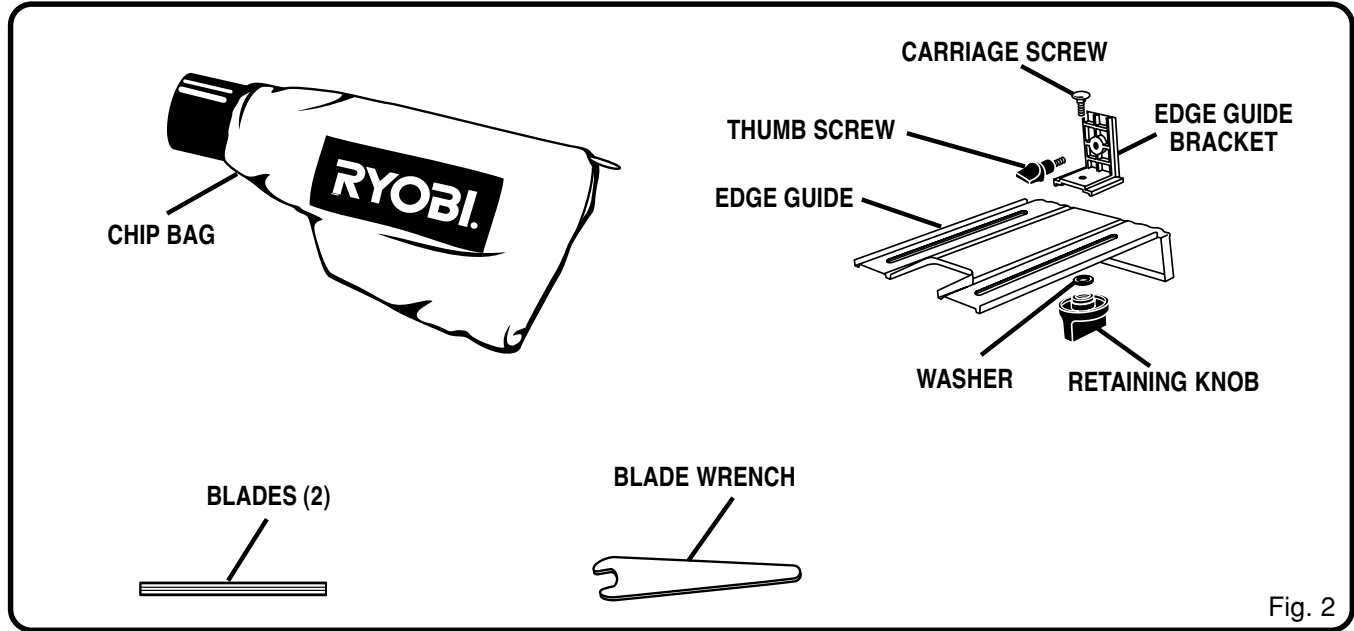


Fig. 2

PRODUCT SPECIFICATIONS

POWER PLANER - HPL50

Input	120v 5.0 amps AC	Blades	Double edge reversible (2)
RPM	16,000/min	Weight	7 lbs. (2.95 kg.)
Max depth of cut	2 mm (5/64 in.)	Cord length	10 ft. (3 m)
Max rabbet depth	8 mm (5/16 in.)		

OPERATION

CHIP EXHAUST AND COLLECTION

See Figure 3.

CHIP EXHAUST

Your planer is equipped with two chip exhaust ports, an exhaust direction dial, and a chip bag for the collection of wood chips in the work area.

The design of your planer allows you to use either chip exhaust port. Depending on the area in which you are working, change to the right or left side exhaust port as needed.

EXHAUST DIRECTION DIAL

To control the direction of wood chips when working in confined areas, select the left or right outlet by rotating the exhaust direction dial accordingly.

DIAL OPERATION:

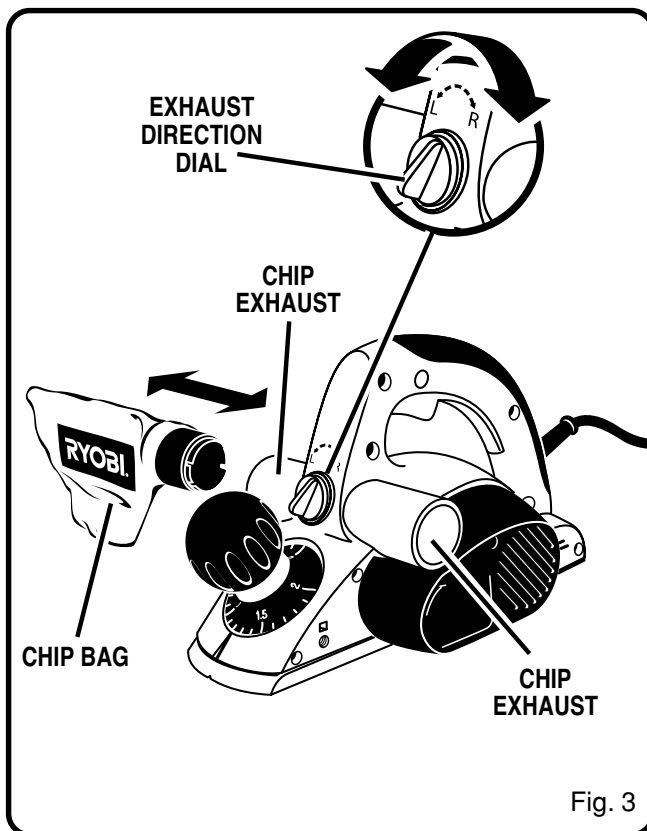
FROM OPERATOR'S POSITION

Dial set to "R" Chips shoot out to operator's **RIGHT**.

Dial set to "L" Chips shoot out to Operator's **LEFT**.

CHIP BAG

Attach the chip bag to the chip exhaust port by sliding the collar of the bag into the port. Pull straight out to remove. The chip bag will fill quickly and must be emptied often.



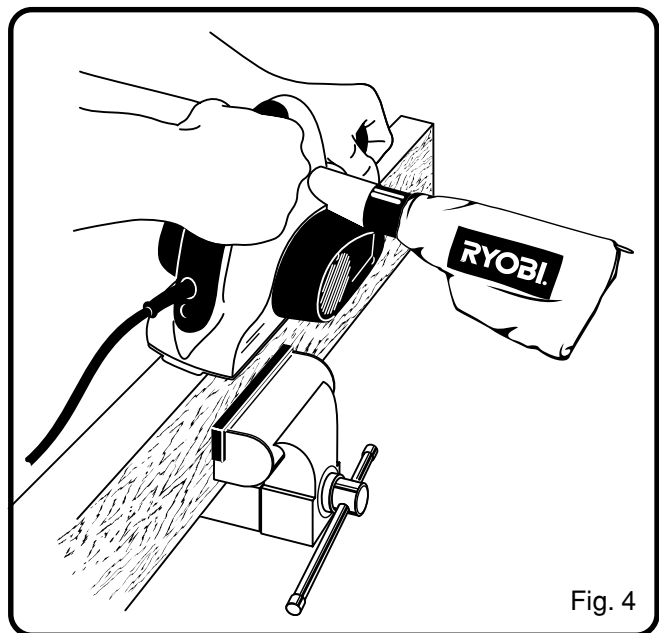
⚠ WARNING:

Your planer should never be connected to power supply when you are assembling parts, making adjustment, changing belts or blades, when cleaning, or when not in use. Disconnecting your planer will prevent accidental starting that could cause serious injury.

PREPARING FOR OPERATION

See Figure 4.

For ease of operation your planer has both a front handle and a rear handle. This provides for two-handed operation, which is necessary in order to maintain proper control of your planer and keep both hands clear of the blades and cutting area. When operating your planer always use both hands, holding the front handle with your left hand and the rear handle with your right hand. In this position, your planer is easier to handle.



OPERATION

⚠ CAUTION:

Planing too fast increases chip build-up in the chip exhaust and can result in a poor finish. Chip build-up restricts air flow and can cause motor overheating. Plane slowly and empty dust bag often to prevent damage.

⚠ WARNING:

Do not attempt to clear a blocked chip exhaust until the blades have stopped and the unit has been disconnected from the power source. Failure to heed this warning can result in serious personal injury.

Keep cord away from cutting area. Always place the cord to prevent it from hanging on the work while cutting.

⚠ DANGER:

If the cord hangs up on the work during a cut, release the trigger switch immediately. Unplug your planer and check cord for damage. If no damage, reposition the cord to prevent it from hanging up again. If the cord has been damaged, have it replaced before using your planer.

⚠ WARNING:

Using your planer with a damaged cord could cause electrical shock resulting in serious injury.

Know the right way to use your planer. *See Figure 5.* Never use your planer as shown in *Figures 6 and 7.* Always keep control of your planer. It makes cutting easier and safer. To help keep control, always support your work so the cut will be on your right. Clamp your work so it will not move during the cut. *See Figure 5.* The work moving during a cut could result in the loss of control of your planer possibly causing serious injury.

CORRECT

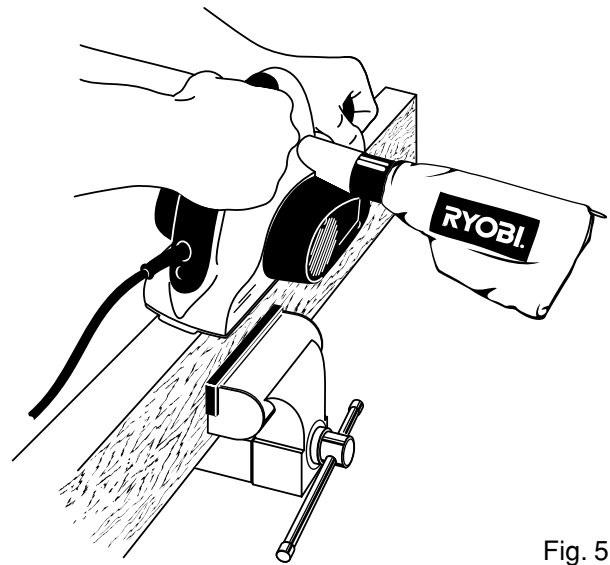


Fig. 5

WRONG

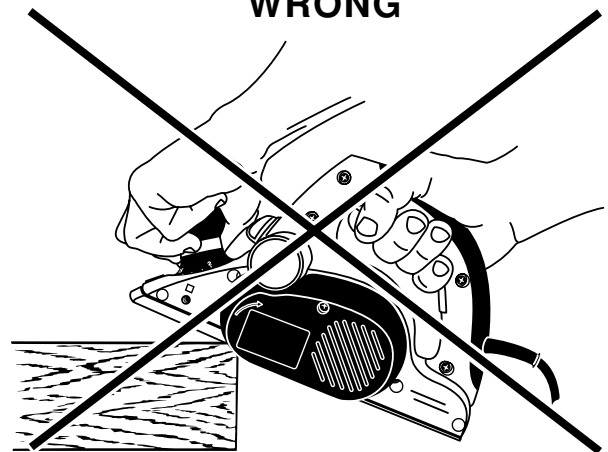


Fig. 6

WRONG

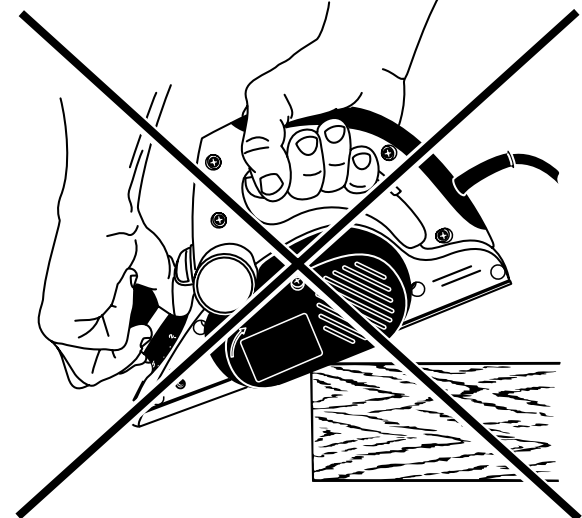


Fig. 7

OPERATION

TO ADJUST PLANING DEPTH

See Figure 8.

Unplug your planer before making any adjustments.

WARNING:

Failure to unplug your planer could result in accidental starting causing serious injury.

The planing depth can be adjusted from 0-2 mm. To adjust the depth, turn the depth adjustment knob to the desired setting on the depth adjustment dial. Always work from a rough cut to a finish cut. The approximate setting for rough planing is 0.5 mm to 1 mm. For finish planing use a setting of approximately 0.2 mm to 0.4 mm. It is recommended that test cuts be made in scrap wood after each adjustment to make sure that the desired amount of wood is being removed by your planer.

NOTE: To protect blades during storage, transporting, etc., set blade depth adjustment to 0.

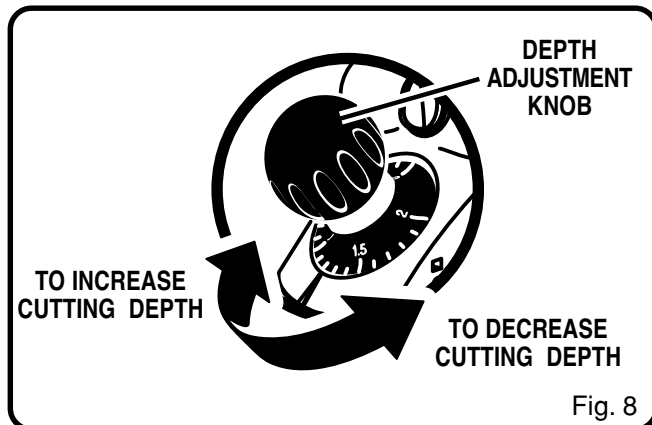


Fig. 8

GENERAL CUTTING

Adjust your planer to the desired depth of cut. With your left hand holding the front depth adjustment knob and your right hand holding the rear handle, place the front shoe on the edge of workpiece to be planed. Make sure blades are not touching the workpiece. Apply pressure to the front handle so that the front shoe is completely flat on the work. Depress the trigger switch to start your planer and let the motor reach maximum speed.

WARNING:

Always use two hands on the tool for any operation; this is assure you maintain control and avoid the risk of serious personal injury. Work must always be properly supported and clamped so both hands will be free to control the planer.

Hold the planer firmly and push forward, into the work, using a slow, steady motion. As the end of the planed cut is reached, apply downward pressure toward the rear handle. This will help keep the rear section of the planer base in contact with the work and will prevent the front of the planer from gouging the cut. Be careful to avoid hitting nails during planing operation; this could nick, crack, or damage blades. We suggest that you always keep an extra set of blades on hand. As soon as the blades in your planer show signs of becoming dull, replace them.

BLADE SET P/N

HPL50K-26

NOTE: The blades in your planer are reversible and can be reversed until both sides become dull.

CHAMFERING

See Figure 9.

The planer has been designed with a chamfering groove in the front shoe. The purpose for this groove is chamfering edges of boards as shown. Before making a cut on good lumber, practice cutting on scrap lumber to determine the amount to be removed. Clamp the workpiece so it will not move during this operation. Firmly holding the front depth adjustment knob with your left hand and the rear handle with your right hand, place the chamfering groove on the surface to be cut. Start your planer and let it reach full speed, then slowly move it into the work. Maintain downward pressure to keep your planer flat at the beginning and the end of the work surface.

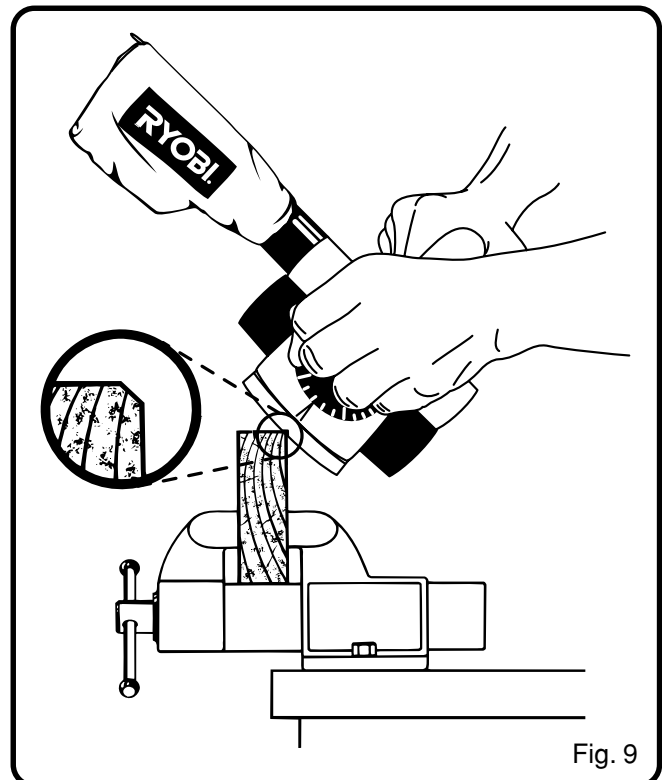


Fig. 9

OPERATION

EDGE PLANING

See Figures 10 and 11.

Your planer comes with an adjustable edge guide for precision edge planing. It can be attached to either side of your planer and is useful when planing long and uneven surface boards.

ATTACHING THE EDGE GUIDE

Assemble the edge guide and edge guide bracket using the carriage head screw, washer and retaining knob. Attach the edge guide assembly to the desired side of the planer, ensuring the locating tab on the edge guide bracket fits into the locating tab hole. Install thumb screw and tighten securely.

To adjust the edge guide to the width of cut, loosen the retaining knob and adjust to the desired position. Retighten the retaining knob securely.

When making cuts using your edge guide, the guide should be held firmly against the edge of the board. See Figure 12.

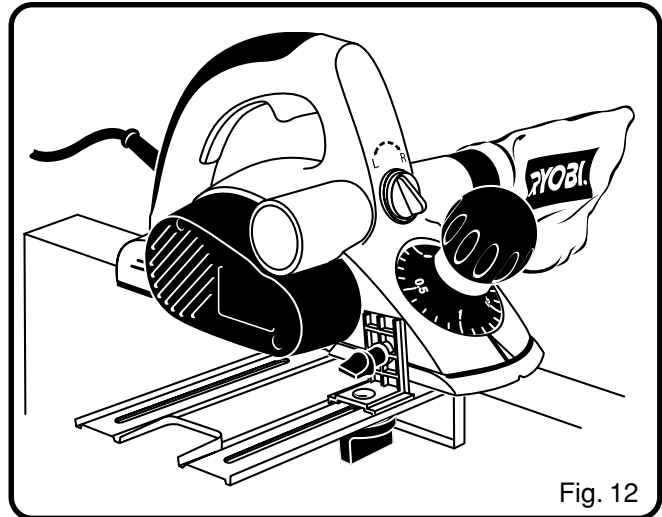


Fig. 12

RABBET CUTS

See Figure 13.

Rabbet cuts can be made using your planer. The edge guide attaches to the operator's right side of the planer and can be used to make rabbet cuts. The maximum depth of the rabbet cut is 8 mm (5/16 in.) and has to be cut in 2 mm (5/64 in.) passes, or less, to get the desired depth. The width of the rabbet cut is adjustable by moving the edge guide.

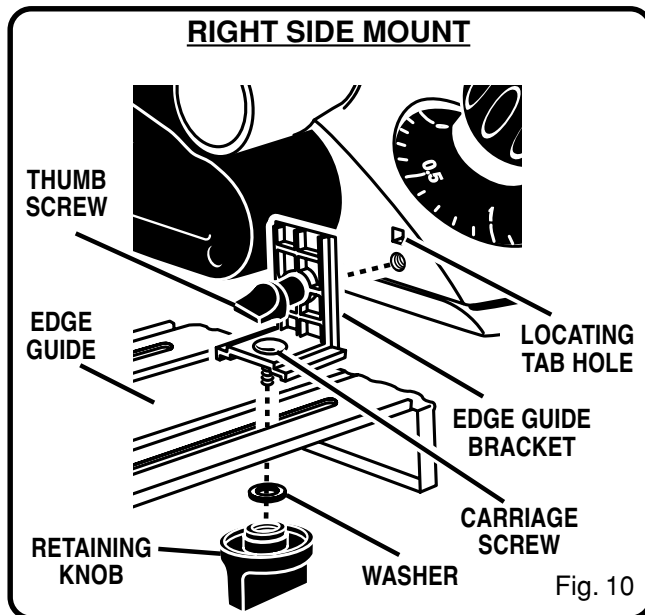


Fig. 10

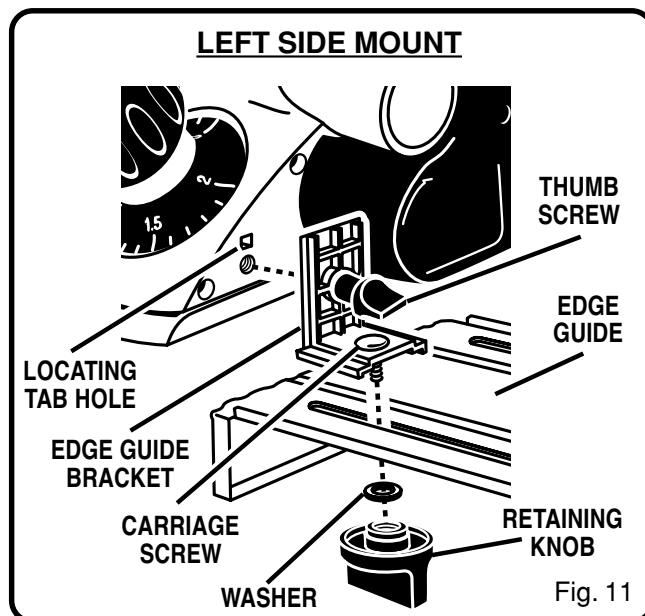


Fig. 11

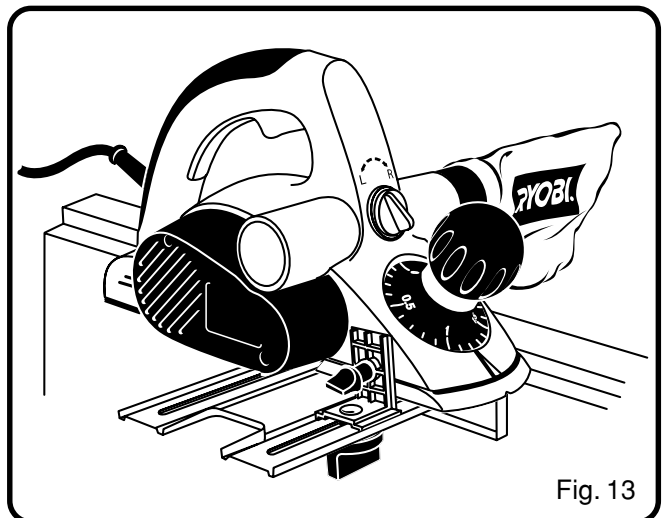


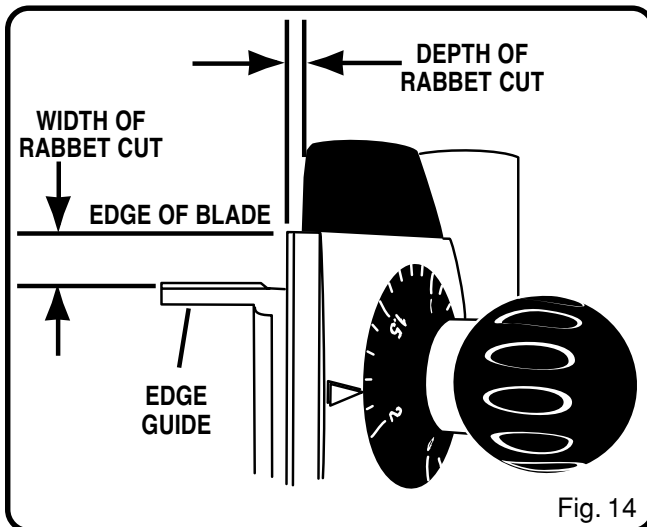
Fig. 13

OPERATION

TO ADJUST DEPTH AND WIDTH OF RABBET CUT

Loosen the retaining knob and adjust the edge guide to the desired width. Retighten the retaining knob securely.

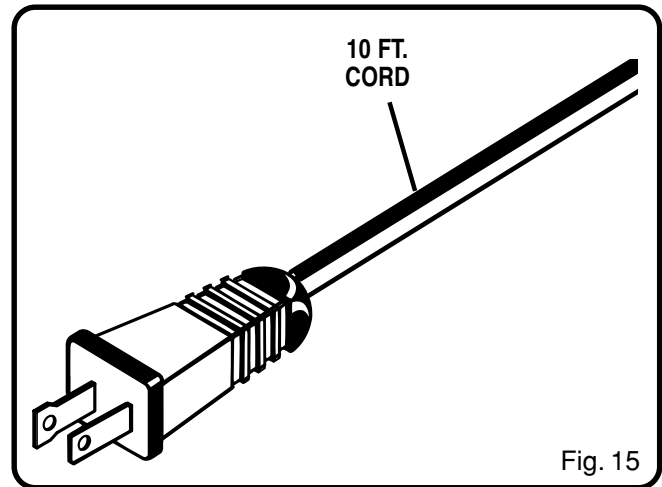
The depth of the rabbet is determined by the depth of the cut, and the number of passes made along the workpiece. The maximum depth of the rabbet cut is 8 mm (5/16 in.) and has to be cut in 2 mm (5/64 in.) passes, or less, to get the desired depth. See Figure 14.



POWER CORD

See Figure 15.

Your new power planer has a 10 ft. power cord that stays soft and flexible in cold weather.



MAINTENANCE

⚠ WARNING:

When servicing use only identical Ryobi replacement parts. Use of any other parts may create a hazard or cause product damage.

GENERAL

All parts represent an important part of the double insulation system and should be serviced only at an authorized service center.

Avoid using solvents when cleaning plastic parts. Most plastics are susceptible to damage from various types of commercial solvents and may be damaged by their use. Use clean cloths to remove dirt, carbon dust, etc.

⚠ WARNING:

Do not at any time let brake fluids, gasoline, petroleum-based products, penetrating oils, etc. come in contact with plastic parts. They contain chemicals that can damage, weaken or destroy plastic.

It has been found that electric tools are subject to accelerated wear and possible premature failure when they are used on fiberglass boats, sports cars, wallboard, spackling compounds, or plaster. The chips and grindings from these materials are highly abrasive to electric tool parts, such as bearings, brushes, commutators, etc. Consequently, it is not recommended that this tool be used for extended work on any fiberglass material, wallboard, spackling compounds, or plaster. During any use on these materials, it is extremely important that the tool is cleaned frequently by blowing with an air jet.

⚠ WARNING:

Always wear safety goggles or safety glasses with side shields during power tool operation or when blowing dust. If operation is dusty, also wear a dust mask.

MAINTENANCE

EXTENSION CORDS

The use of any extension cord will cause some loss of power. To keep the loss to a minimum and to prevent tool overheating, use an extension cord that is heavy enough to carry the current the tool will draw.

A wire gage size (A.W.G.) of at least **16** is recommended for an extension cord 100 feet or less in length. When working outdoors, use an extension cord that is suitable for outdoor use. The cord's jacket will be marked **WA**.

⚠ WARNING:

Check extension cords before each use. If damaged replace immediately. Never use tool with a damaged cord since touching the damaged area could cause electrical shock resulting in serious injury.

LUBRICATION

All of the bearings in this tool are lubricated with a sufficient amount of high-grade lubricant for the life of the unit under normal operating conditions. Therefore, no further lubrication is required.

CLEANING CHIP EXHAUST AND EMPTYING CHIP BAG

See Figure 16.

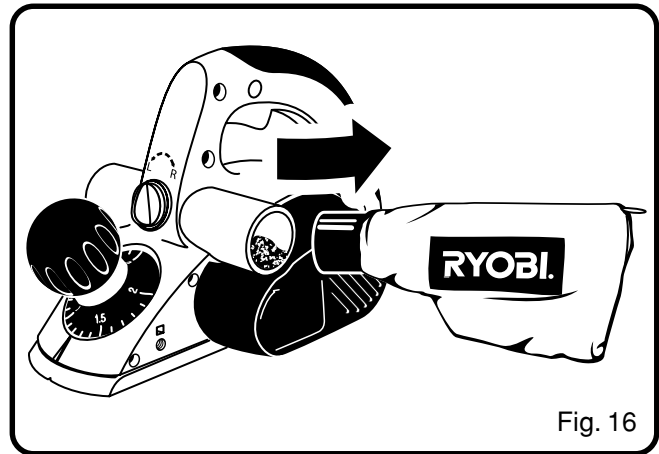
After using your planer for an extended period of time or when planing wet or green lumber, chips may build-up in the chip exhaust port and require cleaning. Chip build-up restricts air flow and causes the motor to overheat.

- Unplug your planer.

⚠ WARNING:

Failure to unplug your planer could result in accidental starting causing serious injury.

- Remove the chip bag from the chip exhaust.
- Clean the chip or dust build-up from the chip exhaust port of your planer with a small piece of wood. Do not use your hands or fingers.
- Empty all chips from the chip bag and ensure collar is free from debris.
- Replace chip bag.



BLADE REPLACEMENT

See Figures 17, 18, 19, 20, 21, and 22.

The blades in your planer are reversible. Therefore, they can be reversed when one edge becomes dull.

Always replace or reverse blades in pairs.

Do not attempt to sharpen blades. If the blades become dull, replace them.

When replacing the blades, use recommended replacement blade only, Ryobi part number HPL50K-26.

Blades are sharp, use extreme caution when replacing blades.

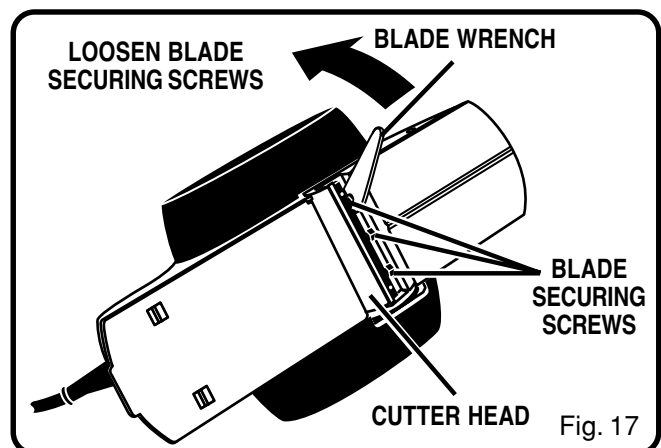
- Unplug your planer.

⚠ WARNING:

Failure to unplug your planer could result in accidental starting causing serious injury.

- Secure your planer in an upside down position.
- Using the blade wrench provided, loosen the three blade securing screws on the blade holder. See Figure 17.

NOTE: Do not over loosen the screws. If screws are too loose, alignment of the new blade will not be accurate.



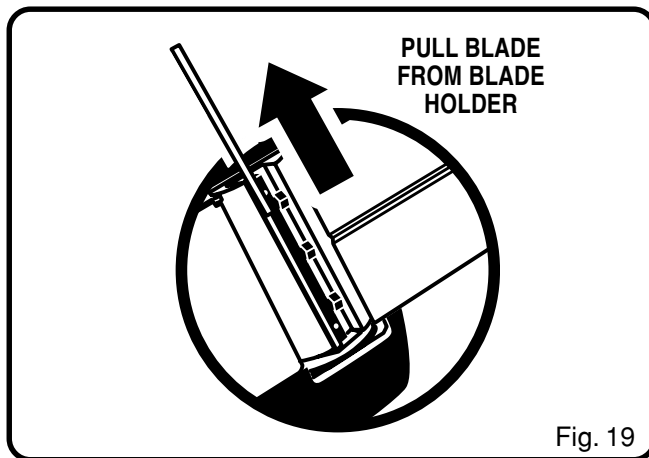
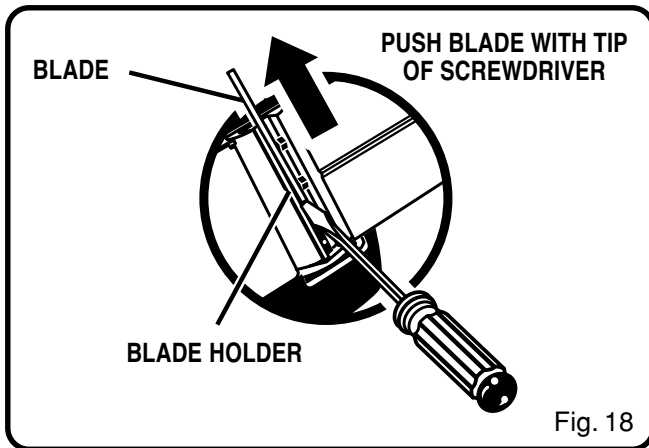
MAINTENANCE

NOTE: Before removing old blades, take notice of the direction of cut as well as how the tapered edge of the old blades are oriented. The tapered edge of the new blades must be in the same orientation as the original blades.

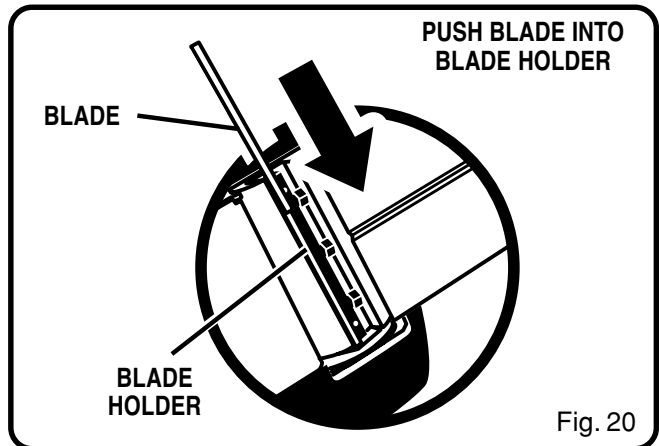
- Using the tip of a screwdriver, push blade out of blade holder. See Figure 18. Remove old blade from the blade holder. See Figure 19.

NOTE: If blade cannot be pushed out of blade holder easily after loosening blade securing screws, use a block of wood to break the blade loose from the blade holder, with a short sharp blow. Then push with a screwdriver to remove the blades. If necessary, tap block of wood sharply with a small hammer to break blades loose.

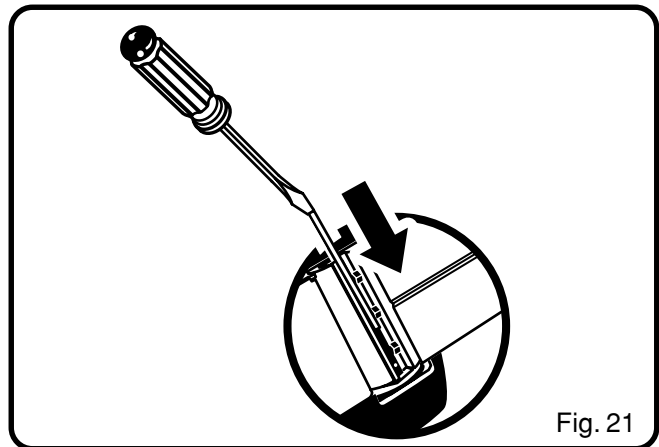
- Clean any sawdust or wood chips from around the blade area.



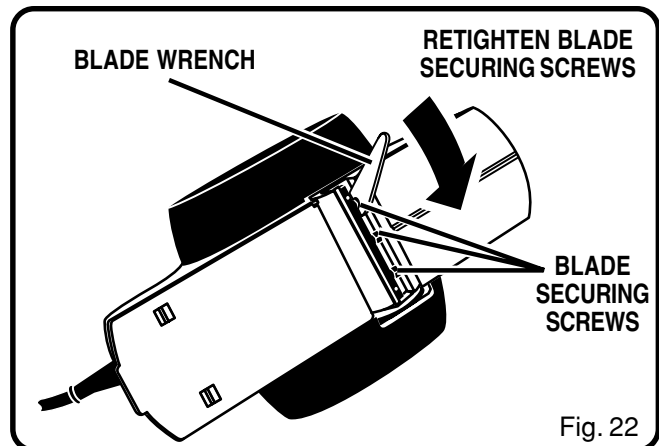
- Slide new blade into the slot of the blade holder. See Figure 20.



- Use a screwdriver to push the blade into the blade holder until it is centered into position. See Figure 21.



- Using the blade wrench, retighten the three blade securing screws. See Figure 22.
- Repeat the above procedure to change the other blade.



MAINTENANCE

BELT REPLACEMENT

See Figures 23 and 24.

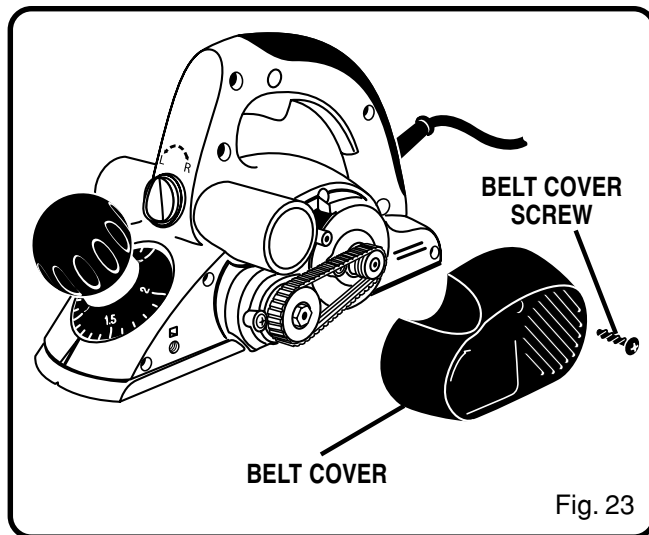
When replacing the belt, use recommended replacement belt only, Ryobi part number HPL50K-03.

- Unplug your planer.

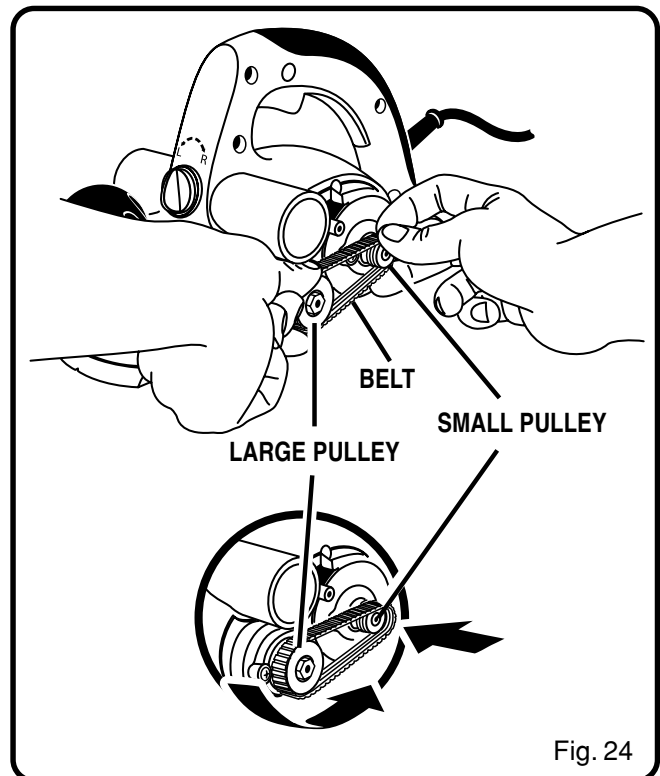
WARNING:

Failure to unplug your planer could result in accidental starting causing serious injury.

- Remove belt cover screw, then remove the belt cover.



- Force the old belt from the small pulley by turning in the direction shown. As you turn the belt, pull and work it off the small pulley until it has been completely removed from both pulleys.
- Install the new belt over the large pulley. As you turn the belt, push and work it onto the small pulley until it is in place.
- Replace the belt cover. Install belt cover screw and tighten securely.



Free Manuals Download Website

<http://myh66.com>

<http://usermanuals.us>

<http://www.somanuals.com>

<http://www.4manuals.cc>

<http://www.manual-lib.com>

<http://www.404manual.com>

<http://www.luxmanual.com>

<http://aubethermostatmanual.com>

Golf course search by state

<http://golfingnear.com>

Email search by domain

<http://emailbydomain.com>

Auto manuals search

<http://auto.somanuals.com>

TV manuals search

<http://tv.somanuals.com>