

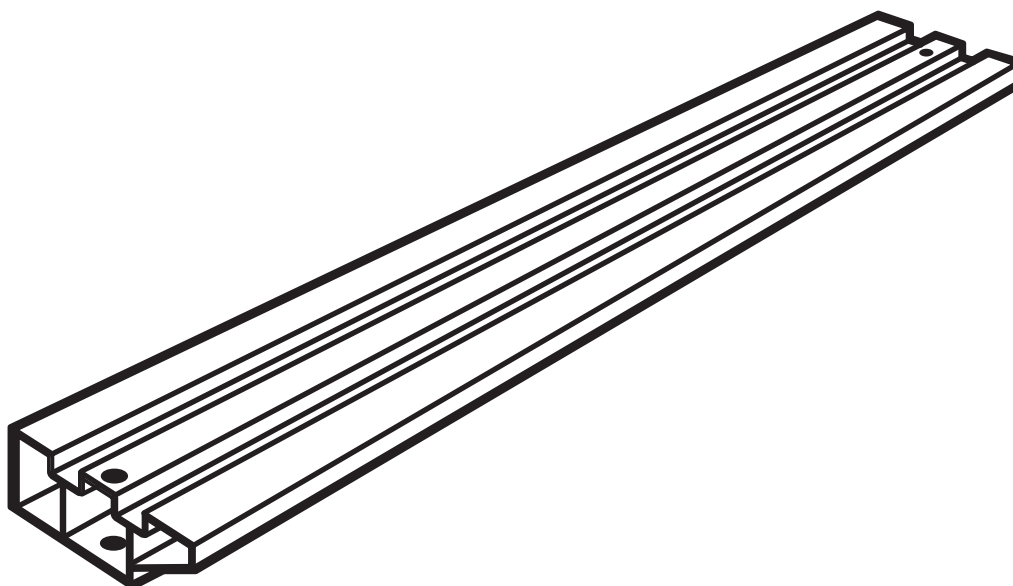


# OPERATOR'S MANUAL

## Miter Slot Table

4060310

(For use with BT3000 & BT3100 Table Saws)



Your new miter slot table has been engineered and manufactured to Ryobi's high standard for dependability, ease of operation and operator safety. Properly cared for, it will give you years of rugged, trouble-free performance.



**WARNING:** To reduce the risk of injury, the user must read and understand the operator's manual.

Thank you for buying a Ryobi accessory kit.

**SAVE THIS MANUAL FOR FUTURE REFERENCE**

# RULES FOR SAFE OPERATION

Safe operation of this accessory requires that you read and understand this operator's manual, the operator's manual for the table saw and all labels affixed to the tool.

## READ ALL INSTRUCTIONS

- **KNOW YOUR ACCESSORY.** Read the operator's manual carefully. Learn the product's applications and limitations as well as the specific potential hazards related to this product.
- **KEEP THE WORK AREA CLEAN.** Cluttered work areas and work benches invite accidents. **DO NOT** leave tools or pieces of wood on the saw while operating.
- **ALWAYS WEAR SAFETY GLASSES WITH SIDE SHIELDS.** Everyday eyeglasses have only impact-resistant lenses; they are **NOT** safety glasses.
- **DO NOT USE THIS PRODUCT WITH OTHER EQUIPMENT** or for other purposes.
- **ALWAYS DISCONNECT THE SAW FROM THE POWER SUPPLY BEFORE ASSEMBLING THIS KIT.** Make sure the switch is off when reconnecting the saw to a power supply.
- **BEFORE MAKING A CUT, BE SURE ALL ADJUSTMENTS ARE SECURE.**
- **SAVE THESE INSTRUCTIONS.** Refer to them frequently and use them to instruct other users. If you loan someone this product, also loan these instructions.

The purpose of safety symbols is to attract your attention to possible dangers. The safety symbols, and the explanations with them, deserve your careful attention and understanding. The safety warnings do not by themselves eliminate any danger. The instructions or warnings they give are not substitutes for proper accident prevention measures.

SYMBOL	MEANING
	<b>SAFETY ALERT SYMBOL:</b> Indicates danger, warning or caution. May be used in conjunction with other symbols or pictographs.
	<b>DANGER:</b> Failure to obey a safety warning will result in serious injury to yourself or to others. Always follow the safety precautions to reduce the risk of fire, electric shock and personal injury.
	<b>WARNING:</b> Failure to obey a safety warning can result in serious injury to yourself or to others. Always follow the safety precautions to reduce the risk of fire, electric shock and personal injury.
	<b>CAUTION:</b> Failure to obey a safety warning may result in property damage or personal injury to yourself or to others. Always follow the safety precautions to reduce the risk of fire, electric shock and personal injury.
	<b>NO HANDS:</b> Failure to keep your hands away from the blade will result in serious personal injury.
	<b>WET CONDITIONS ALERT:</b> Do not expose to rain or use in damp locations.
<b>NOTE:</b>	Advises you of information or instructions vital to the operation or maintenance of the equipment.



**SAFETY ALERT SYMBOL:** Indicates danger, warning or caution. May be used in conjunction with other symbols or pictographs.



**DANGER:** Failure to obey a safety warning will result in serious injury to yourself or to others. Always follow the safety precautions to reduce the risk of fire, electric shock and personal injury.



**WARNING:** Failure to obey a safety warning can result in serious injury to yourself or to others. Always follow the safety precautions to reduce the risk of fire, electric shock and personal injury.



**CAUTION:** Failure to obey a safety warning may result in property damage or personal injury to yourself or to others. Always follow the safety precautions to reduce the risk of fire, electric shock and personal injury.



**NO HANDS:** Failure to keep your hands away from the blade will result in serious personal injury.



**WET CONDITIONS ALERT:** Do not expose to rain or use in damp locations.

**NOTE:**

Advises you of information or instructions vital to the operation or maintenance of the equipment.



The operation of any power tool can result in foreign objects being thrown into your eyes, which can result in severe eye damage. Before beginning tool operation, always wear safety goggles or safety glasses with side shields and a full face shield when needed. We recommend Wide Vision Safety Mask for use over eyeglasses or standard safety glasses with side shields. Always wear eye protection which is marked to comply with ANSI Z87.1.

## SAVE THESE INSTRUCTIONS

# UNPACKING

## INFORMATION

- Remove the loose parts from the box. Make sure that all items listed in the loose parts list are included .
- Inspect all parts carefully to make sure no breakage or damage occurred during shipping.
- If any parts are damaged or missing, please call 1-800-525-2579 for assistance.

## **⚠ WARNING:**

If any parts are missing, replace the missing parts before assembling the kit. Failure to do so could result in serious personal injury.

## LOOSE PARTS LIST

1. Miter Slot Table
2. Shims (4)
3. 1/4-20 x 1 in. Hex Head Cap Screws (2)
4. Washers (2)
5. 1/4-20 Hex Nuts (2)

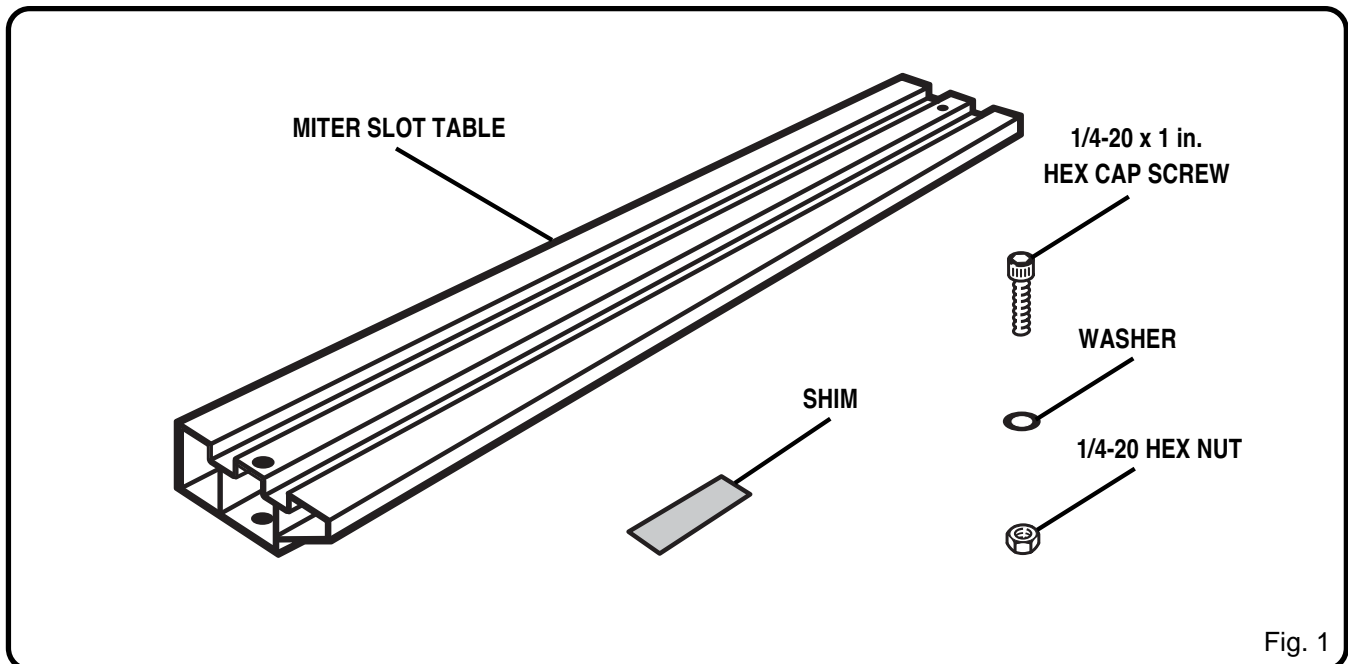
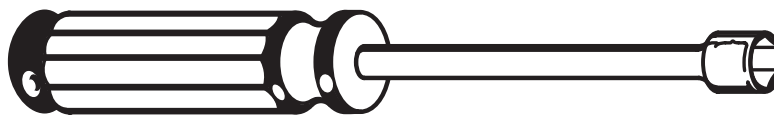


Fig. 1

## TOOLS NEEDED

7/16 in. NUT DRIVER



3/16 in. HEX KEY

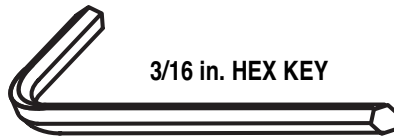


Fig. 2

## ASSEMBLY

### **WARNING:**

The table saw should never be connected to a power supply while you are assembling parts. Disconnecting the table saw will prevent accidental starting that could cause serious personal injury.

### INSTALLING THE MITER SLOT TABLE

See Figure 3.

- Turn the **ON/OFF** switch to the **OFF** position.
- Unplug the saw from the switched on-board outlet.
- Disconnect the saw from the power supply.
- Remove the sliding miter table and accessory table from the saw.
- Place the miter slot table onto the saw as shown in Figure 3.

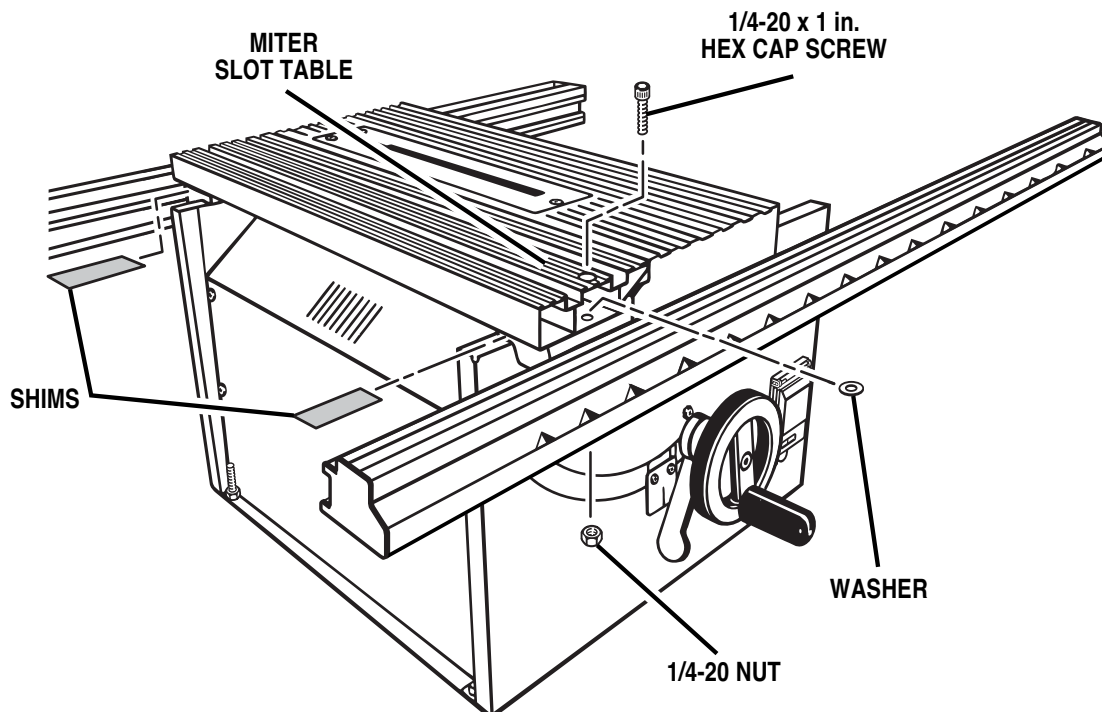


Fig. 3

# ASSEMBLY

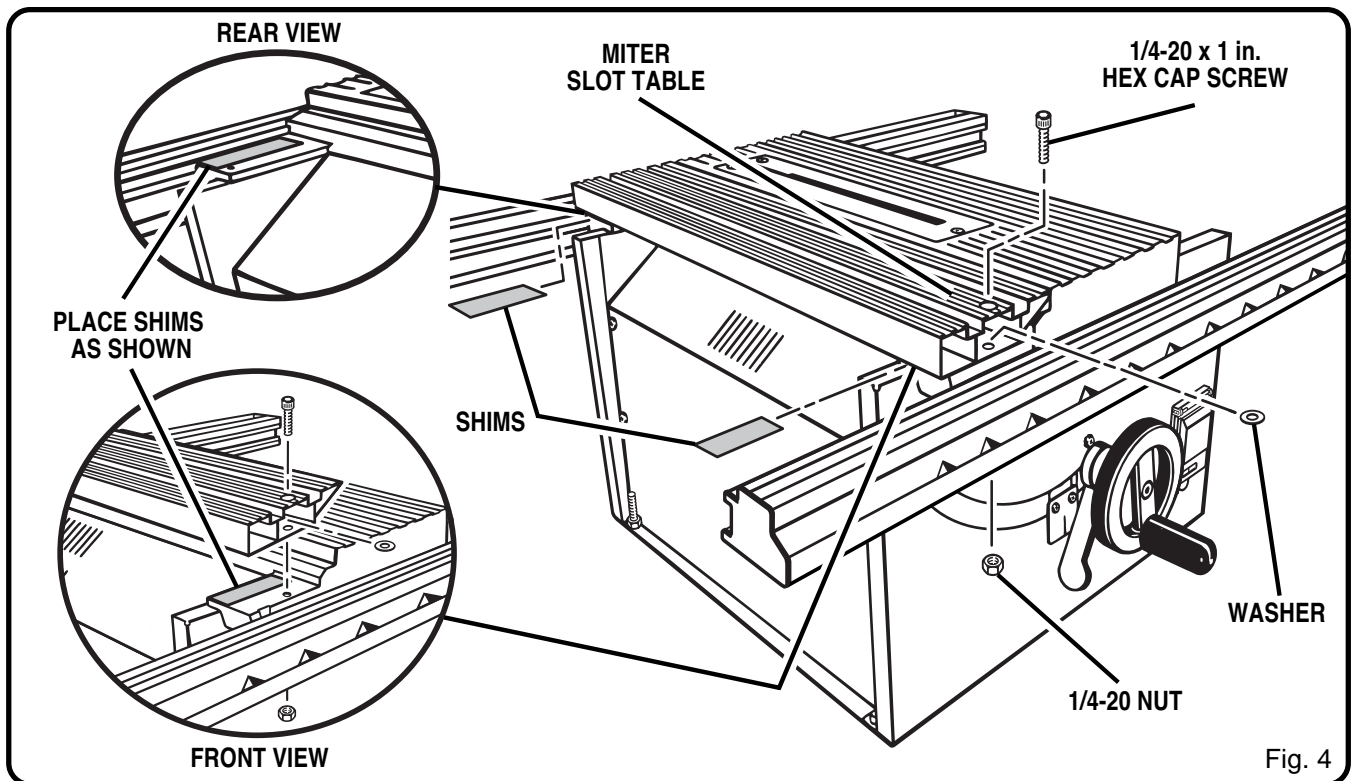


Fig. 4

## ALIGNING THE MITER SLOT TABLE

See Figure 4.

- Place the miter slot table on the saw as shown in Figure 4.
- Extend a straight edge across the saw table onto the miter slot table and note any space between the straight edge and the miter slot table. If space exists, place one of the shims under the miter slot table and recheck. Add shims as required between the miter slot table and the saw table to allow the miter slot table to be flush with or slightly lower than the saw table. Repeat the process for the rear of the miter slot table. Recheck in front and rear to assure that the miter slot table is not above the surface of the saw table.
- Place mounting bolts with washers through holes in the miter slot table and the saw table frame as shown in Figure 5. Place a nut under the lip of the saw frame on each bolt. Tighten firmly and evenly. Shims will be secured when you tighten the screws.
- Replace the sliding miter table and the accessory table.

**NOTE:** The miter slot table must not be higher than the saw table.

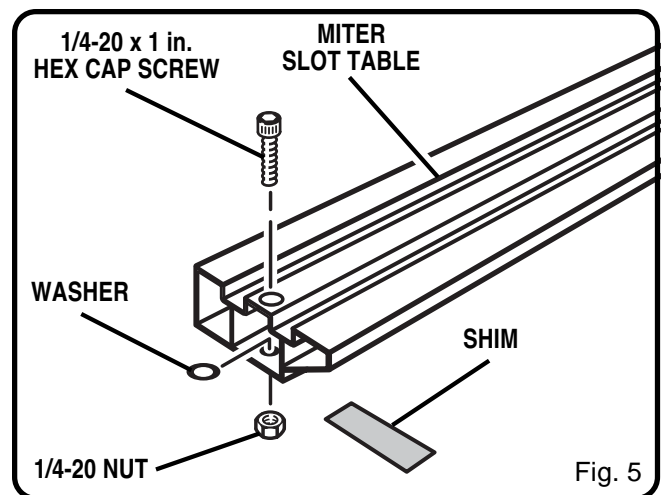


Fig. 5



# OPERATOR'S MANUAL

## Miter Slot Table

**4060310**

### WARRANTY

Ryobi warrants its accessories for a period of 90 days from the date of purchase. Batteries and chargers are warranted for a period of two years from the date of purchase.

### PARTS AND SERVICE

For parts or service, contact your nearest Ryobi authorized service center. Be sure to provide all relevant information when you call or visit. For the location of the authorized service center nearest you, please call 1-800-525-2579 or visit us online at [www.ryobitools.com](http://www.ryobitools.com). When ordering parts, always give the model number:

MODEL NUMBER 4060310

### RYOBI TECHNOLOGIES INC.

1428 Pearman Dairy Road Anderson, SC 29625  
Post Office Box 1207 Anderson, SC 29622  
1-800-525-2579 [www.ryobitools.com](http://www.ryobitools.com)

## Free Manuals Download Website

<http://myh66.com>

<http://usermanuals.us>

<http://www.somanuals.com>

<http://www.4manuals.cc>

<http://www.manual-lib.com>

<http://www.404manual.com>

<http://www.luxmanual.com>

<http://aubethermostatmanual.com>

Golf course search by state

<http://golfingnear.com>

Email search by domain

<http://emailbydomain.com>

Auto manuals search

<http://auto.somanuals.com>

TV manuals search

<http://tv.somanuals.com>