

# TAZ

## Shower Radio

USE & CARE  
GUIDE



MODEL WT11LT

Congratulations! You are the proud owner of the Salton® Looney Tunes™ Taz Shower Radio. To obtain maximum satisfaction and enjoyment, please follow these simple guidelines.

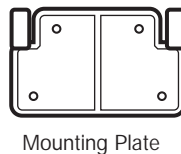
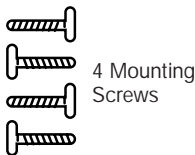
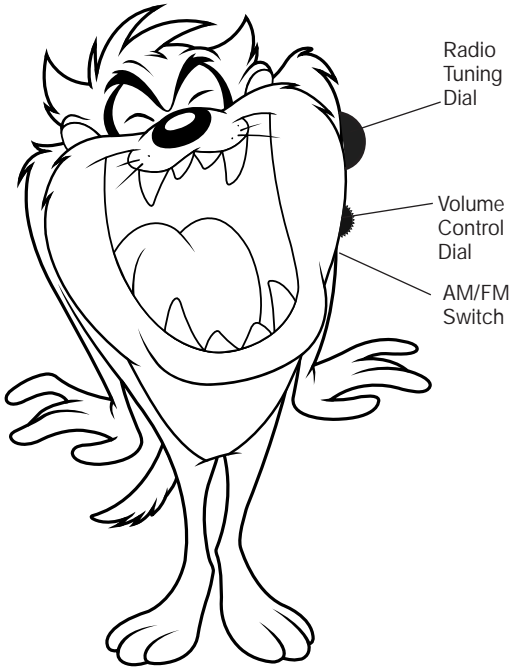
1. **Do not submerge the Taz Shower Radio in water.** It is water resistant, not waterproof!
2. **Insert 3 AA ALKALINE batteries (not included) into the Battery Compartment.**
3. **Signal Reception.**

Turn on the Radio and move it around to various locations and positions on the wall to determine a suitable location that provides good reception.

Avoid locations that lie directly in the path of the shower stream.

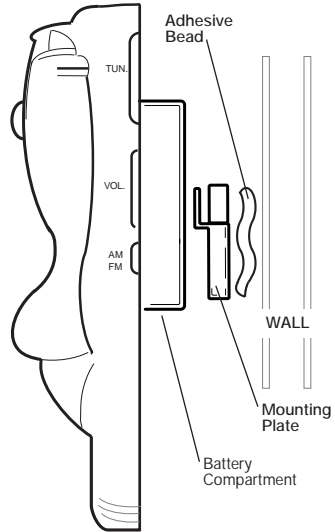
## OPERATING INSTRUCTIONS

PRODUCT MAY VARY SLIGHTLY FROM ILLUSTRATIONS



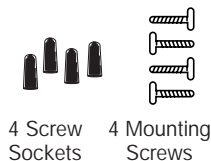
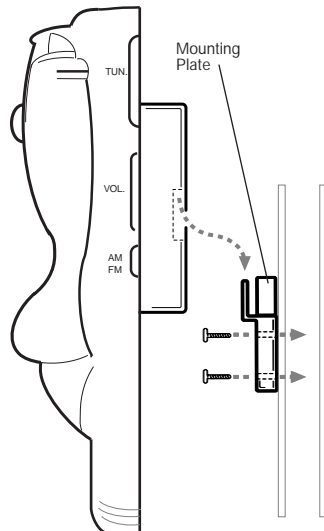
## WALL MOUNTING WITH ADHESIVE

1. Select a spot on the wall that is as smooth as possible, such as a smooth ceramic tile. Thoroughly clean the spot of all soap, oil or other films using a household cleaning solvent such as Acetone or nail polish remover. DO NOT use tile cleaner or other wax-based substances. Allow area to dry completely. Room temperature should be at 60 to 70°F.
2. For best results, hold Adhesive Packet (supplied in package) at a 45-degree angle and apply sealant to Mounting Plate, approximately 1/8" bead and 1/4" from edges. Use entire contents.
3. Place Mounting Plate against clean wall surface using enough pressure to displace air, but not adhesive.
4. Slide the Radio onto the secured Mounting Plate.



## WALL MOUNTING WITH SCREWS

1. Place Mounting Plate against a clean wall surface and mark the spots on the wall where you will be drilling. Remove the Mounting Plate from the wall.
2. Drill 4 holes in the wall that match the placement of the holes in the Mounting Plate.
3. Insert a Screw Socket into each of the 4 holes.
4. Place Mounting Plate against the wall in the correct position and drill in the 4 Screws.
5. Slide the Radio onto the secured Mounting Plate.



# ONE-YEAR LIMITED WARRANTY

This Salton, Inc. product warranty extends to the original consumer purchaser of the product.

**Warranty Duration:** This product is warranted to the original consumer purchaser for a period of one (1) year from the original purchase date.

**Warranty Coverage:** This product is warranted against defective materials or workmanship. This warranty is void if the product has been damaged by accident, in shipment, unreasonable use, misuse, neglect, improper service, commercial use, repairs by unauthorized personnel or other causes not arising out of defects in materials or workmanship. This warranty is effective only if the product is purchased and operated in the USA, and does not extend to any units which have been used in violation of written instructions furnished by Salton, Inc., or to units which have been altered or modified or to damage to products or parts thereof which have had the serial number removed, altered, defaced or rendered illegible.

**Warranty Disclaimers:** This warranty is in lieu of all warranties expressed or implied and no representative or person is authorized to assume for Salton, Inc. any other liability in connection with the sale of our products. There shall be no claims for defects or failure of performance or product failure under any theory of tort, contract or commercial law including, but not limited to, negligence, gross negligence, strict liability, breach of warranty and breach of contract.

**Warranty Performance:** During the above one-year warranty period, a product with a defect will be either repaired or replaced with a reconditioned comparable model (at Salton, Inc.'s option) when the product is returned to the Salton, Inc. facility. The repaired or replacement product will be in warranty for the balance of the one-year warranty period and an additional one-month period. No charge will be made for such repair or replacement.

## Service and Repair

If service is required, you should first call toll-free 1-800-233-9054 **between the hours of 8:00 am and 5:00 pm Central Standard Time** and ask for **CONSUMER SERVICE** stating that you are a consumer with a problem. Please refer to Model WT11LT when you call.

**In-Warranty Service (USA)** for an appliance covered under the warranty period, no charge is made for service or postage. Call for pre-paid return mailing label. (U.S. Customers Only)

**Out-of-Warranty Service:** A flat rate charge by model is made for out-of-warranty service. Include \$6.00 (U.S.) for return shipping and handling.

Salton, Inc. cannot assume responsibility for loss or damage during incoming shipment. For your protection, carefully package the product for shipment and insure it with the carrier. Be sure to enclose the following items with your appliance: any accessories related to your problem; your full return address and daytime phone number; a note describing the problem you experienced; **a copy of your sales receipt or other proof of purchase to determine warranty status.** C.O.D. shipments cannot be accepted.

Return the appliance to:

ATTN: Repair Department, Salton, Inc.  
708 South Missouri St. Macon MO, 63552

**For more information on Salton, Inc. products,** visit our website:

<http://www.eSalton.com>, or you can  
email us at: [salton@saltonusa.com](mailto:salton@saltonusa.com)

LOONEY TUNES, characters, names and all related indicia are trademarks of Warner Bros. © 2000.

Printed in China

©2000 Salton, Inc.



## Free Manuals Download Website

<http://myh66.com>

<http://usermanuals.us>

<http://www.somanuals.com>

<http://www.4manuals.cc>

<http://www.manual-lib.com>

<http://www.404manual.com>

<http://www.luxmanual.com>

<http://aubethermostatmanual.com>

Golf course search by state

<http://golfingnear.com>

Email search by domain

<http://emailbydomain.com>

Auto manuals search

<http://auto.somanuals.com>

TV manuals search

<http://tv.somanuals.com>