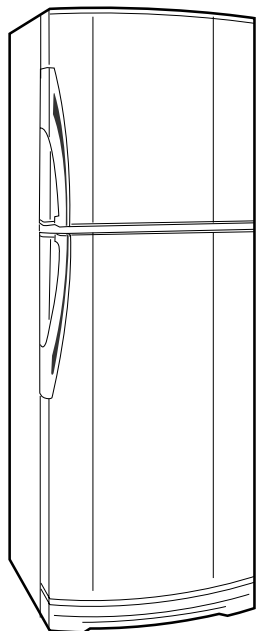


SHARP

CE



SJ-47L-A2 SJ-43L-A2

ДОМАШНИЙ ХОЛОДИЛЬНИК С МОРОЗИЛЬНОЙ КАМЕРОЙ ИНСТРУКЦИЯ ПО ЭКСПЛУАТАЦИИ REFRIGERATOR - FREEZER OPERATION MANUAL

СОДЕРЖАНИЕ

| | |
|---|---|
| • ВВЕДЕНИЕ | 1 |
| • ПРЕДУПРЕЖДЕНИЕ | 2 |
| • ОСТОРОЖНО | 2 |
| • УСТАНОВКА | 2 |
| • ЭКСПЛУАТАЦИЯ | 3 |
| • ХРАНЕНИЕ ПРОДУКТОВ | 3 |
| • УХОД И ЧИСТКА | 4 |
| • ЧТО ДЕЛАТЬ, ПРЕЖДЕ ЧЕМ ОБРАТИТЬСЯ В СЕРВИСНУЮ СЛУЖБУ | 4 |
| • ОПИСАНИЕ | 8 |

ВВЕДЕНИЕ

Мы благодарим Вас за покупку этого изделия фирмы ШАРП. Перед использованием Вашего холодильника ШАРП прочитайте, пожалуйста, данное руководство по эксплуатации с тем, чтобы получить от Вашего нового холодильника максимум пользы. Все пользователи холодильника должны быть в полной мере ознакомлены со всеми его функциями и мерами безопасности по эксплуатации.

Храните данное руководство в течение всего срока эксплуатации холодильника, чтобы любой, кто им пользуется, мог ознакомиться с его функциями и мерами безопасности при эксплуатации.

Данный аппарат соответствует требованиям Директив 96/57/ЕС, 89/336/ЕЕС и 73/23/ЕЕС с дополнениями 93/68/ЕЕС.

Важно:

- Данный холодильник предназначен только для домашнего использования в помещениях с диапазоном температур от +5°C до +38°C. Холодильник не следует оставлять надолго в помещении с температурой ниже -10°C.
- Холодильник предназначен для подключения к электросети с номинальным напряжением 220-240 В.

CONTENTS

| | |
|---|---|
| • INTRODUCTION | 1 |
| • WARNING | 5 |
| • CAUTION | 5 |
| • INSTALLATION | 5 |
| • OPERATION | 6 |
| • STORING FOOD | 6 |
| • CARE AND CLEANING | 7 |
| • WHAT TO DO BEFORE YOU CALL FOR SERVICE | 7 |
| • DESCRIPTION | 8 |

INTRODUCTION

Thank you very much for buying this SHARP product. Before using your SHARP refrigerator, please read this operation manual to ensure that you gain the maximum benefit from it.

All persons using the cabinet must be thoroughly familiar with its operation and safety features.

Keep this operation manual with the refrigerator if you move or if the cabinet changes owners so that whoever uses it can read about the various features and safety rules.

This equipment complies with the requirements of Directives 96/57/EC, 89/336/EEC and 73/23/EEC as amended by 93/68/EEC.

Important:

- This refrigerator is for domestic use only, with an ambient temperature between +5°C and +38°C. The refrigerator should not be subjected to temperatures of -10°C for long periods.
- To be used on 220-240V mains voltage.

WARNING

1. This refrigerator is airtight. TO PREVENT FATAL ACCIDENTS TO CHILDREN, please completely remove the door prior to discarding the refrigerator.
2. Highly volatile and inflammable materials such as ether, petrol, propane gas, adhesive agents and pure alcohol etc. are liable to explode. Do not store these materials in the refrigerator.
3. To prevent damage to the outer cabinet, avoid contact with lacquer, and paint, etc.
4. When cleaning your refrigerator, do not splash water directly on the outer cabinet or the interior. This may lead to rusting and deterioration of the electrical insulation.
5. If any areas adjacent to electrical components have to be cleaned, unplug the refrigerator first to prevent electric shock, then wipe the area with a dry cloth.
6. Should electrical components be accidentally immersed in water, unplug the refrigerator, dry the parts and contact your nearest service agent approved by SHARP.
7. This refrigerator is designed solely for the purpose of storing foodstuff for domestic use in accordance with the instructions given in this manual. Using the refrigerator for other purposes might be harmful to persons or property.
8. This refrigerator is not suitable for the storage of materials requiring precise temperatures. Deterioration of these materials will be dangerous.
9. Dust deposited on the power plug may cause fire. Wipe it off carefully.
10. When replacing the lamp bulb, unplug the refrigerator first to prevent electric shock.
11. Do not attempt to change or modify this refrigerator. This may result in fire, electric shock or injury.
12. **Information regarding disposal of the appliance**
Flammable insulation blowing gases should be disposed appropriately. Take the cabinet and doors to a recycling plant for flammable insulation blowing gases.

CAUTION

1. Do not touch the compressor unit, as it can become extremely hot during operation.
2. If the power supply is accidentally disconnected, please wait for at least 5 minutes before re-connecting the power, as back pressure in the compressor may trip the overload relay.
3. Avoid removing food from the freezer with your bare hands. Directly touching products stored at sub-zero temperatures can result in frostbite.
4. To prevent accidental power disconnection, plug the refrigerator directly to the source. Do not use a double adaptor as loss of power could lead to the spoiling of the stored food.
5. Do not place bottles in the freezer as they may crack when frozen.
6. Keep the door securely closed. If the door is left ajar, the controlled inner temperature will rise, resulting in food spoilage and increase in electricity costs.
7. Do not install the refrigerator in a damp or wet location as this may cause damage to the insulation and a leak. Condensation may also build on the outer cabinet and cause rust.
8. When installing or moving the refrigerator, make sure that you do not nip or kink the power cord. Damage of the power cord may cause electric shock or fire.
9. Do not use this refrigerator when the power cord or plug is damaged, or the outlet attachment is loose, as they may cause electric shock or fire.
10. Disconnect from the mains electricity supply by removing the mains plug from the electricity supply socket. Do not remove by pulling the mains lead. This may cause electric shock or fire.
11. Make sure that you leave adequate ventilation space around the refrigerator to prevent the compressor from overheating and stopping. Please follow the instructions given for installation.
12. The refrigeration system behind and inside the refrigerator contains refrigerant. If this system is punctured it could result in serious damage to your refrigerator, therefore do not allow any sharp objects to come into contact with the refrigeration system.
13. Should the flexible supply cord be damaged, it must be replaced by service agent approved by SHARP as a special cord is required.
14. In case of gas leak, ventilate the area by opening a window, etc. Do not touch the refrigerator or the power outlet.
15. Do not place heavy or easily broken objects on top of the refrigerator. Objects may fall when opening or closing the refrigerator, causing injury.
16. Do not place objects containing liquid on top of the refrigerator. Spillage may cause electric shock or fire.
17. Do not drop objects inside the refrigerator or strike the inner wall. This may cause the inner surface to crack.
18. This refrigerator is not intended for use by young children or infirm persons without supervision. Young children should be supervised to ensure that they do not play with the refrigerator.

INSTALLATION

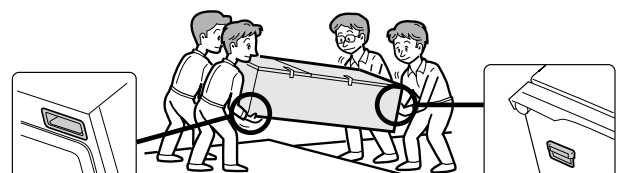
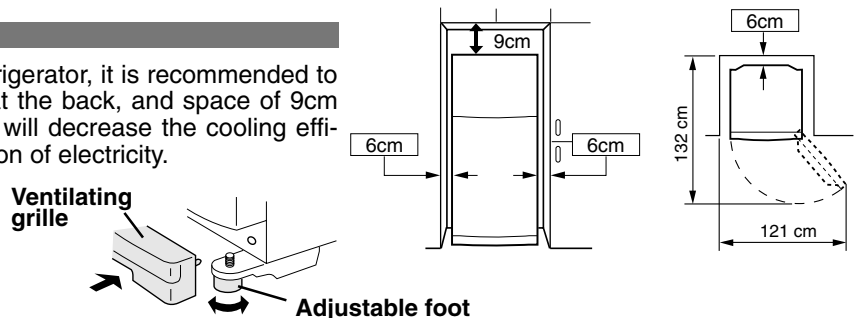
1. To ensure adequate ventilation for your refrigerator, it is recommended to provide space of 6cm on both sides and at the back, and space of 9cm above the refrigerator. Insufficient spacing will decrease the cooling efficiency, resulting in unnecessary consumption of electricity.
2. Using the two front Adjustable feet, ensure that the refrigerator is positioned firmly and level on the floor.

NOTE:

- Keep your refrigerator out of direct sunlight.
- Do not place next to heat generating appliance.
- Do not place directly on the ground. Provide suitable stand.

When transporting

1. Before transporting, wipe dry any water in the Evaporating pan located on the rear.
2. Carry the refrigerator by holding the handles located on the rear and bottom.

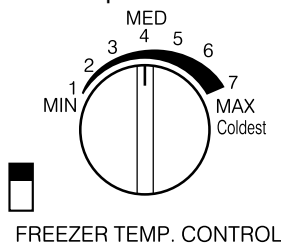


OPERATION

CONTROLLING TEMPERATURES

The refrigerator controls its temperature automatically. However, if needed, adjust the temperature as follows.

Freezer compartment



7(MAX)

For making ice rapidly or fast freezing.

4(MED)

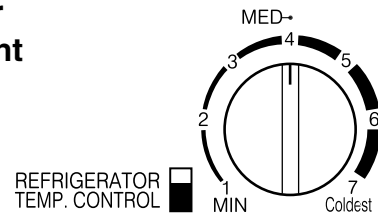
For normal freezing.

1(MIN)

When frozen food or ice cream is not stored.

- If the refrigerator is operated for a long time with FREEZER TEMP. CONTROL set at 7 (MAX), foods stored in the refrigerator compartment may also freeze.
- 2 star section (**) for storing frozen foods only. (not freezing)

Refrigerator compartment



7(Coldest)

For keeping foods fresher tasting. When the refrigerator does not provide sufficient cooling.

4(MED)

For normal operation.

1(MIN)

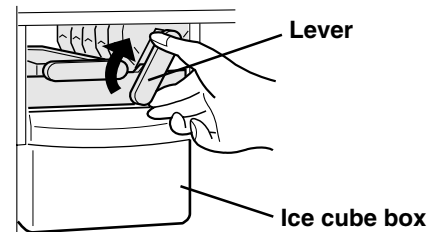
When the refrigerator provides excessive cooling.

- If the refrigerator is operated for a long time with REFRIGERATOR TEMP. CONTROL set at 7 (Coldest), foods stored in the refrigerator compartment may also freeze.
- Low ambient temperature may cause placed foods to freeze even if REFRIGERATOR TEMP. CONTROL is set to 1 (MIN).

HINTS WHEN MAKING ICE

1. Do not over fill the Ice cube trays; otherwise the ice cubes will be joined together when frozen.
2. When the ice cubes are made, turn the lever clockwise to empty the ice into Ice cube box.

NOTE: To prevent damage to the Ice cube box, do not make ice in the Ice cube box or pour oil into it.



DEFROSTING Defrosting is fully automatic due to a unique energy saving system. Whereby the defrost cycle start time is proportional to the running time of your refrigerator compressor, i. e., the less time the refrigerator compressor operates (during the winter season or you're away on holidays), the longer the time between each defrost cycle.

DEODORIZING UNIT A built-in unit which requires no manual operation because it automatically starts operating when the refrigerator is powered on.

STORING FOOD

Refrigeration reduces the rate of food spoilage. To maximize the shelf life of perishable food products, ensure that the food is of the freshest possible quality. The following is a general guide to help promote longer food storage.

Fruit / Vegetables

To minimize moisture loss, fruit and vegetables should be loosely enclosed in a plastic material e.g. wrap, bags (do not seal) and place in the Vegetable crisper. Those fruits and vegetables with thick skins e.g. oranges do not require wrapping.

Dairy Products & Eggs

- Most dairy products have a use by date on the outer packaging which informs the recommended temperature and shelf life of the product.
- Eggs should be stored in the Egg holder.

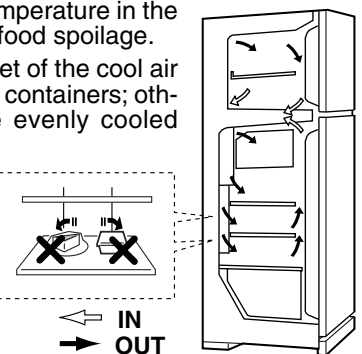
Meats / Fish / Poultry

- Place on a plate or dish and cover with paper or plastic wrap.
- For larger cuts of meat, fish, or poultry, place to the rear of the shelves.
- Ensure all cooked food is wrapped securely or placed in an airtight container.

NOTE:

- Evenly place the food on the shelves to allow the cooling air to circulate efficiently.
- Hot foods should be cooled before storing. Storing hot foods increases the temperature in the unit and increases the risk of food spoilage.
- Do not block the outlet and inlet of the cool air circulating circuit with foods or containers; otherwise the foods will not be evenly cooled throughout the refrigerator.

Do not place food directly in front of cold air outlet. This may lead to the food freezing.



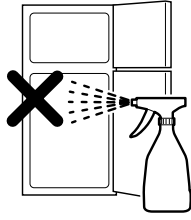
FOR BEST FREEZING

- Quality of foods should be fresh.
- Freeze small quantities of food at a time to freeze them quickly.
- Food should be properly stored or covered and the air should be removed to seal tightly.
- Evenly place the food in the freezer.
- Label bags or containers to keep an inventory of freezing food.

CARE AND CLEANING

Some household cleaning chemicals may affect the inside surfaces and plastic shelves resulting in splitting or cracks occurring.

When cleaning all plastic parts inside this refrigerator, only use diluted dishwashing liquid (soapy water). Make sure that all plastic parts are thoroughly rinsed with water after cleaning.

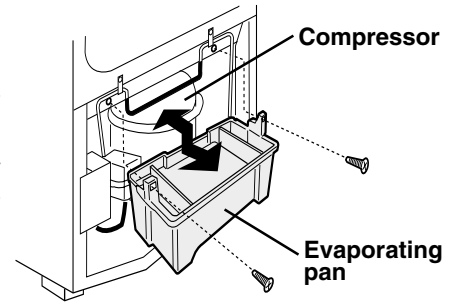


1. Remove the shelves and pockets from the cabinet and door. Wash them in warm soapy dishwashing water; rinse in clean water and dry.
2. Clean the inside with a cloth soaked in warm soapy dishwashing water. Then, use cold water to wipe off soapy water.
3. Wipe the exterior with a soft cloth each time it is soiled.
4. Clean the Magnetic door seal with a toothbrush and warm soapy dishwashing water.
5. Whenever the refrigerator is moved to clean or repositioned, the Evaporating pan should be removed and cleaned.

Evaporating pan;

How to remove/set

Remove the two screws to take the Evaporating pan off. Please pay attention to the safety since the compressor is very hot.



NOTE:

- Do not use polishing powder, benzene, hot water etc.
- If undiluted detergent is used or soapy water is not wiped off thoroughly, cracking of plastic parts can result.
- Wipe any food oils adhered to plastic components as they can cause cracking of the plastic surface.

Switching off your refrigerator

If you switch your refrigerator off when you are going away for an extended period, remove all food, clean the interior thoroughly. Remove the power cord plug from the power socket and leave all doors open.

WHAT TO DO BEFORE YOU CALL FOR SERVICE

Before you call for service, check the following point .

IT IS NORMAL for the refrigerator to produce the following sounds.

- Loud noise produced by the compressor when operation starts --- Sound becomes quieter after a while.
- Loud noise produced once a day by the compressor --- Operating sound produced immediately after automatic defrost operation.
- Sound of flowing fluid (gurgling sound, fizzing sound) --- Sound of refrigerant flowing in pipes (sound may become louder from time to time).

- Cracking or crunching sound --- Sound produced by expansion and contraction of inner walls and internal parts during cooling.
- Squeaking sound --- Sound produced by expansion and contraction of internal parts.

IT IS NORMAL that the outside of a cabinet may be hot when touched. The hot pipe is in the cabinet in order to prevent dew generation.

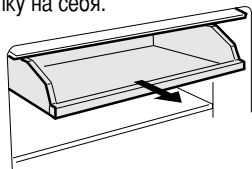
IF YOU STILL REQUIRE SERVICE

Refer to your nearest service agent approved by SHARP.

ОПИСАНИЕ DESCRIPTION

1. Ручка регулировки температуры морозильной камеры
2. Полка морозильной камеры
3. Секция приготовления кубиков льда
4. Коробка для кубиков льда
5. Дезодорирующий элемент
6. Камера для свежих продуктов

Крышка Камера для свежих продуктов открывается, если потянуть выдвигающемся уголку на себя.



7. Ручка регулировки температуры холодильной камеры

8. Освещение

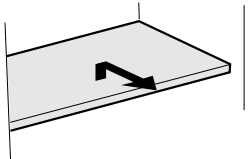
Замена лампы

Замените лампа на лампа таких же типов : исходный тип E12, МАКС 15W, T-20. При замене лампа убедитесь, что проектное напряжение и напряжение лампа соответствующие. (Проверьте этикетку возле колб лампа.)

При замене лампа накаливания прежде всего отключите холодильник от сети во избежание поражения электрическим током.

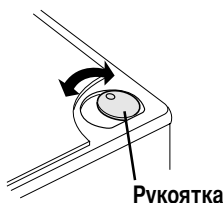
9. Полка холодильника

Для того, чтобы вынуть ее, потяните ее слегка вверх, а затем выньте ее.



10. Рукоятка

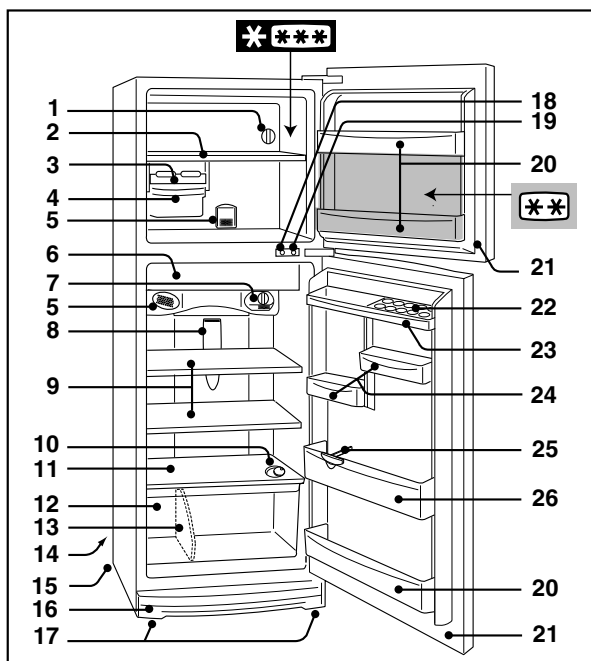
Доступ воздуха в секцию для хранения овощей и фруктов может контролироваться перемещением рукоятки вентиляционного отверстия вправо и влево.



11. Полка
12. Секция для хранения овощей
13. Разделительная пластина
14. Выпарной лоток (задняя сторона)
15. Ролики
16. Вентиляционная решетка
17. Регулируемые ножки
18. Выключатель вентиляции
19. Выключатель вентиляции и освещения
20. Отсек для бутылок
21. Дверной магнитный затвор
22. Держатель яиц
23. Дверное отделение для яиц
24. Малый отсек

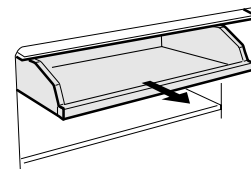
В этих отсеках можно хранить продукты небольшого размера. Продукты большого размера, типа бутылок с соком, могут выпасть из такого отсека при открывании или закрывании дверцы.

25. Предохранительное приспособление для бутылок
26. Отсек для бутылок



1. Freezer temp. control knob
2. Freezer shelf
3. Ice cube maker
4. Ice cube box
5. Deodorizing unit
6. Fresh case

The cover of the Fresh case opens as the case is pulled.



7. Refrigerator temp. control knob

8. Light

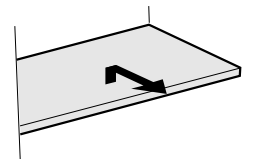
Replacing the lamp bulb

Replace the lamp bulb with same type : base E12, MAX 15W, T-20. Make sure that the rated voltage and wattage of the lamp bulb are correct when replacing. (Check the label near the bulb.)

When replacing the lamp bulb, unplug the refrigerator to prevent electric shock.

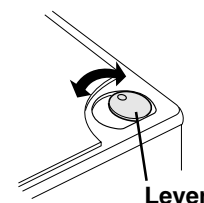
9. Refrigerator shelf

To remove, pull it up slightly, and then pull it off.



10. Lever

The airflow to the Vegetable crisper can be controlled by moving the vent hole lever to the right or left.



11. Shelf
12. Vegetable crisper
13. Separator plate
14. Evaporating pan(rear side)
15. Casters
16. Ventilating grille
17. Adjustable feet
18. Fan switch
19. Fan & light switch
20. Utility pocket
21. Magnetic door seal
22. Egg holder
23. Egg pocket
24. Small pocket
25. Bottle guard
26. Bottle pocket

Small foods can be stored in these pockets. Tall foods like a bottle of juice may fall down from the pocket when the door is opened or closed.

SHARP CORPORATION

OSAKA, JAPAN

Free Manuals Download Website

<http://myh66.com>

<http://usermanuals.us>

<http://www.somanuals.com>

<http://www.4manuals.cc>

<http://www.manual-lib.com>

<http://www.404manual.com>

<http://www.luxmanual.com>

<http://aubethermostatmanual.com>

Golf course search by state

<http://golfingnear.com>

Email search by domain

<http://emailbydomain.com>

Auto manuals search

<http://auto.somanuals.com>

TV manuals search

<http://tv.somanuals.com>