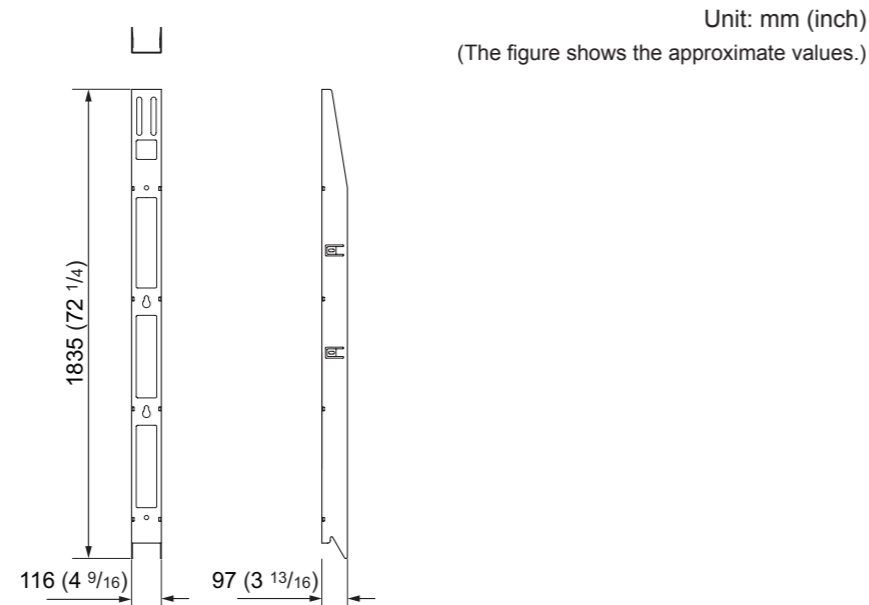


## Main specifications

Model	PN-ZK10
Dimensions	See the figure below.
Weight	Approx. 23 kg (50.7 lbs.) (Weight includes two mounting brackets and bolts)

As a part of our policy of continuous improvement, SHARP reserves the right to make design and specification changes for product improvement without prior notice. The performance specification figures indicated are nominal values of production units. There may be some deviations from these values in individual units.



**SHARP**<sup>®</sup>  
SHARP CORPORATION

Printed in Japan  
EN(1)

# SHARP<sup>®</sup>

## Operation Manual Mounting Bracket

Applicable models (as of July 2008) LCD MONITOR LB-1085

# PN-ZK10

### ● Thank you for purchasing a SHARP product.

Before using the product, please be sure to read this operation manual carefully. In particular, be sure to read the section "To ensure safe and correct use". After reading the manual, keep it in a convenient location where it can be accessed at any time.

### TIPS

- Please understand that Sharp Corporation bears no responsibility for errors made during use by the customer or a third party, nor for any other malfunctions or damage to this product arising during use, except where indemnity liability is recognized under law.
- This product and its accessories may be upgraded without advance notice.

## To ensure safe and correct use

This operation manual and the product use various displays and labels to ensure safe use. Ignoring these displays and labels and incorrectly using the product could have results as classified below.

Please read the following warning symbol information before reading the rest of this section, and be sure to strictly observe all instructions.

**⚠ Warning:** Not following these instructions could result in death or serious injury.

- **The installation must be performed by qualified service personnel.**  
Improper installation work may cause the monitor to fall or topple over, resulting in injury.
- **Only use the accessories with specified models. Do not modify the LCD Monitor or the accessories.**  
Otherwise, the monitor may fall or topple over, resulting in injury.
- **Install the LCD Monitor in a location with minimal vibration and that is strong enough to hold the weight of the LCD Monitor and mounting brackets.**  
Otherwise, the monitor may fall or topple over, resulting in injury.
- **Do not apply a load other than the LCD Monitor to the mounting brackets.**  
Otherwise, the monitor may fall or topple over, resulting in injury.

**⚠ Caution:** Not following these instructions could result in injury or property damage.

- **Tighten all the screws and bolts fully and securely.**  
Insufficient tightening may cause the monitor to fall or topple over, resulting in injury.
- **When any deformation or cracks are found please stop using the LCD Monitor.**  
Using the monitor without repairing the problem may cause the monitor to fall or topple over, resulting in injury.

# Supplied accessories

Confirm that the following accessories have been provided with the product.

- |   |   |  |
|---|---|--|
| <input type="checkbox"/> Mounting bracket x 2 | <input type="checkbox"/> Countersunk bolt (M10) x 2 | <input type="checkbox"/> M16 plain washer x 4                    |
| <input type="checkbox"/> M8 bolt x 4          | <input type="checkbox"/> M8 spring washer x 4       | <input type="checkbox"/> M10 (countersunk bolt) plain washer x 2 |
| <input type="checkbox"/> M10 bolt x 4         | <input type="checkbox"/> M8 plain washer x 4        | <input type="checkbox"/> Operation manual (this manual)          |
| <input type="checkbox"/> M16 bolt x 8         | <input type="checkbox"/> M16 spring washer x 4      |  |

# Precautions on use

- The installation, removal, or transportation of the LCD Monitor must be performed by qualified service personnel. The LCD Monitor is large and heavy. Installation requires special knowledge and qualifications.
- Customers should not attempt to install, remove, or transport the LCD Monitor by themselves.
- SHARP shall have no liability for any accidents or damages caused by improper installation or mishandling.
- The installation requires two H-shaped steel frames set upright with bored mounting screw holes. For details, contact your product dealer.

# Installation procedure

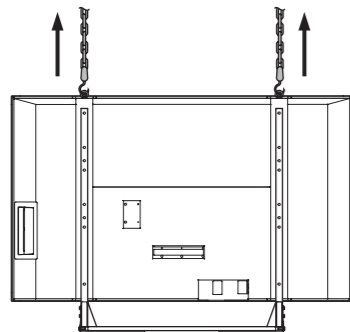
## Caution

- The LCD Monitor is large and heavy. It must be moved with a hoisting device (chain block, etc.).
- Installation requires at least four people.

**1** Move the LCD Monitor in front of the H-shaped steel frame to which it will be attached.

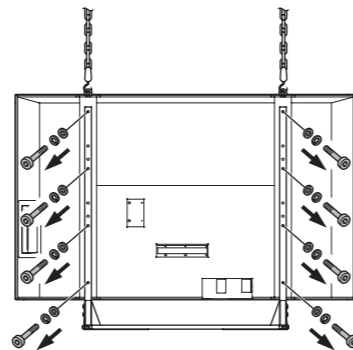
**2** Insert the hooks of the hoisting device into the eye bolts of the LCD Monitor and slightly lift the monitor.

- Lift up the monitor so that the hoisting chains become taut.



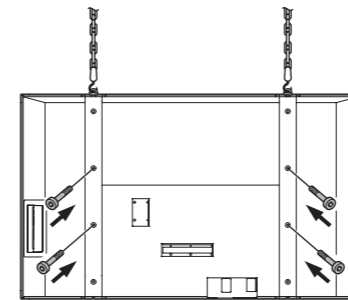
**3** Remove the stand mounting bolts on the rear and detach the LCD Monitor from the stand.

- Loosen the 8 bolts gradually and evenly. If it is difficult to loosen the bolts, lift the monitor up slightly with the hoisting device to reduce the load on the bolts.
- Check the hoisting condition frequently to prevent the LCD Monitor from falling.

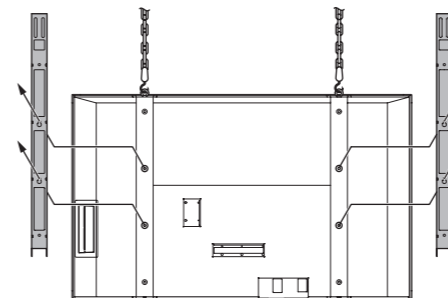


**4** Attach the mounting brackets on the rear of the LCD Monitor.

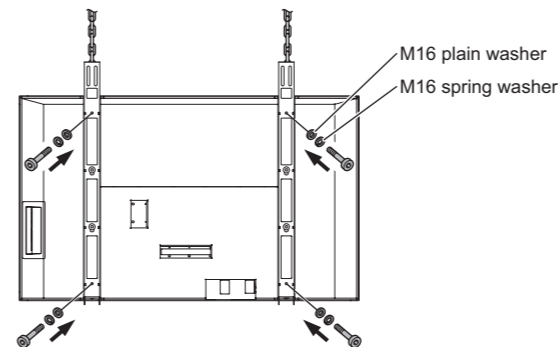
- 1) Attach 4 supplied M16 bolts, 2 on the right and 2 on the left as shown below, and slightly tighten the bolts.



- 2) Attach the mounting brackets by inserting the bolts through the 2 holes in the center.



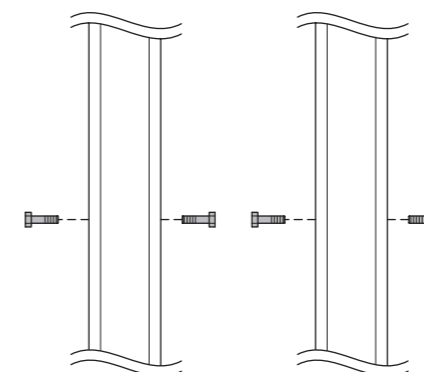
- 3) Secure the mounting brackets with 4 supplied M16 bolts inserted into the remaining 2 holes on each side.



- 4) Fully tighten the bolts which were tightened halfway in step 1).

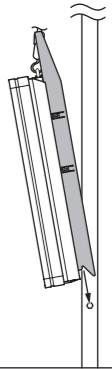
**5** Attach the supplied M10 bolts to the H-shaped steel frame so that you can hook the LCD Monitor (mounting brackets).

- 1) Attach the bolts onto the both sides of the right and left frames and ensure that all 4 of the bolts are aligned at the same height.

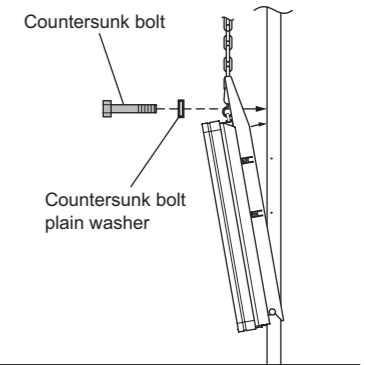


**6** Attach the LCD Monitor (mounting brackets) to the H-shaped steel frame.

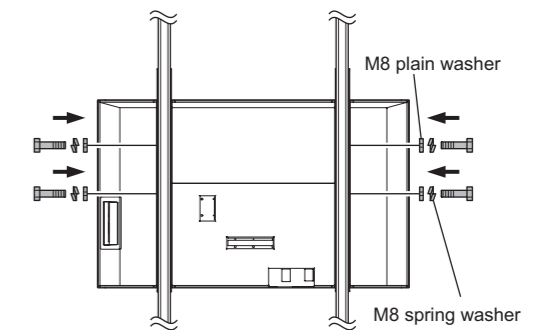
- 1) Hook the bottoms of the mounting brackets to the bolts attached in step 5.



- 2) Confirm that the mounting brackets are securely hooked and then attach the 2 supplied countersunk bolts.
- 3) Tighten the countersunk bolts while gradually loosening the chains of the hoisting device.



- 4) Insert the 4 supplied M8 bolts from the sides of the mounting brackets (2 for each) and secure them.



**7** Confirm that the LCD Monitor is mounted securely, and then remove the hooks of the hoisting device.

## Free Manuals Download Website

<http://myh66.com>

<http://usermanuals.us>

<http://www.somanuals.com>

<http://www.4manuals.cc>

<http://www.manual-lib.com>

<http://www.404manual.com>

<http://www.luxmanual.com>

<http://aubethermostatmanual.com>

Golf course search by state

<http://golfingnear.com>

Email search by domain

<http://emailbydomain.com>

Auto manuals search

<http://auto.somanuals.com>

TV manuals search

<http://tv.somanuals.com>