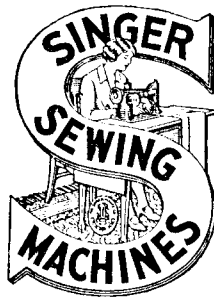


SINGER

12W208, W209

LIST OF PARTS



MACHINES

Nos. 12w208 and 12w209

THE SINGER MANUFACTURING COMPANY

INDEX

| | PAGE |
|-------------------------------|------|
| ACCESSORIES | 15 |
| BOBBIN WINDER | 15 |
| KNEE LIFTER | 17 |
| MACHINE NO. 12w208 | 7 |
| " " 12w209 | 14 |
| NUMERICAL LIST OF PARTS | 19 |
| STARTING TREADLE | 16 |
| THROAT PLATES | 17 |

Instructions for Ordering

In ordering from this list, use **ONLY** the **PART** number in the **FIRST** column.

The number stamped on a Sewing Machine Part is the number of the Single Part only, except when the part includes Set Screws, Clamping Screws, Studs and Rollers Spun on, Small Wires riveted, or Parts soldered together, etc., which it is necessary to furnish in combination.

Every combination of parts sent out has its specific number which, although not stamped on Parts (except in above case), must be used when ordering the combination.

Each number always indicates the **SAME PART** in whatever list it appears, or for whatever Machine.

The letters after some of the numbers indicate the style of finish only, as follows:

- A. Hardened, Polished and Plated.
- B. Polished and Plated.
- C. Hardened only.
- D. Polished only.
- E. Soft, not polished.
- F. Hardened and Polished
- H. Blued.
- J. Nickel Plated only
- R. Merlized.
- Y. Black Nickel Plated only.

These letters **MUST BE USED** when they appear in the list and **AFTER** the number, as in the list.

In this series

200001 to 201500 and 350001 to 351500 are Screw Numbers.
201501 to 201800 and 351501 to 351800 are Nut Numbers.
201801 to 202000 and 350801 to 352000 are Roller Numbers.
202001 to 350000 are Numbers of Machine Parts.

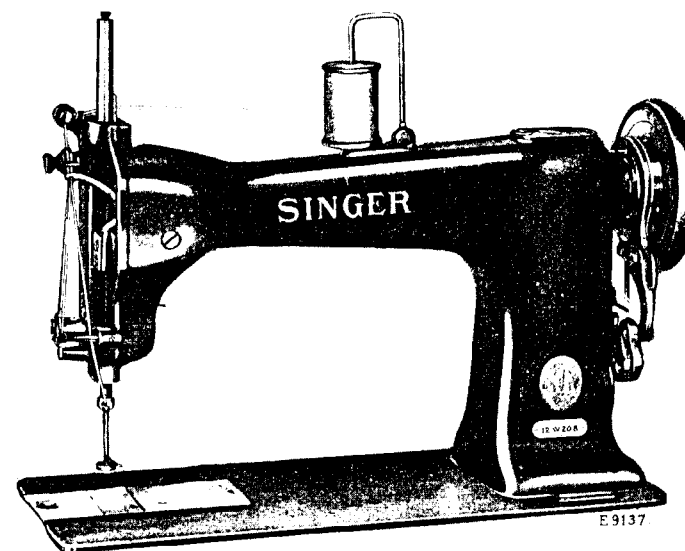
The figures in the second column refer only to the plate in which the illustration of the part is shown and are **NOT TO BE USED** in ordering.

Two or more numbers over a cut indicate that the difference between such parts is not visible in an illustration.

Parts marked with an asterisk (*) are furnished only when repairs are made at the factory.

LIST OF PARTS COMPLETE

FOR



MACHINE No. 12w208

HAS STOP MOTION. NO FEED MOTION

For Tacking Coat Pads, Shoulder Pads and
Stair Pads, Basting Coats, etc.

| No. | Plate | Name |
|---------|-------|---|
| *207885 | ----- | Arm |
| 204163 | 12785 | " Cap |
| 200278H | 12784 | " " Screw |
| 202248 | 12784 | " " " Washer |
| 204235 | 12784 | " Position Pin (2) |
| 200010E | 12784 | " Screw (3) |
| 202005 | 12784 | " " Washer (3) |
| 207886 | 12786 | " Shaft |
| 204736 | 12785 | " " Bushing (back) |
| 200383C | 12784 | " " " " Set Screw |
| 207887 | 12785 | " " " (front) with |
| | | 202260 |
| 202260 | ----- | Arm Shaft Bushing (front) Oil Packing (wick) |

| No. | Plate | Name |
|---------|-------|---|
| 200502B | 12784 | Arm Shaft Bushing (front) Oil Packing Thumb Screw |
| 200338C | 12784 | Arm Shaft Bushing (front) Set Screw |
| 204706 | 12786 | Arm Shaft Connection with four 200054E (2) |
| 200054E | 12784 | Arm Shaft Connection Screw |
| 207833 | 12786 | Balance Wheel (belt groove 2 3/4 in. diameter) |
| 200776D | 10494 | Balance Wheel Adjusting Screw .. |
| 207834 | — | Balance Wheel complete, Nos. 204741, 207833, 223002, 235328, 235396, three each 200233C, 204744 and four 200567U |
| *207888 | — | Bed with 203376, 204245, 204393 and two 200516E |
| 202258 | 12153 | Bed Hinge Connection (2) |
| 200570E | 12784 | " " " Screw (4) |
| 206105 | 12785 | " Slide (back) |
| 204177 | 12785 | " " (front) |
| 206076 | 12784 | Bobbin |
| 208382 | 12784 | " Case (solid center bearing) with 204181 |
| 204181 | 12784 | Bobbin Case Position Finger |
| 204531 | 12784 | " " Tension Spring |
| 200598C | 12784 | " " " " Adjusting Screw |
| 200592C | 12784 | Bobbin Case Tension Spring Screw |
| 208383 | — | Bobbin Case complete, Nos. 200592C, 200598C, 204531 and 208382 |
| 207814 | — | Face Plate with 200366U, 202087, 202090, 204185, 204281, 204730, two each 200368U and 200397U .. |
| 200053C | 12784 | Face Plate Screw |
| 204185 | 12784 | " " Thread Guide |
| 200397U | 12309 | " " " " Set Screw |
| 207815 | 12701 | Face Plate complete, Nos. 200577U, 204059, 204272, 204731, 204795, 207812 to 207814, two each 200118F and 200309E |
| 204216 | 10449 | Hook (sewing) with 204217 |
| 204217 | 10449 | " Bobbin Case Stud |
| 204218 | 10446 | " Bracket with 200379C and three 204234 |
| 204219 | 10448 | Hook Bracket 204218 with 204226 .. |
| 207820 | — | " " 204219 with 204224, 204225, 204229, 204539, two each 204223 and 204231 |
| 200379C | 10446 | Hook Bracket Adjusting Screw (lower) |

| No. | Plate | Name |
|---------|-------|---|
| 200334C | 12784 | Hook Bracket Adjusting Screw (upper) |
| 204539 | 12784 | Hook Bracket Bobbin Case Stop (hinged) |
| 204223 | 10448 | Hook Bracket Bobbin Case Stop Hinge Pin |
| 204224 | 10446 | Hook Bracket Bobbin Case Stop Latch |
| 204223 | 10448 | Hook Bracket Bobbin Case Stop Latch Hinge Pin |
| 204225 | 10446 | Hook Bracket Bobbin Case Stop Latch Spring |
| 200562C | 10446 | Hook Bracket Screw (lower) |
| 200564C | 10446 | " " " (upper) |
| 207821 | — | Hook Bracket complete, Nos. 204216 and 207820 |
| 204239 | 10449 | Hook Driver with 204242 and 204243 |
| 204393 | 12784 | " " Bushing |
| 208246 | — | " " Crank |
| 204240 | 10449 | " " " 208246 with 200378C, 200662C, 201530E and two 200348C |
| 204241 | 12784 | Hook Driver Crank Link |
| 200669C | 10448 | " " " " Stud |
| 201530E | 10448 | " " " " " Nut |
| 200348C | 10448 | " " " Set Screw (long) |
| 200378C | 12784 | " " " " " (short) |
| 200662C | 10448 | " " " Stud |
| 201530E | 10448 | " " " " Nut |
| 204243 | 10449 | " " Pin |
| 204242 | 10449 | " " Washer |
| 207889 | 12786 | " Driving Shaft |
| 204245 | 12785 | " " " Bearing |
| 202126 | 12784 | " " " " Position Pin |
| 200516E | 12784 | Hook Driving Shaft Bearing Screw |
| 204246 | 12784 | " " " Collar with two 200383C |
| 200383C | 12784 | Hook Driving Shaft Collar Set Screw |
| 204201 | 12785 | Hook Driving Shaft Crank with 200335C, 200431C, 200669C and 201530E |
| 200431C | 12784 | Hook Driving Shaft Crank Position Screw |
| 200335C | 10494 | Hook Driving Shaft Crank Set Screw |
| 204226 | 12785 | Hook Race, .156 in. thick, 1.906 in. diameter |

| No. | Plate | Name |
|---------|-------|--|
| 204229 | 10446 | Hook Race Cap (iron) |
| 204230 | 10446 | " " " Spring |
| 204231 | 10446 | " " " " 204230 with 200792E |
| 200792E | 10446 | Hook Race Cap Spring Screw |
| 204234 | 10446 | " " Position Pin |
| 235328 | 12786 | Machine Driving Friction (leather) |
| 204741 | 12786 | " " " Clamp |
| 204742 | 12785 | " " " " Oper- ating Washer |
| 204743 | 12786 | Machine Driving Friction Clamp Operating Washer Incline Lever |
| 200233c | 10494 | Machine Driving Friction Clamp Screw |
| 204744 | 10494 | Machine Driving Friction Clamp Spring |
| 235396 | 12786 | Machine Driving Friction Position Plate |
| 200567H | 12784 | Machine Driving Friction Position Plate Screw |
| 204745 | 12786 | Machine Incline Lever with 201230E and 201537E |
| 207890 | 12786 | Machine Incline Lever Bearing with 200383c and 204736 |
| 200565E | 12784 | Machine Incline Lever Bearing Screw (3) |
| 201230E | 12787 | Machine Incline Lever Position Screw |
| 201537E | 12319 | Machine Incline Lever Position Screw Check Nut |
| 201072D | 12787 | Machine Incline Lever Screw |
| 202622 | 10494 | " " " " Washer |
| 223001 | 12785 | " Starting Lever |
| 200219D | 10494 | " " " Hinge Screw |
| 200335c | 10494 | " " " " " |
| | | Set Screw |
| 223002 | 12786 | Machine Stop Cam with 200328c, 200335c, 200370c, 204747 and 206427 |
| 204747 | --- | Machine Stop Cam Friction Ring (leather) |
| 206427 | 12787 | Machine Stop Cam Friction Ring Position Pin |
| 200328c | 10494 | Machine Stop Cam Position Screw |
| 200370c | 12787 | " " " " " Check Screw |

| No. | Plate | Name |
|---------|-------|---|
| 200335c | 10494 | Machine Stop Cam Set Screw |
| 223013 | 12787 | " " " Slide |
| 200249F | 10494 | " " " " Hinge Screw |
| 201525E | 10494 | " " " " " " Nut |
| 223015 | 12785 | Machine Stop Cam Slide Lever |
| 223016 | --- | " " " " " 223015 with 200122D, 200249F, 200991F, 201822, 223013, 223014 and two 201525E |
| 200258D | 10494 | Machine Stop Cam Slide Lever Hinge Screw |
| 201522E | 12787 | Machine Stop Cam Slide Lever Hinge Screw Nut |
| 201822 | 10494 | Machine Stop Cam Slide Lever Roller |
| 200991F | 12787 | Machine Stop Cam Slide Lever Roller Screw Stud |
| 201525E | 10494 | Machine Stop Cam Slide Lever Roller Screw Stud Nut |
| 223014 | 12787 | Machine Stop Cam Slide Spring |
| 200122D | 12787 | " " " " " Screw |
| 223017 | --- | Machine Stop Motion complete, Nos. 200219D, 200258D, 200776D, 201072D, 201522E, 202622, 204742, 204743, 204745, 207834, 223001 and 223016 |
| 207837 | 12785 | Needle Bar (hollow) with 207840 .. |
| 204717 | 12787 | " " Connecting Link |
| 200658c | 12787 | " " " " Hinge Screw Stud |
| 200346c | 12787 | Needle Bar Connecting Link Hinge Screw Stud Set Screw |
| 204479 | 12787 | Needle Bar Connecting Link Hinge Screw Stud Set Screw Packing (brass) |
| 204249 | 12787 | Needle Bar Connecting Stud with 200072c and 202277 |
| 202277 | --- | Needle Bar Connecting Stud Oil Packing (wick) |
| 200072c | 12787 | Needle Bar Connecting Stud Pinch Screw |
| 207835 | 12787 | Needle Bar Guard |
| 204326 | --- | " " Packing Cord (2) |
| 200504E | 12787 | " " Screw Bushing (lower) |
| *207840 | --- | " Clamp with 200420F |
| 200420F | 10494 | " " Set Screw |
| 204757 | 12786 | " Stripper Bar with 204758 and two 200610F |

| No. | Plate | Name |
|---------|-------|--|
| 204758 | 12787 | Needle Stripper Bar Position Guide |
| 200610F | 10494 | " " " " " |
| | | Screw |
| 200846E | 10494 | Needle Stripper Bar Screw Bushing |
| 204759 | 12785 | " " " Spring |
| 204334 | 10494 | " " " " Seat ... |
| 201608B | 12787 | " " " T h u m b N u t |
| 201540E | 10494 | " " " " " " |
| | | Check Nut |
| 206482 | 12787 | Needle Stripper Bar Thumb Nut Washer |
| 207839 | — | Needle Bar and Stripper complete, Nos. 200846E, 201540E, 201608B, 204334, 204757, 204759, 206482 and 207837 |
| 202068 | 12153 | Spool Holder Base |
| 200575H | 12787 | " " " Screw |
| 204296 | 12153 | " " Wire |
| 200079H | 12787 | " " " Hinge Screw ... |
| 204297 | 12153 | Spool Holder complete, Nos. 200079H, 202068 and 204296 |
| 204722 | 12786 | Take-up Cam with 200335c, 200346c, 200383c, 200430c, 200658c and 204479 |
| 200430c | 12787 | Take-up Cam Position Screw |
| 200383c | 12784 | " " " " Check Screw |
| 200335c | 10494 | Take-up Cam Set Screw |
| 204262 | 12788 | " Lever |
| 208372 | — | " " 204262 with 204723 ... |
| 204723 | 12788 | " " Bearing with 204264 ... |
| 204264 | 12788 | " " " Position Pin ... |
| 200042F | 12788 | " " " Screw |
| 201816 | 12788 | " " Roller |
| 213816 | — | Take-up Lever complete, Nos. 200042F, 201816 and 208372 |
| 244007 | 12309 | Tension Disc |
| 202090 | 12309 | " " Position Pin |
| 207812 | 12702 | " Release Lever |
| 207813 | 12702 | " " " Operating Lev- er (adjustable) |
| 200118F | 12788 | Tension Release Lever Operating Lever Screw |
| 200309E | 12309 | Tension Release Lever Screw ... |
| 202075 | 12309 | " " Plunger |
| 202407 | 12309 | " Spring |
| 200632B | 12309 | " Stud |
| 200397H | 12309 | " " Set Screw |
| 201572B | 12309 | " Thumb Nut |
| 204271 | 12309 | " Washer |

| No. | Plate | Name |
|---------|-------|--|
| 204272 | 12309 | Tension complete, Nos. 200632B, 201572B, 202075, 202407, 204271 and two 244007 |
| 204274 | 12309 | Thread Controller Plate |
| 200577H | 12788 | " " " Screw ... |
| 202098 | 12309 | " " Roller |
| 204275 | 12309 | " " " Guard |
| 202084 | 12309 | " " " Washer |
| 200300c | 12309 | " " " Screw |
| 204726 | 12788 | " " Spring |
| 204333 | 12309 | " " " Guard |
| 200581H | 12309 | " " " " Screw |
| 202087 | 12788 | " " " Stop |
| 204795 | 12788 | " " " Stud with 204925 |
| 200368H | 12309 | Thread Controller Spring Stud Set Screw |
| 204925 | 12788 | Thread Controller Spring Stud Washer |
| 204730 | 12788 | Thread Controller Thread Guard |
| 200368H | 12309 | " " " " " Set Screw |
| 205987 | 12309 | Thread Controller complete, Nos. 200300c, 200581H, 202084, 202098, 204274, 204275 and 204333 |
| 204731 | — | Thread Controller and Spring com- plete, Nos. 204726 and 205987 ... |
| 202413 | 12788 | Thread Guide |
| 204281 | 12309 | " Retainer Guide Wire |
| 202091 | 12309 | " " Sleeve |
| 202092 | 12309 | " " Spring |
| 204058 | 12309 | " " Stud |
| 200366H | 12309 | " " " Set Screw |
| 204059 | 12309 | Thread Retainer complete, Nos. 202091, 202092 and 204058 |
| 207418 | 12788 | Throat Plate, 46 needle hole, for needle sizes 16 and 18 |
| 203376 | 12788 | Throat Plate Position Pin |
| 200577H | 12788 | " " Screw |

MACHINE No. 12w209

HAS STOP MOTION. NO FEED MOTION

For Tacking Coat Pads, Shoulder Pads and
Stair Pads, Basting Coats, etc.

Same as Machine No. 12w208 with the following
exceptions:

| No. | Plate | Name |
|---------|-------|---|
| 227465 | 12790 | Knee Presser Lever |
| 227470 | — | “ “ “ 227465 with 200262H |
| 200262H | 12789 | Knee Presser Lever Hinge Screw.. |
| 227310 | 12790 | “ “ “ Rod with 202302 |
| 202302 | 12789 | “ “ “ “ Cotter Pin |
| 208380 | 12790 | Presser Bar |
| 213639 | 12789 | “ “ Collar with 200380c... |
| 200380c | 12319 | “ “ “ Set Screw |
| 204253 | 12789 | “ “ Lifting Bracket with 200086c |
| 200086c | 12789 | Presser Bar Lifting Bracket Pinch Screw |
| 204720 | 12789 | Presser Bar Lifting Bracket Posi- tion Guide |
| 200362c | 12789 | Presser Bar Lifting Bracket Posi- tion Guide Set Screw |
| 204327 | — | Presser Bar Packing Washer (felt) |
| 200504E | 12787 | “ “ Screw Bushing (lower) |
| 204259 | 12789 | “ “ Spring |
| 200499H | 12789 | “ “ Thumb Screw (pres- sure regulating) |

ACCESSORIES

FOR MACHINE No. 12w208

| No. | Plate | Name |
|---------|-------|---|
| 206076 | 12784 | Bobbin (5) |
| *225482 | — | “ Case Screw Driver Blade .. |
| *225483 | — | “ “ “ “ Handle .. |
| 225497 | 12153 | Bobbin Case Screw Driver com- plete, Nos. 225482 and 225483 .. |
| 129 x 1 | — | Needles, six, size 22 |
| 228213 | — | Drip Pan with four 1 in. wire nails |
| 41400 | 12153 | Machine Rest Pin (wood) |
| 120342 | 12153 | Oiler (copper plated) with 120343 |
| 120343 | 12153 | “ Spout (3½ in. long) |
| *225484 | — | Screw Driver Blade |
| *225485 | — | “ “ Handle |
| 225498 | 12153 | Screw Driver complete (7¼ in. long), Nos. 225484 and 225485 .. |
| 225554 | 12153 | Wrench |

BOBBIN WINDER

Swing Automatic, Right Hand

| | | |
|---------|-------|--|
| 202470 | 12320 | Base |
| 202471 | 12320 | Frame |
| 200221D | 12319 | “ Hinge Screw |
| 202472 | 12319 | “ Spring |
| 200161D | 12319 | “ “ Screw |
| 202473 | 12320 | Pulley with 200380c |
| 200380c | 12319 | “ Set Screw |
| 202474 | 12320 | Spindle |
| 227522 | 12319 | Stop Latch |
| 200056E | 12319 | “ “ Screw |
| 202477 | 12319 | “ “ Thumb Lever |
| 200299H | 12319 | “ “ “ “ Hinge Screw |
| 200299H | 12319 | “ “ “ “ Joint Screw |
| 201537H | 12319 | “ “ “ “ “ “ “ Nut |
| 202478 | 12319 | Stop Latch Trip Lever |
| 200299H | 12319 | “ “ “ “ Hinge Screw |
| 227523 | 12320 | Bobbin Winder complete, Nos. 200056E, 200161D, 200221D, 201537H, 202470 to 202474, 202477, 202478, 227522, three 200299H and two round head wood screws ¾ in., No. 12 |

| No. | Plate | Name |
|---------|-------|--|
| 202480 | 12320 | Spool Holder Base with 200355u and 202484 |
| 202481 | 12320 | Spool Holder Base Spool Pin |
| 202482 | 12319 | " " Tension Disc (lower or upper) |
| 200011b | 12319 | Spool Holder Tension Disc Screw |
| 200355u | 12319 | " " " " " " Set Screw |
| 202483 | 12319 | Spool Holder Tension Disc Spring (brass) |
| 202484 | 12319 | Spool Holder Tension Disc Thread Guide |
| 202485 | 12320 | Bobbin Winder Spool Holder complete, Nos. 200011b, 202480, 202481, 202483, two 202482 and one wood screw 1 in., No. 13 |
| 227524 | --- | Bobbin Winder and Spool Holder complete, Nos. 202485 and 227523 |

STARTING TREADLE

| | | |
|---------|-------|--|
| 126036 | 12790 | Treadle |
| 126037 | --- | " 126036 with 2718r, 50581r and 126038 |
| 126038 | 12790 | Treadle Extension |
| 50581r | 12789 | " " Screw |
| 2718r | 12789 | " " " Washer |
| 228189 | --- | Treadle complete, Nos. 126037 and two 206386 |
| 228190 | --- | Treadle and Pitman complete, Nos. 227957 and 228189 |
| 204696 | 12789 | Treadle Lifting Spring |
| 204697 | 12789 | " " " Hook (bench) |
| 204698 | 12790 | " Pitman Rod (upper) with 202302 |
| 227956 | 11951 | Treadle Pitman Rod (lower) |
| 204126 | 12789 | " " " Clamp with two 200530c |
| 200530c | 12789 | Treadle Pitman Rod Clamp Set Screw |
| 202302 | 12789 | Treadle Pitman Rod Cotter Pin .. |
| 227957 | 11951 | Starting Treadle Pitman complete, Nos. 204696 to 204698, 227956 and two 204126 |
| 206386 | 11951 | Treadle Stand (left or right) with two wood screws 1 in., No. 12 .. |

FOR MACHINE No. 12w209

Same as for No. 12w208 with the following exception:

| No. | Plate | Name |
|--------|-------|--|
| 126 x3 | --- | Needles, six, size 22, in place of 129x1 |

KNEE LIFTER

| | | |
|--------|-------|---|
| 2763 | 13395 | Rock Shaft |
| 228278 | 13395 | " " Hanger (back) with 356c |
| 228279 | --- | Rock Shaft Hanger 228278 with 202452 and 228282 |
| 228280 | 13395 | Rock Shaft Hanger (front) with two 356c |
| 228281 | --- | Rock Shaft Hanger 228280 with 202452 and 228282 |
| 228282 | 13395 | Rock Shaft Hanger Bracket with two wood screws $\frac{3}{4}$ in., No. 12 .. |
| 202452 | --- | Rock Shaft Hanger Hinge Pin |
| 228283 | 13395 | " " Lifting Lever with two 356c |
| 227728 | 13395 | Rock Shaft Lifting Lever Rod with 227729 |
| 227729 | --- | Rock Shaft Lifting Lever Rod Cap |
| 356c | --- | " " " " " " Set Screw |
| 356c | --- | Rock Shaft Lifting Lever Set Screw |
| 202455 | 13395 | " " Knee Arm |
| 356c | --- | " " " " Set Screw .. |
| 228284 | 13395 | " " " Plate with 356c .. |
| 356c | --- | " " " " Set Screw .. |
| 356c | --- | " " " Set Screw |
| 228285 | 13395 | Knee Lifter Rock Shaft complete, Nos. 2763, 202455, 227728, 228279, 228281, 228283 and 228284 |

THROAT PLATES

| | | |
|--------|-------|--|
| 207418 | 12788 | Throat Plate, 46 needle hole, for needle sizes 16 and 18 |
| 207424 | 12788 | Throat Plate, 50 needle hole, for needle sizes 14 and 15 |

NUMERICAL LIST OF PARTS
FOR
MACHINES
Nos. 12w208 and 12w209

NUMERICAL LIST OF PARTS

| No. | Plate | Name |
|---------|-------|---|
| 356c | | Knee Lifter Rock Shaft Knee Arm Set Screw, for 228280 |
| 356c | | Knee Lifter Rock Shaft Knee Plate Set Screw, for 228284 |
| 356c | | Knee Lifter Rock Shaft Lifting Lever Set Screw, for 228283 |
| 356c | | Knee Lifter Rock Shaft Set Screw, for 228278 and 228280 |
| 356c | | Knee Lifter Lifting Lever Rod Set Screw, for 228283 |
| 2718R | 12789 | Starting Treadle Extension Screw Washer, for 126037 |
| 2763 | 13395 | Knee Lifter Rock Shaft, for 228285 |
| 41400 | 12153 | Machine Rest Pin (wood) |
| 50581R | 12789 | Starting Treadle Extension Screw, for 126037 |
| 120342 | 12153 | Oiler (copper plated) with 120343... |
| 120343 | 12153 | " Spout (3½ in. long), for 120342 |
| 126036 | 12790 | Starting Treadle, for 126037 |
| 126037 | | " " 126036 with 2718R, 50581R and 126038, for 228189 ... |
| 126038 | 12790 | Starting Treadle Extension, for 126037 |
| 200010E | 12784 | Arm Screw |
| 200011D | 12319 | Bobbin Winder Spool Holder Tension Disc Screw, for 202485 |
| 200042E | 12788 | Take-up Lever Bearing Screw, for 213816 |
| 200053C | 12784 | Face Plate Screw |
| 200054E | 12784 | Arm Shaft Connection Screw, for 204706 |
| 200056E | 12319 | Bobbin Winder Stop Latch Screw, for 227523 |
| 200072C | 12787 | Needle Bar Connecting Stud Pinch Screw, for 204249 |
| 200079H | 12787 | Spool Holder Wire Hinge Screw, for 204297 |
| 200086C | 12789 | Presser Bar Lifting Bracket Pinch Screw, for 204253 |
| 200118E | 12788 | Tension Release Lever Operating Lever Screw, for 207815 |
| 200122H | 12787 | Machine Stop Cam Slide Spring Screw, for 223016 |

| No. | Plate | Name |
|---------|-------|--|
| 200161D | 12319 | Bobbin Winder Frame Spring Screw, for 227523 |
| 200219D | 10494 | Machine Starting Lever Hinge Screw, for 223017 |
| 200221D | 12319 | Bobbin Winder Frame Hinge Screw, for 227523 |
| 200233C | 10494 | Machine Driving Friction Clamp Screw, for 207834 |
| 200249F | 10494 | Machine Stop Cam Slide Hinge Screw, for 223016 |
| 200258D | 10494 | Machine Stop Cam Slide Lever Hinge Screw, for 223017 |
| 200262H | 12789 | Knee Presser Lever Hinge Screw, for 227470 |
| 200278H | 12784 | Arm Cap Screw |
| 200299H | 12319 | Bobbin Winder Stop Latch Thumb Lever Hinge Screw, for 227523 .. |
| 200299H | 12319 | Bobbin Winder Stop Latch Thumb Lever Joint Screw, for 227523 .. |
| 200299H | 12319 | Bobbin Winder Stop Latch Trip Lever Hinge Screw, for 227523 .. |
| 200300C | 12309 | Thread Controller Roller Screw, for 205987 |
| 200309E | 12309 | Tension Release Lever Screw, for 207815 |
| 200328C | 10494 | Machine Stop Cam Position Screw, for 223002 |
| 200334C | 12784 | Hook Bracket Adjusting Screw (upper) |
| 200335C | 10494 | Hook Driving Shaft Crank Set Screw, for 204201 |
| 200335C | 10494 | Machine Starting Lever Hinge Screw Set Screw |
| 200335C | 10494 | Machine Stop Cam Set Screw, for 223002 |
| 200335C | 10494 | Take-up Cam Set Screw, for 204722 .. |
| 200338C | 12784 | Arm Shaft Bushing (front) Set Screw |
| 200346C | 12787 | Needle Bar Connecting Link Hinge Screw Stud Set Screw, for 204722 .. |
| 200348C | 10448 | Hook Driver Crank Set Screw (long), for 204240 |
| 200355H | 12319 | Bobbin Winder Spool Holder Tension Disc Screw Set Screw, for 202480 |
| 200362C | 12789 | Presser Bar Lifting Bracket Position Guide Set Screw, for Machine No. 12w209 |
| 200366H | 12309 | Thread Retainer Stud Set Screw, for 207814 |

| No. | Plate | Name |
|---------|-------|---|
| 200368D | 12309 | Thread Controller Thread Guard Set Screw |
| 200368H | 12309 | Thread Controller Spring Stud Set Screw, for 207814 |
| 200370C | 12787 | Machine Stop Cam Position Screw Check Screw, for 223002 |
| 200378C | 12784 | Hook Driver Crank Set Screw (short), for 204240 |
| 200379C | 10446 | Hook Bracket Adjusting Screw (lower), for 204218 |
| 200380C | 12319 | Bobbin Winder Pulley Set Screw, for 202473 |
| 200380C | 12319 | Presser Bar Collar Set Screw, for 213639 |
| 200383C | 12784 | Arm Shaft Bushing (back) Set Screw, for 207890 |
| 200383C | 12784 | Hook Driving Shaft Collar Set Screw, for 204246 |
| 200383C | 12784 | Take-up Cam Position Screw Check Screw, for 204722 |
| 200397H | 12309 | Tension Stud Set Screw |
| 200397H | 12309 | Face Plate Thread Guide Set Screw, for 207814 |
| 200420F | 10494 | Needle Clamp Set Screw, for 207840 .. |
| 200430C | 12787 | Take-up Cam Position Screw, for 204722 |
| 200431C | 12784 | Hook Driving Shaft Crank Position Screw, for 204201 |
| 200499B | 12789 | Presser Bar Thumb Screw (pressure regulating), for Machine No. 12w209 |
| 200502B | 12784 | Arm Shaft Bushing (front) Oil Packing Thumb Screw |
| 200504E | 12787 | Needle Bar Screw Bushing (lower) .. |
| 200504E | 12787 | Presser Bar Screw Bushing (lower), for Machine No. 12w209 |
| 200516E | 12784 | Hook Driving Shaft Bearing Screw, for 207888 |
| 200530C | 12789 | Starting Treadle Pitman Rod Clamp Set Screw, for 204126 |
| 200562C | 10446 | Hook Bracket Screw (lower) |
| 200564C | 10446 | " " " (upper) |
| 200565E | 12784 | Machine Incline Lever Bearing Screw |
| 200567H | 12784 | Machine Driving Friction Position Plate Screw, for 207834 |
| 200570E | 12784 | Bed Hinge Connection Screw |
| 200575H | 12787 | Spool Holder Base Screw |
| 200577H | 12788 | Thread Controller Plate Screw, for 207815 |

| No. | Plate | Name |
|---------|-------|---|
| 200577H | 12788 | Throat Plate Screw |
| 200581H | 12309 | Thread Controller Spring Guard Screw, for 205987 |
| 200592C | 12784 | Bobbin Case Tension Spring Screw, for 208383 |
| 200598C | 12784 | Bobbin Case Tension Spring Ad- justing Screw, for 208383 |
| 200610F | 10494 | Needle Stripper Bar Position Guide Screw, for 204757 |
| 200632B | 12309 | Tension Stud, for 204272 |
| 200658C | 12787 | Needle Bar Connecting Link Hinge Screw Stud, for 204722 |
| 200662C | 10448 | Hook Driver Crank Stud, for 204240 |
| 200669C | 10448 | " " " Link Stud, for 204201 |
| 200776D | 10494 | Balance Wheel Adjusting Screw, for 223017 |
| 200792E | 10446 | Hook Race Cap Spring Screw, for 204231 |
| 200846E | 10494 | Needle Stripper Bar Screw Bushing, for 207839 |
| 200991F | 12787 | Machine Stop Cam Slide Lever Roller Screw Stud, for 223016 .. |
| 201072D | 12787 | Machine Incline Lever Screw, for 223017 |
| 201230E | 12787 | Machine Incline Lever Position Screw, for 204745 |
| 201522E | 12787 | Machine Stop Cam Slide Lever Hinge Screw Nut, for 223017 |
| 201525E | 10494 | Machine Stop Cam Slide Lever Roller Screw Stud Nut |
| 201525E | 10494 | Machine Stop Cam Slide Hinge Screw Nut, for 223016 |
| 201530E | 10448 | Hook Driver Crank Stud Nut, for 204240 |
| 201530E | 10448 | Hook Driver Crank Link Stud Nut, for 204201 |
| 201537H | 12319 | Bobbin Winder Stop Latch Thumb Lever Joint Screw Nut, for 227523 |
| 201537E | 12319 | Machine Incline Lever Position Screw Check Nut, for 204745 ... |
| 201540E | 10494 | Needle Stripper Bar Thumb Nut Check Nut, for 207839 |
| 201572B | 12309 | Tension Thumb Nut, for 204272 .. |
| 201608B | 12787 | Needle Stripper Bar Thumb Nut, for 207839 |
| 201816 | 12788 | Take-up Lever Roller, for 213816 .. |
| 201822 | 10494 | Machine Stop Cam Slide Lever Rol- ler, for 223016 |

| No. | Plate | Name |
|-----------------------------------|-------|--|
| 202005 | 12784 | Arm Screw Washer |
| 202068 | 12153 | Spool Holder Base, for 204297 |
| 202075 | 12309 | Tension Release Plunger, for 204272 |
| 202084 | 12309 | Thread Controller Roller Guard Washer, for 205987 |
| 202087 | 12788 | Thread Controller Spring Stop, for 207814 |
| 202090 | 12309 | Tension Disc Position Pin, for 207814 |
| 202091 | 12309 | Thread Retainer Sleeve, for 204059 |
| 202092 | 12309 | " " Spring, for 204059 .. |
| 202098 | 12309 | " Controller Roller, for 205987 |
| 202126 | 12784 | Hook Driving Shaft Bearing Posi- tion Pin |
| 202248 | 12784 | Arm Cap Screw Washer |
| 202258 | 12153 | Bed Hinge Connection |
| 202260 | ---- | Arm Shaft Bushing (front) Oil Packing (wick), for 207887 |
| 202277 | ---- | Needle Bar Connecting Stud Oil Packing (wick), for 204249 |
| 202302 | 12789 | Knee Presser Lever Rod Cotter Pin, for 227310 |
| 202302 | 12789 | Starting Treadle Pitman Rod Cotter Pin, for 204698 |
| 202407 | 12309 | Tension Spring, for 204272 |
| 202413 | 12788 | Thread Guide |
| 202452 | ---- | Knee Lifter Rock Shaft Hanger Hinge Pin, for 228279 and 228281 |
| 202455 | 13395 | Knee Lifter Rock Shaft Knee Arm, for 228285 |
| Nos. 202470 to 202474, for 227523 | | |
| 202470 | 12320 | Bobbin Winder Base |
| 202471 | 12320 | " " Frame |
| 202472 | 12319 | " " Spring |
| 202473 | 12320 | " " Pulley with 200380C |
| 202474 | 12320 | " " Spindle |
| 202477 | 12319 | " " Stop Latch Thumb Lever, for 227523 |
| 202478 | 12319 | Bobbin Winder Stop Latch Trip Lever, for 227523 |
| 202480 | 12320 | Bobbin Winder Spool Holder Base with 200355H and 202484, for 202485 |
| 202481 | 12320 | Bobbin Winder Spool Holder Base Spool Pin, for 202485 |
| 202482 | 12319 | Bobbin Winder Spool Holder Ten- sion Disc (lower or upper), for 202485 |

| No. | Plate | Name |
|--------|-------|---|
| 202483 | 12319 | Bobbin Winder Spool Holder Tension Disc Spring (brass), for 202485 |
| 202484 | 12319 | Bobbin Winder Spool Holder Tension Disc Thread Guide, for 202480 |
| 202485 | 12320 | Bobbin Winder Spool Holder complete, Nos. 200011b, 202480, 202481, 202483, two 202482 and one wood screw 1 in., No. 13, for 227524 .. |
| 202622 | 10494 | Machine Incline Lever Screw Washer, for 223017 |
| 203376 | 12788 | Throat Plate Position Pin, for 207888 |
| 204058 | 12309 | Thread Retainer Stud, for 204059.. |
| 204059 | 12309 | Thread Retainer complete, Nos. 202091, 202092 and 204058, for 207815 |
| 204126 | 12789 | Starting Treadle Pitman Rod Clamp with two 200530c, for 227957 |
| 204163 | 12785 | Arm Cap |
| 204177 | 12785 | Bed Slide (front) |
| 204181 | 12784 | Bobbin Case Position Finger, for 208382 |
| 204185 | 12784 | Face Plate Thread Guide, for 207814 |
| 204201 | 12785 | Hook Driving Shaft Crank with 200335c, 200431c, 200669c and 201530c |
| 204216 | 10449 | Hook (sewing) with 204217, for 207821 |
| 204217 | 10449 | Hook Bobbin Case Stud, for 204216 |
| 204218 | 10446 | " Bracket with 200379c and three 204234, for 204219 |
| 204219 | 10448 | Hook Bracket 204218 with 204226, for 207820 |
| | | Nos. 204223 to 204225, for 207820 |
| 204223 | 10448 | Hook Bracket Bobbin Case Stop Hinge Pin |
| 204223 | 10448 | Hook Bracket Bobbin Case Stop Latch Hinge Pin |
| 204224 | 10446 | Hook Bracket Bobbin Case Stop Latch |
| 204225 | 10446 | Hook Bracket Bobbin Case Stop Latch Spring |
| 204226 | 12785 | Hook Race, .156 in. thick, 1.906 in. diam., for 204219 |

| No. | Plate | Name |
|--------|-------|--|
| 204229 | 10446 | Hook Race Cap (iron), for 207820 |
| 204230 | 10446 | " " " Spring, for 204231 |
| 204231 | 10446 | " " " " 204230 with 200792e, for 207820 |
| 204234 | 10446 | Hook Race Position Pin, for 204218 |
| 204235 | 12784 | Arm Position Pin |
| 204239 | 10449 | Hook Driver with 204242 and 204243 |
| 204240 | 10449 | " " Crank 208246 with 200378c, 200662c, 201530c and two 200348c |
| 204241 | 12784 | Hook Driver Crank Link |
| 204242 | 10449 | " " Washer, for 204239 |
| 204243 | 10449 | " " Pin, for 204239 |
| 204245 | 12785 | " Driving Shaft Bearing, for 207888 |
| 204246 | 12784 | Hook Driving Shaft Collar with two 200383c |
| 204249 | 12787 | Needle Bar Connecting Stud with 200072c and 202277 |
| 204253 | 12789 | Presser Bar Lifting Bracket with 200086c, for Machine No. 12w209 |
| 204259 | 12789 | Presser Bar Spring, for Machine No. 12w209 |
| 204262 | 12788 | Take-up Lever, for 208372 |
| 204264 | 12788 | " " Bearing Position Pin, for 204723 |
| 204271 | 12309 | Tension Washer, for 204272 |
| 204272 | 12309 | Tension complete, Nos. 200632b, 201572a, 202075, 202407, 204271 and two 244007, for 207815 |
| 204274 | 12309 | Thread Controller Plate, for 205987 |
| 204275 | 12309 | " " Roller Guard, for 205987 |
| 204281 | 12309 | Thread Retainer Guide Wire, for 207814 |
| 204296 | 12153 | Spool Holder Wire, for 204297 |
| 204297 | 12153 | Spool Holder complete, Nos. 200079u, 202068 and 204296 |
| 204326 | --- | Needle Bar Packing Cord |
| 204327 | --- | Presser Bar Packing Washer (felt), for Machine No. 12w209 |
| 204333 | 12309 | Thread Controller Spring Guard, for 205987 |
| 204334 | 10494 | Needle Stripper Bar Spring Seat, for 207839 |
| 204393 | 12784 | Hook Driver Bushing, for 207888 .. |
| 204479 | 12787 | Needle Bar Connecting Link Hinge Screw Stud Set Screw Packing (brass), for 204722 |

| No. | Plate | Name |
|-----------------------------------|-------|---|
| 204531 | 12784 | Bobbin Case Tension Spring, for 208383 |
| 204539 | 12784 | Hook Bracket Bobbin Case Stop (hinged), for 207820 |
| Nos. 204696 to 204698, for 227957 | | |
| 204696 | 12789 | Starting Treadle Lifting Spring |
| 204697 | 12789 | " " " " |
| | | Hook (bench) |
| 204698 | 12790 | Starting Treadle Pitman Rod (upper) with 202302 |
| 204706 | 12786 | Arm Shaft Connection with four 200054E |
| 204717 | 12787 | Needle Bar Connecting Link |
| 204720 | 12789 | Presser Bar Lifting Bracket Position Guide, for Machine No. 12w209 |
| 204722 | 12786 | Take-up Cam with 200335c, 200346c, 200383c, 200430c, 200658c and 204479 |
| 204723 | 12788 | Take-up Lever Bearing with 204264, for 208372 |
| 204726 | 12788 | Thread Controller Spring, for 204731 |
| 204730 | 12788 | " " Thread Guard, for 207814 |
| 204731 | — | Thread Controller and Spring complete, Nos. 204726 and 205987, for 207815 |
| 204736 | 12785 | Arm Shaft Bushing (back), for 207890 |
| 204741 | 12786 | Machine Driving Friction Clamp, for 207834 |
| 204742 | 12785 | Machine Driving Friction Clamp Operating Washer, for 223017 .. |
| 204743 | 12786 | Machine Driving Friction Clamp Operating Washer Incline Lever, for 223017 |
| 204744 | 10494 | Machine Driving Friction Clamp Spring, for 207834 |
| 204745 | 12786 | Machine Incline Lever with 201230E and 201537E, for 223017 |
| 204747 | — | Machine Stop Cam Friction Ring (leather), for 223002 |
| 204757 | 12786 | Needle Stripper Bar with 204758 and two 200610E, for 207839 |
| 204758 | 12787 | Needle Stripper Bar Position Guide, for 204757 |
| 204759 | 12785 | Needle Stripper Bar Spring, for 207839 |

| No. | Plate | Name |
|-----------------------------------|-------|--|
| 204795 | 12788 | Thread Controller Spring Stud with 204925, for 207815 |
| 204925 | 12788 | Thread Controller Spring Stud Washer, for 204795 |
| 205987 | 12309 | Thread Controller complete, Nos. 200300c, 200581H, 202084, 202098, 204274, 204275 and 204333, for 204731 |
| 206076 | 12784 | Bobbin |
| 206105 | 12785 | Bed Slide (back) |
| 206386 | 11951 | Starting Treadle Stand (left or right) with two wood screws 1 in., No. 12, for 228189 |
| 206427 | 12787 | Machine Stop Cam Friction Ring Position Pin, for 223002 |
| 206482 | 12787 | Needle Stripper Bar Thumb Nut Washer, for 207839 |
| 207418 | 12788 | Throat Plate, 46 needle hole, for needle sizes 16 and 18 |
| 207424 | 12788 | Throat Plate, 50 needle hole, for needle sizes 14 and 15 |
| Nos. 207812 to 207814, for 207815 | | |
| 207812 | 12702 | Tension Release Lever |
| 207813 | 12702 | " " " Operating Lever (adjustable) |
| 207814 | — | Face Plate with 200366H, 202087, 202090, 204185, 204281, 204730, two each 200368H and 200397H .. |
| 207815 | 12701 | Face Plate complete, Nos. 200577H, 204059, 204272, 204731, 204795, 207812 to 207814, two each 200118E and 200309E |
| 207820 | — | Hook Bracket 204219 with 204224, 204225, 204229, 204539, two each 204223 and 204231, for 207821 |
| 207821 | — | Hook Bracket complete, Nos. 204216 and 207820 |
| 207833 | 12786 | Balance Wheel (belt groove 2 3/4 in. diam.), for 207834 |
| 207834 | — | Balance Wheel complete, Nos. 204741, 207833, 223002, 235328, 235396, three each 200233c, 204744 and four 200567H, for 223017 |
| 207835 | 12787 | Needle Bar Guard |
| 207837 | 12785 | " " (hollow) with 207840, for 207839 |

| No. | Plate | Name |
|---------|-------|---|
| 207839 | — | Needle Bar and Stripper complete, Nos. 200846e, 201540e, 201608u, 204334, 204757, 204759, 206482 and 207837, for Machine No. 12w208.. |
| *207840 | — | Needle Clamp with 200420e, for 207837 |
| *207885 | — | Arm |
| 207886 | 12786 | " Shaft |
| 207887 | 12785 | " " Bushing (front) with 202260 |
| *207888 | — | Bed with 203376, 204245, 204393 and two 200516e |
| 207889 | 12786 | Hook Driving Shaft |
| 207890 | 12786 | Machine Incline Lever Bearing with 200383c and 204736 |
| 208246 | — | Hook Driver Crank, for 204240 ... |
| 208372 | — | Take-up Lever 204262 with 204723, for 213816 |
| 208380 | 12790 | Presser Bar, for Machine No. 12w209 |
| 208382 | 12784 | Bobbin Case (solid center bearing) with 204181, for 208383 |
| 208383 | — | Bobbin Case complete, Nos. 200592c, 200598c, 204531 and 208382 |
| 213639 | 12789 | Presser Bar Collar with 200380c, for Machine No. 12w209 |
| 213816 | — | Take-up Lever complete, Nos. 200042e, 201816 and 208372 |
| 223001 | 12785 | Machine Starting Lever, for 223017 |
| 223002 | 12786 | " Stop Cam with 200328c, 200335c, 200370c, 204747 and 206427, for 207834 |
| 223013 | 12787 | Machine Stop Cam Slide, for 223016 |
| 223014 | 12787 | " " " " Spring, for 223016 |
| 223015 | 12785 | Machine Stop Cam Slide Lever, for 223016 |
| 223016 | — | Machine Stop Cam Slide Lever 223015 with 200122u, 200249e, 200991e, 201822, 223013, 223014 and two 201525e, for 223017 |
| 223017 | — | Machine Stop Motion complete, Nos. 200219u, 200258u, 200776u, 201072u, 201522e, 202622, 204742, 204743, 204745, 207834, 223001 and 223016 |
| *225482 | — | Bobbin Case Screw Driver Blade, for 225497 |
| *225483 | — | Bobbin Case Screw Driver Handle, for 225497 |

| No. | Plate | Name |
|---------|-------|---|
| *225484 | — | Screw Driver Blade, for 225498 ... |
| *225485 | — | " " Handle, for 225498 ... |
| 225497 | 12153 | Bobbin Case Screw Driver complete, Nos. 225482 and 225483 ... |
| 225498 | 12153 | Screw Driver complete (7 $\frac{1}{4}$ in. long), Nos. 225484 and 225485 ... |
| 225554 | 12153 | Wrench |
| 227310 | 12790 | Knee Presser Lever Rod with 202302, for Machine No. 12w209.. |
| 227465 | 12790 | Knee Presser Lever, for 227470 ... |
| 227470 | — | " " " 227465 with 200262u, for Machine No. 12w209 |
| 227522 | 12319 | Bobbin Winder Stop Latch, for 227523 |
| 227523 | 12320 | Bobbin Winder complete, Nos. 200056e, 200161u, 200221u, 201537u, 202470 to 202474, 202477, 202478, 227522, three 200299u and two round head wood screws $\frac{3}{4}$ in., No. 12, for 227524 |
| 227524 | — | Bobbin Winder and Spool Holder complete, Nos. 202485 and 227523 |
| 227728 | 13395 | Knee Lifter Rock Shaft Lifting Lever Rod with 227729, for 228285 |
| 227729 | — | Knee Lifter Rock Shaft Lifting Lever Rod Cap, for 227728 |
| 227956 | 11951 | Starting Treadle Pitman Rod (lower), for 227957 |
| 227957 | 11951 | Starting Treadle Pitman complete, Nos. 204696 to 204698, 227956 and two 204126, for 228190 |
| 228189 | — | Starting Treadle complete, Nos. 126037 and two 206386, for 228190 |
| 228190 | — | Starting Treadle and Pitman complete, Nos. 227957 and 228189 .. |
| 228213 | — | Drip Pan with four 1 in. wire nails |
| 228278 | 13395 | Knee Lifter Rock Shaft Hanger (back) with 356c, for 228279 ... |
| 228279 | — | Knee Lifter Rock Shaft Hanger 228278 with 202452 and 228282, for 228285 |
| 228280 | 13395 | Knee Lifter Rock Shaft Hanger (front) with 356c, for 228281 |
| 228281 | — | Knee Lifter Rock Shaft Hanger 228280 with 202452 and 228282, for 228285 |
| 228282 | 13395 | Knee Lifter Rock Shaft Bracket with two wood screws $\frac{3}{4}$ in., No. 12, for 228279 and 228281 |

Numerical List of Parts

| No. | Plate | Name |
|--------|-------|---|
| 228283 | 13395 | Knee Lifter Rock Shaft Lifting Lever with two 356c, for 228285 |
| 228284 | 13395 | Knee Lifter Rock Shaft Knee Plate with 356c, for 228285 |
| 228285 | 13395 | Knee Lifter Rock Shaft complete, Nos. 2763, 202455, 227728, 228279, 228281, 228283 and 228284 |
| 235328 | 12786 | Machine Driving Friction (leather), for 207834 |
| 235396 | 12786 | Machine Driving Friction Position Plate, for 207834 |
| 244007 | 12309 | Tension Disc, for 204272 |

**ILLUSTRATIONS OF PARTS
FOR
MACHINES
Nos. 12w208 and 12w209**

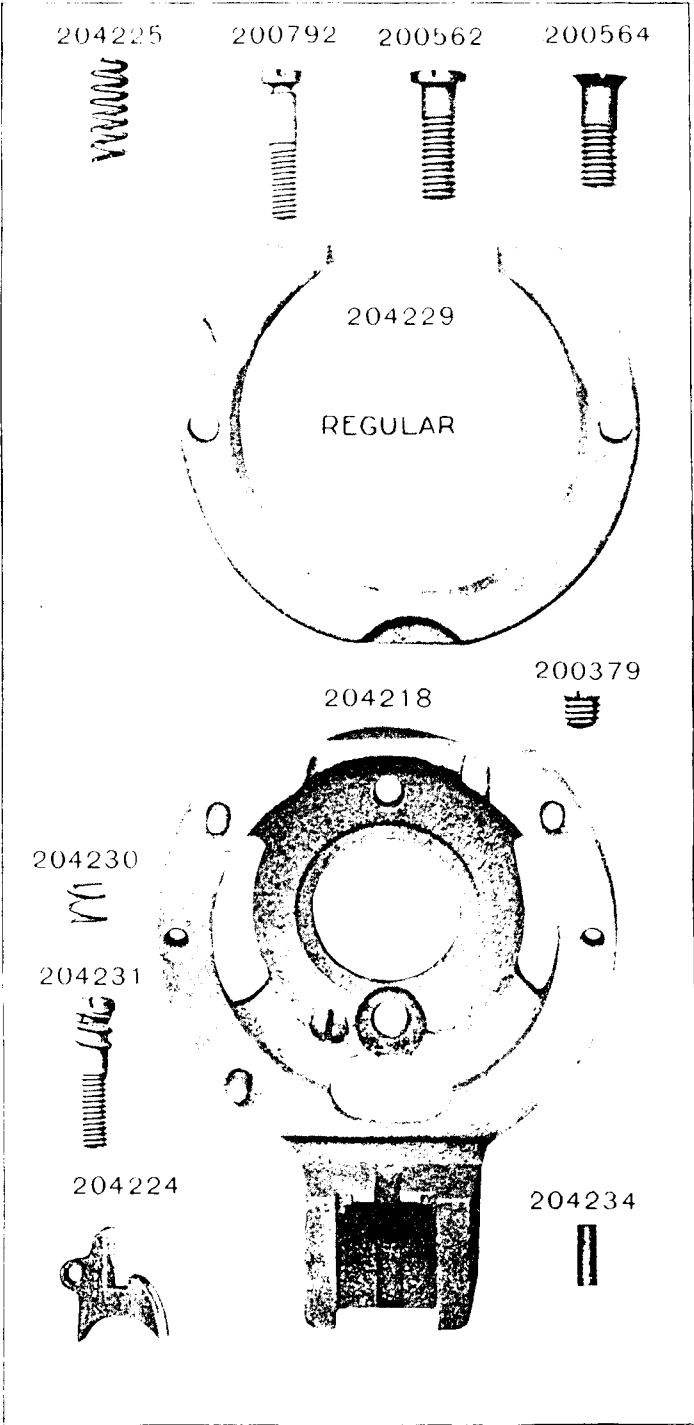


PLATE 10448—FULL SIZE

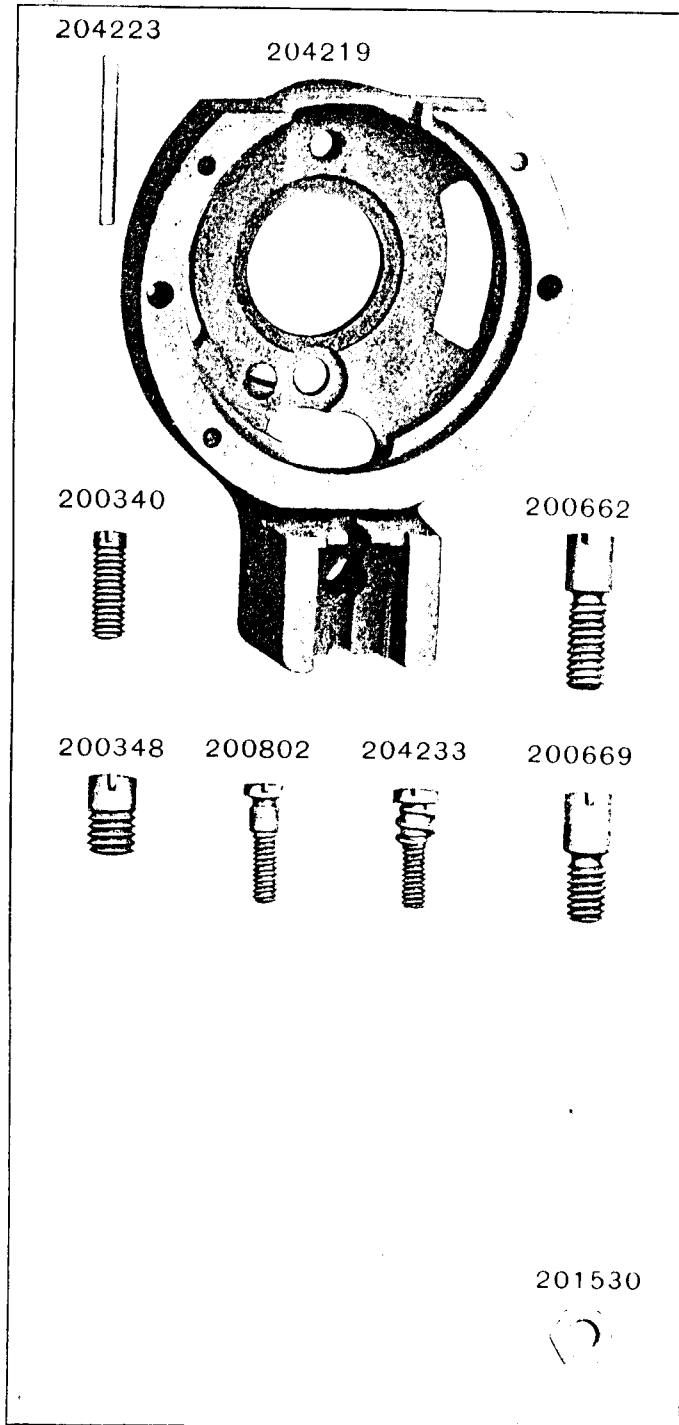


PLATE 10449—FULL SIZE

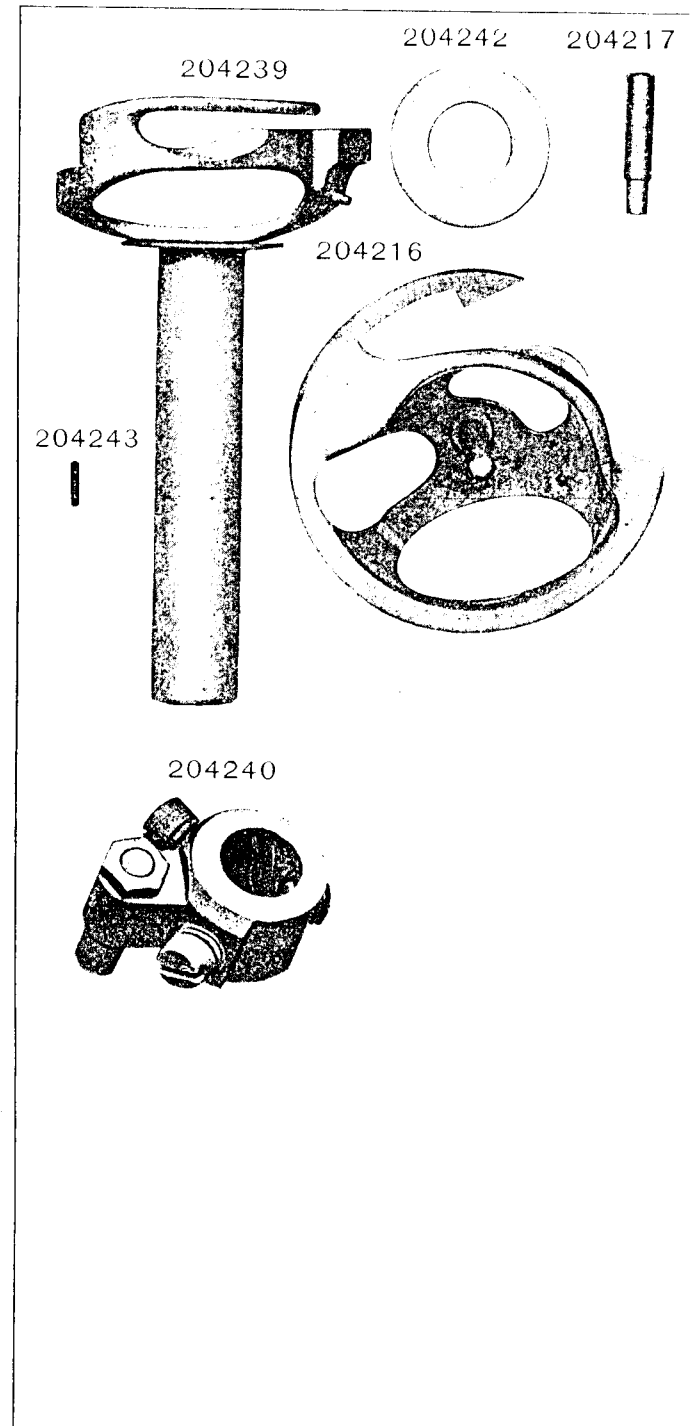


PLATE 10494—FULL SIZE

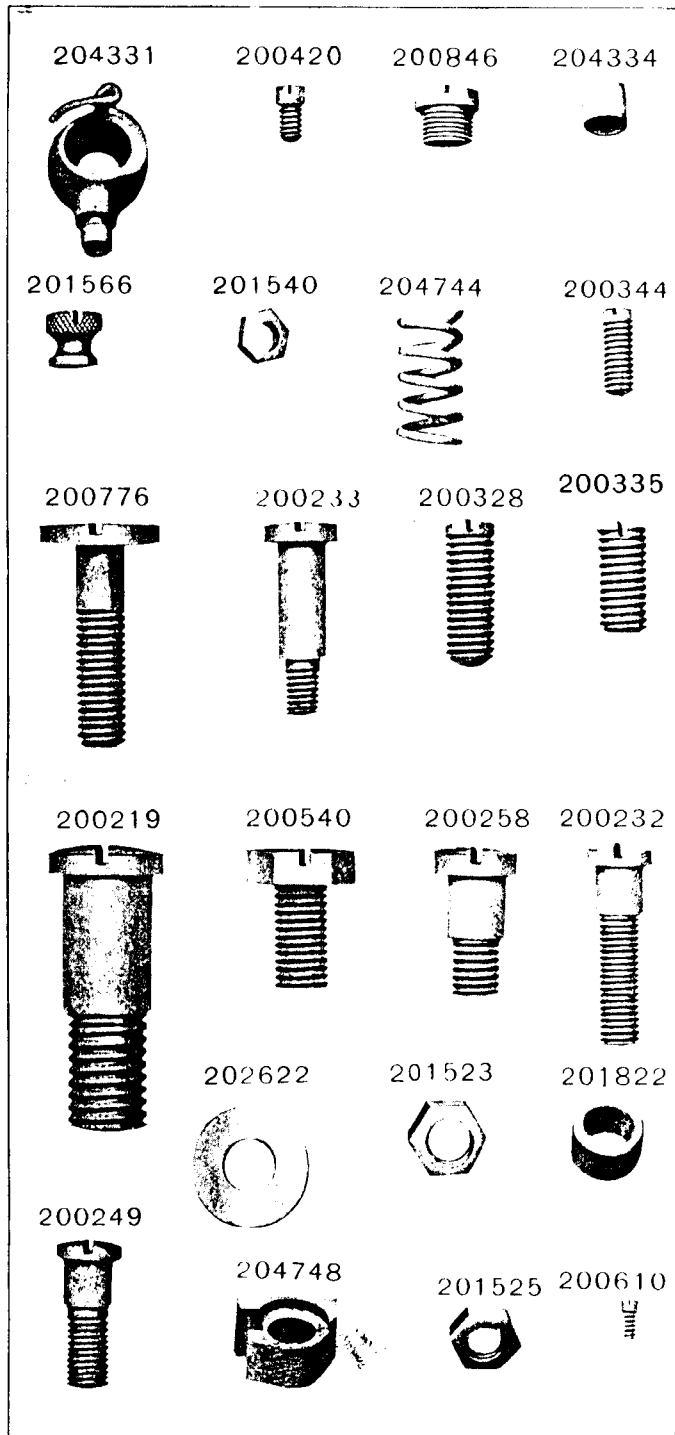


PLATE 11951—ONE-FOURTH SIZE

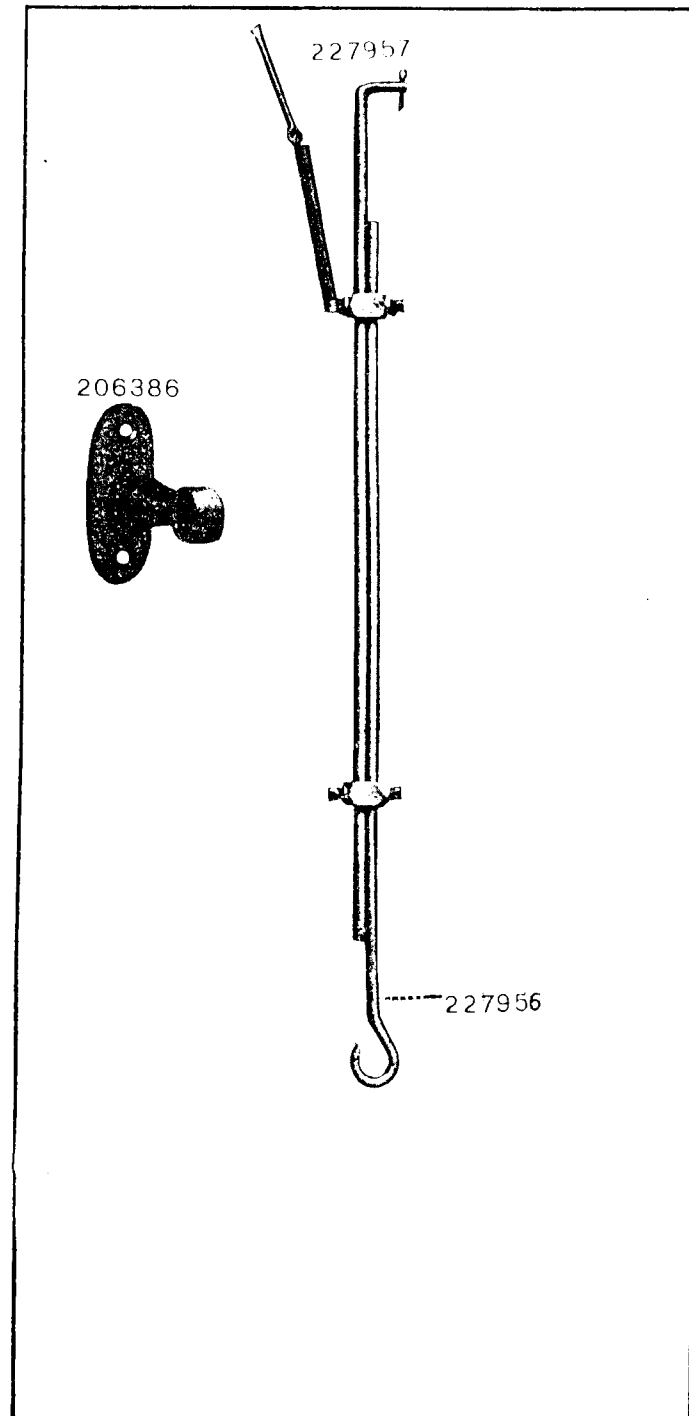


PLATE 12153—ONE-HALF SIZE

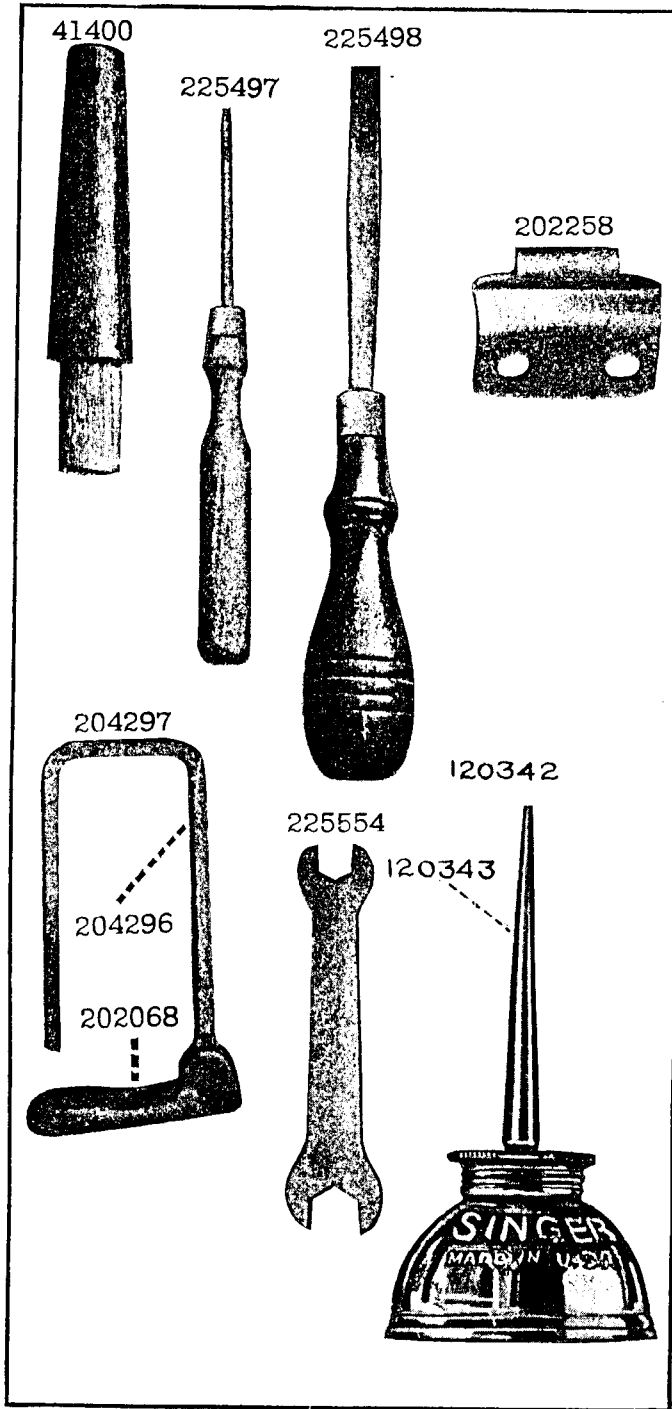


PLATE 12309—FULL SIZE

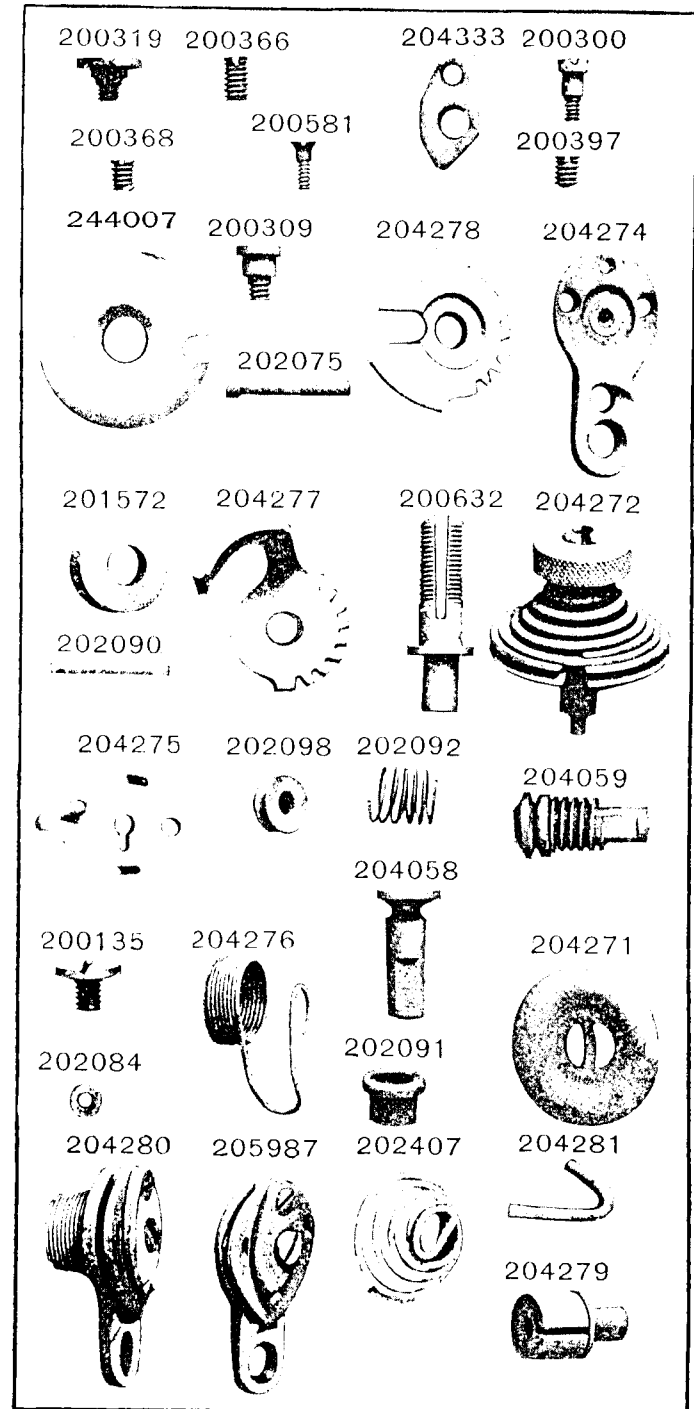


PLATE 12319 -FULL SIZE

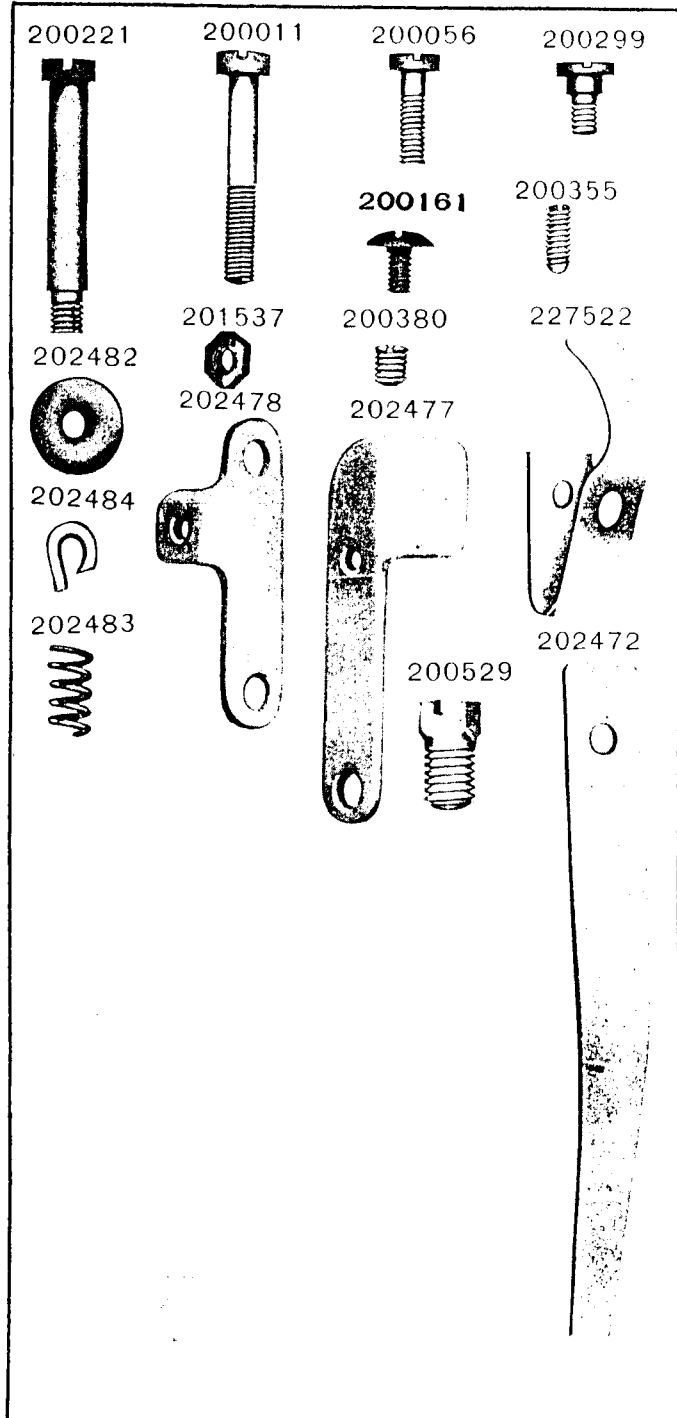


PLATE 12320 -ONE-HALF SIZE

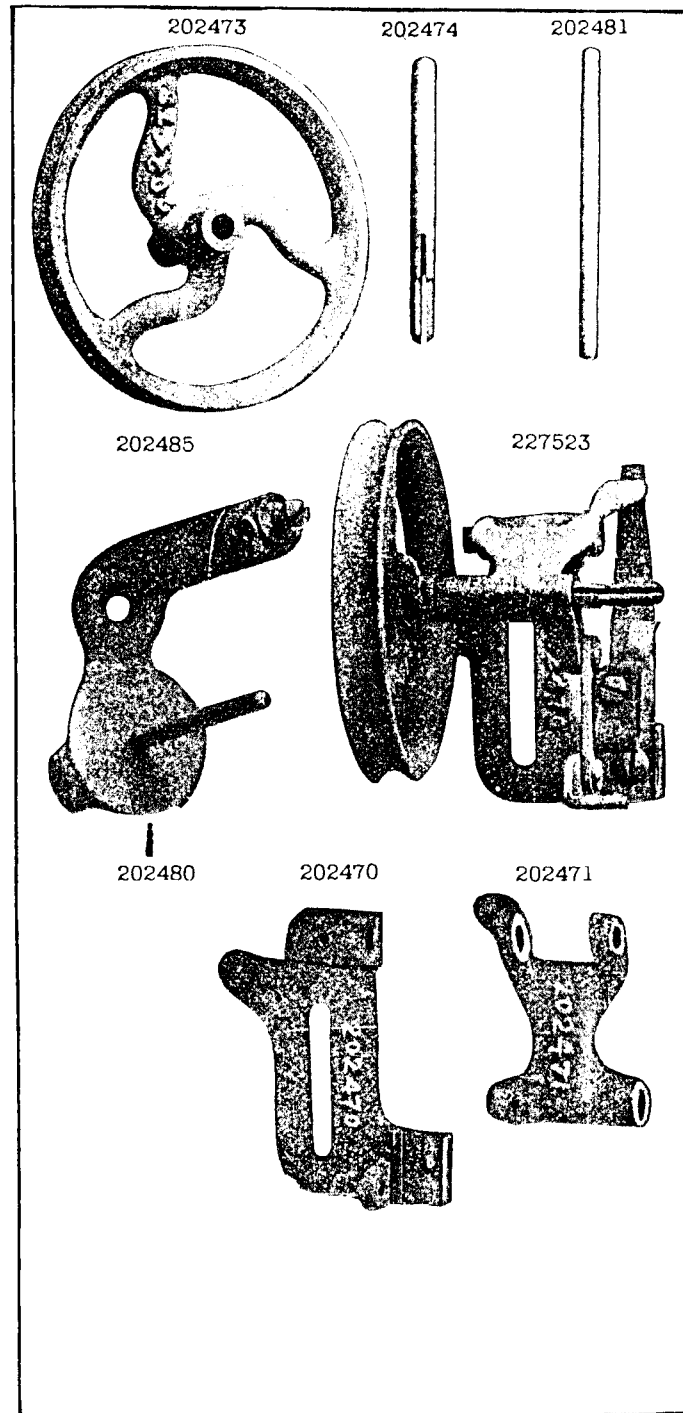


PLATE 12701—ONE-HALF SIZE

207815

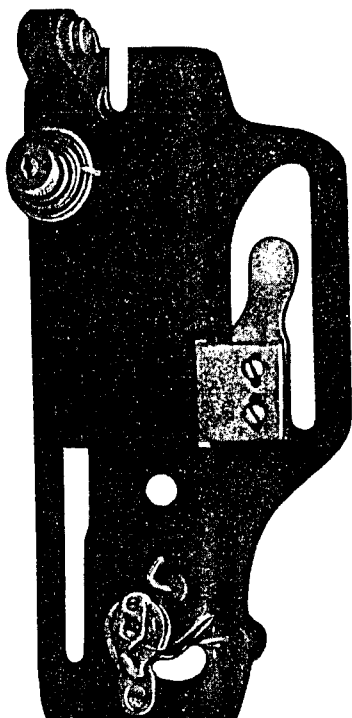


PLATE 12702—FULL SIZE

207812

207813

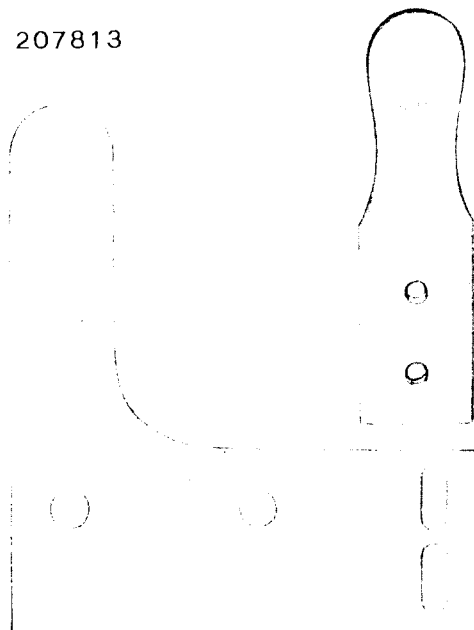


PLATE 12784—FULL SIZE

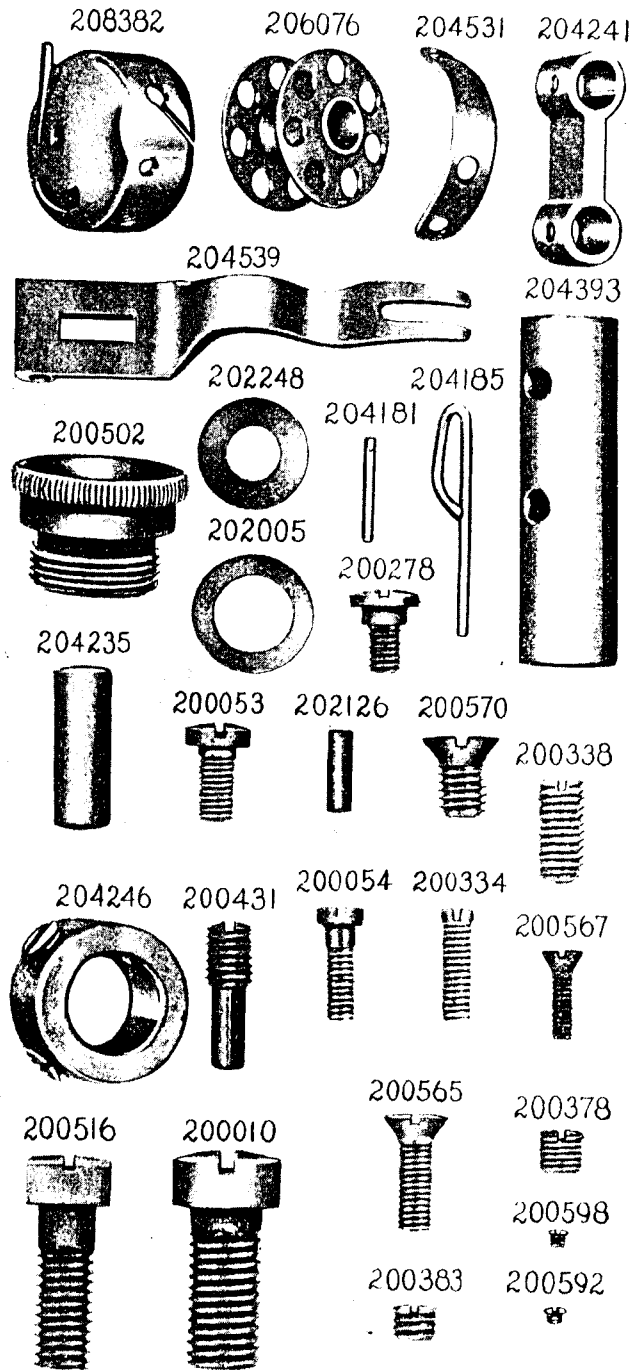


PLATE 12785—ONE-HALF SIZE

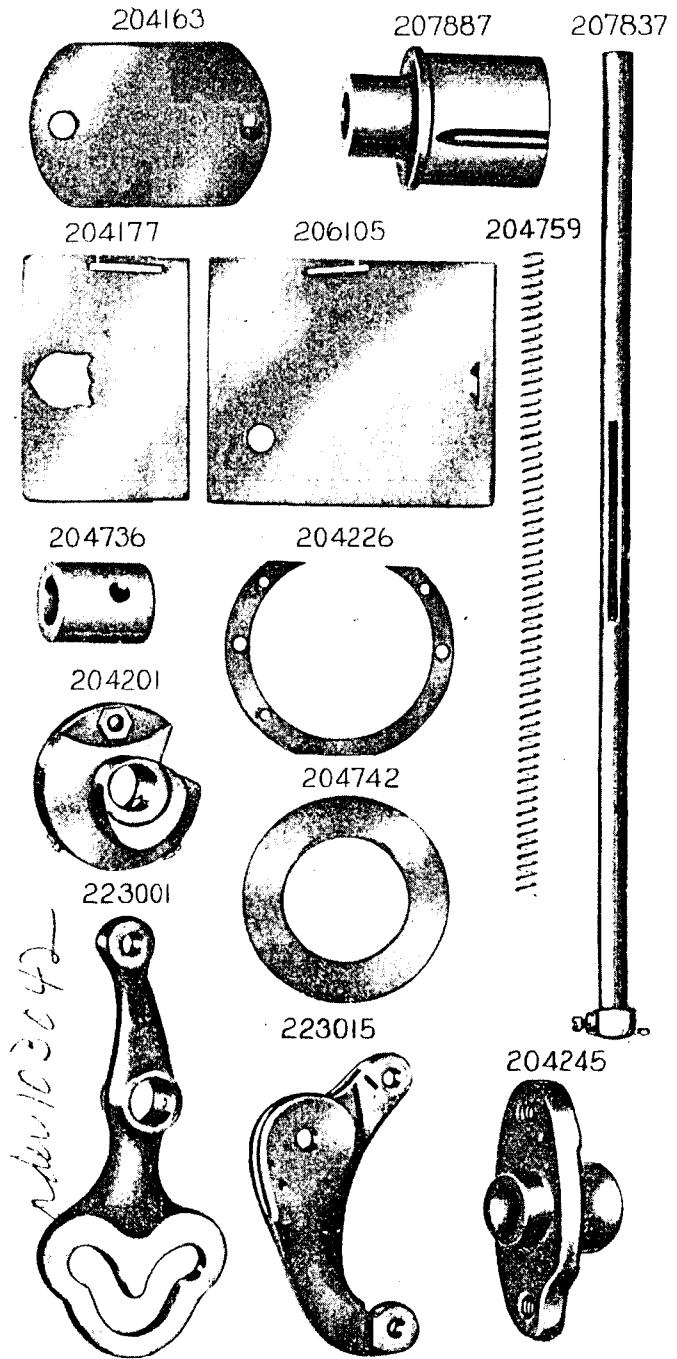


PLATE 12786—ONE-FOURTH SIZE

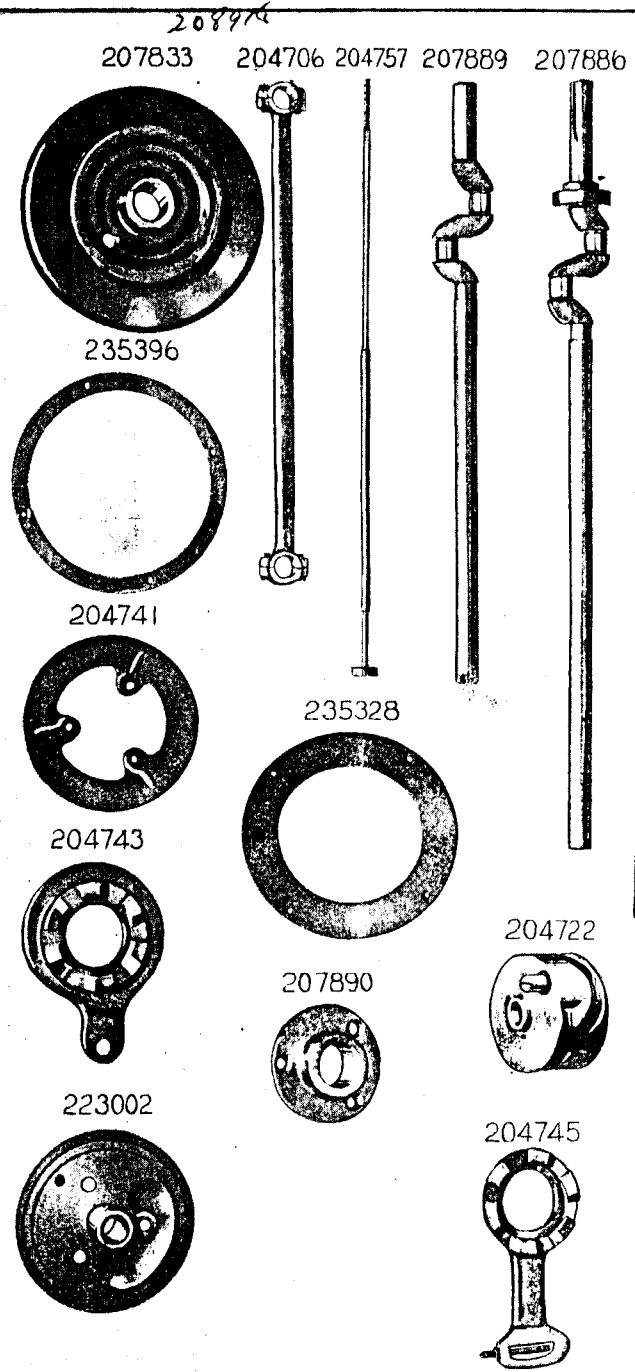


PLATE 12787—FULL SIZE

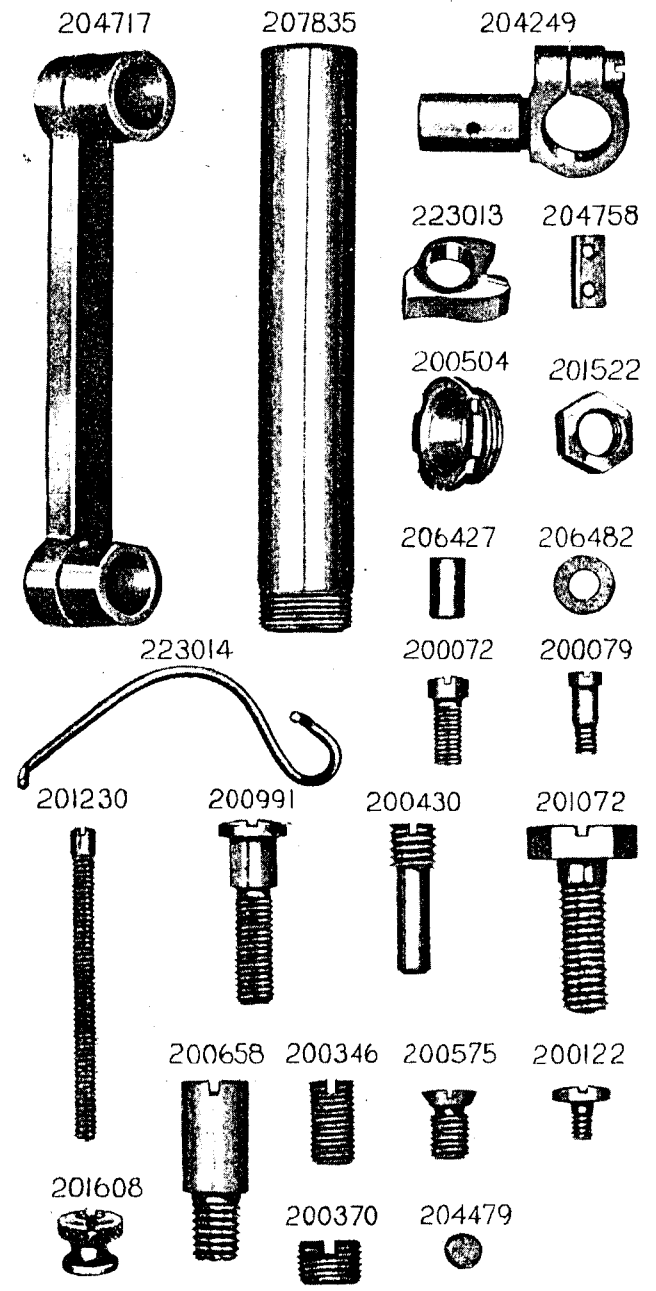


PLATE 12788—FULL SIZE

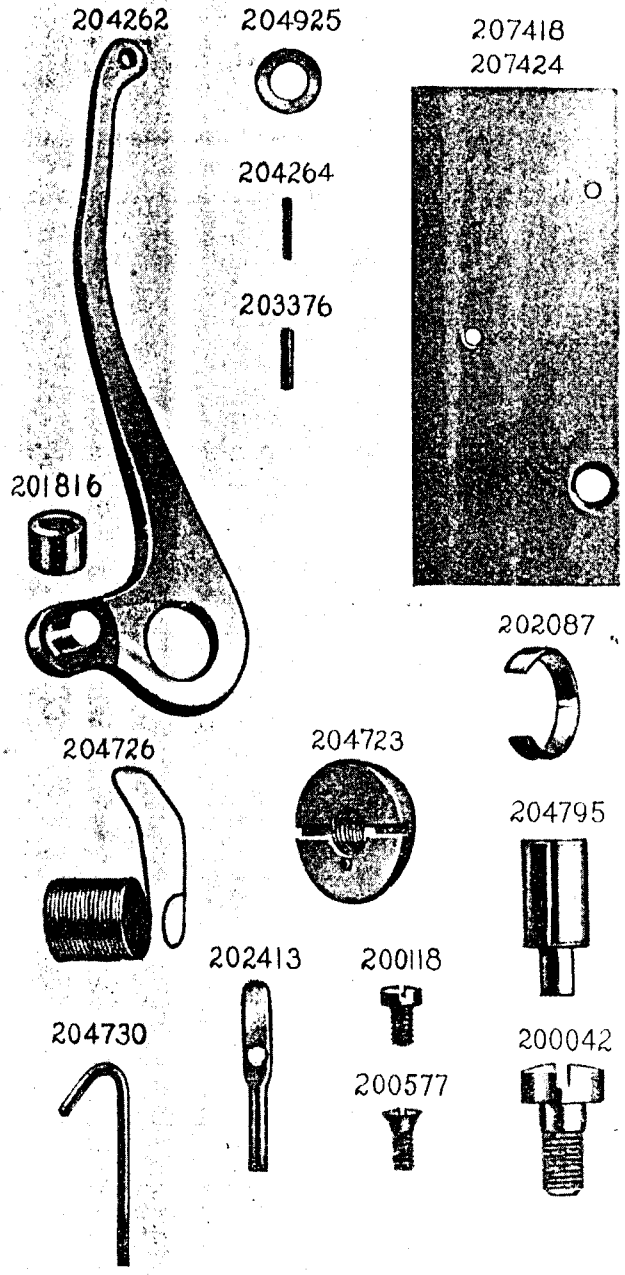


PLATE 12789—FULL SIZE

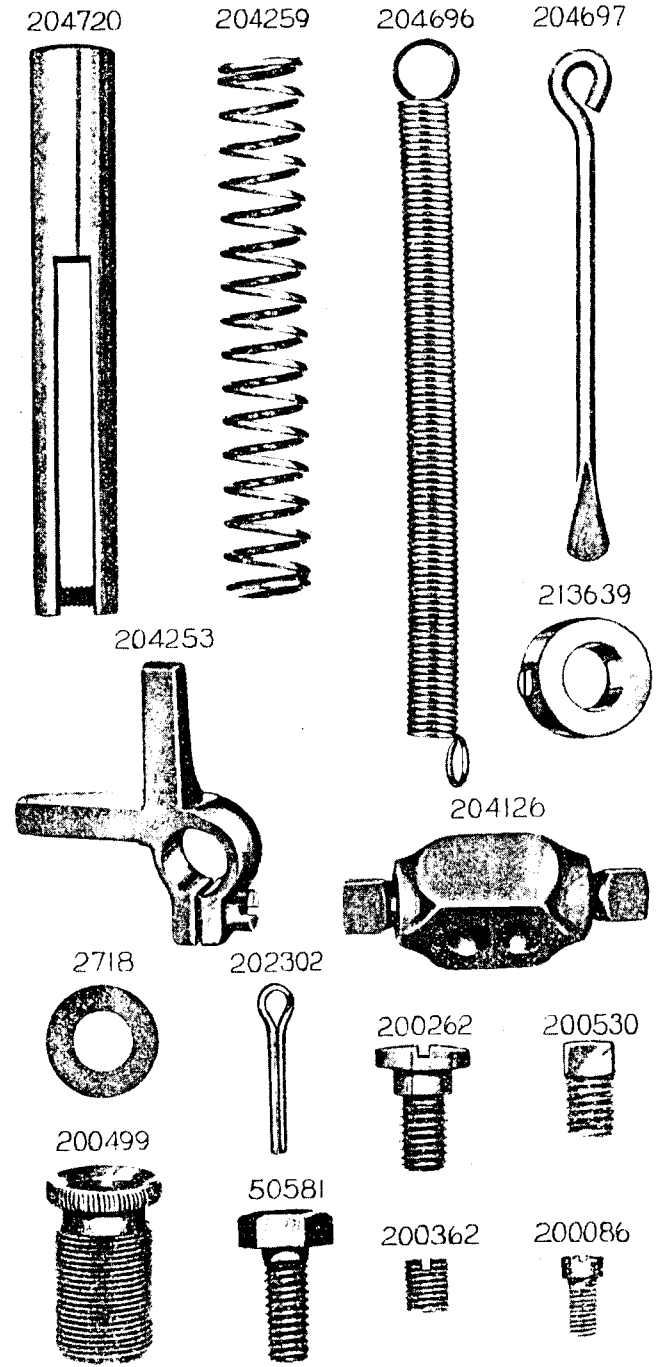


PLATE 12790—ONE-FOURTH SIZE

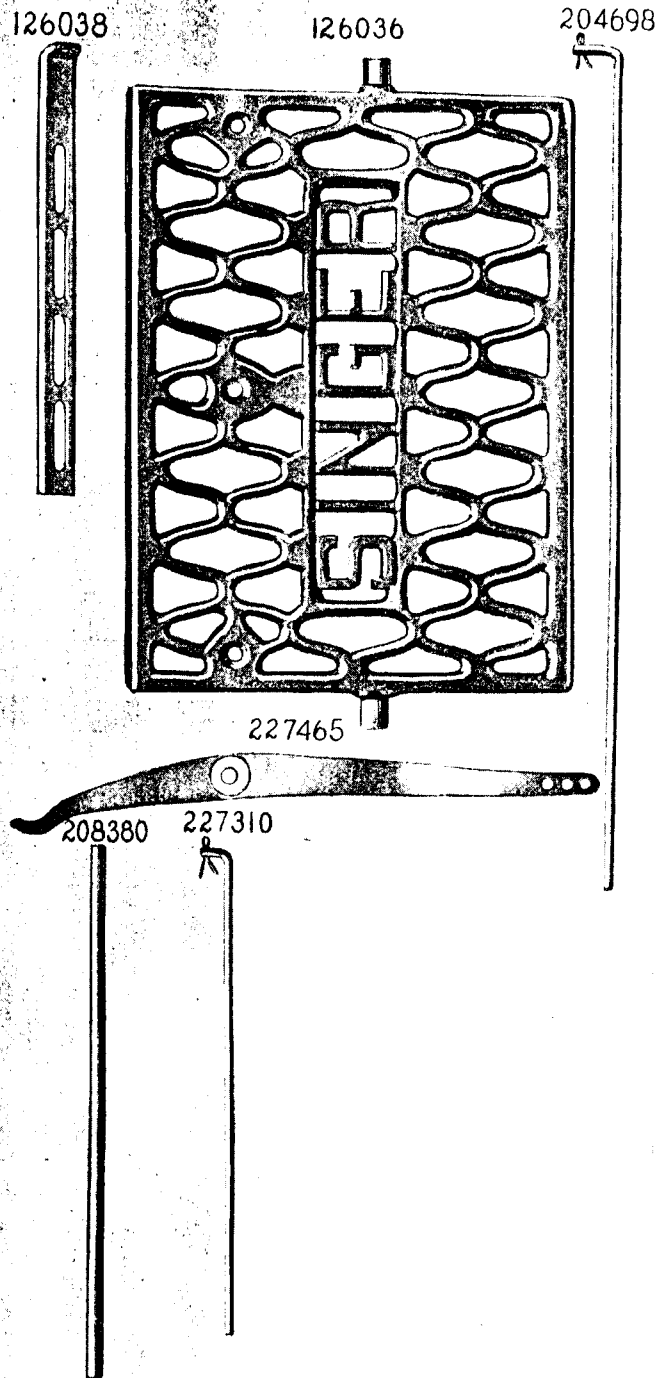
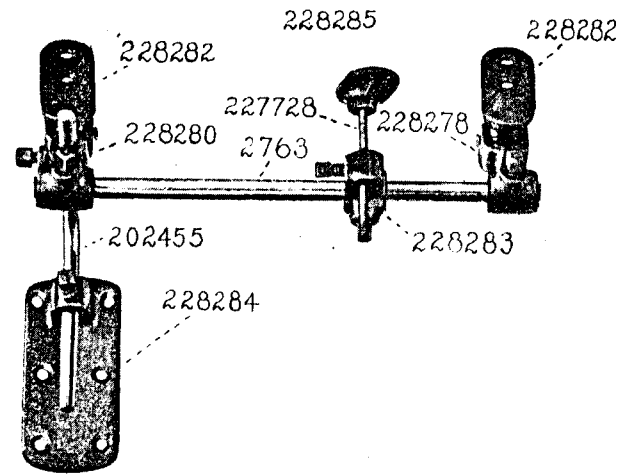


PLATE 13395—ONE-FOURTH SIZE



Free Manuals Download Website

<http://myh66.com>

<http://usermanuals.us>

<http://www.somanuals.com>

<http://www.4manuals.cc>

<http://www.manual-lib.com>

<http://www.404manual.com>

<http://www.luxmanual.com>

<http://aubethermostatmanual.com>

Golf course search by state

<http://golfingnear.com>

Email search by domain

<http://emailbydomain.com>

Auto manuals search

<http://auto.somanuals.com>

TV manuals search

<http://tv.somanuals.com>