

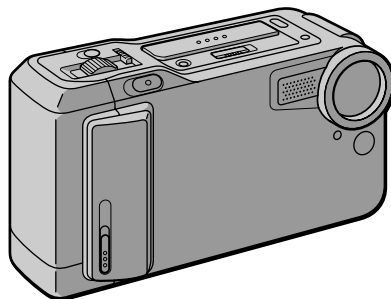
Video Camera Recorder

Operating Instructions _____ **EN**

Mode d'emploi _____ **F**

Bedienungsanleitung _____ **D**

àìòú ûí^ëfl ôó ëòôóî ,áó , †ìë. _____ **RF**



Ruvi

CCD-CR1E

Welcome!

Congratulations on your purchase of this Sony camcorder. With your camcorder you can capture life's precious moments with superior picture and sound quality.

WARNING

To prevent fire or shock hazard, do not expose the unit to rain or moisture.

To avoid electrical shock, do not open the cabinet.
Refer servicing to qualified personnel only.

Table of contents

Before you begin	3		
Identifying the parts	5		
<hr/>			
Getting started	8	Additional information	25
Installing the batteries	8	Resetting the date and time	25
Using house current	10	Tips for using batteries	27
Charging the battery pack	11	Precautions	30
<hr/>			
Shooting	12	Trouble check	32
Camera recording	12	Warning indicators	34
Photo recording	14	Self-diagnosis display	35
Advanced operations	15	Using your camcorder abroad	36
<hr/>			
Playing back	20	Specifications	37
Playing back	20	Index	38
Watching on a TV screen	23		
<hr/>			
Editing	24		
Editing onto another tape	24		

Before you begin

Before operating the unit, please read this manual thoroughly, and retain it for future reference.

About the recording system

- The picture and sound are recorded onto the video cartridge for this camcorder.
- The video cartridge for this camcorder is installed already. You can only use the VD-CR1 video cartridge.
- The video cartridge can be recorded for about 30 minutes camera recording and about 350 still pictures per about 5 seconds.
- It is recommended to edit the recorded pictures onto another tape for saving.

Using this manual

As you read through this manual, buttons and settings on the camcorder are shown in capital letters.

e.g., Press START/STOP.

You can hear the beep sound to confirm your operation.

Note on TV color systems

TV color systems differ from country to country. To view your recordings on a TV, you need a PAL system-based TV.

Precaution on copyright

Television programs, films, video tapes, and other materials may be copyrighted. Unauthorized recording of such materials may be contrary to the provision of the copyright laws.

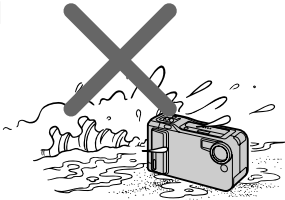
Contents of the recording cannot be compensated if recording or playback is not made due to a malfunction of the camcorder, video cartridge, etc.

EN

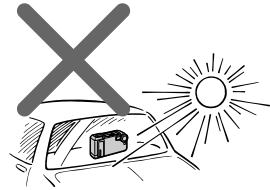
Precautions on camcorder care

- The LCD screen is manufactured using high-precision technology. However, there may be some tiny black points and/or bright points (red, blue or green in color) that constantly appear on the LCD screen. These points are normal in the manufacturing process and do not affect the recorded picture in any way. Over 99.99% are operational for effective use.
- Do not let the camcorder get wet. Keep the camcorder away from rain and sea water. Letting the camcorder get wet may cause the unit to malfunction, and sometimes this malfunction cannot be repaired [a].
- Never leave the camcorder exposed to temperatures above 60°C (140°F), such as in a car parked in the sun or under direct sunlight [b].
- Do not let sand get into the camcorder. When you use the camcorder on a sandy beach or in a dusty place, protect it from the sand or dust. Sand or dust may cause the unit to malfunction, and sometimes this malfunction cannot be repaired.

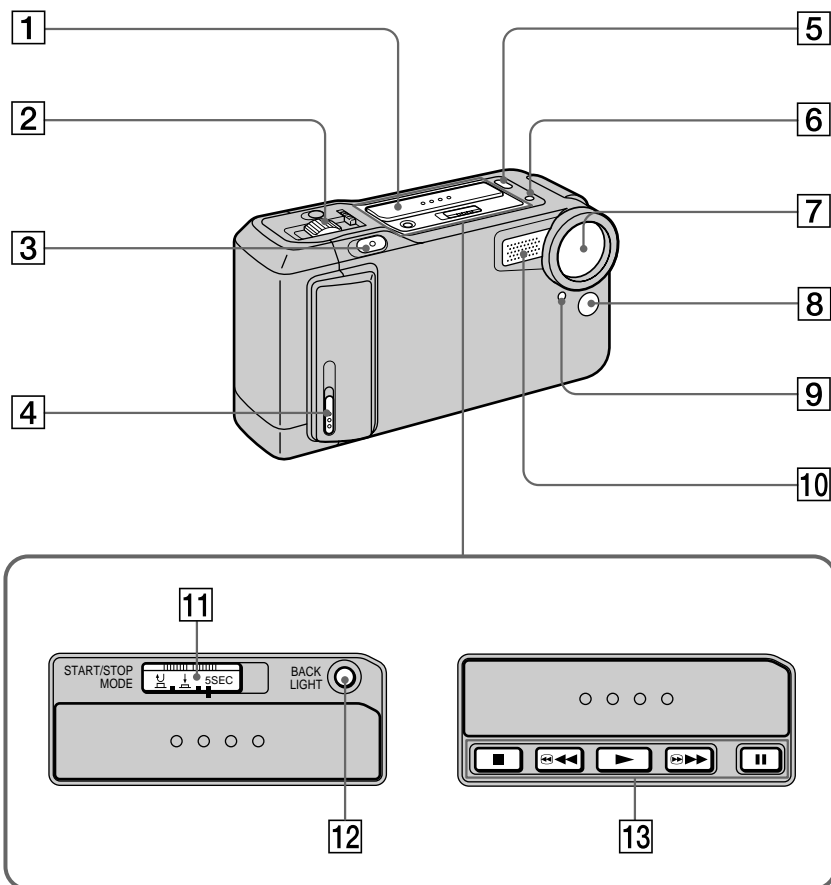
[a]



[b]

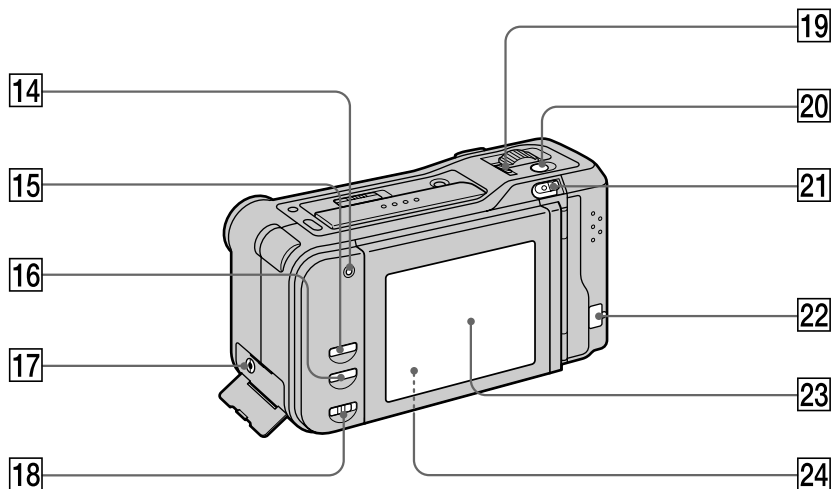


Identifying the parts

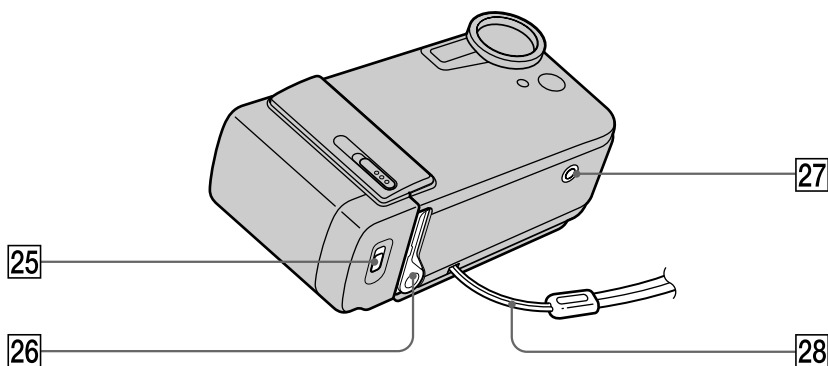


- 1** Slide cover (p. 20)
- 2** Zoom lever (p. 15)
- 3** START/STOP button (p. 12)
- 4** Open knob for video cartridge compartment (p. 31)
- 5** END SEARCH button (p. 18, 22)
- 6** PHOTO SCAN button (p. 21, 22)
- 7** Lens
- 8** Remote sensor
You can use the remote commander supplied with other Sony camcorders or VCRs. Set the command mode to VTR 2. See the instruction manual
- 9** Recording lamp (p. 12, 14)
- 10** Microphone
- 11** START/STOP MODE switch (p. 13)
- 12** BACK LIGHT button (p. 17)
- 13** Video control buttons (p. 22)
 - STOP (stop)
 - ◀◀ REW (rewind)
 - ▶▶ PLAY (playback)
 - ▶▶ FF (fast-forward)
 - || PAUSE (pause)

Identifying the parts



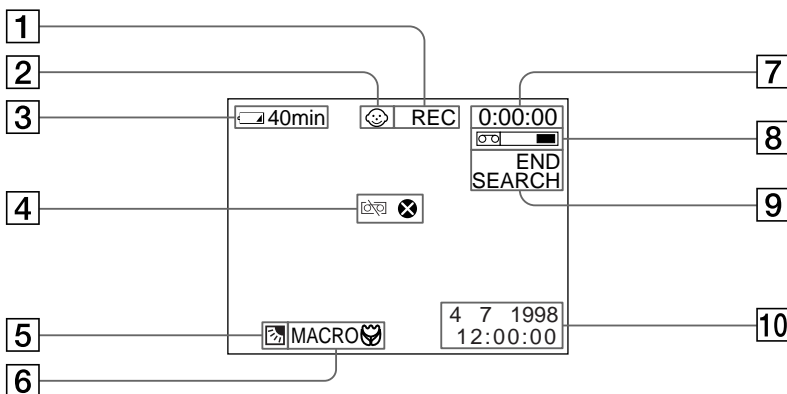
- | | |
|---|---------------------------------------|
| 14 Recording lamp (p. 12, 14) | 20 PHOTO button (p. 14) |
| 15 DATE button (p. 19, 25) | 21 POWER ON/OFF switch (p. 12) |
| 16 TIME button (p. 19, 25) | 22 Cord cover (p. 10) |
| 17 A/V OUT jack (p. 23) | 23 LCD screen (p. 12, 14, 20) |
| 18 SPEAKER ON/OFF switch (p. 20) | 24 Speaker (p. 20) |
| 19 MACRO lock switch (p. 15) | |



- | | |
|--|---|
| 25 OPEN (BATT) release lever (p. 8) | otherwise you cannot attach the tripod securely and the screw may damage the camcorder. |
| 26 Cartridge eject lever (p. 31) | |
| 27 Tripod receptacle (p. 15)
Make sure that the length of the tripod screw is less than 6.5 mm (9/32 in.), | 28 Hand strap
The hand strap is already attached. |

Identifying the parts

Operation indicators



1 Video control mode (p. 22)

2 Mirror mode indicator (p. 16)

3 Remaining battery time indicator



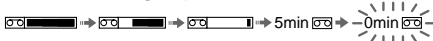
4 Warning indicators (p. 34)

5 Backlight indicator (p. 17)

6 MACRO indicator (p. 15)

7 Tape counter (p. 12)/Self-diagnosis functions indicator (p. 35)/5SEC mode indicator (p. 13)/Photo recording indicator (p. 14)

8 Remaining tape indicator



9 END SEARCH indicator (p. 18, 22)/PHOTO SCAN indicator (p. 21, 22)

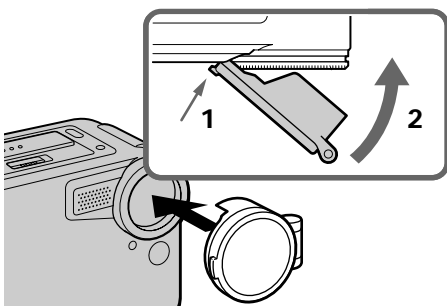
10 Date and time indicator (p. 19, 25)

Attaching the lens cap

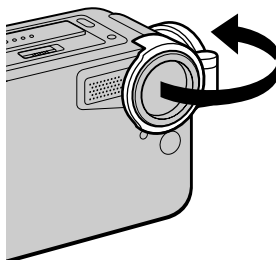
Attach the supplied lens cap to the lens.

(1) Fit the edge of the lens cap to the hollow.

(2) Push the lens cap until it clicks.



When you shoot, open the lens cap.



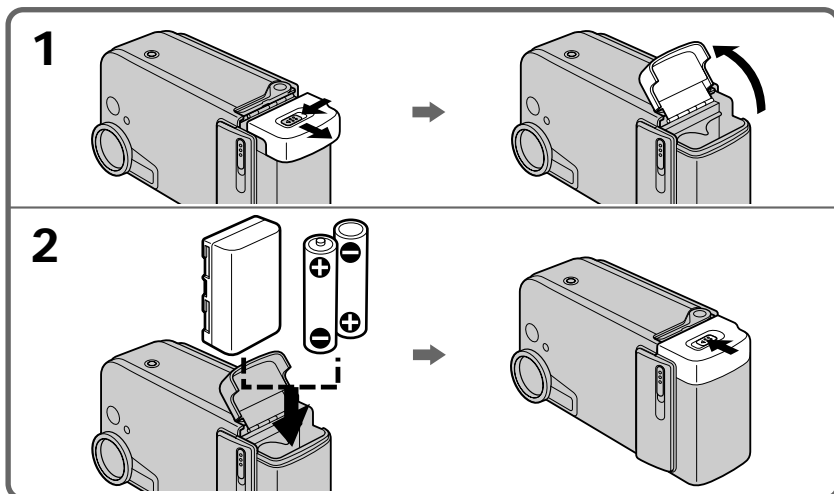
Installing the batteries

Before using your camcorder, you first need to install two LR6 (size AA) Sony batteries or the charged battery pack. Use the supplied LR6 (size AA) Sony batteries or the NP-F10 "InfoLITHIUM" battery pack.

When you install or remove the batteries, be sure to turn off the camcorder to prevent misoperation of the camcorder.

You can also use house current as a power source. (P. 10)

- (1) To open the lid of the battery compartment, slide the OPEN (BATT) release lever at the bottom of the camcorder to the left, then slide it toward you and release.
- (2) Install two LR6 (size AA) batteries or the battery pack in the direction of the arrow. Then close the lid and slide it until it clicks.



Note on LR6 (size AA) batteries

- Be sure to install two LR6 (size AA) batteries with correct polarity.
- You can not use LR6 (size AA) batteries in a cold environment. Use the NP-F10 battery pack .

Battery life

When using two LR6 (size AA) Sony batteries or the NP-F10 rechargeable battery pack:

Battery	LR6 (size AA) batteries	NP-F10
Continuous recording time*	60 minutes	90 (80) minutes
Typical recording time**	30 minutes	50 (45) minutes
Playing time on LCD	60 minutes	90 (80) minutes

Numbers in parentheses of NP-F10 indicate the time when you use a normally charged battery.

* Approximate continuous recording time at 25°C (77°F). Battery life will be shorter if you use the camcorder in a cold environment.

** Approximate minutes when recording while you repeat recording start/stop and turning the power on/off. The actual battery life may be shorter.

Installing the batteries

Note on remaining battery time indication during recording

When using the "InfoLITHIUM" battery, remaining battery time is displayed on the LCD screen. However, the indication may not be displayed properly, depending on the conditions and circumstances of use.

To remove batteries

Open the lid of the battery compartment and remove the batteries.

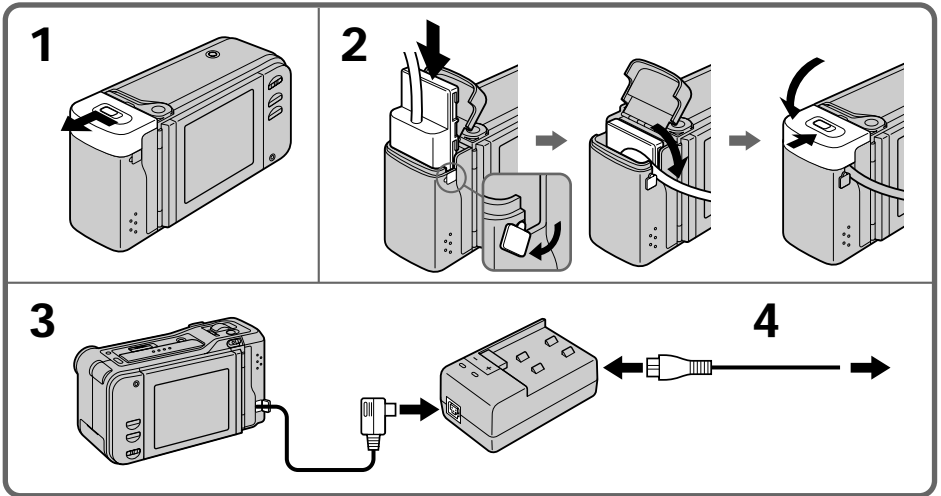
When removing batteries

Always turn the camcorder upside down so that batteries do not fall out when you open the lid.

Using house current

When you install or remove the battery shaped block of the connecting cord, turn off the camcorder to prevent misoperation of the camcorder.

- (1) To open the lid of the battery compartment, slide the OPEN (BATT) release lever at the bottom of the camcorder to the left, then slide it toward you and release.
- (2) Install the battery shaped block of the DC connecting cord in the direction of the arrow. Open the cord cover and pass the cord through. Then close the lid and slide it until it clicks.
- (3) Connect the DC connecting cord to the AC adaptor/charger.
- (4) Connect the power cord to the AC adaptor/charger and a wall outlet.



WARNING

The power cord must be changed only at a qualified service shop.

Note

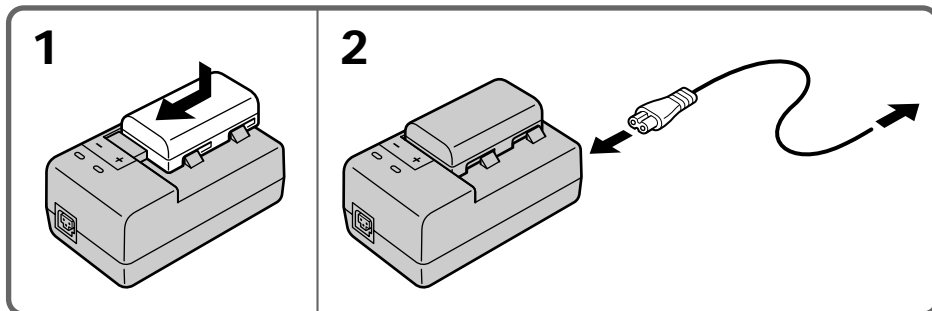
Keep the AC adaptor/charger away from the camcorder if the picture is affected.

Charging the battery pack

Charge the battery pack on a flat surface without vibration. The supplied battery pack NP-F10 is charged a little at the factory. To charge the battery pack, use the supplied AC-VF10 AC adaptor/charger.

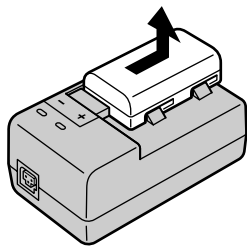
- (1) Fit and slide the battery pack in the direction of the arrow.
- (2) Connect the power cord to the AC adaptor/charger and a wall outlet. The CHARGE lamp (orange) lights up. Charging begins.

When the CHARGE lamp goes out, normal charge is completed. For full charge, which allows you to use the battery longer than usual, leave the battery pack attached for about 1 hour after normal charge is completed.



To remove the battery pack

Slide the battery pack in the direction of the arrow.



Charging time

When using the NP-F10 rechargeable battery pack:

Charging time*	145 (85) minutes
----------------	------------------

The number in parentheses indicates the time when you use a normally charged battery.

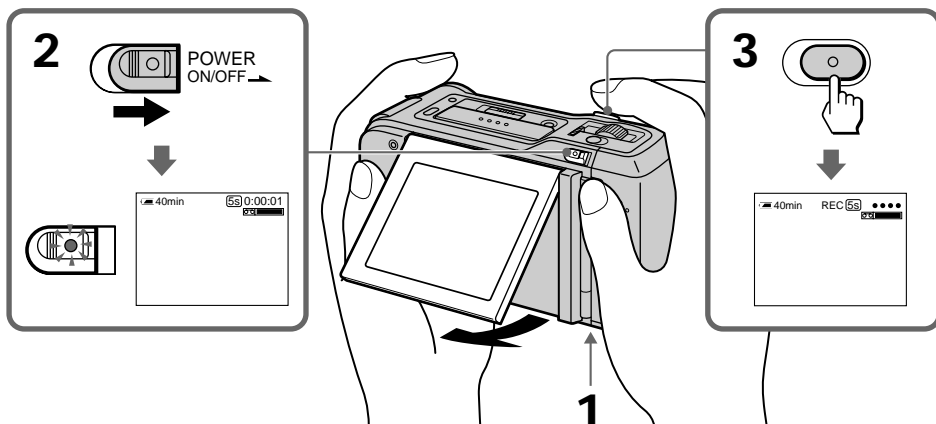
* Approximate minutes to charge an empty battery pack using the supplied charger. (Lower temperatures require a longer charging time.)

Camera recording

Before you record one-time events, you may want to make a trial recording to make sure that the camcorder is working correctly.

- (1) Make sure that the power source is installed. (p. 8, 10)
- (2) While pressing the small button on the POWER switch, slide it in the direction of the arrow. The small button lights up green.
- (3) Press START/STOP. The camcorder records for about 5 seconds and stops. The tape counter disappears and five dots appear. The dots disappear at a rate of one per second. The red lamps light up.

To extend the recording time in 5SEC mode, press START/STOP again before all the dots disappear. Recording continues for about 5 seconds from the moment you press START/STOP.



Adjusting the LCD panel angle

Adjust the LCD panel to the angle you want.

Note


To save battery power and prevent the battery and tape from wearing down, the power turns off automatically if you do not operate the camcorder for 5 minutes while the video cartridge is inserted and the power is on. To start recording, turn the power on again and press START/STOP.

Selecting the START/STOP mode

Your camcorder has three camera recording modes. These modes enable you to take a series of quick shots resulting in a lively video.

Set START/STOP MODE to the desired mode.

5SEC: When you press START/STOP, the camcorder records for about 5 seconds and then stops automatically (factory setting).

ANTI GROUND SHOOTING : The camcorder records only while you press down START/STOP so that you can avoid recording unnecessary scenes.

: Recording starts when you press START/STOP, and stops when you press it again.

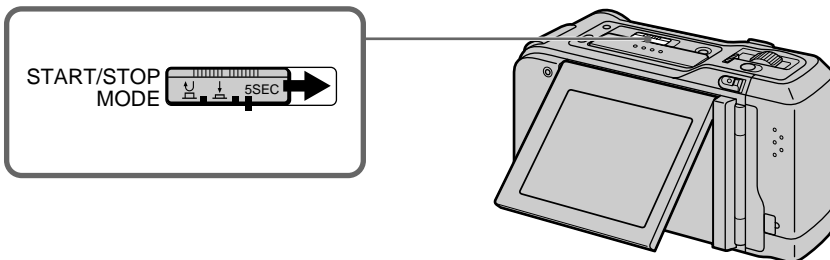
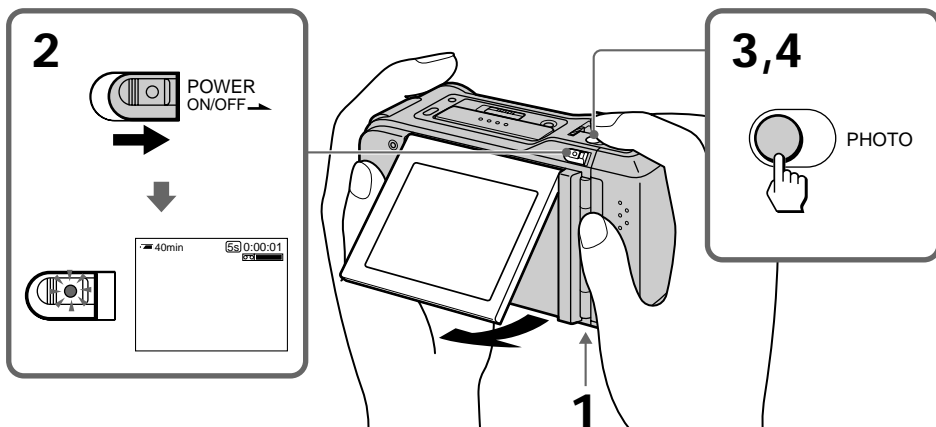


Photo recording

You can record a still picture like a photograph for about five seconds. Photo recording is useful when you want to enjoy a picture such as a photograph or when you print a picture using a video printer.

- (1) Make sure that the power source is installed. (p. 8, 10)
- (2) While pressing the small button on the POWER switch, slide it in the direction of the arrow. The small button lights up green.
- (3) Keep pressing PHOTO lightly until a still picture and " CAPTURE" appear on the LCD screen. To change the still picture, release PHOTO, select still picture again, and keep pressing PHOTO lightly again.
- (4) Press PHOTO deeper. The still picture on the LCD screen is recorded for about five seconds. The tape counter disappears and five dots appear. The dots disappear at a rate of one per second. The red lamps light up. The sound during those five seconds is also recorded.



Adjusting the LCD panel angle

Adjust the LCD panel to the angle you want.

To prevent camera-shake

When shooting a still picture, the slightest movement of the camcorder is noticeable. To prevent camera-shake, hold the camcorder firmly or use a tripod.

Advanced operations

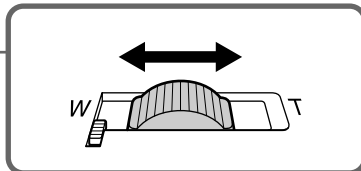
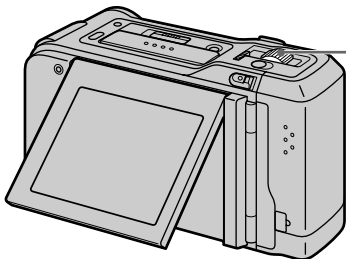
Using the zoom feature

Zooming is a recording technique that lets you change the size of the subject in the scene.

For more professional-looking recordings, use the zoom function sparingly.

“T” side: for telephoto (subject appears closer)

“W” side: for wide-angle (subject appears farther away)




When you shoot a subject using the telephoto zoom

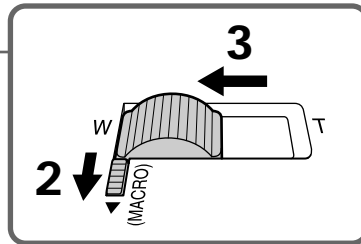
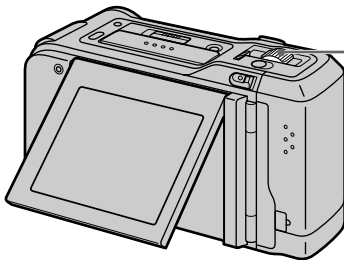
If you cannot get a sharp focus while in extreme telephoto zoom, move the zoom lever to the “W” side until the focus is sharp. You can shoot a subject that is at least about 140 cm (55 1/8 in.) away from the lens surface in the telephoto position, or about 40 cm (15 3/4 in.) away in the wide-angle position. When you shoot a subject closer than about 40 cm (15 3/4 in.), we recommend you shoot in macro.

Shooting a subject closer – Macro

Even small subjects, such as flowers, insects, and images in photographs, can literally fill the screen in macro. You can shoot a subject that is at least about 10 cm (4 in.) away from the lens surface in macro.

We recommend you to use a tripod when shooting in macro.

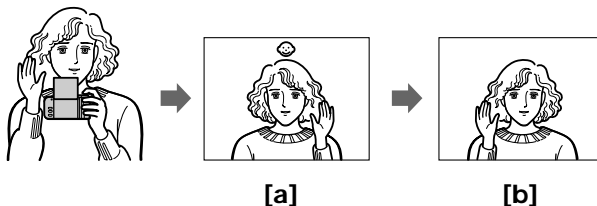
- (1) Bring the camcorder as close as necessary to obtain the desired subject size.
- (2) Slide the MACRO lock switch in the direction of the arrow.
- (3) Move the zoom lever to the “W” side end. The MACRO  indicator appears on the LCD screen.



Letting the subject monitor the shot (Mirror mode)

You can turn the LCD panel over so that it faces the other way and you can let the subject monitor the shot.

- (1) Turn the LCD panel up vertically. The ☺ indicator (Mirror mode) appears and the date and remaining tape indicators disappear.
- (2) Start recording.



[a] LCD screen image.

[b] Recording image.

To cancel mirror mode


Turn the LCD panel down toward the camcorder body.

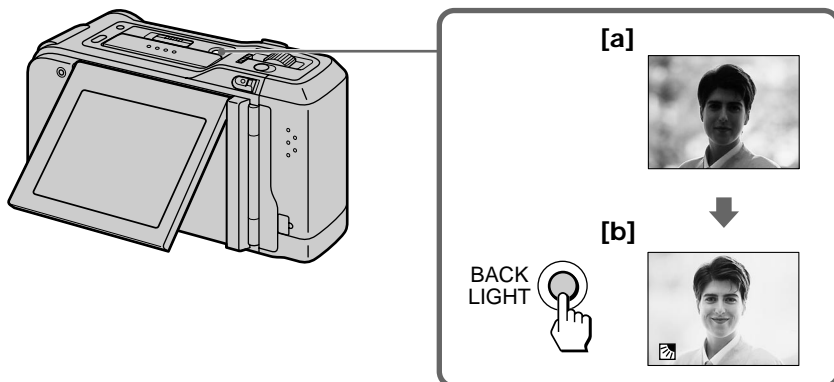
Notes on mirror mode

- The picture on the LCD appears as a mirror-image while recording in mirror mode. The REC indicator appears as ● The other indicators may not appear in mirror mode.
- While recording in mirror mode, you cannot operate the DATE and TIME.

Shooting with backlighting

When you shoot a subject with the light source behind the subject or a subject with a light background, use the BACK LIGHT function.

Press BACK LIGHT. The  indicator appears on the LCD screen.



[a] Subject is too dark because of backlight.

[b] Subject becomes bright with backlight compensation.

After shooting

Be sure to release this adjustment condition by pressing BACK LIGHT again. The  indicator disappears. Otherwise, the picture will be too bright under normal lighting conditions.

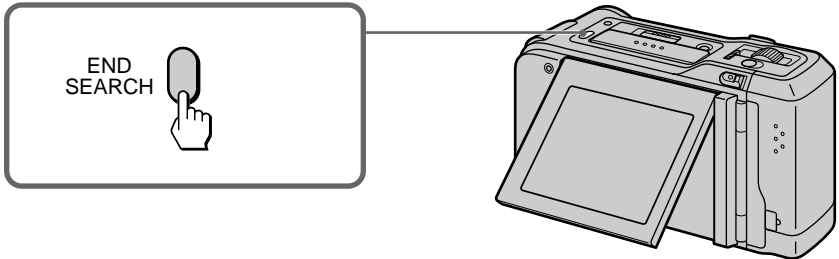
This function is also effective under the following conditions:

- A subject with a light source nearby or a mirror reflecting light.
- A white subject against a white background. Especially when you shoot a person wearing shiny clothes made of silk or synthetic fiber, his or her face tends to become dark if you do not use this function.

Searching for the end of the picture

Press END SEARCH during stop.

The tape starts rewinding or fast-forwarding and the last 5 seconds of the recorded portion play back. Then the tape stops at the end of the recorded picture.



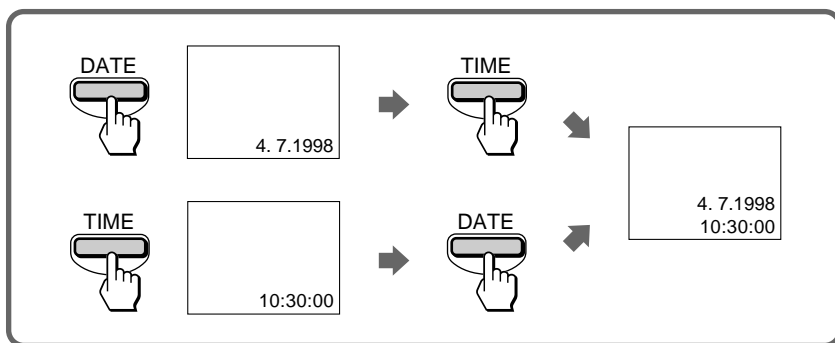
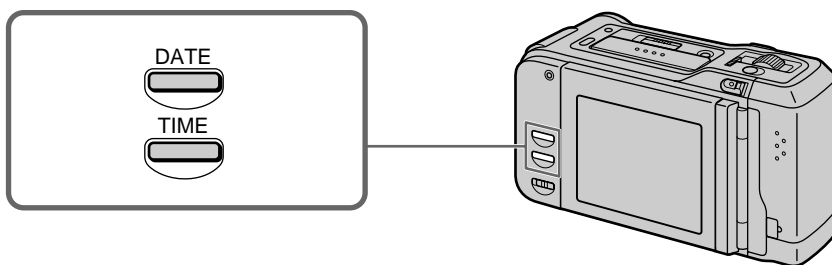
If you start recording after using END SEARCH

Occasionally, the transition between the last scene you recorded and the next scene may not be smooth.

Recording with the date/time

Before you start recording or during recording, press DATE and/or TIME. You can record the date and/or time displayed on the LCD screen with the picture. Press DATE (or TIME), then press TIME (or DATE) to display the date and time together. Except for the date and/or time indicator, no indicator on the LCD screen is recorded. The clock is set at the factory to London time for the United Kingdom and Paris time for the other European countries. You can reset the clock. (p.25)

Press DATE and/or TIME before you start recording or during recording.



Note on recording with the date and/or time
Once you record the date and/or time, you cannot erase it.

To stop recording with the date and/or time

Press DATE and/or TIME again. The date and/or time indicator disappears. The recording continues.



To finish recording

While pressing the small button on the POWER switch, slide it to turn off the camcorder. And remove the batteries.

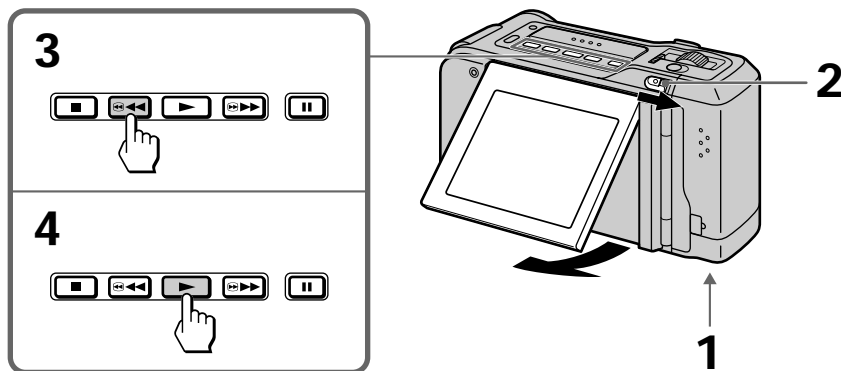
We recommend you turn off the camcorder to prevent wearing down the battery while you do not use the camcorder.

Playing back

You can monitor the playback picture on the LCD screen.

- (1) Make sure that the power source is installed. (p.8,10)
- (2) While pressing the small button on the POWER switch, slide it in the direction of the arrow. The small button lights up green.
- (3) Press  to rewind the tape.
- (4) Press  to start playback.

You can also monitor the picture on a TV screen, after connecting the camcorder to a TV or VCR.



Adjusting the LCD panel angle

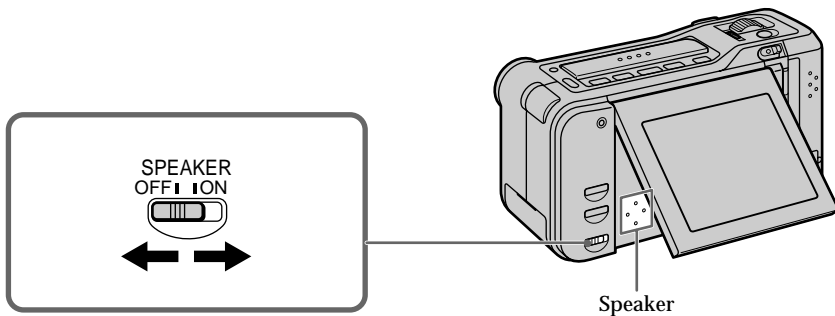
Adjust the LCD panel to the angle you want.

When playing back in the dark

You may find it difficult to view the LCD screen in the dark. We recommend you to monitor the playback picture on the LCD screen where there is more light.

To turn off the speaker

Slide the SPEAKER ON/OFF switch to OFF. To turn on the speaker, slide it to ON.

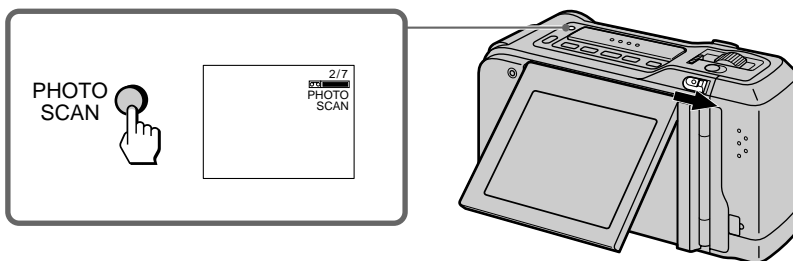


Searching for still pictures

You can search for still pictures one after another and display each picture for about 8 seconds automatically (Photo Scan).

- (1) Make sure that the power source is installed. (p.8,10)
- (2) While pressing the small button on the POWER switch, slide it in the direction of the arrow. The small button lights up in green.
- (3) Press ◀ to rewind the tape to the beginning.
- (4) Press PHOTO SCAN during stop.

Photo scan indicator appears on the LCD screen. Each still picture is displayed for about 8 seconds automatically. The number of the displayed picture and total number of the still pictures are displayed.



To stop searching

Press PHOTO SCAN or ■

Notes on Photo Scan

- The sound is muted.
- The camcorder starts searching from where you pressed PHOTO SCAN.

Various playback modes

To stop playback

Press ■

To view a still picture (playback pause)

Press || during playback. To resume playback, press || or ►

To fast-forward the tape rapidly

Press ►► To resume playback, press ►

To rewind the tape

Press ◀◀ To resume playback, press ►

To locate a scene (picture search)

Keep pressing ◀▶ during playback. To resume normal playback, release the button.

To monitor the high-speed picture while advancing the tape or rewinding (skip scan)

Keep pressing ◀◀ while rewinding or ►► while advancing the tape. To resume rewinding or advancing, release the button. To resume normal playback, press ►

To search for the end of the picture (End Search)

Press END SEARCH during stop. The tape starts rewinding or fast-forwarding and the last 5 seconds of the recorded portion play back. Then the tape stops at the end of the recorded picture.

To search for still pictures (Photo Scan)

Press PHOTO SCAN during stop. Each picture is displayed for about 8 seconds automatically. Then the tape stops at the end of the recorded still picture.

Notes on playback

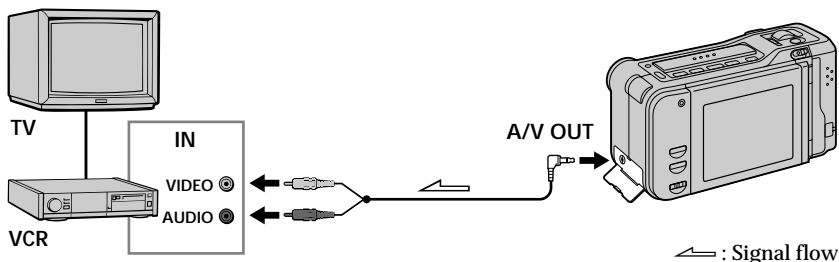
- The following may occur in the various playback modes.
 - Streaks appear and the picture jitters.
 - The sound is muted.
- When playback pause mode lasts for 5 minutes, the camcorder automatically turns off to save battery power and prevent the battery and tape from wearing down. To start viewing a still picture, turn the power on again and press || during playback.

Watching on a TV screen

Connect the camcorder to your TV or VCR to watch the playback picture on the TV screen. Use the supplied A/V connecting cable. When monitoring the playback picture by connecting the camcorder to your TV, we recommend you to use house current for the power source.

Connecting directly to a TV/VCR with Video/Audio input jacks

Open the jack cover. Connect the yellow plug of the A/V connecting cable to video input on the TV or VCR connected to the TV. And connect the black plug of the A/V connecting cable to audio input on the TV or VCR connected to the TV. Set the TV/VCR selector on the TV to VCR. When connecting to the VCR, set the input selector on the VCR to LINE.



If your TV or VCR is a stereo type

Connect only the black plug for audio L (left) on the TV or the VCR. With this connection, the sound is monaural even in stereo model.

When acoustic feedback (howling) occurs

Move the camcorder away from the TV or turn down the volume of the TV.

Editing onto another tape

You can save the recorded picture and create your own video program by editing with any other **8** 8 mm, **Hi8** Hi8, **VHS** VHS, **S-VHS** S-VHS, **VHS-C** VHS-C, **S-VHS-C** S-VHS-C, **B** Betamax VCR or **DV** DV that has video/audio inputs.

Before editing

Connect the camcorder to the VCR using the supplied A/V connecting cable. Set the input selector on the VCR to LINE, if available.

If your VCR is a stereo type

Connect only the black plug for audio L (left) on the VCR. With this connection, the sound is monaural even in stereo models.

Starting editing

Turn off the speaker of the camcorder while editing. Otherwise, picture distortion may occur.

- (1) Insert a blank tape (or a tape you want to record over) into the VCR.
- (2) Playback the recorded video cartridge on the camcorder until you locate the point just before where you want to start editing, then press **II** to set the camcorder in playback pause mode.
- (3) On the VCR, locate the recording start point and set the VCR in recording pause mode.
- (4) First press **II** on the camcorder, and after a few seconds press **II** on the VCR when you want to start editing.

To edit more scenes

Repeat steps 2 to 4.

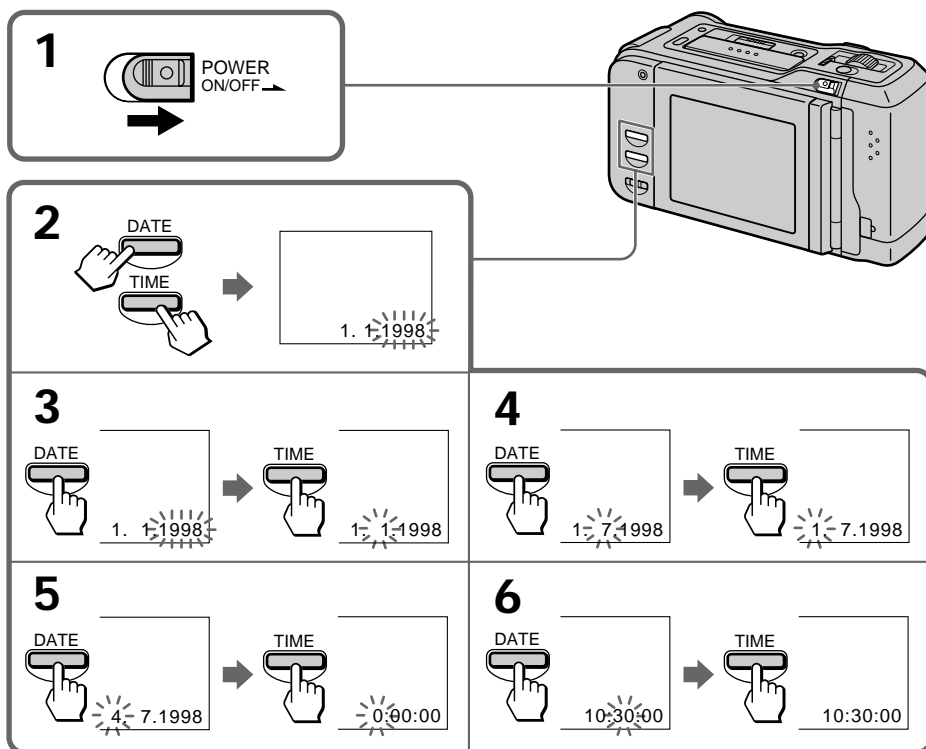
To stop editing

Press **■** on both the camcorder and the VCR.

Resetting the date and time

The DATE and/or TIME can be recorded with the picture. The date and time are set at the factory to London time for the United Kingdom and to Paris time for the other European countries. Set the time according to the local time in your country.

- (1) While pressing the small button on the POWER switch, slide it in the direction of the arrow. The small button lights up green.
- (2) Press DATE and TIME simultaneously for more than 2 seconds until the year flashes on the LCD screen.
- (3) Set the year.
Adjust the flashing year digits with DATE and then press TIME.
- (4) Set the month.
Adjust the flashing month digits with DATE and then press TIME.
- (5) Set the day and hour by the same way as setting the year and month.
- (6) Set the minute and second.
Adjust the flashing minute digits with DATE and then press TIME. The clock starts operating.



About the lithium battery

Your camcorder is supplied with a rechargeable lithium battery installed so as to retain the date and time, regardless of the setting of the power. The lithium battery is always charged as long as you are using the camcorder. The battery, however, will discharge gradually if you use the camcorder for a short time. It will be completely discharged in about a half year if you do not use the camcorder for a long period. Even if the lithium battery is not charged, it will not affect the camcorder operation. To retain the date and time, charge the battery if the battery is discharged. The following are charging methods:

- Connect the camcorder to the house current using the supplied AC adaptor/charger, and leave the camcorder with the power turned off for more than 24 hours.
- Install the fully charged battery pack in the camcorder, and leave the camcorder with the power turned off for more than 24 hours.

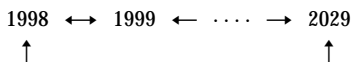
To check the preset date and time

Press DATE to display the date indicator.

Press TIME to display the time indicator.

When you press the same button again, the indicator goes off.

The year changes as follows:



Note on the time indicator

The internal clock of this camcorder operates on a 24-hour cycle.

Tips for using batteries

This section shows you how you can get the most out of your batteries.

Preparing the batteries

Always carry additional batteries

Have sufficient battery power to do 2 to 3 times as much recording as you have planned.

Battery life is shorter in a cold environment

You cannot use LR6 (size AA) batteries in a cold environment. Use the battery pack NP-F10.

Battery efficiency is decreased, and the battery pack will be used up more quickly, if you are recording in a cold environment.

To save battery power

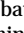
Turn off the camcorder when not recording to save battery power.

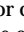
A smooth transition between scenes can be made even if recording is stopped and started again. While you are positioning the subject, selecting an angle, or looking on the LCD screen, the battery is used.

When to replace the battery

While you are using your camcorder, the remaining battery indicator decreases gradually as battery power is used up. When you use the "InfoLITHIUM" battery pack, remaining time in minutes appears.



When the remaining battery indicator reaches the lowest point, the  indicator may appear and start flashing on the LCD screen.

When the  indicator changes from slow flashing to rapid flashing while you are recording, turn off the camcorder replace the battery pack or LR6 (size AA) batteries. Leave the video cartridge in the camcorder to obtain a smooth transition between scenes after the battery pack has been replaced.

Notes on the “InfoLITHIUM” battery pack

What is “InfoLITHIUM”

This camcorder operates only with the “InfoLITHIUM” battery pack (NP-F10).

“InfoLITHIUM” is a trademark of Sony Corporation.

The “InfoLITHIUM” is a lithium ion battery pack which can exchange data with compatible video equipment about its battery consumption.

To obtain more accurate remaining battery indication

Turn on the camcorder and point towards a stationary object. Do not move the camcorder for 30 seconds or more.

Caution

Never leave the battery pack in temperatures above 60°C (140°F), such as in a car parked in the sun or under direct sunlight.

The battery pack heats up

During charging or recording, the battery pack heats up. This is caused by energy that has been generated and a chemical change that has occurred inside the battery pack. This is normal and is not cause for concern.

Be sure to observe the following

- Keep the battery pack away from fire.
- Keep the battery pack dry.
- Do not open nor try to disassemble the battery pack.
- Do not expose the battery pack to any mechanical shock.

The life of the battery pack

If the battery indicator flashes rapidly just after turning on the camcorder with a fully charged battery pack, the battery pack should be replaced with a new fully charged one.

Charging temperature

You should charge batteries at temperatures from 10°C to 30°C (from 50°F to 86°F). Lower temperatures require a longer charging time.

Notes on LR6 (size AA) batteries

To avoid possible damage from battery leakage or corrosion, observe the following.

- Be sure to insert the batteries in the correct direction.
- Dry batteries are not rechargeable.
- Do not use a combination of new and old batteries.
- Do not use different types of batteries.
- The batteries slowly discharge while not in use.
- Do not use a battery that is leaking.

If battery leakage occurred

- Wipe off the liquid in the battery case carefully before replacing the batteries.
- If you touch the liquid, wash it off with water.
- If the liquid get into your eyes, wash your eyes with a lot of water and then consult a doctor.

Notes on AC adaptor/charger

- Unplug the unit from the wall outlet when not in use for a long time. To disconnect the power cord, pull it out by the plug. Never pull the power cord itself.
- Do not operate the unit with a damaged cord or if the unit has been dropped or damaged.
- Do not bend the power cord forcibly, or put a heavy object on it. This will damage the cord and may cause a fire or electrical shock.
- Be sure that nothing metallic comes into contact with the metal parts of the connecting plate. If this happens, a short may occur and the unit may be damaged.
- Always keep the metal contacts clean.
- Do not disassemble the unit.
- Do not apply mechanical shock or drop the unit.
- While the unit is in use, particularly during charging, keep it away from AM receivers and video equipment because it will disturb AM reception and video operation.
- The unit becomes warm while in use. This is normal.
- Do not place the unit in locations that are:
 - Extremely hot or cold
 - Dusty or dirty
 - Very humid
 - Vibrating

If any difficulty should arise, unplug the unit and contact local authorized Sony service facility.

Precautions

Camcorder operation

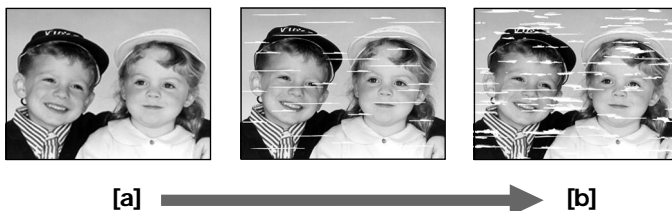
- Operate the camcorder on 3.0 V (LR6 (size AA) batteries X 2), 3.6 V (battery pack) or 4.2 V (AC adaptor/charger).
- For AC operation, use the accessories recommended in this manual.
- Should any solid object or liquid get inside the casing, unplug the camcorder and have it checked by local authorized Sony service facility before operating it any further.
- Avoid rough handling or mechanical shock. Be particularly careful of the lens.
- Keep the power turned off when not using the camcorder.
- Do not wrap up the camcorder and operate it since heat may build up internally.
- Keep the camcorder away from strong magnetic fields or mechanical vibration.
- Do not push the LCD screen.
- If the camcorder is used in a cold place, a residual image may appear on the LCD screen. This is not a malfunction.

Camcorder care

- When the camcorder will not be used for a long time, rewind the tape to the beginning and remove the batteries. Periodically turn on the power, operate the camera and player sections and play back for about 3 minutes.
- If fingerprints or dust make the LCD screen dirty, we recommend using a LCD Cleaning Kit (not supplied) to clean the LCD screen.
- Clean the camcorder lens with a soft brush to remove dust. If there are fingerprints on it, remove them with a soft cloth.
- Clean the camcorder body with a dry soft cloth, or a soft cloth lightly moistened with a mild detergent solution. Do not use any type of solvent which may damage the finish.


About the video cartridge

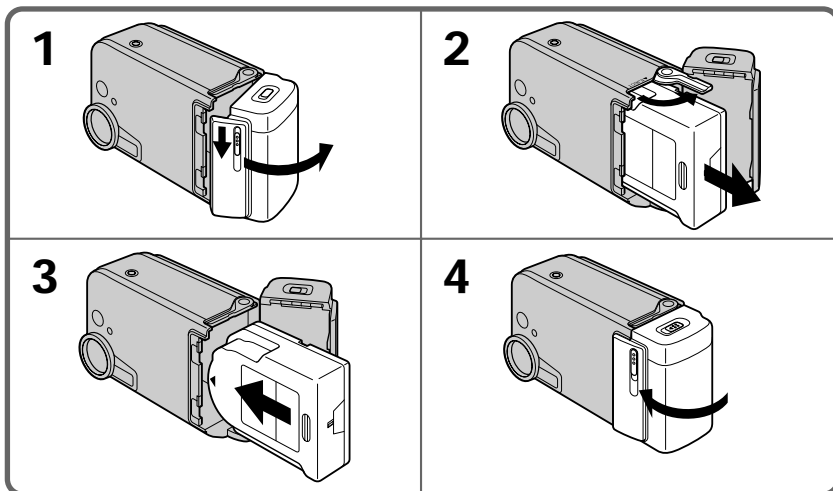
The video cartridge can be recorded for about 30 minutes of camera recording and about 350 still pictures. When you record and rewind several hundred times, playback pictures become hard to see. In this case, the video cartridge should be replaced with a new video cartridge (not supplied). For more information about the video cartridge, contact local authorized Sony service facility.



[a] Normal
[b] Unclear

To change the video cartridge

- (1) To open the lid of the video cartridge compartment, slide the knob in the direction of the arrow.
- (2) Slide the eject lever in the direction of the arrow, and remove the video cartridge.
- (3) Insert the new video cartridge with the  mark facing toward until it clicks.
- (4) Close the lid.

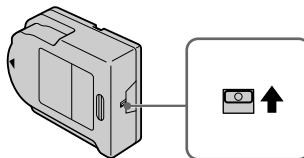


To prevent misoperation

When you install or remove the video cartridge, turn off the camcorder to prevent misoperation of the camcorder.

To prevent accidental erasure

Slide the tab on the video cartridge to expose the red mark. If you try to record with the red mark exposed, you cannot record. To re-record on this video cartridge, slide the tab back out to cover the red mark.



Trouble check

If you run into any problem using the camcorder, use the following table to troubleshoot the problem. Should the difficulty persist, disconnect the power source and contact local authorized Sony service facility.

Camcorder

Symptom	Cause and/or Corrective Actions
START/STOP does not operate.	<ul style="list-style-type: none">• The tape has run out. → Rewind the tape. (p. 20)• The tab on the video cartridge is out (red). → Use a new video cartridge or slide the tab back. (p. 31)• The video cartridge is not installed. → Install the video cartridge. (p. 31)
Recording stops in a few seconds.	<ul style="list-style-type: none">• The START/STOP MODE switch is set to 5SEC or $\frac{1}{2}$. → To record continuously, set it to $\frac{1}{2}$. (p. 13)
The power goes off.	<ul style="list-style-type: none">• When the power is on and the camcorder has not been operated for more than 5 minutes, the camcorder turns off automatically. This prevents wearing down the battery and wearing out the video cartridge. → Slide the POWER switch to turn on the camcorder. (p. 12)• The LR6 (size AA) batteries or the battery pack is dead / near the end. → Install new LR6 (size AA) batteries or a charged battery pack. (p. 8)
A vertical band appears when a subject such as lights or a candle flame is shot against a dark background.	<ul style="list-style-type: none">• The contrast between the subject and background is too high. The camcorder is not malfunctioning. → Change locations.
A vertical band appears when shooting a very bright subject.	<ul style="list-style-type: none">• The camcorder is not malfunctioning.
The tape does not move when a video control button is pressed.	<ul style="list-style-type: none">• The tape has run out. → Rewind the tape. (p. 20)• The video cartridge is not installed. → Install the video cartridge. (p. 31)
No sound is heard when playing back a tape.	<ul style="list-style-type: none">• The speaker is turned off. → Set the speaker switch to ON. (p. 20)
The power is not on.	<ul style="list-style-type: none">• The LR6 (size AA) batteries or the battery pack is dead / not installed / near the end. → Install new LR6 (size AA) batteries or a charged battery pack. (p. 8)• The batteries are not inserted with the correct polarity. → Insert the batteries in the correct direction. (p. 8)• The power cord is not connected to a wall outlet. → Connect the power cord to a wall outlet. (p. 10)

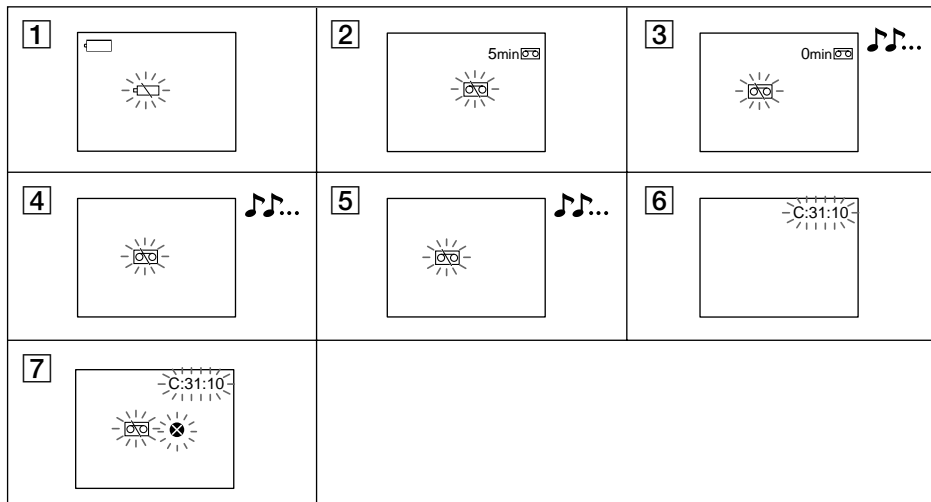
Trouble check

Symptom	Cause and/or Corrective Actions
The LR6 (size AA) batteries or the battery pack is quickly discharged.	<ul style="list-style-type: none">• The ambient temperature is too low. (p. 27)• The battery pack has not been charged fully. → Charge the battery pack again. (p. 11)• The LR6 (size AA) batteries or the battery pack is completely dead, and the battery pack cannot be recharged. → Use new LR6 (size AA) batteries or another battery pack. (p. 27)
The date or time indicator displays bars (-:-:-:-).	<ul style="list-style-type: none">• Reset the date and time. (p. 25)
The beep sounds for 5 seconds.	<ul style="list-style-type: none">• Some trouble occurred in your camcorder. → Turn off the camcorder once, and then turn on the camcorder again. → Change the power source.
Acoustic feedback (howling) occurs.	<ul style="list-style-type: none">• The camcorder is placed near the TV. → Move the camcorder away from the TV. → Turn down the volume of the TV.

Warning indicators

If indicators flash on the LCD screen, check the following:

♪♪... : you can hear the beep sound.

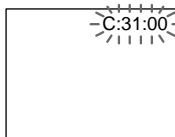


- 1** The battery is weak or dead.
Slow flashing: The battery is weak.
Fast flashing: The battery is dead.
- 2** The tape is near the end.
The flashing is slow.
- 3** The tape has run out.
The flashing becomes rapid.
- 4** No video cartridge has been inserted.
- 5** The tab on the video cartridge is out (red).
- 6** The self-diagnosis function works .
This function displays the camcorder's condition with five digits on the LCD screen. The five-digit display informs you of the camcorder's current condition. (p. 35)
If the display does not disappear, contact local authorized Sony service facility.
- 7** Some other trouble has occurred.
Turn off the camcorder and remove the LR6 (size AA) batteries or the battery pack once. Then install the LR6 (size AA) batteries or the battery pack and turn on the camcorder.
If the display does not disappear, contact local authorized Sony service facility.

Self-diagnosis display

The camcorder has a self-diagnosis display. This function displays the camcorder's condition with five digits (a combination of a letter and figures) on the LCD screen. If this occurs, check the following code chart. The five-digit display informs you of the camcorder's current condition. The last two digits (indicated by □□) will differ depending on the state of the camcorder.

LCD screen



Self-diagnosis display

- C:□□:□□
You can service the camcorder yourself.
- E:□□:□□
Contact local authorized Sony facility.

Five-digit display	Cause and/or Corrective Actions
C:31:□□ C:32:□□	<ul style="list-style-type: none">• A serviceable situation not malfunctioned above has occurred.<ul style="list-style-type: none">→ Turn off the camcorder once and turn it on again, then operate the camcorder.→ Change the power source, then operate the camcorder.→ Leave the camcorder for about 1 hour, then operate the camcorder.
E:61:□□ E:62:□□	<ul style="list-style-type: none">• A camcorder malfunction which you cannot correct has occurred.<ul style="list-style-type: none">→ Contact your local authorized Sony service facility and inform them of the five digits. (example: E:61:10)

If you are unable to resolve the problem, contact local authorized Sony service facility.

Using your camcorder abroad

Each country or area has its own electric and TV color systems. Before using your camcorder abroad, check the following points.

Power sources

You can use your camcorder in any country or area with the supplied two LR6 (size AA) batteries, battery pack or AC power adaptor within 100 V to 240 V AC, 50/60 Hz.

Different color systems

This camcorder is an PAL system based camcorder. If you want to view the playback picture on a TV, it must be an PAL system based TV. Check the following list.

PAL system

Australia, Austria, Belgium, China, Czech Republic, Denmark, Finland, Germany, Great Britain, Holland, Hong Kong, Italy, Kuwait, Malaysia, New Zealand, Norway, Portugal, Singapore, Slovak Republic, Spain, Sweden, Switzerland, Thailand, etc.

PAL-M system

Brazil

PAL-N system

Argentina, Paraguay, Uruguay

NTSC system

Bahama Islands, Bolivia, Canada, Central America, Chile, Colombia, Ecuador, Jamaica, Japan, Korea, Mexico, Peru, Surinam, Taiwan, the Philippines, the U.S.A., Venezuela, etc.

SECAM system

Bulgaria, France, Guyana, Hungary, Iran, Iraq, Monaco, Poland, Russia, Ukraine, etc.

Specifications

Video camera recorder

System

Video recording system
2 rotary heads
Helical scanning FM system
Audio recording system
Rotary heads, FM system
Video signal
PAL color, CCIR standards
Recording / Playback time
30 min.
Fast-forward/rewind time
Approx. 2 min.
Image device
CCD (Charge Coupled Device)
Lens
Combined power zoom lens
3 × (Optical)
Focal distance
3.4 - 10.2 mm (5/32 - 13/32 in.)
(33 - 99 mm (1 5/16 - 4 in.) when
converted to a 35 mm still camera)
F 2.8 - 3.9
Color temperature
Auto
Minimum illumination*
6 lux (F 2.8)
Illumination range
6 lux to 100,000 lux
Recommended illumination
More than 100 lux

Output connector

Video/Audio output
AV mini jack
Video: 75 ohms, unbalanced,
sync negative
Audio: 327 mV, (47 kilohms)
at output impedance less than
2.2 kilohms

LCD screen

Picture
2.5 inches measured diagonally
50.2 × 37.1 mm (2 × 1 1/2 in.)
On-screen display
Reflection method
Total dot number
61,380 (279 × 220)

General

Power requirements
3.0 V LR6 (size AA) batteries X 2
3.6 V Battery pack
4.2 V AC adaptor/charger
Average power consumption
(when using LR6 (size AA)
batteries X 2)
During camera recording : 2.0 W
Operating temperature
0°C to 40°C (32°F to 104°F)
Storage temperature
-20°C to +60°C (-4°F to +140°F)
Dimensions (Approx.)
124.3 x 66.5 x 44.1 mm (w/h/d)
(5 x 2 5/8 x 1 3/4 in.)
Mass (Approx.)
330 g (12 oz)
(including the video cartridge 110
g (4 oz), excluding the batteries)
When operating :
380 g (13 oz)
(including the two LR6 (size AA)
batteries)
370 g (13 oz)
(including the NP-F10 battery
pack)
Microphone
Monaural type
Speaker
Piezo electric speaker
Supplied accessories
VD-CR1 Video cartridge
(1, already installed in your
camcorder)
LR6 (size AA) batteries (2)
NP-F10 Battery pack (1)
AC-VF10 AC adaptor/charger (1)
DK-115 DC connecting cord (1)
Power cord (1)
A/V connecting cable (1)
Hand strap (1, already attached to
your camcorder)
Lens cap (1)
Soft case (1)

AC adaptor/charger

Power requirements
100 - 240 V AC, 50/60 Hz
Output voltage
DC OUT:
4.2 V, 1.8 A in operating mode
4.2 V, 1.4 A in charging mode
Power consumption
23 W
Operating temperature
0°C to 40°C (32°F to 104°F)
Storage temperature
-20°C to +60°C (-4°F to +140°F)
Dimensions (Approx.)
85 × 49 × 39 mm (w/h/d)
(3 3/8 x 1 15/16 x 1 9/16 in.)
excluding projecting parts
Mass (Approx.)
280 g (9 oz) excluding power cord
Cord length (Approx.)
AC power cord: 2 m
Connecting cord: 2 m

Battery pack

Output voltage
3.6 V
Rating capacity
3.6 Wh
Battery used
Lithium-ion battery

Design and specifications are
subject to change without notice.

Index

A, B

Backlight 17
Beep 3, 34

C, D

Camera recording 12
Cartridge 31
Charging battery 11
Clock set 25
Connection 23
Date 19, 25

E

Editing 24
END SEARCH 18, 22

F, G, H

Hand strap 6
House current 10

I, J, K, L

Lens cap 7
Lithium battery 27

M, N, O, P

MACRO 15
Photo recording 14
PHOTO SCAN 21, 22
Playback pause 22
Power sources 8, 10

Q, R

Recording mode 13
Rewind 22

S

Self-diagnosis display 35

T, U, V

Tape counter 7, 12
Time 19, 25
Tripod mounting 6, 15
Trouble check 32
Video cartridge 31

W, X, Y, Z

Watching on a TV 23
Zoom 15

Bienvenue!

Nous vous félicitons pour l'achat de ce caméscope Sony. Ce caméscope vous permet de saisir les moments précieux de la vie avec une qualité d'image et une qualité sonore exceptionnelles.

AVERTISSEMENT

Pour éviter tout risque d'incendie ou d'électrocution, n'exposez pas cet appareil à la pluie ni à l'humidité.

Pour éviter tout risque d'électrocution, n'ouvrez pas le châssis de l'appareil.
Confiez l'entretien exclusivement à un personnel qualifié.

Table des matières

Avant de commencer	3		
Identification des composants	5		
<hr/>			
Prise en main	8	Informations	
Mise en place des piles	8	complémentaires	25
Utilisation de l'alimentation secteur ..	10	Réglage de la date et de l'heure	25
Recharge de la batterie	11	Utilisation optimale de la batterie	
<hr/>			
Prise de vue	12	rechargeable	27
Enregistrement caméra	12	Précautions	30
Enregistrement photo	14	Guide de dépannage	32
Opérations avancées	15	Indicateurs d'avertissement	34
<hr/>			
Lecture	20	Fonction d'auto-diagnostic	35
Lecture	20	Utilisation de votre caméscope à	
Visionnage sur un écran de télévision	23	l'étranger	36
<hr/>			
Montage	24	Spécifications	37
Montage sur une autre cassette	24	Index	38

Avant de commencer

Avant d'utiliser cet appareil, prière de lire attentivement ce manuel et de le conserver pour toute référence ultérieure.

A propos du système d'enregistrement

- L'image et le son sont enregistrés sur la cartouche vidéo de ce caméscope.
- La cartouche vidéo de ce caméscope est déjà mise en place. Vous ne pouvez utiliser que la cartouche vidéo VD-CR1.
- La cartouche vidéo peut contenir environ 30 minutes d'enregistrement caméra et environ 350 images fixes par 5 secondes environ.
- Il est recommandé d'effectuer le montage des images enregistrées sur une autre cassette pour sauvegarde.

Utilisation de ce mode d'emploi

Dans ce manuel, les touches et réglages du caméscope sont indiqués en majuscules. Par exemple, appuyez sur START/STOP. Un bip sonore confirme toujours votre opération.

Remarque sur les standards de télévision couleur

Les standards de télévision couleur varient d'un pays à l'autre. Pour visionner vos enregistrements sur un téléviseur, celui-ci doit être de type PAL.

Remarque sur les droits d'auteur

Les programmes télévisés, films, cassettes vidéo et autres matériaux que vous pourriez enregistrer peuvent être protégés par des droits d'auteur. Un enregistrement illicite de ces matériaux peut être en infraction avec la législation sur les droits d'auteur.

Notre responsabilité ne pourra être engagée si l'enregistrement ou la lecture d'une cassette vidéo a été impossible en raison d'un dysfonctionnement du caméscope, de la cartouche vidéo, etc.

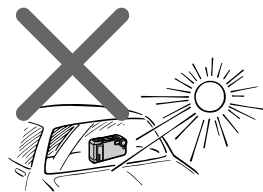
Précautions d'utilisation du caméscope

- L'écran LCD est fabriqué au moyen d'une technologie de haute précision. Toutefois, il se peut qu'il y ait de tout petits points noirs et/ou brillants (rouge, bleu ou vert en couleur) qui apparaissent constamment sur l'écran LCD. Ces points sont normaux dans le processus de fabrication et ne nuisent en rien à l'image enregistrée. Plus de 99,99% sont opérationnels pour une utilisation effective.
- Évitez de mouiller le caméscope. Protégez-le de la pluie ou de l'eau de mer. La pluie ou l'eau de mer peuvent entraîner des dégâts irréparables [a].
- Ne laissez jamais le caméscope exposé à des températures supérieures à 60°C, comme dans un véhicule garé au soleil ou en plein soleil [b].
- Veillez à ce que du sable ne pénètre pas à l'intérieur du caméscope. Lorsque vous utilisez le caméscope sur une plage ou dans un endroit poussiéreux, protégez-le du sable et de la poussière. Le sable et la poussière peuvent en effet provoquer une défaillance de l'appareil qui est parfois impossible de réparer.

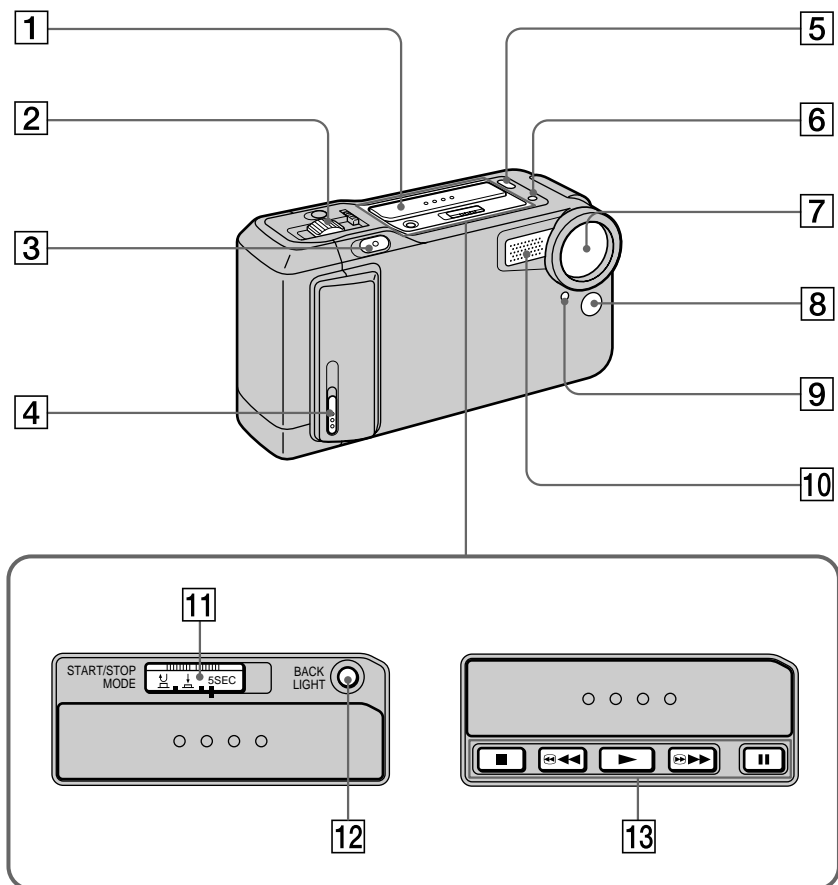
[a]



[b]

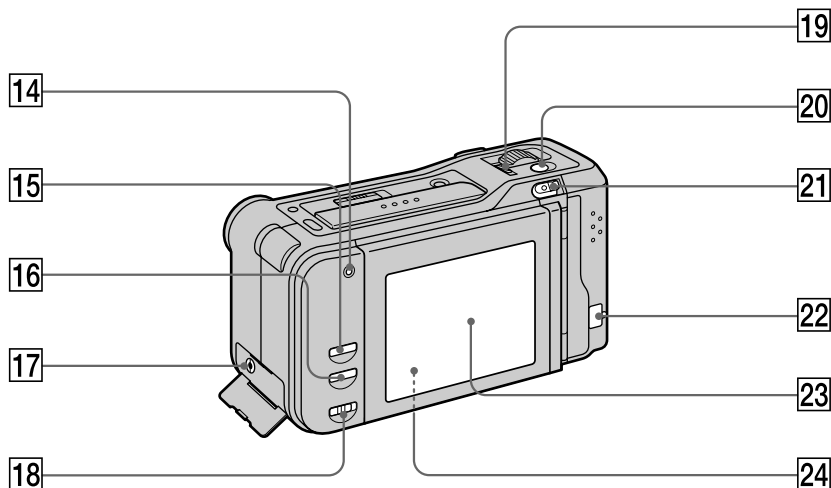


Identification des composants

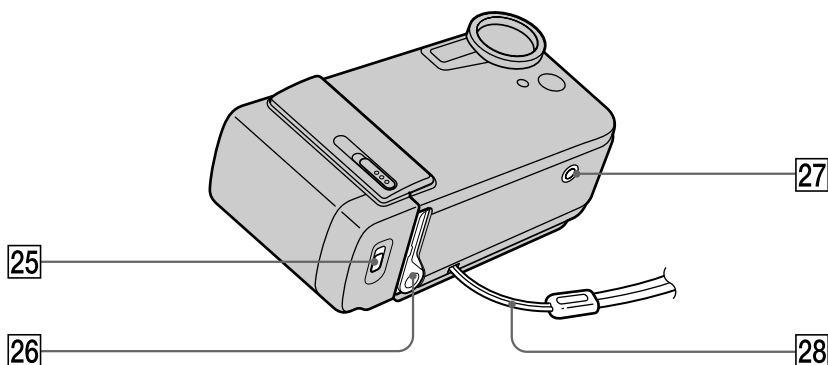


- 1 Couverture coulissante (p. 20)
- 2 Levier du zoom (p. 15)
- 3 Touche START/STOP (p. 12)
- 4 Bouton d'ouverture de la trappe de la cartouche vidéo (p. 31)
- 5 Touche END SEARCH (p. 18, 22)
- 6 Touche PHOTO SCAN (p. 21, 22)
- 7 Objectif
- 8 Capteur de télécommande
Vous pouvez utiliser la télécommande fournie avec d'autres caméscopes ou magnétoscopes Sony. Mettez le mode de commande sur VTR 2. Reportez-vous au mode d'emploi fourni avec le
- 9 Témoin d'enregistrement (p. 12, 14)
- 10 Microphone
- 11 Commutateur START/STOP MODE (p. 13)
- 12 Touche BACK LIGHT (p. 17)
- 13 Touches d'exploitation vidéo (p. 22)
 - STOP (arrêt)
 - ◀◀ REW (rembobinage)
 - ▶▶ PLAY (lecture)
 - ▶▶ FF (avance rapide)
 - || PAUSE (pause)

Identification des composants



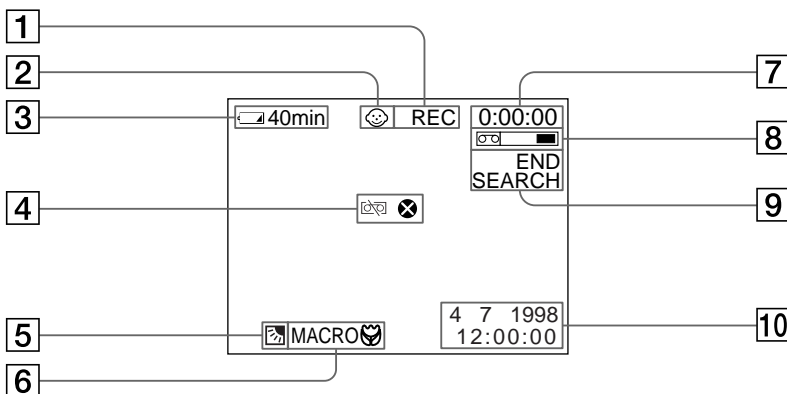
- | | |
|---|--|
| 14 Témoin d'enregistrement (p. 12, 14) | 20 Touche PHOTO (p. 14) |
| 15 Touche DATE (p. 19, 25) | 21 Commutateur POWER ON/OFF (p. 12) |
| 16 Touche TIME (p. 19, 25) | 22 Couvre-fil (p. 10) |
| 17 Prise A/V OUT (p. 23) | 23 Ecran LCD (p. 12, 14, 20) |
| 18 Commutateur SPEAKER ON/OFF (p. 20) | 24 Haut-parleur (p. 20) |
| 19 Commutateur de verrouillage MACRO (p. 15) | |



- | |
|---|
| 25 Levier de dégagement OPEN (BATT) (p. 8) |
| 26 Levier d'éjection de la cartouche (p. 31) |
| 27 Réceptacle du pied photographique (p. 15) |

- | | |
|---|--|
| 28 Bandoulière
La bandoulière est déjà fixée. | Assurez-vous que la vis du pied ne dépasse pas 6,5 mm. Sinon, vous ne pourrez pas fixer le pied convenablement et la vis pourrait endommager le caméscope. |
|---|--|

Indicateurs de fonctionnement



1 Mode d'exploitation vidéo (p. 22)

2 Indicateur du mode miroir (p. 16)

3 Indicateur de temps résiduel de la batterie



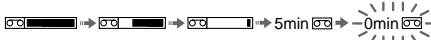
4 Indicateurs d'avertissement (p. 34)

5 Indicateur de contre-jour (p. 17)

6 Indicateur MACRO (p. 15)

7 Compteur de bande (p. 12)/indicateur des fonctions d'auto-diagnostic (p. 35)/indicateur de mode 5SEC (p. 13)/indicateur d'enregistrement photo (p. 14)

8 Indicateur de bande restante



9 Indicateur END SEARCH (p. 18, 22)/indicateur PHOTO SCAN (p. 21, 22)

10 Indicateur de la date et de l'heure (p. 19, 25)

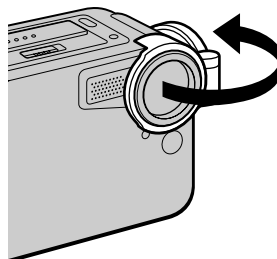
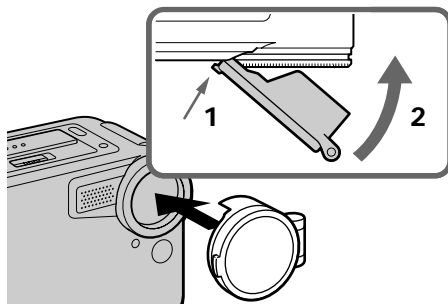
Fixation du capuchon d'objectif

Fixez le capuchon d'objectif fourni sur l'objectif.

(1) Placez le capuchon d'objectif sur l'évidement.

(2) Enfoncez le capuchon d'objectif jusqu'au déclic.

Lors de la prise de vue, ouvrez le capuchon d'objectif.



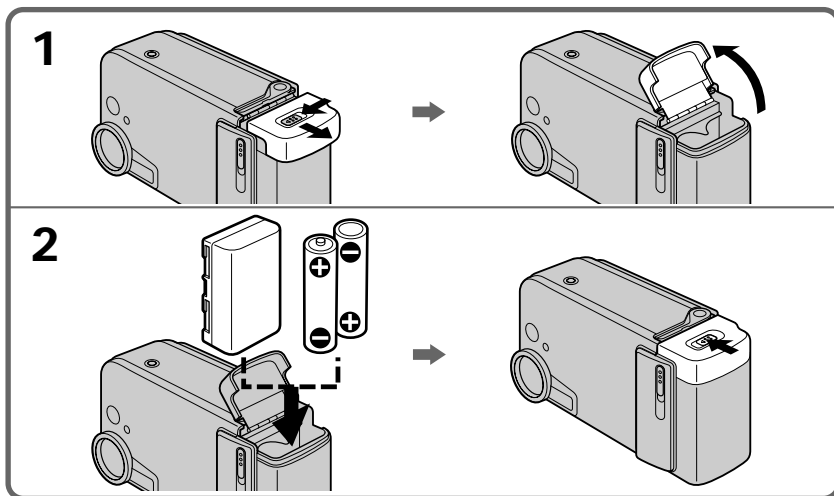
Mise en place des piles

Avant d'utiliser le caméscope, vous devez tout d'abord mettre en place deux piles LR6 (AA) Sony ou la batterie rechargée. Utilisez les piles LR6 (AA) Sony fournies ou la batterie "InfoLITHIUM" NP-F10.

Lors de la mise en place ou du retrait des piles, veillez à éteindre le caméscope pour éviter toute mauvaise manipulation du caméscope.

Vous pouvez également utiliser l'alimentation secteur. (p. 10)

- (1) Pour ouvrir le couvercle du compartiment à piles, faites coulisser le levier de dégagement OPEN (BATT) situé au bas du caméscope vers la gauche, puis faites-le coulisser vers vous et dégagez-le.
- (2) Mettez en place deux piles LR6 (AA) ou la batterie dans le sens de la flèche. Ensuite, refermez le couvercle et faites-le coulisser jusqu'au déclic.



A propos des piles LR6 (AA)

- Veillez à installer les deux piles LR6 (AA) en respectant les polarités.
- Vous ne pouvez pas utiliser les piles LR6 (AA) dans un environnement froid. Utilisez la batterie NP-F10.

Autonomie de la batterie

Utilisation des deux piles LR6 (AA) Sony ou de la batterie rechargée NP-F10:

Type	Piles LR6 (AA)	Batterie NP-F10
Temps d'enregistrement en continu*	60 minutes	90 (80) minutes
Temps d'enregistrement théorique**	30 minutes	50 (45) minutes
Temps de lecture à l'écran LCD	60 minutes	90 (80) minutes

Les chiffres entre parenthèses de la batterie NP-F10 indiquent le temps nécessaire pour effectuer une recharge normale.

* Durée approximative d'enregistrement en continu à 25°C. L'autonomie de la batterie diminue si vous utilisez le caméscope par temps froid.

** Durée approximative en minutes avec des cycles répétés d'enregistrement/d'arrêt et de mise sous/hors tension. L'autonomie réelle peut être plus courte.

Download from [Www.Somanuals.com](http://www.Somanuals.com). All Manuals Search And Download.

Remarque sur l'indication d'autonomie de la batterie pendant l'enregistrement
Lors de l'utilisation de la batterie "InfoLITHIUM", l'autonomie de la batterie s'affiche sur l'écran LCD. Toutefois, il est possible que l'indication n'apparaisse pas clairement en fonction des conditions et circonstances d'utilisation.

Pour retirer les piles

Ouvrez le couvercle du compartiment à piles et retirez les piles.

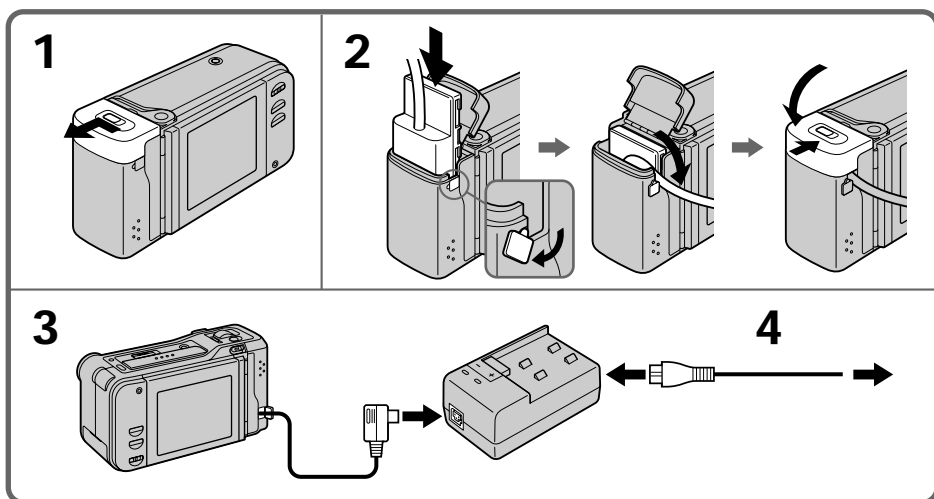
Lors du retrait des piles

Retournez toujours le caméscope de sorte que les piles ne tombent pas accidentellement lorsque vous ouvrez le couvercle.

Utilisation de l'alimentation secteur

Lorsque vous installez ou retirez le bloc du cordon de raccordement en forme de batterie, éteignez le caméscope afin d'éviter toute erreur de manipulation du caméscope.

- (1) Pour ouvrir le couvercle du compartiment à piles, faites coulisser le levier de dégagement OPEN (BATT) situé au bas du caméscope vers la gauche, puis faites-le glisser vers vous et dégagez-le.
- (2) Mettez en place le bloc du cordon de raccordement en forme de batterie dans le sens de la flèche. Ouvrez le couvre-fil et passez le fil à travers. Ensuite, refermez le couvercle et faites-le coulisser jusqu'au déclic.
- (3) Raccordez le cordon de raccordement à l'adaptateur/chargeur secteur.
- (4) Raccordez le cordon d'alimentation à l'adaptateur/chargeur secteur et à une prise murale.



AVERTISSEMENT

Pour le remplacement du cordon d'alimentation, adressez-vous à un magasin qualifié.

Remarque

Eloignez l'adaptateur/chargeur secteur du caméscope si l'image est affectée.

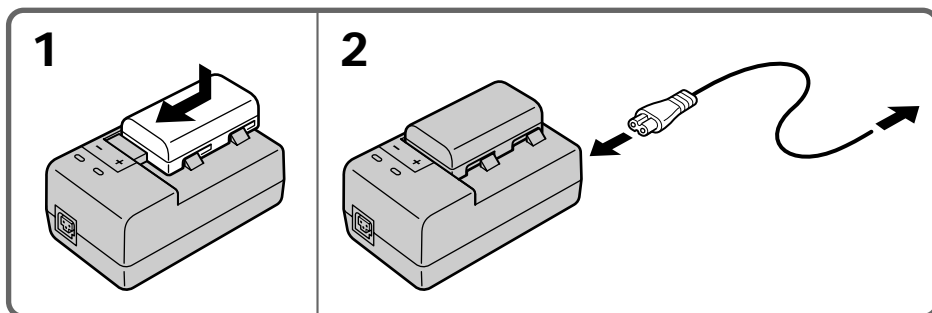
Recharge de la batterie

Rechargez la batterie sur une surface plane exempte de vibrations. La batterie NP-F10 fournie est légèrement rechargée en usine. Pour recharger la batterie, utilisez l'adaptateur/chargeur secteur AC-VF10 fourni.

(1) Mettez la batterie en place et faites-la coulisser dans le sens de la flèche.

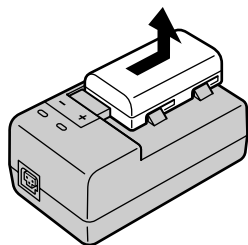
(2) Branchez le cordon d'alimentation à l'adaptateur/chargeur secteur et à une prise murale. Le témoin CHARGE (orange) s'allume. La recharge commence. Lorsque le témoin CHARGE s'éteint, la recharge normale est terminée. Pour effectuer une recharge complète, qui vous permet d'utiliser la batterie plus longtemps que d'habitude, laissez la batterie en place pendant environ une heure en plus que pour la charge normale.

Prise en main



Pour retirer la batterie

Faites coulisser la batterie dans le sens de la flèche.



Temps de recharge

Avec la batterie rechargeable NP-F10:

Temps de recharge*	145 (85) minutes
--------------------	------------------

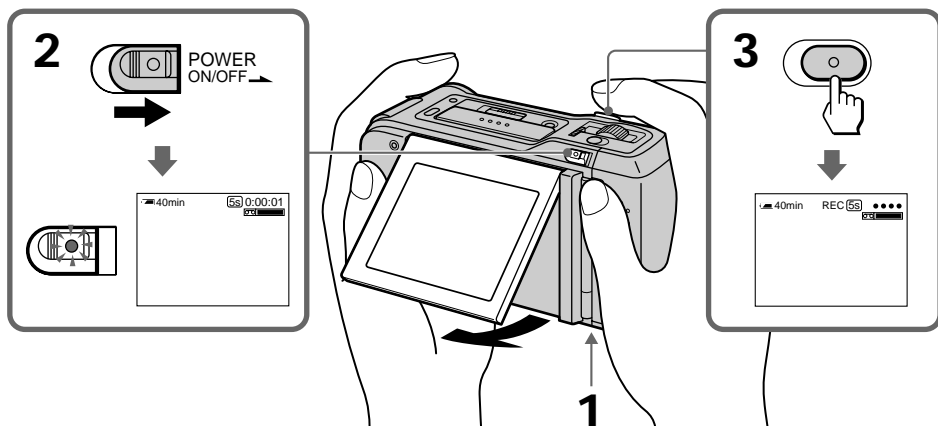
Le temps nécessaire pour effectuer une recharge normale est indiqué entre parenthèses.

* Nombre approximatif de minutes nécessaire pour recharger une batterie vide avec l'adaptateur secteur fourni. (A basse température, le temps de recharge augmente.)

Enregistrement caméra

Avant d'enregistrer des événements exceptionnels, procédez à quelques essais préalables pour vous assurer que vous manipulez correctement le caméscope.

- (1) Assurez-vous que la source d'alimentation est mise en place. (p. 8, 10)
- (2) Tout en appuyant sur le petit bouton du commutateur POWER, faites-le coulisser dans le sens de la flèche. Le petit bouton s'allume en vert.
- (3) Appuyez sur START/STOP. Le caméscope enregistre environ 5 secondes, puis s'arrête. Le compteur de bande disparaît et cinq points apparaissent. Les points disparaissent au rythme d'un point par seconde. Le témoin rouge s'allume. Pour allonger le temps d'enregistrement en mode 5SEC, appuyez de nouveau sur START/STOP avant que ne disparaissent tous les points. L'enregistrement continue pendant environ 5 secondes à partir du moment où vous appuyez sur START/STOP.



Réglage de l'angle du panneau LCD

Réglez le panneau LCD selon l'angle que vous désirez.

Remarque


Pour économiser la batterie et éviter que la batterie et la cassette ne s'usent, l'appareil se met automatiquement hors tension si vous n'utilisez plus le caméscope pendant 5 minutes alors que la cartouche vidéo est introduite et que le caméscope est allumé. Pour débuter l'enregistrement, remettez l'appareil sous tension et appuyez sur START/STOP.


Sélection du mode START/STOP

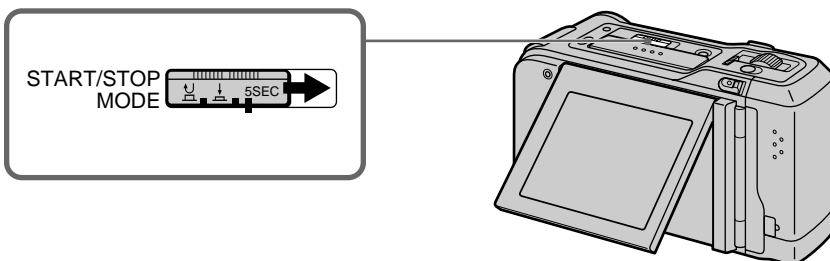
Votre caméscope propose trois modes d'enregistrement caméra. Ces modes vous permettent de prendre une série de clichés successifs pour reproduire une vidéo animée.

Mettez START/STOP MODE sur le mode désiré.

5SEC: lorsque vous appuyez sur START/STOP, le caméscope enregistre environ 5 secondes, puis s'arrête automatiquement (réglage par défaut).

ANTI GROUND SHOOTING  : le caméscope n'enregistre que lorsque vous appuyez sur START/STOP de manière à éviter l'enregistrement de scènes inutiles.

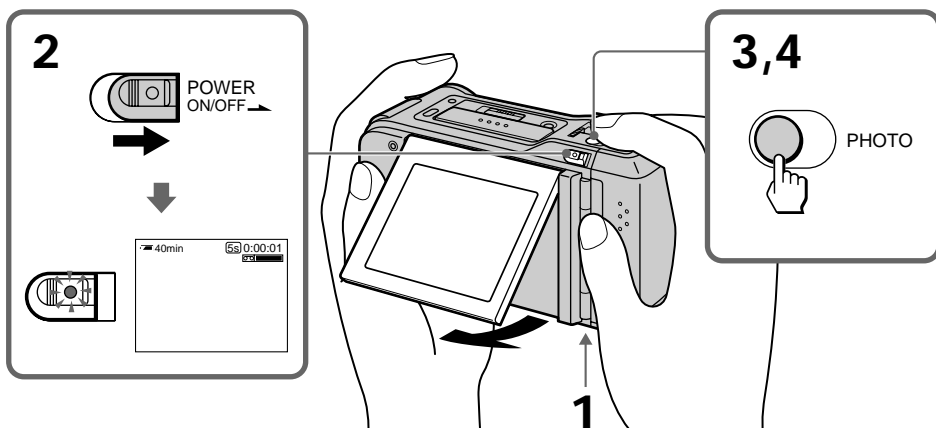
 : l'enregistrement commence lorsque vous appuyez sur START/STOP, puis s'arrête lorsque vous appuyez de nouveau sur la touche.



Enregistrement photo

Vous pouvez enregistrer une image fixe comme une photographie pendant environ cinq secondes. L'enregistrement photo est utile lorsque vous désirez visualiser une image ou si vous voulez imprimer une image à l'aide d'une imprimante vidéo.

- (1) Assurez-vous que la source d'alimentation est mise en place. (p. 8, 10)
- (2) Tout en appuyant sur le petit bouton du commutateur POWER, faites-le coulisser dans le sens de la flèche. Le petit bouton s'allume en vert.
- (3) Maintenez PHOTO légèrement enfoncé jusqu'à ce que l'image fixe et "CAPTURE" apparaissent sur l'écran LCD. Pour changer l'image fixe, relâchez PHOTO, sélectionnez de nouveau l'image fixe, puis maintenez PHOTO légèrement enfoncé.
- (4) Appuyez plus fort sur PHOTO. L'image fixe sur l'écran LCD est enregistrée pendant environ cinq secondes. Le compteur de bande disparaît et cinq points apparaissent. Les points disparaissent au rythme de un point par seconde. Le témoin rouge s'allume. Le son est également enregistré pendant ces cinq secondes.



Réglage de l'angle du panneau LCD

Réglez le panneau LCD selon l'angle désiré.

Pour éviter tout tremblement de la caméra

Lors de la prise de vue d'une image fixe, le moindre mouvement du caméscope est perceptible. Pour éviter tout tremblement de la caméra, maintenez fermement le caméscope ou utilisez un pied photographique.

Opérations avancées

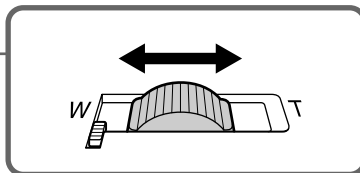
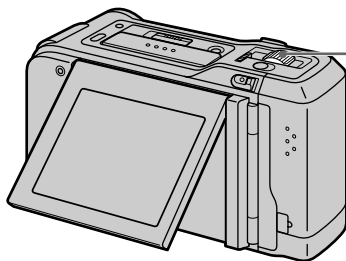
Utilisation du zoom

Le zoom est une technique d'enregistrement qui vous permet de modifier la taille du sujet.

Pour des enregistrements de qualité professionnelle, utilisez le zoom avec parcimonie.

Côté "T": téléobjectif (le sujet apparaît plus proche)

Côté "W": grand angle (le sujet apparaît plus éloigné)



Prise de vue


Pour filmer un sujet en position téléobjectif

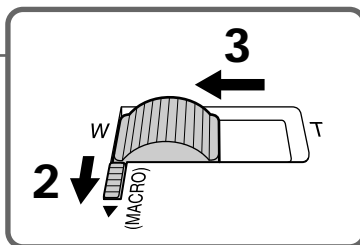
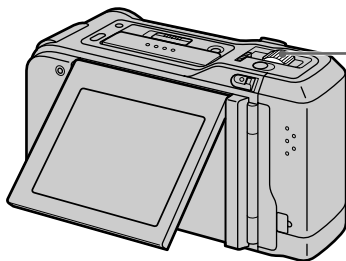
Si vous n'obtenez pas une image nette avec l'agrandissement maximum, déplacez le levier du zoom vers le côté "W" jusqu'à ce que la mise au point soit nette. Vous pouvez viser un sujet situé à au moins 140 cm de la surface de l'objectif en position téléobjectif et à 40 cm en position grand angle. Si vous filmez un objet à une distance inférieure à 40 cm, nous vous recommandons de filmer en mode macro.

Prise de vue d'un sujet proche – Macro

Même les petits sujets, tels que les fleurs, les insectes et les images photographiques, peuvent littéralement remplir l'écran en macro. Vous pouvez filmer un sujet qui se trouve au moins à 10 cm de distance de la surface de l'objectif en macro.

Nous vous recommandons d'utiliser un pied photographique lors de prises de vues en macro.

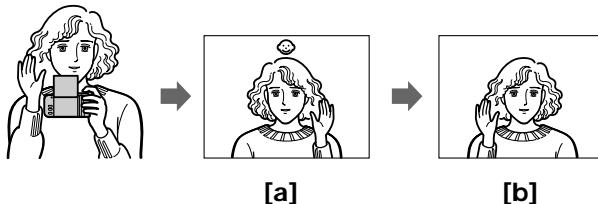
- (1) Rapprochez le caméscope autant que possible du sujet pour obtenir la taille désirée.
- (2) Faites glisser le commutateur de verrouillage MACRO dans le sens de la flèche.
- (3) Déplacez le levier du zoom du côté "W". L'indicateur MACRO  apparaît sur l'écran LCD.



Contrôle de la prise de vue par le sujet (mode miroir)

Vous pouvez complètement retourner le panneau LCD vers vous pour pouvoir contrôler la prise de vue.

- (1) Retournez le panneau LCD verticalement. L'indicateur ☺ (mode miroir) apparaît et les indicateurs de date et de bande restante disparaissent.
- (2) Commencez l'enregistrement



[a] Image sur l'écran LCD

[b] Image enregistrée

Pour annuler le mode miroir

Tournez le panneau LCD vers le bas en direction du châssis du caméscope.

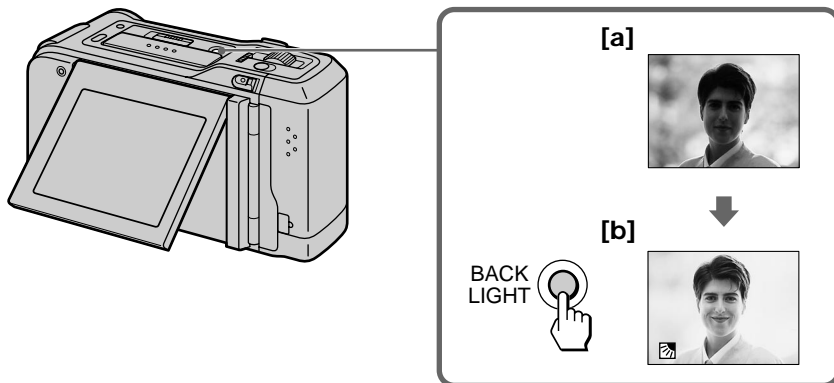
Remarques sur le mode miroir

- L'image sur l'écran LCD est inversée comme une image miroir, pendant l'enregistrement dans ce mode. L'indicateur REC apparaît sous la forme ● Certains indicateurs peuvent ne pas apparaître en mode miroir.
- Pendant l'enregistrement en mode miroir, vous ne pouvez pas activer les fonctions DATE et TIME.

Prise de vue en contre-jour

Lorsque vous filmez un sujet avec une source lumineuse dans son dos ou un sujet avec un arrière-plan lumineux, utilisez la fonction BACK LIGHT.


Appuyez sur BACK LIGHT. L'indicateur  apparaît sur l'écran LCD.



[a] Le sujet est trop sombre en raison du contre-jour.

[b] Le sujet devient plus clair avec la compensation du contre-jour.

Après la prise de vue

Veillez à annuler ce réglage en appuyant de nouveau sur BACK LIGHT. L'indicateur  disparaît. Sinon, l'image sera trop lumineuse dans des conditions normales d'éclairage.

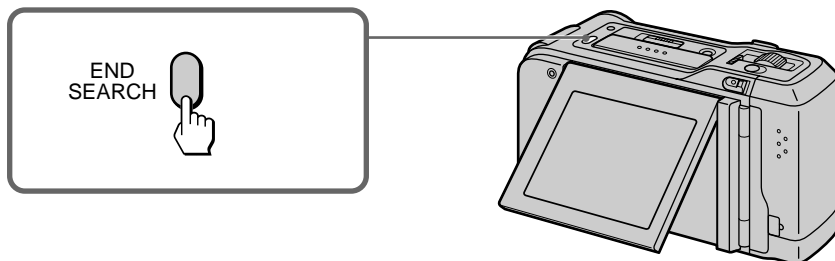
Cette fonction est également efficace dans les circonstances suivantes:

- Un sujet avec une source lumineuse à proximité ou une lumière réfléchie par un miroir.
- Un sujet blanc sur un fond blanc. Plus particulièrement lorsque vous filmez une personne portant des vêtements brillants en soie ou en fibres synthétique, son visage tend à s'assombrir si vous n'utilisez pas cette fonction.

Recherche de la fin d'une cassette

Appuyez sur END SEARCH à l'arrêt.

La cassette est rembobinée ou avancée et les cinq dernières secondes de la portion enregistrée sont reproduites. Ensuite, la cassette s'arrête à la fin de l'image enregistrée.



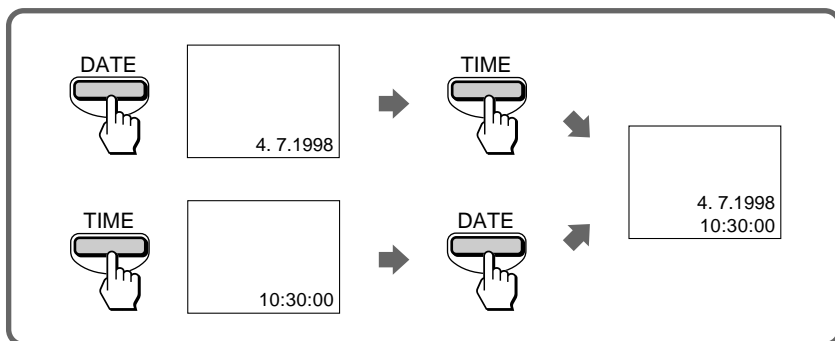
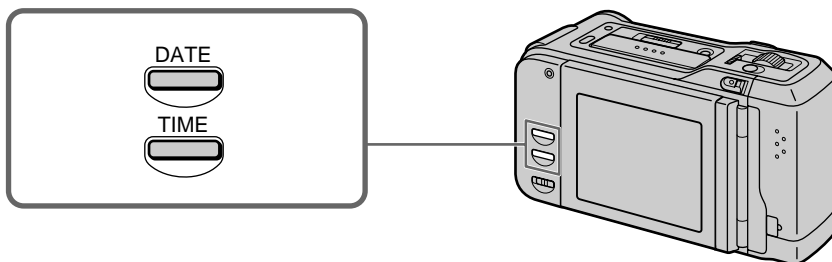
Si vous commencez l'enregistrement après avoir utilisé END SEARCH

Il se peut occasionnellement que la transition entre la dernière scène que vous avez enregistrée et la scène suivante ne soit pas douce.

Enregistrement de la date/heure

Avant de commencer l'enregistrement ou en cours d'enregistrement, appuyez sur DATE et/ou TIME. Vous pouvez enregistrer la date et/ou l'heure affichée sur l'écran LCD avec l'image. Appuyez sur DATE (ou TIME), puis appuyez sur TIME (ou DATE) pour afficher la date et l'heure en même temps. A l'exception de l'indication de la date et/ou de l'heure, aucun indicateur de l'écran LCD n'est enregistré. L'horloge est réglée en usine sur l'heure de Londres pour le Royaume-Uni et sur l'heure de Paris pour tous les autres pays européens. Vous pouvez régler l'horloge. (p.25)

Appuyez sur DATE et/ou TIME avant de commencer l'enregistrement ou en cours d'enregistrement.



Remarque sur l'enregistrement avec la date et/ou l'heure

Une fois que vous enregistrez la date et/ou l'heure, vous ne pouvez plus l'effacer.

Pour arrêter l'enregistrement avec la date et/ou l'heure

Appuyez de nouveau sur DATE et/ou TIME. L'indication de la date et/ou de l'heure disparaît, mais l'enregistrement continue.



Pour terminer l'enregistrement

Tout en appuyant sur le petit bouton du commutateur POWER, faites-le coulisser pour éteindre le caméscope. Puis, retirez les batteries.

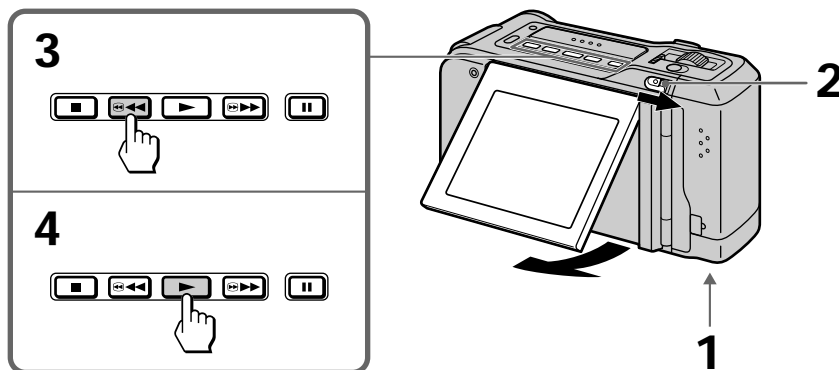
Nous vous recommandons d'éteindre le caméscope pour éviter d'user la batterie lorsque vous n'utilisez pas le caméscope.

Lecture

Vous pouvez visualiser l'image de lecture sur l'écran LCD.

- (1) Assurez-vous que la source d'alimentation est mise en place. (p. 8, 10)
- (2) Tout en appuyant sur le petit bouton du commutateur POWER, faites-le coulisser dans le sens de la flèche. Le petit bouton s'allume en vert.
- (3) Appuyez sur  pour rembobiner la cassette.
- (4) Appuyez sur  pour commencer la lecture.

Vous pouvez également visualiser l'image sur un écran de télévision, après avoir branché le caméscope à un téléviseur ou un magnétoscope.



Réglage de l'angle du panneau LCD

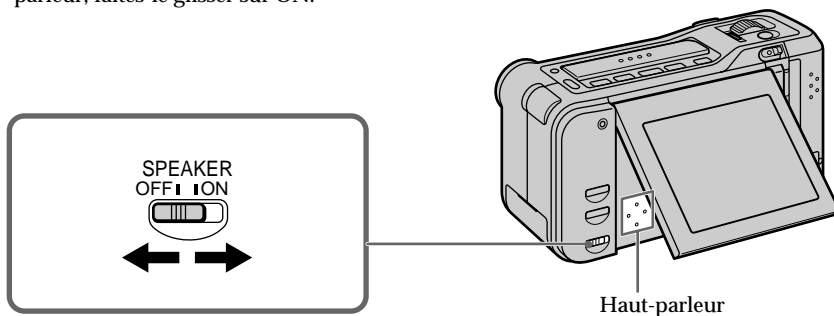
Réglez le panneau LCD selon l'angle que vous désirez.

Lors de la lecture dans l'obscurité

Il se peut que vous éprouviez des difficultés à voir l'écran LCD dans l'obscurité. Nous vous recommandons de visualiser les images de lecture sur l'écran LCD dans un endroit plus lumineux.


Pour couper le haut-parleur

Faites coulisser le commutateur SPEAKER ON/OFF sur OFF. Pour réactiver le haut-parleur, faites-le glisser sur ON.

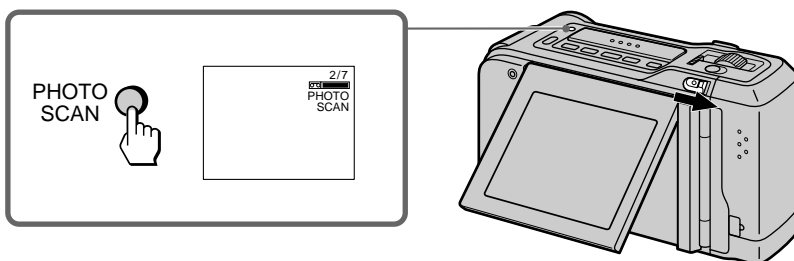


Recherche d'images fixes

Vous pouvez rechercher des images fixes l'une après l'autre et afficher automatiquement chacune d'elles pendant environ 8 secondes (Balayage de photos).

- (1) Assurez-vous que la source d'alimentation est mise en place. (p.8, 10)
- (2) Tout en appuyant sur le petit bouton du commutateur POWER, faites-le glisser dans le sens de la flèche. Le petit bouton s'allume en vert.
- (3) Appuyez sur  pour rembobiner la cassette jusqu'au début.
- (4) Appuyez sur PHOTO SCAN en mode d'arrêt.

L'indicateur du balayage de photos apparaît sur l'écran LCD. Chaque image fixe s'affiche automatiquement pendant 8 secondes. Le numéro de l'image affichée et le nombre total d'images fixes s'affichent.



Pour arrêter la recherche

Appuyez sur PHOTO SCAN ou 

A propos du balayage de photos

- Le son est mis en sourdine.
- Le caméscope commence la recherche à l'endroit où vous avez appuyé sur PHOTO SCAN.

Divers modes de lecture

Pour arrêter la lecture

Appuyez sur ■

Pour visualiser une image fixe (pause de lecture)

Appuyez sur || en cours de lecture. Pour reprendre la lecture, appuyez sur || ou ►

Pour avancer rapidement sur la cassette

Appuyez sur ►► Pour reprendre la lecture, appuyez sur ►

Pour rembobiner la cassette

Appuyez sur ◀◀ Pour reprendre la lecture, appuyez sur ►

Pour localiser une scène (recherche d'image)

Maintenez ◀◀ ou ►► enfoncé en cours de lecture. Pour reprendre la lecture normale, relâchez la touche.

Pour visualiser l'image à haute vitesse tout en avançant la cassette ou le rembobinage (recherche rapide)

Maintenez ◀◀ enfoncé tout en rembobinant ou ►► tout en avançant la cassette. Pour reprendre le rembobinage ou l'avance, relâchez la touche. Pour reprendre la lecture normale, appuyez sur ►

Pour rechercher la fin de la cassette (Recherche de fin d'enregistrement)

Appuyez sur END SEARCH à l'arrêt. La cassette commence le rembobinage ou l'avance rapide et les 5 dernières secondes de la portion enregistrée sont reproduites. Ensuite, la cassette s'arrête à la fin de l'image enregistrée.

Pour rechercher des images fixes (Balayage de photos)

Appuyez sur PHOTO SCAN à l'arrêt. Chaque image s'affiche automatiquement pendant 8 secondes. Ensuite, la cassette s'arrête à la fin de l'image fixe enregistrée.

A propos de la lecture

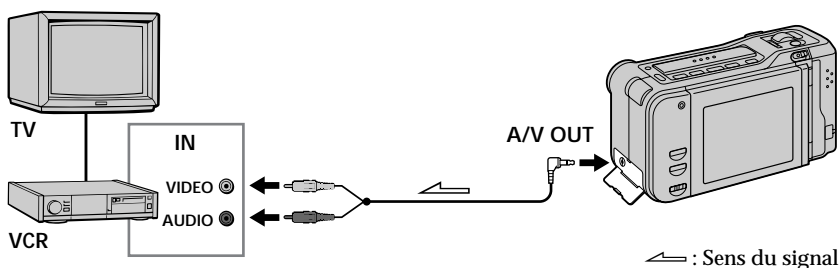
- Il se peut que les phénomènes suivants se produisent dans les différents modes de lecture suivants.
 - Des rayures apparaissent et l'image tremblote.
 - Le son est coupé.
- Lorsque le mode de pause de lecture dure plus de 5 minutes, le caméscope s'éteint automatiquement afin d'économiser l'énergie de la batterie et d'éviter l'usure prématurée de la batterie et de la cassette. Pour commencer à visualiser une image fixe, remettez l'appareil sous tension et appuyez sur || en cours de lecture.

Visionnage sur un écran de télévision

Raccordez le caméscope à votre téléviseur ou votre magnétoscope pour visualiser l'image de lecture sur l'écran du téléviseur. Utilisez le câble de raccordement A/V fourni. Lorsque vous contrôlez l'image de lecture en raccordant le caméscope à votre téléviseur, nous vous recommandons d'utiliser le secteur comme source d'alimentation.

Raccordement direct à un téléviseur/magnétoscope au moyen des prises d'entrée vidéo/audio

Ouvrez le couvre-prise. Branchez la fiche jaune du câble de raccordement A/V à l'entrée vidéo du téléviseur ou du magnétoscope raccordé au téléviseur. Puis, branchez la fiche noire du câble de raccordement A/V à l'entrée audio du téléviseur ou magnétoscope raccordé au téléviseur. Mettez le sélecteur TV/VCR du téléviseur sur VCR. Lors du raccordement au magnétoscope, mettez le sélecteur d'entrée du magnétoscope sur LINE.



Si votre magnétoscope ou téléviseur est de type stéréo

Branchez uniquement la fiche noire pour audio L (gauche) sur le téléviseur ou le magnétoscope. Avec ce raccordement, le son est de type monaural, même en mode stéréo.

En cas de retour acoustique (hurlement)

Eloignez le caméscope du téléviseur ou baissez le volume du téléviseur.

Montage sur une autre cassette

Vous pouvez conserver l'image enregistrée et créer votre propre montage vidéo en copiant différentes séquences à l'aide d'un autre magnétoscope **8** 8 mm, **Hi8** Hi8, **VHS** VHS, **S-VHS** S-VHS, **VHS-C** VHSC, **S-VHS-C** S-VHSC, **B** Betamax ou **DV** DV doté de prises d'entrée vidéo/audio.

Avant le montage

Raccordez le caméscope au magnétoscope au moyen du câble de raccordement A/V fourni.

Mettez le sélecteur d'entrée du magnétoscope sur LINE, le cas échéant.

Si votre magnétoscope est de type stéréo

Branchez uniquement la fiche noire pour audio L (gauche) sur le magnétoscope. Avec ce raccordement, le son est de type monaural, même en mode stéréo.

Lancement du montage

Coupez le haut-parleur du caméscope pendant le montage. Sinon, l'image risque d'être distordue.

- (1) Introduisez une cassette vierge (ou une cassette sur laquelle vous désirez réenregistrer) dans le magnétoscope.
- (2) Lancez la lecture de la cartouche vidéo sur le caméscope jusqu'à ce que vous localisiez l'endroit juste avant le point de départ du montage, puis appuyez sur **II** pour mettre le caméscope en mode de pause de lecture.
- (3) Sur le magnétoscope, localisez le point de départ de l'enregistrement et mettez le magnétoscope en mode de pause d'enregistrement.
- (4) Appuyez tout d'abord sur **II** sur le caméscope et, après quelques secondes, appuyez sur **III** sur le magnétoscope lorsque vous désirez lancer le montage.

Pour effectuer le montage de plusieurs scènes

Répétez les étapes 2 à 4.

Pour arrêter le montage

Appuyez sur **■** sur le caméscope et sur le magnétoscope.

Réglage de la date et de l'heure

La date et/ou l'heure peuvent être enregistrées sur la cassette. L'horloge est réglée en usine sur l'heure de Londres pour le Royaume-Uni et sur l'heure de Paris pour tous les autres pays européens. Réglez l'heure en fonction de l'heure qu'il est chez vous.

(1) Tout en appuyant sur le petit bouton du commutateur POWER, faites-le glisser dans les sens de la flèche. Le petit bouton s'allume en vert.

(2) Appuyez en même temps sur DATE et TIME pendant plus de 2 secondes jusqu'à ce que l'année clignote sur l'écran LCD.

(3) Réglez l'année.

Changez les chiffres clignotants de l'année avec DATE, puis appuyez sur TIME.

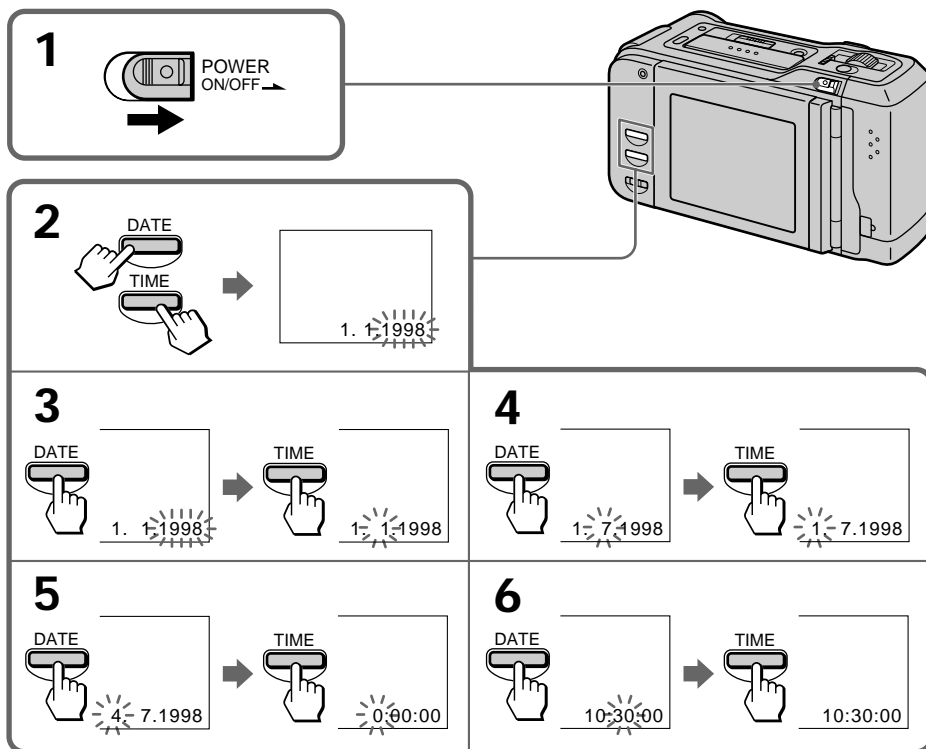
(4) Réglez le mois.

Changez les chiffres clignotants du mois avec DATE, puis appuyez sur TIME.

(5) Réglez le jour et l'heure de la même façon que pour le réglage de l'année et du mois.

(6) Réglez les minutes et les secondes.

Changez les chiffres clignotants des minutes avec DATE, puis appuyez sur TIME. L'horloge met en route.



A propos de la batterie au lithium

Votre caméscope est livré avec une batterie au lithium rechargeable qui permet de conserver la date et l'heure, etc. quel que soit le réglage de l'alimentation. La batterie au lithium se recharge tant que vous utilisez le caméscope. Toutefois, si vous utilisez le caméscope brièvement, elle se décharge progressivement. Elle sera complètement déchargée au bout d'environ 6 mois si vous n'utilisez pas du tout le caméscope pendant cette période. Même si la batterie au lithium n'est pas rechargée, cela n'affectera pas le fonctionnement du caméscope. Pour conserver la date et l'heure, etc., rechargez la batterie si elle se décharge. Voici les méthodes de recharge:

- Branchez le caméscope à la prise secteur au moyen de l'adaptateur/chargeur secteur fourni et laissez le caméscope éteint pendant plus de 24 heures.
- Ou, mettez la batterie complètement rechargée en place dans le caméscope et laissez le caméscope éteint pendant plus de 24 heures.

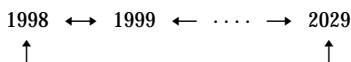
Pour vérifier la date et l'heure présélectionnées

Appuyez sur DATE pour afficher l'indication de la date.

Appuyez sur TIME pour afficher l'indication de l'heure.

Lorsque vous appuyez de nouveau sur cette touche, l'indication disparaît.

L'année change comme suit:



Remarque sur l'indication de l'heure

L'horloge interne de ce caméscope fonctionne selon un cycle horaire de 24 heures.

Utilisation optimale de la batterie rechargeable

Ce chapitre vous explique comment exploiter au mieux votre batterie rechargeable.

Préparation des batteries

Emportez toujours des batteries de rechange

Prévoyez des batteries en nombre suffisant pour couvrir 2 à 3 fois la durée d'enregistrement planifiée.

L'autonomie de la batterie est plus courte par temps froid

Vous ne pouvez pas utiliser des piles LR6 (AA) dans un environnement froid. Utilisez la batterie rechargeable NP-F10.

Le rendement de la batterie diminue et la batterie s'épuise plus rapidement si la température ambiante est basse lors de l'enregistrement.


Pour économiser la batterie


Pour économiser la batterie, éteignez votre caméscope lorsque vous n'enregistrez pas. Une transition en douceur entre les scènes est possible même si vous arrêtez et relancez l'enregistrement. Lorsque vous cadrez le sujet, sélectionnez un angle de vue ou regardez l'écran LCD, la batterie est mise à contribution.

Quand faut-il remplacer la batterie?

A mesure que vous utilisez le caméscope, l'indicateur d'autonomie résiduelle de la batterie diminue progressivement jusqu'à ce que la batterie soit épuisée. Si vous utilisez la batterie rechargeable "InfoLITHIUM", l'autonomie résiduelle apparaît en minutes.



Quand l'indicateur d'autonomie résiduelle de la batterie atteint le dernier point de repère, l'indicateur  apparaît et se met à clignoter sur l'écran LCD.

Lorsque l'indicateur  passe d'un clignotement lent à un clignotement rapide pendant la prise de vue, éteignez le caméscope et remplacez la batterie rechargeable ou les piles LR6 (AA). Laissez la cartouche vidéo dans le caméscope de manière à obtenir une transition progressive avec les prises de vues réalisées après le remplacement de la batterie.

Remarques sur la batterie "InfoLITHIUM"

Qu'est-ce qu'une batterie "InfoLITHIUM"

Ce caméscope ne fonctionne qu'avec une batterie rechargeable "InfoLITHIUM" (NP-F10). "InfoLITHIUM" est une marque de commerce de Sony Corporation.

La batterie "InfoLITHIUM" est une batterie lithium-ion qui échange des données relatives à sa consommation électrique avec tout équipement vidéo compatible.

Pour obtenir une indication de batterie résiduelle plus précise

Allumez le caméscope et dirigez-le vers un sujet stationnaire. Ne touchez pas au caméscope pendant 30 secondes ou plus.

Attention

Ne laissez jamais le caméscope exposé à des températures supérieures à 60°C, comme dans un véhicule garé au soleil ou en plein soleil.

Echauffement de la batterie

En cours de recharge ou d'enregistrement, la batterie s'échauffe. Ce phénomène est dû à l'énergie générée et à la réaction chimique qui se produit dans la batterie. Il n'y a pas lieu de s'inquiéter, ce phénomène est parfaitement normal.

Observez les recommandations suivantes:

- Gardez la batterie à l'écart des flammes.
- Gardez la batterie au sec.
- N'ouvrez pas la batterie et n'essayez pas de la démonter.
- N'exposez pas la batterie à des chocs mécaniques.

Durée de vie de la batterie

Si l'indicateur de batterie clignote rapidement juste après avoir mis le caméscope sous tension avec une batterie entièrement rechargée, c'est qu'il est temps de remplacer la batterie rechargeable par une neuve entièrement rechargée.

Température de charge

Rechargez les batteries à une température comprise entre 10°C et 30°C. Des températures inférieures allongent le temps de charge.

A propos des piles LR6 (AA)

Pour éviter tout dégât éventuel dû à une fuite ou à la corrosion d'une pile, respectez ce qui suit.

- Veillez à introduire les piles dans le bon sens.
- Les piles sèches ne sont pas rechargeables.
- N'utilisez pas un mélange de piles usagées et neuves.
- N'utilisez pas différents types de piles.
- Les piles se déchargent lentement lorsqu'elles ne sont pas utilisées.
- N'utilisez pas de pile qui fuit.

En cas de fuite des piles

- Nettoyez précautionneusement le liquide dans le compartiment à piles avant de remplacer les piles.
- Si vous touchez le liquide, nettoyez-vous les mains à l'eau.
- En cas de contact avec les yeux, rincez-vous les yeux abondamment à l'eau et consultez un médecin.

A propos de l'adaptateur/chargeur secteur

- Débranchez l'appareil de l'alimentation secteur lorsque vous prévoyez de ne plus l'utiliser pendant un certain temps. Pour débrancher, tirez sur la fiche, pas sur le cordon lui-même.
- N'utilisez pas l'appareil si le cordon est endommagé ou si l'appareil est tombé ou est endommagé.
- Ne pliez pas le cordon d'alimentation et ne posez pas un objet lourd dessus, sous risque d'endommager le cordon et de provoquer un incendie ou une électrocution.
- Veillez à ce qu'aucune pièce métallique n'entre en contact avec les parties métalliques de la plaque de connexion. Il pourrait se produire un court-circuit dangereux pour l'appareil.
- Gardez toujours les contacts métalliques bien propres.
- Ne démontez pas l'appareil.
- Ne soumettez pas l'appareil à des chocs mécaniques et évitez de le laisser tomber.
- Lorsque vous utilisez l'appareil, en particulier pendant la recharge de la batterie, éloignez-le des récepteurs AM et des équipements vidéo, car il risque de provoquer des interférences.
- L'appareil s'échauffe pendant son utilisation. C'est parfaitement normal.
- Ne placez pas l'appareil à des endroits:
 - Extrêmement chauds ou froids
 - Sales ou poussiéreux
 - Très humides
 - Soumis à des vibrations

En cas de difficultés, débranchez l'appareil et consultez votre centre de service après-vente Sony agréé.

Précautions

Fonctionnement du caméscope

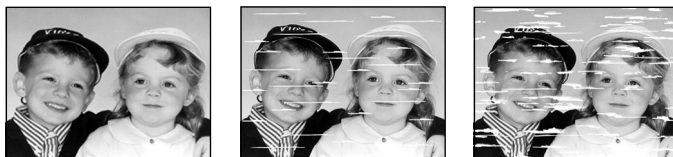
- Alimentez le caméscope sur 3 V (piles LR6 (AA) X 2), 3,6 V (batterie) ou 4,2 V (adaptateur/chargeur secteur).
- Pour une utilisation sur secteur, utilisez les accessoires recommandés dans ce mode d'emploi.
- Si un objet ou du liquide pénètre à l'intérieur de l'appareil, débranchez le caméscope et faites-le vérifier par votre centre de service après-vente Sony agréé avant de le réutiliser.
- Evitez les manipulations brusques et les chocs mécaniques. Prenez particulièrement soin de l'objectif.
- Laissez l'appareil éteint lorsque vous n'utilisez pas le caméscope.
- N'utilisez pas le caméscope lorsqu'il est enveloppé, car il y a un risque de surchauffe.
- Gardez le caméscope à l'abri des champs magnétiques puissants ou des vibrations mécaniques.
- N'appuyez pas sur l'écran LCD.
- Si le caméscope est utilisé dans un endroit froid, il est possible qu'une image rémanente apparaisse sur l'écran LCD. C'est parfaitement normal.

Entretien du caméscope

- Si vous n'utilisez plus le caméscope pendant une période prolongée, rembobinez la cassette au début et enlevez les piles ou la batterie. Allumez le caméscope de temps en temps, faites-le fonctionner en mode caméra et lecture et reproduisez une cassette pendant 3 minutes.
- S'il y a des traces de doigts sur l'écran LCD, utilisez le kit de nettoyage LCD (non fourni) pour les enlever.
- Éliminez la poussière de l'objectif au moyen d'une petite brosse souple. S'il y a des traces de doigts sur l'objectif, utilisez un chiffon doux.
- Nettoyez le châssis du caméscope avec un chiffon doux et sec ou légèrement imbibé d'une solution détergente neutre. N'utilisez aucun type de solvant pour éviter d'endommager la finition.

A propos de la cartouche vidéo

La cartouche vidéo peut enregistrer environ 30 minutes de prises de vues et environ 350 images fixes. Lorsque vous filmez et rembobinez énormément, les images de lecture deviennent difficiles à distinguer. C'est le signe que la cartouche vidéo doit être remplacée par une cartouche neuve (non fournie). Pour plus d'informations relatives à la cartouche vidéo, consultez votre centre de service après-vente Sony agréé.




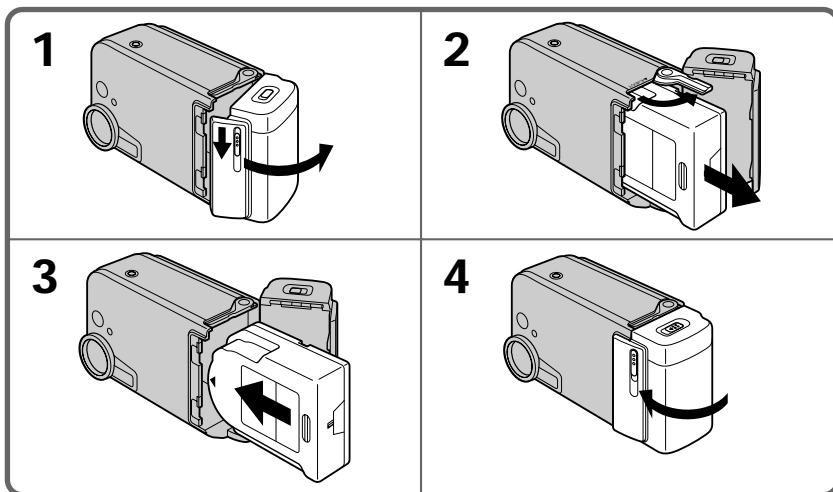
[a]  [b]

[a] Normal

[b] Trouble

Pour remplacer la cartouche vidéo

- (1) Pour ouvrir la trappe du compartiment de la cartouche, faites coulisser le bouton dans les sens de la flèche.
- (2) Faites glisser le levier d'éjection dans les sens de la flèche, puis retirez la cartouche vidéo.
- (3) Introduisez la cartouche vidéo neuve avec le repère  tourné vers vous jusqu'au déclic.
- (4) Refermez la trappe.

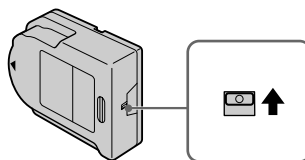


Pour éviter toute erreur de manipulation

Lorsque vous retirez ou mettez en place une nouvelle cartouche vidéo, éteignez le caméscope pour éviter toute erreur de manipulation du caméscope.

Pour éviter un effacement accidentel



Faites coulisser le taquet de la cartouche vidéo afin de faire apparaître la portion rouge. Lorsque la portion rouge est visible, tout enregistrement est impossible sur la cartouche vidéo. Pour réenregistrer sur cette cartouche vidéo, faites glisser le taquet pour obturer la portion rouge.



Guide de dépannage

Si vous rencontrez un problème au cours de l'utilisation du caméscope, référez-vous au tableau suivant pour tenter de remédier à ce problème. Si le problème persiste, débranchez la source d'alimentation et consultez votre centre de service après-vente Sony agréé.

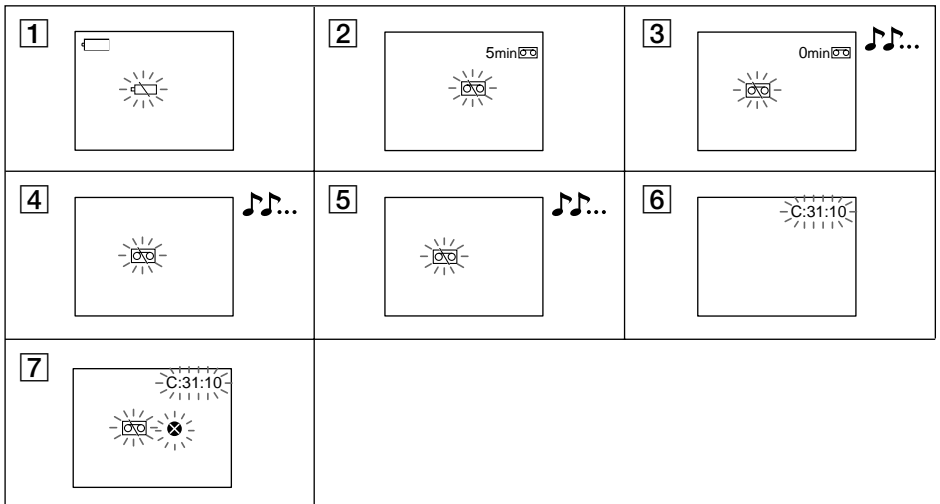
Caméscope

Symptôme	Cause et/ou solution
START/STOP ne fonctionne pas.	<ul style="list-style-type: none">• La cassette est arrivée en fin de bande. → Rembobinez la cassette. (p. 20)• Le taquet de la cartouche vidéo fait apparaître la portion rouge. → Utilisez une cartouche neuve ou dissimulez la portion rouge en faisant coulisser le taquet.• La cartouche vidéo n'est pas en place. → Introduisez la cartouche vidéo. (p. 31)
L'enregistrement s'arrête après quelques secondes	<ul style="list-style-type: none">• Le commutateur START/STOP MODE est mis sur 5SEC ou . → Pour enregistrer en permanence, mettez-le sur . (p. 13)
L'appareil se met hors tension.	<ul style="list-style-type: none">• Lorsque l'appareil est sous tension et que le caméscope n'a pas été utilisé pendant plus de 5 minutes, le caméscope se met automatiquement hors tension pour éviter une usure prématurée de la batterie et de la cartouche vidéo. → Faites coulisser le commutateur POWER pour mettre l'appareil sous tension. (p. 12)• Les piles LR6 (AA) ou la batterie rechargeable sont épuisées/presque mortes. → Placez de nouvelles piles LR6 (AA) ou une batterie rechargée. (p. 8)
Une bande verticale apparaît lorsque vous filmez un sujet tel que des lumières ou la flamme d'une bougie sur un fond sombre.	<ul style="list-style-type: none">• Le contraste entre le sujet et le fond est trop élevé. Le caméscope fonctionne correctement. → Changez d'endroit.
Une bande verticale apparaît lorsque vous filmez un sujet très lumineux.	<ul style="list-style-type: none">• Le caméscope fonctionne correctement.
La cassette ne répond pas aux injonctions des touches d'exploitation vidéo.	<ul style="list-style-type: none">• La cassette est arrivée en fin de bande. → Rembobinez la cassette. (p. 20)• La cartouche vidéo n'est pas mise en place. → Introduisez la cartouche vidéo. (p. 31)
Il n'y a pas de son lors de la lecture d'une cassette.	<ul style="list-style-type: none">• Le haut-parleur est coupé. → Mettez le commutateur du haut-parleur sur ON. (p. 20)
L'appareil n'est pas sous tension.	<ul style="list-style-type: none">• Les piles LR6 (AA) ou la batterie rechargeable sont épuisées/pas installées/presque mortes. → Introduisez des piles LR6 (AA) neuves ou une batterie rechargée. (p. 8)• Les piles ne sont pas en place avec les polarités correctes. → Mettez les piles dans le bon sens. (p. 8)• Le cordon d'alimentation n'est pas branché à une prise secteur. → Raccordez le cordon d'alimentation à une prise murale. (p. 10)

Symptôme	Cause et/ou solution
Les piles LR6 (AA) ou la batterie rechargeable se déchargent rapidement.	<ul style="list-style-type: none">• La température ambiante est trop basse. (p. 27)• La batterie n'a pas été rechargée entièrement. → Rechargez de nouveau la batterie. (p. 11)• Les piles LR6 (AA) ou la batterie sont complètement mortes et il est impossible de recharger la batterie. → Utilisez des piles LR6 (AA) neuves ou une autre batterie rechargée. (p. 27)
L'indication de la date ou de l'heure affiche des barres (--:--:--).	<ul style="list-style-type: none">• Réglez la date et l'heure. (p. 25)
Le bip retentit pendant 5 secondes.	<ul style="list-style-type: none">• Un problème s'est produit dans votre caméscope. → Eteignez de nouveau le caméscope, puis remettez-le sous tension. → Changez la source d'alimentation.
Retour acoustique (hurlement).	<ul style="list-style-type: none">• Le caméscope est placé à côté du téléviseur. → Eloignez le caméscope du téléviseur. → Baissez le volume du téléviseur.

Indicateurs d'avertissement

Si des indicateurs clignotent sur l'écran LCD, procédez aux vérifications suivantes:
♪♪... : vous entendez un bip sonore.



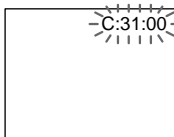
- 1** La batterie est épuisée ou morte.
Clignotement lent: la batterie est épuisée.
Clignotement rapide: la batterie est morte.
- 2** La cassette arrive presque en fin de bande.
Le clignotement est lent.
- 3** La cassette est arrivée en fin de bande.
Le clignotement s'accélère.
- 4** Aucune cartouche vidéo n'est introduite.
- 5** Le taquet de protection de la cartouche vidéo laisse apparaître la portion rouge.
- 6** La fonction d'auto-diagnostic a été enclenchée.
Cette fonction affiche l'état du caméscope sous la forme d'un code à cinq caractères sur l'écran LCD. Ce code à cinq caractères vous informe de l'état actuel du caméscope. (p. 35)
Si l'affichage ne disparaît pas, consultez votre centre de service après-vente Sony agréé.
- 7** Un autre problème s'est produit.
Mettez le caméscope hors tension et retirez les piles LR6 (AA) ou la batterie. Puis, remettez en place les piles LR6 (AA) ou la batterie rechargeable et mettez le caméscope sous tension.
Si l'affichage ne disparaît pas, consultez votre centre de service après-vente Sony agréé.

Fonction d'auto-diagnostic

Ce caméscope possède une fonction d'auto-diagnostic.

Cette fonction exprime l'état du caméscope au moyen de cinq caractères (une combinaison d'une lettre et de chiffres) sur l'écran LCD. Dans ce cas, vérifiez le tableau des codes suivant. L'affichage à cinq chiffres vous informe du statut actuel du caméscope. Les deux derniers chiffres (indiqués par □□) varient en fonction de l'état du caméscope.

Ecran LCD



Fonction d'auto-diagnostic

- C:□□:□□
Vous pouvez résoudre le problème seul.
- E:□□:□□
Consultez votre centre de service après-vente Sony agréé.

Affichage à cinq caractères	Cause et/ou solution
C:31:□□ C:32:□□	<ul style="list-style-type: none">• La fonction d'auto-diagnostic affiche un code signalant une situation pouvant être résolue par vos soins.<ul style="list-style-type: none">→ Mettez le caméscope hors tension, puis de nouveau sous tension, puis faites fonctionner le caméscope.→ Changez la source d'alimentation, puis faites fonctionner le caméscope.→ Laissez le caméscope pendant environ 1 heure, puis faites fonctionner le caméscope.
E:61:□□ E:62:□□	<ul style="list-style-type: none">• La fonction d'auto-diagnostic affiche un code signalant une situation ne pouvant pas être résolue par vos soins.<ul style="list-style-type: none">→ Consultez votre centre de service après-vente Sony agréé et communiquez-leur le code d'entretien de cinq caractères (exemple: E:61:10).

Si vous n'êtes pas en mesure de résoudre le problème seul, consultez votre centre de service après-vente Sony agréé.

Utilisation de votre caméscope à l'étranger

Chaque pays possède ses propres systèmes d'électricité et de télévision couleur. Avant d'utiliser le caméscope dans un autre pays, vérifiez les points suivants.

Sources d'alimentation

Vous pouvez utiliser votre caméscope dans n'importe quel pays ou région avec les deux piles LR6 (AA), la batterie ou avec l'adaptateur secteur, fournissant une tension d'alimentation comprise entre 100 et 240 V CA, 50/60 Hz.

Différence entre les systèmes de télévision couleur

Votre caméscope est basé sur le système PAL. Si vous souhaitez visionner l'image sur un téléviseur, celui-ci doit également être basé sur le système PAL. Consultez la liste ci-dessous.

Système PAL

Allemagne, Australie, Autriche, Belgique, Chine, Danemark, Espagne, Finlande, Grande-Bretagne, Hongkong, Italie, Koweït, Malaisie, Norvège, Nouvelle-Zélande, Pays-Bas, Portugal, République slovaque, République tchèque, Singapour, Suède, Suisse, Thaïlande, etc.

Système PAL-M

Brésil

Système PAL-N

Argentine, Paraguay, Uruguay

Système NTSC

Amérique centrale, Bahamas, Bolivie, Canada, Chili, Colombie, Corée, Equateur, Etats-Unis, Jamaïque, Japon, Mexique, Pérou, Philippines, Surinam, Taiwan, Venezuela, etc.

Système SECAM

Bulgarie, France, Guyane, Hongrie, Irak, Iran, Monaco, Pologne, Russie, Ukraine, etc.

Spécifications

Caméra vidéo (caméscope)

Système

Système d'enregistrement vidéo
2 têtes rotatives

Système FM à balayage hélicoidal
Système d'enregistrement audio

Têtes rotatives, système FM

Signal vidéo

Standards PAL couleur, CCIR

Durée d'enregistrement/de
lecture

30 min.

Temps d'avance/rembobinage
rapide

Approx. 2 min.

Système d'image

CCD (Capteur numérique
transistorisé)

Objectif

Objectif à zoom électrique
combiné

3 X (optique)

Distance focale

3,4 - 10,2 mm

(33 - 99 mm en cas de conversion
en caméra fixe 35 mm)

F 2,8 - 3,9

Température de couleur

Auto

Eclairage minimal*

6 lux (F 2,8)

Plage d'éclairage

6 lux à 100.000 lux

Eclairage recommandé

Plus de 100 lux

Connecteur de sortie

Sortie vidéo/audio

Miniprise AV

Vidéo: 75 ohms, asymétrique,
synchro négative

Audio: 327 mV, (47kohms) à une
impédance de sortie inférieure à
2,2 kohms

Ecran LCD

Image

2,5 pouces mesurés en diagonale

50,2 × 37,1 mm

Affichage sur écran

Méthode de réflexion

Nombre total de points

61.380 (279 × 220)

Généralités

Alimentation

3,0 V Piles LR6 (AA) X 2

3,6 V Batterie rechargeable

4,2 V Adaptateur/chargeur
secteur

Consommation moyenne
(avec des piles LR6 (AA) X 2)

En cours d'enregistrement: 2,0 W

Température d'utilisation

0°C à 40°C

Température de stockage

-20°C à +60°C

Dimensions (approx.)

124,3 × 66,5 × 44,1 mm (l/h/p)

Poids (approx.)

330 g

(avec une cartouche vidéo VD-CR1
de 110 g, sans les piles)

En ordre de marche :

380 g

(avec les deux piles LR6 (AA))

370 g

(avec une batterie NP-F10)

Microphone

Monaural

Haut-parleur

Haut-parleur piézoélectrique

Accessoires fournis

Cartouche vidéo VD-CR1

(1, déjà en place dans le
caméscope)

Piles LR6 (AA) (2)

Batterie rechargeable NP-F10 (1)

Adaptateur/chargeur secteur AC-
VF10 (1)

Cordon de raccordement DK-115
(1)

Cordon d'alimentation (1)

Câble de raccordement A/V (1)

Bandoulière (1, déjà fixée au
caméscope)

Capuchon d'objectif (1)

Sac de rangement (1)

Adaptateur/chargeur secteur

Alimentation

100 - 240 V CA, 50/60 Hz

Tension de sortie

DC OUT:

4,2 V, 1,8 A en mode de
fonctionnement

4,2 V, 1,4 A en mode de charge

Consommation

23 W

Température d'utilisation

0°C à 40°C

Température de stockage

-20°C à +60°C

Dimensions (approx.)

85 × 49 × 39 mm (l/h/p) sans les
parties saillantes

Poids (approx.)

280 g sans le cordon
d'alimentation

Longueur du cordon (approx.)

Cordon d'alimentation secteur: 2 m

Cordon de raccordement: 2 m

Batterie rechargeable

Tension de sortie

3,6 V

Capacité nominale

3,6 Wh

Batterie utilisée

Batterie au lithium-ion

La conception et les spécifications
sont sujettes à modifications sans
préavis.

Index

A, B

Alimentation secteur 10
Bandoulière 6
Batterie au lithium 27
Bip sonore 3, 34

C, D

Capuchon d'objectif 7
Cartouche 31
Cartouche vidéo 31
Compteur de bande 7, 12
Contre-jour 17
Date 19, 25

E

END SEARCH 18, 22
Enregistrement photo 14

F, G

Fonction d'auto-diagnostic ... 35
Guide de dépannage 32

H, I, J, K, L

Heure 19, 25

M, N, O, P, Q

MACRO 15
Mode d'enregistrement 13
Montage 24
Pause de lecture 22
PHOTO SCAN 21, 22
Prise de vue 12

R

Raccordement 23
Recharge de la batterie 11
Réglage de l'horloge 25
Rembobinage 22

S, T, U

Sources d'alimentation 8, 10
Utilisation d'un pied
photographique 6, 15

V, W, X, Y, Z

Visionnage sur un écran de
télévision 23
Zoom 15

Willkommen!

Herzlichen Glückwunsch zum Kauf dieses Camcorders von Sony! Mit diesem Camcorder können Sie die schönsten Augenblicke im Leben in optimaler Bild- und Tonqualität festhalten.

ACHTUNG

Um Feuergefahr und die Gefahr eines elektrischen Schlags zu vermeiden, setzen Sie das Gerät weder Regen noch sonstiger Feuchtigkeit aus.

Um einen elektrischen Schlag zu vermeiden, öffnen Sie das Gehäuse nicht. Überlassen Sie Wartungsarbeiten stets nur qualifiziertem Fachpersonal.

Inhalt

Hinweise und Sicherheitsmaßnahmen	3		
Lage und Funktion der Teile und Bedienelemente	5		
<hr/>		Weitere Informationen	25
Vorbereitungen	8	Neueinstellen von Datum und Uhrzeit	25
Einlegen der Batterien/des Akkus	8	Tips zur Verwendung der Batterien/des Akkus	27
Netzstrom	10	Sicherheitsmaßnahmen	30
Laden des Akkus	11	Störungsbehebung	32
<hr/>		Warnanzeigen	34
Aufnehmen	12	Selbstdiagnoseanzeige	35
Aufnehmen mit der Kamera	12	Aufnehmen mit dem Camcorder im Ausland	36
Fotoaufnahmen	14	Technische Daten	37
Weitere Funktionen	15	Index	38
<hr/>			
Wiedergabe	20		
Wiedergabe	20		
Wiedergeben auf einem Fernsehschirm	23		
<hr/>			
Schneiden	24		
Überspielen auf eine andere Kassette	24		

Hinweise und Sicherheitsmaßnahmen

Lesen Sie diese Anleitung vor Inbetriebnahme des Geräts bitte genau durch, und bewahren Sie sie zum späteren Nachschlagen sorgfältig auf.

Hinweise zum Aufnahmesystem

- Bild und Ton werden auf der Video-Cartridge für diesen Camcorder aufgezeichnet.
- Die Video-Cartridge für diesen Camcorder ist bereits eingelegt. Sie können ausschließlich die Video-Cartridge VD-CR1 verwenden.
- Auf der Video-Cartridge können Sie Kameraaufnahmen von etwa 30 Minuten Länge und etwa 350 Standbilder mit einer Länge von je ca. 5 Sekunden aufzeichnen.
- Es empfiehlt sich, die aufgenommenen Bilder zum Aufbewahren auf eine andere Kassette zu überspielen.

Konventionen in dieser Anleitung

In dieser Bedienungsanleitung sind Tasten und Einstellungen am Camcorder in Großbuchstaben dargestellt.

Beispiel: Drücken Sie START/STOP.

Ein Signalton ist zu hören, wenn eine Funktion aktiviert wird.

Hinweis zu den Farbfernsehsystemen

Die Farbfernsehsysteme unterscheiden sich von Land zu Land. Um Ihre Aufnahmen auf einem Fernsehschirm wiedergeben zu können, benötigen Sie ein PAL-Fernsehgerät.

Hinweis zum Copyright

Fernsehsendungen, Filme, Videoaufnahmen und anderes Material können urheberrechtlich geschützt sein. Das unberechtigte Aufzeichnen solchen Materials verstößt unter Umständen gegen die Bestimmungen des Urheberrechts.

Wenn es aufgrund einer Fehlfunktion des Camcorders, der Video-Cartridge etc. zu Störungen bei der Aufnahme oder Wiedergabe kommt, besteht kein Anspruch auf Schadenersatz für die nicht erfolgte oder beschädigte Aufnahme.

D

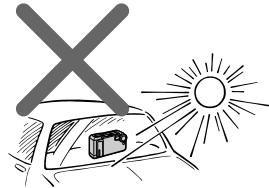
Sicherheitsmaßnahmen für den Umgang mit dem Camcorder

- Der LCD-Bildschirm wird in einer Hochpräzisionstechnologie hergestellt. Dennoch können schwarze Punkte und/oder helle Lichtpunkte (rot, blau oder grün) permanent auf dem LCD-Bildschirm zu sehen sein. Diese Punkte gehen auf das Herstellungsverfahren zurück und weisen nicht auf eine Fehlfunktion hin. Sie werden nicht auf dem Band aufgezeichnet. Der Anteil der effektiven Bildpunkte liegt bei über 99,99 %.
- Lassen Sie den Camcorder nicht naß werden. Schützen Sie ihn vor Regen oder Wasser. Andernfalls kann es zu Fehlfunktionen kommen, oder das Gerät kann irreparabel beschädigt werden [a].
- Setzen Sie den Camcorder nie Temperaturen von über 60 °C aus, wie sie z. B. in einem in der Sonne geparkten Auto oder im direkten Sonnenlicht auftreten können [b].
- Lassen Sie keinen Sand in den Camcorder gelangen. Wenn Sie den Camcorder an einem Sandstrand oder an einem staubigen Ort benutzen, schützen Sie ihn vor Sand und Staub. Andernfalls kann es zu Fehlfunktionen kommen, oder das Gerät kann irreparabel beschädigt werden.

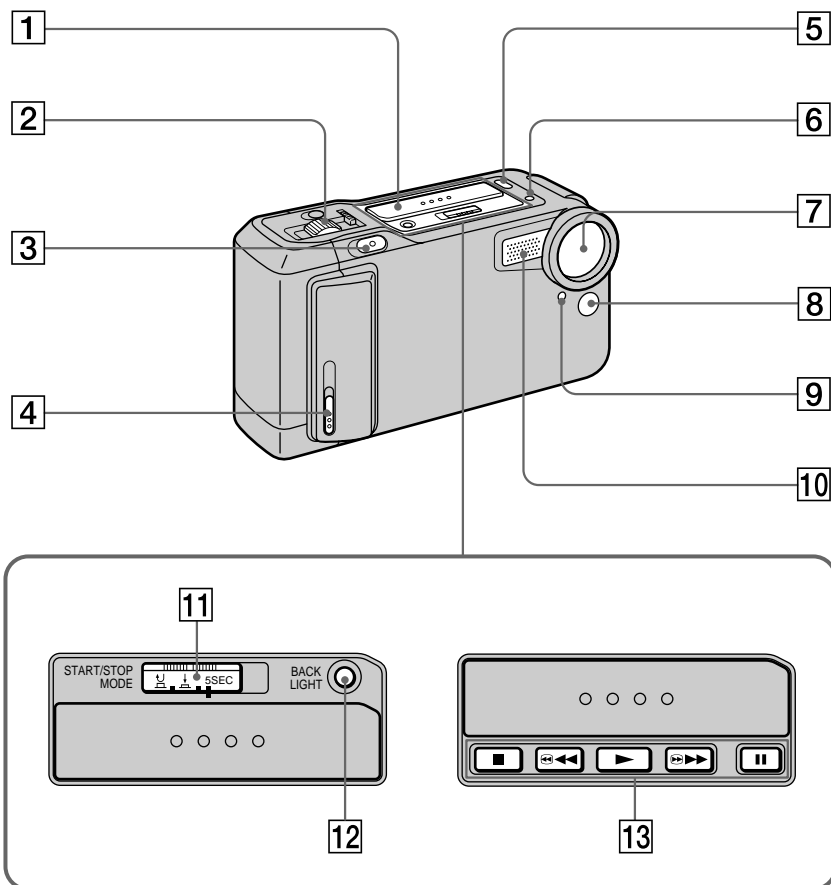
[a]



[b]

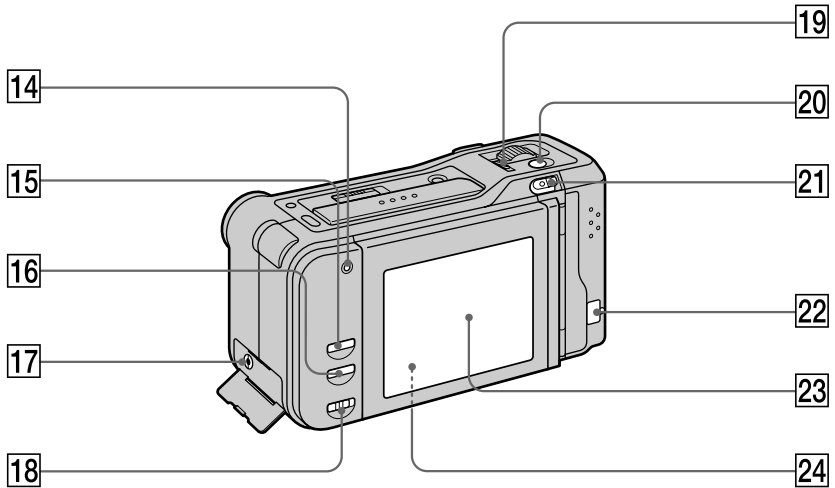


Lage und Funktion der Teile und Bedienelemente



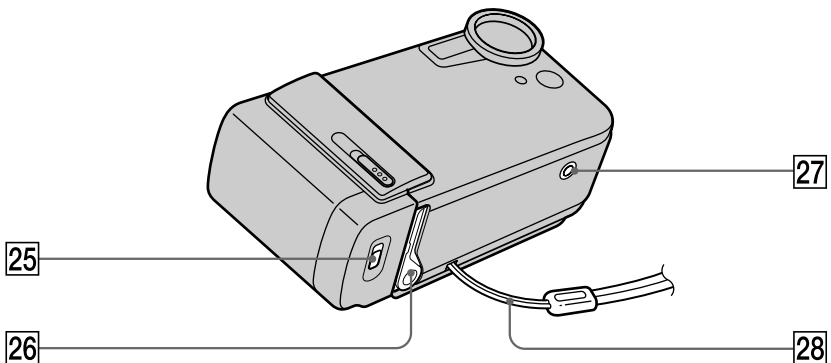
- | | |
|--|---|
| <p>1 Schiebeabdeckung (S. 20)</p> <p>2 Zoom-Hebel (S. 15)</p> <p>3 Taste START/STOP (S. 12)</p> <p>4 Löseknopf für Video-Cartridge-Fach (S. 31)</p> <p>5 Taste END SEARCH (S. 18, 22)</p> <p>6 Taste PHOTO SCAN (S. 21, 22)</p> <p>7 Objektiv</p> <p>8 Fernbedienungssensor
Sie können eine Fernbedienung benutzen, die mit anderen Camcordern oder Videorecordern von Sony mitgeliefert wird. Stellen Sie den</p> | <p>Befehlsmodus auf VTR 2. Informationen zum Befehlsmodus finden Sie in der mit dem Videorecorder gelieferten Bedienungsanleitung.</p> <p>9 Aufnahmeanzeige (S. 12, 14)</p> <p>10 Mikrofon</p> <p>11 Schalter START/STOP MODE (S. 13)</p> <p>12 Taste BACK LIGHT (S. 17)</p> <p>13 Videofunktionstasten (S. 22)</p> <ul style="list-style-type: none"> ■ STOP (Stop) ◀◀ REW (Zurückspulen) ▶▶ PLAY (Wiedergabe) ▶▶ FF (Vorwärtsspulen) PAUSE (Pause) |
|--|---|

Lage und Funktion der Teile und Bedienelemente



- 14 Aufnahmeanzeige (S. 12, 14)
- 15 Taste DATE (S. 19, 25)
- 16 Taste TIME (S. 19, 25)
- 17 Buchse A/V OUT (S. 23)
- 18 Schalter SPEAKER ON/OFF (S. 20)
- 19 Sperrschalter MACRO (S. 15)

- 20 Taste PHOTO (S. 14)
- 21 Schalter POWER ON/OFF (S. 12)
- 22 Kabelabdeckung (S. 10)
- 23 LCD-Bildschirm (S. 12, 14, 20)
- 24 Lautsprecher (S. 20)

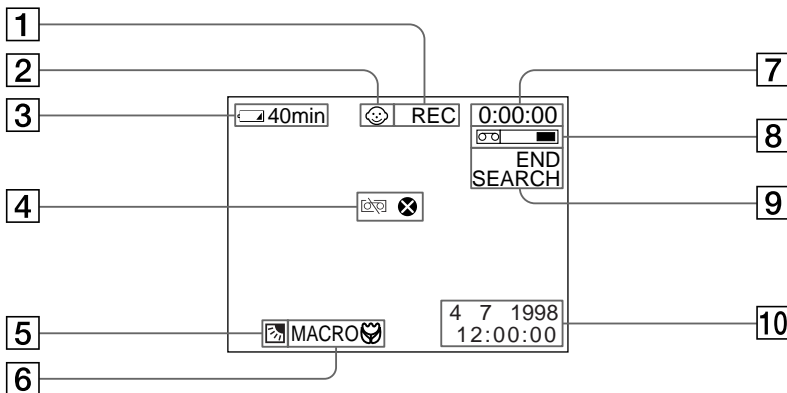



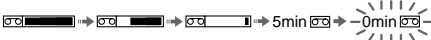
- 25 Lösehebel OPEN (BATT) (S. 8)
- 26 Hebel zum Auswerfen der Cartridge (S. 31)
- 27 Stativhalterung (S. 15)
Achten Sie bitte darauf, daß die Stativschraube kürzer ist als 6,5 mm.

Andernfalls können Sie den Camcorder nicht sicher am Stativ anbringen, und die Schraube könnte den Camcorder beschädigen.

- 28 Trageriemen
Der Trageriemen ist bereits am Camcorder angebracht.

Betriebsanzeigen

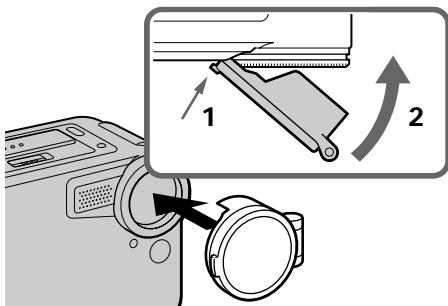


- 1** Videofunktionsmodus (S. 22)
- 2** Anzeige für Spiegelmodus (S. 16)
- 3** Restladungsanzeige

- 4** Warnanzeigen (S. 34)
- 5** Gegenlichtanzeige (S. 17)
- 6** Anzeige MACRO (S. 15)
- 7** Bandzähler (S. 12)/
Selbstdiagnosefunktionsanzeige (S. 35)/Anzeige für Modus 5SEC (S. 13)/
Fotoaufnahmeanzeige (S. 14)
- 8** Bandrestanzeige

- 9** Anzeige END SEARCH (S. 18, 22)/
Anzeige PHOTO SCAN (S. 21, 22)
- 10** Datums- und Uhrzeitanzeige (S. 19, 25)

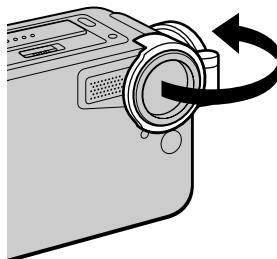
Anbringen der Objektivschutzkappe

Bringen Sie die mitgelieferte Objektivschutzkappe am Objektiv an.

- (1) Setzen Sie die Kante der Objektivschutzkappe an der Vertiefung an.
- (2) Drücken Sie auf die Objektivschutzkappe, bis sie mit einem Klicken einrastet.



Klappen Sie zum Aufnehmen die Objektivschutzkappe auf.

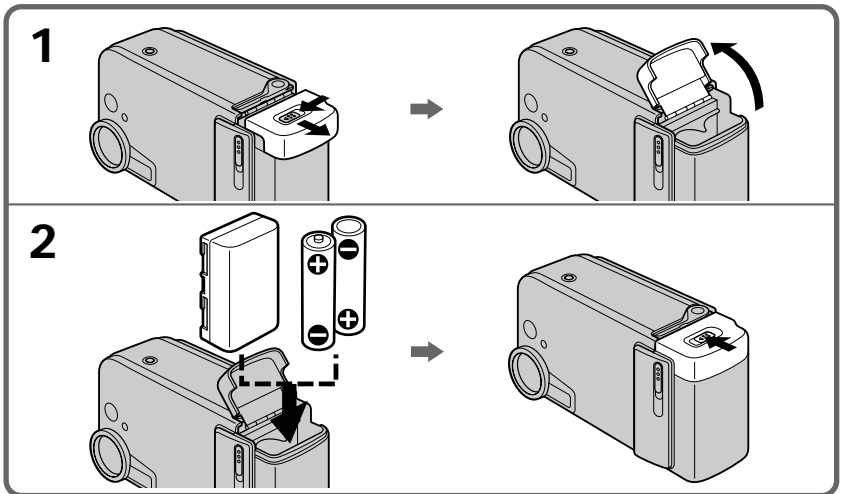


Einlegen der Batterien/des Akkus

Bevor Sie Ihren Camcorder benutzen können, müssen Sie zunächst zwei LR6-Batterien (Größe AA) von Sony oder einen geladenen Akku einlegen. Verwenden Sie die mitgelieferten LR6-Batterien (Größe AA) von Sony oder den "InfoLITHIUM"-Akku NP-F10. Wenn Sie die Batterien/den Akku einlegen oder herausnehmen, schalten Sie unbedingt den Camcorder aus, um Fehlfunktionen zu vermeiden.

Sie können das Gerät auch an den Netzstrom anschließen (S. 10).

- (1) Zum Öffnen des Batterie-/Akkufachdeckels schieben Sie den Lösehebel OPEN (BATT) an der Unterseite des Camcorders nach links und dann auf sich zu. Lassen Sie den Hebel anschließend los.
- (2) Legen Sie zwei LR6-Batterien (Größe AA) oder den Akku in Pfeilrichtung ein. Schließen Sie den Deckel, und schieben Sie ihn nach hinten, bis er mit einem Klicken einrastet.



Hinweise zu LR6-Batterien (Größe AA)

- Achten Sie darauf, die beiden LR6-Batterien (Größe AA) polaritätsrichtig einzulegen.
- In einer kalten Umgebung können Sie keine LR6-Batterien (Größe AA) verwenden. Verwenden Sie in diesem Fall den Akku NP-F10.

Lebensdauer/Betriebsdauer der Batterien/Akkus

Wenn Sie die beiden LR6-Batterien (Größe AA) von Sony oder den Akku NP-F10 verwenden:

Akku/Batterie	LR6-Batterien (Größe AA)	NP-F10
Dauer bei ununterbrochener Aufnahme*	60 Minuten	90 (80) Minuten
Dauer bei normaler Aufnahme**	30 Minuten	50 (45) Minuten
Dauer bei Wiedergabe auf LCD-Bildschirm	60 Minuten	90 (80) Minuten

Die Zahlen in Klammern geben beim NP-F10 die Betriebsdauer für einen normal geladenen Akku an.

* Ungefähre Dauer bei ununterbrochener Aufnahme und 25 °C. Die Betriebsdauer der Batterien/des Akkus verkürzt sich, wenn Sie den Camcorder in einer kalten Umgebung benutzen.

** Ungefähre Dauer in Minuten, wenn Sie beim Aufnehmen die Aufnahme wiederholt starten/stoppen und das Gerät ein- und ausschalten. Die tatsächliche Betriebsdauer der Batterien/des Akkus ist unter Umständen kürzer.

Download from www.Somanuals.com. All Manuals Search And Download.

Hinweis zur Restladungsanzeige während der Aufnahme

Wenn Sie das Gerät mit dem "InfoLITHIUM"-Akku betreiben, wird die verbleibende Betriebsdauer des Akkus auf dem LCD-Bildschirm angezeigt. Je nach Betriebsbedingungen usw. wird die Restladung jedoch möglicherweise nicht ganz korrekt angezeigt.

So nehmen Sie die Batterien/den Akku heraus

Öffnen Sie den Deckel des Batterie-/Akkufachs, und nehmen Sie die Batterien/den Akku heraus.

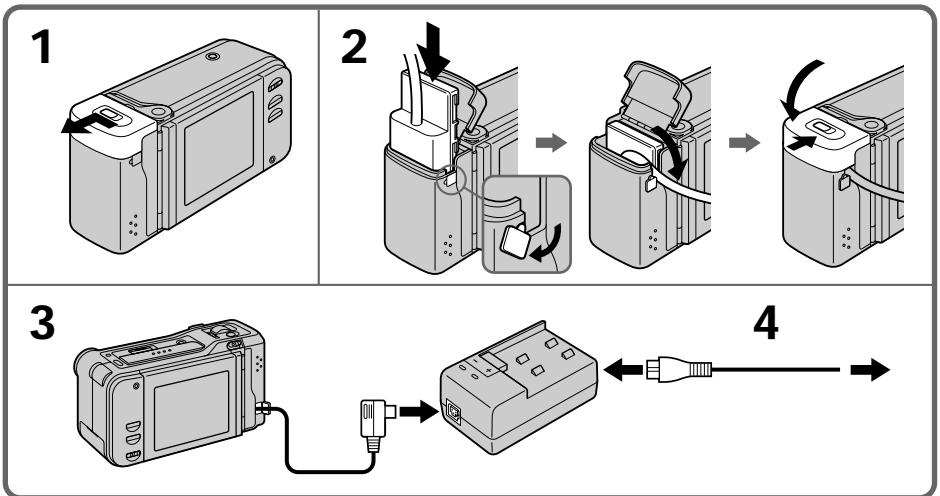
Hinweis zum Herausnehmen der Batterien/des Akkus

Drehen Sie den Camcorder immer mit der Unterseite nach oben, so daß die Batterien/der Akku beim Öffnen des Deckels nicht herausfallen.

Netzstrom

Wenn Sie den akkuförmigen Teil des Verbindungskabels einsetzen oder herausnehmen, schalten Sie unbedingt den Camcorder aus, um Fehlfunktionen zu vermeiden.

- (1) Zum Öffnen des Batterie-/Akkufachdeckels schieben Sie den Lösehebel OPEN (BATT) an der Unterseite des Camcorders nach links und dann auf sich zu. Lassen Sie den Hebel anschließend los.
- (2) Setzen Sie den akkuförmigen Teil des Gleichstrom-Verbindungskabels in Pfeilrichtung ein. Öffnen Sie die Kabelabdeckung, und führen Sie das Kabel hindurch. Schließen Sie den Deckel, und schieben Sie ihn nach hinten, bis er mit einem Klicken einrastet.
- (3) Schließen Sie das Gleichstrom-Verbindungskabel an das Netzteil/Ladegerät an.
- (4) Schließen Sie das Netzkabel an das Netzteil/Ladegerät und an eine Netzsteckdose an.



ACHTUNG

Das Netzkabel darf nur von qualifiziertem Kundendienstpersonal ausgetauscht werden.

Hinweis

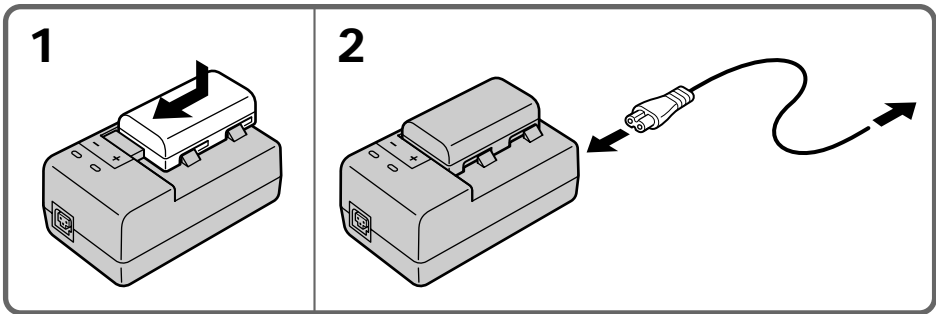
Halten Sie das Netzteil/Ladegerät vom Camcorder fern, falls die Bildqualität beeinträchtigt ist.

Laden des Akkus

Laden Sie den Akku auf einer ebenen Oberfläche, die vor Vibrationen geschützt ist. Der mitgelieferte Akku NP-F10 ist werkseitig nur wenig geladen. Verwenden Sie zum Laden des Akkus das mitgelieferte Netzteil/Ladegerät AC-VF10.

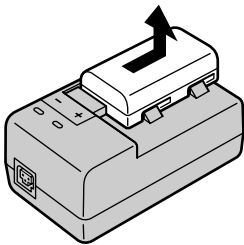
- (1) Setzen Sie den Akku ein, und schieben Sie ihn in Pfeilrichtung.
- (2) Schließen Sie das Netzkabel an das Netzteil/Ladegerät und an eine Netzsteckdose an. Die Anzeige CHARGE (orange) leuchtet auf. Der Ladevorgang beginnt.

Wenn die Anzeige CHARGE erlischt, ist der **normale Ladevorgang** beendet. Sie können den Akku jedoch auch **vollständig aufladen**. Dadurch verlängert sich seine Betriebsdauer. Um eine vollständige Ladung zu erzielen, müssen Sie den Akku über das normale Laden hinaus noch etwa eine weitere Stunde lang mit diesem Gerät aufladen.



So nehmen Sie den Akku heraus

Schieben Sie den Akku in Pfeilrichtung.



Ladedauer

Beim Akku NP-F10:

Ladedauer*	145 (85) Minuten
------------	------------------

Die Zahl in Klammern gibt an, wie lange Sie den Akku laden müssen, um eine normale Ladung zu erzielen.

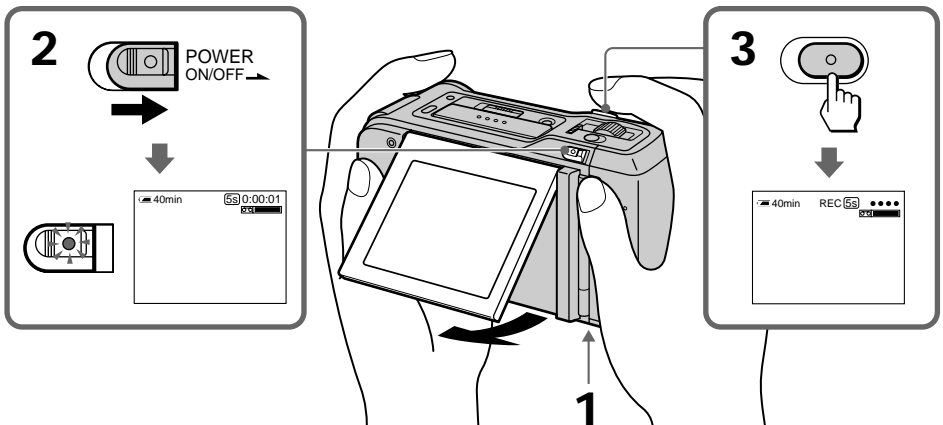
* Ungefähre Dauer in Minuten zum Laden eines leeren Akkus mit dem mitgelieferten Ladegerät. Niedrigere Temperaturen erfordern eine längere Ladedauer.

Aufnehmen mit der Kamera

Wenn Sie ein sehr wichtiges Ereignis aufnehmen wollen, empfiehlt es sich, im voraus anhand einer Probeaufnahme zu überprüfen, ob der Camcorder korrekt arbeitet.

- (1) Überprüfen Sie, ob der Videorecorder an eine Stromquelle angeschlossen ist (S. 8, 10).
- (2) Halten Sie die kleine Taste am Schalter POWER gedrückt, und schieben Sie diesen in Pfeilrichtung. Die kleine Taste leuchtet grün auf.
- (3) Drücken Sie START/STOP. Der Camcorder nimmt etwa 5 Sekunden lang auf und stoppt dann. Der Bandzähler wird ausgeblendet, und fünf Punkte sind zu sehen. Die Punkte werden einer pro Sekunde nacheinander ausgeblendet. Die rote Anzeige leuchtet auf.

Wenn Sie die Aufnahmedauer im 5-Sekunden-Modus verlängern wollen, drücken Sie erneut START/STOP, bevor alle Punkte ausgeblendet werden. Die Aufnahme wird von dem Moment ab, in dem Sie START/STOP drücken, für etwa 5 Sekunden fortgesetzt.



Einstellen des Winkels des LCD-Bildschirmträgers

Stellen Sie den LCD-Bildschirmträger auf den gewünschten Winkel ein.

Hinweis

Um die Batterien/den Akku und das Band zu schonen, schaltet sich das Gerät automatisch aus, wenn eine Video-Cartridge eingelegt und das Gerät eingeschaltet ist und Sie den Camcorder 5 Minuten lang nicht bedienen. Zum Starten der Aufnahme schalten Sie erneut das Gerät ein und drücken START/STOP.

Auswählen des START/STOP-Modus

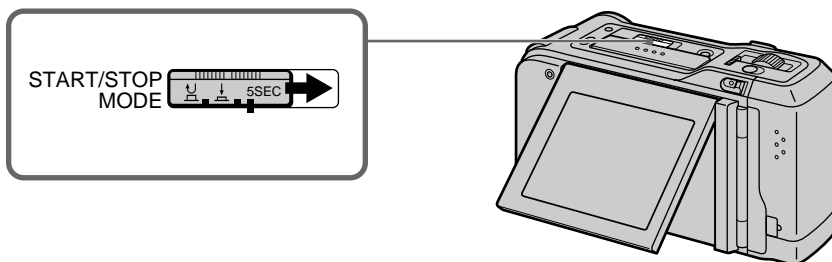
Der Camcorder verfügt über drei Aufnahmemodi. Mit diesen können Sie eine Reihe kurzer Aufnahmen machen, die ein lebendigeres Video ergeben.

Stellen Sie START/STOP MODE auf den gewünschten Modus ein.

5SEC: Wenn Sie START/STOP drücken, nimmt der Camcorder etwa 5 Sekunden lang auf und beendet dann die Aufnahme automatisch (werkseitige Einstellung).


ANTI GROUND SHOOTING  : Der Camcorder nimmt nur auf, solange Sie START/STOP gedrückt halten. Dadurch vermeiden Sie, daß unnötige Szenen aufgenommen werden.

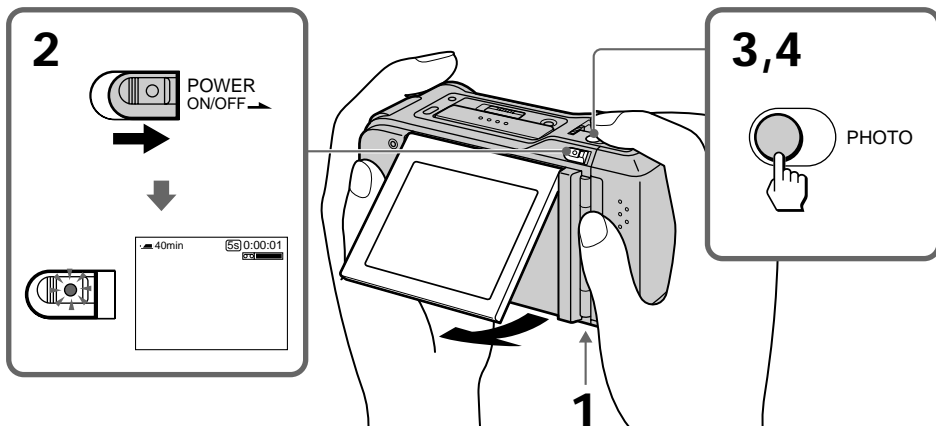
 : Wenn Sie START/STOP drücken, startet der Camcorder die Aufnahme. Wenn Sie die Taste nochmals drücken, stoppt der Camcorder die Aufnahme.



Fotoaufnahmen

Sie können eine etwa fünf Sekunden lange Standbildaufnahme machen, zum Beispiel von einem Foto. Fotoaufnahmen können Sie beispielsweise einsetzen, wenn Sie ein Standbild in Ihrem Videofilm wiedergeben oder ein Bild über einen Videodrucker ausdrucken wollen.

- (1) Überprüfen Sie, ob der Videorecorder an eine Stromquelle angeschlossen ist (S. 8, 10).
- (2) Halten Sie die kleine Taste am Schalter POWER gedrückt, und schieben Sie diesen in Pfeilrichtung. Die kleine Taste leuchtet grün auf.
- (3) Halten Sie PHOTO leicht gedrückt, bis ein Standbild und “ CAPTURE” auf dem LCD-Bildschirm erscheinen. Soll ein anderes Standbild aufgezeichnet werden, lassen Sie PHOTO zunächst los. Wählen Sie ein anderes Standbild aus, und halten Sie PHOTO erneut leicht gedrückt.
- (4) Drücken Sie PHOTO fester. Das Standbild auf dem LCD-Bildschirm wird etwa fünf Sekunden lang aufgezeichnet. Der Bandzähler wird ausgeblendet, und fünf Punkte sind zu sehen. Die Punkte werden einer pro Sekunde nacheinander ausgeblendet. Die rote Anzeige leuchtet auf. Der Ton wird in diesen fünf Sekunden ebenfalls aufgezeichnet.



Einstellen des Winkels des LCD-Bildschirmträgers

Stellen Sie den LCD-Bildschirmträger auf den gewünschten Winkel ein.

So vermeiden Sie Erschütterungen der Kamera

Beim Aufnehmen eines Standbildes ist die leichteste Kamerabewegung zu sehen. Um Erschütterungen zu vermeiden, halten Sie den Camcorder ruhig, oder verwenden Sie ein Stativ.

Weitere Funktionen

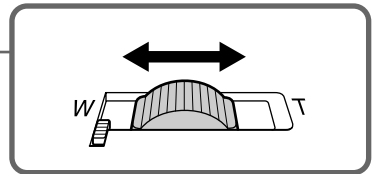
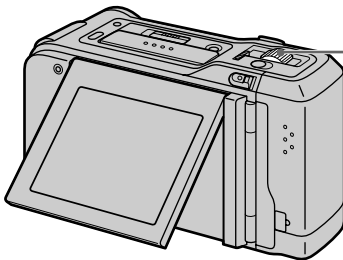
Der Zoom

Der Zoom ist eine Aufnahmetechnik, mit der Sie die Größe eines Objekts in einer Aufnahme verändern können.

Setzen Sie den Zoom sparsam ein. Andernfalls wirken Ihre Aufnahmen leicht unprofessionell.

“T”-Seite: Telebereich (Objekt erscheint näher)

“W”-Seite: Weitwinkelbereich (Objekt erscheint weiter entfernt)



Aufnehmen


Wenn Sie ein Objekt mit dem Telephoto-Zoom aufnehmen

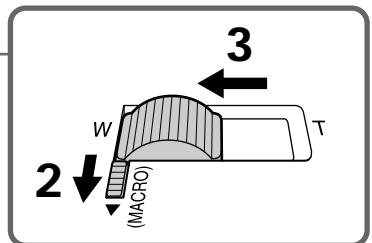
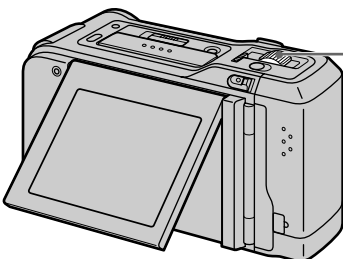
Wenn Sie den Zoom auf extreme Telephotoposition gestellt haben und das Bild nicht scharfstellen können, verschieben Sie den Zoom-Hebel in Richtung der “W”-Seite, bis das Bild scharf ist. In der Telephotoposition muß das Objekt mindestens 140 cm von der Objektivoberfläche entfernt sein, in der Weitwinkelposition ca. 40 cm. Wenn Sie ein Objekt aufnehmen, das weniger als ca. 40 cm entfernt ist, empfiehlt es sich, im Makromodus aufzunehmen.

Aufnehmen eines nahen Objekts - Makromodus

Auch kleine Objekte, wie z. B. Blumen, Insekten und Motive auf Fotografien, können im Makromodus den ganzen Bildschirm füllen. Sie können im Makromodus ein Motiv aufnehmen, das mindestens etwa 10 cm von der Objektivoberfläche entfernt ist.

Es empfiehlt sich, beim Aufnehmen im Makromodus ein Stativ zu verwenden.

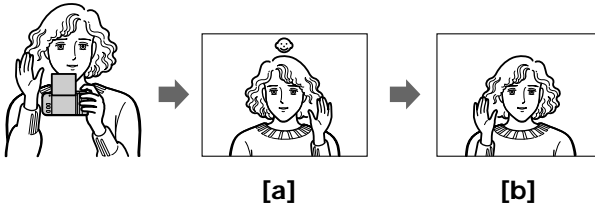
- (1) Halten Sie den Camcorder so nahe wie nötig an das Objekt, um die gewünschte Motivgröße zu erzielen.
- (2) Schieben Sie den Sperrschalter MACRO in Pfeilrichtung.
- (3) Verschieben Sie den Zoom-Hebel in Richtung der “W”-Seite. Die Anzeige MACRO  erscheint auf dem LCD-Bildschirm.



Kontrollieren der Aufnahme durch die aufgenommene Person (Spiegelmodus)

Sie können den LCD-Bildschirmträger umdrehen, so daß die aufgenommene Person die Aufnahme kontrollieren kann.

- (1) Drehen Sie den LCD-Bildschirmträger vertikal nach oben. Die Anzeige (Spiegelmodus) erscheint, und Datum und Bandrestanzeige werden ausgeblendet. 😊
- (2) Starten Sie die Aufnahme.



[a] Bild auf dem LCD-Bildschirm.

[b] Aufgenommenes Bild.

So beenden Sie den Spiegelmodus


Drehen Sie den LCD-Bildschirmträger nach unten auf das Gehäuse des Camcorders zu.

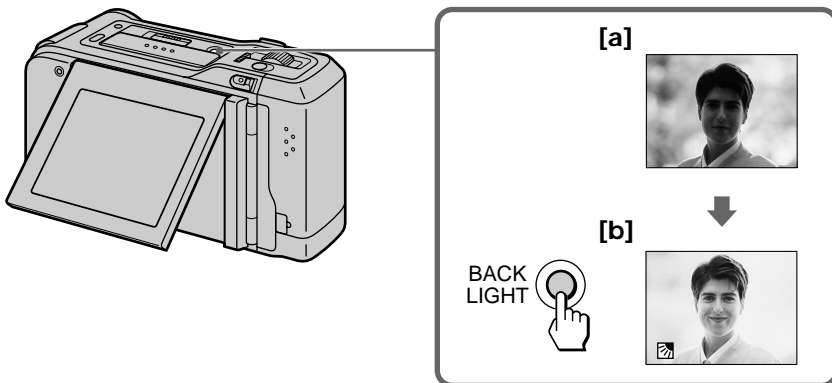
Hinweise zum Spiegelmodus

- Bei der Aufnahme im Spiegelmodus erscheint das Bild auf dem LCD-Bildschirm als Spiegelbild. Die Anzeige REC erscheint als ● Die anderen Anzeigen erscheinen im Spiegelmodus unter Umständen gar nicht.
- Bei der Aufnahme im Spiegelmodus stehen DATE und TIME nicht zur Verfügung.

Gegenlichtaufnahmen

Für den Fall, daß sich bei einer Aufnahme die Lichtquelle hinter dem Motiv befindet oder der Hintergrund sehr hell ist, steht die Funktion BACK LIGHT zur Verfügung.


Drücken Sie BACK LIGHT. Die Anzeige  erscheint auf dem LCD-Bildschirm.



[a] Motiv erscheint wegen des Gegenlichts zu dunkel.

[b] Motiv erscheint dank der Gegenlichtkompensation heller.

Nach der Aufnahme

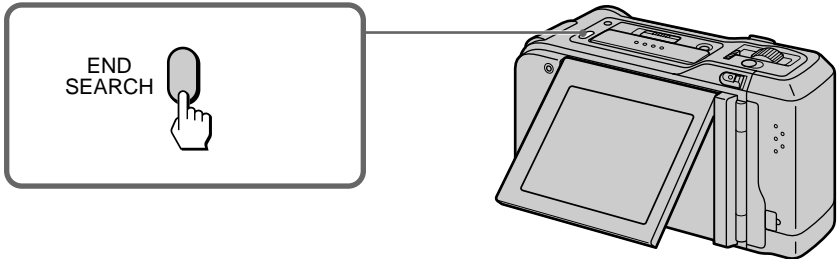
Vergessen Sie nicht, die Funktion BACK LIGHT nach der Aufnahme wieder auszuschalten, indem Sie nochmals die Taste BACK LIGHT drücken. Die Anzeige  wird ausgeblendet. Bei eingeschalteter Funktion BACK LIGHT würde die Aufnahme unter normalen Lichtverhältnissen zu hell.

Die Funktion BACK LIGHT empfiehlt sich auch in folgenden Fällen:

- Bei einer Lichtquelle sehr nahe beim Motiv oder bei einem Spiegel, der Licht reflektiert.
- Bei der Aufnahme eines weißen Motivs vor weißem Hintergrund. Sie können die Funktion BACK LIGHT auch benutzen, wenn Sie eine Person in glänzender Kleidung, zum Beispiel aus Seide oder Kunstfaser, aufnehmen. Andernfalls erscheint das Gesicht in der Regel zu dunkel.

Suchen nach dem Aufnahmeende

Drücken Sie im Stopmodus END SEARCH.
Das Band spult zurück bzw. vorwärts, und die letzten 5 Sekunden der Aufnahme werden wiedergegeben. Dann stoppt das Band am Aufnahmeende.

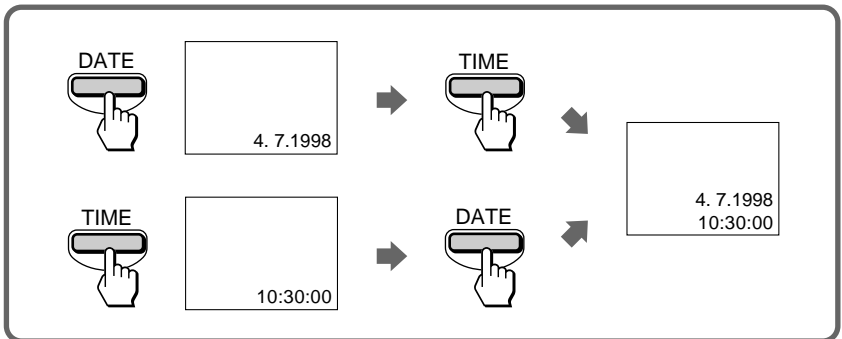
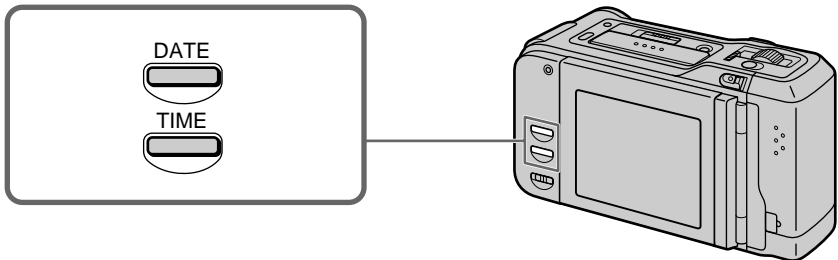


Wenn Sie die Aufnahme nach dem Betätigen von END SEARCH starten
Gelegentlicherfolgt der Übergang von der letzten aufgenommenen Szene zur nächsten
Szenenicht ganz störungsfrei.

Aufnehmen mit Datum/Uhrzeit

Drücken Sie vor dem Aufnahmestart oder beim Aufnehmen DATE und/oder TIME. Sie können Datum und/oder Uhrzeit auf dem LCD-Bildschirm zusammen mit dem Bild aufnehmen. Drücken Sie DATE (bzw. TIME) und dann TIME (bzw. DATE), um Datum und Uhrzeit zusammen anzeigen zu lassen. Außer der Datums- und/oder Uhrzeitanzeige wird keine Anzeige des LCD-Bildschirms auf dem Band aufgezeichnet. Die Uhr ist werkseitig auf die Uhrzeit von London (Modell für Großbritannien) bzw. auf die Uhrzeit von Paris (Modell für sonstige europäische Länder) eingestellt. Sie können die Uhrzeit neu einstellen (S. 25).

Drücken Sie vor dem Aufnahmestart oder beim Aufnehmen DATE und/oder TIME.



Hinweis zum Aufnehmen mit Datum und/oder Uhrzeit

Wenn Sie Datum und/oder Uhrzeit einmal aufgenommen haben, können Sie die Anzeige nicht mehr löschen.

So beenden Sie das Aufnehmen mit Datum und/oder Uhrzeit



Drücken Sie erneut DATE und/oder TIME. Die Datums- und/oder Uhrzeitanzeige wird ausgeblendet. Die Aufnahme wird fortgesetzt.

So beenden Sie das Aufnehmen

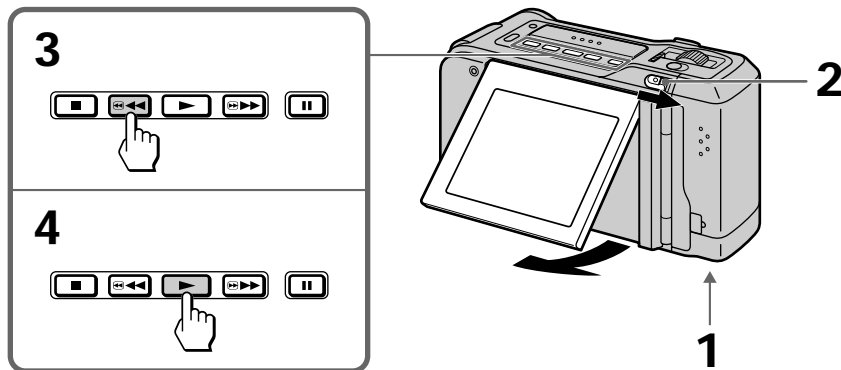
Halten Sie die kleine Taste am Schalter POWER gedrückt, und verschieben Sie diesen zum Ausschalten des Camcorders. Nehmen Sie die Batterien/ den Akku heraus. Es empfiehlt sich, den Camcorder auszuschalten, während Sie ihn nicht benutzen. Dadurch werden die Batterien/ der Akku geschont.

Wiedergabe

Sie können das Wiedergabebild auf dem LCD-Bildschirm anzeigen lassen.

- (1) Überprüfen Sie, ob der Videorecorder an eine Stromquelle angeschlossen ist (S. 8, 10).
- (2) Halten Sie die kleine Taste am Schalter POWER gedrückt, und schieben Sie diesen in Pfeilrichtung. Die kleine Taste leuchtet grün auf.
- (3) Spulen Sie das Band mit  zurück.
- (4) Starten Sie mit  die Wiedergabe.

Sie können das Bild auch auf einem Fernsehgerät anzeigen lassen, wenn Sie den Camcorder an ein Fernsehgerät oder an einen Videorecorder anschließen.



Einstellen des Winkels des LCD-Bildschirmträgers

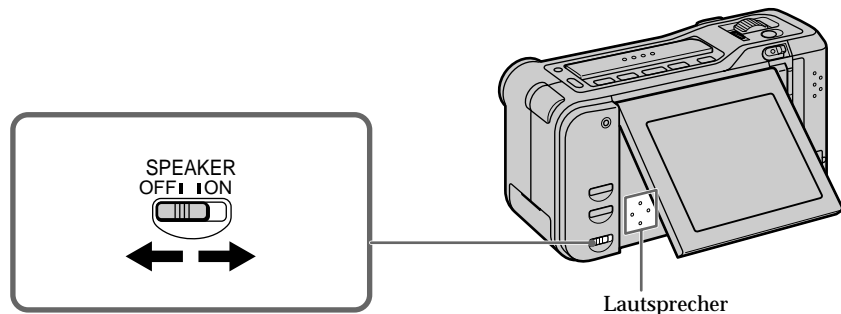
Stellen Sie den LCD-Bildschirmträger auf den gewünschten Winkel ein.

Wiedergabe im Dunkeln

Wenn Sie den Camcorder im Dunkeln benutzen, läßt sich das Bild auf dem LCD-Bildschirm mitunter nur schwer erkennen. Es empfiehlt sich, das Bild in einer helleren Umgebung auf dem LCD-Bildschirm wiedergeben zu lassen.

So schalten Sie den Lautsprecher aus

Stellen Sie den Schalter SPEAKER ON/OFF am Videorecorder auf OFF. Zum Einschalten des Lautsprechers stellen Sie den Schalter auf ON.

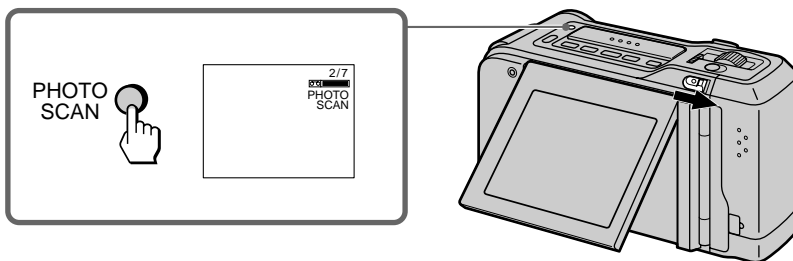


Suchen nach Standbildern

Sie können die Standbilder einzeln durchsuchen und jedes Bild automatisch 8 Sekunden lang anzeigen lassen (Photo Scan).

- (1) Überprüfen Sie, ob der Videorecorder an eine Stromquelle angeschlossen ist (S. 8, 10).
- (2) Halten Sie die kleine Taste am Schalter POWER gedrückt, und schieben Sie diesen in Pfeilrichtung. Die kleine Taste leuchtet grün auf.
- (3) Spulen Sie das Band mit **◀** an den Anfang zurück.
- (4) Drücken Sie im Stopmodus die Taste PHOTOSCAN.

Die Photo-Scan-Anzeige erscheint auf dem LCD-Bildschirm. Alle Standbilder werden automatisch etwa 8 Sekunden lang angezeigt. Die Nummer des angezeigten Bildes und die Gesamtzahl der Standbilder werden ebenfalls angezeigt.



So beenden Sie die Suche

Drücken Sie PHOTO SCAN oder **■**

Hinweise zu Photo Scan

- Der Ton ist stummgeschaltet.
- Der Camcorder startet die Suche an der Stelle, an der Sie PHOTO SCAN gedrückt haben.

Verschiedene Wiedergabemodi

So stoppen Sie die Wiedergabe

Drücken Sie ■

So können Sie ein Standbild anzeigen lassen (Wiedergabepause)

Drücken Sie während der Wiedergabe ■■ Wollen Sie die Wiedergabe fortsetzen, drücken Sie ■■ oder ►

So spulen Sie das Band vorwärts

Drücken Sie ► Zum Fortsetzen der Wiedergabe drücken Sie ►

So spulen Sie das Band zurück

Drücken Sie ◀ Zum Fortsetzen der Wiedergabe drücken Sie ►

So können Sie eine Szene suchen (Bildsuchlauf)

Halten Sie während der Wiedergabe ◀◀ oder ▶▶ gedrückt. Zum Zurückschalten in den normalen Wiedergabemodus lassen Sie die Taste los.

So können Sie beim Vorwärts- oder Zurückspulen die Aufnahme im Zeitraffer wiedergeben (Zeitraffer)

Halten Sie ◀ beim Zurückspulen oder ▶ beim Vorwärtsspulen des Bandes gedrückt. Wollen Sie wieder normal spulen, lassen Sie die Taste los. Zum Zurückschalten in den normalen Wiedergabemodus drücken Sie ►

So suchen Sie das Aufnahmeende (End Search)

Drücken Sie im Stopmodus END SEARCH. Das Band spult zurück bzw. vorwärts, und die letzten 5 Sekunden der Aufnahme werden wiedergegeben. Dann stoppt das Band am Aufnahmeende.

So suchen Sie nach Standbildern (Photo Scan)

Drücken Sie im Stopmodus die Taste PHOTO SCAN. Alle Standbilder werden automatisch etwa 8 Sekunden lang angezeigt. Dann stoppt das Band am Aufnahmeende.

Hinweise zur Wiedergabe

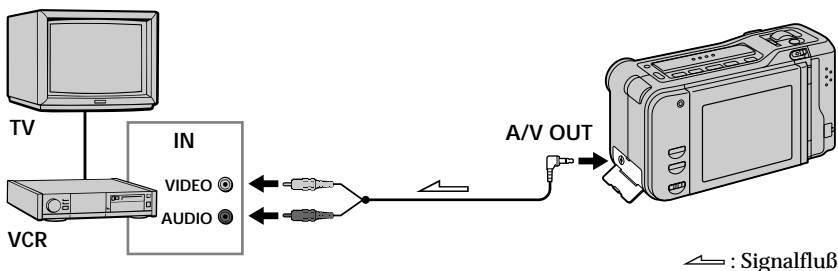
- In diesen speziellen Wiedergabemodi können folgende Phänomene auftreten:
 - Streifen erscheinen, und das Bild zittert.
 - Der Ton ist stummgeschaltet.
- Wenn sich der Camcorder 5 Minuten im Pausemodus befindet, schaltet er sich automatisch aus. Dadurch werden Batterien/Akku und Band geschont. Wenn Sie ein Standbild anzeigen lassen wollen, schalten Sie das Gerät wieder ein, und drücken Sie ■■ während der Wiedergabe.

Wiedergeben auf einem Fernsehschirm

Sie können den Camcorder an ein Fernsehgerät oder einen Videorecorder anschließen und Ihre Aufnahmen dann am Fernsehschirm wiedergeben lassen. Verwenden Sie das mitgelieferte A/V-Verbindungskabel. Wenn Sie den Camcorder für die Wiedergabe an ein Fernsehgerät anschließen, empfiehlt es sich, den Netzstrom als Stromquelle zu verwenden.

Direktanschluß an Fernsehgerät/Videorecorder mit Video-/Audioeingangsbuchsen

Öffnen Sie die Buchsenabdeckung. Schließen Sie den gelben Stecker des A/V-Verbindungskabels an den Videoeingang des Fernsehgeräts bzw. des Videorecorders an, der an das Fernsehgerät angeschlossen ist. Schließen Sie außerdem den schwarzen Stecker des A/V-Verbindungskabels an den Audioeingang des Fernsehgeräts bzw. des Videorecorders an, der an das Fernsehgerät angeschlossen ist. Stellen Sie den Wählschalter TV/VCR des Fernsehgeräts auf VCR. Wenn Sie den Camcorder an einen Videorecorder anschließen, stellen Sie den Eingangswählschalter des Videorecorders auf LINE.



Wenn Ihr Fernsehgerät oder Videorecorder ein Stereogerät ist
Schließen Sie nur den schwarzen Stecker für den Audiokanal L (links) am Fernsehgerät oder Videorecorder an. In diesem Fall wird der Ton auch bei einem Stereomodell monaural ausgegeben.

Wenn es zu einer akustischen Rückkopplung (Heulton) kommt
Stellen Sie den Camcorder weiter entfernt vom Fernsehgerät auf, oder drehen Sie die Lautstärke des Fernsehgeräts herunter.

Überspielen auf eine andere Kassette

Sie können die Aufnahmen archivieren und sogar Ihre eigenen Videofilme schneiden, indem Sie Ihre Aufnahmen mit Hilfe eines Videorecorders - **8** (8 mm), **Hi8** (Hi8), **VHS** (VHS), **S-VHS** (S-VHS), **VHS-C** (VHSC), **S-VHS-C** (S-VHSC), **B** (Betamax) oder **DV** (DV) - mit Video-/Audioeingängen auf eine andere Kassette überspielen.

Vor dem Überspielen

Schließen Sie den Camcorder über das mitgelieferte A/V-Verbindungskabel an den Videorecorder an.
Stellen Sie den Eingangswählschalter des Videorecorders, falls vorhanden, auf LINE.

Wenn Ihr Videorecorder ein Stereogerät ist

Schließen Sie nur den schwarzen Stecker für den Audiokanal L (links) am Videorecorder an. In diesem Fall wird der Ton auch bei einem Stereomodell monaural ausgegeben.

Überspielen

Schalten Sie den Lautsprecher des Camcorders während des Überspielens aus. Andernfalls kann das Bild verzerrt sein.

- (1) Legen Sie eine leere Kassette bzw. eine Kassette, die überspielt werden soll, in den Videorecorder ein.
- (2) Lassen Sie die Video-Cartridge mit Ihrer Aufnahme im Camcorder bis kurz vor der Stelle wiedergeben, ab der Sie überspielen wollen, und schalten Sie den Camcorder mit **II** in den Wiedergabepausemodus.
- (3) Suchen Sie auf der Kassette im Videorecorder die Stelle, ab der Sie aufnehmen wollen, und schalten Sie den Videorecorder in den Aufnahmepausemodus.
- (4) Drücken Sie zunächst **II** am Camcorder und nach ein paar Sekunden Videorecorder, wenn das Überspielen gestartet werden soll. **II** am

So überspielen Sie weitere Szenen

Gehen Sie wie in Schritt 2 bis 4 erläutert vor.

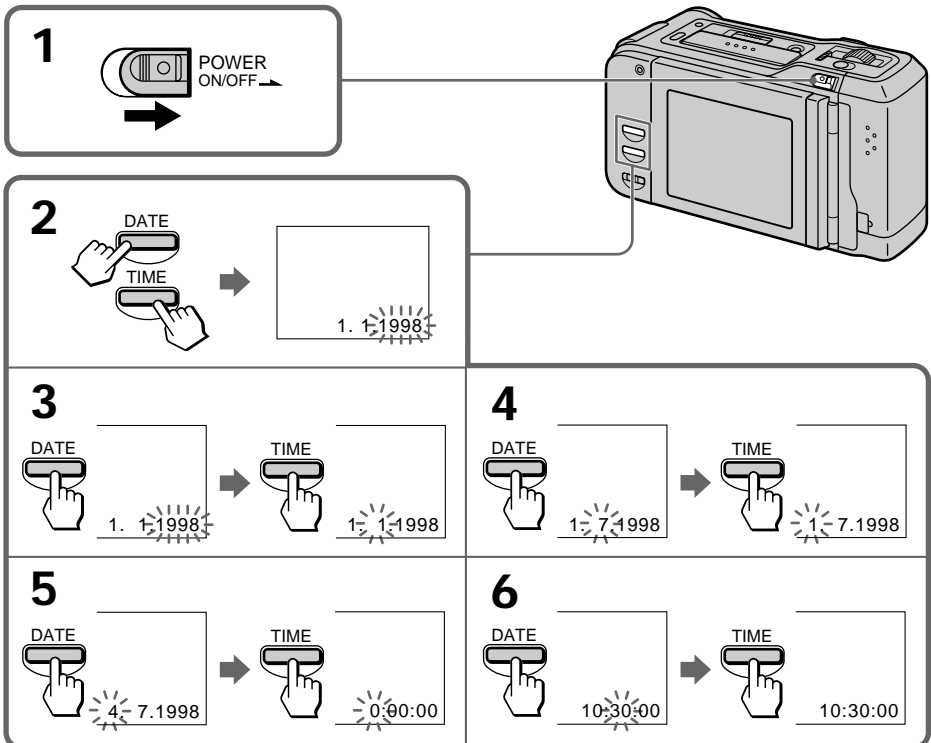
So beenden Sie das Überspielen

Drücken Sie am Camcorder und am Videorecorder **■**

Neueinstellen von Datum und Uhrzeit

Sie können das Datum und/oder die Uhrzeit zusammen mit dem Bild aufzeichnen. Datum und Uhrzeit sind werkseitig auf die Uhrzeit von London (Modell für Großbritannien) bzw. auf die Uhrzeit von Paris (Modell für sonstige europäische Länder) eingestellt. Stellen Sie die Uhrzeit gegebenenfalls auf die Uhrzeit in Ihrem Land ein.

- (1) Halten Sie die kleine Taste am Schalter POWER gedrückt, und schieben Sie diesen in Pfeilrichtung. Die kleine Taste leuchtet grün auf.
- (2) Halten Sie DATE und TIME gleichzeitig mehr als 2 Sekunden lang gedrückt, bis die Jahresangabe auf dem LCD-Bildschirm blinkt.
- (3) Stellen Sie das Jahr ein.
Stellen Sie die blinkende Jahresangabe mit DATE ein, und drücken Sie dann TIME.
- (4) Stellen Sie den Monat ein.
Stellen Sie die blinkende Monatsangabe mit DATE ein, und drücken Sie dann TIME.
- (5) Stellen Sie Tag und Stundengenauso ein wie Jahr und Monat.
- (6) Stellen Sie Minuten und Sekunden ein.
Stellen Sie die blinkende Minutenangabe mit DATE ein, und drücken Sie dann TIME. Die Uhr beginnt zu laufen.



Hinweis zum Lithium-Akku

Der Camcorder wird mit einem bereits installierten Lithium-Akku geliefert, mit dessen Hilfe Datum und Uhrzeit gespeichert bleiben, unabhängig davon, ob der Camcorder ein- oder ausgeschaltet ist. Der Lithium-Akku ist immer geladen, solange Sie den Camcorder regelmäßig benutzen. Er entlädt sich jedoch allmählich, wenn Sie den Camcorder nur selten benutzen. Nach etwa einem halben Jahr ist er vollständig entladen, wenn Sie den Camcorder in dieser Zeit lange nicht verwendet haben. Auch wenn der Lithium-Akku entladen ist, können Sie den Camcorder problemlos benutzen. Damit Datum und Uhrzeit gespeichert bleiben, laden Sie den Akku, wenn er sich entladen hat. Dazu stehen Ihnen zwei Möglichkeiten zur Verfügung:

- Schließen Sie den Camcorder mit dem mitgelieferten Netzteil/Ladegerät an das Stromnetz an, und lassen Sie ihn ausgeschaltet über 24 Stunden stehen.
- Legen Sie den normalen Akku vollständig geladen in den Camcorder ein, und lassen Sie den Camcorder ausgeschaltet über 24 Stunden stehen.

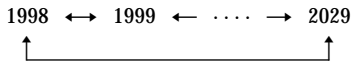
So lassen Sie das eingestellte Datum und die Uhrzeit anzeigen

Rufen Sie mit DATE die Datumsanzeige auf.

Rufen Sie mit TIME die Uhrzeitanzeige auf.

Wenn Sie dieselbe Taste nochmals drücken, erlischt die Anzeige.

Die Jahresanzeige wechselt folgendermaßen:



Hinweis zur Uhrzeitanzeige

Die Uhrzeit der internen Uhr dieses Camcorders wird im 24-Stunden-Format angezeigt.

Tips zur Verwendung der Batterien/des Akkus

In diesem Abschnitt erhalten Sie Informationen, wie Sie die Batterien/den Akku am besten nutzen können.

Vorbereiten von Batterien/Akkus

Nehmen Sie immer Ersatzbatterien/-akkus mit

Halten Sie genügend Batterien/Akkus für das 2- bis 3fache der geplanten Aufnahmedauer bereit.

Die Betriebsdauer von Akkus ist in einer kalten Umgebung kürzer

In einer kalten Umgebung können Sie keine LR6-Batterien (Größe AA) verwenden. Verwenden Sie in diesem Fall den Akku NP-F10.

Die Akkuleistung verringert sich, und der Akku entlädt sich schneller, wenn Sie in einer kalten Umgebung aufnehmen.

So können Sie Energie sparen


Schalten Sie den Camcorder aus, wenn Sie gerade nicht aufnehmen.

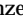
Ein ruhiger Übergang zwischen den Szenen ist möglich, auch wenn Sie die Aufnahme stoppen und erneut starten. Während Sie die Kamera auf das Motiv ausrichten, einen Winkel auswählen oder das Bild auf dem LCD-Bildschirm anzeigen lassen, wird dem Akku/den Batterien Strom entzogen.

Wann müssen die Batterien/der Akku ausgetauscht werden?

Während Sie den Camcorder benutzen, erkennen Sie an der Restladungsanzeige, wie die Batterie-/Akkuladung nach und nach aufgebraucht wird. Wenn Sie den "InfoLITHIUM"-Akku verwenden, wird die verbleibende Betriebsdauer (Restladung) in Minuten angezeigt.



Wenn auf der Restladungsanzeige zu sehen ist, daß die Batterien/der Akku leer sind, erscheint die Anzeige  auf dem LCD-Bildschirm und beginnt zu blinken.

Wenn die Anzeige  während des Aufnehmens nicht mehr langsam, sondern schnell blinkt, schalten Sie den Camcorder aus, und tauschen Sie den Akku oder die LR6-Batterien (Größe AA) aus. Nehmen Sie dabei die Video-Cartridge nicht aus dem Camcorder heraus, damit der Übergang von der letzten Szene zur nächsten störungsfrei ausfällt.

Hinweise zum "InfoLITHIUM"-Akku

Was ist ein "InfoLITHIUM"-Akku?

Dieser Camcorder arbeitet ausschließlich mit dem "InfoLITHIUM"-Akku (NP-F10). "InfoLITHIUM" ist ein Warenzeichen der Sony Corporation. Ein "InfoLITHIUM" ist ein Lithium-Ionen-Akku, der Informationen über seinen Ladezustand an kompatible Videogeräte übermitteln kann.

So können Sie die restliche Betriebsdauer genauer anzeigen lassen

Schalten Sie den Camcorder ein, und richten Sie ihn auf ein unbewegtes Objekt. Bewegen Sie ihn nun mindestens 30 Sekunden lang nicht.

Vorsicht

Setzen Sie den Akku nie Temperaturen über 60 °C aus, wie sie z. B. in einem in der Sonne geparkten Auto oder bei direkter Sonneneinstrahlung auftreten können.

Der Akku erwärmt sich

Beim Laden oder während der Aufnahme erwärmt sich der Akku aufgrund der erzeugten Energie und der chemischen Reaktionen im Akku. Dies ist keine Fehlfunktion.

Beachten Sie bitte folgende Hinweise:

- Halten Sie den Akku von Feuer fern.
- Schützen Sie den Akku vor Feuchtigkeit.
- Versuchen Sie nicht, den Akku zu öffnen oder zu zerlegen.
- Schützen Sie den Akku vor Stößen.

Die Lebensdauer des Akkus

Wenn die Akkuanzeige schnell blinkt, sobald Sie bei vollständig aufgeladenem Akku den Camcorder einschalten, müssen Sie den Akku durch einen neuen ersetzen und diesen zunächst vollständig aufladen.

Ladetemperatur

Sie sollten den Akku bei Temperaturen zwischen 10 °C und 30 °C laden. Niedrigere Temperaturen erfordern eine längere Ladedauer.

Hinweise zu LR6-Batterien (Größe AA)

Um mögliche Schäden durch auslaufende oder korrodierende Batterien zu vermeiden, beachten Sie bitte folgende Hinweise.

- Achten Sie darauf, die Batterien richtigerherum einzulegen.
- Trockenbatterien lassen sich nicht aufladen.
- Verwenden Sie neue Batterien nicht zusammen mit alten.
- Verwenden Sie keine unterschiedlichen Arten von Batterien zusammen.
- Die Batterien entladen sich langsam, wenn sie nicht benutzt werden.
- Verwenden Sie keine auslaufende Batterie.

Wenn eine Batterie ausgelaufen ist

- Wischen Sie das Batteriegehäuse sorgfältig trocken, bevor Sie die Batterien ersetzen.
- Wenn Sie mit der Batterieflüssigkeit in Berührung kommen, waschen Sie sie mit Wasser ab.
- Wenn Batterieflüssigkeit in die Augen gelangt, spülen Sie die Augen mit viel Wasser aus, und suchen Sie umgehend einen Arzt auf.

Hinweise zum Netzteil/Ladegerät

- Trennen Sie das Gerät von der Netzsteckdose, wenn Sie es längere Zeit nicht benutzen wollen. Um es vom Netzstrom zu trennen, ziehen Sie den Netzstecker aus der Netzsteckdose. Ziehen Sie dabei immer am Stecker, nie am Netzkabel selbst.
- Benutzen Sie das Gerät nicht, wenn das Netzkabel beschädigt ist oder wenn das Gerät beschädigt oder fallengelassen wurde.
- Knicken Sie das Netzkabel nicht, und legen Sie keine schweren Gegenstände darauf. Dadurch könnte das Netzkabel beschädigt werden, und es besteht die Gefahr eines Brandes oder eines elektrischen Schlags.
- Achten Sie darauf, daß keine Metallgegenstände mit den Metallteilen der Verbindungsplatte in Berührung kommen. Andernfalls kann es zu einem Kurzschluß kommen, und das Gerät könnte beschädigt werden.
- Halten Sie die Metallkontakte sauber.
- Zerlegen Sie das Gerät nicht.
- Setzen Sie das Gerät keinen mechanischen Erschütterungen aus, und lassen Sie es nicht fallen.
- Während Sie das Netzteil benutzen, insbesondere während des Ladens, halten Sie es von AM-Empfängern und Videogeräten fern. Andernfalls kann der AM-Empfang oder die Funktion der Videogeräte gestört werden.
- Das Gerät erwärmt sich während des Betriebs. Dabei handelt es sich nicht um eine Fehlfunktion.
- Stellen Sie das Gerät nicht an einen Ort, an dem es folgenden Bedingungen ausgesetzt ist:
 - extremen Temperaturen
 - Staub oder Schmutz
 - hoher Luftfeuchtigkeit
 - Vibrationen

Sollte am Gerät ein Problem auftreten, trennen Sie das Gerät von der Stromquelle, und wenden Sie sich an den autorisierten Sony-Kundendienst vor Ort.

Sicherheitsmaßnahmen

Camcorder

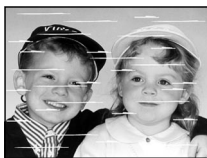
- Betreiben Sie den Camcorder mit LR6-Batterien der Größe AA (3,0 V), einem Akku (3,6 V) oder einem Netzteil/Ladegerät (4,2 V).
- Wenn Sie das Gerät am Netzstrom betreiben möchten, verwenden Sie das in dieser Anleitung empfohlene Zubehör.
- Sollten Fremdkörper oder Flüssigkeiten in das Gerät gelangen, trennen Sie es von der Netzsteckdose, und lassen Sie es von einem autorisierten Sony-Kundendienst vor Ort überprüfen, bevor Sie es wieder benutzen.
- Behandeln Sie den Camcorder pfleglich, und schützen Sie ihn vor Stößen. Bitte behandeln Sie das Objektiv mit besonderer Sorgfalt.
- Achten Sie darauf, daß das Gerät ausgeschaltet ist, wenn Sie den Camcorder nicht benutzen.
- Wickeln Sie den Camcorder während des Betriebs nicht in Tücher etc. ein. Dies könnte zu einem Wärmestau im Gerät führen.
- Halten Sie den Camcorder von starken Magnetfeldern oder mechanischen Vibrationen fern.
- Stoßen Sie nicht gegen den LCD-Bildschirm.
- Wenn Sie den Camcorder in einer kalten Umgebung benutzen, kann ein Störbild auf dem LCD-Bildschirm zu sehen sein. Dies ist keine Fehlfunktion.

Pflege des Camcorders

- Wenn Sie den Camcorder längere Zeit nicht benutzen wollen, spulen Sie das Band an den Anfang zurück, und nehmen Sie die Batterien/den Akku heraus. Schalten Sie ihn dann von Zeit zu Zeit ein, bedienen Sie die Kamera, und spielen Sie etwa 3 Minuten lang ein Band ab.
- Zum Entfernen von Fingerabdrücken oder Staub auf dem LCD-Bildschirm empfiehlt es sich, das LCD-Reinigungs-Kit (nicht mitgeliefert) zu verwenden.
- Entfernen Sie Staub auf dem Objektiv des Camcorders mit einem weichen Pinsel. Reinigen Sie das Objektiv mit einem weichen Tuch von Fingerabdrücken.
- Reinigen Sie das Gehäuse des Camcorders mit einem weichen, trockenen Tuch oder einem weichen Tuch, das Sie leicht mit einem milden Reinigungsmittel angefeuchtet haben. Verwenden Sie keine Lösungsmittel. Diese könnten die Oberfläche angreifen.

Hinweis zur Video-Cartridge


Auf der Video-Cartridge können Sie Kameraaufnahmen von etwa 30 Minuten Länge und etwa 350 Standbilder aufzeichnen. Wenn Sie mehrere Hundert Mal aufgenommen und zurückgespult haben, läßt die Qualität der Wiedergabebilder mehr und mehr nach. In diesem Fall sollte die Video-Cartridge gegen eine neue Video-Cartridge (nicht mitgeliefert) ausgetauscht werden. Weitere Informationen über diese Video-Cartridge erhalten Sie beim autorisierten Sony-Kundendienst vor Ort.

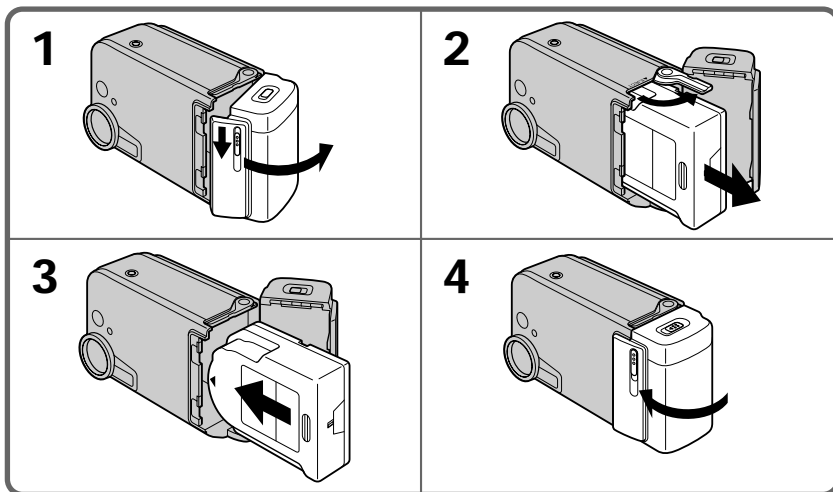


[a]  [b]

[a] Normal
[b] Unschärf

So wechseln Sie die Video-Cartridge

- (1) Zum Öffnen des Video-Cartridge-Fachsschieben Sie den Knopf in Pfeilrichtung.
- (2) Schieben Sie den Hebel zum Auswerfen der Video-Cartridge in Pfeilrichtung, und nehmen Sie die Video-Cartridge heraus.
- (3) Setzen Sie die neue Video-Cartridge mit der Markierung  nach vorne ein, bis sie mit einem Klick einrastet.
- (4) Schließen Sie den Deckel.

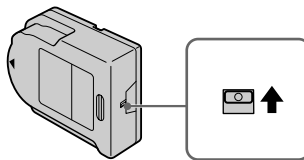


So vermeiden Sie Fehlfunktionen

Wenn Sie die Video-Cartridge einlegen oder herausnehmen, schalten Sie den Camcorder aus, um Fehlfunktionen zu vermeiden.

So verhindern Sie das versehentliche Löschen von Aufnahmen



Verschieben Sie die Überspielschutzlasche an der Video-Cartridge, so daß die rote Markierung zu sehen ist. Eine Aufnahme ist nun nicht mehr möglich. Wollen Sie eine auf diese Weise geschützte Video-Cartridge doch wieder überspielen, schieben Sie die Überspielschutzlasche wieder heraus, so daß die rote Markierung nicht mehr zu sehen ist.



Störungsbehebung

Wenn an Ihrem Camcorder Störungen auftreten, versuchen Sie bitte, diese anhand der folgenden Tabelle zu beheben. Sollte sich ein Problem nicht beheben lassen, lösen Sie das Gerät von der Stromquelle, und wenden Sie sich an den autorisierten Sony-Kundendienst vor Ort.

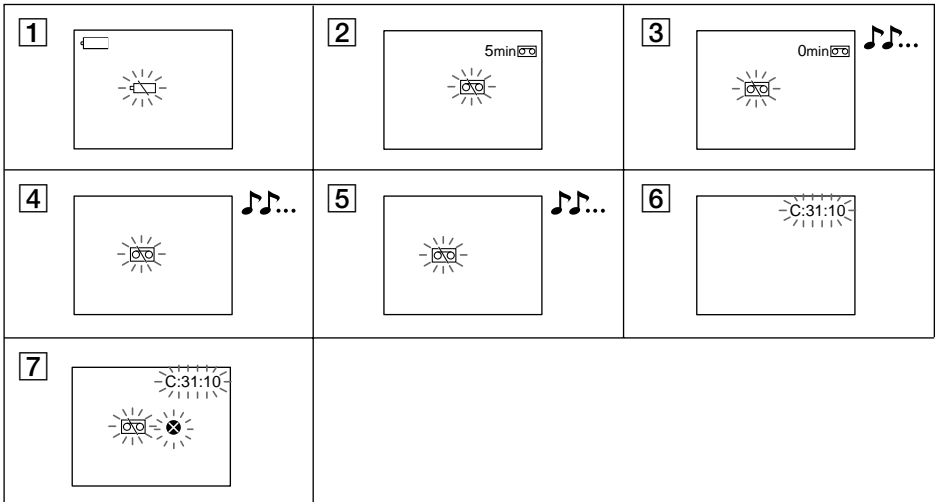
Camcorder

Symptom	Ursache und/oder Abhilfemaßnahmen
START/STOP funktioniert nicht.	<ul style="list-style-type: none">• Das Band ist zu Ende. → Spulen Sie das Band zurück (S. 20).• Die Überspielschutzlasche der Video-Cartridge wurde herausgeschoben. Die rote Markierung ist zu sehen. → Legen Sie eine andere Video-Cartridge ein, oder schieben Sie die Lasche zurück (S. 31).• Es ist keine Video-Cartridge eingelegt. → Legen Sie eine Video-Cartridge ein (S. 31).
Die Aufnahme stoppt nach ein paar Sekunden.	<ul style="list-style-type: none">• Der Schalter START/STOP MODE steht auf 5SEC oder . → Wenn Sie ohne Unterbrechung aufnehmen wollen, stellen Sie den Schalter auf  (S. 13).
Das Gerät schaltet sich aus.	<ul style="list-style-type: none">• Wenn der Camcorder eingeschaltet ist und über 5 Minuten lang nicht bedient wurde, schaltet er sich automatisch aus. Dadurch werden Batterien/Akku und Band geschont. → Verschieben Sie den Schalter POWER, um den Camcorder einzuschalten (S. 12).• Die LR6-Batterien (Größe AA) bzw. der Akku sind erschöpft/fast leer. → Legen Sie neue LR6-Batterien (Größe AA) oder einen geladenen Akku ein (S. 8).
Ein vertikaler Streifen erscheint, wenn Sie ein Objekt wie zum Beispiel eine Lichtquelle oder eine Kerzenflamme vor dunklem Hintergrund aufnehmen.	<ul style="list-style-type: none">• Der Kontrast zwischen Motiv und Hintergrund ist zu stark. Am Camcorder liegt keine Fehlfunktion vor. → Ändern Sie die Aufnahmebedingungen.
Ein vertikaler Streifen erscheint, wenn Sie ein sehr helles Objekt aufnehmen.	<ul style="list-style-type: none">• Am Camcorder liegt keine Fehlfunktion vor.
Das Band wird nicht transportiert, wenn Sie eine Videofunktionstaste drücken.	<ul style="list-style-type: none">• Das Band ist zu Ende. → Spulen Sie das Band zurück (S. 20).• Es ist keine Video-Cartridge eingelegt. → Legen Sie eine Video-Cartridge ein (S. 31).
Bei der Wiedergabe ist der Ton nicht zu hören.	<ul style="list-style-type: none">• Der Lautsprecher ist ausgeschaltet. → Stellen Sie den Lautsprecherschalter auf ON (S. 20).
Das Gerät läßt sich nicht einschalten.	<ul style="list-style-type: none">• Die LR6-Batterien (Größe AA) bzw. der Akku sind erschöpft/nicht eingelegt/fast leer. → Legen Sie neue LR6-Batterien (Größe AA) oder einen geladenen Akku ein (S. 8).• Die Batterien sind nicht polaritätsrichtig eingelegt. → Legen Sie die Batterien richtigerum ein (S. 8).• Das Netzkabel ist nicht an eine Netzsteckdose angeschlossen. → Schließen Sie das Netzkabel an eine Netzsteckdose an (S. 10).

Symptom	Ursache und/oder Abhilfemaßnahmen
Die LR6-Batterien (Größe AA) bzw. der Akku entladen sich schnell.	<ul style="list-style-type: none">• Die Umgebungstemperatur ist zu niedrig (S. 27).• Der Akku wurde nicht vollständig aufgeladen. → Laden Sie den Akku nochmals (S. 11).• Die LR6-Batterien (Größe AA) bzw. der Akku sind leer, und der Akku läßt sich nicht mehr aufladen. → Verwenden Sie neue LR6-Batterien (Größe AA) bzw. einen anderen Akku (S. 27).
Statt Datum oder Uhrzeit werden Striche (---:---:---) angezeigt.	<ul style="list-style-type: none">• Stellen Sie das Datum und die Uhrzeit neu ein (S. 25).
Der Signalton ist 5 Sekunden lang zu hören.	<ul style="list-style-type: none">• Im Camcorder liegt ein Fehler vor. → Schalten Sie den Camcorder einmal kurz aus und wieder ein. → Wechseln Sie die Stromquelle.
Es kommt zu einer akustischen Rückkopplung (Heulton).	<ul style="list-style-type: none">• Der Camcorder steht neben dem Fernsehgerät. → Entfernen Sie den Camcorder vom Fernsehgerät. → Drehen Sie die Lautstärke am Fernsehgerät herunter.

Warnanzeigen

Wenn Anzeigen auf dem LCD-Bildschirm blinken, überprüfen Sie bitte folgendes:
♪♪... : Der Signalton ist zu hören.



1 Akkurestladung

Blinkt langsam: Der Akku ist zu schwach.
Blinkt schnell: Der Akku ist leer.

2 Das Band ist fast zu Ende.

Die Anzeige blinkt langsam.

3 Das Band ist zu Ende.

Die Anzeige blinkt schneller.

4 Es ist keine Video-Cartridge eingelegt.

5 Die Überspielschutzlasche der Video-Cartridge wurde herausgeschoben.

Die rote Markierung ist zu sehen.

6 Die Selbstdiagnose läuft.

Dabei wird der Zustand des Camcorders anhand eines fünfstelligen Codes auf dem LCD-Bildschirm angezeigt. Der fünfstellige Code gibt den aktuellen Zustand des Camcorders an (S. 35).

Wenn die Anzeige nicht verschwindet, wenden Sie sich bitte an den autorisierten Sony-Kundendienst vor Ort.

7 Es liegt ein anderes Problem vor.

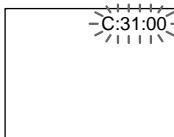
Schalten Sie den Camcorder aus, und nehmen Sie die LR6-Batterien (Größe AA) bzw. den Akku heraus. Legen Sie dann die LR6-Batterien (Größe AA) bzw. den Akku erneut ein, und schalten Sie den Camcorder wieder ein. Wenn die Anzeige nicht verschwindet, wenden Sie sich bitte an den autorisierten Sony-Kundendienst vor Ort.

Selbstdiagnoseanzeige

Der Camcorder verfügt über eine Selbstdiagnoseanzeige.

Damit wird der Zustand des Camcorders anhand eines fünfstelligen Codes (bestehend aus einem Buchstaben und Ziffern) auf dem LCD-Bildschirm angezeigt. Sehen Sie in diesem Fall in der folgenden Code-Tabelle nach. Der fünfstellige Code gibt den aktuellen Zustand des Camcorders an. Die letzten beiden Ziffern (angegeben durch □□) unterscheiden sich je nach den Betriebsbedingungen.

LCD-Bildschirm



Selbstdiagnoseanzeige

- C:□□:□□
Sie können das Problem selbst beheben.
- E:□□:□□
Wenden Sie sich bitte an den autorisierten Sony-Kundendienst vor Ort.

Fünfstelliger Code	Ursache und/oder Abhilfemaßnahmen
C:31:□□ C:32:□□	<ul style="list-style-type: none">• Eine oben nicht erwähnte, behebbare Funktionsstörung ist aufgetreten.<ul style="list-style-type: none">→ Schalten Sie den Camcorder einmal kurz aus und wieder ein, und benutzen Sie den Camcorder.→ Wechseln Sie die Stromquelle, und benutzen Sie dann den Camcorder.→ Lassen Sie den Camcorder etwa 1 Stunde lang stehen, bevor Sie ihn wieder benutzen.
E:61:□□ E:62:□□	<ul style="list-style-type: none">• Eine Funktionsstörung, die Sie nicht selbst beheben können, ist aufgetreten.<ul style="list-style-type: none">→ Wenden Sie sich an den autorisierten Sony-Kundendienst vor Ort, und teilen Sie diesem bitte den fünfstelligen Fehlercode mit (Beispiel: E:61:10).

Wenn sich das Problem nicht beheben läßt, wenden Sie sich bitte an den autorisierten Sony-Kundendienst vor Ort.

Aufnahmen mit dem Camcorder im Ausland

In den verschiedenen Ländern und Regionen gelten unterschiedliche Standards bei der Stromversorgung und unterschiedliche Farbfernsehsysteme. Wenn Sie Ihren Camcorder im Ausland einsetzen wollen, überprüfen Sie zuvor folgendes:

Stromquellen

Mit den beiden mitgelieferten LR6-Batterien (Größe AA), dem Akku oder dem mitgelieferten Netzteil (Stromversorgung mit 100 V bis 240 V Wechselstrom und 50/60 Hz) können Sie den Camcorder in allen Ländern und Regionen verwenden.

Die Farbfernsehsysteme der verschiedenen Länder

Dieser Camcorder ist ein PAL-Gerät. Wenn die Wiedergabe auf dem Bildschirm eines Fernsehgeräts erfolgen soll, muß es sich um ein PAL-Gerät handeln. Sie finden die Farbfernsehsysteme in der folgenden Liste.

Länder mit PAL-System

Australien, Belgien, China, Dänemark, Deutschland, Finnland, Großbritannien, Holland, Hongkong, Italien, Kuwait, Malaysia, Neuseeland, Norwegen, Österreich, Portugal, Schweden, Schweiz, Singapur, Slowakische Republik, Spanien, Thailand, Tschechische Republik usw.

Land mit PAL-M-System

Brasilien

Länder mit PAL-N-System

Argentinien, Paraguay, Uruguay

Länder mit NTSC-System

Bahamas, Bolivien, Chile, Ecuador, Jamaika, Japan, Kanada, Kolumbien, Korea, Mexiko, mittelamerikanische Länder, Peru, Philippinen, Surinam, Taiwan, USA, Venezuela usw.

Länder mit SECAM-System

Bulgarien, Frankreich, Guyana, Irak, Iran, Monaco, Polen, Rußland, Ukraine, Ungarn usw.

Technische Daten

Camcorder

System

Videoaufnahmesystem

Zwei rotierende Köpfe

FM-Schrägspurverfahren

Audioaufnahmesystem

Rotierende Köpfe, FM-System

Video signal

PAL-Farbsystem, CCIR-Standards

Aufnahme-/Wiedergabedauer

30 Min.

Vorspul-/Zurückspuldauer

ca. 2 Min.

Bildwandler

CCD (Charge Coupled Device)

Objektiv

Kombiniertes Motorzoom-

Objektiv

3fach (optisch)

Brennweite

3,4 - 10,2 mm

Dies entspräche bei einer 35-mm-

Kleinbildkamera einer Brennweite

von 33 - 99 mm.

F 2,8 - 3,9

Farbtemperatur

Automatisch

Mindestbeleuchtungsstärke*

6 lx (F 2,8)

Beleuchtungsbereich

6 bis 100.000 lx

Empfohlene Beleuchtungsstärke

Über 100 lx

Ausgänge

Video-/Audioausgang

AV-Minibuchse

Video: 75 Ohm, unsymmetrisch,

sync-negativ

Audio: 327 mV, (47 kOhm)

bei Ausgangsimpedanz weniger

als

2,2 kOhm

LCD-Bildschirm

Bild

Bildschirmdiagonale 2,5 Zoll

50,2 × 37,1 mm

Bildschirmanzei ge

Reflexionsverfahren

Gesamtzahl der Bildpunkte

61.380 (279 × 220)

Allgemeines

Betriebsspannung

3,0 V LR6-Batterien (Größe AA)

(2)

3,6 V Akku

4,2 V Netzteil/Ladegerät

Durchschnittliche

Leistungsaufnahme

(bei 2 LR6-Batterien (Größe AA))

Während der Kameraaufnahme:

2,0 W

Betriebstemperatur

0 °C bis 40 °C

Lagertemperatur

-20 °C bis +60 °C

Abmessungen

ca. 124,3 × 66,5 × 44,1 mm (B/H/T)

Gewicht

ca. 330 g

(einschließlich der Video-

Cartridge VD-CR1 (110 g), ohne

Batterien/Akku)

Beim Betrieb:

ca. 380 g

(einschließlich zweier LR6-

Batterien (Größe AA))

ca. 370 g

(einschließlich des Akkus NP-F10)

Mikrofon

monaural

Lautsprecher

Piezoelektrischer Lautsprecher

Mitgeliefertes Zubehör

Video-Cartridge VD-CR1

(1, bereits in den Camcorder

einggelegt)

LR6-Batterien der Größe AA (2)

Akku NP-F10 (1)

Netzteil/Ladegerät AC-VF10 (1)

Gleichstrom-Verbindungskabel

DK-115 (1)

Netz kabel (1)

A/V-Verbindungskabel (1)

Trageriemen (1, bereits am

Camcorder angebracht)

Objektivschutzkappe (1)

Tragetasche (1)

Netzteil/Ladegerät

Betriebsspannung

100 - 240 V Wechselstrom, 50/60

Hz

Ausgangsspannung

DC OUT:

4,2 V, 1,8 A bei Betrieb

4,2 V, 1,4 A beim Laden

Leistungsaufnahme

23 W

Betriebstemperatur

0 °C bis 40 °C

Lagertemperatur

-20 °C bis +60 °C

Abmessungen

ca. 85 × 49 × 39 mm (B/H/T) ohne

vorstehende Teile

Gewicht

ca. 280 g ohne Netzkabel

Kabellänge

Netzkabel: ca. 2 m

Verbindungskabel: ca. 2 m

Akku

Ausgangsspannung

3,6 V

Nennkapazität

3,6 Wh

Akku

Lithium-Ionen-Akku

Änderungen, die dem technischen

Fortschritt dienen, bleiben

vorbehalten.

Index

A

Anschlüsse 23
Aufnahmemodus 13

B

Bandzähler 7, 12

C

Cartridge 31

D

Datum 19, 25

E

END SEARCH 18, 22

F

Fotoaufnahmen 14

G

Gegenlicht 17

K

Kameraaufnahmen 12

L

Laden des Akkus 11
Lithium-Akku 27

M

MACRO 15

N

Netzstrom 10

O

Objektivschutzkappe 7

P

PHOTO SCAN 21, 22

S

Schneiden 24
Selbstdiagnoseanzeige 35
Signalton 3, 34
Stativ anbringen 6, 15
Störungsbehebung 32
Stromquellen 8, 10

T

Trageriemen 6

U

Uhr einstellen 25
Uhrzeit 19, 25

V

Video-Cartridge 31

W

Wiedergabepause 22
Wiedergeben auf einem
Fernsehschirm 23

Z

Zoom 15
Zurückspulen 22

Free Manuals Download Website

<http://myh66.com>

<http://usermanuals.us>

<http://www.somanuals.com>

<http://www.4manuals.cc>

<http://www.manual-lib.com>

<http://www.404manual.com>

<http://www.luxmanual.com>

<http://aubethermostatmanual.com>

Golf course search by state

<http://golfingnear.com>

Email search by domain

<http://emailbydomain.com>

Auto manuals search

<http://auto.somanuals.com>

TV manuals search

<http://tv.somanuals.com>