



Fusion & Futura Frames

For both Balanced & Conventional E-Studio & Logic E-Box

Instructions for Use and Installation

For use in GB, IE (Great Britain and Eire)

Fusion

Covering the following frames:
Fusion: Model number 8699 GP/IR

USER INSTRUCTIONS

1. CONTROLS ACCESS

To access the fire's controls with a Fusion Frame fitted:

- Use one of the decorative aeration holes to pull forward the control cover at the foot of the frame

Details of the controls (and **Replacing the Batteries**, if applicable) are given in the **User** section of the fire's **Instruction** manual.

2. CLEANING THE FRAME

Only clean the frame when it is cold.

The painted frame of the Fusion should be cleaned using a damp cloth and buffed with a lint free duster.

INSTALLATION INSTRUCTIONS

Covering Models 8699GP and 8699 IR

1. GENERAL

1.1 These instructions are supplemental to, and must be read in conjunction with, the **Installation Instructions (PR0741 for E-Studio & Logic E-Box Conventional Flue and the Balanced Flue version in PR0776)** supplied with the fire.

1.2 Fitting of the Fusion frame must be carried out after the appliance has been fully installed and commissioning tests completed.

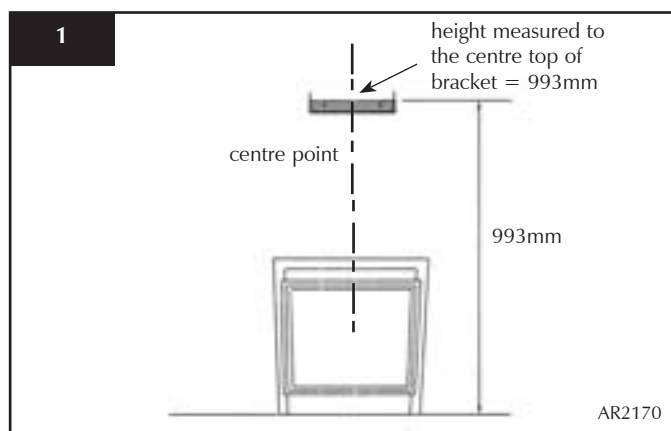
2. PREPARATION OF WALL FIXING FOR FUSION

The Fusion hooks onto a wall bracket (supplied).

- Centre the wall bracket above the fire and at the distance from the hearth, or base of appliance (if wall mounted), shown in Diagram 1

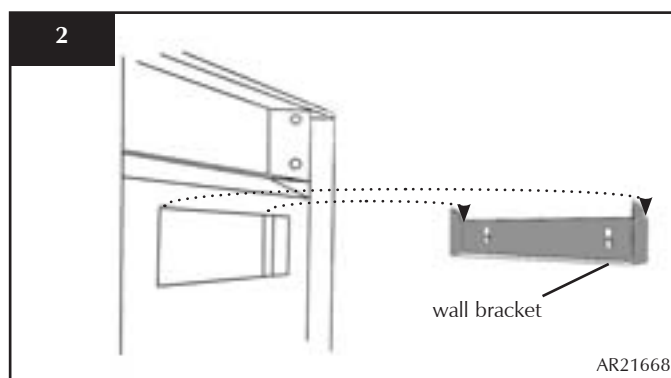
2.1 For the Fusion:

- Find the fire's centre point across its width and mark
- Mark 1023mm from the hearth, or base of appliance (if wall mounted), to establish the correct height



2.2 To fix the wall bracket:

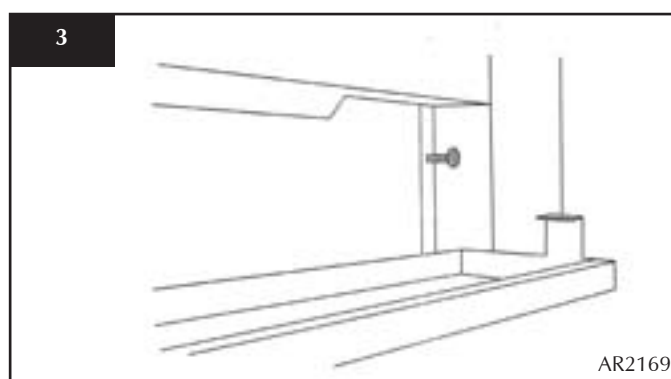
- Secure the bracket into place with the screws supplied
- Lift and hook the frame onto the bracket, Diagram 2
- Centre the frame



3. SECURING FUSION FRAME TO THE FIRE

3.1 Access to the controls is behind the drop down lower cover. There are two fixing brackets either side of the controls:

- Secure frame to the firebox at the base with screws supplied to ensure rigid fixing, Diagram 3



Futura

Covering the following frames:
Futura: Model number 8687

USER INSTRUCTIONS

1. CONTROLS ACCESS

To access the fire's controls with a Futura Frame fitted:

- Push the control panel firmly in the centre to release the magnetic catch

Details of the controls (and **Replacing the Batteries**, if applicable) are given in the **User** section of the fire's **Instruction** manual.

2. CLEANING THE FRAME

Only clean the frame when it is cold.

- Clean the glass with a non-abrasive proprietary glass cleaner and wipe over with a soft cloth

INSTALLATION INSTRUCTIONS

Covering Models 8687

1. GENERAL

- 1.1 These instructions are supplemental to, and must be read in conjunction with, the **Installation Instructions (PR0741 for E-Studio & Logic E-Box Conventional Flue and the Balanced Flue version in PR0776)** supplied with the fire.
- 1.2 Fitting of the Futura frame must be carried out after the appliance has been fully installed and commissioning tests completed.

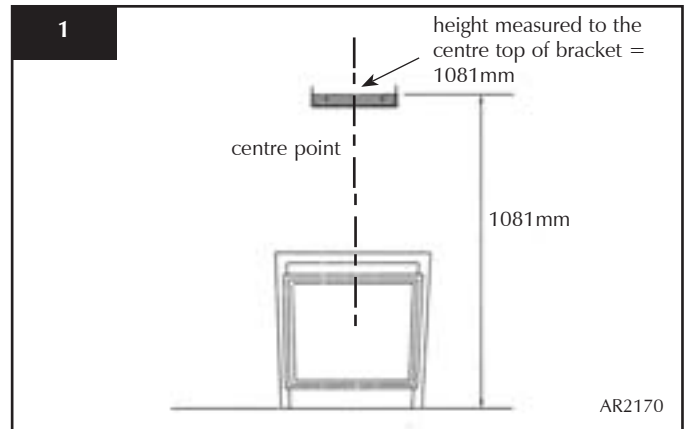
2. PREPARATION OF WALL FIXING FOR FUTURA

The Futura is in two parts: a back panel which fits to the wall; a front panel that hooks onto the fixed back panel.

4.1 BACK PANEL

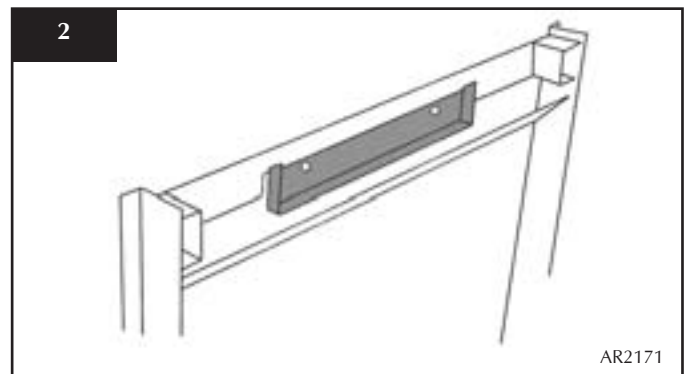
The back panel hooks onto a wall bracket (supplied).

- Find the fire's centre point across its width and mark
- Mark 1081 mm from the hearth or base of appliance (if wall mounted) to establish the correct height
- Centre the wall bracket above the fire and at the distance from the hearth or base of appliance (if wall mounted) shown in Diagram 1



4.2 To fix the wall bracket:

- Secure the bracket into place with the screws supplied
- Lift and hook the back panel onto the bracket
- Centre the back panel, Diagram 2
- Secure the back panel through the firebox using the fixings next to the controls, Diagram 3



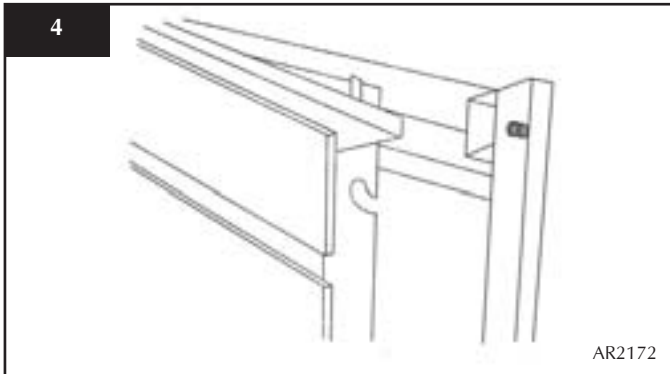
Futura

Covering the following frames:
Futura: Model number 8687

4.3 FRONT

There are two hook-shaped inlets on each side at the top of the Front

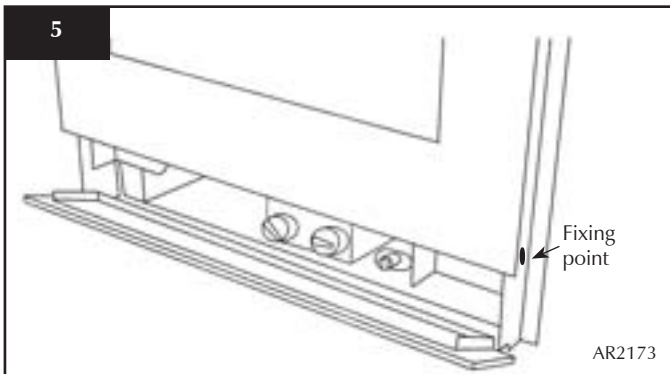
- Hook onto the studs at either side of the fixed back panel, Diagram 4



5. SECURING FUTURA FRAME TO THE FIRE

5.1 Access to the controls is behind the drop down lower cover.

- Push the door of the controls firmly in the centre to release the magnetic catch



There are two fixing brackets either side of the controls:

- Secure frame to the firebox at the base with screws supplied to ensure rigid fixing, Diagram 5

Gazco Limited, Osprey Road, Sowton Industrial Estate, Exeter, Devon, England EX2 7JG
Tel: (01392) 261999 Fax: (01392) 444148 E-mail: info@gazco.com

A member of the Stovax Group

Free Manuals Download Website

<http://myh66.com>

<http://usermanuals.us>

<http://www.somanuals.com>

<http://www.4manuals.cc>

<http://www.manual-lib.com>

<http://www.404manual.com>

<http://www.luxmanual.com>

<http://aubethermostatmanual.com>

Golf course search by state

<http://golfingnear.com>

Email search by domain

<http://emailbydomain.com>

Auto manuals search

<http://auto.somanuals.com>

TV manuals search

<http://tv.somanuals.com>