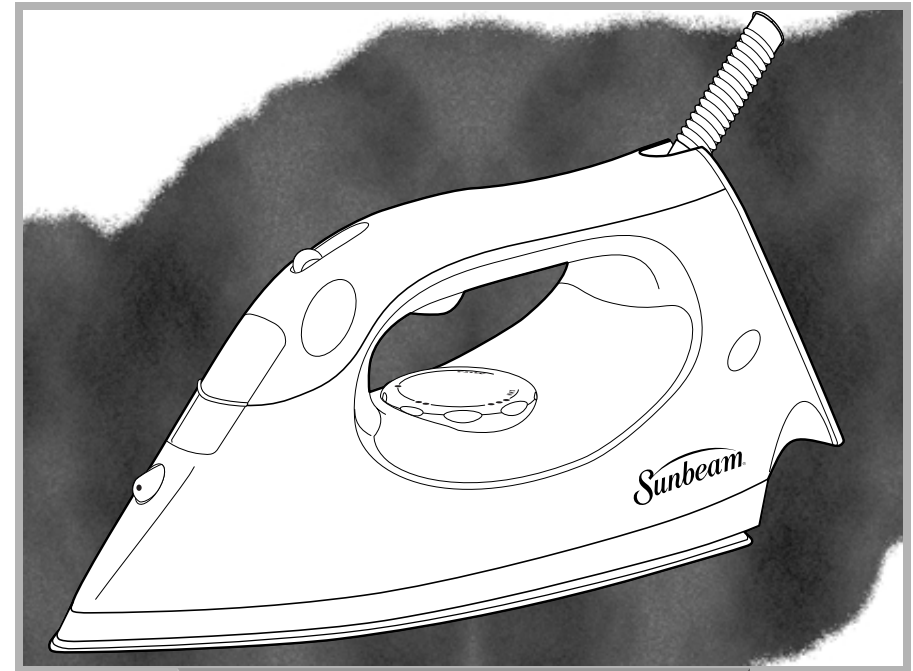


Sunbeam®



MODEL/MODÈLE
MODELO **3945**

Instruction Manual

15-MINUTE AUTO-OFF STEAM IRON

READ ALL INSTRUCTIONS BEFORE USING THIS APPLIANCE

Manuel d'Instructions

FER À VAPEUR AVEC SYSTÈME D'ARRÊT AUTOMATIQUE APRÈS 15 MINUTES

LIRE TOUTES LES INSTRUCTIONS AVANT D'UTILISER CET APPAREIL

Manual de Instrucciones

PLANCHA A VAPOR CON APAGADO AUTOMATICO DE 15 MINUTOS

LEA TODAS LAS INSTRUCCIONES ANTES DE USAR ESTE APARATO

Manual de Instruções

FERRO DE VAPOR COM DESLIGADO AUTOMÁTICO DE 15 MINUTOS

LEIA TODAS AS INSTRUÇÕES ANTES DE USAR ESTE APARELHO

Sunbeam®

©2002 Sunbeam Products, Inc. All rights reserved.

SUNBEAM® and SPRAY MIST® are registered trademarks of Sunbeam Products, Inc.
Distributed by Sunbeam Products, Inc., Boca Raton, Florida 33431.

©2002 Sunbeam Products, Inc. Tous droits réservés.

SUNBEAM® et SPRAY MIST® sont marques déposées de Sunbeam Products, Inc.
Distribué par Sunbeam Products, Inc., Boca Raton, Florida 33431.

©2002 Sunbeam Products, Inc. Todos los derechos reservados.

SUNBEAM® y SPRAY MIST® son marcas registradas de Sunbeam Products, Inc.
Distribuido por Sunbeam Products, Inc., Boca Raton, Florida 33431.

©2002 Sunbeam Products, Inc. Todos os direitos reservados.

SUNBEAM® e SPRAY MIST® som marcas registradas de Sunbeam Products, Inc.
Distribuído pela Sunbeam Products, Inc., Boca Raton, Florida 33431.

P.N. 103683

Download from www.Somanuals.com. All Manuals Search And Download.

IMPORTANT SAFEGUARDS

When using your iron, basic safety precautions should always be followed, including the following:

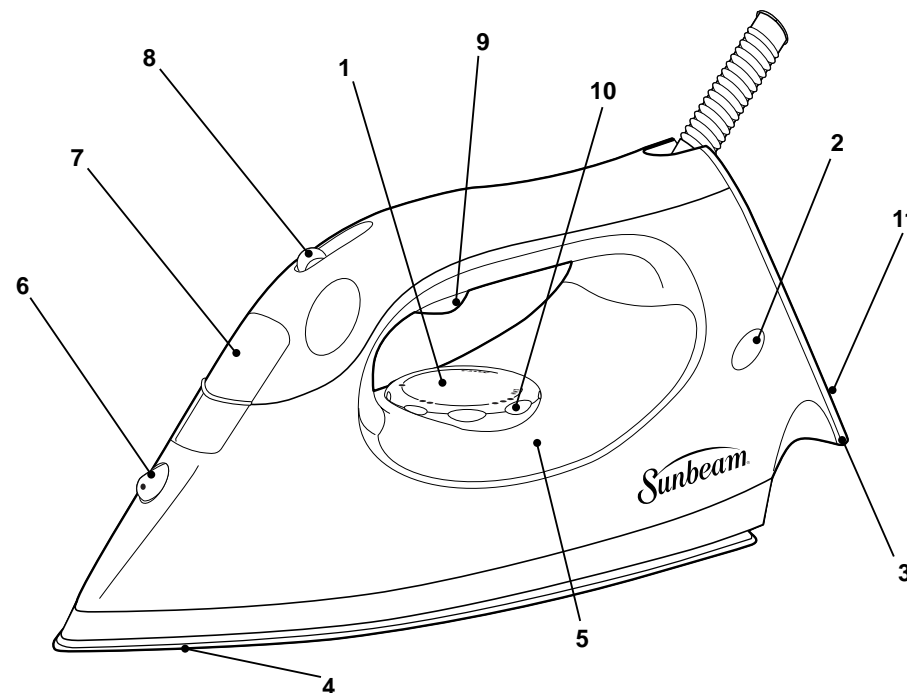
READ ALL INSTRUCTIONS BEFORE USING

1. Use iron only for its intended use.
2. To protect against risk of electric shock, do not immerse the iron in water or other liquids.
3. The iron should always be turned to "OFF" before plugging or unplugging from outlet. Never yank cord to disconnect from outlet; instead, grasp plug and pull to disconnect.
4. Do not allow cord to touch hot surfaces. Let iron cool completely before putting away. Loop cord loosely around iron when storing.
5. Always disconnect iron from electrical outlet when filling with water or emptying and when not in use.
6. Do not operate iron with a damaged cord or if the iron has been dropped or damaged. To avoid the risk of electric shock, do not disassemble the iron. Take it to a qualified serviceman for examination and repair. Incorrect reassembly can cause a risk of electric shock when the iron is used.
7. Close supervision is necessary for any appliance being used by or near children. Do not leave iron unattended while connected or on an ironing board.
8. Burns can occur from touching hot metal parts, hot water or steam. Use caution when you turn a steam iron upside down – there may be hot water in the reservoir.
9. **If the iron is not operating normally, disconnect from the power supply and contact your nearest authorized Sunbeam distributor.**

SPECIAL INSTRUCTIONS

1. To avoid a circuit overload, do not operate another high wattage appliance on the same circuit.
2. If an extension cord is absolutely necessary, a 10-ampere cord should be used. Cords rated for less amperage may overheat. Care should be taken to arrange the cord so that it cannot be pulled or tripped over.

KNOW YOUR SUNBEAM® STEAM/SPRAY/DRY IRON



- | | |
|--------------------------------------------|------------------------------------|
| 1. Temperature Control Dial | 6. SPRAY MIST® Nozzle |
| 2. Power Indicator/Reset Button | 7. Water Fill Opening |
| 3. Cord Wrap Groove | 8. Steam On/Off Control |
| 4. Non-Stick Sole Plate;
21 Steam Vents | 9. SPRAY MIST® Trigger |
| 5. Water Window | 10. Fabric Temperature Suggestions |
| | 11. Heel Rest |

SAVE THESE INSTRUCTIONS

FEATURES

- **SPRAY MIST®** – Provides a fine spray mist for spot dampening. Trigger control.
- **Temperature Dial** – Controls heat output of iron. Adjust dial according to ironing needs. For low temperatures, turn the dial to the first dot. For medium temperatures, turn the dial to second set of dots. For high temperatures, turn dial to third set of dots. (*Refer to Ironing Guide for recommended settings*).
- **Swivel Cord** – Pivots up and down and is supported to prevent dragging on fabric. Flexible grommet protects the cord from fraying.
- **Soleplate** – Has full-length button grooves for added convenience when ironing shirts and blouses.
- **Non-Stick Finish** – The non-stick coating on the soleplate prevents sticking of fabrics and starch residue.
- **Sliding Water Reservoir Cover** – Prevents dust and foreign matter from entering the water tank; stops any water spillage during ironing.
- **Cord Wrap** – Provides quick, convenient cord storage.
- **Automatic Shut-Off** – Shuts off iron after 15 minutes of operation.
- **Power Reset Button** – Press to reset.

AUTO-OFF FEATURE

When the iron is plugged into a 120 V, AC electrical outlet, the steady red signal light signals the iron is on. If the iron is left standing for 15 minutes, the iron will stop heating. The signal light extinguishes to indicate auto shut-off and will stay out until the iron is either reset or unplugged.

To restart iron: To restart iron after it has shut itself off, please reset the red button.

CAUTION: DO NOT USE THE AUTO SHUT-OFF FEATURE AS A SUBSTITUTE FOR TURNING OFF AND UNPLUGGING THE IRON WHEN NOT IN USE.

BEFORE FIRST USE

To ensure no stain is transferred to the fabric the first time you use the iron, it is advisable to flush the soleplate steam vents to remove any residue from the manufacturing process.

To do this:

1. Set the steam adjustment control to steam (on).
2. Fill the iron's water tank to its maximum fill line.
3. Set the temperature selector knob to its highest setting. Heat iron for 2 minutes.
4. Steam for 2 minutes while directing the steam vents away from the ironing surface.
5. Pass the iron on a damp cloth or a paper towel to clean.

SELECTING THE CORRECT FABRIC SETTING

When ironing, use the temperature and steam settings recommended for the type of fabric being ironed. Garments requiring low temperatures and steam should be ironed first. This will help avoid damaging garments with an iron that is too hot. If you are not sure of the fabric content of the garment, start with a low heat and steam setting and test the iron on an area of the garment where it will not show, such as a seam or facing. Gradually increase the heat and steam settings until wrinkles are removed without damaging the fabric.

When changing the temperature from a high setting to a lower setting (*Example: Moving temperature selector from maximum to minimum*), allow approximately 5 minutes for the lower temperature to be reached. The following charts are designed to help you select the best setting and method for the fabric you plan to iron. Check garment labels and follow recommendations given by the fabric manufacturer. For blended fabrics use the setting for the fabric in the blend requiring the lowest temperature. For example: 65% polyester, 35% cotton fabric. Iron this fabric at the minimum setting.

TEMPERATURE AND STEAM GUIDE

(All Models Except Variable Steam Models)

FABRIC	STEAM GUIDE	IRONING RECOMMENDATIONS
Acetate-Nylon	Dry Steam	Dry iron on wrong side while damp.
Acrylic-Silks	Dry Steam	Dry iron on wrong side while damp. Acrylic fabrics may be steam ironed at steam settings if fabric manufacturer directs.
Polyester	Dry Steam	Dry iron while fabric is damp or use spray as you iron. Iron rayon fabrics on the wrong side. Steam iron as fabric manufacturer directs.
Wools	Dry Steam	Steam iron on wrong side or use pressing cloth on right side.
Cottons	Dry Steam	Steam iron while damp or use spray as you iron. Iron dark fabrics on wrong side to avoid shine.
Linens	Dry Steam	Steam iron while damp or use spray as you iron. Iron each section until entirely dry. Iron dark fabrics on the wrong side and table linens on right side.

TEMPERATURE AND STEAM GUIDE

(All Models Except Variable Steam Models)

FABRIC	STEAM GUIDE	IRONING RECOMMENDATIONS
Acetate-Nylon	MIN	Dry iron on wrong side while damp.
Acrylic-Silks	MIN	Dry iron on wrong side while damp. Acrylic fabrics may be steam ironed at steam settings if fabric manufacturer directs.
Polyester	●	Steam iron while fabric is damp or use spray as you iron. Iron rayon fabrics inside out. Steam iron as manufacturer directs.
Wools	● ●	Steam iron inside out or use pressing cloth on right side.
Cottons	MAX ● ● ●	Steam iron while damp or use spray as you iron. Iron dark fabrics inside out to avoid shine.
Linens	MAX	Steam iron while damp or use spray as you iron. Iron each section until entirely dry. Iron dark fabrics inside out and table linens on right side.

A WORD ON WATER

This iron is specially designed to use tap water. In areas of the country where the water is very hard, distilled water is recommended for your iron. If you use distilled water in your iron, you should periodically use a tank of tap water to keep your iron properly conditioned. DO NOT use water passed through home water softening systems because such water contains minerals that may be harmful to the iron.

USING AS A DRY IRON

The iron can be used on the dry setting with or without water in the tank. Avoid having the tank too full of water while dry ironing.

- Slide the temperature control to MIN before plugging the cord into a 120 volt, AC electrical outlet.
- Slide top button to the no-steam position and move the temperature control to the appropriate fabric setting.
- If you are starting with a cool iron, let iron heat in the upright position on the heel rest. If the iron is already hot, be sure to cool or heat the iron to a suitable temperature for the fabric you are about to iron. Try it on an area of the garment where it will not show, such as a seam or facing.

USING AS A STEAM IRON

When using as a steam iron, be sure the temperature setting is within the STEAM range on the temperature selector to avoid water spotting the garment.

- Slide the temperature control to MIN. Slide top button to the steam position. Fill the iron with water. (See *TO FILL THE WATER TANK instructions*).
- Plug the cord into a 120 volt, AC electrical outlet.
- Move the temperature control to the appropriate fabric setting. Allow 2 minutes for the iron to reach the desired temperature.
- After iron has reached desired temperature, remove from the heel rest and use. If the unit fails to steam after depressing the steam slide button, gently tap the soleplate on the ironing surface. This will aid in starting the steaming action.
- When steam ironing, if the temperature control setting is accidentally lowered, water may appear on the soleplate, indicating that iron temperature has dropped below steaming level. If this should occur, reset temperature control to desired level. Rest the iron on its heel rest for 1 minute to allow it to reach temperature. If your iron starts losing its flow of steam and you wish to continue steam ironing, you may refill without cooling the iron. Unplug the iron. Follow the *TO FILL THE WATER TANK instructions*. Add water only to the maximum fill line to prevent overflow.

TO FILL THE WATER TANK

Always unplug the iron before filling. Set iron on its heel rest.

The water fill opening is located underneath the spill-proof cap. Hold the iron with the cap open and fill to maximum fill line. Close the spill-proof cap on the iron. Be sure the cap is fully sealed. Wipe the exterior of the unit to dry off any spillage.

TO EMPTY THE WATER TANK

Slide the temperature selector to the MIN position. Unplug the iron from the electrical outlet. Open the spill-proof cap. Holding the iron over the sink, point the iron handle down and hold in that position until water stops flowing out of the fill opening. Shake the iron gently to loosen trapped water drops; the heat of the iron will dry the inside of the iron. Let the iron cool on its heel rest.

IMPORTANT: SUNBEAM DOES NOT RECOMMEND STORING THE IRON WITH WATER IN THE TANK.

CARING FOR YOUR SUNBEAM IRON

- Avoid ironing over snaps, zippers, rivets on jeans, etc., as they will scratch the soleplate.
- FOR MODELS WITH A NON-STICK SOLEPLATE, clean water marks, calcium deposits and starch from the soleplate as follows: allow iron to cool and wipe with a soft cloth using a mild vinegar solution (*one tablespoon of vinegar in one cup of water*). DO NOT USE SCOURING PADS, ABRASIVES, OR CHEMICAL CLEANING SOLVENTS as they may mar the finish.

NOTE: Scratches in non-stick soleplates do not affect performance of iron.

MAINTENANCE

Other than recommended care instructions contained in this pamphlet, no further user maintenance should be necessary.

However, following is a list of frequently asked questions and their resolutions. If for any reason your Sunbeam iron continues to exhibit one of these symptoms, or should require repair for another reason, do not attempt to fix it yourself. Contact your authorized Sunbeam Distributor.

QUESTIONS AND ANSWERS

SYMPTOM/POTENTIAL REASONS AND SOLUTIONS

Iron does not heat

- Iron should be plugged into a 120 volt, AC electrical outlet only.
- The slide control must be set at the desired temperature.
- The auto shut-off feature may have been activated. Press the power reset button to start ironing.

Iron does not steam

- The water tank may be empty. Add water.
- Make sure the steam button is fully depressed. (*On variable steam models, the slide control must be in one of the three steam positions*).
- Use only temperature settings at or above Polyester.
- Do not set to steam setting until selected temperature has been reached. Make sure iron is pre-heated 1-1/2 – 2 minutes.
- Gently tap the soleplate on the ironing board once or twice to clear any blockage of steam valve.
- Your iron may spit or leak water from the steam vents if you try to get steam when the temperature setting is too low. Use only temperature settings in steam range shown on the Temperature and Steam Guide.

Iron spits water or leaks water from steam vents

- Make sure iron has reached selected temperature before ironing. Pre-heat iron 1-1/2 – 2 minutes.
- If the iron leaks when turned OFF or while DRY ironing, make sure the steam control is set to NO STEAM position.
- Iron may have been overfilled. Turn it off. Follow instructions for emptying the water tank. Remove some of the water. Let iron cool, then dry it off. Replug iron into electrical outlet and reheat. After 1-1/2 minutes, set to "steam". Follow USING AS A STEAM IRON instructions.

NOTE: Always set steam control to NO STEAM position unless unit is ready for steam ironing.

IRON STORAGE

- When you've finished ironing, turn the temperature guide to the MIN position and push down or slide the button to the OFF position.
- Remove the cord from the outlet by grasping the plug rather than pulling the cord.
- Empty the water tank AFTER EACH USE while the iron is still HOT.
- Allow the iron to COOL COMPLETELY before putting it away. Wrap the cord loosely around the heel rest. WRAPPING TOO TIGHTLY CAN DAMAGE THE CORD.
- Always store the iron ON ITS HEEL REST with the temperature control knob in the MIN position. DO NOT store in the carton, as any residue of moisture may cause the soleplate to discolor.

TWO-YEAR LIMITED HOSPITALITY WARRANTY

Sunbeam Products, Inc. ("Sunbeam") warrants that for a period of 2 years from the date of purchase, this product will be free from defects in material and workmanship. Sunbeam, at its option, will repair or replace this product or any component of the product found to be defective during the warranty period. Replacement will be made with a new or remanufactured product or component. If the product is no longer available, replacement may be made with a similar product of equal or greater value. This is your exclusive warranty.

This warranty is valid for the original purchaser from the date of initial purchase and is not transferable. Sunbeam dealers, service centers, or stores selling Sunbeam products do not have the right to alter, modify or any way change the terms and conditions of this warranty.

This warranty does not cover normal wear of parts or damage resulting from any of the following: negligent use or misuse of the product, use on improper voltage or current, use contrary to the operating instructions, disassembly, repair or alteration by anyone other than Sunbeam or an authorized service center. Further, the warranty does not cover Acts of God, such as fire, flood, hurricanes and tornadoes.

Sunbeam shall not be liable for any incidental or consequential damages caused by the breach of any express or implied warranty. Except to the extent prohibited by applicable law, any implied warranty of merchantability or fitness for a particular purpose is limited in duration to the duration of the above warranty. Some states, provinces or jurisdictions do not allow the exclusion or limitation of incidental or consequential damages or limitations on how long an implied warranty lasts, so the above limitations or exclusion may not apply to you. This warranty gives you specific legal rights, and you may also have other rights that vary from state to state or province to province.

How to Obtain Warranty Service

Contact your Sunbeam authorized dealer.

DO NOT RETURN THIS PRODUCT TO THE PLACE OF PURCHASE

PRÉCAUTIONS IMPORTANTES

Lors d'utiliser du fer à repasser, veiller à toujours respecter des mesures de précaution élémentaires, notamment:

LIRE TOUTES LES INSTRUCTIONS AVANT D'UTILISER

1. Utiliser ce fer uniquement à des tâches pour lesquelles il est conçu.
2. Pour écarter les risques d'électrocution, ne pas immerger le fer dans l'eau ni dans aucun autre liquide.
3. Veiller à toujours mettre le fer en position «OFF» (ARRÊT) avant de le brancher ou de le débrancher. Ne jamais tirer sur le fil pour débrancher le cordon; saisir la fiche et l'extraire de la prise.
4. Ne pas laisser le cordon d'alimentation venir au contact des surfaces chaudes. Laisser le fer refroidir complètement avant de le ranger. Pour le rangement, enrouler le cordon autour du fer sans serrer.
5. Veiller à toujours débrancher le fer de la prise de courant avant de remplir ou vider le réservoir d'eau ou lorsque le fer n'est pas utilisé.
6. Ne pas utiliser un fer dont le cordon d'alimentation est endommagé ou qui a subi une chute ou a été endommagé. Pour écarter les risques d'électrocution, ne pas démonter le fer. Confier les contrôles et réparations à un réparateur qualifié. Un fer mal remonté présente un danger d'électrocution durant son utilisation.
7. Faites particulièrement attention lorsque le fer est utilisé par, ou en présence d'enfants. Ne pas laisser sans surveillance un fer branché ou posé sur la table à repasser.
8. Le contact avec les pièces en métal chaudes ou avec la vapeur s'échappant des orifices de diffusion présente des risques de brûlure. Attention avant de tourner un fer à repasser vapeur à l'envers: le réservoir peut contenir de l'eau bouillante.
9. **Si le fer plat ne fonctionne pas convenablement, débranchez-le de la source d'alimentation et apportez le fer à un centre de service agréé pour le faire vérifier.**

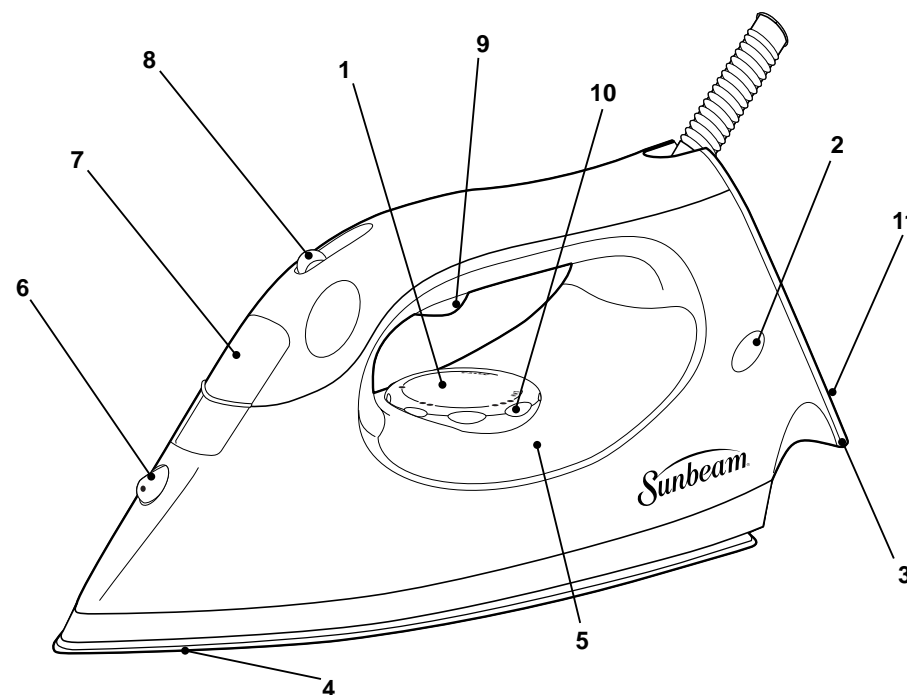
INSTRUCTIONS PARTICULIÈRES

1. Pour éviter toute surcharge du réseau électrique, ne pas utiliser un autre appareil de forte puissance sur le même circuit.
2. S'il est absolument nécessaire de se servir d'une rallonge électrique, utiliser un cordon de 10 A. Les cordons de capacité moindre présentent des risques d'échauffement. Veiller à placer le cordon de manière à ce qu'il ne risque pas d'être arraché ou de provoquer de trébuchement.

CET APPAREIL EST POUR USAGE DOMESTIQUE UNIQUEMENT

CONSERVEZ CES INSTRUCTIONS

CONNAÎTRE SON FER À REPASSER SUNBEAM®



- | | |
|------------------------------------------------|-----------------------------------------|
| 1. Bouton de Réglage de la Température | 6. Vaporisateur SPRAY MIST® |
| 2. Voyant de Marche/ Bouton de Rallumage | 7. Orifice de Remplissage |
| 3. Passage d'Enroulement du Cordon | 8. Commande de la Vapeur |
| 4. Semelle Antiadhérente, 21 Orifices à Vapeur | 9. Gâchette de Vaporisation SPRAY MIST® |
| 5. Fenêtre de Niveau d'Eau | 10. Guide de Température |
| | 11. Talon d'Appui |

CARACTERISTIQUES

- **Vaporisateur SPRAY MIST®** – Produit un fin brouillard pour humectage local. Commande à gâchette.
- **Bouton de Température** – Contrôle la production de chaleur du fer. Régler ce bouton en fonction de besoins. Pour les basses températures, placer ce bouton sur le point unique. Pour les températures moyennes, le placer sur le seconde groupe de points. Pour les températures élevées, le placer sur le troisième groupe de points (*voir le réglage recommande dans le guide de température*).
- **Cordon Articulé** – Pivote de haut en bas et dispose d'un support qui l'empêche de traîner sur le tissu. Le manchon souple protégé le cordon contre la déchirure.
- **Semelle** – Dispose de rainures pour le passage des boutons sur toute sa longueur, très pratiques lors du repassage des chemises et chemisiers.
- **Finition Antiadhérente** – Le revêtement antiadhérent de la semelle empêche les tissus et les résidus d'amidon d'attacher à la surface.
- **Couvercle de Réservoir d'Eau Coulissant** – Empêche les poussières et autres corps étrangers de pénétrer dans le réservoir d'eau; évite de renverser l'eau durant le repassage.
- **Enroulement du Cordon** – Permet un rangement rapide et pratique du cordon électrique.
- **Arrêt Automatique** – Le fer s'éteint après 15 minutes de fonctionnement.
- **Bouton de Rallumage** – Appuyer pour rallumer le fer.

FONCTION D'ARRÊT AUTOMATIQUE

Lorsque le fer à repasser est branché sur une prise de courant 120V, le voyant rouge s'allume sans clignoter pour signaler que le fer est allumé. Si le fer est inutilisé pendant 15 minutes, il s'éteint automatiquement. Le voyant s'éteint pour indiquer la mise hors tension du fer jusqu'à ce que le fer soit rallumé ou débranché.

Pour rallumer le fer: Après l'arrêt automatique du fer, appuyer le bouton rouge pour le rallumer.

ATTENTION: LA FONCTION D'ARRÊT AUTOMATIQUE N'ÉLIMINE PAS LA NECESSITE DE DEBRANCHER LE FER POUR L'ÉTEINDRE APRÈS UTILISATION.

AVANT LA PREMIÈRE UTILISATION

Pour écarter le risque de transfert de taches sur le tissu lors du premier repassage, il est conseillé de rincer les orifices à vapeur de la semelle pour éliminer tout résidu du processus de fabrication.

Pour cela:

1. Placer le bouton de commande en position steam (on – vapeur).
2. Remplir le réservoir d'eau jusqu'à son niveau maximum.
3. Mettre le bouton de commande de la température sur son réglage maximum. Laisser chauffer le fer pendant 2 minutes.
4. Laisser la vapeur s'échapper pendant 2 minutes en écartant le fer de la surface de repassage.
5. Passer le fer sur un chiffon ou une serviette en papier humide pour le nettoyer.

CHOIX DU TYPE DE TISSU

Pour repasser, respecter les réglages de vapeur et de température conseillés pour le type de tissu repassé. Repasser en premier les vêtements nécessitant de basses températures et peu de vapeur. Ceci permet d'éviter d'endommager les vêtements avec un fer trop chaud. En cas d'incertitude sur la composition du tissu, commencer avec un réglage minimum de la température et de la vapeur et effectuer un essai sur une zone cachée du vêtement, du type couture ou revers. Augmenter progressivement les réglages de température et de vapeur jusqu'à faire disparaître les plis sans endommager le tissu.

Lorsque la température est abaissée (*bouton de réglage amené du maximum au minimum, par ex.*), attendre cinq minutes environ que le fer soit descendu jusqu'à la température désirée. Les tableaux de la page suivante permettent de choisir le réglage et la méthode les mieux adaptés au tissu à repasser. Consulter les étiquettes des vêtements et suivre les recommandations du fabricant du vêtement. Pour les tissus mixtes, utiliser le réglage correspondant au tissu du mélange nécessitant la température la plus basse. Exemple: 65% polyester, 35% coton. Repasser un tel tissu en choisissant le réglage de température minimal.

GUIDE DE TEMPÉRATURE ET VAPEUR

(Tous les modèles à vapeur variables)

TISSU	VAPEUR SÈCHE	CONSEILLÉS DE REPASSAGE
Nylon d'Acétate	Vapeur Sèche	Repasser à sec sur l'envers humide.
Rayonnes	Vapeur Sèche	Repasser à sec sur l'envers humide. Les tissus acryliques peuvent être repassés à la vapeur suivant les instructions du fabricant.
Polyester	Vapeur Sèche	Repasser à sec le tissu humide ou utiliser le vaporisateur au fur et à mesure du repassage. Repasser la rayonne sur l'envers. Repasser à la vapeur suivant les instructions du fabricant.
Lainages	Vapeur Sèche	Repasser à la vapeur sur l'envers ou utiliser un tissu protecteur sur l'endroit.
Cotons	Vapeur Sèche	Repasser à la vapeur le tissu humide ou utiliser le vaporisateur au fur et mesure du repassage. Repasser les tissus sombres sur l'envers pour éviter le lustrage.
Lins	Vapeur Sèche	Repasser à la vapeur le tissu humide ou utiliser le vaporisateur au fur et à mesure du repassage. Repasser chaque portion jusqu'au séchage complet. Repasser les tissus sombres sur l'envers et le linge de table sur l'endroit.

GUIDE DE TEMPÉRATURE ET VAPEUR

(Tous les modèles à vapeur variables)

TISSU	VAPEUR SÈCHE	CONSEILLÉS DE REPASSAGE
Nylon d'Acétate	MIN	Repasser à sec sur l'envers humide
Rayonnes	MIN	Repasser à sec sur l'envers humide. Les tissus acryliques peuvent être repassés à la vapeur suivant les instructions du fabricant.
Polyester	●	Repasser à la vapeur le tissu humide ou utiliser le vaporisateur au fur et à mesure du repassage. Repasser la rayonne sur l'envers. Repasser à la vapeur suivant les instructions du fabricant.
Lainages	● ●	Repasser à la vapeur sur l'envers ou utiliser un tissu protecteur sur l'endroit.
Cotons	MAX ● ● ●	Repasser à la vapeur le tissu humide ou utiliser le vaporisateur au fur et mesure du repassage. Repasser les tissus sombres sur l'envers pour éviter le lustrage.
Lins	MAX	Repasser à la vapeur le tissu humide ou utiliser le vaporisateur au fur et à mesure du repassage. Repasser chaque portion jusqu'au séchage omplet. Repasser les tissus sombres sur l'envers et le linge de table sur l'endroit.

QUELQUE MOTS SUR L'EAU

Ce fer est conçu spécialement pour utiliser de l'eau du robinet. Dans les régions disposant d'une eau particulièrement dure, il est conseillé d'utiliser de l'eau distillée. En cas d'utilisation d'eau distillée, il est conseillé de remplir périodiquement le réservoir avec de l'eau du robinet pour garder le fer en bon état de fonctionnement. NE PAS utiliser d'eau ayant passé par un dispositif adoucisseur domestique car une telle eau contient des minéraux susceptibles d'endommager le fer.

UTILISATION DU FER À SEC

Le fer peut être utilisé sur le réglage «sec», avec ou sans eau dans le réservoir. Éviter d'avoir un réservoir trop plein lors d'un repassage à sec.

- Mettre la commande de température sur MIN avant de brancher le cordon d'alimentation sur une prise électrique 120 V.
- Placer le bouton supérieure dans sa position sans vapeur et le bouton de température sur le réglage approprié pour le tissu.
- Si le fer est froid à l'origine, le laisser chauffer en position verticale sur son talon d'appui. Si le fer est déjà chaud, veiller à le laisser chauffer ou refroidir jusqu'à la température adaptée au tissu à repasser. Faire un essai sur une zone du vêtement qui ne sera pas visible, du type couture ou revers.

UTILISATION DU FER AVEC VAPEUR

Lorsque le fer est utilisé avec la vapeur, veiller à ce que le réglage de température soit dans l'intervalle STEAM du bouton de température afin d'éviter les taches d'eau sur le vêtement.

- Mettre la commande de température sur MIN. Placer le bouton supérieure dans sa position vapeur. Remplir le fer d'eau (*VOIR LES INSTRUCTIONS DE REMPLISSAGE DU RÉSERVOIR D'EAU*).
- Brancher le cordon d'alimentation sur une prise électrique 120V.
- Placer le bouton de température sur le réglage de température correspondant au tissu à repasser. Attendre deux minutes que le fer ait atteint la température choisie.
- Un fois que le fer ait atteint la température désirée, l'enlever de son talon d'appui et l'utiliser. Si le fer ne dégage pas de vapeur une fois que le bouton de vapeur coulissant a été enfoncé, tapoter légèrement de la semelle sur la surface de repassage. Ceci facilitera le début de la production de vapeur.
- Si le réglage de température est baissé accidentellement durant le repassage à la vapeur, il est possible que de l'eau apparaisse sur la semelle, signalant que la température du fer est passée en dessous du seuil de production de vapeur. Dans ce cas, remettre le réglage de température au niveau désirée. Laisser le fer reposer sur son talon d'appui pendant 1 minute jusqu'à ce que la température choisie soit atteinte. Si le fer commence à perdre son débit de vapeur, il est possible de continuer à l'utiliser sans le faire refroidir. Débrancher le fer. Suivre les instructions de REMPLISSAGE DU RÉSERVOIR D'EAU. Pour éviter les débordements d'eau, remplir jusqu'au repère du niveau maximal.

REPLISSAGE DU RÉSERVOIR D'EAU

Veiller à toujours débrancher le fer avant le remplissage. Placer le fer sur son talon d'appui.

L'orifice de remplissage de l'eau se situe sous le capuchon anti-déversement. Tenir le fer avec le capuchon ouvert et le remplir jusqu'à la ligne de niveau maximum. Refermer le capuchon du fer. Vérifier qu'il est correctement en place. Essuyer l'extérieur de l'appareil pour éliminer les éclaboussures.

VINDANGE DU RÉSERVOIR

Mettre la commande de température en position MIN. Débrancher le fer de la prise de courant. Ouvrir le capuchon du réservoir. Au-dessus de l'évier, pointer la poignée du fer vers le bas et maintenir dans cette position jusqu'à ce que l'eau ait cessé de s'écouler de l'orifice de remplissage. Remuer doucement le fer pour libérer les gouttes d'eau piégées à l'intérieur; la chaleur du fer finira de sécher l'intérieur. Laisser le fer refroidir sur son talon d'appui.

IMPORTANT: SUNBEAM DÉCONSEILLE DE RANGER LE FER AVEC DE L'EAU DANS LE RÉSERVOIR.

SOINS DU FER À REPASSER SUNBEAM

- Pour éviter de rayer la surface de la semelle, ne pas repasser sur des boutons-pression, fermetures-éclair, rivet de jeans, etc.
- SUR LES MODELES A SEMELLE ANTIADHÉRENTE, nettoyer les marques d'eau, les dépôts de calcium et d'amidon sur la semelle de la manière suivante; laisser le fer refroidir et l'essuyer avec un chiffon doux et une solution légèrement vinaigrée (*une cuillerée à soupe de vinaigre pour 250 ml ou une tasse d'eau*). NE PAS UTILISER DE TAMPONS À RECUSER, PRODUITS ABRASIFS OU SOLVANTS NETTOYANTS CHIMIQUES, qui risqueraient d'endommager le revêtement.

REMARQUE: Les rayures sur une semelle antiadhérente n'ont pas d'effet sur l'efficacité du fer.

ENTRETIEN

Aucune opération d'entretien autre que les soins recommandés plus haut dans ce document n'est pas nécessaire.

Toutefois, ce qui suit est une liste des problèmes les plus fréquents avec leur solution. Si pour quelque raison que ce soit, le fer à repasser Sunbeam continuait à présenter l'un de ces problèmes ou nécessitait autre réparation, ne pas tenter de le réparer soi-même. Contactez un des Centres de Service Autorisé Sunbeam.

QUESTIONS ET RÉPONSES

SYMPTOME/CAUSES POSSIBLES ET SOLUTIONS

Le fer ne chauffe pas

- Le fer doit être branché exclusivement sur une prise secteur 120 V.
- Le bouton coulissant doit être placé sur le réglage de température désirée.
- Il est possible que la fonction d'arrêt automatique soit activée. Appuyer le bouton rouge pour rallumer le fer.

Le fer ne produit pas de vapeur

- Le réservoir d'eau est vide. Remplir d'eau.
- Vérifier que le bouton de vapeur est totalement enfoncé (*sur les modèles à vapeur réglable, ce bouton coulissant doit se trouver dans l'une des trois positions de vapeur*).
- Utiliser uniquement des réglages de température de niveau polyester et au-dessus.
- Ne pas régler sur vapeur avant que la température choisie ait été atteinte. Permettre au fer de préchauffer pendant 1 min 30 à 2 min.
- Taper doucement une ou deux fois avec la semelle sur la planche à repasser pour éliminer tout blocage éventuel de la soupape à vapeur.
- Lorsqu'on cherche à obtenir de la vapeur avec un réglage de température trop bas, il est possible que de l'eau s'écoule ou soit projetée hors du fer. Utiliser exclusivement un réglage de température compris dans la gamme de vapeur indiquée dans le guide de température et vapeur.

De l'eau s'écoule ou est projetée hors des orifices à vapeur du fer

- Vérifier que le fer ait bien atteint la température choisie avant de repasser. Lui permettre de préchauffer pendant 1 min 30 à 2 min.
- Si le fer perd de l'eau lorsqu'il est éteint OFF ou en position de repassage à sec DRY, vérifier que la commande de vapeur est en position NO STEAM.
- Il est possible que le fer soit trop plein d'eau. L'éteindre. Suivre les instructions de vidange du réservoir d'eau. Vider une partie de l'eau. Laisser le fer refroidir, puis l'essuyer. Le rebrancher puis le laisser réchauffer. Au bout de 1 min 30, le mettre en mode «vapeur». Suivre les instructions du paragraphe UTILISATION DU FER AVEC VAPEUR.

REMARQUE: Toujours garder la commande de vapeur en position NO STEAM à moins que l'appareil soit prêt pour le repassage à la vapeur.

Rangement du Fer

- A la fin du repassage, ramener commande de température en position MIN et enfoncer ou faire coulisser le bouton en position OFF.
- Débrancher le cordon d'alimentation de la prise de courant en saisissant la fiche plutôt que de tirer sur le fil.
- Vider l'eau du réservoir APRÈS CHAQUE UTILISATION pendant que le fer est encore CHAUD.
- Permettre au fer de REFROIDIR COMPLETEMENT avant de la ranger. Enrouler le cordon autour du talon d'appui sans serrer. UN ENROULMENT TROP SERRE PEUT ENDOMMAGER LE CORDON.
- Veiller à toujours entreposer le fer SUR SON TALON D'APPUI avec la commande de température en position MIN. NE PAS l'entreposer dans son emballage carton car tout reste d'humidité peut provoquer des taches sur la semelle.

GARANTIE LIMITEE DE 2 ANS

Sunbeam Products Inc, (Sunbeam) offre une garantie sur ce produit d'une durée de 2 ans à partir de la date d'achat. Ce produit n'a pas de défauts de fabrication ni dûs aux matériaux. Sunbeam s'engage, sous réserve, à faire les réparations ou le changement de ce produit ou de n'importe quelle pièce de celui-ci, s'il présente des défauts pendant la période de garantie. Le remplacement, sera fait avec un produit ou une pièce, neuf ou réparé. Si le produit n'est plus fabriqué, alors un produit similaire en valeur ou plus cher, sera envoyé comme remplacement. Cette garantie est exclusive pour vous.

Seulement la personne qui a acheté ce produit en premier lieu peut profiter de la garantie, laquelle est valable depuis la date d'achat initiale. Elle ne peut pas être transférée à une autre personne. Les distributeurs de Sunbeam et les centres de services qui vendent les produits Sunbeam ne sont pas autorisés à changer ou modifier, d'aucune manière, les conditions et termes de cette garantie.

La garantie ne sera pas appliquée pour des problèmes ou défauts résultant de l'usage ou si l'appareil est abîmé pour négligence, utilisation incorrecte, branchement de l'appareil sur voltage ou courant différents de ceux qui sont indiqués, utilisation différente de celle qui est indiquée dans le mode d'emploi, démontage, réparation ou changements réalisés par des personnes autres que le personnel de Sunbeam ou d'un des Centres de Service Autorisé. D'autre part, cette garantie ne couvre pas des situations ayant pour origine le hasard comme un incendie, une inondation, un ouragan ou une tornade.

Sunbeam ne sera pas responsable pour tout dégât résultant de la non observation de n'importe quelle partie de la garantie. Toute garantie commerciale ou d'autre type sera limitée par la durée de la période de la garantie ci-dessus, à moins que la loi en vigueur ne dise le contraire. Dans certains États, provinces ou juridictions l'exclusion ou la limitation des dégâts provoqués par accident ou comme conséquence ainsi que la limitation de la durée d'une garantie, ne sont pas permis. C'est pourquoi les limitations et les exclusions indiquées ci-dessus peuvent ne pas être valables dans votre cas. Cette garantie vous donne des droit légaux spécifiques, mais vous pouvez avoir d'autres droits selon les lois de votre État ou province.

Comment Obtenir le Service de Garantie

Entrez en contact avec votre distributeur agree Sunbeam.

NE PAS RETOURNER CE PRODUIT À SON EMPLACEMENT D'ACHAT

PRECAUCIONES IMPORTANTES

Al utilizar su plancha, tenga siempre en mente las siguientes medidas de seguridad básicas:

LEA TODAS LAS INSTRUCCIONES ANTES DE USAR

1. Utilice la plancha sólo para lo que fue diseñada.
2. Para evitar sufrir una descarga eléctrica, no sumerja la plancha en agua o en ningún otro líquido.
3. La plancha siempre deberá estar en "OFF" (apagada) antes de conectarla o desconectarla del tomacorriente. Nunca tire del cable eléctrico para desconectar el aparato del tomacorriente; en vez de ello, tome el enchufe y hale para desconectar.
4. Evite que el cable eléctrico entre en contacto con superficies calientes. Permita que la plancha se enfríe completamente antes de guardarla. Para almacenarla enrolle el cable eléctrico alrededor de la plancha sin apretar.
5. Siempre desconecte la plancha del tomacorriente al llenarla con agua o al vaciarla y cuando no esté en uso.
6. No opere la plancha con un cable eléctrico dañado o luego de que la plancha se haya caído o dañado. Para evitar el riesgo de electrocución, no desarme la plancha. Lívela con un técnico calificado para su examinación y reparación. Un reensamblado incorrecto, puede crear peligro de electrocución al momento del uso.
7. Se requiere estricta supervisión en caso de que cualquier aparato sea utilizado por niños o cerca de estos. No deposite la plancha mientras esta se halle conectada o sobre la tabla de planchado.
8. Pueden producirse quemaduras al tocar piezas metálicas, agua o vapor calientes. Tenga cuidado al invertir la posición de la plancha – puede haber agua caliente en el tanque de agua.
9. **Si la plancha no está funcionando adecuadamente, desconéctela del tomacorriente y contáctese a su distribuidor Sunbeam autorizado más cercano.**

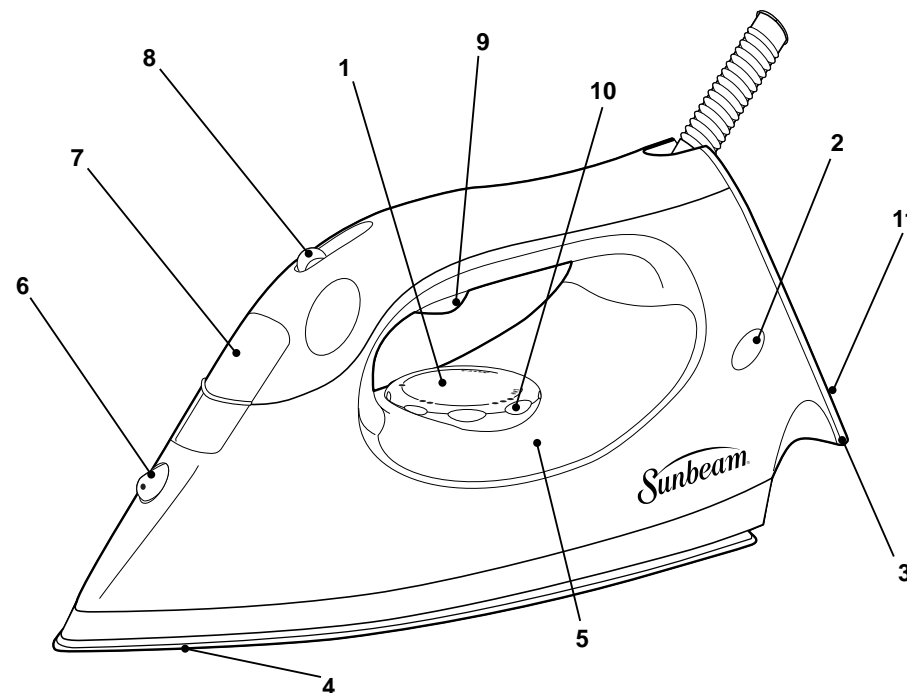
INSTRUCCIONES ESPECIALES

1. Para evitar una sobrecarga eléctrica, no opere otro aparato de alta potencia en el mismo circuito.
2. Si un cable de extensión es absolutamente necesario, un cable de 10 amperios debe ser utilizado. Cables con un amperaje menor pueden sobre calentarse. Tenga cuidado al momento de colocar el cable de modo que no ocasione tropiezos o pueda ser jalado.

ESTE APARATO ES PARA USO DOMÉSTICO SOLAMENTE

GUARDE ESTAS INSTRUCCIONES

CONOZCA SU PLANCHA SUNBEAM® DE VAPOR/ROCÍO/SECA



- | | |
|-------------------------------------------------------------|------------------------------------------------------|
| 1. Disco Para Control de Temperatura | 6. Boquilla para Rocío SPRAY MIST® |
| 2. Indicador de Energía/Botón de Reiniciado | 7. Orificio para el Llenado de Agua |
| 3. Ranura para Enrollar el Cable | 8. Control para Apagado/Encendido de Vapor |
| 4. Suela con Superficie Antiadherente; 21 Ventilas de Vapor | 9. Gatillo para Rocío SPRAY MIST® |
| 5. Ventana de Control del Nivel del Agua | 10. Sugerencias de Temperatura Según el Tipo de Tela |
| | 11. Talón de Apoyo |

CARACTERÍSTICAS

- **SPRAY MIST®** – Produce un fino rocío para humedecer áreas escogidas. Se controla mediante un gatillo.
- **Dial de Temperatura** – Controla el nivel emisión de calor de la plancha. Ajuste el dial según las necesidades de planchado. Para usar una temperatura baja, gire el dial y colóquelo en el primer punto. Para usar una temperatura media, gire el dial y colóquelo en el segundo conjunto de puntos. Para temperaturas más altas, gire el dial y colóquelo en el tercer conjunto de puntos. (*Observe la Guía de Planchado*)
- **Cable con Pivote** – Con soporte permite al cable moverse de arriba a abajo y evita que el cable se arrastre por sobre la tela. Con anillo flexible para proteger al cable contra rasgaduras y desgarres
- **Suela de Planchado** – Posee un canal a todo lo largo del borde de la plancha, para planchar con más comodidad por debajo de los botones de camisas o blusas.
- **Acabado Antiadherente** – El acabado antiadherente de la suela evita que las telas y los residuos de almidón se peguen.
- **Cubierta Deslizable del Tanque de Agua** – Evita que polvo y otras materias extrañas entren al tanque de agua. También evita que se derrame el agua durante el planchando.
- **Espacio para Enredar el Cable** – Para almacenar el cable rápida y convenientemente.
- **Apagado Automático** – Apaga la plancha después de 15 minutos de funcionamiento.
- **Botón de Reconexión de Energía** – Presione para reconectar.

FUNCIÓN DE APAGADO AUTOMÁTICO

Cuando la plancha está conectada a un tomacorriente de 120 voltios, la luz indicadora roja, señala que la plancha está encendida. Si la plancha se deja parada sobre su talón de apoyo durante 15 minutos, la plancha dejará de calentarse. La señal de luz se extinguirá para indicar que esta se ha apagado automáticamente y que permanecerá así hasta que la plancha sea desconectada o encendida nuevamente.

Para reencender la plancha: Para encender la plancha después de que esta se ha apagado automáticamente, por favor presione el botón rojo de reiniciado.

PRECAUCIÓN: NO USE LA FUNCIÓN DE APAGADO AUTOMÁTICO COMO UN SUBSTITUTO PARA APAGAR Y DESCONECTAR LA PLANCHA CUANDO ESTA NO SE ENCUENTRA EN USO.

ANTES DE USAR POR PRIMERA VEZ

Para asegurarse de no manchar la tela durante el primer uso de la plancha, es aconsejable hacer pasar un poco de agua a través de las ventilas de vapor de la suela de planchado para eliminar cualesquier residuo proveniente del proceso de manufactura.

Para hacer esto:

1. Coloque el control de ajuste de vapor en steam (on – encendido)
2. Llene el tanque de agua de la plancha a su nivel máximo.
3. Coloque la perilla del selector de temperatura en su posición más alta. Caliente la plancha durante 2 minutos.
4. Genere vapor durante 2 minutos mientras dirige las ventilas de vapor lejos de la superficie de planchado.
5. Pase la plancha sobre una tela húmeda o sobre una toalla de papel para limpiarla.

SELECCIONANDO LA TEMPERATURA CORRECTA SEGÚN LA TELA

Cuando planche, use el nivel de temperatura y la cantidad de vapor recomendados para el tipo de tela que va a planchar. Las prendas que requieren bajas temperaturas y poco vapor, deben ser planchadas primero. Esto le ayudará a evitar dañar las prendas con una plancha demasiado caliente. Si usted no está seguro de los materiales contenidos en una prenda, comience con una temperatura baja y poco vapor. Pruebe la plancha sobre una área interior de la prenda, tal como una costura o un revés. Gradualmente incremente la temperatura y la cantidad de vapor hasta que las arrugas desaparezcan sin dañar la tela.

Cuando cambie la temperatura de una alta a una baja (*Ejemplo: Mover el selector de temperatura del máximo al mínimo*), Espere aproximadamente 5 minutos para que la temperatura de la plancha disminuya. Los siguientes cuadros fueron diseñados para ayudarle a seleccionar la temperatura y el método más adecuado para la tela que planea planchar. Revise las etiquetas en las prendas y siga las recomendaciones del fabricante de la prenda. Para planchar telas que tengan una mezcla de diferentes materiales, use la temperatura que se indica para el material que requiera el nivel más bajo. Por ejemplo: 65% polyester, 35% algodón , planche esta prenda en el nivel más bajo.

GUÍA DE TEMPERATURA Y VAPOR

(Todos los Modelos Excepto las Planchas de Vapor Variable)

TELA	GUÍA DE VAPOR	RECOMENDACIONES DE PLANCHADO
Acetato-Nylon	Vapor Seco	Plancha seca sobre el reverso mientras esté húmeda.
Acrílicos-Sedas	Vapor Seco	Plancha seca sobre el reverso mientras esté húmeda. Las telas de acrílico pueden ser planchadas con vapor si así lo indica el fabricante.
Polyester	Vapor Seco	Plancha seca mientras esté húmeda o use el rocío mientras plancha. Planche las telas de rayón sobre el reverso. Planche con vapor si así lo indica el fabricante.
Lanas	Vapor Seco	Planche con vapor en el reverso o planche el lado anverso, colocando una tela entre la plancha y la prenda.
Algodones	Vapor Seco	Planche mientras esté húmeda o use el rocío mientras plancha. Planche telas oscuras sobre el reverso para evitar que la tela brille.
Lino-Blancos	Vapor Seco	Planche mientras esté húmeda o use el rocío mientras plancha. Planche cada sección hasta que esté completamente seca. Planche las telas oscuras sobre el reverso y los blancos de mesa por el anverso.

GUÍA DE TEMPERATURA Y CANTIDAD DE VAPOR

(Modelos de Planchas de Vapor Variable Únicamente)

TELA	GUÍA DE VAPOR	RECOMENDACIONES DE PLANCHADO
Acetato-Nylon	Min	Plancha seca sobre el reverso mientras esté húmeda.
Acrílicos-Sedas	Min	Plancha seca sobre el reverso mientras esté húmeda. Las telas de acrílico pueden ser planchadas con vapor si así lo indica el fabricante.
Polyester	●	Plancha con vapor mientras esté húmeda o use el rocío mientras plancha. Planche las telas de rayón sobre el reverso. Planche con vapor si así lo indica el fabricante.
Lanas	● ●	Planche con vapor con la prenda al revés o planche el lado anverso, colocando una tela entre la plancha y la prenda.
Algodones	MAX ● ● ●	Plancha con vapor mientras esté húmeda o use el rocío mientras plancha. Planche telas oscuras sobre el reverso para evitar que la tela brille.
Lino/Blancos	Max	Plancha con vapor mientras esté húmeda o use el rocío mientras plancha. Planche cada sección hasta que esté completamente seca. Planche las telas oscuras sobre el reverso y los blancos de mesa por el anverso.

ACERCA DEL AGUA

Esta plancha está especialmente diseñada para usar agua del grifo. En áreas del país donde el agua sea muy "dura" se recomienda usar agua destilada en su plancha. Si usted usa agua destilada en su plancha, debe llenar periódicamente el tanque de agua con agua del grifo, para mantener su plancha acondicionada. NO USE agua que ha sido tratada por un sistema casero de filtrado, ya que este tipo de agua contiene minerales que pueden ser nocivos para la plancha.

USANDO LA PLANCHA COMO UNA PLANCHA SECA

La plancha puede planchar en seco con o sin agua en el tanque. Evite tener el tanque muy lleno de agua mientras esté planchando en seco.

- Deslice el control de temperatura a la posición MIN antes de conectar el cable eléctrico en un tomacorriente de 120 voltios.
- Deslice el botón que está en la parte superior a la posición no-steam (*sin vapor*) y mueva el control de temperatura al nivel que sea el adecuado para la tela que planchará.
- Si usted empieza a planchar con una plancha fría, permita que ésta se caliente colocándola en posición vertical sobre su talón de descanso. Si la plancha ya está caliente, asegúrese de bajar o subir su temperatura, dependiendo del nivel de calor que requiera el tipo de tela que planchará. Empiece a planchar sobre una área no expuesta de la prenda, tal como una costura, o el revés de la prenda.

USANDO LA PLANCHA COMO UNA PLANCHA DE VAPOR

Cuando use la plancha como una plancha de vapor, asegúrese de que el selector de temperatura esté colocado en el rango de STEAM (vapor) para evitar que el agua se derrame sobre la prenda y la manche.

- Deslice en control de temperatura a la posición MIN. Deslice el botón que está en la parte de arriba a la posición steam (vapor). (Vea las instrucciones de PARA LLENAR EL TANQUE DE AGUA).
- Conecte el cable eléctrico en un tomacorriente de 120 voltios.
- Mueva el control de temperatura al nivel que sea el adecuado para la tela que planchará. Permita que la plancha se caliente por 2 minutos para que alcance la temperatura deseada.
- Después de que la plancha haya alcanzado la temperatura deseada, retírela de su talón de descanso y úsela. Si la unidad no genera vapor al presionar el botón para vapor, golpee ligeramente la suela de planchado contra la tabla de planchado. Esto ayudará a accionar la generación de vapor.
- Si al planchar con vapor, el control de temperatura accidentalmente se mueve a una posición más baja, puede aparecer agua en la suela de planchado, indicando que la temperatura en la plancha se encuentra por debajo del nivel de vapor. Si esto ocurre, coloque nuevamente el control de temperatura en el nivel deseado. Coloque la plancha sobre su base durante 1 minuto y permita que alcance la temperatura requerida. Si el flujo de vapor de su plancha empieza a disminuir y usted desea continuar planchando con vapor, usted puede rellenar el tanque de agua, sin necesidad de enfriarla. Desconecte la plancha. Siga las instrucciones que se indican en PARA LLENAR EL TANQUE DE AGUA. Agregue agua sólo hasta la línea indica del nivel máximo para prevenir derrames.

PARA LLENAR EL TANQUE DE AGUA

Siempre desconecte la plancha antes de llenarla. Coloque la plancha en su talón de descanso.

El orificio para llenar con agua está localizado debajo de la tapa a prueba de derrames. Mantenga la plancha con la tapa abierta y llene hasta donde la línea indica el nivel máximo. Cierre la tapa a prueba de derrames. Asegúrese de que la tapa esté correctamente sellada. Limpie el exterior de la unidad para secar cualquier derrame.

PARA VACIAR EL TANQUE DE AGUA

Deslice el selector de temperatura a la posición MIN. Desconecte la plancha del tomacorriente. Abra la tapa a prueba de derrames. Sosteniendo la plancha sobre el lavabo, apunte el mango de la plancha hacia abajo y manténgala en esta posición hasta que deje de salir agua del orificio. Agite ligeramente la plancha para dejar salir las gotas que se hayan quedado atrapadas; el calor de la plancha secará el interior de la plancha. Permita que la plancha se enfríe sobre su talón de descanso.

IMPORTANTE: SUNBEAM NO RECOMIENDA ALMACENAR LA PLANCHA CON AGUA EN EL TANQUE.

CUIDADO DE SU PLANCHA SUNBEAM

- Evite planchar por sobre cierres, rivetes de jeans, etc. ya que estos pueden arañar la suela de planchado.
- PARA MODELOS CON SUELA DE PLANCHADO ANTI-ADHERENTE, lave las manchas de agua, depósitos de calcio y almidón de la suela de la siguiente manera: permita que la plancha se enfríe y limpie utilizando una toalla suave con una solución poco concentrada de vinagre (*una cucharada de vinagre en una taza de agua*). NO UTILIZE ESPONJAS DE ALAMBRE O DISOLVENTES ABRASIVOS Y/O QUÍMICOS YA QUE ESTOS PODRÍAN DAÑAR EL ACABADO.

NOTA: Los rallones sobre las suelas de planchado anti-adherentes no afectan el desempeño de la plancha.

MANTENIMIENTO

No son necesarias medidas de cuidado adicionales a las señaladas en este instructivo.

Sin embargo, a continuación encontrará un listado de preguntas frecuentemente realizadas y sus respectivas respuestas. Si por alguna razón su plancha Sunbeam continúa mostrando alguno de estos síntomas, o requiere reparación por cualesquier otra razón, no intente repararla por sí mismo/a. Contacte a su distribuidor Sunbeam más cercano.

PREGUNTAS Y RESPUESTAS

SÍNTOMAS/POSIBLES CAUSAS Y SOLUCIONES

La plancha no caliente

- La plancha solamente debe conectarse en un tomacorriente de 120 voltios.
- El control deslizable debe de colocarse en la temperatura deseada.
- La función de apagado automático puede estar activada. Presione el botón de reiniciado para prender nuevamente la plancha.

La plancha no genera vapor

- El tanque de agua puede estar vacío. Agregue agua.
- Asegúrese de que el botón para vapor esté completamente presionado. (*En modelos de vapor variable, el control deslizable debe estar en una de las tres posiciones de vapor*).
- Use sólo el nivel del temperatura necesario para planchar Polyester o una temperatura aún más alta.
- No utilice la función de vapor sino hasta que la temperatura escogida haya sido alcanzada. Asegúrese de que la plancha se haya calentado durante por lo menos 1-1/2 a 2 minutos.
- Golpee ligeramente la suela de planchado contra la superficie de planchado para remover cualquier obstrucción presente en la válvula de vapor.
- Your iron may spit or leak water from the steam vents if you try to get steam when the temperature setting is too low. Use only temperature settings in steam range shown on the Temperature and Steam Guide.

La plancha escupe agua o derrama agua a través de las ventilas de vapor

- Asegúrese de que la plancha haya alcanzado la temperatura seleccionada en el dial antes de planchar. Precaliente la placha de entre 1-1/2 a 2 minutos.
- Si la plancha escurre mientras está en posición OFF (apagada) o mientras se está planchando en SECO, asegúrese de que el control de vapor esté colocado en la posición de NO STEAM (sin vapor).
- La plancha puede estar demasiado llena. Apáguela. Siga las instrucciones para vaciar el agua del tanque. Saque un poco de agua. Permita que la plancha se enfríe, y luego seque. Conecte la plancha en el tomacorriente y caliente nuevamente. Después de 1-1/2 minutos, coloque el dial en "steam" (vapor). Siga las instrucciones de USANDO LA PLANCHA COMO UNA PLANCHA DE VAPOR.

NOTA: Siempre coloque el control del vapor en la posición de NO STEAM (sin vapor) a menos de que la unidad esté lista para planchar al vapor.

ALMACENAMIENTO DE LA PLANCHA

- Cuando haya terminado de planchar, coloque la guía de temperaturas en la posición MIN y presione o deslice el botón a la posición de OFF (apagado).
- Saque el cordón del tomacorriente sin tirar del cable. Tome el enchufe y desconecte.
- Vacíe el tanque de agua DESPUÉS DE CADA USO mientras la plancha aún esté CALIENTE.
- Permita que la plancha SE ENFRIE POR COMPLETO antes de guardarla. Enrolle el cordón alrededor del talón de descanso. NO ENROLLE EL CORDÓN AJUSTADAMENTE YA QUE ESTO PUEDE DAÑARLO.
- Siempre guarde la plancha sobre su TALÓN DE DESCANSO con la perrilla del control de temperatura en la posición MIN. NO guarde la plancha en su empaque, ya que cualquier residuo de humedad puede producir manchas en la suela de planchado.

GARANTÍA LIMITADA DE 2 AÑOS

Sunbeam Products, Inc. ("Sunbeam") garantiza que durante un período de 2 años a partir de la fecha de compra, este producto estará libre de defectos de material y mano de obra. Sunbeam, a su discreción, reparará o cambiará este producto o cualquier componente del mismo que se halle defectuoso dentro del período de garantía. El reemplazo se hará con un producto o componente nuevo o remanufacturado. Si el producto ya no está disponible, el reemplazo se realizará con un producto similar de igual o mayor valor. Esta es su garantía exclusiva.

Esta garantía es válida para el comprador original a partir de la fecha de compra y no es transferible. Los distribuidores o Centros de Servicio Sunbeam no tienen el derecho de alterar, modificar o de manera alguna cambiar los términos y condiciones de esta garantía.

Esta garantía no cubre el desgaste como resultado del uso normal o daño de las partes como consecuencia del uso negligente o mal uso del producto, utilización de un voltaje o corriente inadecuados, uso contrario a las instrucciones de uso, desmontaje, reparación o alteración por cualesquier agente ajeno a Sunbeam o a sus Centros de Servicio Autorizados. Mas aún, la garantía no cubre actos de Dios, tales como incendios, inundación, huracanes y tornados.

Sunbeam no es responsable por daños ocurridos como resultado de la violación de los términos de la garantía. Excepto hasta donde lo prohíben las leyes aplicables, cualquier garantía de comercialización o aptitud tiene una duración limitada a los términos de la garantía antes detallada. Algunos estados, jurisdicciones o provincias no permiten la exclusión o limitación de los daños consecuentes o incidentales o limitaciones respecto de la duración de la garantía, de modo que las antes citadas limitaciones y exclusiones pueden no aplicar a Ud. Esta garantía le brinda derechos legales específicos, además de otros derechos que Ud. pueda tener según sean las leyes de su estado o provincia.

Como Obtener Servicio de Garantía

Contacte a su distribuidor Sunbeam autorizado.

NO REGRESE ESTE PRODUCTO AL LUGAR DE COMPRA

PRECAUÇÕES IMPORTANTES

Ao usar o ferro, sempre se deve tomar precauções de segurança, incluídas as seguintes:

LEIA TODAS AS INSTRUÇÕES ANTES DE USÁ-LO

1. Utilize o ferro somente para seu uso indicado.
2. Para proteger-se contra o risco de descarga elétrica, não submerja o ferro em água ou outros líquidos.
3. O ferro sempre deve estar na posição de "OFF" (desligado) antes de ligá-lo ou desligá-lo do tomacorrente. Nunca puxe do fio para desligar o ferro do tomacorrente; para desligar o ferro, segure e puxe da tomada.
4. Não permita que o fio encoste em superfícies quentes. Deixe que o ferro se esfrie completamente antes de guardá-lo. Enrole sem apertar o fio ao redor do ferro para guardá-lo.
5. Sempre desligue o ferro do tomacorrente para enchê-lo com água, para esvaziar a água e quando não esteja em uso.
6. Não faça funcionar o ferro com o fio danificado, nem se deixou cair o ferro ou se este sofre dano. Para evitar o risco de descarga elétrica não desarme o ferro. Leve-o a um Centro de Serviço Autorizado para que seja examinado e/ou reparado. Uma reensamblagem incorreta do ferro pode causar risco de descarga elétrica ao usá-lo.
7. Qualquer aparelho elétrico usado por crianças, ou perto delas, requer uma vigilância cuidadosa. Não deixe o ferro sozinho enquanto estiver ligado ou sobre uma tábua de passar.
8. O contato com peças metálicas quentes, água quente ou vapor pode causar queimaduras. Tenha cuidado quando inverte a posição de um ferro de vapor já que pode conter água quente no depósito.
9. **Se o ferro não funciona normalmente, desligue-o da fonte de alimentação elétrica e leve-o a um centro de serviço autorizado para que seja examinado.**

INSTRUÇÕES ESPECIAIS

1. Para evitar sobrecarregar o circuito, não faça funcionar outro aparelho de alta potência no mesmo circuito.
2. Se é absolutamente necessário usar um fio de extensão, se deve usar um fio de 10 amperios. Os fios de amperagem menor podem se sobre-esquentar. Assegure-se de que o fio não esteja colocado onde possa ser pisado ou ocasionar um tropeço.

ESTE APARELHO É SOMENTE PARA USO DOMÉSTICO

GUARDE ESTAS INSTRUÇÕES

CONHEÇA SEU FERRO SUNBEAM® DE VAPOR/ROCÍO/SECO

1. Dial de Temperatura para Diferentes Classes de Tecido
2. Indicador de Energia/Botão de reiniciado
3. Ranhura Para Enrolar o Fio
4. Placa de Passar anti-adherente; 21 Conduitos de Vapor
5. Janela de Controle do Nível da Água
6. Botão SPRAY MIST®
7. Orifício Para encher o depósito de Água
8. Controle Para Desligado/Ligado de Vapor
9. Gatilho Para Rocío SPRAY MIST®
10. Sugerências de Temperatura Segundo o Tipo de Tecido
11. Parador

CARACTERÍSTICAS:

- **SPRAY MIST®** – Proporciona um fino spray de água a fim de umedecer o tecido os tecidos. É controlado por meio de um gatilho.
- **Indicador de Temperatura** – Controla o nível emissão de calor do ferro. Ajusta o botão indicador segundo as necessidades de passar a ferro. Para usar uma temperatura baixa, gire o botão e coloque-o no primeiro ponto. Para usar uma temperatura média, gire o dial e coloque-o no segundo conjunto de pontos. Para temperaturas mais altas, gire o botão e coloque-o no terceiro conjunto de pontos. (*Observe a Guia de Passar a Ferro*)
- **Fio com Giro de 360°** – Não Se Enrosca: Mantém o fio de alimentação elétrica fora do tecido e onde não estorva. O anel flexível protege o fio para não se queime ou estrague.
- **Sola de Passar** – Conta com encaixe ao seu redor todo, para passar o vapor facilmente por embaixo dos botões de camisas e blusas.
- **Superfície Anti-Adherente** – Evita que os resíduos de amido e os tecidos se juntem à base do ferro, o qual facilita sua limpeza.
- **Proteção Deslizável do Depósito de Água** – Evita que a poeira e outras matérias estranhas entrem ao depósito de água. Também evita que se derrame a água enquanto passa a ferro.
- **Espaço para Enrolar o Fio** – Para armazenar o fio rápido e convenientemente.
- **Desligado Automático** – Desligado automático após ter permanecido ligado durante 15 minutos.
- **Botão de Reconexão de Energia** – Pressione para re-conectar.

FUNÇÃO DE DESLIGADO AUTOMÁTICO

Quando o ferro estiver ligado a uma tomada de 120 voltios, a luz indicadora vermelha, diz que o ferro está ligado. Se o ferro estiver de pé sobre sua base de apoio durante 15 minutos, o ferro deixará de esquentar. O sinal de luz se extinguirá para indicar que desligou-se automaticamente e que permanecerá assim até que o ferro seja desligado ou ligado novamente.

PARA LIGAR NOVAMENTE O FERRO: Para ligar o ferro após de que este tenha se desligado automaticamente, por favor pressione o botão vermelho de reiniciado.

ADVERTÊNCIA: A função de desligado automático é uma função de segurança, mas não um meio recomendado para desligar o ferro.

ANTES DE USAR PELA PRIMEIRA VEZ

Para assegurar-se de não manchar o tecido durante o primeiro uso do ferro, é aconselhável por um pouco de água através dos orifícios de vapor da sola do ferro para eliminar qualquer resíduo que provenha do processo de manufatura.

Para fazer isto:

1. Coloque o dial de vapor na posição steam (on – ligado)
2. Encha o reservatório de água com água de cano até a linha indicadora de máximo.
3. Coloque o dial de Seleção de Temperatura ao máximo e deixe aquecer o ferro durante 2 minutos.
4. Gere vapor durante 2 minutos enquanto dirige os orifícios de vapor longe da superfície onde for passar.
5. Passe o ferro sobre um pano úmido ou sobre uma toalha de papel para limpá-lo.

SELECIONANDO A TEMPERATURA CORRETA SEGUNDO O TECIDO

Você deve começar passando aquelas roupas que requeiram de uma temperatura baixa (*p.ex., sedas e sintéticos*) para evitar estragá-las com um ferro quente demais. Se não está seguro do tipo do tecido da peça de roupa, faça o teste sobre uma área pequena. Experimente sobre uma costura ou avesso, antes de passar uma área visível. Comece com uma temperatura baixa e gradativamente incremente-a até encontrar a adequada.

Quando mude a temperatura de uma alta a uma baixa (*Exemplo: Mexer o seletor de temperatura do máximo ao mínimo*), espere aproximadamente 5 minutos para que a temperatura do ferro diminua. Os seguintes quadros foram desenhados para ajudar-lhe a selecionar a temperatura e o método mais adequado para o tecido que for passar. Revise as etiquetas nas prendas e siga as recomendações do fabricante da prenda. Para passar tecidos que tenham uma mistura de diferentes materiais, use a temperatura que se indica para o material que requeira o nível mais baixo. Por exemplo: 65% polyester, 35% algodão, passe esta prenda no nível mais baixo.

GUIA DE TEMPERATURA E VAPOR

(Todos os Modelos Exceto os Ferros de Vapor Variável)

TECIDO	GUIA DE VAPOR	RECOMENDAÇÕES DE PASSADO
Acetato-Nylon	Vapor Seco	Ferro seco sobre o avesso enquanto estiver úmido.
Acrílicos-Sedas	Vapor Seco	Ferro seco sobre o avesso enquanto estiver úmido. Os tecidos de acrílico podem ser passados com vapor se assim indica o fabricante.
Polyester	Vapor Seco	Ferro seco enquanto estiver úmido ou use o spray enquanto passa. Passe os tecidos de seda artificial sobre o avesso. Passe com vapor se assim indica o fabricante.
Lãs	Vapor Seco	Passe com vapor no avesso ou passe o lado inverso, colocando um pano entre o ferro e a prenda.
Algodões	Vapor Seco	Passe enquanto estiver úmido ou use o spray enquanto passa. Passe tecidos escuros sobre o avesso para evitar que brilhe.
Linho-Brancos	Vapor Seco	Passe enquanto estiver úmido ou use o spray enquanto passa. Passe cada seção até que fique completamente seco. Passe os tecidos escuros sobre o avesso e os brancos de mesa pelo avesso.

GUIA DE TEMPERATURA E VAPOR

(Modelos de Ferros de Vapor Variável Unicamente)

TECIDO	GUIA DE VAPOR	RECOMENDAÇÕES DE PASSADO
Acetato-Nylon	Min	Ferro seco sobre o avesso enquanto estiver úmido.
Acrílicos-Sedas	Min	Ferro seco sobre o avesso enquanto estiver úmido. Os tecidos de acrílico podem ser passados com vapor se assim indica o fabricante.
Polyester	●	Ferro com vapor enquanto estiver úmido ou use o spray enquanto passa. Passe os tecidos de seda artificial sobre o avesso. Passe com vapor se assim indica o fabricante.
Lanas	● ●	Passe com vapor no avesso ou passe o lado inverso, colocando um pano entre o ferro e a prenda.
Algodones	MAX ● ● ●	Passe com vapor enquanto estiver úmido ou use o spray enquanto passa. Passe tecidos escuros sobre o avesso para evitar que brilhe.
Lino-Brancos	Max	Passe com vapor enquanto estiver úmido ou use o spray enquanto passa. Passe cada seção até que fique completamente seco. Passe os tecidos escuros sobre o avesso e os brancos de mesa pelo avesso.

A RESPEITO DA ÁGUA

Embora este ferro tenha sido desenhado para usar-se com água da torneira, a água de torneira muito dura, desmehora o rendimento do ferro. Se a água na sua localidade é muito dura, Sunbeam recomenda que use água da torneira na primeira vez e logo considere usar água desmineralizada ou água destilada para os usos sub-seguintes. No entanto, deve usar água da torneira uma vez ao mês para obter um rendimento ótimo do ferro a vapor. **NÃO USE** água que tenha passado através de um sistema residencial para suavizá-la. Este tipo de água contem minerais que diminui o rendimento e encurta a vida útil do ferro.

USANDO O FERRO COMO UM FERRO SECO

O ferro pode passar em seco com ou sem água no depósito. Evite ter o depósito muito cheio de água enquanto estiver passando em seco.

- Deslize o controle da temperatura à posição MIN antes de ligar o cabo elétrico num tomacorrente de 120 voltios.
- Deslize o botão que está na parte superior à posição “no-steam” (sem vapor) e mexa o controle de temperatura ao nível que seja o adequado para o tecido que vai passar.
- Se você começa a passar com um ferro frio, permita que este se esquite colocando-o na posição vertical sobre sua base de descanso. Se o ferro já estiver quente, assegure-se de baixar ou subir sua temperatura, dependendo do nível de calor que requeira o tipo de tecido que vai passar. Comece a passar sobre uma área não exposta da prenda, como uma costura ou o avesso da prenda.

USANDO O FERRO COMO UM FERRO DE VAPOR

Quando use o ferro como um ferro de vapor, assegure-se de que o seletor de temperatura esteja colocado na posição de STEAM (vapor) para evitar que a água se derrame sobre a prenda e possa manchá-la.

- Deslize o controle de temperatura à posição MIN. Deslize o botão que está na parte superior à posição steam (vapor). (Veja as instruções de PARA ENCHER O DEPÓSITO DE ÁGUA).
- Ligue o fio elétrico num tomacorrente de 120 voltios.
- Mexa o controle de temperatura ao nível que seja o adequado para o tecido que vai passar. Permita que o ferro se esquite por 2 minutos para que alcance a temperatura desejada.
- Após ter alcançado a temperatura desejada, retire-o de sua base de descanso e use-o. Se a unidade não gera vapor ao pressionar o botão para vapor, bata ligeiramente a sola do ferro contra a tábua de passar. Isto lhe ajudará acionar a geração de vapor.
- Se ao passar com vapor, o controle de temperatura acidentalmente se mexe a uma posição mais baixa, pode aparecer água na sola do ferro, indicando que a temperatura se encontra abaixo do nível de vapor. Se isto ocorre, coloque novamente o controle de temperatura no nível desejado. Coloque o ferro sobre sua base durante 1 minuto e permita que alcance a temperatura requerida. Se o fluxo de vapor de seu ferro começa a diminuir e você deseja continuar passando com vapor, você pode encher novamente o depósito de água, sem necessidade de esfriá-lo. Desligue o ferro. Siga as instruções que se indicam em PARA ENCHER O DEPÓSITO DE ÁGUA. Agregue água somente até a linha que indica o nível máximo para prever derrames.

TO FILL THE WATER TANK

Always unplug the iron before filling. Set iron on its heel rest.

The water fill opening is located underneath the spill-proof cap. Hold the iron with the cap open and fill to maximum fill line. Close the spill-proof cap on the iron. Be sure the cap is fully sealed. Wipe the exterior of the unit to dry off any spillage.

PARA VAZIAR O DEPÓSITO DE ÁGUA

Deslize o seletor de temperatura à posição MIN. Desligue o ferro do tomacorrente. Abra a tampa a prova de derrames. Mantenha o ferro sobre o lavabo, coloque-o para baixo e mantenha nesta posição até que deixe de sair água do orifício. Agite ligeiramente o ferro para deixar sair as gotas que tenham ficado atrapadas; o calor secará o interior do ferro. Permita que o ferro se esfrie sobre sua base de descanso.

IMPORTANTE: SUNBEAM NÃO RECOMENDA ARMAZENAR O FERRO COM ÁGUA NO DEPÓSITO.

CUIDADO DE SEU FERRO SUNBEAM

- Evite passar sobre zíper, rivetes de jeans, etc. já que estes podem arranhar a sola do ferro.
- PARA MODELOS COM SOLA DE PASSAR ANTI-ADERENTE, lave as manchas de água, depósitos de cálcio e amido da sola da seguinte maneira: permita que o ferro se esfrie e limpe utilizando uma toalha suave com uma solução pouco concentrada de vinagre (*uma colher de vinagre numa xícara de água*). NÃO UTILIZE ESPONJAS DE ARAME OU DISSOLVENTES ABRASIVOS E/OU QUÍMICOS, JÁ QUE ESTES PODERIAM DANIFICAR O ACABAMENTO.

NOTA: Os riscos sobre as solas do ferro anti-aderentes não afetam o desempenho do mesmo.

MANUTENÇÃO

Não são necessárias medidas de cuidado adicionais às colocadas neste instrutivo.

No entanto, a continuação encontrará uma listagem de perguntas freqüentemente realizadas e suas respectivas respostas. Se por alguma razão seu ferro Sunbeam continua mostrando algum destes sintomas, ou requer reparação por qualquer outra razão, não tente consertá-lo por si mesmo/a. Contate seu distribuidor Sunbeam mais próximo.

PERGUNTAS E RESPOSTAS

SINTOMAS/POSSÍVEIS CAUSAS E SOLUÇÕES

O ferro não esquentava

- O ferro deve ser ligado somente num tomacorrente de 120 voltios.
- O controle deslizável deve colocar-se na temperatura desejada.
- A função de desligado automático pode estar ativada. Pressione o botão de reiniciado para ligar novamente o ferro.

O ferro não gera vapor

- O depósito de água pode estar vazio. Agregue água.
- Assegure-se de que o botão para vapor esteja completamente pressionado. (*Em modelos de vapor variável, o controle deslizável deve estar numa das três posições de vapor*).
- Use somente o nível de temperatura necessária para passar Polyester ou uma temperatura ainda mais alta.
- Não utilize a função de vapor até que a temperatura escolhida tenha sido alcançada. Assegure-se de que o ferro tenha se esquentado durante pelo menos 1-1/2 a 2 minutos.
- Bata ligeiramente a sola do ferro contra a superfície de passar para mexer qualquer obstrução presente na válvula de vapor.
- Your iron may spit or leak water from the steam vents if you try to get steam when the temperature setting is too low. Use only temperature settings in steam range shown on the Temperature and Steam Guide.

O ferro joga água ou derrama água através dos orifícios de vapor

- Assegure-se de que o ferro tenha alcançado a temperatura selecionada no indicador antes de passar. Pre-aqueça o ferro entre 1-1/2 a 2 minutos.
- Se o ferro escorre enquanto está na posição OFF (desligado) ou enquanto está passando em SECO, assegure-se de que o controle de vapor esteja colocado na posição de NO STEAM (sem vapor).
- O ferro pode estar cheio demais. Desligue-o. Siga as instruções para esvaziar a água do depósito. Elimine um pouco da água. Permita que o ferro se esfrie, e logo seque. Conecte o ferro no tomacorrente e esquite novamente. Após 1-1/2 minutos, coloque o indicador em "steam" (vapor). Siga as instruções de USANDO O FERRO COMO UM FERRO DE VAPOR.

NOTA: Sempre coloque o controle do vapor na posição de NO STEAM (sem vapor) a menos que a unidade esteja pronta para passar a vapor.

ARMAZENAMENTO DO FERRO

- Quando tenha terminado de passar, coloque a guia de temperatura na posição MIN e pressione ou deslize o botão à posição de OFF (desligado).
- Tire o cordão do tomacorrente sem puxar do cabo. Tome o encaixe e desligue-o.
- Esvazie o depósito de água APÓS CADA USO enquanto o ferro ainda estiver QUENTE.
- Permita que o ferro SE ESFRIE POR COMPLETO antes de guardá-lo. Enrole o cordão ao redor da base de descanso. NÃO ENROLE O CORDÃO APERTADAMENTE JÁ QUE ISTO PODE DANIFICÁ-LO.
- Sempre guarde o ferro sobre sua BASE DE DESCANSO com o botão do controle de temperatura na posição MIN. NÃO guarde o ferro em sua caixa, já que qualquer resíduo de umidade pode produzir manchas na sola do ferro.

GARANTIA LIMITADA DE 2 ANOS

Sunbeam Products, Inc. ("Sunbeam") garante que durante um período de 2 anos a partir da data da compra, este produto estará livre de defeitos de materiais e mão de obra. Sunbeam, ao seu critério, reparará ou trocará este produto ou qualquer componente do mesmo que se encontrar defeituoso dentro do período de garantia. A substituição se fará com um produto ou componente novo ou remanufaturado. Se o produto já não está disponível, a substituição se realizará com um produto similar do mesmo ou maior valor. Esta é sua garantia exclusiva.

Esta garantia é válida para o comprador original a partir da data da compra e não é transferível. Os distribuidores ou Centros de Serviço Sunbeam não tem o direito de alterar, modificar ou de maneira alguma mudar os termos e condições desta garantia.

Esta garantia não cobre o desgaste como resultado do uso normal ou dano das partes como consequência do uso negligente ou mal uso do produto, utilização de uma voltagem ou corrente inadequadas, uso contrário às instruções dadas, desmontagem, reparação ou alteração por qualquer agente alheio a Sunbeam ou a seus Centros de Serviço Autorizados. Mais ainda, a garantia não cobre atos de Deus, tais como incêndios, inundação, furacões e tornados.

Sunbeam não é responsável por danos ocorridos como resultado da violação dos termos da garantia. Exceto até onde o proibem as leis aplicáveis, qualquer garantia de comercialização ou aptidão tem uma duração limitada aos termos da garantia antes detalhada. Alguns estados, jurisdições ou províncias não permitem a exclusão ou limitação dos danos consequentes ou incidentais ou limitações respeito da duração da garantia, de modo que as antes citadas limitações e exclusões podem não aplicar. Esta garantia lhe dá direitos legais específicos, além de outros direitos que possa ter segundo sejam as leis de seu estado ou província.

Como Obter Serviço de Garantia

Contacte a seu distribuidor Sunbeam autorizado.

NÃO DEVOLVA ESTE PRODUTO AO LOCAL ONDE FOI COMPRADO

Free Manuals Download Website

<http://myh66.com>

<http://usermanuals.us>

<http://www.somanuals.com>

<http://www.4manuals.cc>

<http://www.manual-lib.com>

<http://www.404manual.com>

<http://www.luxmanual.com>

<http://aubethermostatmanual.com>

Golf course search by state

<http://golfingnear.com>

Email search by domain

<http://emailbydomain.com>

Auto manuals search

<http://auto.somanuals.com>

TV manuals search

<http://tv.somanuals.com>