

Sunbeam®

©2005 Sunbeam Products, Inc. All rights reserved.
SUNBEAM®, STEAM MASTER®, MOTION SMART®, SHOT OF STEAM® and SPRAY MIST®
are registered trademarks of Sunbeam Products, Inc.
DRIP FREE™ is a trademark of Sunbeam Products, Inc.
In Canada, imported and distributed by Sunbeam Corporation, Limited.
In the United States, distributed by Sunbeam Products, Inc., Boca Raton, Florida 33431
AMB:052305

©2005 Sunbeam Products, Inc. Tous droits réservés.
SUNBEAM®, STEAM MASTER®, MOTION SMART®, SHOT OF STEAM® et SPRAY MIST®
sont des marques déposées de Sunbeam Products, Inc.
DRIP FREE™ est une marque déposée de Sunbeam Products, Inc.
Au Canada, importés et distribués par Sunbeam Corporation, Limited.
Aux États-Unis, distribués par Sunbeam Products, Inc., Boca Raton, Florida 33431

©2005 Sunbeam Products, Inc. Todos los derechos reservados.
SUNBEAM®, STEAM MASTER®, MOTION SMART®, SHOT OF STEAM® y SPRAY MIST®
son marcas registradas de Sunbeam Products, Inc.
DRIP FREE™ es una marca comercial de Sunbeam Products, Inc.
En Canadá, importada y distribuida por Sunbeam Corporation, Limitada.
En los Estados Unidos, distribuida por Sunbeam Products, Inc., Boca Raton, Florida 33431

©2005 Sunbeam Products, Inc. Todos direitos reservados.
SUNBEAM®, STEAM MASTER®, MOTION SMART®, SHOT OF STEAM® e SPRAY MIST®
são marcas registradas da Sunbeam Products, Inc.
DRIP FREE™ é uma marca registrada da Sunbeam Products, Inc..
No Canada, importado e distribuido por Sunbeam Corporation, Limited.
Nos Estados Unidos, distribuido por Sunbeam Products, Inc., Boca Raton, Florida 33431

www.sunbeamhospitality.com

Sunbeam®

Instruction Manual **Steam Master® Irons**

Manuel d'Instructions **Fer à Repasser Steam Master®**

Manual de Instrucciones **Planchas Steam Master®**

Manual de Instruções **Ferros de Passar Steam Master®**

MODELS/MODÈLES 4211-099, 4215-099
MODELOS



www.sunbeamhospitality.com

P.N. 115498

IMPORTANT SAFEGUARDS

When using electrical appliances, basic safety precautions should always be followed including the following:

READ ALL INSTRUCTIONS BEFORE USE

- Use iron only for its intended use.
- To protect against risk of electric shock, do not immerse the iron in water or other liquids.
- The Fabric Select Dial and Steam Lever should always be turned to “O/Off” before plugging or unplugging from outlet. Never yank cord to disconnect from outlet; instead, grasp plug and pull to disconnect.
- Do not allow cord to touch hot surfaces. Let iron cool completely before putting away. Loop cord loosely around iron when storing.
- Always disconnect iron from electrical outlet when filling with water or emptying and when not in use.
- Do not operate iron with a damaged cord or if the iron has been dropped or damaged. To avoid the risk of electric shock, do not disassemble the iron. Take it to an authorized service center for examination and/or repair. Incorrect reassembly can cause a risk of electric shock when the iron is used.
- Close supervision is necessary for any appliance being used by or near children. Do not leave iron unattended while plugged in or turned on or on an ironing board.
- Burns can occur from touching hot metal parts, hot water or steam. Use caution when you turn a steam iron upside down – there may be hot water in the reservoir.
- If the iron is not operating normally, disconnect from the power supply and call your nearest Sunbeam Hospitality Distributor at 1-888-878-6232, extension 66598.
- Your SUNBEAM® iron is designed to rest on the heel rest. Do not leave the iron unattended. Do not set the iron on an unprotected surface, even if it is on its heel rest.

SPECIAL INSTRUCTIONS

- This is a 1200-Watt appliance. To avoid a circuit overload, do not operate another high wattage appliance on the same circuit.
- If an extension cord is absolutely necessary, a 15-ampere cord should be used. Cords rated for less amperage may overheat. Care should be taken to arrange the extension cord so that it cannot be pulled or tripped over.

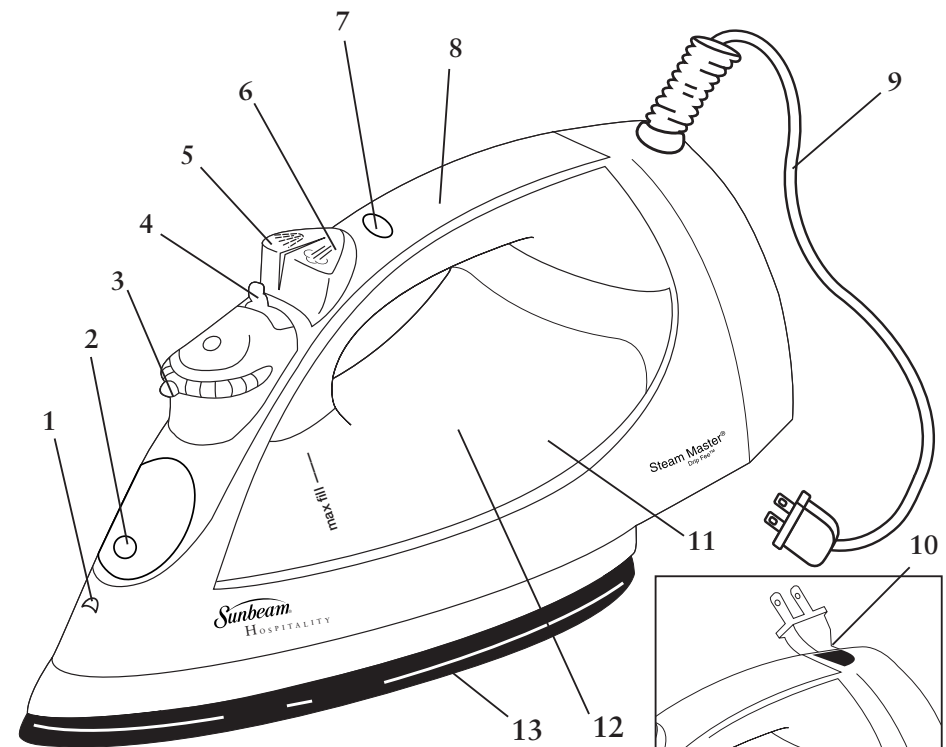
FOR PRODUCTS PURCHASED IN THE UNITED STATES AND CANADA

To reduce the risk of electrical shock, this appliance has a polarized plug (*one blade is wider than the other*). This plug fits a polarized outlet only one way; if the plug does not fit fully into the outlet, reverse the plug. If it still does not fit, contact a qualified electrician. Do not attempt to defeat this safety feature.

SAVE THESE INSTRUCTIONS

FEATURES OF YOUR STEAM MASTER® IRON

1. SPRAY MIST® Release
2. Covered Water Fill Hole
3. Fabric Select Dial
4. Steam / Self-Clean Lever
5. SPRAY MIST® Button
6. SHOT OF STEAM® / Vertical Steam Button (*Select Models Only*)
7. Power Indicator Light / MOTION SMART® Auto-Off Indicator
8. Soft Grip Handle
9. 360° Tangle-Free Swivel Cord (*Select Models Only*)
10. Retractable Cord (*Select Models Only*)
11. Anti-Calcium System (*Select Models Only*) – Inside Water Reservoir
12. See-Through Water Reservoir
13. Soleplate



TO FILL THE WATER RESERVOIR

1. Make sure the iron is unplugged. Set the Steam Lever to **○/Off (Dry)** and the Fabric Select Dial to OFF.
2. Lift the Water Fill Hole Cover.
3. Fill water cup with water. Pour water into iron water reservoir. Do not fill water reservoir beyond maximum fill level.

WARNING: To prevent the risk of burns, be careful when filling a hot iron with water. Hot metal parts, hot water and steam can cause injuries.

DRY IRONING

1. Make sure the Steam Lever is turned to the **○/Off (Dry)** setting.
2. Plug the cord into a 120-Volt AC outlet.
3. Turn the large Fabric Select Dial to the fabric setting you desire (*Silk or Synthetics*). Allow the iron to heat for 2 minutes. While the iron is heating, make sure it is sitting on its heel rest on a stable, protected surface.

NOTE: While the Steam Lever is turned to the **○/Off (Dry)** setting, you may still use the SHOT OF STEAM® or SPRAY MIST® feature. Please make sure the water reservoir is 1/4 full of water.

TIP: Refer to the Ironing Guide (*on Page 8*) for the recommended setting for your fabric.

STEAM IRONING

1. Follow the instructions for “Filling the Water Reservoir”.
2. Plug the cord into a 120-Volt AC outlet.
3. Turn the large Fabric Select Dial to the fabric setting you desire (*Synthetic, Silk, Linen, Cotton or Wool*). Allow the iron to heat for 2 minutes. While the iron is heating, make sure it is sitting on its heel rest on a stable, protected surface.
4. Allow the iron to heat for 2 minutes, and then turn the Steam lever to the appropriate setting.

TIP: Refer to the Ironing Guide (*on Page 8*) for the recommended setting for your fabric.

IMPORTANT: When not ironing, always set the Steam Lever to **○/Off (Dry)** and the Fabric Select Dial to OFF.

USING THE IRON’S SPECIAL FEATURES

SPRAY MIST® FEATURE

The SPRAY MIST® feature is a powerful water spray mist that dampens the fabric to aid in removing wrinkles from heavy fabrics and for setting creases.

To use the SPRAY MIST® Feature:

Press the SPRAY MIST® button firmly.

SHOT OF STEAM® FEATURE

The SHOT OF STEAM® feature provides an extra burst of steam for deep penetration of stubborn wrinkles. You can use this feature while Dry or Steam ironing, but the water reservoir must be at least 1/4 full of water.

To use the SHOT OF STEAM® Feature:

Place the iron on top of the wrinkle and press the SHOT OF STEAM® button each time you would like an extra burst of steam. The SHOT OF STEAM® feature may be used continuously with just a short pause between shots.

VERTICAL STEAM (*Select Models Only*)

The vertical steam feature allows your iron to function as a garment steamer.

TIP: When using the vertical steam on clothing, hang the clothing on a clothes hanger for best results. Hanging curtains and drapes may also be steamed.

To use Vertical Steam:

1. Make sure that the iron has heated up (2 minutes).
2. Hold the iron in a vertical position, with the iron close to but not touching the fabric you want to steam.
3. With your other hand, pull the fabric tight.
4. Press the SHOT OF STEAM® button for approximately 3-second intervals as you move the iron across the wrinkled area.

WARNING: To prevent the risk of burns, keep your hand away from the area being steamed.

WARNING: DO NOT steam garments while wearing them; this may result in injuries.

PATENTED MOTION SMART® AUTO-OFF FEATURE

When the iron is plugged in, the Power Indicator will light steadily, indicating that there is power to the iron.

If you leave the iron:

- in a horizontal position without moving it, or accidentally tip the iron over, it will automatically stop heating after 30 seconds. The Power Indicator will blink to let you know that the iron has stopped heating.
- in a vertical position (*on its heel rest*) without moving it, the iron will automatically turn off after 15 minutes. The Power Indicator will blink to let you know that the iron has stopped heating.

IMPORTANT: The Power Indicator will continue to blink until the iron is unplugged or reset.

To reset the iron:

Move the iron back and forth and allow it to reheat for 2 minutes. The indicator will stop blinking and the iron will start heating again.

WARNING: The patented MOTION SMART® Auto-Off is a safety feature, not a recommended means for turning your iron off. See “Caring for Your Iron After Use” (*on Page 6*) for information on turning off your iron and storing it safely between use.

ANTI-CALCIUM SYSTEM (*Select Models Only*)

The Anti-Calcium System is a permanent system located inside the water reservoir. This system removes calcium from the water and reduces calcium build-up on the soleplate.

RETRACTABLE CORD SECTION *(Select Models Only)*

1. When winding the cord, hold the plug with one hand, and press the winding button with the other hand. *(Failure to hold plug may cause plug to fly.)*
2. The cord reel is compact for multi-layer winding of the cord. In case cord is not fully rewound, pull out the cord and steer cord evenly on the reel.
3. In case the cord is not pulled out easily, pull cord firmly.
4. Select the amount of cord desired before plugging into an electrical outlet.
5. Do not allow children to use retractable cord feature as the cord may cause injury.

CARING FOR YOUR IRON AFTER USE

TURNING OFF YOUR IRON

1. Turn the Steam Lever to **O**/Off (Dry) and Fabric Select Dial to Off.
2. Unplug the iron from the power source.

WARNING: NEVER yank the power cord when unplugging the iron. This can damage the cord.

STORING YOUR IRON

1. Allow the iron to cool.
2. If you do not use your iron on a daily basis, empty the water reservoir after each use for a longer iron life. To do so, unplug the iron, turn the iron upside down, open the fill hole cover, and allow water to flow from the fill hole. Shake the iron gently to remove trapped water drops.
3. Loosely loop the power cord around the heel rest and store the iron on its heel rest.

IMPORTANT: Wrapping the cord around the iron too tightly can damage the cord.

TIP: When not ironing, always set the Steam Lever to **O**/Off (Dry) and the Fabric Select Dial to Off.

MAINTAINING YOUR STEAM MASTER® IRON

CLEANING THE SOLEPLATE

Clean the soleplate if starch or other residue accumulate.

To clean the Soleplate:

1. Allow the iron to cool and then wipe it with a soft, damp cloth.

WARNING: DO NOT use abrasive cleansers, scouring pads or vinegar to clean the soleplate. This will damage the finish.

2. Run the iron over an all-cotton cloth to remove any residue.

USING THE SELF-CLEANING FEATURE

You should use the Self-Cleaning feature once a month to maintain the optimal performance of your iron.

To use the Self-Cleaning feature:

1. Move the Steam Lever back and forth from **O**/Off (Dry) several times to remove debris and minerals from the Steam Valve. This keeps water flowing into the steam chamber.

MAINTENANCE

CLEANING THE ANTI-CALCIUM SYSTEM

The STEAM MASTER® iron houses an anti-calcium filter in the reservoir, which eliminates impurities from the water.

To prolong the efficiency of this filter:

1. Unplug the iron and allow it to cool.
2. Locate the water cup that accompanied the iron. Fill it with water to the Sunbeam logo in the top right corner. Add 1 teaspoon of salt to the water and fill the water reservoir with this solution.
3. Leave the solution in the water reservoir for 15 minutes, then empty it.
4. Fill the water reservoir a second time with the salt water solution and empty it again after 15 minutes.
5. Fill the tank with fresh water to rinse and empty.

The Anti-Calcium System should be cleaned approximately once a month.

IRONING TIPS

- Always read garment labels and follow the manufacturer's ironing instructions.
- Sort the articles to be ironed according to the type of fabric.
- You should first iron garments requiring low temperature (*e.g., silks and synthetics*) to avoid damaging them with an iron that is too hot.
- If you are unsure of the fabric content of the garment, test a small area, such as a seam or facing, before ironing a visible area. Start with a low temperature and gradually increase the heat to find the best setting.
- When changing the temperature from a high setting to a low setting, allow approximately 5 minutes for the lower temperature to be reached.
- When steam ironing, use long, slow passes over the fabric. This will allow the steam to penetrate the fabric while allowing the heat of the soleplate to dry out the moisture.
- To iron linens, turn garment inside out. Be careful not to use an iron that is too hot because the lining may melt or stick to the soleplate.
- To iron zippers, use an ironing cloth or make sure the zipper is closed and iron over the flap. Never iron directly over an unprotected zipper.
- Use the Ironing Guide (*on Page 8*) to select the best setting and method for the fabric you plan to iron.

IRONING GUIDE

FABRIC	SUGGESTED STEAM SETTING	FABRIC SELECT DIAL SETTING	IRONING RECOMMENDATIONS
Acrylic	O/Off (Dry)	Synthetic	Iron garment inside out.
Acetate	O/Off (Dry)	Synthetic	Iron garment inside out while still damp.
Polyester	O/Off (Dry)	Synthetic	Iron garment inside out while still damp.
Rayon	O/Off (Dry)	Synthetic	Iron garment inside out.
Silk	O/Off (Dry)	Silk	Iron garment inside out. Use an ironing cloth* to prevent shine marks.
Viscose	O/Off (Dry)	Silk	Mainly dry iron; steam may be used under garment manufacturer's instructions.
Nylon	O/Off (Dry)	Silk	Iron garment inside out while still damp.
Wool	Steam	Wool	Iron garment inside out or use an ironing cloth.*
Wool Blends	Steam	Wool	Iron garment inside out or use an ironing cloth.*
Cotton Blends	Steam	Cotton	Follow garment manufacturer's instructions. Use setting for the fiber requiring the lowest setting.
Corduroy	Steam	Cotton	Iron garment inside out or use an ironing cloth* and then brush the garment with your hand to raise the texture of the fabric.
Cotton	Steam	Cotton	Iron dark fabrics inside out to prevent shine marks.
Linen	Steam	Linen	Iron garment inside out or use an ironing cloth* to prevent shine marks (especially on dark fabrics).
Denim	Steam	Linen	Use the SPRAY MIST® feature and/or the SHOT OF STEAM® for deeper penetration to remove wrinkles.

*An ironing cloth is a cotton, dry-cleaned cloth that you place over the garment you are ironing to prevent the fabric from looking shiny.

Note: Some fabrics may require more steam than others. Your iron has the capability to adjust steam as needed.

2-YEAR LIMITED HOSPITALITY WARRANTY (4211-099)

Sunbeam Products, Inc. (“Sunbeam”) warrants that for a period of 2 years from the date of purchase, this product will be free from defects in material and workmanship. Sunbeam, at its option, will repair or replace this product or any component of the product found to be defective during the warranty period. Replacement will be made with a new or remanufactured product or component. If the product is no longer available, replacement may be made with a similar product of equal or greater value. This is your exclusive warranty.

This warranty is valid for the original purchaser from the date of initial purchase and is not transferable. Sunbeam dealers, service centers, or stores selling Sunbeam products do not have the right to alter, modify or any way change the terms and conditions of this warranty.

This warranty does not cover normal wear of parts or damage resulting from any of the following: negligent use or misuse of the product, use on improper voltage or current, use contrary to the operating instructions, disassembly, repair or alteration by anyone other than Sunbeam or an authorized service center. Further, the warranty does not cover Acts of God, such as fire, flood, hurricanes and tornadoes.

Sunbeam shall not be liable for any incidental or consequential damages caused by the breach of any express, implied or statutory warranty or condition. Except to the extent prohibited by applicable law, any implied warranty of merchantability or fitness for a particular purpose is limited in duration to the duration of the above warranty. Sunbeam disclaims all other warranties or conditions, express, implied statutory or otherwise. Some states, provinces or jurisdictions do not allow the exclusion or limitation of incidental or consequential damages or limitations on how long an implied warranty lasts, so the above limitations or exclusion may not apply to you. This warranty gives you specific legal rights, and you may also have other rights that vary from state to state or province to province.

This warranty is only applicable to products purchased by members of the hospitality industry and not to consumer sales.

HOW TO OBTAIN WARRANTY SERVICE

Contact your Sunbeam authorized dealer.

www.sunbeamhospitality.com

1-YEAR LIMITED HOSPITALITY WARRANTY (4215-099)

Sunbeam Products, Inc. (“Sunbeam”) warrants that for a period of 1 year from the date of purchase, this product will be free from defects in material and workmanship. Sunbeam, at its option, will repair or replace this product or any component of the product found to be defective during the warranty period. Replacement will be made with a new or remanufactured product or component. If the product is no longer available, replacement may be made with a similar product of equal or greater value. This is your exclusive warranty.

This warranty is valid for the original purchaser from the date of initial purchase and is not transferable. Sunbeam dealers, service centers, or stores selling Sunbeam products do not have the right to alter, modify or any way change the terms and conditions of this warranty.

This warranty does not cover normal wear of parts or damage resulting from any of the following: negligent use or misuse of the product, use on improper voltage or current, use contrary to the operating instructions, disassembly, repair or alteration by anyone other than Sunbeam or an authorized service center. Further, the warranty does not cover Acts of God, such as fire, flood, hurricanes and tornadoes.

Sunbeam shall not be liable for any incidental or consequential damages caused by the breach of any express, implied or statutory warranty or condition. Except to the extent prohibited by applicable law, any implied warranty of merchantability or fitness for a particular purpose is limited in duration to the duration of the above warranty. Sunbeam disclaims all other warranties or conditions, express, implied statutory or otherwise. Some states, provinces or jurisdictions do not allow the exclusion or limitation of incidental or consequential damages or limitations on how long an implied warranty lasts, so the above limitations or exclusion may not apply to you. This warranty gives you specific legal rights, and you may also have other rights that vary from state to state or province to province.

This warranty is only applicable to products purchased by members of the hospitality industry and not to consumer sales.

HOW TO OBTAIN WARRANTY SERVICE

Contact your Sunbeam authorized dealer.

www.sunbeamhospitality.com

PRÉCAUTIONS IMPORTANTES

Lors de l'utilisation du fer à repasser, veiller à toujours respecter des mesures de précaution élémentaires, notamment :

LISEZ TOUTES LES INSTRUCTIONS AVANT UTILISATION

- Utiliser ce fer uniquement à des tâches pour lesquelles il est conçu.
- Pour écarter les risques d'électrocution, ne pas immerger le fer dans l'eau ni dans aucun autre liquide.
- Placez le bouton de commande du tissu et de la vapeur en position **○/OFF** avant de le brancher ou de le débrancher. Ne jamais tirer sur le fil pour débrancher le cordon; saisir la fiche et l'extraire de la prise.
- Ne pas laisser le cordon d'alimentation venir au contact des surfaces chaudes. Laisser le fer refroidir complètement avant de le ranger. Pour le rangement, enrouler le cordon autour du fer sans serrer.
- Veiller à toujours débrancher le fer de la prise de courant avant de remplir ou vider le réservoir d'eau ou lorsque le fer n'est pas utilisé.
- Ne jamais faire fonctionner un fer à repasser qui est tombé ou a été endommagé. Pour écarter les risques d'électrocution, ne pas démonter le fer. Envoyer l'appareil à un centre de réparation agréé. Un fer mal remonté présente un danger d'électrocution durant son utilisation.
- Faites particulièrement attention lorsque le fer est utilisé par, ou en présence d'enfants. Ne pas laisser le fer à repasser sans surveillance lorsqu'il est branché ou en position «ON» ou posé sur la table à repasser.
- Les brûlures se produisent en cas de contact avec des parties métalliques chaudes, de l'eau chaude ou de la vapeur. Attention avant de tourner un fer à repasser vapeur à l'envers: le réservoir peut contenir de l'eau bouillante.
- Si le fer à repasser ne fonctionne pas correctement, débrancher le cordon d'alimentation et **appelez votre distributeur d'hospitalité de Sunbeam plus proche au 1-888-878-6232 ext. 66598.**
- Ce fer à repasser SUNBEAM® est conçu pour reposer sur talon d'appui. Ne pas laisser le fer sans surveillance. Ne pas placer le fer sur une surface non protégée, même s'il repose sur son talon d'appui.

INSTRUCTIONS PARTICULIÈRES

- Ceci est un appareil de 1200 W*. Pour éviter toute surcharge du réseau électrique, ne pas utiliser un autre appareil de forte puissance sur le même circuit.
- S'il est absolument nécessaire de se servir d'une rallonge électrique, utiliser un cordon de 15 A. Les cordons de capacité moindre présentent des risques d'échauffement. Veiller à placer le cordon de manière à ce qu'il ne risque pas d'être arraché ou de provoquer de trébuchement.

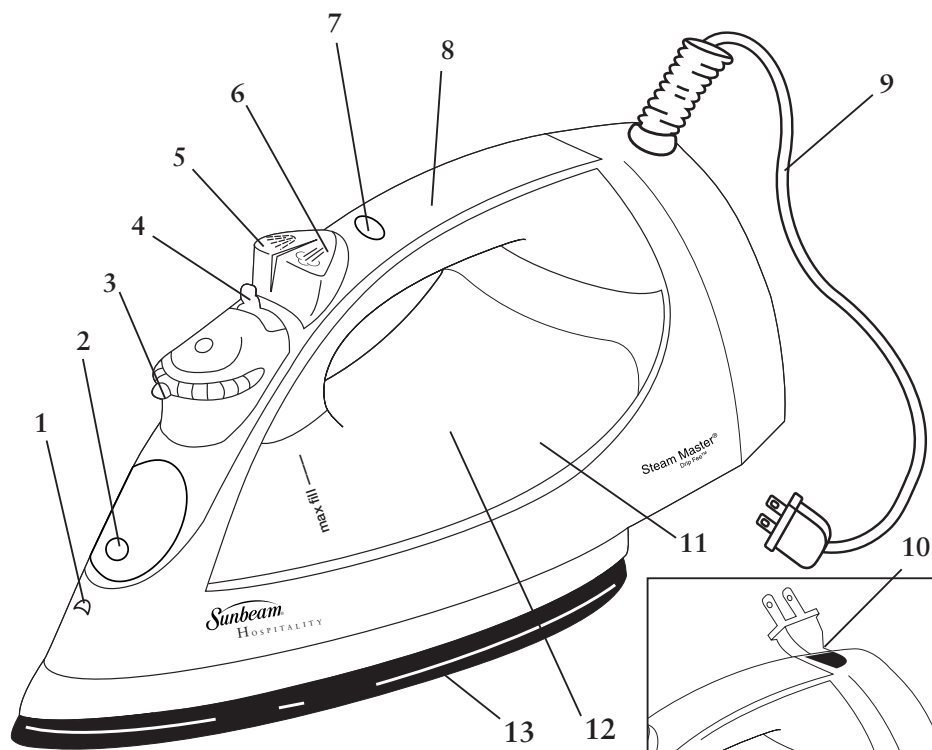
PRODUITS ACHETÉS AUX ÉTATS-UNIS ET AU CANADA UNIQUEMENT

Pour réduire le risque de choc électrique, cet appareil est doté d'une fiche polarisée (*une broche est plus large que l'autre*). Cette fiche ne va que dans un sens seulement sur une prise de courant polarisée. Si la fiche ne s'enfonce pas complètement dans la prise, la retourner et essayer de nouveau. Si elle ne s'adapte toujours pas à fond, consulter un électricien qualifié. Veillez à respecter les mesures de sécurité de la prise polarisée.

CONSERVER CES INSTRUCTIONS

CARACTÉRISTIQUES DE VOTRE FER À REPASSER STEAM MASTER®

1. Dégagement du SPRAY MIST®
2. Réservoir d'eau à remplir
3. Bouton de commande du tissu
4. Levier d'auto nettoyage
5. Bouton de réglage du SPRAY MIST®
6. SHOT OF STEAM® / Bouton de vapeur vertical (Certains Modèles Seulement)
7. Courant lumineux / MOTION SMART® indicateur de détachement automatique
8. Poignée flasque
9. 360° Anti-enchevêtrement cordon pivotant (Certains Modèles Seulement)
10. Cordon escamotable (Certains Modèles Seulement)
11. System anti-calcium a l'intérieur du réservoir d'eau (Certains Modèles Seulement)
12. Fenêtre de repère du niveau d'eau
13. Semelle



REPLISSAGE DU RESERVOIR D'EAU

1. Débranchez le fer à repasser avant le remplissage. Placez le bouton de réglage de la vapeur en position «OFF» (Sec) et la coulisse de sélection pour tissu en position «OFF».
2. Levez le couvercle du réservoir d'eau.
3. A l'aide d'un verseur gradué, versez l'eau dans l'ouverture. Ne pas dépasser le niveau maximum.

ATTENTION : Les parties métalliques chaudes, l'eau chaude ou de la vapeur peuvent provoquer des brûlures. Faire attention quand vous remplissez un fer à repasser chaud avec de l'eau.

UTILISATION A SEC

1. Assurez que le levier de vapeur est en position **O/OFF** (Sec).
2. Branchez le cordon dans une prise de 120-volt AC.
3. Tournez la Coulisse de sélection pour tissu sur le programme désire (*Soie ou Synthétique*). Laissez chauffer pour 2 minutes. Pendant que le fer à repasser est chauffé, déposez le vers le haut sur une surface soutenue et stable.

NOTE: Quand le levier de vapeur est en position **O/OFF** (Sec) programme, vous pouvez utiliser le SHOT OF STEAM® ou le SPRAY MIST® caractéristiques. Il faut donc remplir le réservoir d'eau au 1/4.

IMPORTANT : Voir le réglage recommandé dans le Guide de Repassage.

UTILISATION DU FER À VAPEUR

1. Suivez les instructions du «Remplissage du réservoir d'eau».
2. Branchez le cordon dans une prise de 120-volt AC.
3. Tournez la Coulisse de sélection pour tissu sur le programme désire (*Synthétique, Soie, Lin, Coton, Laine*). Laissez chauffer pour 2 minutes. Pendant que le fer à repasser est chauffé, déposez le vers le haut sur une surface soutenue et stable.
4. Laissez chauffer pour 2 minutes, et après changez le levier de vapeur au programme approprié.

IMPORTANT : Voir le réglage recommandé dans le Guide de Repassage.

IMPORTANT : Au moment de non repassage, assurez que le levier de vapeur et la coulisse du réglage du tissu sont en position **O/OFF**.

UTILISATION DE CARACTÉRISTIQUES SPECIALES DU FER À REPASSER

SPRAY MIST® CARACTÉRISTIQUE

Le MIST VAPORISANT est un vaporisant d'eau très puissant qui humidifie le tissu pour enlever facilement les plis des tissus difficile.

UTILISATION DU SPRAY MIST® CARACTÉRISTIQUE :

Enfoncer fermement le bouton SPRAY MIST®.

SHOT OF STEAM® CARACTÉRISTIQUE (Certains Modèles Seulement)

La caractéristique à SHOT OF STEAM® produit une décharge de vapeur supplémentaire qui pénètre en profondeur dans les plis réfractaires. La caractéristique à SHOT OF STEAM® s'utilise pendant le repassage à sec comme à la vapeur, à condition que le réservoir d'eau soit au quart plein au minimum.

UTILISATION DU SHOT OF STEAM® CARACTÉRISTIQUE :

Placez le fer à repasser sur le pli et pressez le bouton SHOT OF STEAM® chaque fois que vous avez besoin d'une poussée de vapeur. La caractéristique SHOT OF STEAM® peut être utilisée d'une façon continue en permettant une pause entre chaque coup.

LA VAPEUR VERTICALE (Certains Modèles Seulement)

La vapeur vertical permet le fer à repasser de fonctionner comme une vapeur pour vêtements.

NOTE: Pour les meilleurs résultats, accrochez les vêtements sur un cintre quant vous utilisez la commande de vapeur verticale. Les rideaux et draps suspendus peuvent être s'embuer avec la vapeur verticale.

UTILISATION DE LA VAPEUR VERTICALE :

1. Réchauffez le fer (2 minutes).
2. Tenir le fer à repasser en position verticale en rapprochant le fer mais sans toucher le tissu.
3. En utilisant l'autre main, tirez le tissu d'une façon tendu.
4. Pressez le bouton SHOT OF STEAM® approximativement à 3 secondes d'intervalle en déplaçant le repassage à travers les plis.

ATTENTION: Gardez vos mains en distance pour ne pas provoquer de brûlures.

ATTENTION: NE pas utiliser la vapeur verticale sur des vêtements que vous portez. Ceci peut causer des blessures.

CARACTÉRISTIQUES MOTION SMART® ET AUTO OFF PATENTÉES

(Certains Modèles Seulement)

Quand le fer à repasser est débranché, l'indicateur lumineux sera solide, indiquent la tension du fer à repasser.

Si vous le laissez:

- En position horizontale sans le bouger, ou si par hasard vous le renversez, le fer à repasser va automatiquement cesser de chauffer après 30 secondes. Le voyant sur la poignée clignote pour indiquer que le fer s'est éteint automatiquement et il continue à clignoter jusqu'à ce que le fer soit remis en marche ou débranché.
- En position verticale (*en position de repassage*) éteint le fer s'il est inutilisé pendant 15 minutes. Le voyant sur la poignée clignote pour indiquer que le fer s'est éteint automatiquement et il continue à clignoter jusqu'à ce que le fer soit remis en marche ou débranché.

IMPORTANT : Le voyant continue à clignoter jusqu'à ce que le fer soit remis en marche ou débranché.

REMISSE EN MARCHÉ DU FER À REPASSER

Bougez le fer à repasser en avant et en arrière et laissez se réchauffer pour 2 minutes. Quand l'indicateur cesse de clignoter, le fer à repasser commencera à se réchauffer une deuxième fois.

ATTENTION: La caractéristique MOTION SMART® Auto-off patentée est une mesure de sécurité, et pas une manière recommandée pour éteindre votre fer à repasser.

Voir «Soin après utilisation» pour plus d'information pour éteindre votre fer à repasser, et pour le ranger soigneusement après chaque utilisation.

LE SYSTEM ANTI-CALCIUM (Certains Modèles Seulement)

Le system anti-calcium est un system permanent localisé à l'intérieur du réservoir d'eau. Ce system enlève le calcium de l'eau et réduit la composition du calcium sur la semelle.

SECTION DES CORDONS REPLIABLES (Certains Modèles Seulement)

1. Au moment d'enroulement des cordons, tenez la prise avec une main, et pressez le bouton d'enroulement avec l'autre main. (*Défaut de tenir le cordon peut le faire pivoter.*)
2. La bobine du cordon est compacte à une multitude de couches d'enroulement. Au cas ou le cordon n'est pas entièrement enroulé, tirez le cordon et orientez le uniformément avec la bobine.
3. Au cas ou le cordon ne s'étire pas facilement, tirez le cordon a coup ferme.
4. Sélectionnez le nombre de cordons désirés avant de les brancher dans un courant électrique.
5. Ne jamais laisser les cordons a la portée des enfants, afin d'éviter tout risque de blessures.

PRENDRE SOIN DE VOTRE FER À REPASSER APRÈS CHAQUE UTILISATION ETEINDRE VOTRE FER À REPASSER

1. Ramener le bouton de vapeur en position **O/OFF** (Sec) et la Coulisse de sélection pour tissu.
2. Débrancher le fer de la prise de courant.

ATTENTION: NE jamais débrancher le cordon de la prise en saisissant la fiche et non en tirant sur le coron pour ne pas endommagé le cordon.

RANGEMENT DE FER À REPASSER

1. Laisser le fer refroidir.
2. Si vous utilisez le fer à repasser quotidiennement, videz le réservoir d'eau après chaque utilisation pour une durée de vie plus longue. Débranchez le fer, vider le réservoir d'eau en ouvrant le bouchon et en retournant le fer pour permettre l'écoulement de l'eau. Remuer délicatement le fer pour éliminer les dernières gouttes d'eau.
3. Pour les modèles a cordon seulement : Enrouler le cordon électrique sans serrer autour du passage prévu à cet effet. Veiller à toujours poser le fer sur son talon d'appui.

IMPORTANT : Enrouler le cordon d'une façon serrée autour du fer à repasser peut endommagé le cordon.

NOTE : Lorsque le fer n'est pas utilisé, toujours placer le bouton de vapeur en position **O/OFF** (Sec) et tourner la Coulisse de sélection pour tissu en position OFF.

ENTRETIEN DE VOTRE FER À REPASSER STEAM MASTER® NETTOYAGE DE LA SEMELLE

Nettoyez la semelle à chaque fois qu'il y a du tartre ou d'autres résidus qui s'accumulent.

POUR NETTOYER LA SEMELLE :

1. Laisser refroidir et essuyer avec un chiffon doux humide.

ATTENTION : NE pas utiliser des nettoyants abrasives comme le vinaigre pour nettoyer la semelle. Afin de ne pas rayer la semelle.

2. Pressez le fer sur un tissu en coton pour enlever tout résidu.

UTILISATION DE LA CARACTÉRISTIQUE AUTO NETTOYAGE :

Vous devez utiliser la caractéristique Auto Nettoyage une fois par mois pour maintenir une performance optimale de votre fer à repasser.

POUR UTILISER LA CARACTÉRISTIQUE AUTO NETTOYAGE :

1. Changez le levier de vapeur en avant et en arrière de la position **O/OFF** (Sec) plusieurs fois pour enlever les débris et les minéraux de la valve de la vapeur. Ceci permet l'écoulement de l'eau dans la chambre a vapeur.

ENTRETIEN

NETTOYAGE DU SYSTEM ANTI-CALCIUM

Le fer à repasser Master a vapeur loge un filtre anti-calcium dans le réservoir, et qui élimine les souillées que l'eau contiennent.

Pour prolonger l'efficacité de ce filtre :

1. Débranchez le fer à repasser et laissez refroidir.
2. Situez le verre qui accompagne le fer à repasser. Le remplissez d'eau jusqu'au logo de SUNBEAM® a droite. Ajoutez une cuillère a soupe de sel a l'eau et remplissez cette préparation dans le réservoir d'eau.
3. Laissez la solution dans le réservoir d'eau pendant 15 minutes, et puis videz la.
4. Remplissez le réservoir d'eau une deuxième fois avec de l'eau et du sel, et videz après 15 minutes.
5. Remplissez le réservoir d'eau avec de l'eau fraîche pour rincer et videz le.

Le system anti-calcium doit être nettoyé approximativement une fois par mois.

CONSEILS POUR REPASSAGE

- Toujours vérifier les étiquettes des vêtements et suivez les instructions recommandées par le fabricant du tissu.
- Triez les articles à repasser suivant la qualité du tissu.
- Si vous devez repasser en premier lieu les vêtements qui exigent une température minimale (*ex: Soie et Synthétique*) pour éviter de les endommager quant le fer à repasser devient chaud.
- Si vous n'êtes pas sûr de la qualité du tissu, essayez sur une petite bande comme avant de repasser une bande visible. Commencez avec une température faible changez progressivement jusqu'à ce que vous trouvez le meilleur programme.
- Quand vous changez la température du chaud au froid, patientez approximativement 5 minutes pour que la température se refroidisse.
- Quand vous utilisez le repassage à la vapeur, pressez soigneusement et longuement sur le tissu. Ceci permettra à la vapeur de pénétrer dans le tissu, et à la chaleur de la semelle de faire sécher l'humidité.
- Pour repasser le lin, tournez les vêtements à l'envers. Faites attention de ne pas utiliser un fer à repasser trop chaud parce que la doublure peut se dissoudre ou s'enfoncer avec la semelle.
- Pour repasser les fermetures utilisez un tissu de repassage ou pressez le fer à repasser d'un coup léger. Ne jamais repasser directement sur des fermetures qui ne sont pas protégées.
- Utilisez le guide de repassage pour sélectionner le programme le plus adéquat au tissu que vous voulez repasser.

GUIDA DE REPASSAGE

TISSU	SUGGESTIONS POUR UTILISATION DE LA VAPEUR	UTILISATION DE BOUTON DE RÉGLAGE DU TISSU	RECOMMANDATION DE REPASSAGE
Acrylique	O/Off (Sec)	Synthétique	Repasser sur l'envers.
Rayons d'Acétate	O/Off (Sec)	Synthétique	Repasser à sec l'envers pendant qu'il est encore humide.
Polyester	O/Off (Sec)	Synthétique	Repasser à sec l'envers pendant qu'il est encore humide.
Rayonne	O/Off (Sec)	Synthétique	Repasser sur l'envers.
Soie	O/Off (Sec)	Soie	Repasser sur l'envers. Utiliser un tissu protecteur* pour éviter le lustrage.
Viscose	O/Off (Sec)	Soie	Repasser essentiellement à sec. Utiliser la vapeur uniquement suivant les indications du fabricant.
Nylon	O/Off (Sec)	Soie	Repasser à sec l'envers pendant qu'il est encore humide.
Laine	Vapeur	Laine	Repasser à la vapeur sur l'envers ou utiliser un tissu protecteur*.
Mélanges de Lainages	Vapeur	Laine	Repasser à la vapeur sur l'envers ou utiliser un tissu protecteur*.
Mélanges de Coton	Vapeur	Coton	Consulter l'étiquette et suivre les indications du fabricant. Régler en fonction de la fibre nécessitant le réglage le plus bas.
Velours Côtelé	Vapeur	Coton	Repasser à la vapeur sur l'envers ou utiliser un tissu protecteur* et froissez les vêtements à l'aide de vos mains pour augmenter la texture du tissu.
Coton	Vapeur	Coton	Repasser les tissus sombres sur l'envers pour éviter le lustrage.
Lins	Vapeur	Lins	Repasser à la vapeur sur l'envers ou utiliser un tissu protecteur* pour éviter le lustrage (<i>en particulier les couleurs sombres</i>).
Denim	Vapeur	Lins	Utiliser SPRAY MIST® et/ou SHOT OF STEAM® pour une pénétration approfondie et pour se débarrasser des plis.

*Pour éviter que les tissus brillent, utilisez un tissu de repassage en coton sur les vêtements que vous repassez.

Note: Quelques tissus nécessitent plus de vapeur au repassage que d'autres.

Votre fer à repasser est qualifié d'être ajusté à la vapeur dont vous en aurez besoin.

GARANTIE LIMITÉE L'HOSPITALITÉ DE 2 ANS (4211-099)

Sunbeam Products, Inc (« Sunbeam ») ou si dans le Canada, Sunbeam Corporation (collectivement « Sunbeam ») garantit pour une période de deux années à compter de la date d'achat que ce produit n'aura aucun vice mécanique ou électrique, matériel ou de fabrication. Sunbeam selon son choix, réparera ou remplacera ce produit ou tout élément défectueux, durant la période de couverture de la garantie. Le remplacement consistera en un produit ou un élément nouveau ou refabriquée. Si le produit n'est plus disponible, il sera remplacé par un produit d'une valeur comparable ou supérieure. Cela constitue votre valeur exclusive.

Cette garantie est valable pour l'acheteur original à partir de la date initiale d'achat. Elle n'est pas transférable. Garder le reçu original de l'achat. La preuve d'achat est exigée pour qu'une garantie soit exécutée. Les marchands de Sunbeam, les centres de service, les magasins de vente en détail des produits Sunbeam n'ont pas le droit de changer, modifier par quelconque moyen les termes et conditions de cette garantie.

Cette garantie ne couvre pas l'usure normale des pièces composantes du produit ni quelconque dommage qui résulte de l'un des cas suivants : négligence dans l'usage du produit, l'usage inapproprié du voltage ou du courant électrique, tout usage contraire aux instructions opératoire, démontage, réparation ou altération faite par quelconque, autre que Sunbeam ou d'un centre de service autorisé de Sunbeam. En plus, la garantie ne couvre pas les risques d'état majeur tel qu'un incendie, inondation, ouragan et tornade.

Sunbeam n'acceptera aucune responsabilité causée de dommages conséquents aux accessoires découlant de manquement à quelque garantie explicite ou implicite sur ce produit.

Sauf dans la mesure où l'empêchent la loi applicable, la durée de toute garantie implicite sur la qualité marchande ou le caractère utilisable de ce produit pour un but précis se limite à la durée de la garantie susmentionnée.

Sunbeam renonce à toutes les autres garanties, conditions ou représentations, expresse, implicite, statutaire ou autres.

Quelques provinces, états ou juridictions ne permettent pas l'exclusion ou la limitation du dommage secondaire ou consécutive, ou bien la limitation de la durée d'une garantie implicite. Ainsi, les limitations ou exclusions ci-dessus ne seraient applicables.

Cette garantie vous offre des droits légaux précis, et ces droits peuvent varier selon l'état ou la province.

COMMENT OBTENIR UN SERVICE DE GARANTIE

Contactez votre distributeur agréé de Sunbeam.

www.sunbeamhospitality.com

GARANTIE LIMITÉE L'HOSPITALITÉ DE 1 AN (4215-099)

Sunbeam Products, Inc (« Sunbeam ») ou si dans le Canada, Sunbeam Corporation (collectivement « Sunbeam ») garantit pour une période de une année à compter de la date d'achat que ce produit n'aura aucun vice mécanique ou électrique, matériel ou de fabrication. Sunbeam selon son choix, réparera ou remplacera ce produit ou tout élément défectueux, durant la période de couverture de la garantie. Le remplacement consistera en un produit ou un élément nouveau ou refabriquée. Si le produit n'est plus disponible, il sera remplacé par un produit d'une valeur comparable ou supérieure. Cela constitue votre valeur exclusive.

Cette garantie est valable pour l'acheteur original à partir de la date initiale d'achat. Elle n'est pas transférable. Garder le reçu original de l'achat. La preuve d'achat est exigée pour qu'une garantie soit exécutée. Les marchands de Sunbeam, les centres de service, les magasins de vente en détail des produits Sunbeam n'ont pas le droit de changer, modifier par quelconque moyen les termes et conditions de cette garantie.

Cette garantie ne couvre pas l'usure normale des pièces composantes du produit ni quelconque dommage qui résulte de l'un des cas suivants : négligence dans l'usage du produit, l'usage inapproprié du voltage ou du courant électrique, tout usage contraire aux instructions opératoire, démontage, réparation ou altération faite par quelconque, autre que Sunbeam ou d'un centre de service autorisé de Sunbeam. En plus, la garantie ne couvre pas les risques d'état majeur tel qu'un incendie, inondation, ouragan et tornade.

Sunbeam n'acceptera aucune responsabilité causée de dommages conséquents aux accessoires découlant de manquement à quelque garantie explicite ou implicite sur ce produit.

Sauf dans la mesure où l'empêchent la loi applicable, la durée de toute garantie implicite sur la qualité marchande ou le caractère utilisable de ce produit pour un but précis se limite à la durée de la garantie susmentionnée.

Sunbeam renonce à toutes les autres garanties, conditions ou représentations, expresse, implicite, statutaire ou autres.

Quelques provinces, états ou juridictions ne permettent pas l'exclusion ou la limitation du dommage secondaire ou consécutive, ou bien la limitation de la durée d'une garantie implicite. Ainsi, les limitations ou exclusions ci-dessus ne seraient applicables.

Cette garantie vous offre des droits légaux précis, et ces droits peuvent varier selon l'état ou la province.

COMMENT OBTENIR UN SERVICE DE GARANTIE

Contactez votre distributeur agréé de Sunbeam.

www.sunbeamhospitality.com

PRECAUCIONES IMPORTANTES

Cuando use algún aparato eléctrico siempre deben seguirse precauciones básicas de seguridad incluyendo las siguientes:

LEA TODAS LAS INSTRUCCIONES ANTES DE USAR

- Use la plancha únicamente para el uso al que está destinada.
- Para protegerse contra el riesgo de un choque eléctrico, no sumerja la plancha en agua ni en otros líquidos.
- La perilla selectora de telas y la palanca del vapor siempre deben estar en "●/Off" (Dry) (●/Apagado [Seco]) antes de enchufar o desenchufar la plancha del tomacorriente. Nunca tire del cable para desconectarla del tomacorriente, sujete el enchufe y tire de él para desconectarla.
- No permita que el cable toque superficies calientes. Deje enfriar la plancha por completo antes de guardarla. Envuelva el cable flojamente alrededor de la plancha para guardarla.
- Siempre desconecte la plancha del tomacorriente eléctrico cuanto esté llenándola de agua o vaciándola y también cuando no esté en uso.
- No haga funcionar la plancha si el cable está dañado o si la plancha se ha caído o dañado. Para evitar el riesgo de choque eléctrico, no desarme la plancha. Llévela a un centro de servicio autorizado para que la examinen y/o reparen. El rearmado incorrecto puede provocar el riesgo de un choque eléctrico al usar la plancha.
- Es necesario vigilar cuidadosamente a los niños cuando usen cualquier aparato o se encuentren cerca de él. No deje la plancha sin vigilancia mientras esté enchufada, encendida o sobre una tabla de planchar.
- Se pueden producir quemaduras por contacto con las partes de metal calientes, el agua caliente o el vapor. Tenga cuidado al invertir una plancha de vapor ya que puede quedar agua caliente en el reservorio.
- Si la plancha no funciona normalmente, desconéctela del tomacorriente y llame su Distribuidor de la Hospitalidad Sunbeam más cercana en 1-888-878-6232, extensión 66598.
- Su plancha SUNBEAM® está diseñada para apoyarse en el talón de apoyo. No deje la plancha sin vigilancia. No apoye la plancha sobre una superficie no protegida, aun cuando sea sobre el talón de apoyo.

INSTRUCCIONES ESPECIALES

- Este aparato funciona con 1200 vatios. Para evitar una sobrecarga del circuito no haga funcionar otro aparato de alto vataje en el mismo circuito.
- Si resulta absolutamente necesario usar un cable de extensión, se debe usar un cable de 15 amperios. Los cables con tensiones nominales menores pueden sobrecalentarse. Se debe cuidar de poner el cable de extensión de modo tal que no pueda ser arrancado o provocar tropiezos.

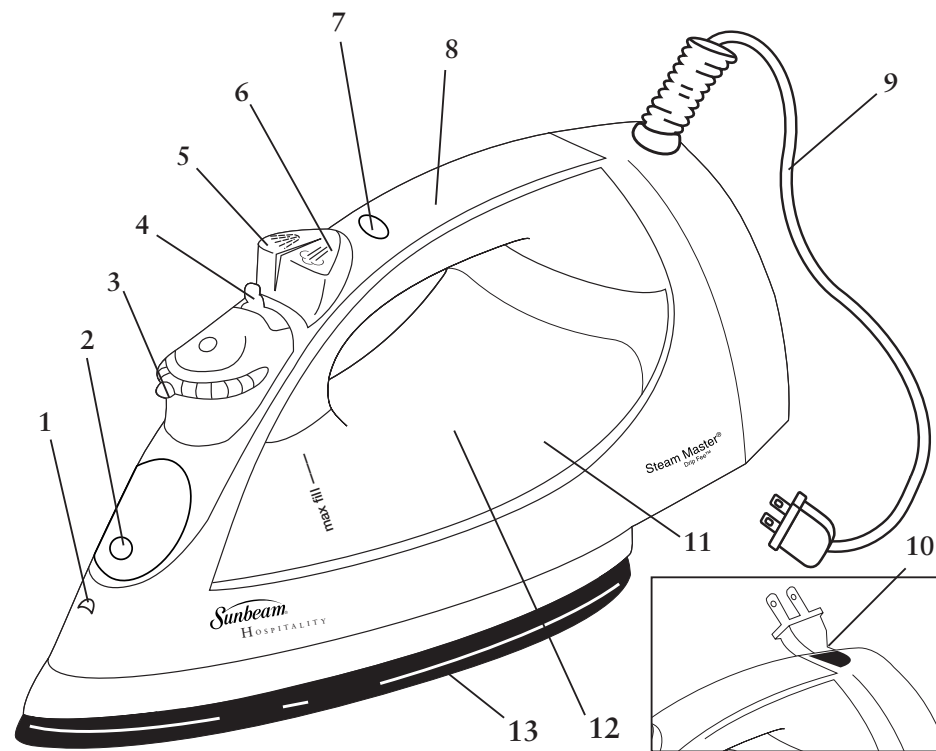
PARA PRODUCTOS COMPRADOS EN LOS EE.UU. Y CANADÁ

Para reducir el riesgo de choque eléctrico, este aparato tiene un enchufe polarizado (una pata es más ancha que la otra). Este enchufe calza en un tomacorriente polarizado sólo de una manera; si el enchufe no cabe totalmente en el tomacorriente, gire el enchufe. Si aun así no calza, consulte a un electricista calificado. No intente anular esta característica de seguridad.

GUARDE ESTAS INSTRUCCIONES

CARACTERÍSTICAS DE SU PLANCHA STEAM MASTER®

1. Accionador de SPRAY MIST®
2. Orificio para Cargar Agua con Tapa
3. Perilla Selectora de Telas
4. Palanca de Vapor / Autolimpieza
5. Botón SPRAY MIST®
6. Botón SHOT OF STEAM® / Vapor Vertical (Modelos Deleccionados Únicamente)
7. Luz Indicadora de Encendido / Indicadora de Apagado Automático MOTION SMART®
8. Mango con Asa Blanda
9. Cable con Giro de 360° Sin Enredos
10. Cordón Retractable (Modelos Deleccionados Únicamente)
11. Sistema Antisarro (Modelos Deleccionados Únicamente) – Dentro del Reservorio de Agua
12. Reservorio de Agua Transparente
13. Base



PARA LLENAR EL RESERVORIO DE AGUA

1. Asegúrese de que la plancha esté desenchufada. Ponga la palanca de vapor en **○/Off (Dry)** (**○/Apagado [Seco]**) y la perilla de selección de telas en **Off (Apagado)**.
2. Levante la tapa del orificio para cargar agua. La tapa se puede retirar y se puede volver a colocar cuidadosamente en las ranuras.
3. Llene la taza con agua. Vierta el agua en el reservorio de agua de la plancha. No llene el reservorio de agua más allá del nivel máximo de llenado.

ADVERTENCIA: Para prevenir el riesgo de quemaduras, tenga cuidado al llenar una plancha caliente con agua. Las partes de metal calientes, el agua caliente y el vapor pueden causar lesiones.

PLANCHANDO EN SECO

1. Asegúrese de que la palanca del vapor esté en la posición **○/Off (Dry)** (**○/Apagado [Seco]**).
2. Enchufe el cable en un tomacorriente de CA de 120 voltios. (*En México, 127 voltios*)
3. Gire el disco selector de tela (Fabric Select) en la posición deseada para planchando en seco (Silk [seda] o Synthetics [tela sintética]) y deje que la plancha se caliente durante 2 minutos. Mientras la plancha se está calentando, asegúrese de que esté apoyada sobre su talón de apoyo, encima de una superficie estable y protegida.

NOTA: Mientras que la palanca de Vapor esté en la posición **○/Off (Dry)** (**○/Apagado [Seco]**), Ud. todavía puede usar la característica SHOT OF STEAM® o SPRAY MIST®. Por favor asegúrese que el reservorio de agua esté lleno de agua de 1/4.

SUGERENCIA: Consulte la Guía de Planchado para conocer el nivel de temperatura adecuado para su tela.

PLANCHANDO AL VAPOR

1. Siga las instrucciones de la sección “Cómo Llenar el Depósito de Agua”.
2. Enchufe el cable en un tomacorriente de CA de 120 voltios.
3. Gire el disco selector de tela (Fabric Select) a la posición deseada (*Synthetic [sintética], Silk [seda] Linen [lino], Cotton [algodón] o Wool [lana]*). Deje que la plancha se caliente durante 2 minutos. Mientras la plancha se está calentando, asegúrese de que esté apoyada sobre su talón de apoyo, encima de una superficie estable y protegida.
4. Permita que la plancha se caliente por 2 minutos y después mueva la palanca de vapor (Steam) a la posición que desea.

SUGERENCIA: Consulte la Guía de Planchado para conocer el nivel de temperatura adecuado para su tela.

IMPORTANTE: Cuando no esté planchando, siempre ponga la palanca de vapor en **○/Off (Dry)** (**○/Apagado [Seco]**) y la perilla de selección de telas en **○/Off (Dry)** (**○/Apagado [Seco]**).

USO DE LAS FUNCIONES ESPECIALES DE LA PLANCHA

LA FUNCIÓN SPRAY MIST®

La función SPRAY MIST® es una poderosa niebla de agua que humedece la tela para ayudar a eliminar las arrugas de las telas gruesas y para marcar los dobleces.

Para usar la función SPRAY MIST®:

Presione el botón SPRAY MIST® firmemente.

LA FUNCIÓN SHOT OF STEAM®

La función SHOT OF STEAM® brinda un chorro de vapor adicional para penetración profunda en arrugas rebeldes. Puede usar esta función mientras plancha en seco o con vapor, pero por lo menos 1/4 del reservorio de agua debe estar lleno.

Para usar la función SHOT OF STEAM®:

Ponga la plancha sobre la arruga y presione el botón SHOT OF STEAM® cada vez que desee aplicar un chorro adicional de vapor. La función SHOT OF STEAM® se puede usar en forma continua con sólo una breve pausa entre chorros.

VAPOR VERTICAL (Modelos Seleccionados Únicamente)

La función vapor vertical permite que su plancha funcione como vaporizador para prendas.

CONSEJO: Cuando use el vapor vertical sobre las prendas, cuélguelas de una percha para obtener mejores resultados. También se puede usar en cortinas y cortinados colgados.

Para usar el vapor vertical:

1. Asegúrese de que la plancha se haya calentado (2 minutos).
2. Sostenga la plancha en posición vertical, con la plancha cerca de la tela que desea vaporizar pero sin tocarla.
3. Con la otra mano, mantenga tensa la tela.
4. Presione el botón SHOT OF STEAM® a intervalos de aproximadamente 3 segundos a medida que mueve la plancha por la zona arrugada.

ADVERTENCIA: Para prevenir el riesgo de quemaduras, mantenga la mano alejada de la zona que está vaporizando.

ADVERTENCIA: NO vaporice las prendas mientras las tenga puestas ya que esto puede provocar lesiones.

FUNCIÓN PATENTADA DE APAGADO AUTOMÁTICO MOTION SMART®

Cuando la plancha está enchufada, el indicador de encendido quedará encendido todo el tiempo para señalar que llega energía eléctrica a la plancha.

Si deja la plancha:

- en posición horizontal sin moverla, o la vuelca accidentalmente, automáticamente dejará de calentar al cabo de 30 segundos. El indicador de encendido titilará para hacerle saber que la plancha ha dejado de calentar.
- en posición vertical (*sobre su talón de apoyo*) sin moverla, la plancha se apagará automáticamente al cabo de 15 minutos. El indicador de encendido titilará para hacerle saber que la plancha ha dejado de calentar.

IMPORTANTE: El indicador de encendido continuará titilando hasta que la plancha sea desenchufada o reiniciada.

Para reiniciar la plancha:

Mueva la plancha hacia atrás y hacia adelante y déjela volver a calentar durante 2 minutos. El indicador dejará de titilar y la plancha comenzará a calentar nuevamente.

ADVERTENCIA: La función patentada de apagado automático MOTION SMART® es una función de seguridad, no una forma recomendada de apagar su plancha. Consulte en “Cuidado de Su Plancha Después del Uso”, la información sobre cómo apagar su plancha y almacenarla con seguridad después del uso.

SISTEMA ANTISARRO (modelos seleccionados únicamente)

El sistema antisarro es un sistema permanente ubicado dentro del reservorio de agua. Este sistema elimina el calcio del agua y reduce la acumulación de sarro en la base de la plancha.

SECCIÓN DEL CORDÓN RETRACTABLE (Modelos Seleccionados Únicamente)

1. Al enrollar el cordón, sostenga el enchufe con una mano, y presione el botón de enrollar con la otra mano. (El fallar en sostener el enchufe puede hacer que el enchufe salga volando.)
2. El carrete del cordón es compacto para enrollar múltiples capas del cordón. En caso que el cordón no se rebobinara completamente, saque el cordón y dirija el cable uniformemente en el carrete.
3. En el caso que el cordón no se sacara fácilmente, tire del cordón firmemente.
4. Seleccione la cantidad de cordón deseada antes de enchufar en un tomacorriente.
5. No permita a los niños usar la función retractable del cordón ya que el cordón puede causar lesiones.

CUIDADO DE SU PLANCHA DESPUÉS DEL USO

APAGADO DE SU PLANCHA

1. Ponga la palanca de vapor en **Off** (Dry) (**Off**/Apagado [Seco]) y la perilla de selección de telas en **Off** (Apagado).
2. Desenchufe la plancha del tomacorriente.

ADVERTENCIA: NUNCA tire del cable para desenchufar la plancha. Esto puede dañar el cable.

ALMACENAMIENTO DE SU PLANCHA

1. Deje enfriar la plancha.
2. Si no usa la plancha diariamente, vacíe el reservorio de agua después de cada uso para que la misma tenga una mayor vida útil. Para hacerlo, desenchufe la plancha, inviértala, abra la tapa del orificio para cargar agua y deje que salga el agua por el orificio. Sacuda la plancha suavemente para eliminar las gotas de agua retenidas.
3. Enrolle el cable alrededor del talón de apoyo y almacene la plancha parada sobre su talón de apoyo.

IMPORTANTE: Si se enrolla el cable de manera muy ajustada alrededor de la plancha se puede dañar el cable.

CONSEJO: Cuando no esté planchando, siempre ponga la palanca de vapor en **Off** (Dry) (**Off**/Apagado [Seco]) y la perilla de selección de telas en **Off** (Apagado).

MANTENIMIENTO DE SU PLANCHA STEAM MASTER®

LIMPIEZA DE LA BASE

Limpie la base si se acumula almidón o algún otro residuo.

Para limpiar la base:

1. Deje enfriar la plancha y luego pásele un paño suave y húmedo.

ADVERTENCIA: NO use limpiadores abrasivos, esponjas de metal ni vinagre para limpiar la base. Esto dañará el acabado.

2. Pase la plancha por un paño de puro algodón para eliminar cualquier residuo.

USO DE LA FUNCIÓN DE AUTOLIMPIEZA

Debe usar la función de autolimpieza una vez al mes para mantener el rendimiento óptimo de su plancha.

Para usar la función de autolimpieza:

1. Mueva varias veces la palanca de vapor **Off** (Dry) (**Off**/Apagado [Seco]) hacia atrás y hacia adelante a para eliminar los residuos y los minerales de la válvula de vapor. Esto permite que el agua fluya en el compartimiento del vapor.

LIMPIEZA DEL SISTEMA ANTISARRO

La plancha STEAM MASTER® contiene un filtro antisarro en el reservorio, que elimina las impurezas del agua.

Para prolongar la eficiencia de este filtro:

1. Desenchufe la plancha y déjela enfriar.
2. Encuentre la taza para agua que vino con la plancha. Llene la taza con agua hasta el logotipo de Sunbeam que está en el ángulo superior derecho. Agregue 1 cucharadita de sal al agua y llene el reservorio de agua con esta solución.
3. Deje la solución en el reservorio de agua durante 15 minutos y luego vacíelo.
4. Llene el reservorio de agua por segunda vez con la solución de agua salada y vacíelo nuevamente al cabo de 15 minutos.
5. Llene el tanque con agua fresca para enjuagar y vacíelo.

El sistema antisarro debe limpiarse aproximadamente una vez por mes.

RECOMENDACIONES PARA EL PLANCHADO

- Siempre lea las etiquetas de la prenda y siga las instrucciones de planchado del fabricante.
- Clasifique las prendas que va a planchar según el tipo de tela.
- Primero debe planchar las prendas que requieren baja temperatura (*por ejemplo, las prendas de seda y tela sintética*) a fin de evitar dañarlas con una plancha que esté demasiado caliente.
- Si no está seguro de cuál es el contenido de la tela de una prenda, pruebe planchando un área pequeña, como por ejemplo una costura o guarnición, antes de planchar un área visible. Empiece con una temperatura baja y aumentela gradualmente hasta encontrar la temperatura apropiada.
- Cuando cambie la temperatura de un valor alto a un valor bajo, deje pasar aproximadamente 5 minutos para llegar a la temperatura menor.
- Cuando planche al vapor, utilice pasadas largas y lentas de la plancha sobre la tela. Esto permitirá que el vapor penetre en la tela y que el calor de la placa de base seque la humedad.
- Para planchar prendas de lino, voltee de adentro para afuera la prenda. Tenga cuidado de no usar una plancha demasiado caliente porque el forro puede derretirse o adherirse a la placa de base.
- Para planchar cremalleras, use un paño de planchar o asegúrese de que la cremallera esté cerrada y planche sobre la solapa. Nunca planche directamente sobre una cremallera desprotegida.
- Use la Guía de Planchado que se proporciona para seleccionar el mejor método y regulación para la tela que va a planchar.

GUÍA DE PLANCHADO

TELA	SELECCIÓN DE VAPOR SUGERIDA	DISCO DE SELECCIÓN DE TELA	RECOMENDACIONES DE PLANCHADO
Acrílico	○/Off (Dry) ○/Apagado (Seco)	Synthetic (Sintética)	Planche la prenda por el revés.
Acetato	○/Off (Dry) ○/Apagado (Seco)	Synthetic (Sintética)	Planche la prenda por el revés mientras está húmeda.
Poliéster	○/Off (Dry) ○/Apagado (Seco)	Synthetic (Sintética)	Planche la prenda por el revés mientras está húmeda.
Rayón	○/Off (Dry) ○/Apagado (Seco)	Synthetic (Sintética)	Planche la prenda por el revés mientras está húmeda.
Seda	○/Off (Dry) ○/Apagado (Seco)	Silk (Seda)	Planche la prenda por el revés.
Viscosa	○/Off (Dry) ○/Apagado (Seco)	Silk (Seda)	Planche la prenda por el revés o use un paño de planchar* para evitar marcas brillosas.
Nylon	○/Off (Dry) ○/Apagado (Seco)	Synthetic (Sintética)	Planche la prenda principalmente en seco; se puede usar vapor según las instrucciones del fabricante de la prenda.
Lana	Steam (Vapor)	Wool (Lana)	Planche la prenda por el revés o use un paño de planchar.*
Combinaciones de Lana	Steam (Vapor)	Wool (Lana)	Planche la prenda por el revés o use un paño de planchar.*
Combinaciones de Algodón	Steam (Vapor)	Cotton (Algodón)	Siga las instrucciones del fabricante de la prenda. Use la selección que corresponde a la fibra que requiere la selección más baja.
Corduroy	Steam (Vapor)	Cotton (Algodón)	Planche la prenda por el revés o use un paño de planchar* y luego cepille la prenda con la mano para levantar la textura de la tela.
Algodón	Steam (Vapor)	Cotton (Algodón)	Planche las telas oscuras por el revés para evitar marcas brillosas.
Lino	Steam (Vapor)	Linen (Lino)	Planche la prenda por el revés o use un paño de planchar* para evitar marcas brillosas (<i>especialmente en telas oscuras</i>).
Mezclilla/Jean	Steam (Vapor)	Linen (Lino)	Use la función SPRAY MIST® a fin de lograr una penetración más profunda para eliminar las arrugas.

*Un paño de planchar es una tela de algodón lavada en seco que se coloca sobre la prenda que se está planchando para evitar que se vea brillante.

NOTA: Algunas telas pueden necesitar más vapor que otras. Su plancha tiene la capacidad de regular el vapor conforme se necesite.

GARANTÍA LIMITADA DE LA HOSPITALIDAD DE 2 AÑOS (4211-099)

Sunbeam Products, Inc. (“Sunbeam”) o si en Canada, Sunbeam Corporation (Canada) limited (colectivamente “Sunbeam”) garantiza que durante un período de 2 años a partir de la fecha de compra, este producto estará libre de defectos de material y mano de obra. Sunbeam, a su discreción, reparará o cambiará este producto o cualquier componente del mismo que se halle defectuoso dentro del período de garantía. El reemplazo se hará con un producto o componente nuevo o remanufacturado. Si el producto ya no está disponible, el reemplazo se realizará con un producto similar de igual o mayor valor. Esta es su garantía exclusiva.

Esta garantía es válida para el comprador original a partir de la fecha de compra y no es transferible. Los distribuidores o Centros de Servicio Sunbeam no tienen el derecho de alterar, modificar o de manera alguna cambiar los términos y condiciones de esta garantía.

Esta garantía no cubre el desgaste como resultado del uso normal o daño de las partes como consecuencia del uso negligente o mal uso del producto, utilización de un voltaje o corriente inadecuados, uso contrario a las instrucciones de uso, desmontaje, reparación o alteración por cualesquier agente ajeno a Sunbeam o a sus Centros de Servicio Autorizados. Más aún, la garantía no cubre actos de Dios, tales como incendios, inundación, huracanes y tornados.

Sunbeam no es responsable por daños ocurridos como resultado de la violación de los términos de la garantía. Excepto hasta donde lo prohíben las leyes aplicables, cualquier garantía de comercialización o aptitud tiene una duración limitada a los términos de la garantía antes detallada. Algunos estados, jurisdicciones o provincias no permiten la exclusión o limitación de los daños consecuentes o incidentales o limitaciones respecto de la duración de la garantía, de modo que las antes citadas limitaciones y exclusiones pueden no aplicar a Ud. Esta garantía le brinda derechos legales específicos, además de otros derechos que Ud. pueda tener según sean las leyes de su estado o provincia.

COMO OBTENER SERVICIO DE GARANTÍA

Contacte a su Distribuidor Sunbeam Autorizado.

www.sunbeamhospitality.com

GARANTÍA LIMITADA DE LA HOSPITALIDAD DE 1 AÑO (4215-099)

Sunbeam Products, Inc. (“Sunbeam”) o si en Canada, Sunbeam Corporation (Canada) limited (colectivamente “Sunbeam”) garantiza que durante un período de 1 año a partir de la fecha de compra, este producto estará libre de defectos de material y mano de obra. Sunbeam, a su discreción, reparará o cambiará este producto o cualquier componente del mismo que se halle defectuoso dentro del período de garantía. El reemplazo se hará con un producto o componente nuevo o remanufacturado. Si el producto ya no está disponible, el reemplazo se realizará con un producto similar de igual o mayor valor. Esta es su garantía exclusiva.

Esta garantía es válida para el comprador original a partir de la fecha de compra y no es transferible. Los distribuidores o Centros de Servicio Sunbeam no tienen el derecho de alterar, modificar o de manera alguna cambiar los términos y condiciones de esta garantía.

Esta garantía no cubre el desgaste como resultado del uso normal o daño de las partes como consecuencia del uso negligente o mal uso del producto, utilización de un voltaje o corriente inadecuados, uso contrario a las instrucciones de uso, desmontaje, reparación o alteración por cualesquier agente ajeno a Sunbeam o a sus Centros de Servicio Autorizados. Más aún, la garantía no cubre actos de Dios, tales como incendios, inundación, huracanes y tornados.

Sunbeam no es responsable por daños ocurridos como resultado de la violación de los términos de la garantía. Excepto hasta donde lo prohíben las leyes aplicables, cualquier garantía de comercialización o aptitud tiene una duración limitada a los términos de la garantía antes detallada. Algunos estados, jurisdicciones o provincias no permiten la exclusión o limitación de los daños consecuentes o incidentales o limitaciones respecto de la duración de la garantía, de modo que las antes citadas limitaciones y exclusiones pueden no aplicar a Ud. Esta garantía le brinda derechos legales específicos, además de otros derechos que Ud. pueda tener según sean las leyes de su estado o provincia.

COMO OBTENER SERVICIO DE GARANTÍA

Contacte a su Distribuidor Sunbeam Autorizado.

www.sunbeamhospitality.com

PRECAUÇÕES IMPORTANTES

Sempre que utilizar o seu ferro elétrico, você deve tomar algumas medidas básicas de segurança, como as que seguem:

LEIA TODAS AS INSTRUÇÕES ANTES DO USO

- Utilize o ferro elétrico somente para o que ele foi designado.
- Para evitar risco de choque elétrico, não submerja o fio, ou a tomada ou o aparelho em água ou em qualquer outro líquido.
- O disco de seleção de tecido e alavanca de vapor devem estar sempre em posição de “O/OFF” (Desligado) antes de conectá-lo ou desconectá-lo da tomada. Nunca puxe o fio elétrico para desconectá-lo da tomada; pelo contrário, segure o plugue e desconecte-o.
- Não permita que o fio elétrico toque superfícies quentes. Deixe que o ferro elétrico se esfrie completamente antes de guardá-lo. Enrole o fio ao redor do ferro elétrico para guardá-lo.
- Sempre desconecte o ferro elétrico da tomada quando estiver enchendo-o de água ou esvaziando-o e também quando este não estiver em uso.
- Não opere o ferro de passar se este foi caído ou estiver danificado. Para evitar o risco de curto circuito, não abra ou desmonte o ferro elétrico. Leve-o para um centro de serviço autorizado para consertos e/ou reparos. Se o ferro elétrico for aberto ou desmontado incorretamente, pode haver risco de descargas elétricas quando for utilizá-lo.
- É necessário manter uma supervisão muito próxima quando este aparelho for usado por, em ou perto de crianças. Não deixe o ferro de passar desacompanhado enquanto estiver na tomada ou ligado ou na tábua de passar.
- Podem ocorrer queimaduras se tocar nas partes metálicas quentes, água quente ou vapor. Tome cuidado ao virar um ferro de passar para baixo – poderá ainda haver água quente no reservatório de água.
- Se o ferro elétrico não estiver funcionando normalmente desconecte-o da tomada e chame seu Distribuidor do Hospitalidade Sunbeam mais próximo em 1-888-878-6232, extensão 66598.
- Seu ferro elétrico SUNBEAM® foi modelado para descansar sobre sua base posterior. Não deixe o ferro de passar desacompanhado. Não coloque o ferro elétrico sobre uma superfície sem proteção, mesmo quando estiver sobre sua base de descanso.

INSTRUÇÕES ESPECIAIS

- Este aparelho é de 1200 Watts* de potência. Para evitar que o circuito elétrico se sobrecarregue, não use outro aparelho de alta potência no mesmo circuito.
- Se um fio de extensão for absolutamente necessário, um fio de 15 ampères deve ser usado. Fios com amperagem menor podem esquentar-se muito. Tenha cuidado quando colocar o fio de extensão para que ninguém chute, pise ou tropeçe nele.

PARA PRODUTOS COMPRADOS SOMENTE NOS ESTADOS UNIDOS E CANADÁ
Para evitar risco de choque elétrico, este aparelho conta com um plug polarizado (*um dos contatos é mais largo do que outro*). Este plug encaixa-se somente em um plug unidirecional polarizado. Se o plug não se encaixar totalmente dentro da tomada, inverta o mesmo. Se ainda assim não encaixar, contate um electricista competente. Não tente desativar este recurso de segurança.

GUARDE ESTAS INSTRUÇÕES

PARA USAR A OPÇÃO DE SHOT OF STEAM®:

Coloque o ferro no topo da ruga e pressione o botão de SHOT OF STEAM® cada vez que você desejar uma rajada extra de vapor. A opção de SHOT OF STEAM® pode ser usada continuamente com somente uma pausa curta entre rajadas.

VAPOR VERTICAL (Alguns Modelos Somente)

A opção de vapor vertical permite que o ferro funcione como um Vaporizador de roupa.

DICA: Quando estiver usando o vapor vertical em roupas, pendure a roupa num cabide para melhores resultados. Cortinas de pendurar podem também ser vaporizadas.

PARA USAR O VAPOR VERTICAL:

1. Certifique-se que o ferro está esquentado (2 minutos)
2. Segure o ferro numa posição vertical, com o ferro perto mas não tocando o tecido que você quer vaporizar.
3. Com a outra mão, puxe o tecido firmemente.
4. Pressione o botão de SHOT OF STEAM® por aproximadamente 3 segundos de intervalos conforme você move o ferro através a área enrugada.

AVISO: Para prevenir o risco de queimaduras, mantenha sua mão longe da área a ser vaporizada.

AVISO: NÃO vaporize peças de roupa enquanto estiverem vestidas; isto pode causar ferimentos.

MOTION SMART® PARA DESLIGAMENTO AUTOMÁTICO PATENTEADO

Quando o ferro estiver ligado na tomada, a Lâmpada Piloto ficará ligada constantemente, indicando que o ferro está ligado.

Se você deixar o ferro:

- numa posição horizontal sem move-lo, ou acidentalmente deixar o ferro cair, este irá parar de esquentar automaticamente em 30 segundos. A luz contida no cabo piscará para indicar que o ferro desligou-se automaticamente e continuará a piscar até que o ferro seja reiniciado ou desconectado.
- numa posição vertical (*sobre a sua base de descanso*) sem move-lo, o ferro elétrico deixará de esquentar em 15 minutos. A luz contida no cabo piscará para indicar que o ferro desligou-se automaticamente e continuará a piscar até que o ferro seja reiniciado ou desconectado.

IMPORTANTE: A luz continuará a piscar até que o ferro seja reiniciado ou desconectado.

PARA RESTAURAR O FERRO DE PASSAR:

Mova o ferro para frente e para atrás e o deixe esquentar por 2 minutos. O indicador irá parar de piscar e o ferro começara a esquentar novamente.

AVISO: O MOTION SMART® para desligamento automático é uma característica de segurança e não é um meio recomendado para desligar seu ferro de passar. Olhe “Cuidados para seu Ferro de Passar Depois de Usado” para informação sobre desligando seu ferro e guardando este seguramente entre usos.

O SISTEMA DO ANTI-CÁLCIO (Alguns Modelos Somente)

O sistema do Anti-Cálcio é um sistema permanente situado dentro do reservatório da água. Este sistema remove o cálcio da água e reduz o acúmulo do cálcio no chapa.

A SEÇÃO RETRÁTIL DO CABO (Alguns Modelos Somente)

1. Ao enrolar o cabo, prende o plugue com uma mão, e pressiona a tecla do enrolamento com a outra mão. (*A falha prender o plugue pode fazer com que o plugue voe*).
2. O carretel do cabo é compacto para o enrolamento multi-camada do cabo. Caso que o cabo não é rebobinado inteiramente, retire o cabo e dirija o cabo uniformemente no carretel.
3. Caso que o cabo não é retirado facilmente, puxe o cabo firmemente.
4. Selecione a quantidade de cabo desejada antes de conectar o plugue em uma tomada elétrica.
5. Não permita que as crianças usem a característica retrátil do cabo como o cabo pode causar ferimento.

CUIDADOS PARA SEU FERRO DE PASSAR DEPOIS DE USADO DESLIGANDO SEU FERRO DE PASSAR

1. Gire a Alavanca de Vapor para **○/OFF** (Seco) e a Corrediça para Seleção de Tecido para OFF.
2. Desconecte o ferro da tomada.

AVISO: NUNCA arranque a corda elétrica quando o estiver tirando da tomada. Isto pode danificar a corda.

GUARDANDO SEU FERRO DE PASSAR

1. Permita que o ferro esfrie.
2. Se você não usa o ferro de passar diariamente, esvazie o reservatório de água depois de cada uso para duramento mais longo do seu ferro de passar. Para fazer isso, tire-o da tomada, para modelos com corda somente. Agite o ferro suavemente para remover gotas d'água restantes.
3. Em modelos com um cabo somente: Enrole o cabo de alimentação sem apertar em volta do envoltório do cabo de alimentação. Guarde sempre o ferro sobre o seu suporte.

IMPORTANTE: Enrolar a corda em volta do ferro muito apertado pode danificar a corda.

DICA: Quando não estiver usando o ferro, gire a Alavanca de Vapor para **○/OFF** (Seco) e a corrediça para Seleção do Tecido para OFF (Desligado).

MANUTENÇÃO DO SEU FERRO DE PASSAR STEAM MASTER® LIMPEZA DA PLACA ÚNICA

Limpe a placa se amido ou outros resíduos acumularem.

PARA LIMPAR A PLACA ÚNICA:

1. Deixe que o ferro esfrie e limpe-o com um pano úmido e macio.
- AVISO:** NÃO use produtos abrasivos, esponja de aço ou vinagre para limpar a placa. Pois estes poderão riscar a chapa.
2. Passe o ferro sobre um pano de algodão para remover qualquer resíduo.

USANDO A AUTO LIMPEZA

Você deve usar a Auto Limpeza uma vez por mês para manter o melhor desempenho do seu ferro de passar.

PARA USAR A AUTO LIMPEZA:

1. Mova a alavanca de Vapor para frente e para atrás da posição de **○/OFF** (Desligado/Seco) várias vezes para remover restos e minerais da Válvula de Vapor. Isto permite que a água continue passando para a câmara de vapor.

MANUTENÇÃO

LIMPANDO O SISTEMA ANTI CÁLCIO *(Alguns Modelos Somente)*

O ferro STEAM MASTER® abriga um filtro anti cálcio no reservatório, no qual elimina impurezas na água.

Para prolongar a eficiência deste filtro.

1. Desligue o ferro da tomada e deixe esfriar.
2. Licalize o copo para água que acompanha o ferro de passar. Encha de água até o símbolo da Sunbeam no topo do canto direito. Adicione 1 colher de chá de sal na água e encha o reservatório com esta solução.
3. Deixe a solução no reservatório de água por 15 minutos, e depois o esvazie.
4. Encha o reservatório de água uma segunda vez com a solução de água com sal e o esvazie novamente depois de 15 minutos.
5. Encha o tanque com água fresca para enxaguar e esvazie.

O sistema anti cálcio deve ser limpo aproximadamente uma vez por mês.

DICAS DE COMO PASSAR

- Sempre leia as etiquetas das peças de roupa e siga as instruções de passar do fabricante.
- Separe os artigos a serem passados de acordo com o tipo de tecido.
- Você deve sempre passar peças que requerem temperaturas baixas primeiro *(ex. sedas e sintéticos)* para evitar de estraga-las com um ferro que está muito quente.
- Se você não estiver certo do tipo de tecido da peça de roupa, teste uma área pequena, como emenda, antes de passar uma área visível. Comece com uma temperatura baixa e aumente a temperatura gradualmente para achar o melhor ajuste.
- Quando estiver trocando de temperatura de um ajuste de temperatura alta para um ajuste de temperatura baixa, deixe aproximadamente 5 minutos para que a temperatura baixa seja alcançada.
- Quando estiver usando o ferro a vapor, use passadas longas e lentas sobre o tecido. Isto permitirá que o vapor penetre o tecido enquanto permite que o calor da placa seque a umidade.
- Para passar linhos, vire a peça ao avesso. Tenha cuidado para não passar com um ferro que está muito quente porque o forro poderá derreter ou grudar na placa.
- Para passar zippers, use um pano de passar ou cerifique-se que o zipper está fechado e passe sobre a aleta. Nunca passe diretamente sobre um zipper desprotegido.
- Use o Guia de Passar para selecionar o melhor ajuste e método para o tecido que você paneja passar.

MODO DE PASSAR A FERRO

TECIDO	AJUSTE DE VAPOR SUGERIDAS	AJUSTE DE SELEÇÃO DE TECIDO	RECOMENDAÇÃO DE COMO PASSAR
Acrílicos	O/Off (Dry)	Sintético	Passa a seco do avesso.
Acetato	O/Off (Seco)	Sintético	Passa o ferro do lado do avesso enquanto ainda estiver úmido.
Poliéster	O/Off (Seco)	Sintético	Passa o ferro do lado do avesso enquanto ainda estiver úmido.
Rayon	O/Off (Seco)	Sintético	Passa a seco do avesso.
Sedas	O/Off (Seco)	Sedas	Passa o ferro com o tecido do avesso. Use um pano para passar* para evitar a formação de marcas brilhantes.
Viscose	O/Off (Seco)	Sedas	Use o ferro a seco na maioria dos casos. O vapor pode ser usado sob instruções do fabricante.
Nylon	O/Off (Seco)	Sedas	Passa o ferro do lado do avesso enquanto ainda estiver úmido.
Lãs	Vapor	Lãs	Use o ferro a vapor com o tecido do avesso ou use um pano para passar o ferro*.
Lãs Mistas	Vapor	Lãs	Use o ferro a vapor com o tecido do avesso ou use um pano para passar o ferro*.
Algodões Mistos	Vapor	Algodão	Siga as instruções do fabricante. Use os ajustes para fibra que exijam o menor ajuste possível.
Veludo	Vapor	Algodão	Use o ferro a vapor com o tecido do avesso ou use um pano para passar o ferro* e então escova o tecido com sua mão para levantar a textura do tecido.
Algodão	Vapor	Algodão	Passa o tecidos escuros do avesso para evitar a formação de marcas brilhantes.
Linho	Vapor	Linho	Passa o ferro a seco com o tecido do lado do avesso ou use um pano para passar* para evitar a formação de marcas brilhantes <i>(especialmente em cores escuras)</i> .
Jeans	Vapor	Linho	Use the SPRAY MIST® e/ou SHOT OF STEAM® para penetração mais profunda para remover rugas.

*Um pano de passar é um pano de algodão lavado a seco que é colocado sobre o tecido que você está passando para prevenir o tecido de ficar brilhando.

Nota: Alguns tecidos podem precisar mais vapor que outros. Seu ferro tem a capacidade de ajustar o vapor quando necessário.

GARANTIA LIMITADA DA HOSPITALIDADE 2 ANOS (4211-099)

Produtos Sunbeam, Inc, ou se no Canada, Sunbeam Corporação (Canada) Limitada (coletivamente “Sunbeam”) garante que por um período de dois (2) anos a partir da data de compra, este produto estará livre de defeitos em material e mão-de-obra. Sunbeam, por opção, irá reparar ou substituir este produto ou qualquer componente do produto no qual for determinado defeituoso durante o período da garantia. Reposição será feito com um produto ou componente novo, ou refabricado. Se o produto não estiver mais deponível, reposição poderá ser feita com um produto similar de valor igual ou maior. Esta é sua garantia exclusiva.

Esta garantia é válida para o comprador original da indústria de hospitalidade a partir da data desta compra inicial e não é tranferível. Revendedores Sunbeam, centro de serviços, ou lojas que vendem produtos da Sunbeam não tem o direito de alterar, modificar ou de alguma maneira mudar os termos e condições desta garantia.

Esta garantia não cobre gasto normal das partes ou danos provenientes de qualquer de um dos segunte: uso negligente ou mal uso do produto, uso numa voltagem ou corrente inapropriada, uso contrário à das instruções de uso, desmontagem, reparo ou alteração por qualquer um que não seja Sunbeam ou um centro de serviço autorizado. Ademais, a garantia não cobre Atos de Deus, como incêndio, inundações, furacões ou tornados.

Sunbeam não será responsável por qualquer dano incidental ou conseqüente causado pela violação de qualquer expresso, garantia ou condição implicada ou estatutório.

Exceto à extensão proibida pela lei aplicável, qualquer garatia implicada de comercialidade ou aptidão para um propósito particular está limitado em duração à duração da garantia acima.

Sunbeam renuncia todas outras garantias, condições ou representações, expressa, implicada, estatutória ou de outra maneira.

Alguns estados, províncias ou jurisdições não permite a exclusão ou limitação de danos incidentais ou conseqüentes ou limitações sobre quanto tempo uma garantia implicada dura, então as limitações acima ou exclusão pode não referir à você.

Esta garantia lhe dá específicos direitos legais, e você também pode ter outros direitos que variam de estado à estado ou de província à província.

Esta garatia é somente aplicável para produtos comprados por membros da indústria de hospitalidade e não para vendas ao consumidor.

COMO OBTER SERVIÇO DE GARANTIA

Contatar seu distribuidor autorizado da Sunbeam.

www.sunbeamhospitality.com

GARANTIA LIMITADA DA HOSPITALIDADE 1 ANO (4215-099)

Produtos Sunbeam, Inc, ou se no Canada, Sunbeam Corporação (Canada) Limitada (coletivamente “Sunbeam”) garante que por um período de um (1) ano a partir da data de compra, este produto estará livre de defeitos em material e mão-de-obra. Sunbeam, por opção, irá reparar ou substituir este produto ou qualquer componente do produto no qual for determinado defeituoso durante o período da garantia. Reposição será feito com um produto ou componente novo, ou refabricado. Se o produto não estiver mais deponível, reposição poderá ser feita com um produto similar de valor igual ou maior. Esta é sua garantia exclusiva.

Esta garantia é válida para o comprador original da indústria de hospitalidade a partir da data desta compra inicial e não é tranferível. Revendedores Sunbeam, centro de serviços, ou lojas que vendem produtos da Sunbeam não tem o direito de alterar, modificar ou de alguma maneira mudar os termos e condições desta garantia.

Esta garantia não cobre gasto normal das partes ou danos provenientes de qualquer de um dos segunte: uso negligente ou mal uso do produto, uso numa voltagem ou corrente inapropriada, uso contrário à das instruções de uso, desmontagem, reparo ou alteração por qualquer um que não seja Sunbeam ou um centro de serviço autorizado. Ademais, a garantia não cobre Atos de Deus, como incêndio, inundações, furacões ou tornados.

Sunbeam não será responsável por qualquer dano incidental ou conseqüente causado pela violação de qualquer expresso, garantia ou condição implicada ou estatutório.

Exceto à extensão proibida pela lei aplicável, qualquer garatia implicada de comercialidade ou aptidão para um propósito particular está limitado em duração à duração da garantia acima.

Sunbeam renuncia todas outras garantias, condições ou representações, expressa, implicada, estatutória ou de outra maneira.

Alguns estados, províncias ou jurisdições não permite a exclusão ou limitação de danos incidentais ou conseqüentes ou limitações sobre quanto tempo uma garantia implicada dura, então as limitações acima ou exclusão pode não referir à você.

Esta garantia lhe dá específicos direitos legais, e você também pode ter outros direitos que variam de estado à estado ou de província à província.

Esta garatia é somente aplicável para produtos comprados por membros da indústria de hospitalidade e não para vendas ao consumidor.

COMO OBTER SERVIÇO DE GARANTIA

Contatar seu distribuidor autorizado da Sunbeam.

www.sunbeamhospitality.com

Free Manuals Download Website

<http://myh66.com>

<http://usermanuals.us>

<http://www.somanuals.com>

<http://www.4manuals.cc>

<http://www.manual-lib.com>

<http://www.404manual.com>

<http://www.luxmanual.com>

<http://aubethermostatmanual.com>

Golf course search by state

<http://golfingnear.com>

Email search by domain

<http://emailbydomain.com>

Auto manuals search

<http://auto.somanuals.com>

TV manuals search

<http://tv.somanuals.com>