

Sunbeam®

MODEL - MODELO

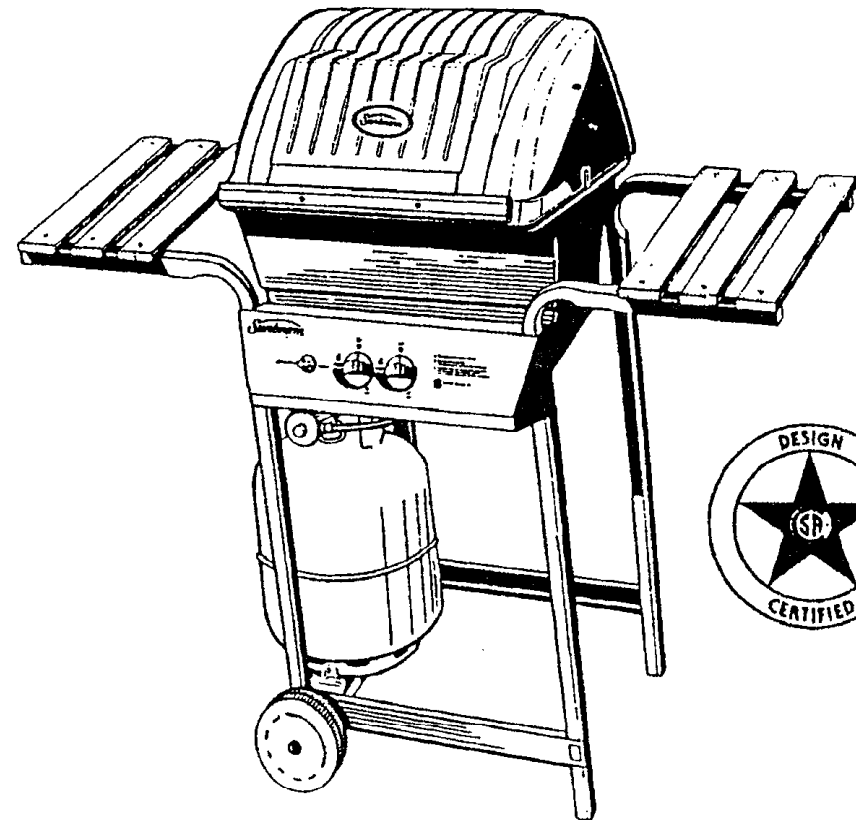
FG5303W

LOOK INSIDE FOR:

- EASY ASSEMBLY INSTRUCTIONS
- IMPORTANT WARRANTY INFORMATION
- SAFETY AND MAINTENANCE TIPS

NOTE:

- HARDWARE SHOWN ACTUAL SIZE IN MANUAL.
- FOR YOUR CONVENIENCE, EXTRA HARDWARE MAY BE INCLUDED.

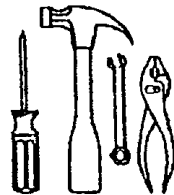


ASSEMBLER/INSTALLER:
LEAVE THESE INSTRUCTIONS WITH THE CONSUMER.

CONSUMER/USER:
READ ALL THESE INSTRUCTIONS AND KEEP THEM IN
A SAFE PLACE FOR FUTURE REFERENCE.

TOOLS REQUIRED

#2 PHILLIPS SCREWDRIVER
PLIERS
HAMMER
BOX END WRENCH



SMART CART

⚠ WARNING:

THE EDGES OF SHEET METAL PARTS CAN
CAUSE INJURY IF NOT HANDLED WITH CARE.
USE EXTREME CAUTION!

IMPORTANT!

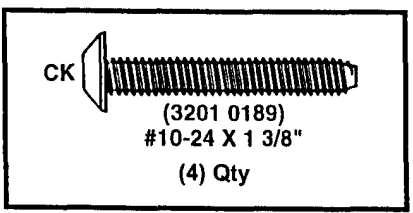
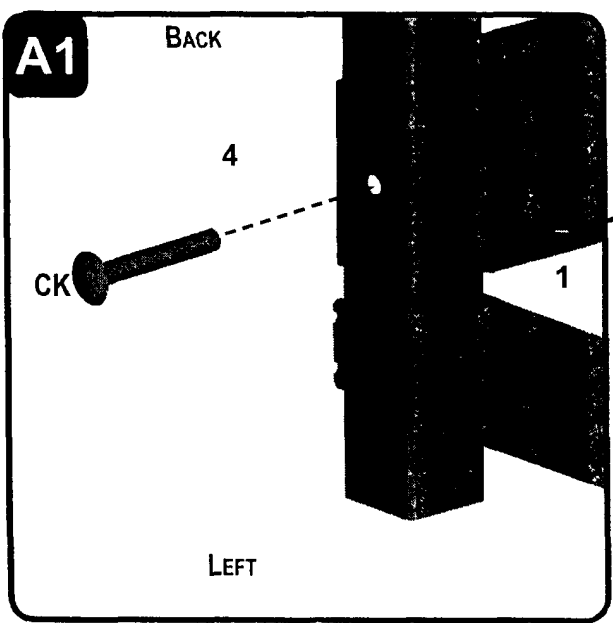
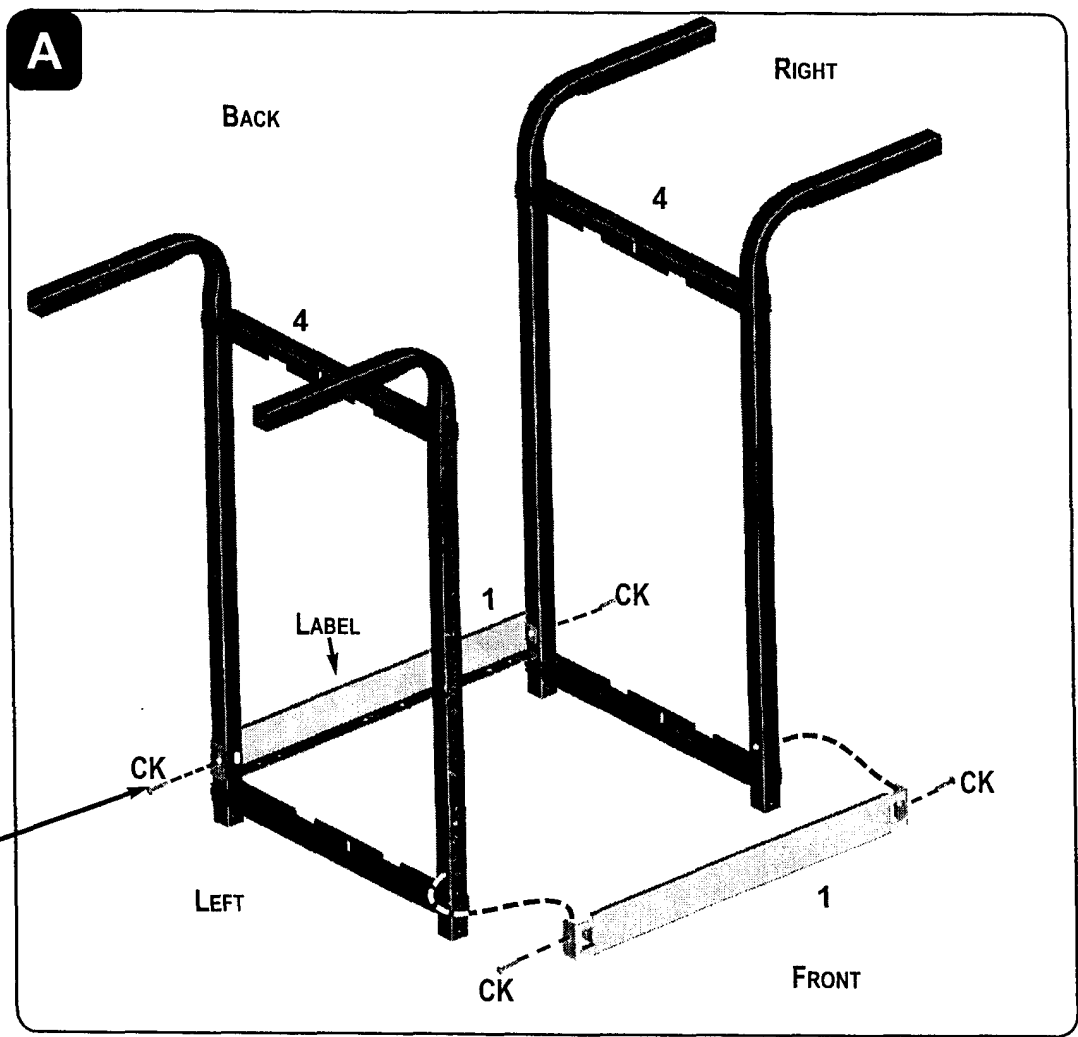
TO ENSURE PROPER GAS FLOW, BURNER
CONTROL VALVES MUST BE "OFF" BEFORE
OPENING THE GAS CYLINDER VALVE.

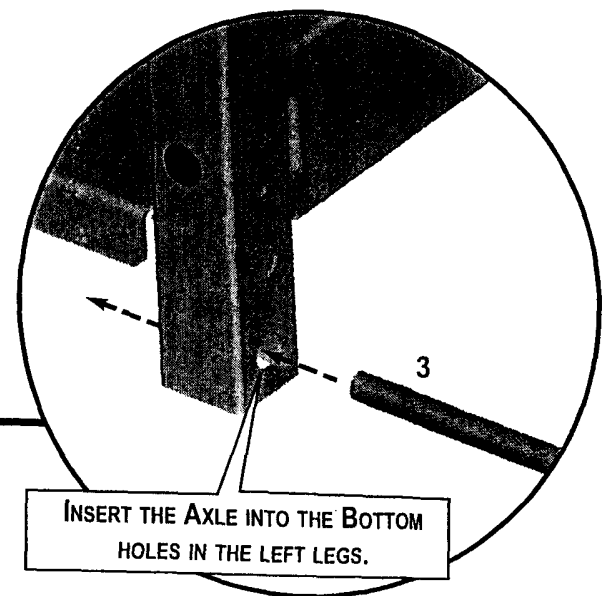
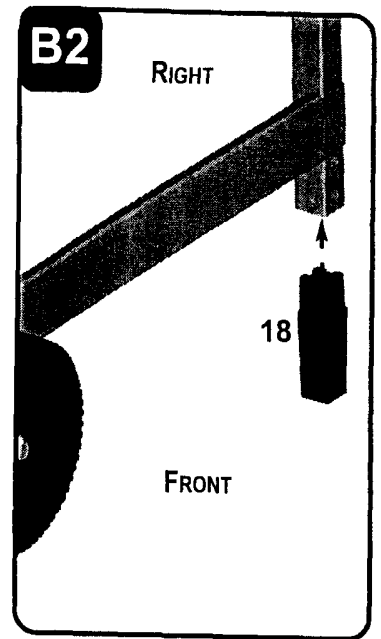
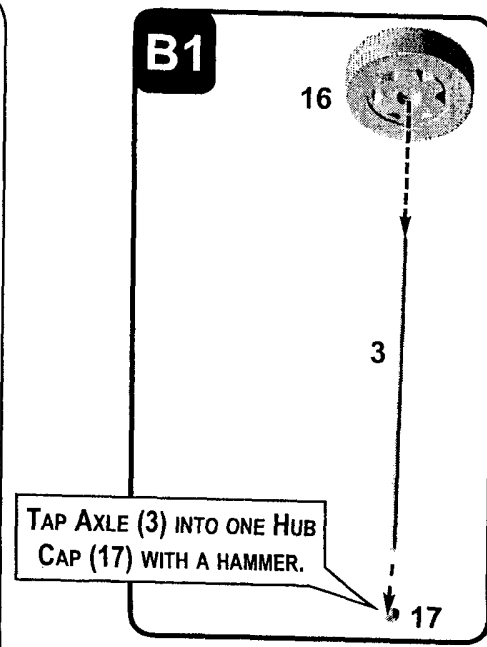
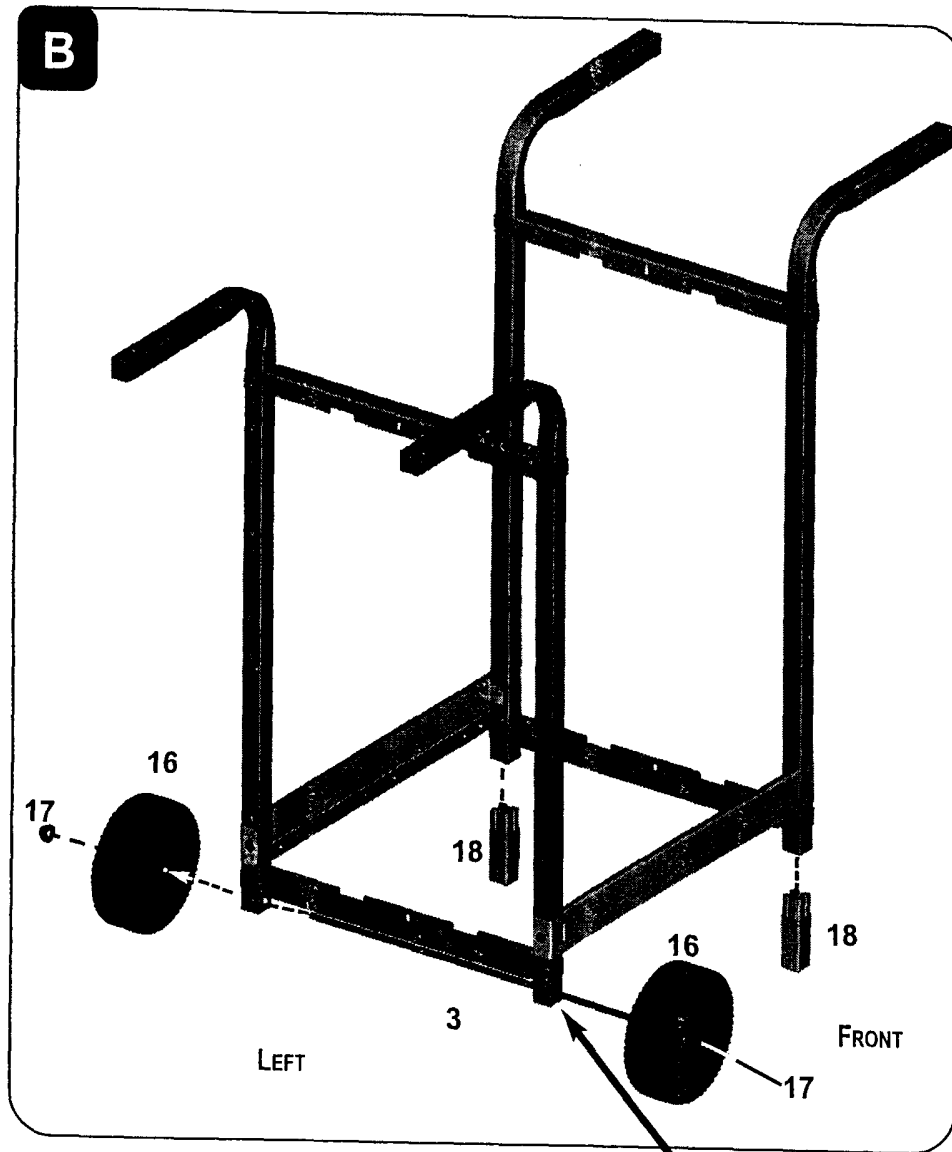
**ENGINEERING
CODE
SBA11235**

Sunbeam.
OUTDOOR COOKING
4101 Howard Bush Dr.
Neosho, Mo. 64850
INTERNET SITE:
www.bbqhq.com

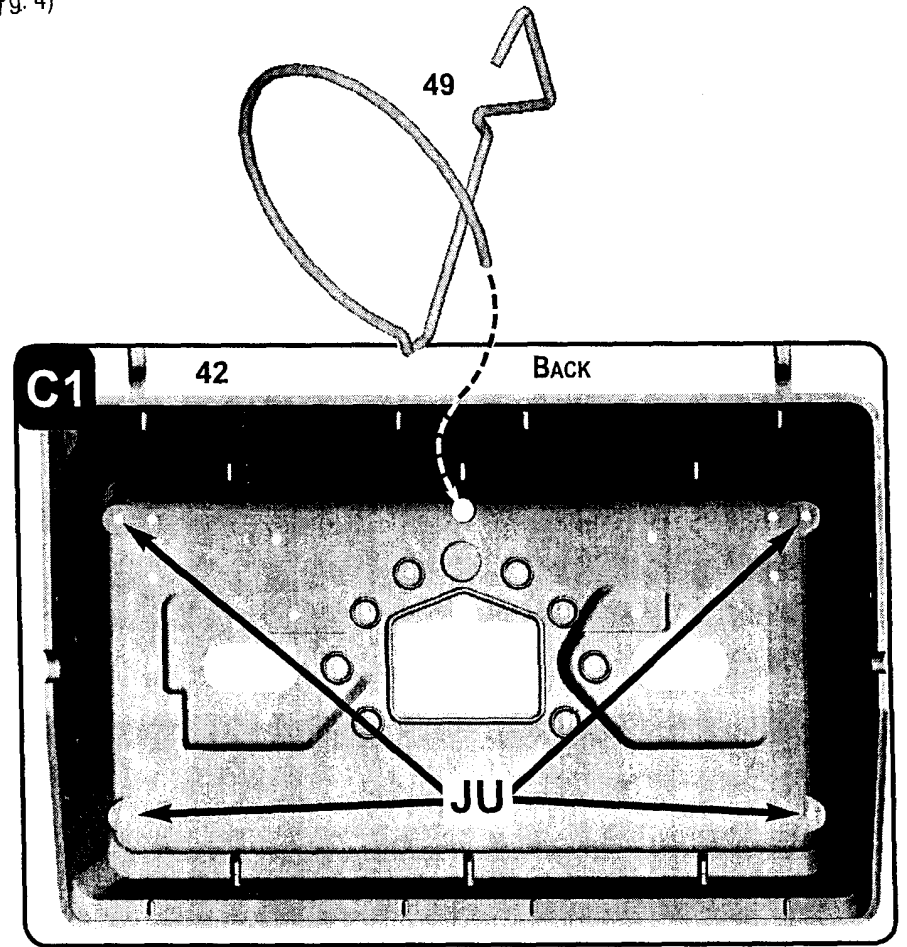
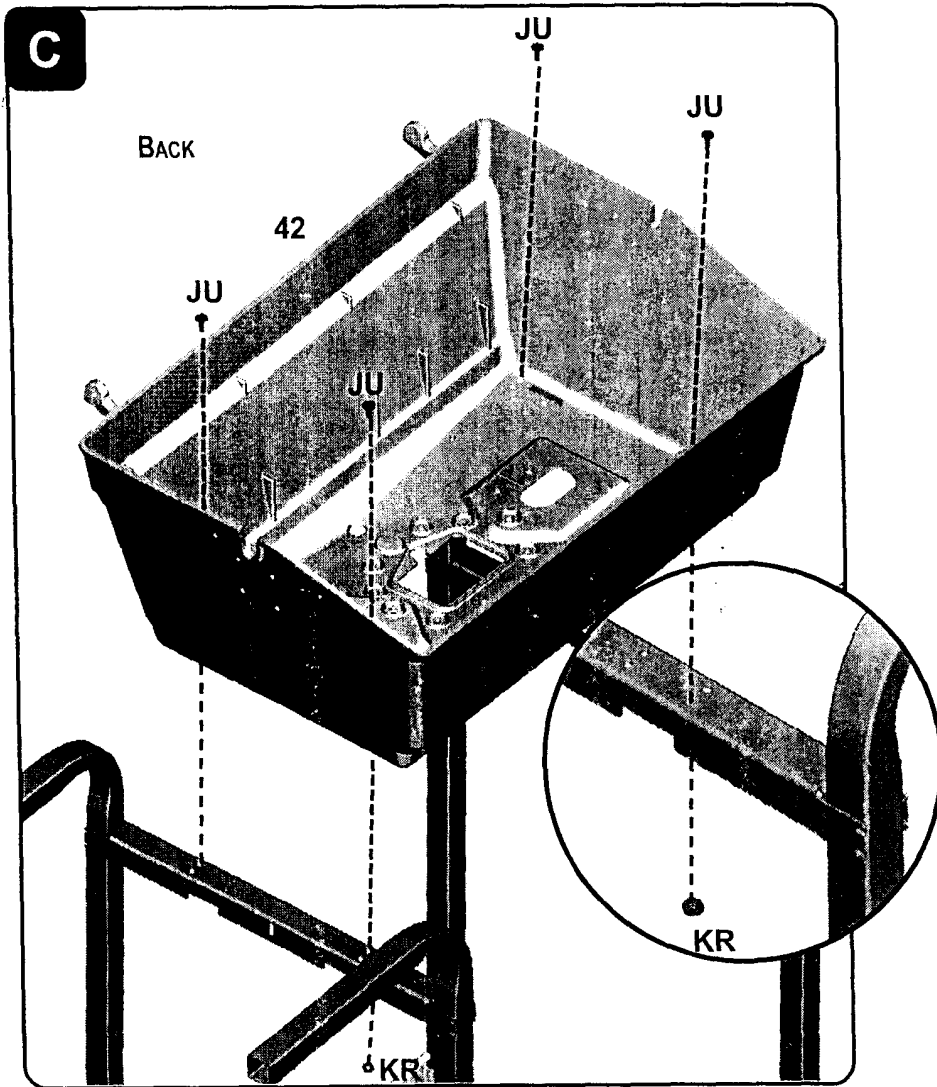
⚠ WARNING:



Combustion by-products produced when using this product contains chemicals known to the State of California to cause cancer, birth defects, or other reproductive harm.

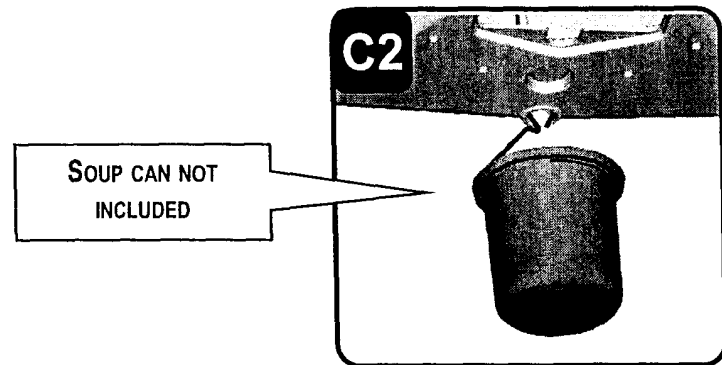


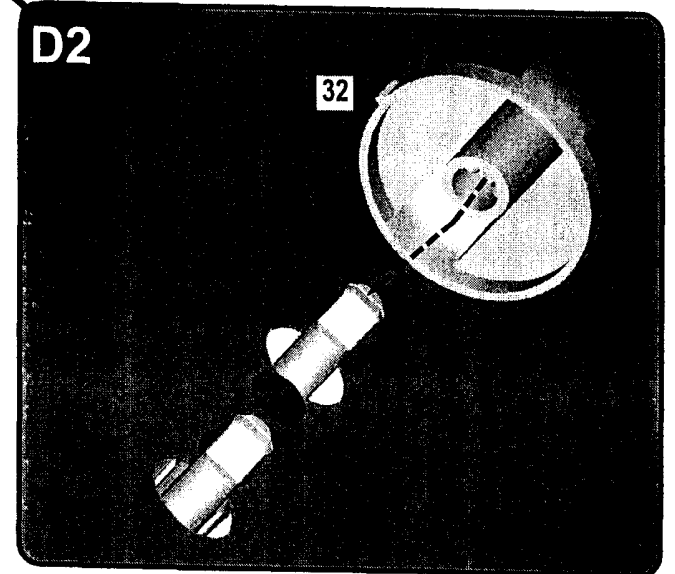
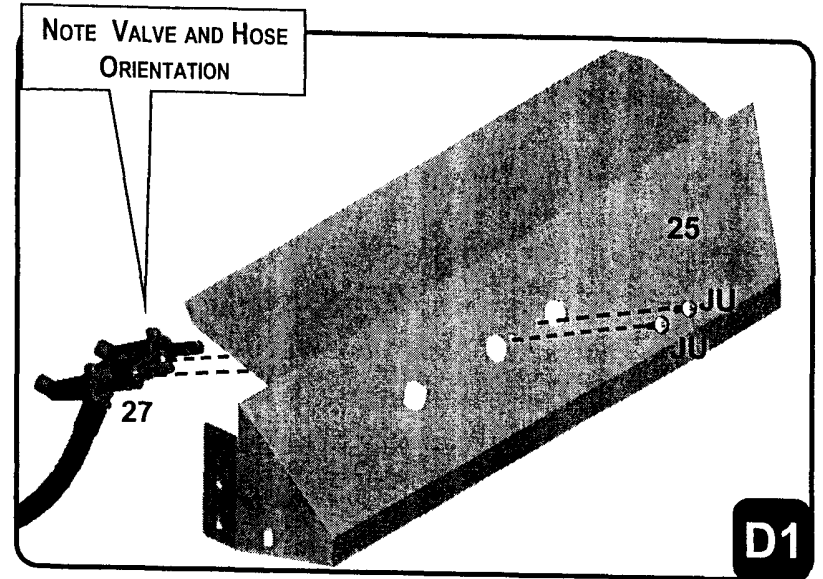
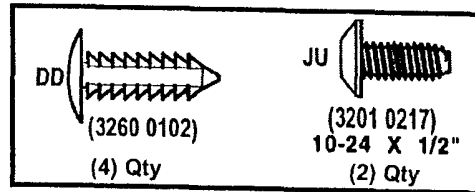
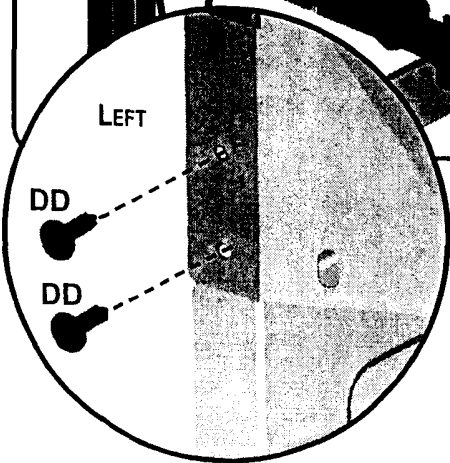
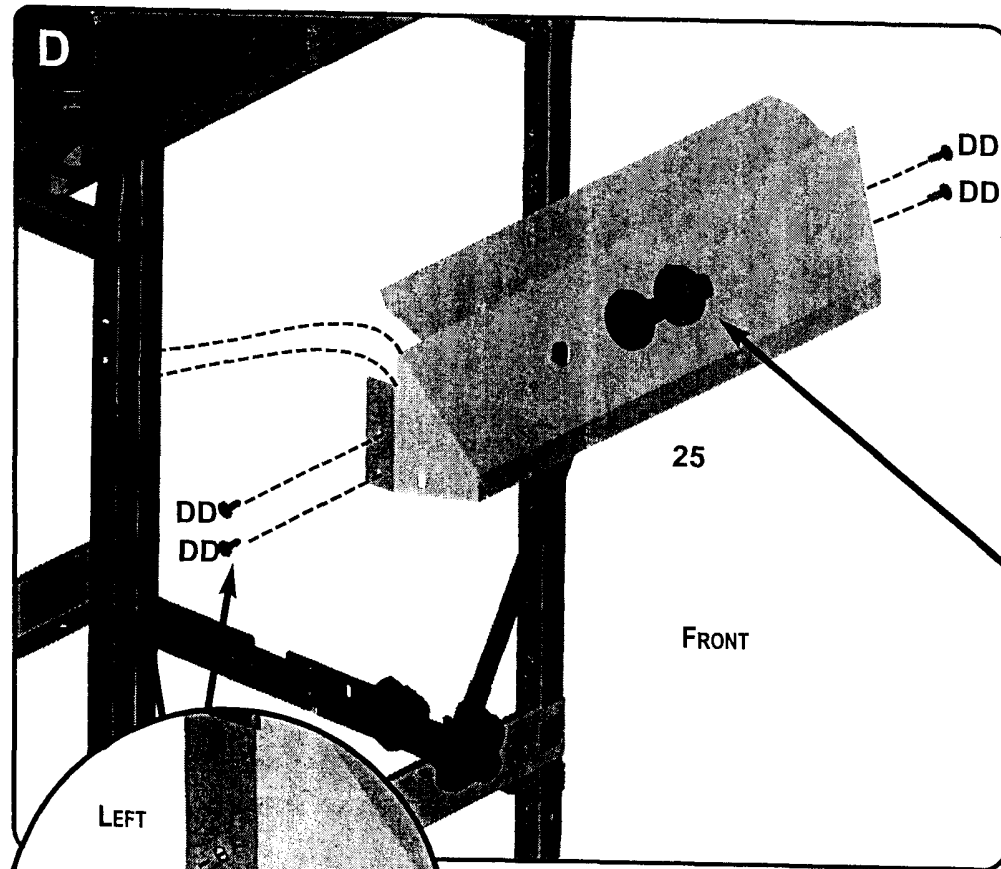


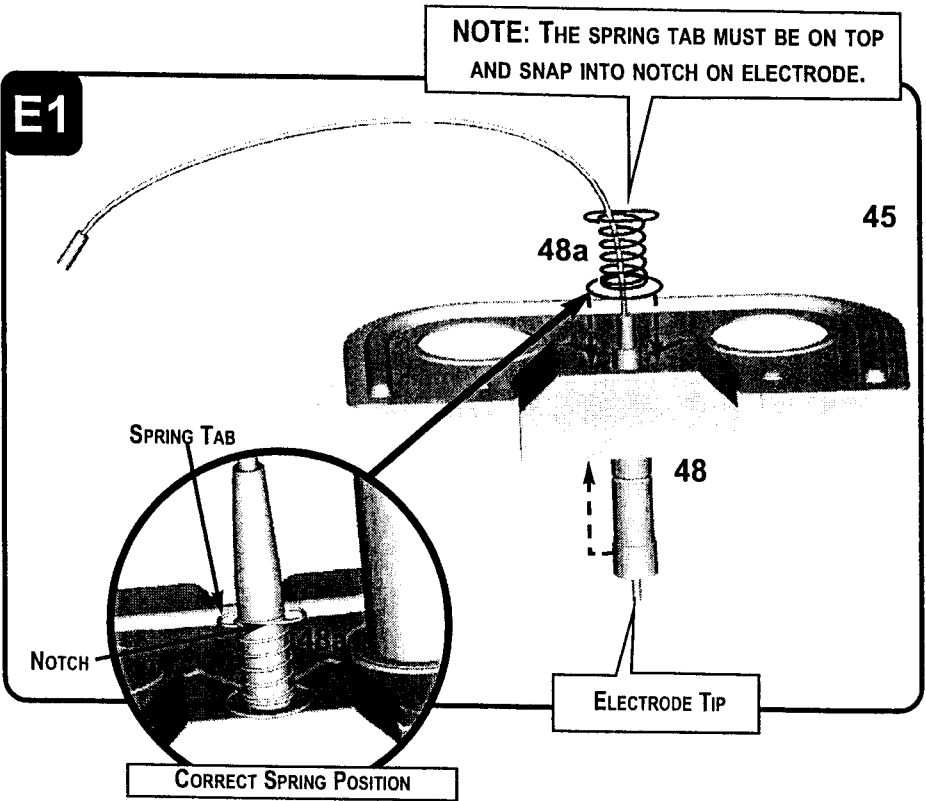
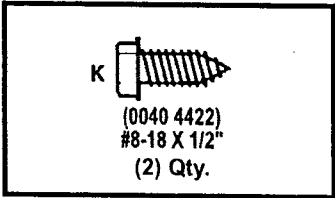
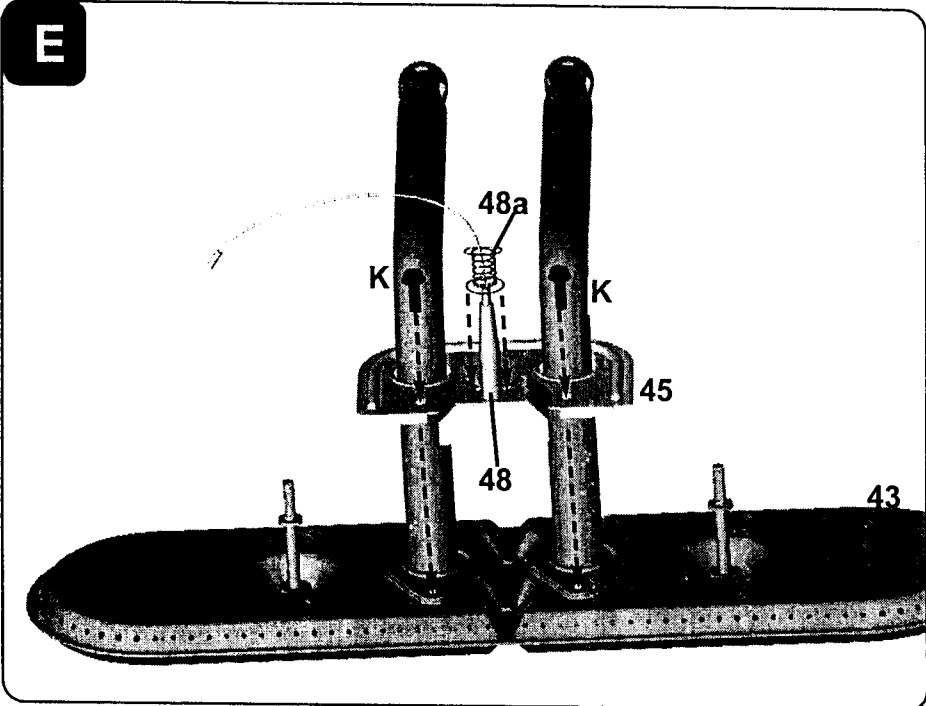
3)

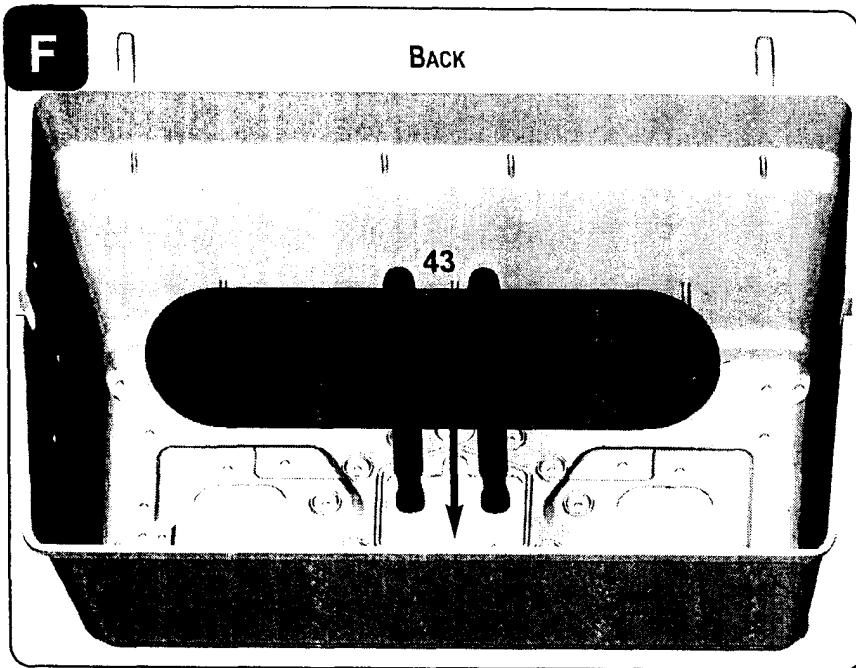


KR		JU	
(0040 4495)		(3201 0217)	
#10-24		10-24 X 1/2"	
(2) Qty		(4) Qty	

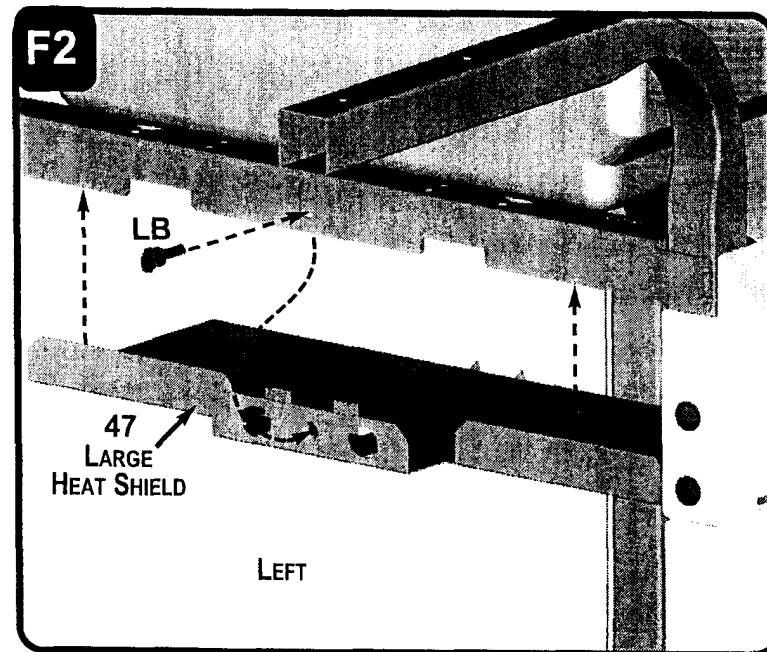
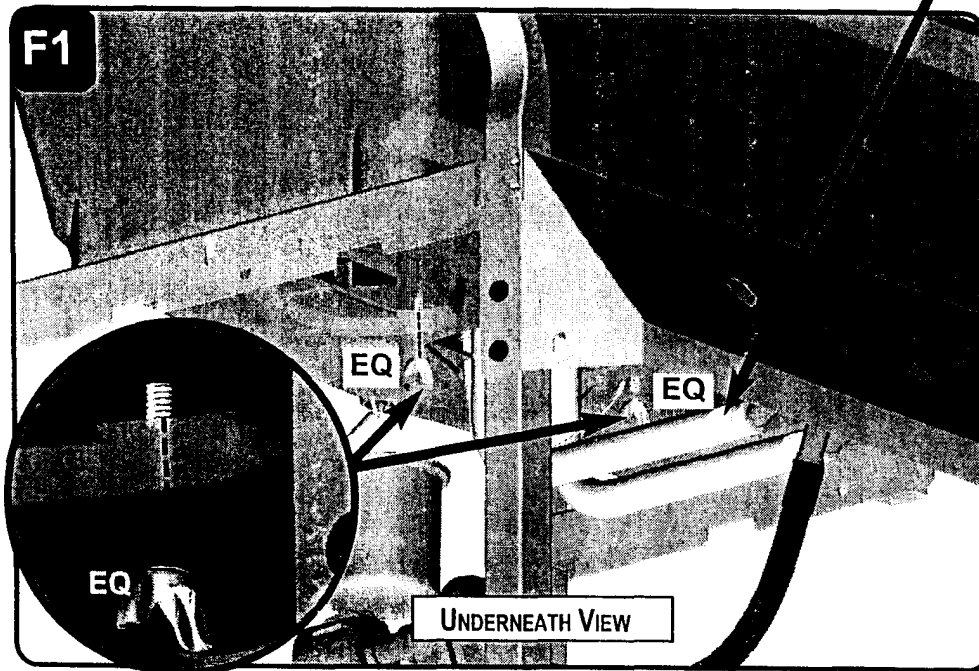
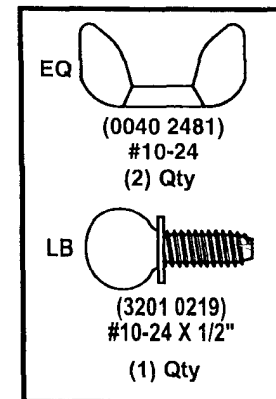
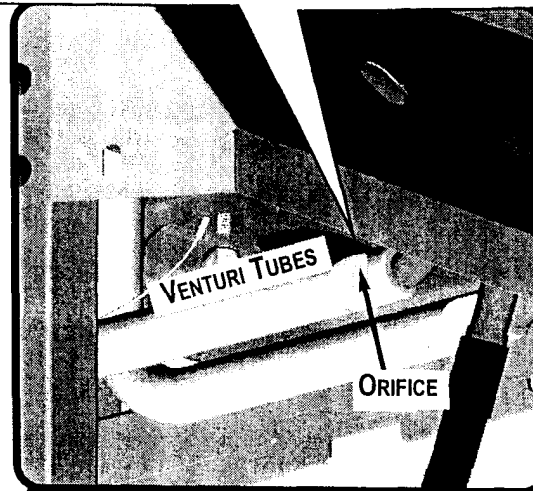




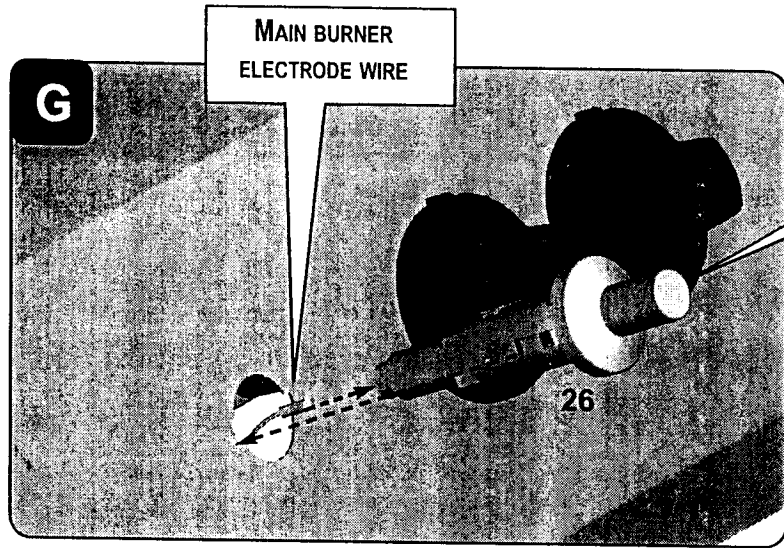




IMPORTANT: POSITION THE BURNER VENTURI TUBES OVER THE VALVE ORIFICES. THE ORIFICES MUST BE VISIBLE THROUGH THE VENTURI TUBE'S AIR OPENINGS.

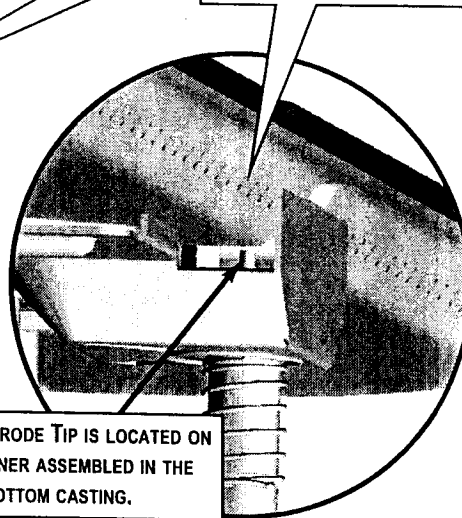


(Pg. 7)

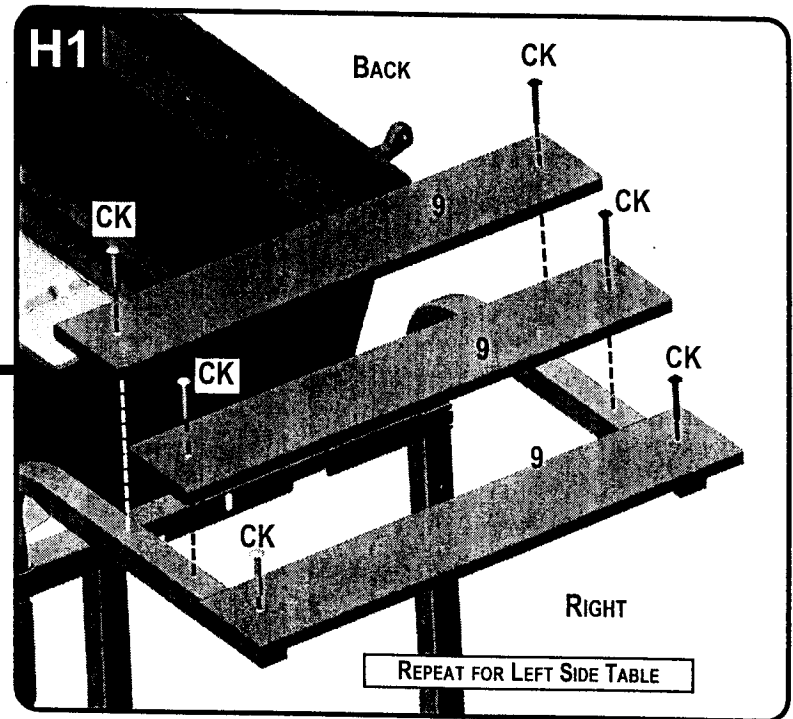
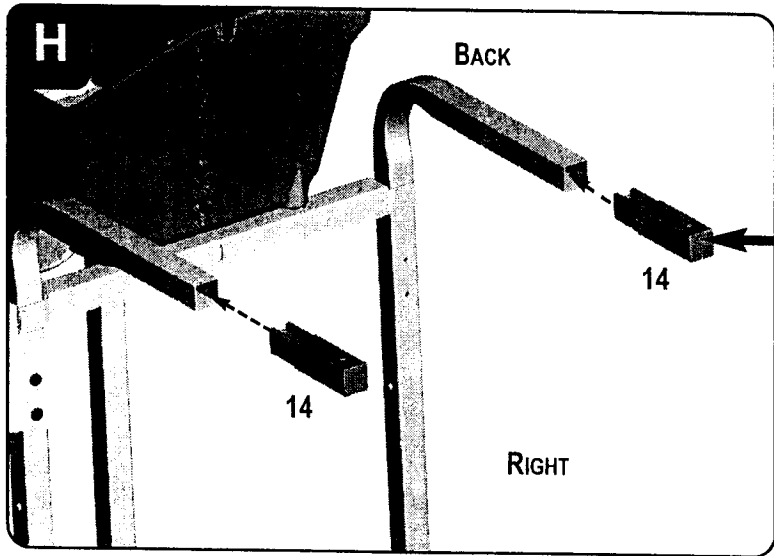
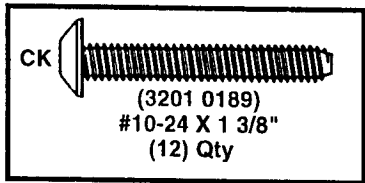


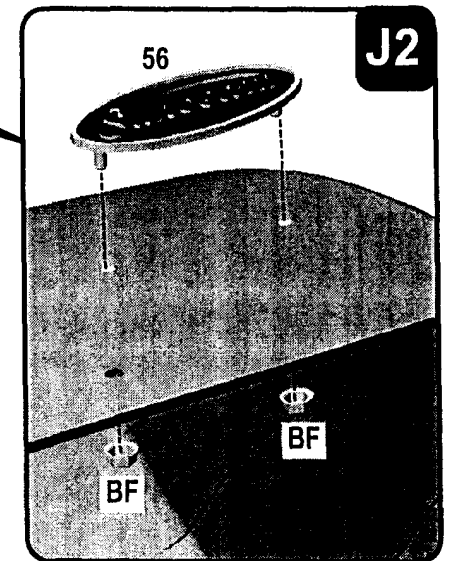
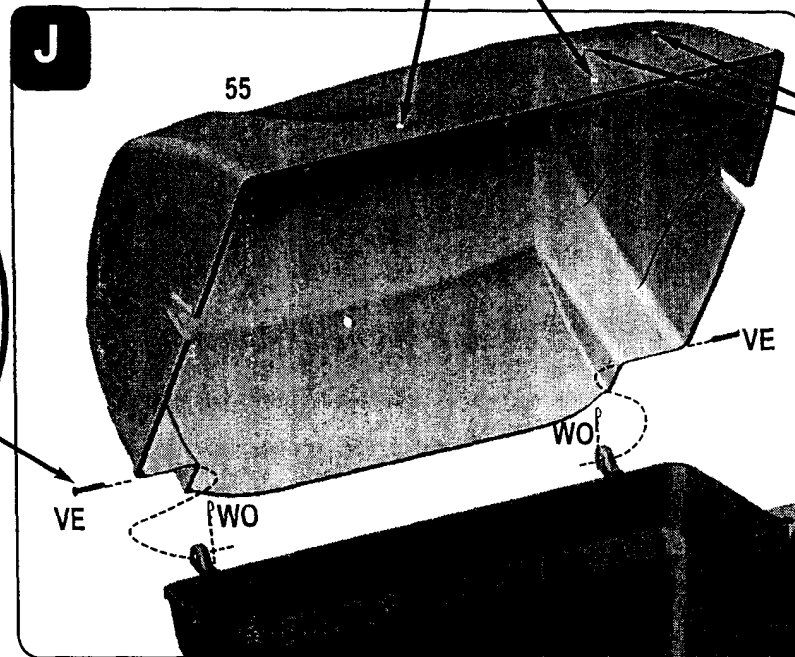
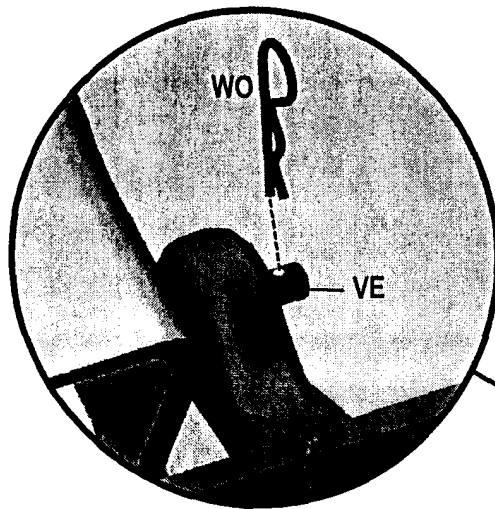
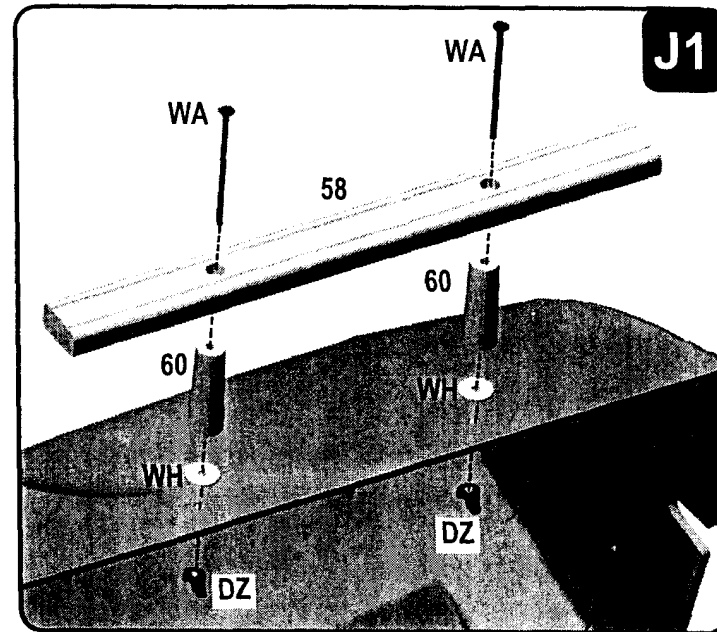
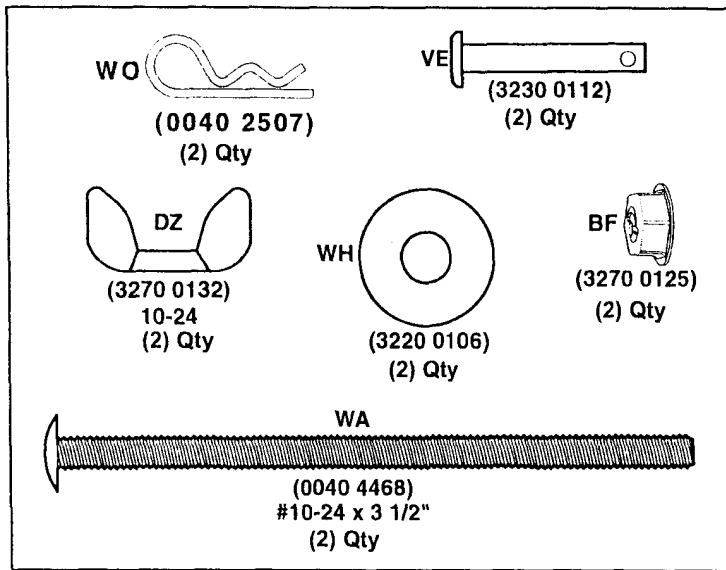
TEST THE IGNITER: A SPARK SHOULD APPEAR AT ELECTRODE TIP.
IF THE SPARK DOES NOT APPEAR:

- CHECK THE WIRE CONNECTION TO THE IGNITER.
- CHECK THE ELECTRODE INSTALLATION IN DETAIL E.

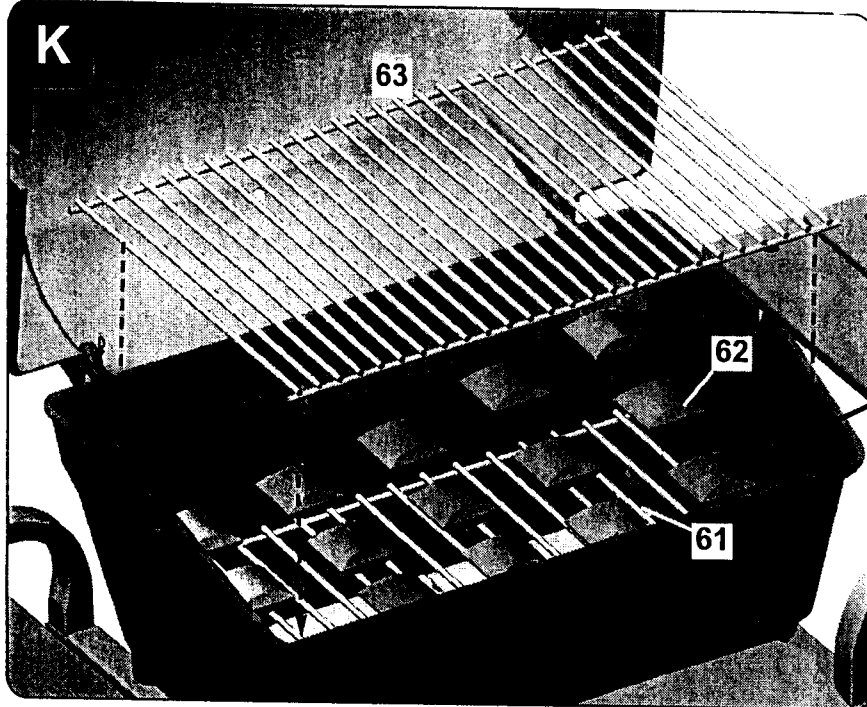


THE ELECTRODE TIP IS LOCATED ON
 THE BURNER ASSEMBLED IN THE
 BOTTOM CASTING.

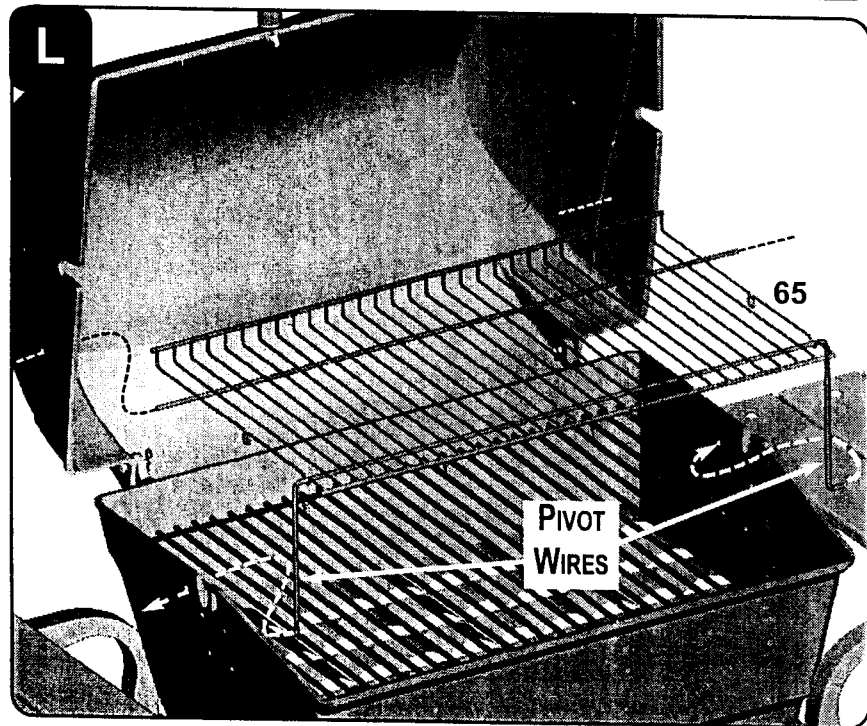




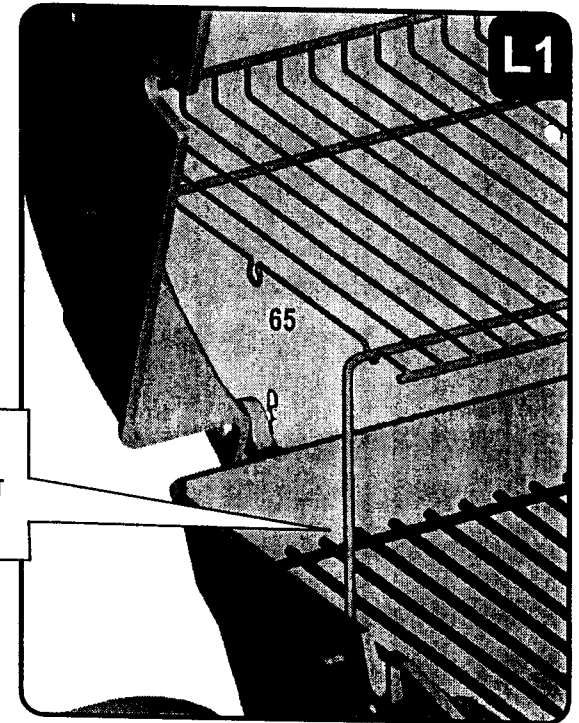
(Pg. 9)

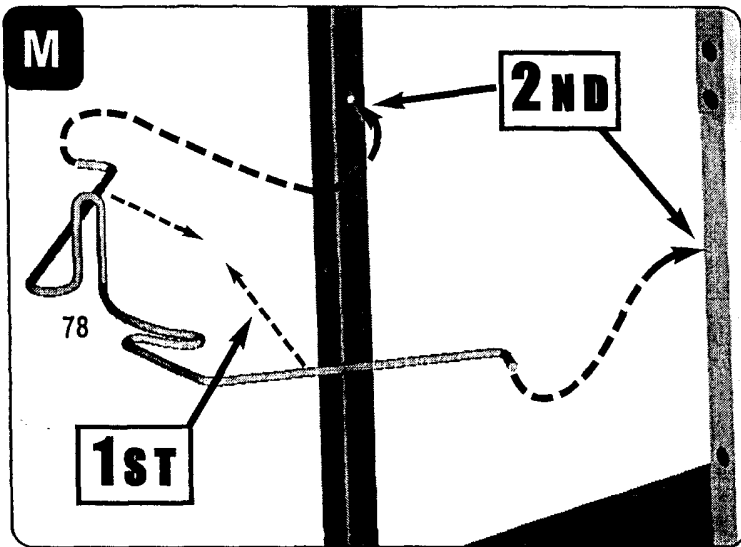


IMPORTANT: EVENLY SPACE THE CERAMIC BRIQUÈTTES (62) ON TOP OF THE ROCK GRATE. DO NOT USE OR SUBSTITUTE CHARCOAL IN A GAS GRILL.

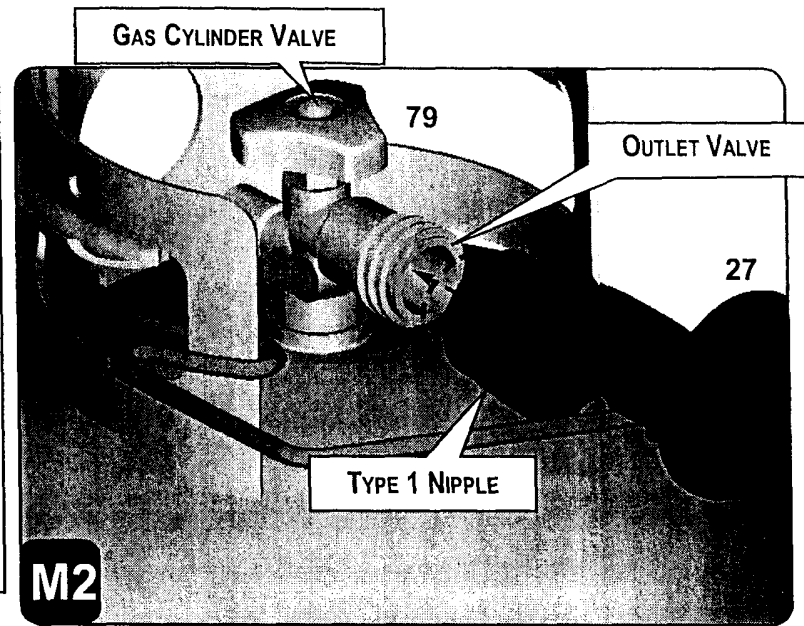


TO CENTER THE RACK, SLIGHTLY BEND THE PIVOT WIRES TO ADJUST FOR A TIGHT FIT.

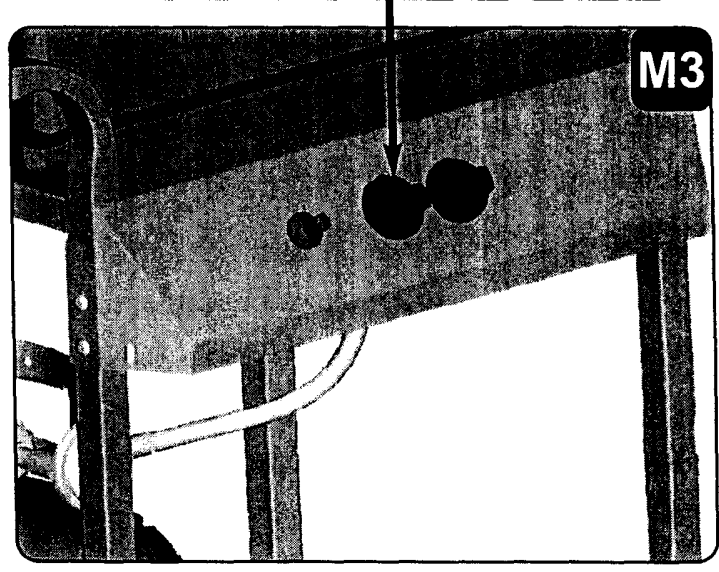
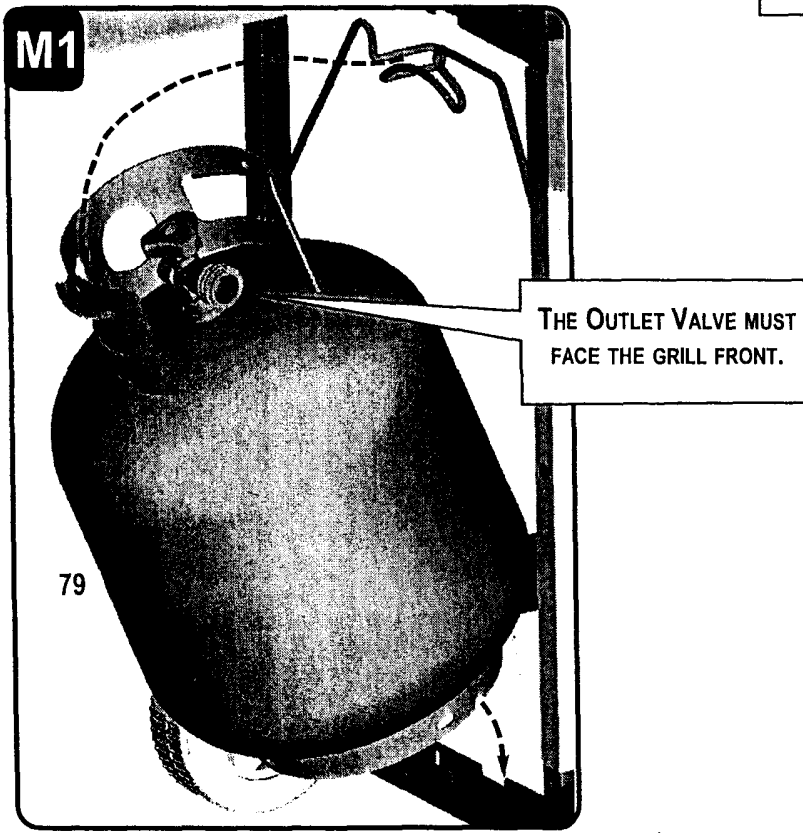




WARNING:
 DURING ASSEMBLY OF GRILL AND WHEN ATTACHING OR REPLACING THE L.P. GAS CYLINDER, INSURE THAT THE GAS SUPPLY HOSE IS FREE OF KINKS AND/OR DAMAGE AND IS AT LEAST 3" AWAY FROM HOT SURFACES SUCH AS THE GRILL CASTING.



IMPORTANT! TO ENSURE PROPER GAS FLOW, BURNER CONTROL VALVES MUST BE "OFF" BEFORE OPENING THE GAS CYLINDER VALVE.



LIMITED WARRANTY

Sunbeam Outdoor Cooking ("Sunbeam") warrants that this product will be free from defects in material and workmanship. This warranty applies to the following parts for the following time periods: the aluminum castings are warranted for a LIMITED LIFETIME against burn through; the burner is warranted for three (3) years; and all other parts are warranted for one (1) year, except the propane cylinder and paint finish. We DO NOT WARRANT in any way the propane cylinder (see label on cylinder for cylinder manufacturer's warranty) or the paint finish of the product. Sunbeam at its option, will repair or replace this product or any component of the product found to be defective during the warranty period. Replacement will be made with a new or remanufactured product or component. If the product is no longer available, replacement may be made with a similar product of equal or greater value. This is your exclusive warranty.

This warranty is valid for the original retail purchaser from the date of initial retail purchase and is not transferable. Keep the original sales receipt. Proof of purchase is required to obtain warranty performance. Sunbeam dealers, service centers, or retail stores selling Sunbeam products do not have the right to alter, modify or any way change the terms and conditions of this warranty.

This warranty does not cover normal wear of parts or damage resulting from any of the following: negligent use or misuse of the product, use on improper voltage or current, use contrary to the operating instructions, disassembly, repair or alteration by anyone other than Sunbeam or an authorized service center. Further, the warranty does not cover Acts of God, such as fire, flood, hurricanes and tornadoes.

Sunbeam shall not be liable for any incidental or consequential damages caused by the breach of any express or implied warranty. Except to the extent prohibited by applicable law, any implied warranty of merchantability or fitness for a particular purpose is limited in duration to the duration of the above warranty. Some states, provinces or jurisdictions do not allow the exclusion or limitation of incidental or consequential damages or limitations on how long an implied warranty lasts, so the above limitations or exclusion may not apply to you. This warranty gives you specific legal rights, and you may also have other rights that vary from state to state or province to province.

DO NOT RETURN THIS PRODUCT TO THE PLACE OF PURCHASE.

Take the product to an authorized Sunbeam service center. You can find the nearest authorized Sunbeam service center by calling 1-800-641-2100.

NOT VALID IN MEXICO.

FOR WARRANTY, SERVICE AND PARTS

Locate your model number and serial number on the label found on the back of your grill base.

BEFORE USING YOUR GRILL

READ OWNER'S USE AND CARE MANUAL:

- For proper filling and purging of the cylinder
- For leak testing all gas supply connections
- For correct grill lighting instructions
- For use and storage of the grill and cylinder

⚠ WARNING! The edges of sheet metal parts can cause injury if not handled with care.

USE EXTREME CAUTION!

⚠ WARNING! WHEN LEAK TESTING:

DO NOT smoke.

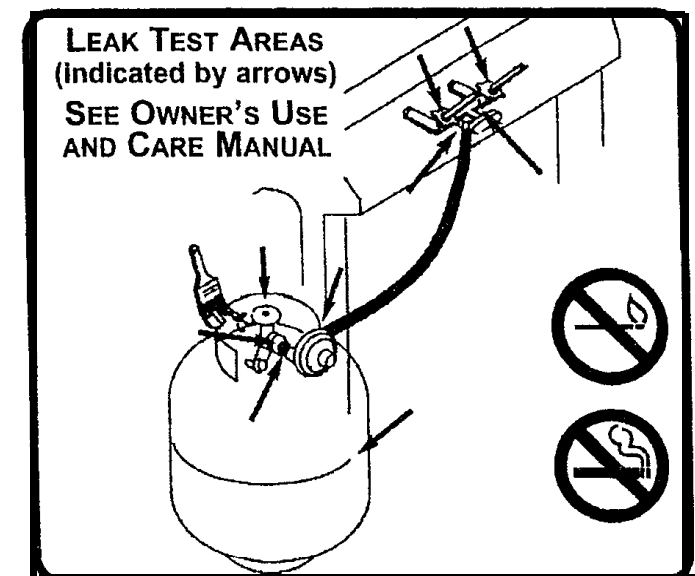
DO NOT use fire to test for leaks,

⚠ DANGER:

NEVER store a spare LP gas supply cylinder under the grill body nor inside grill enclosure to avoid the possibility of an explosion. Refer to the Use and Care manual.

⚠ IMPORTANT:

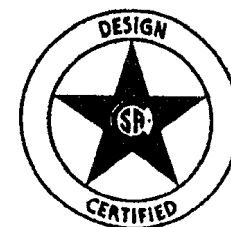
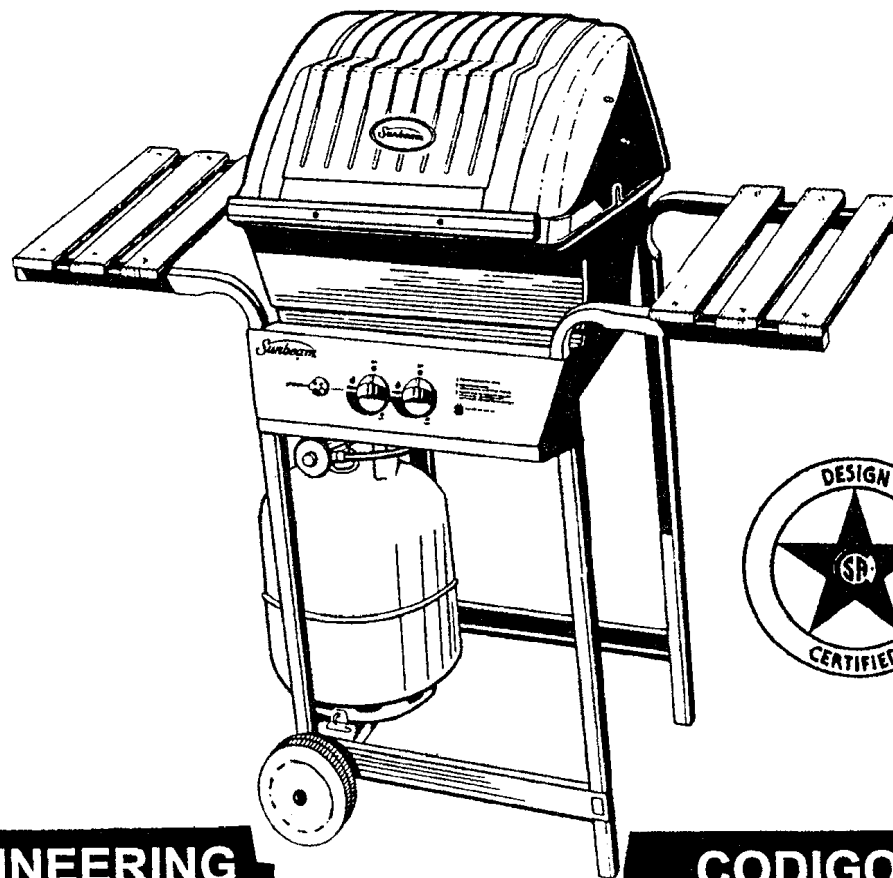
Be sure to tighten up all hardware (screws, nuts, bolts, etc.) at least once a year or each grilling season.



Sunbeam®

MODEL - MODELO

FG5303W



ASSEMBLER/INSTALLER:
LEAVE THESE INSTRUCTIONS WITH THE CONSUMER.

CONSUMER/USER:
READ ALL THESE INSTRUCTIONS AND KEEP THEM IN A
SAFE PLACE FOR FUTURE REFERENCE.

IMPORTANT!!
TO AVOID UNNECESSARY PROBLEMS!
BEFORE YOU BEGIN:

Review this parts list with the parts in your carton.
If you have missing or damaged parts,
call this number IMMEDIATELY,
1-800-641-2100, for the SERVICE CENTER nearest you.

MONTADOR / INSTALADOR:
DEJE ESTAS INSTRUCCIONES CON EL CONSUMIDOR.
CONSUMIDOR / USUARIO:
LEA TODAS ESTAS INSTRUCCIONES Y MANTÉNGALAS EN UN
LUGAR SEGURO COMO REFERENCIA.

¡ IMPORTANTE !
PARA EVITAR PROBLEMAS
INNECESARIOS
ANTES DE EMPEZAR:

Compare esta lista de piezas con las piezas que se encuentran
dentro de la caja de cartón.

En caso de que falten piezas o algunas estén en mal estado,
llamar a este número INMEDIATAMENTE:
1-800-641-2100, para averiguar cuál es el
CENTRO DE SERVICIO más cercano a usted.

**ENGINEERING
CODE
SBA11235**

Sunbeam
OUTDOOR COOKING
4101 Howard Bush Dr.
Neosho, Mo. 64850
INTERNET SITE:
www.bbqhq.com

**SMART
CART**

**CODIGO DE
INGENIERIA
SBA11235**

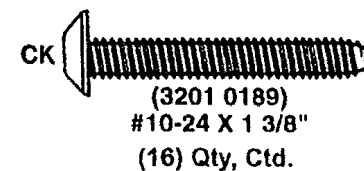
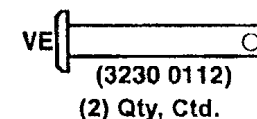
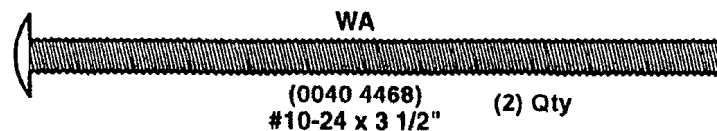
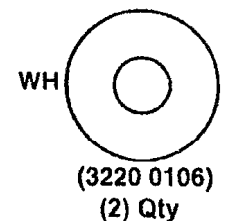
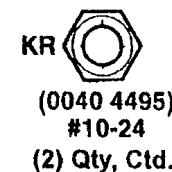
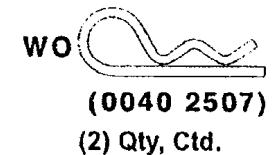
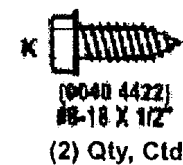
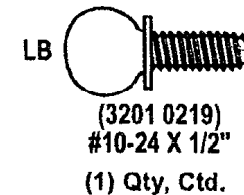
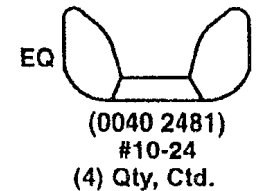
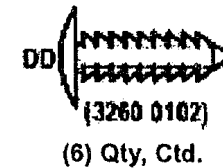
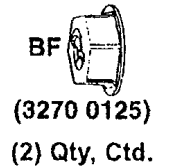
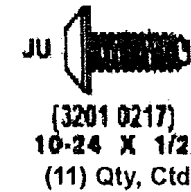
Sunbeam
OUTDOOR COOKING
4101 Howard Bush Dr.
Neosho, Mo. 64850
PÁGINA EN INTERNET:
www.bbqhq.com

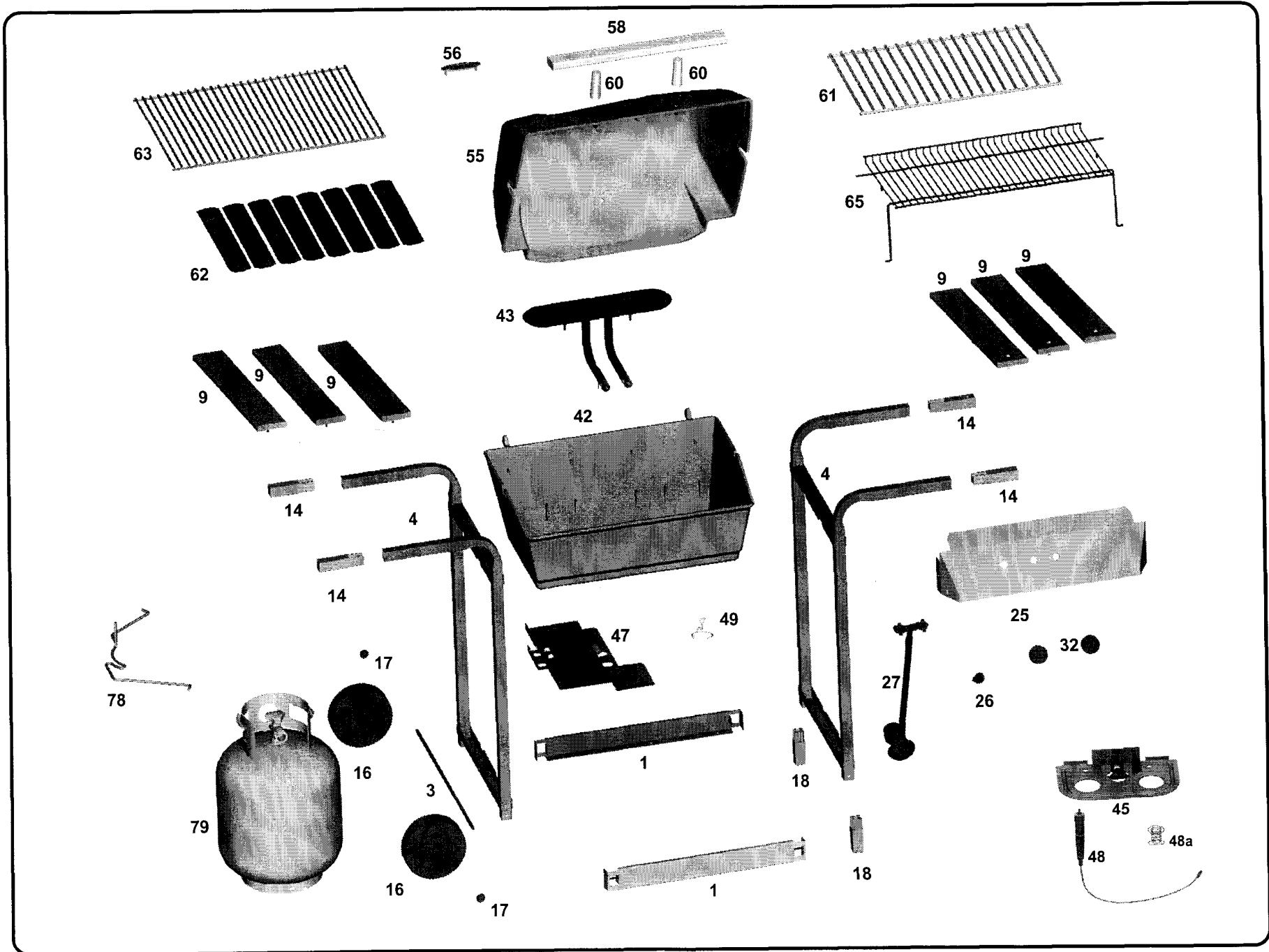
LISTA DE PIEZAS-

-PARTS LIST

**HARDWARE SHOWN ACTUAL SIZE
LAS PIEZAS SE MUESTRAN EN TAMAÑO REAL**

Key Réf. Clave	Qty. Qté. Ctd.	Part# N° pièce Parte #	DESCRIPTION	DESCRIPCION
1	2	0121 0435 01	STRAPS	BRIDAS DE SUJECIÓN
3	1	0123 0148	AXLE	EJE
4	2	0434 0128 01	LEG 1"	PATA 1"
9	6	1116 0115 09	SIDE TABLES	MESAS LATERALES
14	4	3023 0192	SIDE TABLE EXTENSIONS	EXTENSIONES DE MESA LATERAL
16	2	3022 0117	WHEEL	RUEDA
17	2	0040 0251	HUB CAPS	TAPACUBOS
18	2	3023 0231	LEG EXTENSION 1"	EXTENSIÓN DE PATA 1"
25	1	0457 1030	CONTROL PANEL	PANEL DE CONTROL
26	1	0040 4437	IGNITER	IGNITOR
27	1	3517 0103	VALVE ASSEMBLY	SISTEMA DE VÁLVULA
32	2	0040 4147	CONTROL KNOB	BOTÓN DE CONTROL
42	1	3412 0192 01	BOTTOM GRILL CASTING	BASE DEL ASADOR
43	1	3533 0114	BURNER	QUEMADOR
45	1	3311 0122	COLLECTOR PLATE	PLACA RECOLECTORA
47	1	1123 0169	LARGE HEAT SHIELD	PROTECTOR GRANDE DE CALOR
48	1	3620 0134	ELECTRODE	ELECTRODO
48a	1	3290 0100	ELECTRODE SPRING	RESORTE DEL ELECTRODO
49	1	3834 0137	GREASE CAN WIRE	ALAMBRE DE LATA PARA GRASA
55	1	3411 0324 01	GRILL LID	TAPA DEL ASADOR
56	1	3421 0114	NAMEPLATE	PLACA ROTULADA
58	1	1116 0169 09	FRONT HANDLE	ASA FRONTAL
60	2	3023 0183	STANDOFFS	SEPARADORES
61	1	0085 3001	ROCK GRATE	PARRILLA PARA PIEDRAS
62	1	3562 0121	CERAMIC BRIQUETTES	BRIQUETAS DE CERÁMICA
63	1	0416 0108	COOKING GRID	PARRILLA DE COCCIÓN
65	1	3811 0174	WARMING RACK	REJILLA DE CALENTAMIENTO
78	1	3832 0117	CYLINDER WIRE	ALAMBRE DEL TANQUE
79	1	3551 0102	CYLINDER	TANQUE





Free Manuals Download Website

<http://myh66.com>

<http://usermanuals.us>

<http://www.somanuals.com>

<http://www.4manuals.cc>

<http://www.manual-lib.com>

<http://www.404manual.com>

<http://www.luxmanual.com>

<http://aubethermostatmanual.com>

Golf course search by state

<http://golfingnear.com>

Email search by domain

<http://emailbydomain.com>

Auto manuals search

<http://auto.somanuals.com>

TV manuals search

<http://tv.somanuals.com>