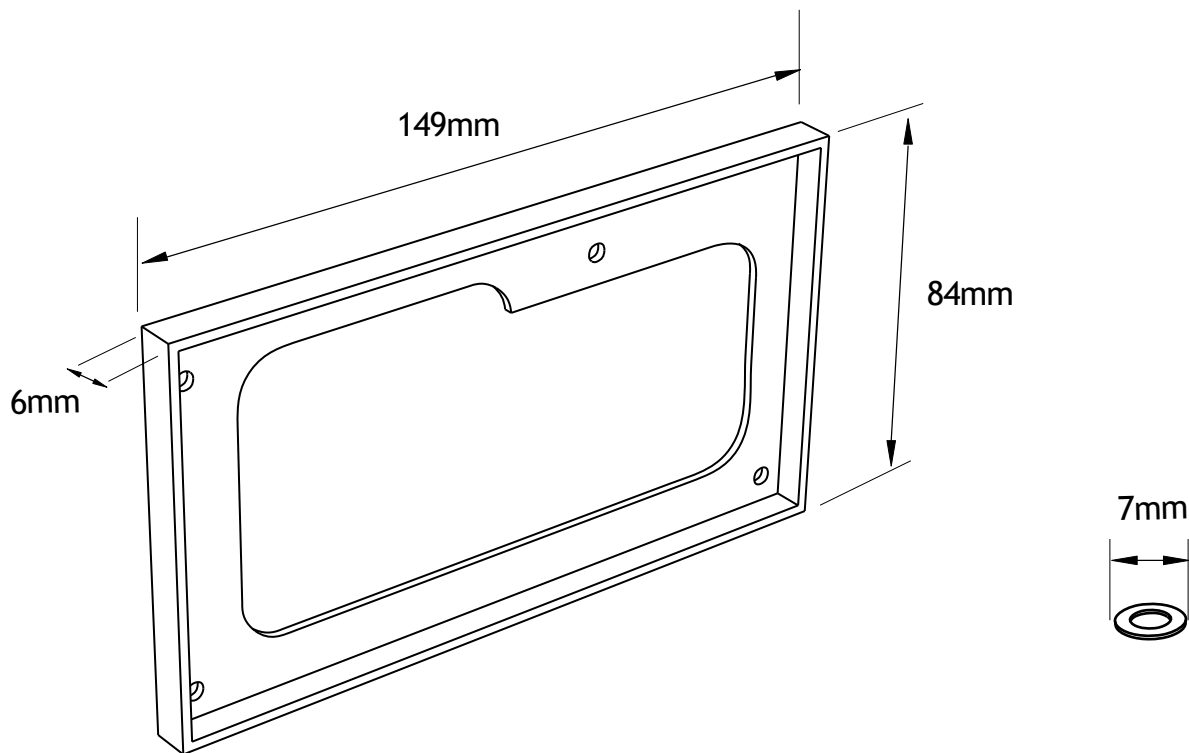


# Power Supply Accessory

## Vibration Dampener Kit

Model: VDK-PSU



### Specifications:

Model: **VDK-PSU**  
Material: **Silica Gel**  
Dimension: **149 x 84 mm**

### Package Includes:

Screw X12  
Screw Washer X12  
Fan Dampener X2

43951 Boscell Road  
Fremont, CA 94538  
Tel: 510-668-0368  
Fax: 510-668-0367

**[www.vantecusa.com](http://www.vantecusa.com)**

Copyright © 2004 Vantec Thermal Technologies. All Rights Reserved.

All registered trademarks belong to their respective companies.

## Free Manuals Download Website

<http://myh66.com>

<http://usermanuals.us>

<http://www.somanuals.com>

<http://www.4manuals.cc>

<http://www.manual-lib.com>

<http://www.404manual.com>

<http://www.luxmanual.com>

<http://aubethermostatmanual.com>

Golf course search by state

<http://golfingnear.com>

Email search by domain

<http://emailbydomain.com>

Auto manuals search

<http://auto.somanuals.com>

TV manuals search

<http://tv.somanuals.com>