

MAJESTIC VERMONT *Castings*



Natural Vent Insert

Models: RHE25

RHE32

RHE42

Installation Instructions & Homeowner's Manual

WARNING! IF THE INFORMATION IN THIS MANUAL IS NOT FOLLOWED EXACTLY, A FIRE OR EXPLOSION MAY RESULT CAUSING PROPERTY DAMAGE, PERSONAL INJURY OR LOSS OF LIFE.

FOR YOUR SAFETY

WHAT TO DO IF YOU SMELL GAS:

- Do not try to light any appliance.
- Do not touch any electric switch
- Do not use any phone in your building.
- Immediately call your gas supplier from your neighbours phone. Follow the gas suppliers instructions.
- If you cannot reach your gas supplier call the fire department.

FOR YOUR SAFETY

DO NOT STORE
OR USE GASOLINE OR OTHER
FLAMMABLE VAPOURS AND LIQUIDS
IN THE VICINITY OF THIS OR ANY
OTHER APPLIANCE.

- Installation and service must be performed by a qualified installer, service agency or your gas supplier.



Vermont Castings, Majestic Products

410 Admiral Blvd. • Mississauga, Ontario, Canada L5T 2N6 • 905-670-7777
www.majesticproducts.com • www.vermontcastings.com



INSTALLER: DO NOT DISCARD THIS MANUAL - Leave For Homeowner

10000836 8/03 Rev.3

Table of Contents

Please read the Installation & Operating Instructions before using this appliance.

Thank you and congratulations on your purchase of a Majestic fireplace insert.

IMPORTANT - Read all instructions and warnings carefully before starting installation. Failure to follow these instructions may result in a possible fire hazard and will void the manufacturers' warranty.

Installation Instructions

General Information	3
Important Curing/Burn Information	3
Locating Your Fireplace	3
Insert Applications	3
Fireplace Dimensions	4
Mantels	5
Framing and Finishing	5
Combustion Air	5
Zero Clearance Applications	6
Gas Specifications	6
Gas Line Installation	6
Remote Switch for RN / RP Valves	7
Venting Instructions	8
Venting and Installation	8
Common Flue Installations	9
Liner Installation	9
Draft Relief Opening	9
Test Chimney Draw	9
Vent Safety System	9
Fan Kit	10
Fan Removal Instructions	10

Operating Instructions

General Glass Information	11
Louvre Removal	11
Glass Cleaning	11
Glass Frame Removal	11
Installation of Logs & Burner Lava Rock	11
Large Lava Rock Placement	12
Flame Adjustment (RN /RP Models)	12
Temperature Adjustment (TN / TP Models)	12
Flame Characteristics	12
First Firing	13
Lighting & Operating Instructions	14
Troubleshooting Gas Control (SIT 820 Gas Valve)	15
Troubleshooting Gas Control (SIT 630 Gas Valve)	16
Troubleshooting Gas Control (Honeywell Valve)	17

Maintenance

Cleaning the Standing Pilot Control System	18
Brass Cleaning	18

Replacement Parts

Optional Accessories

Ceramic Refractory	22
Zero Clearance Kit	22
Remote Controls	22
A Trim Options for RHE25	22
B Trim Options for RHE32	26
C Trim Options for RHE42	34

Warranty	38
----------------	----

Installation Instructions

This gas appliance should be installed by a qualified installer in accordance with local building codes and with current CSA-B149.1 Installation codes for Gas Burning Appliances and Equipment.

For U.S.A Installations follow local codes and/or the current National Fuel Gas Code. ANSI Z223.1.

FOR SAFE INSTALLATION AND OPERATION OF YOUR MAJESTIC GAS FIREPLACE INSERT PLEASE NOTE THE FOLLOWING:

1. This appliance gives off high temperatures and should be located out of high traffic areas and away from furniture and draperies.
2. Children and adults should be alerted to the hazards of the high surface temperatures of this appliance and should stay away to avoid burns or ignition of clothing.
3. Children should be carefully supervised when they are in the same room as your appliance.
4. Under no circumstances should this appliance be modified. Parts removed for servicing should be replaced prior to operating this appliance again.
5. Installation and any repairs to this appliance should be carried out by a qualified service person. A professional service person should be contacted to inspect this appliance annually. Make it a practice to have all of your gas appliances checked annually. More frequent cleaning may be required due to excess lint and dust from carpeting, bedding material, etc.
6. Control compartments, burners and air passages in this appliance should be kept clean and free of dust and lint. Make sure that the gas valve and pilot light are turned off before you attempt to clean this unit.
7. The venting system (chimney) of this appliance should be checked at least once a year and if needed your venting system should be cleaned.
8. Keep the area around your appliance clear of combustible materials, gasoline and other flammable vapor and liquids. This appliance should not be used as a drying rack for clothing, nor should Christmas stockings or decorations be hung in the area of it.
9. Under no circumstances should any solid fuels (wood, coal, paper or cardboard etc.) be used in this appliance.
10. The flow of combustion and ventilation air must not be obstructed in any way.
11. These appliances are certified for installation in a solid fuel burning fireplace unless using the model HEZC Zero Clearance kit. When the Zero Clearance kit is used, and the appliance is installed directly on carpeting, vinyl tile or any combustible material other than wood, the appliance must be installed on a metal or wood panel extending the full width and depth of the appliance.
12. This appliance requires adequate ventilation and combustion air to operate properly.

Proposition 65 Warning: Fuels used in gas, woodburning or oil fired appliances, and the products of combustion of such fuels, contain chemicals known to the State of California to cause cancer, birth defects and other reproductive harm.
California Health & Safety Code Sec. 25249.6

IMPORTANT:

PLEASE REVIEW THE FOLLOWING CAREFULLY
Remove any plastic from trim parts before turning the fireplace ON.

It is normal for fireplaces fabricated of steel to give off some expansion and/or contraction noises during the start up or cool down cycle. Similar noises are found with your furnace heat exchanger or car engine.

It is not unusual for your Majestic gas fireplace to give off some odor the first time it is burned. This is due to the curing of the paint and any undetected oil from the manufacturing process.

Please ensure that your room is well ventilated - open all windows.

It is recommended that you burn your Majestic fireplace for a least six (6) hours the first time you use it. If optional fan kit has been installed, place fan in the "OFF" position during this time.

Locating Your Gas Fireplace Insert with Zero Clearance Kit

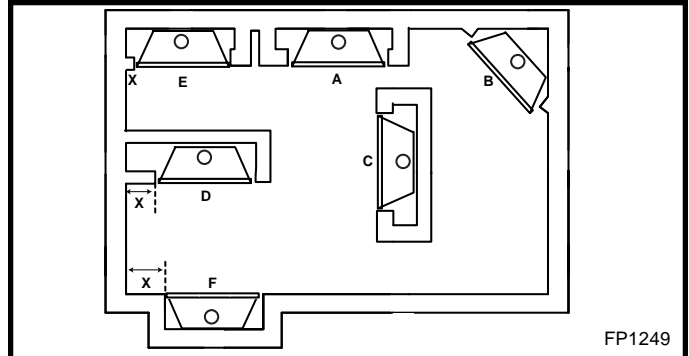


Fig 1. Locating unit with zero clearance kit.

- | | |
|-------------------------|-----------------------|
| A) Flat on wall | B) Cross corner |
| C) Island | D) *Room divider |
| E) *Flat on wall corner | F) Chase installation |

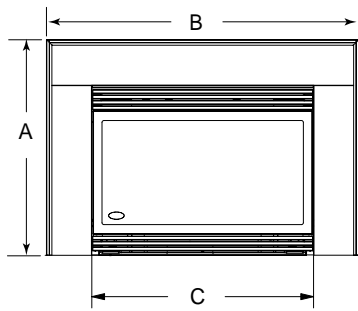
NOTE: (Fig. 1)

* When you install your Majestic fireplace in (D) Room divider or (E) Flat on wall corner positions, a minimum of 6" (X) (153mm) clearance must be maintained from the perpendicular wall and the outer edge of the trim.

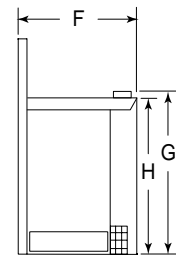
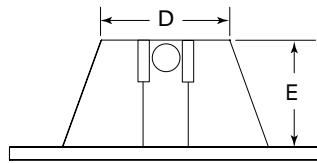
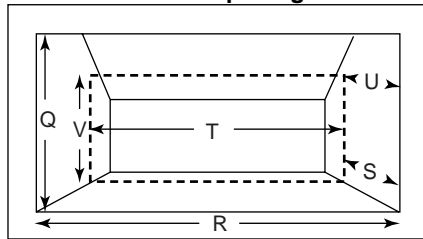
Insert Applications

Before installing the gas fireplace insert, consideration must be given to the functioning needs of the fireplace. The size of the fireplace cavity, the design of the chimney for effective venting should be determined. The availability of the gas supply as well as electricity for the insert fan must be confirmed.

Fireplace Dimensions

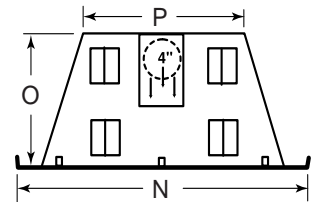
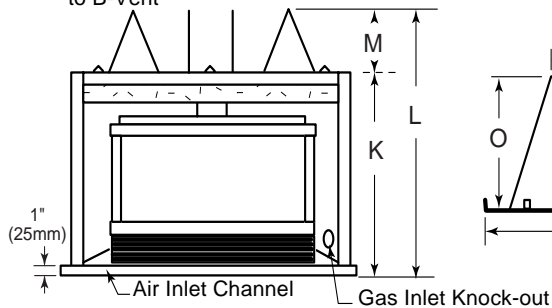


Minimum Fireplace Insert Opening



Maintain 1" (25mm) Clearance to B-Vent

Zero Clearance Kit



Q - Fireplace Opening Height
R - Fireplace Opening Width
S - Depth of Insert

T - Firebox Width at Insert Depth(s)
U - Firebox Depth at Insert Back Height (V)
V - Insert Back Height

1 = SS or SSD Trim
2 = SL or SLD Trim
3 = SXL Trim
4 = BSL Trim
5 = BXL Trim

T R I M		RHE25	RHE32	RHE42
	A-1	26 ³ / ₈ " (680mm)	26 ³ / ₈ " (676mm)	30 ³ / ₄ " (781mm)
B-1	38 ¹ / ₂ " (978mm)	38 ³ / ₈ " (975mm)	43 ¹ / ₈ " (1095mm)	
A-2	29 ¹ / ₄ " (743mm)	29" (737mm)	33 ³ / ₈ " (848mm)	
B-2	43 ¹ / ₂ " (1105mm)	41 ¹⁵ / ₁₆ " (1065mm)	48 ¹ / ₄ " (1225mm)	
A-3	-	33" (838mm)	-	
B-3	-	44" (1118mm)	-	
A-4	-	28" (712mm)	-	
B-4	-	40 ⁷ / ₈ " (1041mm)	-	
A-5	-	30 ¹ / ₂ " (775mm)	-	
B-5	-	46" (1171mm)	-	
F I R E P L A C E	C	25 ¹ / ₄ " (641mm)	28 ³ / ₄ " (730mm)	31" (787mm)
	D	17" (432mm)	17 ¹ / ₄ " (438mm)	20 ¹ / ₈ " (511mm)
	E	13 ³ / ₄ " (349mm)	15 ⁵ / ₈ " (397mm)	17 ³ / ₄ " (451mm)
	F	15" (381mm)	17 ¹ / ₈ " (435mm)	21" (533mm)
	G	19 ¹ / ₄ " (489mm)	20 ¹ / ₂ " (521mm)	23 ¹ / ₄ " (590mm)
	H	17 ¹ / ₂ " (445mm)	20" (508mm)	22 ³ / ₄ " (578mm)
	K	35" (889mm)	35" (889mm)	39 ¹ / ₄ " (1000mm)
	L	26 ⁵ / ₈ " (676mm)	26 ⁵ / ₈ " (676mm)	31 ¹ / ₈ " (790mm)
	M	8 ¹ / ₂ " (216mm)	8 ¹ / ₂ " (216mm)	8 ¹ / ₂ " (216mm)
	N	37 ¹ / ₂ " (952mm)	37 ¹ / ₂ " (952mm)	37 ¹ / ₂ " (954mm)
	O	19 ¹ / ₈ " (486mm)	19 ¹ / ₈ " (486mm)	21 ³ / ₄ " (553mm)
	P	27 ¹ / ₄ " (692mm)	27 ¹ / ₄ " (692mm)	25 ³ / ₄ " (654mm)
M O P E N I N G	Q	17 ³ / ₄ " (451mm)	21" (533mm)	23 ¹ / ₄ " (591mm)
	R	25" (635mm)	28" (711mm)	29" (737mm)
	S	13 ³ / ₄ " (349mm)	16" (407mm)	18" (457mm)
	T	17 ¹ / ₂ " (445mm)	17 ³ / ₄ " (451mm)	20 ⁵ / ₈ " (524mm)
	U	14" (356mm)	16 ¹ / ₂ " (419mm)	21" (533mm)
	V	17 ³ / ₄ " (451mm)	20 ¹ / ₄ " (514mm)	23" (584mm)

Mantels

When the insert is being installed into a woodburning fireplace the minimum the mantel can be above the fireplace is governed by local building codes applicable to woodburning fireplaces. Consult local authorities having jurisdiction for these clearances.

For applications requiring the use of a Zero Clearance Kit, the minimum a mantel can protrude above the fireplace is 24" (610mm) from the top of the upper louvres. The maximum mantel depth is 8" (200mm). (Fig. 2)



The underside of the mantel will get quite warm. Use only finishes which are heat resistant and do not discolour.

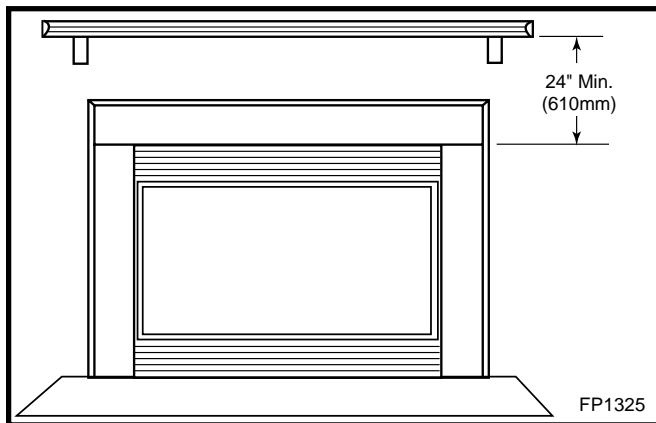


Fig. 2 Minimum mantel height above fireplace.

Framing & Finishing

For Zero Clearance Kit applications it is important to determine the finished facing material before beginning to frame. This will allow for the thickness of the finishing material between the frame and the fireplace trim.

Similarly, consideration must be given to the 1" (25mm) depth of the air inlet channel sitting on the fireplace base. Finishing material for the hearth should be flush with the top of the air inlet channel.

If the fireplace is installed at floor level a non-combustible hearth must extend a minimum 12" (305mm) in front of the fireplace.

If the fireplace is recessed into the wall and at least 12" (305mm) above floor level, no hearth is required.

A (3" for RHE25, 4" for RHE32 and RHE42) diameter Class "B" vent must be used when installing the fireplace insert along with the Zero Clearance Kit. The vent system must be a minimum height of 12' (3.7m).



The use of wallpaper adjacent to this fireplace is not recommended, as the high heat given off by this fireplace may adversely effect the binders in the adhesive used to apply the wallpaper.

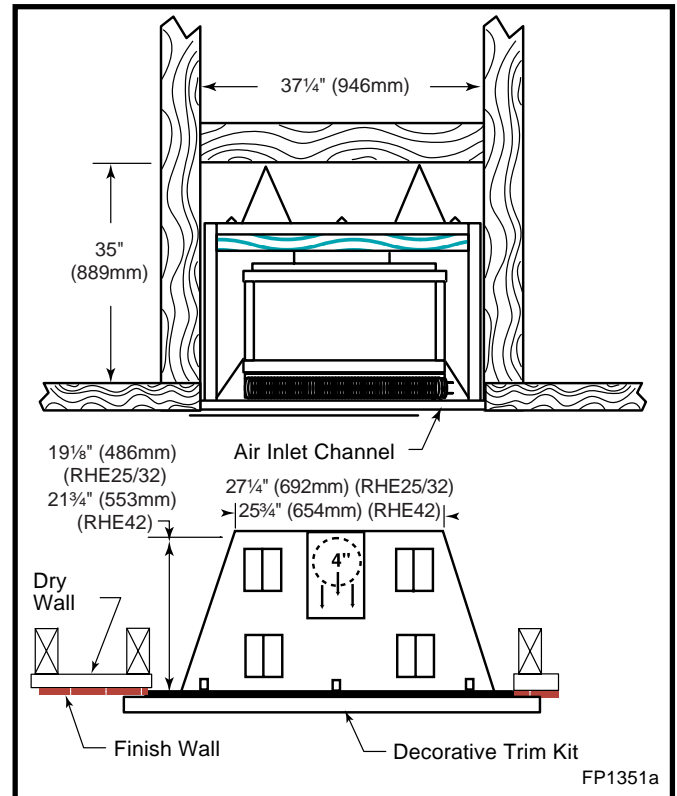


Fig. 3 RHE insert framing dimensions.

Combustion Air

It is very important that an adequate air supply is available when the unit is being operated. Since most homes of today are tightly sealed and insulated, additional make-up air is usually necessary.

This fireplace has been designed to operate by drawing air in from the front and outer perimeters of the fireplace. The air provides combustion air ensuring a clean burning flame, dilution air for proper venting, as well as, the air which the fan circulates over the firebox/heat exchanger system.

Insulating around the fireplace will result in overheating and possible malfunctioning of the circulating fan.

Zero Clearance Applications



An alternate air supply is recommended with this component.

For installations other than in existing woodburning fireplaces such as new construction or renovation projects, a Zero Clearance Kit must be used. The kit enables these inserts to be installed in combustible environments. It is recommended that an Air Kit (AKZC) be installed whenever using a Zero Clearance Kit. Consideration must be given to the dimensions of the Zero Clearance Kit and the requirements of the Air Kit when planning the installation.

Gas Specifications

Model	Fuel	Gas Control	Max. Input Btu/h	Min. Input Btu/h
RHE25RN	Natural Gas	Millivolt HI/LO	22,000	15,400
RHE25RP	Propane Gas	Millivolt HI/LO	22,000	16,500
RHE25MN	Natural Gas	Manual HI/LO	22,000	15,400
RHE25MP	Propane Gas	Manual HI/LO	22,000	16,500
RHE3RN	Natural Gas	Millivolt HI/LO	30,000	21,000
RHE32RP	Propane Gas	Millivolt HI/LO	30,000	22,500
RHE32TN	Natural Gas	Thermostat HI/LO	30,000	21,000
RHE32TP	Propane Gas	Thermostat HI/LO	30,000	22,500
RHE42RN	Natural Gas	Millivolt HI/LO	40,000	28,000
RHE42RP	Propane Gas	Millivolt HI/LO	37,000	27,750
RHE42TN	Natural Gas	Thermostat HI/LO	40,000	28,000
RHE42TP	Propane Gas	Thermostat HI/LO	37,000	27,750

Gas Inlet & Manifold Pressures

	Natural	LP
Minimum Inlet Pressure	5.5" w.c.	11.0" w.c.
Maximum Inlet Pressure	14.0" w.c.	14.0" w.c.
Manifold Pressure	3.5" w.c.	10.0" w.c.



Do not use this appliance if any part of it has been under water. Immediately call a qualified service technician to inspect the unit and replace any part of the control which has been under water.

These gas inserts are approved for installation in solid fuel burning masonry or zero clearance fireplaces.

**RHE25 / RHE32 / RHE42
Certified To**

**ANSI Z 21.88-2002 / CSA 2.33-2002
Vented Gas Fireplace Heaters**

The installation of your Majestic Fireplace must conform with local codes, or in the absence of local codes, with National Fuel Gas Code, ANSI Z223.1 latest edition, or CSA-B149.1 Installation Code. (EXCEPTION: Do not derate this appliance for elevations up to 4,500 ft (1,370m). Maintain the manifold pressure at 3.5" w.c. for Natural Gas and 10.0" w.c. for LP gas.)

High Elevations

Input ratings are shown in BTU per hour and are certified without deration for elevations up to 4,500 feet (1,370m) above sea level.

For elevations above 4,500 feet (1,370m) in USA, installations must be in accordance with the current ANSI Z223.1 and/or local codes having jurisdiction.

In Canada, please consult provincial and/or local authorities having jurisdiction for installations at elevations above 4,500 feet (1,370m).

Preparation

Before beginning, remove the glass frame from the fireplace. Also check to make sure there is no hidden damage to the fireplace. Take a minute and plan out the gas, vent and electrical supply. Refer to Glass Frame Removal section.

Gas Line Installation



When purging the gas line, the front glass must be removed.

The gas pipeline can be brought into the fireplace base from the right side. It is most convenient to install it from the right side into the gas fittings provided.

When using copper or flex connector use only approved fittings. **Always provide a union** when using black iron pipe so that gas line can be easily disconnected for burner or fan servicing. Refer to gas specifications for pressure details and ratings.

The gas line connection can be made of either properly tinned 3/8" copper pipe, 3/8" rigid pipe or an approved flex connector.

The gas control inlet is 3/8" N.P.T. therefore the 1/2" rigid gas line must be reduced to 3/8" N.P.T. Typical installation layout for rigid pipe is shown following. (Fig. 4)

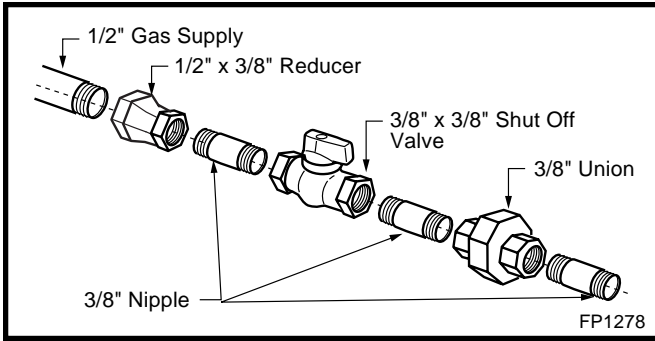


Fig. 4 Typical gas supply installation.

During any pressure testing of the gas line system, when the test pressures are to exceed 1/2 psi (3.5 kpa) the fireplace and its gas valve must not be connected to that system.

At test pressures equal to or less than 1/2 psi, the gas valve of the fireplace may be connected to the gas line, but must be in the closed position.

Some municipalities have additional local codes, it is always best to consult the local authority and the CSA-B149.1 installation code in Canada.

FOR U.S.A Installations consult the current National Fuel Gas Code, ANSI Z223.1



Always check for gas leaks with a mild soap and water solution. **Do not use an open flame for leak testing.**

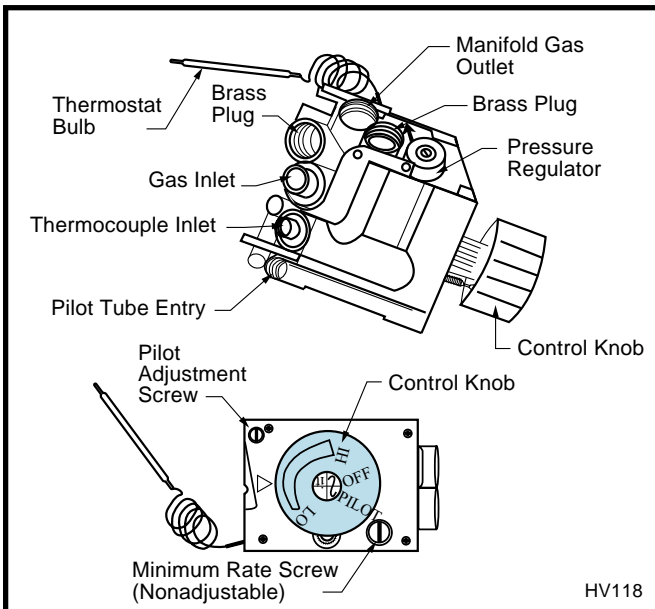


Fig. 5 On fireplaces equipped with the Eurosit 630 gas valves, there are brass plugs in two of the holes. These plugs are not to be removed. The gas inlet hole has a plastic cap in it. Remove the plastic cap and connect your gas supply line at this point.



The MN/MP valve control used on the RHE25 does not include the thermostat bulb as shown in Figure 5.

Installation of Remote Switch for RN/RP Gas Valves

1. Thread wire through gas inlet opening on the right side of fireplace. Do not cut wire or insulation on metal edges.
2. Slide switch assembly from the back, between subframe and trim, then fasten the screw. (Fig. 6)
3. For left side installation reverse switch position in bracket and repeat Step 2. (Fig. 7)
4. Connect wiring to gas valve (Fig. 8a & b) and switch.

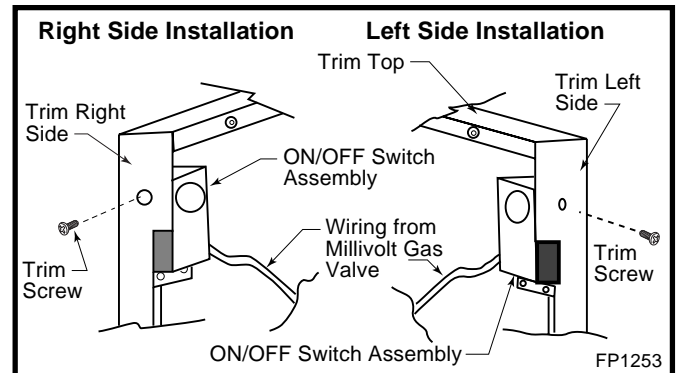


Fig. 6 Slide switch assembly between subframe and trim.

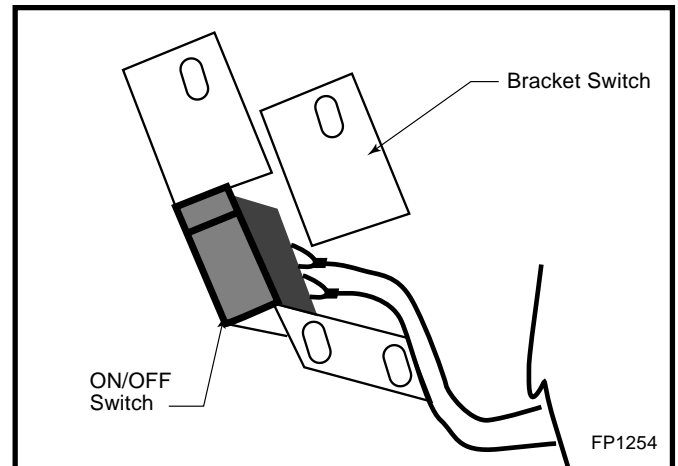


Fig. 7 For left side installation, reverse switch position in bracket.

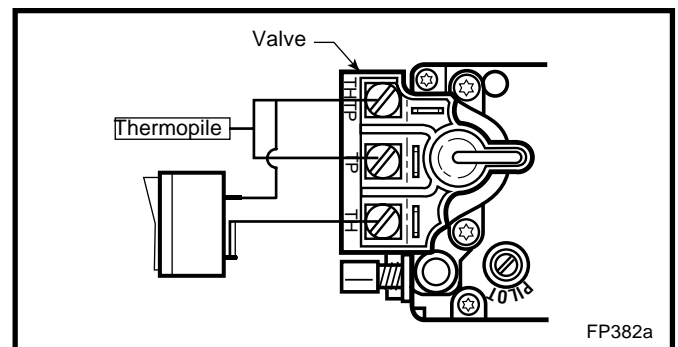


Fig. 8a ON/OFF switch or millivolt thermostat.

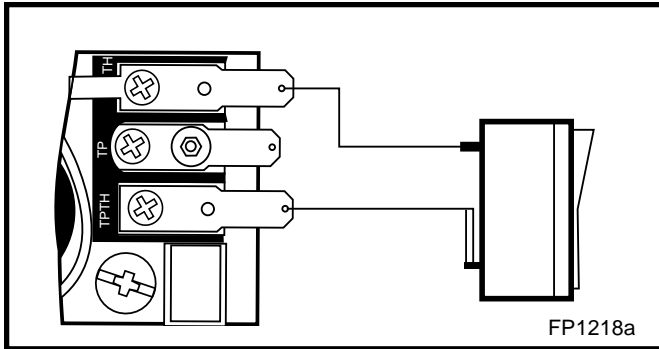


Fig. 8b ON/OFF switch wiring.



If a remote wall switch is required for this fireplace installation, do not wire wall switch to 120V power supply.

Venting Instructions

Canadian Installations:

The venting system must be installed in accordance with the current CSA-B149.1 installation code, and the authority having jurisdiction.

U.S.A. Installations:

The venting system must be installed in accordance with the current National Fuel Gas Code, ANSI Z223.1.

Minimum clearances to combustible materials is 1" (25mm) for B Vent (**use of single wall vent is not allowed**).

As with any natural draft appliances, the vent cap must always extend a minimum of 2' (610mm) above any structure within a 10' (3m) horizontal plane. (Fig. 9)

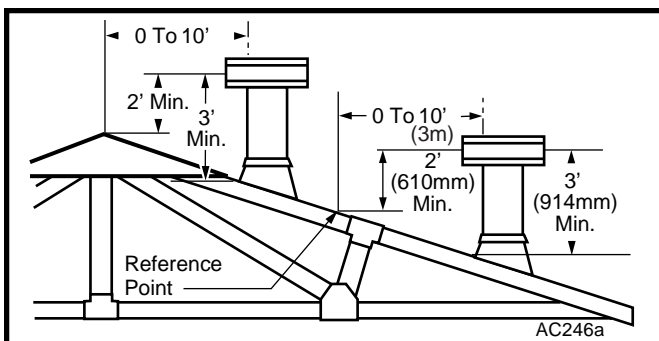


Fig. 9 Example of the 2', 3', 10' rule.



A minimum 12' (3.7m) vent height is required to effectively vent this fireplace.

Venting and Installation



Installer must attach red warning plate with screws supplied with the gas fireplace insert to the inside of the firebox of the fireplace into which the gas fireplace insert is installed.

WARNING

This fireplace has been converted for use with gas only and cannot be used for burning wood or solid fuels unless all original parts have been replaced and the fireplace has been re-approved by the authority having jurisdiction.



Cutting any sheet metal parts of the fireplace, in which the gas fireplace insert is to be installed, is prohibited.



If the factory-built fireplace has no gas access hole(s) provided, an access hole of 1½" (37.5mm) or less may be drilled through the lower sides or bottom of the firebox in a proper workmanship like manner. This access hole must be plugged with a noncombustible insulation after the gas supply line has been installed.



Ensure there are no obstructions to side air passages of decorative trim once installed on insert.

WARNING

Some factory built fireplaces have air passages on face of fireplace for zero clearance capabilities. All trim kits are designed so as to allow airflow to these passages. Under no circumstances should these passages be blocked.

1. The Majestic gas inserts are designed for recessed installations into solid fuel Masonry or Factory Built Noncombustible fireplaces that have been installed in accordance with the National, Provincial, State and local building codes.
2. Measure for minimum fireplace opening requirement on Page 4 of this installation manual. (**If firebrick [refractory] is removed from a factory built fireplace in order to gain minimum gas fireplace insert opening requirements, a minimum of 1/4" (6.4mm) air space is required between the gas insert fireplace's outer casing and the inner wall of the factory built fireplace.**)
3. To assure top performance, safety and efficiency, all inserts must be installed with an approved 4" diameter flue liner, with exception of RHE25, which should be installed with an approved 3" liner, as per CSA-B.149 or National Fuel Code ANSI Z223.

4. Flue damper must be fully blocked in the open position or removed for installation.
5. The chimney must be clean and in good working order and constructed of noncombustible materials.
6. Make sure that all chimney cleanouts fit properly so air cannot leak into the chimney.
7. Glass door, screen kits and log grate may be removed for installation of insert into factory built fireplace.
8. Install the insert without the trim frame and make all gas, venting and electrical connections.
9. Install decorative trim frame. Please refer to Frame Assembly and Mounting instructions on this manual.

Common Flue Installations

In some areas it is possible to vent more than one gas fireplace into the same flue. You must ensure the flue being shared has the proper capacity to handle both fireplaces. Check installation codes for venting capacity information.

As always it is best to check with the authority having jurisdiction prior to commencement of the installation.

Liner Installation

Insert liner from top of chimney through the damper opening and attach to 3" flue collar (for RHE25); 4" flue collar (for RHE32 & RHE42). For best results use three (3) sheet metal screws and a hose clamp.

For natural draft inserts packing fiberglass insulation around the liner in the damper area will isolate the fireplace cavity from the chimney and prevent drafts and noises during operation.

In case the fireplace opening is only minimum height (17½" for RHE25) (20" for RHE32) (22¾" for RHE42) and access from the front is not possible, remove the flue collar plate - unscrew and slide out from the back of the unit. Now attach the liner to the flue collar, lift up and simply slide flue collar plate back onto the unit top. It is important the plate is completely inserted and the front screw is fastened again in order to line up the flue outlet and the liner properly. (Fig. 10)



If fireplace lintel is wider than 8" (205mm), the height of the fireplace opening must be 25" (635mm) to allow for a 90° offset elbow to be installed.

Draft Relief Opening

This insert is equipped with a draft-relief opening which receives its dilution air supply through the opening behind the louvres. These openings must not be obstructed or altered in any way. (Fig. 11)

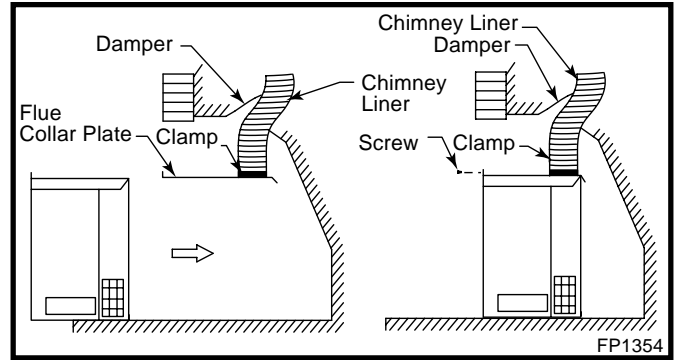


Fig. 10 Remove flue collar plate and attach to flue collar.

Test Chimney Draw

A "Chimney Draw" test must be made before the installation is complete.

1. Close all doors and windows in the home and start exhaust fans in the kitchen and bathroom.
2. Light unit and operate for 5 minutes.
3. Hold an ignited match or cigarette in front of the unit. Refer to Figure 11 for the location of the draft hood opening.
4. Check to make sure smoke from the match or cigarette is drawn into the fireplace. If it is not, turn the unit off and check for causes creating the lack of adequate draft.

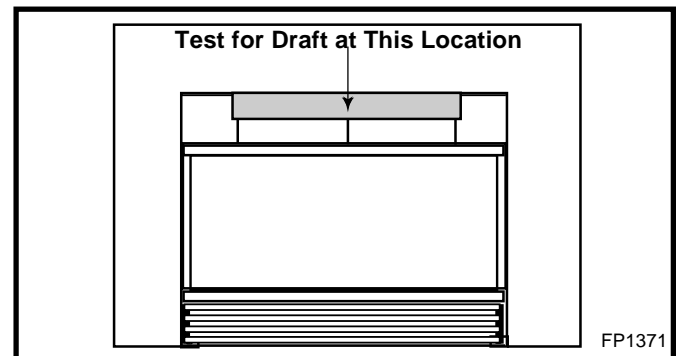


Fig. 11 Hold an ignited match in front of fireplace.

Vent Safety System

These inserts are equipped with a vent safety shut down switch. This switch is factory installed, wired and tested. Check and make sure the switch and wires are in the proper position. The safety switch is heat activated and wired in series with the pilot system. (Fig. 12)

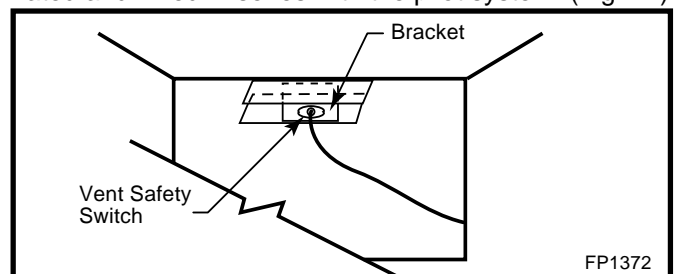


Fig. 12 Vent safety switch.



Operation of this fireplace when not connected to a properly installed and maintained venting system or tampering with the vent safety shutoff system can result in carbon monoxide (CO) poisoning and possibly death.

Fan Kit

115 Volt, 60 Hz. 56W

The fan kit includes the following: fan, temperature sensor, speed control and a 6 ft. cord. The following explains how to start and set the fan for automatic operation.

1. Plug in the electrical cord.
2. Start gas fire - see lighting procedures.
3. Turn on fan speed control.
4. Wait until the unit has warmed up sufficiently to activate the temperature sensor.
5. Once fan starts, adjust speed control to desired fan speed. The fan will now automatically come on every time the fireplace is in operation. Should the fan not be needed simply turn off the speed control.



The appliance, when installed must be electrically connected and grounded in accordance with local codes or, in the absence of local codes, with the current CSA C22.1 Canadian Electrical Code.



For U.S.A. installations, follow local codes and the national electrical code, ANSI/NFPA No. 70.



Should this fan require servicing, the power supply must be disconnected. For rewiring of any replacement components refer to Figures 13 & 14.

Fan Removal Instructions

1. Turn off gas and electricity.
2. Remove the front glass.
3. Remove the logs.
4. Remove burner assembly and rear log support plate.
5. Remove the fan mounting nuts (2). (Fig. 13)
6. Slip off the electrical connector at the motor.
7. Lift out the fan.
8. To reinstall, reverse procedure.

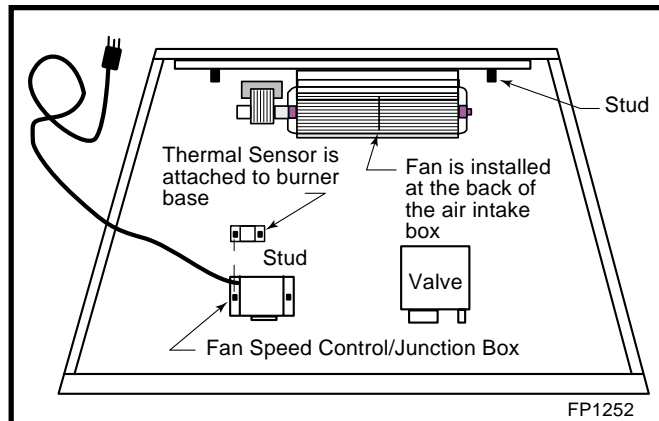


Fig. 13 Fan location.

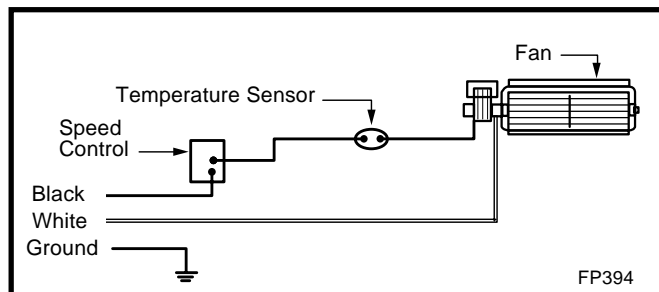


Fig. 14 Wiring diagram RN/RP.

Operating Instructions

General Glass Information

Only ceramic glass approved for use in Majestic fireplaces may be used for replacement on this fireplace.

1. The use of substitute glass will void all product warranties.
2. Care must be taken to avoid breakage of the glass.
3. Under no circumstances should this fireplace be operated without front glass properly installed, or with any cracked or broken glass. Replacement of any glass assembly as supplied by the manufacturer should be done by a licensed qualified service person.

Louvre Removal

To remove top flat louvre pull louvre up and then lift out.

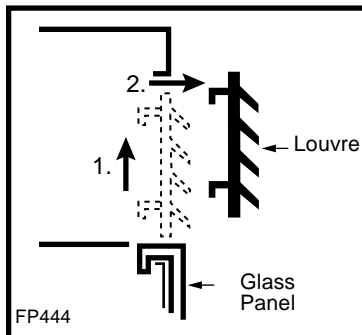


Fig. 15 Louvre removal.

Glass Cleaning

It will be necessary to clean the glass periodically. During start-up, condensation, which is normal, forms on the inside of the glass and causes lint, dust and other airborne particles to cling to the glass surface. Also initial paint curing may deposit a slight film on the glass. It is therefore recommended the glass be cleaned two or three times with a non-ammonia household cleaner and warm water (we recommend gas fireplace glass cleaner). After that the glass should be cleaned two or three times during each heating season depending on the circumstances present.



Clean glass after first two weeks of operation.

Glass Frame Removal

1. Remove the top louvre. (Refer to "Louvre Removal" section)
2. Open the access door.
3. Remove two (2) machine screws from the bottom of glass frame. (Fig. 16)
4. Lift up and unhook glass frame at the top.



Before remounting glass frame, brass trim must be installed. Refer to instructions in "Frame Mounting" section.

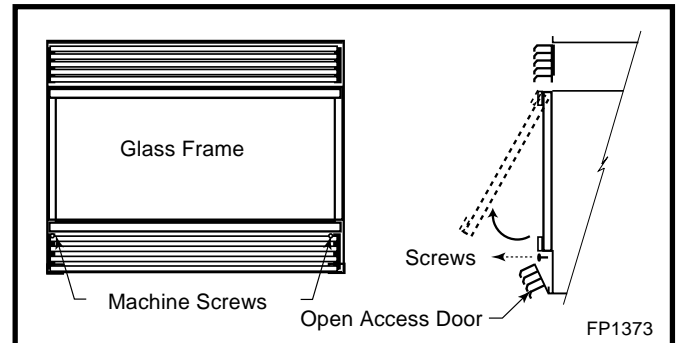


Fig. 16 Remove glass frame.

Installation of Logs

1. Remove front glass. (Refer to "Glass Removal" section)
2. Remove logs from packaging.
3. Place rear log (JR4/KR4 or SR4) on rear bracket (ensure log is seated properly, leveled and centered to the unit), so it will not move from side to side and is firmly positioned on the bracket.
4. Slip front ember log (KR1 or SR1) down in the front deflector.
5. Place front left log (JR2/KR2 or SR2) on top burner, left side. Use log's bottom holes to locate it into the left bracket log locator studs.
6. Place front right log (JR3/KR3 or SR3) on top of burner, right side. Use log's bottom holes to locate it into the right bracket log locator studs.
7. Place burner lava rock material on top of burner. (Refer to Figs. 17, 18 & 19 for proper location).
8. Place top left log (JR5/KR5 or SR5) onto locator notches. Ensure log is secure.
9. Place top right log (JR6/KR6 or SR6) onto locator notches. Ensure log is secure.



Top logs must be placed properly into notches.

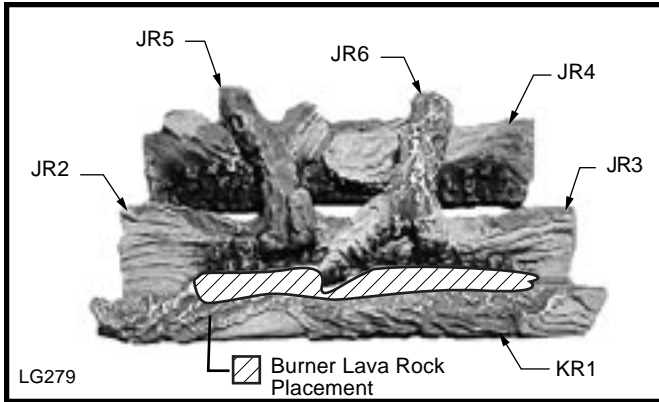


Fig. 17 RHE25 log and lava rock placement.

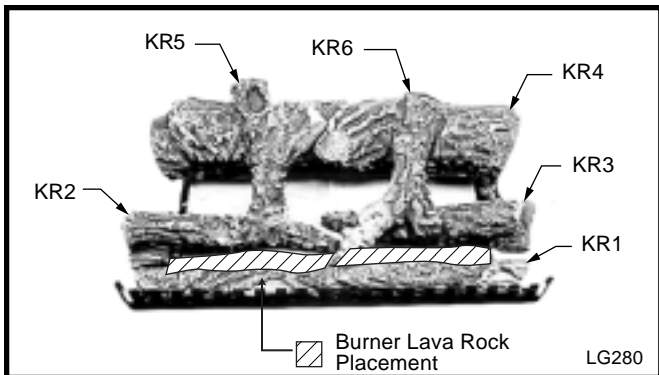


Fig. 18 RHE32 log and lava rock placement.

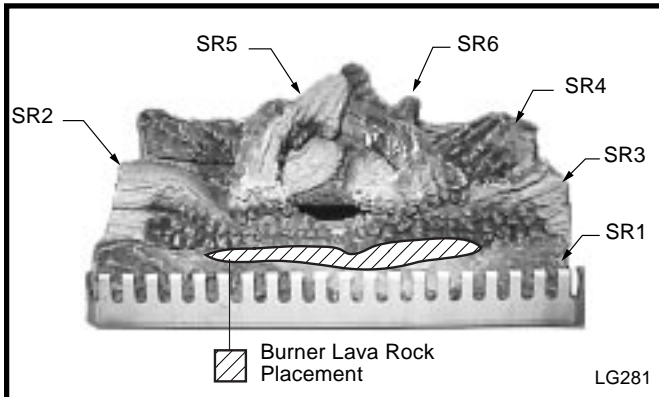


Fig. 19 RHE42 log and lava rock placement.

Large Lava Rock Placement

The large lava rock provided with this fireplace must be placed on the firebox base on either side of the burner assembly.



Under no circumstances should these lava rock be placed on top of the burner assembly.

Flame Adjustment (RN/RP Models)

For fireplaces equipped with HI/LO valve, flame adjustment is accomplished by rotating the HI/LO adjustment knob located near the center of the gas control. (Figs. 20 & 21)



Fig. 20 Flame adjustment knob for Honeywell Valve.

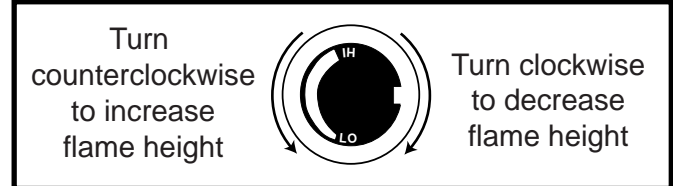


Fig. 21 Flame adjustment knob for SIT Valve.

Temperature Adjustment (TN/TP Models)

The HI/LO reference on the control knob (Fig. 22) is to indicate a higher or lower temperature setting. This setting controls the heat by reducing then shutting off the flame after the desired temperature is reached. Position the control knob where it effectively maintains a comfortable room temperature.

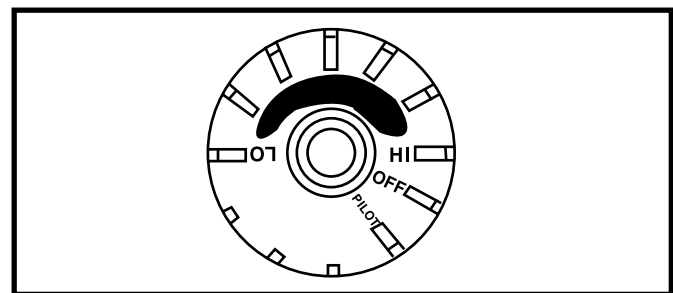


Fig. 22 Temperature adjustment knob for TN/TP models.

Flame Characteristics

It is important to periodically perform a visual check of the pilot and the burner flames. Compare them to Figure 23 and Figure 24 or 25. If any of the flames appear abnormal, call a service person.

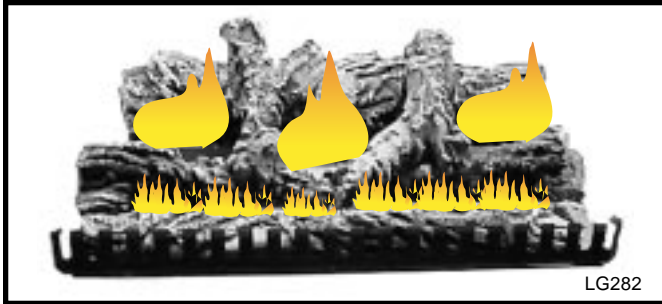


Fig. 23 Correct burner flame appearance for RHE25 and RHE32 models.

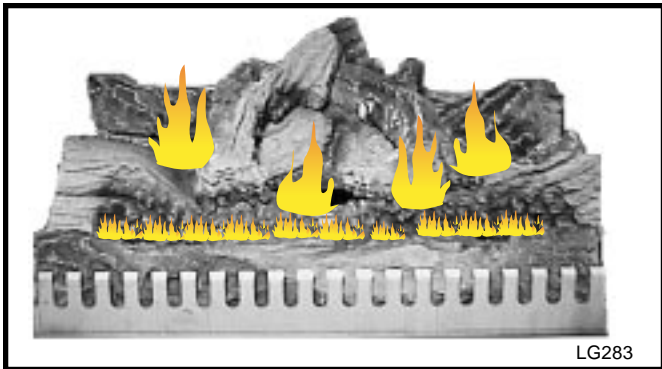


Fig. 24 Correct burner flame appearance for RHE42.

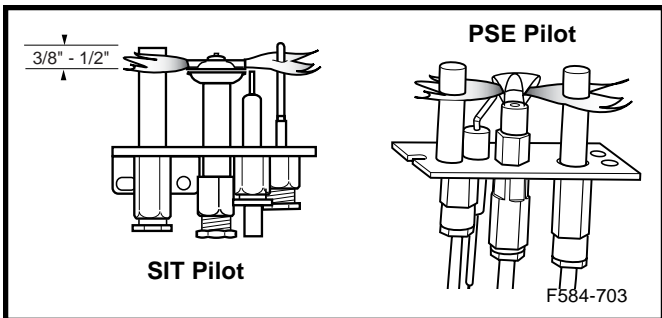


Fig. 25 Correct pilot flame appearance.

First Firing

Upon completing the gas line connection, a small amount of air will be in the lines. When first lighting unit with pilot light, it will take a few minutes to purge themselves of air. Once the purging is complete, the pilot and burner will light and operate as indicated in the instruction manual. Subsequent lightings of the heater will not require such purging.

When lit for the first time, the appliance will emit a slight odor for awhile. This is due to paint and lubricants used in the manufacturing process. After each lighting, vapor may condense and fog the glass; this moisture disappears within a few minutes of burning.

Lighting And Operating Instructions

FOR YOUR SAFETY READ BEFORE LIGHTING

WARNING: If you do not follow these instructions exactly, a fire or explosion may result causing property damage, personal injury or loss of life.

- This heater has a pilot which must be lit manually. When lighting the pilot follow these instructions exactly.
- BEFORE LIGHTING** smell all around the heater area for gas. Be sure to smell next to the floor because some gas is heavier than air and will settle on the floor.


WHAT TO DO IF YOU SMELL GAS

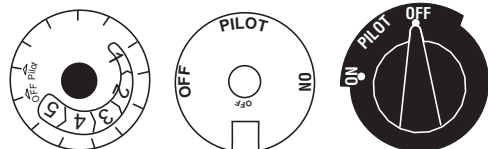
- **Do not try to light any fireplace**
- **Do not touch any electric switch**
- **Do not use any phone in your building**
- **Immediately call your gas supplier from a neighbor's phone. Follow the gas supplier's**

instructions.


- **If you cannot reach your gas supplier, call the Fire Department**
- Use only your hand to push in or turn the gas control knob. Never use tools. If the knob will not push in or turn by hand, do not try to repair it, call a qualified service technician. Applying force or any attempted repair may result in a fire or explosion.
 - Do not use this fireplace if any part has been under water. Immediately call a qualified service technician to inspect the heater and to replace any part of the control system and any gas control which has been under water.

Lighting Instructions

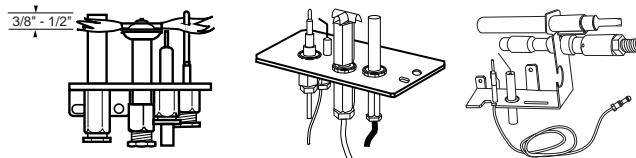
- STOP!** Read the safety information above.
- Turn off all electrical power to the fireplace.
- For MN/MP/TN/TP appliances ONLY, go on to Step 4. For RN/RP appliances turn the On/Off switch to "OFF" position or set thermostat to lowest level.
- Open control access panel.
- Push in gas control knob slightly and turn clockwise  to "OFF".



Euro SIT SIT NOVA Honeywell


- Wait five (5) minutes to clear out any gas. Then smell for gas, including near the floor. If you smell gas, STOP! Follow "B" in the safety information above. If you do not smell gas, go to the next step.
- Remove glass door before lighting pilot. (See Glass Frame Removal section).
- Visibly locate pilot by the main burner.
- Turn knob on gas control counterclockwise  to "PILOT".

- Push the control knob all the way in and hold. Immediately light the pilot by repeatedly depressing the piezo spark ignitor until a flame appears. Continue to hold the control knob in for about one (1) minute after the pilot is lit. Release knob and it will pop back up. Pilot should remain lit. If it goes out, repeat steps 5 through 8.



- If knob does not pop up when released, stop and immediately call your service technician or gas supplier.
 - If after several tries, the pilot will not stay lit, turn the gas control knob to "OFF" and call your service technician or gas supplier.
- Replace glass door.
 - Turn gas control knob to "ON" position.
 - For RN/RP appliances turn the On/Off switch to "ON" position or set thermostat to desired setting.
 - Turn on all electrical power to the fireplace.

To Turn Off Gas To Heater

- Turn the On/Off switch to Off position or set the thermostat to lowest setting.
- Turn off all electric power to the fireplace if service is to be performed.
- Open control access panel.
- Push in gas control knob slightly and turn clockwise  to "OFF". Do not force.
- Close control access panel.

Troubleshooting the Gas Control System

SIT NOVA 820 Millivolt Valve

NOTE: Before trouble shooting the gas control system, be sure external gas shut off is in the “On” position.

WARNING: Before doing any gas control service work, remove glass front.

SYMPTOM	POSSIBLE CAUSES	CORRECTIVE ACTION
1. Spark ignitor will not light	A. Defective or misaligned electrode at pilot.	Using a match, light pilot. If pilot lights, turn off pilot and push the red button again. If pilot will not light - check gap at electrode and pilot-should be 1/8" to have a strong spark.
	B. Defective ignitor (Push Button)	Push Piezo Ignitor Button. Check for spark at electrode and pilot. If no spark to pilot, and electrode wire is properly connected, replace ignitor.
2. Pilot will not stay lit after carefully following lighting instructions.	A. Defective pilot generator (thermocouple), remote wall switch.	Check pilot flame. Must impinge on thermocouple/thermopile. Note: this pilot burner assembly utilizes both-a thermocouple and a thermopile. The thermocouple operates the main valve operation (On and Off). Clean and or adjust pilot for maximum flame impingement on thermopile and thermocouple.
	B. Defective automatic valve	Turn valve knob to “Pilot”. Maintain flow to pilot; millivolt meter should read greater than 10 mV. If the reading is okay and the pilot does not stay on, replace the gas valve. Note: An interrupter block (not supplied) must be used to conduct this test.
3. Pilot burning, no gas to main burner	A. Wall switch or wires defective	Check wall switch and wires for proper connections. Jumper wire across terminals at wall switch, if burner comes on, replace defective wall switch. If okay, jumper wires across wall switch wires at valve, if burner comes on, wires are faulty or connections are bad.
	B. Thermopile may not be generating sufficient millivoltage.	<ol style="list-style-type: none"> 1. Be sure wire connections from thermopile at gas valve terminals are tight and thermopile is fully inserted into pilot bracket. 2. One of the wall switch wires may be grounded. Remove wall switch wires from valve terminals if pilot now stays lit, trace wall switch wiring for ground. May be grounded to fireplace or gas supply. 3. Check thermopile with millivolt meter. Take reading at thermopile terminals of gas valve. Should read 250-300 millivolts (minimum 150) while holding valve knob depressed in pilot position and wall switch “Off”. Replace faulty thermopile if reading is below specified minimum.
	C. Plugged burner orifice.	Check burner orifices for debris and remove.
	D. Defective automatic valve operator.	Turn valve knob to “On”, place wall switch to “On” millivolt meter should read greater than 100 mV. If the reading is okay and the burner does not come on, replace the gas valve.
4. Frequent pilot outage problem.	A. Pilot flame may be too low or blowing (high) causing the pilot safety to drop out.	Clean and/or adjust pilot flame for maximum flame impingement on thermopile and thermocouple.
	B. Possible blockage of the vent terminal.	Check the vent terminal for blockage (recycling the flue gases)

Troubleshooting the Gas Control System

Eurosit 630 Gas Valve

NOTE: Before troubleshooting the gas control system, be sure external gas shut off is in the "On" position.

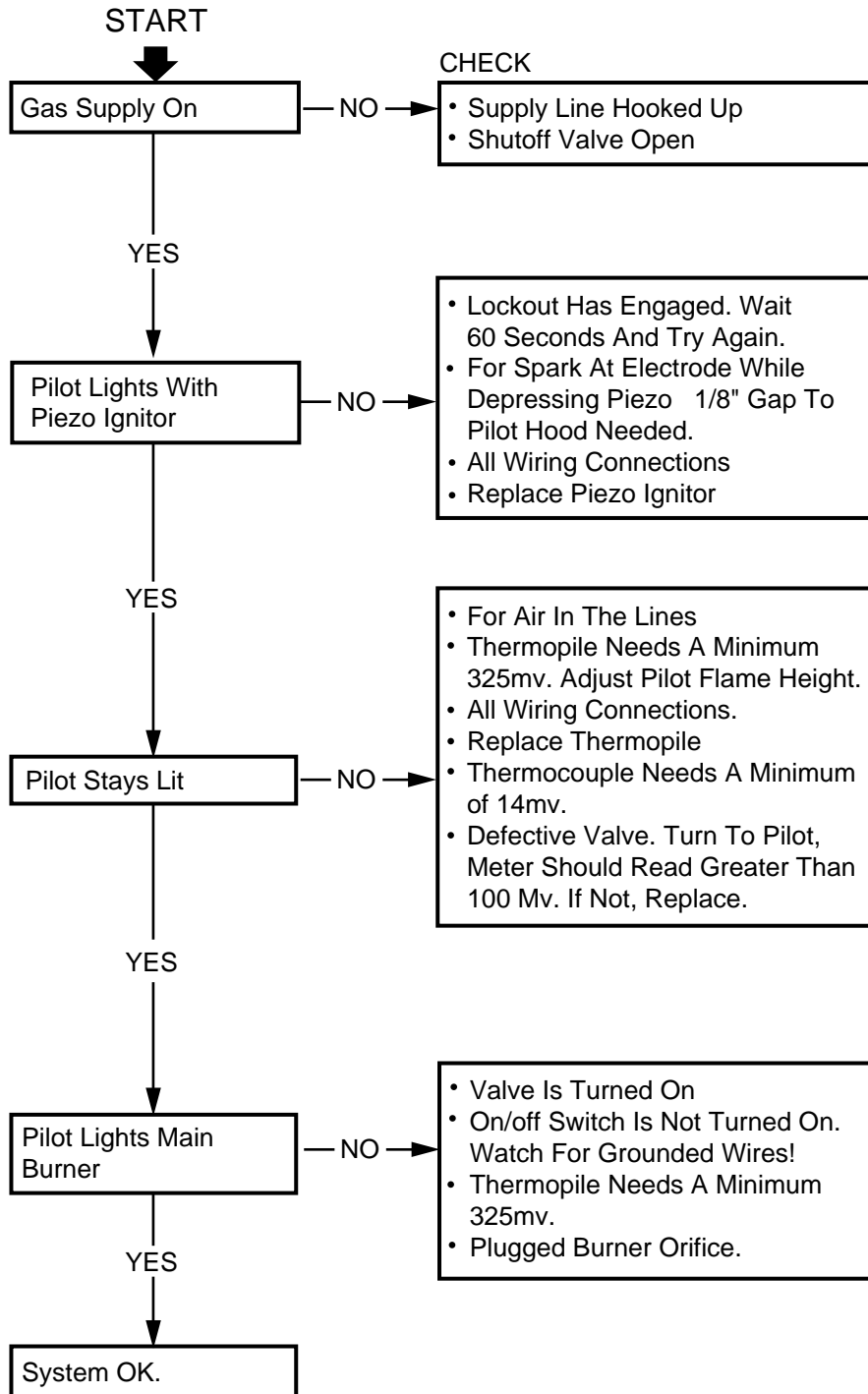


WARNING: Before doing any gas control service work, remove glass front.

Symptom	Possible Causes	Corrective Action
1. Spark ignitor will not light	A. Defective or misaligned electrode at pilot. B. Defective ignitor (Push Button)	Using a match, light pilot. If pilot lights, turn off pilot and push the red button again. If pilot will not light - check gap at electrode and pilot-should be 1/8" to have a strong spark. Push Piezo Ignitor Button. Check for spark at electrode and pilot. If no spark to pilot, and electrode wire is properly connected, replace ignitor.
2. Pilot will not stay lit after carefully following lighting instructions.	A. Defective pilot generator thermocouple. B. Defective automatic valve operator.	Check pilot flame. Must impinge on thermocouple. Clean and or adjust pilot for maximum flame impingement on thermocouple. Turn valve knob to "Pilot". Maintain flow to pilot; millivolt meter should read greater than 10 mV. If the reading is okay and the pilot does not stay on, replace the gas valve. Note: An interrupter block (not supplied) must be used to conduct this test.
3. Pilot burning, no gas to burner, Valve knob "ON".	A. Sensing bulb not in proper location. B. Temperature sensing bulb damaged or tubing to bulb kinked	Make sure sensing bulb is located in bracket on the lower right hand side of unit. Carefully examine sensing bulb and capillary tube for damage. If tubing is kinked, replace gas valve.
4. Frequent pilot outage problem.	A. Pilot flame may be too low or blowing (high) causing the B. Possible leak in liner or seals.	Clean and/or adjust pilot flame for maximum flame impingement on thermocouple. pilot safety to drop out. Check the venting for leaks or blockage.

Troubleshooting the Gas Control System

Honeywell Millivolt Valve



Maintenance

Burner and Burner Compartment

It is important to keep the burner and the burner compartment clean. At least once per year the logs and lava rock/ember material should be removed and the burner compartment vacuumed and wiped out. Remove and replace the logs as per the instructions in this manual.



Always handle the logs with care as they are fragile and may also be hot if the fireplace has been in use.

Fan Assembly

The fan unit requires periodic cleaning. At least once per month in the operating season, open the lower louver panels and wipe or vacuum the area around the fan to remove any build up of dust or lint.

Cleaning the Standing Pilot

Control System

The burner and control system consists of:

- main burner
- pilot burner
- gas orifice
- thermopile
- combination millivolt gas valve

Most of these components may require only an occasional checkup and cleaning and some may require adjustment. If repair is necessary, it should be performed by a qualified technician.

In order to properly clean the burner and pilot assembly, turn off the gas to the unit, remove the window frame panel and logs exposing the burner and pilot assembly. Clean all foreign materials from the top of the burner. Check to make sure that burner parts are clean.

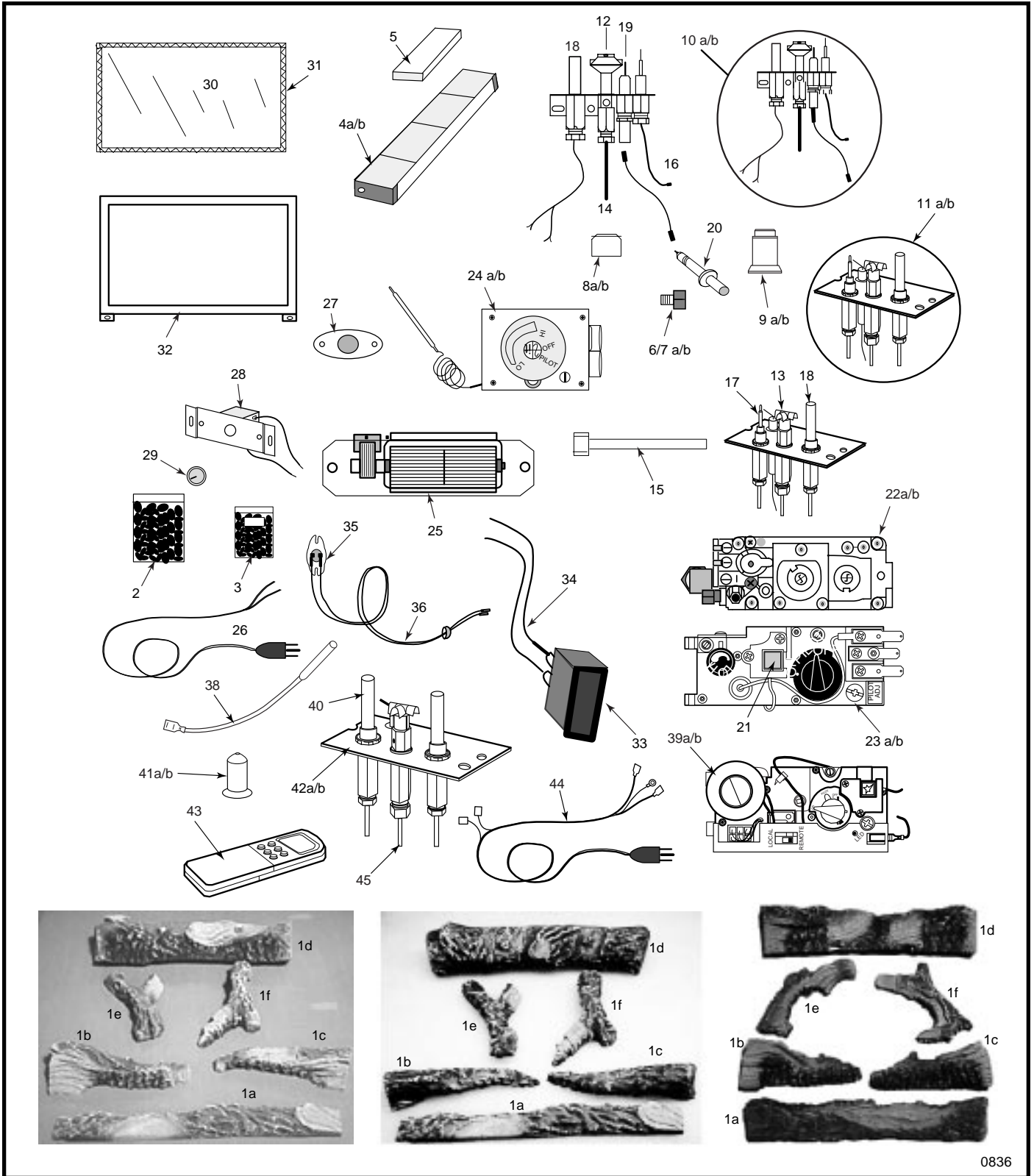
Visually inspect pilot. Brush or blow away any dust or lint accumulation. If pilot orifice is plugged, disassembly may be required to remove any foreign material from the orifice or tubing.

To obtain proper operation, it is imperative the pilot and burner's flame characteristics are steady, not lifting or floating.

Typically, the top 1/8" of the thermopile should be engulfed in the pilot flame. (Page 13, Fig. 25)

Brass Cleaning

Clean the brass trim with a soft clean cloth, slightly dampened with lemon oil and buff with a soft dry cloth. Do not use brass polish or household cleaners as these products will damage the trim. Lemon oil can be obtained at supermarkets or hardware stores.



0836

Vermont Castings, Majestic Products reserves the right to make changes in design, materials, specifications, prices and discontinue colors and products at any time, without notice.

RHE25/32/42 Series

RHE25/32/42 Series (continued)

Ref.	Description	RHE25	RHE32	RHE42
1.	Log Set Complete	10000191	57896	10000206
1a.	Log Ember Front	KR1	KR1	SR1
1b.	Log Front Left	JR2	KR2	SR
1c.	Log Front Right	JR3	KR3	SR3
1d.	Log Rear	JR4	KR4	SR4
1e.	Log Top Left	JR5	KR5	SR5
1f.	Log Top Right	JR6	KR6	SR6
2.	Lava Rock (Package)	10001454	10001454	10001454
3.	Burner Lava Rock (Package)	57897	57897	57897
4a.	Burner Complete with tiles Nat.	10000192	57903	10000869
4b.	Burner Complete with tiles Prop.	10000193	57904	10000870
5.	Ceramic Tile (Single)	57803	57803	57803
6a.	Orifice Front Burner Nat.	See Rating Plate for Orifice Size		
6b.	Orifice Front Burner Prop.	See Rating Plate for Orifice Size		
7a.	Orifice Main Burner Nat.	See Rating Plate for Orifice Size		
7b.	Orifice Main Burner Prop	See Rating Plate for Orifice Size		
8a.	Orifice Pilot SIT Nat.	54273	54273	54273
8b.	Orifice Pilot SIT Prop	54272	54272	54272
9a.	Orifice Pilot PSE Nat.	10001822	10001822	10001822
9b.	Orifice Pilot PSE Prop.	10001823	10001823	10001823
10a.	Pilot Assembly SIT Nat.	10000672	10000672	10000672
10b.	Pilot Assembly SIT Prop.	10000673	10000673	10000673
11a.	Pilot Assembly PSE Nat.	10001739	10001739	10001739
11b.	Pilot Assembly PSE Prop.	10001740	10001740	10001740
12.	Pilot SIT	10001295	10001295	10001295
13.	Pilot w/ignitor and cable PSE	10001824	10001824	10001824
14.	Pilot Tubing w/fittings	10001296	10001296	10001296
15.	Manifold Tubing w/fittings	57318	57318	57318
16.	Thermocouple w/ Interrupter SIT	54912	54912	54912
17.	Thermocouple w/Interrupter PSE	10001828	10001828	10001828
18.	Thermopile	51827	51827	51827
19.	Electrode Ignitor w/cable SIT	10001297	10001297	10001297
20.	Ignitor Piezzo SIT	52464	52464	52464
21.	Ignitor Piezzo Honeywell	20000062	20000062	20000062
22a.	Valve SIT 820 Nat.	52677	52677	52677
22b.	Valve SIT 820 Prop.	52678	52678	52678
23a.	Valve Honeywell Nat.	10001782	10001782	10001782
23b.	Valve Honeywell Prop.	10001759	10001759	10001759
24a.	Valve Eurosit 630 Nat.	10001105	10001104	10001104
24b.	Valve Eurosit 630 Prop.	10001106	10001102	10001102
25.	Fan with Bracket	54103	54103	54103
26.	Electrical Cord (6ft.)	51865	51865	51865
27.	Fan Temperature Sensor	51704	51704	51704
28.	Speed Control	51738	51738	51738

RHE25/32/42 Series (continued)

Ref.	Description	RHE25	RHE32	RHE42
29.	Speed Control Knob	51882	51882	51882
30.	Glass with Gasket	54595	51735	10000961
31.	Gasket Glass	57316	57316	57316
32.	Frame Window	54455	57914	10000837
33.	Remote Switch	53606	53606	53606
34.	Remote Wire Harness w/ terminals	57265	57265	57265
35.	Vent Safety Switch	51866	51866	51866
36.	Vent Safety Switch Wiring Harness	54849	54849	54849
37.	Ceramic Refractory Kit (Not Shown)	JT2TBO	KT2TBO	10000851
38.	Antennae HW 395783-1 RFN/RFP Valve	--	20003561	20003561
39a.	RF Valve 8310E - Natural	--	20003719	20003719
39b.	RF Valve 8310E - LP	--	20003720	20003720
40.	Thermopile - RF Valve	--	20002400	20002400
41a.	Pilot Orifice - Natural - RF	--	20000908	20000908
41b.	Pilot Orifice - LP - RF	--	20000907	20000907
42a.	Pilot Assembly - Natural (3 Way) RF	--	20002266	20002266
42b.	Pilot Assembly - LP (3 Way) RF	--	20002268	20002268
43.	Transmitter	--	20002047	20002047
44.	Cord Set	--	20002541	20002541
45.	Pilot Tube 1/8" x 24" long w/Fittings (PSE Pilot)	--	10003279	10003279

Optional Accessories

Ceramic Refractory

Optional for RHE25 and RHE32

Model	Description
RHE25CR	Ceramic Firebox Liner
RHE32CR	Ceramic Firebox Liner
RHE42CR	Ceramic Firebox Liner

1. Remove front glass (Refer to Glass Frame Removal section)
2. Remove logs from unit.



Logs may be hot!

3. Remove refractory from packaging.



Refractory are fragile and must be handled with care. Where at all possible, two hands should be used when handling.

4. Take center refractory and tilt so bottom edge slides into support angle in back of fireplace.
5. Now press center refractory to back side of fireplace and hold in place.
6. Take left or right refractory and align it so leading edge faces outward. Place refractory in fireplace side and slide it back to support center refractory.
7. Install metallic piece in the leading edge (RHE32 only).
8. Repeat Step 6 and 7 for remaining side refractory.



When side refractory is installed correctly, the center refractory will be supported by the side refractory.

9. Fasten top tab supports against refractory to hold sides in place.

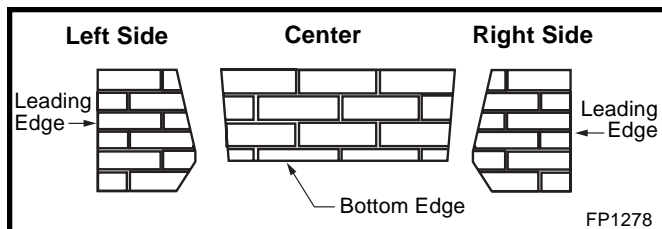


Fig. 26 Ceramic refractory.

Zero Clearance Kit

For installations other than in existing woodburning fireplaces such as new construction or renovation projects, a Zero Clearance Kit must be used. The HEZC enables these inserts to be installed in combustible environments. It is recommended that an Air Kit (AKZC) be installed whenever using a Zero Clearance Kit. Consideration must be given to the dimensions of

the Zero Clearance Kit and the requirements of the Air Kit when planning out the installation.

Follow the instructions supplied with the Zero Clearance Kit carefully for proper installation.

Remote Controls

Optional remote control units are available to control different functions of the appliance.

Model	Function(s) Controlled
MRC1	ON/OFF
MRC2	ON/OFF and Temperature
MRC3	ON/OFF and Temperature control with a digital and a programmable 24 hour clock
IMT	Wall mounted thermostat control

A Trim Options for RHE25

A1 RHE25SSP, RHE25LP

Trim Assembly

RHE25SSP

1. Install trim channels (left and right sides). Use two screws to assemble each piece.
2. Slide on the trim top channel and fasten it from the back side.
3. Install the trim top deflector using two screws.
4. Remove ALL plastic protective covering from brass trim.

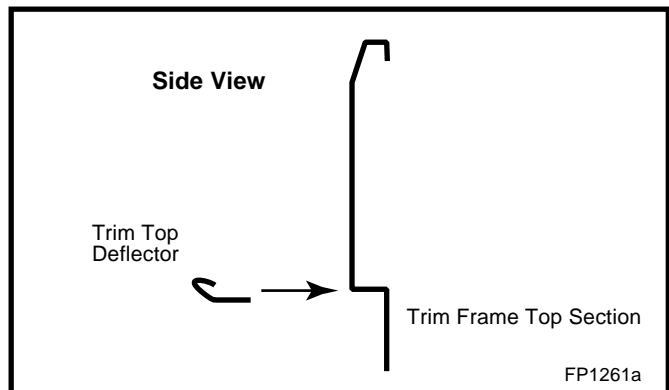


Fig. 27 Trim top deflector.

HE25LP

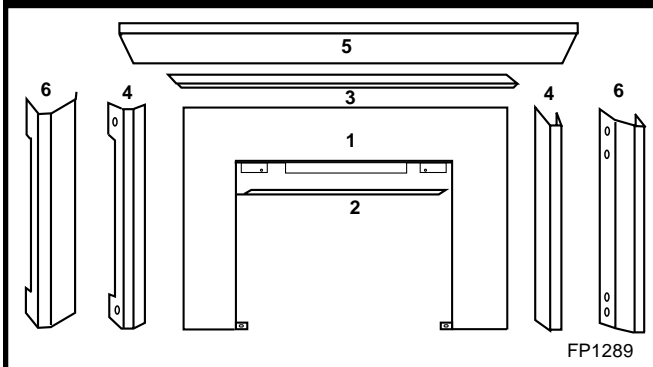
1. To install the kit you do not have to remove any piece of brass, you just add the external pieces.
2. Remove the frame trim from the unit if it is already installed.
3. Install trim channels (left and right sides) by removing the two screws that hold the side brass trim and put them back to hold both parts.
4. Slide on the trim top channel and fasten it from the back side.

5. Remove the two screws that hold the top brass trim.
6. Install the two brackets to the studs in the bottom of the top channel. Use the nuts supplied with top trim channel.



A flat louvre kit OR a bay window kit need to be chosen to complete the installation.

RHE25SSP & HE25LP Replacement Parts



Vermont Castings, Majestic Products reserves the right to make changes in design, materials, specifications, prices and discontinue colors and products at any time, without notice.

IMPORTANT: Only trim panel assemblies approved by Vermont Castings, Majestic Products can be used on these products.

ALL repair parts will be available from your local dealer.

When ordering, always give the following information: Model and serial number, part description with finish and part number.

Key	Description	RHE25SSP	HE25LP ⁽¹⁾
1	Trim Frame Black	10001939	-
2	Trim Top Deflector	55099	-
3	Trim Top Channel ⁽¹⁾	55077	-
4	Trim Side Channel	55096	-
5	Trim Top Channel	-	55097
6	Trim Side Channel	-	55080
7	Fasteners Package (Not Shown)	54618	57633

(1) LP trim to be used with SSP trim.

SSP trim dimensions are for openings smaller than 26½" H x 38" W (673mm x 965mm).

LP trim dimensions are for openings smaller than 29" H x 41" W (736mm x 1040mm).

A2 HE25FP Trim

For use with RHEDV25

HE25FP Flat face louvres with polished window brass trim

Trim Assembly

1. Remove the front glass (see "Glass Frame Removal" section).
2. Install top and bottom brass trim by using the shortest black screw. (Fig. 28 & 29)
3. Install bottom decorative plate by simply sliding it under the unit floor. No fastening is required for this installation. (Fig. 30) Be sure to remove protective cover.
4. Install the bottom louvre assembly by fastening the hinges with four screws to the pre-punched holes in the cabinet.
5. Re-install the front glass.
6. Install the top louvre by using the hooks to hang it in place.

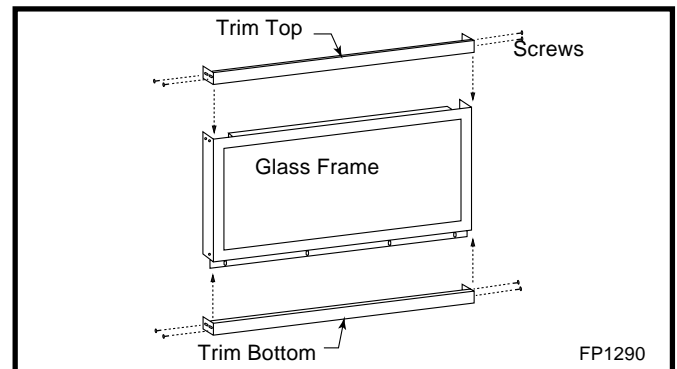


Fig. 28 Install top and bottom brass trim.

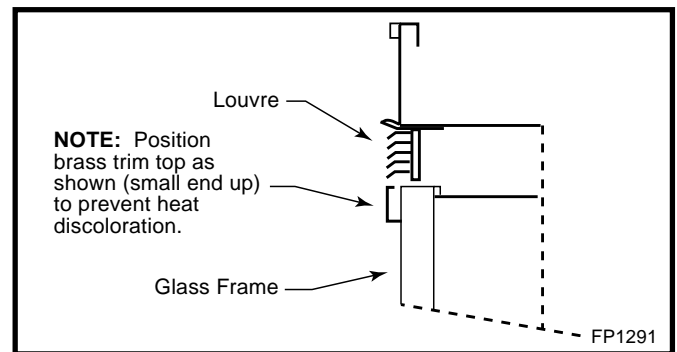


Fig. 29 Position brass trim to with small end up.

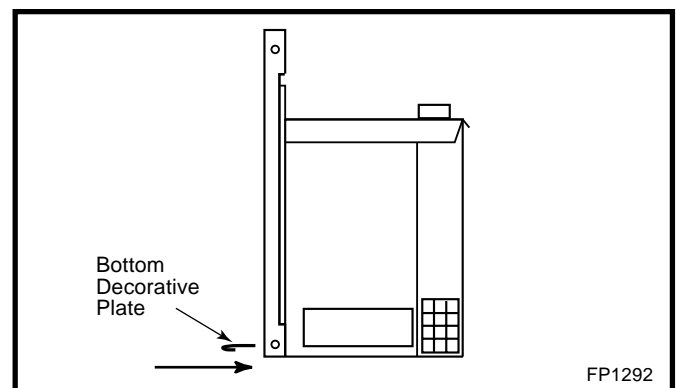
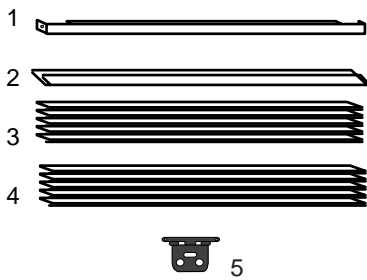


Fig. 30 Slide bottom decorative plate under unit floor.

HE25FP Replacement Parts



FP1293

Vermont Castings, Majestic Products reserves the right to make changes in design, materials, specifications, prices and discontinue colors and products at any time, without notice.

IMPORTANT: Only trim panel assemblies approved by Vermont Castings, Majestic Products can be used on these products.

ALL repair parts will be available from your local dealer. When ordering, always give the following information: Model and serial number, part description with finish and part number.

Key	Description	HE25FP
1	Trim Window Top/Bottom	55098
2	Trim Bottom Channel	55079
3	Top Louvre Assembly	54603
4	Bottom Louvre Assembly	54604
5	Hinge	52356
6	Fasteners Package (Not Shown)	57916

A3 HE25BTKP

For use with RHEDV25

HE25BTKP Bay window kit with polished brass trim

Do not remove existing glass with frame.



Trim Assembly

1. Reposition controls.

- Remove the Fan Speed Control Box. (Fig. 31)
- Attach the Fan Speed Control Box to the Bracket (Fig. 32) and install the Bracket into the Cabinet.

Only for RN/RP VALVE units:

- Install the Control Knob Extensions onto the appropriate Control Valve Knobs. (Fig. 33)



On units fitted with a Honeywell brand control valve the location of the control knobs and the ignitor button may vary slightly from those shown in Figure 33. The Honeywell extension pieces are visually different in design and are not interchangeable with the RN/RP knobs shown in Figure 33.

- Install the hanging brackets. (Fig. 34)
- Install bracket on each side of the cabinet. Fig. 38)
- Install the ceramic piece inside the bay window.
- Install the bay window by hanging it onto the lower tabs of the hanging brackets. (Fig. 35)
- Install top louvre by engaging the oblong holes with the upper tabs of the hanging brackets. (Fig. 36)
- Install brass trim to the steel frame. (Fig. 37)

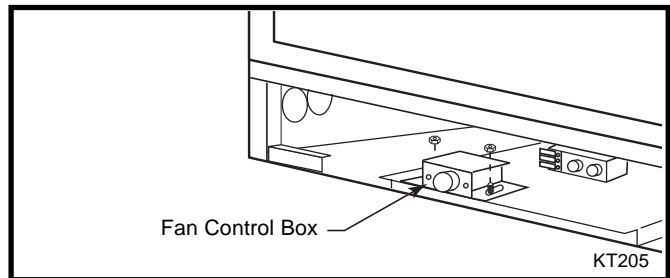


Fig. 31 Remove fan control box.

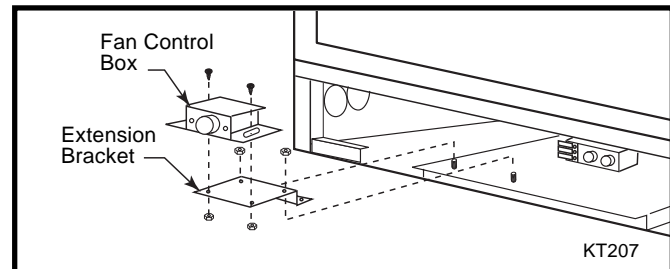


Fig. 32 Attach the control box to the bracket and install bracket into the cabinet.

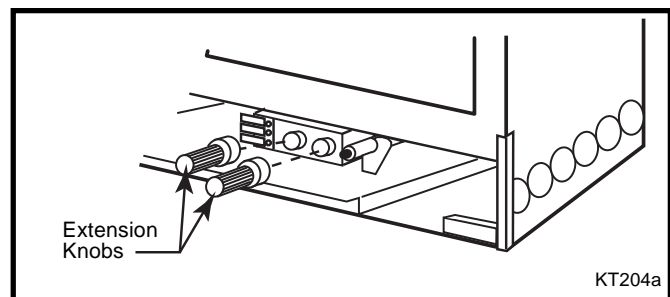


Fig. 33 Install the knob extensions. (RN/RP models Only)

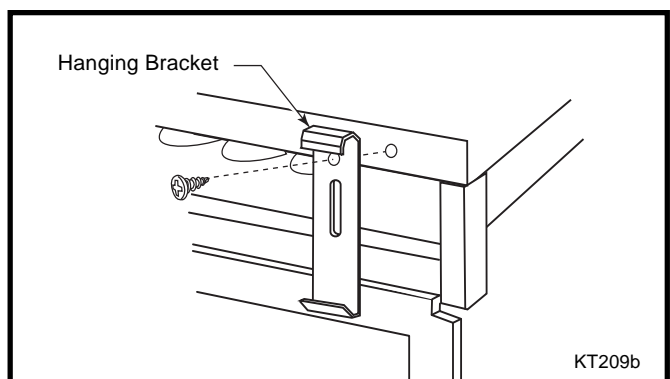
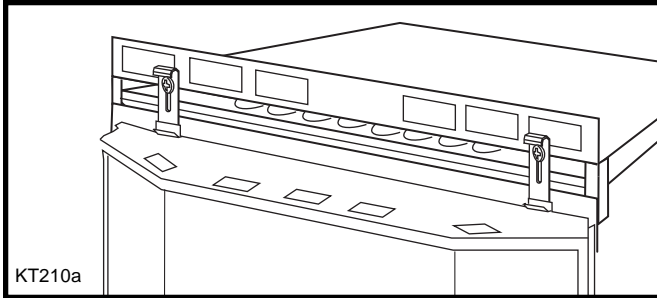
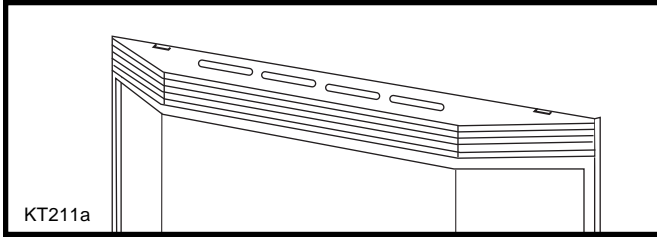


Fig. 34 Hanging bracket alignment.



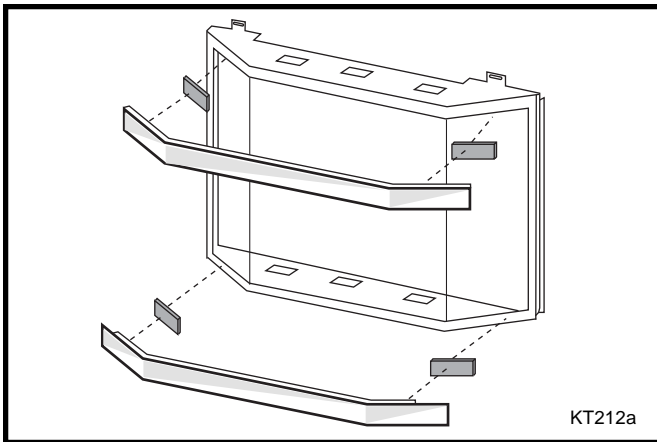
KT210a

Fig. 35 Hang the window grille or the steel frame onto the lower tabs of the hanging brackets.



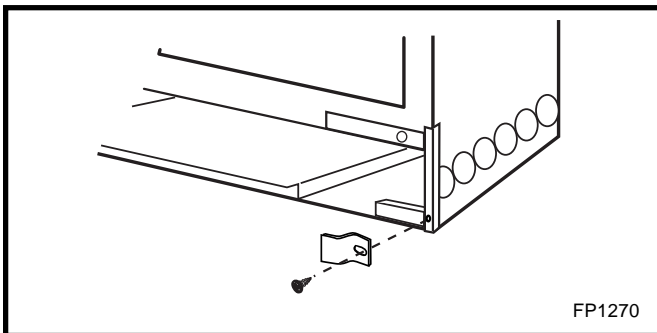
KT211a

Fig. 36 Engage the slots in the upper grille top louvre with the upper tabs of the hanging brackets.



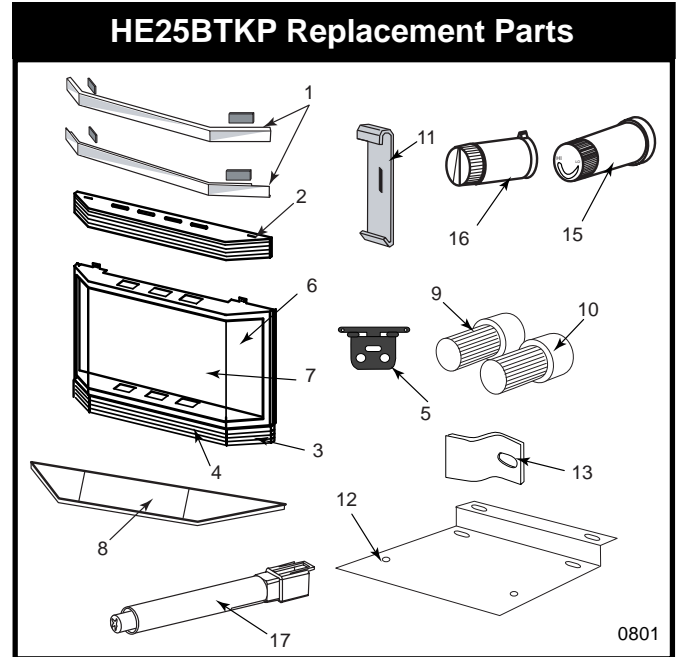
KT212a

Fig. 37 Attach magnets and brass trim to the steel frame.



FP1270

Fig. 38 Bracket for HE25BTKP.



0801

Vermont Castings, Majestic Products reserves the right to make changes in design, materials, specifications, prices and discontinue colors and products at any time, without notice.

IMPORTANT: Only trim panel assemblies approved by Vermont Castings, Majestic Products can be used on these products.

ALL repair parts will be available from your local dealer. When ordering, always give the following information: Model and serial number, part description with finish and part number.

Key	Description	HE25BTKP
1	Trim Window Top & Bottom (w/magnets)	10000779
2	Top Louvre Assembly	10000780
3	Bottom Louvre Assembly	10000787
4	Control Door	10000786
5	Hinge	52356
6	Glass Side	10000388
7	Glass Front	10000389
8	Ceramic Refractory Bay	10000529
9	Extension Knob On/Off (only for RN/RP valves)	55163
10	Extension Knob Hi/Lo (only for RN/RP valves)	55162
11	Bracket Hanging Bay Window	1409129
12	Bracket Extension Rheostat	1409146
13	Bracket Mounting Bay Window	57877
14	Hardware Package (Not Shown)	10000530
15	Extension Knob Hi/Lo (Honeywell Valve)	20000006
16	Extension Knob On/Off (Honeywell Valve)	20000007
17	Extension Knob Piezo Ignitor (Honeywell Valve)	20001427

A4 Riser Kits

For use with RHEDV25 (Refer to Page 34, Figure 55)

1. Install the unit according to Homeowner's Manual.
2. Install the trim according to Installation Instructions.
3. Remove the two (2) screws at the bottom of the trim.
4. Install the riser at the bottom of the trim. (Fig. 55)
5. Fasten the trim with the same two (2) screws removed in Step 3.

Riser Trim Dimensions

	Length - A	Height - B	Depth - C
RHE25R1-Riser 1"	38.3" (973mm)	1" (25.6mm)	2.86" (72.8mm)
RHE25R2-Riser 2"	38.3" (973mm)	2" (50.9mm)	2.89" (73.6mm)
RHE25R5-Riser 5"	38.3" (973mm)	5" (127.9mm)	2.86" (72.8mm)

B Trim Options for RHE32

B1 RHES, RHESL, RHESD, RHESLD, & RHESXL Trims

For use with RHEDV32

Frame Assembly

RHES, RHESL, RHESD, RHESLD and RHESXL

1. Lay Trim Top Facing and Trim Side Facings, face down on to an even surface such as a table or floor. Be sure not to scratch the painted surfaces.
2. Install the nuts and bolts. (Fig. 39)

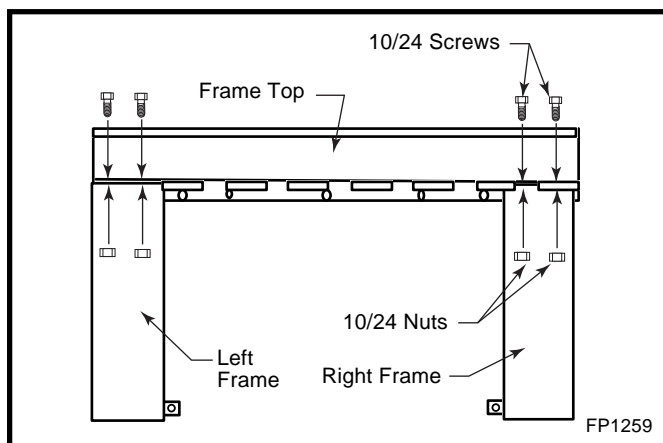


Fig. 39 Attache left and right frame to frame top.

Trim Assembly

RHES, RHESL and RHESXL (Fig. 40)

1. Install trim channels (left and right sides). Use two (2) screws to assemble each piece.
2. Slide on the trim top channel and fasten it from the back side.

3. Install the trim top deflector and use two (2) screws to fasten it. (Fig. 40 & 41)
4. Remove ALL plastic protective covering from brass trim.

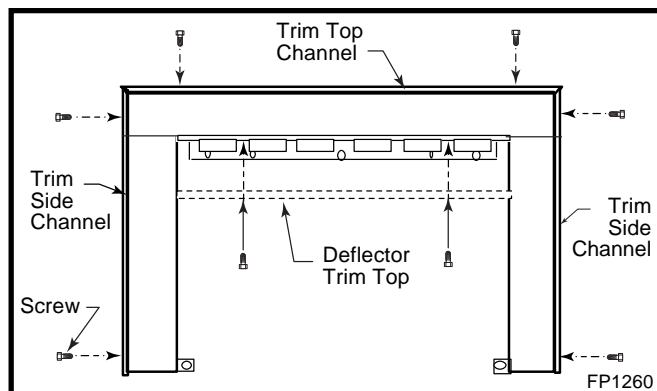


Fig. 40 Install trim channels and trim top deflector.

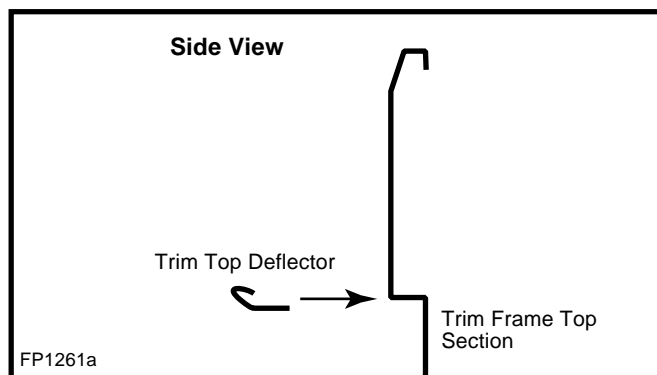


Fig. 41 Trim top deflector.

RHESD and RHESLD (Fig. 42)

1. Install trim channels (left and right sides). Use two (2) screws to assemble each piece.
2. Peel off plastic protective covering from top edges of the inner sides where they will be covered by the inner top trim facing.
3. Place the trim facing inner top in place (do not fasten it yet). Peel off the plastic protective covering from the bottom edge.
4. Install the trim top deflector and fasten it (will hold the inner top piece). Use two (2) screws to assemble them.
5. Install trim channels (left and right sides). Use two (2) screws to assemble each piece.
6. Slide on the trim top channel and fasten it from the back side.
7. Remove ALL plastic protective covering from brass trim.

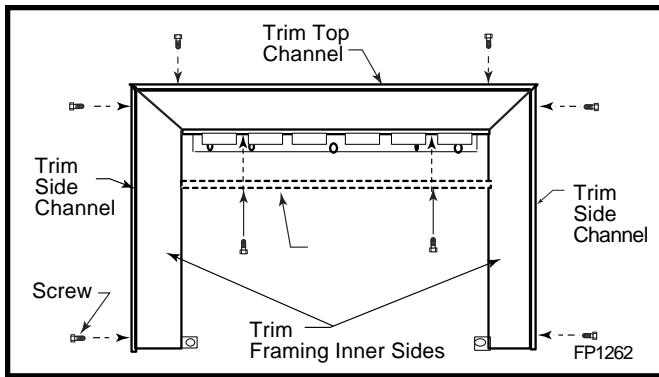


Fig. 42 RHESSD and RHESLD trim assembly.



A flat louvre kit OR a bay window kit need to be chosen to complete the installation.

Frame Mounting

General Information

The Decorative Front Frame should be installed last after all other work, such as gas connections, venting, etc., has been completed and thoroughly checked and tested for operation, leaks and proper installation requirements.

Fit decorative frame to the fireplace and fasten. (Fig. 43)

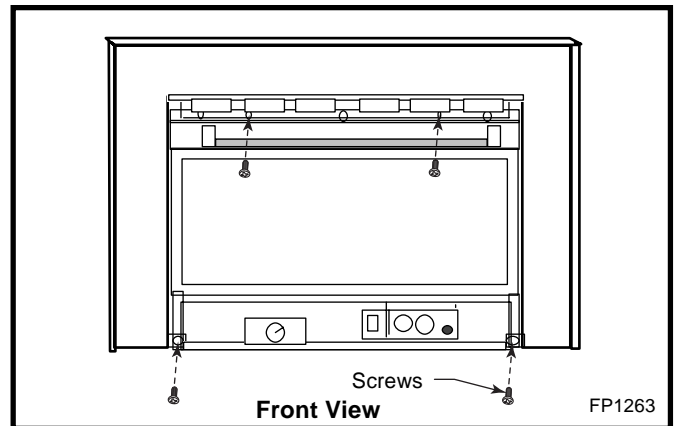


Fig. 43 Frame mounting.

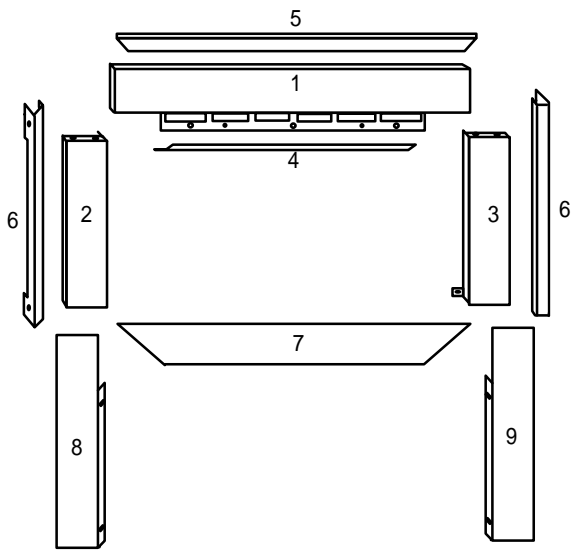


Plastic on the trim must be removed before mounting onto the fireplace.



Glass must be tightly pressed against the front of the frame in order to prevent screws from damaging glass edges.

RHESS, RHESL, RHESSD, RHESLD, RHESXL Trim Replacement Parts



IMPORTANT: Only trim panel assemblies approved by Vermont Castings, Majestic Products can be used on these products.

ALL repair parts will be available from your local dealer.

When ordering, always give the following information: Model and serial number, part description with finish and part number.

FP1264

Vermont Castings, Majestic Products reserves the right to make changes in design, materials, specifications, prices and discontinue colors and products at any time, without notice.

Key	Description	RHESS ⁽²⁾	RHESL ⁽³⁾	RHESSD ⁽³⁾	RHESLD ⁽³⁾	RHESXL ⁽⁴⁾
1	Trim Frame Top, Flat Black	57929	57932	57929	57932	57935
2	Trim Frame Left, Flat Black	57927	57930	57927	57930	57933
3	Trim Frame Right, Flat Black	57928	57931	57928	57931	57934
4	Trim Top Deflector ⁽¹⁾	17634	17634	17634	17634	17634
5	Trim Top Channel ⁽¹⁾	50586	50587	17611	17612	52787
6	Trim Side Channel Left ⁽¹⁾	50589	50590	17623	17624	52788
7	Trim Facing Inner Top ⁽¹⁾	-	-	17609	17610	-
8	Trim Facing Inner Left ⁽¹⁾	-	-	17620	17619	-
9	Trim Facing Inner Right ⁽¹⁾	-	-	17622	17621	-
10	Fasteners Package (Not Shown)	55043	55043	55043	55043	55043

(1) Specify Finish (Antique or Polished Brass)

(2) SS and SSD trim dimensions are for openings smaller than 26½"H x 38" W (673mm x 965mm)

(3) SL and SLD trim dimensions are for openings smaller than 29"H x 41" W (736mm x 1040mm)

(4) SXL trim dimensions are for openings smaller than 32"H x 43" W (813mm x 1092mm)

B2 RHEBSL & RHEBXL Trims

For use with RHEDV32

Trim Assembly

RHEBSL

1. Install trim channels (left and right sides). Use two (2) screws to assemble each piece.
2. Slide on the trim top channel and fasten it from the back side.
3. Install the trim top deflector. Use two (2) screws to fasten it. (Fig. 44)
4. Remove ALL plastic protective covering from brass trim.

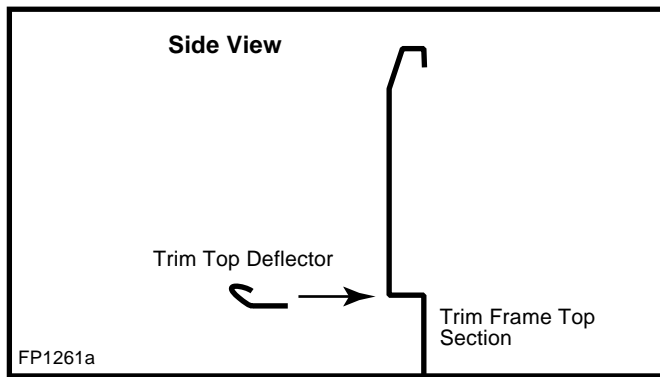


Fig. 44 Trim top deflector.

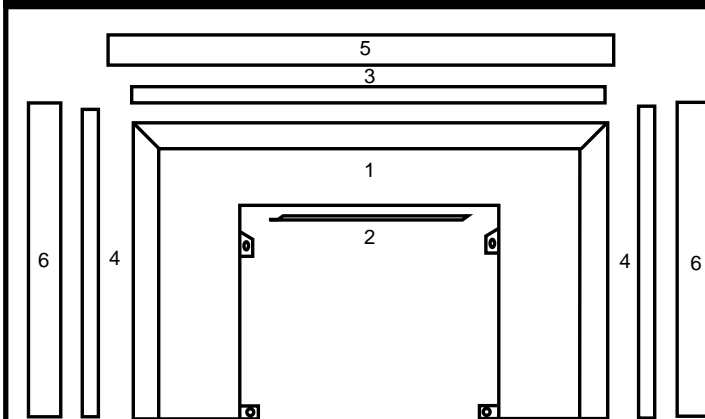
RHEBXL

To install the kit you do not have to remove any piece of brass, just add the external pieces.

Remove the frame trim from the unit if it is already installed.

1. Install trim channels (left and right sides) by removing the two (2) screws that hold the side brass trim and put them back to hold both parts.
2. Slide on the trim top channel and fasten it from the back side.
3. Remove the two (2) screws that hold the top brass trim.
4. Install the two (2) brackets to the studs in the bottom of the top channel. Use the nuts supplied with the kit.
5. Reinstall the two (2) screws to hold the top trim channel.

RHEBSLP, RHEBSLA, RHEBXL, RHEBXLA Trim Replacement Parts



IMPORTANT: Only Trim Panel Assemblies Approved by Vermont Castings, Majestic Products Can Be Used on These Products.

ALL repair parts will be available from your local dealer.

When ordering, always give the following information: Model and serial number, part description with finish and part number;

- (1) RHEBXL or RHEBXLA to be used with RHEBSLP or RHEBSLA trims.
- (2) SL trim dimensions are for openings smaller than 27½"H x 40½" W (700mm x 1030mm)
- (4) XL trim dimensions are for openings smaller than 30"H x 45⅝" W (765mm x 1160mm)

Vermont Castings, Majestic Products reserves the right to make changes in design, materials, specifications, prices and discontinue colors and products at any time, without notice.

Key	Description	RHEBSLP	RHEBSLA	RHEBXL ⁽¹⁾	RHEBXLA ⁽¹⁾
1	Trim Frame Flat Black	57926	57926	-	-
2	Trim Top Deflector	17634-PB	17634-AB	-	-
3	Trim Top Channel	57864	57844	-	-
4	Trim Side Channel	57862	57843	-	-
5	Trim Outer Top Channel	-	-	57861	57845
6	Trim Outer Side Channel	-	-	57863	57846
7	Fasteners Package (Not Shown)	54618	54618	57633	57633

B3 RHEFA and RHEFP Trims

For use with RHEDV32

Trim Assembly

1. Remove the front glass (Refer to "Glass Frame Removal" section).
2. Install support window trim channel, top and bottom brass trim by using the shortest black screw. (Fig. 45 & 46)
3. Install bottom decorative plate by simply sliding it under the unit floor. No fastening is required for this installation. (Fig. 47) Be sure to remove protective cover.
4. Install the bottom louvre assembly by fastening the hinges with four (4) screws to the pre-punched holes in the cabinet.
5. Re-install the front glass.
6. Install the top louvre by using the hooks to hang it in place.

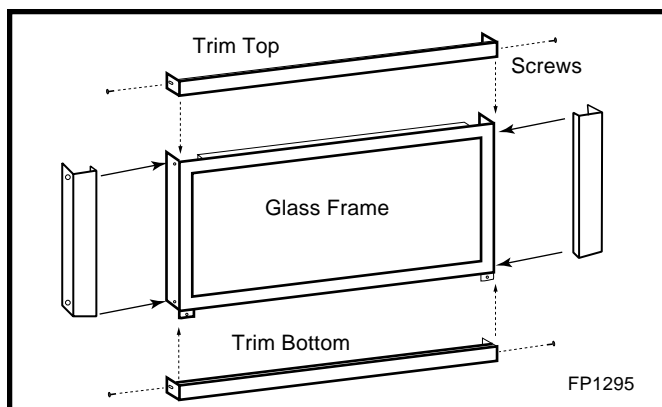


Fig. 45 Install support window trim channel and top and bottom brass trim.

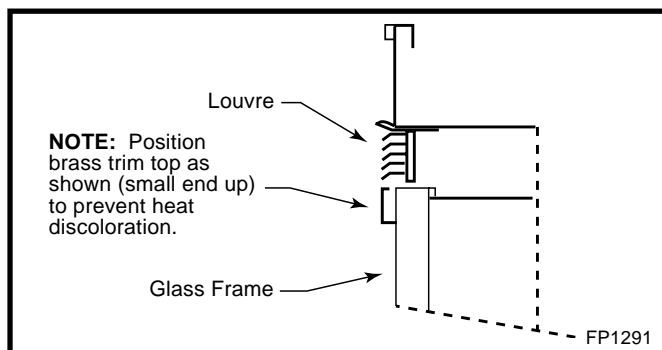


Fig. 46 Position brass trim to with small end up.

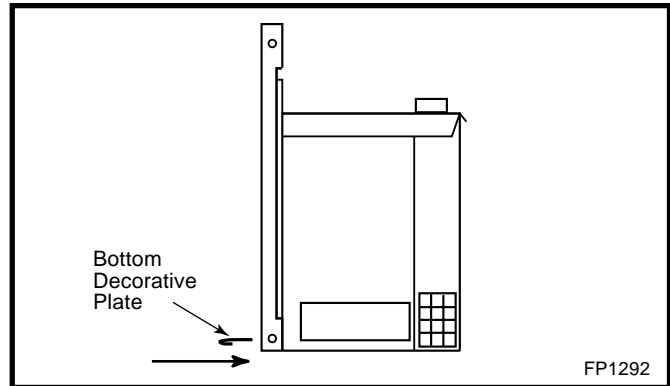
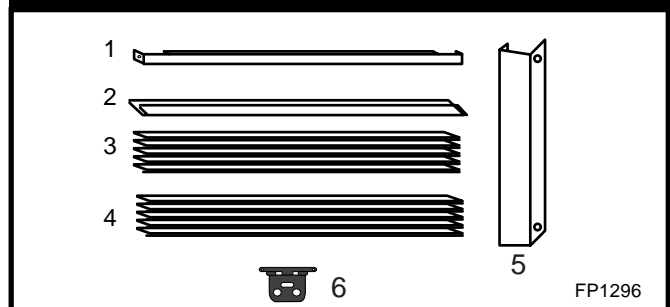


Fig. 47 Slide bottom decorative plate under unit floor.

RHEFA & RHEFP Trim Replacement Parts



Vermont Castings, Majestic Products reserves the right to make changes in design, materials, specifications, prices and discontinue colors and products at any time, without notice.

IMPORTANT: Only trim panel assemblies approved by Vermont Castings, Majestic Products can be used on these products.

ALL repair parts will be available from your local dealer.

When ordering, always give the following information: Model and serial number, part description with finish and part number.

Key	Description	RHEFA	RHEFP
1	Trim Window Top/Bottom	52624-AB	52624-PB
2	Plate Decorative Bottom	17597-AB	17597-PB
3	Top Louvre Assembly	57905	57905
4	Bottom Louvre Assembly	57906	57906
5	Support Window Trim Channel	57909	57909
6	Hinge	52356	52356
7	Fasteners Package (Not Shown)	57916	57916

B4 HEBTKP, HESBTKP, HECBTK, HECBTKMB & HEBTA Trims

For use with RHEDV32

- HECBTK Cast bay window and grilles in classic black trim kit
- HECBKMB Cast bay window and grilles in midnight black porcelain enamel trim kit
- HESBTKP Steel bay window with polished brass and cast grilles in classic black trim kit
- HEBTKP Steel bay window and bay louvres with polished brass trim kit

Install the bay window after all other installation work has been completed, thoroughly checked and tested for operation, leaks and proper installation requirements.



Do not remove existing glass with frame

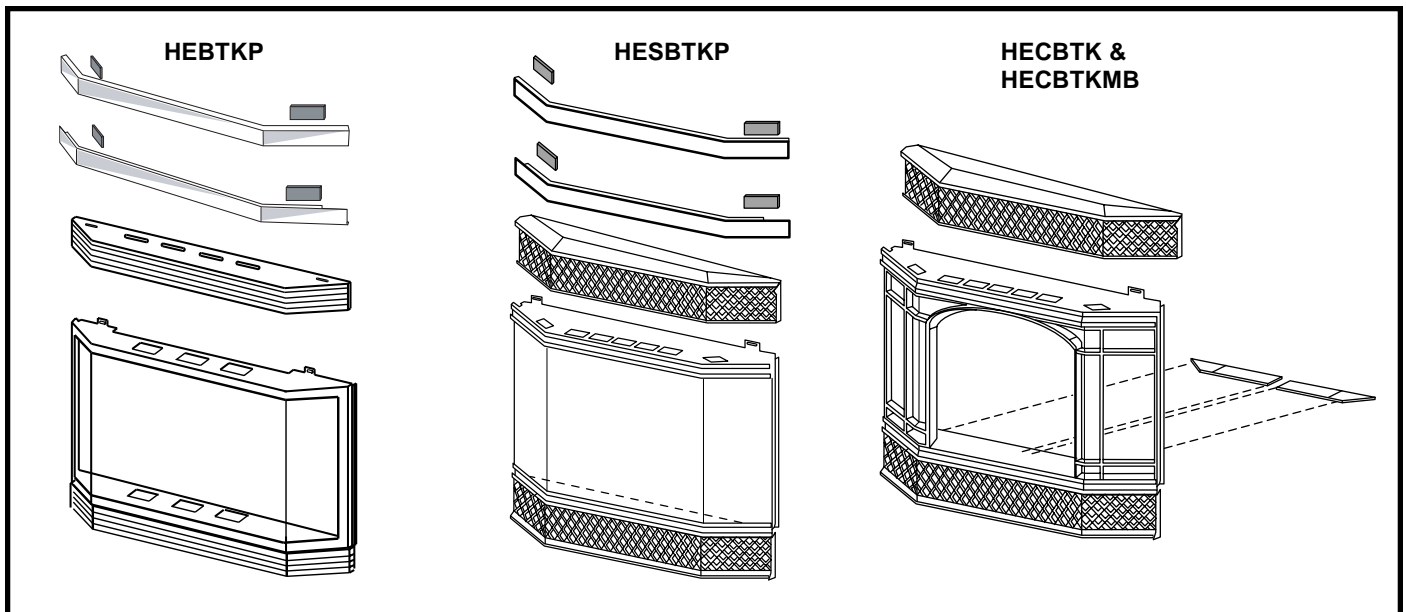


Fig. 48 Optional bay front windows available for use on the RHEDV32.

HECBTKP, HECBTKMB and HESBTKP Trim Assembly

1. Reposition controls.
 - a. Remove the Fan Speed Control Box (Fig. 49)
 - b. Attach the Fan Speed Control Box to the Bracket (Fig. 50) and install the Bracket into the Cabinet.

Only for RN/RP VALVE units:

 - c. Install the Control Knob Extensions onto the appropriate Control Valve Knobs (Fig. 51)



On units fitted with a Honeywell brand control valve the location of the control knobs and the igniter button may vary slightly from those shown in Figure 51. The Honeywell extension pieces are visually different in design and are not interchangeable with the RN/RP knobs shown in Figure 51.

2. Install the hanging brackets. (Fig. 52)
3. Install the two (2) ceramic pieces inside the bay window. (Fig. 48)
4. Install the bay window by hanging it onto the lower tabs of the hanging brackets. (Fig. 53)
5. Install the upper grille by engaging the oblong holes with the upper tabs of the hanging brackets. (Fig. 54)
6. Install brass trim to the steel frame. (Fig. 55) (Only for HESBTKP trim).

HEBTKP Trim Assembly

1. Reposition controls.
 - a. Remove the Fan Speed Control Box (Fig. 49)
 - b. Attach the Fan Speed Control Box to the Bracket (Fig. 50) and install the Bracket into the Cabinet.

Only for RN/RP VALVE units:

 - c. Install the Control Knob Extensions onto the appropriate Control Valve Knobs. (Fig. 51)



On units fitted with a Honeywell brand control valve the location of the control knobs and the ignitor button may vary slightly from those shown in Figure 51. The Honeywell extension pieces are visually different in design and are not interchangeable with the RN/RP knobs shown in Figure 51.

2. Install the hanging brackets. (Fig. 52)
3. Install bracket on each side of the cabinet. (Fig. 56)
4. Install the two ceramic pieces inside the bay window. (Fig. 48)
5. Install the bay window by hanging it onto the lower tabs of the hanging brackets. (Fig. 51)
6. Install top louvre by engaging the oblong holes with the upper tabs of the hanging brackets. (Fig. 54)
7. Install brass trim to the steel frame. (Fig. 55)

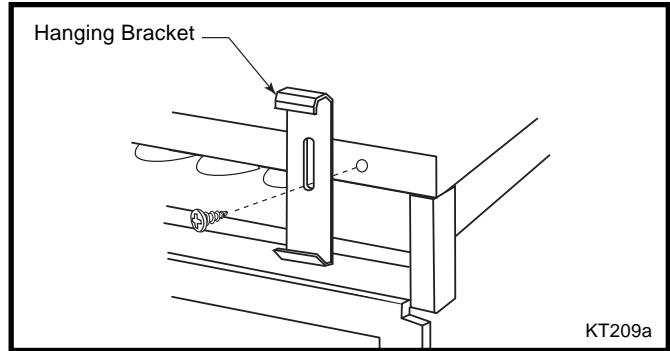


Fig. 52 Hanging bracket alignment.

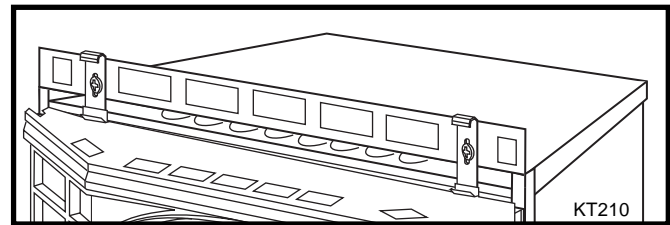


Fig. 53 Hang the window grille or the steel frame onto the lower tabs of the hanging brackets.

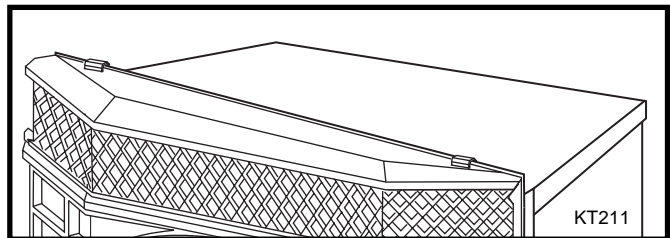


Fig. 54 Engage the slots in the upper grille top louvre with the upper tabs of the hanging bracket.

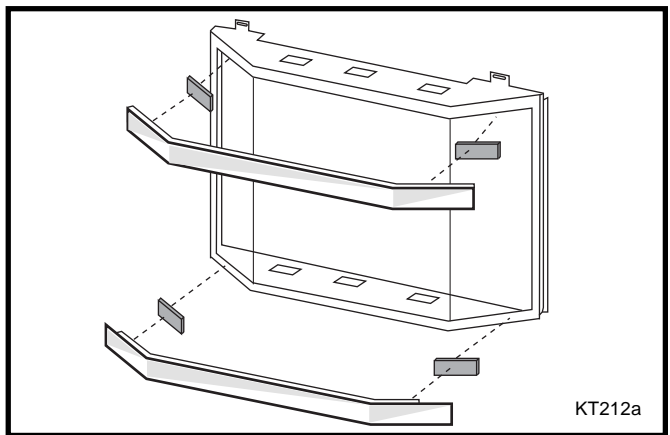


Fig. 55 Attach magnets and brass trim to the steel frame.

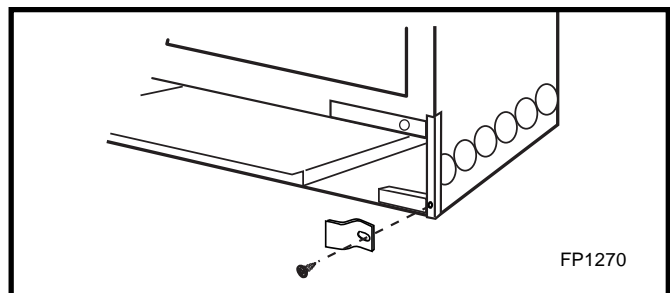


Fig. 56 Bracket for HEBTKP.

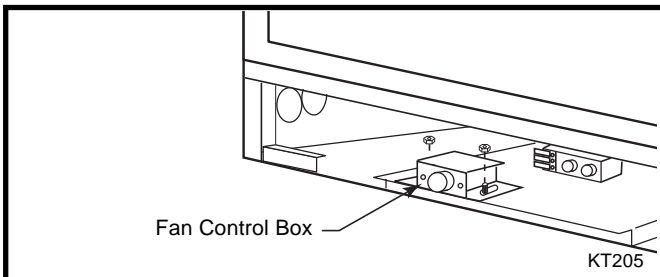


Fig. 49 Remove fan control box.

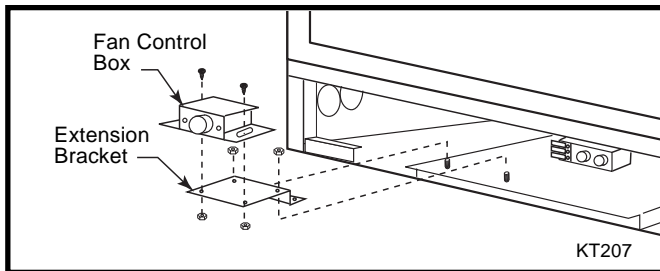


Fig. 50 Attach the control box to the bracket and install bracket into the cabinet.

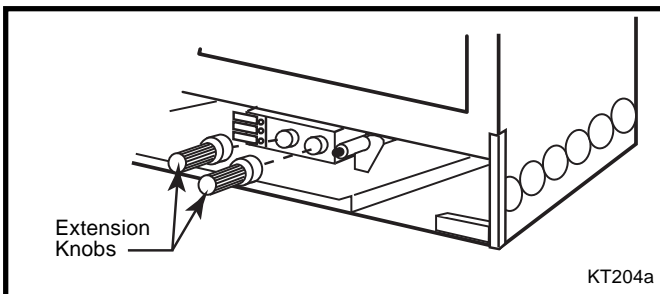
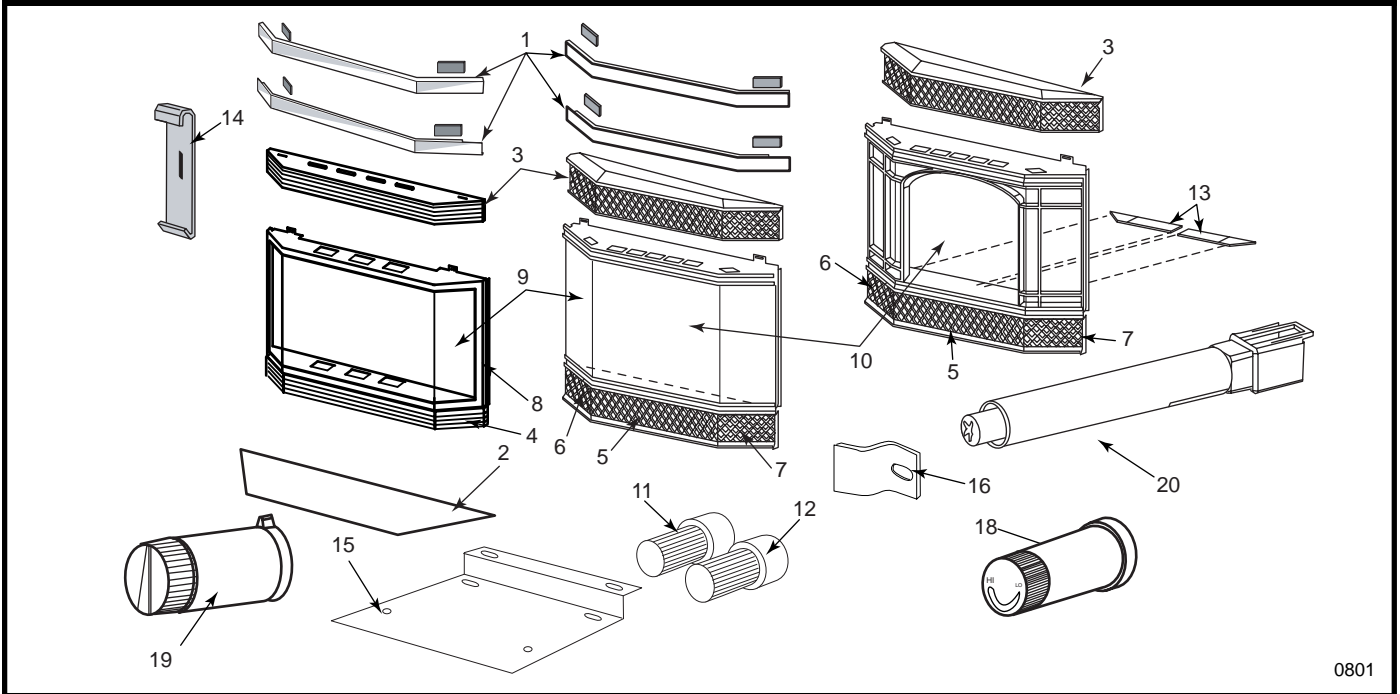


Fig. 51 Install the knob extensions. (RN/RP models Only)

HECBTK, HECBTKMB, HESBTKP, HEBTKP, HEBTA Trim Parts Replacement



0801

Vermont Castings, Majestic Products reserves the right to make changes in design, materials, specifications, prices and discontinue colors and products at any time, without notice.

IMPORTANT: Only Trim Panel Assemblies Approved by Vermont Castings, Majestic Products Can Be Used on These Products.

ALL repair parts will be available from your local dealer.

When ordering, always give the following information: Model and serial number, part description with finish and part number;

Key	Description	HECBTK	HECBTKMB	HESBTKP	HEBTKP	HEBTA
1	Trim Window Top/Bottom w/magnets	-	-	55188-PB	55188-PB	55188-AB
2	Plate Decorative Bottom	-	-	-	52828-PB	52828-AB
3	Top Louvre (Grill) Assembly	1301199	1341199	1301199	57945	-
4	Bottom Louvre (Grill) Assembly	-	-	-	57947	-
5	Control Door	1301200	1341200	1301200	57946	-
6	Bottom Louvre Left	1301219	1341219	1301219	-	-
7	Bottom Louvre Right	1301218	1341218	1301218	-	-
8	Bay Window Frame	1301198	1341198	1409127	1409127	-
9	Glass Side	1601971	1601971	1601971	1601971	-
10	Glass Front	1601957	1601957	1601957	1601957	-
11	Extension Knob ON/OFF (RN/RP)	55163	55163	55163	55163	-
12	Extension Knob Hi/Lo (RN/RP)	55162	55162	55162	55162	-
13	Ceramic Refractory Bay (Set)	57772	57772	57772	57772	-
14	Bracket Hanging Bay Window	1409129	1409129	1409129	1409129	-
15	Bracket Extension Rheostat	1409146	1409146	1409146	1409146	-
16	Bracket Mounting Bay Window	-	-	-	57877	-
17	Hardware Pkg. (Not Shown)	10000108	10000108	10000108	10000108	-
18	Extension Knob Hi/Lo (Honeywell Valve)	20000006	20000006	20000006	20000006	-
19	Extension Knob On/Off (Honeywell Valve)	20000007	20000007	20000007	20000007	-
20	Extension Knob Piezo Ignitor (Honeywell Valve)	20001427	20001427	20001427	20001427	-
21	Hinge	-	-	-	52356	-

B5 Cast Trim Options

Cast Surround and Flat Face

HECBL	Cast Surround Black
HECBLE	Cast Surround Blue
HECCG	Cast Surround Charcoal Grey
HECGR	Cast Surround Green
CSSP	Polished Brass Small Trim for Cast Surround
CSLP	Polished Brass Large Trim for Cast Surround (to be used with CSSP)

B6 Freestanding Kits

Convert Insert Into A Freestanding Stove

- NOTE:** 1. Requires Bay Window Face Kit
 2. Vent starter kit FSHEVSK must be installed to use any of the freestanding shells.

FSNVCSKB	Classic Black Freestanding Cast Shell
FSNVCSKM	Midnight Black Enamel Freestanding Cast Shell
FSNVCSKG	Green Enamel Freestanding Cast Shell

B7 Riser Kits

1. Install the unit according to Homeowner's Manual.
2. Install the trim according to Installation Instructions.
3. Remove the two (2) screws at the bottom of the trim.
4. Install the riser at the bottom of the trim. (Fig. 57)
5. Fasten the trim with the same two (2) screws removed in Step 3.

NOTE: The riser kit should only be used with the RHEBSL & RHEBXL trim.

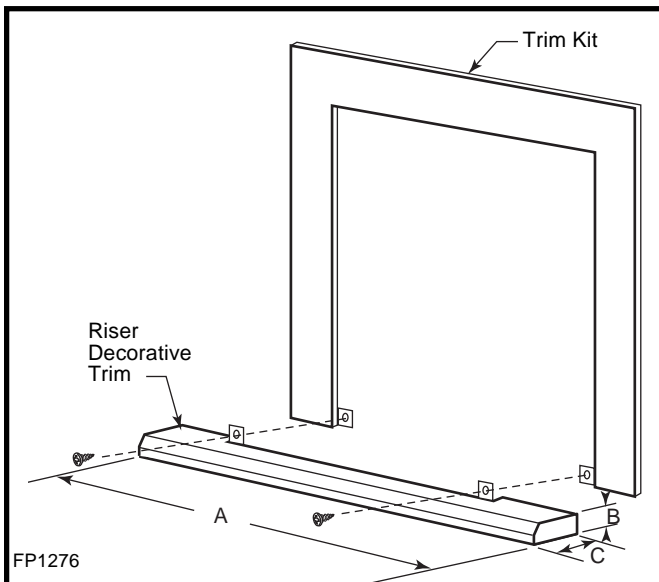


Fig. 57 RHEBSL, RHEBXL trim kit.

Riser Trim Dimensions

	Length A	Height B	Depth C
RHER1-Riser 1"	42" (1067mm)	1" (25.6mm)	2.55" (64.8mm)
RHER2-Riser 2"	42" (1067mm)	2" (50.9mm)	2.58" (65.6mm)
RHER5-Riser 5"	42" (1067mm)	5" (127.9mm)	2.58" (65.6mm)

B8 Arch Door Kits

HEADKA	Antique Brass Arch Door
HEADKP	Polished Brass Arch Door

C Trim Options for RHE42

C1 RHE42SSP and RHE42LP Trims

For use with RHEDV42

RHE42SSP	Small surround, black with thin polished brass edge
RHE42LP	Large polished brass edge (to be used with RHE42SSP)

Trim Assembly

RHE42SSP

1. Install trim channels (left and right sides). Use two (2) screws to assemble each piece.
2. Slide on the trim top channel and fasten it from the back side.
3. Install the trim top deflector. Use two (2) screws to fasten it. (Fig. 58)
4. Remove ALL plastic protective covering from brass trim.

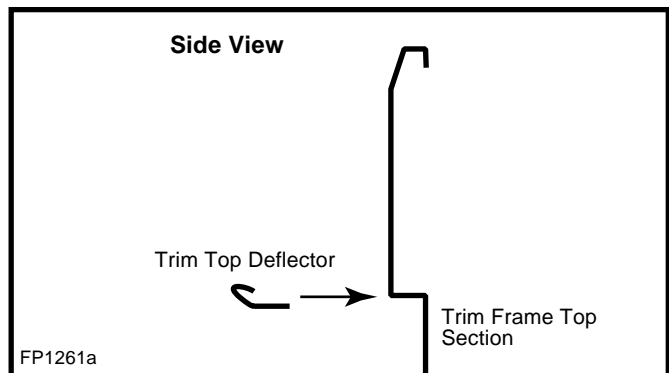


Fig. 58 Trim top deflector.

RHE42LP

To install the kit you do not have to remove any piece of brass, you just add the external pieces.

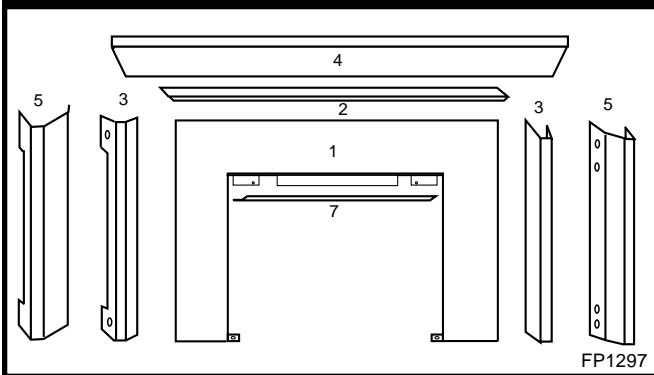
Remove the frame trim from the unit if it is already installed.

1. Install trim channels (left and right sides) by removing the two (2) screws that hold the side brass trim and put them back to hold both parts.
2. Slide on the trim top channel and fasten it from the back side.
3. Remove the two (2) screws that hold the top brass trim.
4. Install the two (2) brackets to the studs in the bottom of the top channel. Use the nuts supplied with the kit.
5. Reinstall the two (2) screws to hold the top trim channel.



A flat louvre kit OR a bay window kit need to be chosen to complete the installation.

RHE42SSP & RHE42LP Replacement Parts



Vermont Castings, Majestic Products reserves the right to make changes in design, materials, specifications, prices and discontinue colors and products at any time, without notice.

IMPORTANT: Only Trim Panel Assemblies Approved by Vermont Castings, Majestic Products Can Be Used on These Products.

ALL repair parts will be available from your local dealer.

When ordering, always give the following information: Model and serial number, part description with finish and part number;

Key	Description	RHE42SSP	RHE42LP ⁽¹⁾
1	Frame Trim Kit (Metallic Black)	10000931	-
2	Trim Top Channel	57508	-
3	Trim Side Channel	57509	-
4	Trim Top Channel	-	57511
5	Trim Side Channel	-	57507
6	Fasteners Package (Not Shown)	54618	-
7	Trim Top Deflector	10000912	-

(1) LP trim to be used with SSP trim.

SSP trim dimensions are for openings smaller than 30³/₄" H x 42⁷/₈" W (781mm x 1089mm)

LP trim dimensions are for openings smaller than 33³/₁₆" H x 48" W (846mm x 1225mm)

C2 RHE42FP Trim

For use with RHEDV42

RHE42FP Flat face louvres with polished window brass trim

Trim Assembly

1. Remove the front glass (Refer to "Glass Frame Removal" section).
2. Install top and bottom brass trim (Fig. 59 & Fig. 60) Use the shortest black screw.
4. Install bottom decorative plate by simply sliding it under the unit. No fastening is required for this installation. (Fig. 61) Be sure to remove the protective plastic cover from the trim.
5. Install the bottom louvre assembly by fastening the hinges with four (4) screws to the pre-punched holes in the cabinet.
6. Re-install the front glass.
7. Install the top louvre assembly by using the hooks to hang it in place.

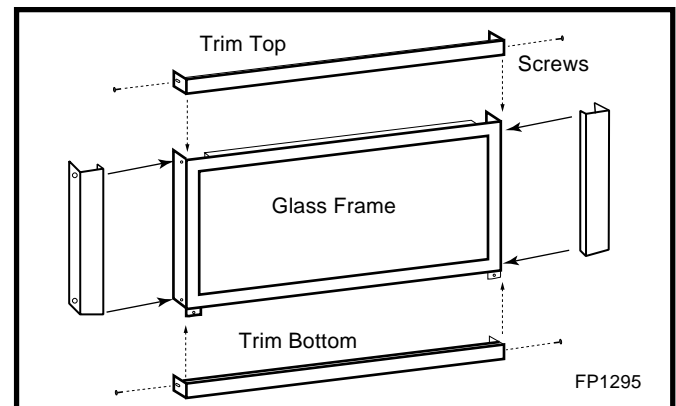


Fig. 59 Install support window trim channel and top and bottom brass trim.

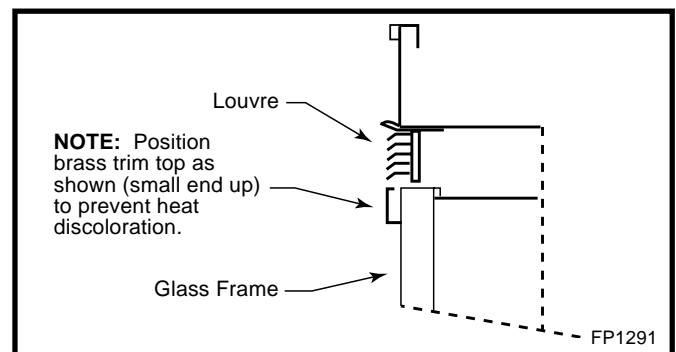


Fig. 60 Position brass trim to with small end up.

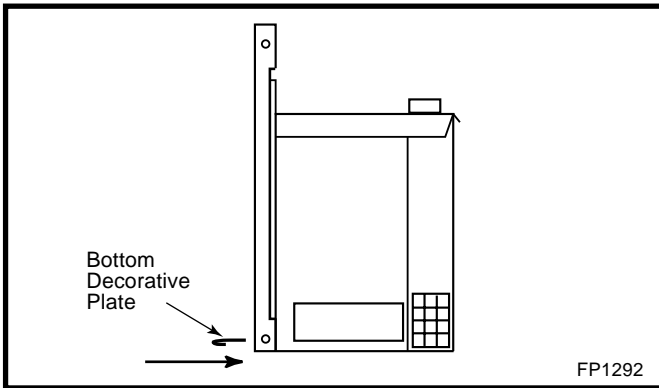
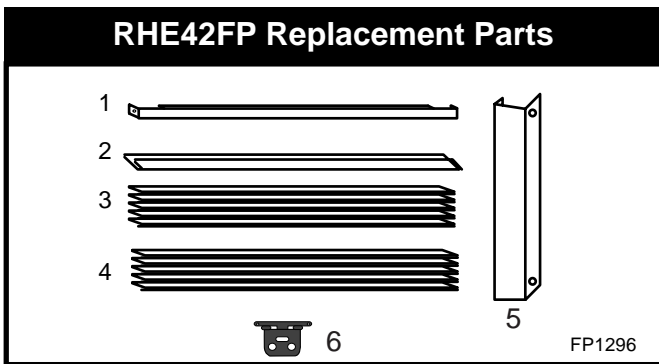


Fig. 61 Slide bottom decorative plate under unit floor.



Vermont Castings, Majestic Products reserves the right to make changes in design, materials, specifications, prices and discontinue colors and products at any time, without notice.

IMPORTANT: Only trim panel assemblies approved by Vermont Castings, Majestic Products can be used on these products.

ALL repair parts will be available from your local dealer. When ordering, always give the following information: Model and serial number, part description with finish and part number.

Key	Description	RHE42FP
1	Trim Window Top/Bottom	10000880
2	Plate Decorative Bottom	10000915
3	Top Louvre Assembly (Metallic Black)	10000929
4	Bottom Louvre Assembly (Metallic Black)	10000930
5	Hinge	52356
6	Hardware Package (Not Shown)	57916

C3 RHE42BTKP

For use with RHEDV42

RHE42BTKP Bay window with polished brass trim



Do not remove existing glass with frame.

Trim Assembly

1. Reposition controls.
 - a. Remove the Fan Speed Control Box. (Fig. 62)
 - b. Attach the Fan Speed Control Box to the Bracket (Fig. 61) and install the Bracket into the Cabinet.

Only for RN/RP VALVE units:

- c. Install the Control Knob Extensions onto the appropriate Control Valve Knobs. (Fig. 64)
- On units fitted with a Honeywell brand control valve the location of the control knobs and the ignitor button may vary slightly from those shown in Figure 64. The Honeywell extension pieces are visually different in design and are not interchangeable with the RN/RP knobs shown in Figure 64.
2. Install the hanging brackets. (Fig. 65)
 3. Install the two (2) ceramic pieces inside the bay window.
 4. Install the bay window by hanging it onto the lower tabs of the hanging brackets. (Fig. 66)
 5. Install top louvre by engaging the oblong holes with the upper tabs of the hanging brackets. (Fig. 67)
 6. Install brass trim to the steel frame. (Fig. 68)

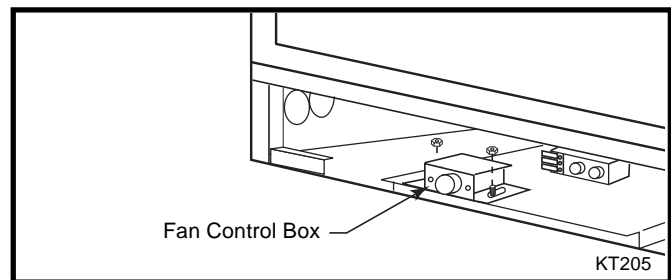


Fig. 62 Remove fan control box.

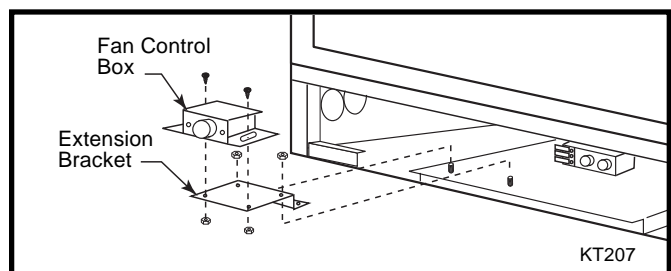


Fig. 63 Attach the control box to the bracket and install bracket into the cabinet.

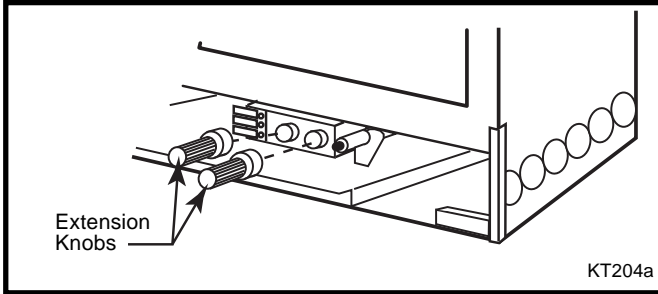


Fig. 64 Install the knob extensions. (RN/RP models Only)

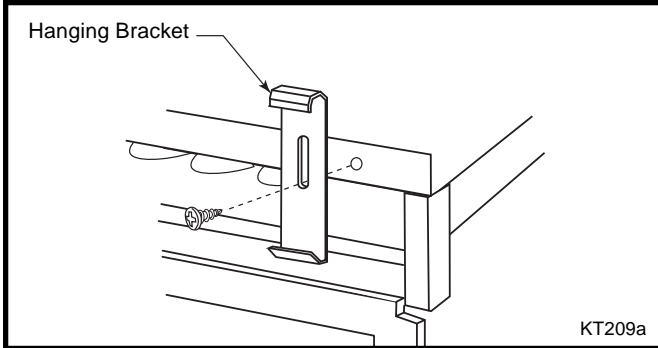


Fig. 65 Hanging bracket alignment.

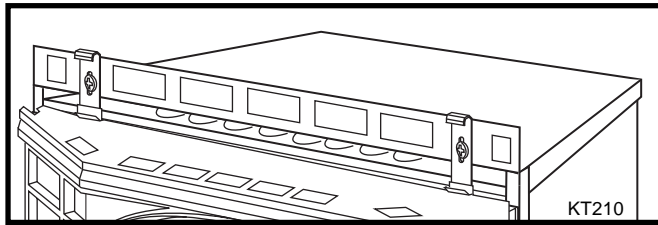


Fig. 66 Hang the window grille or the steel frame onto the lower tabs of the hanging brackets.

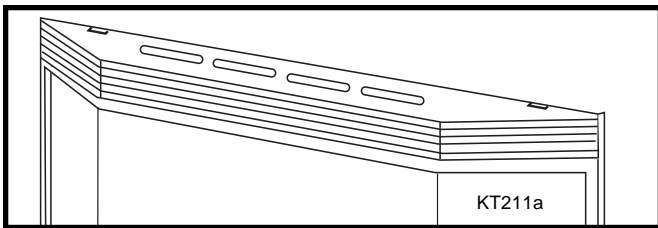


Fig. 67 Engage the slots in the upper grille top louvre with the upper tabs of the hanging brackets.

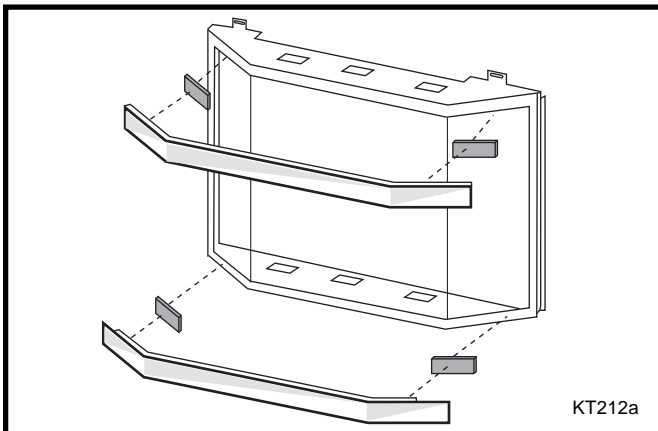
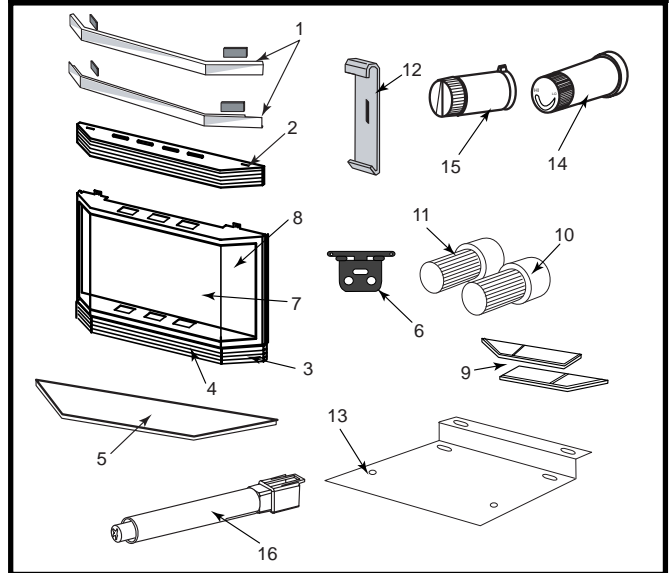


Fig. 68 Attach magnets and brass trim to the steel frame.

HE42BTKP Trim Replacement Parts



Vermont Castings, Majestic Products reserves the right to make changes in design, materials, specifications, prices and discontinue colors and products at any time, without notice.

IMPORTANT: Only trim panel assemblies approved by Vermont Castings, Majestic Products can be used on these products.

ALL repair parts will be available from your local dealer. When ordering, always give the following information: Model and serial number, part description with finish and part number.

Key	Description	HE42BTKP
1	Trim Window Top & Bottom (w/magnets)	57576
2	Top Louvre Assembly (Metallic Black)	10000932
3	Bottom Louvre Assembly (Metallic Black)	10000933
4	Control Door (Metallic Black)	10000934
5	Plate Decorative Bottom	57551
6	Hinge	52356
7	Glass Side	57405
8	Glass Front	57406
9	Ceramic Refractory Bay	10000854
10	Extension Knob On/Off (only for RN/RP valves)	55163
11	Extension Knob Hi/Lo (only for RN/RP valves)	55162
12	Bracket Hanging Bay Window	1409129
13	Bracket Extension Rheostat	1409146
14	Extension Knob Hi/Lo (Honeywell Valve)	20000006
15	Extension Knob On/Off (Honeywell Valve)	20000007
16	Extension Knob Piezo Ignitor (Honeywell Valve)	20001427
17	Hardware Package (Not Shown)	10000928

LIMITED LIFETIME WARRANTY

PRODUCT COVERED BY THIS WARRANTY

All Vermont Castings gas stoves, gas inserts, and gas fireplaces, and all Majestic or Northern Flame brand gas fireplaces equipped with an Insta-Flame Ceramic Burner, or standard steel tube burner.

BASIC WARRANTY

The Vermont Castings, Majestic Products Company (hereinafter referred to collectively as the Company) warrants that your new Vermont Castings or Majestic Gas Fireplace/Stove is free from manufacturing and material defects for a period of one year from the date of purchase, subject to the following conditions and limitations.

EXTENDED LIFETIME WARRANTY

The heat exchanger, where applicable, and combustion chamber of every Vermont Castings or Majestic gas product is warranted for life against through wall perforation. All appliances equipped with an Insta-Flame Ceramic Burner have limited lifetime coverage on the ceramic burner plaque. Warrantees are made to the original owner subject to proof of purchase and the conditions and limitations listed on this Warranty Document

COMPONENT WARRANTY

CAST IRON: All external and internal cast iron parts are warranted for a period of three years.

Note: On porcelain enamel finished external parts and accessories The Company offers no Warranty on chipping of enamel surfaces. Inspect all product prior to accepting it for any damage to the enamel.

The salt air environment of coastal areas or a high humidity environment can be corrosive to the porcelain enamel finish. These conditions can cause rusting of the cast iron beneath the porcelain enamel finish, which will cause the finish to flake off.

Dye lot variations with replacement parts and/or accessories can occur and are not covered by warranty.

GLASS DOORS: Glass doors are covered for a period of one year. Glass doors are not warranted for breakage due to misuse or accident. Glass doors are not covered for discoloration or burned in stains due to environmental issues, or improper cleaning and maintenance.

BRASS PLATED PARTS AND ACCESSORIES: Brass parts should be cleaned with Lemon oil only. Brass cleaners cannot be used. Mortar mix and masonry cleaners may corrode the brass finish. The Company will not be responsible for, nor will it warrant any brass parts which are damaged by external chemicals or down draft conditions.

GAS VALVES: Gas valves are covered for a period of one year

ELECTRONIC AND MECHANICAL COMPONENTS: Electronic and mechanical components of the burner assembly are covered for one year. All steel tube burners are warranted for one year.

ACCESSORIES: Unless otherwise noted all components and Vermont Castings, Majestic Products company supplied accessories are covered for a period of one year.

CONDITIONS AND LIMITATIONS

- This new Vermont Castings or Majestic product must be installed by a competent, authorized, service contractor. A licensed technician, as prescribed by the local jurisdiction must perform any installation/service work. It must be installed and operated at all times in accordance with the Installation and Operating instructions furnished with the product. Any alteration, willful abuse, accident, or misuse of the product shall nullify this warranty.
- This warranty is non-transferable, and is made to the original owner, provided that the purchase was made through an authorized supplier of the Company.
- The customer must pay for any Authorized Dealer in-home travel fees or service charges for in-home repair work. It is the dealers option whether the repair work will be done in the customer's home or in the dealer's shop.
- If upon inspection, the damage is found to be the fault of the manufacturer, repairs will be authorized at no charge to the customer parts and/or labor.

- Any part and/or component replaced under the provisions of this warranty is covered for six months or the remainder of the original warranty, whichever is longest.
- This warranty is limited to the repair of or replacement of part(s) found to be defective in material or workmanship, provided that such part(s) have been subjected to normal conditions of use and service, after said defect is confirmed by the Company's inspection.
- The company may, at its discretion, fully discharge all obligations with respect to this warranty by refunding the wholesale price of the defective part(s)
- Any installation, labor, construction, transportation, or other related costs/expenses arising from defective part(s), repair, replacement, or otherwise of same, will not be covered by this warranty, nor shall the Company assume responsibility for same. Further, the Company will not be responsible for any incidental, indirect, or consequential damages except as provided by law.
- *SOME STATES DO NOT ALLOW FOR THE EXCLUSION OR LIMITATIONS OF INCIDENTAL AND CONSEQUENTIAL DAMAGES OR LIMITATIONS ON HOW LONG AN IMPLIED WARRANTY LASTS, SO THE ABOVE LIMITATIONS MAY NOT APPLY TO YOUR CIRCUMSTANCES. THIS WARRANTY GIVES YOU SPECIFIC RIGHTS AND YOU MAY HAVE OTHER RIGHTS WHICH VARY FROM STATE TO STATE.*
- All other warranties-expressed or implied- with respect to the product, its components and accessories, or any obligations/liabilities on the part of the Company are hereby expressly excluded.
- The Company neither assumes, nor authorizes any third party to assume on its behalf, any other liabilities with respect to the sale of this Vermont Castings, Majestic product
- The warranties as outlined within this document do not apply to chimney components or other non Vermont Castings, Majestic accessories used in conjunction with the installation of this product..
- Damage to the unit while in transit is not covered by this warranty but is subject to claim against the common carrier. Contact the dealer from whom you purchased your fireplace/stove (do not operate the appliance as this might negate the ability to process the claim with the carrier).
- The Company will not be responsible for:
 - a) Down drafts or spillage caused by environmental conditions such as near-by trees, buildings, roof tops, hills, or mountains.
 - b) Inadequate ventilation or negative air pressure caused by mechanical systems such as furnaces, fans, clothes dryers, etc.
- This warranty is void if:
 - a) The fireplace has been operated in atmospheres contaminated by chlorine, fluorine, or other damaging chemicals.
 - b) The fireplace has been subjected to prolonged periods of dampness or condensation
 - c) Any damages to the fireplace, combustion chamber, heat exchanger or other components due to water, or weather damage, which is the result of but not limited to, improper chimney/venting installation.
 - d) Any alteration, willful abuse, accident, or misuse of the product has occurred.

IF WARRANTY SERVICE IS NEEDED...

- 1) Contact your supplier. Make sure you have your warranty, your sales receipt, and the model/serial number of your Vermont Castings, Majestic product.
- 2) DO NOT ATTEMPT TO DO ANY SERVICE WORK YOURSELF.

Free Manuals Download Website

<http://myh66.com>

<http://usermanuals.us>

<http://www.somanuals.com>

<http://www.4manuals.cc>

<http://www.manual-lib.com>

<http://www.404manual.com>

<http://www.luxmanual.com>

<http://aubethermostatmanual.com>

Golf course search by state

<http://golfingnear.com>

Email search by domain

<http://emailbydomain.com>

Auto manuals search

<http://auto.somanuals.com>

TV manuals search

<http://tv.somanuals.com>