

SERVICE MANUAL - CAFE POUROVER SETUP STEPS

MODELS INCLUDED

- CAFE 1DB
- CAFE 2DB
- CAFE 3DB
- CAFE AP
- CAFE 2DBS
- CAFE OPP



CAUTION: Please use this setup procedure before attempting to use this brewer. Failure to follow the instructions can result in injury or the voiding of the warranty.



WARNING: To avoid scalding, allow brewcone to drain before removing.



CAUTION - This brewer is shipped with the thermostat turned ON. **DO NOT** plug in the power cord until the heating tank has filled with water (see step 4, below); damage to the heating element or thermostat will result.

1. Placement of brewer should be on a solid, level counter top, near a 120 VAC outlet rated at 20 amps.
2. Place an empty glass decanter on the warmer deck, under the sprayhead.
3. Insert an empty brewcone into the brew rails unit (fig. 1.).
4. Pour water into the pour hole on top of brewer. When water starts to come from the brewcone, the tank is full. Stop pouring.
5. Plug power cord into a 120V electrical outlet (reference ladder diagrams on page 3).
6. Allow the brewer to heat up to it's full temperature, indicated by Ready to Brew light.

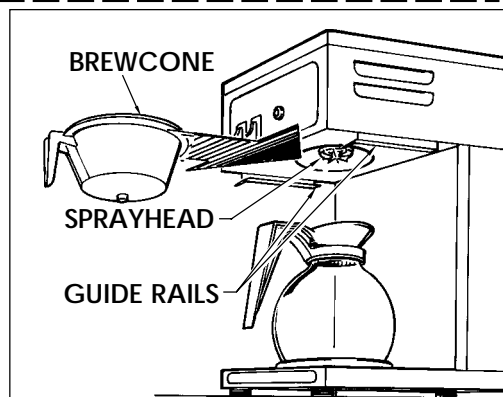


Figure 1. Sprayhead and brewcone rails.

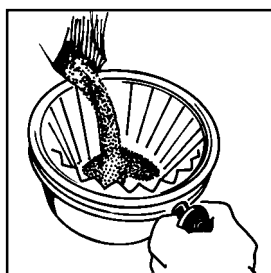


Figure 2. Pour ground coffee into filter.

This takes about 15 to 25 minutes the first time the coffee brewer is plugged in. Slight dripping from the brewcone is normal as the tank heats up. The unit is ready for brewing.

BREWING INSTRUCTIONS

1. Pour ground coffee evenly into filter and insert into brewer.
2. Slide brew cone into guide rails (fig. 1.). Place clean decanter on warmer plate (use airpot when brewing with Café AP).
3. Take another decanter and pour water into the hole on the top cover (fig. 3.). Brewing will take about three minutes.
4. Switch on the warmer plates to keep the coffee at serving temperature.



NOTE: You should have at least two decanters for brewing coffee. One for pouring water, the other to brew coffee into. Airpot brewers will require a pitcher that holds 74 ounces (see figure 3).



NOTE: Due to evaporation, water may be lost from the tank if brewer is left on for long periods of time without making coffee. When this occurs, pour in enough water to refill the heating tank before brewing.

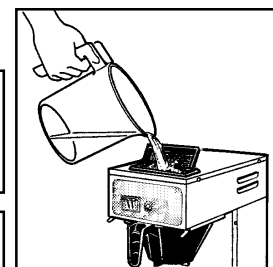


Figure 3. Pour cold water into pour hole.

This appliance is designed for commercial use. Any servicing other than cleaning and maintenance should be performed by an authorized Wilbur Curtis service center.

- Do NOT immerse the unit in water or any other liquid
- To reduce the risk of fire or electric shock, do NOT open top panel. No user serviceable parts inside. Repair should be done only by authorized service personnel.
- Keep hands and other items away from hot parts of unit during operation.
- Never clean with scouring powders or harsh implements.

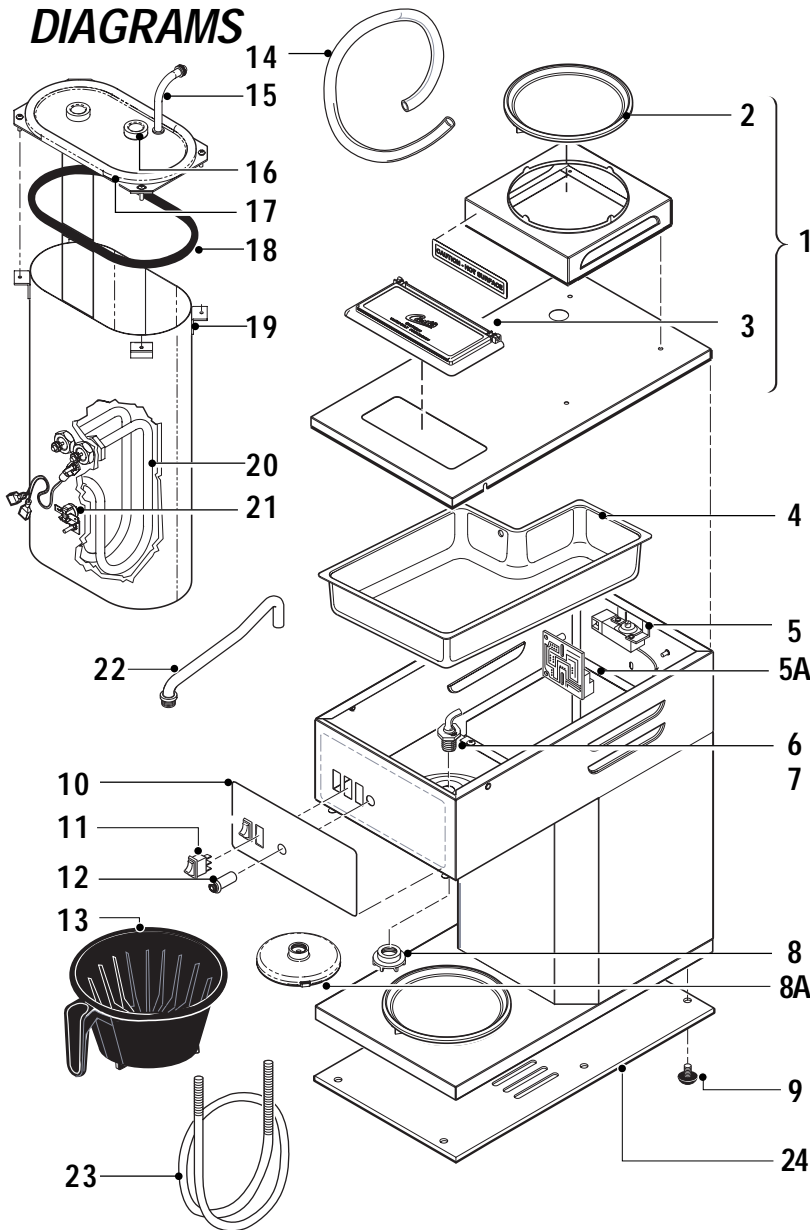
NSF



ISO 9001 REGISTERED

WILBUR CURTIS COMPANY
Montebello, CA 90640

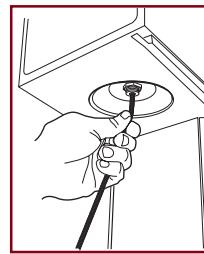
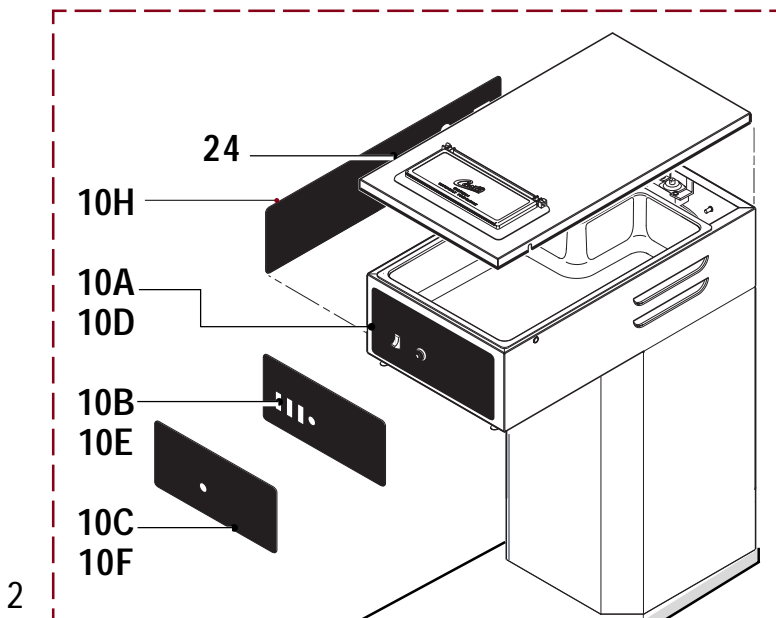
PARTS DIAGRAMS



Item N°	Part N°	Description
1	WC-68101	TOP WARMER ASSY, 120V (CAFÉ 2DB)
1A	WC-68103	TOP WARMER ASSY, 220V (CAFÉ 2DB)
2	WC-37135	WARMER ASSY 100W 120V w/PLATE
2B	WC- 975	WARMER ASSY, COMPLETE 100W 220V
3**	WC-54118	TRAY ASSY POUROVER
4**	WC-54121	PAN, POUR CAFE'
5**	WC- 517 *	THERMOSTAT
5A	WC- 735	THERMOSTAT, TEMP CONTROL 120V
6	WC-2962*	FITTING, SPRAYHEAD
7	WC-4213	NUT, 5/8-18 JAM BRASS
8**	WC-2958*	SPRAYHEAD, BROWN
8A**	WC-29025	SPRAYHEAD, PURPLE ASF
9	WC-3502	LEG, SCREW BUMPER
10	WC-38099*	LABEL, SW PANEL CAFÉ 2DB
10A	WC-38113*	LABEL, SW PANEL CAFÉ 1DB
10B	WC-38114*	LABEL, SW PANEL CAFÉ 3DB
10C	WC-38127*	LABEL, SW PANEL CAFÉ AP
10D	WC-39373	LABEL, SW PANEL CAFÉ 2DB (ON/OFF SW)
10E	WC-39372	LABEL, SW PANEL CAFÉ 1DB (ON/OFF SW)
10F	WC-39374	LABEL, SW PANEL CAFÉ 3DB (ON/OFF SW)
10G	WC-39371	LABEL, SW PANEL CAFÉ AP (ON/OFF SW)
10H	WC-38413	LABEL, SW PANEL CAFE 2DBS
11**	WC- 165	SWITCH, WARMER RED 115V
11A	WC- 137	SWITCH, WARMER RED 220V
12	WC- 207	LIGHT, BREW 115V GREEN
12A	WC- 208	LIGHT, BREW 250V GREEN
13	WC-3621	CONE, UNIV BREW 7.1" BLK PLASTIC
14**	WC-5310	TUBE, 5/16 ID X 1/8 W SILICONE
15	WC-29042	HOSE, VENTILATION HEATING TANK
16	WC-2627	GROMMET, COVER HEATING TANK
17	WC-54125*	COVER, TOP HEATING TANK
17A	WC-54125-101	COVER, TOP HEATING TANK
18	WC-43062	GASKET, TANK LID
19	WC-54117	TANK, COMPLETE 1450W 120V
19A	WC-54145	TANK, COMPLETE 3500W 240V
20	WC- 935*	ELEMENT, HEATING 1.45kW 120V
20A	WC- 917-04	ELMNT, HEAT1.45kw 120V W/NTS & WSHRS
20B	WC- 936*	ELEMENT, HEATING 3.5KW 240VAC
20C	WC- 922-04	ELEMENT, HEATING 3.5KW 220V
21**	WC- 523*	THERMOSTAT, MANUAL RESET
21A	WC- 521	THERMOSTAT, AUTO RESET
22**	WC-29054	TUBE, CAFÉ SPRAYHEAD/SYPHON
23	WC-3645	SPRING, DELIMING CAFE SERIES
24	WC-73106	COVER, BOTTOM
25	WC-68102	COVER ASSY, TOP (CAFÉ 1DB, 3DB, AP)

* Component Used on Older Units

** Suggested Parts to Stock



DELIMING SPRING This spring is for cleaning lime deposits from within the siphon tube. Remove the sprayhead. Insert spring into the siphon tube. Twist the spring clockwise as you push inward. Once past the bend in the tubing, you can slide it back and forth to remove hard lime deposits.



NOTE: Items, called out in this illustration, are specific to Cafe 1DB, Cafe 3DB & Café AP. All other parts are common.

ELECTRICAL LADDER DIAGRAMS

Brewer Model Café 1DB, 2DB, 2DBS, 3DB & AP (All 120VAC Units)

Brewer Model Café 1DB, 2DB, 3DB & AP (All 208-240VAC Units)

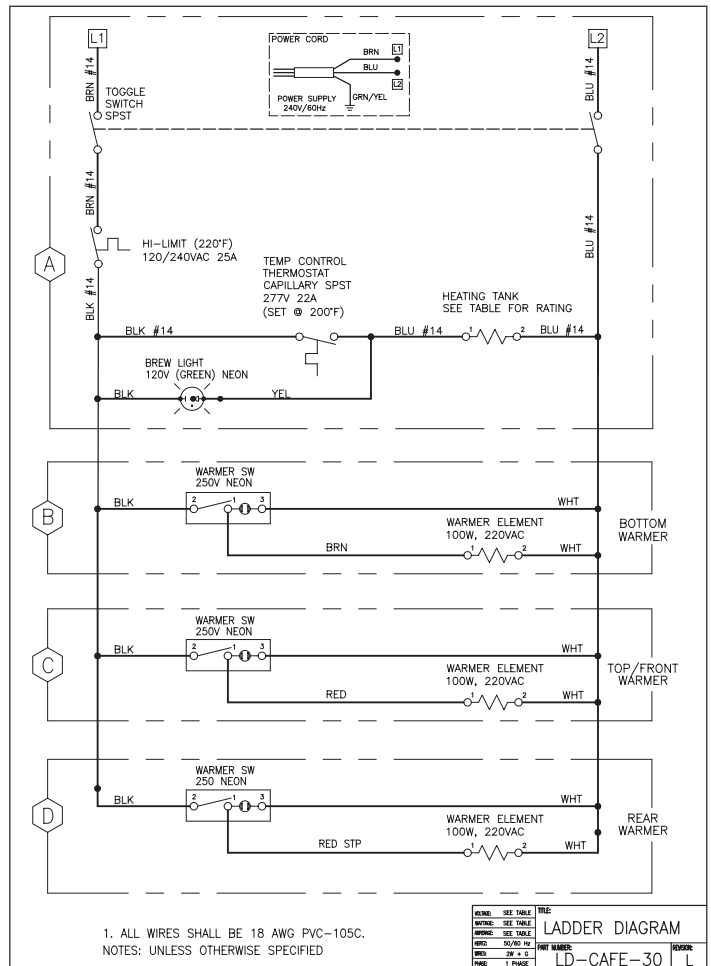
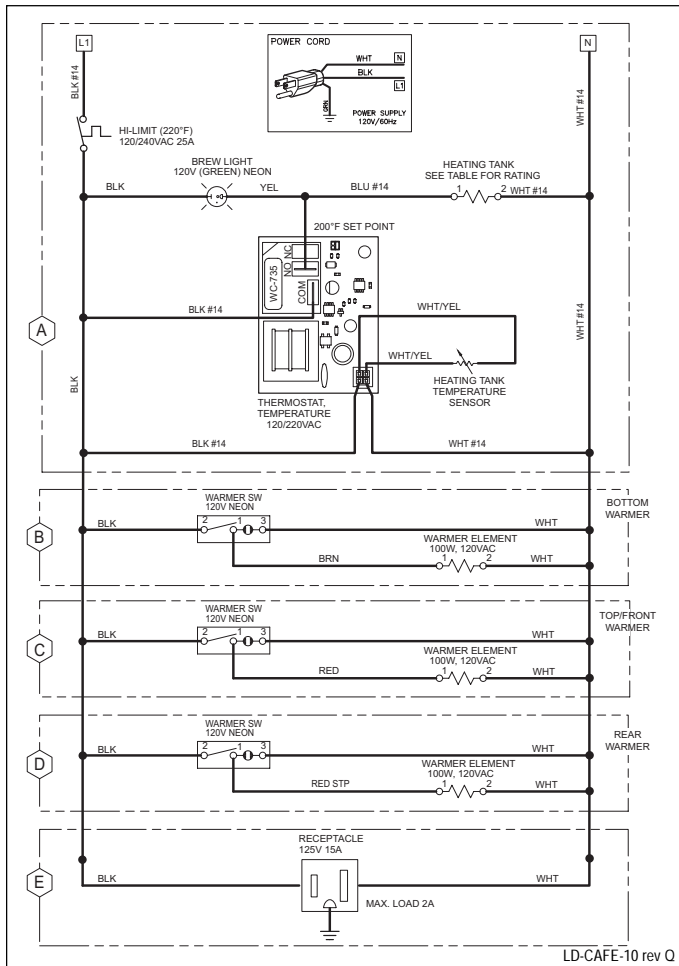


Table 1. MODEL & ELECTRICAL (All 120VAC Units)

MODEL	HEATING ELEMENT	CIRCUIT	VOLTS	WATTS	AMPS	HERTZ	WIRE	PHASE
CAFE0AP10	WC-917	A	120VAC	1450W	12.1A	50/60HZ	2W + G	1-PHASE
CAFE1DB10	WC- 917	A + B	120VAC	1550W	12.9A	50/60HZ	2W + G	1-PHASE
CAFE2DB10	WC- 917	A + B + C	120VAC	1650W	13.8A	50/60HZ	2W + G	1-PHASE
CAFE2DBS10	WC- 917	A + B + C + E	120VAC	1650W	13.8A	50/60HZ	2W + G	1-PHASE
CAFE3DB10	WC- 917	A + B + C + D	120VAC	1750W	14.6A	50/60HZ	2W + G	1-PHASE
CAFE0PP10	WC- 917	A	120VAC	1450W	12.1A	50/60HZ	2W + G	1-PHASE
CAFE1DB20	WC- 933	A + B	120VAC	1250W	10.4A	50/60HZ	2W + G	1-PHASE
CAFE2DB20	WC- 933	A + B + C	120VAC	1350W	11.3A	50/60HZ	2W + G	1-PHASE
CAFE3DB20	WC- 933	A + B + C + D	120VAC	1450W	12.1A	50/60HZ	2W + G	1-PHASE

Table 2. MODEL & ELECTRICAL (All 208-240VAC Units) "Export Only"

MODEL AND ELECTRICAL TABLE					
MODEL	HEATING ELEMENT	CIRCUIT	VOLTS	WATTS	AMPS
CAFE0AP30	WC-922	A	208 - 240VAC	2629 - 3500W	12.6 - 14.6A
CAFE1DB30	WC-922	A + B	208 - 240VAC	2704 - 3600W	13.0 - 15.0A
CAFE2DB30	WC-922	A + B + C	208 - 240VAC	2779 - 3700W	13.4 - 15.4A
CAFE3DB30	WC-922	A + B + C + D	208 - 240VAC	2854 - 3800W	13.7 - 15.8A

Product Warranty Information

The Wilbur Curtis Company certifies that its products are free from defects in material and workmanship under normal use. The following limited warranties and conditions apply:

- 3 Years, Parts and Labor, from Original Date of Purchase on digital control boards.
- 2 Years, Parts, from Original Date of Purchase on all other electrical components, fittings and tubing.
- 1 Year, Labor, from Original Date of Purchase on all electrical components, fittings and tubing.

Additionally, the Wilbur Curtis Company warrants its Grinding Burrs for Forty (40) months from date of purchase or 40,000 pounds of coffee, whichever comes first. Stainless Steel components are warranted for two (2) years from date of purchase against leaking or pitting and replacement parts are warranted for ninety (90) days from date of purchase or for the remainder of the limited warranty period of the equipment in which the component is installed.

All in-warranty service calls must have prior authorization. For Authorization, call the Technical Support Department at 1-800-995-0417. Effective date of this policy is April 1, 2003.

Additional conditions may apply. Go to www.wilburcurtis.com to view the full product warranty information.

CONDITIONS & EXCEPTIONS

The warranty covers original equipment at time of purchase only. The Wilbur Curtis Company, Inc., assumes no responsibility for substitute replacement parts installed on Curtis equipment that have not been purchased from the Wilbur Curtis Company, Inc. The Wilbur Curtis Company will not accept any responsibility if the following conditions are not met. The warranty does not cover and is void under the following circumstances:

- 1) **Improper operation of equipment:** *The equipment must be used for its designed and intended purpose and function.*
- 2) **Improper installation of equipment:** *This equipment must be installed by a professional technician and must comply with all local electrical, mechanical and plumbing codes.*
- 3) **Improper voltage:** *Equipment must be installed at the voltage stated on the serial plate supplied with this equipment.*
- 4) **Improper water supply:** *This includes, but is not limited to, excessive or low water pressure, and inadequate or fluctuating water flow rate.*
- 5) **Adjustments and cleaning:** *The resetting of safety thermostats and circuit breakers, programming and temperature adjustments are the responsibility of the equipment owner. The owner is responsible for proper cleaning and regular maintenance of this equipment.*
- 6) **Damaged in transit:** *Equipment damaged in transit is the responsibility of the freight company and a claim should be made with the carrier.*
- 7) **Abuse or neglect (including failure to periodically clean or remove lime accumulations):** *Manufacturer is not responsible for variation in equipment operation due to excessive lime or local water conditions. The equipment must be maintained according to the manufacturer's recommendations.*
- 8) **Replacement of items subject to normal use and wear:** *This shall include, but is not limited to, light bulbs, shear disks, "O" rings, gaskets, silicone tube, canister assemblies, whipper chambers and plates, mixing bowls, agitation assemblies and whipper propellers.*
- 9) **Repairs and/or Replacements** *are subject to our decision that the workmanship or parts were faulty and the defects showed up under normal use. All labor shall be performed during regular working hours. Overtime charges are the responsibility of the owner. Charges incurred by delays, waiting time, or operating restrictions that hinder the service technician's ability to perform service is the responsibility of the owner of the equipment. This includes institutional and correctional facilities. The Wilbur Curtis Company will allow up to 100 miles, round trip, per in-warranty service call.*

RETURN MERCHANDISE AUTHORIZATION: *All claims under this warranty must be submitted to the Wilbur Curtis Company Technical Support Department prior to performing any repair work or return of this equipment to the factory. All returned equipment must be repackaged properly in the original carton. No units will be accepted if they are damaged in transit due to improper packaging. **NO UNITS OR PARTS WILL BE ACCEPTED WITHOUT A RETURN MERCHANDISE AUTHORIZATION (RMA). RMA NUMBER MUST BE MARKED ON THE CARTON OR SHIPPING LABEL.** All in-warranty service calls must be performed by an authorized service agent. Call the Wilbur Curtis Technical Support Department to find an agent near you.*



WILBUR CURTIS CO., INC.

6913 Acco St., Montebello, CA 90640-5403 USA

Phone: 800/421-6150 ♦ Fax: 323-837-2410

♦ Technical Support Phone: 800/995-0417 (M-F 5:30A - 4:00P PST) ♦ E-Mail: techsupport@wilburcurtis.com

♦ Web Site: www.wilburcurtis.com

FOR THE LATEST SPECIFICATIONS AND INFORMATION GO TO WWW.WILBURCURTIS.COM

Free Manuals Download Website

<http://myh66.com>

<http://usermanuals.us>

<http://www.somanuals.com>

<http://www.4manuals.cc>

<http://www.manual-lib.com>

<http://www.404manual.com>

<http://www.luxmanual.com>

<http://aubethermostatmanual.com>

Golf course search by state

<http://golfingnear.com>

Email search by domain

<http://emailbydomain.com>

Auto manuals search

<http://auto.somanuals.com>

TV manuals search

<http://tv.somanuals.com>