



DIGITAL HOT WATER DISPENSER

MODEL: WB5GT



WB5GT
5 Gallon Capacity



Large LED Display - 140°F - 210°F

ITEM NO _____

PROJECT _____

DATE _____

FEATURES AT A GLANCE

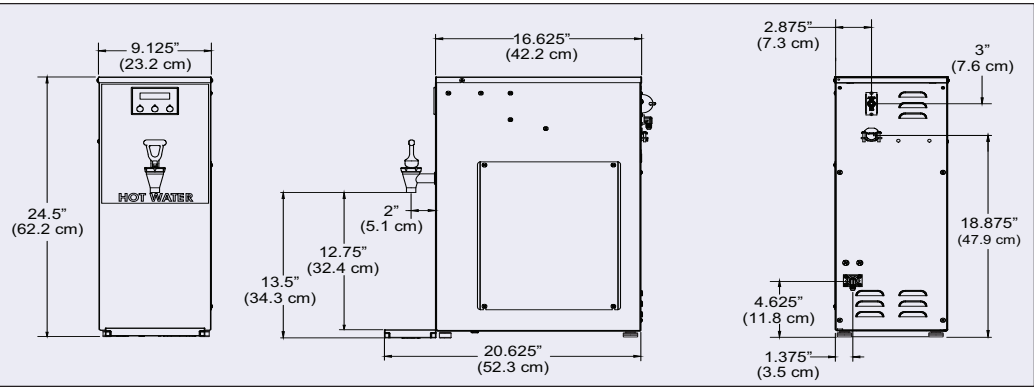
- **G3 Digital Control Module** - Provides precise control of temperature and aeration.
- **Agitation Pump** - Continuous or on demand aeration improves tea extraction and food flavor.
- **Large LED Display** - Easy to read, displays constant water dispense temperature.
- **Easy-To-Operate** - Simple graphic design with color coded buttons for all operating functions and ready lights.
- **Automatic Refill System**
- **Thermostatic Controls** - Programmable temperature range of 140°F to 210°F.
- **On Board Diagnostics** - Continually senses water level & temperature for proper operation.
- **Common Parts and Side Access** - Creates an easy to service unit.
- **Standard 120/220VAC Dual Voltage Operation.**

The Curtis G3 Water Boiler – Perfect for tea, soup, freeze-dried products, cleaning jobs and more!

With the latest in digital technology, these water boilers offer precise control over all critical functions. Curtis' digital Water Boilers deliver large volumes of piping hot water right at the preparation site. They are constructed of heavy gauge stainless steel and feature thermostatic controls and solid-state automatic refill systems.



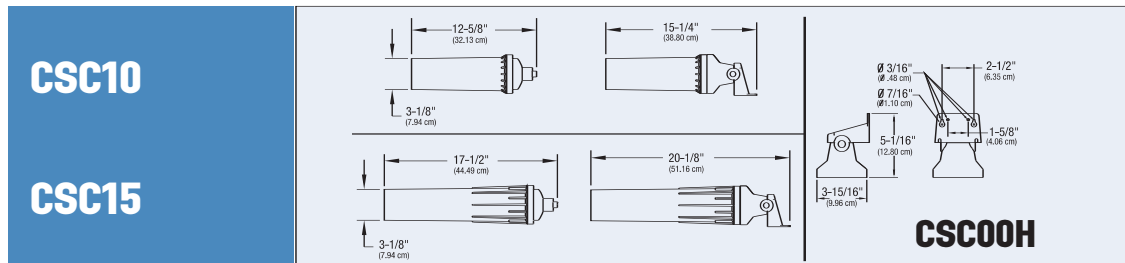
WB-5GT



Specifications	Tank Capacity	Volume	Voltage	Power Requirements	Cord & Plug	Water Inlet	Dimensions (HxWxD)	Shipping Weight	Cube
WB5GT	5 Gallons	120VAC-4.6 gal/hr 220VAC-15.5 gal/hr	120/220VAC/60Hz 2W/3W+G*	1500W/12.5A 5000W/22.7A	6 ft./NEMA 5-15P 120V	1/4" Flare	24.5" x 9.125" x 16.625"	39 lbs.	5.7

*Optional 200VAC/3Phase - Specify 3 Wire or 4 Wire Plus Ground.

ACCESSORY ITEMS



CSC10 - Water Filter



CSC15 - Water Filter

Specifications	Application/Description	Rated Life* (Gallons)	Flow (GPM)	Micron Rating	Pressure Range (psi)	Temperature Range (°F)	Water Connection	Ship. Wt.** (lbs.)	Cube** (cu. ft.)
CSC10AC00 with Head	Chlorine & Sediment Removal, Scale Prevention/OCS	10,000	1.65	10	35-125psi	35-100°F	3/8" FNPT	17	1.23
CSC10CC00 Cartridge Only	Chlorine & Sediment Removal, Scale Prevention/OCS	10,000	1.65	10	35-125psi	35-100°F		15	1.23
CSC15AC00 with Head	Chlorine & Sediment Removal, Scale Prevention/OCS	15,000	2.0	10	35-125psi	35-100°F	3/8" FNPT	23	1.69
CSC15CC00 Cartridge Only	Chlorine & Sediment Removal, Scale Prevention/OCS	15,000	2.0	10	35-125psi	35-100°F		21	1.69

*Rated Life is for Chlorine Removal. To ensure proper control of scale, filters should be replaced every 6 months.

** Shipping Weight and Cube are per cases of 6.



WILBUR CURTIS COMPANY, INC.

6913 Acco Street, Montebello, CA 90640-5403

Telephone: 800-421-6150 · 323-837-2300

Fax: 323-837-2406

www.wilburcurtis.com



Free Manuals Download Website

<http://myh66.com>

<http://usermanuals.us>

<http://www.somanuals.com>

<http://www.4manuals.cc>

<http://www.manual-lib.com>

<http://www.404manual.com>

<http://www.luxmanual.com>

<http://aubethermostatmanual.com>

Golf course search by state

<http://golfingnear.com>

Email search by domain

<http://emailbydomain.com>

Auto manuals search

<http://auto.somanuals.com>

TV manuals search

<http://tv.somanuals.com>