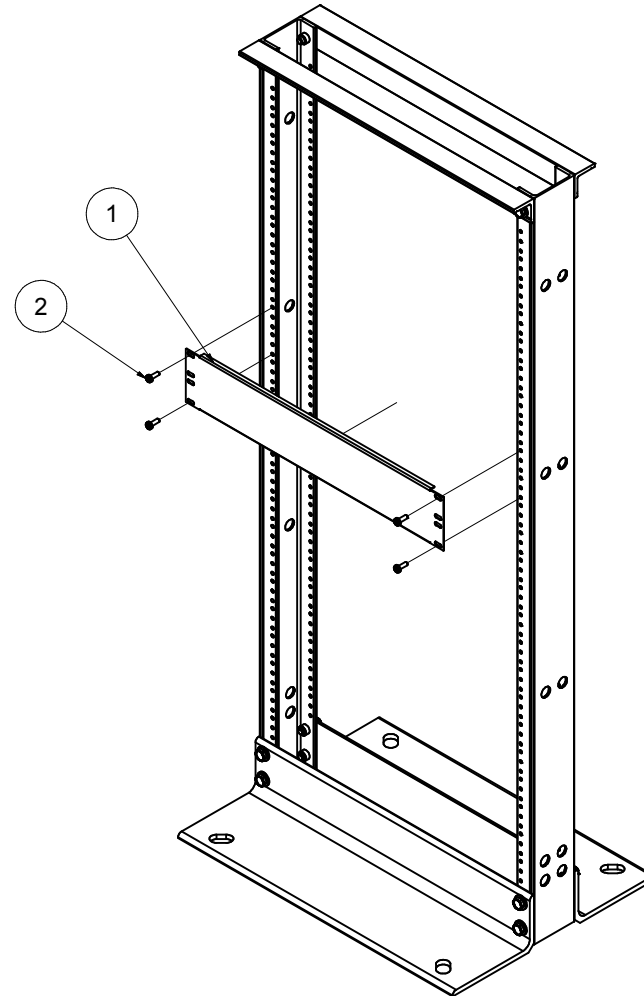


# INSTRUCTION SHEET- F4D162-2

## BLANK PANEL 19" 2U

### INSTRUCTIONS

1. Attach panel (1) to rack using the provided screws (2).



**TOOLS NEEDED:**  
#2 Phillips screwdriver

PARTS LIST		
ITEM	QTY	DESCRIPTION
1	1	Blank Panel 2 RMS
2	4	Pan Head Phillips 12-24 x 0.625

## Free Manuals Download Website

<http://myh66.com>

<http://usermanuals.us>

<http://www.somanuals.com>

<http://www.4manuals.cc>

<http://www.manual-lib.com>

<http://www.404manual.com>

<http://www.luxmanual.com>

<http://aubethermostatmanual.com>

Golf course search by state

<http://golfingnear.com>

Email search by domain

<http://emailbydomain.com>

Auto manuals search

<http://auto.somanuals.com>

TV manuals search

<http://tv.somanuals.com>