



# MPC 6171

17" Medical Grade Panel PC  
Core 2 Duo embedded system

## User Manual

*MPC 6171A*: 17" Industrial Medical Grade Panel PC with Core 2 Duo 2.20GHz processor

*MPC6171B*: 17" Industrial Medical Grade Panel PC with Core 2 Duo 2.20GHz processor (No Touch Screen)



# MPC 6171

17" Medical Grade Panel PC  
Core 2 Duo embedded system

## ACKNOWLEDGEMENTS

Intel® and Core 2 Duo and Core Solo are registered trademarks of Intel® Corporation.

IBM, PC/AT, PS/2 are trademarks of International Business Machines Corporation.

Microsoft® Windows is a registered trademark of Microsoft Corporation.

RTL is a trademark of Realtek Semi-Conductor Co., Ltd.

C&T is a trademark of Chips and Technologies, Inc.

UMC is a trademark of United Microelectronics Corporation.

ITE is a trademark of Integrated Technology Express, Inc.

VIA is a trademark of VIA Technology, Inc.

Award is a registered trademark of Award Software International, Inc.

PS/2 is a trademark of International Business Machines Corporation.

Intel is a trademark or registered trademark of Intel Corporation.

Microsoft Windows is a registered trademark of Microsoft Corporation.

Winbond is a registered trademark of Winbond Electronics Corporation.

All other product names or trademarks are properties of their respective owners.



# MPC 6171

17" Medical Grade Panel PC  
Core 2 Duo embedded system

## FCC CLASS B

This equipment has been tested and found to comply with the limits for a Class B digital device, pursuant to Part 18 of the FCC Rules.

These limits are designed to provide reasonable protection against harmful interference when the equipment is operated in a residential environment. This equipment generates, uses and can radiate radio frequency energy. If not installed and used in accordance with this user manual, it may cause harmful interference to radio communications.

Note that even when this equipment is installed and used in accordance with this user manual, there is still no guarantee that interference will not occur. If this equipment is believed to be causing harmful interference to radio or television reception, this can be determined by turning the equipment on and off. If interference is occurring, the user is encouraged to try to correct the interference by one or more of the following measures:

- Reorient or relocate the receiving antenna

- Increase the separation between the equipment and the receiver

- Connect the equipment to a power outlet on a circuit different from that to which the receiver is connected

- Consult the dealer or an experienced radio/TV technician for help

### Warning:

Any changes or modifications made to the equipment which are not expressly approved by the relevant standards authority could void your authority to operate the equipment.

### Caution:

Danger of explosion if battery is incorrectly replaced, replace only with the same or equivalent type recommended by the manufacturer. Dispose of used batteries according to the manufacturer's instructions.



# MPC 6171

17" Medical Grade Panel PC  
Core 2 Duo embedded system

## **SAFETY INSTRUCTIONS**

### **Greeting & Setup**

Thank you for purchasing the MPC6171A/ MPC6171B unit. We wish that this unit will be durable and reliable in providing your medical application needs. Please follow the instructions below to ensure the unit continues to have high performance.

### **Unpacking**

After opening the carton, there will be a Monitor display unit with an accessory box. Examine the contents to see if there are damages to the unit and if all accessories are present.

### **Setting up**

Please read this manual carefully and remember to keep this manual for future reference.

### **Safety Instructions & Cleaning**

The unit has undergone various tests in order to comply with safety standards. Inappropriate use of the open frame unit may be dangerous. Please remember to follow the instructions below to insure your safety during the installation and operating process.

### **Transporting & Placement of unit**

1. When moving the unit on a cart; be very cautious. Quick stops, excessive forces and uneven surfaces may cause the cart to overturn thus risking the unit to fall to the ground.
2. If the Monitor display unit does fall to the ground, immediately turn the power off and disconnect cords. Then contact a service technician for repairs. Continual use of the unit may result cause a fire or electric shock. Also, do not repair the unit on your own.
3. Having two or more people transporting the display unit is recommended. In addition, when installing the unit by suspending it also requires two or more people.
4. Before suspending the unit, make sure the material used for suspension is sturdy and stable. If not properly suspended, the display unit may fall and cause serious injury to people standing nearby as well as to the unit itself.
5. If you wish to mount the display unit, remember to use only the mounting hardware recommended by the manufacturer.



# MPC 6171

17" Medical Grade Panel PC  
Core 2 Duo embedded system

## Electrical and Power Source Related

1. This Monitor display unit must operate on a power source as shown on the specification label. If you are not sure what type of power supply used in the area, consult your dealer or local power supplier.
2. The power cords must not be damaged. Applied pressure, added heat, and tugging may damage the power cord.
3. The power cord must be routed properly when setup takes place. We advise that this aspect measure is to prevent people from stepping on the cords or while the unit is suspended to prevent flying objects from getting tangled with the unit.
4. Do not overload the AC outlets or extension cords. Electrical shocks or fires may occur from overloading.
5. Do not touch the power source during a thunderstorm.
6. If your hands are wet, do not touch the plug.
7. Use your thumb and index finger, grip firmly on the power cord to disconnect from the electrical socket. By pulling the power cord, may result in damaging it.
8. If the unit is not going to be in use for an extended period of time, remember to disconnect the unit.
9. The Monitor display unit uses voltage between 90-264VAC. Connect the unit to a power source with the same numerical value as shown. Please use only the power cord provided by the dealer to ensure safety and EMC compliance.

## Various Factors of Environment

1. Do not insert objects into the openings.
2. Do not have liquids seep into the internal areas of the Monitor display unit.
3. Having liquids seep in or inserting objects into the unit may result in electric shocks from taking and/or short circuiting the internal parts.
4. Do not place the Monitor display unit in the presence of high moisture areas.
5. Do not install the Monitor display unit in a wet environment.
6. Do not place near unit near heat generating sources.
7. Do not place the unit in a location where it will come in contact with fumes or steam.



# MPC 6171

17" Medical Grade Panel PC  
Core 2 Duo embedded system

8. Remember to keep the Monitor display unit away from the presence of dust.
9. If water has flow in or seep in, immediately disconnect the open frame unit. Then contact a service technician for repairs.

## Ventilation Spacing

1. Do not cover or block the openings on the top and back sides of the display unit. Inadequate ventilation may cause overheating thus reducing the lifespan of the unit.
2. Unless proper ventilation is present, do not place unit in an enclosed area; such as a built-in shelf. Keep a minimum distance of 10 cm between the display unit and wall.

## Cleaning the unit

1. Remember to turn off the power source and to unplug the cord from the outlet before cleaning the unit.
2. Carefully dismount the unit or bring the unit down from suspension to clean.
3. Please use a dry soft cloth to clean the unit.
4. Take a dry cloth and wipe the unit dry. Remember to avoid having liquids seep into the internal components and areas of the Monitor display unit.

## Servicing, Repairing, Maintenance & Safety Checks

1. If the unit is not functioning properly, observe the performance level of the display closely to determine what type of servicing is needed.
2. Do not attempt to repair the Monitor display unit on your own. Disassembling the cover exposes users' to high voltages and other dangerous conditions. Notify and request a qualified service technician for servicing the unit.
3. If any of the following situations occur turn the power source off and unplug the unit. Then contact a qualified service technician
  - (a) A liquid was spilled on the unit or objects have fallen into the unit.
  - (b) The unit is soaked with liquids.
  - (c) The unit is dropped or damaged.



# MPC 6171

17" Medical Grade Panel PC  
Core 2 Duo embedded system

- (d) If smoke or strange odor is flowing out of the operating unit.
- (e) If the power cord or plug is damaged.
- (f) When the functions of the unit are dysfunctional.

4. When replacement parts are needed for the Monitor display unit, make sure service technicians use replacement parts specified by the manufacturer, or those with the same characteristics and performance as the original parts. If unauthorized parts are used it may result in starting a fire, electrical shock and/or other dangers.

## **Caution:**

**DO NOT LEAVE THIS EQUIPMENT IN AN UNCONTROLLED ENVIRONMENT WHERE THE STORAGE TEMPERATURE IS BELOW**

**-20° C (-4° F) OR ABOVE 60° C (140° F). THIS MAY DAMAGE THE EQUIPMENT.**

This equipment shall not be used in life support systems.

The user is not to touch SIP/SOPs and the patient at the same time.

The sound pressure level at the operator's position according to IEC 704-1:1982 is no more than 70dB (A).





# MPC 6171

17" Medical Grade Panel PC  
Core 2 Duo embedded system

## Table of Contents

### CHAPTER 1 INTRODUCTION

1.1 PRODUCT DESCRIPTION.....	1
1.2 PACKAGE LIST .....	2
1.3 FEATURES .....	3
1.4 SPECIFICATIONS .....	3
1.5 CLEANING/ DISINFECTING .....	6

### CHAPTER 2 GETTING STARTED

2.1 SYSTEM SET UP .....	9
2.2 DIMENSION .....	10
2.3 SYSTEM VIEW .....	11
2.4 DISCONNECT DEVICE .....	17

### CHAPTER 3 BIOS SETUP

### APPENDIX

A. JUMPER SETTINGS AND CONNECTORS.....	36
B. VESA MOUNTING .....	45





# MPC 6171

17" Medical Grade Panel PC  
Core 2 Duo embedded system

## CHAPTER 1 INTRODUCTION

### 1.1 PRODUCT DESCRIPTION

The MPC 6171A/ MPC 6171B Medical Panel PC are based on Intel Core 2Duo processor which deliver a performance improvement of more than 100 percent compared to systems running traditional single-core processors. With two cores, or computing engines, MPC 6171A/ MPC 6171B can simultaneously execute two computing tasks. It accommodates one 2.5" SATA hard disk drive and up to 4GB DDR2 SODIMM.

The high brightness LCD, Low Noise solution, integrated multimedia functions and extensive expansion options make them the perfect platform upon which to build comprehensive lifestyle computing applications.

The MPC 6171A/ MPC 6171B includes all the features of a powerful computer into a slim and attractive chassis. The MPC 6171A/ MPC 6171B has a 17" high brightness TFT display with 1280 x 1024 resolutions.

The MPC 6171A/ MPC 6171B are compact, Giga LAN and selectable WLAN network compatible PC with full safety and medical approval and features to control a dedicated system with a wide variety of applications. Combining the MPC 6171A/ MPC 6171B into your system can achieve both cost-saving and efficient improvements.

Common applications include Surgical, Radiology, PACS (Picture Archiving Communication Systems), LIS (Lab Information Systems) and Electronic Medical Record. The MPC6171A/ MPC6171B are definitely your perfect choices.

### 1.2 PACKAGE LIST

Before you begin installing your Medical Station, please make sure that the following items have been shipped:

- o The MPC 6171A/ MPC 6171B Medical Panel PC
- o One CD containing user manual, QIG, chipset drivers
- o Power Adapter x 1 (Mf:Sinpro, type/model: MPU100-105)
- o Power cord - Hospital grade used(US type), or other type in UK, EU...etc.
- o Touch pen x 1 (By configuration)
- o Screw x 8 (VESA 75/100 use)



# MPC 6171

17" Medical Grade Panel PC  
Core 2 Duo embedded system

## 1.3 FEATURES

Intel Core 2 Duo Mobile CPU / Celeron M 550 Solution

17" 380 nits high brightness

Highest performance and low power system solution

Plastic construction with medical outlook color

Resistive touch screen (optional)

802.11 b/g wireless LAN Module (optional)

Bluetooth v2.1 + EDR module (optional)

Integrated Compact Flash card reader (By configuration, optional)

Integrated webcam solution (By configuration, optional)

VESA 75/100 compliance Desktop Stand (optional)

VESA 75/100 compliance Wall Mount (optional)



# MPC 6171

17" Medical Grade Panel PC  
Core 2 Duo embedded system

## 1.4 SPECIFICATION

### HARDWARE SPECIFICATIONS

Display 17" 380 nits SXGA color TFT LCD

CPU Support

MPC6171: Intel® Core 2 Duo T7500 2.2GHz

Intel® Celeron M550 2.0GHz

Disk Drive Space: 2.5" Hard Disk Drive (SATA-150)

Expansion: One Mini PCI slot; One PCI expansion, One CF card slot expansion or one Smart card slot expansion slot (By configuration, optional)

Button: Brightness: "+" / "-"; Sound: "+" / "-"; Power SW

I/O:

Standard Version-

2 RS-232 ports + 1 RS-232/422/485 port

4 USB 2.0 ports

1 DC-in w/ lock function

1 PS/2 keyboard and 1 PS/2 mouse

2 Gigabit LAN RJ-45 Connectors

Sound:

1 x Line-in

1 x line-out

1 x Mic-in

2 x 2W Speakers on back side

1 x PCI slot



# MPC 6171

17" Medical Grade Panel PC  
Core 2 Duo embedded system

## LCD SPECIFICATIONS

**Model Name: G170EG01 (V0)**

**Display Type: 17" color TFT LCD**

**Max. Resolution: 1280 x 1024**

**Contrast Ratio: 1000 : 1 (Typ)**

**Pixel Pitch (mm): 0.264 (per one triad) x 0.264**

**Luminance (cd/m2): 380 (TYP)**

**Viewing Angle: 170°(H)/ 160°(V)**

**Operating Temperature: 0°C~ 40°C (32°F~104°F)**

**Brightness Control      Yes**

## POWER ADAPTER SPECIFICATIONS

Power Close-frame

MFR: Sinpro

Type: MPU100-105

Input Voltage: 100 ~ 240 VAC, 1.25 max. @ 47 ~ 63 Hz

Output Voltage: 12V @ 8.33 A

MTBF: 100,000 hrs operation at 25°C

## MECHANICAL SPECIFICATION

Architecture Close-frame

Front Bezel Plastic bezel with resistive touch screen

Color Medical-white

Mounting / Holder VESA 75/100mm

Construction 3mm ABS + PC TYPE Plastic housing

Dimension (WxHxD): 16.5" x 14.2" x 3.2" (420mmx 360mm x 83mm)



661 Brea Canyon Rd., Suite 3  
Walnut, CA 91789  
tel: 909.598.7388, fax: 909.598.0218

© Copyright 2011 Acnodes, Inc.  
All rights reserved. Product description and product specifications  
are subject to change without notice. For latest product information,  
please visit Acnodes' web site at [www.acnodes.com](http://www.acnodes.com).



# MPC 6171

17" Medical Grade Panel PC  
Core 2 Duo embedded system

**Net Weight: 15.62 lb (7.0 kg)**

**Packing Filler: PE**

## **ENVIRONMENTAL SPECIFICATIONS**

Operating Temperature: 10°C to 40°C (50°F ~104°F)

Storage Temperature: -20°C to 60°C (-4°F ~140°F)

Storage Humidity: 5% to 95% @ 40°C, non-condensing

Vibration: 0.5G / 5 ~ 500Hz (Random) / operation

Shock :

Operating: 15g/0.53 oz, 11 ms, half sine wave

Non-operating: 50g/1.76 oz, 11 ms, half sine wave

Drop: 3 feet (1 Corner, 3 Edge, 6 Surface)

EMI / Safety: cUL 60601-1, FCC/VCCI class B, EN 60601-1(MDD)/EN 60601-1-2(EMC)

Noise: MPC6171: Under 30 db

Altitudes: Operational: 6,000 feet

Shipping: 40,000 feet

Input Power Rating: For Adaptor: AC100~240 V, 47 ~ 63 Hz, 1.25A max.

For Unit: 8.33A (WMP-171); 7.0A (WMP-172)

Power Consumption: MPC6171:79.50W

## **TOUCH SCREEN (OPTIONAL)**

Type: 5-wire, Analog Resistive

Interface: USB interface

Resolution: 2048 x 2048

Light Transmission: 80% ± 3%

Life Time: 35 million activations



# MPC 6171

17" Medical Grade Panel PC  
Core 2 Duo embedded system

## 1.5 CLEANING/ DISINFECTING

### Steps:

1. Wipe the MPC6171A/ MPC6171B with a dry clean cloth.
2. Prepare agent per manufacturer's instructions or hospital protocol.

### Cautions:

Do not immerse or rinse the MPC6171A/ MPC6171B and its peripherals. If you accidentally spill liquid on the device, disconnect the unit from the power source. Contact your Biomed regarding the continued safety of the unit before placing it back in operation.

Do not spray cleaning agent on the chassis.

Do not use disinfectants that contain phenol.

Do not autoclave or clean the MPC6171A/ MPC6171B or its peripherals with strong aromatic, chlorinated, ketone, ether, or Esther solvents, sharp tools or abrasives. Never immerse electrical connectors in water or other liquids.



# MPC 6171

17" Medical Grade Panel PC  
Core 2 Duo embedded system

## CHAPTER 2 GETTING STARTED

### 2.1 SYSTEM SET UP

#### System Set Up

The following is a summary of the steps in setting up the system for use.

- (1). You can fix the system to a mounting fixture using the screw holes on the sides of the system.
- (2). Make any required external connections such as the display, keyboard, and LAN.
- (3). Plug the appropriate end of the power cord into the power connector on the rear of the system and the plug to an electrical outlet.
- (4). Press the power switch on the front panel of the system once to turn on the system power.
- (5). If necessary, run the BIOS SETUP programs to configure the system.

#### Caution:

In order to boot up system from USB-CD/DVD drive, please connect USB-CD/DVD drive, turn on computer power, keep on pressing "F11" key, go into BIOS quick boot menu, select "USB-CD ROM", WAIT FOR 20

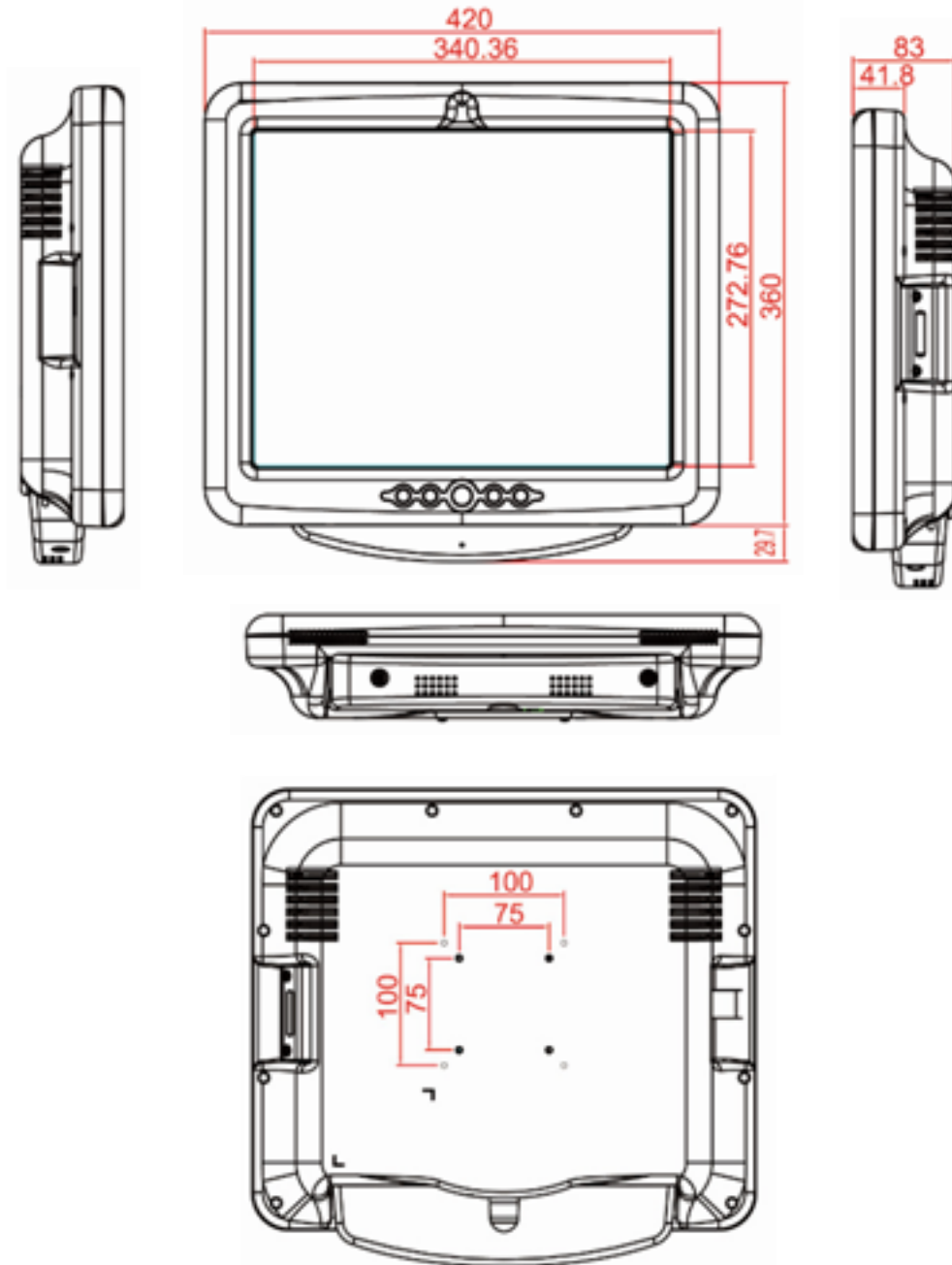
SECONDS, then press enter, system OS will boot up from USB-CD/DVD drive directly.



# MPC 6171

17" Medical Grade Panel PC  
Core 2 Duo embedded system

## 2.2 DIMENSION



**ACNODES**

661 Brea Canyon Rd., Suite 3  
Walnut, CA 91789  
tel: 909.598.7388, fax: 909.598.0218

© Copyright 2011 Acnodes, Inc.  
All rights reserved. Product description and product specifications  
are subject to change without notice. For latest product information,  
please visit Acnodes' web site at [www.acnodes.com](http://www.acnodes.com).

# MPC 6171

17" Medical Grade Panel PC  
Core 2 Duo embedded system

## 2.3 SYSTEM VIEW

Front View

Webcam (optional)



From left to right:

1. Brightness down
2. Brightness up
3. Power
4. Volume down
5. Volume up

Control button at front panel

Rear View



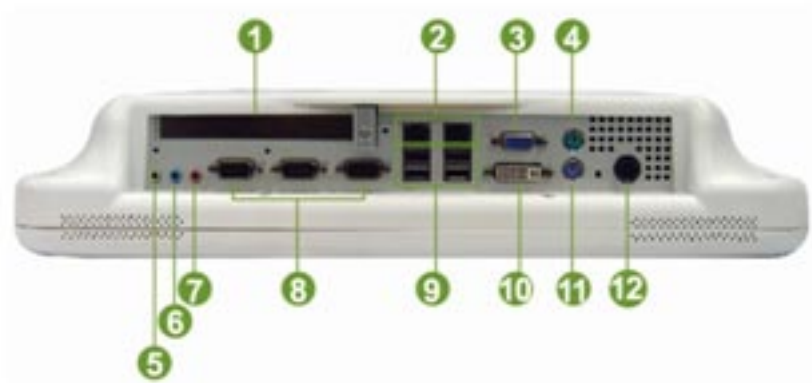
VESA 75/100

MPC6171A /MPC6172 models  
do not have webcam hold.

# MPC 6171

17" Medical Grade Panel PC  
Core 2 Duo embedded system

## I/O parts



- |             |                 |
|-------------|-----------------|
| 1 PCI Slot  | 9 USB           |
| 2 Giga LAN  | 10 DVI          |
| 3 VGA       | 11 PS2 K/B      |
| 4 PS2 Mouse | 12 Power DC-in  |
| 5 Line-out  | 13 Rubber cover |
| 6 Line-in   | 14 I/O cover    |
| 7 Mic       |                 |
| 8 RS232     |                 |

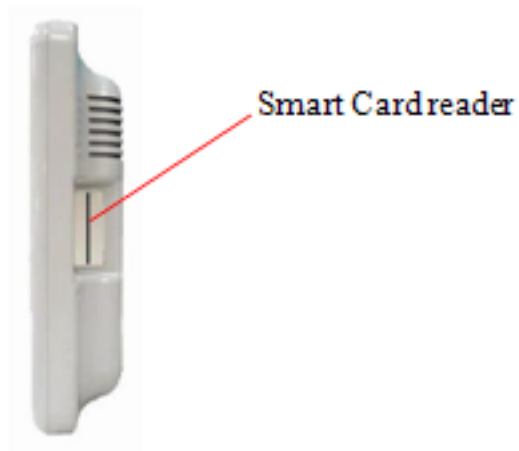
# MPC 6171

17" Medical Grade Panel PC  
Core 2 Duo embedded system

Side View (CF card reader model)



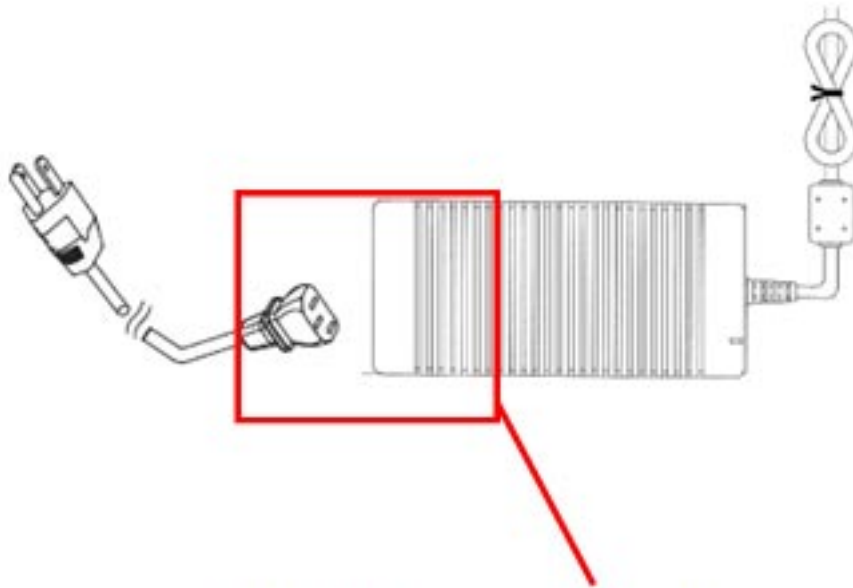
Side View (Smart card reader model)



# MPC 6171

17" Medical Grade Panel PC  
Core 2 Duo embedded system

## 2.4 DISCONNECT DEVICE



Unplug the power cord from the power adapter jack to disconnect the device.



# MPC 6171

17" Medical Grade Panel PC  
Core 2 Duo embedded system

## CHAPTER 3 BIOS SETUP

### 3.1 BIOS Introduction

The Award BIOS (Basic Input/Output System) installed in your computer system's ROM supports Intel processors. The BIOS provides critical low-level support for a standard device such as disk drives, serial ports and parallel ports. It also adds virus and password protection as well as special support for detailed fine-tuning of the chipset controlling the entire system.

#### MPC6171A/ MPC 6171B

The Award BIOS provides a Setup utility program for specifying the system configurations and settings. The BIOS ROM of the system stores the Setup utility. When you turn on the computer, the Award BIOS is immediately activated. Pressing the <Del> key immediately allows you to enter the Setup utility. If you are a little bit late pressing the <Del> key, POST (Power On Self Test) will continue with its test routines, thus preventing you from invoking the Setup. If you still wish to enter Setup, restart the system by pressing the "Reset" button or simultaneously pressing the <Ctrl>, <Alt> and <Delete> keys. You can also restart by turning the system Off and back On again. The following message will appear on the screen:

Press <DEL> to Enter Setup

In general, you press the arrow keys to highlight items, <Enter> to select, the <PgUp> and <PgDn> keys to change entries, <F1> for help and <Esc> to quit.

When you enter the Setup utility, the Main Menu screen will appear on the screen. The Main Menu allows you to select from various setup functions and exit choices.

# MPC 6171

17" Medical Grade Panel PC  
Core 2 Duo embedded system

Award BIOS CMOS Setup Utility	
Standard CMOS Features	Load Fail-Safe Defaults
Advanced BIOS Features	Load Optimized Defaults
Advanced Chipset Features	Set Supervisor Password
Integrated Peripherals	Set User Password
Power Management Setup	Save & Exit Setup
PnP/PCI Configurations	Exit Without Saving
PC Health Status	
Esc : Quit   □ : Select Item	
F10 : Save & Exit Setup	
Time, Date, Hard Disk Type..	

The section below the setup items of the Main Menu displays the control keys for this menu. At the bottom of the Main Menu just below the control keys section, there is another section, which displays information on the currently highlighted item in the list.

**Note:** If the system cannot boot after making and saving system changes with Setup, the Award BIOS supports an override to the CMOS settings that resets your system to its default.

**Warning:** It is strongly recommended that you avoid making any changes to the chipset defaults. These defaults have been carefully chosen by both Award and your system manufacturer to provide the absolute maximum performance and reliability. Changing the defaults could cause the system to become unstable and crash in some cases.



# MPC 6171

17" Medical Grade Panel PC  
Core 2 Duo embedded system

## STANDARD CMOS FEATURES

"Standard CMOS Features" choice allows you to record some basic hardware configurations in your computer system and set the system clock and error handling. If the motherboard is already installed in a working system, you will not need to select this option. You will need to run the Standard CMOS option, however, if you change your system hardware configurations, the onboard battery fails, or the configuration stored in the CMOS memory was lost or damaged.

### Phoenix - Award BIOS CMOS Setup Utility Standard CMOS Features

		Item Help
Date (mm:dd:yy)	Tue, Jan 1, 2008	
Time (hh:mm:ss)	00:00:00	Menu Level >
IDE Channel 0 Master	None	
IDE Channel 0 Slave	None	
IDE Channel 2 Master	None	
IDE Channel 2 Slave	None	
IDE Channel 3 Master	None	
Video	EGA/VGA	
Halt On	All Errors	
Base Memory	640k	
Extended Memory	514048k	
Total Memory	515072k	

At the bottom of the menu are the control keys for use on this menu. If you need any help in each item field, you can press the <F1> key. It will display the relevant information to help you. The memory display at the lower right-hand side of the menu is read-only. It will adjust automatically according to the memory changed. The following describes each item of this menu.

#### Date

The date format is:

Day: Sun to Sat

Month: 1 to 12

Date: 1 to 31

Year: 1999 to 2099



# MPC 6171

17" Medical Grade Panel PC  
Core 2 Duo embedded system

To set the date, highlight the "Date" field and use the PageUp/ PageDown or +/- keys to set the current time.

## Time

The time format is: Hour : 00 to 23

Minute : 00 to 59

Second : 00 to 59

To set the time, highlight the "Time" field and use the <PgUp>/<PgDn> or +/- keys to set the current time.

## IDE Channel Master/Slave

The onboard Serial ATA connectors provide Primary and Secondary channels for connecting up to four Serial ATA hard disks. Each channel can support up to two hard disks; the first is the "Master" and the second is the "Slave".

Press <Enter> to configure the hard disk. The selections include Auto, Manual, and None. Select 'Manual' to define the drive information manually. You will be asked to enter the following items.

Capacity : Capacity/size of the hard disk drive

Cylinder : Number of cylinders

Head : Number of read/write heads Precomp : Write precompensation Landing Zone : Landing zone

Sector : Number of sectors

The Access Mode selections are as follows:

CHS (HD < 528MB)

LBA (HD > 528MB and supports Logical Block Addressing)

Large (for MS-DOS only)

Auto

Remarks: The main board supports one serial ATA ports and are represented in this setting as IDE Channel 2.

## Video

This field selects the type of video display card installed in your system. You can choose the following video display cards:

EGA/VGA For EGA, VGA, SEGA, SVGA or PGA monitor adapters. (default)

CGA 40 Power up in 40 column mode.

CGA 80 Power up in 80 column mode.

MONO For Hercules or MDA adapters.



661 Brea Canyon Rd., Suite 3  
Walnut, CA 91789  
tel: 909.598.7388, fax: 909.598.0218

© Copyright 2011 Acnodes, Inc.  
All rights reserved. Product description and product specifications are subject to change without notice. For latest product information, please visit Acnodes' web site at [www.acnodes.com](http://www.acnodes.com).



# MPC 6171

17" Medical Grade Panel PC  
Core 2 Duo embedded system

## Halt On

This field determines whether or not the system will halt if an error is detected during power up.

All errors Whenever the BIOS detects a non-fatal error, the system will stop and you will be prompted.

No errors The system boot will not be halted for any error that may be detected.

All, But Keyboard The system boot will not be halted for a keyboard error; it will stop for all other errors

# MPC 6171

17" Medical Grade Panel PC  
Core 2 Duo embedded system

## ADVANCED BIOS FEATURES

This section allows you to configure and improve your system and allows you to set up some system features according to your preference.

Phoenix - Award BIOS CMOS Setup Utility  
Advanced BIOS Features

CPU Feature	Press Enter	ITEM HELP
Hard Disk Boot Priority	Press Enter	Menu Level =>
Virus Warning	Disabled	
CPU L1 and L2 Cache	Enabled	
CPU L3	Enabled	
Quick Power On Self Test	Enabled	
First Boot Device	USB-CDROM	
Second Boot Device	Hard Disk	
Third Boot Device	LAN	
Boot Other Device	Enabled	
Boot Up Numlock Status	On Gate	
A20 Option	Fast	
Typeomatic Rate Setting	Disabled	
Typeomatic Rate (Chars/Sec)	6	
Typeomatic Delay (Msec)	250	
Security Option	Setup	
APIC Mode	Enabled	
MPS Version Control for OS	1.4	
OS Select For DRAM-64MB	Non-OS2	
Report No FDD For WIN 95	Yes	
Full screen Logo Show	Enabled	
Small Logo (EPA) Show	Disabled	

### CPU Feature

Press Enter to configure the settings relevant to CPU Feature.

### Hard Disk Boot Priority

With the field, there is the option to choose, aside from the hard disks connected, "Bootable add-in Cards" which refers to other external devices.

### Virus Warning

If this option is enabled, an alarm message will be displayed when trying to write on the boot sector or on the partition table on the disk, which is typical of the virus.

### CPU L1 and L2 Cache

Cache memory is additional memory that is much faster than conventional DRAM (system memory). CPUs from 486-type on up contain internal cache memory, and most, but not all, modern PCs have additional (external) cache memory. When the CPU requests data, the system transfers the requested data from the main DRAM into cache memory, for even faster access by the CPU. These items allow you to enable (speed up memory access) or disable the cache function. By default, these items are Enabled.

**ACNODES**

661 Brea Canyon Rd., Suite 3  
Walnut, CA 91789  
tel: 909.598.7388, fax: 909.598.0218

© Copyright 2011 Acnodes, Inc.  
All rights reserved. Product description and product specifications  
are subject to change without notice. For latest product information,  
please visit Acnodes' web site at [www.acnodes.com](http://www.acnodes.com).



# MPC 6171

17" Medical Grade Panel PC  
Core 2 Duo embedded system

**CPU L3 Cache**  
Enabled or Disabled

## Quick Power On Self Test

When enabled, this field speeds up the Power On Self Test (POST) after the system is turned on. If it is set to Enabled, BIOS will skip some items.

## First/Second/Third Boot Device

These fields determine the drive that the system searches first for an operating system. The options available include LS120, Hard Disk, CDROM, ZIP100, USB-Floppy, USB-ZIP, USB-CDROM, LAN and Disable.

## Boot Other Device

These fields allow the system to search for an OS from other devices other than the ones selected in the First/Second/Third Boot Device.

## Boot Up NumLock Status

This allows you to activate the NumLock function after you power up the system.

## Gate A20 Option

This field allows you to select how Gate A20 is worked. Gate A20 is a device used to address memory above 1 MB.

## Typematic Rate Setting

When disabled, continually holding down a key on your keyboard will generate only one instance. When enabled, you can set the two typematic controls listed next. By default, this field is set to Disabled.

## Typematic Rate (Chars/Sec)

When the typematic rate is enabled, the system registers repeated keystrokes speeds. Settings are from 6 to 30 characters per second.

## Typematic Delay (Msec)

When the typematic rate is enabled, this item allows you to set the time interval for displaying the first and second characters. By default, this item is set to 250msec.

## Security Option

This field allows you to limit access to the System and Setup. The default value is Setup. When you select System, the system prompts for the User Password every time you boot up. When you select Setup, the system always boots up and prompts for the Supervisor Password only when the Setup utility is called up.



# MPC 6171

17" Medical Grade Panel PC  
Core 2 Duo embedded system

## APIC Mode

APIC stands for Advanced Programmable Interrupt Controller. The default setting is Enabled.

## MPS Version Control for OS

This option specifies the MPS (Multiprocessor Specification) version for your operating system. MPS version 1.4 added extended configuration tables to improve support for multiple PCI bus configurations and improve future expandability. The default setting is 1.4.

## OS Select for DRAM > 64MB

This option allows the system to access greater than 64MB of DRAM memory when used with OS/2 that depends on certain BIOS calls to access memory. The default setting is Non-OS/2.

## Report No FDD For WIN 95

If you are using Windows 95/98 without a floppy disk drive, select Enabled to release IRQ6. This is required to pass Windows 95/98's SCT test. You should also disable the Onboard FDC Controller in the Integrated Peripherals screen when there's no floppy drive in the system. If you set this feature to Disabled, the BIOS will not report the missing floppy drive to Win95/98.

## Full screen Logo Show

The screen logo appears full of the monitor screen when the system is boot up. The default setting is Enabled.

## Small Logo (EPA) Show

The EPA logo appears at the right side of the monitor screen when the system is boot up. The default setting is Disabled.



# MPC 6171

17" Medical Grade Panel PC  
Core 2 Duo embedded system

## ADVANCED CHIPSET FEATURES

This Setup menu controls the configuration of the chipset.

Phoenix - Award BIOS CMOS Setup Utility  
Advanced Chipset Features

System BIOS Cacheable	Enabled	ITEM HELP
Memory Hole at 15M-16M	Disabled	Menu Level >-
PCI Express Root Port Func	Press Enter	
** VGA Setting **		
PEG/On Chip VGA Control	Auto	
* PEG Force x1	Disabled	
On-Chip Frame Buffer Size	8MB	
DVMT Mode	DVMT	
DVMT/FIXED memory Size	128MB	
Boot Display	Auto	
Panel Scaling	Auto	
Panel Number	1024x768 18 bit SC	

### System BIOS Cacheable

The setting of Enabled allows caching of the system BIOS ROM at F000h-FFFFh, resulting in better system performance. However, if any program writes to this memory area, a system error may result.

### Memory Hole At 15M-16M

In order to improve performance, certain space in memory can be reserved for ISA cards. This memory must be mapped into the memory space below 16 MB. The choices are Enabled and Disabled.

### PCI Express Root Port Func

By default.

### VGA Setting

The fields under the VGA Setting and their default settings are: PEG/On Chip VGA Control: Onchip VGA  
On-Chip Frame Buffer Size: 8MB DVMT Mode: DVMT  
DVMT/Fixed Memory Size: 128MB Boot Display: Auto  
Panel Scaling: Auto  
Panel Number: 4



# MPC 6171

17" Medical Grade Panel PC  
Core 2 Duo embedded system

## INTEGRATED PERIPHERALS

This section sets configurations for your hard disk and other integrated peripherals.

Phoenix - AwardBIOS CMOS Setup Utility  
Integrated Peripherals

On-Chip IDE Device	Driver	Enter	Press	Enter	IDE CH1
SuperIO Device	Enabled	Press	Enter		Menu Level =>
Onboard LAN1 Boot ROM	Enabled				
Onboard LAN2 Boot ROM	Enabled				
Onboard Serial Port 3	280				
Serial Port 3 Use IRQ	IRQ5				
Onboard Serial Port 3	288				
Serial Port 3 Use IRQ	IRQ7				
Onboard Serial Port 3	2A0				
Serial Port 3 Use IRQ	IRQ10				
Onboard Serial Port 3	2A8				
Serial Port 3 Use IRQ	IRQ11				
USB Device Setting	Press	Enter			

### OnChip IDE Device

#### IDE HDD Block Mode

This field allows your hard disk controller to use the fast block mode to transfer data to and from your hard disk drive.

#### IDE DMA transfer access

This field allows your hard disk controller to use the fast block mode to transfer data to and from your hard disk drive.

#### On-Chip Serial ATA Setting

The fields under the SATA setting includes On-Chip Serial ATA (Auto), PATA IDE Mode (Secondary) and SATA Port (P0, P2 is Primary).

#### OnChip Primary/Secondary PCI IDE

The integrated peripheral controller contains an IDE interface with support for two IDE channels. Select Enabled to activate each channel separately.



# MPC 6171

17" Medical Grade Panel PC  
Core 2 Duo embedded system

## ONCHIP SUPER IO DEVICE

### Power ON Function

This field is related to how the system is powered on - such as with the use of conventional power button, keyboard or hot keys. The default is BUTTON ONLY.

### Onboard Serial Port

These fields allow you to select the onboard serial ports and their addresses. The default values for these ports are:

Serial Port 1 3F8/IRQ4

Serial Port 2 2F8/IRQ3

### UART Mode Select

This field determines the UART 2 mode in your computer. The default value is Normal. Other options include IrDA and ASKIR.

### PWRON After PWR-Fail

This field sets the system power status whether on or off when power returns to the system from a power failure situation.

## USB Device Setting

### USB 1.0 Controller

The options for this field are Enabled and Disabled. By default, this field is set to Enabled.

### USB 2.0 Controller

The options for this field are Enabled and Disabled. By default, this field is set to Enabled. In order to use USB 2.0, necessary OS drivers must be installed first. Please update your system to Windows 2000 SP4 or Windows XP SP2.

### USB Operation Mode

The options for this field are Full/Low speed and High speed. By default, this field is set to High speed.

### USB Keyboard Function

The options for this field are Enabled and Disabled. By default, this field is set to Enabled.

### USB Mouse Function

The options for this field are Enabled and Disabled. By default, this field is set to Enabled.

### USB Storage Function

The options for this field are Enabled and Disabled. By default, this field is set to Enabled.

---

**ACNODES**

661 Brea Canyon Rd., Suite 3  
Walnut, CA 91789  
tel: 909.598.7388, fax: 909.598.0218

© Copyright 2011 Acnodes, Inc.  
All rights reserved. Product description and product specifications  
are subject to change without notice. For latest product information,  
please visit Acnodes' web site at [www.acnodes.com](http://www.acnodes.com).

# MPC 6171

17" Medical Grade Panel PC  
Core 2 Duo embedded system

## POWER MANAGEMENT SETUP

Phoenix - AwardBIOS CMOS Setup Utility  
Power Management Setup

		ITEM HELP
ACPI Function	Enabled	
ACPI Suspend	S3(STR)	
RUN VGABIOS if S3 Resume	Auto	Menu Level =>
Power Management	User Define	
Video Off Method	DPoS	
Video Off In Suspend	Yes	
Suspend Type	Stop Grant	
Modem Use IRQ	3	
Suspend Mode	Disabled	
HDD Power Down	Disabled	
Soft-Off by PWR-BTTN	Instant-Off	
Wake-Up by PCI Card	Disabled	
Power On by Ring	Disabled	
USB KB Wake-Up From S3	Disabled	
Resume by Alarm	Disabled	
Date (of Month) Alarm	0	
Time (hh:mm:ss) Alarm	00:00:00	
**Reload Global Timer Events **		
Primary IDE 0	Disabled	
Primary IDE 1	Disabled	
Secondary IDE 0	Disabled	
Secondary IDE 1	Disabled	
FDD, COM, LPT Port	Disabled	
PCI IRQ[A-D] #	Disabled	

### ACPI Function

Enable this function to support ACPI (Advance Configuration and Power Interface).

### ACPI Suspend

The default setting of the ACPI Suspend mode is S3(STR).

### RUN VGABIOS if S3 Resume

The default setting of this field is Auto.

### Power Management

This field allows you to select the type of power saving management modes. There are three selections for Power Management.



# MPC 6171

17" Medical Grade Panel PC  
Core 2 Duo embedded system

**User Define** Each of the ranges is from 1 min. to 1hr. Except for HDD Power Down which ranges from 1 min. to 15 min.

**Min. Power Saving** Minimum power management

**Max. Power Saving** Maximum power management.

## Video Off Method

This field defines the Video Off features. There are three options.

**Blank Screen** Writes blanks to the video buffer.

**V/H SYNC + Blank** Blank the screen and turn off vertical and horizontal scanning.

**DPMS** Default setting, allows BIOS to control the video display.

## Video Off In Suspend

When enabled, the video is off in suspend mode. The default setting is Yes.

## Suspend Type

The default setting for the Suspend Type field is Stop Grant.

## Modem Use IRQ

This field sets the IRQ used by the Modem. By default, the setting is 3.

## Suspend Mode

When enabled, and after the set time of system inactivity, all devices except the CPU will be shut off. By default, the setting is Disabled.

## HDD Power Down

When enabled, and after the set time of system inactivity, the hard disk drive will be powered down while all other devices remain active.

## Soft-Off by PWR-BTTN

This field defines the power-off mode when using an ATX power supply. The Instant Off mode allows powering off immediately upon pressing the power button. In the Delay 4 Sec mode, the system powers off when the power button is pressed for more than four seconds or enters the suspend mode when pressed for less than 4 seconds.

## Wake up by PCI Card

By default, this field is Enabled.



# MPC 6171

17" Medical Grade Panel PC  
Core 2 Duo embedded system

## **Power On by Ring**

This field enables or disables the power on of the system through the modem connected to the serial port or LAN.

## **USB KB Wake-Up From S3**

By default, this field is Disabled.

## **Resume by Alarm**

This field enables or disables the resumption of the system operation. When enabled, the user is allowed to set the Date and Time.

## **Reload Global Timer Events**

The HDD, FDD, COM, LPT Ports, and PCI PIRQ are I/O events that can prevent the system from entering a power saving mode or can awaken the system from such a mode. When an I/O device wants to gain the attention of the operating system, it signals this by causing an IRQ to occur. When the operating system is ready to respond to the request, it interrupts itself and performs the service.

# MPC 6171

17" Medical Grade Panel PC  
Core 2 Duo embedded system

## PNP/ PCI CONFIGURATIONS

This option configures the PCI bus system. All PCI bus systems on the system use INT#, thus all installed PCI cards must be set to this value.

Phoenix - AwardBIOS CMOS Setup Utility  
PnP/PCI Configurations

Item	Value	ITEM HELP
Init Display First	PCI Slot	
Reset Configuration Data	Disabled	
Resources Controlled By	Auto (ESCD)	Menu Level
IRQ Resources	Press Enter	
PCI/VGA Palette Snoop	Disabled	
**PCI Express relative items**		
Maximum Payload Size	128	Select Yes if you are using a Plug and Play capable operating system. Select No if you need the BIOS to configure non-boot devices.

### Init Display First

The default setting is Onboard.

### Reset Configuration Data

This field allows you to determine whether to reset the configuration data or not. The default value is Disabled.

### Resources Controlled by

This PnP BIOS can configure all of the boot and compatible devices with the use of a PnP operating system such as Windows 95.

### PCI/VGA Palette Snoop

Some non-standard VGA display cards may not show colors properly. This field allows you to set whether or not MPEG ISA/VESA VGA cards can work with PCI/VGA. When this field is enabled, a PCI/VGA can work with an MPEG ISA/VESA VGA card. When this field is disabled, a PCI/VGA cannot work with an MPEG ISA/VESA card.

### Maximum Payload Size

The default setting of the PCI Express Maximum Payload Size is 128.



# MPC 6171

17" Medical Grade Panel PC  
Core 2 Duo embedded system

## PC HEALTH STATUS

This section shows the parameters in determining the PC Health Status. These parameters include temperatures, fan speeds and voltages.

Phoenix - AwardBIOS CMOS Setup Utility  
PC Health Status

		ITEM HELP
CPU Warning Temperature	Disabled	
Current System Temp	45°C/113°F	Menu Level >
Current CPU1 Temp	45°C/113°F	
FAN1 Speed	0 RPM	
FAN2 Speed	5400 RPM	
FAN3 Speed	0 RPM	
FAN4 Speed	0 RPM	
Vcore	1.17v	
VIN0	3.00v	
VIN1	12.52v	
VIN2	3.55v	
VIN3	5.67v	
VIN4	0.08v	
VCC (v)	5.56v	
VBAT (v)	3.26v	
5VSB(v)	5.56v	
CPU Smart Fan Temperature	85°C/185°F	

### CPU Warning Temperature

This field allows the user to set the temperature so that when the temperature is reached, the system sounds a warning. This function can help prevent damage to the system that is caused by overheating.

### CPU Smart Fan Temperature

This field allows the user to set the temperature so that when the temperature is reached, the smart fan will speed up to cool the CPU temperature.





# MPC 6171

17" Medical Grade Panel PC  
Core 2 Duo embedded system

## Load Fail-Safe Defaults

This option allows you to load the troubleshooting default values permanently stored in the BIOS ROM. These default settings are non-optimal and disable all high-performance features.

## Load Optimized Defaults

This option allows you to load the default values to your system configuration. These default settings are optimal and enable all high performance features.

## Set Supervisor Password

These two options set the system password. Supervisor Password sets a password that will be used to protect the system and Setup utility. User Password sets a password that will be used exclusively on the system. To specify a password, highlight the type you want and press <Enter>. The Enter Password: message prompts on the screen. Type the password, up to eight characters in length, and press <Enter>. The system confirms your password by asking you to type it again. After setting a password, the screen automatically returns to the main screen.

To disable a password, just press the <Enter> key when you are prompted to enter the password. A message will confirm the password to be disabled. Once the password is disabled, the system will boot and you can enter Setup freely.

## Save & Exit Setup

This option allows you to determine whether or not to accept the modifications. If you type "Y", you will quit the setup utility and save all changes into the CMOS memory. If you type "N", you will return to Setup utility.

## Exit Without Saving

Select this option to exit the Setup utility without saving the changes you have made in this session. Typing "Y" will quit the Setup utility without saving the modifications. Typing "N" will return you to Setup utility.

# MPC 6171

17" Medical Grade Panel PC  
Core 2 Duo embedded system

## APPENDIX

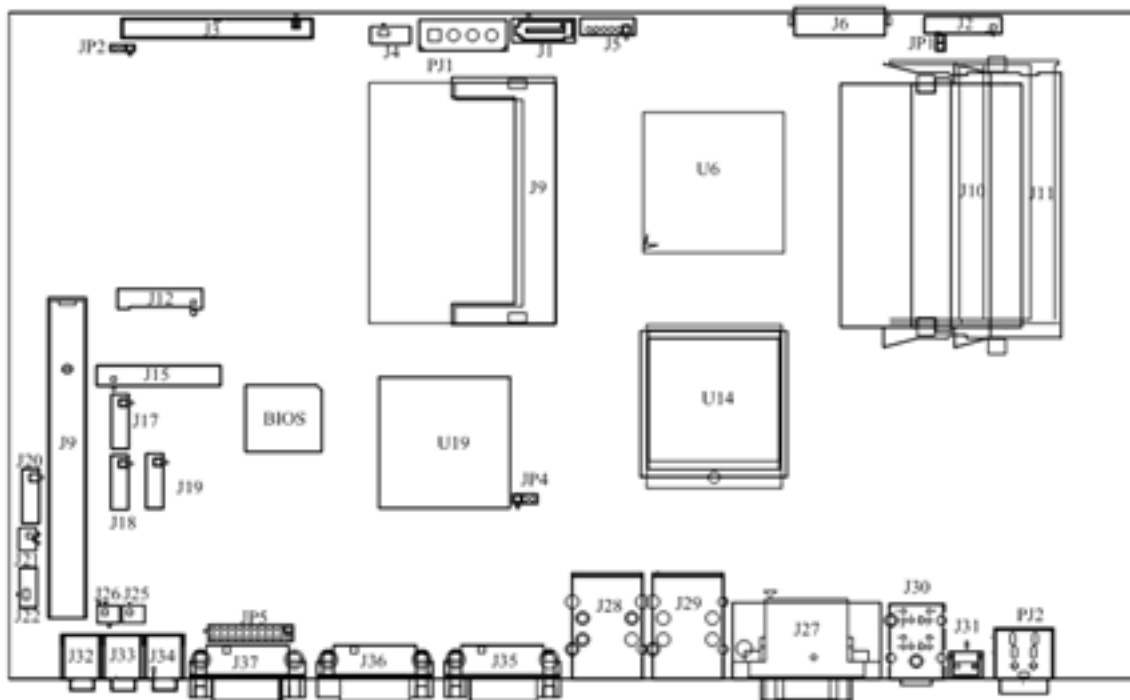
### A. JUMPER SETTINGS AND CONNECTIONS

This appendix gives the definitions and shows the positions of jumpers, headers and connectors. All of the configuration jumpers on MPC6171A/ MPC6171B are in the proper position.

Note: Some of jumpers or connectors will be removed base on system configuration.

#### A-1 Jumper location and list

In general, jumpers on the single board computer are used to select options for certain features. To select any option, cover the jumper cap over (SHORT) or remove (NC) it from the jumper pins according to the following instructions.



# MPC 6171

17" Medical Grade Panel PC  
Core 2 Duo embedded system

## Jumper List

Connector	Function
JP1	Touch Screen Configuration
JP2	CF CSEL#
JP4	CMOS Clear
JP5	COM1 Function Selection

36

WMP-171/172 User's Manual

### JP1- Touch Screen Configuration

Description	ON(Short)	OFF(Open)
Wire	4,8 (default)	5

### JP2 – CF CSEL#

Description	Jumper Setting	Remark
Slave	1-2	
Master	2-3 (default)	

### JP4 – CMOS Clear

Description	Jumper Setting	Remark
Normal	1-2(default)	
CMOS Clear	2-3	

### JP5 –COM1 Function Selection

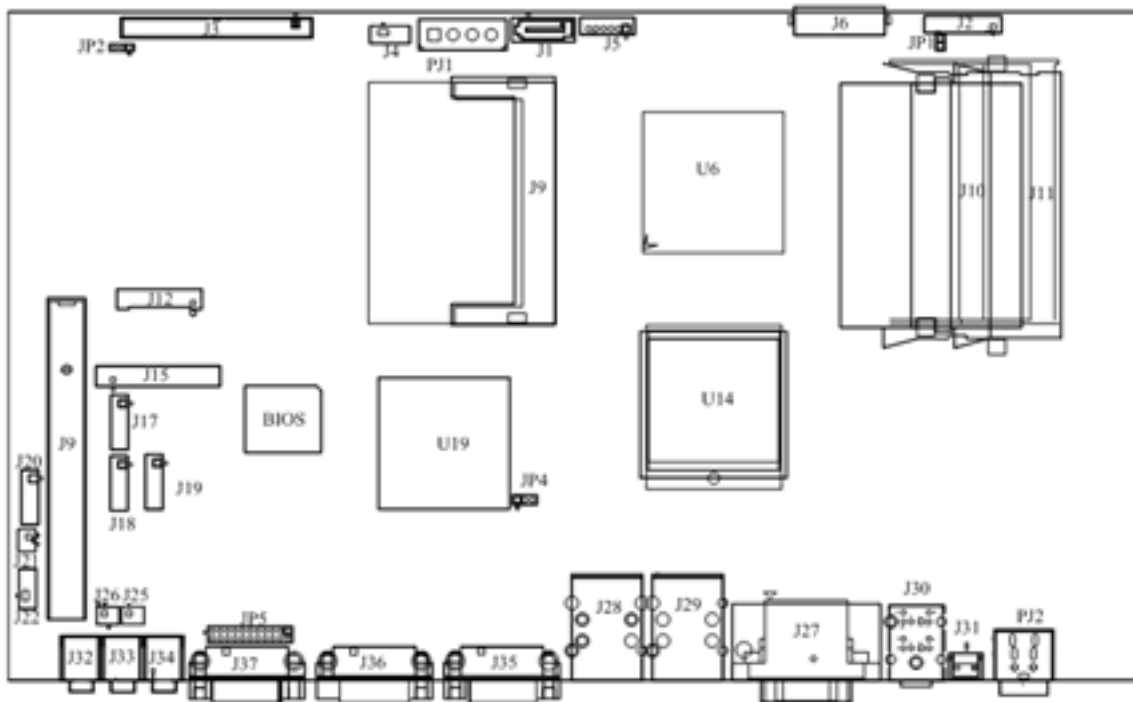
Description	Jumper Setting	Description
RS-232	5-6, 9-11, 10-12, 15-17, 16-18(default)	RS-232
RS-422	3-4, 7-9, 13-15, 14-16, 21-22	RS-422
RS-485	1-2, 7-9, 8-10, 19-20	RS-485

# MPC 6171

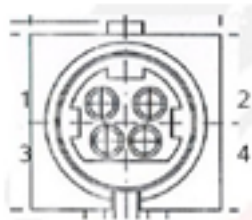
17" Medical Grade Panel PC  
Core 2 Duo embedded system

## A-2 Connectors location and list

The connectors on the PCBA of MPC6171A/ MPC6171B are used to connect external devices such as hard disk drives, printers, keyboard, serial ports, etc. Specifically, the PCBA of MPC6171A/ MPC6171B has the following connectors:



**PJ2-Power Jack connector**



Pin #	Signal Description
1	DC In (+12V~+28V)
2	DC In (+12V~+28V)
3	Ground
4	Ground

**PJ1-HDD power connector**

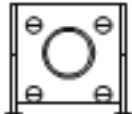
# MPC 6171

17" Medical Grade Panel PC  
Core 2 Duo embedded system

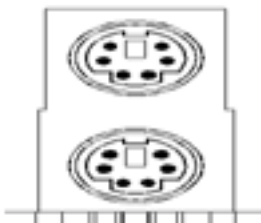


Pin #	Signal Description
1	+12V
2	Ground
3	Ground
4	+5V

## P31- Reset Button



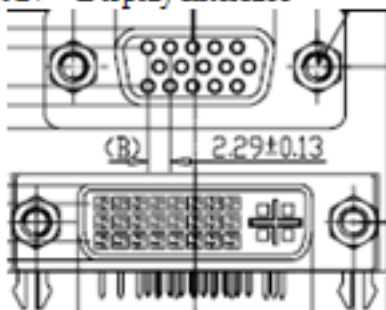
## J30 – KB+MS Connector



Mouse

Keyboard

## J27 – Display Interface



VGA-

**ACNODES**

661 Brea Canyon Rd., Suite 3  
Walnut, CA 91789  
tel: 909.598.7388, fax: 909.598.0218

© Copyright 2011 Acnodes, Inc.  
All rights reserved. Product description and product specifications  
are subject to change without notice. For latest product information,  
please visit Acnodes' web site at [www.acnodes.com](http://www.acnodes.com).

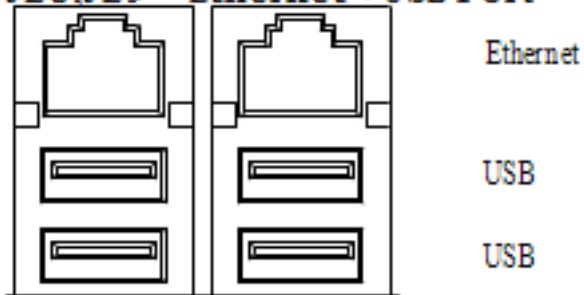
# MPC 6171

17" Medical Grade Panel PC  
Core 2 Duo embedded system

## DVI-

Pin #	Signal Description	Pin #	Signal Description
1	TMDS Data2-	2	TMDS Data+
3	TMDS Data2 Shield	4	NC
5	NC	6	DVI DDC Clock
7	DVI DDC Data	8	
9	TMDS Data1-	10	TMDS Data1+
11	TMDS Data1 Shield	12	NC
13	NC	14	+5V
15	GND	16	Hot Plug Detect
17	TMDS Data0-	18	TMDS Data0+
19	TMDS Data0 Shield	20	CRT DDC Clock
21	CRT DDC Data	22	TMDS Clock Shield
23	TMDS Clock+	24	TMDS Clock-
V1	RED	V2	GREEN
V3	BLUE	V12	DDCDAT
V13	HSYNC	V14	VSHYNC

## J28, J29 – Ethernet + USB Port



## Ethernet-

Pin #	Description
1	Data0+
2	Data0-
3	Data1+
4	Data2+
5	Data2-
6	Data1-
7	Data3+
8	Data3-
LED1	LINK/ACTIVE LED
LED2	SPEED LED



# MPC 6171

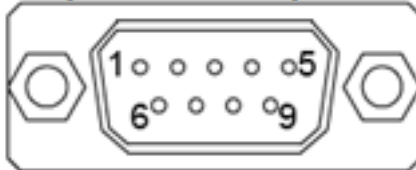
17" Medical Grade Panel PC  
Core 2 Duo embedded system

## USB-

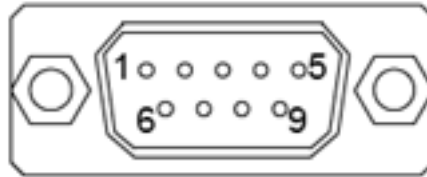
Pin #	Description
1	+5V Power
2	Data -
3	Data +
4	Ground

Pin #	Signal Description
1	DC In (+12V~+28V)
2	DC In (+12V~+28V)
3	Ground
4	Ground

## J35, J36 – COM3, COM2



## J37- COM port 1 (RS-232/RS-422/RS-485)



Pin#	Signal Description		
	RS-232	RS-422	RS-485
1	Carrier Detect	Transmit Data -	Transmit Data -
2	Receive Data	Transmit Data +	Transmit Data +
3	Transmit Data	Receive Data +	N/A
4	Data Terminal Ready	Receive Data -	N/A
5	Ground	Ground	Ground
6	Data Set Ready	N/A	N/A
7	Request to Send	N/A	N/A
8	Clear to Send	N/A	N/A
9	Ring Indicator	N/A	N/A



# MPC 6171

17" Medical Grade Panel PC  
Core 2 Duo embedded system

J33-Audio Line in Connector



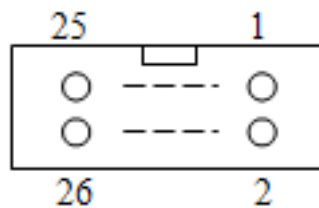
J34-Audio Microphone in Connector



J32-Audio Line out Connector



J15 – Parallel Port (internal)

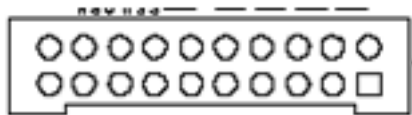


Pin #	Signal Description	Pin #	Signal Description
1	Strobe	2	Autofeed
3	Data Bit 0	4	Error
5	Data Bit 1	6	Initialize
7	Data Bit 2	8	Select In
9	Data Bit 3	10	Ground
11	Data Bit 4		Ground
13	Data Bit 5		Ground
15	Data Bit 6		Ground
17	Data Bit 7		Ground
19	Acknowledge		Ground
21	Busy		Ground
23	Paper End		Ground
25	Select		NC

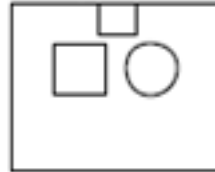
# MPC 6171

17" Medical Grade Panel PC  
Core 2 Duo embedded system

## J12 – GPIO Interface(internal)



## J25, J26 – Passive Speaker Connector



Pin #	Signal Description	Pin #	Signal Description
1	GPO 1	2	GPI 1
3	GPO 2	4	GPI 2
5	GPO 3	6	GPI 3
7	GPO 4	8	GPI 4
9	GPO 5	10	GPI 5
11	GPO 6	12	GPI 6
13	GPO 7	14	GPI 7
15	GPO 8	16	GPI 8
17	+5V	18	+5V
19	Ground	20	Ground

J26(Right Channel)	
Pin #	Signal Description
1	AMP. Out +
2	AMP. Out -

J25(Left Channel)	
Pin #	Signal Description
1	AMP. Out +
2	AMP. Out -

## J3 – Standard (IDE) Connector (internal)

## J9 – Standard Mini-PCI Interface

## J14 – Standard PCI Slot Interface

# MPC 6171

17" Medical Grade Panel PC  
Core 2 Duo embedded system

## J22 – Power/HDD Indicator



Pin #	Signal Description
1	HDD Active Indicator
2	+5V
3	+5V
4	Power indicator(default)

# MPC 6171

17" Medical Grade Panel PC  
Core 2 Duo embedded system

## B. VESA MOUNTING

The MPC6171A/ MPC6171B also provides standard VESA mounting to help system integrators conveniently integrate the panel PC into their system.

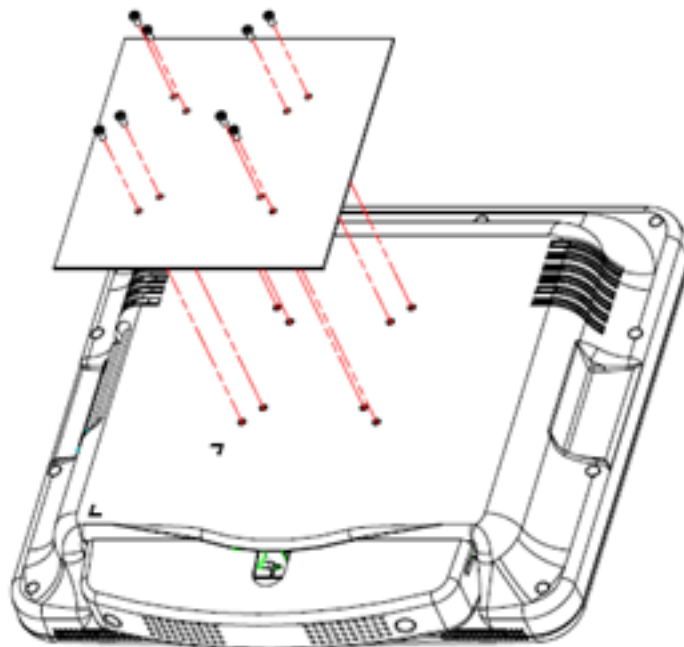
Never use any other mounting brackets except those provided by Wincomm to prevent the unreliable fixing of MPC6171A/ MPC6171. VESA mount installation should be carried out by a professional technician. Please contact the service technician or your retailer if you need this service.

Installation instructions follow:

1. The wall-mounting attachment is comprised of two parts: one back bracket, and one mounting bracket.
2. First attach the back bracket to the rear cover of the MPC6171A/ MPC6171, securing it in place with four of the Phillips-head screws provided.
3. Attach the mounting bracket to the wall or another flat surface. The back bracket slides vertically from the top into the mounting bracket. It can be secured to the mounting bracket by screwing four of the Phillips-head screws provided through the corresponding holes at the tops of the mounting bracket.

Warning:

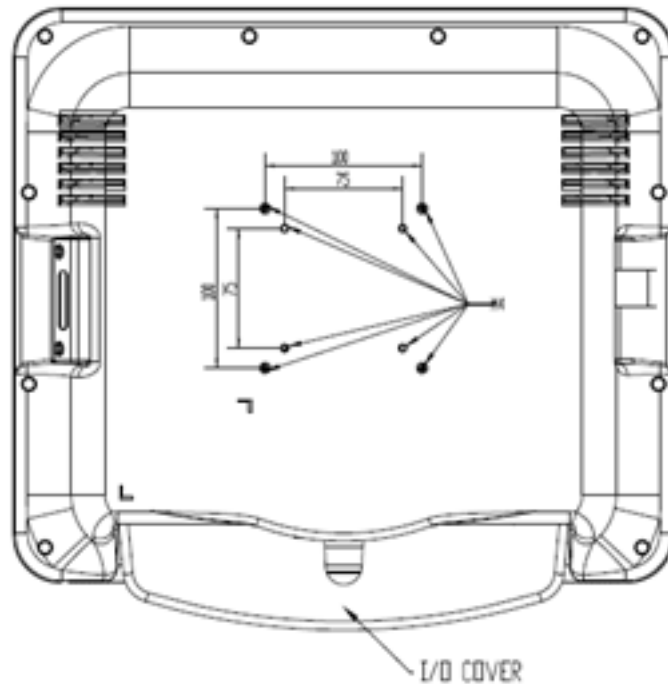
Be sure to secure the screws of the mounting bracket tightly. Injuries could result if the MPC6171A/ MPC6171 isn't properly secured to the mounting bracket.



Screws: M4 x 10mm

# MPC 6171

17" Medical Grade Panel PC  
Core 2 Duo embedded system



**Figure B.1: VESA mounting dimension diagram (75 x 75 mm, 100 x 100 mm)**

## Free Manuals Download Website

<http://myh66.com>

<http://usermanuals.us>

<http://www.somanuals.com>

<http://www.4manuals.cc>

<http://www.manual-lib.com>

<http://www.404manual.com>

<http://www.luxmanual.com>

<http://aubethermostatmanual.com>

Golf course search by state

<http://golfingnear.com>

Email search by domain

<http://emailbydomain.com>

Auto manuals search

<http://auto.somanuals.com>

TV manuals search

<http://tv.somanuals.com>