



KDI 8178

1U Monitor Keyboard

Installation Guide

KDI 8178, 1U 17" monitor keyboard drawer

ACNODES

661 Brea Canyon Rd., Suite 3
Walnut, CA 91789
tel: 909.598.7388, fax: 909.598.0218, www.acnodes.com

© Copyright 2009 Acnodes, Inc.
All rights reserved. Product description and product specifications
are subject to change without notice. For latest product information,
please visit Acnodes' web site at www.acnodes.com.

KDI 8178

1U Monitor Keyboard



1. Connect the included power adapter to IP KVM and switch on. A beep sounds and “BANK No.” LED indicated the current bank status.

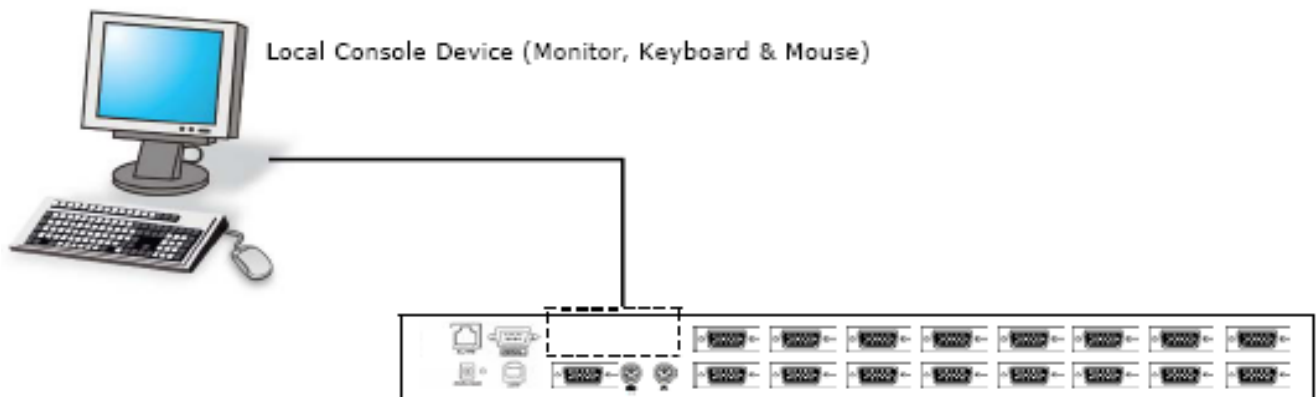
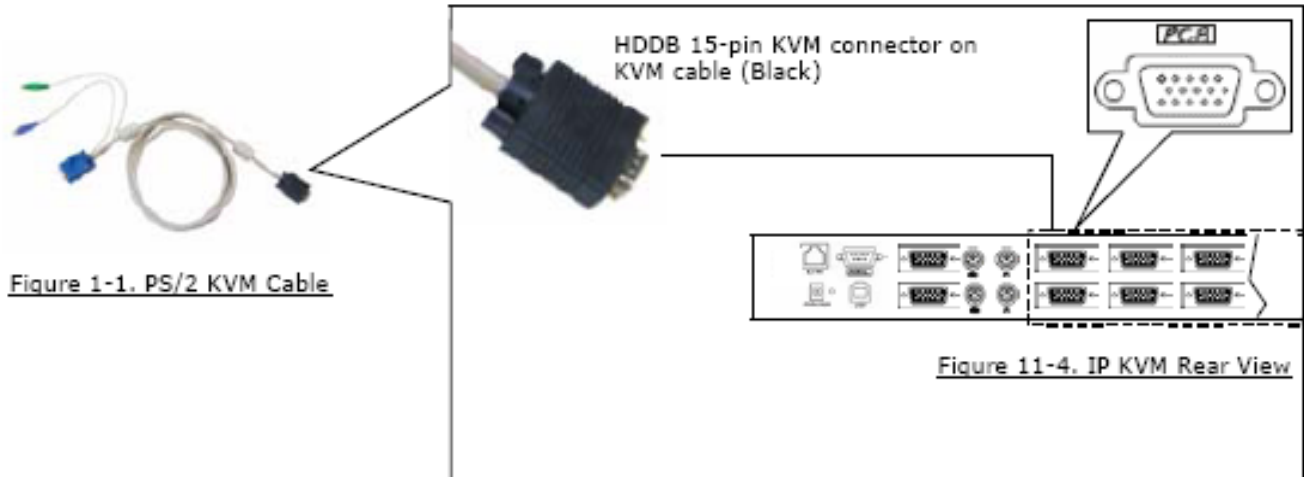


Figure 11-3. IP KVM Rear View

2. Connect the Local Console of KVM to input device and Display Unit.

KDI 8178

1U Monitor Keyboard



3. Connect the IP KVM to your servers up to 16 servers (for KDI 8178 only, serves up to 8 ports).

Free Manuals Download Website

<http://myh66.com>

<http://usermanuals.us>

<http://www.somanuals.com>

<http://www.4manuals.cc>

<http://www.manual-lib.com>

<http://www.404manual.com>

<http://www.luxmanual.com>

<http://aubethermostatmanual.com>

Golf course search by state

<http://golfingnear.com>

Email search by domain

<http://emailbydomain.com>

Auto manuals search

<http://auto.somanuals.com>

TV manuals search

<http://tv.somanuals.com>