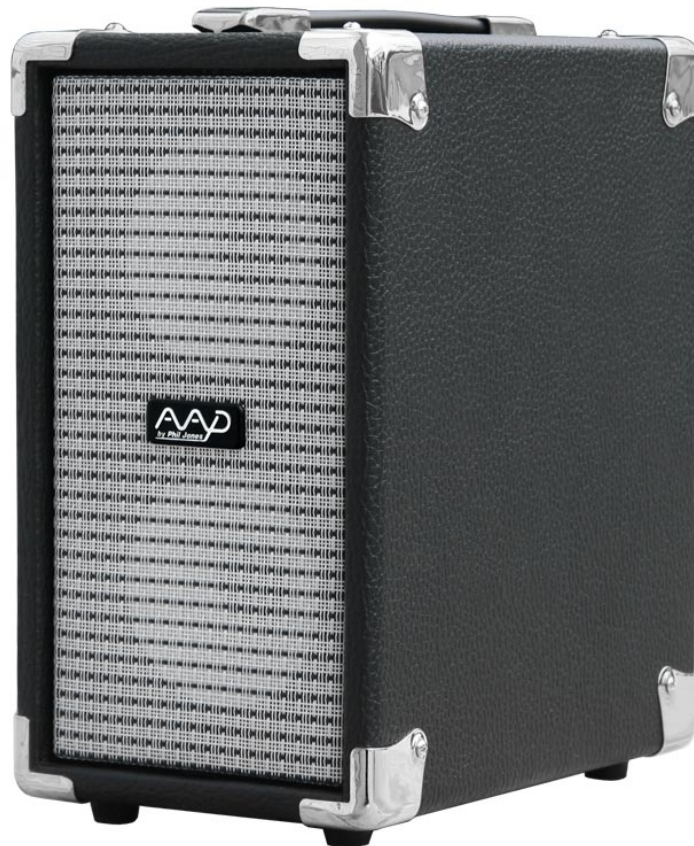




THE CUB



OWNER'S MANUAL

CONTENTS

| | |
|--|---------------|
| Read First | Page 2 |
| General Overview & Introduction | Page 3 |
| Panel Overview | Page 4 |
| Panel Description | Page 5 |
| Operation & Positioning | Page 6 |
| Transporting and storing of the CUB | Page 6 |
| Specifications | Page 7 |
| Service/Warranty information | Page 9 |

Thank you for purchasing the AAD CUB Acoustic Guitar Amplifier. A great deal of dedication and passion went into designing and building this no compromise, high performance compact-combo amplifier. It was conceived to be a dedicated amplifier for the “connoisseur” guitarist. Reading this manual will enable you to get the best performance from it so that you may enjoy many years of service.

READ THIS FIRST

- **Before using the CUB please read ALL the instructions.**
- **On receipt of product, check for any signs of physical damage arising from shipping. If any damage is visible contact your dealer.**
- **Keep all original packing.**
- **Never use this product in the vicinity of water. If the CUB were to get wet, it could kill you by electrocution.**
- **Do not use this amplifier in a way that would compromise its ventilation system. When operating, never cover the heatsink on rear panel.**
- **Do not locate this amplifier near any heat source.**
- **This amplifier must be connected only to a power source specified in this manual.**
- **For safety do not leave the amplifier plugged into a power source for long periods of time when not in use.**
- **Do not let any liquid or foreign objects fall into any openings on the amplifier.**
- **Never use this amplifier if it has:**
 1. **Suffered any physical damage.**
 2. **Been subjected to any liquids, rain or moisture.**
 3. **Damaged cables connected to it.**

If any of the above occurs, the amplifier should be examined by qualified service personnel.

- **Always operate this amplifier with the correctly rated fuse.**
- **Never use this amplifier without proper grounding.**

OVERVIEW OF THE CUB

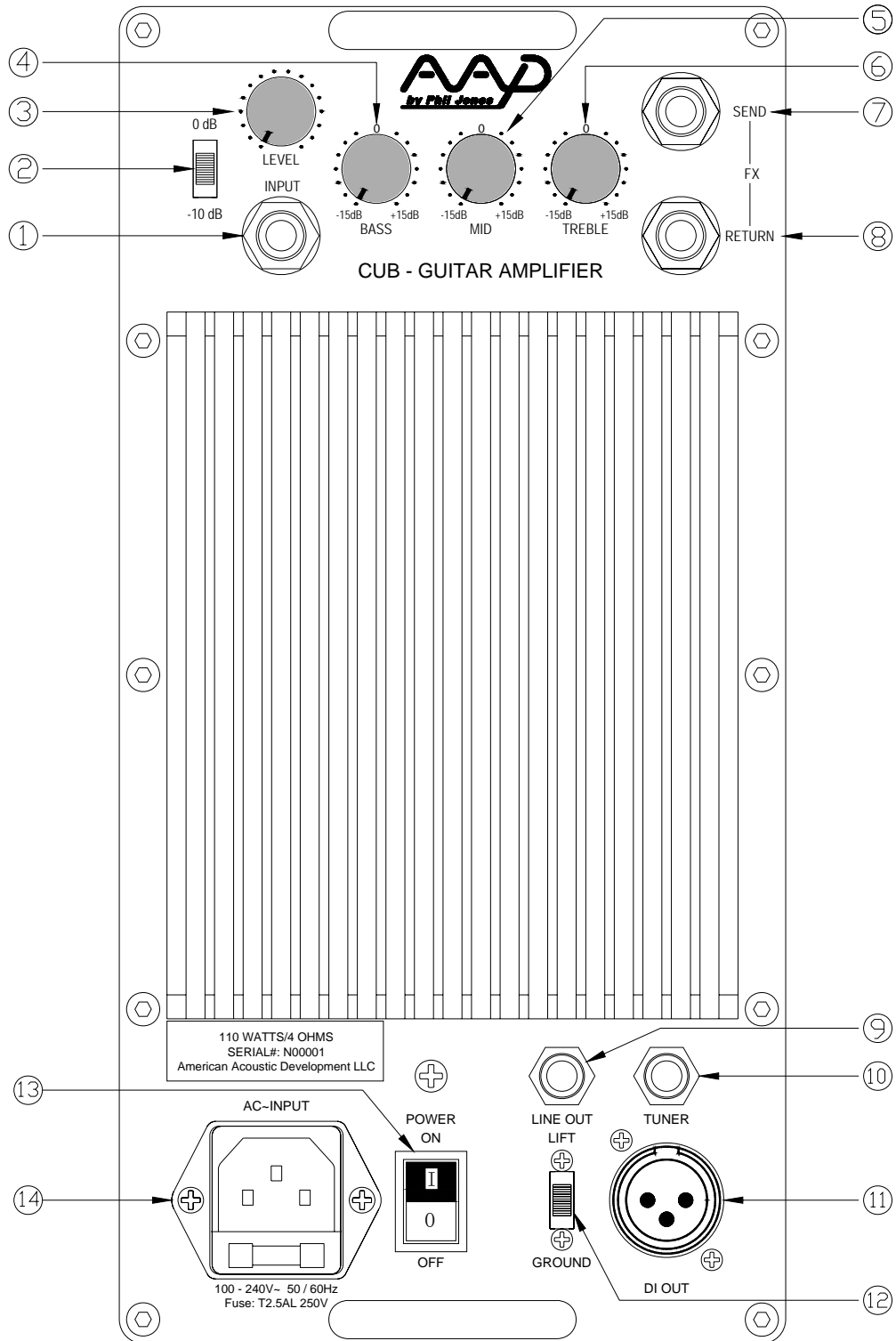
The CUB is not your usual combo amp. On first appearance it may be mistaken for what it is because of its diminutive size. Don't let this fool you, this is a very high performance amplifier designed to give the utmost fidelity for acoustic guitar or any other lead musical instrument where clean sound and absolute fidelity are paramount. AAD has pushed the envelope in creating what is the smallest serious guitar amplifier currently available.

Rather than cram it with gimmicky features to enhance marketing, we decided to go all out on making the best small amplifier money can buy. Nothing this small, with this performance has ever been created before. To the working musician this amplifier will not only give sound quality beyond expectations but in practical terms of transportation and storage; this amplifier will be invaluable.

FEATURES

- Switchable high impedance/high gain input OR low impedance/low gain stage.
- 3 Band EQ designated for guitar.
- FX Send Return sockets.
- Tuner out.
- Pre-amp Output.
- Balanced Line Output with ground lift.
- Smart power sensing that allows amplifier to work on any AC voltage worldwide. Just plug in, no switching required.
- Sophisticated amplifier protection circuitry
- Special "Soft-Clipping" 100watt Amplifier
- Ultra low noise pre amplifier circuit.

PANEL OVERVIEW



PANEL DESCRIPTION

1. Input Socket

Accepts standard mono ¼ inch guitar instrument cable.

2. Input level switch

This switches the input sensitivity. 0db with passive pickups or -10dB: output from an additional pre amp.

3. Level Control

Controls volume of amplifier.

4. Bass Control.

5. Mid Range Control

6. Treble Control

7. FX Send

Connect the FX send to auxiliary FX unit input.
This can also be used as an additional line out if necessary.

8. FX Return

Connect the FX Return to auxiliary FX unit output.

9. Line Out

These are used for driving a second amplifier.

10. Tuner Out

Connect to instrument tuner. This output can also be used as an additional line out.

11.XLR Balanced Line Out.

This is an ultra-low impedance (200ohm) balanced line out for use with recording or PA mixing consoles.

12. Ground lift Switch

When there is a difference in grounding between audio equipment, it can cause what is known as a ground loop. This will cause an audible hum or buzz through the speakers or main PA speakers. Using this switch will break the ground loop and therefore eliminate any hum.

13. AC Power On/Off Switch.

14. AC Power input and AC fuse holder.

Connects the amplifier to AC power supply. Always use a grounded plug and make sure

the AC cable is more than 3A rating at 250-volt AC. If you require a longer AC power cord, we recommend you use the AAD heavy-duty 20 foot power cords. These are available as an accessory. Use a slow blow $\frac{3}{4}$ inch fuse rated at 2.5 amps.

OPERATION & POSITIONING

TURN THE VOLUME DOWN on the CUB before plugging in your instrument.

Positioning the CUB for Best Sound

It is recommended that you place the cub on a solid object or dedicated stand for best sound and projection. Do not place on a high microphone stand as it will be unstable and easily topple over.

TRANSPORTING AND STORING THE CUB

When transporting in a vehicle, it is recommended that you use an external case or heavy-duty cover to prevent it being damaged by falling over or other objects falling on it. The Cub has an optional padded carrying bag as an available accessory.

When Storing:

- Keep the CUB in a dry location preferably at room temperature.
- Do not store the CUB in temperatures below -20 Degrees C or above 40 Degrees C.
- Do not allow it to get wet. If this occurs, never turn it on in this condition.
- Do not leave the CUB connected to a power source for long periods of time.

SPECIFICATIONS

Speaker

Computer Optimized Enclosure

Speaker Frequency Response: 80Hz –15KHz

Speaker Compliment: 2x 5inch proprietary NEO-POWER, extended-range drivers

Speaker Sensitivity: 95dB/W/M

Internal Speaker Impedance: 4 Ohms

Dimensions (HxWxD): 170x300x320mm

6.5x11.8x12.5inch

Weight: 5.2 Kg / 11.5 Lbs

Amplifier

PJB 100watt Solid State class AB amplifier with soft clip feature

Signal to Noise Ratio

Better than 95 dB

Impedance

0dB Input: >4M Ω /22pF

-10dB Input: >100K Ω /22pF

Pre Amp Out: < 2K Ω

Bal. Line Out: <200 Ω

Levels

0dB Input: 10mV-2.5V

-10dB Input: 20mV-5V

Pre Amp Out: 1.2V

FX send: 250mV

Bal. Line Out: Typical 100mV

Protection Circuits

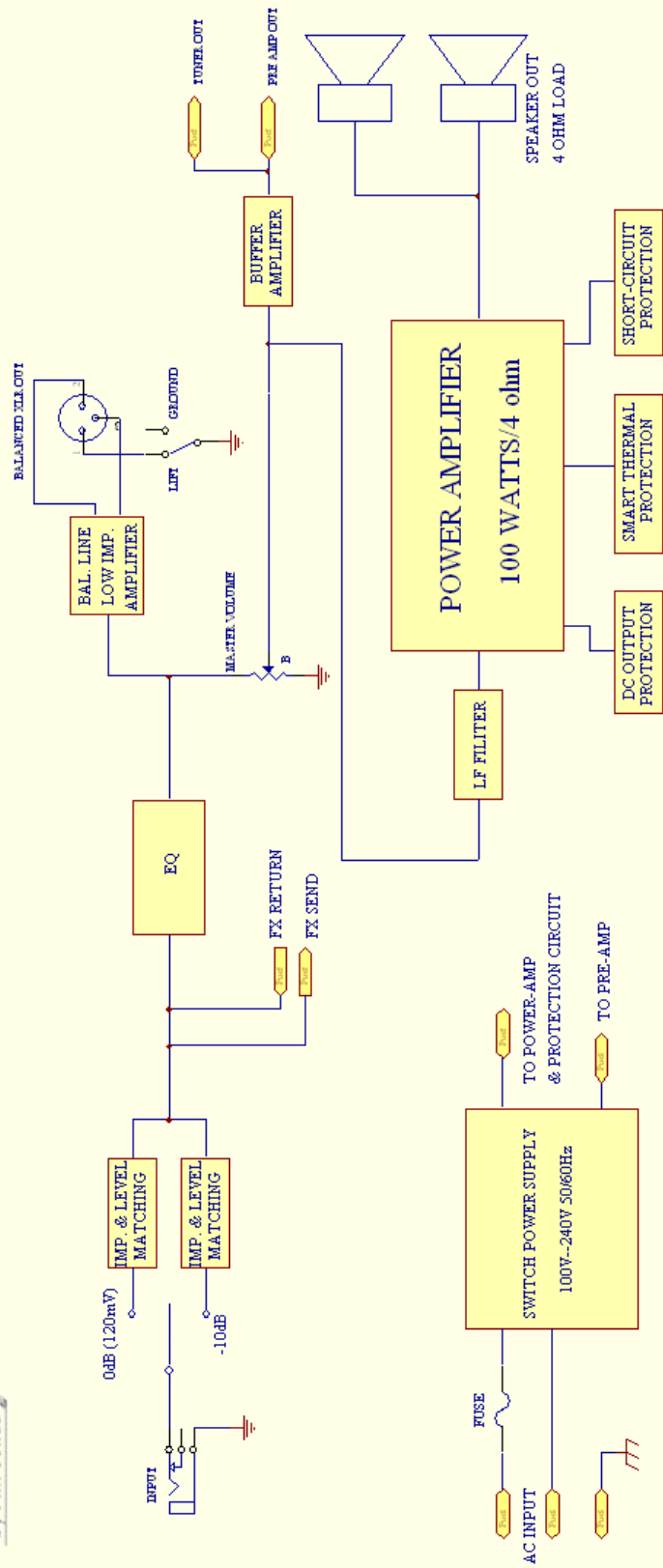
1. AC line filter.
2. Slow-blow Fuse: 2.5A / 250V.
3. Smart Thermal Protection: auto turn down the output power to about 50% when the heat sink temperature over 65° C.
4. Loudspeaker Short-Circuit Protection.
5. DC Output Protection.

Included Parts

12 ft AC Power Cord



CUB AG-100 Acoustic Guitar Amplifier



SERVICE/WARRANTY INFORMATION

The CUB has a warranty period of 2 years, starting from the date of purchase. The buyer must complete and return the enclosed warranty card within 14 days of purchase.

This warranty covers defect in materials or workmanship that occurs in normal use. Within warranty period AAD will repair or replace the defect unit free of labor and parts charge. It is the buyer's responsibility to use the unit strictly according to instructions written in this manual and amplifier manual.

This warranty is not transferable; it is provided to original owner only. Damage/defects caused by the following conditions are not covered by this warranty:

- Improper handling, neglect or failure to operate the unit in compliance with the instructions given in user manual;
- Connection or operation of the speakers in any way that does not comply with the technical or safety regulations applicable in the country where the product is used;
- Repairs or modifications by anyone other than authorized AAD service agent;
- Damages/defects caused by force majeure or any other condition that is beyond the control of AAD.

Should you need any warranty service, please bring the **CUB** back to the dealer from whom you purchased, along with your sales receipt. Depending on the complexity of the repair work, your dealer may return the defect unit to AAD service center for repair or replacement.

American Acoustic Development LLC

8559 Page Avenue St. Louis, MO 63114 USA

Phone: 314 814 3383 or 314 814 1264 Fax: 314 628 9941

www.aadsound.com

support@aadsound.com

Free Manuals Download Website

<http://myh66.com>

<http://usermanuals.us>

<http://www.somanuals.com>

<http://www.4manuals.cc>

<http://www.manual-lib.com>

<http://www.404manual.com>

<http://www.luxmanual.com>

<http://aubethermostatmanual.com>

Golf course search by state

<http://golfingnear.com>

Email search by domain

<http://emailbydomain.com>

Auto manuals search

<http://auto.somanuals.com>

TV manuals search

<http://tv.somanuals.com>