

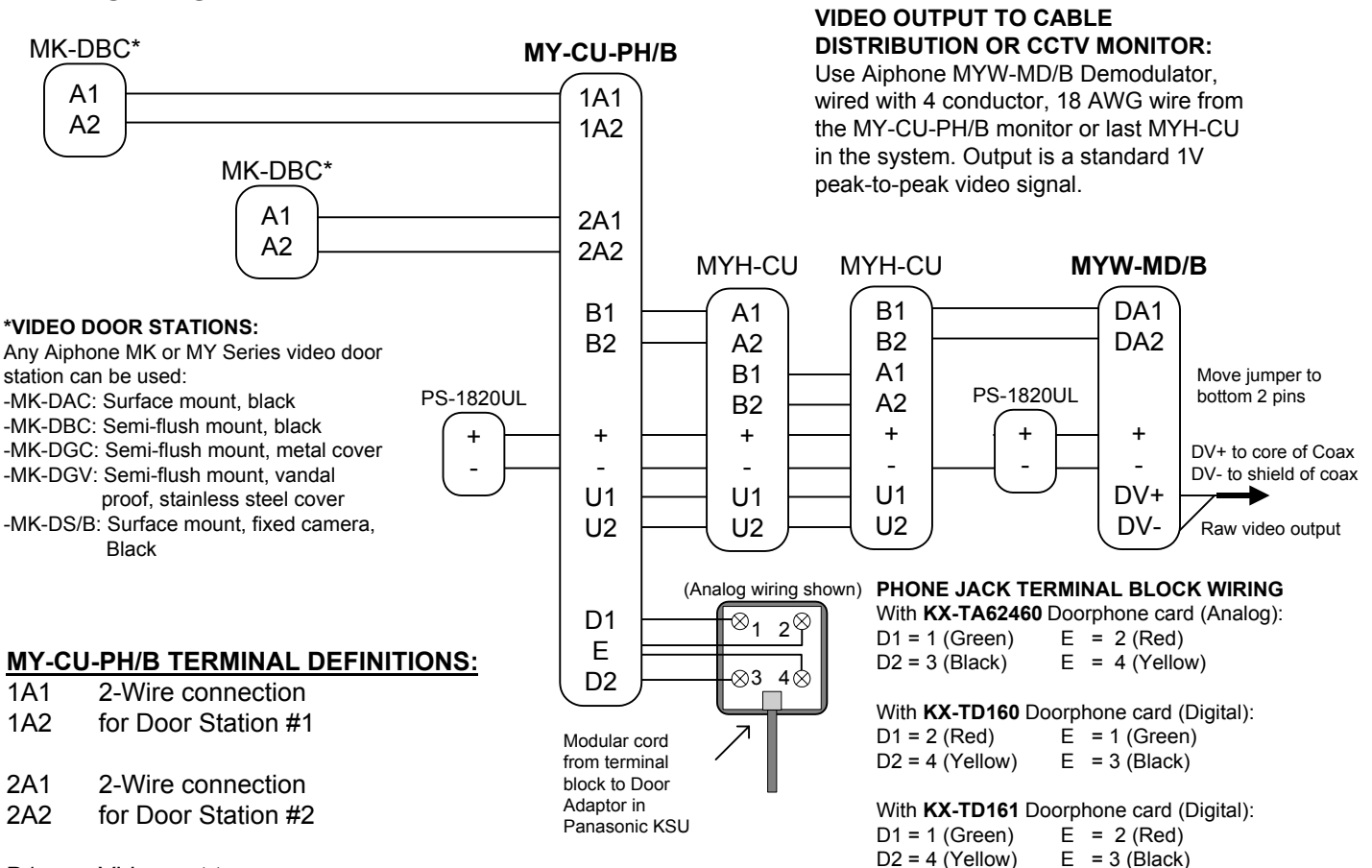
MY-CU-PH/B Video Monitor

MK Video Door Answering with Panasonic® Phone System

- INSTRUCTIONS -

This monitor allows one or two MK video door stations to be used for video door answering, where the communication is through a Panasonic® telephone system and the video appears on the Aiphone monitor(s). The MY-CU-PH/B integrates MK PanTilt door stations with Panasonic's KX-T series systems. (Works with KX-TA Advanced Hybrid series and KX-TD Digital Super Hybrid series.)

WIRING DIAGRAM:



SPECIFICATIONS:

Power Source: 18V DC.
Use one PS-1820UL for every three monitors.
Consumption: MY-CU-PH/B Standby: 0.12A; Max. 0.9A
MYH-CU Standby: 0A; Max. .4A
Communication: Through Panasonic® Telephone system
Hands free at door station
Calling: Monitors activate and Panasonic phones ring
Video Monitor: 4" direct view flat CRT
Scanning lines: 525 lines
Dimensions (HxWxD): 8-14" x 6" x 2"
Weight: MY-CU-PH/B: 2.2 lbs.
MYH-CU: 1.98 lbs

OPERATIONS:

RECEIVING A CALL FROM THE DOOR STATION:

1. When the door station button is pressed, the MY-CU-PH/B and any additional monitors come on and the telephones ring, indicating a call from the door.
2. To answer the call, simply pick up the telephone at any extension. The visitor speaks hands free.
3. If the handset isn't picked up, the monitor will turn off automatically in approximately 45 seconds. If the call is answered, the monitor will turn off when the handset is hung up.
4. If there are two door stations in the system, a phone with an LCD readout will indicate which door is calling in, and the view from the calling door will be seen on the monitors. When any handset is picked up, the communication will be established with the calling door station location.

MONITORING FROM INSIDE

1. To view outside from the monitor, press the MONITOR button. The video door station angle can be adjusted to view a wider area with the PanTilt control pad. (Overall viewing range of the MK series cameras is 70" x 35".) To turn the monitor off, press MONITOR again, or it will automatically turn off in approximately 2-½ minutes.
2. If two video door stations are included in the system, pressing the MONITOR button once activates camera #1, twice activates camera #2, and a third time turns the monitor off.
3. To establish two way communication with the door station from inside, pick up the handset or press "speakerphone", and dial the door station number (intercom 31 or 32). The monitor will also come on with a view of the entry area when the door is called from a phone. The monitor will stay on for approximately 2-½ minutes, or until the communication is completed.

VIDEO OUTPUT TO CABLE DISTRIBUTION OR CCTV MONITOR:

(Output from MYW-MD/B is standard 1V, peak to peak video.)

1. For video output on the system, use the MYW-MD/B Demodulator. The output can be wired with coaxial cable to a multiplexing system, or into a standard monitor input. If connecting into a television input, an RF modulator is required (Not supplied by Aiphone).
2. When the MY-CU-PH/B monitor is on, the video signal will be present.
3. When a call is heard from a door station, the TV can be changed to the channel that the door camera is assigned to, and a view of the entry area will be seen. Simply pick up the phone to speak to the visitor while viewing the TV.

AUDIO ONLY DOOR STATION:

1. The Panasonic® phone system allows two door stations to be included. When a second "audio only" door station is required, use the Panasonic® audio door station. The call-in and communication functions are the same as described above.

WIRING:

	# of wires	Gauge	Distance	Aiphone Wire #
MK Door station to MY-CU-PH/B	2 cond.	18	330'	841802
MY-CU-PH/B to KSU	2 c. per door	22 or 18	500'	822202, 841802
MY-CU-PH/B to MYH-CU	6 cond.	18	245'	841806
Monitor to MYW-MD/B	4 or 6 cond.	18	245'	841806
PS-18C to MY-CU-PH/B	2 cond.	18	16'	841802

COMPATIBILITY:

The MY-CU-PH/B Video door answering monitor interfaces with selected Panasonic® phone systems.

Compatible with:

- KX-TA62460 Doorphone card.
- KX-TD160 Doorphone card.
- KX-TD161 Doorphone card.

Aiphone Communication Systems
1700 130th Ave. N.E.
Bellevue, WA 98005
(425) 455-0510
FAX (425) 455-0071

TOLL FREE TECHNICAL SUPPORT:

(800) 692-0200

TOLL FREE FAX LINE:

(800) 832-3765

E-MAIL: tech-serv@aiphone.com

Pg. 2
MY-CU-PH/B Instr.
0703bkjs

Free Manuals Download Website

<http://myh66.com>

<http://usermanuals.us>

<http://www.somanuals.com>

<http://www.4manuals.cc>

<http://www.manual-lib.com>

<http://www.404manual.com>

<http://www.luxmanual.com>

<http://aubethermostatmanual.com>

Golf course search by state

<http://golfingnear.com>

Email search by domain

<http://emailbydomain.com>

Auto manuals search

<http://auto.somanuals.com>

TV manuals search

<http://tv.somanuals.com>