

IMPORTANT INSTRUCTIONS - OPERATING MANUAL

Models: AIK14X, AIK16X, AIK24Y, AIK26Y,
AIF4X, AIF6Y, AIF8X, AIF10X,
AIG4, AIG6



In-Line Exhaust Fan

READ AND SAVE THESE INSTRUCTIONS

READ CAREFULLY BEFORE ATTEMPTING TO ASSEMBLE, INSTALL, OPERATE OR MAINTAIN THE PRODUCT DESCRIBED. PROTECT YOURSELF AND OTHERS BY OBSERVING ALL SAFETY INFORMATION. FAILURE TO COMPLY WITH INSTRUCTIONS COULD RESULT IN PERSONAL INJURY AND/OR PROPERTY DAMAGE!

RETAIN INSTRUCTIONS FOR FUTURE REFERENCE.

GENERAL SAFETY INFORMATION

When using electrical appliances, basic precautions should always be followed to reduce the risk of fire, electric shock and injury to person, including the following:

WARNING: DO NOT CONNECT POWER SUPPLY UNTIL FAN IS COMPLETELY INSTALLED. MAKE SURE ELECTRICAL SERVICE TO THE FAN IS LOCKED IN OFF POSITION.

1. Read all instructions before installing or using exhaust fan.
2. Use this unit only in the manner intended by the manufacturer. If you have questions, contact the manufacturer.
3. Before servicing or cleaning the unit, switch power off at service panel and lock the service disconnecting means to prevent power from being switched on accidentally. When the service disconnecting means cannot be locked, securely fasten a prominent warning device, such as a tag, to the service panel.
4. Installation work and electrical wiring must be done by qualified person(s) in accordance with all applicable codes and standards, including fire-related construction.
5. Sufficient air is needed for proper combustion and exhausting of gases through the flue (chimney) of fuel burning equipment to prevent back drafting. Follow the heating equipment manufacturer's guideline and safety standards such as those published by the National Fire Protection Association (NFPA) and the American Society for Heating, Refrigeration, and Air Conditioning Engineers (ASHRAE), and the local code authorities.
6. When cutting or drilling into wall or ceiling, do not damage electrical wiring and other hidden utilities.
7. Ducted fans must always be vented to the outdoors.
8. To avoid motor bearing damage and noisy and/or unbalanced impellers, keep drywall spray, construction dust, etc. off power unit.
9. Acceptable for use over a bathtub or shower when installed in a GFCI protected branch circuit.
10. Suitable for use with solid-state speed control.
11. This unit has rotating parts and safety precautions should be exercised during installation, operation and maintenance.
12. Guards must be installed when fan is within reach of personnel or within seven (7) feet of working level or when deemed advisable for safety.
13. NEVER place a switch where it can be reached from a tub or shower.
14. Do not insert or allow fingers or foreign objects to enter the motor.

WARNING: DO NOT USE IN KITCHENS

CAUTION: FOR GENERAL VENTILATING USE ONLY. DO NOT USE TO EXHAUST HAZARDOUS OR EXPLOSIVE MATERIALS AND VAPORS.

SAVE THESE INSTRUCTIONS

INSTALLATION INSTRUCTIONS

CAUTION: MAKE SURE POWER IS SWITCHED OFF AT SERVICE PANEL BEFORE STARTING INSTALLATION.

SECTION 1

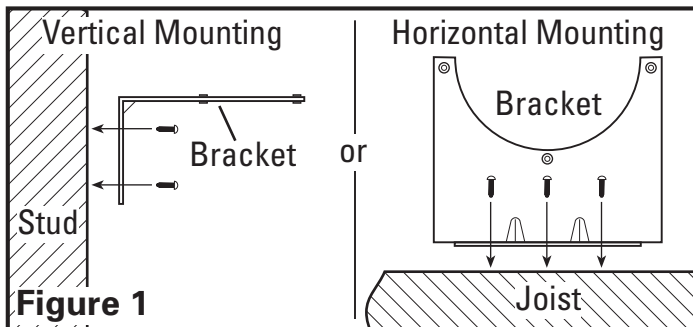
Preparing for Fan Installation

- When selecting fan mounting location, the following criteria should be considered:
 - Mounting to minimize noise generated by fan operation:** Mounting the fan as far as possible from the intake point will minimize fan operating noise from being transmitted back through the duct work. If the fan is to be used as a booster for moving the air between two rooms, a central point along the duct may be optimal. Insulated flexible type duct work (recommended for all bathroom exhaust applications) will result in much quieter operation. It is recommended that a minimum 8' of insulated flexible ducting be used between any exhaust grill and fan for low noise level.
 - Service accessibility:** Fan location should allow sufficient access for service.

SECTION 2

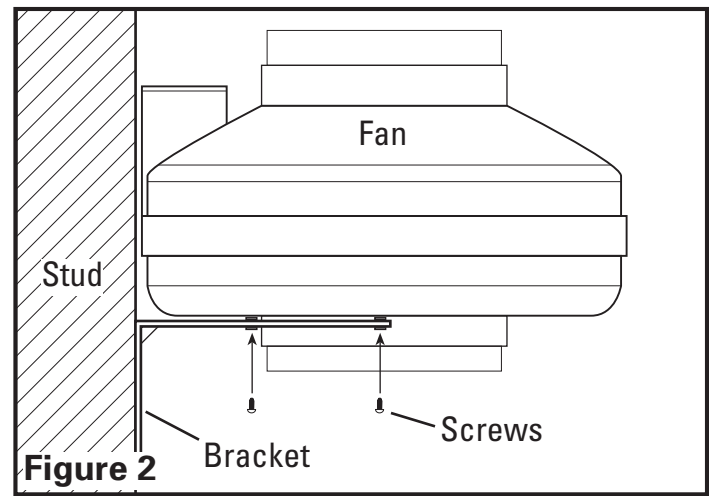
Installing the Fan

- Using the 1" wood screws provided, attach the fan mounting bracket to a support beam at the selected location (**Figure 1**).



NOTE: Fan mounting can be at any point along the duct and in any angle, however, vertical mounting is recommended to reduce condensation buildup in the fan. If a horizontal installation is necessary and condensation buildup may pose a problem, wrap insulation around the fan to minimize buildup.

- Attach fan to the mounting bracket with the three 7/16" sheet metal screws provided, making sure the wiring box is positioned for easy access (**Figure 2**).

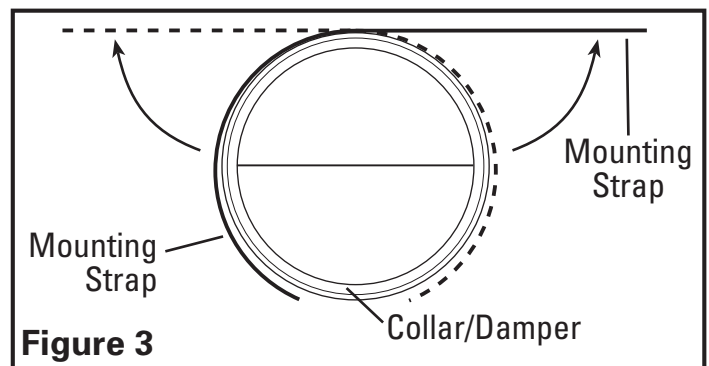


NOTE: Bracket is provided with rubber vibration isolation grommets to prevent the transmission of sound through the structure. Be careful not to over tighten. Also, care should be taken not to strip the plastic housing. Screws are self tapping and do not require pilot holes. Pilot holes no larger than 1/16" can be used to ease the installation however.

SECTION 3

Installing Supply/Exhaust Grill

- Select the grill mounting point within the area to be ventilated that does not interfere with a ceiling joist. To ease installation, locations of framing beams within the walls or joists supporting the ceiling should be considered. Collar/damper is provided with a perforated hanging strap for attachment directly to a beam or joist. Allow sufficient space between the collar/damper and the beam to attach the duct work. If the location of the grill does not allow direct attachment, a cross-member mounted to the framing should be used.
- Bend the mounting straps attached to the collar outward so they are straight across (**Figure 3**).



SECTION 4

New Construction

- Install the collar/damper in the selected location using the provided 1" wood screws through the mounting strap. The mounting height is determined by the thickness of the final wall/ceiling material. Ensure that the edge of the collar/damper will be flush with the finished wall/ceiling material (**Figure 4**).

SECTION 6

Ducting

CAUTION: ALL DUCTING MUST COMPLY WITH LOCAL AND NATIONAL BUILDING CODES.

NOTE: Insulated ducting is required for bathroom exhaust applications, where ducting passes through unconditioned space or where noise is a factor. Failure to use insulation could result in excessive condensation buildup within the duct, and undesirable sound levels within the room. Duct runs should have as few bends as possible.

NOTE: Flexible insulated ducting may be used where allowed by local code. For the quietest possible installations, it is recommended a minimum of 8' of insulated flexduct be used between any exhaust grill and fan. When using flexible type duct work, duct should be stretched as tight and straight as possible. Failure to do so could result in dramatic loss of system performance. Flexible duct should be connected to the fan with screw clamps or duct tape. All connections should be as airtight as possible to maximize system performance.

1. Connect one end of the ducting (not included) to the room level collar/damper and the other end to the "Y" transition. Secure both ends in place using tape or a screw clamp to create as air tight a seal as possible. Repeat this step for the other room level grill housing (**Figure 7**).

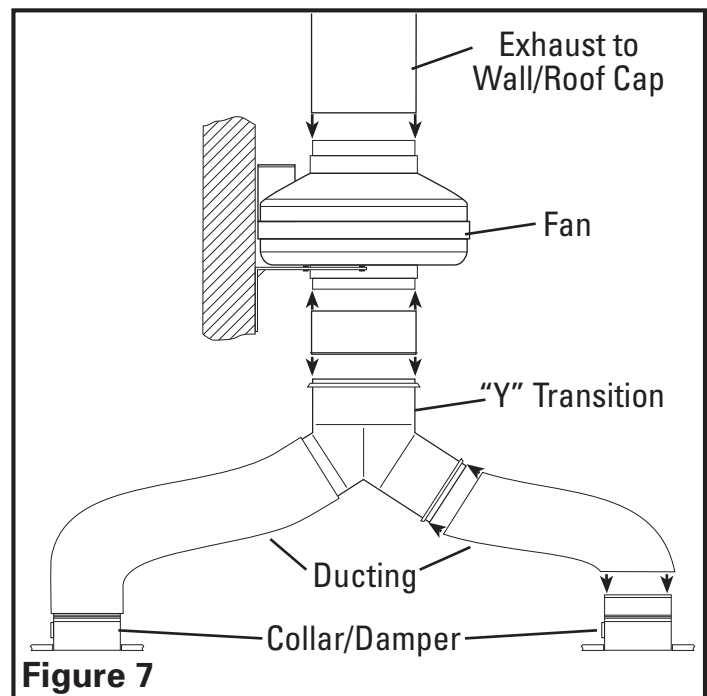


Figure 7

NOTE: Units that include only one collar do not utilize the "Y" transition. Follow the same instructions as in step 1, except connect the one end of the ducting directly to the fan.

2. Connect one end of the ducting to the top of the "Y" transition and the other end to the intake of the fan (**Figure 7**).
3. Connect one end of the ducting to the exhaust of the fan and the other end to a wall or ceiling cap (**Figure 7**). Always duct the fan to the outside through a wall or roof cap.

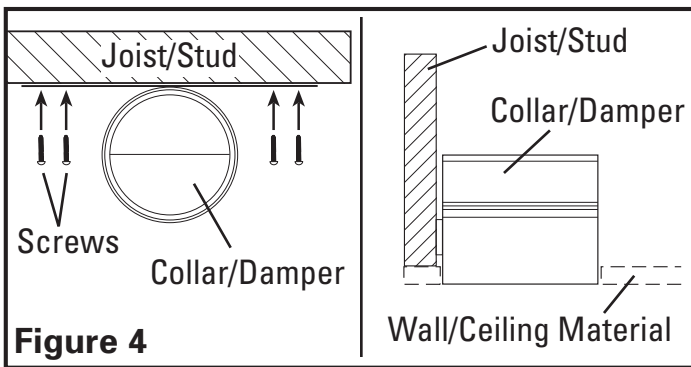


Figure 4

2. Once the wall/ceiling material is in place, install the grill into the collar by pushing it firmly inward towards the collar until it fits flush against the wall/ceiling material (**Figure 5**).

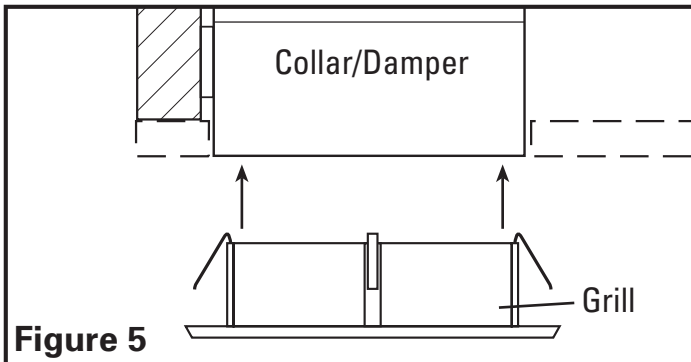


Figure 5

SECTION 5

Existing Construction

1. Place the collar/damper in the selected location and trace a circle onto the surface. From the interior side of the room, cut through the surface. Please note: Take care not to damage the ceiling and make a smooth cut (**Figure 6**).

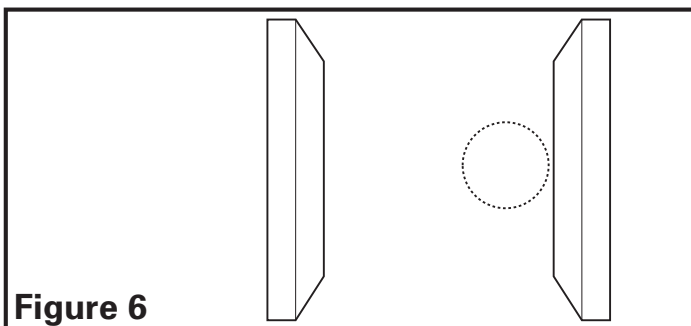


Figure 6

2. Position the collar/damper in the previously cut hole so that it is flush with the finished ceiling and secure to the joist/stud using the provided 1" wood screws through the mounting strap (**Figure 4**).
3. Install the grill into the collar by pushing it firmly inward towards the collar until it fits flush against the wall/ceiling material (**Figure 5**).

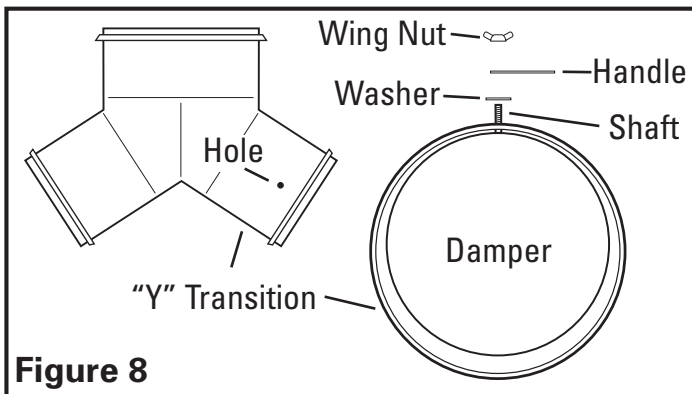
NOTE: When using insulated flex duct, it is recommended that the inner vinyl core be screw clamped or taped to the inlet and outlet and that the vapor barrier surrounding the insulation be taped to the fan housing.

NOTE: When attaching flex duct to the collar/damper combination and an immediate elbow is necessary, be certain that the elbow is installed with a "soft" bend to allow damper blades to operate properly.

SECTION 7 Installing Optional Balancing Damper

Some kits include an optional balancing damper to allow for adjustment of the system. The damper may be used where the grills will be connected using branches of unequal length or where the flow will need to be balanced for any reason. To install the optional damper:

1. The damper must be installed on the branch with the least restriction. This is generally the duct that is shortest or has the fewest bends.
2. Drill a 5/16" hole approximately 1-1/2" from the edge on the flat side of the "Y" transition.
3. Insert the shaft of the damper into the hole drilled in step 2. Place the washer, handle, then wing nut onto the shaft (**Figure 8**).



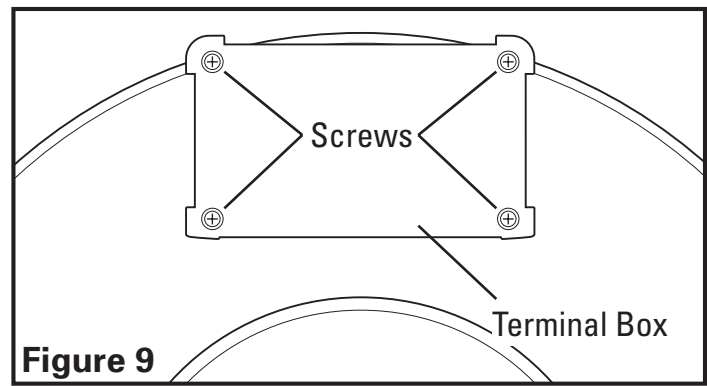
4. Adjust the damper to balance airflow and tighten the wing nut to secure.

SECTION 8 Wiring the Fan

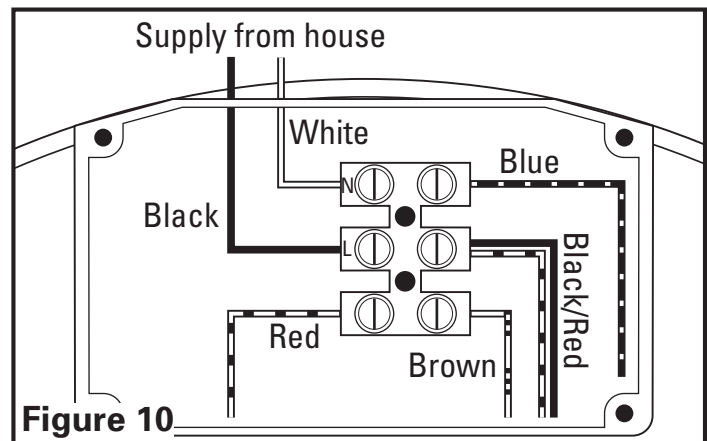
CAUTION: MAKE SURE POWER IS SWITCHED OFF AT SERVICE PANEL BEFORE STARTING INSTALLATION.

CAUTION: ALL ELECTRICAL CONNECTIONS MUST BE MADE IN ACCORDANCE WITH LOCAL CODES, ORDINANCES, OR NATIONAL ELECTRICAL CODE. IF YOU ARE UNFAMILIAR WITH METHODS OF INSTALLING ELECTRICAL WIRING, SECURE THE SERVICES OF A QUALIFIED ELECTRICIAN.

1. Remove the screws securing the terminal box cover plate located on the side of the motor (**Figure 9**).



2. Run wiring from an approved wall switch carrying the appropriate rating. One neutral (white) and one hot (black lead connected to the switch). Secure the electrical wires to the housing with an approved electrical connector. Make sure you leave enough wiring in the terminal box to make the connections to the fan's pre-wired electrical terminal strip.
3. Insert the white wire from the house into the terminal strip port labeled "N" and tighten using a small regular screwdriver. Insert the black wire from the wall switch into the terminal strip port labeled "L" and tighten using a small regular screwdriver. Since the motor is isolated within a plastic housing, grounding is not necessary (**Figure 10**).



4. Check to make sure all wire connections are securely fastened to the terminal strip and replace the fan terminal box cover.
5. Restore power and test your installation.

SECTION 9 Use and Care

CAUTION: MAKE SURE POWER IS SWITCHED OFF AT SERVICE PANEL BEFORE SERVICING THE UNIT.

1. **Cleaning the Grill:** Remove grill and use a mild detergent, such as dishwashing liquid, and dry with a soft cloth. NEVER USE ANY ABRASIVE PADS OR SCOURING POWDERS. Completely dry grill before reinstalling. Refer to instructions in Step 2 of **Section 4**, to reinstall grill.
2. The fan's bearings are sealed and provided with an internal lubricating material, no additional lubrication is necessary.

Troubleshooting Guide

Trouble	Probable Cause	Suggested Remedy
1. Fan does not operate when the switch is on.	1a. A fuse may be blown or a circuit tripped. 1b. Wiring is not connected properly. 1c. Motor has stopped operating.	1a. Replace fuse or reset circuit breaker. 1b. Turn off power to unit. Check that all wires are connected. 1c. Replace motor.
2. Fan is operating, but air moves slower than normal.	2a. Obstruction in the exhaust ducting. 2b. Speed control not set high enough. 2c. Incorrect wiring.	2a. Check for any obstructions in the ducting. The most common are bird nests in the roof cap or wall cap where the fan exhausts to the outside. 2b. If a speed control is being used, confirm the setting. 2c. Turn off power to unit. Check that all wires are connected correctly.
3. Fan is operating louder than normal.	3a. Motor is loose. 3b. Fan mounting screws too tight. 3c. Fan damaged in shipping.	3a. Turn off power to unit. Confirm unit is mounted securely to bracket. Restore power to unit. 3b. Turn off power to the unit. Loosen screws going through rubber grommets. 3c. Contact seller for replacement.

LIMITED WARRANTY

All products manufactured by Air King Limited are warranted for one year from the date of purchase against defects in workmanship and/or material. In addition, all ventilating/exhaust fans, heaters, combination fan lights and/or heaters, and range hoods are guaranteed for five years from the date of purchase against defects in workmanship and/or material.

This warranty does not cover any labor or shipping costs or the cost of replacement components as part of routine maintenance such as: range hood grease filters, charcoal filters or combination charcoal/grease filters; replacement light bulbs in range hoods or bathroom fan/light/bulb heater combinations. As well, any damage or failure caused by abuse, misuse, abnormal usage, faulty installation, or improper maintenance will not be covered by this warranty.

In order to make a claim on this warranty, you must be the original consumer of the product. You will be required to present to Air King the original bill of sale showing: date of purchase, place of purchase and model purchased. Failure to meet these requirements will void your warranty.

Air King will not be held responsible for any bodily injury or damages to personal property or real estate whether caused directly or indirectly by the product. Some states and provinces do not allow the exclusion or limitation of incidental or consequential damages and some states do not allow limitations on how long an implied warranty lasts, so these exclusions or limitations may not apply to you. This warranty gives you specific legal rights and you may have other rights which vary from state to state and province to province.

FOR PARTS OR TECHNICAL ASSISTANCE

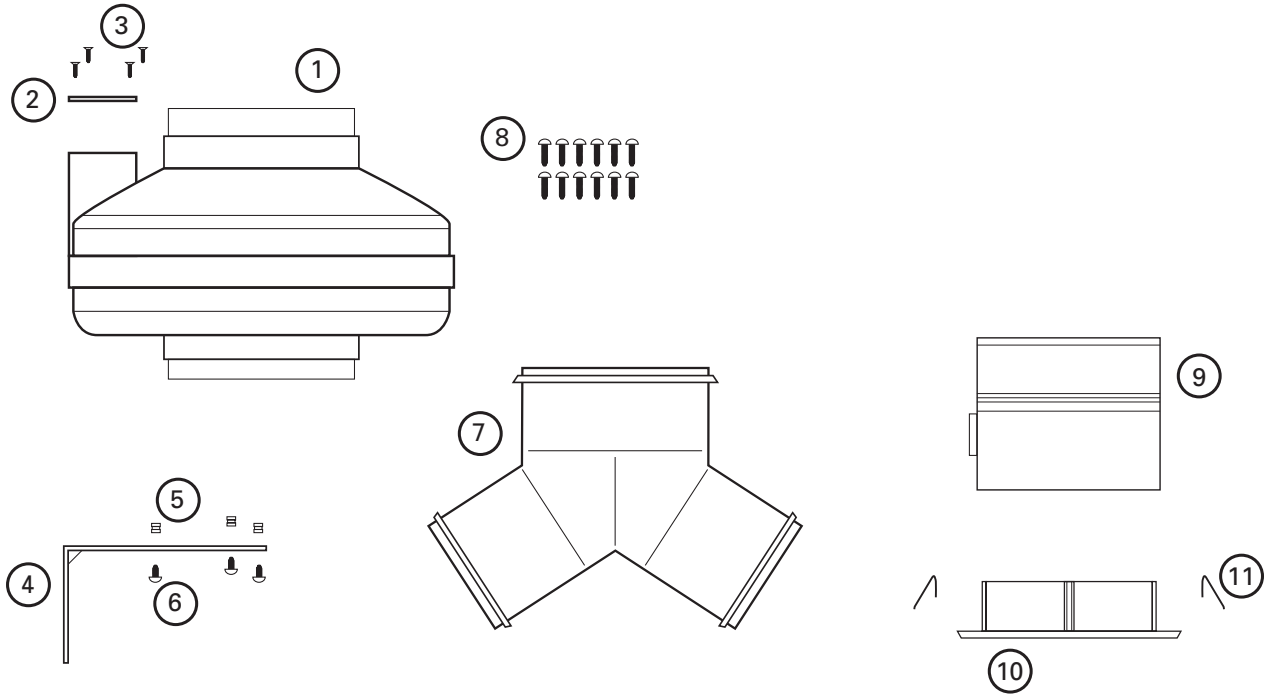
Please call: 1-800-465-7300, **MONDAY THROUGH FRIDAY, BETWEEN THE HOURS OF 8 AM AND 4:00 PM EST.**
PLEASE DO NOT RETURN PRODUCT TO PLACE OF PURCHASE.

Reference the type and style of product (located on label inside of the product) when you call.
For more information please visit our website: www.airkinglimited.com

Installer: _____ Installation Date: _____

Place of Purchase: _____ Model Number: _____

REPLACEMENT PARTS DIAGRAM



Single Inlet Fan Kit Replacement Parts

#	Qty.	Description	Replacement Part #
1	1	Motor - AIK14X	5S7635000
	1	Motor - AIK16X	5S7635001
2	1	Cover Plate - AIK14X	5S7635029
	1	Cover Plate - AIK16X	5S7635030
3	2	Screw - AIK14X	5S7699021
	4	Screw - AIK16X	5S7699023
4	1	Mounting Bracket	5S7635035
5	3	Grommet	5S7699020
6	3	Screw	5S7699024
8	8	Screw	5S7699022
	1	Collar/Damper Assembly - AIK14X	5S7635039
9	1	Collar/Damper Assembly - AIK16X	5S7635015
10	1	Grill - AIK14X	5S7635016
	1	Grill - AIK16X	5S7635017
11	4	Grill Spring	5S7635028

Dual Inlet Fan Kit Replacement Parts

#	Qty.	Description	Replacement Part #
1	1	Motor - AIK24Y	5S7635000
	1	Motor - AIK26Y	5S7635002
2	1	Cover Plate - AIK24Y	5S7635029
	1	Cover Plate - AIK26Y	5S7635030
3	2	Screw - AIK24Y	5S7699021
	4	Screw - AIK26Y	5S7699023
4	1	Mounting Bracket	5S7635035
5	3	Grommet	5S7699020
6	3	Screw	5S7699024
7	1	Y Transition - AIK24Y	5S7635008
	1	Y Transition - AIK26Y	5S7635010
8	12	Screw	5S7699022
9	2	Collar/Damper Assembly - AIK24Y	5S7635039
	2	Collar/Damper Assembly - AIK26Y	5S7635015
10	2	Grill - AIK24Y	5S7635016
	2	Grill - AIK26Y	5S7635017
11	8	Grill Spring	5S7635028

Fan Replacement Parts

#	Qty.	Description	Replacement Part #
1	1	Motor - AIF4X	5S7635028
	1	Motor - AIF6X	5S7635001
	1	Motor - AIF8X	5S7635003
	1	Motor - AIF10X	5S7635004
2	1	Cover Plate - AIF4X	5S7635029
	1	Cover Plate - AIF6X	5S7635030
	1	Cover Plate - AIF8X, AIF10X	5S7635031
3	2	Screw - AIF4X	5S7699021
	4	Screw - AIF6X, AIF8X, AIF10X	5S7699023
4	1	Mounting Bracket - AIF4X, AIF6X	5S7635035
	1	Mounting Bracket - AIF8X, AIF10X	5S7635034
5	3	Grommet	5S7699020
6	3	Screw	5S7699024

Grill Replacement Parts

#	Qty.	Description	Replacement Part #
9	1	Collar/Damper Assembly - AIG4	5S7635039
	1	Collar/Damper Assembly - AIG6	5S7635015
10	1	Grill - AIG4	5S7635016
	1	Grill - AIG6	5S7635017
11	4	Grill Spring	5S7635028

INSTRUCTIONS IMPORTANTES – MANUEL D'OPÉRATION

Modèles: AIK14X, AIK16X, AIK24Y, AIK26Y,
AIF4X, AIF6Y, AIF8X, AIF10X,
AIG4, AIG6



Ventilateur d'évacuation
en série

LIRE ET CONSERVER CES INSTRUCTIONS

LIRE SOIGNEUSEMENT AVANT DE TENTER D'ASSEMBLER, INSTALLER, OPÉRER OU DE RÉPARER LE PRODUIT DÉCRIT. PROTÉGEZ VOUS-MÊME ET LES AUTRES EN OBSERVANT TOUTE L'INFORMATION DE SÉCURITÉ. FAILLIR À SE CONFORMER AUX INSTRUCTIONS PEUT RÉSULTER EN BLESSURE PERSONNELLE GRAVE ET/OU EN DOMMAGE À LA PROPRIÉTÉ.

CONSERVER CES INSTRUCTIONS POUR RÉFÉRENCES FUTURES.

INSTRUCTIONS GÉNÉRALES DE SÉCURITÉ

Lors de l'utilisation d'appareils électriques, des précautions de base doivent toujours être suivies pour réduire les risques d'incendie, de choc électrique et de blessures corporelles, incluant ce qui suit:

AVERTISSEMENT : NE PAS BRANCHER L'ALIMENTATION AVANT QUE LE VENTILATEUR NE SOIT COMPLÈTEMENT INSTALLÉ. ASSUREZ-VOUS QUE LE SERVICE ÉLECTRIQUE SUR LE VENTILATEUR EST VERROUILLE À LA POSITION ÉTEINTE.

1. Bien lire toutes les instructions avant d'installer ou d'utiliser le ventilateur d'évacuation.
2. Utiliser cette unité seulement de la manière pour laquelle le fabricant l'a conçu. Si vous aviez des questions, veuillez contacter le fabricant.
3. Avant d'effectuer un service ou de nettoyer l'unité, couper l'alimentation électrique dans le panneau de distribution et verrouiller le dispositif de déconnexion afin d'éviter que l'alimentation ne revienne accidentellement. Lorsque le dispositif ne peut être verrouillé, fixer solidement un avis d'avertissement, tel qu'une étiquette, au panneau de distribution.
4. Le travail d'installation et le câblage électrique doivent être effectués par une(des) personne(s) qualifiée(s) en conformité avec tous les codes et normes applicables, incluant la construction relative aux incendies.
5. De l'air en quantité suffisante est requis pour la bonne combustion et l'évacuation de gaz par le conduit (cheminée) provenant d'équipement de brûlage au combustible pour prévenir un refoulement. Suivre les directives du fabricant de l'équipement de chauffage et les normes de sécurité telles que celles publiées par la National Fire Protection Association (NFPA) et de la American Society for Heating, Refrigeration, and Air Conditioning Engineers (ASHRAE), et de celles des autorités locales du code.

AVERTISSEMENT : POUR USAGE DE VENTILATION GÉNÉRALE EXCLUSIVEMENT. NE PAS UTILISER POUR ÉVACUER DU MATÉRIEL ET DES VAPEURS DANGEREUSES OU EXPLOSIVES.

6. Lors de coupe ou de perçage des murs et plafonds, ne pas endommager le filage électrique et autres utilités cachées.
7. Les ventilateurs avec conduits doivent toujours être évacués vers l'extérieur.
8. Pour éviter des dommages aux roulements des moteurs et/ou des hélices bruyantes ou déséquilibrées, empêcher la poussière de cloison sèche, poussière de construction, etc., d'atteindre l'unité de puissance.
9. Acceptable pour utilisation au-dessus d'une baignoire ou d'une douche lorsque installé dans un circuit protégé par un disjoncteur de fuite de terre.
10. Peut être utilisé avec réglage de vitesse à semi-conducteurs.
11. Cette unité comprend des parties rotatives. Des mesures de sécurité devraient donc être prises pendant son installation, son fonctionnement et son entretien.
12. Des gardes protectrices doivent être installées lorsqu'il est à la portée du personnel ou à l'intérieur de 2,13 m d'un niveau de travail ou lorsque cette mesure s'avère nécessaire pour assurer la sécurité.
13. NE JAMAIS placer un interrupteur à un endroit qui puisse être atteint de la baignoire ou de la douche.
14. Ne pas insérer les doigts ou tout corps étranger dans le moteur.

AVERTISSEMENT : NE PAS UTILISER DANS LES CUISINES

CONSERVER CES INSTRUCTIONS

INSTRUCTIONS D'INSTALLATION

AVERTISSEMENT: VOUS ASSURER QUE L'ALIMENTATION EST COUPÉE AU PANNEAU DE SERVICE AVANT DE COMMENCER L'INSTALLATION.

SECTION 1

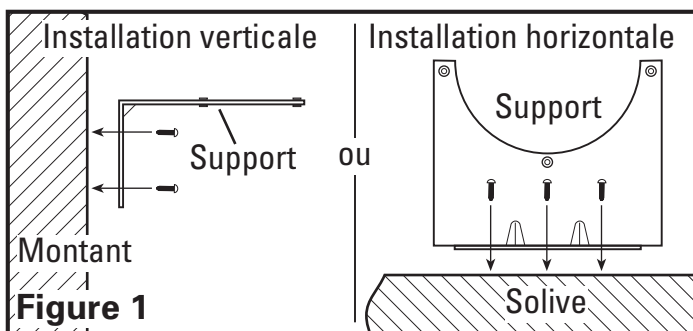
Préparation en prévision de l'installation du ventilateur

- Lorsque vous choisissez l'emplacement pour l'installation du ventilateur, les critères suivants doivent être pris en compte :
 - Installation visant à réduire le bruit généré par le fonctionnement du ventilateur :** L'installation du ventilateur aussi loin que possible du point d'entrée empêchera, en partie, le bruit de son fonctionnement d'être retransmis par le truchement du système de conduits. S'il est utilisé comme ventilateur de renfort pour assurer la distribution d'air entre deux pièces, un point central au long du système de conduit pourrait s'avérer optimal. Un système de conduit flexible isolé (recommandé pour toutes les installations de ventilateurs dans les salles de bain) procurera un fonctionnement beaucoup plus silencieux. Il est recommandé d'utiliser au moins 2,44 m de gaine flexible entre toute grille d'échappement et le ventilateur pour minimiser le niveau de bruit.
 - Accessibilité pour l'entretien :** L'emplacement du ventilateur devrait prévoir un accès suffisant pour l'entretien.

SECTION 2

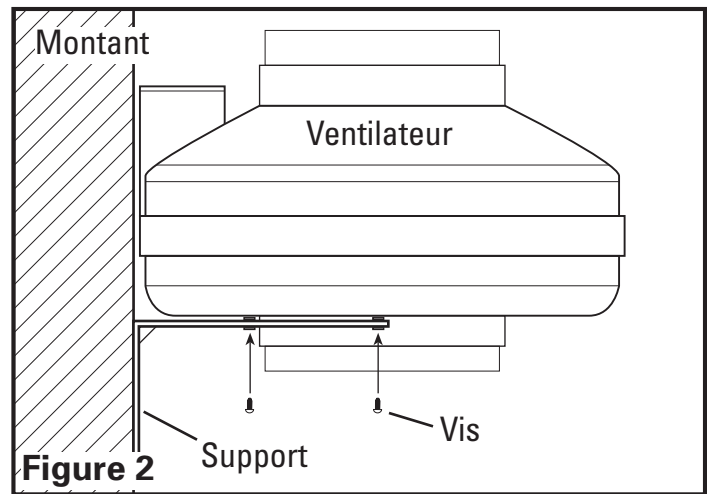
Installation du ventilateur

- En vous servant des vis à bois de 25 mm incluses, fixez le support de montage à un montant de support à l'emplacement choisi (**Figure 1**).



REMARQUE : Le ventilateur peut être installé à l'emplacement de votre choix le long du conduit, cependant, une installation verticale est recommandée afin de minimiser l'accumulation de condensation dans l'unité. Dans le cas où une installation horizontale s'avère nécessaire et que l'accumulation de condensation pourrait occasionner un problème, enveloppez le ventilateur d'isolant afin d'en minimiser l'accumulation.

- Fixez le ventilateur au support de montage en utilisant les trois vis à tôle de 1,11 mm incluses, en vous assurant que la boîte de câblage soit facilement accessible (**Figure 2**).

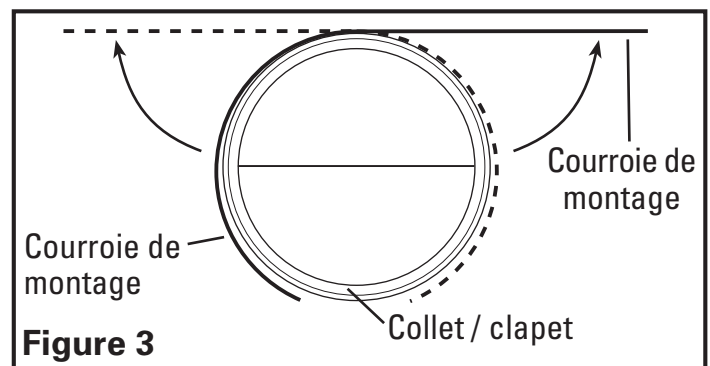


REMARQUE : Le support est muni de passe-câbles isolés en caoutchouc pour la vibration afin d'empêcher la transmission du son par le truchement de la structure. Prenez soin de ne pas trop serrer. De plus, assurez-vous de ne pas dénuder la gaine de plastique. Les vis sont autotaraudeuses et ne requièrent pas d'avant-trous. Cependant, des avant-trous n'excédant pas 1,52 mm peuvent être utilisés afin de faciliter l'installation.

SECTION 3

Installation de la grille d'échappement / d'arrivée

- Choisissez la ferrure d'attache au sein du secteur à être ventilé qui ne gêne pas une solive de plafond. Afin de faciliter l'installation, l'emplacement des poutres entre les murs ou les solives qui supportent le plafond devrait être pris en compte. Des collets / clapets sont inclus avec une courroie perforée de suspension pour fixer directement sur une poutre ou une solive. Assurez-vous de laisser suffisamment d'espace entre le collet / clapet et la poutre pour fixer le système de conduit. Si l'emplacement de la grille ne permet pas de la fixer directement, une traverse fixée au bâti devrait être utilisée.
- Pliez les courroies de montage fixées au collet vers l'extérieur de sorte qu'elles soient situées juste en face (**Figure 3**).



SECTION 4

Nouvelle construction

- Installez le collet / clapet dans l'emplacement choisi en fixant les vis à bois de 25,40 mm incluses, dans la courroie de montage. La hauteur de l'installation est déterminée par l'épaisseur finale du matériel du mur ou du plafond. Assurez-vous que le bord du collet / clapet soit au même niveau que le matériel du mur ou du plafond final (**Figure 4**).

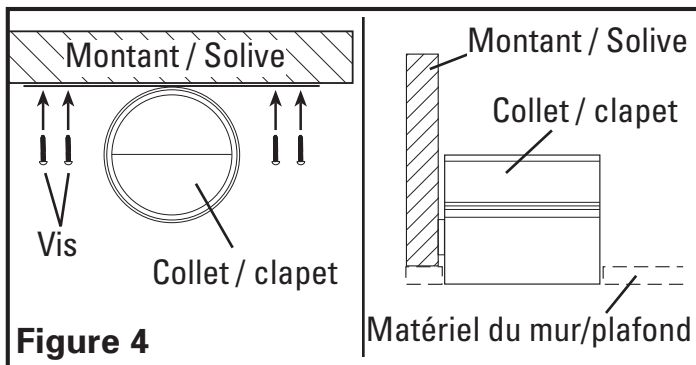


Figure 4

- Une fois le matériel du mur/plafond en place, installez la grille dans le collet en la poussant fermement vers le collet jusqu'à ce qu'elle soit à effleurement du matériau du mur/plafond (Figure 5).

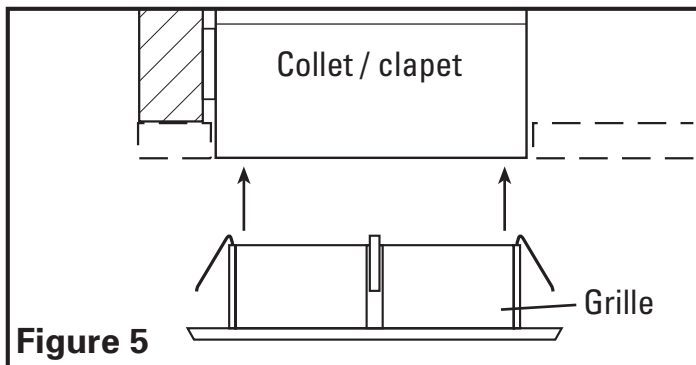


Figure 5

SECTION 5 Construction Existante

- Placez le collet / clapet à l'emplacement choisi et tracez un cercle sur la surface. A partir du côté intérieur de la pièce, coupez au travers de la surface. Veuillez noter : Prenez soin de ne pas endommager le plafond et faites une coupe lisse. (Figure 6).

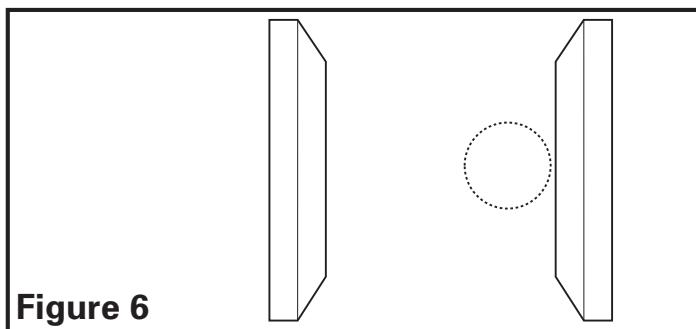


Figure 6

- Placez le collet / clapet dans l'ouverture découpée de sorte qu'il soit à effleurement du plafond final et fixez-le à la solive / au montant en insérant les vis à bois de 25,40 mm incluses, au travers de la courroie de montage (Figure 4).
- Installez la grille dans le collet en la poussant fermement vers le collet jusqu'à ce qu'elle soit à effleurement du matériau du mur / plafond (Figure 5).

SECTION 6 Conduit

AVERTISSEMENT : TOUS LES CONDUITS DOIVENT ÊTRE CONFORMES AVEC LES CODES DU BATIMENT LOCAUX ET NATIONAUX.

REMARQUE : Un conduit isolé est requis pour les installations d'évacuations de salles de bain, lorsque le conduit passe par un emplacement non climatisé ou dans un emplacement où le bruit représente un facteur important. Le fait de ne pas utiliser d'isolant pourrait entraîner une accumulation excessive de condensation au sein du conduit de même qu'un niveau de sonorité indésirable dans la pièce. Les courses de conduits devraient présenter aussi peu de coudes que possible.

REMARQUE : Des conduits isolés flexibles peuvent être utilisés là où le code local le permet. Pour des installations au niveau de sonorité le plus bas possible, il est recommandé d'utiliser au moins 2,44 m de conduit flexible entre toute grille d'échappement et ventilateur. Lors de l'utilisation de systèmes de conduit de type flexible, le conduit devrait être étiré aussi serré et droit que possible. Le cas contraire pourrait entraîner une baisse dramatique de rendement du système. Le conduit flexible devrait être rattaché au ventilateur à l'aide de serre-joints ou de ruban à conduits. Toutes les connexions devraient être aussi étanches que possible afin de maximiser le rendement du système.

- Raccordez une extrémité du conduit (non inclus) au collet / clapet au niveau de la pièce et l'autre extrémité à l'embranchement en "Y". Fixez les deux extrémités en place en utilisant du ruban ou un serre-joint afin de créer un joint aussi étanche que possible. Répétez cette étape pour le châssis de la grille de l'autre pièce (Figure 7).

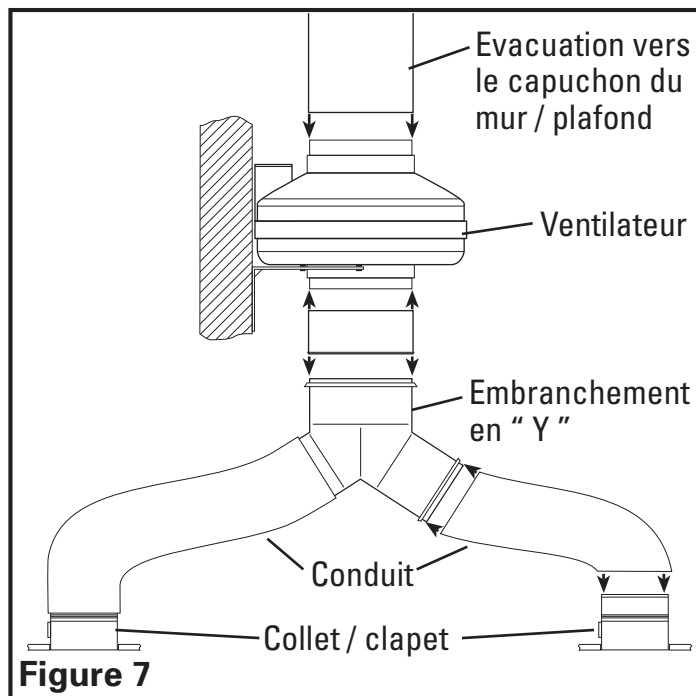


Figure 7

REMARQUE : Les unités qui incluent un seul collet n'ont pas besoin d'embranchement en "Y". Suivez les mêmes directives qu'à l'étape 1, sauf que vous raccordez l'extrémité du conduit directement au ventilateur.

- Raccordez une extrémité du conduit à la partie supérieure de l'embranchement en "Y" et l'autre extrémité à la prise d'entrée du ventilateur (Figure 7).
- Raccordez une extrémité du conduit à l'évacuation du ventilateur et l'autre extrémité à un capuchon de mur ou de plafond (Figure 7). Toujours canaliser le ventilateur vers l'extérieur par le biais d'un capuchon de mur ou de plafond.

REMARQUE : Lorsqu'un conduit isolé flexible est utilisé, il est recommandé de fixer l'âme de vinyle interne du trou d'entrée et de sortie à l'aide d'une vis de serrage ou de ruban adhésif et que le pare-vapeur entourant le revêtement isolant soit fixé à l'aide de ruban adhésif au châssis du ventilateur.

REMARQUE : Lorsqu'il est nécessaire de joindre un conduit flexible à l'ensemble collet / clapet et qu'un coude immédiat s'avère nécessaire, assurez-vous qu'il s'agisse d'un coude "flexible" de sorte à assurer le bon fonctionnement des lames du clapet.

SECTION 7

Installation d'un clapet d'équilibrage facultatif.

Certains ensembles incluent un clapet d'équilibrage facultatif permettant d'ajuster le système. Le clapet peut être utilisé là où les grilles seront fixées avec des conduits secondaires de longueurs inégales ou là où le débit devra être équilibré pour une raison ou une autre. Pour installer le clapet en option :

1. Le clapet doit être installé sur la branche secondaire la plus facilement accessible. Il s'agit habituellement du conduit le plus court ou de celui avec le moins de coudes.
2. Percez un trou de 7,94 mm à environ 38,1 mm du bord sur le côté plat de l'embranchement en "Y".
3. Insérez l'arbre du clapet dans le trou perforé à l'étape 2. Placez la rondelle, la poignée et ensuite l'écrou à oreille dans l'arbre (**Figure 8**).

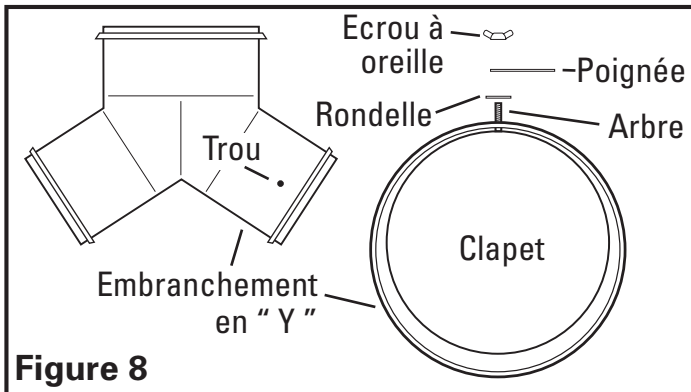


Figure 8

4. Ajustez le clapet de sorte à équilibrer le débit d'air et serrez l'écrou à oreille pour le fixer en place.

SECTION 8

Câblage du ventilateur

AVERTISSEMENT: VOUS ASSURER QUE L'ALIMENTATION EST COUPÉE AU PANNEAU DE SERVICE AVANT DE COMMENCER L'INSTALLATION.

AVERTISSEMENT: TOUTES LES CONNEXIONS DOIVENT ÊTRE FAITES EN CONFORMITÉ AVEC LES CODES ÉLECTRIQUES LOCAUX OU NATIONAUX. SI VOUS N'ÊTES PAS FAMILIER AVEC LES MÉTHODES D'INSTALLATION DE CÂBLAGE ÉLECTRIQUE, RECOURREZ AUX SERVICES D'UN ÉLECTRICIEN QUALIFIÉ.

1. Retirez les vis de la plaque du couvercle de la boîte de raccordement située sur le côté du moteur (**Figure 9**).

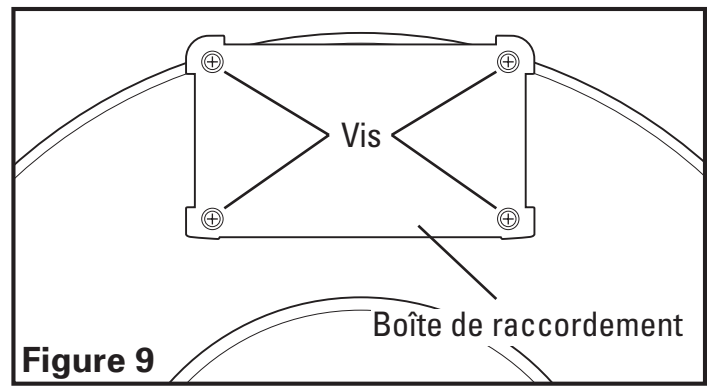


Figure 9

2. Passez le câblage d'un calibre approprié à partir d'un commutateur mural approuvé. Un fil de connexion de neutre (blanc) et un fil de vivant (fil noir branché au commutateur). Fixez les fils électriques au boîtier avec un connecteur électrique approuvé. Assurez-vous de laisser suffisamment de câblage dans le boîtier de raccordement afin de pouvoir effectuer les branchements à la plaquette de connexions électriques précâblée du ventilateur.
3. Insérez le fil blanc provenant de la maison dans le port de la plaquette de connexions étiqueté "N" et serrez à l'aide d'un petit tournevis régulier. Insérez le fil noir à partir du commutateur mural dans le port de la plaquette de connexions étiqueté "L" et serrez à l'aide d'un petit tournevis régulier. Etant donné que le moteur est isolé au sein d'un boîtier de plastique, il n'est pas nécessaire de procéder à une mise à la terre (**Figure 10**).

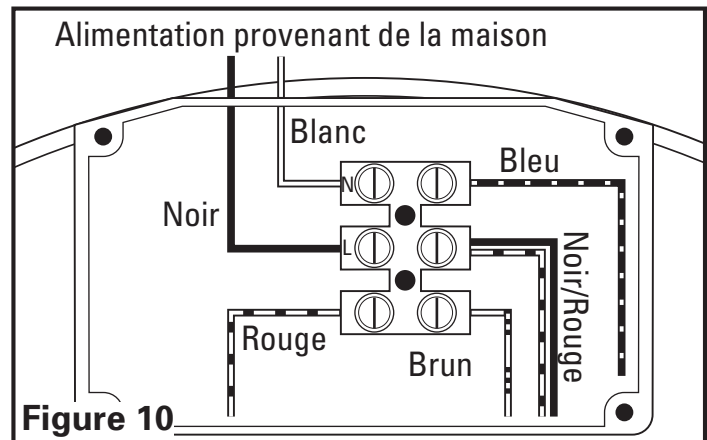


Figure 10

4. Assurez-vous que toutes les connexions de câblage sont fixées de manière sécuritaire à la plaquette de connexions et remplacez le couvercle du boîtier de raccordement.
5. Rétablissez le courant et testez votre installation.

SECTION 9

Utilisation et entretien

AVERTISSEMENT : ASSUREZ-VOUS QUE LE COURANT EST COUPÉ À PARTIR DU PANNEAU ÉLECTRIQUE AVANT DE PROCÉDER À L'ENTRETIEN DE L'UNITÉ.

1. **Nettoyage de la grille :** Retirez la grille et nettoyez-la à l'aide d'un détergent doux, comme du savon à vaisselle, et séchez-la ensuite avec un chiffon doux. NE JAMAIS UTILISER DE TAMPONS ABRASIFS OU DE POUDRES À RECUPER. Asséchez la grille complètement avant de la réinstaller. Reportez-vous aux instructions à l'étape 2 de la **Section 4** pour réinstaller la grille.
2. Les roulements du ventilateur sont scellés et munis d'un matériel lubrifiant interne, aucune lubrification additionnelle n'est requise.

Guide de dépannage

Trouble	Cause Possible	Solution Suggérée
1. Le ventilateur ne fonctionne pas lorsque l'interrupteur est à la position en marche.	1a. Un fusible peut être grillé ou un disjoncteur peut être déclenché. 1b. Le câblage n'est pas raccordé correctement. 1c. Le moteur est terminée	1a. Remplacer le fusible ou réinitialiser le disjoncteur. 1b. Couper l'alimentation de l'unité. Vérifier que tous les fils sont raccordés. 1c. Remplacez la moteur
2. Le ventilateur fonctionne, mais l'air circule plus lentement que la normale.	2a. Obstruction dans les conduits d'évacuation. 2b. Le réglage de la commande de vitesse n'est pas assez élevé. 2c. Câblage incorrect.	2a. Vérifier pour toute obstruction dans les conduits. Les plus courantes sont des nids d'oiseau dans le chapeau de toit ou mural là où le ventilateur s'évacue s'évacue vers l'extérieur. 2b. Si une commande de vitesse est utilisée, confirmez le réglage. 2c. Coupez l'alimentation de l'unité. Assurez-vous que tous les fils sont branchés correctement.
3. Le ventilateur fonctionne de manière plus bruyante que la normale.	3a. Le moteur est lâche. 3b. Les vis pour l'installation du ventilateur sont trop serrées. 3c. Ventilateur endommagé au cours de l'expédition.	3a. Couper l'alimentation à l'unité. Retirer la grille et vérifier que toutes les vis sont complètement serrées. Remettre l'alimentation sur l'unité. 3b. Coupez l'alimentation de l'unité. Desserrez les vis des passe-câbles en caoutchouc. 3c. Communiquez avec le vendeur pour un remplacement.

GARANTIE LIMITÉE

Tous les produits fabriqués par Air King Limited sont garantis pour un an à partir de la date d'achat contre les défauts de main d'œuvre et/ou de matériel. De plus, tous les ventilateurs / évacuateurs, chaufferettes, combinés ventilateur/ lumière et/ou les chaufferettes et les hottes de cuisine sont garantis pour cinq années à partir de la date d'achat contre les défauts de main d'œuvre et/ou de matériel.

Cette garantie ne couvre pas de coûts de transport ou de main d'œuvre ou le coût de remplacement de composantes faisant partie d'entretien de routine tels que : Filtres à graisse des hottes de cuisine, filtres au charbon ou combiné filtre à graisse/ charbon ; ampoules électriques de remplacement dans les hottes de cuisine ou les combinés ventilateur/ lumière/ chaufferette pour salle de bain. Aussi, tout dommage ou défaillance causé par un abus, une mauvaise utilisation, une installation fautive ou un entretien incorrect ne sera pas couvert par cette garantie.

De manière à effectuer une réclamation sous cette garantie, vous devez être l'acheteur original du produit. Il vous sera exigé de présenter la facture d'achat originale à Air King, qui démontrera : La date d'achat, l'endroit de l'achat et le modèle acheté. Le manquement à rencontrer ces exigences annulera votre garantie.

Air King ne sera pas tenu responsable de quelque blessure corporelle ou dommage à la propriété ou à l'immeuble que ce soit causé directement ou indirectement par le produit. Certains États ne permettent pas de limitation sur la durée de la garantie implicite, ou l'exclusion ou la limitation de dommages indirects ou accessoires, ainsi, ces limitations et exclusions peuvent ne pas s'appliquer à vous. Cette garantie vous donne des droits légaux spécifiques et vous pouvez aussi avoir des droits qui varient d'un État à l'autre et d'une province à l'autre.

POUR DES PIÈCES OU DE L'ASSISTANCE TECHNIQUE

Veuillez appeler au 1-800-465-7300, **DU LUNDI AU VENDREDI ENTRE 8:00 HRE ET 16:00 HRE HNE.**
VEUILLEZ NE PAS RETOURNER CE PRODUIT À L'ENDROIT DE L'ACHAT D'ORIGINE.

Référencer le type et le style du produit (localisé sur l'étiquette à l'intérieur du produit) lorsque vous appelez.
Pour plus d'information, veuillez visiter le site Web de Air King au www.airkinglimited.com

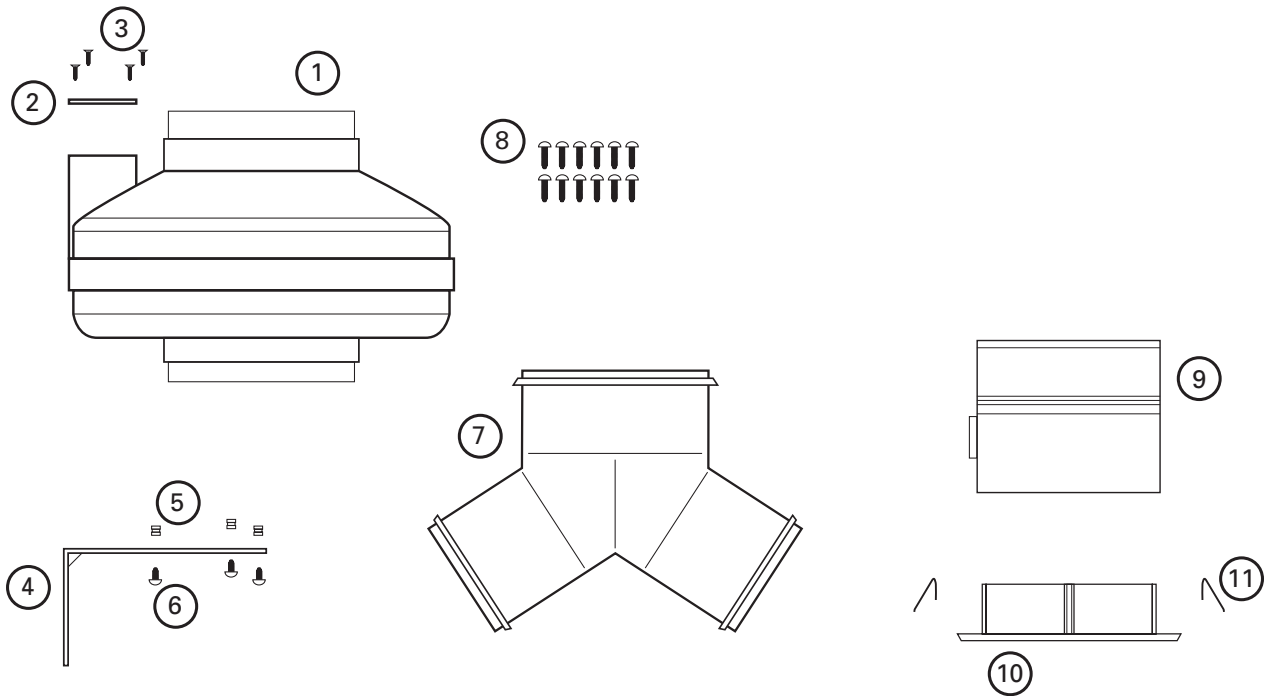
Installateur: _____

Date d'installation: _____

Endroit de l'achat: _____

Numéro de modèle: _____

DIAGRAMME DES PIÈCES DE REMPLACEMENT



Ensemble de pièces de remplacement pour ventilateur à orifice d'entrée unique.

#	Qté.	Description	# de pièce de remplacement
1	1	Moteur - AIK14X	5S7635000
	1	Moteur - AIK16X	5S7635001
2	1	Plaque de finition - AIK14X	5S7635029
	1	Plaque de finition - AIK16X	5S7635030
3	2	Vis - AIK14X	5S7699021
	4	Vis - AIK16X	5S7699023
4	1	Support de montage	5S7635035
5	3	Passe-câble	5S7699020
6	3	Vis	5S7699024
8	8	Vis	5S7699022
	8	Vis	5S7699022
9	1	Assemblage collet / clapet - AIK14X	5S7635039
	1	Assemblage collet / clapet - AIK16X	5S7635015
10	1	Grille - AIK14X	5S7635016
	1	Grille - AIK16X	5S7635017
11	4	Ressorts pour la grille	5S7635028

Ensemble de pièces de remplacement pour ventilateur à orifice d'entrée double.

#	Qté.	Description	# de pièce de remplacement
1	1	Moteur - AIK24Y	5S7635000
	1	Moteur - AIK26Y	5S7635002
2	1	Plaque de finition - AIK24Y	5S7635029
	1	Plaque de finition - AIK26Y	5S7635030
3	2	Vis - AIK24Y	5S7699021
	4	Vis - AIK26Y	5S7699023
4	1	Support de montage	5S7635035
5	3	Passe-câble	5S7699020
6	3	Vis	5S7699024
7	1	Embranchement en " Y " - AIK24Y	5S7635008
	1	Embranchement en " Y " - AIK26Y	5S7635010
8	12	Vis	5S7699022
9	1	Assemblage collet / clapet - AIK24Y	5S7635039
	1	Assemblage collet / clapet - AIK26Y	5S7635015
10	1	Grille - AIK24Y	5S7635016
	1	Grille - AIK26Y	5S7635017
11	8	Ressorts pour la grille	5S7635028

Pièces de remplacement pour ventilateur

#	Qté.	Description	# de pièce de remplacement
1	1	Moteur - AIF4X	5S7635028
	1	Moteur - AIF6X	5S7635001
	1	Moteur - AIF8X	5S7635003
	1	Moteur - AIF10X	5S7635004
2	1	Plaque de finition - AIF4X	5S7635029
	1	Plaque de finition - AIF6X	5S7635030
	1	Plaque de finition - AIF8X, AIF10X	5S7635031
3	2	Vis - AIF4X	5S7699021
	4	Vis - AIF6X, AIF8X, AIF10X	5S7699023
4	1	Support de montage - AIF4X, AIF6X	5S7635035
	1	Support de montage - AIF8X, AIF10X	5S7635034
5	3	Passe-câble	5S7699020
6	3	Vis	5S7699024

Pièces de remplacement pour la grille

#	Qté.	Description	# de pièce de remplacement
9	1	Assemblage collet / clapet - AIG4	5S7635039
	1	Assemblage collet / clapet - AIG6	5S7635015
10	1	Grille - AIG4	5S7635016
	1	Grille - AIG6	5S7635017
11	8	Ressorts pour la grille	5S7635028

Free Manuals Download Website

<http://myh66.com>

<http://usermanuals.us>

<http://www.somanuals.com>

<http://www.4manuals.cc>

<http://www.manual-lib.com>

<http://www.404manual.com>

<http://www.luxmanual.com>

<http://aubethermostatmanual.com>

Golf course search by state

<http://golfingnear.com>

Email search by domain

<http://emailbydomain.com>

Auto manuals search

<http://auto.somanuals.com>

TV manuals search

<http://tv.somanuals.com>