



## Universal Notebook Battery (UPB80)

### User's Manual

#### Introduction

Thank you for purchasing APC's Universal Notebook Battery (model UPB80). Please read the entire user manual prior to use. Fill out and mail the enclosed Warranty Registration Card, or register this purchase online at [www.apc.com](http://www.apc.com).

APC's Universal Notebook Battery is a slim and lightweight external battery pack which provides up to 8-hours of continuous runtime (actual runtimes may vary by notebook model and power setting).

#### Features

- Ultra-lightweight construction reduces bulk and weight in notebook carry-on luggage.
- Wide range of selectable output voltages power most notebook computers.
- Four charge/discharge level indicators.
- Letter-coded power tips provided compatibility with most notebook computers (see Compatibility Guide).
- Compatible with APC's TravelPower Adapter and Universal Power Adapter models.
- 80 Watts of continuous power, up to 100 Watts peak power output.
- Up to 8 hours of continuous runtime for your notebook.

#### Inspection

Check the package contents for the following items:

- APC Universal Notebook Battery (UPB80)
- Input/Output UPB80 Power Cable
- Conversion Plug and Jack Package
- Compatibility Guide
- User's Manual
- Warranty Card
- Voltage and Tip Label
- Rubber "Feet" (4)

If any item listed above is not in the package, contact APC Customer Service.

#### Safety Precautions

Please read the following warnings carefully before using the UPB80 Universal Notebook Battery. Use the product correctly and according to the procedures described in this manual.

##### WARNINGS

- Do not attempt to disassemble or alter any part of this product.
- Do not store beyond -4 to 140°F (-20 to 60°C) and operate beyond 32 to 104°F (0 to 40°C) environment, as this will reduce product life or damage the product.
- Do not allow this product to have contact with water or other liquids. If water or other liquids enter the battery interior, immediately unplug the product from the notebook. Continued use of the product may result in fire or an electrical shock.
- Do not place this product near a heat source or expose the battery to direct flame or heat, as the battery may explode.

#### Prior to Use

Before using the UPB80 it should be fully charged. Please follow the instructions below on how to use and maintain the UPB80.

### 1 Finding the Notebook Voltage Setting

Before using this battery, determine the DC input voltage requirement for the notebook being used. Notebook voltage ratings are usually indicated in one of two locations: at the back of the notebook on the system label or on the notebook AC-to-DC power adapter label.

If the voltage cannot be located, refer to the "Compatibility Guide" to determine the required setting for the notebook being used.

### 2 Output Voltage Setting

Please refer to Figure 1 to become familiar with all aspects of the UPB80.

To set the voltage output for the UPB80, proceed as follows:

1. Locate the input voltage requirement for your notebook computer. (Refer to "Finding the Notebook Voltage Setting" for instructions).
2. Remove the yellow sticker on the UPB80 which covers the Output Voltage Selector Switch.
3. Ensure the UPB80 Power Cable is disconnected from the UPB80.
4. Turn the Output Voltage Selector Switch to the required voltage setting for the notebook being used.
5. Connect the UPB80 Power Cable to the UPB80 to make the change effective.

**NOTE:** Accidentally switching the Output Voltage Selector Switch while discharging (using the UPB80) will automatically restrict power output.. The power output will only be resumed by disconnecting and then connecting the UPB80 Power Cable from/to the UPB80.

### 3 Charging and Connecting the UPB80

Prior to use, completely charge the UPB80. Follow the instructions for setting the output voltage on the UPB80. Provided with the UPB80 is a plastic bag with an assortment of plug and jack tips. Plug and jack tips are each marked with a letter designator which corresponds to notebook models listed in the "Compatibility Guide" and "Compatibility" section of this manual. Plug tips are used to connect the output power of the UPB80 to the input DC voltage port on the notebook. Jack tips are used to connect the UPB80 to a power source (notebook's AC/DC Power Adapter, or APC's TravelPower or Universal Power Adapters - purchased separately).

#### Charging and Connecting the UPB80 - con't:

Tips are marked with an uppercase letter (A, B, C, etc.). Jacks are marked with a lowercase letter (a, b, c, etc.).

**Example:** An IBM® X31 uses plug tip "B" and jack tip "b". An Acer Travel Mate® uses plug tip "K" and jack tip "k", etc. The letter designators correspond to notebook models listed in the "Compatibility Guide" and "Compatibility" section of this manual. To make connections, refer to Figures 1 and 2, then proceed as follows:

1. Attach the appropriate Jack tip to the UPB80 Input Power Connector.
2. Attach the Plug tip to the UPB80 Output Power Connector.
3. Attach the notebook power adapter, APC TravelPower Adapter, or Universal Power Adapter to the UPB80 Jack tip.
4. The UPB80 Power Level Indicators should illuminate. If they do not, ensure the notebook power adapter is connected to a power source, and that any switch controlling the power source is in the ON position.
5. When the Power Level Indicators illuminate, the UPB80 is charging. Continue charging it until all indicators illuminate and then extinguish.

6. Check the UPB80 capacity. Press the "Power Level" pushbutton. The Power Level Indicators on the UPB80 will light and stay lit for about 5 seconds. If this is the first time using the battery and all indicators do not light, fully charge the UPB80 before continuing.

7. The UPB80 is now ready for use. If the notebook power adapter, APC TravelPower Adapter, or APC Universal Power Adapter is present, the UPB80 will pass through power to the notebook. If the notebook power adapter is removed, the UPB80 will continue to provide power to the notebook, and the notebook will appear to be connected to utility power. To optimize runtime for the battery, adjust the notebook power settings to save power. See notebook user manual for information on changing power mode settings.

#### Power Level Pushbutton and Indicators

The Power Level Pushbutton activates from one to four indicators. These indicators show the charge and discharge level of the UPB80. See Figure 3. When activated, these indicators will remain lit for about five seconds.

The Power Level Pushbutton does not activate the voltage output function of the UPB80. The voltage output function of the UPB80 works in conjunction with the Output Voltage Selector Switch, as well as the Rear Panel Power Connector and associated Power Cable. See the note in Figure 1.

**NOTE:** The UPB80 Power Cable controls the power output of the UPB80. If the Power Cable is attached to the UPB80, it will slowly discharge even if it is not connected to a notebook computer. For best results, disconnect the Power Cable from the UPB80 when not in use. This will prolong battery life, and prevent inadvertent discharge.

For storage or transportation, disconnect the UPB80 Power Cable, or turn the Output Voltage Selector Switch to "Off". If setting the voltage to "Off", reset the switch to the voltage required by the notebook. Remove the Power Cable and reconnect it to the UPB80 BEFORE power output will be restored.

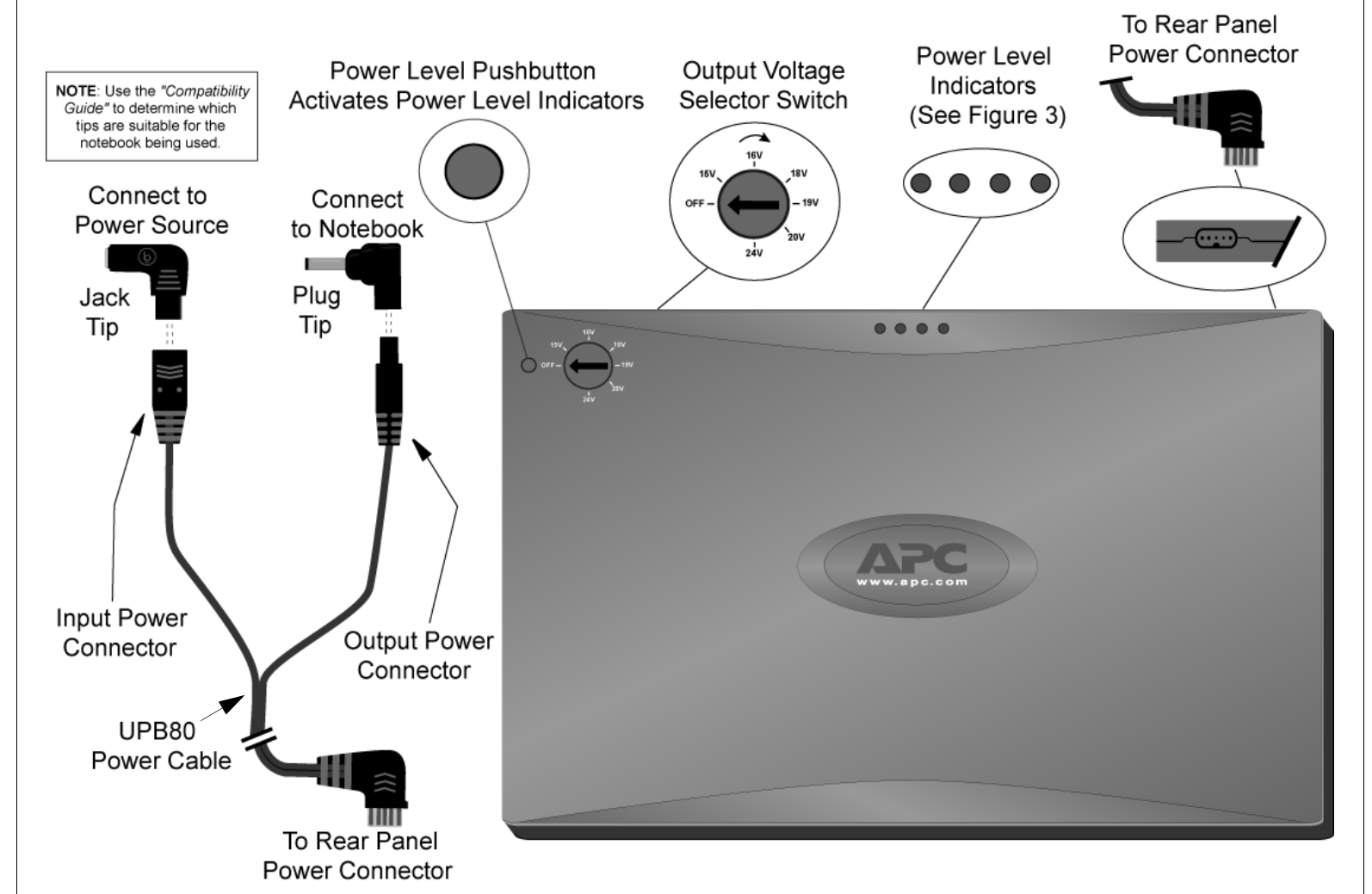


Figure 1. Universal Notebook Battery (UPB80) User Interface

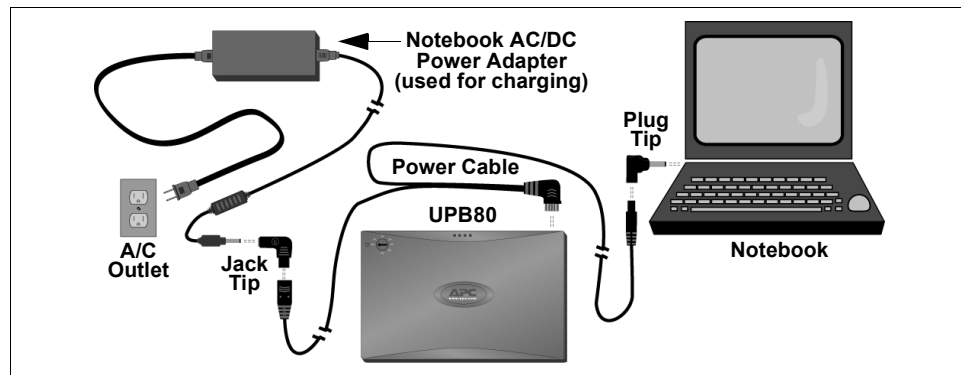


Figure 2. Typical Connection Diagram

Figure 3. Power Level Indicator Definitions

Color	During Discharge	During Charging
Blue	● ● ● ● 85 - 100%	● 0 - 30%
Blue	● ● ● 60 - 85%	● ● 30 - 60%
Blue	● ● 30 - 65%	● ● ● 60 - 85%
Blue	● 10 - 30%	● ● ● ● 85 - 95%
Amber or Off	○ (amber) Less than 10%	○ ○ ○ ○ Fully Charged (Not Lit)

## Troubleshooting

Problem	Possible Cause	Corrective Action
The UPB80 is not charging the notebook when the AC adapter is connected to the UPB80.	Notebook AC Adapter output voltage does not match the output voltage setting on the Output Voltage Selector Switch.	Check the voltage rating from the system label on the notebook or power adapter. Turn the Output Voltage Selector Switch to the corresponding voltage. Disconnect and reconnect the UPB80 Power Cable from/to the UPB80.
No power after performing the above procedure.	The actual voltage produced by the notebook AC adapter is offset from its rating.	Disconnect the Power Cable from the UPB80. Turn the Output Voltage Selector Switch to the next highest voltage setting. <b>Example:</b> if the notebook AC adapter is 15V, turn the Output Voltage Selector Switch to 16V.
	The notebook is an Acer model, and is listed in the "Compatibility Guide" and the "Compatibility" section of this manual.	Disconnect the UPB80 Power Cable; set the Output Voltage Selector Switch to 20V. Connect the UPB80 Power Cable to the notebook.
UPB80 does not charge the notebook when the AC adapter is NOT connected.	The Output Voltage Selector Switch is not set to the correct voltage setting.	Check the notebook, notebook power adapter, "Compatibility Guide" or "Compatibility" section of this manual to ensure the appropriate voltage setting for the notebook is being used, and to ensure the proper jack tip and plug tip are being used.
	UPB80 has automatically shut down due to abnormally high temperature.	Remove the UPB80 from the enclosed area, and let it cool for a few minutes. Unplug and re-plug the UPB80 Power Cable. The unit will recover from thermal protection mode.
	The notebook being used is drawing more than 80W from the UPB80.	UPB80 is designed to deliver 80 watts of continuous output power. Perform one of the following to resume UPB80 power output: 1. Fully charge the notebook internal battery using the adapter provided with the notebook; connect the UPB80 to the notebook. 2. Change the power settings on the notebook to conserve battery power.
No power from the UPB80 after extended period of storage or non-use.	UPB80 was stored or not used for an extended period with the UPB80 Power Cable connected.	Attempt to charge the UPB80 over night. If power does not return, contact APC Technical Support for instructions.

## Battery Recycling, Storage, and Battery Life

The Universal Notebook Battery should be disposed of properly. Please do not dispose in trash receptacles or incinerate. For information about APC's battery recycling program, visit: [mobilecomputing.apc.com](http://mobilecomputing.apc.com).

For best results, do not store the UPB80 where there is excessive heat or cold, as such environments can damage the battery pack and reduce battery life. When storing or transporting the UPB80, remove the Power Cable. This will prolong the charge on the UPB80. If storing the UPB80 for an extended period, completely discharge and recharge the unit before the next use. This can be done by attaching the UPB80 to a notebook and waiting until it is fully discharged. The UPB80 is fully discharged when the amber Power Level indicator is extinguished. Attach a notebook power adapter to the UPB80 and continue charging it until all Power Level indicators are extinguished. For best results, the UPB80 should be fully discharged and recharged once every 3 months. This will condition the cells inside the battery to ensure the UPB80 delivers the most capacity available.

## Specifications

Item	Specification
Capacity	88.8 Watt-hours
Output Power	80 Watts maximum continuous power. 100 Watts peak - short duration.
Output Voltage	15V, 16V, 18V, 19V, 20V and 24V DC
Input Power Source	Notebook adapters or APC's TravelPower or Universal Power Adapters.
Charge time	Recharges to 100% in 3.5 hours.
Size	10" x 6.5" x .65" (255mm X 165mm X 16.5mm)
Weight (including Power Cable)	1.93 lb. (880g)
Environmental	Storage: -4 to 140°F (-20 to 60°C) Operation: 32 to 104°F (0 to 40°C)
Agency Approvals	UL, cUL, TUV/GS, and CSA  <b>Note:</b> This device complies with Part 15 of the FCC rules. Operation is subject to the following two conditions: (1) This device may not cause harmful interference, and (2) This device must accept any interference received, including interference which may cause undesired operation.

## Contact Information

**American Power Conversion**  
132 Fairgrounds Road  
West Kingston, Rhode Island  
02892 USA

Toll Free: (800) 800-4APC  
Phone: (401) 789-5735  
Fax: (401) 789-3710  
Internet: <http://www.apc.com>

## Limited Warranty

APC warrants its products to be free from defects in materials and workmanship under normal use and service for one (1) year from the date of purchase for the original purchaser. Its obligation under this warranty is limited to repairing or replacing, at its sole option, any such defective products. To obtain service under warranty you must obtain a Returned Material Authorization (RMA) number from APC or an APC Service Center with transportation charges prepaid and must be accompanied by a brief description of the problem and proof of date and place of purchase. This warranty applies only to the original purchaser.

When APC Technical Support authorizes return of this product, ensure the Battery Power Cable is not connected to the battery, and the Output Voltage Selector Switch is set to Off prior to shipment.

## Compatibility

Acer	Travelmate 230, 290, 660, 800, 6000, 8000, C300, C301, C302, C303, TM230X, TM230XC, TM230XV, TM233LC, TM233X, TM233XV, TM233XV-PRO, TM233XVI, TM234LCI, TM281XC, TM281XV, TM283LC, TM283LCI, TM653LCI, TM661LCI, TM662LMI, TM800XCI, TM800XCI, TM802LCI, TM803LCI	19	K / k
	Travelmate C100, C110, TMC100 Tablet, TMC110 Tablet	20	K / k
Apple	PowerBook G4 (Titanium & Aluminum)	24	P / p
	iBook G3 (Dual USB, 500 Mhz and up), iBook G4	24	P / p
Compaq	Armada 110, E500, E700, M300, M700, V300	19	H / h
	Evo 110, 150, 200-800, N610C	19	H / h
	Evo 115, 160, 180	19	B / b
	Presario 1010-1080, 1200-1280, 1450, 1600-1830, 2700-2720, 700-955, 720	19	B / b
	Presario 2800-2880, 305, 306	19	H / h
Dell	Inspiron 300M, 500M, 600M, 700M, 1150, 8500, 8600, 1000, 5150, 9100, XPS	19	I / i
	Inspiron 2500-2650, 3700-5000, 7500-8200	20	J / j
	Inspiron 3000-3500, 7000	19	B / b
	Latitude C400-C840, C540, C610, C640, CP, CPl, CPT, CPx, CS, CSx, x200, X200	20	J / j
	Latitude D400, D500, D600, X300	19	I / i
	Precision M40, M50, Smartstep 200, 250	20	J / j
Fujitsu	A1010, E330, E380	19	B / b
	A4170, C2111, E6624-E7000	19	E / e
	B112-B2620, C340-C360, C4120, C7661, E400-6595, I4177, I4190, L440-L470, P1032, P2120, S4510, S6110	16	E / e
	Celsius Mobile H	19	E / e
	Lifebook 200-900, B2630, B3000D, B3010D, P1120, P2120, P5000, P5010, P5020, S2000, S2010, S2020, S6120, S6120D, S7000, S7010, T3000, T3000D, T3010	16	E / e
	Lifebook E2010	19	E / e
	Lifebook E4010	19	B / b
Stylish Tablet 1000-3500, LT, LTP600, ST, ST4120, ST3500, ST4000, ST4000P, ST4121, ST5000, ST5000D, ST5010, ST5010D, ST5011, ST5011D	16	E / e	
Gateway	Solo 2500, 9100, 9150	19	B / b
Hewlett-Packard	Omnibook 2100-4050, 500, 6000-7150, 900, Sojourn, vt6200, xe2-xe4500, xt1000, xt6200	19	B / b
	Pavilion n3100-n6490, xf125-xf335, xh136-xh675, xt115-xt575, xu155, xz133-xz355, ze1110-ze5270, ze4000, ze5000, zt1000-zt1290, zu1155-zu1175	19	B / b
	Omnibook zt3000	18	H / h
HP ComPaq	Business Notebook nc6000	19	H / h
	Tablet PC tc1100	18	H / h
IBM	Thinkpad 240, 290, 380-600, 770, i1200, i1300, i1400, i1700, i1800, R series, T series, X series	16	B / b
	Thinkpad A series	16	B / b
Panasonic	Toughbook CF50, CF-W2	16	B / b
	Toughbook CF M31-CF M34, CF R1, CF T1, CF17-CF72	16	E / e
	Toughbook Tb28, Tb50	16	E / e
Sony	Vaio PCG TR1A, PCG TR1AP, PCG TR2A, PCG Z1R1AP1, PCG Z1R1AP2, PCG Z1R1AP3, PCG Z1RA, PCG GR, PCG SR, PCG SRX, PCG V505, PCG VX, PCG Z1, V505BX, V505AX	16	E / e
	Vaio PCG NV, PCG NVR, PCG R505, PCG XG, PCG 700, PCG F, PCG FX, PCG FXA, PCG GRS, PCG GRX, PCG GRZ, PCG Z505, VGN A197XP	19	E / e
	Vaio refurbished PCG Z1A1, PCG Z1A1P2, PCG Z1A1P3, PCG Z1AP3	16	E / e
Toshiba	Libretto 100, 110, 50, 70	15	D / d
	Portege 2000-2010, 300-660, 3000-3490, 3500, 3505, 4000-7200, M100, M200	15	D / d
	Satellite 1000-1200, 1400-1555, 1600-1755, 1800-1805, 1800-1905, 1905-1955, 2060-2805, 220-335, 3000-3005, 4000-5205, S705, A10 S127 small	19	B / b
	Satellite A10 S128 small, A10 S177 small, A10 S178 small, A15 S127, A15 S157, A10, M30, Pro All	15	D / d
	Satellite Pro M10 S405, M10 S406, M15, Pro 6100 1.8 ghz, Pro 6100 2.2 ghz	15	D / d
	TE 2000, Tecra ALL, M15	15	D / d

## Free Manuals Download Website

<http://myh66.com>

<http://usermanuals.us>

<http://www.somanuals.com>

<http://www.4manuals.cc>

<http://www.manual-lib.com>

<http://www.404manual.com>

<http://www.luxmanual.com>

<http://aubethermostatmanual.com>

Golf course search by state

<http://golfingnear.com>

Email search by domain

<http://emailbydomain.com>

Auto manuals search

<http://auto.somanuals.com>

TV manuals search

<http://tv.somanuals.com>