

# User's Information Guide

## Condensing Gas Furnaces

### Fan Assisted Combustion System

#### Upflow / Horizontal and Downflow / Horizontal

**WARNING:** If the information in this manual is not followed exactly, a fire or explosion may result causing property damage, personal injury or loss of life.

- Do not store or use gasoline or other flammable vapors and liquids in the vicinity of this or any other appliance.
- **WHAT TO DO IF YOU SMELL GAS**
  - Do not try to light any appliance.
  - Do not touch any electrical switch; do not use any phone in your building.
  - Immediately call your gas supplier from a neighbor's phone. Follow the gas supplier's instructions.
  - If you cannot reach your gas supplier, call the fire department.
- Installation and service must be performed by a qualified installer, service agency or the gas supplier.

#### GENERAL INFORMATION

**WARNING:** Improper installation, adjustment, alteration, service or maintenance can cause injury or property damage. Refer to the installation instructions provided with the furnace and this manual. For assistance or additional information consult a qualified installer, service agency or the gas supplier.

This information is intended for use by individuals possessing adequate backgrounds of electrical and mechanical experience. Any attempt to repair a central air conditioning product may result in personal injury and/or property damage. American Standard Inc. or seller cannot be responsible for the interpretation of this information, nor can it assume any liability in connection with its use.

Understand the signal words DANGER, WARNING, AND CAUTION. These words are safety alert words. DANGER indicates the most serious hazards which **will** result in severe personal injury or death. WARNING indicates hazards which **could** result in personal injury or death.

CAUTION is used to indicate unsafe practices which could result in minor injury or property damage.

There must be a free flow of fresh air sufficient for efficient combustion and safe ventilation of your furnace. Do not allow the louvers on the front panels of your furnace to become blocked as this will restrict the flow of fresh air.

The combustion air for your furnace must be fresh uncontaminated air. Paints, varnishes, laundry bleaches, detergents, many household cleaners, water softening salts, adhesives, and all such products release fumes containing compounds which could lead to early heat exchanger and vent system deterioration. Do not store these type of products near your furnace and consider fresh air for your furnace during construction or remodeling.

**Never store gasoline, combustible materials, or other flammable liquids or vapors near your furnace.**

If you have a problem, check the "Problem Solver" section of this manual before you call for a possibly unneeded service call.

Parts and controls of this furnace are unique. Should service or modification be required, be sure your servicer uses only factory authorized parts, kits, or accessories for this furnace.

**CAUTION:** Label all wires prior to disconnection when servicing controls. Wiring errors can cause improper and dangerous operation.

**▲WARNING:** BODILY INJURY CAN RESULT FROM HIGH VOLTAGE ELECTRICAL COMPONENTS, FAST MOVING FANS, AND COMBUSTIBLE GAS. FOR PROTECTION FROM THESE INHERENT HAZARDS DURING INSTALLATION AND SERVICING, THE ELECTRICAL SUPPLY MUST BE DISCONNECTED AND THE MAIN GAS VALVE MUST BE TURNED OFF. IF OPERATING CHECKS MUST BE PERFORMED WITH THE UNIT OPERATING, IT IS THE TECHNICIANS RESPONSIBILITY TO RECOGNIZE THESE HAZARDS AND PROCEED SAFELY.

**▲WARNING:** DO NOT USE THIS UNIT IF ANY PART HAS BEEN UNDER WATER. IMMEDIATELY CALL A QUALIFIED SERVICE TECHNICIAN TO INSPECT THE FURNACE AND TO REPLACE ANY PART OF THE CONTROL SYSTEM AND ANY GAS CONTROL WHICH HAS BEEN UNDER WATER.

# Filter maintenance reduces energy use.

## A clean filter saves money.

When the furnace circulates and filters the air in your home, dust and dirt particles build up on the filter. Excessive accumulation can block the airflow, forcing the unit to work harder to maintain desired temperatures.

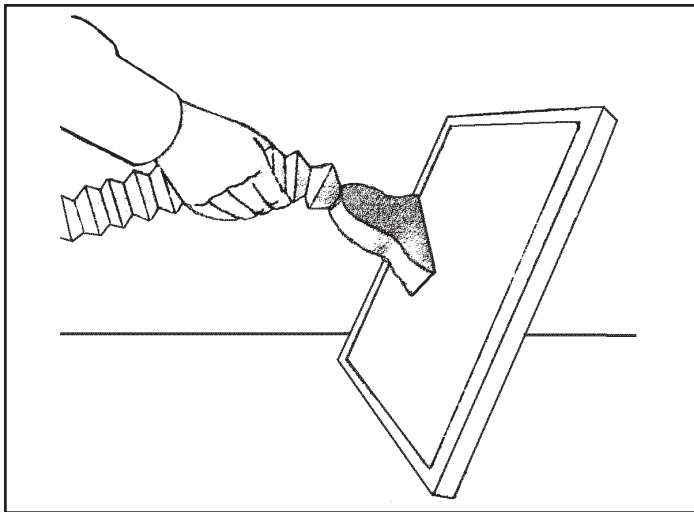
And the harder your unit has to work, the more energy it uses. So you pay more any time your system is running with a dirty filter.

**CAUTION: Never operate your unit for either heating or cooling with filters removed.**

Help ensure top efficiency by cleaning the filter once a month. Clean it twice a month during seasons when the unit runs more often.

You can clean the filter with a vacuum, OR you can wash it with a household detergent.

Both methods are quick and easy, and guaranteed to improve the performance of your system.



Your filter may or may not be framed.

## Replacing your filter.

When replacing your furnace filters, always use high velocity type which are the same size as originally supplied. Filters are available from your dealer.

Where disposable filters are used, they must be a high velocity type which are the same size as originally supplied.

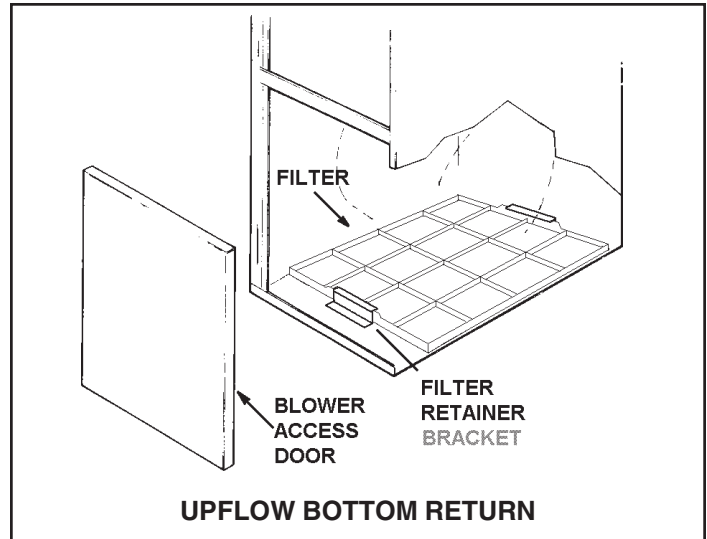
## How to remove your filter.

**WARNING: Disconnect power to unit before removing blower door.**

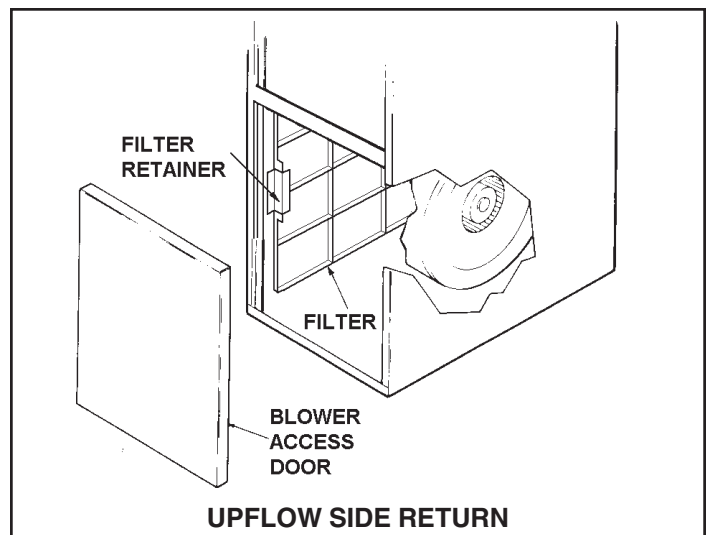
Upflow furnaces use a high velocity type air filter which may be located within the furnace blower compartment in either a BOTTOM or SIDE (left or right) return air inlet. The furnace may be secured with filter retaining brackets (as shown) or a filter retainer wire.

To replace filters, remove blower access door, push back to flex the filter and clear the filter retaining bracket at the front of the unit. After cleaning, replace the filter in the same manner making sure that the filter wire is secured in place in both front and back filter retaining brackets. Replace blower access door.

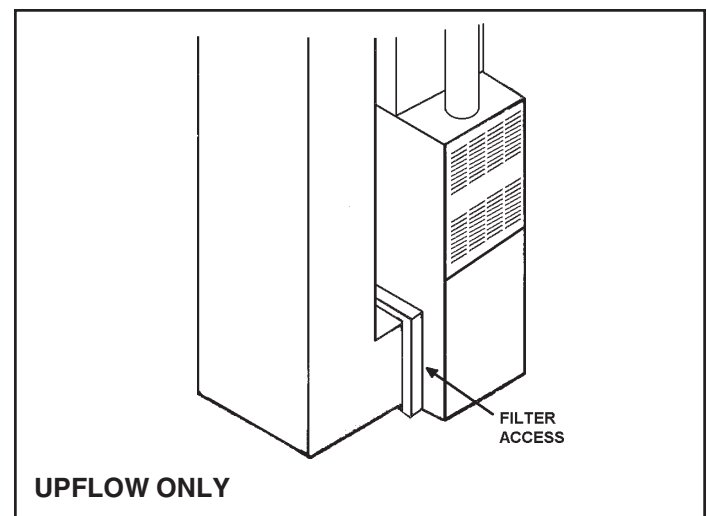
A bottom return air inlet as shown features a 17" x 25" x 1" filter in the 17-1/2" wide furnace cabinets; a 20" x 25" x 1" filter in the 21" wide models; and a 24" x 25" x 1" filter in the 24-1/2" wide cabinet.



For vertical UPFLOW ONLY, a left or right return air inlet as above (left side shown) requires trimming of the factory supplied filter to 17" x 25" x 1" for both the 21" and 24-1/2" wide furnaces.



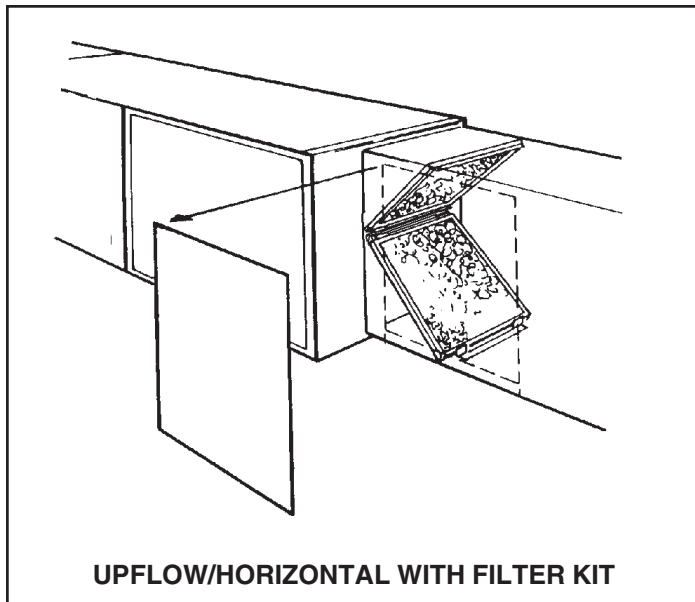
Air filters may also be located outside of the furnace using a **SIDE FILTER FRAME.**



### Upflow / Horizontal Furnace Filters

The Upflow/Horizontal furnace when installed horizontally requires a horizontal filter kit. The filters may be located remote to the furnace or in the return air duct near the furnace. Check with your dealer for the location of your filters.

An upflow/horizontal furnace in horizontal return air filter application, as shown, features two 16" x 20" x 1" filters in the 17-1/2", 21" and 24-1/2" wide furnace cabinets.



To replace filters, remove the filter access door, lift the filter from the lower bracket and shift the filter to the side to free the top filter from the bracket and slide the filters out through the filter access door. After cleaning, replace the filters in the same manner making sure that the filters are secured in place in both top and bottom filter brackets. Replace filter access door.

Air filters may also be located outside of the furnace using a remote filter grille. The filter grille could be in a hallway, wall, or in the ceiling. Check with your dealer for the exact location of your filter and the method of changing the filters.

#### UPFLOW (Vertical) FILTER TABLES

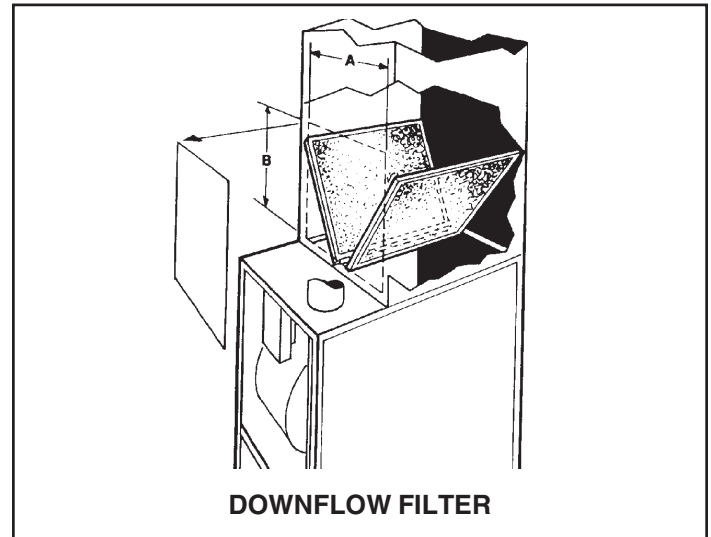
REQUIRED FILTERS - BOTTOM	
CABINET WIDTH	FILTER QUANTITY & SIZE
17-1/2"	1 - 17" X 25" X 1"
21"	1 - 20" X 25" X 1"
24-1/2"	1 - 24" X 25" X 1"

REQUIRED FILTERS - SIDE **	
CABINET WIDTH	FILTER QUANTITY & SIZE
17-1/2"	1 - 17" X 25" X 1"
21"	1 - 20" X 25" X 1"
24-1/2"	1 - 24" X 25" X 1"

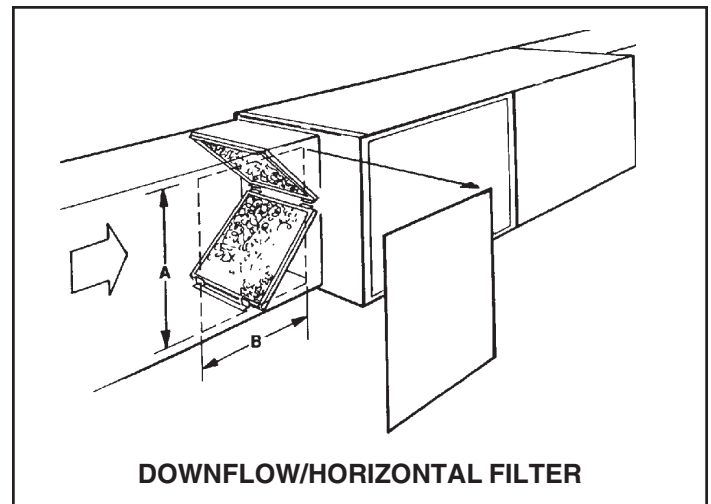
\*\* ON UPFLOW 5 TON AIRFLOW MODELS, IF THE AIRFLOW REQUIREMENT EXCEEDS 1800 CFM, THESE MODELS WILL REQUIRE FILTERS ON BOTH SIDES **OR** 1 SIDE AND THE BOTTOM, **OR** JUST THE BOTTOM

Downflow/Horizontal furnaces are factory supplied with 2 standard size permanent type air filters which may be located remote to the furnace or in the return air duct. Check with your dealer for the location of your filters.

A downflow/horizontal furnace return air filter application, as shown, features two 14" x 20" x 1" filter in the 17-1/2" wide furnace cabinets; or two 16" x 20" x 1" filter in the 21" and 24-1/2" wide furnace cabinets.



A downflow/horizontal furnace return air filter application, as shown, features two 14" x 20" x 1" filter in the 17-1/2" wide furnace cabinets; or two 16" x 20" x 1" filter in the 21" and 24-1/2" wide furnace cabinets.



#### DOWNFLOW (Vertical) FILTER TABLE

REQUIRED FILTERS - DOWNFLOW	
CABINET WIDTH	FILTER QUANTITY & SIZE
17-1/2"	2 - 16" X 20" X 1"
21"	2 - 16" X 20" X 1"
24-1/2"	2 - 16" X 20" X 1"

# The problem solver.

A furnace is not a household appliance. It is complex and requires professional maintenance and repair.

That's why attempts at "do-it-yourself" repairs on an in-warranty unit may void the remainder of your warranty.

Other than performing the simple maintenance recommended in this manual, you should not attempt to make any adjustments to your furnace. Your dealer will be able to take care of any questions or problems you may have. A periodic inspection

of your furnace should be made by a qualified service agency at the start of each heating season.

## Keep your furnace looking like new for years.

Clean the enamel finish of your furnace with ordinary soap and water. For stubborn grease spots, use a household detergent. Lacquer thinner or other synthetic solvents may damage the finish.

## Save time and money. Before calling for service, check the following:

Problem	Possible Trouble	Possible Remedy
No Heating - Blower Does not operate	<ol style="list-style-type: none"> <li>1. Thermostat set incorrectly.</li> <li>2. Blown fuse or tripped circuit breaker.</li> <li>3. Defective component.</li> <li>4. Burner does not ignite.</li> <li>5. Main gas line turned off.</li> <li>6. Blower door removed or ajar.</li> <li>7. Lockout</li> </ol>	<ol style="list-style-type: none"> <li>1. Adjust thermostat See operating instructions</li> <li>2. Replace or reset protective device or call for servicer.</li> <li>3. Most controls are automatic and will recycle. If your unit still does not operate call for servicer.</li> <li>4. Call servicer.</li> <li>5. Have gas company check.</li> <li>6. Close door securely to restore power to blower and gas valve.</li> <li>7. Turn power on-off-on-off twice in 30 secs.</li> </ol>
Insufficient Heating - Blower operates continuously	<ol style="list-style-type: none"> <li>1. Dirty air filters.</li> <li>2. Blocked supply or return registers.</li> </ol>	<ol style="list-style-type: none"> <li>1. Clean or replace filters.</li> <li>2. Make sure registers are open and No obstacles blocking off the air.</li> </ol>
No Heat - Vent motor is running	Restricted or plugged furnace condensate drain.	<ol style="list-style-type: none"> <li>1. Remove drain clamps to condensate trap and drain pan outlet</li> <li>2. Flush or clear drain blockage.</li> <li>3. Reinstall clamps.</li> </ol>
<b>Unusual Noise</b>		<b>Call your servicer</b>

The following warning complies with State of California law, Proposition 65.

**WARNING:** This product contains fiberglass wool insulation! Fiberglass dust and ceramic fibers are believed by the state of California to cause cancer through inhalation. Glasswool fibers may also cause respiratory, skin, or eye irritation.

### PRECAUTIONARY MEASURES

- Avoid breathing fiberglass dust.
- Use a NIOSH approved dust/mist respirator.
- Avoid contact with the skin or eyes. Wear long-sleeved, loose fitting clothing, gloves, and eye protection.
- Wash clothes separately from other clothing; rinse washer thoroughly.
- Operations such as sawing, blowing, tear-out, and spraying may generate fiber concentrations requiring additional respiratory protection. Use the appropriate NIOSH approved respirator in these situations.

### FIRST AID MEASURES

- Eye Contact** - Flush eyes with water to remove dust. If symptoms persist, seek medical attention.
- Skin Contact** - Wash affected areas gently with soap and warm water after handling.

# Maintenance information.

**Never stop the cooling system by shutting off the main power.**

If the main power to your air conditioner is ever disconnected for more than three hours, turn off the thermostat. Then wait for at least three more hours after the power has been restored before turning the thermostat back on. Failure to follow this procedure could result in damage to your air conditioning system.

1. GENERAL INSPECTION - Examine the furnace installation for the following items:

- All flue product carrying areas external to the furnace (i.e. chimney, vent connector) are clear and free of obstruction.
- The vent connector is in place, slopes upward and is physically sound without holes or excessive corrosion.
- The return air duct connection(s) is physically sound, is sealed to the furnace and terminates outside the space containing the furnace.
- The physical support of the furnace should be sound without sagging, cracks, gaps, etc., around the base so as to provide a seal between the support and the base.
- There are no obvious signs of deterioration of the furnace.

The following warning complies with State of California law, Proposition 65.

## **WARNING:** Hazardous Gases!

Exposure to fuel substances or by-products of incomplete fuel combustion are believed by the State of California to cause cancer, birth defects, or other reproductive harm.

2. BLOWERS - The blower size and speed determine the air volume delivered by the furnace. The blower motor bearings are factory lubricated and under normal operating conditions usually do not require servicing. Annual cleaning of the blower wheel and housing is recommended for maximum air output, and this must be performed only by a qualified servicer or service agency.

3. IGNITER - This unit has a special hot surface direct ignition device that automatically lights the burners. Please note that it is very fragile and should be handled with care.

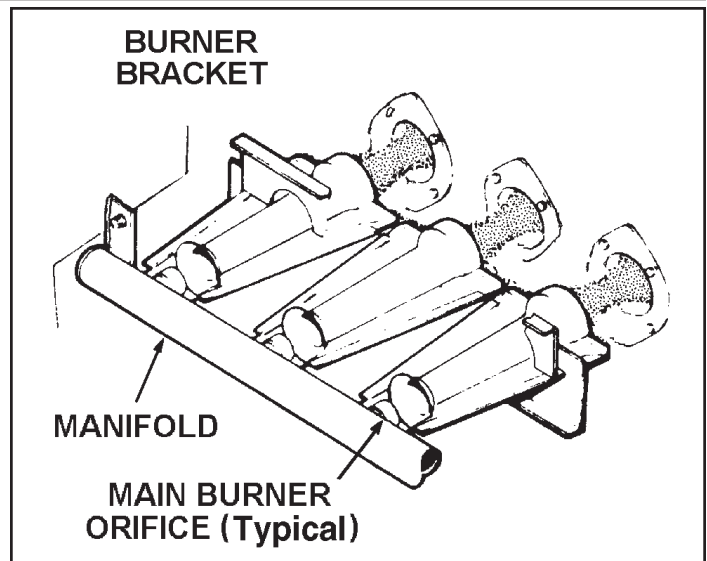
**CAUTION: Do not touch igniter. It is extremely hot.**

4. BURNER - Gas burners do not normally require scheduled servicing, however, accumulation of foreign material may cause a yellowing flame or delayed ignition. Either condition indicates that a service call is required. For best operation, burners must be cleaned annually using brushes and vacuum cleaner.

Turn off gas and electric power supply. To clean burners, remove top burner bracket and lift burner from orifice. **NOTE: Be careful not to break igniter when removing burners.** Clean burners with brush and/or vacuum cleaner. Reassemble parts by reversal of the above procedure.

*NOTE: On LP (propane) units, some light yellow tipping of the outer mantle is normal. Inner mantle should be bright blue.*

*Natural gas units should not have any yellow tipped flames. This condition indicates that a service call is required. For best operation, burners must be cleaned annually using brushes and vacuum cleaner.*



*NOTE: On LP (propane) units, due to variations in BTU content and altitude, servicing may be required at shorter intervals.*

5. HEAT EXCHANGER / FLUE PIPE - These items must be inspected for signs of corrosion, and/or deterioration at the beginning of each heating season by a qualified service technician and cleaned annually for best operation.

6. CIRCUIT PROTECTION - If blower or gas valve fail to operate, the cause could be the circuit breaker or a loose or blown fuse. Replace fuse or reset circuit breaker.

7. OPERATION - Your warm air furnace should not be operated in a corrosive atmosphere. Paint solvents, cleaning chemicals, spray propellants, and bleaches should not be used in the vicinity of the furnace during normal operation.

8. COOLING COIL CONDENSATE DRAIN - If you have a cooling coil installed with your furnace, condensate drains should be checked and cleaned periodically to assure that condensate can drain freely from coil to drain. If condensate cannot drain freely water damage could occur.

9. AIR CIRCULATION - To ensure increased comfort, blower on this unit may be operated continuously for both heating and cooling. This will result in constantly filtered air and aid in maintaining more even temperatures by avoiding temperature stratification throughout the conditioned area. To accomplish constant air circulation, set your thermostat fan switch to "ON".

**WARNING:**

Unit is equipped with a blower door switch which cuts power to blower and gas valve causing shutdown when door is removed. Unit must not be altered to allow operation with the blower door removed. Operation with doors removed or ajar can permit the escape of dangerous fumes. All panels must be securely closed at all times for safe operation of the furnace.

**WARNING:**

Should overheating occur, or the gas supply fail to shut off, shut off the manual gas valve to the furnace before shutting off the electrical supply.

In the event that electrical, fuel or mechanical failures occur, the owner should immediately turn off the gas supply at the manual gas valve located in the burner compartment and electrical power to the furnace and contact servicer.

**For your safety.**

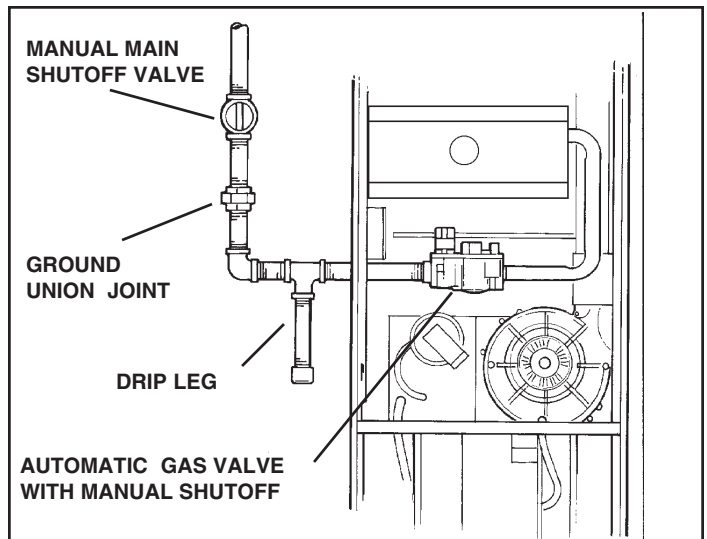
Furnace area must be kept clear and free of combustibile materials, gasoline, and other flammable vapors and liquids.

**Air for combustion and ventilation.**

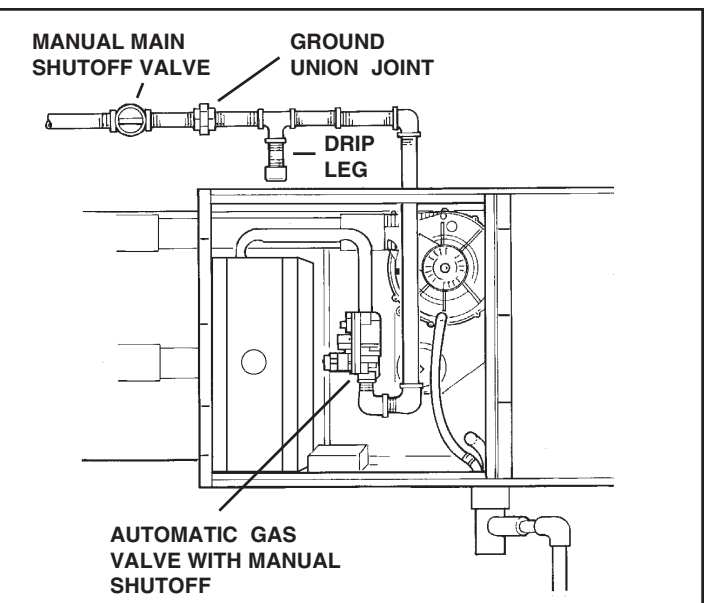
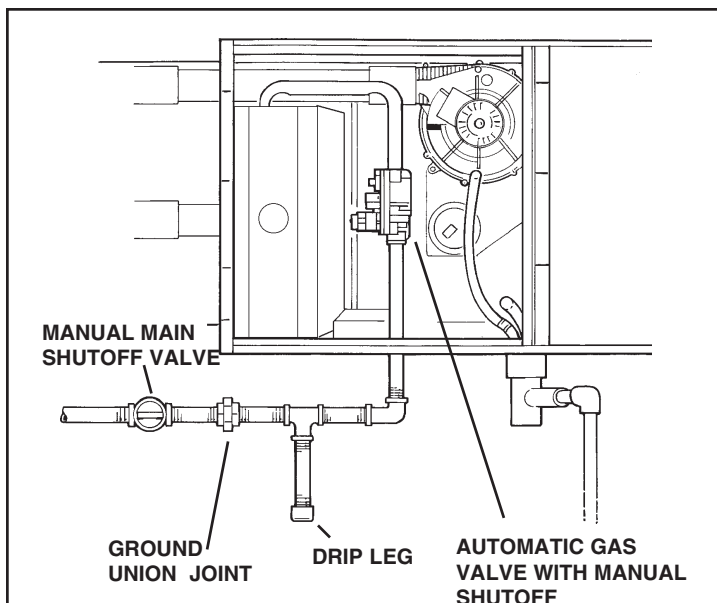
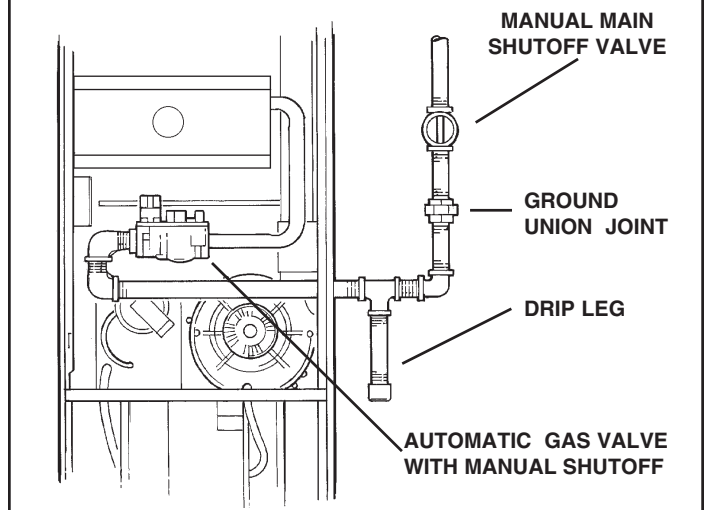
The flow of combustion and ventilating air must not be obstructed from reaching the furnace. Air openings provided in the casing of furnace must be kept free of obstructions which would restrict airflow, thereby affecting efficiency and safe operation of your furnace.

Also, air openings provided to the area in which the furnace is installed and the space around the furnace shall not be blocked or obstructed. Keep this in mind should you choose to remodel the area which contains your furnace. Furnaces must have air for proper performance.

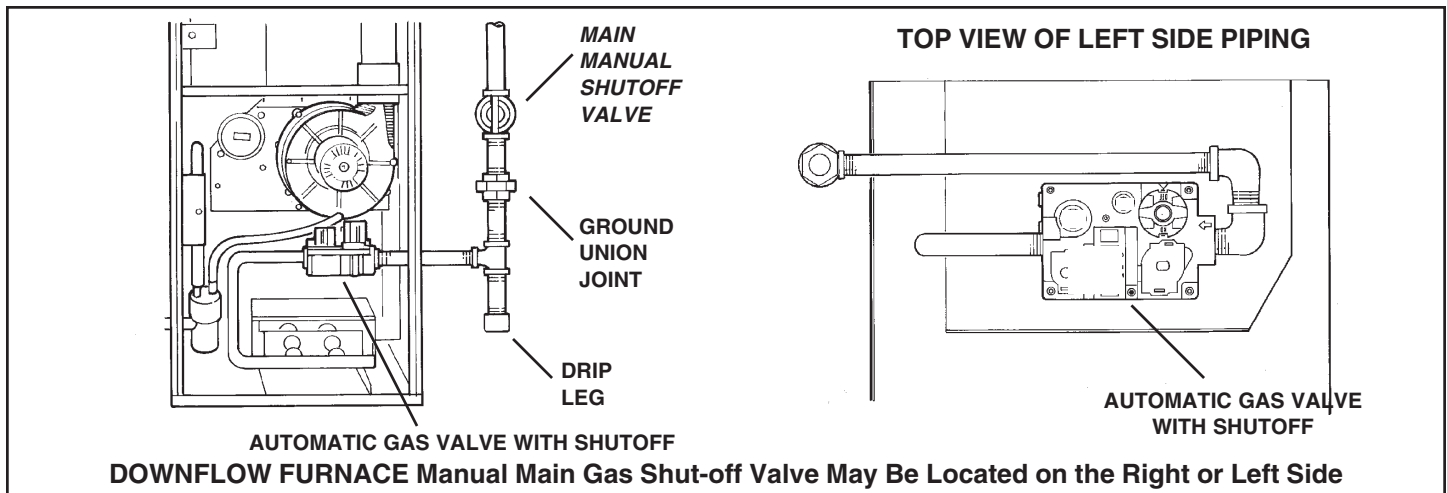
If additional insulation is added after the furnace is installed, the area around the furnace must be inspected to ensure it is free and clear of insulation. If this furnace is installed in an attic or other insulated space it must be kept free and clear of all insulating materials as some insulating materials are combustibile.



**Manual Main Gas Shut-off Valve May Be Located on the Left or Right Side**



**Manual Main Gas Shut-off Valve May Be Located on the Top or Bottom Side**



**NOTE THE LOCATION OF THE MANUAL MAIN GAS SHUTOFF VALVE FOR YOUR FURNACE.**  
Have your installer or servicer show you the location if you have any questions.

## To light furnace.

### Lighting instructions.

Your furnace is equipped with a hot surface direct ignition device.

### WARNING.

**Do not attempt to manually light the furnace.**

1. Please read all safety information in this book before operating furnace.
2. Set thermostat to lowest setting. Turn off all electric power to furnace.
3. Remove control access panel.
4. Turn gas cock knob on main gas valve with unit clockwise to "OFF" position. If external gas cock is used, turn to "OFF" position. Allow 5 minutes for any gas within the unit to escape. LP gas being heavier than air may require forced ventilation. If you smell gas STOP! Follow the "What To Do If You Smell Gas" instructions on the front cover of this book. If you don't smell gas, go to next step.
5. Turn gas cock knob counterclockwise to "ON" marker.
6. Replace control access panel.
7. Turn on main electrical supply and set thermostat to desired setting. Combustion blower will start and ignition device will start to heat up. After approximately 15 seconds main gas valve

will open and burners will ignite.

8. When thermostat is satisfied, main burners will extinguish.
9. If main burners fail to ignite, lower thermostat setting or disconnect electrical supply, wait 5 minutes, raise thermostat setting above indicated temperature.
10. If furnace will not light, turn "OFF" all gas and electricity to unit and call servicer or gas supplier.

### For complete shutdown.

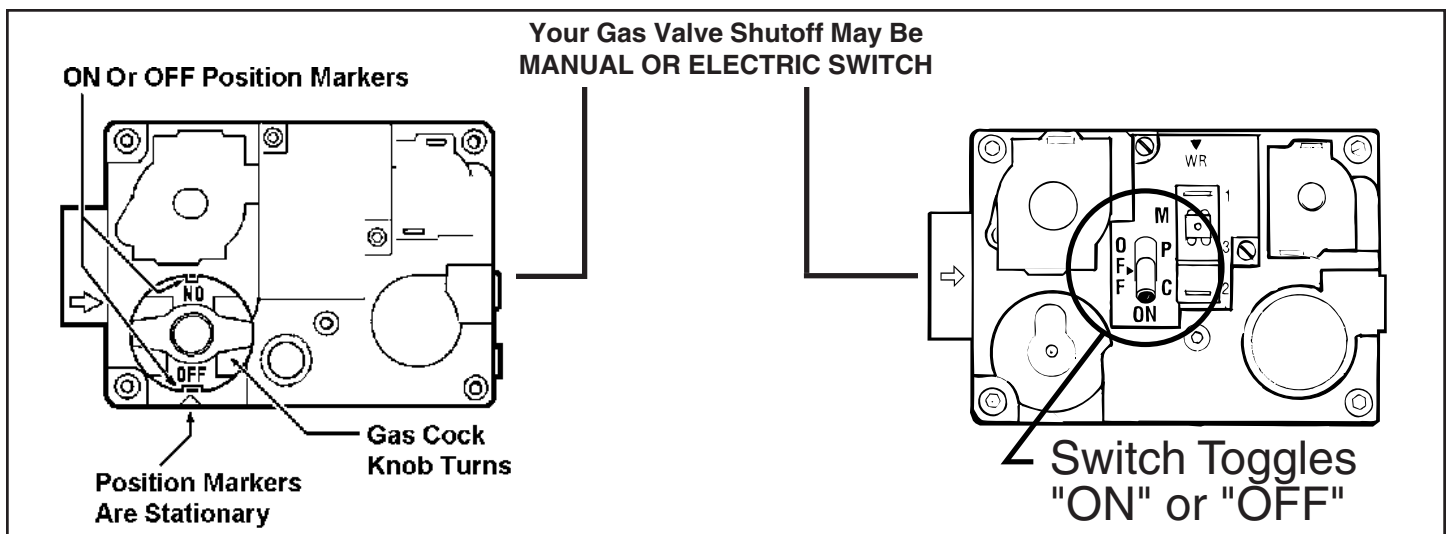
Turn gas cock knob on main gas valve to "OFF" position. Disconnect electrical supply to unit.

**CAUTION:** If this is done during the cold weather months, provisions must be taken to prevent freeze-up of all water pipes and water receptacles.

Whenever your house is to be vacant, arrange to have someone inspect your house for proper temperature. If your furnace should fail to operate, damage could result, such as frozen water pipes.

### Flame Roll-out Device.

All models are equipped with a fusible link located near the burners. In case of flame roll-out, the link will open (melt) and cause the circuit to open which shuts off all flow of gas.



**Limited Warranty**  
**High Efficiency Condensing Gas Furnace**  
**UC, DC, UX, DX, UY and DY**  
 (First letter may be preceded by an "A" or "T")  
 Models Less Than 20 Tons for Residential Use\*  
 (Parts Only)

This limited warranty is extended by American Standard Inc., to the original purchaser of the specified models for his or her lifetime under the conditions set forth below or to any succeeding owner for a period of twenty (20) years from the date of installation for the original owner. This limited warranty applies to products purchased and retained for use within the U.S.A. and Canada.

**Limited Warranty**

If any part of your furnace fails because of a manufacturing defect within five (5) years from the date of original purchase, Warrantor will furnish without charge the required replacement part F.O.B. nearest Parts Distribution point. Any local transportation, related service labor, air filters, and diagnosis calls, are not included.

**Limited Lifetime Warranty**

The primary and/or secondary heat exchanger when installed to serve a single family residence or single condominium is warranted to the original purchaser for use during his or her lifetime, provided the dwelling is the original purchaser's primary, uninterrupted residence from the date of purchase until discovery or notice of a defect in the primary heat exchanger or secondary heat exchanger. The heat exchanger is warranted to a successor purchaser for a period of twenty (20) years from the date of original installation of the furnace, subject to proof of original purchase. Warrantor WILL AT ITS OPTION provide either a heat exchanger including secondary heat exchanger without charge F.O.B. nearest Parts Distribution point, or allow a credit in the amount of the then current wholesale price of an equivalent heat exchanger toward the purchase price of a comparable heating unit. Any local transportation, related service labor, air filters, and diagnosis calls, are not included.

This limited warranty does not cover failure of your gas furnace if it is damaged while in your possession, failure attributable or caused by unreasonable use of the gas furnace and/or failure to properly maintain the gas furnace as set forth in the Use and Care manual. This limited warranty applies to product installed on or after 10/1/2001 where product is manufactured after 1/1/2000. This limited warranty is not retroactive to any installations prior to 10/1/2001 or on product produced prior to 2000.

**THE LIMITED WARRANTY AND LIABILITY SET FORTH HEREIN ARE IN LIEU OF ALL OTHER WARRANTIES AND LIABILITIES, WHETHER IN CONTRACT OR IN NEGLIGENCE, EXPRESS OR IMPLIED, IN LAW OR IN FACT, INCLUDING IMPLIED WARRANTIES OF MERCHANTABILITY AND FITNESS FOR PARTICULAR USE, AND IN NO EVENT SHALL WARRANTOR BE LIABLE FOR ANY INCIDENTAL OR CONSEQUENTIAL DAMAGES.**

Some states do not allow limitations on how long an implied limited warranty lasts or do not allow the exclusion or limitation of incidental or consequential damages, so the above limitation or exclusion may not apply to you. This limited warranty gives you specific legal rights, and you may also have other rights which vary from state to state. Parts will be provided by our factory organization through an authorized service organization in your area listed in the yellow pages. If you wish further help or information concerning this limited warranty, contact:

American Standard Inc.  
 Troup Highway  
 Tyler, TX 75711-9010  
 Attention: Manager, After Sales Support

GW-614-4001

\* This limited warranty is for residential usage of this equipment and not applicable when this equipment is used for a commercial application. A commercial use is any application where the end purchaser uses the product for other than personal, family or household purposes.

Extended warranties are available from the manufacturer through your dealer. The limited warranty is backed by the manufacturer and any representations made about extending the limited warranty would be backed by the manufacturer if and only if an extended warranty agreement was received *from the manufacturer*.

\_\_\_\_\_  
 Library  
 \_\_\_\_\_  
 Product Section  
 \_\_\_\_\_  
 Product  
 \_\_\_\_\_  
 Model  
 \_\_\_\_\_  
 Literature Type  
 \_\_\_\_\_  
 Sequence  
 \_\_\_\_\_  
 Date  
 \_\_\_\_\_  
 File No.  
 \_\_\_\_\_  
 Supersedes  
 \_\_\_\_\_



As an **ENERGY STAR** Partner, American Standard Inc., has determined that this product meets the **ENERGY STAR** guidelines for energy efficiency.

American Standard Inc.  
 6200 Troup Highway  
 Tyler, TX 75711-9010

10/2001  
 Pub. No. 32-5022-10



## Free Manuals Download Website

<http://myh66.com>

<http://usermanuals.us>

<http://www.somanuals.com>

<http://www.4manuals.cc>

<http://www.manual-lib.com>

<http://www.404manual.com>

<http://www.luxmanual.com>

<http://aubethermostatmanual.com>

Golf course search by state

<http://golfingnear.com>

Email search by domain

<http://emailbydomain.com>

Auto manuals search

<http://auto.somanuals.com>

TV manuals search

<http://tv.somanuals.com>