

**LIFETIME™ OVAL**

5-1/2' Whirlpool and Bathing Pool

**Model# 2645L (specify color)**

- Acrylic with fiberglass reinforcement
- Molded-in lumbar back rest
- Factory installed and tested whirlpool system
- 1.4 HP single speed, self-draining pump/motor
- Six adjustable Ideal Flow Comfort Jets™
- Side-mounted air switch On/Off
- Two air volume controls
- Factory installed and tested whirlpool system
- Self leveling feet
- Designed with undermount installation option

**Model# 2645LC:**

- Same as above with the EverClean™ whirlpool system. The EverClean™ antimicrobial system incorporates AlphaSan®, a patented antimicrobial agent manufactured right into the circulation system components, which suppresses the growth of unsightly algae, fungus, mold and mildew.

**Model# 2645L.002 Bathing Pool only**

**Nominal Dimensions:**

66" x 36" x 19-3/4"

(1676 x 914 x 502mm )

**Compliance Certifications -**

**Meets or Exceeds the Following Specifications:**

- Underwriters Laboratories - Hydromassage Bathtubs UL 1795
- ASME A112.19.7M for Whirlpool Appliances
- ANSI Z124.1 for Plastic Bathtubs
- ASTM E162 for Flammability
- NFPA 258 for Smoke Density



**To Be Specified - Required:**

- Color:
- Bath Filler: (specify finish)
- Bath Drain: 1583.470 (specify finish)  
**OR** 1599.500.020 (white only)

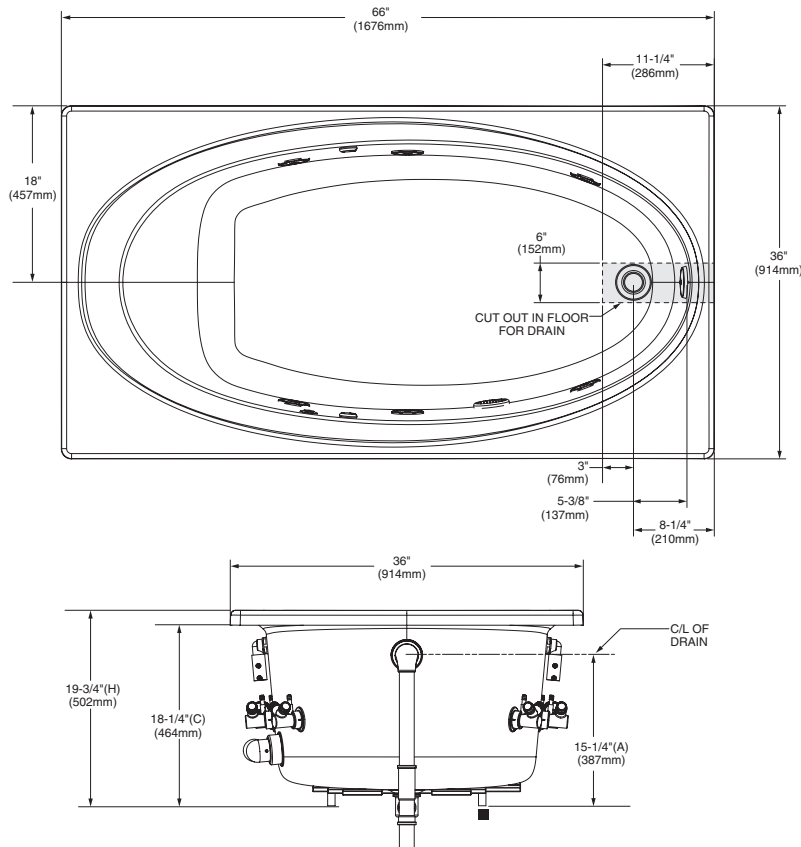
**To Be Specified - Optional:**

- 5-1/2 Foot Acrylic Apron: 9366.018.XX (specify color)
- 5-1/2 Foot Apron: 9266.018.XXX (specify color)

\* See American Standard Faucet Selector

SEE REVERSE FOR ROUGHING-IN DIMENSIONS  
AND PRODUCT SPECIFICATIONS

For color/finish availability and other faucet choices, please  
see the Product Selector and Pricing Guide.



DIMENSIONS OF FIXTURES ARE NOMINAL AND MAY VARY WITHIN THE RANGE OF TOLERANCES ESTABLISHED BY ANSI STANDARDS Z124.1 AND A112.19.7.

<b>GENERAL SPECIFICATIONS FOR 2645L BATHING POOL</b>	
INSTALLED SIZE	66 x 36 x 19-3/4 In. (1676 x 914 x 502mm)
WEIGHT	96 Lbs. (44 Kg.)
WEIGHT w/WATER	580 Lbs. (263 Kg.)
GAL. TO OVERFLOW	58 Gal. (219 L)
WHIRLPOOL MIN. OPERATING VOL.	42 Gal. (159 L)
BATHING WELL AT SUMP	49 x 26 In. (1245 x 660mm)
BATHING WELL AT RIM	62 X 32 In. (1575 x 813mm)
WATER DEPTH TO OVERFLOW	12-3/4 In. (324mm)
FLOOR LOADING (PROJECTED AREA)	35 Lbs./Sq.Ft. (171 Kgs./Sq.m)
<b>WHIRLPOOL ELECTRICAL SPECIFICATIONS</b>	
PUMP	1.4 HP, 9.7 AMPS, 120V.

**NOTES:**

BATH CAN BE INSTALLED EITHER ABOVE OR BELOW FLOOR LINE AS PIER, ISLAND, OR PENINSULA TYPE INSTALLATION. SUMP OF BATH IS SUPPORTED BY INTEGRAL FEET. NO ADDITIONAL SUPPORT REQUIRED. ENCLOSING MATERIAL BY OTHERS.

■ REFER TO INSTALLATION INSTRUCTIONS SUPPLIED WITH WHIRLPOOL FOR ADDITIONAL INFORMATION.

OPTIONAL APRON 9266.018 OR 9366.018 AVAILABLE AND MUST BE ORDERED SEPARATELY.

FITTINGS NOT INCLUDED AND MUST BE ORDERED SEPARATELY.

IF INSTALLING A DECK-MOUNTED FITTING, BEFORE DRILLING ANY HOLES: CHECK FOR INTERFERENCE WITH CIRCULATING SYSTEM PIPING, DRAIN OVERFLOW, AND APRON INSTALLATION. MOUNTING HOLES DRILLED BY INSTALLER.

PROVIDE SUITABLE REINFORCEMENT FOR ALL SUPPORTS.

**IMPORTANT:** Dimensions of fixtures are nominal and may vary within the range of tolerances established by ANSI Standard Z124.1. These measurements are subject to change or cancellation. No responsibility is assumed for use of superseded or voided pages.

## Free Manuals Download Website

<http://myh66.com>

<http://usermanuals.us>

<http://www.somanuals.com>

<http://www.4manuals.cc>

<http://www.manual-lib.com>

<http://www.404manual.com>

<http://www.luxmanual.com>

<http://aubethermostatmanual.com>

Golf course search by state

<http://golfingnear.com>

Email search by domain

<http://emailbydomain.com>

Auto manuals search

<http://auto.somanuals.com>

TV manuals search

<http://tv.somanuals.com>