

RAVENNA™ WALL-HUNG SEMI-PEDESTAL LAVATORY

- Vitreous china
- Contemporary design wall-hung with semi-pedestal P-trap cover for ease of cleaning
- Rear overflow
- Soap and accessory deck
- Optional with integral mounted towel bar (ordered separately)
- Supplied with mounting kit
- **Design matched to Ravenna toilets** (faucet shown not included)
- Faucet ledge with generous shelf area for accessories

- 0268.444** Faucet holes on 4" (102mm) centers (shown)
- 0268.888** Faucet holes on 8" (203mm) centers
- 0268.144** Center hole only

Nominal Dimensions:

24-1/4" x 19-1/2" x 34"
(616 x 495 x 864mm)

Separate Components:

- 0268.004** Lavatory slab 4" (102mm) centers
- 0268.008** Lavatory slab 8" (203mm) centers
- 0268.001** Lavatory slab center hole only
- 0044.000** Semi-pedestal leg

Recommended Components:

- 3520.000** Integral Towel Bar
002 Chrome, 295 Satin Nickel
- 738520-0070A** Towel Bar mounting kit

Bowl sizes:

19" (483mm) wide
12" (305mm) front to back
6" (152mm) deep

Compliance Certifications:

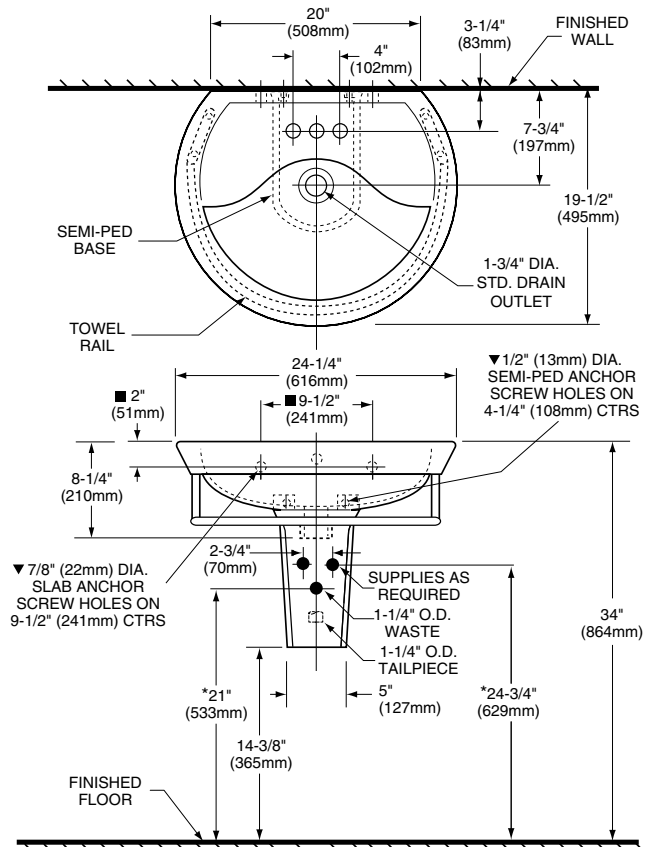
Meets or exceeds the following specifications:

- ASME A112.19.2 for vitreous china fixtures

To Be Specified:

- Color: White Bone Linen Black
- Faucet*:
- Faucet Finish:
- Supplies:
- 1-1/4" Trap

* See faucet section for additional models available



NOTES:
* DIMENSIONS SHOWN FOR LOCATION OF SUPPLIES AND "P" TRAP ARE SUGGESTED.

▼ PEDESTAL ANCHORING SCREWS NOT INCLUDED.

■ SUITABLE FOR REINFORCEMENT ONLY. ACTUAL DIMENSIONS MUST BE TAKEN FROM FIXTURE.

FITTINGS NOT INCLUDED AND MUST BE ORDERED SEPARATELY. PROVIDE SUITABLE REINFORCEMENT FOR ALL WALL SUPPORTS. INSTALLATION INSTRUCTIONS SUPPLIED WITH LAVATORY.

IMPORTANT: Dimensions of fixtures are nominal and may vary within the range of tolerances established by ANSI Standard A112.19.2. These measurements are subject to change or cancellation. No responsibility is assumed for use of superseded or voided pages.

Free Manuals Download Website

<http://myh66.com>

<http://usermanuals.us>

<http://www.somanuals.com>

<http://www.4manuals.cc>

<http://www.manual-lib.com>

<http://www.404manual.com>

<http://www.luxmanual.com>

<http://aubethermostatmanual.com>

Golf course search by state

<http://golfingnear.com>

Email search by domain

<http://emailbydomain.com>

Auto manuals search

<http://auto.somanuals.com>

TV manuals search

<http://tv.somanuals.com>