

1041.229.002 Shown.

GENERAL DESCRIPTION:

Cast brass body, washerless ceramic disc valve cartridge with back-to-back capability and hot limit safety stop. Cycles from off to hot through cold. Pressure balancing cartridge maintains constant output temperature in response to changes in relative hot and cold supply pressure. One-half inch female I.P.S. inlets and outlets. Easy Clean showerhead with 2.5 gpm/9.5L/min. flow restrictor. Rough-in plaster guard designed for use as thin-wall mounting adapter.

PRODUCT FEATURES:

Cast Brass Valve Body: Durable - Quality that will last a lifetime. Ideal material for prolonged contact with water.

Ceramic Disc Valve Cartridge: Assures a lifetime of smooth handle operation and drip-free performance.

Pressure Balancing Valve Cartridge: Maintains constant output temperature in response to changes in hot and cold supply pressure. Diaphragm system engineered to eliminate cross flow and spool "thumping". Avoids failure due to mineral deposits - ideal for use in hard water

Back-to-Back Capability: Hot and cold can be reversed quickly and easily.

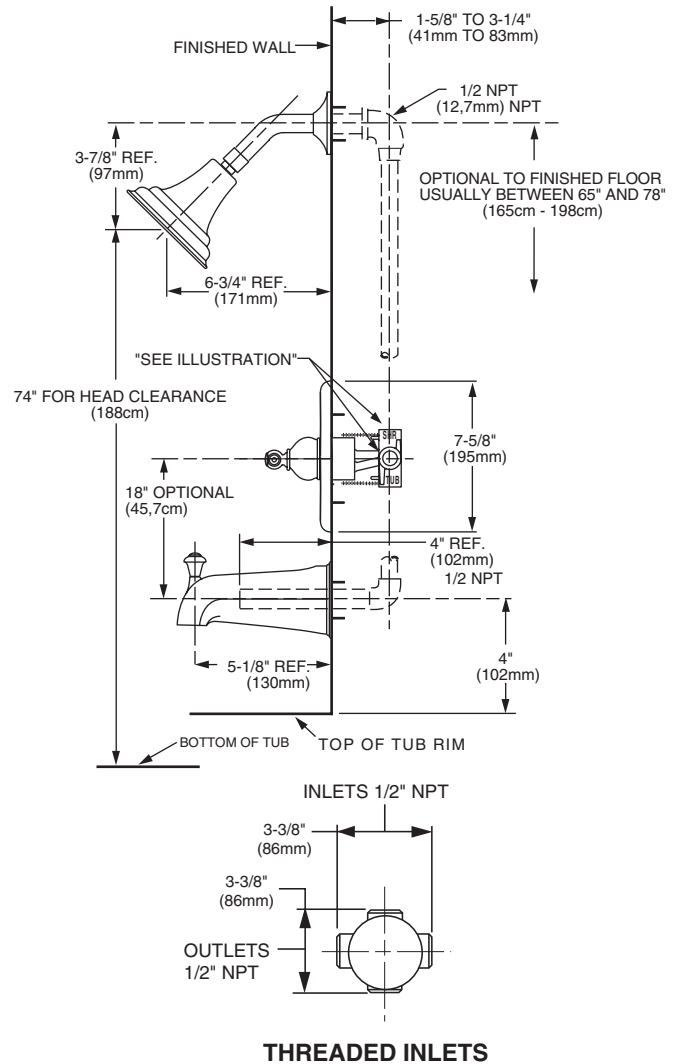
Adjustable Hot Limit Safety Stop: Limits the amount of hot water allowed to mix with cold. Reduces the risk of accidental scalding.

Integral Plaster Guard and Mounting Plate: Plaster guard is designed to protect valve during installation and serve as a mounting plate for thin-wall installations.

No Exposed Screws: Decorative dial plate conceals screws.

MODEL NUMBER:

- ☐ **1041.229.002 Pressure Balance Bath/Shower**
2 sets of handles (metal levers and porcelain levers). I.P.S. diverter spout. Polished Chrome finish.



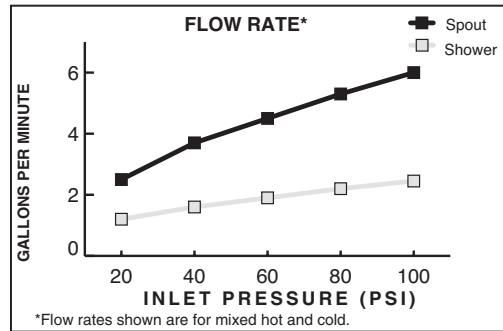
SUGGESTED SPECIFICATION:

Bath/shower fitting shall feature a cast brass body. Shall feature ceramic disc valve cartridge which is capable of back-to-back installation. Fitting shall be equipped with pressure balancing cartridge engineered to eliminate cross flow and avoid failure due to mineral deposits. Shall also feature hot limit safety stop and large "comfort zone" - 20 degrees temperature range for at least 45 degrees handle rotation. Fitting shall be American Standard Model # 1041.229.002.

CODES AND STANDARDS

These products meet or exceed the following codes and standards:

- ASSE 1016**
- ASME A112.18.1M**
- CSA B125**
- NSF14**



Product Number	Description
1041.229.002	Pressure Balance Bath/Shower. 2 sets of handles (metal lever and porcelain lever). I.P.S. diverter spout. Polished Chrome finish.



Meets the American Disabilities Act Guidelines and **ANSI A117.1** Requirements for the physically challenged.

Free Manuals Download Website

<http://myh66.com>

<http://usermanuals.us>

<http://www.somanuals.com>

<http://www.4manuals.cc>

<http://www.manual-lib.com>

<http://www.404manual.com>

<http://www.luxmanual.com>

<http://aubethermostatmanual.com>

Golf course search by state

<http://golfingnear.com>

Email search by domain

<http://emailbydomain.com>

Auto manuals search

<http://auto.somanuals.com>

TV manuals search

<http://tv.somanuals.com>