

American Standard Williamsburg™

TWO HANDLE SHOWER SETS

Thank you for selecting American-Standard...the benchmark of fine quality for over 100 years.

To ensure that your installation proceeds smoothly—please read these instructions carefully before you begin.

Installation Instructions

1042 SERIES

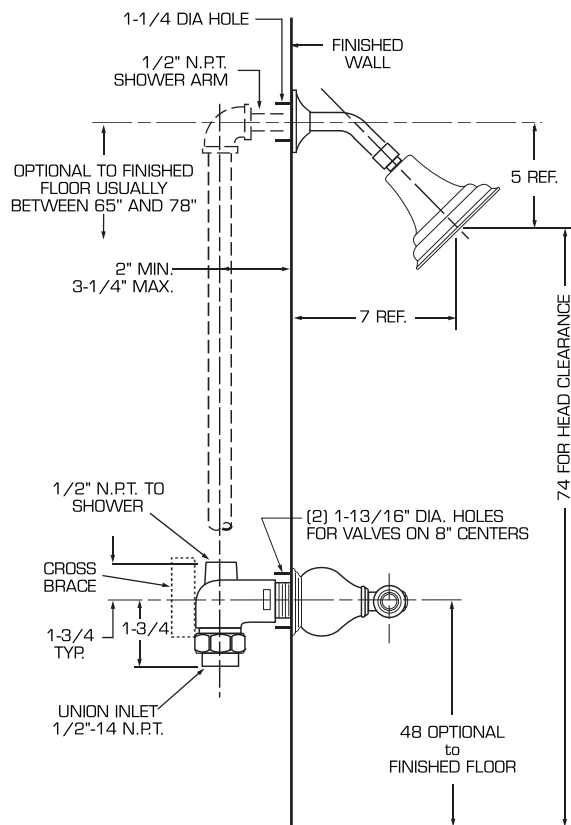


Certified to comply with ANSI A112.18.1M
U.S. Patent No. 5,819,789

US60357 REV. 1.1

ROUGHING-IN DIMENSIONS

NOTE: NO CONCEALED PIPING FURNISHED

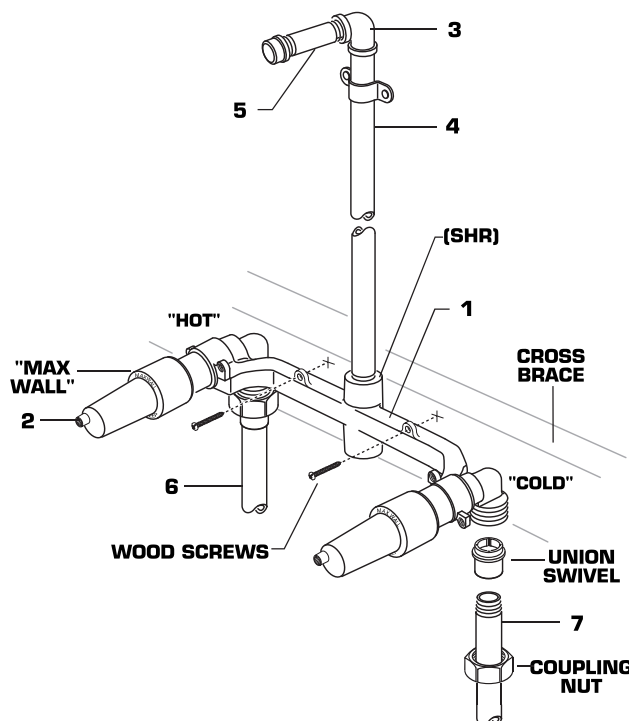


1 ROUGHING-IN SHOW ER

CAUTION Turn off hot and cold water supplies before beginning.

IMPORTANT: DO NOT REMOVE PLASTER GUARDS (2) UNTIL STEP 2.

- Prepare water supplies per Roughing-in Dimensions. Apply sealing tape to all threaded connections.
- Install VALVE (1) at indicated height and depth. Make sure the outlet for the shower is pointing upward. Mount VALVE (1) to cross brace with wood screws.
- Slip COUPLING NUT over supply pipe and thread UNION SWIVEL to pipe. Connect HOT (6) water supply to LEFT valve inlet and COLD (7) water supply to RIGHT valve inlet.
- Prepare SHOWER RISER (4) and ELBOW (3). Connect to TOP outlet, marked "SHR" of VALVE BODY (1).
- Add cross braces to wall structure and secure piping.
- Cap NIPPLE (5) and open supply lines and check for leaks. Remove PLASTER GUARDS (2). Use spline on end of PLASTER GUARD (2) to open both VALVES and check for leaks.
- Close both valves and turn off water supplies. Replace PLASTER GUARDS (2).
- Finish wall construction.



Recommended Tools



Phillips Screwdriver



Flat Blade Screwdriver



Plumbers' Putty or Caulking



Adjustable Wrench



Channel Locks

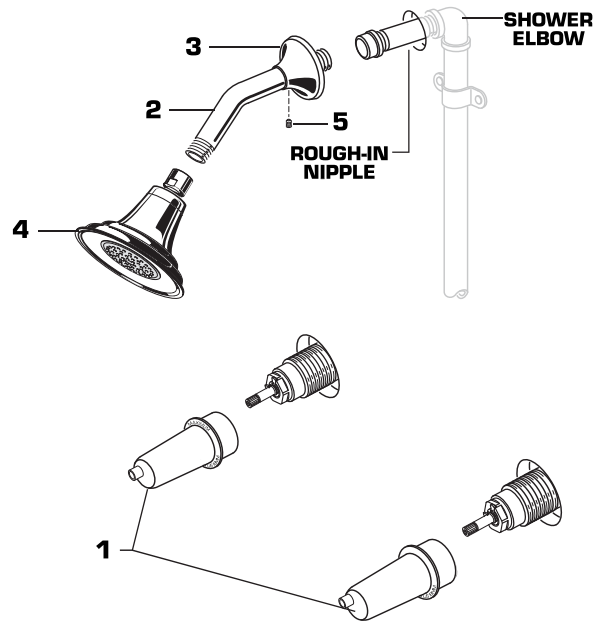
*Hex key Supplied with Fitting

2

INSTALL TRIM

NOTE; PROTECT FINISH ON SHOWER TRIM WHEN INSTALLING.

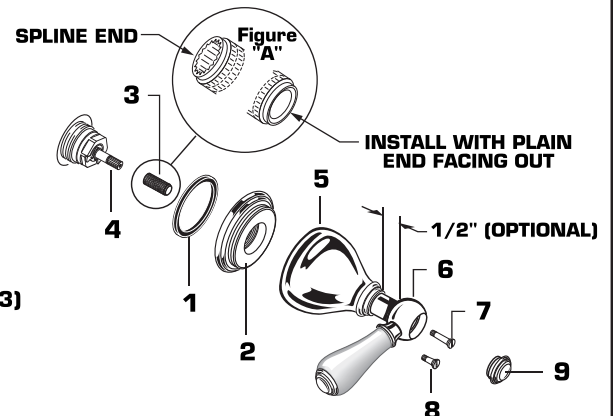
- Remove PLASTER GUARDS (1) from valve body by unthreading and pulling off.
- Remove rough-in nipple from shower elbow.
- Apply sealing tape to threads on both ends of SHOWER ARM (2) and install SHOWER ARM (2) with SHOWER ESCUTCHEON (3) into shower elbow.
- Thread SHOWER HEAD (4) onto end of SHOWER ARM (2). Push SHOWER ESCUTCHEON (3) against finished wall. Tighten SET SCREW (5).



3

INSTALL HANDLES

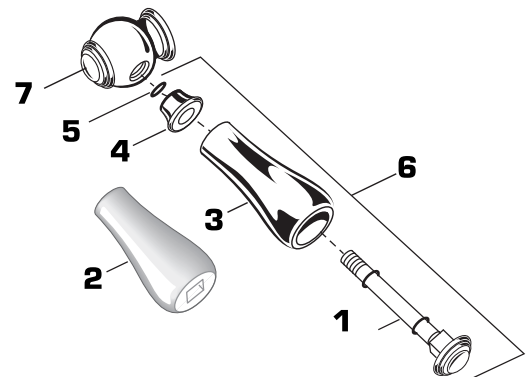
- Place RUBBER RING (1) into ESCUTCHEON (2) and thread ESCUTCHEON (2) onto valve until snug against the finished wall.
- Push ADAPTER (3) on VALVE STEM (4), so that the hole of the ADAPTER (3) without the spline is facing out. See figure "A".
- Thread HANDLE BASE (5) onto ESCUTCHEON (2).
- Push LEVER BALL (6) through HANDLE BASE (5) onto ADAPTER (3).
- Find correct position of LEVER BALL (6) by adjusting male teeth on ADAPTER (3) to female teeth on LEVER BALL (6).
- Secure LEVER BALL (6) with the longer HANDLE SCREW (7) which comes with the product.
- If cylindrical shaft of LEVER BALL (6) is visible for more than a 1/2 inch, you can reduce the length of LEVER BALL (6) protruding by flipping the ADAPTER (3) and using the small HANDLE SCREW (8) to secure the LEVER BALL (6).
- Push INDEX CAP (9) in hole of LEVER BALL (6).



4

INSTALLATION OF OPTIONAL METAL LEVER HANDLES (Supplied with Faucet)

- Thread PORCELAIN LEVER HANDLE (2) counter-clockwise and remove INDEX BUTTON with MOUNTING ROD ASSEMBLY (1), HANDLE COLLAR (4) and O-RING (5).
- Insert MOUNTING ROD ASSEMBLY (1) into METAL HANDLE (3), HANDLE COLLAR (4) and O-RING (5).
- Thread HANDLE ASSEMBLY (6) into ball of HANDLE BASE (7). Apply pressure to the MOUNTING ROD ASSEMBLY (1) while turning the HANDLE COLLAR (4), in order to tighten firmly.



US60357 REV. 1.1

5

TEST INSTALLED FAUCET

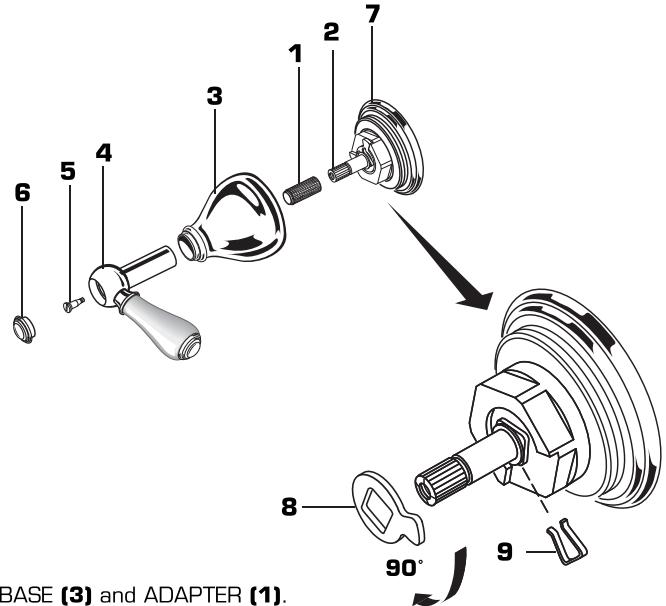
- Turn HANDLES **(1)** into "off" position.
- Turn on water supplies and check all connections for leaks.
- Operate both HANDLES **(1)** to flush water lines thoroughly. Check all connection for leaks.
- Turn handles **(1)** into OFF position.



6

SERVICE

- To change direction of handle rotation, proceed as follows: See illustration for reference.
 - Turn valve to OFF position.
 - Pull out INDEX CAP **(6)** and remove HANDLE SCREW **(5)**.
 - Pull off HANDLE **(4)** and unscrew porcelain ESCUTCHEON BASE **(3)**.
 - Remove ADAPTER **(1)** and SPRING CLIP **(9)**.
 - Lift STOP WASHER **(8)**, turn 90° and replace.
 - Replace SPRING CLIP **(9)**.
 - Reinstall ESCUTCHEON **(3)** and HANDLE ASSEMBLY.
- If spout drips, operate handles several times from OFF to ON position. Do not force - handles turn only 90°.



ALIGN HANDLES

- Pull out INDEX CAP **(6)** and remove HANDLE SCREW **(5)**, HANDLE BASE **(3)** and ADAPTER **(1)**.
- Push ADAPTER **(1)** on valve Stem **(2)**. Find correct position of HANDLE **(4)** by adjusting male teeth on ADAPTER **(1)** to female teeth on HANDLE **(4)**.
- Replace HANDLE SCREW **(5)** and push in INDEX CAP **(6)**.

7

CARE INSTRUCTIONS

DO: SIMPLY RINSE THE PRODUCT CLEAN WITH CLEAR WATER. DRY WITH A SOFT COTTON FLANNEL CLOTH.

DO NOT: CLEAN THE PRODUCT WITH SOAPS, ACID, POLISH, ABRASIVES, HARSH CLEANERS, OR A CLOTH WITH A COARSE SURFACE.

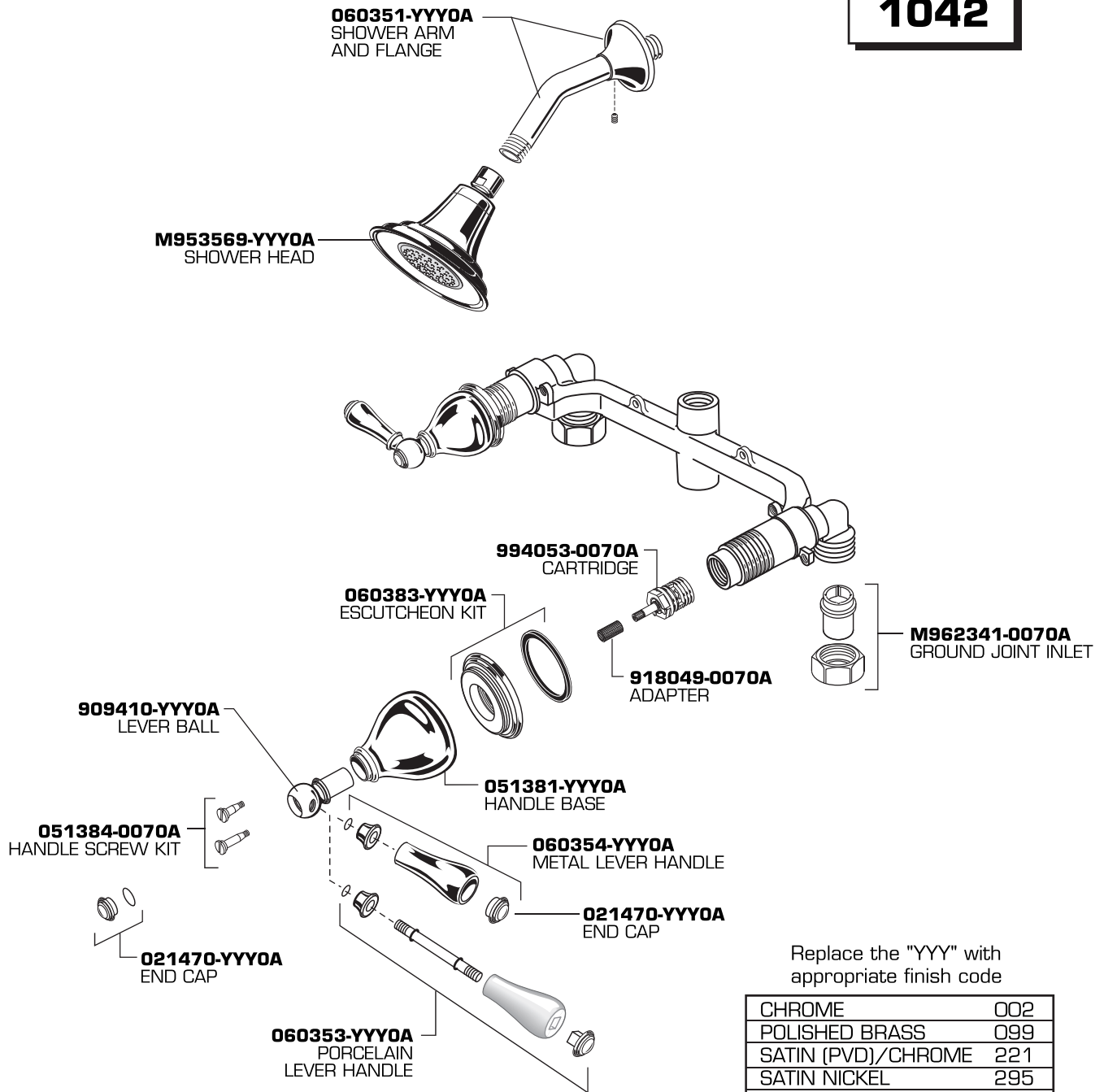
American Standard

Williamsburg™

**TWO HANDLE
SHOWER**

MODEL NUMBER

1042



Replace the "YYY" with appropriate finish code

CHROME	002
POLISHED BRASS	099
SATIN (PVD)/CHROME	221
SATIN NICKEL	295
SATIN/BRASS	297
CHROME/BRASS	299

Free Manuals Download Website

<http://myh66.com>

<http://usermanuals.us>

<http://www.somanuals.com>

<http://www.4manuals.cc>

<http://www.manual-lib.com>

<http://www.404manual.com>

<http://www.luxmanual.com>

<http://aubethermostatmanual.com>

Golf course search by state

<http://golfingnear.com>

Email search by domain

<http://emailbydomain.com>

Auto manuals search

<http://auto.somanuals.com>

TV manuals search

<http://tv.somanuals.com>