

FUSED DISCONNECT
OR CIRCUIT BREAKER

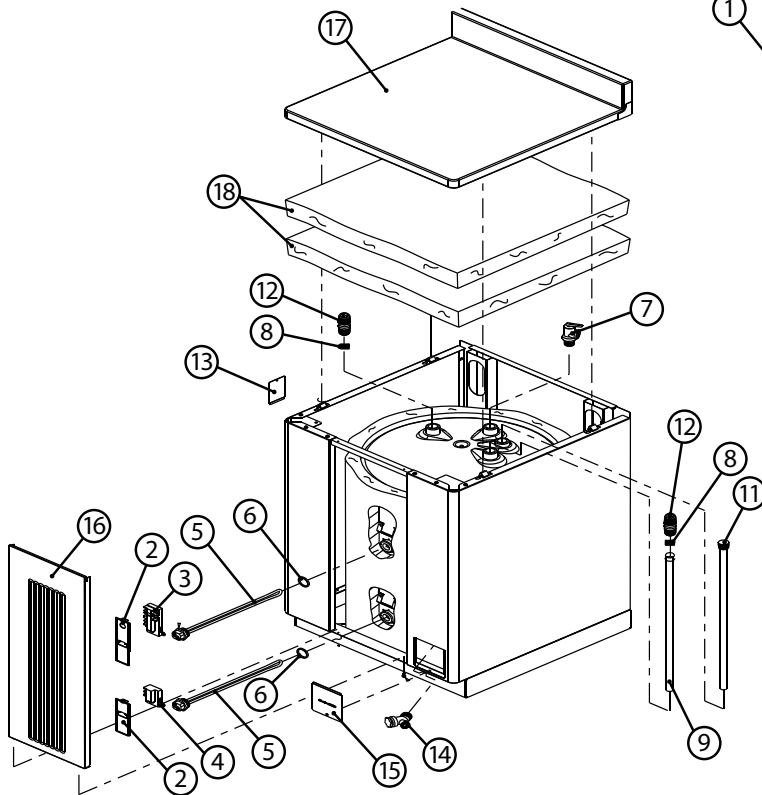
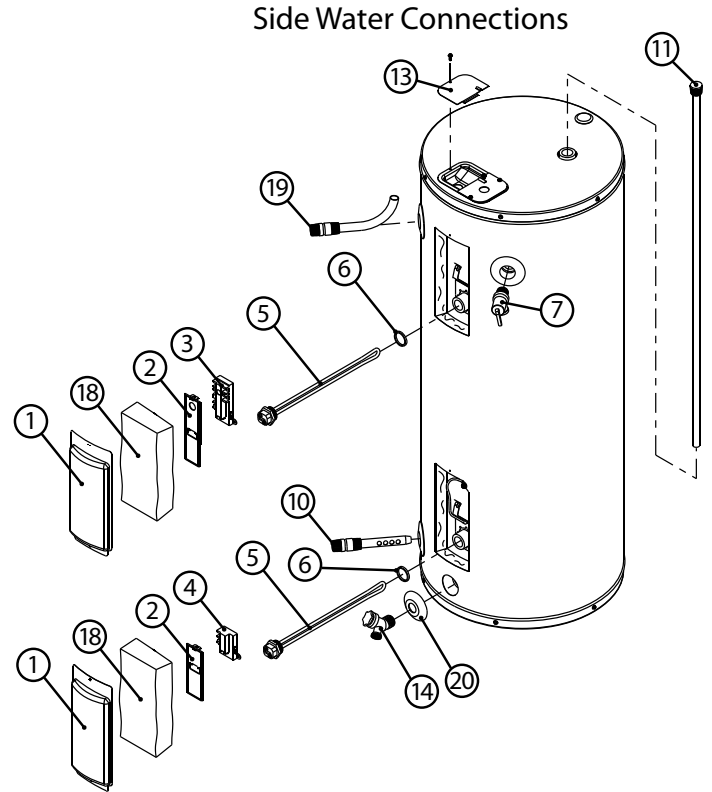
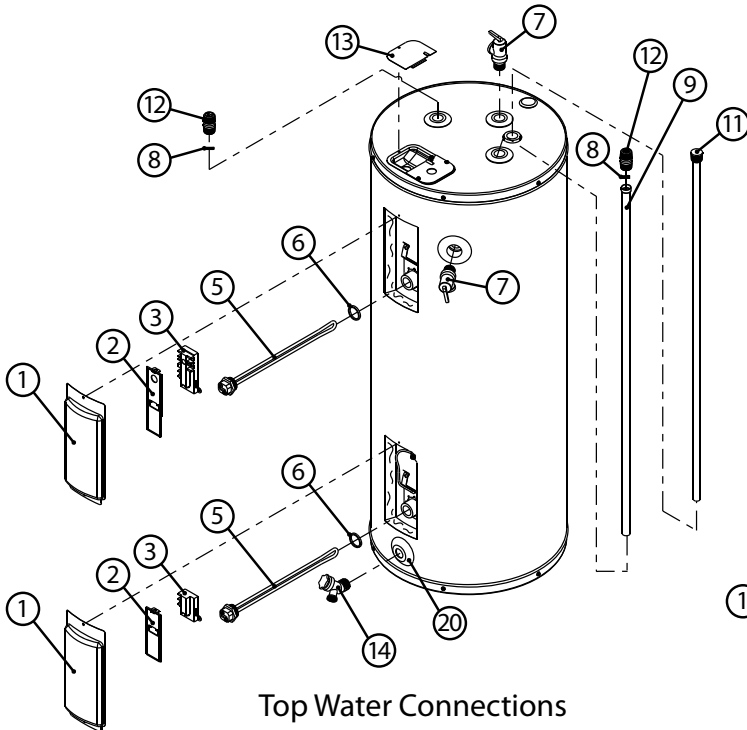
FUSED DISCONNECT
OR CIRCUIT BREAKER
HOT NEUTRAL

FUSED DISCONNECT
OR CIRCUIT BREAKER



Residential Electric Replacement Parts

Replacement Parts Illustration



Replacement Parts List

No.	Part Name and Description
1	Access Doors
2	Thermostat Covers
3	Upper Thermostat
4	Lower Thermostat
5	Element
6	Element Gasket
7	T&P Relief Valve
8	Heat Traps
9	Dip Tube
10	Nipple/Dip Tube Combo
11	Anode Rod
12	Nipple
13	Junction Box Cover
14	Drain Valve
15	Drain Access Panel
16	Front Panel
17	Top Panel
18	Insulation
19	Nipple/J-Tube Combo
20	Flange

Residential Electric Models with “E6”, “E9”, “E12” & “MHE” Prefixes (Except Utility “U” Models)

Item Number	Description	Part Number
1	Access Doors	2610109
2	Thermostat Cover (Upper & Single Element Heaters)	4810106
	Thermostat Cover (Double Element Heaters)	4810107
3 & 4	Upper Thermostat w/High Limit for Double Element Heaters	6900803
	Lower Thermostat for Double Element Heaters	6900802
	Single Element Thermostat for Single Element Heaters	6900804
5	Elements - Copper Screw-In with Gasket #4400032	
	5500 Watts/240 Volts (Model Suffix 055)	6900688
	4500 Watts/240 Volts (Model Suffix 045)	6900686
	3500 Watts/240 Volts (Model Suffix 035)	6900684
	2500 Watts/240 Volts (Model Suffix 025)	6900682
	2500 Watts/120 Volts (Model Suffix 025)	6900784
	1500 Watts/120 Volts (Model Suffix 015)	6900674
5	Elements - Incoloy Screw-In with Gasket #4400032	
	5500 Watts/240 Volts (Model Suffix 055)	6900706
	4500 Watts/240 Volts (Model Suffix 045)	6900704
	3500 Watts/240 Volts (Model Suffix 035)	6900707
	2500 Watts/240 Volts (Model Suffix 025)	6900708
6	Element Gasket	4400032
7	T&P Relief Valve 1" Cavity	6900745
	T&P Relief Valve 2" Cavity	6905041
	T&P Relief Valve 3" Cavity	6905042
8 & 12	Nipple Heat Traps	6900429
9	Dip Tube (E6x-30H/40R/50R Models)	4710720
	Dip Tube (E6x-40H/65H/80H/119R Models)	4710721
	Dip Tube (E61-19L Models)	4710728
	Dip Tube (E6x-xxL or T Models)	4710779
	Dip Tube (E9 or E12x-xxR Models)	4710830
	Dip Tube (E6x-50H; E9 or E12x-xxH Models)	4710831
10	Nipple/Dip Tube Combo (MHE Models)	4710827
11	Anode Rod (xxxx-30H/40R/50R Models)	4710180
	Anode Rod (xxxx-xxL or T Models)	4710176
	Anode Rod (xxxx-40H/50H/65H/80H/119R Models)	4710184
12	Nipples	6900801
14	Drain Valve	6900764
19	Nipple/J-Tube Combo (MHE Models)	4710828





Order Entry and Sales

500 Princeton Road (FedEx, UPS)
Johnson City, TN 37601-2030
P.O. Box 4056 (Mailing)
Johnson City, TN 37602-4056
Hours of Operation:
Monday-Friday 8:00 a.m. - 6:30 p.m. EST
(800) 937-1037 Fax: (800) 581-7224

Warranty and Service Support

500 Princeton Road (FedEx, UPS)
Johnson City, TN 37601-2030
P.O. Box 1597 (Mailing)
Johnson City, TN 37605

Residential Product Service and Support

Hours of Operation:
Monday 8:00 a.m. - 7:00 p.m. EST
Tuesday-Friday 8:00 a.m. - 8:00 p.m. EST
Saturday 9:00 a.m. - 6:00 p.m. EST
(800) 999-9515 Fax: (800) 999-5210

Commercial Product Service and Support

Hours of Operation:
Monday 8:00 a.m. - 7:00 p.m. EST
Tuesday-Friday 8:00 a.m. - 8:00 p.m. EST
Saturday - On Call
(800) 456-9805 Fax: (800) 999-5210

Warranty Claims

Hours of Operation:
Monday-Friday 8:00 a.m. - 5:00 p.m. EST
(800) 999-5052 Fax: (800) 999-5210

General Information

Hours of Operation:
Monday-Friday 8:00 a.m. - 5:00 p.m. EST
(423) 283-8000 Fax: (423) 283-8050

International Sales

Hours of Operation:
Monday-Friday 8:00 a.m. - 5:00 p.m. EST
(423) 283-8062 or (423) 283-8176
Fax: (423) 283-8137

Literature Fulfillment/Promotional Items

Hours of Operation:
Monday-Friday 8:00 a.m. - 5:00 p.m. EST
(423) 232-2477 Fax: (423) 232-2480

Credit/Collections

Hours of Operation:
Monday-Friday 8:00 a.m. - 5:00 p.m. EST
(423) 434-1681 Fax: (423) 975-2457

Visit our Website at
www.americanwaterheater.com

Free Manuals Download Website

<http://myh66.com>

<http://usermanuals.us>

<http://www.somanuals.com>

<http://www.4manuals.cc>

<http://www.manual-lib.com>

<http://www.404manual.com>

<http://www.luxmanual.com>

<http://aubethermostatmanual.com>

Golf course search by state

<http://golfingnear.com>

Email search by domain

<http://emailbydomain.com>

Auto manuals search

<http://auto.somanuals.com>

TV manuals search

<http://tv.somanuals.com>