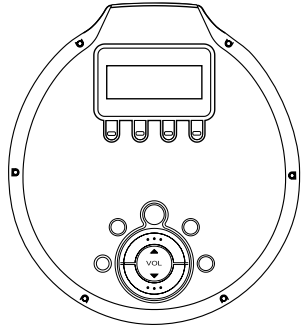


Portable MP3 CD Player



Operating Instructions

Before operating the unit, please read this manual thoroughly and retain it for future reference.

WARNING: TO PREVENT FIRE OR SHOCK HAZARD, THE CD PLAYER AND AC/DC ADAPTOR DO NOT EXPOSE TO RAIN OR MOISTURE. TO AVOID ELECTRICAL SHOCK, DO NOT OPEN THE CABINET. REFER SERVICING TO QUALIFIED PERSONNEL ONLY.

CAUTION

The use of optical instruments with this product will increase eye hazard.

INFORMATION (For the customers in USA)

This equipment has been tested and found to comply with the limits for a Class B digital device, pursuant to Part 15 of the FCC Rules. These limits are designed to provide reasonable protection against harmful interference in a residential installation. This equipment generates, uses and can radiate radio frequency energy and, if not installed and used in accordance with the instructions, may cause harmful interference to radio communications. However, there is no guarantee that interference will not occur in a particular installation. If this equipment does cause harmful interference to radio or television reception, which can be determined by turning the equipment off and on, the user is encouraged to try to correct the interference by one or more of the following measures:

- Reorient or relocate the receiving antenna.
- Increase the separation between the equipment and receiver.
- Connect the equipment into an outlet that is on a circuit different from the one the receiver is connected.
- Consult the dealer or an experienced radio / TV technician for help.

You are cautioned that any changes or modifications not expressly approved in this manual could void your authority to operate this equipment.

For the Customers in the United Kingdom / European countries

This Compact Disc player is classified as a CLASS 1 LASER product. The CLASS LASER PRODUCT label is located on the bottom exterior.

For the Customers in Canada

This apparatus complies with the Class B limits for radio noise emissions set out in radio interference regulations. This product contains a low power laser device.



DO NOT TOUCH THE LENS
CAUTION: INVISIBLE LASER
RADIATION WHEN OPEN AND
INTER LOCKS DEFEATED
AVOID EXPOSURE TO BEAM



PRECAUTIONS

On safety

As the laser beam used in this compact disc player may be harmful to the eyes, do not attempt to disassemble the casing. Refer servicing to qualified personnel only.

Do not put any foreign objects in the safety slot inside the disc compartment. If you do so, the laser beam may come out when the lid is opened.

Do not put any foreign objects in the DC in 6V (external power input) jack. Should any solid objects or liquid fall into the unit, disconnect the power supply and have the unit checked by qualified personnel before operating it any further.

On operation

Since the CD system offers a wide dynamic range, the peaks of the high level inputs are recorded with high fidelity, and the noise level is very low. **Do not turn up the volume while listening to a part of the disc with no audio signals or very low level inputs.** If you do so, the speakers may be damaged when the peak level of the sound is played. The lens on the disc table should be kept clean. Do not touch the lens or poke at it. If you do so, the lens may be damaged and the unit will not operate properly.

Notes:

- The normal function of the product may be disturbed by interference and shows error message, just reconnect the power source for resume normal operation.
- The CD player and adaptor shall not be exposed to dripping or splashing water and that no objects filled with liquids, such as vases, shall be placed on the apparatus.

On installation

- Never install the unit where it would be subject to:
- heat sources such as radiators or airducts.
 - direct sunlight.
 - excessive dust.
 - moisture or rain.
 - mechanical vibration or shock.
 - uneven surface.

- Do not place any heavy object on top of the unit.
- When the unit is used with an AC power adaptor, do not wrap the unit in a cloth, blanket, etc. If you do so, the temperature inside and outside the unit may rise considerably, resulting in malfunctioning of the unit or serious accidents.
- If the unit is brought directly from a cold to a warm location, or is placed in a very damp room, moisture may condense on the lens inside the unit. Should this occur, the unit will not operate. In this case, remove the disc and leave the unit in a warm place for several hours until the moisture evaporates.
- For the unit to operate at its best, it should not be subject to temperatures below 5° C (41° F) or above 35° C (95° F).

Notes on headphones / earphones

Do not use headphones / earphones while driving, cycling, or operating any motorized vehicle, it may create a traffic hazard and is illegal in some areas. It can also be potentially dangerous to play your headsets at high volume while walking, especially at pedestrian crossings. You should exercise extreme caution or discontinue use in potentially hazardous situations.

Avoid using headphones / earphone at high volume. Hearing experts advise against continuous, loud and extended play. If you experience a ringing in your ears, reduce volume or discontinue use. Keep the volume at a moderate level. This will allow you to hear outside sounds and to be considerate to the people around you. If you have any questions or problems concerning your unit, please consult your nearest dealer.

Notes:

- This unit can play Audio Discs including CD-Recordables and CD-Rewriteables. Do not try to play CD-ROMs, CD-Is, CDVs, or computer CDs.
- The unit may not play a CD-R/RW disc that is recorded on personal computers or some kinds of CD-R/RW recorders because of differences in recording platforms.
- Do not attach any seal or label to either side (the recordable side or the labeled side) of a CD-R/RW disc. It may cause malfunction.
- Do not use irregular shape CDs (example: heart-shaped, octagonal ones). It may result in malfunction.
- When a CD-RW is loaded, it takes about 15 seconds before it can be play-back.

IMPORTANT SAFETY INSTRUCTIONS

- 1. Read Instructions** - All the safety and operating instructions should be read before the appliance is operated.
- 2. Retain Instructions** - The safety and operating instructions should be retained for future reference.
- 3. Heed Warnings** - All warnings on the appliance and in the operating instructions should be adhered to.
- 4. Follow Instructions** - All operating and use instructions should be followed.
- 5. Water and Moisture** - The appliance should not be used near water - for example, near a bathtub, washbowl, kitchen sink, laundry tub, in a wet basement, or near a swimming pool, etc.
- 6. Ventilation** - The appliance should be situated so that its location or position does not interfere with its proper ventilation. For example, the appliance should not be situated on a bed, sofa, rug, or similar surface that may block the ventilation openings; or, placed in a built-in installation, such as a book case or cabinet, that may impede the flow of air through the ventilation openings.
- 7. Heat** - The appliance should be situated away from heat sources such as radiators, heat registers, stoves, or other appliances (including amplifiers) that produce heat.
- 8. Power Sources** - The appliance should be connected to a power supply only of the type described in the operating instructions or as marked on the appliance.
- 9. Grounding or Polarization** - Precautions should be taken so that the grounding or polarization means of an appliance are not defeated.
- 10. Power-Cord Protection** - Power-supply cords should be routed so that they are not likely to be walked on or pinched by items placed upon or against them, paying particular attention to cords at plugs, convenience receptacles, and the point where they exit from the appliance.
- 11. Cleaning** - The appliance should be cleaned only as recommended by the manufacturer.
- 12. Nonuse Periods** - The power cord of the appliance should be unplugged from the outlet when left unused for a long period of time.
- 13. Object and Liquid Entry** - Care should be taken so that objects do not fall, and liquids are not spilled into the enclosure through openings.
- 14. Damage Requiring Service** - The appliance should be serviced by qualified service personnel when:
 - A. The power-supply cord or the plug has been damaged; or
 - B. Objects have fallen, or liquid has been spilled into the appliance; or
 - C. The appliance has been exposed to rain; or
 - D. The appliance does not appear to operate normally or exhibits a marked change in performance; or
 - E. The appliance has been dropped, or the enclosure damaged.
- 15. Servicing** - The user should not attempt to service the appliance beyond that described in the operating instructions. All other servicing should be referred to qualified service personnel.

POWER SOURCE

Using with batteries

Insert two AA size batteries (LR6 or MN1500 alkaline) according to the "⊕" and "⊖" marks on the bottom exterior correctly aligned.

Notes on batteries

- Insert batteries with correct polarity.
- Do not mix old batteries together with new ones or different types of batteries.
- If the electrolyte inside the battery should leak, wipe the contaminated parts in the battery compartment with a cloth and replace the old batteries with new ones.
- When the unit is not to be used for a long period of time, remove the batteries.
- Do not mix ALKALINE, standard (CARBON-ZINC) or rechargeable (NICKEL-CADMIUM) batteries.

Notes on "■"

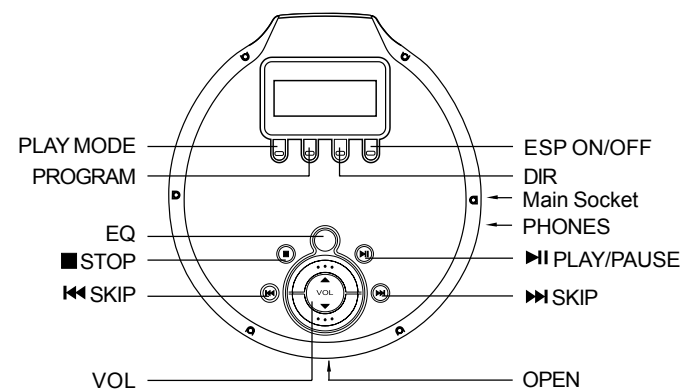
- During playback (batteries are in use), "■" is off.
- When the battery voltage level is low, "■" will display for approx. 10 ~15 minutes, playback still continues in this period.
- Playback would automatically come to a stop when the batteries have no more power. Replace all the batteries with new ones.
- "■" would not be on if an AC adaptor is used.

Using on house current

If the unit you purchased does not include an AC power adaptor, please use a 6V 350mA AC power adaptor. Plus pole "⊕" to the centre pin of the 3.5mm socket.

When the unit is not to be used, be sure to disconnect the AC power adaptor.

FUNCTION OF CONTROLS



PLAY MODE BUTTON

It changes playing mode as follows:

- Repeat One ->
- Repeat All ->
- INTRO ->
- SHUFF ->
- SHUFF All ->

PROGRAM BUTTON

It reserves songs to play in the program play mode.

EQ BUTTON

It changes EQ mode in play mode as below:
Normal -> Bass -> Train -> Live -> POP -> Jazz

■ STOP BUTTON

It activates stop mode from playing mode, activates standby mode. It clears all program memory in the program mode.

◀ SKIP/SEARCH BUTTON

It activates skip to previous track (or directory) and activates high-speed reverse search.

VOLUME BUTTONS

Adjust the volume.

ESP ON/OFF BUTTON (For CD playback only)

It activates/deactivates ESP functions by pressing ESP ON/OFF button. (Prevent sound skipping)

DIR

To search a file by directory level for MP3 disc.

Main Socket

DC IN 6V. For connecting the AC adaptor.

PHONES JACK

For connecting the headphones / earphones.

▶▶ PLAY/PAUSE BUTTON

It release standby mode, playing starts from stop mode. It toggles playing and pause.

▶▶ SKIP/SEARCH BUTTON

It activates skip to next track (or directory) and activates high-speed forward search.

OPEN KNOB

For opening the CD door.

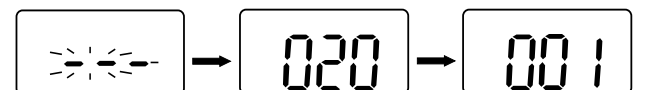
Note: The key tone will be heard while pressing the function buttons.

DISC PLAYING

1. Open the CD door with the "OPEN" knob.
2. Insert the CD with the printed side facing upwards and push the disc gently until it clicks so that the disc fits into the pivot.
3. Press the CD door to close.
4. Press the "▶▶" button to play.

On display windows

When you press "▶▶", the display window shows:



During play

The track number of the current selection appears. When "■" is pressed during play, total number of tracks on the disc will be displayed and the unit is still on. The unit will return to full stop mode automatically after approximately 30 seconds if no button is pressed again. Or press "■" button to stop the unit.

During pause

The current track will flash.



Pause mode of the second track

When no disc is inserted into the player and if "▶|I" is pressed, the display window shows "Err".

The unit can not be operated when the message is displayed. After approx. 30 seconds the unit will return to full stop mode, or reset the player by pressing "■" button and then insert a disc to start playing.

VARIOUS PLAYING MODES

During playback, each time the **PLAY MODE** button is pressed, the mode will be changed to the next one as follows:

NORMAL Play -> (ONE) **Repeat One** -> (ALL) **Repeat All** -> (INTRO) **Intro Scan** -> **SHUFF** -> (SHUFF) **SHUFF All**

NORMAL Play - Playing the whole disc
The CD is played once from beginning to end.

Repeat Play (Repeat One / Repeat All)

To repeat the same track
Press **PLAY MODE** during play until Repeat One "ONE" appears in the display window. Select the desired track to be played by pressing "◀◀" or "▶▶".



To repeat the whole disc
Press **PLAY MODE** during play until "ALL" appears in the display window.



INTRO Play - Playing the First Ten seconds of each track

1. Press **PLAY MODE** button during play until **INTRO** appears in the display window.



2. It starts **INTRO** play automatically (play each track for approx 10 second).

• Automatically **INTRO** play always starts from the track that immediately follows the current running one.

• By pressing "▶▶", "◀◀", you may start intro play from the selected track.

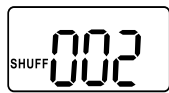


SHUFF Play - Playing the selections in random order

1. To shuffle

Press **PLAY MODE** button during play until **SHUFF** appears in the display window. After all tracks are played, the system will stop automatically.

• To locate the next track: press "▶▶". However, you can not locate a previous track even if you keep "◀◀" pressed.



2. To shuffle all

Press **PLAY MODE** button during play until "SHUFF" appears in the display window. All tracks will play without sequence repeatedly.

• To locate the next track: press "▶▶". However, you can not locate a previous track even if you keep "◀◀" pressed.

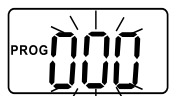


Notes:

- In any play mode, it starts running automatically after a few seconds without pressing "▶|I" button.
- "▶|I" button works during any play mode to hold or resume the current play mode.
- To cancel current play mode
 - Press **PLAY MODE** button during play to change play mode.
 - Press **PLAY MODE** button during play until it goes back to normal play.

Program Play - Playing the selections in the desired order (In stop mode only)

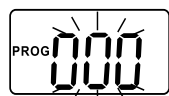
1. In stop mode, press the **PROGRAM** button, "000" will appear in the display window and flash.



2. Press "◀◀" or "▶▶" button to select the desired track.



3. Press the **PROGRAM** button to store this track in memory.



4. Repeat steps 2 and 3 to register other tracks.

5. Press the "▶|I" button to start play and "PROG" shows in the display window.



6. To stop program play, press the "■" button.

To Edit Program Play:

To check: Press **PROGRAM** button lightly during programming before you press "▶|I". Each time the **PROGRAM** button is pressed until the program number appears in the display window.

To add: To add additional tracks to your selection in stop mode, press "■" button first and then press **PROGRAM** button repeatedly until "000" appears in the display window. Repeat the above steps 2 and 3 to store additional tracks.

To change: When checking, press either "◀◀" or "▶▶" button to alter the track number for the program currently displayed. Press **PROGRAM** button to register the newly selected track into memory.

To delete: Open the CD door or press "■" button twice.

Notes:

- Repeat play can be performed during program play.
- The program is also erased when the disc compartment is opened or the auto power off function turns the power off.
- To cancel program operation, press "■" button once.

EQ FUNCTION

During playback, press **EQ** button to select different music mode. Each time the **EQ** button is pressed, the music mode will be changed to the next one as follows:

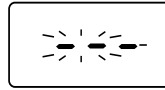
Normal (NORMAL) -> Bass (BASS) -> Train (TRAIN) -> Live (LIVE) -> POP (POP) -> Jazz (JAZZ)

MP3 - CD PLAYBACK

To play MP3-CDs

• This set can read CD, MP3 disc.

1. Place a MP3 disc with the label side up. Push the disc gently until it clicks so that the disc fits into the pivot.



2. Press the CD door to close.



3. Press "▶|I" to start playback.

The icon "---" and the total number of tracks will show on the display, and then the current track number appears on the display.



4. Press "■" button to stop playback.

Searching a track

- You can search a track in playback mode or stop mode.
- In stop mode, the display will show the total number of tracks.

1. Press "◀◀" or "▶▶" to search a track according to the desired direction, each press skips one track. During play, the first press on the skip backward "◀◀" button goes to the beginning of the current track.

2. In stop mode, press "▶|I" to start playback.

Searching a file by directory level

1. Press the **DIR** button to activate directory search mode. The word "DIR" appears on the display.

2. Press "◀◀" or "▶▶" to search a file and then the first track number in this file is displayed.

For example, total 50 tracks in MP3, 19 tracks (1-19) in the first file, 15 tracks (20-34) in the second file and 16 tracks (35-50) in the third file. Press "▶▶" button to the second file and "20" (the first track number in second file) appears on the display; Press "▶▶" button to the third file and "35" appears on the display.

4. Press **DIR** button again, the word "DIR" disappears. It goes back to the default mode.

5. Press "◀◀" or "▶▶" to search a desired track.

DIGITAL SKIP PROTECTION SYSTEM

With a conventional portable CD player, you might have experienced that the music stopped. e.g. When jogging the **ELECTRONIC SKIP PROTECTION** protects against loss of sound caused by vibrations and shocks.

- When start to play CD disc, press **ESP ON/OFF** button to activate the **ELECTRONIC SKIP PROTECTION** function, the "ESP" icon appears in the display window and the protection is activated.
- To cancel the **ELECTRONIC SKIP PROTECTION** function when play CD disc, press **ESP ON/OFF** button to turn off and the "ESP" icon disappears in the display window.
- The **ELECTRONIC SKIP PROTECTION** is default when play MP3 disc, cannot deactivate it by pressing the **ESP ON/OFF** button.

Note:

- When the **DIGITAL SKIP PROTECTION SYSTEM** is switched on or off, the sound will be interrupted for a short time. This is normal.

TROUBLE SHOOTING GUIDE

Should any problem persists after you have made the following checks, consult your nearest service facility.

Disc play does not start:

- The disc is inserted upside down or incorrectly. Insert the disc correctly with the label surface up.
- Dusty or defective disc.
- Dirty or dusty lens.
- The disc compartment lid is not closed.
- Moisture condensation -> Leave the unit in a warm place until the moisture evaporates.
- The AC power adaptor is not plugged into the wall outlet.
- The unit is not placed on a level surface.
- Weak batteries.

No sound from the headsets:

- The headphones / earphones plug is not firmly connected to the "PHONES" jack.
- Adjust the "VOL" control.
- Dirty plug.

Skipping of sound:

- Dirty or defective disc.
- Dirty lens.
- Strong vibration.

When using with batteries the battery life is short:

- Use alkaline batteries and not manganese batteries.

The unit can not be operated:

- No disc, dirty disc or scratched disc. The unit will return to full stop mode after approx. 30 seconds, or reset the player by pressing "■" and then insert a disc to start playing.
- When recording on CD-R discs, use 74-minute (650M) discs. Do NOT use 80-minute (700M) discs.
- The CD-R or CD-RW discs should be "finalized" in computer by "single section format".

MAINTENANCE

Cleaning the unit

Do not use volatile chemicals on this unit. Clean by lightly wiping with a soft cloth.

Cleaning CD

If the CD skips or will not play, the disc may need to be cleaned. Before playing, wipe the disc from the centre out with a clean cloth. After playing, store the disc in its case.

Handling the disc

Only touch the CD on the edge to avoid finger prints on its surface. Do not stick paper or tape, or write anything on the surface.

SPECIFICATIONS

Power requirements

2 "AA" size (LR6 or UM-3) alkaline batteries, or DC IN 6V, 350mA power adaptor
Polarity of plug

Operating voltage

AC100V 50/60Hz (Japan)
AC120V 60Hz (U.S.A, Canada)
AC220-240V 50Hz (Singapore, Malaysia & Thailand)
AC230V 50Hz (Chile)
AC230V-240V 50Hz (Europe)
AC240V 50Hz (Middle East & Australia)

We continually strive to improve our products, specifications may change without prior notice.

Free Manuals Download Website

<http://myh66.com>

<http://usermanuals.us>

<http://www.somanuals.com>

<http://www.4manuals.cc>

<http://www.manual-lib.com>

<http://www.404manual.com>

<http://www.luxmanual.com>

<http://aubethermostatmanual.com>

Golf course search by state

<http://golfingnear.com>

Email search by domain

<http://emailbydomain.com>

Auto manuals search

<http://auto.somanuals.com>

TV manuals search

<http://tv.somanuals.com>